



# **ML-75 Parts Manual**

## **24 VAC Phase 6**

### **1997/1998**

---

**American Dryer Corporation**  
88 Currant Road  
Fall River, MA 02720-4781  
Telephone: (508) 678-9000 / Fax: (508) 678-9447  
E-mail: [techsupport@amdry.com](mailto:techsupport@amdry.com)  
[www.amdry.com](http://www.amdry.com)

# Retain This Manual In A Safe Place For Future Reference

American Dryer Corporation products embody advanced concepts in engineering, design, and safety. If this product is properly maintained, it will provide many years of safe, efficient, and trouble-free operation.

*ONLY qualified technicians should service this equipment.*

**OBSERVE ALL SAFETY PRECAUTIONS** displayed on the equipment or specified in the installation manual included with the dryer.

The following “**FOR YOUR SAFETY**” caution **must be** posted near the dryer in a prominent location.

**FOR YOUR SAFETY**

Do not store or use gasoline or other flammable vapors or liquids in the vicinity of this or any other appliance.

**POUR VOTRE SÉCURITÉ**

Ne pas entreposer ni utiliser d'essence ni d'autres vapeurs ou liquides inflammables dans le voisinage de cet appareil ou de tout autre appareil.

We have tried to make this manual as complete as possible and hope you will find it useful. **ADC** reserves the right to make changes from time to time, without notice or obligation, in prices, specifications, colors, and material, and to change or discontinue models.

## Important

For your convenience, log the following information:

**DATE OF PURCHASE** \_\_\_\_\_ **MODEL NO.** ML-75

**RESELLER'S NAME** \_\_\_\_\_

**Serial Number(s)** \_\_\_\_\_

\_\_\_\_\_

\_\_\_\_\_

Replacement parts can be obtained from your reseller or the **ADC** factory. When ordering replacement parts from the factory, you can FAX your order to **ADC** at (508) 678-9447 or telephone your order directly to the **ADC** Parts Department at (508) 678-9000. Please specify the dryer **model number** and **serial number** in addition to the **description** and **part number**, so that your order is processed accurately and promptly.

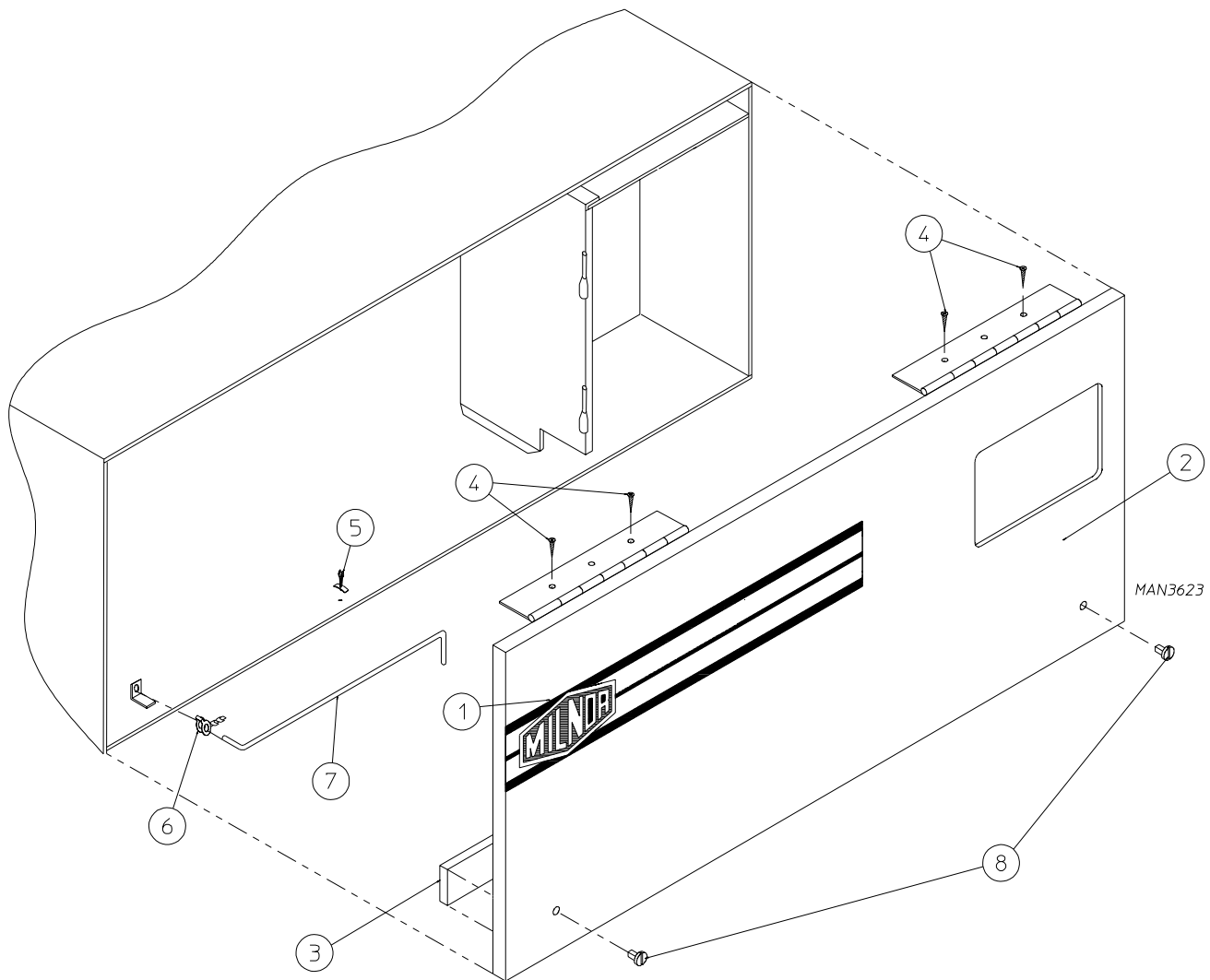
The illustrations on the following pages may not depict your particular dryer exactly. The illustrations are a composite of the various dryer models. Be sure to check the descriptions of the parts thoroughly before ordering.

**“IMPORTANT NOTE TO PURCHASER”**

Information **must be** obtained from your local gas supplier on the instructions to be followed if the user smells gas. These instructions **must be** posted in a prominent location near the dryer.

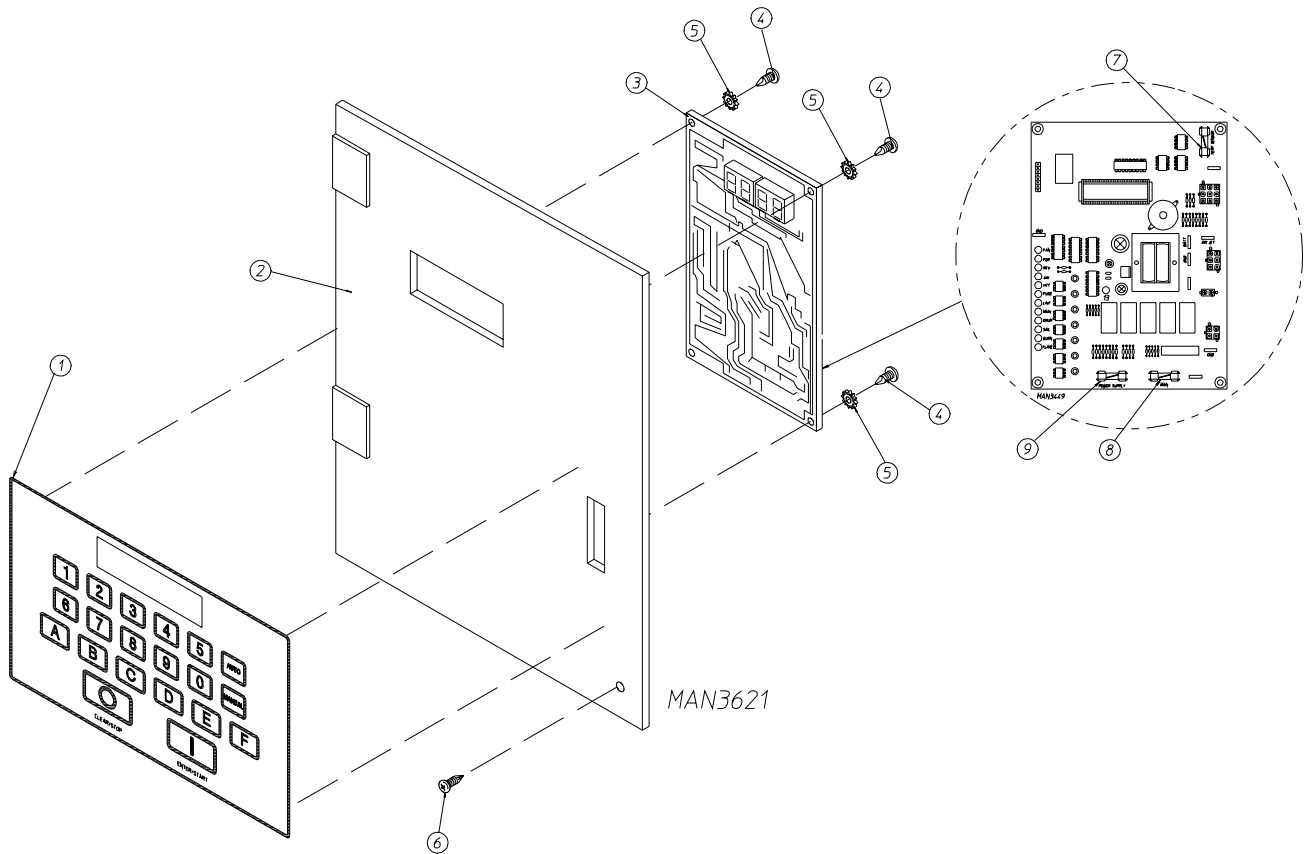
# ***Table of Contents***

|  |        |
|--|--------|
| Control Door Assembly .....  | 2      |
| Phase 6 OPL Microprocessor Control Panel Assembly .....                      | 3      |
| Microprocessor Control Box Assembly .....                                    | 4, 5   |
| Front Panel/Main Door Assemblies   |        |
| For Models Mfd. as of October 24, 1997 .....                                 | 6, 7   |
| Front Panel/Main Door Assemblies   |        |
| For Models Mfd. prior to October 24, 1997 .....                              | 8      |
| Main Door Switch   |        |
| For Models Mfd. as of October 24, 1997 .....                                 | 9      |
| Main Door Switch   |        |
| For Models Mfd. prior to October 24, 1997 .....                              | 10     |
| Drop Lint Door Assembly .....  | 11     |
| Lint Trap Assembly   |        |
| For Gas and Electric Models with 8" Exhaust .....                            | 12     |
| Lint Trap Assembly   |        |
| For Steam Models with 10" Exhaust .....                                      | 13     |
| Basket (Tumbler)/Support Assemblies .....                                    | 14     |
| Microprocessor Sensor Bracket Assembly .....                                 | 15     |
| Tumbler Bearing Assembly .....   | 16, 17 |
| Idler Bearing Assembly .....   | 18, 19 |
| Non-Reversing T.E.F.C. Motor Mount Assembly .....                            | 20, 21 |
| Reversing T.E.F.C. Motor Mount Assembly .....                                | 22, 23 |
| Direct Spark Ignition (DSI) Burner Assembly .....                            | 24, 25 |
| Hot Surface Ignition (HSI) Burner Assembly .....                             | 26, 27 |
| Electric Oven Assembly .....   | 28, 29 |
| Air Operated Steam Damper Assembly .....                                     | 30, 31 |
| Single-Phase (1 $\phi$ ) Motor, Electric Relay Panel Assembly .....          | 32, 33 |
| 3-Phase (3 $\phi$ ) Motor, Non-Reversing Electric Relay Panel Assembly ..... | 34, 35 |
| 3-Phase (3 $\phi$ ) Motor, Reversing Electric Relay Panel Assembly .....     | 36, 37 |
| Sail Switch Assembly .....   | 38     |
| Back Guard Assemblies  |        |
| For Gas and Electric Models ONLY .....                                       | 39     |
| Back Guard Assembly  |        |
| For Steam Models ONLY .....  | 40     |
| Electric Oven Component Application Chart .....                              | 41     |
| Step Down Transformer Usage Listing .....                                    | 42     |
| Additional Parts Available .....   | 43     |

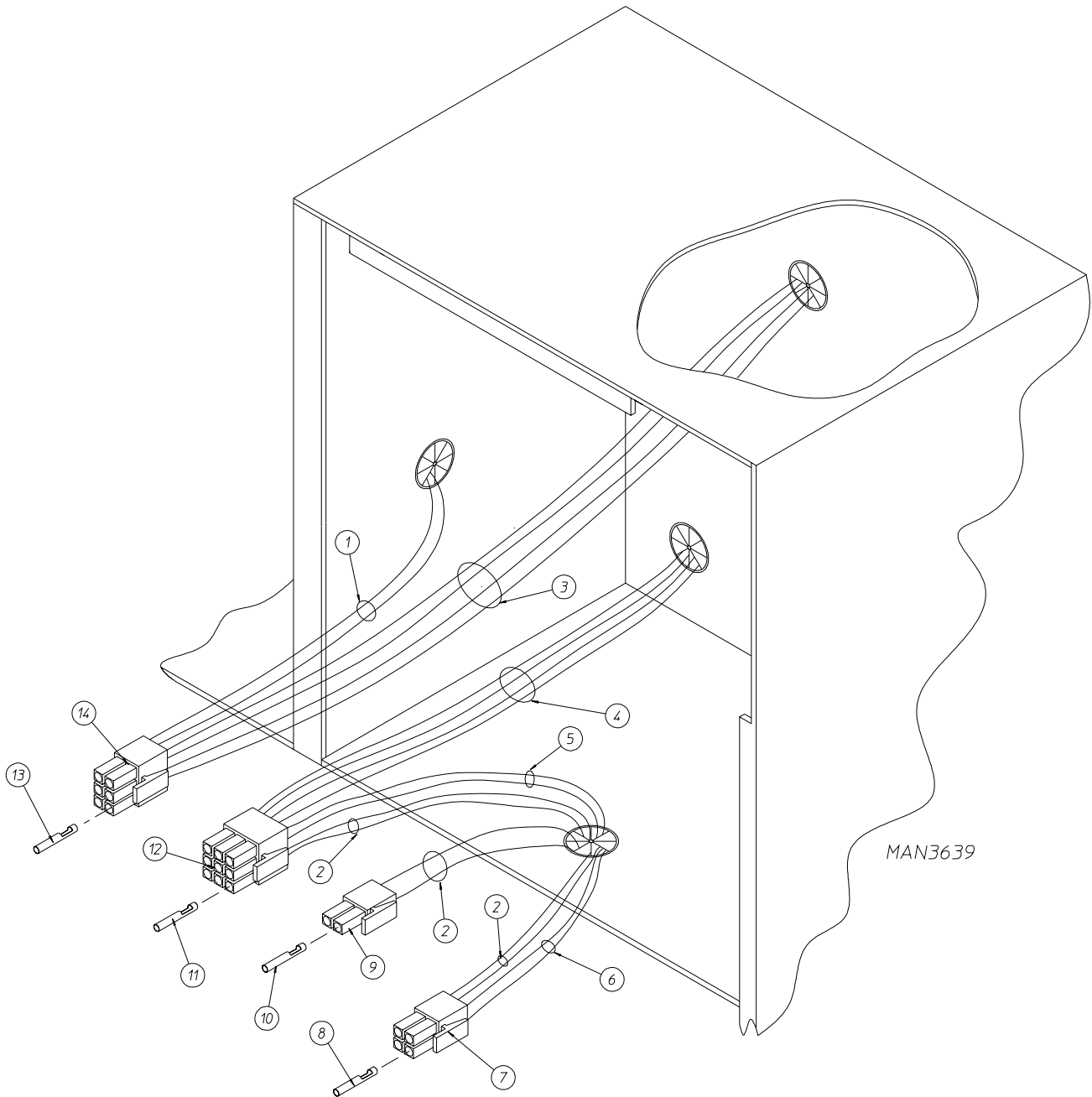


| <u>Illus. No.</u> | <u>Part No.</u> | <u>Qty.</u> | <u>Description</u>  |
|-------------------|-----------------|-------------|---|
| 1                 | 112366          | 1           | Logo ONLY   |
| 2*                | 881691          | 1           | Control Door Assembly<br>(includes illus. nos. 2, 3, 7, and 8)<br>For Models Mfd. as of October 24, 1997    |
|                   | 881045          | 1           | Control Door Assembly<br>(includes illus. nos. 2, 3, 7, and 8)<br>For Models Mfd. prior to October 24, 1997 |
| 3                 | 117600          | 4           | Noise Suppression Tape (sold by the foot)   |
| 4                 | 150309          | 4           | #10-16 x 1/2" Hex Head TEK Crimptite Screw  |
| 5                 | 102603          | 1           | Control Door Rod Support Catch  |
| 6                 | 102601          | 1           | Control Door Rod Retainer Clip  |
| 7                 | 102502          | 1           | Control Door Support Rod  |
| 8                 | 882541          | 2           | Spring Turn Latch (2-piece)   |

\* Specify color when ordering.

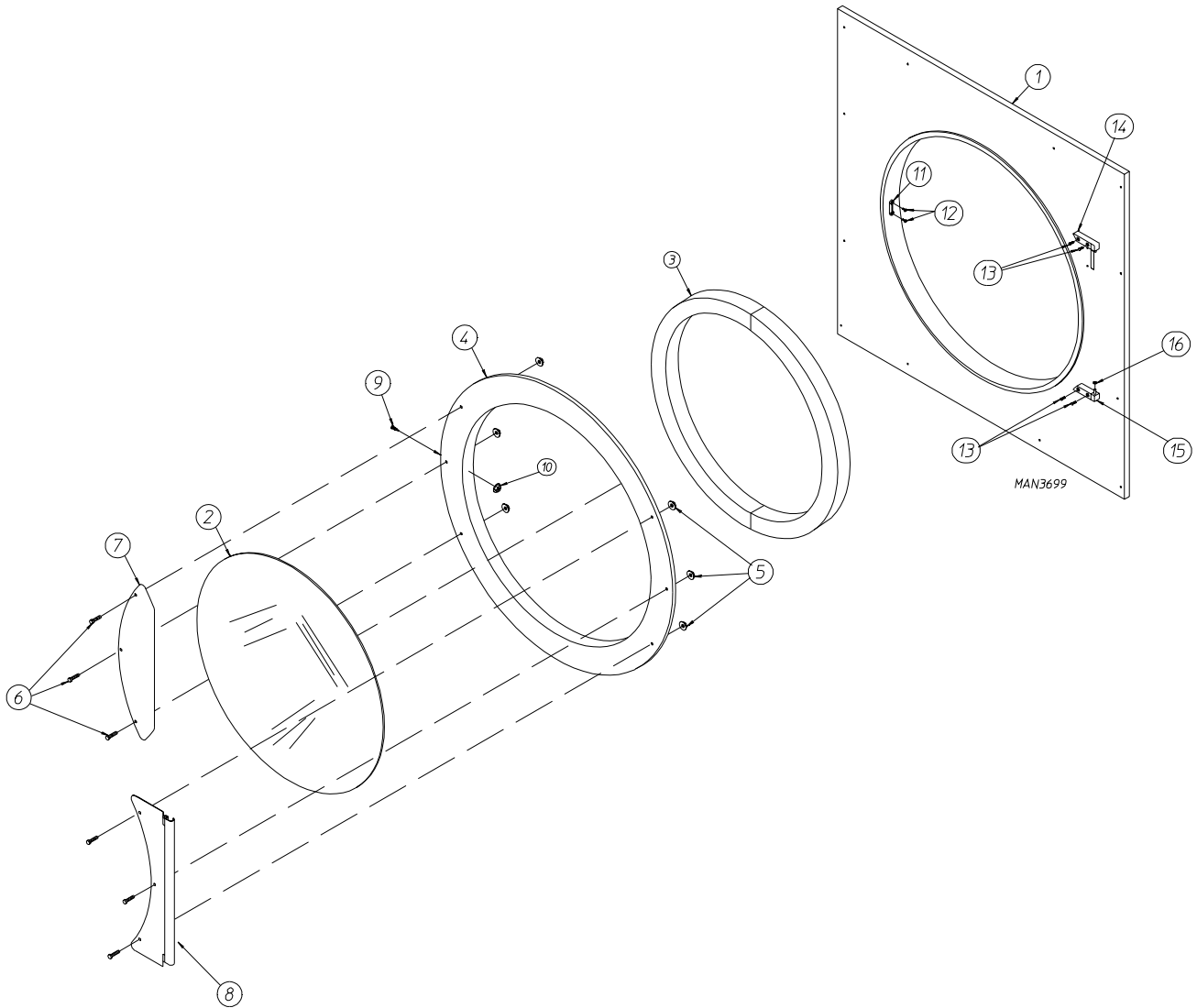


| Illus. No. | Part No. | Qty. | Description  |
|------------|----------|------|--|
| 1          | 112537   | 1    | Phase 6 OPL Keyboard   |
|            | 112276   | 1    | OPL Stick-on Labels<br>(English Only) ... Not Illustrated  |
|            | 112275   | 1    | OPL Stick-On Labels<br>(Spanish, Italian, and Hebrew) ... Not Illustrated  |
|            | 112277   | 1    | 3 Language OPL Stick-On Labels<br>(ENGLISH, SPANISH, and HEBREW) ... Not Illustrated                             |
|            | 112278   | 1    | 5 Language OPL Stick-On Labels<br>(ITALIAN, Dutch, French, German, and Chinese) ... Not Illustrated              |
| 2          | 881745   | 1    | Phase 6 Microprocessor Controller (computer) Panel ONLY  |
|            | 881747   | 1    | Phase 6 OPL Non-Reversing Computer Panel Assembly Complete<br>(includes illus. nos. 1 through 5 and 7 through 9) |
|            | 881746   | 1    | Phase 6 OPL Reversing Computer Panel Assembly Complete<br>(includes illus. nos. 1 through 5 and 7 through 9)     |
| 3          | 137123   | 1    | Phase 6 OPL Non-Reversing Microprocessor Controller ONLY   |
|            | 137122   | 1    | Phase 6 OPL Reversing Microprocessor Controller ONLY   |
| 4          | 150005   | 2    | #6-32 x 3/4" Phillips Round Head Machine Screw   |
| 5          | 153010   | 2    | #6 Star Washer   |
| 6          | 150309   | 1    | #10-32 x 1/2" Hex Head TEK Crimptite Screw   |
| 7          | 136048   | 1    | 1/8-Amp (slo blo) Fuse   |
| 8          | 136017   | 1    | 3.15-Amp (fast acting) Fuse  |
| 9          | 136019   | 1    | 1-Amp (fast acting) Fuse   |



---

| <u>Illus. No.</u> | <u>Part No.</u> | <u>Qty.</u> | <u>Description</u>   |
|-------------------|-----------------|-------------|--|
| 1                 | 881790          | 1           | Burner Control Wiring  |
| 2                 | 881789          | 1           | Basket (tumbler) Hi-Limit Temperature Sensor Harness               |
| 3                 | 881637          | 1           | Sail Switch Hi-Limit Harness                                       |
| 4                 | 881788          | 1           | Power Control Harness<br>(for non-reversing gas models Only)       |
|                   | 881787          | 1           | Power Control Harness<br>(for reversing gas models Only)           |
|                   | 881786          | 1           | Power Control Harness<br>(for reversing steam models Only)         |
| 5                 | 881785          | 1           | Door Switch Harness  |
| 6                 | 824993          | 1           | Rotational Sensor Harness<br>(front wiring box to rear wiring box) |
|                   | 824994          | 1           | Rotational Sensor Harness<br>(rear wiring box to sensor)           |
| 7                 | 122648          | 1           | 4-Pin Connector  |
| 8                 | 122706          | 4           | Socket Terminal ONLY   |
| 9                 | 122646          | 1           | 2-Pin Connector  |
| 10                | 122706          | 2           | Socket Terminal ONLY   |
| 11                | 122706          | 9           | Socket Terminal ONLY   |
| 12                | 122640          | 1           | 9-Pin Connector  |
| 13                | 122706          | 6           | Socket Terminal ONLY   |
| 14                | 122644          | 1           | 6-Pin Terminal   |



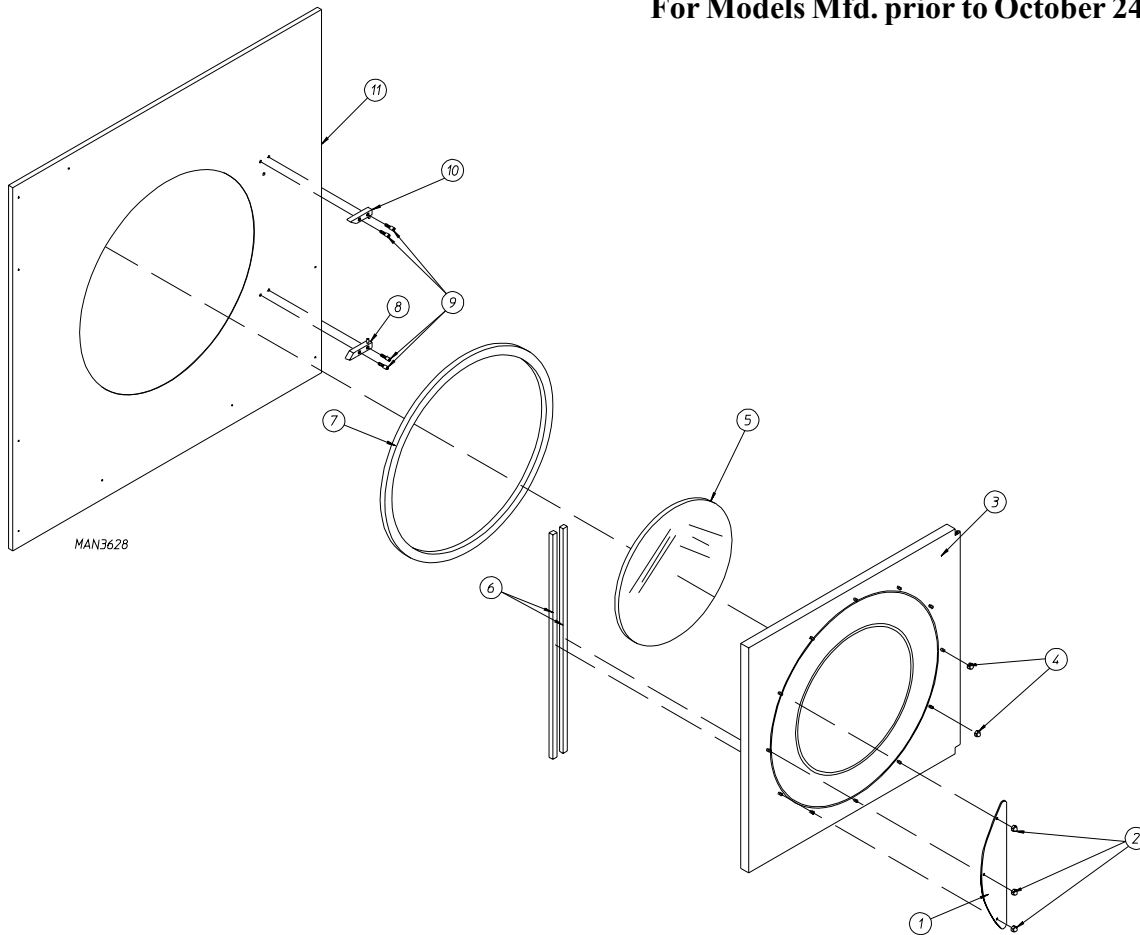


---

**For Models Mfd. as of October 24, 1997**

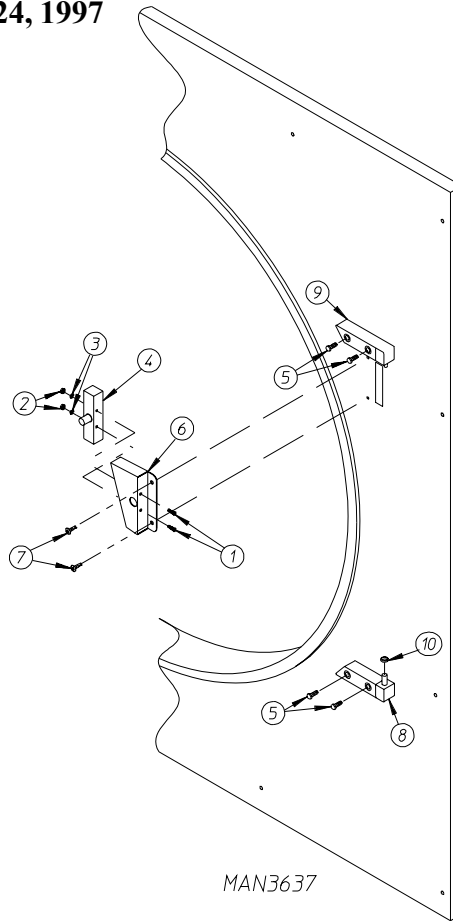
| <u>Illus. No.</u> | <u>Part No.</u> | <u>Qty.</u> | <u>Description</u>   |
|-------------------|-----------------|-------------|--|
| 1                 | 881871          | 1           | Front Panel Assembly (white)<br>(includes illus. nos. 1, 11, and 12)     |
|                   | 881697          | 1           | Front Panel Assembly (blue)<br>(includes illus. nos. 1, 11, and 12)      |
| 2                 | 102214          | 1           | 29-7/8" Door Glass   |
|                   | 170730          | 1           | Door Glass Adhesive (10.3 oz. cartridge)                                 |
| 3                 | 882411          | 1           | Main Door Extruded Gasket (104")   |
|                   | 170730          | 1           | Door Gasket Adhesive (10.3 oz. cartridge)                                |
| 4                 | 881689          | 1           | White Main Door Assembly Complete<br>(includes illus. nos. 2 through 10) |
|                   | 881738          | 1           | Blue Main Door Assembly Complete<br>(includes illus. nos. 2 through 10)  |
|                   | 881684          | 1           | White Main Door Ring   |
| 5                 | 881756          | 1           | Blue Main Door Ring  |
|                   | 881806          | 6           | 1/4-20 Free Spin Wash Nut (white)  |
| 6                 | 881807          | 6           | 1/4-20 Free Spin Wash Nut (blue)   |
|                   | 881740          | 6           | 1/4-20 x 5/8" (white) Carriage Bolt                                      |
| 7                 | 881739          | 6           | 1/4-20 x 5/8" (blue) Carriage Bolt                                       |
|                   | 881688          | 1           | White CRS Main Door Handle   |
| 8                 | 881737          | 1           | Blue CRS Main Door Handle  |
|                   | 881685          | 1           | White Main Door Hinge  |
| 9                 | 881757          | 1           | Blue Main Door Hinge   |
|                   | 150120          | 1           | Main Door Latch Screw  |
| 10                | 151012          | 1           | #10-32 White Acorn Nut   |
|                   | 151014          | 1           | #10-32 Blue Acorn Nut  |
| 11                | 170330          | 1           | Friction Door Catch  |
| 12                | 154215          | 2           | 5/32" Pop Rivet  |
| 13                | 150443          | 4           | 1/4-20 x 3/4" Stainless Steel Cap Screw                                  |
|                   | 881440          | 1           | White Top Hinge Block<br>(includes illus. nos. 13 and 14)                |
| 14                | 881736          | 1           | Blue Top Hinge Block<br>(includes illus. nos. 13 and 14)                 |
|                   | 881441          | 1           | White Bottom Hinge Block<br>(includes illus. nos. 13, 15, and 16)        |
| 15                | 881735          | 1           | Blue Bottom Hinge Block<br>(includes illus. nos. 13, 15, and 16)         |
|                   | 153031          | 1           | Nylon Washer   |

For Models Mfd. prior to October 24, 1997



| Illus. No. | Part No. | Qty. | Description  |
|------------|----------|------|--|
| 1          | 881741   | 1    | White Main Door Handle   |
|            | 881760   | 1    | Blue Main Door Handle  |
| 2          | 151011   | 3    | 5/16-18 Acorn Nut  |
| 3          | 881552   | 1    | White Main Door ONLY   |
|            | 881550   | 1    | Blue Main Door ONLY  |
|            | 881816   | 1    | White Main Door Assembly<br>(includes illus. nos. 1 through 7) |
|            | 881820   | 1    | Blue Main Door Assembly<br>(includes illus. nos. 1 through 7)  |
| 4          | 151011   | 9    | 5/16-18 Acorn Nut  |
| 5          | 102210   | 1    | 20-7/16" Door Glass  |
|            | 170730   | 1    | Door Glass Adhesive (10.3 oz. cartridge)                       |
| 6          | 102112   | 2    | Door Magnet (5/16" x 1/4" x 34-3/4")                           |
| 7          | 102356   | 1    | Main Door Gasket (13-1/6" x 1-3/8" x 97-1/2")                  |
| 8          | 881441   | 1    | White Bottom Hinge Block with Stainless Steel Cap Screw        |
|            | 881735   | 1    | Blue Bottom Hinge Block with Stainless Steel Cap Screw         |
| 9          | 150443   | 4    | 1/4-20 x 3/4" Stainless Steel Cap Screw                        |
| 10         | 881440   | 1    | White Top Hinge Block with Stainless Steel Cap Screw           |
|            | 881736   | 1    | Blue Top Hinge Block with Stainless Steel Cap Screw            |
| 11         | 881799   | 1    | White Front Panel Assembly                                     |
|            | 881920   | 1    | Blue Front Panel Assembly                                      |

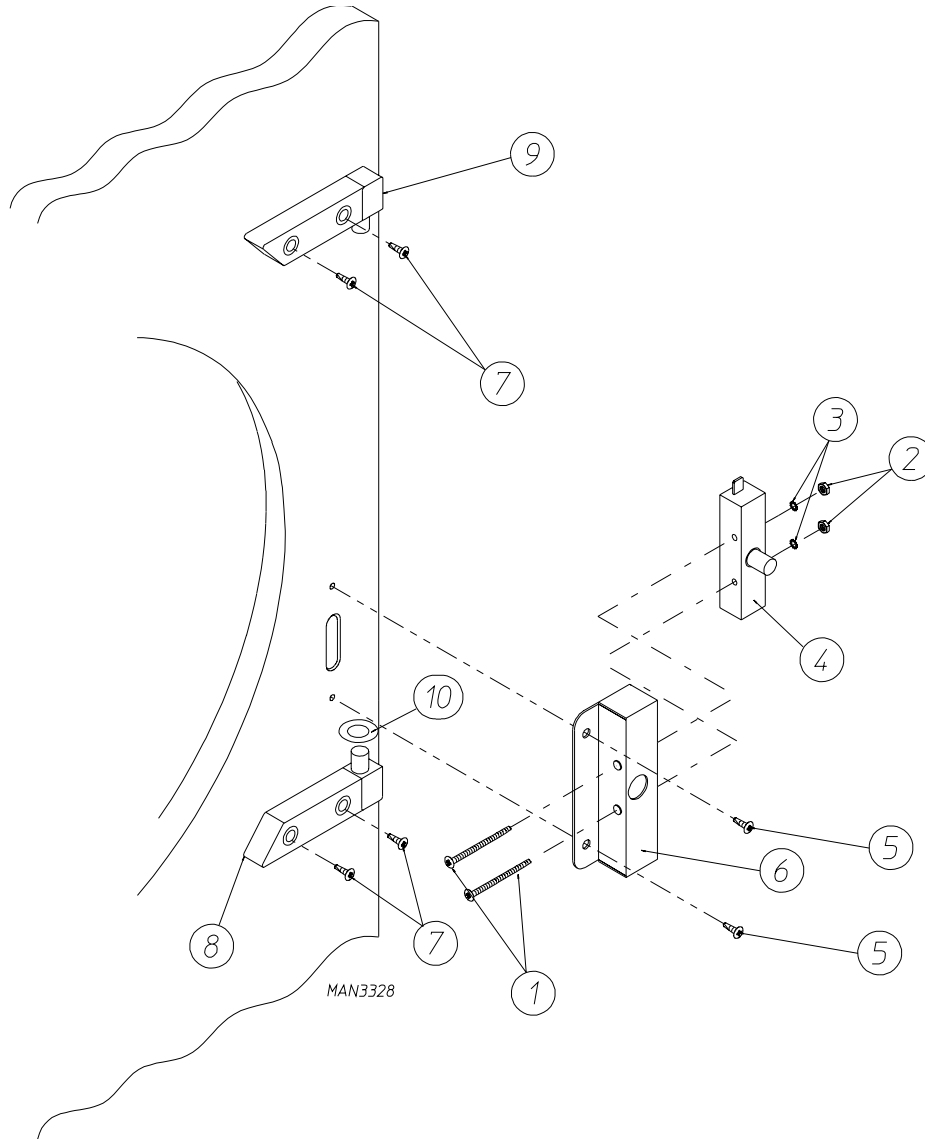
For Models Mfd. as of October 24, 1997



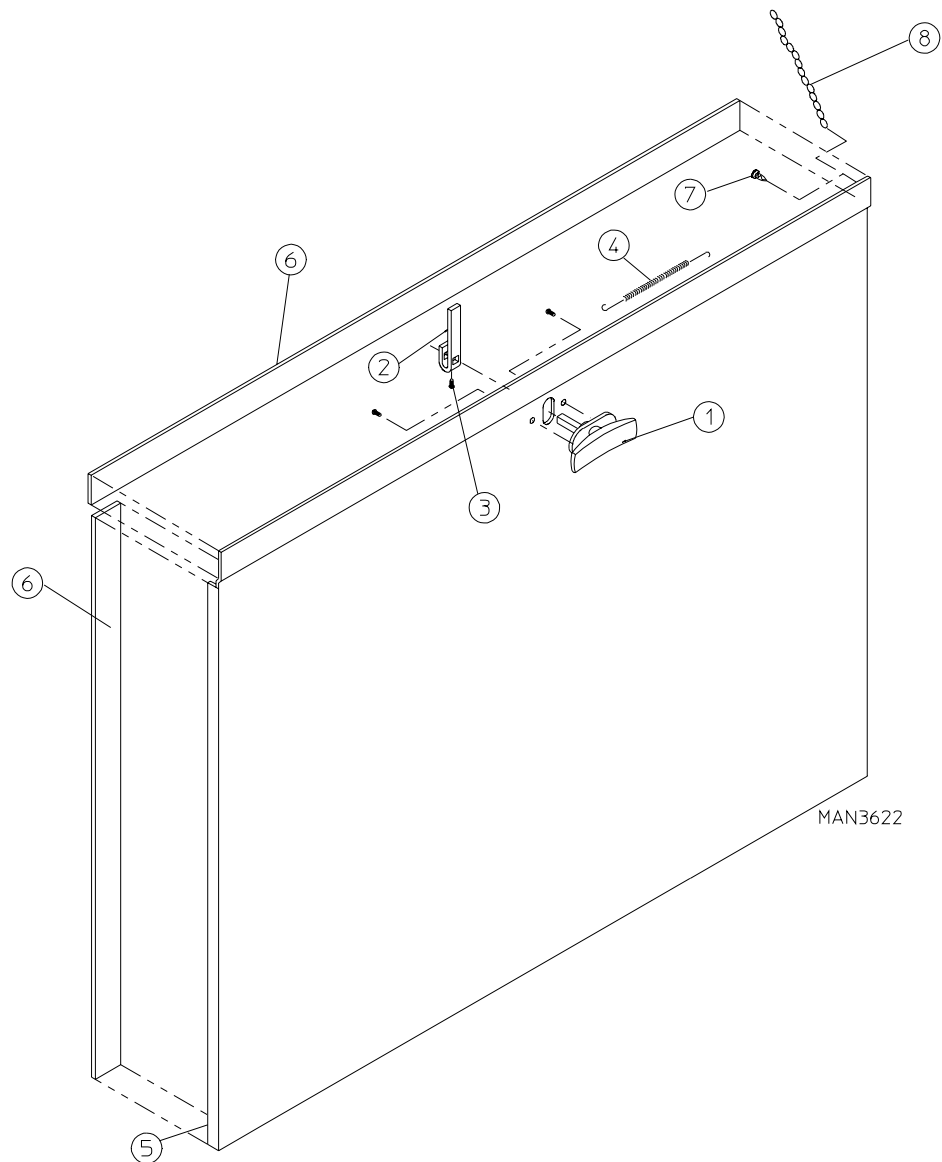
MAN3637

| <u>Illus. No.</u> | <u>Part No.</u> | <u>Qty.</u> | <u>Description</u>   |
|-------------------|-----------------|-------------|--|
| 1                 | 150006          | 2           | #6-32 x 7/8" Phillips Pan Head Machine Screw   |
| 2                 | 152013          | 2           | #6-32 Hex Nut 1/4" ATF   |
| 3                 | 153010          | 2           | #6 Star Washer   |
| 4                 | 137005          | 1           | Single Pole Door Switch  |
| 5                 | 150443          | 4           | 1/4-20 x 3/4" Stainless Steel Cap Screw  |
| 6                 | 881687          | 1           | White Main Door Switch Housing ONLY  |
|                   | 881695          | 1           | Blue Main Door Switch Housing ONLY   |
|                   | 881702          | 1           | White Main Door Switch with Housing Assembly<br>(includes illus. nos. 1 through 4 and 6) |
|                   | 881700          | 1           | Blue Main Door Switch with Housing Assembly<br>(includes illus. nos. 1 through 4 and 6)  |
| 7                 | 150301          | 2           | #8-18 x 7/16" Phillips Pan Head TEK Screw  |
| 8                 | 881441          | 1           | White Bottom Hinge Block<br>(includes illus. nos. 5, 8, and 10)                          |
|                   | 881735          | 1           | Blue Bottom Hinge Block<br>(includes illus. nos. 5, 8, and 10)                           |
| 9                 | 881440          | 1           | White Top Hinge Block<br>(includes illus. nos. 5 and 9)                                  |
|                   | 881736          | 1           | Blue Top Hinge Block<br>(includes illus. nos. 5 and 9)                                   |
| 10                | 153031          | 1           | Nylon Washer   |

For Models Mfd. prior to October 24, 1997



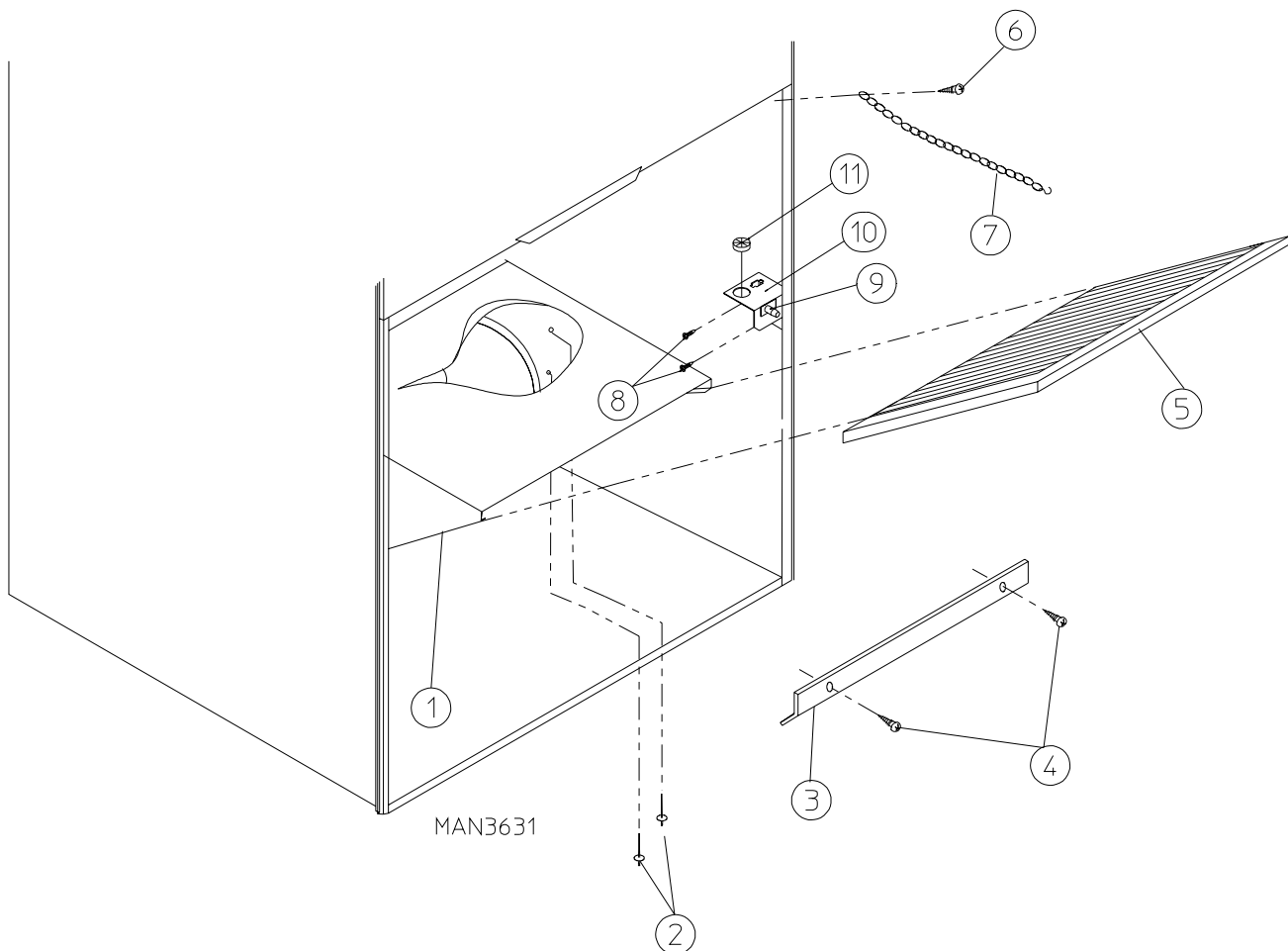
| <u>Illus. No.</u> | <u>Part No.</u> | <u>Qty.</u> | <u>Description</u>   |
|-------------------|-----------------|-------------|--|
| 1                 | 150006          | 2           | #6-32 x 7/8" Phillips Pan Head Machine Screw   |
| 2                 | 152013          | 2           | #6-32 Hex Nut 1/4" ATF   |
| 3                 | 153010          | 2           | #6 Star Washer   |
| 4                 | 137005          | 1           | Single Pole Door Switch  |
| 5                 | 150301          | 2           | #8-18 x 7/16" Phillips Pan Head TEK Screw  |
| 6                 | 881726          | 1           | White Main Door Switch Housing ONLY  |
|                   | 881698          | 1           | White Main Door Switch with Housing Assembly<br>(includes illus. nos. 1 through 4 and 6) |
| 7                 | 150443          | 4           | 1/4-20 x 3/4" Stainless Steel Cap Screw  |
| 8                 | 881441          | 1           | White Bottom Hinge Block<br>(includes illus. nos. 7, 8, and 10)                          |
| 9                 | 881440          | 1           | White Top Hinge Block<br>(includes illus. nos. 7 and 9)                                  |
| 10                | 153031          | 1           | Nylon Washer   |



| <u>Illus. No.</u> | <u>Part No.</u> | <u>Qty.</u> | <u>Description</u>   |
|-------------------|-----------------|-------------|--|
| 1                 | 800150          | 1           | Knob Latch Kit Assembly<br>(includes illus. nos. 1 through 3)                        |
| 2                 | 160009          | 1           | Knob Latch Adjustable Cam ONLY   |
| 3                 | 150425          | 1           | #12-24 x 3/8" Round Head Machine Screw ONLY<br>(screw for knob latch adjustable cam) |
| 4                 | 157000          | 1           | Drop Lint Door Spring  |
| 5*                | 881692          | 1           | Insulated Drop Lint Door Assembly<br>(includes illus. nos. 5 and 6)                  |
| 6                 | 117600          | 7           | Noise Suppressor Tape (sold by the foot)   |
| 7                 | 150419          | 2           | #6 x 1/2" Tamperproof TEK Screw  |
|                   | 150418          | 1           | Tamperproof Screw Hand Driver  |
| 8                 | 108120          | 1           | Chain for Drop Lint Door (10-1/2" length)  |

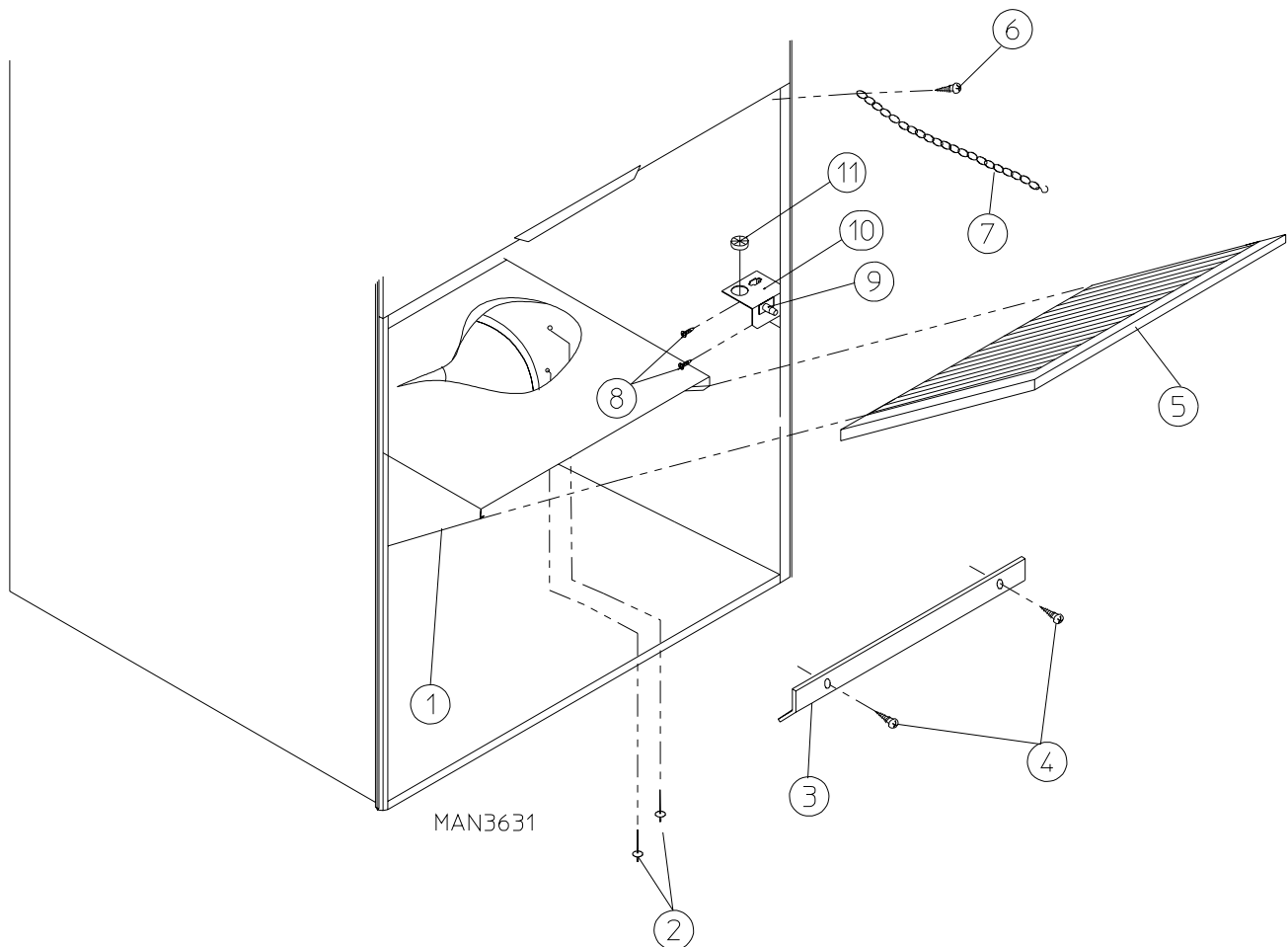
\* Specify color when ordering.

For Gas and Electric Models with 8" Exhaust

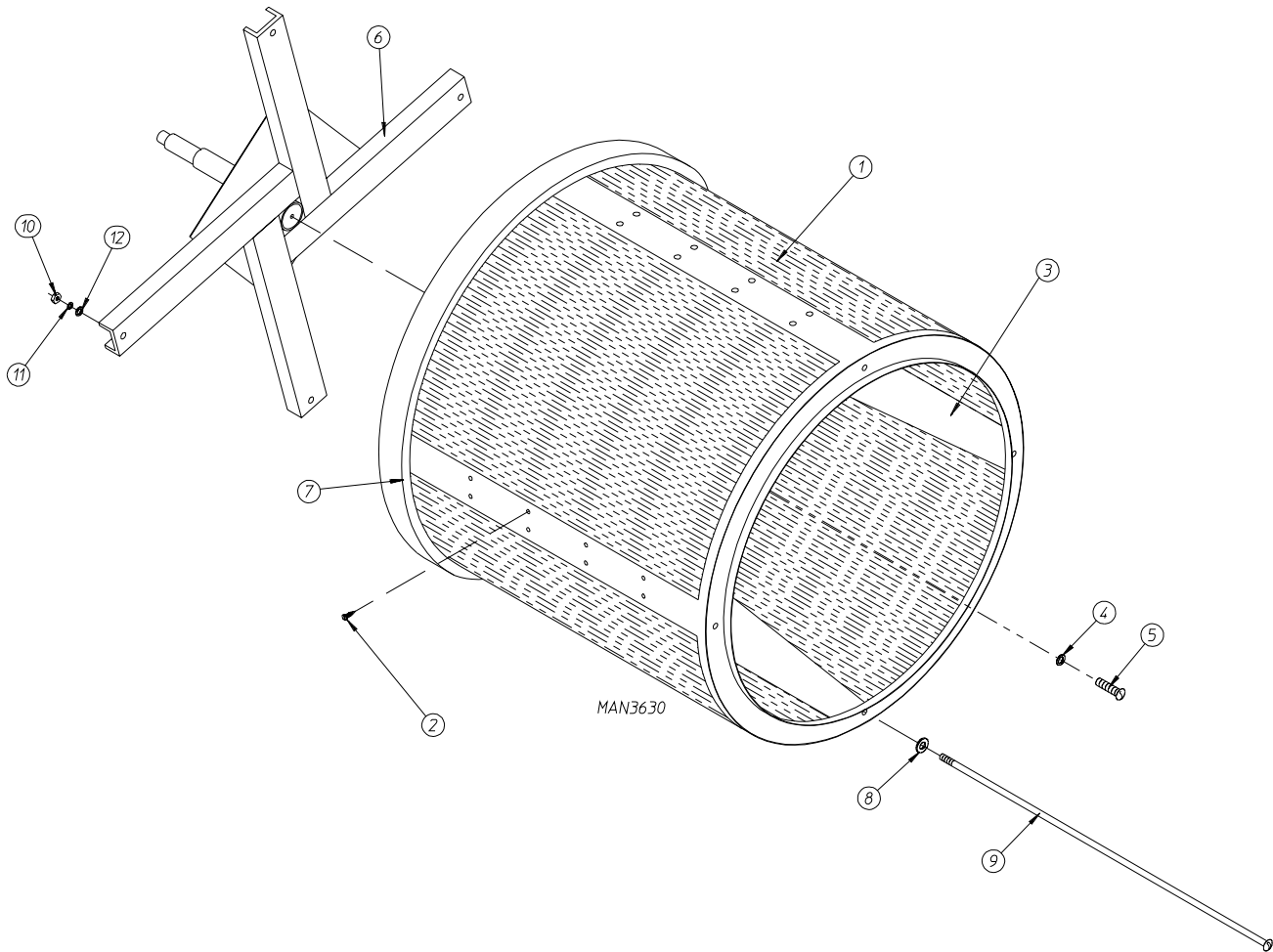


| <u>Illus. No.</u> | <u>Part No.</u> | <u>Qty.</u> | <u>Description</u>   |
|-------------------|-----------------|-------------|--|
| 1                 | 800420          | 1           | Non-Reversing Lint Trap Assembly Complete<br>(includes illus. nos. 1, 3, 4, and 5) |
|                   | 800421          | 1           | Non-Reversing Lint Trap ONLY   |
|                   | 800422          | 1           | Reversing Lint Trap Assembly Complete<br>(includes illus. nos. 1, 3, 4, and 5)     |
|                   | 800423          | 1           | Reversing Lint Trap ONLY   |
| 2                 | 154200          | 7           | 5/32" Pop Rivet  |
| 3                 | 304101          | 1           | Lint Screen Holder ONLY  |
| 4                 | 150300          | 2           | #10-16 x 1/2" Hex Washer TEK PLTD  |
| 5                 | 800506          | 1           | Lint Screen ONLY   |
| 6                 | 150419          | 2           | #6 x 1/2" Tamperproof TEK Screw  |
|                   | 150418          | 1           | Tamperproof Screw Hand Driver  |
| 7                 | 108120          | 1           | Chain for Drop Lint Door (10-1/2" length)  |
| 8                 | 150425          | 2           | #12-24 x 3/8" Phillips Round Head Screw  |
| 9                 | 122116          | 1           | Lint Drawer Switch ONLY  |
| 10                | 323724          | 1           | Lint Drawer Switch Bracket   |
| 11                | 121400          | 1           | Universal Bushing  |

For Steam Models with 10" Exhaust

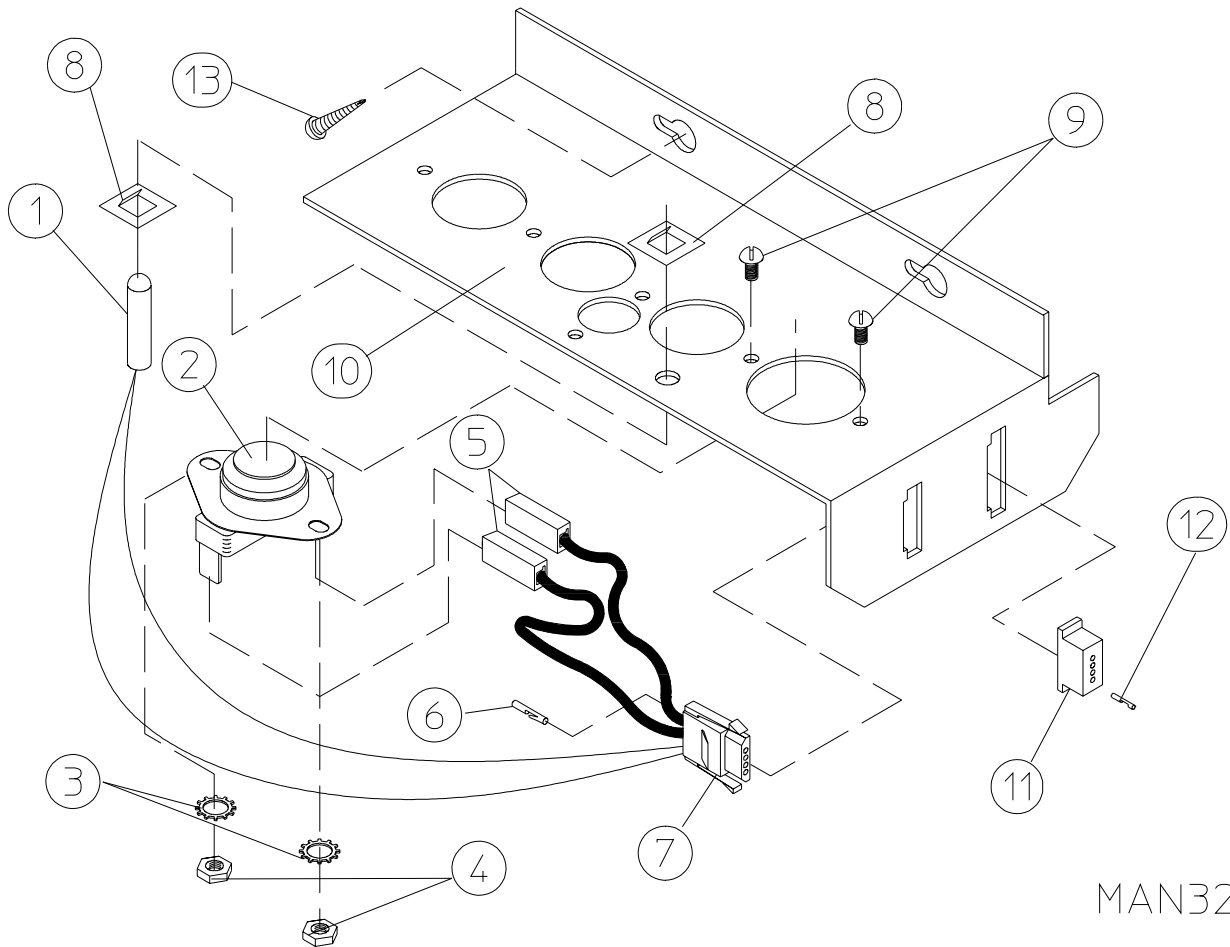


| Illus. No. | Part No. | Qty. | Description  |
|------------|----------|------|--|
| 1          | 800440   | 1    | Non-Reversing Lint Trap Assembly Complete<br>(includes illus. nos. 1, 3, 4, and 5) |
|            | 800433   | 1    | Non-Reversing Lint Trap ONLY   |
|            | 800441   | 1    | Reversing Lint Trap Assembly Complete<br>(includes illus. nos. 1, 3, 4, and 5)     |
|            | 800434   | 1    | Reversing Lint Trap ONLY   |
| 2          | 154200   | 7    | 5/32" Pop Rivet  |
| 3          | 304101   | 1    | Lint Screen Holder ONLY  |
| 4          | 150300   | 2    | #10-16 x 1/2" Hex Washer TEK PLTD  |
| 5          | 800506   | 1    | Lint Screen ONLY   |
| 6          | 150419   | 2    | #6 x 1/2" Tamperproof TEK Screw  |
|            | 150418   | 1    | Tamperproof Screw Hand Driver  |
| 7          | 108120   | 1    | Chain for Drop Lint Door (10-1/2" length)  |
| 8          | 150425   | 2    | #12-24 x 3/8" Phillips Round Head Screw  |
| 9          | 122116   | 1    | Lint Drawer Switch ONLY  |
| 10         | 323724   | 1    | Lint Drawer Switch Bracket   |
| 11         | 121400   | 1    | Universal Bushing  |



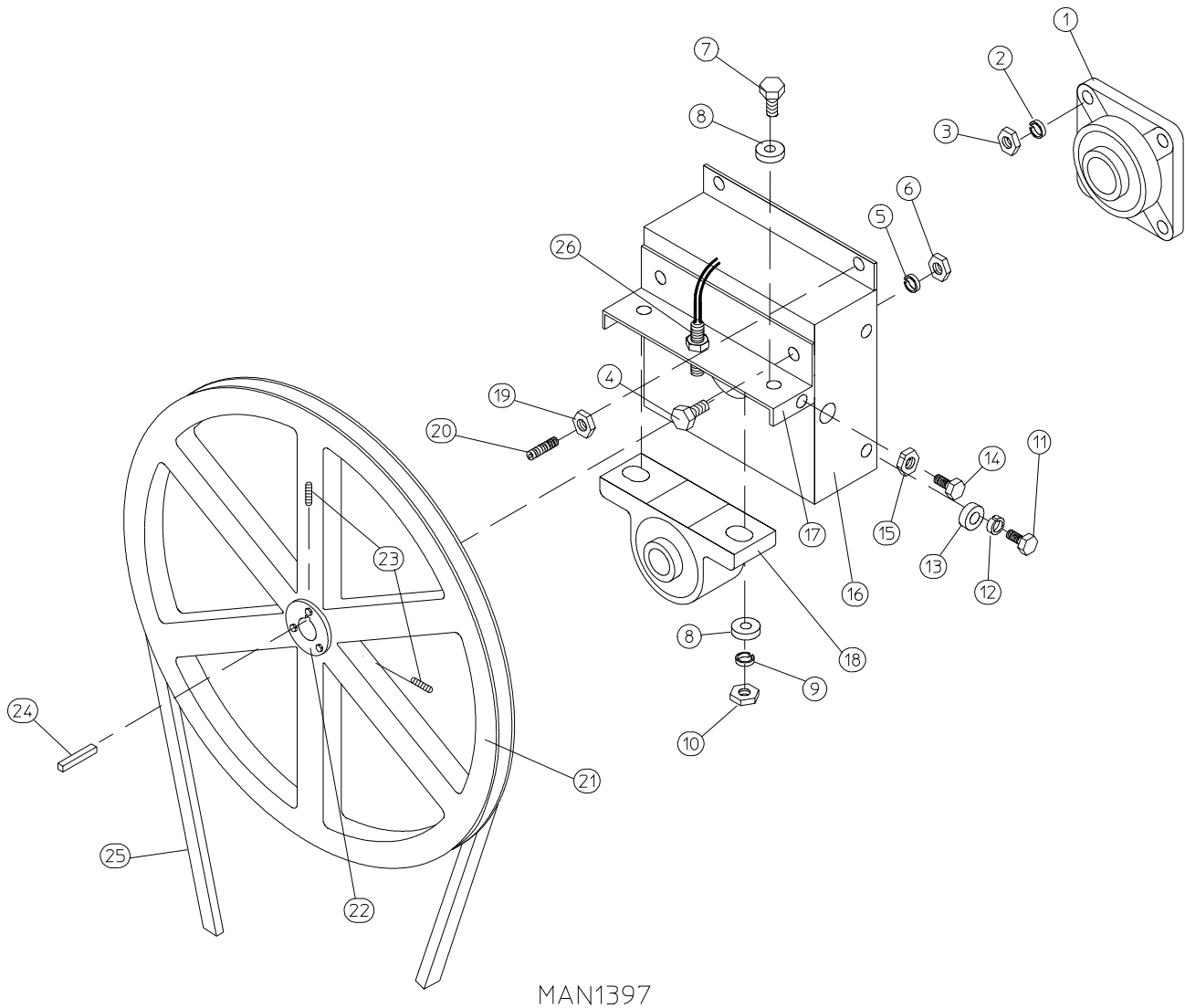
| <u>Illus. No.</u> | <u>Part No.</u> | <u>Qty.</u> | <u>Description</u>  |
|-------------------|-----------------|-------------|---|
| 1                 | 881780          | 1           | Basket (tumbler) ONLY   |
|                   | 881783          | 1           | 1-3/4" Non-Reversing Basket (tumbler) and Support Assembly Complete (includes illus. nos. 1 through 12) |
|                   | 881782          | 1           | 1-3/4" Reversing Basket (tumbler) and Support Assembly Complete (includes illus. nos. 1 through 12)     |
| 2                 | 150413          | 40          | #10-16 x 1/2" Torx Crimptite  |
| 3                 | 390074          | 4           | Basket (tumbler) Rib ONLY   |
| 4                 | 153002          | 1           | 5/16" Lock Washer   |
| 5                 | 150500          | 1           | 5/16-18 x 3/4" Socket Button Head Screw   |
| 6                 | 881778          | 1           | 1-3/4" Non-Reversing Basket (tumbler) Support ONLY  |
|                   | 881779          | 1           | 1-3/4" Reversing Basket (tumbler) Support ONLY  |
| 7                 | 116000          | 1           | Felt Collar ONLY  |
|                   | 401010          | 1           | #847 Adhesive For Felt Collar   |
| 8                 | 153004          | 4           | 3/8" Flat Washer  |
| 9                 | 100905          | 4           | 3/8-16 x 37" Tie Rod  |
| 10                | 152005          | 4           | 3/8-16 Hex Nut  |
| 11                | 153005          | 4           | 3/8" Lock Washer  |
| 12                | 153004          | 4           | 3/8" Flat Washer  |





MAN328

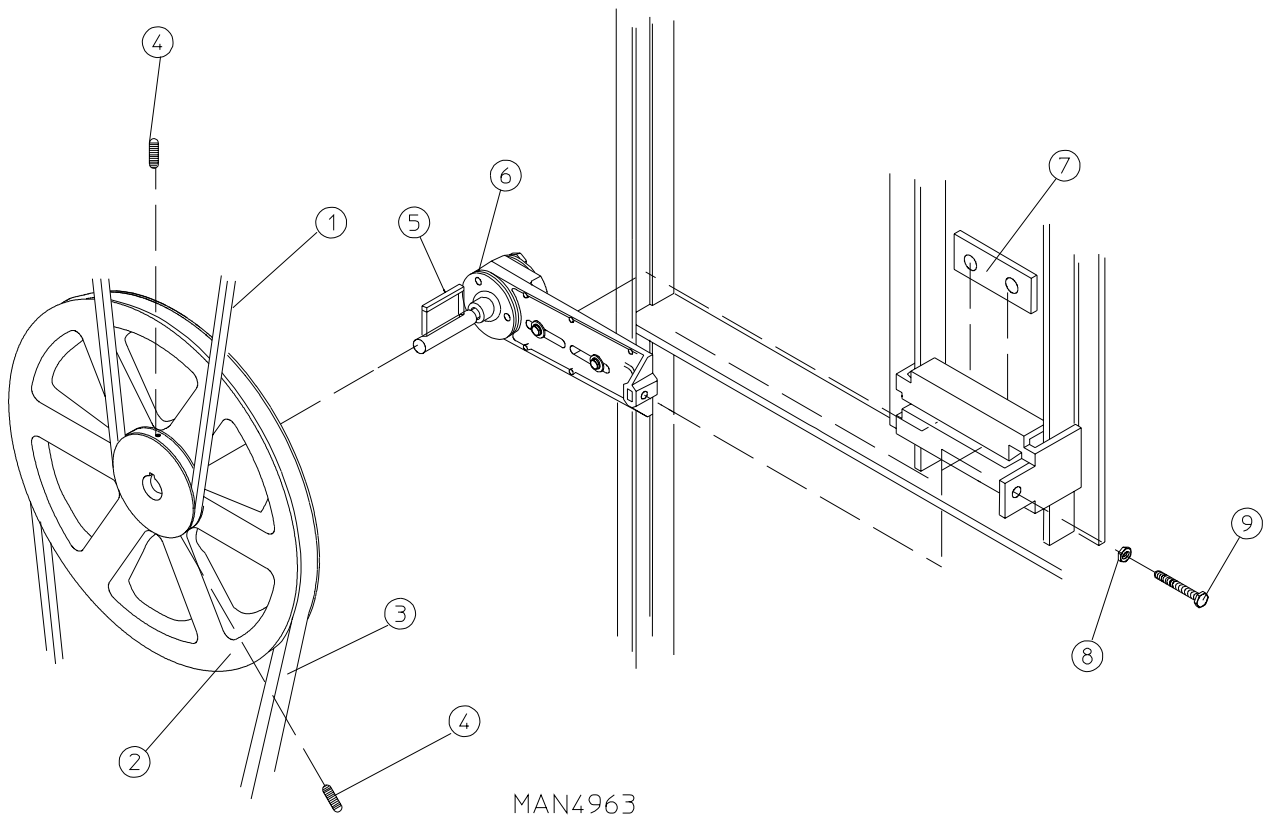
| <u>Illus. No.</u> | <u>Part No.</u> | <u>Qty.</u> | <u>Description</u>  |
|-------------------|-----------------|-------------|---|
| 1                 | 880251          | 1           | 1/4" Temperature Sensor Probe Assembly Complete<br>(includes illus. nos. 1 and 5 through 8) |
| 2                 | 130103          | 1           | 225° Large Automatic Thermostat ONLY  |
| 3                 | 153010          | 2           | #6 Star Washer  |
| 4                 | 152000          | 2           | #6-32 Hex Nut   |
| 5                 | 121028          | 2           | Insulated Terminal ONLY   |
| 6                 | 122701          | 4           | Socket Terminal ONLY  |
| 7                 | 122605          | 1           | 4-Pin Socket Connector  |
| 8                 | 154007          | 2           | 1/4" Tinnerman Push On Fastener   |
| 9                 | 150005          | 2           | #6-32 x 1/4" Phillips Round Head Machine Screw  |
| 10                | 801425          | 1           | Microprocessor Sensor Bracket Assembly Complete<br>(includes illus. nos. 1 through 10)      |
|                   | 305007          | 1           | Universal Sensor Bracket ONLY   |
| 11                | 122604          | 1           | 4-Pin Connector ONLY  |
| 12                | 122700          | 4           | Pin Terminal ONLY   |
|                   | 122801          | 1           | Pin/Socket Extraction Tool  |
| 13                | 150301          | 2           | #8-18 x 7/16" Phillips Pan Head TEK Screw   |



| <u>Illus. No.</u> | <u>Part No.</u> | <u>Qty.</u> | <u>Description</u>                         |
|-------------------|-----------------|-------------|--|
| 1                 | 880220          | 1           | 1-3/4" Flange Bearing with Nylock Setscrew |
| 2                 | 153025          | 4           | 9/16" Lock Washer                          |
| 3                 | 152050          | 4           | 9/16-12 Hex Nut                            |
| 4                 | 150508          | 2           | 3/8-16 x 3/4" Hex Head Machine Bolt        |
| 5                 | 153005          | 2           | 3/8" Lock Washer                           |
| 6                 | 152005          | 2           | 3/8-16 Hex Nut                             |
| 7                 | 150600          | 2           | 3/8-16 x 1-1/2" Hex Head Machine Bolt      |
| 8                 | 153004          | *           | 3/8" Flat Washer                           |
| 9                 | 153005          | 2           | 3/8" Lock Washer                           |
| 10                | 152005          | 2           | 3/8-16 Hex Nut                             |

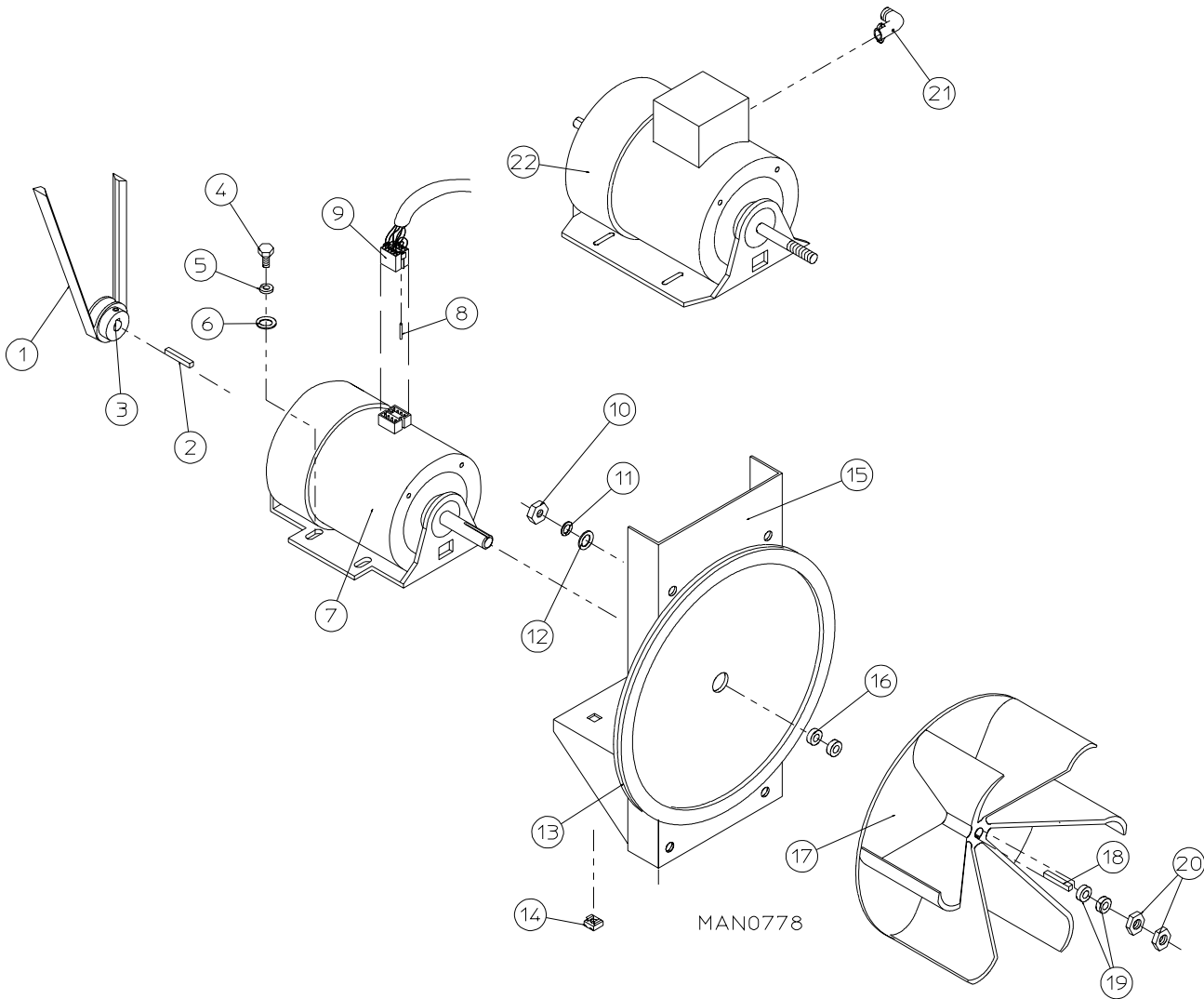
| <u>Illus. No.</u> | <u>Part No.</u> | <u>Qty.</u> | <u>Description</u>   |
|-------------------|-----------------|-------------|--|
| 11                | 150501          | 4           | 5/16-18 x 3/4" Hex Head Machine Bolt   |
| 12                | 153002          | 4           | 5/16" Lock Washer  |
| 13                | 153001          | 4           | 5/16" Flat Washer  |
| 14                | 150621          | 2           | 5/16-18 x 1-1/2" Hex Head Machine Bolt   |
| 15                | 152004          | 2           | 5/16-18 Hex Nut  |
| 16                | 801107          | 1           | 1-3/8" Bearing Box Magnetic Sensor Assembly Complete<br>(includes illus. nos. 4 through 20)<br>For Models Mfd. without Rotational Sensor<br>(for models mfd. as of April 12, 1999) |
|                   | 801101          | 1           | 1-3/8" Bearing Box Assembly Complete<br>(includes illus. nos. 4 through 20)<br>For Models Mfd. without Rotational Sensor<br>(for models mfd. prior to April 12, 1999)              |
|                   | 801103          | 1           | 1-3/8" Bearing Box and Support ONLY<br>(includes illus. nos. 4, 5, 6, 16, and 17)  |
|                   | 801105          | 1           | 1-3/8" Bearing Box ONLY  |
| 17                | 801104          | 1           | Pillow Block Bearing Support ONLY  |
| 18                | 880202          | 1           | 1-3/8" Pillow Block Bearing with Nylock Setscrew   |
|                   | 880779          | 1           | 1-3/8" Pillow Block Bearing Assembly with Magnet<br>(for models mfd. with optional rotational sensor)  |
| 19                | 152004          | 2           | 5/16-18 Hex Nut  |
| 20                | 150610          | 2           | 5/16-18 x 1-1/2" Allen Setscrew  |
| 21                | 101100          | 1           | 18" Pulley<br>(for non-reversing models Only)  |
|                   | 101118          | 1           | 18-3/4" Pulley<br>(for reversing models Only)  |
| 22                | 101119          | 1           | 1-3/8" Taper Lock Hub (key not included)<br>For Reversing Models ONLY  |
| 23                | 154301          | 2           | 5/16-18 x 5/16" Allen Setscrew<br>(for non-reversing models Only)  |
| 24                | 100713          | 1           | 1/4" x 1/4" x 7/8" Key<br>(for non-reversing models Only)  |
|                   | 100735          | 1           | Shaft Key (for taper lock hub)<br>For Reversing Models ONLY  |
| 25                | 100106          | 1           | 5L-690 V-Belt (basket [tumbler] to idler)  |
| 26                | 824807          | 1           | Rotational Sensor Assembly<br>(for models mfd. with optional rotational sensor)  |

\* As required.



---

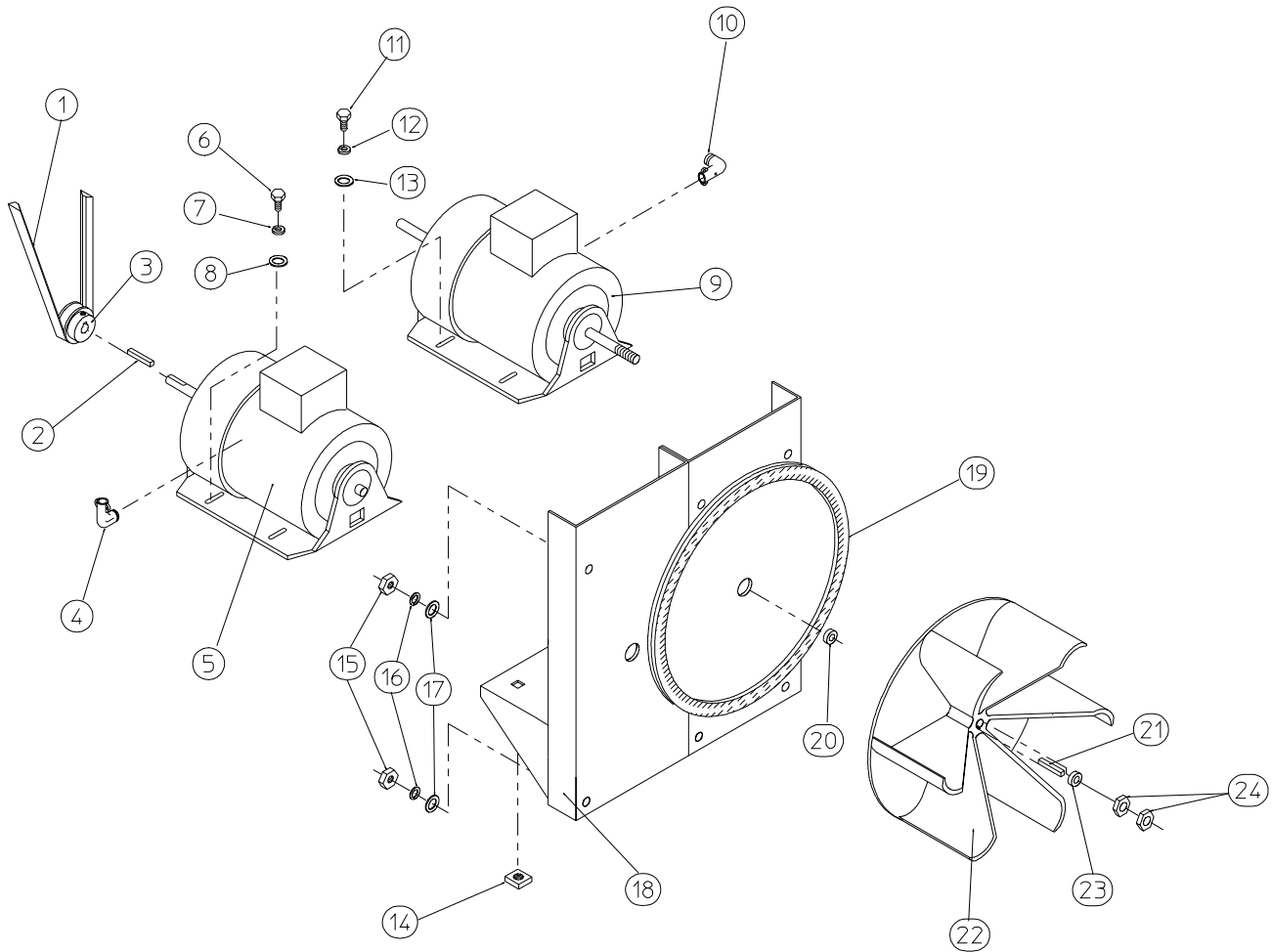
| <u>Illus. No.</u> | <u>Part No.</u> | <u>Qty.</u> | <u>Description</u>   |
|-------------------|-----------------|-------------|--|
| 1                 | 100106          | 1           | 5L-690 V-Belt (basket [tumbler] to idler)                              |
| 2                 | 101140          | 1           | 14" x 3" Compound Pulley   |
| 3                 | 100117          | 1           | 4L-620 V-Belt (idler to motor)   |
|                   |                 |             | For Non-Reversing Models ONLY  |
|                   | 100114          | 1           | 4L-630 V-Belt (idler to motor)   |
|                   |                 |             | For Reversing Models ONLY  |
| 4                 | 154301          | 2           | 5/16-18 x 1" Allen Setscrew  |
| 5                 | 100705          | 1           | 3/16" x 3/16" x 1-3/8" Key   |
| 6                 | 882576          | 1           | Idler Bearing Assembly Complete<br>(includes illus. nos. 5 through 12) |
| 7                 | 801009          | 1           | Idler Square Washer  |
| 8                 | 152004          | 1           | 5/16-18 Hex Nut  |
| 9                 | 150509          | 1           | 5/16-18 x 3" Hex Head Machine Bolt                                     |



| <u>Illus. No.</u> | <u>Part No.</u> | <u>Qty.</u> | <u>Description</u>   |
|-------------------|-----------------|-------------|--|
| 1                 | 100117          | 1           | 4L 620 V-Belt (motor to idler)   |
| 2                 | 100701          | 1           | 3/16" x 3/16" x 1" Key   |
| 3                 | 101133          | 1           | 5/8" x 2-1/4" Motor Pulley (60 Hz Only)  |
|                   | 101130          | 1           | 5/8" x 2-1/2" Motor Pulley (50 Hz Only)  |
| 4                 | 150501          | 4           | 5/16-18 x 3/4" Hex Head Machine Bolt   |
| 5                 | 153002          | 4           | 5/16" Lock Washer  |
| 6                 | 153001          | 4           | 5/16" Flat Washer  |
| 7                 | 100073*         | 1           | 1 HP 120/208/230v 1ø 60 Hz Totally Enclosed, Fan-Cooled (T.E.F.C.) Motor with Plug (56Z frame) |
|                   | 181016          | 1           | 3/4 HP 230v 1ø 50 Hz Non-Reversing Totally Enclosed, Fan-Cooled (T.E.F.C.) Motor               |
| 8                 | 122701          | 8           | Socket Terminal  |
|                   | 122801          | 1           | Pin/Socket Extraction Tool   |
| 9                 | 137030          | 1           | 8-Pin Housing Connector  |
|                   | 824714          | 1           | 120 Volt - 1ø Motor Harness  |
|                   | 824709          | 1           | 240 Volt - 1ø Motor Harness  |
| 10                | 152004          | 4           | 5/16-18 Hex Nut  |

| <u>Illus. No.</u> | <u>Part No.</u> | <u>Qty.</u> | <u>Description</u>  |
|-------------------|-----------------|-------------|---|
| 11                | 153002          | 4           | 5/16" Lock Washer   |
| 12                | 153001          | 4           | 5/16" Flat Washer   |
| 13                | 117600          | 4           | Noise Suppressor Tape (sold by the foot)  |
| 14                | 154000          | 4           | 5/16-18 Tinnerman Nut   |
| 15                | 800919          | 1           | Non-Reversing Motor Mount ONLY (56Z frame)  |
|                   | 803992*         | 1           | 1 HP 120/230v 1ø 60 Hz Totally Enclosed, Fan-Cooled (T.E.F.C.) Motor Mount Assembly with Plug Complete (includes illus. nos. 2 through 7 and 13 through 20)         |
|                   | 803953          | 1           | 3/4 HP 230v 1ø 50 Hz Non-Reversing Totally Enclosed, Fan-Cooled (T.E.F.C.) Motor Mount Assembly Complete (includes illus. nos. 2 through 6 and 13 through 22)       |
|                   | 803955*         | 1           | 1 HP 230/380/460v 3ø 60 Hz Non-Reversing Totally Enclosed, Fan-Cooled (T.E.F.C.) Motor Mount Assembly Complete (includes illus. nos. 2 through 6 and 13 through 22) |
|                   | 803958*         | 1           | 1 HP 230/380/460v 3ø 50 Hz Non-Reversing Totally Enclosed, Fan-Cooled (T.E.F.C.) Motor Mount Assembly Complete (includes illus. nos. 2 through 6 and 13 through 22) |
| 16                | 153051          | 1           | 3/4" S.A.E. Flat Washer   |
| 17                | 100603          | 1           | 16" Impellor with 3/4" Bore   |
| 18                | 100714          | 1           | 3/16" x 3/16" x 1-7/8" Key  |
| 19                | 153050          | 2           | 1/2" S.A.E. Flat Washer   |
| 20                | 152006          | 2           | 1/2-20 Left Hand Jam Nut  |
| 21                | 120200          | 1           | 3/8" x 90° Connector  |
|                   | 824696          | 1           | 3-Phase (3ø) Motor Harness  |
| 22*               | 100075          | 1           | 1 HP 208/230/240/460v 3ø 50/60 Hz Totally Enclosed, Fan-Cooled (T.E.F.C.) Motor   |

\* Specify voltage when ordering.



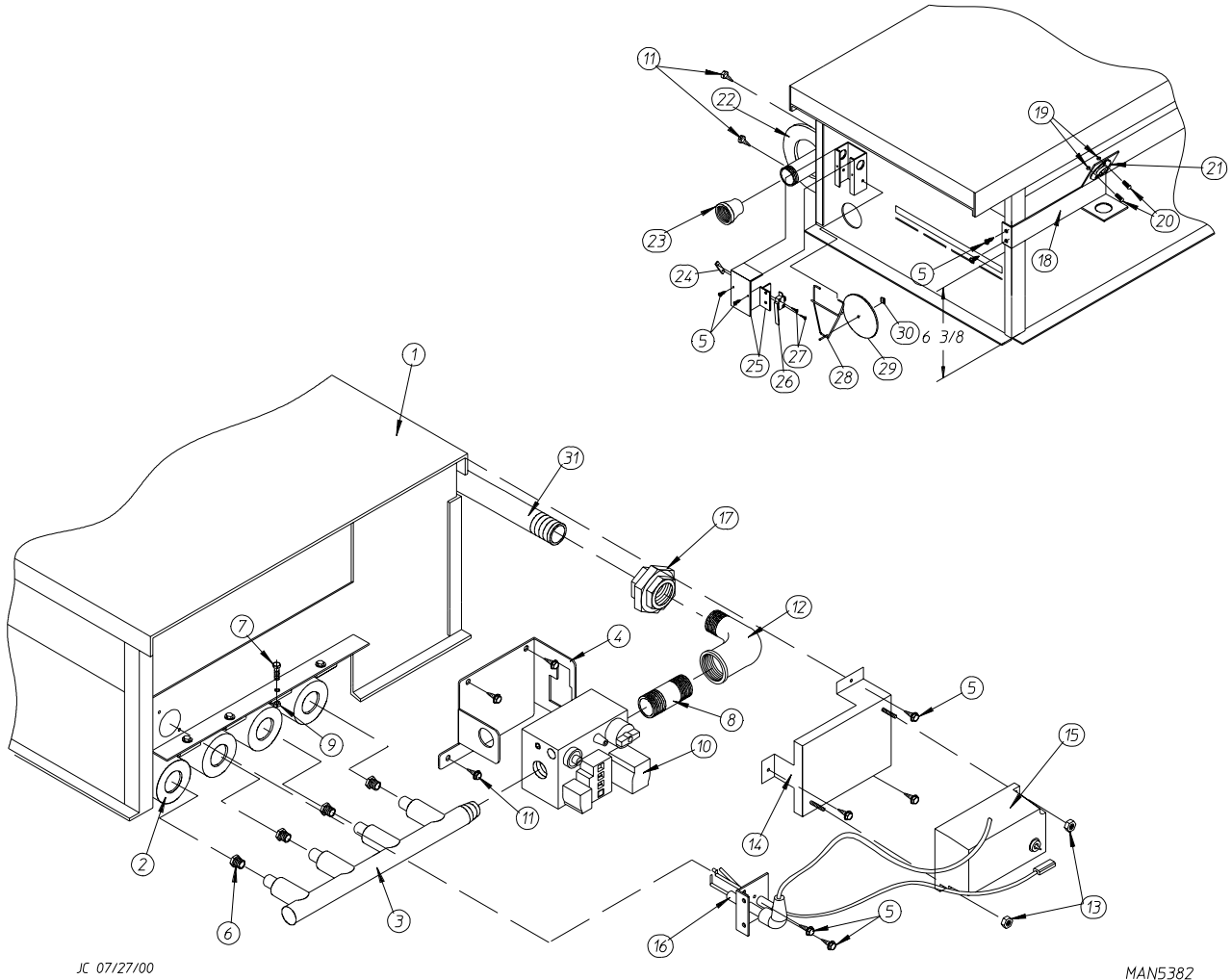
MAN0250



| <u>Illus. No.</u> | <u>Part No.</u> | <u>Qty.</u> | <u>Description</u>  |
|-------------------|-----------------|-------------|---|
| 1                 | 100114          | 1           | 4L-630 V-Belt (motor to idler)  |
| 2                 | 100701          | 1           | 3/16" x 3/16" x 1" Key  |
| 3                 | 101130          | 1           | 5/8" x 2-1/2" Motor Pulley (60 Hz Only)   |
|                   | 101139          | 1           | 5/8" x 2-3/4" Motor Pulley (50 Hz Only)   |
| 4                 | 120200          | 1           | 3/8" x 90° Connector  |
|                   | 824697          | 1           | 3-Phase (3ø) Drive Motor Harness  |
| 5*                | 181003          | 1           | 1/2 HP 208/230/380/460v 3ø 50/60 Hz Totally Enclosed, Fan-Cooled (T.E.F.C.) 56Z Frame   |
| 6                 | 150501          | 4           | 5/16-18 x 3/4" Hex Head Machine Bolt  |
| 7                 | 153002          | 4           | 5/16" Lock Washer   |
| 8                 | 153001          | 4           | 5/16" Flat Washer   |
| 9*                | 100075          | 1           | 1 HP 220/230/380/460v 3ø 50/60 Hz Totally Enclosed, Fan-Cooled (T.E.F.C.) Motor with 3/4" Shaft (56Z frame)   |
| 10                | 120200          | 1           | 3/8" x 90° Connector  |
|                   | 824698          | 1           | 3-Phase (3ø) Blower (fan/impellor) Motor Harness  |
| 11                | 150501          | 4           | 5/16-18 x 3/4" Hex Head Machine Bolt  |
| 12                | 153002          | 4           | 5/16" Lock Washer   |
| 13                | 153001          | 4           | 5/16" Flat Washer   |
| 14                | 154000          | 8           | 5/16" Tinnerman Nut   |
| 15                | 152004          | 7           | 5/16" Hex Nut   |
| 16                | 153002          | 4           | 5/16" Lock Washer   |
| 17                | 153001          | 4           | 5/16" Flat Washer   |
| 18                | 800912          | 1           | Reversing Motor Mount ONLY (56Z frame)  |
|                   | 803952*         | 1           | Reversing Totally Enclosed, Fan-Cooled (T.E.F.C.) Motor Mount Assembly Complete (includes illus. nos. 2 through 14 and 18 through 24) For 60 Hz Models ONLY |
|                   | 803987*         | 1           | Reversing T.E.F.C. Motor Mount Assembly Complete (includes illus. nos. 2 through 14 and 18 through 24) For 50 Hz Models ONLY                                |
| 19                | 117600          | 4           | Noise Suppressor Tape (sold by the foot)  |
| 20                | 153050          | 1           | 1/2" S.A.E. Flat Washer   |
| 21                | 100702          | 1           | 1/8" x 1/8" x 1-1/2" Key  |
| 22                | 100603          | 1           | 16" Impellor with 3/4" Bore   |
| 23                | 153050          | **          | 1/2" S.A.E. Flat Washer   |
| 24                | 152006          | 2           | 1/2-20 Left Hand Jam Nut  |

\* Specify voltage when ordering.

\*\* As required.



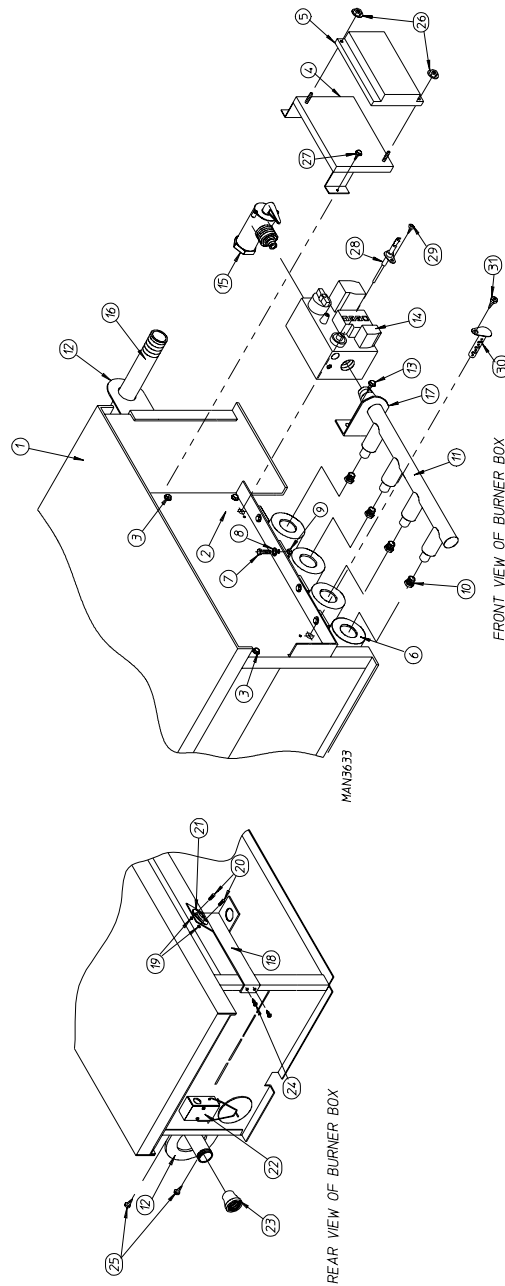
JC 07/27/00

MAN5382

| Illus. No. | Part No. | Qty. | Description  |
|------------|----------|------|--|
| 1*         | 809716   | 1    | Natural Gas Burner Assembly Complete<br>(includes illus. nos. 1 through 32<br>For Models Manufactured Natural Gas ONLY                                   |
|            | 809717   | 1    | Liquid Propane (L.P.) Gas Burner Assembly Complete<br>(includes illus. nos. 1 through 32)<br>For Models Manufactured with Liquid Propane (L.P.) Gas ONLY |
|            | 810047   | 1    | Burner Box ONLY  |
|            | 881231*  | 1    | Burner Liquid Propane (L.P.) Conversion Kit  |
| 2          | 141105   | 4    | Large Burner Tube  |
| 3          | 141210   | 1    | 3/4" Direct Spark Ignition (DSI) Manifold (4-port)   |
| 4          | 318714   | 1    | Bracket For Horizontal Facing Gas Valve  |
| 5          | 150300   | 9    | #10-16 1/2" Hex Washer TEK PLTD  |
| 6*         | 140820   | 4    | #29 Burner Orifice (natural gas) ONLY  |
|            | 140805   | 4    | #47 Burner Orifice (liquid propane [L.P.] gas Only)  |
| 7          | 150108   | 4    | #8-32 x 1/2" Phillips Round Head Machine Screw   |
| 8          | 142707   | 4    | 1/2" x 1 1/2" Long Black Nipple  |
| 9          | 151001   | 4    | #8-32 Pal Nut  |

| <u>Illus. No.</u> | <u>Part No.</u> | <u>Qty.</u> | <u>Description</u>  |
|-------------------|-----------------|-------------|---|
| 10                | 128927          | 1           | 1/2" 24 VAC Redundant (natural gas) Gas Valve   |
|                   | 880960          | 1           | 1/2" 24 VAC Direct Spark Ignition (DSI)<br>Liquid Propane (L.P.) Gas Valve Assembly                 |
| 11                | 150309          | 5           | #10-16 x 1/2" Hex Head TEK Crimptite Screw  |
| 12                | 142506          | 1           | 1/2" Street Elbow   |
| 13                | 152013          | 2           | #6-32 Hex Nut 1/4" ATF  |
| 14                | 810030          | 1           | Johnson Controls Direct Spark Ignition (DSI) Module Mounting Bracket                                |
| 15                | 128935          | 1           | Direct Spark Ignition (DSI) Module with 3 Tries   |
| 16                | 809309          | 1           | Ignitor Probe Assembly with 19" Leads   |
| 17                | 142600          | 1           | 1/2" Black Union  |
| 18                | 319704          | 1           | HI-Limit Mounting Bracket   |
| 19                | 151000          | 2           | #6-32 Pal Nut   |
| 20                | 150001          | 2           | #6-32 x 1/2" Phillips Round Head Machine Screw  |
| 21                | 130201          | 1           | 330° HI-Limit Manual Reset  |
| 22                | 318700          | 1           | Pipe Bracket (bent)   |
| 23                | 143000          | 1           | 3/4" to 1/2" Reducing Coupling  |
|                   | 142936          | 1           | 3/4" BSPT x 1/2" N.P.T. Coupling (CE Only)  |
| 24                | 154004          | 1           | Twin Speed Nut  |
| 25                | 802799          | 1           | Sail Switch Box Cover and Bracket ONLY<br>(refer to <b>Sail Switch Assembly</b> on <b>page 38</b> ) |
| 26                | 122200          | 1           | Sail Switch ONLY  |
| 27                | 150303          | 2           | #4 x 3/4" Pan Head "A" Machine Screw  |
| 28                | 105500          | 1           | Sail Switch Actuator Rod  |
| 29                | 319202          | 1           | Sail Switch Damper (flat)   |
| 30                | 154002          | 1           | 1/8" Push On Fastener   |
| 31                | 142809          | 1           | 1/2" x 29-1/8" Nipple   |

\* Consult factory for elevations over 2,000 feet.

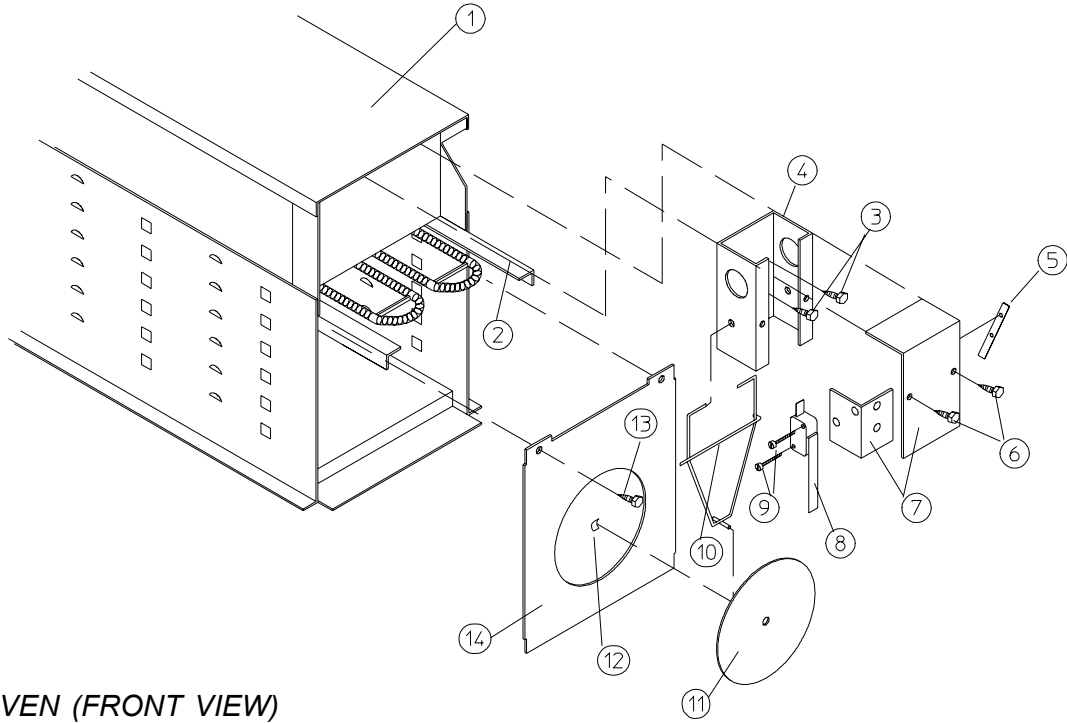


| <u>Illus. No.</u> | <u>Part No.</u> | <u>Qty.</u> | <u>Description</u>   |
|-------------------|-----------------|-------------|--|
| 1                 | 881781*         | 1           | Natural Gas Burner Assembly Complete Less Orifices<br>(includes illus. nos 1 through 9 and 11 through 31)<br>For Models Manufactured with Natural Gas ONLY                             |
|                   | 881784*         | 1           | Liquid Propane (L.P.) Gas Burner Assembly Complete Less Orifices<br>(includes illus. nos 1 through 9 and 11 through 31)<br>For Models Manufactured with Liquid Propane (L.P.) Gas ONLY |
|                   | 810045          | 1           | Burner Box ONLY<br>(for models mfd. as of October 5, 1998)   |
|                   | 802237          | 1           | Burner Box ONLY<br>(for models mfd. prior to October 5, 1998)  |
|                   | 881231**        | 1           | MLG-75 Burner Liquid Propane (L.P.) Conversion Kit   |

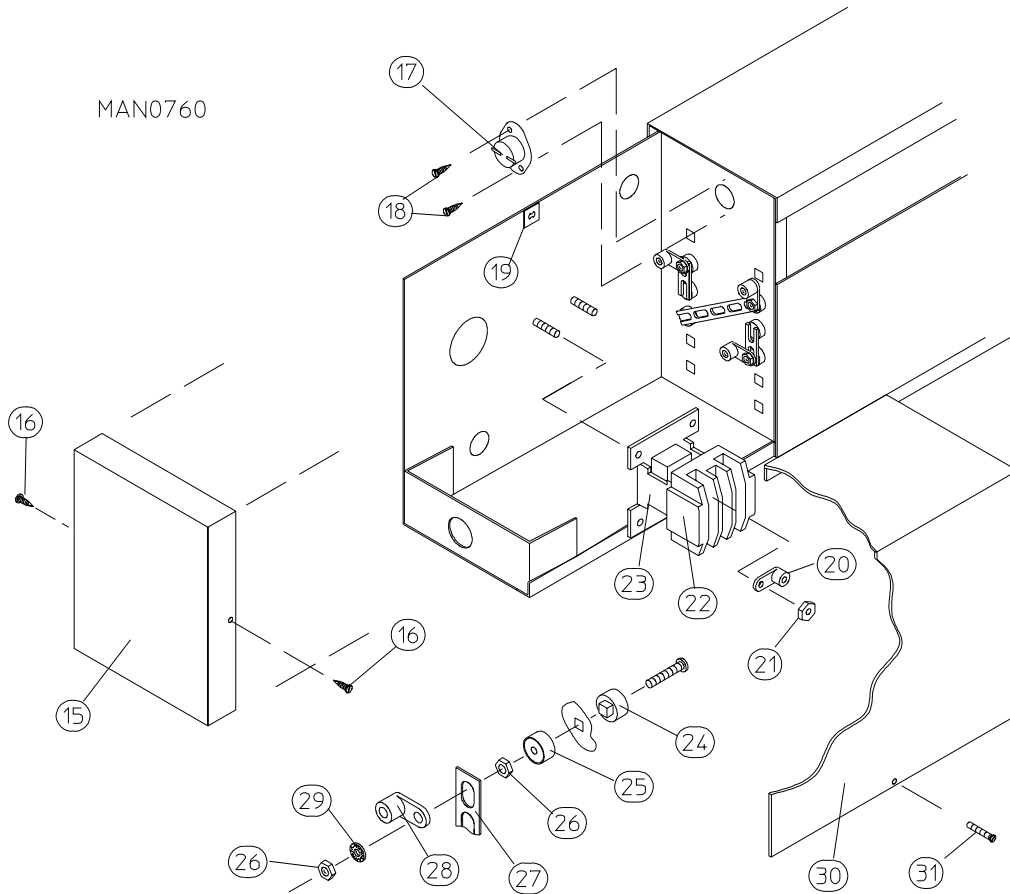
| <u>Illus. No.</u> | <u>Part No.</u> | <u>Qty.</u> | <u>Description</u>   |
|-------------------|-----------------|-------------|--|
| 2                 | 323013          | 1           | Burner Box Shield/Front ONLY<br>(for models mfd. as of October 5, 1998)  |
|                   | 318041          | 1           | Burner Box Front ONLY<br>(for models mfd. prior to October 5, 1998)      |
| 3                 | 150309          | 5           | #10-16 x 1/2" Hex Head TEK Crimptite Screw                               |
| 4                 | 810029          | 1           | Hot Surface Ignition (HSI) Module Mounting Bracket                       |
| 5                 | 881797          | 1           | Hot Surface Ignition (HSI) Module II                                     |
| 6                 | 141105          | 4           | Large Burner Tube  |
| 7                 | 150103          | 4           | #8-32 x 3/4" Phillips Round Head Machine Screw                           |
| 8                 | 153000          | 4           | #8 Steel Burr  |
| 9                 | 151001          | 4           | #8-32 Pal Nut  |
| 10**              | 140820          | 4           | #29 Burner Orifice (natural gas) ONLY                                    |
|                   | 140805          | 4           | #47 Burner Orifice (liquid propane [L.P.] gas) ONLY                      |
| 11                | 141210          | 1           | 4-Port Manifold  |
| 12                | 318700          | 2           | Pipe Bracket (bent)  |
| 13                | 150300          | 2           | #10-16 x 1/2" Hex Washer TEK PLTD  |
| 14                | 128927          | 1           | 1/2" 24 VAC Redundant (natural gas) Gas Valve                            |
|                   | 880960          | 1           | 1/2" 24 VAC Liquid Propane (L.P.) Gas Valve Assembly                     |
|                   | 140411          | 1           | 24 VAC Gas Valve Liquid Propane (L.P.) Conversion Kit                    |
| 15                | 881367          | 1           | 1/2" Union Shutoff with Tail Piece                                       |
| 16                | 142809          | 1           | 1/2" x 29-1/8" Nipple  |
| 17                | 323737          | 1           | Pipe Bracket   |
| 18                | 319704          | 1           | Hi-Limit Mounting Bracket  |
| 19                | 151000          | 2           | #6-32 Pal Nut  |
| 20                | 150001          | 2           | #6-32 x 1/2" Phillips Round Head Machine Screw                           |
| 21                | 130401          | 1           | 330° Hi-Limit ONLY   |
| 22                | -----           | 1           | Sail Switch<br>(refer to <b>Sail Switch Assembly</b> on <b>page 38</b> ) |
| 23                | 143000          | 1           | 3/4" to 1/2" Reducing Coupling   |
|                   | 142936          | 1           | 3/4" BSPT x 1/2" N.P.T. Coupling (CE Only)                               |
| 24                | 150309          | 2           | #10-16 x 1/2" Hex Head TEK Crimptite Screw                               |
| 25                | 150309          | 2           | #10-16 x 1/2" Hex Head TEK Crimptite Screw                               |
| 26                | 151001          | 2           | #8-32 Pal Nut  |
| 27                | 150309          | 3           | #10-16 x 1/2" Hex Head TEK Crimptite Screw                               |
| 28                | 128921          | 1           | Hot Surface Ignition (HSI) Flame Sensor                                  |
| 29                | 150301          | 1           | #8-18 x 7/16" Phillips Pan Head TEK Screw                                |
| 30                | 881597          | 1           | Hot Surface Ignitor (2-1/2" length) - 24 VAC                             |
| 31                | 150309          | 1           | #10-16 x 1/2" Hex Head TEK Crimptite Screw                               |

\* Burner orifices *are not included* and **must be** ordered separately.

\*\* Consult factory for elevations over 2,000 feet.



ELECTRIC OVEN (FRONT VIEW)

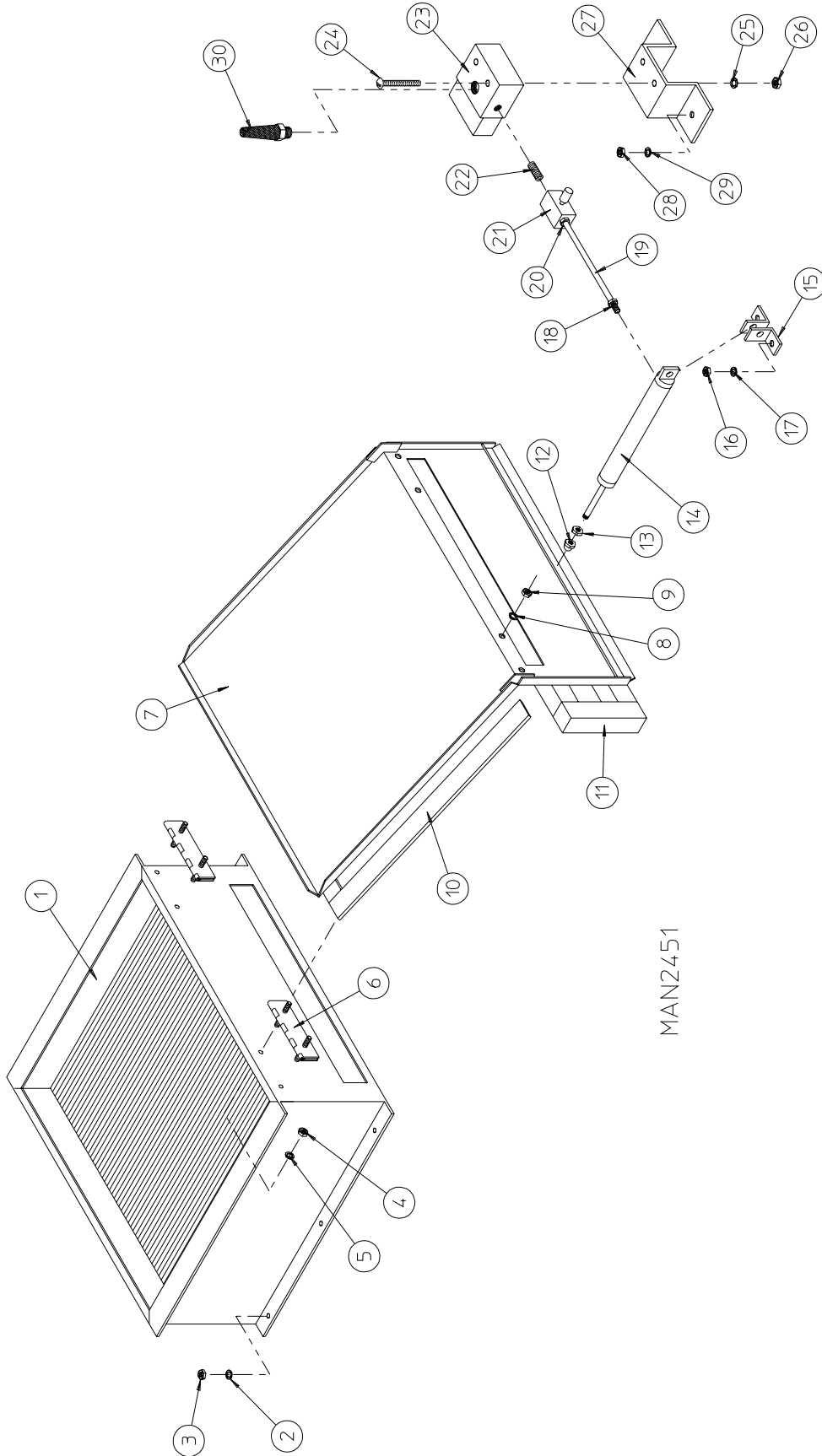


MAN0760

ELECTRIC OVEN (REAR VIEW)

| <u>Illus. No.</u> | <u>Part No.</u> | <u>Qty.</u> | <u>Description</u>  |
|-------------------|-----------------|-------------|---|
| 1                 | 803005          | 1           | Large Electric Oven Box ONLY  |
|                   | -----*          | 1           | Electric Oven Assembly Complete   |
| 2                 | -----*          | -           | Electric Element  |
| 3                 | 150300          | 2           | #10-16 x 1/2" Hex Washer TEK PLTD   |
| 4                 | 802800          | 1           | Sail Switch Box with Bracket and Cover ONLY   |
|                   | 802801          | 1           | Sail Switch Box Assembly Complete<br>(includes illus. nos. 4 through 12)                            |
| 5                 | 154004          | 1           | Twin Speed Nut  |
| 6                 | 150309          | 2           | #10-16 x 1/2" Hex Head TEK Crimptite Screw  |
| 7                 | 802799          | 1           | Sail Switch Box Cover and Bracket ONLY<br>(refer to <b>Sail Switch Assembly</b> on <b>page 38</b> ) |
| 8                 | 122200          | 1           | Sail Switch ONLY  |
| 9                 | 150303          | 2           | #4 x 3/4" Pan Head "A" Machine Screw  |
| 10                | 105500          | 1           | Sail Switch Actuator Rod  |
| 11                | 319202          | 1           | Sail Switch Damper (flat)   |
| 12                | 154002          | 1           | 1/8" Push On Fastener   |
| 13                | 150300          | 2           | #10-16 x 1/2" Hex Washer TEK PLTD   |
| 14                | 803100          | 1           | Electric Oven Front Cover ONLY  |
| 15                | 320611          | 1           | Large Relay Box Cover ONLY  |
| 16                | 150402          | 2           | #10-24 x 5/8" Slotted Truss Head Machine Screw  |
| 17                | 130400          | 1           | 290° Hi-Limit   |
| 18                | 150300          | 2           | #10-16 x 1/2" Hex Washer TEK PLTD   |
| 19                | 154001          | 2           | #10-24 Speed Nut  |
| 20                | 121012          | 1           | Terminal Lug for 110-8 Wire   |
| 21                | 152014          | 3           | 1/4-20 Free Spin Wash Nut   |
| 22                | -----*          | 1           | Oven Relay  |
| 23                | -----*          | 1           | Oven Relay Replacement Coil   |
| 24                | 120081          | -           | Internal Ceramic Insulator (2 per element)  |
| 25                | 120080          | -           | External Ceramic Insulator (2 per element)  |
| 26                | 152008          | -           | #10-32 Hex Nut (4 per element)  |
| 27                | 121011*         | -           | Bus Bar   |
| 28                | -----*          | -           | Terminal Lug  |
| 29                | 153009          | -           | #10 Star Washer (2 per element)   |
| 30                | 320607          | 1           | Large Electric Oven Right Side Cover ONLY   |
| 31                | 150402          | 2           | #10-24 x 5/8" Truss Head Machine Screw  |

\* Refer to **Electric Oven Component Application Chart** on **page 41**.

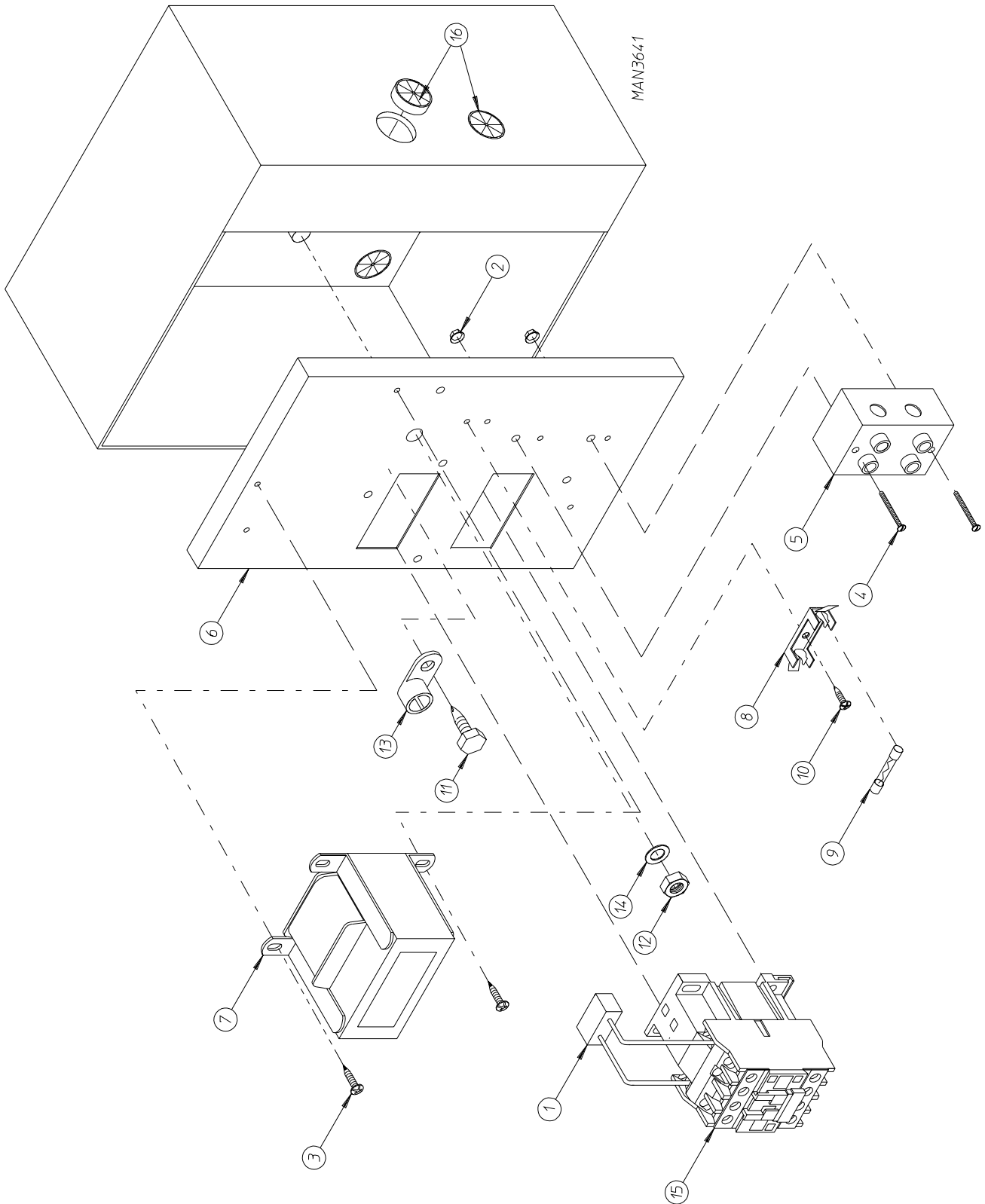


MAN2451



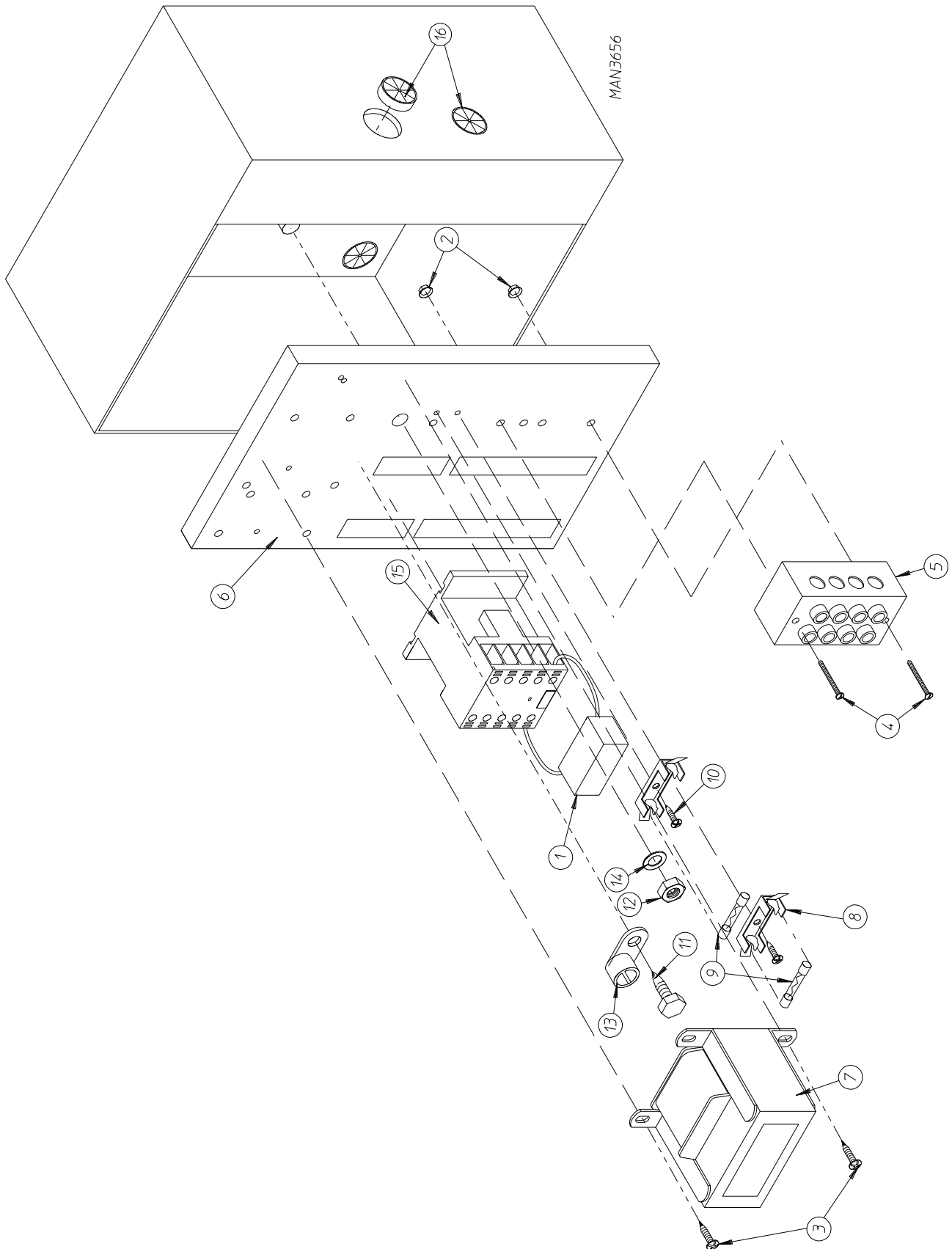
---

| <u>Illus. No.</u> | <u>Part No.</u> | <u>Qty.</u> | <u>Description</u>  |
|-------------------|-----------------|-------------|---|
| 1                 | 165009          | 1           | Steam Coil Assembly   |
| 2                 | 153002          | 6           | 5/16" Lock Washer   |
| 3                 | 152004          | 6           | 5/16-18 Hex Nut   |
| 4                 | 152002          | 4           | 1/4-20 Hex Nut  |
| 5                 | 153007          | 4           | 1/4" Lock Washer  |
| 6                 | 820321          | 2           | Steam Damper Hinge Assembly                                   |
| 7                 | 803415          | 1           | Steam Damper Assembly<br>(includes illus. nos. 7, 10, and 11) |
| 8                 | 153007          | 4           | 1/4" Lock Washer  |
| 9                 | 152002          | 4           | 1/4-20 Hex Nut  |
| 10                | 115995          | 108         | Steam Damper Gasket (sold by the inch)                        |
| 11                | 102350          | 1           | Steam Damper Foam (68-1/2" length)                            |
| 12                | 151007          | 1           | 7/16-20 Stainless Steel Acorn Nut                             |
| 13                | 152007          | 1           | 7/16-20 Hex Nut   |
| 14                | 100497          | 1           | 1-1/4" Bore x 3" Stroke Piston                                |
| 15                | 100492          | 1           | Piston Support Bracket  |
| 16                | 152002          | 4           | 1/4-20 Hex Nut  |
| 17                | 153007          | 4           | 1/4" Lock Washer  |
| 18                | 100472          | 1           | 1/4" x 1/8" Connector   |
| 19                | 143110          | 1           | 1/4" Tubing (sold by the foot)                                |
| 20                | 100472          | 1           | 1/4" x 1/8" Connector   |
| 21                | 100496          | 1           | 1/8" Needle Valve   |
| 22                | 143238          | 1           | 1/8" Close Nipple   |
| 23                | 100498          | 1           | 3-Way Micro Valve - 24 VAC                                    |
| 24                | 150002          | 2           | #6-32 x 1" Slotted Machine Screw                              |
| 25                | 153010          | 2           | #6 Star Washer  |
| 26                | 152000          | 2           | #6-32 Hex Nut   |
| 27                | 330987          | 1           | Micro Valve Support Bracket                                   |
| 28                | 152002          | 2           | 1/4-20 Hex Nut  |
| 29                | 153007          | 2           | 1/4" Lock Washer  |
| 30                | 100520          | 1           | 1/8" N.P.T. Silencer (muffler)                                |



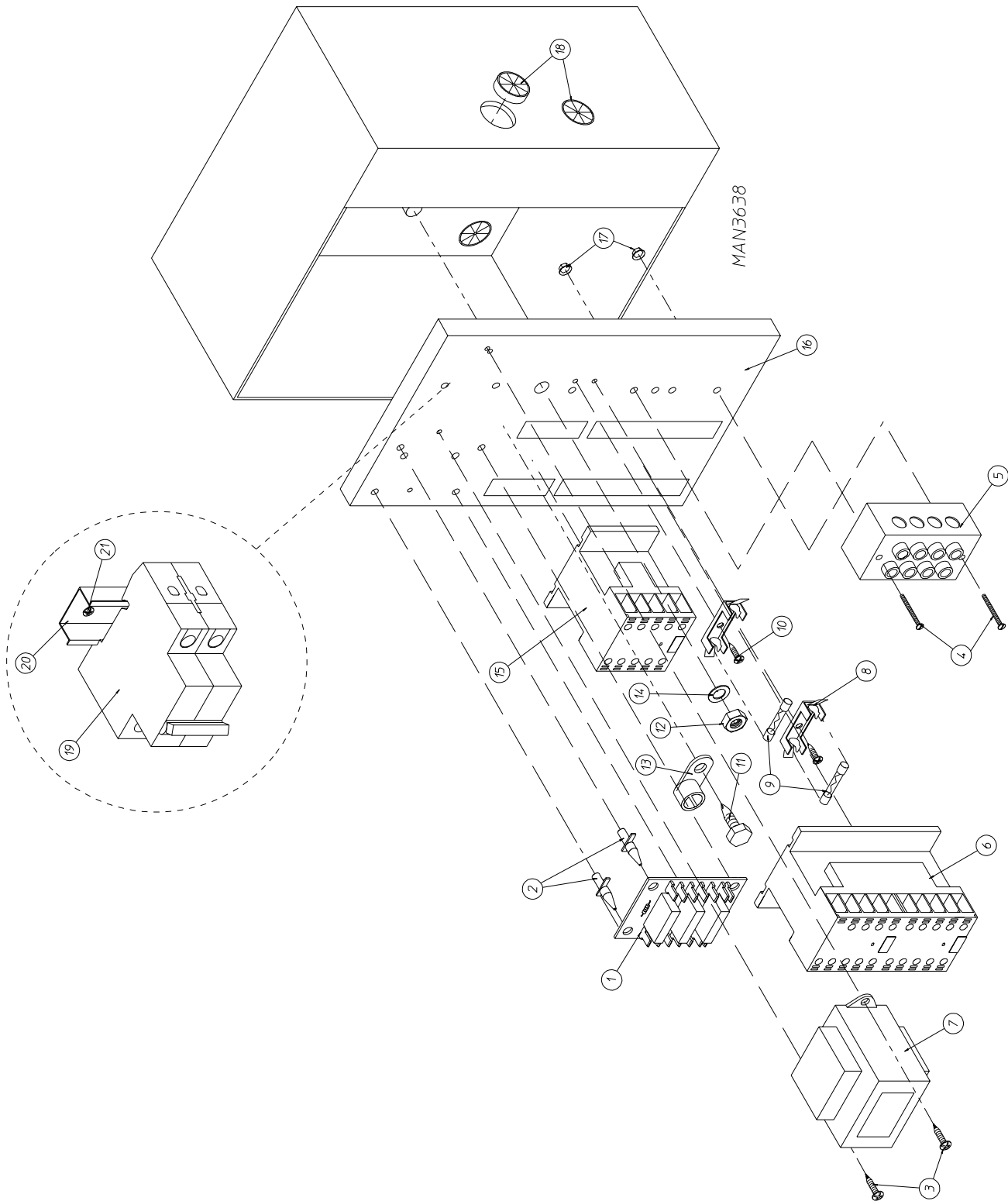
| <u>Illus. No.</u> | <u>Part No.</u> | <u>Qty.</u> | <u>Description</u>  |
|-------------------|-----------------|-------------|---|
| 1                 | 137015          | 1           | RC Network  |
| 2                 | 151000          | 2           | #6-32 Pal Nut   |
| 3                 | 150300          | 2           | #10-16 x 1/2" Hex Washer TEK PLTD   |
| 4                 | 150008          | 2           | #6-32 x 1-1/4" Phillips Round Head Machine Screw  |
| 5                 | 120716          | 1           | 2-Position Terminal Block   |
| 6                 | 306304          | 1           | Electric Relay Panel Mounting Plate ONLY  |
|                   | 881751          | 1           | 120 Volt - 1 $\phi$ Electric Relay Panel Assembly Complete<br>(includes illus. nos. 1 through 11, 13, and 15)<br>For Use On Gas Models ONLY     |
|                   | 881754          | 1           | 208/240 Volt - 1 $\phi$ Electric Relay Panel Assembly Complete<br>(includes illus. nos. 1 through 11, 13, and 15)<br>For Use On Gas Models ONLY |
| 7                 | -----           | 1           | Step Down Transformer<br>(refer <b>Step Down Transformer Usage Listing</b> on <b>page 42</b> )  |
| 8                 | 136008          | *           | Fuse Holder ONLY  |
| 9                 | 136049          | 1           | 3/4-Amp (slo blo) Fuse<br>(for 120 volt models Only)  |
|                   | 136057          | 2           | 1/2-Amp (slo blo) Fuse<br>(for 208/240 volt models Only)  |
| 10                | 150301          | *           | #8-18 x 7/16" Phillips Pan Head TEK Screw   |
| 11                | 150247          | 1           | #10 x 1/2" Hex Washer TEK Screw - Green   |
| 12                | 152004          | 1           | 5/16-18 Hex Nut   |
| 13                | 121010          | 1           | L-70 Ground Lug   |
| 14                | 153002          | 1           | 5/16" Lock Washer   |
| 15                | 132445          | 1           | 3-Pole Contactor - 24 VAC   |
| 16                | 121300          | 3           | Open/Closed Bushing   |

\* As required.

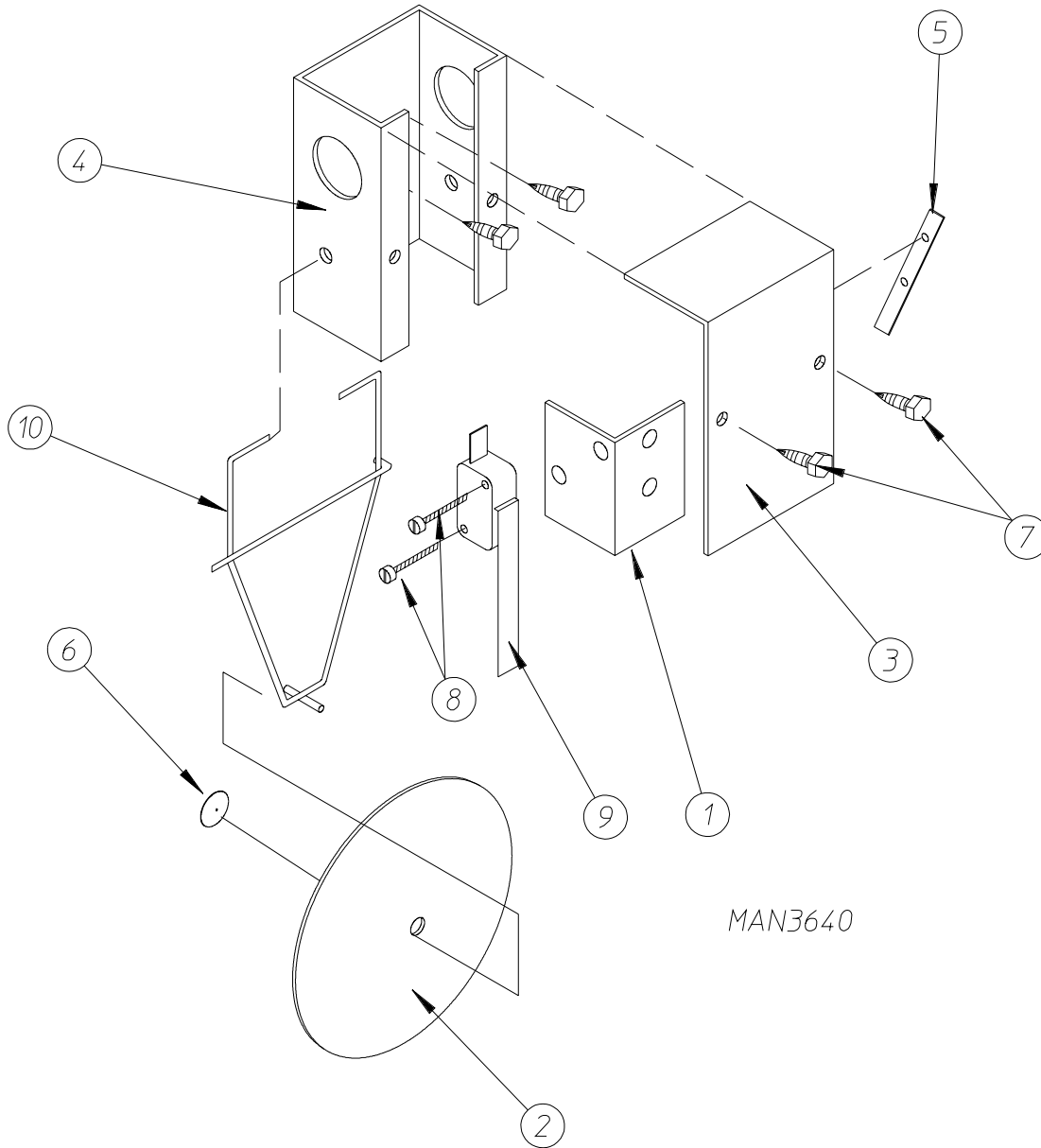


---

| <u>Illus. No.</u> | <u>Part No.</u> | <u>Qty.</u> | <u>Description</u>  |
|-------------------|-----------------|-------------|---|
| 1                 | 137015          | 1           | RC Network  |
| 2                 | 151000          | 2           | #6-32 Pal Nut   |
| 3                 | 150300          | 2           | #10-16 x 1/2" Hex Washer TEK PLTD   |
| 4                 | 150008          | 2           | #6-32 x 1-1/4" Phillips Round Head Machine Screw  |
| 5                 | 120701          | 1           | 4-Position Terminal Block   |
| 6                 | 322812          | 1           | Electric Relay Panel Mounting Plate ONLY  |
|                   | 881800          | 1           | 208/240 Volt - 3 $\phi$ Non-Reversing Electric Relay Panel Assembly Complete<br>(includes illus. nos. 1 through 11, 13, and 15)<br>For Use On Gas Models ONLY |
| 7                 | -----           | 1           | Step Down Transformer<br>(refer <b>Step Down Transformer Usage Listing</b> on <b>page 42</b> )  |
| 8                 | 136008          | 2           | Fuse Holder ONLY  |
| 9                 | 136057          | 2           | 1/2-Amp (slo blo) Fuse  |
| 10                | 150301          | 2           | #8-18 x 7/16" Phillips Pan Head TEK Screw   |
| 11                | 150297          | 1           | #10 x 1/2" Hex Washer TEK Screw - Green   |
| 12                | 152004          | 1           | 5/16-18 Hex Nut   |
| 13                | 121010          | 1           | L-70 Ground Lug   |
| 14                | 153002          | 1           | 5/16" Lock Washer   |
| 15                | 132447          | 1           | 3-Pole Contactor - 24 VAC   |
| 16                | 121300          | 3           | Open/Closed Bushing   |



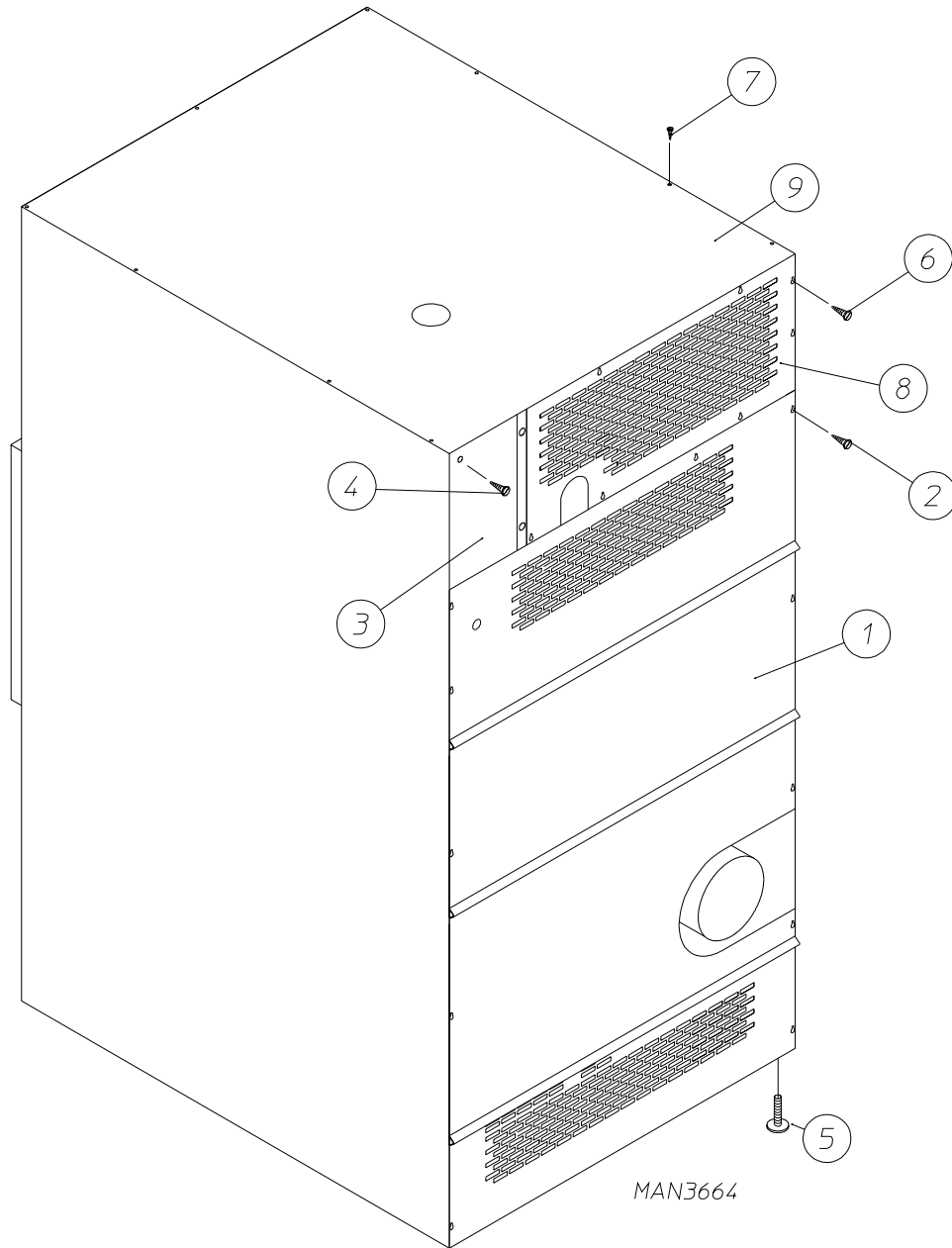
| <u>Illus. No.</u> | <u>Part No.</u> | <u>Qty.</u> | <u>Description</u>  |
|-------------------|-----------------|-------------|---|
| 1                 | 137060          | 1           | Arc Suppressor (A.S.) Board   |
| 2                 | 137013          | 4           | Nylon Standoff  |
| 3                 | 150300          | 2           | #10-16 x 1/2" Hex Washer TEK PLTD   |
| 4                 | 150008          | 2           | #6-32 x 1-1/4" Phillips Round Head Machine Screw  |
| 5                 | 120701          | 1           | 4-Position Terminal Block   |
| 6                 | 132448          | 1           | Reversing Contactor (208/230/240/380/460 volt) 24 VAC   |
| 7                 | -----           | 1           | Step Down Transformer<br>(refer <b>Step Down Transformer Usage Listing</b> on <b>page 42</b> )  |
| 8                 | 136008          | 2           | Fuse Holder ONLY (for 208-230/240 Volt models Only)   |
| 9                 | 136057          | 2           | 1/2-Amp (slo blo) Fuse (for 208-230/240 Volt models Only)   |
| 10                | 150301          | 2           | #8-18 x 7/16" Phillips Pan Head TEK Screw   |
| 11                | 150297          | 1           | #10 x 1/2" Hex Washer TEK Screw - Green   |
| 12                | 152004          | 1           | 5/16-18 Hex Nut   |
| 13                | 121010          | 1           | L-70 Ground Lug   |
| 14                | 153002          | 1           | 5/16" Lock Washer   |
| 15                | 132447          | 1           | 3-Pole Contactor - 24 VAC   |
| 16                | 322812          | 1           | Electric Relay Panel Mounting Plate ONLY  |
|                   | 881764          | 1           | 208-230/240 Volt Reversing Electric Relay Panel Assembly Complete<br>(includes illus. nos. 1 through 11, 13 through 17)<br>For Use On Gas Models ONLY         |
|                   | 881766          | 1           | 380/416 Volt Reversing Electric Relay Panel Assembly Complete<br>(includes illus. nos. 1 through 11, 13 through 17)<br>For Use On Gas Models ONLY             |
|                   | 881719          | 1           | 460 Volt Reversing Electric Relay Panel Assembly Complete<br>(includes illus. nos. 1 through 11, 13 through 17, 19, 20, and 21)<br>For Use On Gas Models ONLY |
|                   | 881755          | 1           | 208-230/240 Volt Reversing Electric Relay Panel Assembly Complete<br>(includes illus. nos. 1 through 11, 13 through 17)<br>For Use On Steam Models ONLY       |
|                   | 881765          | 1           | 380/416 Volt Reversing Electric Relay Panel Assembly Complete<br>(includes illus. nos. 1 through 11, 13 through 17)<br>For Use On Steam Models ONLY           |
| 17                | 151000          | 2           | #6-32 Pal Nut   |
| 18                | 121300          | 3           | Open/Closed Bushing   |
| 19                | 135501          | 1           | 1-Amp Double Pole Circuit Breaker (for 460/480 volt models Only)  |
| 20                | 120768          | 2           | Din Mounting Rail (sold by the inch)<br>For 460/480 Volt Models ONLY  |
| 21                | 150300          | 2           | #10-16 x 1/2" Hex Washer TEK PLTD<br>For 460/480 Volt Models ONLY   |



| Illus. No. | Part No. | Qty. | Description  |
|------------|----------|------|--|
| 1          | 319203   | 1    | Sail Switch Mounting Bracket   |
| 2          | 319202   | 1    | Sail Switch Damper (flat)  |
| 3          | 319201   | 1    | Sail Switch Box Cover  |
| 4          | 319200   | 1    | Sail Switch Box  |
| 5          | 154004   | 1    | Twin Speed Nut   |
| 6          | 154002   | 1    | 1/8" Push On Fastener  |
| 7          | 150309   | 4    | #10-16 x 1/2" Hex Head TEK Crimptite Screw                               |
| 8          | 150303   | 2    | #4 x 3/4" Pan Head "A" Machine Screw                                     |
| 9          | 122200   | 1    | Sail Switch ONLY   |
|            | 881706   | 1    | Sail Switch Box Assembly Complete<br>(includes illus. nos. 1 through 10) |
| 10         | 105500   | 1    | Sail Switch Actuator Rod   |

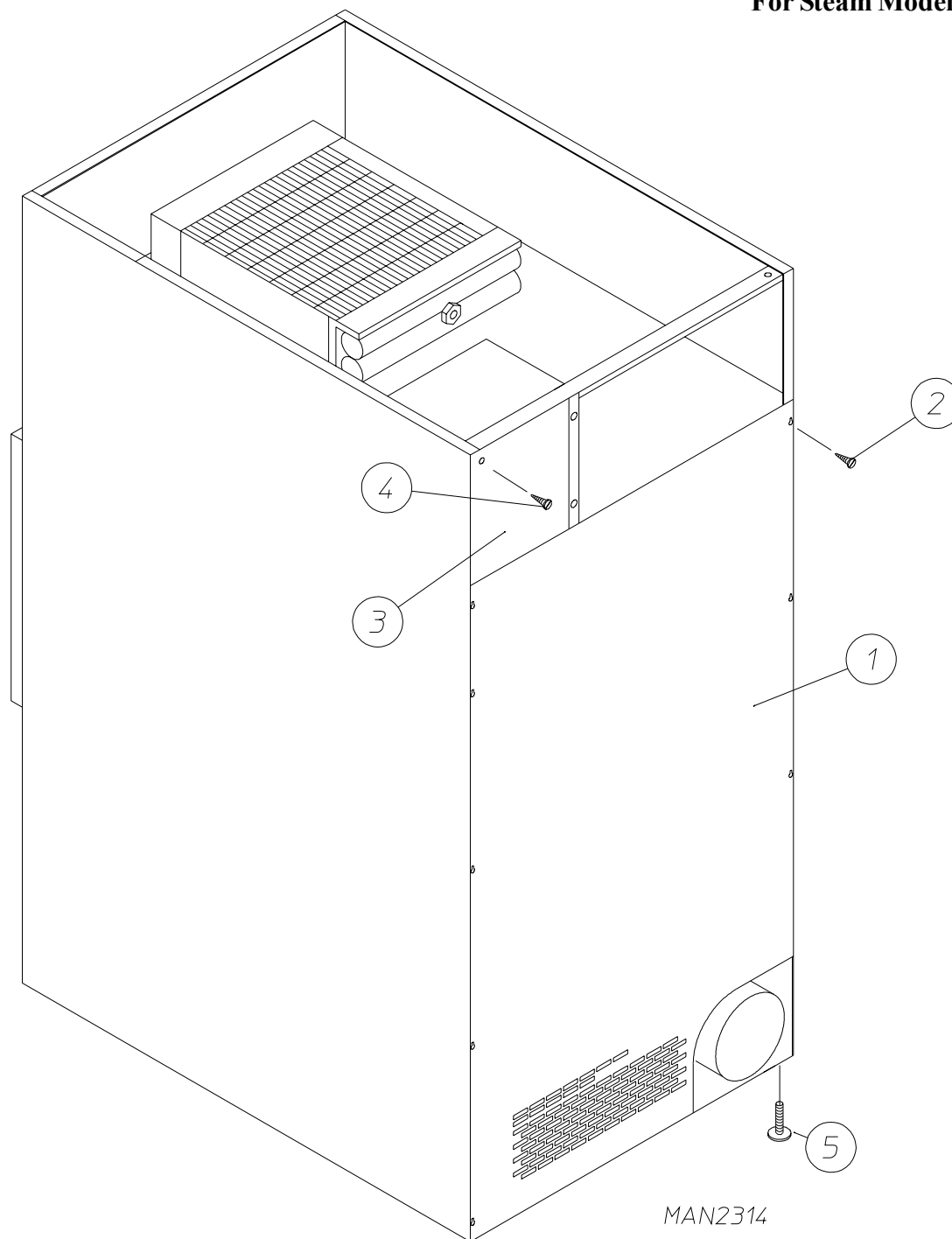


**For Gas and Electric Models ONLY**



| <u>Illus. No.</u> | <u>Part No.</u> | <u>Qty.</u> | <u>Description</u>                        |
|-------------------|-----------------|-------------|---|
| 1                 | 314514          | 1           | Bottom Back Guard                         |
| 2                 | 150301          | 12          | #8-18 x 7/16" Phillips Pan Head TEK Screw |
| 3                 | 322809          | 1           | Rear Electrical Box Cover                 |
| 4                 | 150301          | 4           | #8-18 x 7/16" Phillips Pan Head TEK Screw |
| 5                 | 103500          | 4           | Leveling Leg                              |
| 6                 | 150301          | 7           | #8-18 x 7/16" Phillips Pan Head TEK Screw |
| 7                 | 150300          | 12          | #10-16 x 1/2" Hex Washer TEK PLTD         |
| 8                 | 323738          | 1           | Top Back Guard                            |
| 9                 | 312527          | 1           | Outer Top                                 |

For Steam Models ONLY



| <u>Illus. No.</u> | <u>Part No.</u> | <u>Qty.</u> | <u>Description</u>                        |
|-------------------|-----------------|-------------|---|
| 1                 | 314511          | 1           | Bottom Back Guard                         |
| 2                 | 150300          | 2           | #10-16 x 1/2" Hex Washer TEK PLTD         |
|                   | 150301          | 8           | #8-18 x 7/16" Phillips Pan Head TEK Screw |
| 3                 | 322809          | 1           | Rear Electrical Box Cover                 |
| 4                 | 150301          | 4           | #8-18 x 7/16" Phillips Pan Head TEK Screw |
| 5                 | 103500          | 4           | Leveling Leg                              |

# MLE-75

| Kw | Volt    | Phase | Wire   | Oven Assembly*<br>Part No. | Elements |      |          | Oven Wire |      |          | Terminal Lug |          | Bus Bar<br>P/N 1210111 | Oven Relay |          | Relay Coil<br>Part No. |
|----|---------|-------|--------|----------------------------|----------|------|----------|-----------|------|----------|--------------|----------|------------------------|------------|----------|------------------------|
|    |         |       |        |                            | Qty.     | Size | Part No. | Qty.      | Size | Part No. | Qty.         | Part No. |                        | Cat. No.   | Part No. |                        |
| 40 | 416     | 3ø    | 3 or 4 | 824822                     | 6        | 6.6  | 120027   | 4         | #6   | 133200   | 9            | 121010   | 1                      | DPA63      | 131369   | N/A                    |
| 36 | 208     | 3ø    | 3 or 4 | 824921                     | 6        | 6    | 120015   | 4         | #2   | 133302   | 4            | 121012   | 1                      | GEAJ       | 131385   | 131386                 |
| 36 | 230     | 3ø    | 3      | 824026                     | 6        | 6    | 120014   | 4         | #2   | 133302   | 9            | 121012   | 1                      | GEAJ       | 131385   | 131386                 |
| 36 | 416     | 3ø    | 3 or 4 | 824921                     | 6        | 6    | 120015   | 4         | #4   | 133300   | 4            | 121012   | 1                      | DPA43      | 131357   | N/A                    |
| 36 | 460/480 | 3ø    | 3 or 4 | 824920                     | 6        | 6    | 120014   | 4         | #2   | 133302   | 9            | 121012   | 1                      | DPA43      | 131357   | N/A                    |
| 33 | 380     | 3ø    | 3 or 4 | 824921                     | 6        | 6    | 120015   | 4         | #2   | 133302   | 4            | 121012   | 1                      | DPA43      | 131357   | N/A                    |
| 30 | 208     | 3ø    | 3 or 4 | 824918                     | 6        | 5    | 120012   | 6         | #4   | 133300   | 3            | 121012   | 1                      | FEAJ       | 131375   | 131386                 |
| 30 | 230     | 3ø    | 3      | 824935                     | 6        | 5    | 120013   | 3         | #4   | 133300   | 4            | 121012   | 1                      | DPA63      | 131369   | N/A                    |
| 30 | 416     | 3ø    | 3 or 4 | 824947                     | 6        | 5    | 120012   | 4         | #8   | 133100   | 6            | 121010   | 2                      | DPA43      | 131357   | N/A                    |
| 30 | 460/480 | 3ø    | 3 or 4 | 824953                     | 6        | 5    | 120013   | 4         | #8   | 133100   | 6            | 121010   | 2                      | BEAJ       | 131357   | N/A                    |
| 25 | 380     | 3ø    | 3 or 4 | 824940                     | 6        | 5    | 120012   | 4         | #8   | 133100   | 6            | 121010   | 2                      | BEAJ       | 131350   | 131356                 |
| 24 | 208     | 3ø    | 3 or 4 | 824916                     | 6        | 4    | 120010   | 3         | #4   | 133300   | 4            | 121012   | 1                      | DPA63      | 131369   | N/A                    |
| 24 | 230     | 3ø    | 3      | 824933                     | 6        | 4    | 120011   | 3         | #6   | 133200   | 3            | 121010   | 1                      | DEAJ       | 131365   | 131371                 |
| 24 | 416     | 3ø    | 3 or 4 | 824946                     | 6        | 4    | 120010   | 4         | #8   | 133100   | 6            | 121010   | 2                      | BEAJ       | 131350   | 131356                 |
| 24 | 460/480 | 3ø    | 3 or 4 | 824952                     | 6        | 4    | 120011   | 4         | #10  | 133000   | 6            | 121010   | 2                      | BEAJ       | 131350   | 131356                 |
| 20 | 208     | 1ø    | 2      | 824904                     | 5        | 4    | 120010   | 2         | #4   | 133300   | 2            | 121010   | 2                      | GEAJ       | 131385   | 131386                 |
| 20 | 230     | 1ø    | 2      | 824926                     | 5        | 4    | 120011   | 2         | #4   | 133300   | 3            | 121010   | 2                      | FEAJ       | 131375   | 131386                 |
| 20 | 380     | 3ø    | 3 or 4 | 824939                     | 6        | 4    | 120010   | 4         | #10  | 133000   | 6            | 121010   | 2                      | BEAJ       | 131350   | 131356                 |

\* Oven assembly complete *does not include* oven relay. This item **must be** ordered separately. When ordering Oven Assembly Complete, specify 3 wire or 4 wire when applicable, as well as if dryer has Microprocessor or non-Microprocessor controls.

N/A = Not Available.

| <b>STEP DOWN TRANSFORMER USAGE LISTING</b> |                     |                     |              |
|--|---------------------|---------------------|--------------|
| <b>VOLTAGE</b>                             | <b>WIRE SERVICE</b> | <b>ADC PART No.</b> |              |
|  |                     | <b>GAS</b>          | <b>STEAM</b> |
| 120/208/240                                | 2                   | 132070              | 132083       |
| 208-240                                    | 3 or 4              | 132082              | 132082       |
| 380  | 3                   | 132082              | 132082       |
| 380  | 4                   | 132082              | 132082       |
| 416  | 3                   | 132082              | 132082       |
| 416  | 4                   | 132067              | -----        |
| 460/480                                    | 3                   | 132067              | -----        |
| 460/480                                    | 4                   | 132070              | -----        |

**NOTE:** Each transformer requires one (1) Transformer Termination Kit (ADC Part No. 881763).

---

| <u>Part No.</u> | <u>Description</u>                                 |
|-----------------|--|
| 112039          | “Black/White/Green Ground” Label                   |
| 112280          | “Clean Lint Screen” Label                          |
| 112284          | “Phase 6 OPL Program Location Summary” Label       |
| 114001          | “CAUTION-Exhaust/Lint Screen” Label                |
| 114006          | “WARNING - Fire Hazards” Label                     |
| 120100          | 3/8” Straight (BX) Connector                       |
| 120300          | 3/8” x 45° (BX) Connector                          |
| 120400          | 3/8” Red Jacket (BX) Insulator                     |
| 120500          | 3/8” Jiffy Clip (BX) Retainer Clip                 |
| 120600          | 3/8” Greenfield (BX)                               |
| 120800          | 1/4” In-Line Connector                             |
| 120802          | Red Butt Connector                                 |
| 120902          | #74B Wire Nut                                      |
| 120903          | Crimp-On Wire Nut                                  |
| 121014          | 1/4” Insulated (female) Terminal                   |
| 121499          | 5-1/2” Harness Tie                                 |
| 121500          | 7” Harness Tie                                     |
| 121503          | Harness Tie Mounting Clip                          |
| 122804          | Manometer (hydro gauge) For Measuring Gas Pressure |
| 404502          | White Brush-In-Cap Bottle Touch-Up Paint           |
| 404507          | Cornflower Blue Brush-In-Cap Bottle Touch-Up Paint |
| 880884          | Basket (tumbler) Bearing Puller                    |

ADC450173

1 - 01/26/98-50  
4 \* 09/11/00-25

2 \* 02/25/98-50  
5 \* 03/22/01-25

3 \* 05/09/00-50  
6 \* 05/23/01-25

