



**MLG-96
(DSI)
Parts Manual
2000**

American Dryer Corporation
88 Currant Road
Fall River, MA 02720-4781
Telephone: (508) 678-9000 / Fax: (508) 678-9447
e-mail: techsupport@amdry.com

Retain This Manual In A Safe Place For Future Reference

American Dryer Corporation products embody advanced concepts in engineering, design, and safety. If this product is properly maintained, it will provide many years of safe, efficient, and trouble-free operation.

ONLY qualified technicians should service this equipment.

OBSERVE ALL SAFETY PRECAUTIONS displayed on the equipment or specified in the installation manual included with the dryer.

The following “**FOR YOUR SAFETY**” caution **must be** posted near the dryer in a prominent location.

FOR YOUR SAFETY

Do not store or use gasoline or other flammable vapors or liquids in the vicinity of this or any other appliance.

POUR VOTRE SÉCURITÉ

Ne pas entreposer ni utiliser d'essence ni d'autres vapeurs ou liquides inflammables dans le voisinage de cet appareil ou de tout autre appareil.

We have tried to make this manual as complete as possible and hope you will find it useful. **ADC** reserves the right to make changes from time to time, without notice or obligation, in prices, specifications, colors, and material, and to change or discontinue models.

Important

For your convenience, log the following information:

DATE OF PURCHASE _____ **MODEL NO.** **MLG-96**

RESELLER'S NAME _____

Serial Number(s) _____

Replacement parts can be obtained from your reseller or the **ADC** factory. When ordering replacement parts from the factory, you can FAX your order to **ADC** at (508) 678-9447 or telephone your order directly to the **ADC** Parts Department at (508) 678-9000. Please specify the dryer **model number** and **serial number** in addition to the **description** and **part number**, so that your order is processed accurately and promptly.

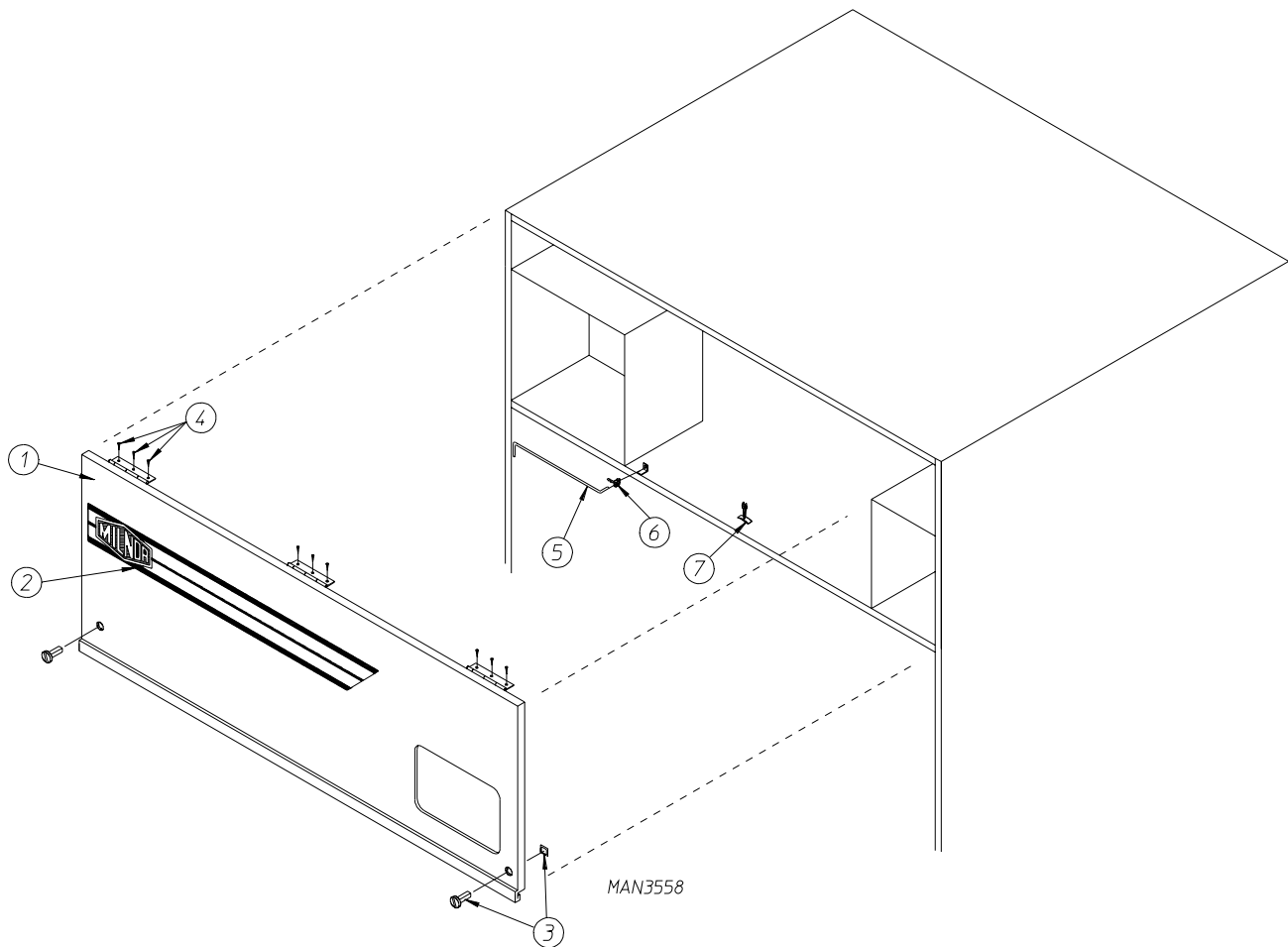
The illustrations on the following pages may not depict your particular dryer exactly. The illustrations are a composite from the various dryer models. Be sure to check descriptions of the parts thoroughly before ordering.

“IMPORTANT NOTE TO PURCHASER”

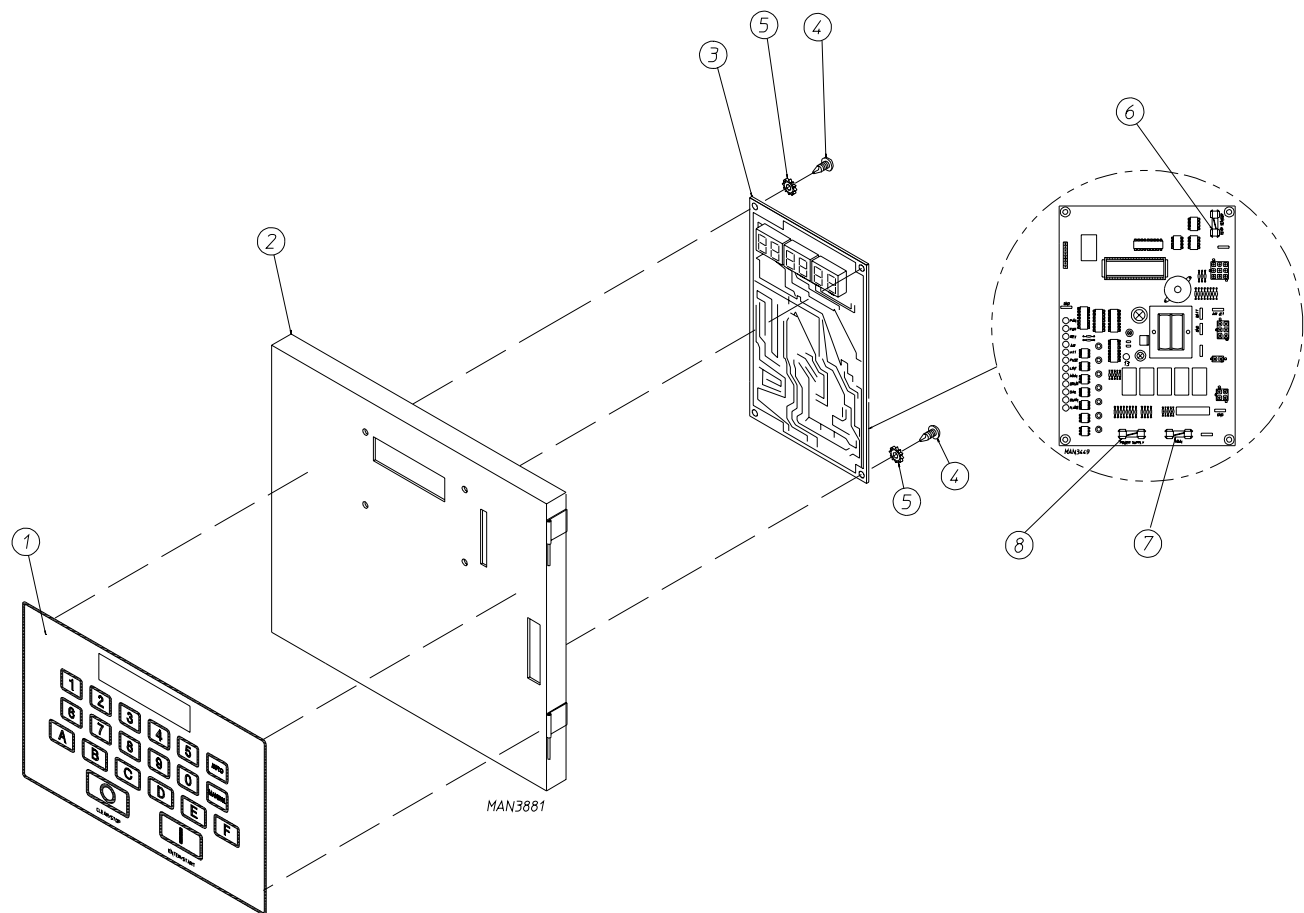
Information must be obtained from your local gas supplier on the instructions to be followed if the user smells gas. These instructions must be posted in a prominent location near the dryer.

Table of Contents

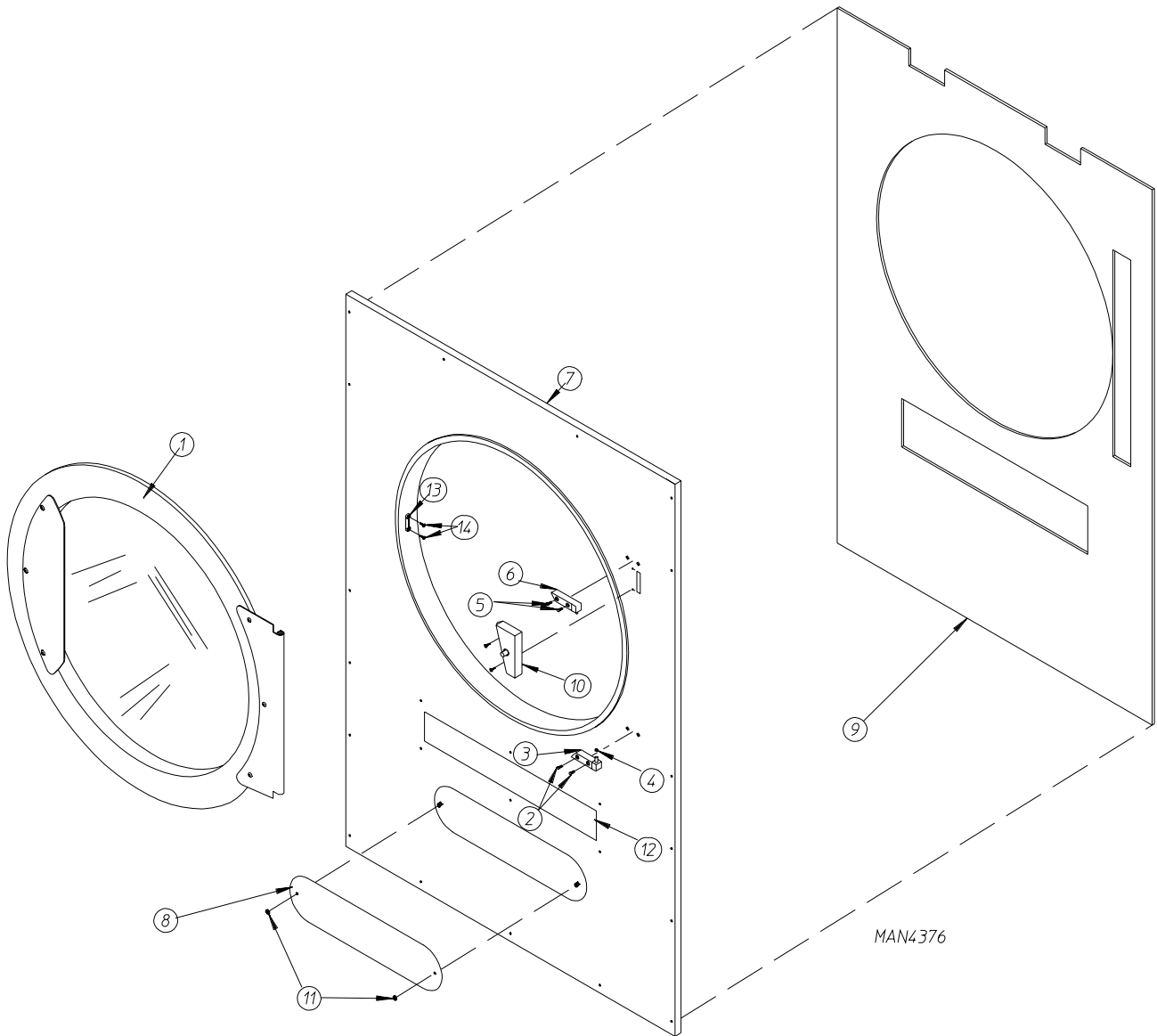
Control Door Assembly	2
Phase 6 Microprocessor Panel Assembly	3
Main Door/Front Panel Assembly	4, 5
Main Door Assembly	6, 7
Main Door Switch Assembly	8
Temperature Sensor Bracket Assembly	9
Wrapper Assembly	10
Lint Door Assembly	11
Basket (Tumbler) Assembly	12
Basket (Tumbler) Bearing Assembly	13
Idler Shaft Assembly	14
Drive Shaft Assembly	15
Drive Motor Assembly	16
Motorized Impellor (Fan) Assembly	17
Direct Spark Ignition (DSI) Burner Assembly	18, 19
Reversing Relay Panel Assembly	20, 21
Pneumatic Valve Assembly	22
Air Jet Assembly	23
Sail Switch Assembly	24
Exhaust Collar Assembly	25



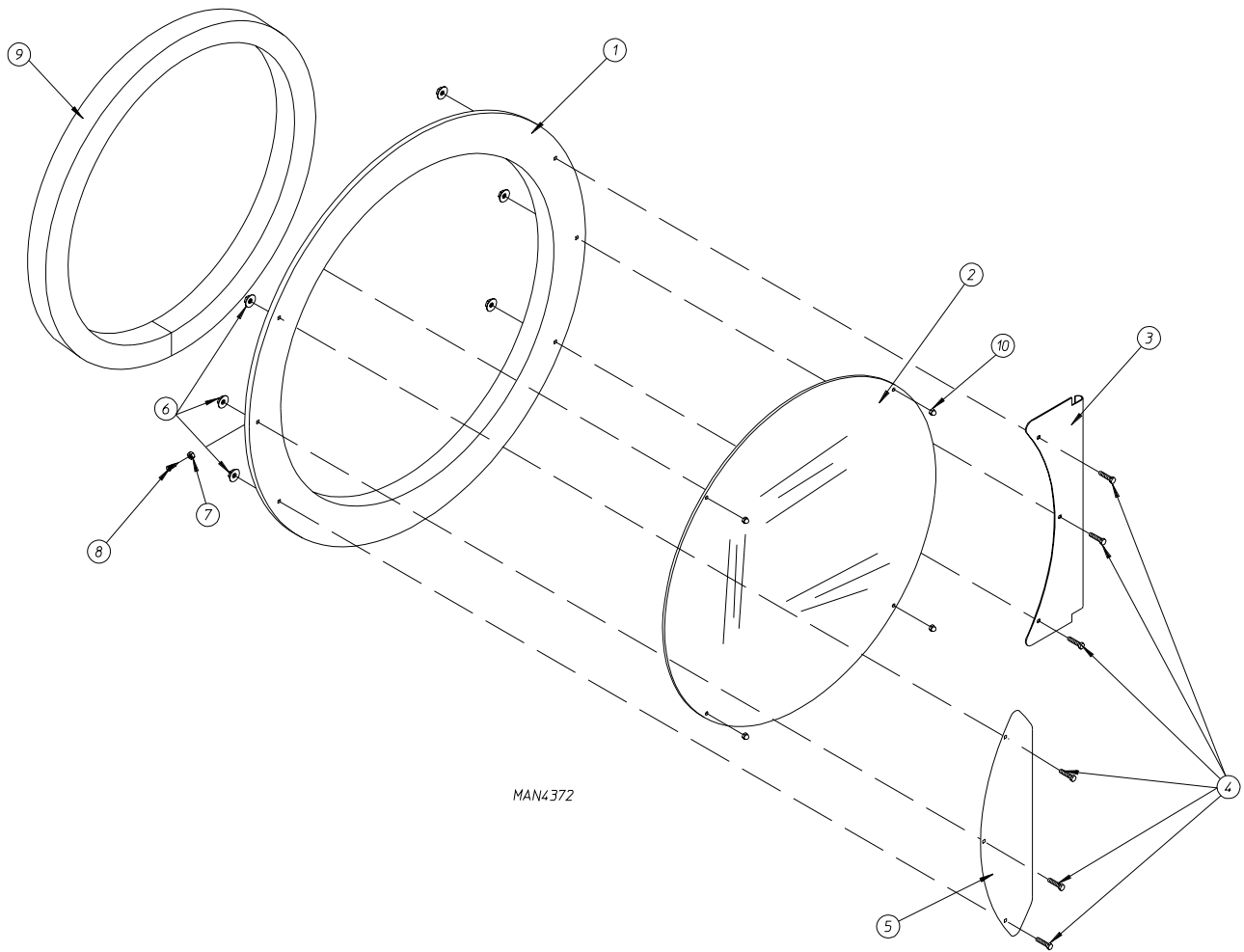
<u>Illus. No.</u>	<u>Part No.</u>	<u>Qty.</u>	<u>Description</u>
1	882246	1	White Control Door Assembly Complete (includes illus. nos. 1 and 3)
	882376	1	Cornflower Blue Control Door Assembly Complete (includes illus. nos. 1 and 3)
	882355	1	Corvel Dry Blue Control Door Assembly Complete (includes illus. nos. 1 and 3)
	882357	1	Coral Wrinkle Blue Control Door Assembly Complete (includes illus. nos. 1 and 3)
	882359	1	Coral Blue Control Door Assembly Complete (includes illus. nos. 1 and 3)
2	112368	1	Logo ONLY
3	882541	2	Spring Turn Latch (2-piece)
4	150309	9	#10-16 x 1/2" Hex Head TEK Crimptite Screw
5	102505	1	Control Door Support Rod
6	102601	1	Control Door Retainer Clip
7	102603	1	Control Door Rod Catch



<u>Illus. No.</u>	<u>Part No.</u>	<u>Qty.</u>	<u>Description</u>
1	112537	1	Phase 6 OPL Keyboard (touch pad)
	112276	1	OPL Stick-On Labels (English Only) ... Not Illustrated
	112275	1	OPL Stick-On Labels (Spanish, Italian, and Hebrew) ... Not Illustrated
	112277	1	3-Language OPL Stick-On Labels (English, Spanish, and Hebrew) ... Not Illustrated
	112278	1	5-Language OPL Stick-On Labels (Italian, Dutch, French, German, and Chinese) ... Not Illustrated
2	824480	1	Phase 6 Microprocessor Controller (computer) Panel ONLY
3	137124	1	Phase 6 Reversing Microprocessor Controller (computer) with Air Jet (for models mfd. as of June 26, 1998)
	137122	1	Phase 6 Reversing Microprocessor Controller (computer) without Air Jet (for models mfd. prior to June 26, 1998)
4	150005	6	#6-32 x 1/4" Phillips Round Head Machine Screw
5	153010	6	#6 Star Washer
6	136048	1	1/8-Amp (slo blo) Fuse
7	136017	1	3.5-Amp (fast acting) Fuse
8	136019	1	1-Amp (fast acting) Fuse

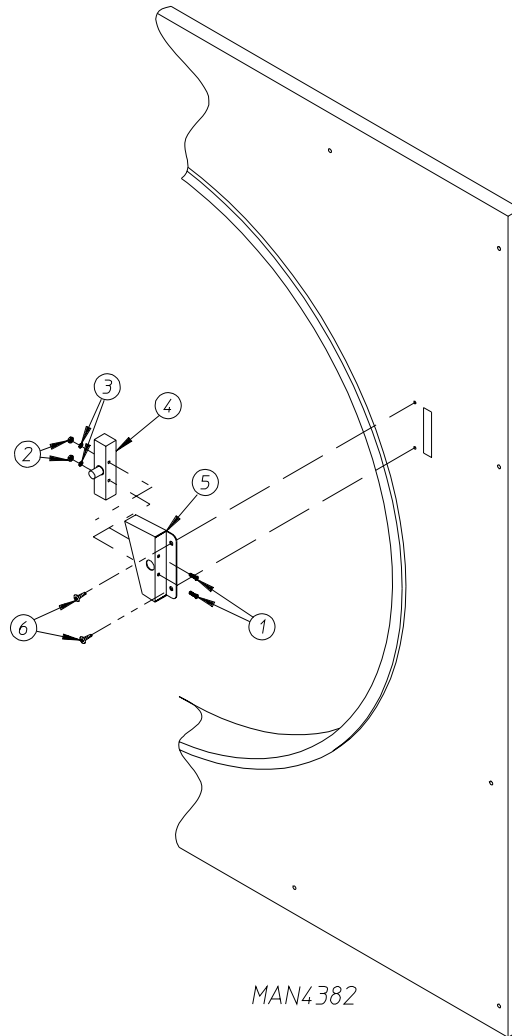


<u>Illus. No.</u>	<u>Part No.</u>	<u>Qty.</u>	<u>Description</u>
1	-----	1	Main Door (refer to Main Door Assembly on page 6 and page 7)
2	150443	2	Socket Cap Screw
3	881441	1	White Bottom Hinge Block
	882306	1	Cornflower Blue Bottom Hinge Block
	881735	1	Corvel Dry Blue Bottom Hinge Block
	882283	1	Coral Wrinkle Blue Bottom Hinge Block
	882335	1	Coral Blue Bottom Hinge Block
4	153031	1	Nylon Washer
5	150443	2	Socket Cap Screw
6	881440	1	White Top Hinge Block
	882307	1	Cornflower Blue Top Hinge Block
	881736	1	Corvel Dry Blue Top Hinge Block
	882284	1	Coral Wrinkle Blue Top Hinge Block
	882334	1	Coral Blue Top Hinge Block
7	882236	1	White Front Panel (includes illus. nos. 7, 13, and 14)
	882375	1	Cornflower Blue Front Panel Assembly (includes illus. nos. 7, 13, and 14)
	882344	1	Corvel Dry Blue Front Panel Assembly (includes illus. nos. 7, 13, and 14)
	882345	1	Coral Wrinkle Blue Front Panel Assembly (includes illus. nos. 7, 13, and 14)
	882346	1	Coral Blue Front Panel Assembly (includes illus. nos. 7, 13, and 14)
8	390227	1	Emblem
9	116326	1	Front Panel Insulation
10	-----	1	Main Door Switch (refer to Main Door Switch Assembly on page 8)
11	182507	2	1/4-20 High Crown Acorn Nut
12	-----	1	Lint Screen (refer to Lint Door Assembly on page 11)
13	170330	1	Friction Door Latch
14	154215	2	5/32 x 1/4" Rivet

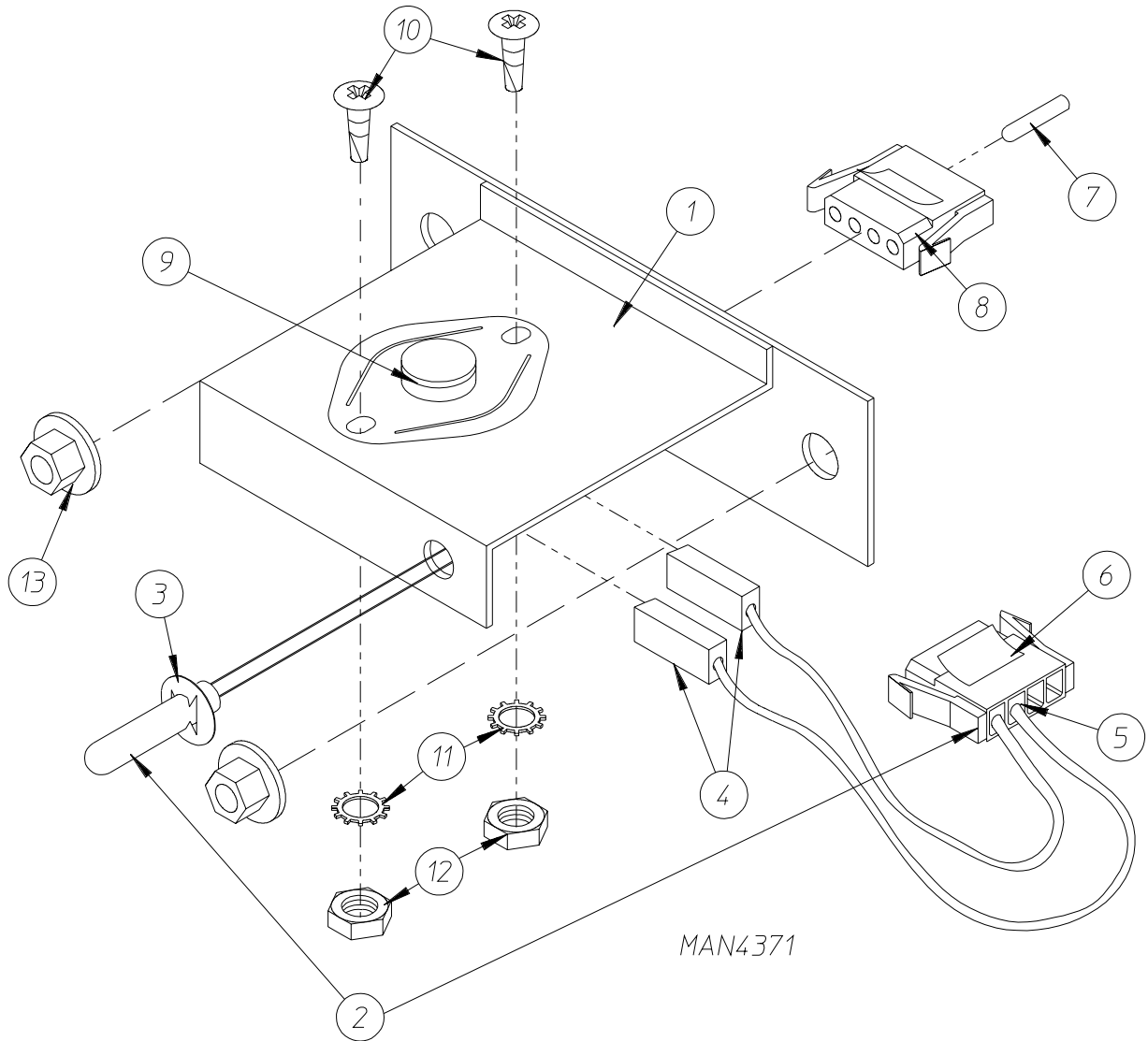


MAN4372

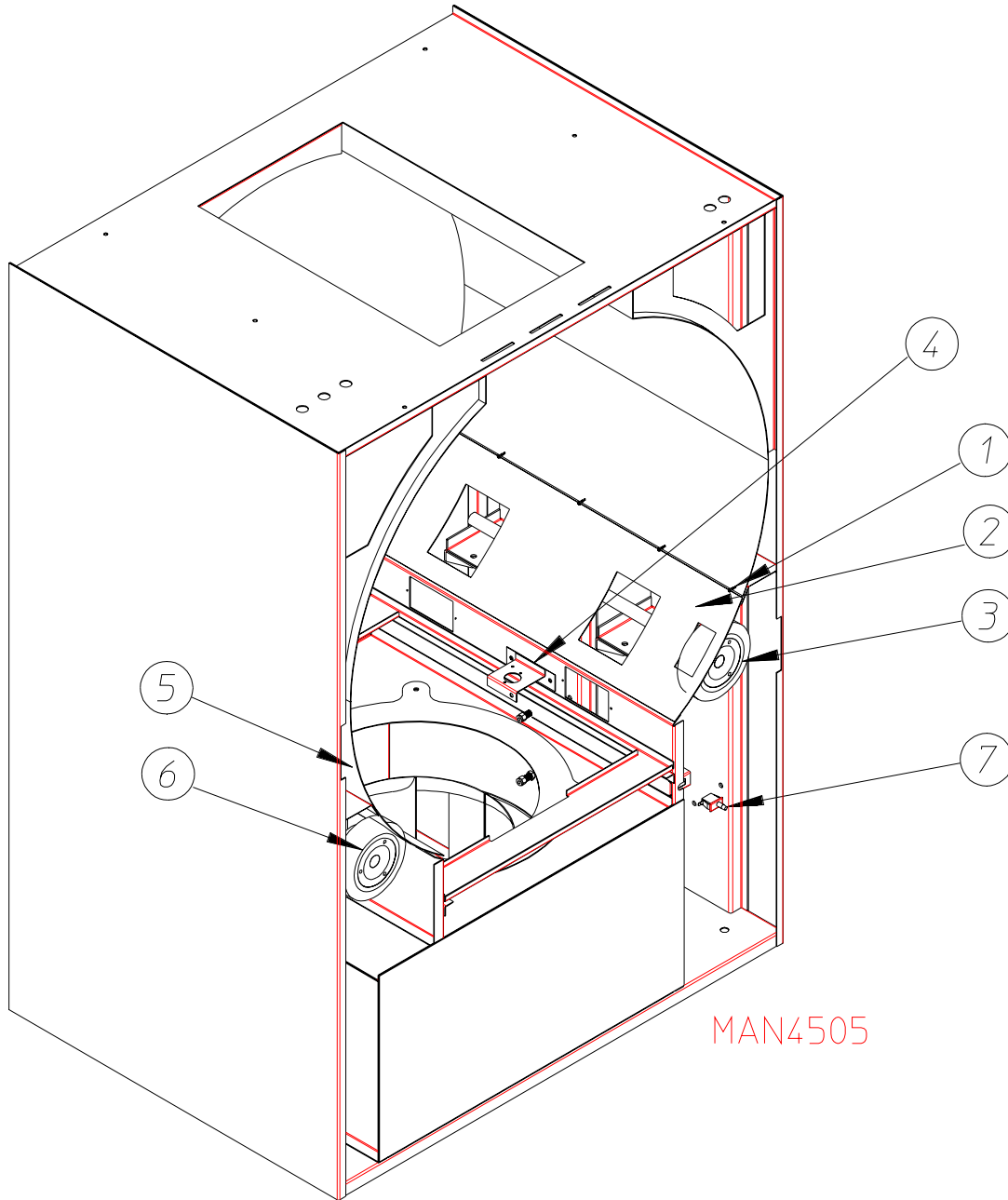
<u>Illus. No.</u>	<u>Part No.</u>	<u>Qty.</u>	<u>Description</u>
1	881968	1	White CRS Main Door Assembly (includes illus. nos. 1 through 10)
	882308	1	Cornflower Blue CRS Main Door Assembly (includes illus. nos. 1 through 10)
	881761	1	Corvel Dry Blue CRS Main Door Assembly (includes illus. nos. 1 through 10)
	882292	1	Coral Wrinkle Blue CRS Main Door Assembly (includes illus. nos. 1 through 10)
	882353	1	Coral Blue CRS Main Door Assembly (includes illus. nos. 1 through 10)
	881966	1	White CRS Large Main Door Ring (white)
	882309	1	Cornflower Blue CRS Large Main Door Ring
	881756	1	Corvel Dry Blue CRS Large Main Door Ring
	882305	1	Coral Wrinkle Blue CRS Large Main Door Ring
	882343	1	Coral Blue CRS Large Main Door Ring
2	102214	1	30" Main Door Glass
3	881685	1	White Main Door Hinge
	882310	1	Cornflower Blue Main Door Hinge
	881757	1	Corvel Dry Blue Main Door Hinge
	882296	1	Coral Wrinkle Blue Main Door Hinge
	882336	1	Coral Blue Main Door Hinge
4	881740	6	1/4-20 x 5/8" White Carriage Bolt
	882311	6	1/4-20 Carriage Bolt (cornflower blue)
	881739	6	1/4-20 Carriage Bolt (corvel dry blue)
	882339	6	1/4-20 Carriage Bolt (coral wrinkle blue)
	882336	6	Coral Blue Main Door Hinge
5	881688	1	White Main Door Handle
	882312	1	Cornflower Blue Main Door Handle
	881737	1	Corvel Dry Blue Main Door Handle
	882295	1	Coral Wrinkle Blue Main Door Handle
	882337	1	Coral Blue Main Door Handle
6	881806	6	1/4-20 Free Spin Wash Nut (white)
	882313	6	1/4-20 Free Spin Wash Nut (cornflower blue)
	881807	6	1/4-20 Free Spin Wash Nut (corvel dry blue)
	882293	6	1/4-20 Free Spin Wash Nut (coral wrinkle blue)
	882342	6	1/4-20 Free Spin Wash Nut (coral blue)
7	152008	1	#10-32 Hex Nut
8	150120	1	Door Latch Screw
9	102357	1	7/8" x 7/8" x 104" Door Gasket
10	151012	4	#10-32 Nylon Acorn Nut (white)



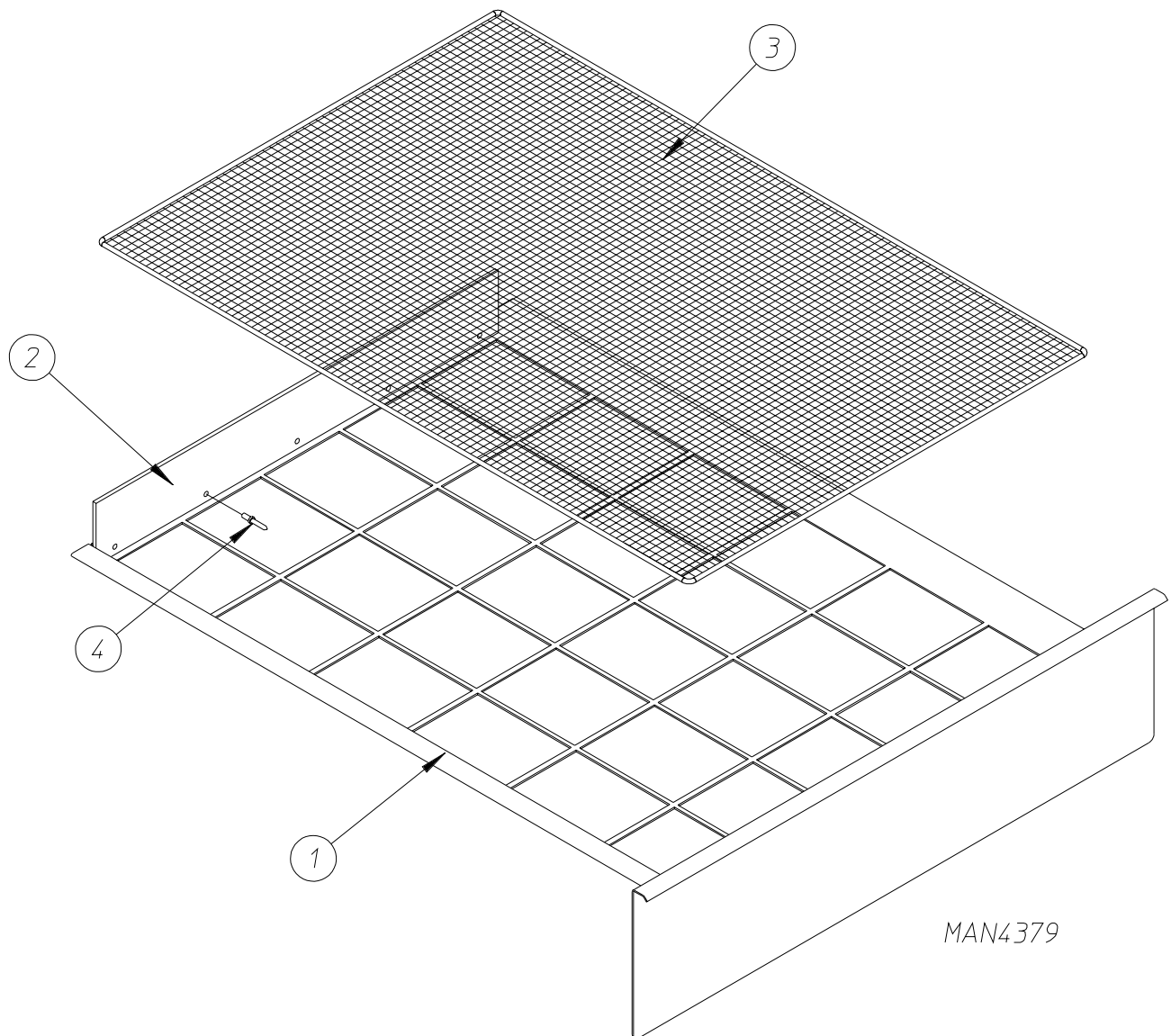
<u>Illus. No.</u>	<u>Part No.</u>	<u>Qty.</u>	<u>Description</u>
1	150006	2	#6-32 x 7/8" Phillips Pan Head Machine Screw
2	152013	2	#6-32 Hex Nut
3	153010	2	#6 Star Washer
4	137005	1	Main Door Switch ONLY
5	881702	1	White Main Door Switch Housing Assembly Complete (includes illus. nos. 1 through 5)
	882314	1	Cornflower Blue Main Door Switch Housing Assembly (includes illus. nos. 1 through 5)
	881700	1	Corvel Dry Blue Main Door Switch Housing Assembly (includes illus. nos. 1 through 5)
	882298	1	Coral Wrinkle Blue Main Door Switch Housing Assembly (includes illus. nos. 1 through 5)
	882341	1	Coral Blue Main Door Switch Housing Assembly (includes illus. nos. 1 through 5)
	881687	1	White Main Door Switch Housing ONLY
	882315	1	Cornflower Blue Main Door Switch Housing ONLY
	881695	1	Corvel Dry Blue Main Door Switch Housing ONLY
	882291	1	Coral Wrinkle Blue Main Door Switch Housing ONLY
	882338	1	Coral Blue Main Door Switch Housing ONLY
6	150301	2	#8-18 x 7/16" Phillips Pan Head TEK Screw



<u>Illus. No.</u>	<u>Part No.</u>	<u>Qty.</u>	<u>Description</u>
1	859372	1	Temperature Sensor Bracket Complete (includes illus. nos. 1 through 6 and 9 through 12)
	881089	1	Sensor Bracket
2	880252	1	4" Temperature Sensor Probe Assembly
3	154007	2	1/4" Push On Fastener
4	121028	1	1/4" Terminal
5	122701	4	Socket Terminal ONLY
6	122605	1	4-Position Female Connector
7	122700	4	Pin Terminal ONLY
8	122604	1	4-Position Male Connector
9	130302	1	225° Thermostat
10	150005	2	#6-32 x 1/4" Phillips Round Head Machine Screw
11	153010	2	#6 Star Washer
12	152013	2	#6-32 Hex Nut
13	152014	2	1/4-20 Free Spin Wash Nut

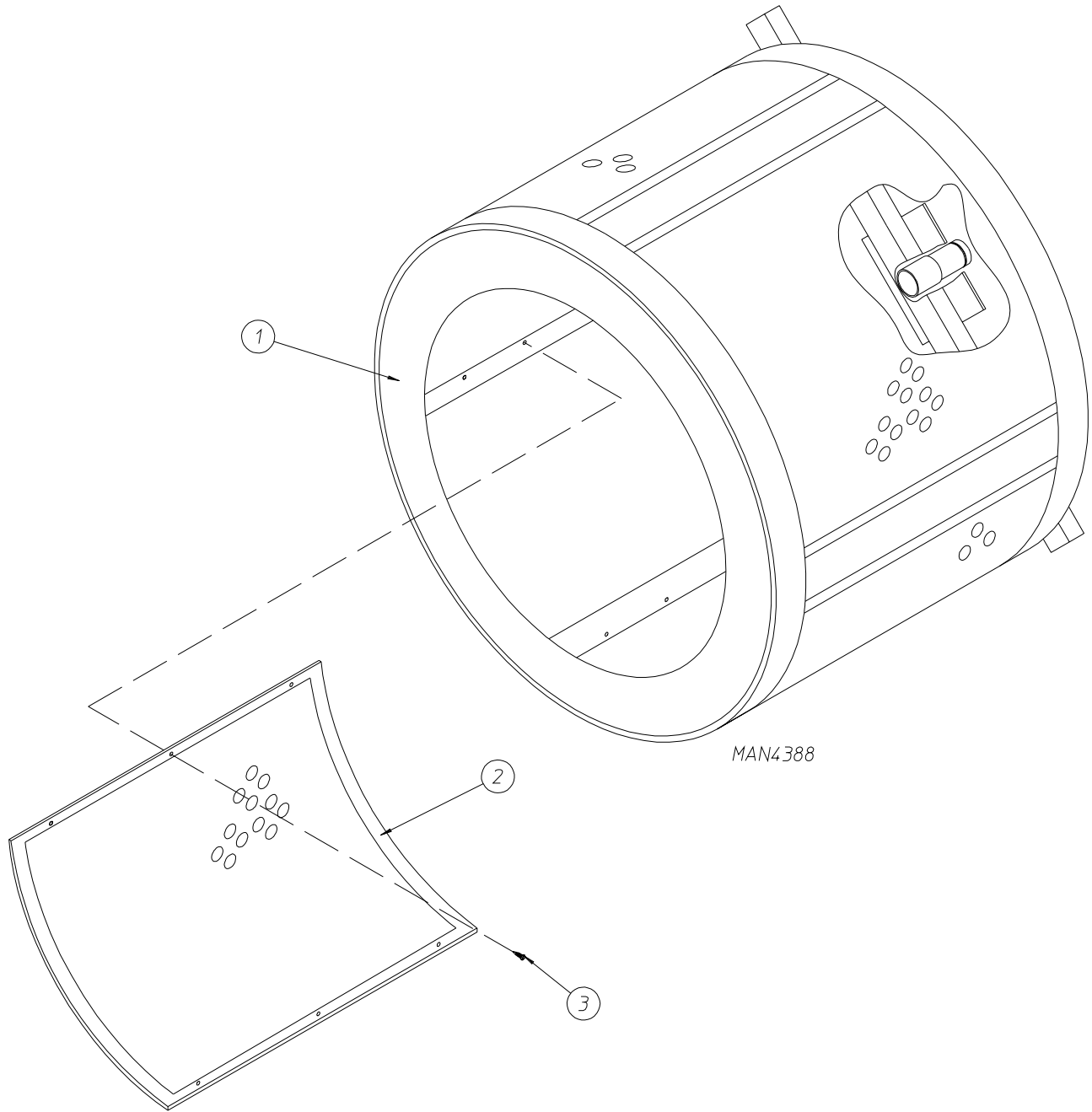


<u>Illus. No.</u>	<u>Part No.</u>	<u>Qty.</u>	<u>Description</u>
1	150309	20	#10-16 x 1/2" Hex Head TEK Crimptite Screw
2	859367	1	Bottom Right Wrapper
3	-----	1	Idler Shaft (refer to Idler Shaft Assembly on page 14)
4	-----	1	Temperature Sensor Bracket (refer to Temperature Sensor Bracket Assembly on page 9)
5	859368	1	Bottom Left Wrapper
6	-----	1	Drive Shaft (refer to Drive Shaft Assembly on page 15)
7	122116	1	Lint Door Switch - 24 VAC

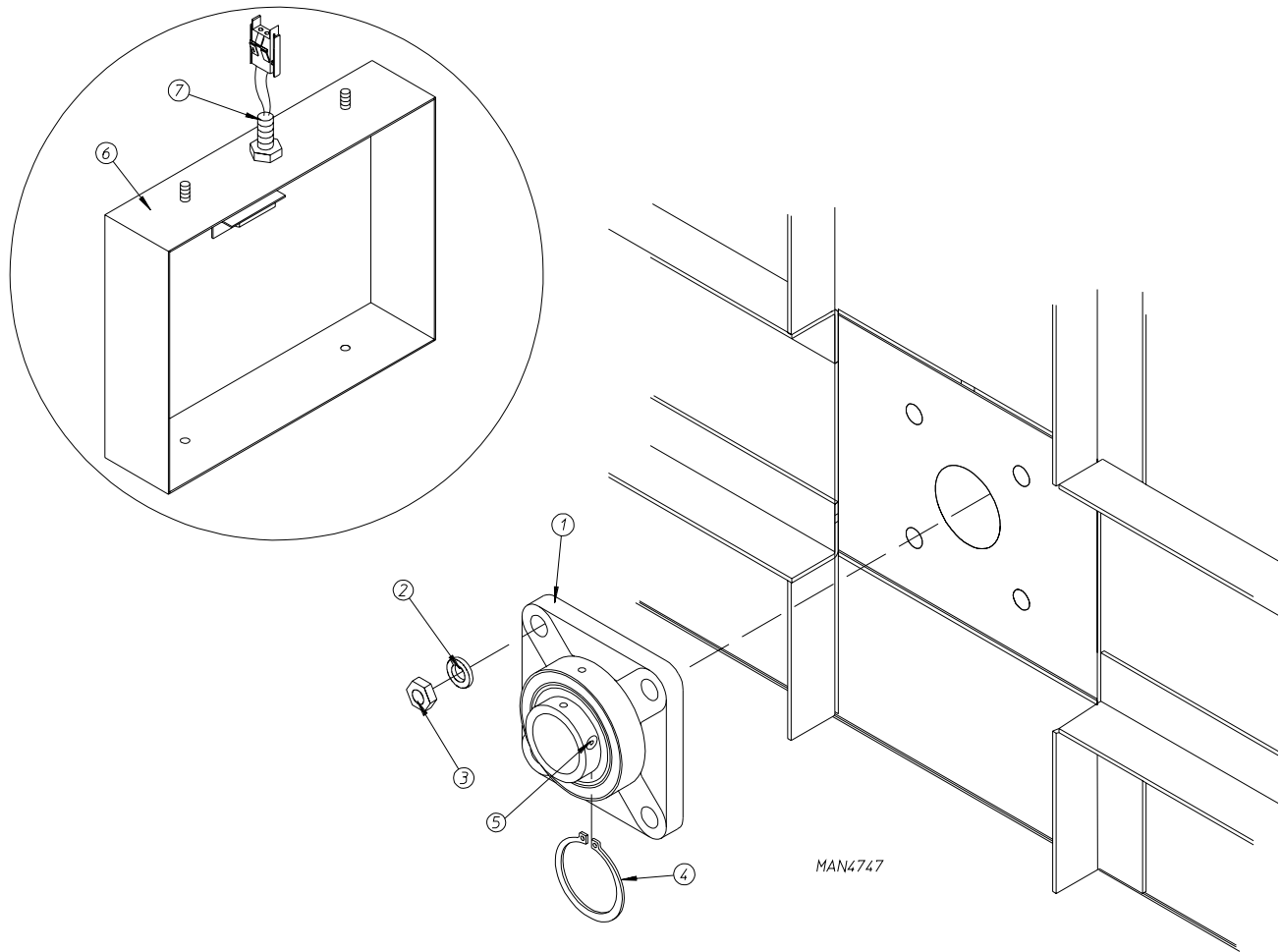


MAN4379

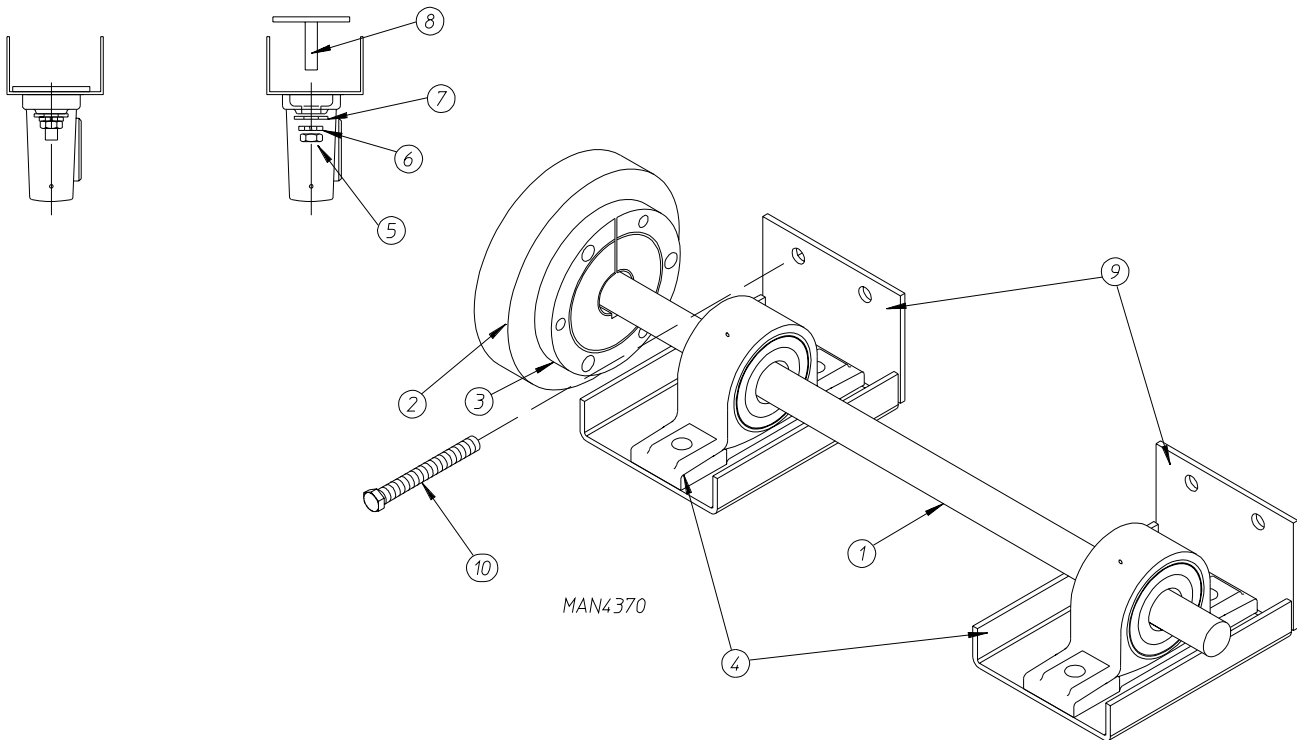
<u>Illus. No.</u>	<u>Part No.</u>	<u>Qty.</u>	<u>Description</u>
1	882347	1	White Lint Drawer Assembly (includes illus. nos. 1, 2, and 4)
	882378	1	Cornflower Blue Lint Drawer Assembly (includes illus. nos. 1, 2, and 4)
	882348	1	Corvel Dry Blue Lint Drawer Assembly (includes illus. nos. 1, 2, and 4)
	882349	1	Coral Wrinkle Blue Lint Drawer Assembly (includes illus. nos. 1, 2, and 4)
	882350	1	Coral Blue Lint Drawer Assembly (includes illus. nos. 1, 2, and 4)
2	115902	1	Lint Basket Felt
3	882210	1	Lint Screen Assembly
	859834	1	Stainless Steel Lint Screen Assembly
4	154215	5	5/32" x 1/4" Rivet



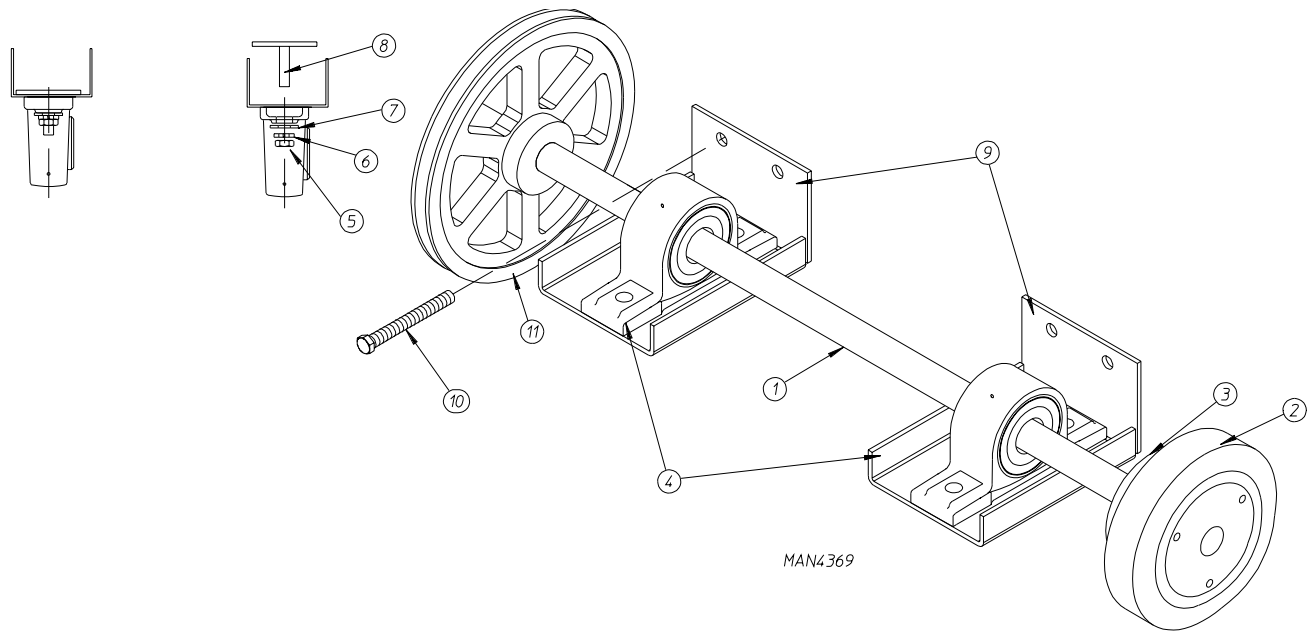
<u>Illus. No.</u>	<u>Part No.</u>	<u>Qty.</u>	<u>Description</u>
1	859342	1	Basket (tumbler) Assembly Complete (includes illus. nos. 1 through 3)
2	882234	4	Perforated Basket (tumbler) Panel
3	150123	24	1/4-20 x 1/4" Socket Button Head Cap Screw



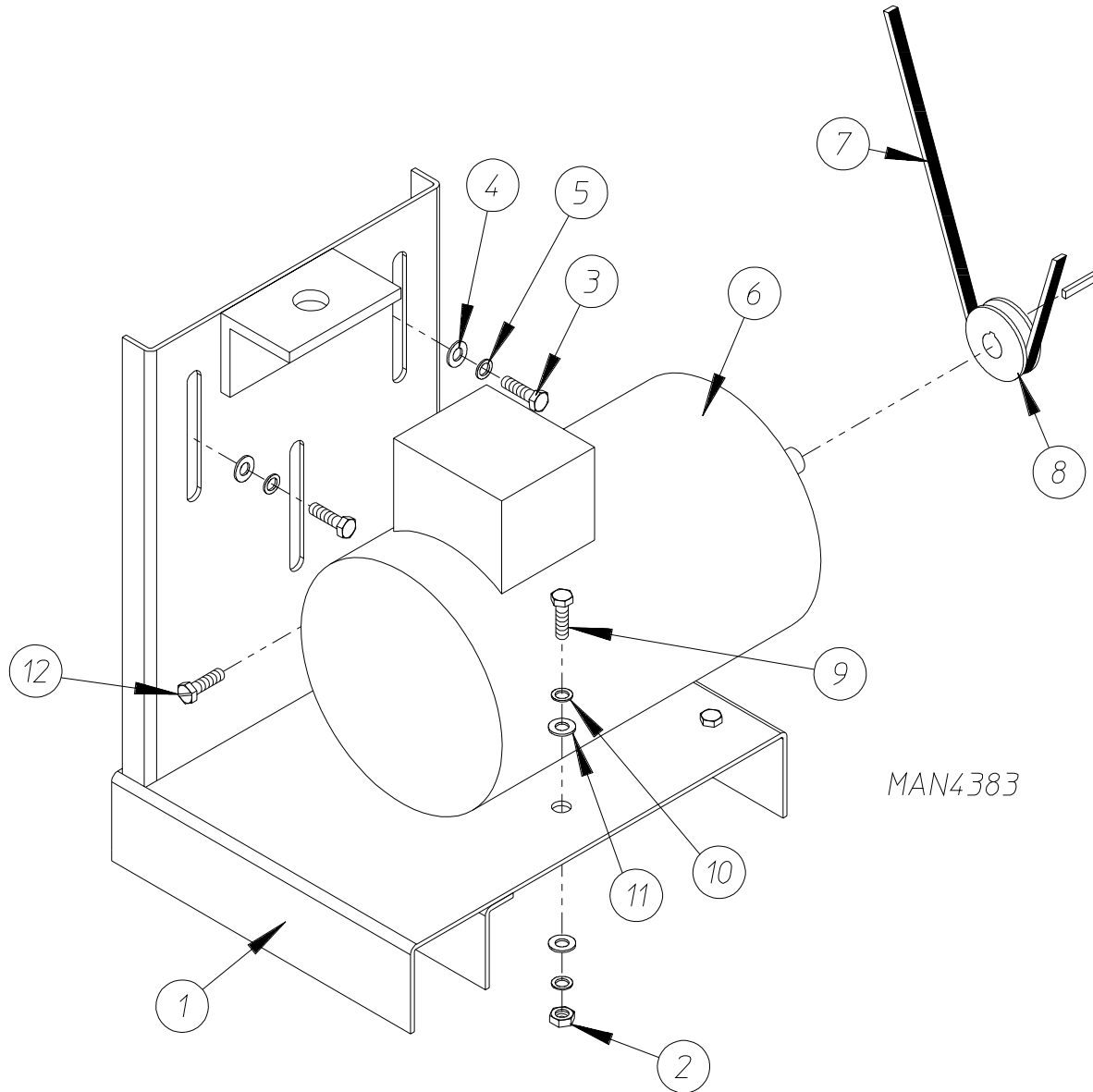
<u>Illus. No.</u>	<u>Part No.</u>	<u>Qty.</u>	<u>Description</u>
1	882244	1	1-3/4" Flanged Bearing (includes illus. nos 1 and 5)
2	153025	4	9/16" Lock Washer
3	152050	4	9/16-12 Hex Nut
4	100816	1	1-3/4" E-Clip Retaining Ring
5	102120	1	Rotational Sensor Magnet
6	882333	1	White Bearing/Rotational Sensor Cap
	882382	1	Cornflower Blue Bearing/Rotational Sensor Cap
	882330	1	Corvel Dry Blue Bearing/Rotational Sensor Cap
	882331	1	Coral Wrinkle Blue Bearing/Rotational Sensor Cap
	882332	1	Coral Blue Bearing/Rotational Sensor Cap
7	824807	1	Rotational Sensor ONLY



<u>Illus. No.</u>	<u>Part No.</u>	<u>Qty.</u>	<u>Description</u>
1	859328	1	Idler Shaft Assembly Complete (includes illus. nos. 1 through 10)
	390232	1	Idler Shaft ONLY
2	180037	2	6" Wheel
3	180038	2	1" Taper Lock Bushing
4	880205	2	1" Pillow Block Bearing
5	152004	4	5/16-18 Hex Nut
6	153002	4	5/16" Lock Washer
7	153001	4	5/16" Flat Washer
8	859008	2	Bearing Bolt Plate Assembly
9	859327	2	Bearing Pad
10	150509	4	5/16-18 x 3" Tap Bolt

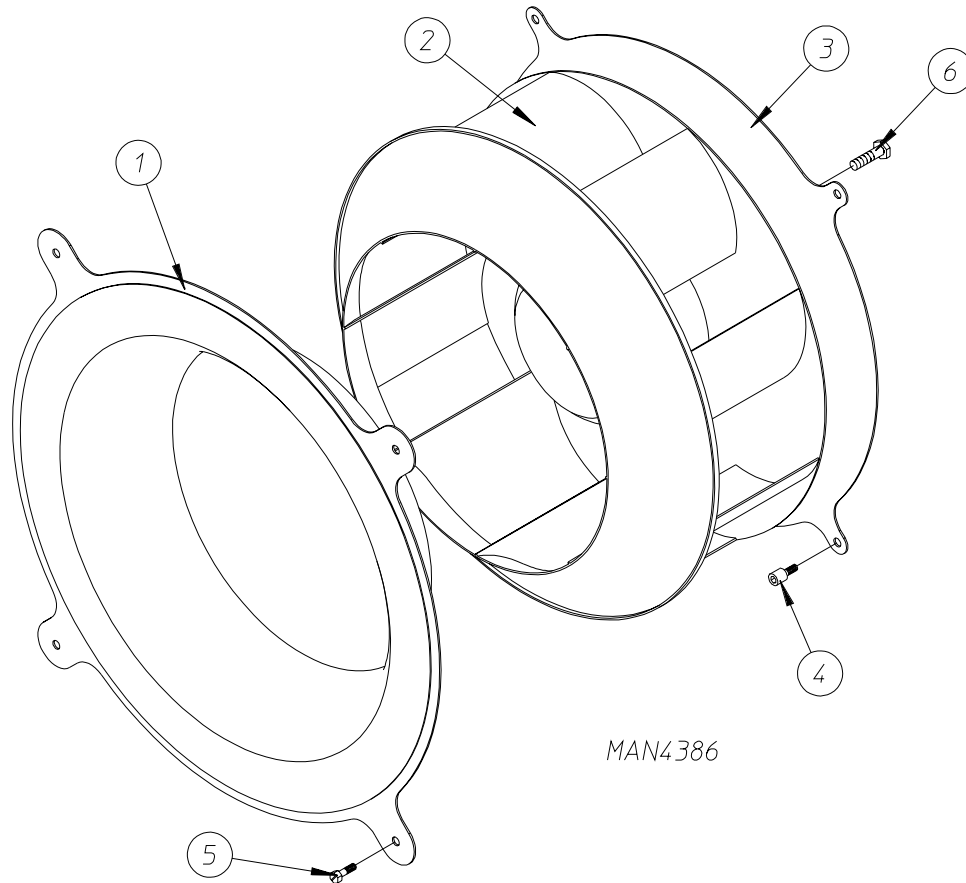


<u>Illus. No.</u>	<u>Part No.</u>	<u>Qty.</u>	<u>Description</u>
1	859329	1	Drive Shaft Assembly Complete (includes illus. nos. 1 through 11)
	390423	1	Drive Shaft ONLY
2	180037	2	6" Wheel
3	180038	2	1" Taper Lock Bushing
4	880205	2	1" Pillow Block Bearing
5	152004	4	5/16-18 Hex Nut
6	153002	4	5/16" Lock Washer
7	153001	4	5/16" Flat Washer
8	859008	2	Bearing Bolt Plate Assembly
9	859327	2	Bearing Pad
10	150509	4	5/16-18 x 3" Tap Bolt
11	101209	1	9" Pulley



MAN4383

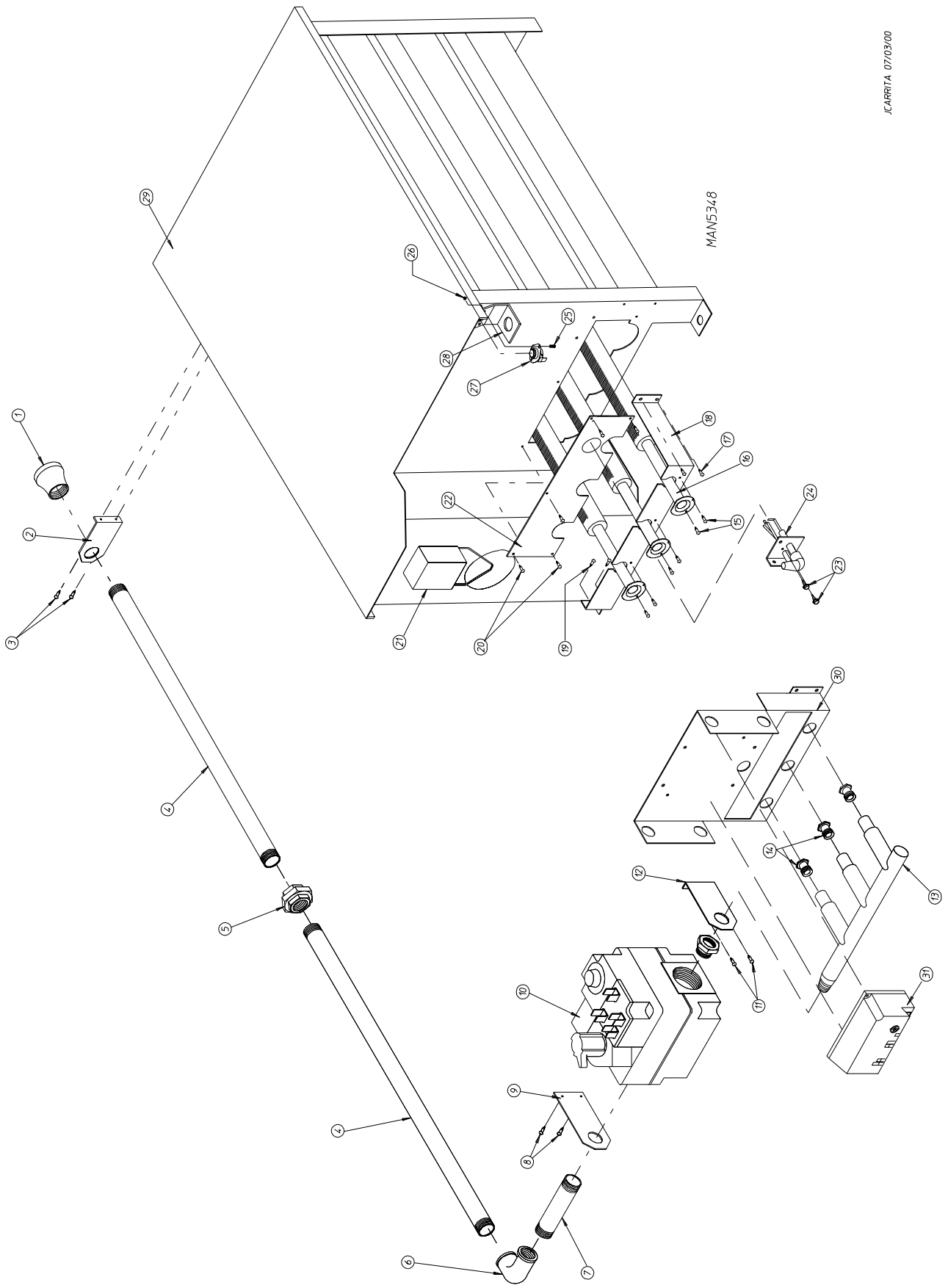
<u>Illus. No.</u>	<u>Part No.</u>	<u>Qty.</u>	<u>Description</u>
1	882245	1	Motor Mount Assembly Complete (includes illus. nos. 1, 2, 6, and 9 through 11)
	882237	1	Motor Mount ONLY
2	152004	4	5/16-18 Hex Nut
3	150501	3	5/16-18 x 3/4" Tap Bolt
4	153001	3	5/16" Flat Washer
5	153002	3	5/16" Lock Washer
6	181106	1	1/2 HP 208-480v 3 ϕ 50/60 Hz Motor
7	100174	1	AX-53 Cogged V-Belt
8	101132	1	5/8" x 2" Motor Pulley
9	150501	4	5/16-18 x 3/4" Tap Bolt
10	153002	8	5/16" Lock Washer
11	153001	8	5/16" Flat Washer
12	150523	1	1/4-20 x 3/4" Hex Washer Machine Bolt



<u>Illus. No.</u>	<u>Part No.</u>	<u>Qty.</u>	<u>Description</u>
1	882319	1	White Coop Cone
	882380	1	Cornflower Blue Coop Cone
	882324	1	Corvel Dry Blue Coop Cone
	882328	1	Coral Wrinkle Blue Coop Cone
	882329	1	Coral Blue Coop Cone
2	100617	1	Motorized Impellor (fan) - 208 Volt 60 Hz ONLY
	100622	1	Motorized Impellor (fan) - 230 Volt 60 Hz ONLY
	100619	1	Motorized Impellor (fan) - 230/400 Volt 50 Hz ONLY 460/480 Volt 60 Hz ONLY
	859363	1	Motorized Impellor (fan) Assembly Complete - 208 Volt 60 Hz (includes illus. nos. 1, 2, 3, and 6)
	859361	1	Motorized Impellor (fan) Assembly Complete - 230 Volt 60 Hz (includes illus. nos. 1, 2, 3, and 6)
	816086	1	Motorized Impellor (fan) Assembly Complete - 460/480 Volt 60 Hz (includes illus. nos. 1, 2, 3, and 6)
3	882323	1	White Motor Plate
	882379	1	Cornflower Blue Motor Plate
	882325	1	Corvel Dry Blue Motor Plate
	882326	1	Coral Wrinkle Blue Motor Plate
	882327	1	Coral Blue Motor Plate
4	150511	4	1/4-20 x 1" Hex Head Machine Bolt
5	150512	4	1/4-20 x 1/2" Hex Head Machine Bolt
6	154335	8	M10 x 15 Metric Bolt

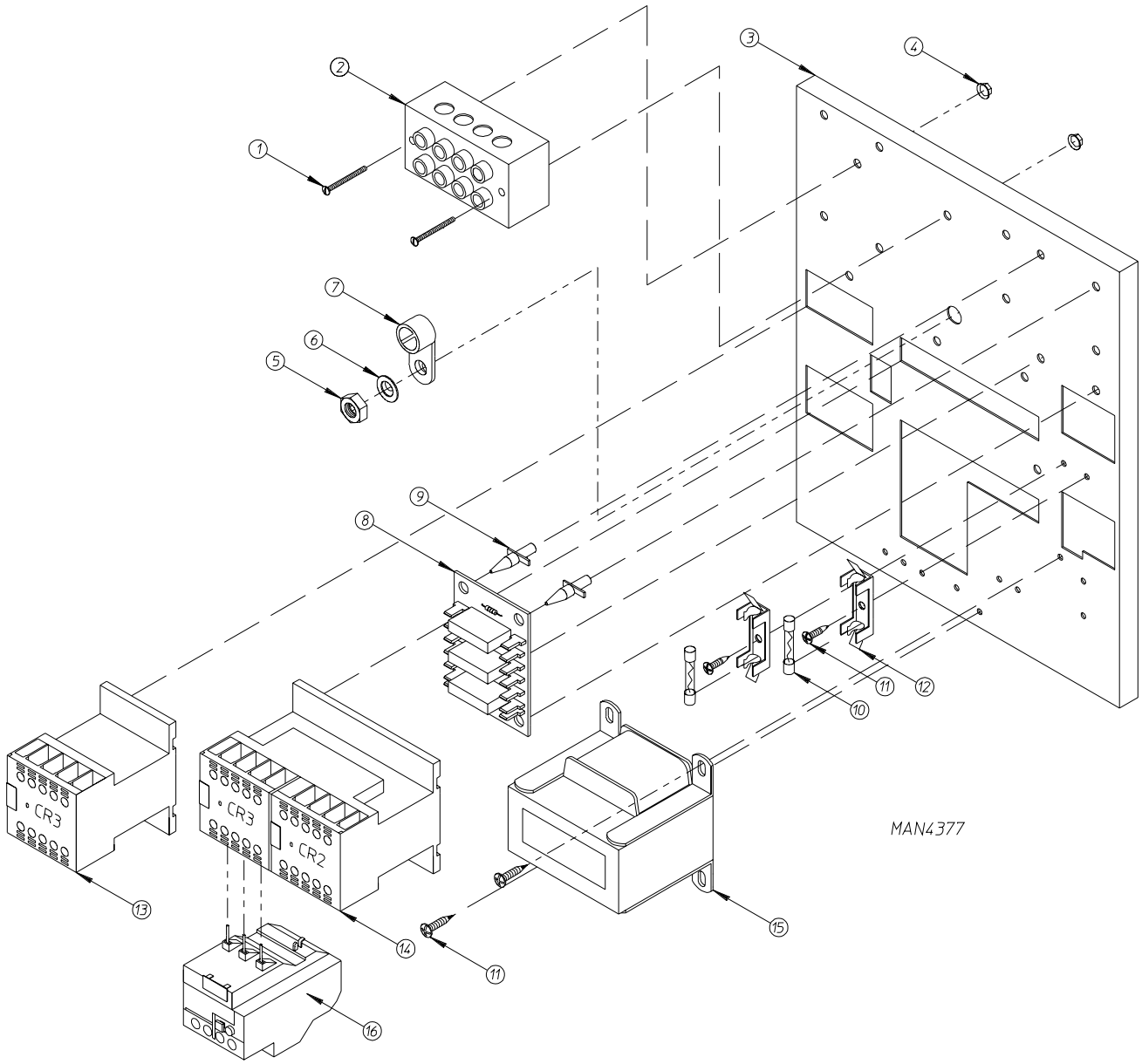
JCARRETA 07/03/00

MAN5348

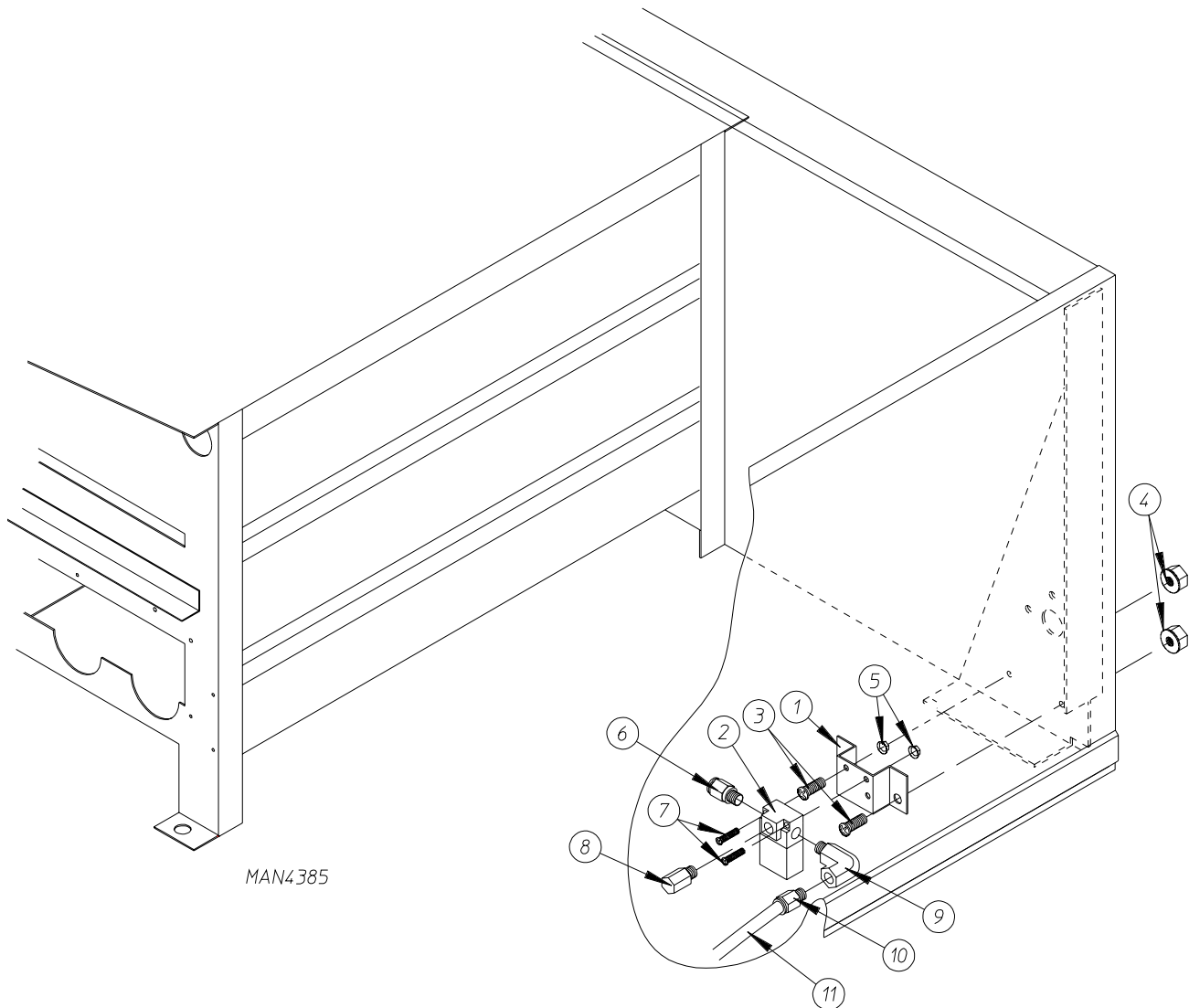


<u>Illus. No.</u>	<u>Part No.</u>	<u>Qty.</u>	<u>Description</u>
1	142924	1	1" to 3/4" Reducing Coupling
2	331291	1	Gas Valve Pipe Bracket
3	150309	2	#10-16 x 1/2" Hex Head TEK Crimptite Screw
4	142735	1	3/4" x 14" Bi Nipple
5	142601	1	3/4" Union
6	142504	1	3/4" x 90° Elbow
7	142734	1	3/4" x 5-1/2" Nipple
8	150309	2	#10-16 x 1/2" Hex Head TEK Crimptite Screw
9	390125	1	Gas Valve Flat Pipe Bracket
10	140026	1	3/4" 24 VAC Redundant (natural gas) Gas Valve
	882098	1	3/4" 24 VAC Redundant (liquid propane [L.P.] gas) Gas Valve
	140411	1	24 VAC Gas Valve Liquid Propane (L.P.) Conversion Kit
11	150415	2	#10-16 x 1/2" Hex Head TEK Crimptite Screw
12	331291	1	Gas Valve Pipe Bracket
13	141219	1	MLG-96/122 3-Port Manifold
14*	140836	3	#10 Burner Orifice (natural gas) ONLY
	140855	3	#33 Burner Orifice (liquid propane [L.P.] gas) ONLY
15	150309	2	#10-16 x 1/2" Hex Head TEK Crimptite Screw
16	141123	3	Gas Burner Tube
17	150309	2	#10-16 x 1/2" Hex Head TEK Crimptite Screw
18	390124	1	Burner Tube Support ONLY
19	150309	2	#10-16 x 1/2" Hex Head TEK Crimptite Screw
20	150309	6	#10-16 x 1/2" Hex Head TEK Crimptite Screw
21	821456	1	Sail Switch (refer to Sail Switch Assembly on page 24)
22	331289	1	Burner Box Cover Plate ONLY
23	150309	2	#10-16 x 1/2" Hex Head TEK Crimptite Screw
24	128914	1	Ignitor/Flame-Probe Assembly
25	150001	2	#6-32 x 1/2" Phillips Round Head Machine Screw
26	151000	2	#6-32 Pal Nut
27	130201	1	330° Manual Reset Hi-Limit ONLY
28	319703	1	Hi-Limit Bracket
29*	882677	1	Natural Gas Burner Assembly Complete (includes illus. nos. 1 through 31) For Models Mfd. with Natural Gas ONLY
	882678	1	Liquid Propane (L.P.) Gas Burner Assembly Complete (includes illus. nos. 1 through 31) For Models Mfd. with Liquid Propane (L.P.) Gas ONLY
	859374	1	Burner Box ONLY
30	335031	1	Ignition Module Mounting Bracket/Manifold Rest
31	128935	1	Direct Spark Ignition (DSI) Module (Johnson Control)

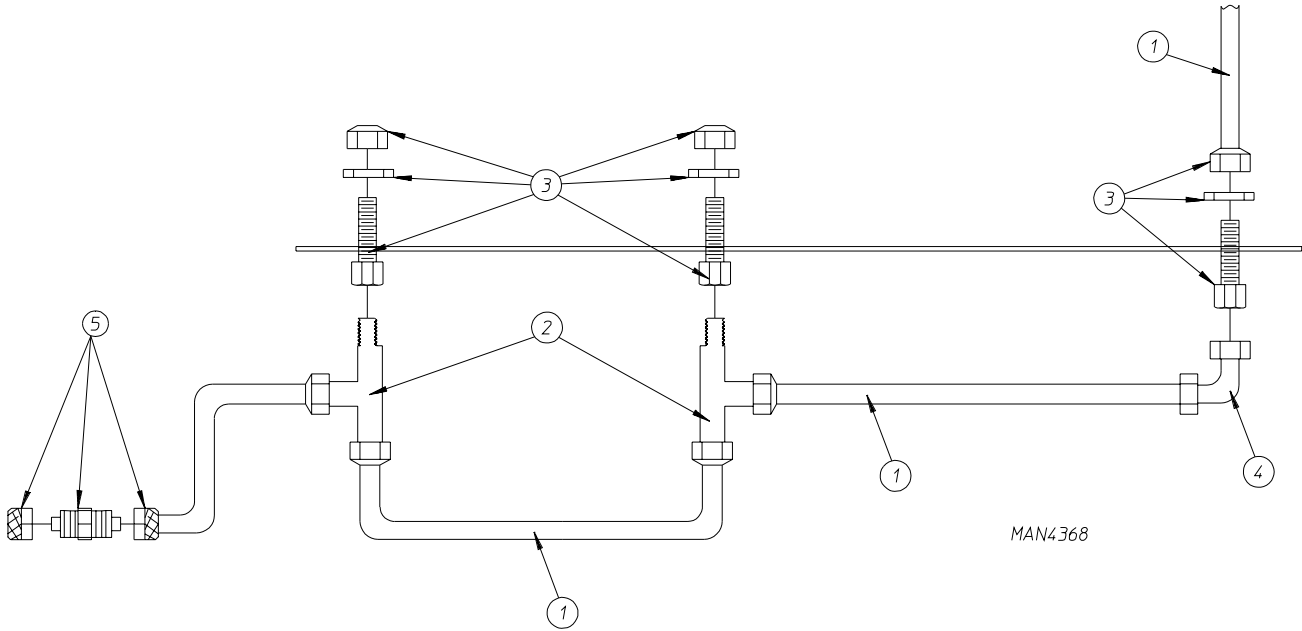
* Consult factory for elevations over 2,000 feet.



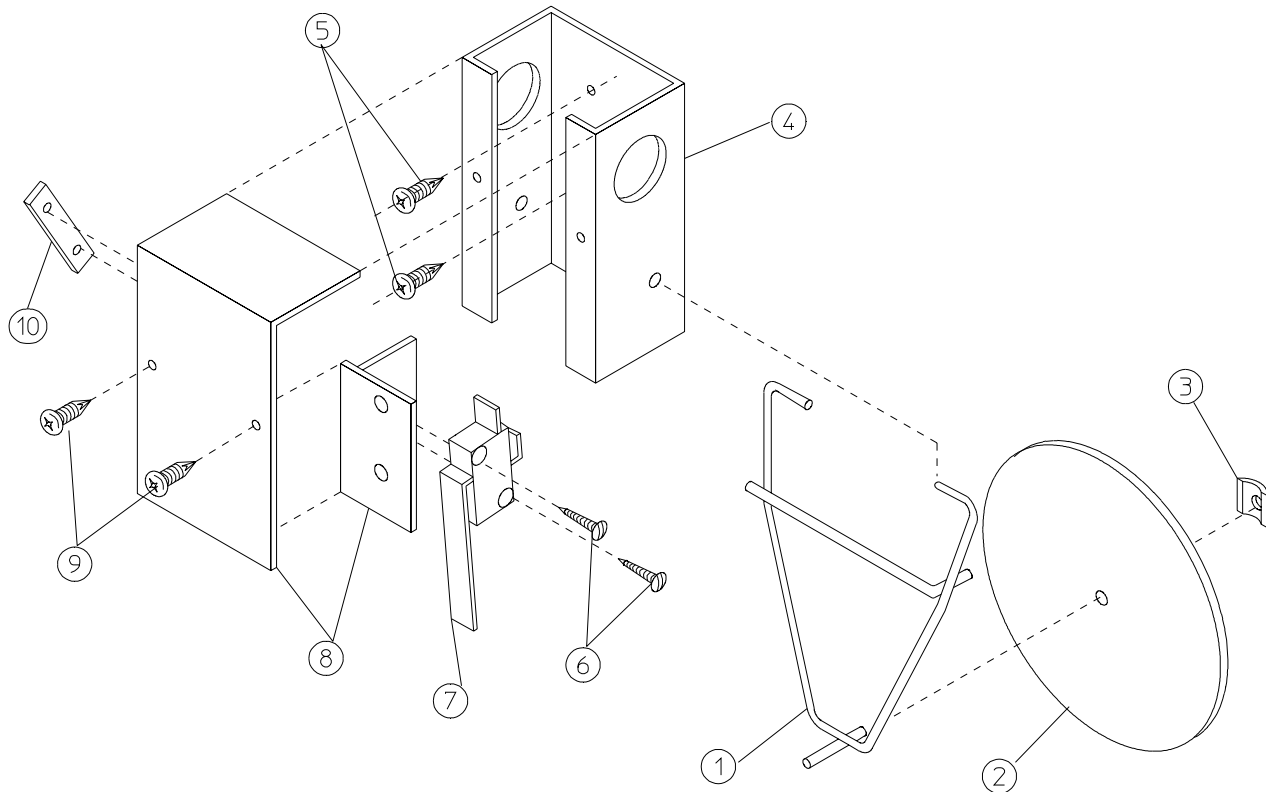
<u>Illus. No.</u>	<u>Part No.</u>	<u>Qty.</u>	<u>Description</u>
1	150008	2	#6-32 x 1-1/4 Phillips Round Head Machine Screw
2	120701	1	4-Position Terminal Block
3	859356	1	208 Volt Reversing Relay Panel Assembly Complete (includes illus. nos. 1 through 4 and 8 through 15)
	323743	1	Reversing Relay Panel ONLY
4	151000	1	#6-32 Pal Nut
5	152004	1	5/16-18 Hex Nut
6	153002	1	5/16" Lock Washer
7	121012	1	Ground Lug
8	137060	1	Arc Suppressor (A.S.) Board
9	137013	4	Nylon Standoff
10	136057	2	1/2-Amp (slo blo) Fuse
11	150301	4	#8-18 x 7/16" Phillips Pan Head TEK Screw
12	136008	2	Fuse Holder ONLY
13	132455	1	1 HP 3ø Contactor
14	132448	1	Reversing Contactor
15	132070	1	208-240 Volt Transformer
	881763	1	Transformer Terminal Kit
16	132457	1	Drive Motor Overload (for 208 volt models Only)



<u>Illus. No.</u>	<u>Part No.</u>	<u>Qty.</u>	<u>Description</u>
1	330987	1	Micro Valve Bracket
2	836002	1	Air Jet Solenoid
3	150111	2	1/4-20 x 1/2" Phillips Round Head Machine Screw
4	152014	2	1/4-20 Free Spin Wash Nut
5	151000	2	#6-32 Pal Nut
6	100472	1	1/4" x 1/8" Male Connector
7	150002	2	#6-32 x 1" Phillips Round Head Machine Screw
8	100520	1	1/8" N.P.T. Silencer (muffler)
9	143268	1	1/8" x 90° Brass Straight Elbow
10	100472	1	1/4" x 1/8" Male Connector
11	143115	4	1/4" Poly-Flo Tubing (sold by the foot)

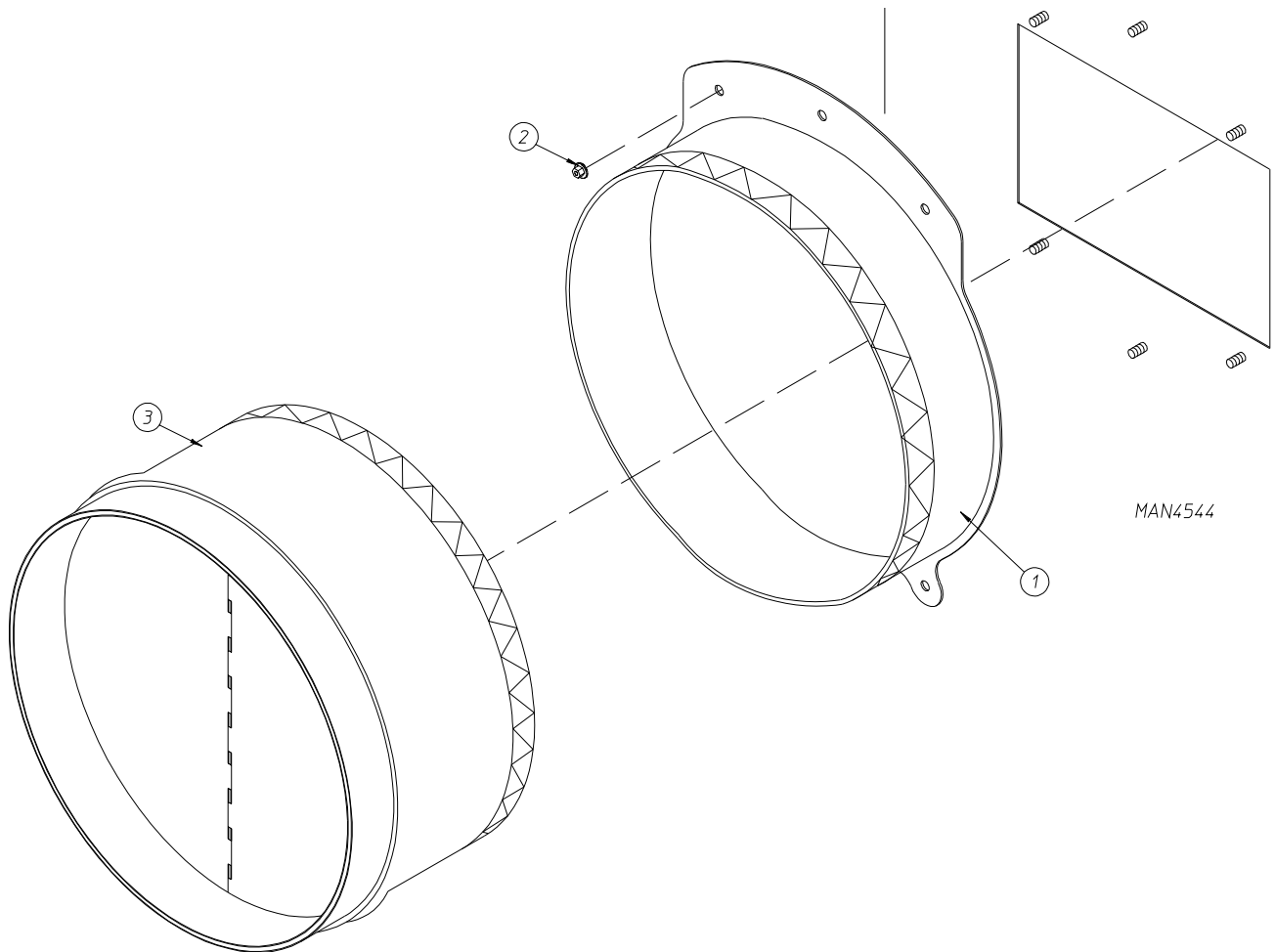


<u>Illus. No.</u>	<u>Part No.</u>	<u>Qty.</u>	<u>Description</u>
1	143100	6	1/4" Aluminum Tubing (sold by the foot)
2	143287	2	1/4" x 1/8" M.P.T. Male Run Tee
3	143259	3	1/4" x 1/8" F.P.T. Bulkhead Fitting
4	143115	4	1/4" Poly-Flo Tubing (sold by the foot)
5	143154	1	1/4" Poly Union



MAN0440

<u>Illus. No.</u>	<u>Part No.</u>	<u>Qty.</u>	<u>Description</u>
1	105500	1	Sail Switch Actuator Rod
2	319202	1	Sail Switch Damper (flat)
3	154002	1	1/8" Push On Fastener
4	802800	1	Sail Switch Box with Cover and Bracket ONLY
	802801	1	Sail Switch Box Assembly Complete (includes illus. nos. 1 through 4 and 6 through 10)
5	150309	2	#10-16 x 1/2" Hex Head TEK Crimptite Screw
6	150303	2	#44 x 3/4" Pan Head "A" Machine Screw
7	122200	1	Sail Switch ONLY
8	802799	1	Sail Switch Box Cover and Bracket ONLY
9	150309	2	#10-16 x 1/2" Hex Head TEK Crimptite Screw
10	154004	1	Twin Speed Nut



Illus. No.	Part No.	Qty.	Description
1	882318	1	White Adapter Collar
	882381	1	Cornflower Blue Adapter Collar
	882320	1	Corvel Dry Blue Adapter Collar
	882321	1	Coral Wrinkle Blue Adapter Collar
	882322	1	Coral Blue Adapter Collar
2	152014	5	1/4-20 Free Spin Wash Nut
3	104006	1	16" Butterfly Damper Assembly

