



D-3030

Parts Manual

J.L.A.
Meadowcroft Lane, Halifax Road
Ripponden W. Yorkshire, England
HX6 4AJ
Telephone: 1 422 822282 / Fax: 1 422 824390

Retain This Manual In A Safe Place For Future Reference

J.L.A. products embody advanced concepts in engineering, design, and safety. If this product is properly maintained, it will provide many years of safe, efficient, and trouble-free operation.

ONLY qualified technicians should service this equipment.

OBSERVE ALL SAFETY PRECAUTIONS displayed on the equipment or specified in the installation manual included with the dryer.

The following “**FOR YOUR SAFETY**” caution **must be** posted near the dryer in a prominent location.

FOR YOUR SAFETY

Do not store or use gasoline or other flammable vapors and liquids in the vicinity of this or any other appliance.

POUR VOTRE SÉCURITÉ

Ne pas entreposer ni utiliser d'essence ni d'autres vapeurs ou liquides inflammables à proximité de cet appareil ou de tout autre appareil.

We have tried to make this manual as complete as possible and hope you will find it useful. **J.L.A.** reserves the right to make changes from time to time, without notice or obligation, in prices, specifications, colors, and material, and to change or discontinue models.

Important

For your convenience, log the following information:

DATE OF PURCHASE _____ MODEL NO. **D-3030** _____

RESELLER'S NAME _____

Serial Number(s) _____

Replacement parts can be obtained from your reseller or **J.L.A.** When ordering replacement parts, you can FAX your order to **J.L.A.** at 1 422-824390 or telephone your order directly to the **J.L.A.** Parts Department at 1 422-822282. Please specify the dryer **model number** and **serial number** in addition to the **description** and **part number**, so that your order is processed accurately and promptly.

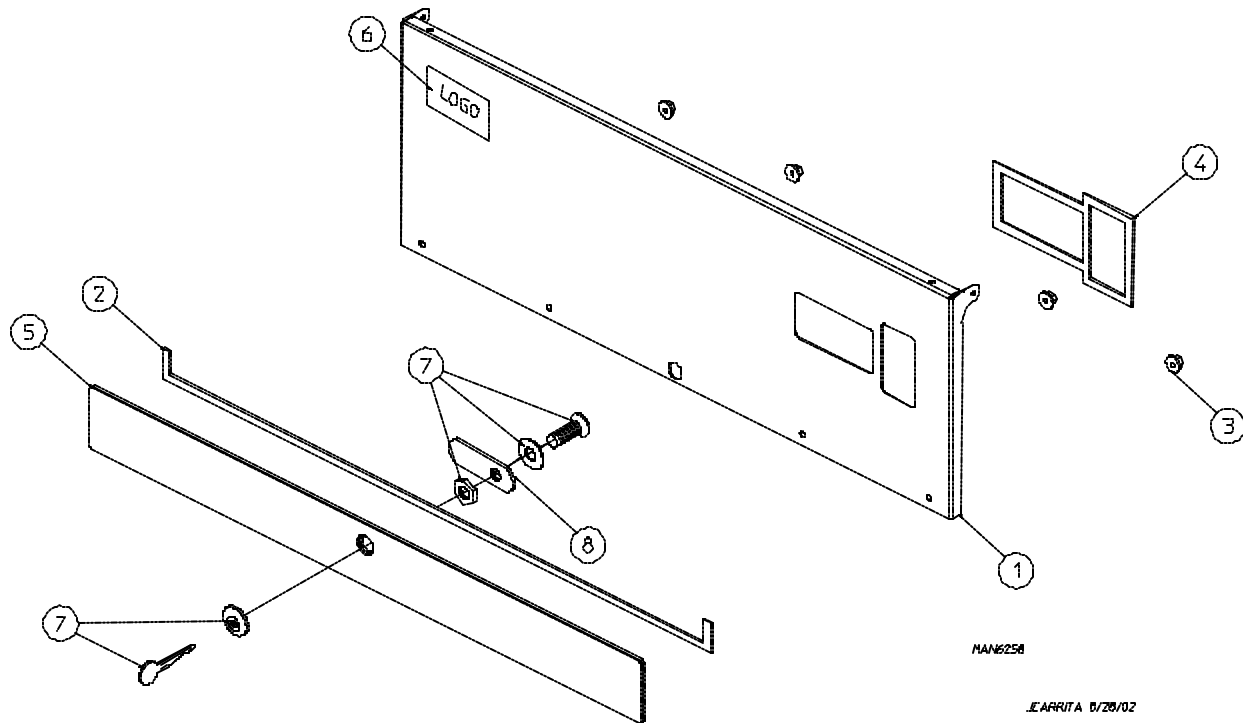
The illustrations on the following pages may not depict your particular dryer exactly. The illustrations are a composite of the various dryer models. Be sure to check the descriptions of the parts thoroughly before ordering.

“IMPORTANT NOTE TO PURCHASER”

Information **must be** obtained from your local gas supplier on the instructions to be followed if the user smells gas. These instructions **must be** posted in a prominent location near the dryer.

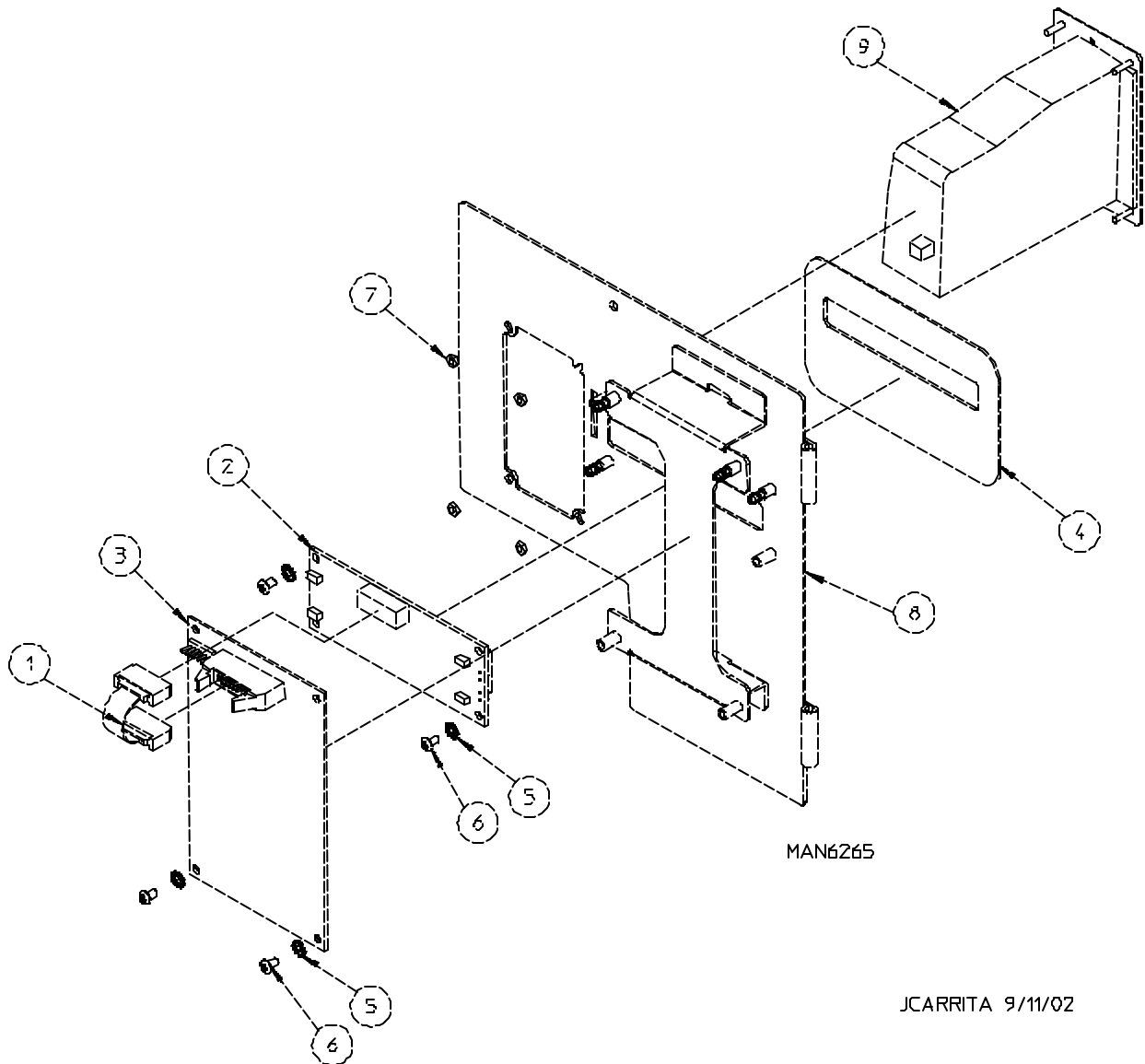
Table of Contents

Control Door Assembly	2
Phase 7 Coin Microprocessor Control Panel Assembly	3
Phase 7 Coin Microprocessor Control Box Assembly	4
Coin Vault Assembly	5
Front Panel Assembly	6
Main Door Switch Assembly	7
Main Door Assembly	8
Basket (Tumbler)/ Support Assembly	9
Drop Lint Door Assembly	10
Lint Trap Assembly	11
Basket (Tumbler) Bearing Assembly	12
Non-Reversing Motor Mount Assembly	13
Idler Bearing Assembly	14
Sensor Bracket Assemblies	15
Direct Spark Ignition (DSI) Burner Assembly	16, 17
Hot Surface Ignition (HSI) Gas Burner Assembly	18, 19
Rear Electric Relay Panel Assembly	20
S.A.F.E. Temperature Probe Assembly	21
S.A.F.E. Solenoid and Piping Assembly	22
Outer Top/Back Guard Assemblies	23
Additional Parts Available	24

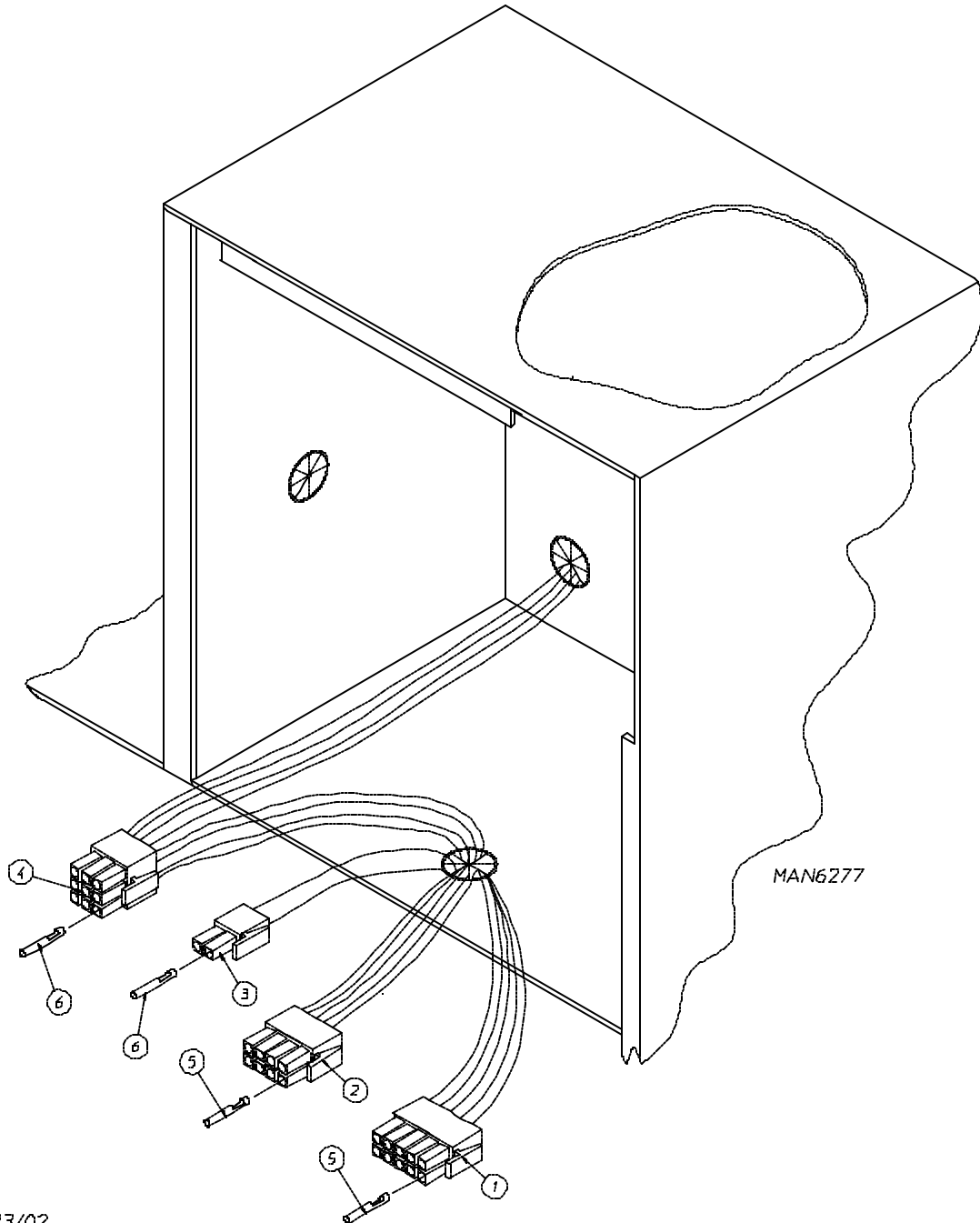


<u>Illus. No.</u>	<u>Part No.</u>	<u>Qty.</u>	<u>Description</u>
1	883528	1	Phase 7 Coin Control Door Assembly (includes illus. nos. 1 through 5)
2	117604	3	Neoprene Sponge Tape (sold by the foot)
3	152014	4	1/4-20 Free Spin Wash Nut
4	117604	3	Neoprene Sponge Tape (sold by the foot)
5	883525	1	Coin Control Door Trim
6	-----*	1	Logo
7	160015	1	Lock with Hardware and Key
	160104	1	Key ONLY
8	160016	1	Lock Cam ONLY

* Contact reseller for logo.



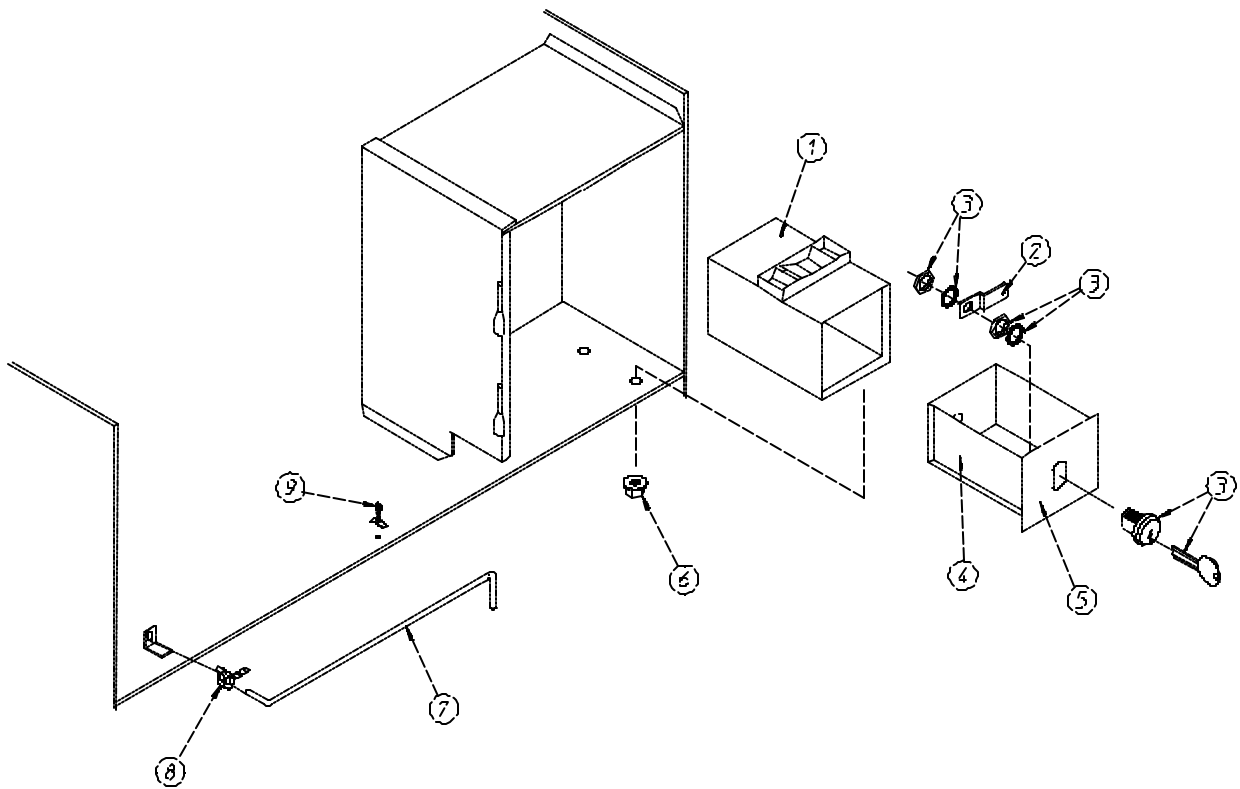
<u>Illus. No.</u>	<u>Part No.</u>	<u>Qty.</u>	<u>Description</u>
1	137250	1	Phase 7 Coin Ribbon Cable
2	137270	1	16" x 1" Large Character Display
3	883434	1	Phase 7 Coin Board
4	112575	1	Phase 7 Keyboard
5	153010	4	#6 Internal and External Star Washers
6	150005	4	#6-32 x 1/4" Phillips Round Head Machine Screw
7	152102	4	M3 Metric Hex Nut
8	824363	1	Phase 7 Coin Control Panel ONLY
	801297	1	Phase 7 Coin Control Panel Assembly (includes illus. nos. 1 through 9)
9	830159	1	Phase 7 Programmable Euro Coin Acceptor Assembly



JCARRITA 9/23/02

<u>Illus. No.</u>	<u>Part No.</u>	<u>Qty.</u>	<u>Description</u>
1	122681	1	10-Pin Connector
2	122676	1	8-Pin Connector
3	122646	1	2-Pin Connector
4	122669	*	Female Crimp Terminal
5	122640	1	9-Pin Connector
6	122706	*	#20-16 U.M.N.L. Socket

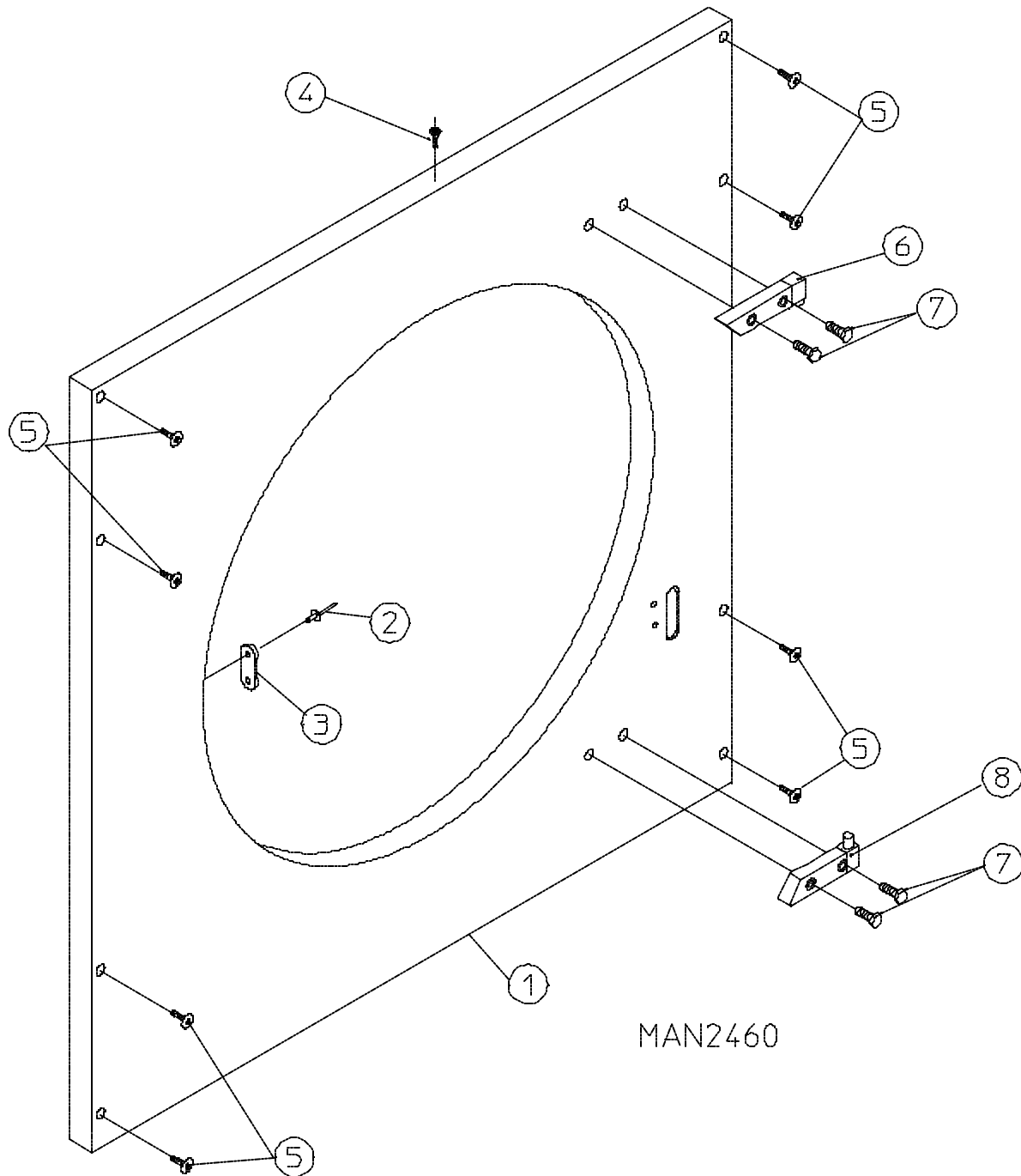
* As needed



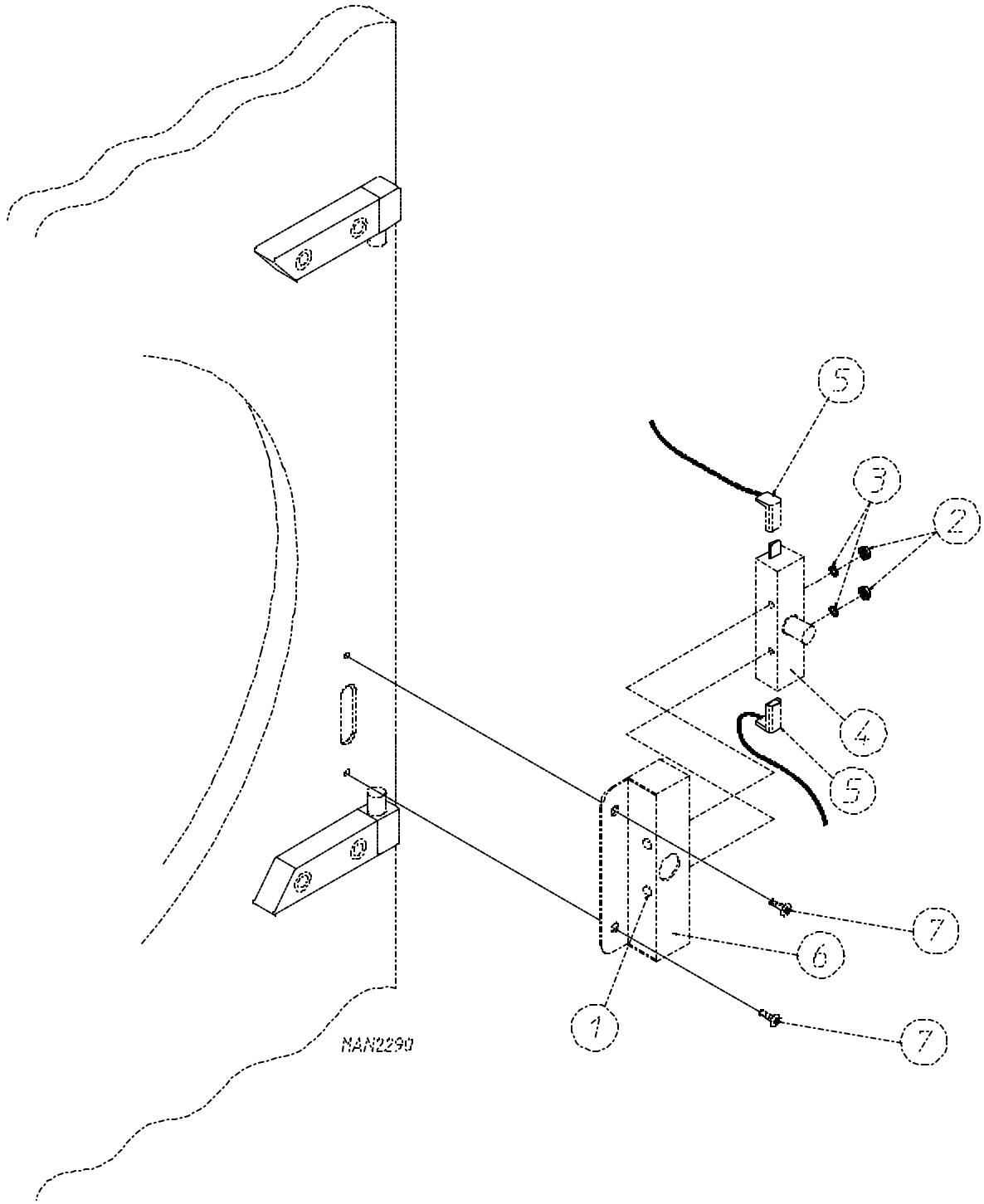
KANT34

<u>Illus. No.</u>	<u>Part No.</u>	<u>Qty.</u>	<u>Description</u>
1	802112	1	Microprocessor Coin Vault Assembly Complete (includes illus. nos. 1 through 6)
	802117	1	Microprocessor Coin Vault ONLY
2	160028	1	Cam for 1/4" Turn Lock ONLY
3	875061	1	1/4" Turn Lock with Key and Cam
	160105*	1	1/4" Turn Mer-Pel Key ONLY
4	802020	1	1/4" Turn Coin Box Assembly (includes illus. nos. 2 through 5)
	802019	1	1/4" Turn Coin Box ONLY without Faceplate
	125915	1	High Security (Greenwald) Coin Box ONLY with Key
5	802018	1	1/4" Turn Coin Box Faceplate ONLY
6	152014	4	1/4-20 Free Spin Wash Nut
7	102502	1	Control Door Support Rod
8	102601	1	Control Door Rod Retainer Clip
9	102603	1	Control Door Rod Catch

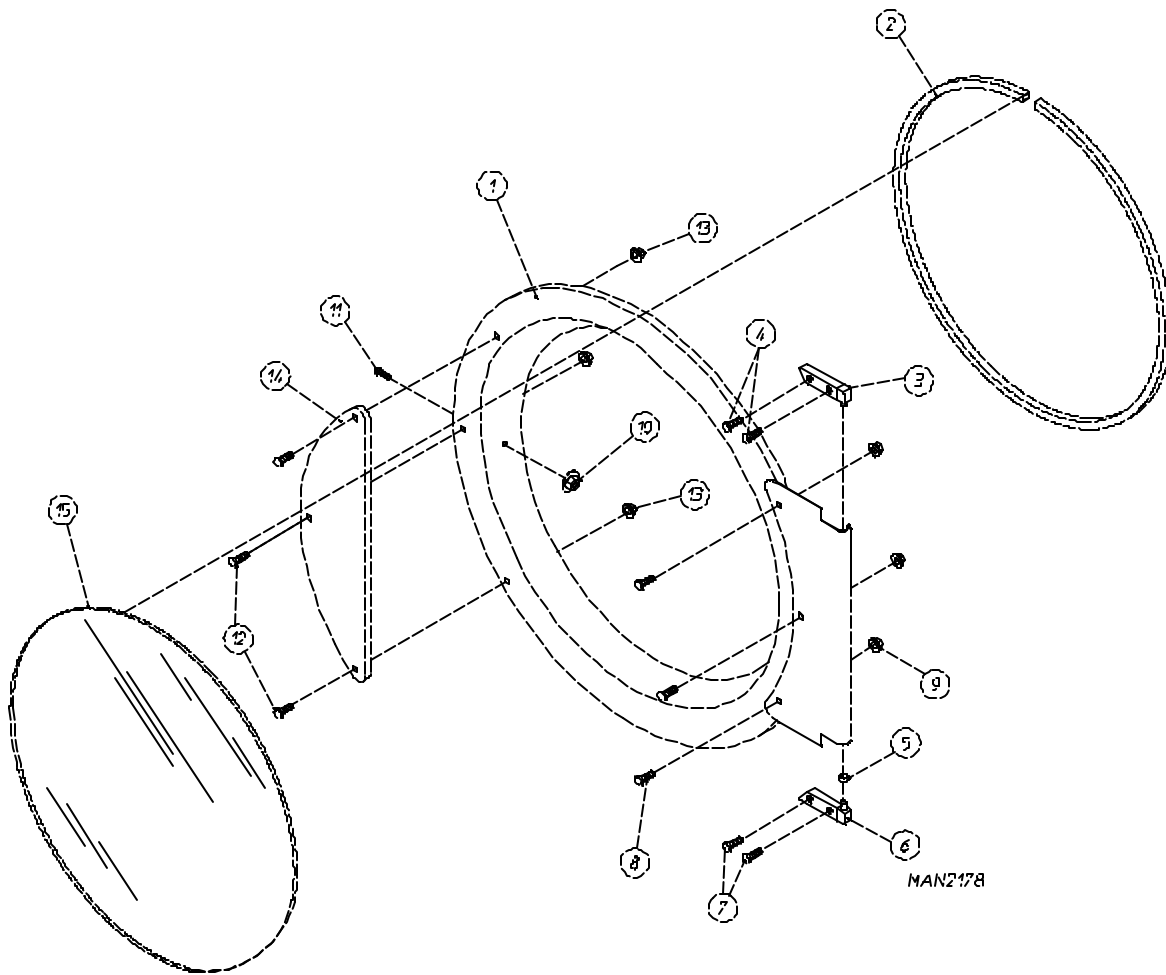
* Specify key number when ordering.



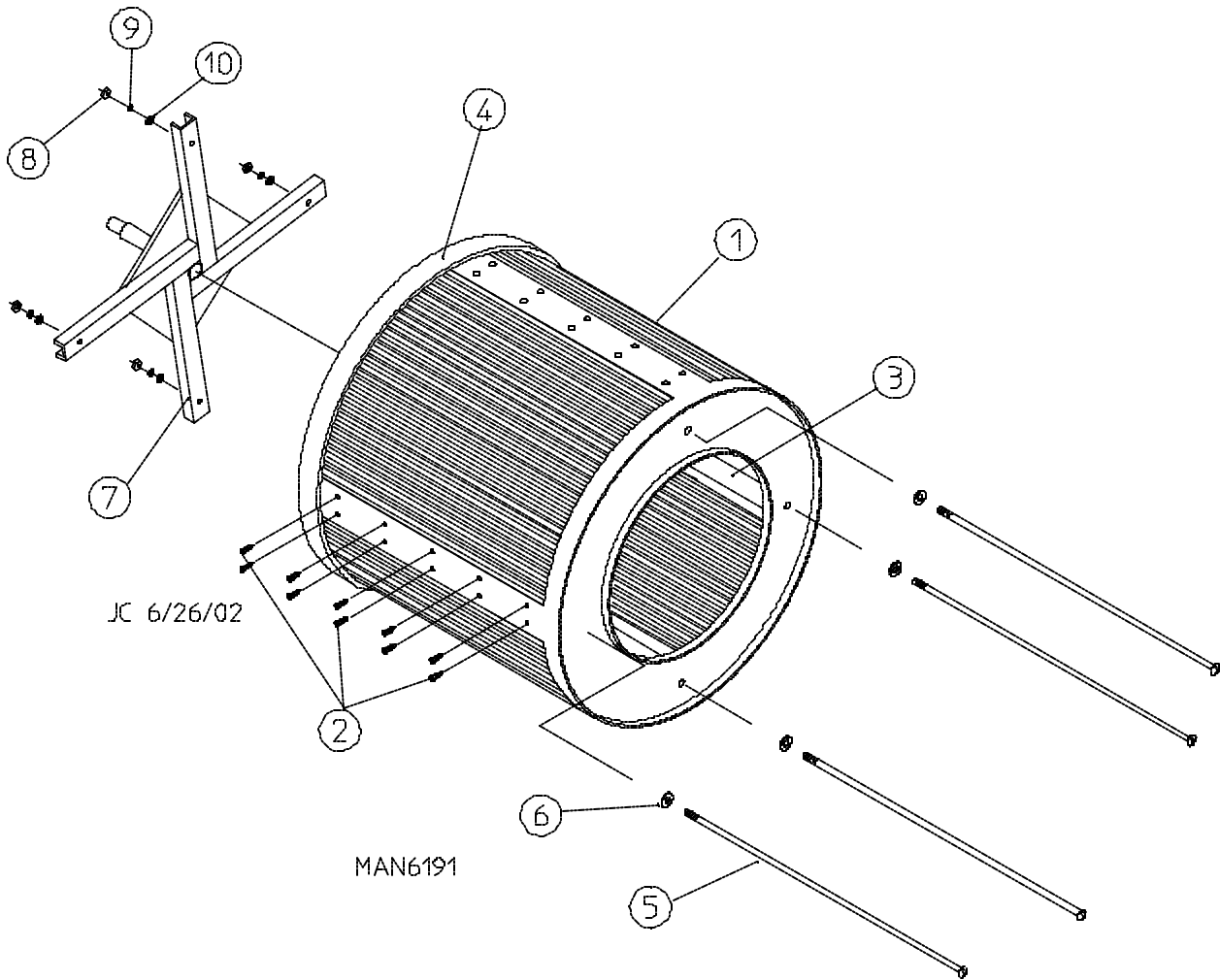
<u>Illus. No.</u>	<u>Part No.</u>	<u>Qty.</u>	<u>Description</u>
1	883529	1	White Front Panel Assembly (includes illus. nos. 1 through 3)
2	154215	2	1/8" Pop Rivet
3	170330	1	Friction Door Latch
4	150300	1	#10-16 x 1/2" Hex Washer TEK Screw
5	150301	8	#8-18 x 7/16" Phillips Pan Head TEK Screw
6	881152	1	Black Top Hinge Block Assembly
7	150445	4	1/4-20 x 7/8" Black Cap Head Setscrew
8	881151	1	Black Bottom Hinge Block Assembly



<u>Illus. No.</u>	<u>Part No.</u>	<u>Qty.</u>	<u>Description</u>
1	153566	2	#6-32 x 7/8" Clinch Stud
2	152013	2	#6-32 Hex Nut
3	153010	2	#6 Star Washer
4	137005	1	Single-Pole Door Switch
5	122636	2	Flag Terminal
6	881211	1	Main Door Switch Housing
7	150301	2	#8-18 x 7/16" Phillips Pan Head TEK Screw

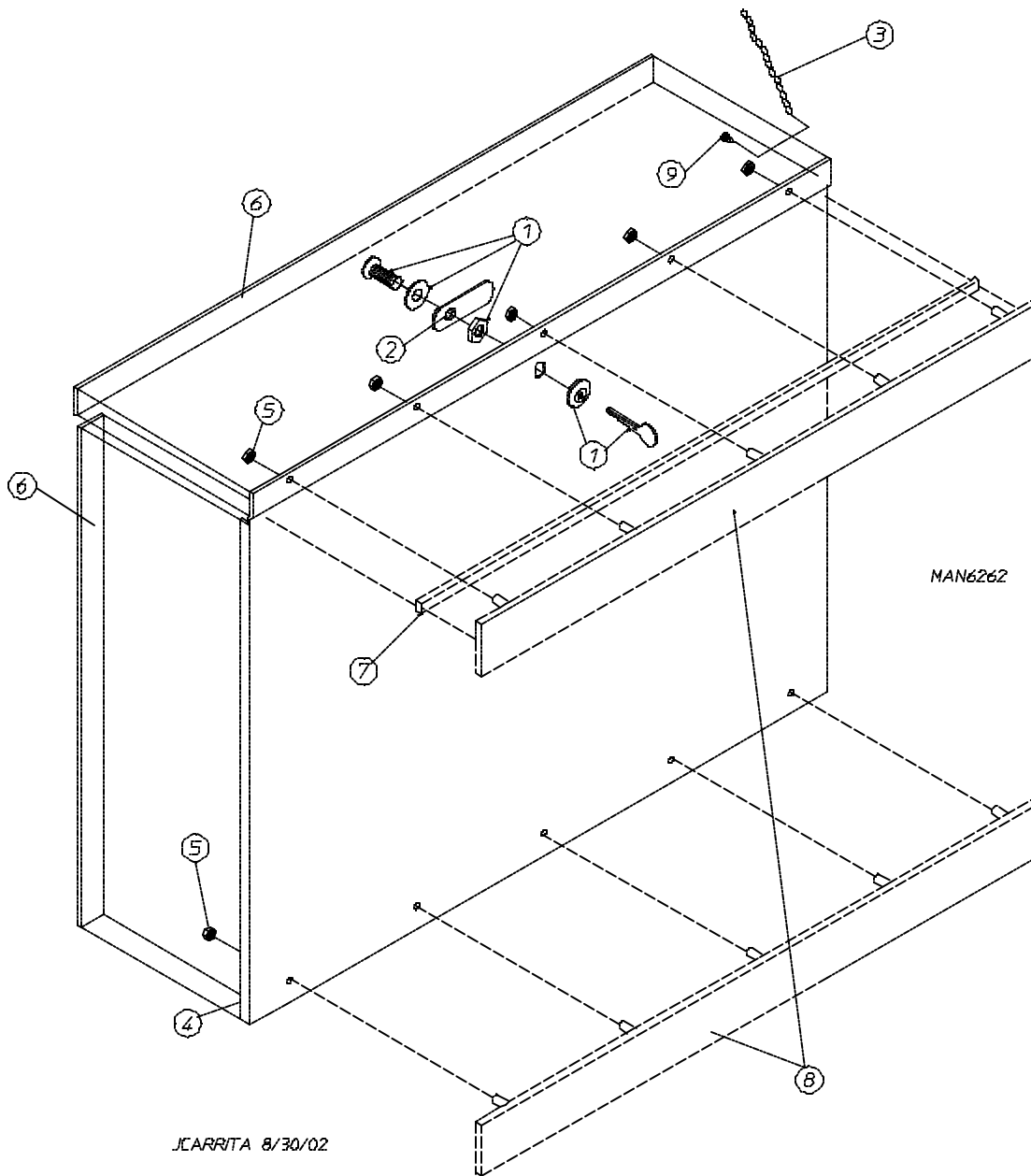


<u>Illus. No.</u>	<u>Part No.</u>	<u>Qty.</u>	<u>Description</u>
1	881150	1	Black Main Door Assembly Complete (includes illus. nos. 1, 2, and 8 through 15)
2	102354	1	Door Gasket
	170731	1	Black Glass Adhesive (10.3 oz. cartridge)
3	881152	1	Black Top Hinge Block Assembly (includes illus. nos. 3 and 4)
4	150445	2	1/4-20 x 3/4" Black Cap Head Setscrew
5	153031	1	1/4" Nylon Washer
6	881151	1	Black Bottom Hinge Block Assembly (includes illus. nos. 5 through 7)
7	150445	2	1/4-20 x 3/4" Black Cap Head Setscrew
8	150683	3	1/4-20 x 5/8" Black Carriage Bolt
9	152014	3	1/2-20 Free Spin Wash Nut
10	151010	1	#10-32 Black Hex Acorn Nut
11	150120	1	Door Latch Screw
12	150683	3	1/4-20 x 5/8" Black Carriage Bolt
13	152014	3	1/2-20 Free Spin Wash Nut
14	881210	1	Black Main Door Handle ONLY
15	102211	1	20-7/16" Door Glass
	170731	1	Black Glass Adhesive (10.3 oz. cartridge)

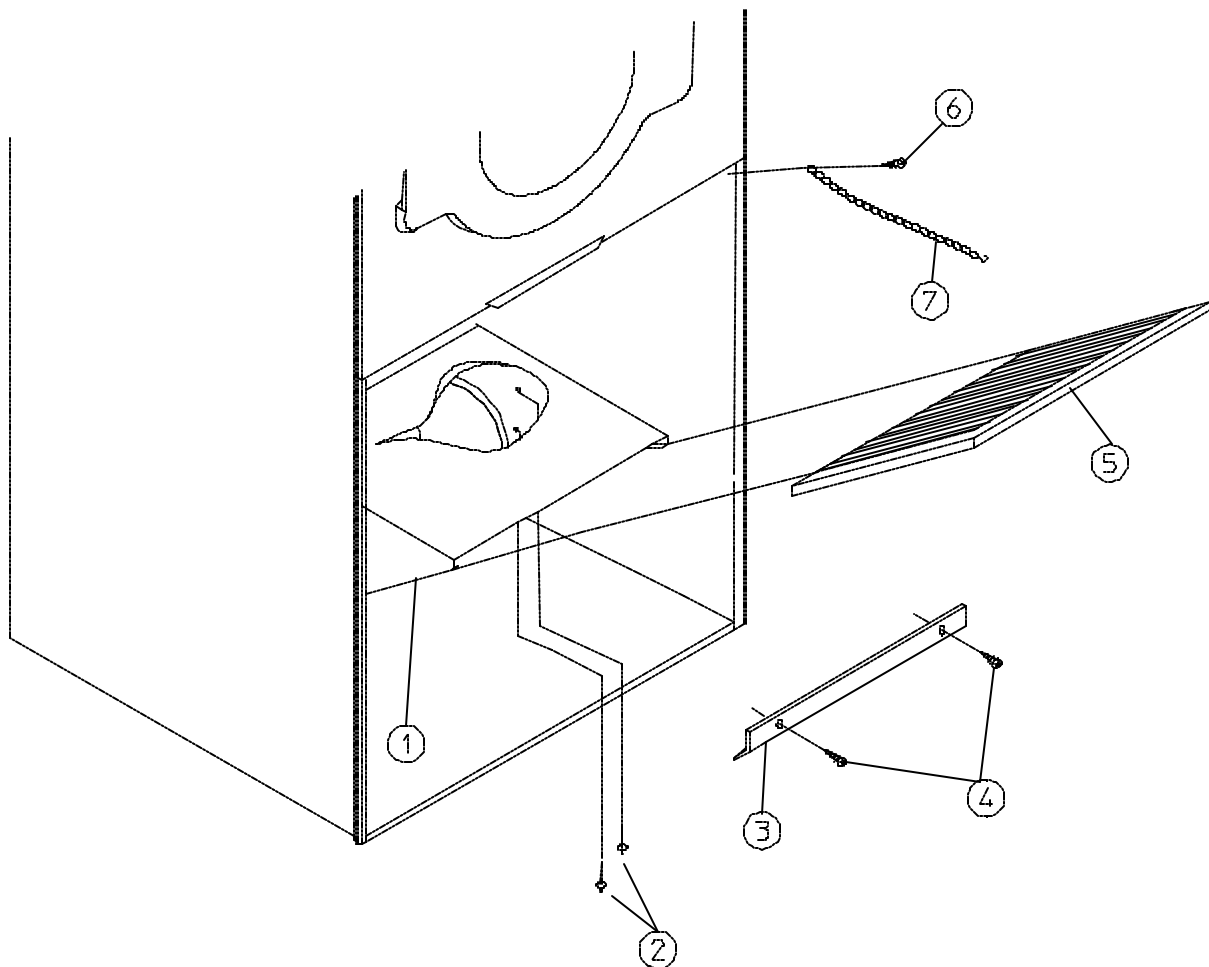


<u>Illus. No.</u>	<u>Part No.</u>	<u>Qty.</u>	<u>Description</u>
1*	817132	1	Basket (tumbler) ONLY
	883530	1	Basket (tumbler) and Support Assembly (includes illus. nos. 1 through 10)
2	150313	40	#10-16 x 1/2" TORX Crimptite Screw
	150429	1	TORX Screw Hand Driver
3	301421	4	Basket (tumbler) Rib ONLY
4	116002	1	Felt Collar ONLY
5	100902	4	5/16-18 x 31" Tie Rod
	150313	8	#10-16 x 1/2" TORX Crimptite Screw
6	153001	4	5/16" Flat Washer
7	800603	1	Basket (tumbler) Support ONLY
	100724	1	Key...Not Illustrated
8	152004	4	5/16-18 Hex Nut
9	153002	4	5/16" Lock Washer
10	153001	4	5/16" Flat Washer
---	401010	1	#847 Adhesive for Felt Collar (5.0 oz. tube)

* Felt collar is not included and **must be** ordered separately.

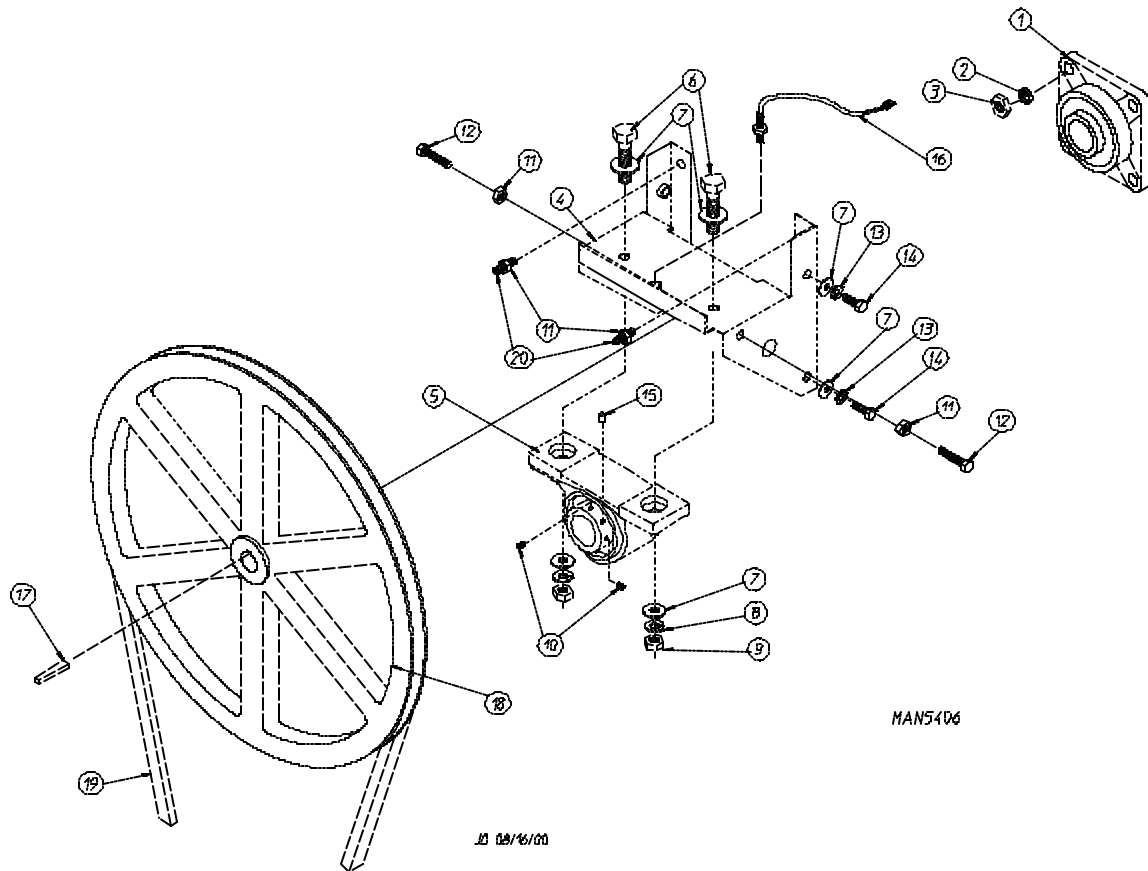


<u>Illus. No.</u>	<u>Part No.</u>	<u>Qty.</u>	<u>Description</u>
1	160001	1	AD-100 Lock Assembly with Key (for coin models Only)
	160103	1	AD-100 Key ONLY
2	160008	1	Lock Cam for AD-100 Lock and Dummy Lock
3	108120	1	Chain For Drop Lint Door
4	883533	1	White Drop Lint Door Assembly (includes illus. nos. 4 through 8)
5	152014	10	1/4-20 Hex Flange Nut
6	117604	7	Neoprene Sponge Tape (sold by the foot)
7	117603	3	Noise Suppressor Tape (sold by the foot)
8	883531	2	Black Trim/Kick Plate
9	150419	2	#6 x 1/2" Tamperproof TEK Screw
	150418	1	Tamperproof Screw Hand Driver

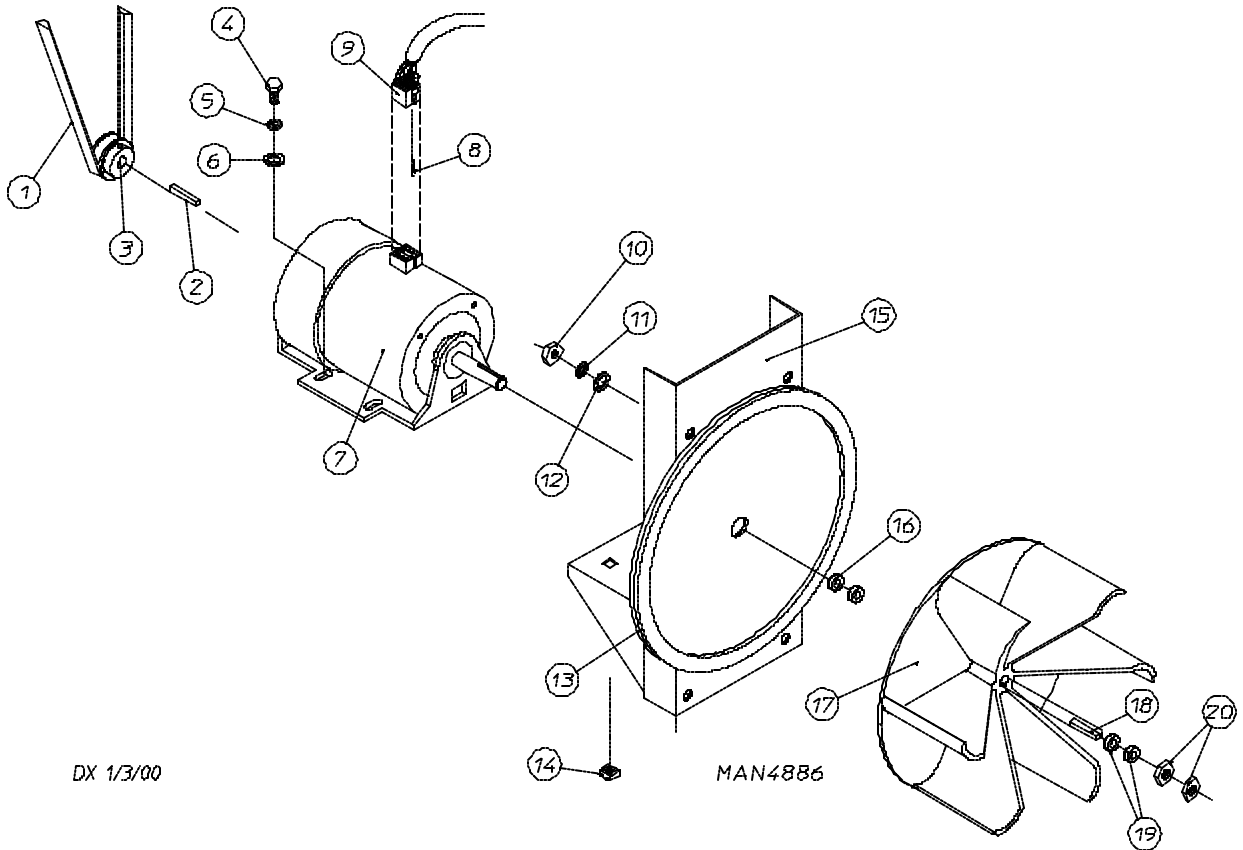


MAN0107

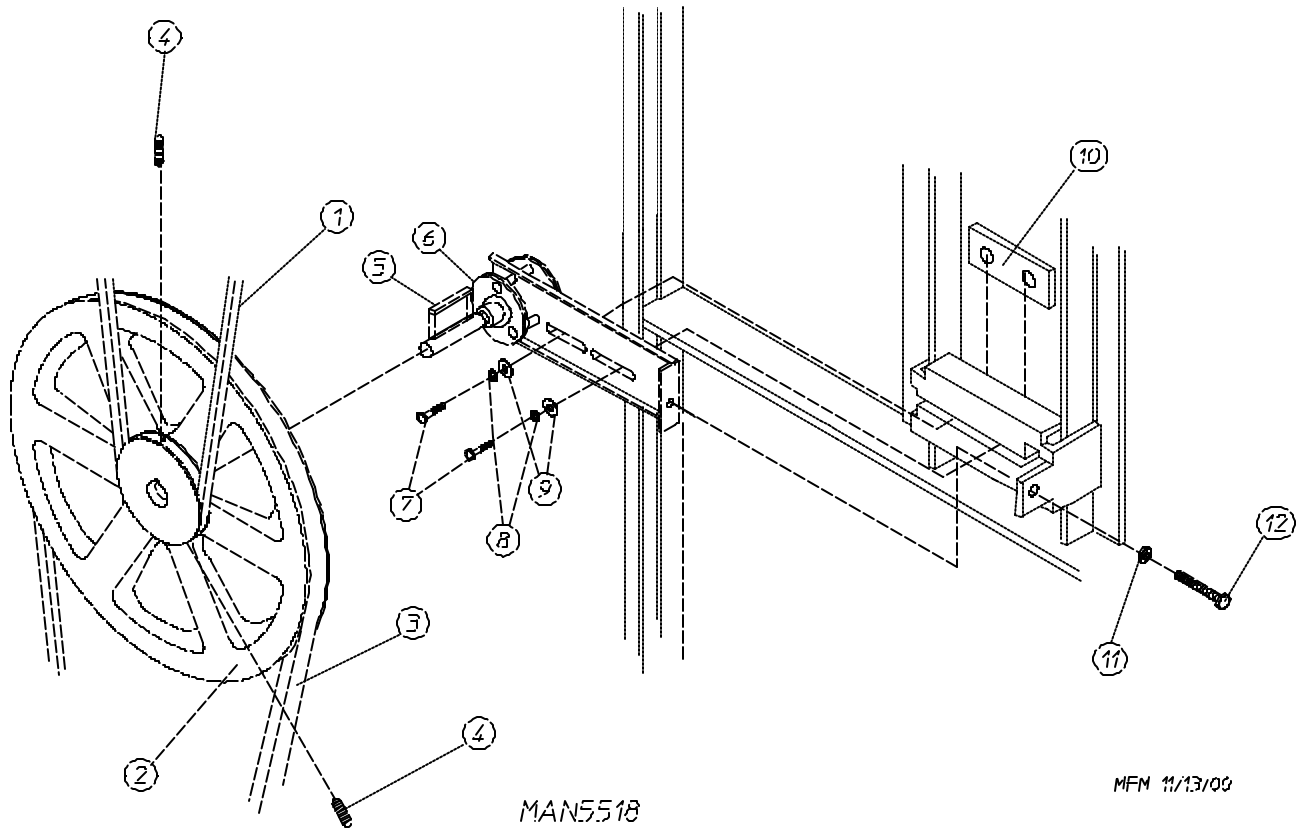
<u>Illus. No.</u>	<u>Part No.</u>	<u>Qty.</u>	<u>Description</u>
1	800408	1	Non-Reversing Lint Trap Assembly Complete (includes illus. nos. 1 and 3 through 5)
	800409	1	Lint Trap ONLY
2	154200	7	5/32" Pop Rivet
3	304102	1	Lint Screen Holder ONLY
4	150300	3	#10-16 x 1/2" Hex Washer TEK Screw
5	800503	1	Lint Screen ONLY
6	150419	2	#6 x 1/2" Tamperproof TEK Screw
7	108120	1	Chain for Drop Lint Door (10-1/2" length)
--	150418	1	Tamperproof Screw Hand Driver



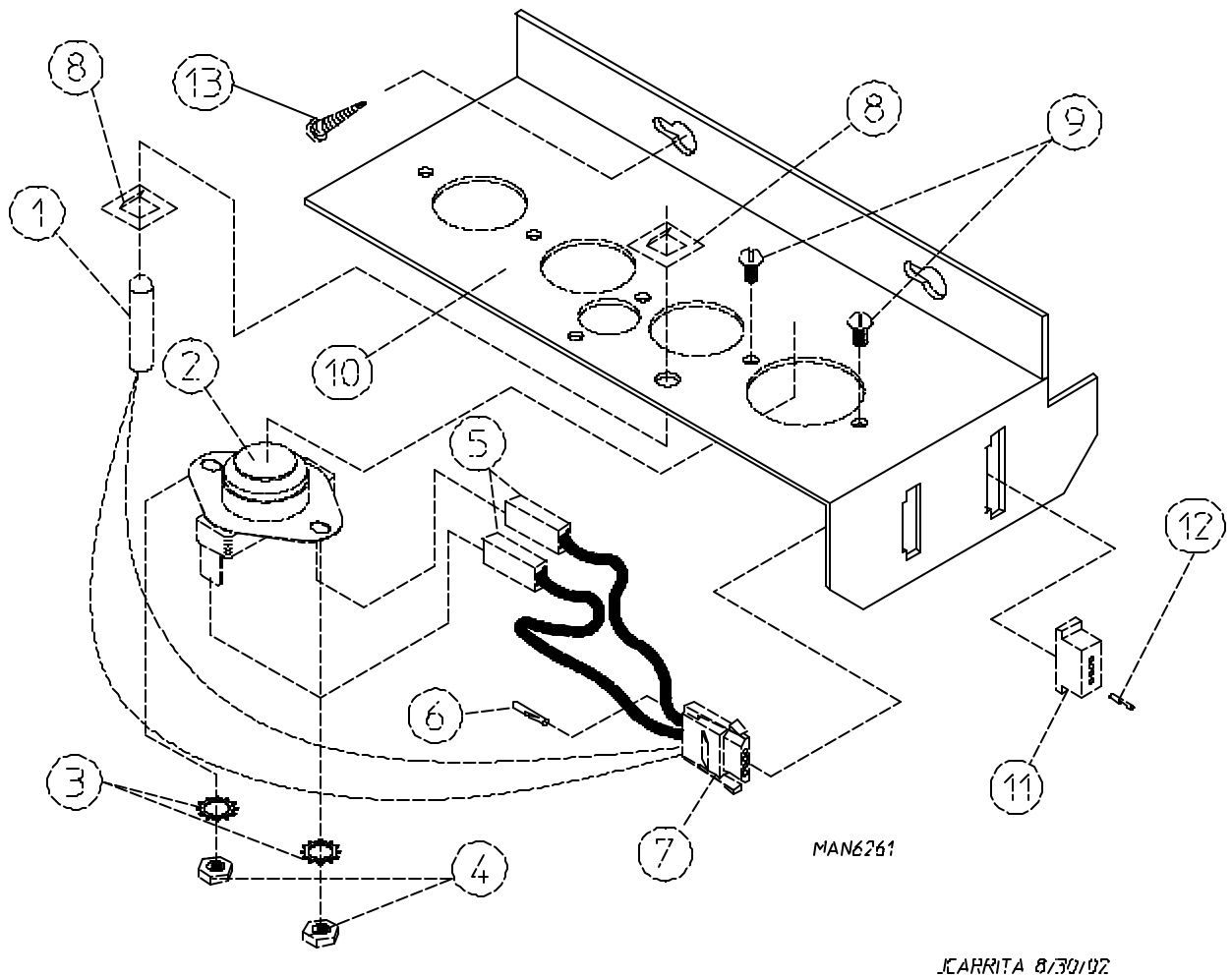
<u>Illus. No.</u>	<u>Part No.</u>	<u>Qty.</u>	<u>Description</u>
1	880203	1	1-3/8" Flange Bearing
2	153005	4	3/8" Lock Washer
3	152005	4	3/8-16 Hex Nut
4	883387	1	Bearing Assembly Complete with Rotational Sensor (includes illus. nos. 4 through 16 and 20)
	882543	1	Bearing Support ONLY
5	880779	1	1-3/8" Pillow Block Bearing Assembly
6	150601	2	3/8-16 x 2" Hex Bolt
7	153004	8	3/8" Flat Washer
8	153005	2	3/8" Lock Washer
9	152005	2	3/8-16 Hex Nut
10	154326	2	5/16-24 x 3/8" Setscrew (black)
11	152004	4	5/16-18 Hex Nut
12	150621	2	5/16-18 x 1-1/2" Tap Bolt
13	153002	4	5/16" Lock Washer
14	150501	4	5/16-18 x 3/4" Tap Bolt
15	102120	1	Sintered 8 Magnet
	401010	1	#847 Construction Mastic
16	883386	1	Rotational Sensor Assembly
17	100713	1	1/4" x 1/4" x 7/8" Key
18	101100	1	18" Pulley
19	100108	1	5L-680 V-Belt (for non-reversing models Only)
20	150610	2	5/16-18 x 1-1/2" Allen Setscrew



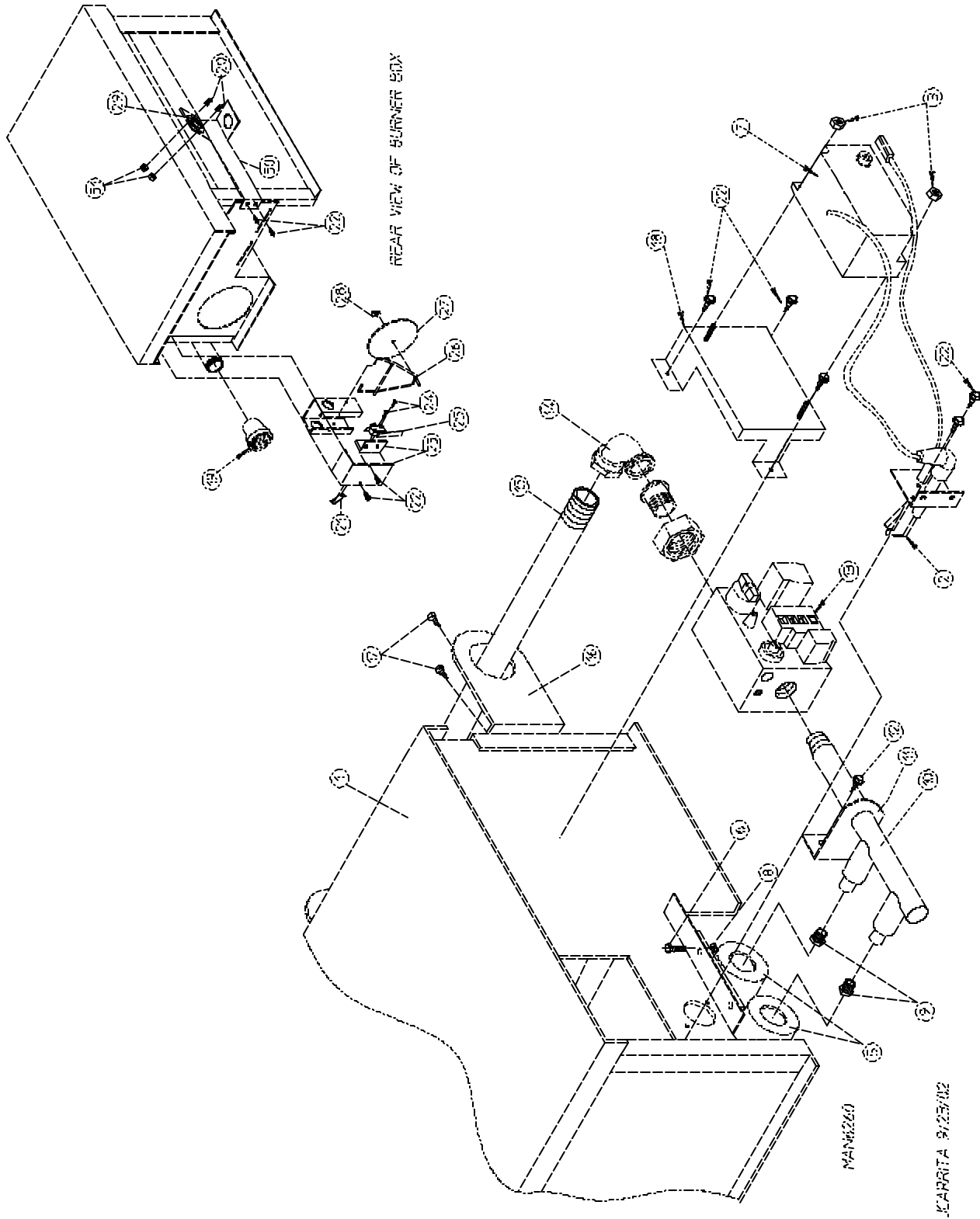
<u>Illus. No.</u>	<u>Part No.</u>	<u>Qty.</u>	<u>Description</u>
1	100110	1	4L-500 V-Belt (motor to idler)
2	100701	1	3/16" x 3/16" x 1" Key
3	101131	1	1/2" x 2-1/4" Motor Pulley
4	150501	4	5/16-18 x 3/4" Hex Head Machine Bolt
5	153002	4	5/16" Lock Washer
6	153001	4	5/16" Flat Washer
7	181049	1	1/2 HP 100v 230v 1ø 50 Hz Motor with Plug
8	122701	8	Socket Terminal ONLY
	122801	1	Pin/Socket Extraction Tool
9	137030	1	8-Pin Housing Connector
10	152004	4	5/16-18 Hex Nut
11	153002	4	5/16" Lock Washer
12	153001	4	5/16" Flat Washer
13	117604	4	Neoprene Sponge Tape (sold by the foot)
14	154000	4	5/16-18 Tinnerman Nut
15	850017	1	Motor Mount ONLY (56Z frame)
	803813	1	1/2 HP 240v 1ø 50 Hz Non-Reversing Motor Mount Assembly Complete with Plug Motor (includes illus. nos. 3 through 7 and 13 through 20)
16	153050	2	1/2" S.A.E. Flat Washer
17	100604	1	12-1/2" Impellor with 1/2" Bore
18	100702	1	1/8" x 1/8" x 1-1/2" Key
19	153050	2	1/2" S.A.E. Flat Washer
20	152006	2	1/2-20 Left Hand Jam Nut



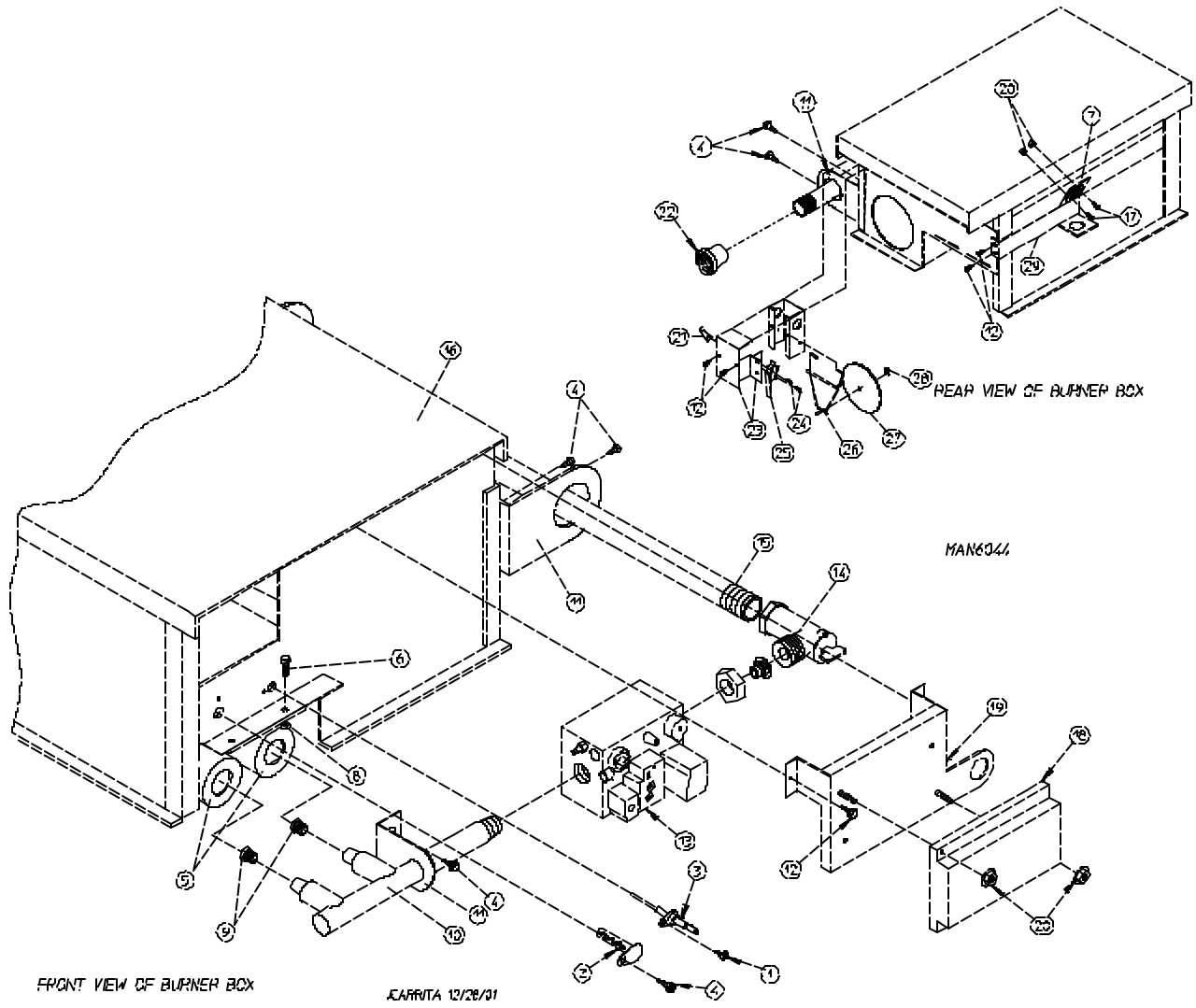
<u>Illus. No.</u>	<u>Part No.</u>	<u>Qty.</u>	<u>Description</u>
1	100107	1	5L-670 V-Belt (idler to basket [tumbler])
2	101129	1	9-1/2 x 3" Compound Pulley
3	100110	1	4L-500 V-Belt (idler to motor)
4	154301	2	5/16-18 x 1" Allen Setscrew
5	100705	1	3/16" x 3/16" x 1-3/8" Key
6	882576	1	Idler Bearing Assembly Complete (includes illus. nos. 5 through 12)
7	150617	2	3/8-16 x 1" Hex Head Machine Bolt
8	153005	2	3/8" Lock Washer
9	153004	2	3/8" Flat Washer
10	801009	1	Idler Square Washer
11	152004	1	5/16-18 Hex Nut
12	150509	1	5/16-18 x 3" Hex Head Machine Bolt



Illus. No.	Part No.	Qty.	Description
1	880251	1	1/4" Temperature Sensor Probe Assembly (includes illus. nos. 1 and 5 through 8)
2	130301	1	225° Manual Reset Thermostat
3	153010	2	#6 Star Washer
4	152000	2	#6-32 Hex Nut
5	121028	2	Insulated Terminal ONLY
6	122701	4	Socket Terminal ONLY
7	122605	1	4-Pin Socket Connector ONLY
8	154007	2	1/4" Tinnerman Push On Fastener
9	150005	2	#6-32 x 1/4" Round Head Machine Screw
10	801425	1	Microprocessor Sensor Bracket Assembly Complete (includes illus. nos. 1 through 10)
	305007	1	Universal Sensor Bracket ONLY
11	122604	1	4-Pin Connector ONLY
12	122700	4	Pin Terminal ONLY
13	150301	2	#8-18 x 7/16" Phillips Pan Head TEK Screw



<u>Illus. No.</u>	<u>Part No.</u>	<u>Qty.</u>	<u>Description</u>
1	850858	1	Direct Spark Ignition (DSI) Burner Box ONLY
	816125	1	Natural Gas Burner Assembly (includes illus. nos. 1 through 8 and 10 through 31)
	883532	1	Liquid Propane (L.P.) Gas Burner Assembly (includes illus. nos. 1 through 8 and 10 through 31)
	883361	1	D-3030 Liquid Propane (L.P.) Conversion Kit
2	809307	1	Ignitor Probe Assembly
3	152013	2	#6-32 Hex Nut
4	150309	5	#10-16 x 1/2" Hex Head TEK Crimptite Screw
5	141105	2	Large Tube Burner
6	150108	2	#8-32 x 1/2" Pan Head Machine Screw
7	128941	1	ADC CE Direct Spark Ignition (DSI) Module (3 tries)
8	151001	2	#8-32 Pal Nut
9	140804	2	#48 Burner Orifice (liquid propane [L.P.] gas)
	140819	2	#30 Burner Orifice (natural gas)
10	141230	1	1/2" Direct Spark Ignition (DSI) Manifold (2-port)
11	318700	1	Pipe Bracket (bent)
12	150300	2	#10 x 1/2" Hex Washer TEK Screw
13	128933	1	1/2" 24 VAC CE Gas Valve (natural gas)
14	141317	1	1/2" Bronze Union Elbow
15	142809	1	1/2" x 29-1/8" Pipe
16	318700	2	Pipe Bracket (bent)
17	150309	4	#10-16 x 1/2" Hex Head TEK Crimptite Screw
18	810030	1	Johnson Direct Spark Ignition (DSI) Module Mounting Bracket
19	142935	1	1/2" BSPT x 1/2" N.P.T. Transition Coupling
20	150005	2	#6-32 x 1/4" Round Head Machine Screw
21	154004	1	Twin Speed Nut
22	150300	9	#10-16 x 1/2" Hex Washer TEK Screw
23	802799	1	Sail Switch Top and Switch Bracket
24	150303	2	#4 x 3/4" Pan Head "A" Machine Screw
25	122200	1	SPST Sail Switch
26	105500	1	Sail Switch Actuator Rod
27	319202	1	Sail Switch Damper (flat)
28	154002	1	1/8" Push On Fastener
29	130201	1	330° Hi-Limit Manual Reset
30	319704	1	Hi-Limit Mounting Bracket
31	152013	2	#6-32 Hex Nut

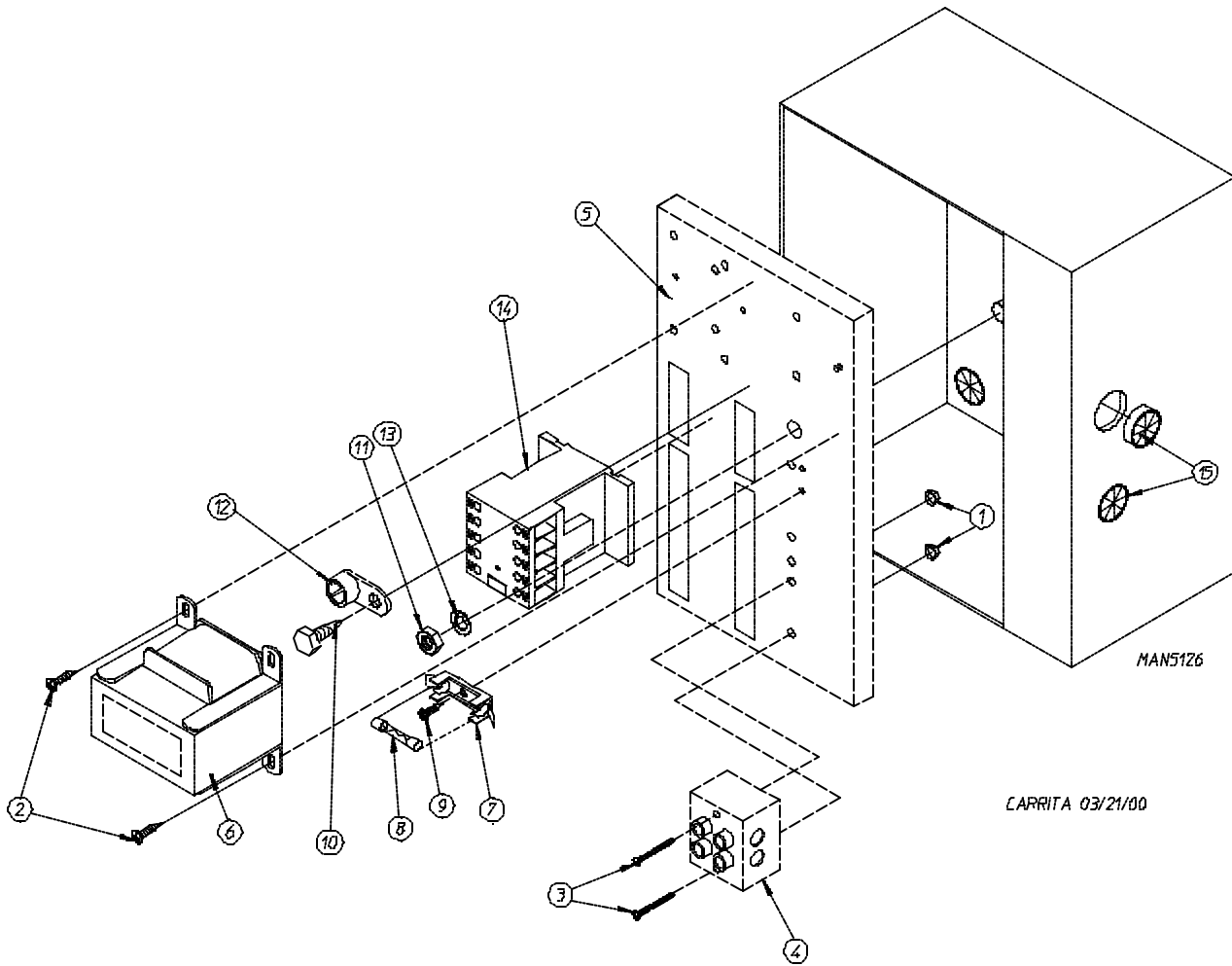


<u>Illus. No.</u>	<u>Part No.</u>	<u>Qty.</u>	<u>Description</u>
1	150301	1	#8-18 x 7/16" Phillips Pan Head TEK Screw
2	128920	1	Hot Surface Ignitor 24V 2-1/2" Long
3	128921	1	Hot Surface Ignition (HSI) Flame Sensor
4	150309	7	#10-16 x 1/2" Hex Head TEK Crimptite Screw
5	141105	2	Large Tube Burner
6	150108	2	#8-32 x 1/2" Pan Head Machine Screw
7	130201	1	330° Hi-Limit with Manual Reset
8	151001	2	#8-32 Pal Nut
9	140820*	2	#29 Orifice (natural gas)
	140804*	2	#48 Orifice (liquid propane [L.P.] gas)
10	141230	1	1/2" Direct Spark Ignition (DSI) Manifold (2-port)
11	318700	3	Pipe Bracket (bent)
12	150300	7	#10-16 x 1/2" Hex Washer TEK Screw
13	128933	1	CE Gas Valve
	883255	1	CE 1/2" Liquid Propane (L.P.) Gas Valve
14	141314	1	90° x 1/2" x 1-1/2" Gas Shutoff Assembly
15	142809	1	1/2" x 29-1/8" Pipe
16	850896	1	Hot Surface Ignition (HSI) Burner Box ONLY
	817066**	1	Hot Surface Ignition (HSI) Burner Assembly (natural gas)
	817067**	1	Hot Surface Ignition (HSI) Burner Assembly (liquid propane [L.P.] gas)
	883361	1	D-3030 Liquid Propane (L.P.) Conversion Kit
	882603***	1	Steam to Gas Interface Plate
17	150001	2	Round Head Machine Screw
18	128975	1	CE Hot Surface Ignition (HSI) Module
19	810029	1	Hot Surface Ignition (HSI) Module Mounting Bracket Assembly
20	151000	4	#6-32 Pal Nut
21	154004	1	Twin Speed Nut
22	142935	1	1/2" BSPT x 1/2" N.P.T. Transition Coupling
23	802799	1	Sail Switch Top and Switch Bracket
24	150303	2	#4 x 3/4" Pan Head "A" Machine Screw
25	122200	1	SPST Sail Switch
26	105500	1	Sail Switch Actuator Rod
27	319202	1	Sail Switch Damper (flat)
28	154002	1	1/8" Push On Fastener
29	319704	1	Hi-Limit Mounting Bracket

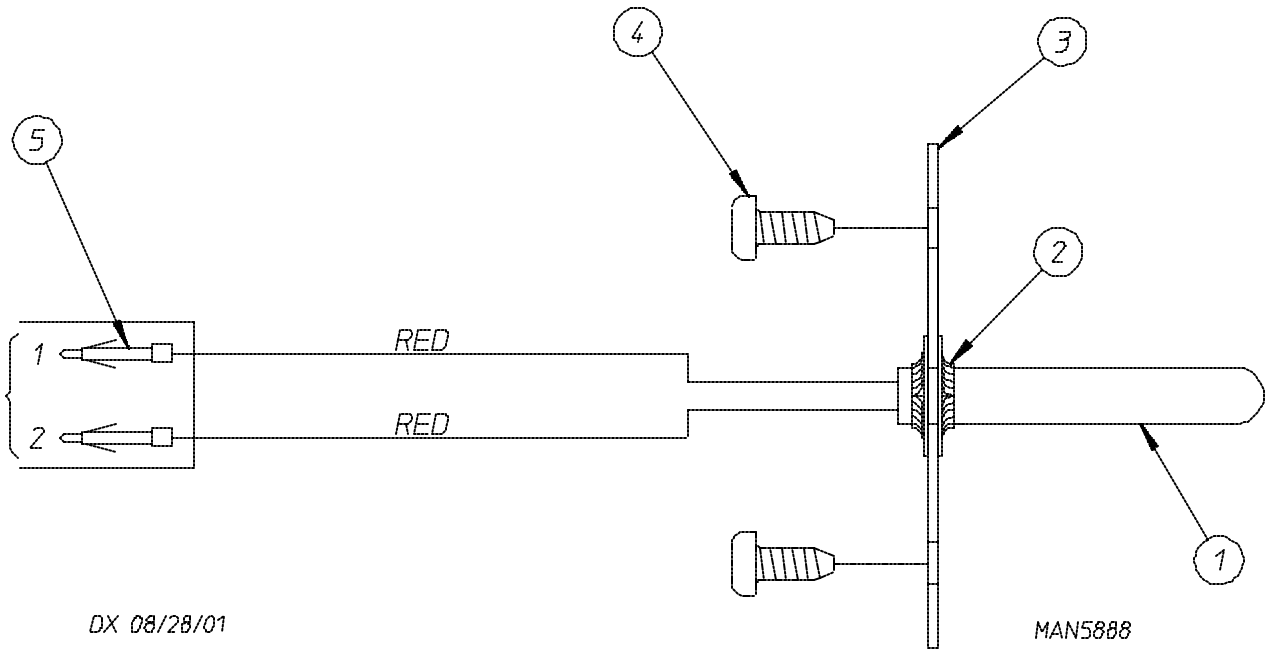
* Consult factory for elevations over 2,000 feet.

** Burner orifices *are not included* and **must be** ordered separately.

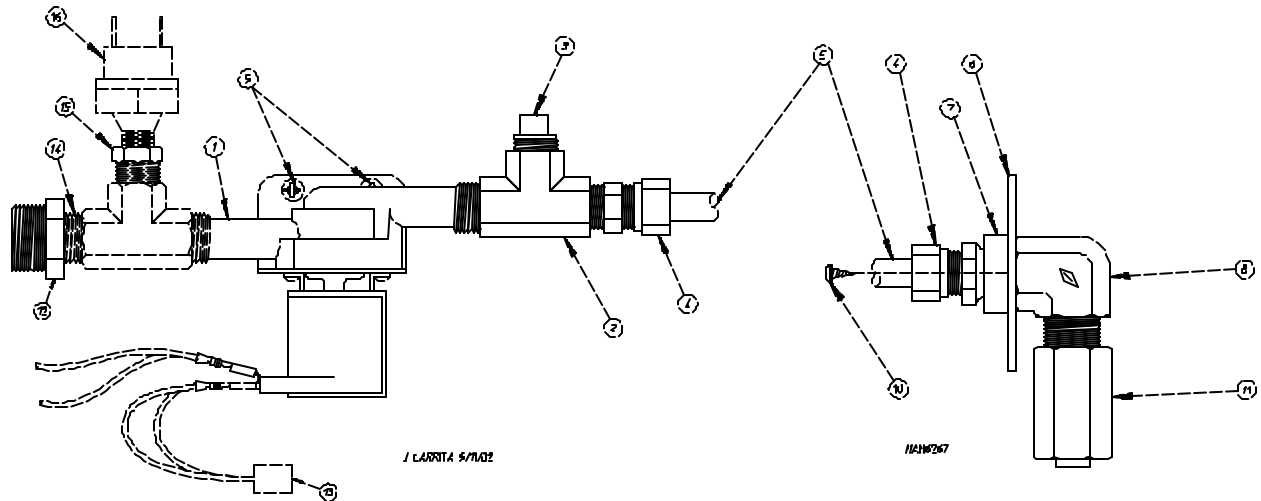
*** Needed when converting steam heat to gas heat.



Illus. No.	Part No.	Qty.	Description
1	151000	2	#6-32 Pal Nut
2	150300	2	#10-16 x 1/2" Hex Washer TEK Screw
3	150008	2	#6-32 x 1-1/4" Phillips Pan Head Machine Screw
4	120716	1	2-Position Terminal Block
5	322812	1	Rear Electric Mounting Plate ONLY
	822798	1	Rear Electric Panel Assembly Complete - 230 Volt 1ø (includes illus. nos. 1 through 14)
6	822799	1	Transformer Assembly - 230 Volt 1ø
7	136008	2	Fuse Holder ONLY
8	136057	2	1/2-Amp (Slo-Blo) Fuse ONLY
9	150301	4	#8-18 x 7/16" Phillips Pan Head TEK Screw
10	150297	1	#10 x 1/2" Green Hex Washer TEK Screw
11	152004	1	5/16-18 Hex Nut
12	121010	1	L-70 Ground Lug
13	153002	1	5/16" Lock Washer
14	132495	1	3-Pole Contactor
15	121300	3	Open/Close Bushing

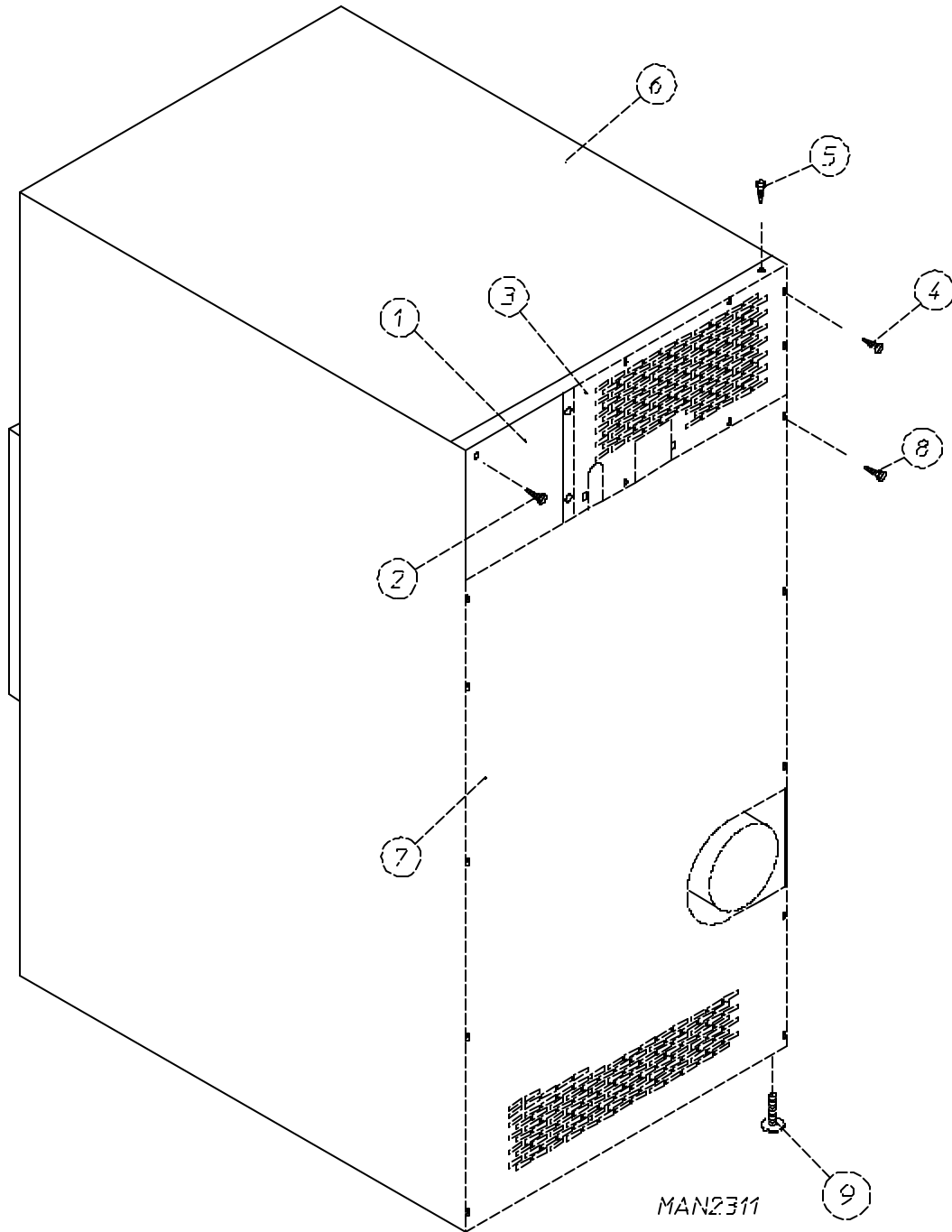


<u>Illus. No.</u>	<u>Part No.</u>	<u>Qty.</u>	<u>Description</u>
1	822752	1	S.A.F.E. Temperature Probe Assembly (includes illus. nos. 1 through 5)
2	154007	2	Push On Fastener
3	390390	1	Sensor Bracket ONLY
4	150301	2	#8-18 Phillips Pan Head TEK Screw
5	122647	1	Connector ONLY



<u>Illus. No.</u>	<u>Part No.</u>	<u>Qty.</u>	<u>Description</u>
1	165114	1	S.A.F.E. Solenoid Valve 24V 50/60 Hz
2	143220	1	3/8" F.P.T. Brass Tee
3	143251	1	3/8" M.P.T. Brass Plug
4	143208	2	3/8" Comp x 3/8" M.P.T. Brass Connector
5	143099*	6'	3/8" OD x 0.035 Wall Copper Tubing
6	311588	1	Sprinkler Head Mounting Plate
7	143303	1	3/8" N.P.T. Brass Locknut
8	143155	1	3/8" Brass Elbow 90°
9	150430	2	#10 x 1/2" Self Drilling Screw
10	150301	2	#8-18 x 7/16" TEK Screw
11	143581	1	3 GPM 3/8" F.P.T. Spray Nozzle
12	142887	1	3/4" to 3/8" Bushing for S.A.F.E. Solenoid Valve
13	824081	1	R.C. Network Assembly
14	143241	1	3/8" x Close Brass Nipple
15	143315	1	3/8" MNPT x 1/8" FNPT Brass Bushing
16	136987	1	Water Jet Pressure Switch

* Sold by the foot.



<u>Illus. No.</u>	<u>Part No.</u>	<u>Qty.</u>	<u>Description</u>
1	322809	1	Back Electrical Box Cover
2	150301	4	#8-18 x 7/16" Phillips Pan Head TEK Screw
3	330077	1	Top Back Guard
4	150301	7	#8-18 x 7/16" Phillips Pan Head TEK Screw
5	150301	10	#8-18 x 7/16" Phillips Pan Head TEK Screw
6	312510	1	Outer Top
7	314513	1	Bottom Back Guard
8	150301	13	#8-18 x 7/16" Phillips Pan Head TEK Screw
9	103500	4	Leveling Leg

<u>Part No.</u>	<u>Description</u>
112280	“Clean Lint Screen” Label
114001	“CAUTION Exhaust/Lint Screen” Label
114548	“Phase 7 Coin Program Location Summary” Label
120100	3/8” Straight (BX) Connector
120300	3/8” x 45° (BX) Connector
120400	3/8” Red Jacket (BX) Insulator
120500	3/8” Jiffy Clip (BX retainer clip)
120600	3/8” Greenfield (BX)
120707	Terminal Strip (2-position)
120708	Terminal Strip (3-position)
120800	1/4” In-Line Connector
120802	Red Butt Connector
120902	#74B Wire Nut
120903	Crimp-On Wire Nut
121014	1/4” Insulated (female) Terminal
121026	Tab Receptacle Combination
121499	5-1/2” Harness Tie
121500	8” Harness Tie
121503	Harness Tie Mounting Clip
122804	Manometer (hydro gauge) for Measuring Gas Pressure
404502	White Brush-In-Cap Bottle Touch-Up Paint

