



**AD-25V Phase 7  
OPL/Dual Timer  
Parts Manual  
(for models mfd. as of July 1, 2002)**

---

---

**American Dryer Corporation**  
88 Currant Road  
Fall River, MA 02720-4781  
Telephone: (508) 678-9000 / Fax: (508) 678-9447  
E-mail: [techsupport@amdry.com](mailto:techsupport@amdry.com)  
[www.amdry.com](http://www.amdry.com)

# Retain This Manual In A Safe Place For Future Reference

American Dryer Corporation products embody advanced concepts in engineering, design, and safety. If this product is properly maintained, it will provide many years of safe, efficient, and trouble free operation.

*ONLY qualified technicians should service this equipment.*

**OBSERVE ALL SAFETY PRECAUTIONS** displayed on the equipment or specified in the installation manual included with the dryer.

The following “**FOR YOUR SAFETY**” caution **must be** posted near the dryer in a prominent location.

**FOR YOUR SAFETY**

Do not store or use gasoline or other flammable vapors and liquids in the vicinity of this or any other appliance.

**POUR VOTRE SÉCURITÉ**

Ne pas entreposer ni utiliser d'essence ni d'autres vapeurs ou liquides inflammables à proximité de cet appareil ou de tout autre appareil.

We have tried to make this manual as complete as possible and hope you will find it useful. **ADC** reserves the right to make changes from time to time, without notice or obligation, in prices, specifications, colors, and material, and to change or discontinue models.

## Important

For your convenience, log the following information:

**DATE OF PURCHASE** \_\_\_\_\_ **MODEL NO.** \_\_\_\_\_ **AD-25V**

**RESELLER'S NAME** \_\_\_\_\_

**Serial Number(s)** \_\_\_\_\_

\_\_\_\_\_

\_\_\_\_\_

Replacement parts can be obtained from your reseller or the **ADC** factory. When ordering replacement parts from the factory, you can FAX your order to **ADC** at (508) 678-9447 or telephone your order directly to the **ADC** Parts Department at (508) 678-9000. Please specify the dryer **model number** and **serial number** in addition to the **description** and **part number**, so that your order is processed accurately and promptly.

The illustrations on the following pages may not depict your particular dryer exactly. The illustrations are a composite of the various dryer models. Be sure to check the descriptions of the parts thoroughly before ordering.

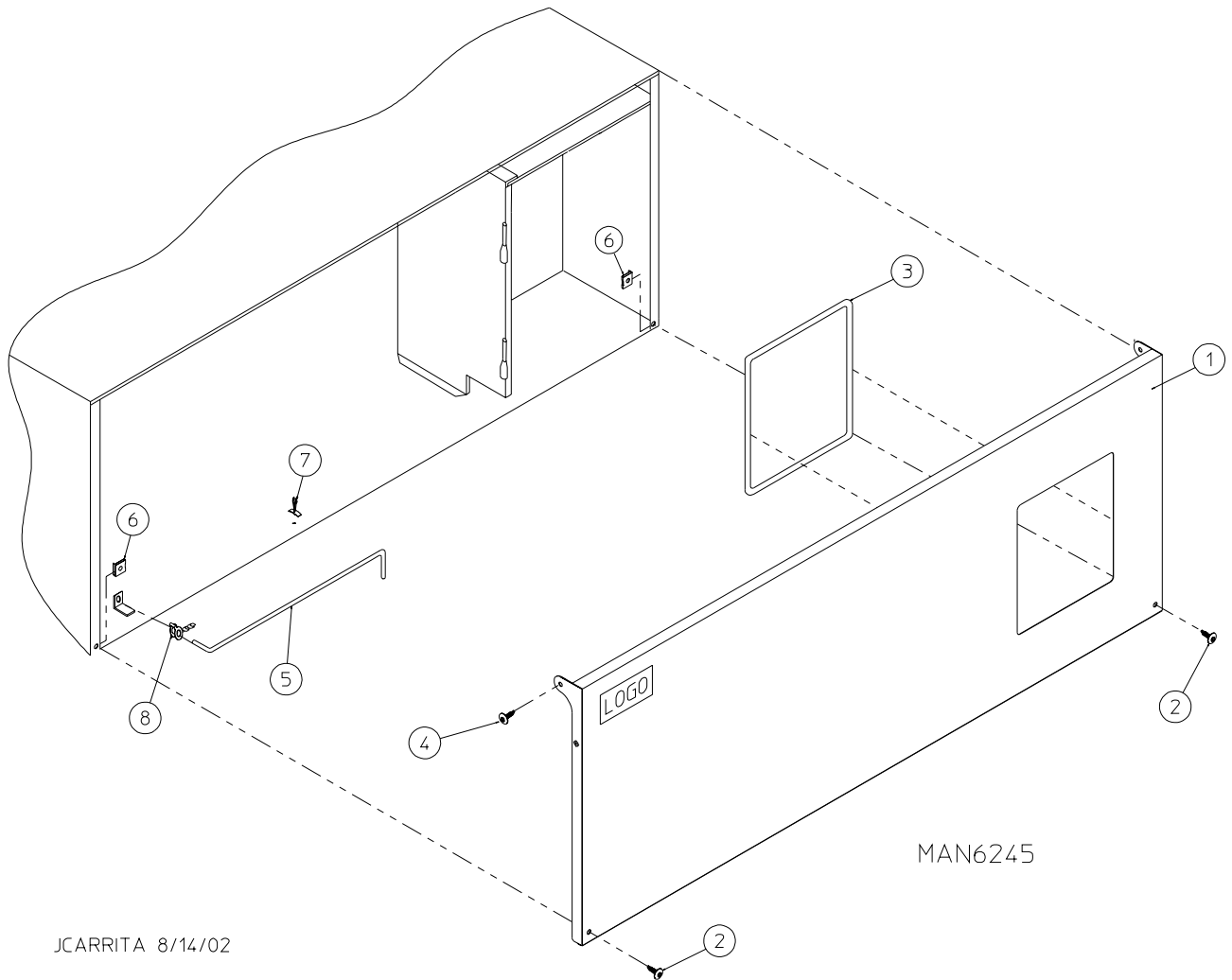
**“IMPORTANT NOTE TO PURCHASER”**

Information **must be** obtained from your local gas supplier on the instructions to be followed if the user smells gas. These instructions **must be** posted in a prominent location near the dryer.

# *Table of Contents*

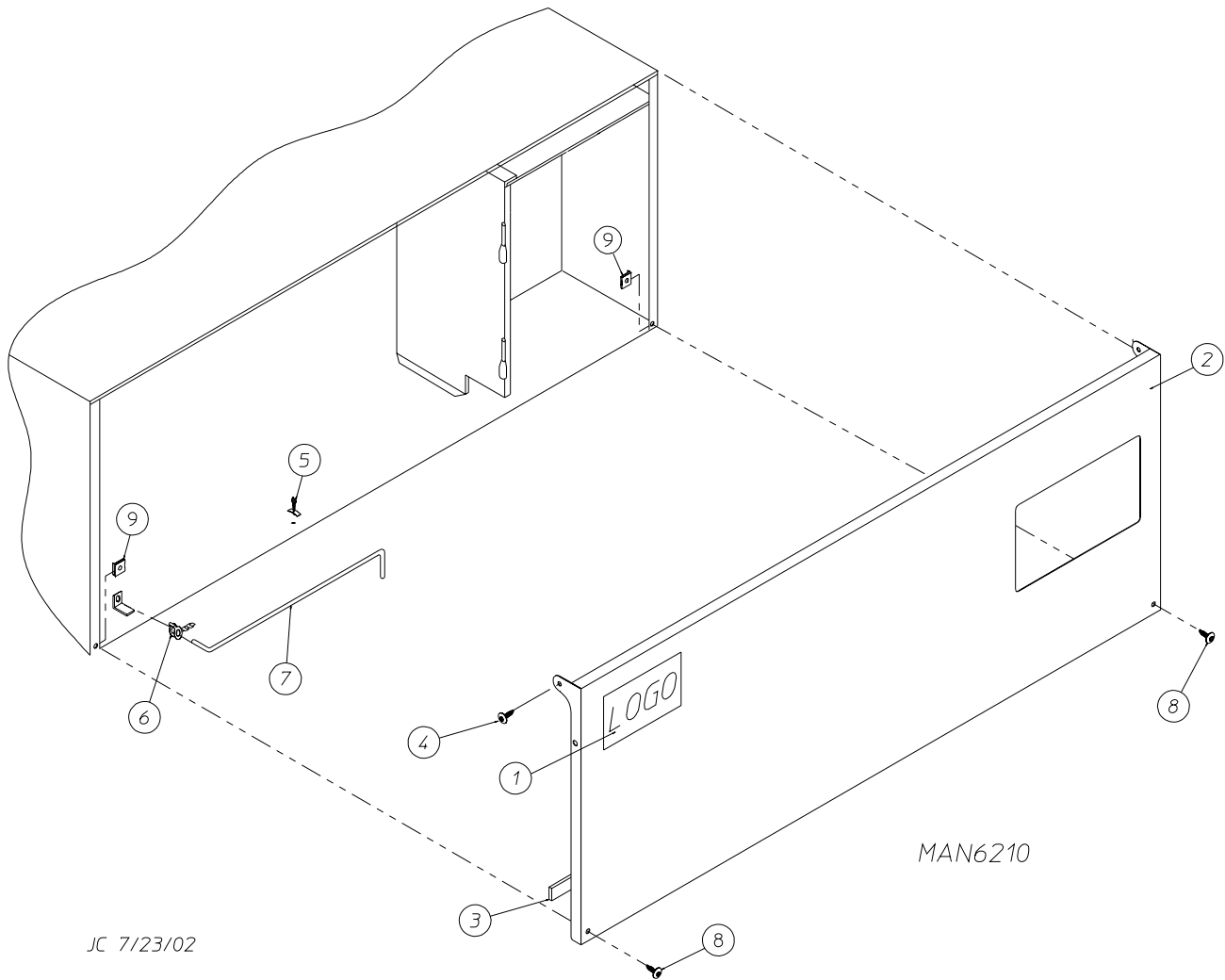
Phase 7 OPL Control Door Assembly .....	3
Dual Timer Control Door Assembly .....	4
Phase 7 OPL Microprocessor Control Panel Assembly .....	5
Phase 7 OPL Microprocessor Control Box Assembly .....	6
Dual Timer “Tap Touch” Controls .....	7
Dual Timer Control Box Assembly .....	8
Front Panel Assembly .....	9
Main Door “Steel” Assembly .....	10
Main Door Switch Assembly .....	11
Basket (Tumbler)/Support Assemblies .....	12
Drop Lint Door Assembly .....	13
Lint Trap Assembly .....	14
Idler Bearing Assembly .....	15
Basket (Tumbler) Bearing Assembly .....	16, 17
Non-Reversing Motor Mount Assembly .....	18, 19
Reversing Motor Mount Assembly .....	20, 21
Sensor Bracket Assemblies .....	22, 23
Gas Burner Assembly .....	24, 25
CE Gas Burner Assembly	
For Models Mfd. as of August 27, 2002 .....	26, 27
CE Gas Burner Assembly	
For Models Mfd. prior to August 27, 2002 .....	28, 29
Electric Oven Assembly .....	30, 31
Sail Switch/Hi-Limit Assemblies .....	32, 33
Phase 7 OPL Single-Phase (1 $\phi$ ) Rear Relay Panel Assembly .....	34, 35
Phase 7 OPL 208-416V 3-Phase (3 $\phi$ ) Rear Relay Panel Assembly .....	36, 37
Phase 7 OPL 460-480V Rear Relay Panel Assembly .....	38, 39
Phase 7 OPL 208-416V Reversing Rear Relay Panel Assembly .....	40, 41
Phase 7 OPL 460-480V Reversing Rear Relay Panel Assembly .....	42, 43
D.T. Single-Phase (1 $\phi$ ) Rear Relay Panel Assembly .....	44
D.T. 208-416V 3-Phase (3 $\phi$ ) Rear Relay Panel Assembly .....	45
D.T. 460-480V 3-Phase (3 $\phi$ ) Rear Relay Panel Assembly .....	46

D.T. 208-416V Reversing Rear Relay Panel Assembly .....	47
D.T. 460-480V Reversing Rear Relay Panel Assembly .....	48, 49
Steam Coil/Air-Operated Steam Damper Assembly .....	50, 51
S.A.F.E. Temperature Probe Assembly .....	52
S.A.F.E. Solenoid and Piping Assembly .....	53
Outer Top/Back Guard Assemblies .....	54
Electrical Oven Component Application Chart	
For Micro Models Only .....	55
Electrical Oven Component Application Chart	
For Dual Timer Models Only .....	56
Additional Parts Available .....	57

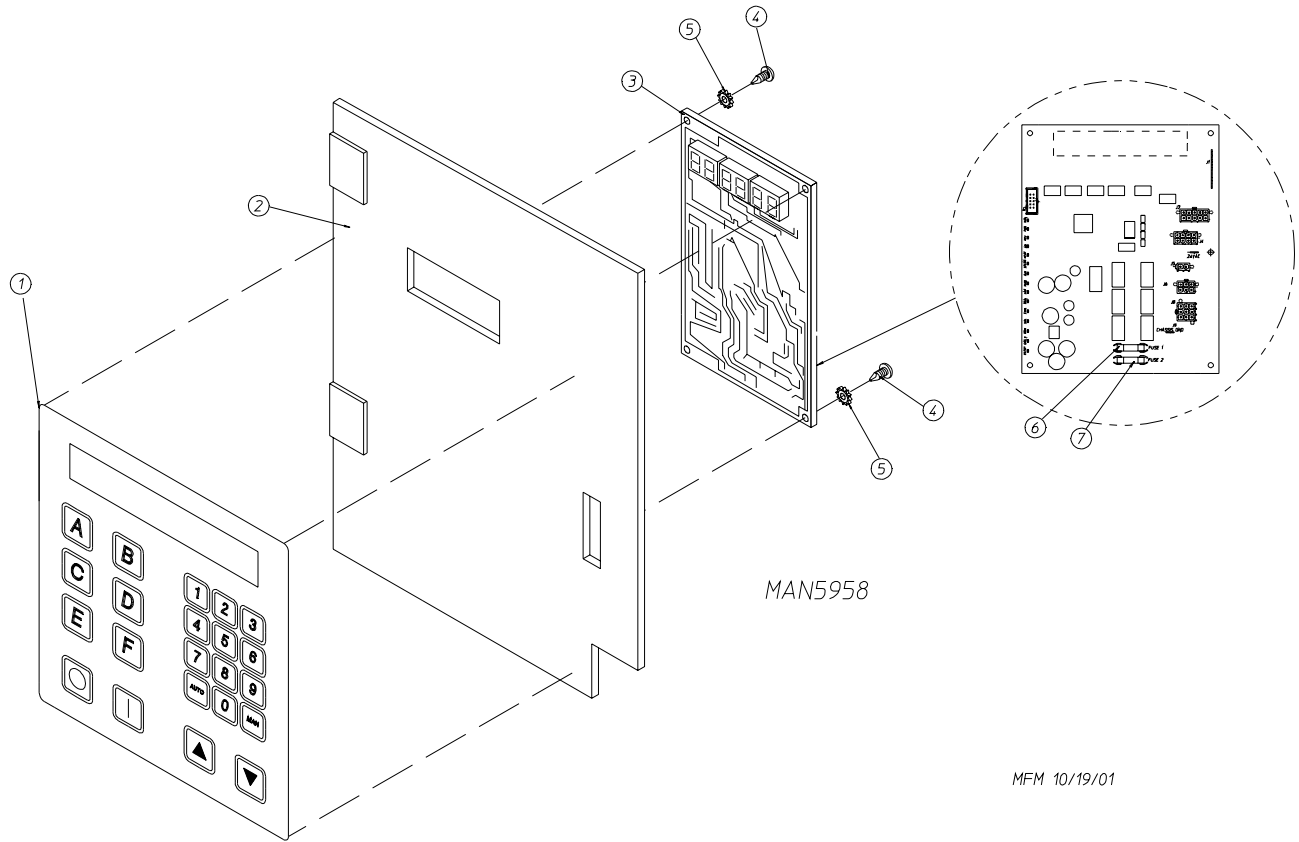


JCARRITA 8/14/02

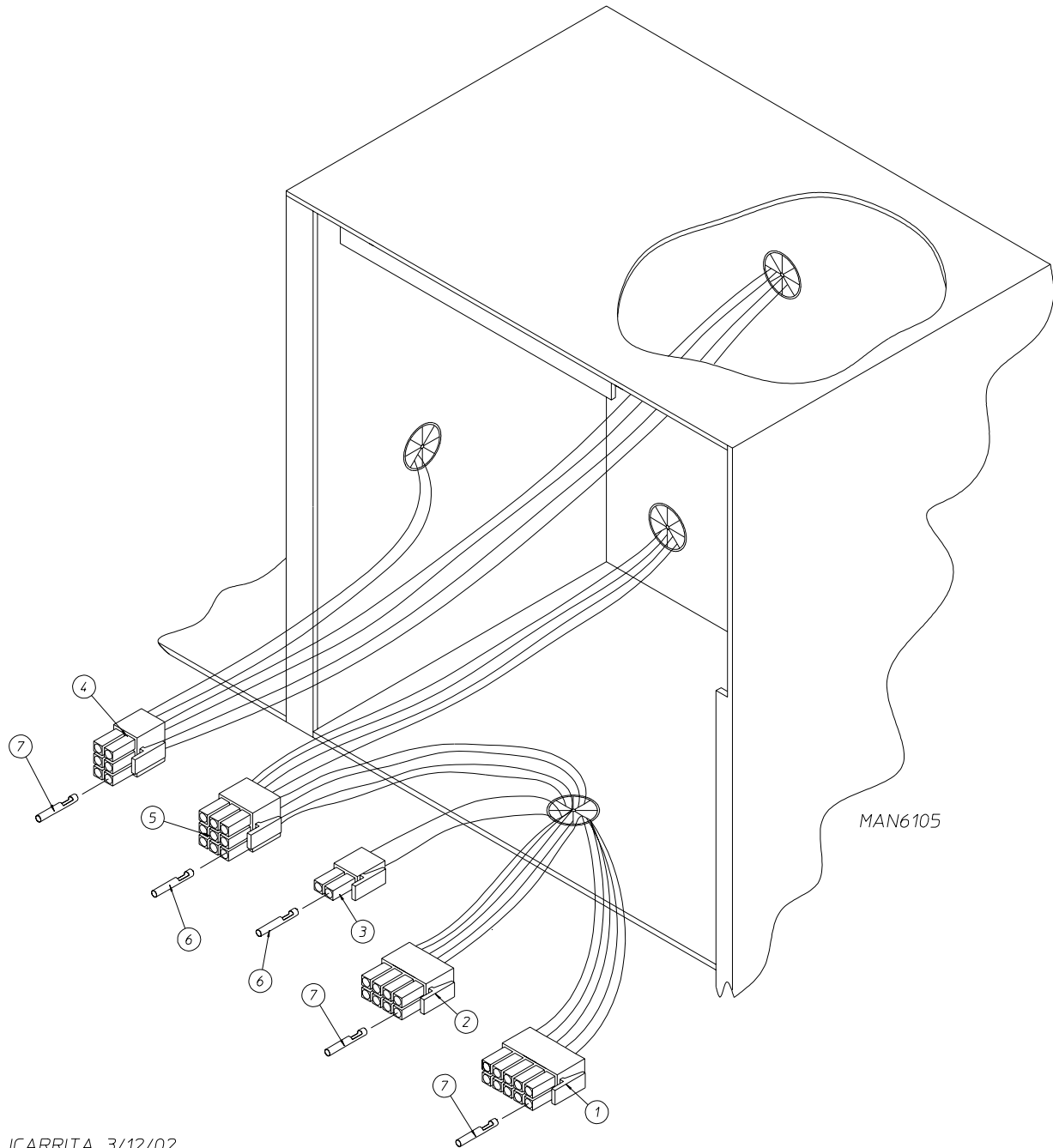
<u>Illus. No.</u>	<u>Part No.</u>	<u>Qty.</u>	<u>Description</u>
1	883574	1	White Control Door Assembly (includes illus. nos. 1 and 3)
	883746	1	Coral Blue Control Door Assembly (includes illus. nos. 1 and 3)
	883747	1	Ivory Control Door Assembly (includes illus. nos. 1 and 3)
2	150321	2	#10-32 x 1/2" Phillips Machine Screw
3	117604	4	Noise Suppression Tape (sold by the foot)
4	150317	2	#10-16 x 3/4" TORX + Screw
	150318	1	25 IP TORX + Bit (for removal of TORX head screw)
5	102502	1	Control Door Support Rod
6	154011	2	#10-32 Multi-Thread U-Nut
7	102603	1	Control Door Rod Support Catch
8	102601	1	Control Door Retainer Clip



<u>Illus. No.</u>	<u>Part No.</u>	<u>Qty.</u>	<u>Description</u>
1	881053	1	<b>ADC Logo with Tape</b>
	870011	1	<b>Double Sided Tape Kit</b>
2	883550	1	<b>White Control Door Assembly</b> (includes illus. nos. 2 and 3)
	883551	1	<b>Ivory Control Door Assembly</b> (includes illus. nos. 2 and 3)
	883552	1	<b>Coral Blue Control Door Assembly</b> (includes illus. nos. 2 and 3)
3	117604	3	<b>Noise Suppression Tape (sold by the foot)</b>
4	150317	2	<b>#10-16 x 3/4" TORX + Screw</b>
	150318	1	<b>25 IP TORX + Bit (for removal of TORX head screw)</b>
5	102603	1	<b>Control Door Rod Support Catch</b>
6	102601	1	<b>Control Door Rod Retainer Clip</b>
7	102502	1	<b>Control Door Support Rod</b>
8	150321	2	<b>#10-32 x 1/2" Phillips Machine Screw</b>
9	154011	2	<b>#10-32 Multi-Thread U-Nut</b>



<u>Illus. No.</u>	<u>Part No.</u>	<u>Qty.</u>	<u>Description</u>
1	112571	1	Phase 7 OPL Keyboard
2	850984	1	Phase 7 OPL Microprocessor Panel ONLY
	883748	1	Phase 7 OPL Microprocessor Control Panel Assembly Complete (includes illus. nos. 1 through 7)
3	883745	1	Phase 7 OPL Microprocessor
4	150005	2	#6-32 x 3/4" Phillips Round Head Machine Screw
5	153010	2	#6 Star Washer
6	136016	1	5-Amp Fuse
7	136097	1	500 mA Fuse

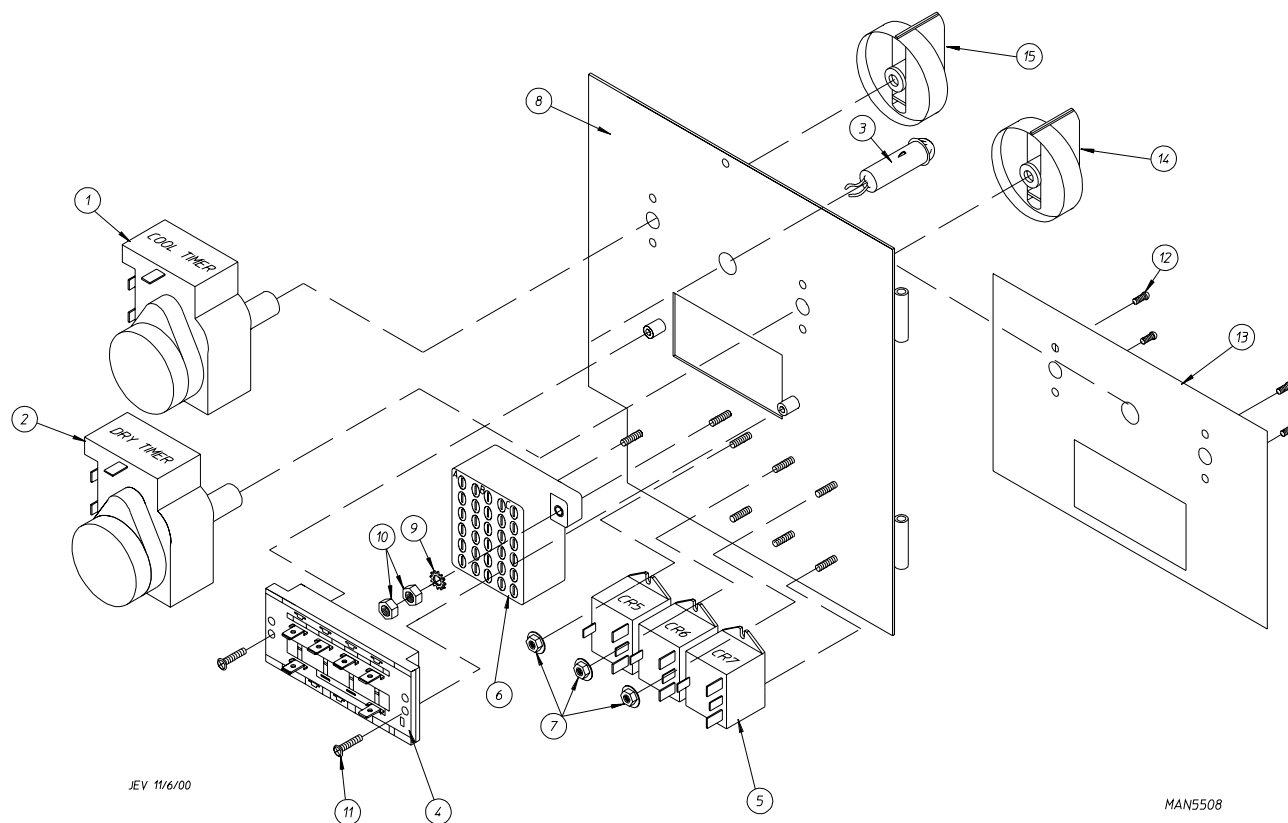


JCARRITA 3/12/02

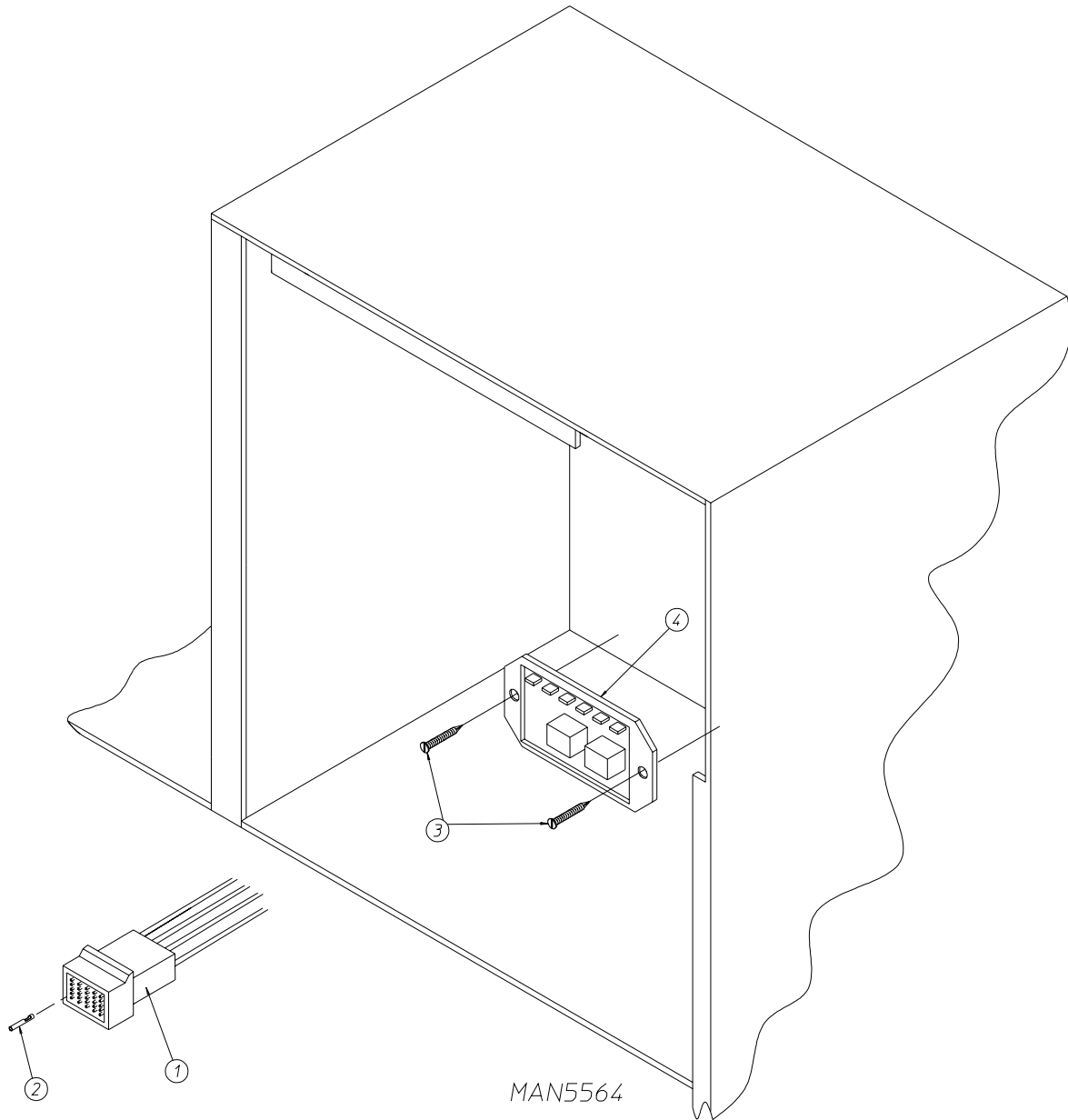
<u>Illus. No.</u>	<u>Part No.</u>	<u>Qty.</u>	<u>Description</u>
1	122681	1	10-Pin Connector
2	122676	1	8-Pin Connector
3	122646	1	2-Pin Connector
4	122683	1	6-Pin Connector
5	122640	1	9-Pin Connector
6	122706	*	#20-16 Socket
7	122669	*	Female Crimp Terminal

\* As needed.





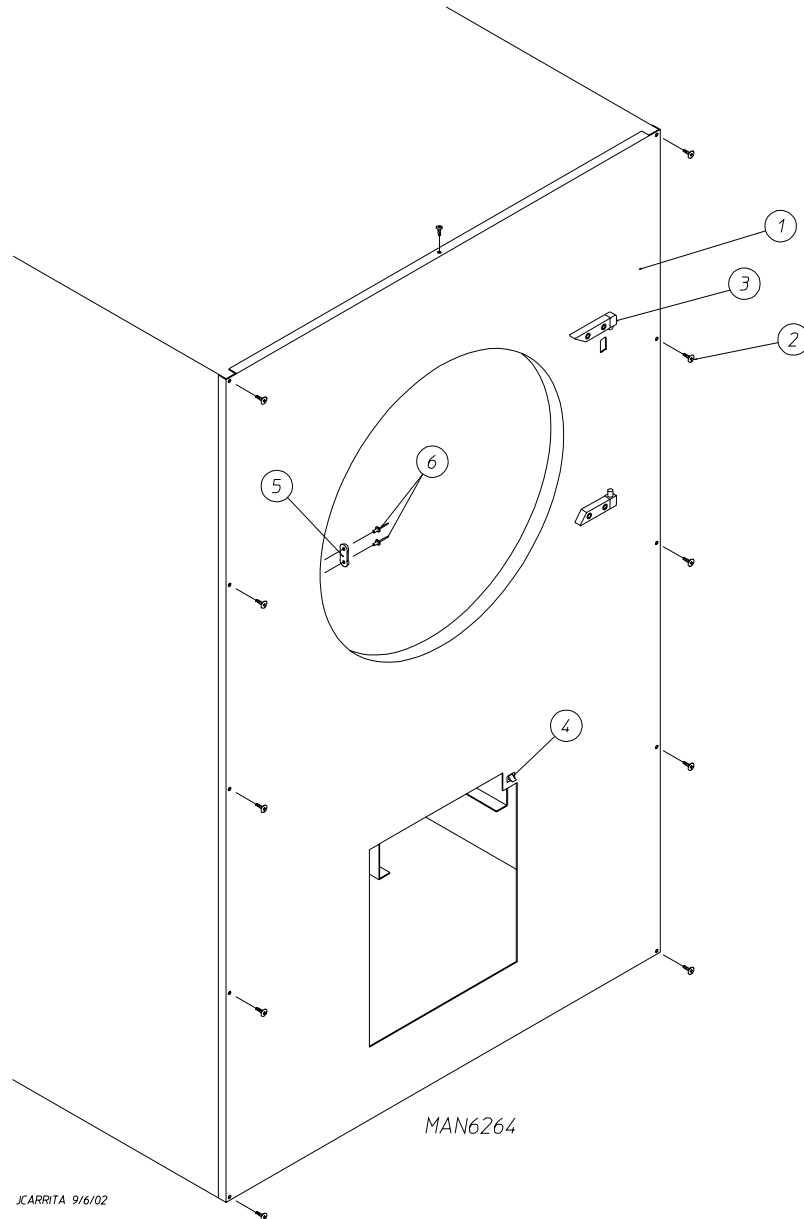
<u>Illus. No.</u>	<u>Part No.</u>	<u>Qty.</u>	<u>Description</u>
1	824298	1	15 Minute Timer - 24 VAC
2	824299	1	60 Minute Timer - 24 VAC
3	824175	1	Red Pilot Light - 24 VAC
4	122301	1	"Tap Touch" Switch
5	131932	3	Relay SPST 24v
6	120730	1	30-Position Terminal Block
7	151000	6	#6-32 Pal Nut
8	882903	1	Dual Timer Panel Complete (includes illus. nos. 1 through 15)
	850392	-	Dual Timer Panel ONLY
9	153010	2	#6 Star Washer
10	152000	2	#6-32 Hex Nut
11	150108	2	#8-32 x 1/2" Phillips Pan Head Machine Screw
12	150110	4	#8-32 x 1/4" Phillips Round Head Machine Screw
13	112563	1	Dual Timer Panel Overlay
14	124104	1	Pure Touch Knob with Red Pointer
15	124105	1	Pure Touch Knob with Blue Pointer



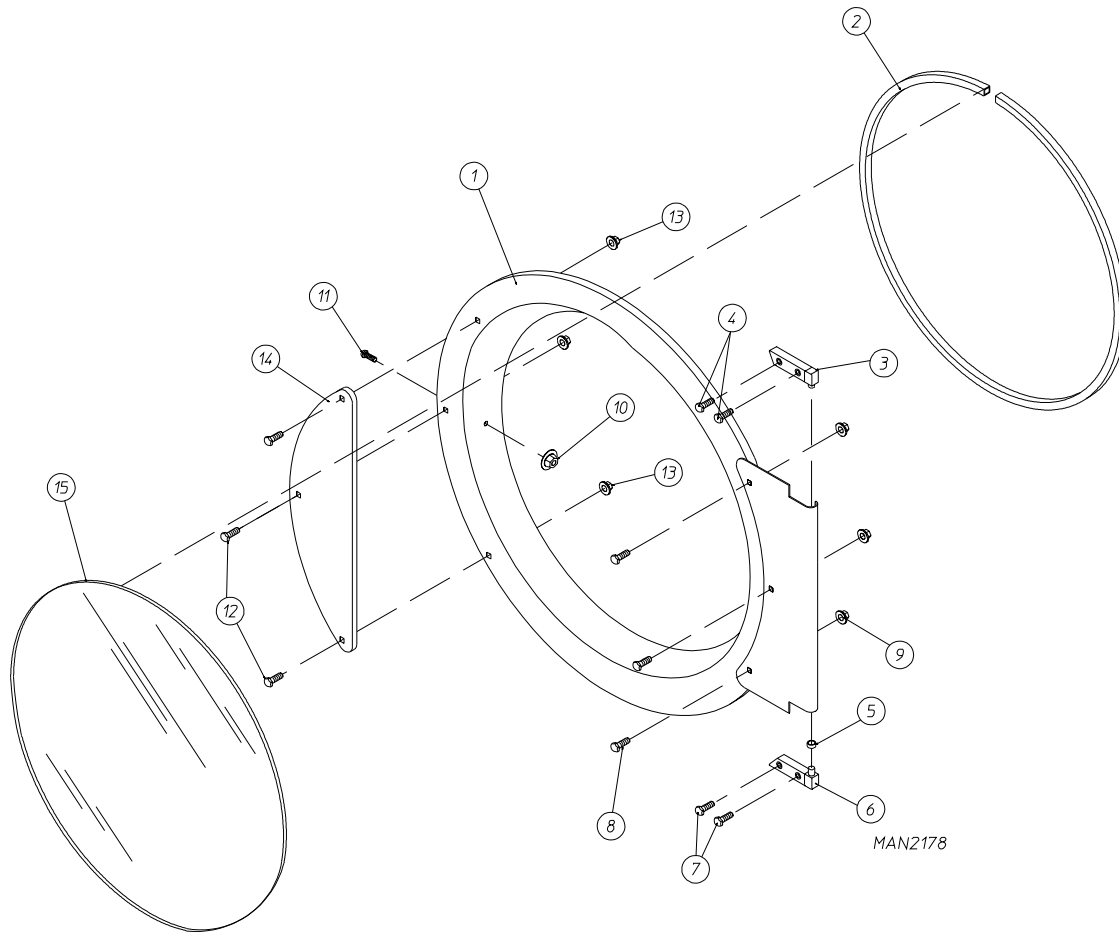
JCARRITA 12/26/00

<u>Illus. No.</u>	<u>Part No.</u>	<u>Qty.</u>	<u>Description</u>
1	122641	1	15-Pin Connector
2	122706	*	Socket Terminal
	122801	1	Pin/Socket Extraction Tool...Not Illustrated
3	150301	2	#8-18 x 7/16" Phillips Pan Head TEK Screw
4	132198	1	Reversing Timer 24v (for reversing dual timer models Only)

\* As required.

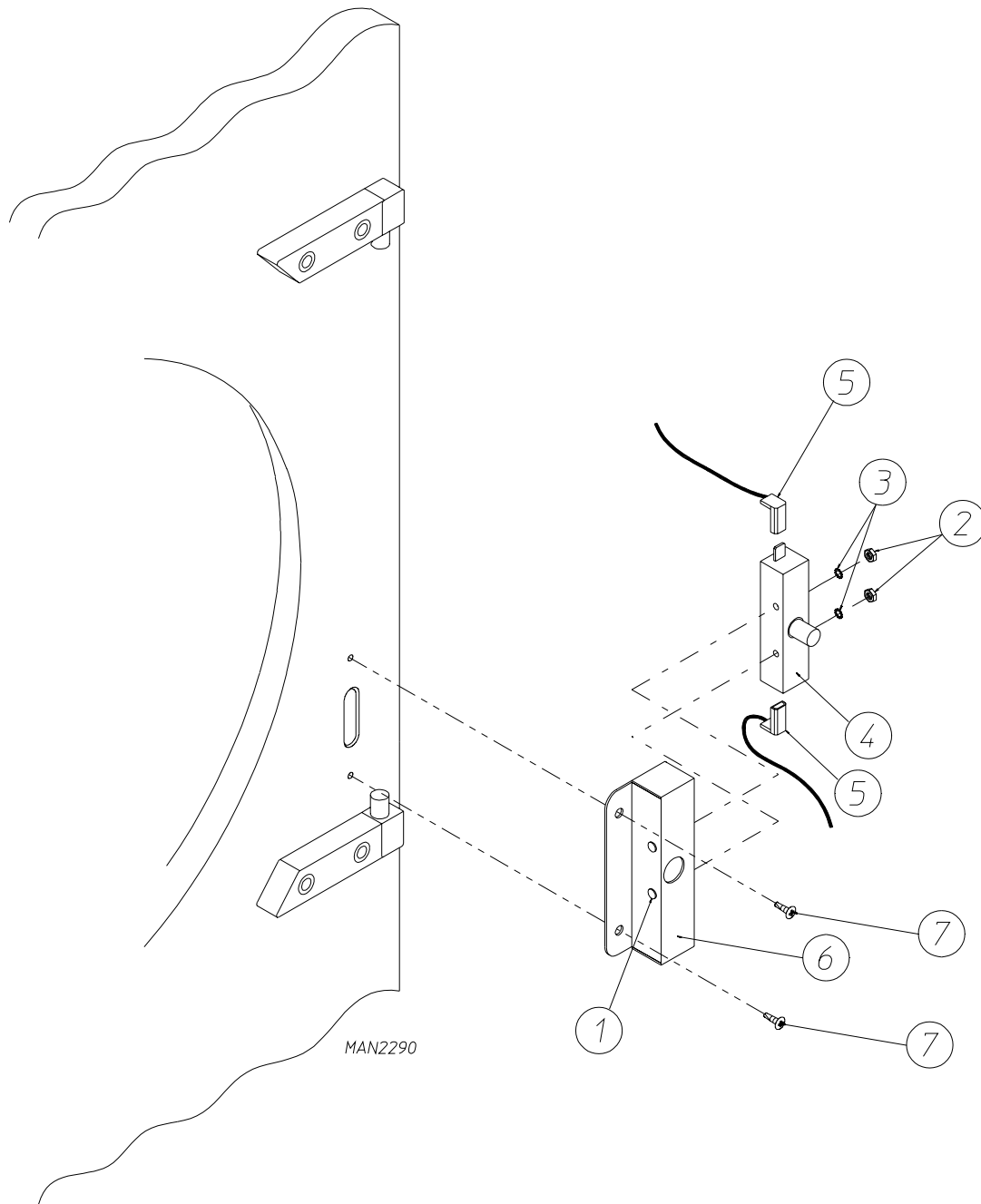


<u>Illus. No.</u>	<u>Part No.</u>	<u>Qty.</u>	<u>Description</u>
1	883567	1	White Front Panel Assembly (includes illus. nos. 1, 5 and 6)
	883568	1	Ivory Front Panel Assembly (includes illus. nos. 1, 5 and 6)
	883569	1	Coral Blue Front Panel Assembly (includes illus. nos. 1, 5 and 6)
2	150313	11	#10-16 x 1/2" TORX + Screw
	150318	1	25 IP TORX + Bit (for removal of TORX head screw)
3	-----	1	Main Door Hinge (refer to <b>Main Door "Steel" Assembly</b> on <a href="#">page 10</a> )
4	122002	1	Lint Drawer Switch
5	170330	1	Friction Door Latch
6	154215	2	5/32" Pop Rivet

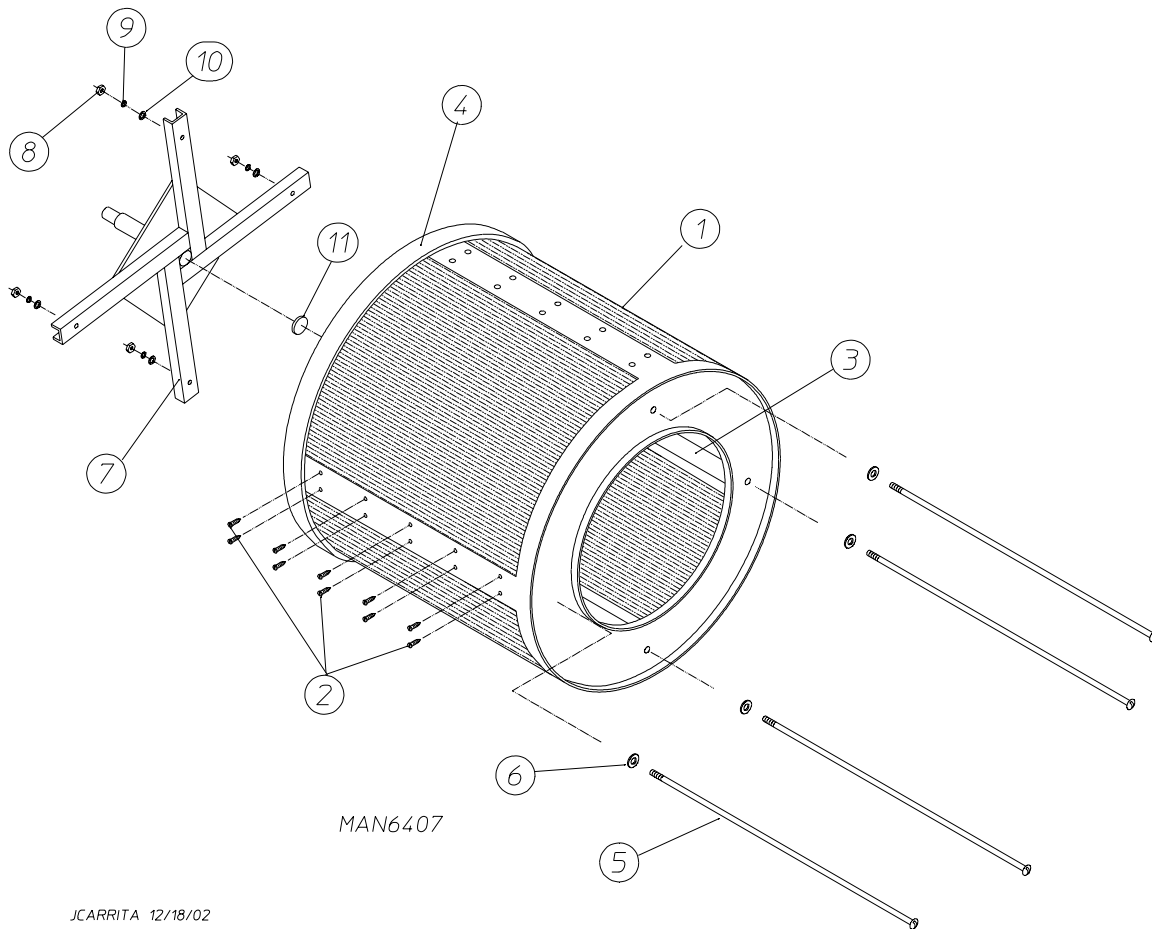


MAN2178

<u>Illus. No.</u>	<u>Part No.</u>	<u>Qty.</u>	<u>Description</u>
1	881150	1	Black Main Door Assembly Complete (includes illus. nos. 1, 2, and 8 through 15)
2	102354	1	Door Gasket
	170731	1	Black Gasket Adhesive (10.3 oz. cartridge)
3	881152	1	Black Top Hinge Block Assembly (includes illus. nos. 3 and 4)
4	150445	2	1/4-20 x 3/4" Black Cap Head Screw
5	153031	1	1/4" Nylon Washer
6	881151	1	Black Bottom Hinge Block Assembly (includes illus. nos. 5 through 7)
7	150445	2	1/4-20 x 3/4" Black Cap Head Screw
8	150683	3	1/4-20 x 5/8" Black Carriage Bolt
9	152014	3	1/4-20 Free Spin Wash Nut
10	151010	1	#10-32 Black Hex Acorn Nut
11	150125	1	Door Latch Screw
12	150683	3	1/4-20 x 5/8" Black Carriage Bolt
13	152014	3	1/4-20 Free Spin Wash Nut
14	881210	1	Black Main Door Handle
15	102211	1	20-7/16" Door Glass
	170731	1	Black Glass Adhesive (10.3 oz. cartridge)



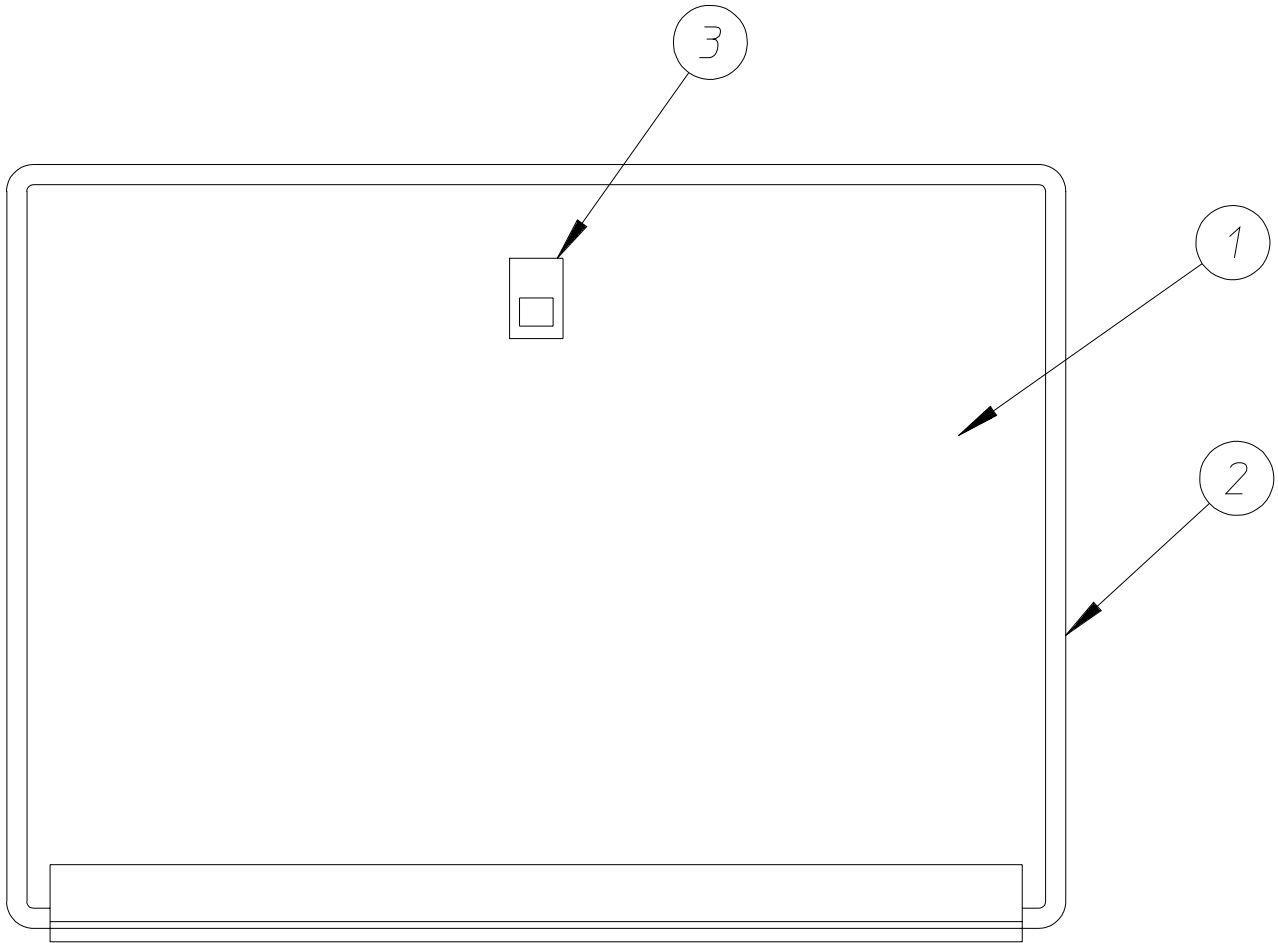
<u>Illus. No.</u>	<u>Part No.</u>	<u>Qty.</u>	<u>Description</u>
1	150006	2	#6-32 x 7/8" Phillips Pan Head Machine Screw
2	152013	2	#6-32 Hex Nut
3	153010	2	#6 Star Washer
4	137005	1	Door Switch
5	122636	2	Flag Terminal
6	881211	1	Black Main Door Switch Housing ONLY (includes illus. nos. 1 and 6)
	881153	1	Black Main Door Switch Housing Complete (includes illus. nos. 1 through 4 and 6)
7	150301	2	#8-18 x 7/16" Phillips Pan Head TEK Screw



JCARRITA 12/18/02

<u>Illus. No.</u>	<u>Part No.</u>	<u>Qty.</u>	<u>Description</u>
1*	800702	1	Galvanized Basket (tumbler) ONLY (includes illus. nos. 1 through 3)
	817085	1	Galvanized Basket (tumbler)/Support Assemblies Complete (includes illus. nos. 1 through 3 and 5 through 11)
	800731	1	Stainless Steel Basket (tumbler) ONLY (includes illus. nos. 1 through 3)
	800752	1	Stainless Steel Basket (tumbler)/Support Assemblies Complete (includes illus. nos. 1 through 3 and 5 through 11)
2	150313	24	#10-16 x 1/2" TORX Crimptite Screw
3	301305	4	Galvanized Basket (tumbler) Rib
	301420	4	Stainless Steel Basket (tumbler) Rib
4	116002	1	Felt Collar
5	100914	4	3/8-18 x 20" Tie Rod
6	153004	4	3/8" Flat Washer
7	817084	1	Basket (tumbler) Support
8	152027	4	3/8-16 Lock Nut
9	153005	4	3/8" Lock Washer
10	153004	4	3/8" Flat Washer
11	115986	1	1/4" x 2" Felt Basket (tumbler) Pad
	401010	1	#847 Adhesive for Felt Collar (5.0 oz. tube)...Not Illustrated

\* Felt collar is not included and **must be** ordered separately.



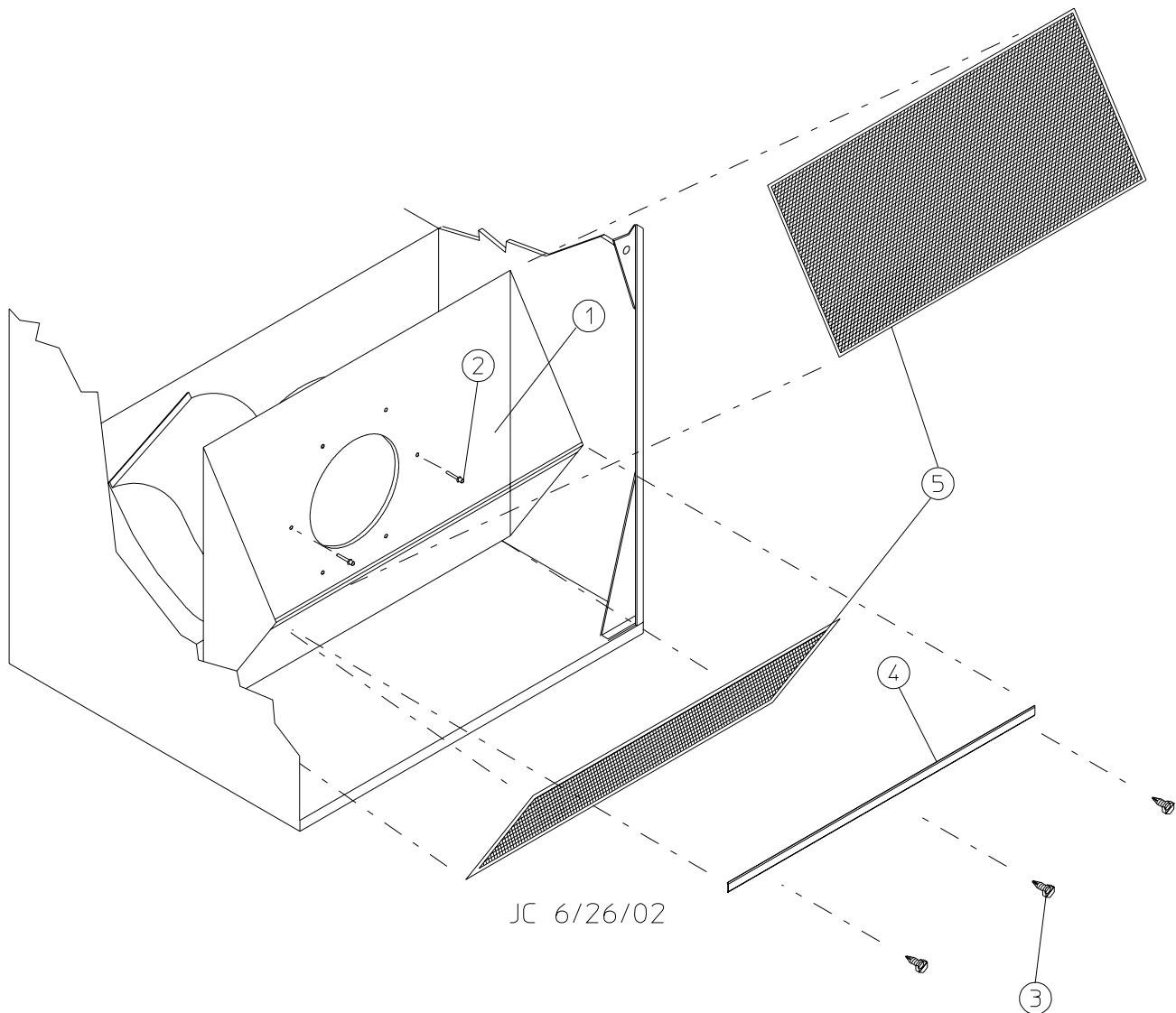
ST 12/11/01

MAN6030

---

<u>Illus. No.</u>	<u>Part No.</u>	<u>Qty.</u>	<u>Description</u>
1	802277	1	Drop Lint Door (includes illus. nos. 1 through 3)
2	117604	5	Noise Suppression Tape (sold by the foot)
3	170226	1	Slide Latch

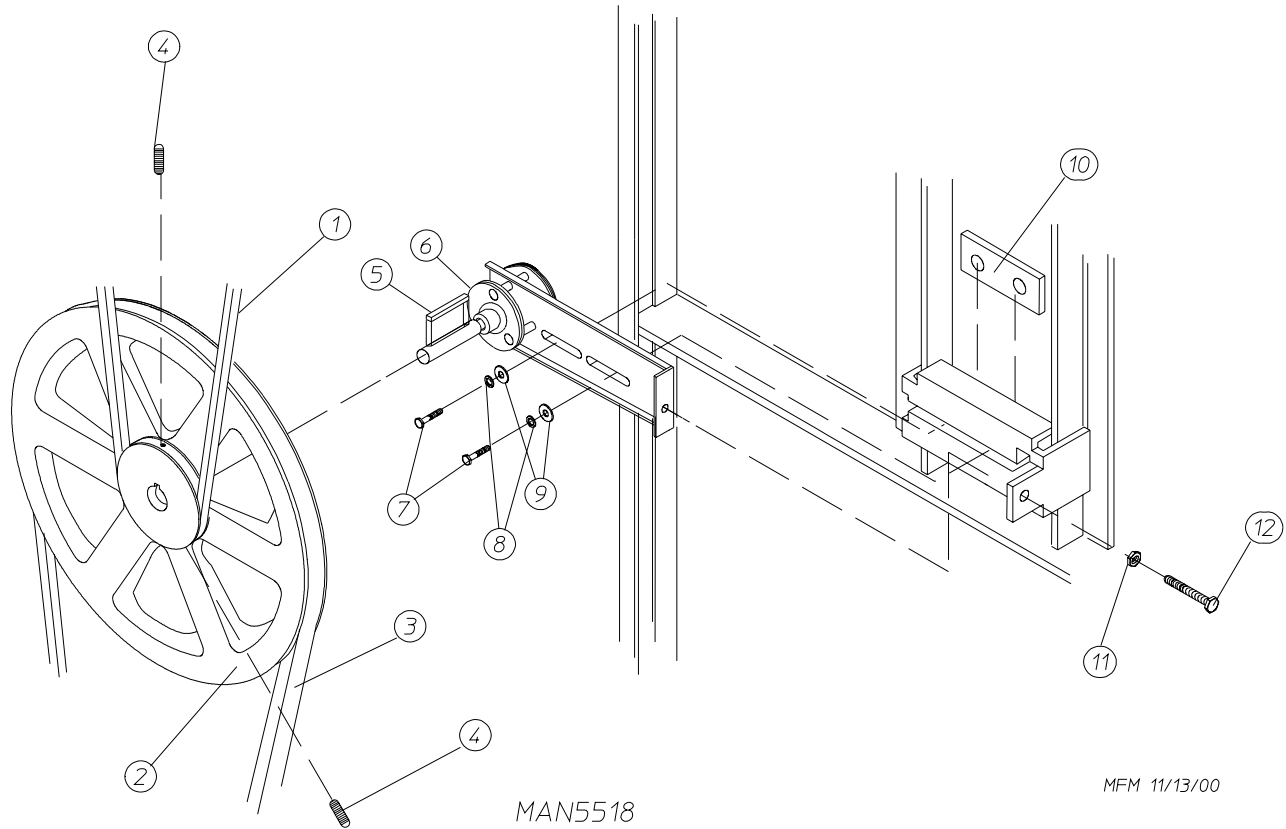
---



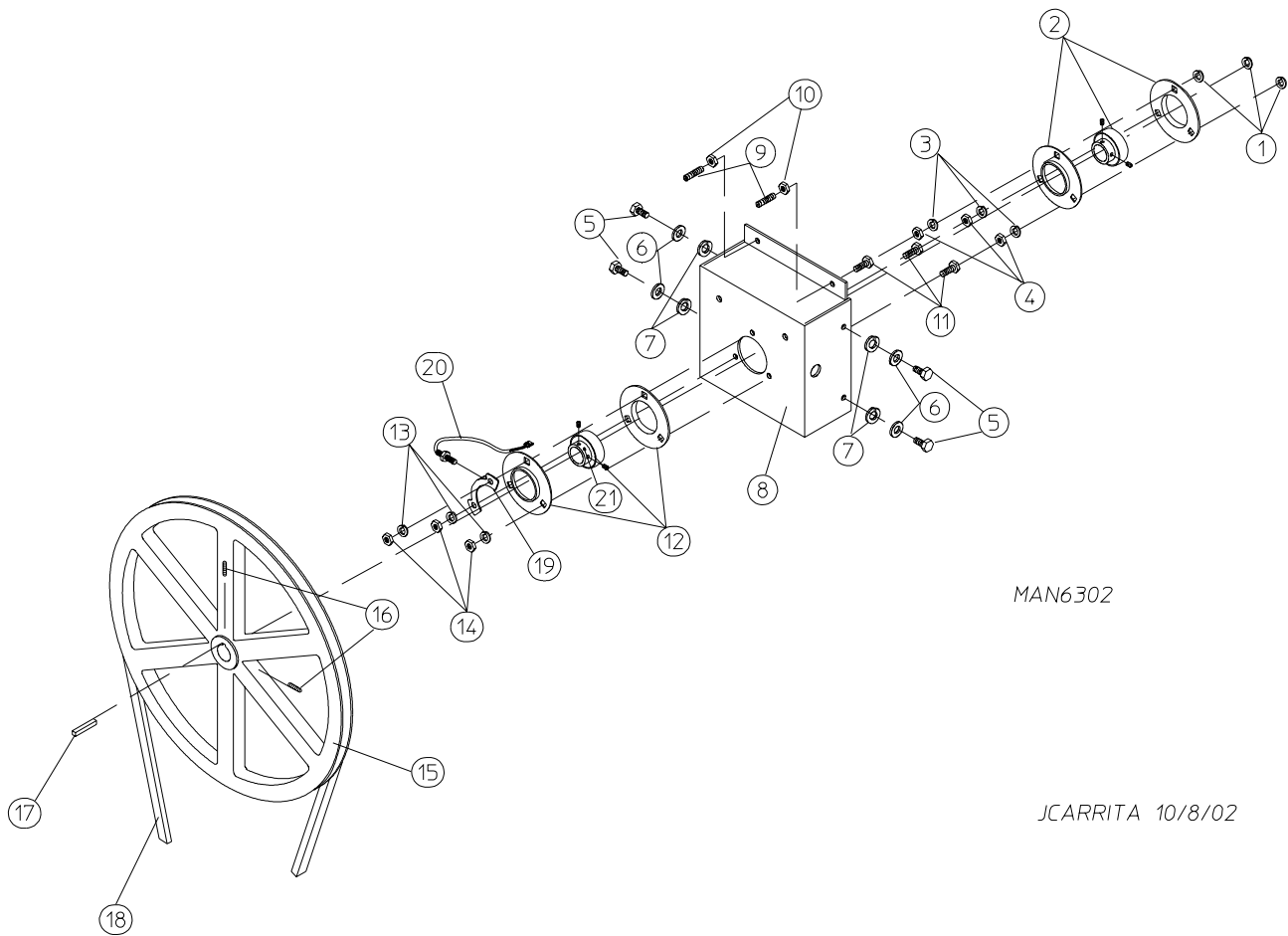
MAN6192

<u>Illus. No.</u>	<u>Part No.</u>	<u>Qty.</u>	<u>Description</u>
1	801070	1	Lint Trap Assembly Complete for 60 Hz Models ONLY (includes illus. nos. 1 and 3 through 5)
	800401	1	Lint Trap Assembly Complete for 50 Hz Models ONLY (includes illus. nos. 1 and 3 through 5)
	801069	1	Lint Trap ONLY (for 60 hz models Only)
	800443	1	Lint Trap ONLY (for 50 hz models Only)
2	154200	6	5/32" Pop Rivet
3	150300	3	#10-16 x 1/2" Hex Washer TEK Screw
4	304100	1	Lint Screen Holder
5	800500	2	Lint Screen Assembly





<u>Illus. No.</u>	<u>Part No.</u>	<u>Qty.</u>	<u>Description</u>
1	100107	1	5L-670 V-Belt (basket [tumbler] to idler) (for non-reversing models Only)
	100108	1	5L-680 V-Belt (basket [tumbler] to idler) (for reversing models Only)
2	101129	1	9" x 2-1/2" Compound Pulley
3	100103	1	4L-510 V-Belt (for non-reversing models Only)
	100112	1	4L-610 V-Belt (for reversing models Only)
4	154301	2	5/16-18 x 1" Allen Setscrew
5	100705	1	3/16" x 3/16" x 1-3/8" Key
6	882576	1	Idler Bearing Assembly Complete (includes illus. nos. 5 through 12)
7	150617	2	3/8-16 x 1" Hex Head Machine Bolt
8	153005	2	3/8" Lock Washer
9	153004	2	3/8" Flat Washer
10	801009	1	Idler Square Washer
11	152004	1	5/16-18 Hex Nut
12	150509	1	5/16-18 x 3" Hex Head Machine Bolt

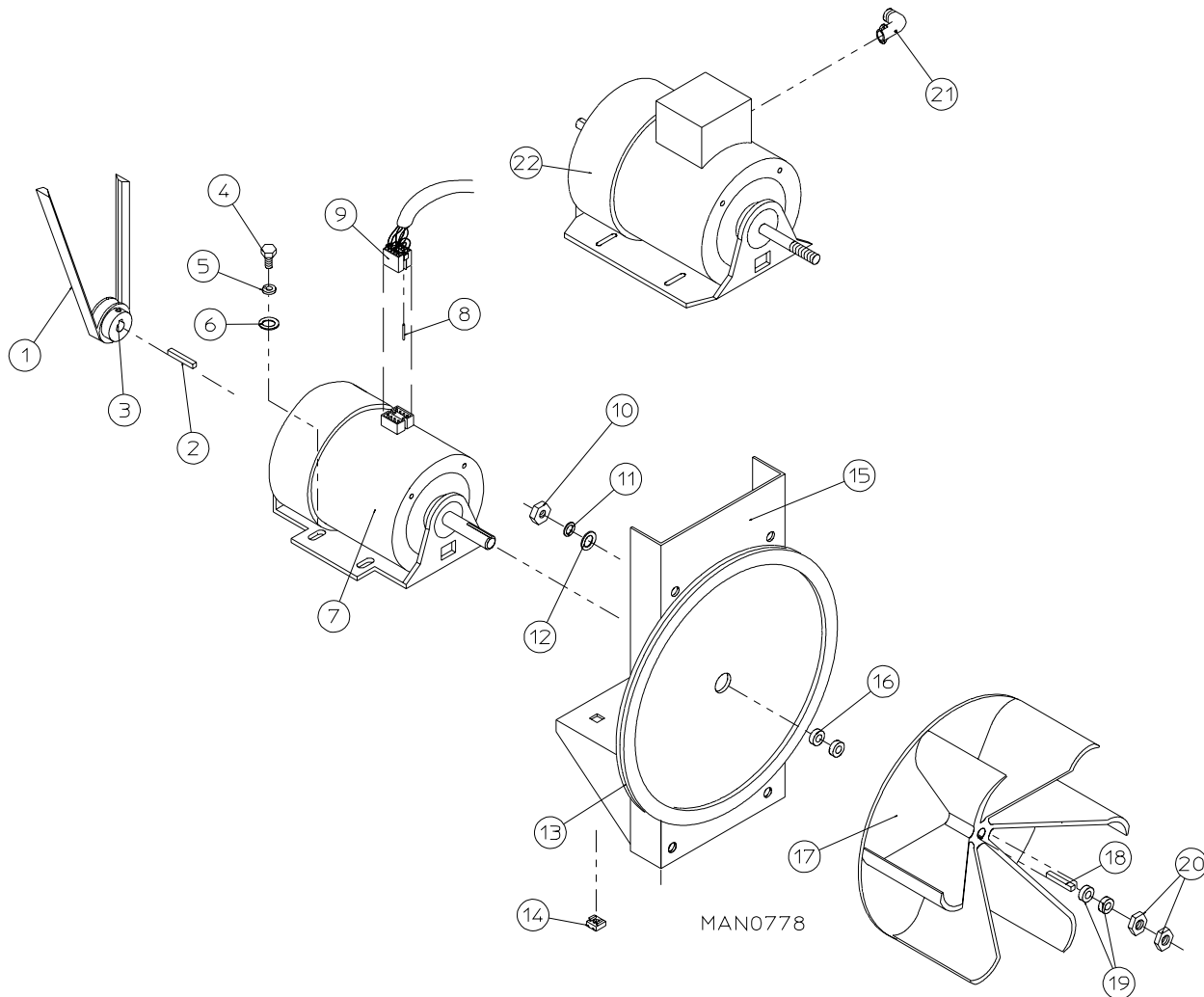


MAN6302

JCARRITA 10/8/02

---

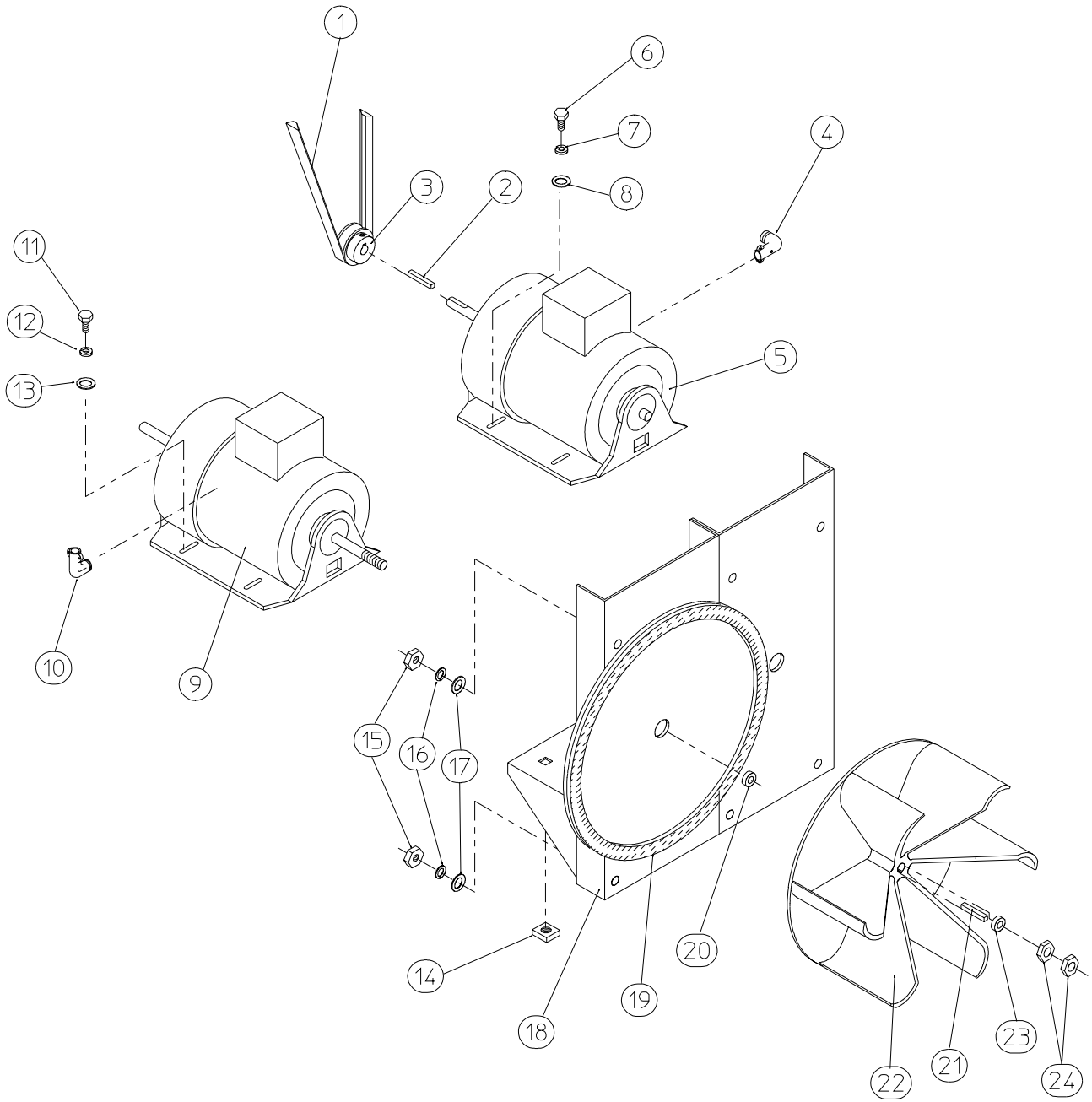
<u>Illus. No.</u>	<u>Part No.</u>	<u>Qty.</u>	<u>Description</u>
1	153002	3	5/16" Lock Washer
2	880213	1	1-1/4" Flange Bearing with Nylock Setscrew
3	153002	3	5/16" Lock Washer
4	152004	3	5/16-18 Hex Nut
5	150501	4	5/16-18 x 3/4" Hex Head Machine Bolt
6	153002	4	5/16" Lock Washer
7	153004	4	3/8" Flat Washer
8	883609	1	1" Bearing Box Assembly Complete for Phase 7 Models ONLY (includes illus. nos. 8 through 14 and 19 through 21)
	801100	1	1" Bearing Box Assembly Complete for Dual Timer Models ONLY (includes illus. nos. 8 through 14)
	801105	1	Bearing Box ONLY
9	150610	2	5/16-18 x 1-1/2" Allen Setscrew
10	152004	2	5/16-18 Hex Nut
11	150501	3	5/16-18 x 3/4" Hex Head Machine Bolt
12	880201	1	1" Flange Bearing with Nylock Setscrew
13	153002	3	5/16" Lock Washer
14	152004	3	5/16-18 Hex Nut
15	101100	1	18" Pulley ONLY
16	154301	2	5/16-18 x 5/16" Setscrew
17	100713	1	1/4" x 1/4" x 7/8" Key
18	100107	1	5L-670 V-Belt (basket [tumbler] to idler) for Non-Reversing Models ONLY
	100108	1	5L-680 V-Belt (basket [tumbler] to idler) for Reversing Models ONLY
19	319004	1	Rotational Sensor Bracket (for phase 7 models Only)
20	883386	1	Rotational Sensor Assembly (for phase 7 models Only)
21	102120	1	Rotational Sensor Magnet (for phase 7 models Only)



<u>Illus. No.</u>	<u>Part No.</u>	<u>Qty.</u>	<u>Description</u>
1	100103	1	4L-510 V-Belt (motor to idler)
2	100701	1	3/16" x 3/16" x 1" Key
3	101104	1	1/2" x 2" Motor Pulley (for use on 1 $\phi$ - 60 Hz motors Only)
	101132	1	5/8" x 2" Motor Pulley (for use on 3 $\phi$ - 60 Hz motors Only)
	101133	1	5/8" x 2-1/4" Motor Pulley (for use on <b>ALL</b> 50 hz 3 $\phi$ and 1 $\phi$ 50 Hz models mfd. prior to August 22, 2002)
	101131	1	1/2" x 2-1/4" Motor Pulley (for use on 1 $\phi$ 50 hz models mfd. as of August 22, 2002)
4	150501	4	5/16-18 x 3/4" Hex Head Machine Bolt
	153002	4	5/16" Lock Washer
	153001	4	5/16" Flat Washer
7	181049	1	1/2 HP 100-230v 1 $\phi$ 50/60 Hz Plug-Type Motor
	883572	1	1/2 HP 240v 1 $\phi$ 50 Hz Plug-Type Motor (for 50 hz models mfd. prior to August 22, 2002)
8	122701	8	Socket Terminal
	122801	1	Pin/Socket Extraction Tool...Not Illustrated

<u>Illus. No.</u>	<u>Part No.</u>	<u>Qty.</u>	<u>Description</u>
9	137030	1	8-Pin Housing Connector
10	152004	4	5/16-18 Hex Nut
11	153002	4	5/16" Lock Washer
12	153001	4	5/16" Flat Washer
13	117604	4	Noise Suppression Tape (sold by the foot)
14	154000	4	5/16-18 Nut
15	850017	1	1/2 HP Motor Mount ONLY (56Z frame) (includes illus. nos. 13 and 15)
	817075	1	1/2 HP 115-230v 1 $\phi$ 60 Hz Motor Mount Assembly Complete with Plug Motor (includes illus. nos. 2 through 7 and 13 through 20)
	817076	1	1/2 HP 240v 1 $\phi$ 50 Hz Motor Mount Assembly Complete with Plug Motor (includes illus. nos. 2 through 7 and 13 through 20)
	817080*	1	1/2 HP 208/230/380/460v 3 $\phi$ 60 Hz Totally Enclosed, Fan-Cooled (T.E.F.C.) Motor Mount Assembly Complete (includes illus. nos. 2 through 6 and 13 through 22)
	883271*	1	1/2 HP 208/230/380/460v 3 $\phi$ 50 Hz Totally Enclosed, Fan-Cooled (T.E.F.C.) Motor Mount Assembly Complete (includes illus. nos. 2 through 6 and 13 through 22)
16	153050	2	1/2" Flat Washer
17	100604	1	12-1/2" Impellor with 1/2" Bore
18	100702	1	1/8" x 1/8" x 1-1/2" Key
19	153050	2	1/2" Flat Washer
20	152006	2	1/2-20 Left Hand Jam Nut
21	120200	1	3/8" 90° Connector
22*	100007	1	1/2 HP 208/230/380/460v 3 $\phi$ 50/60 Hz Totally Enclosed, Fan-Cooled (T.E.F.C.) Motor (56Z frame)

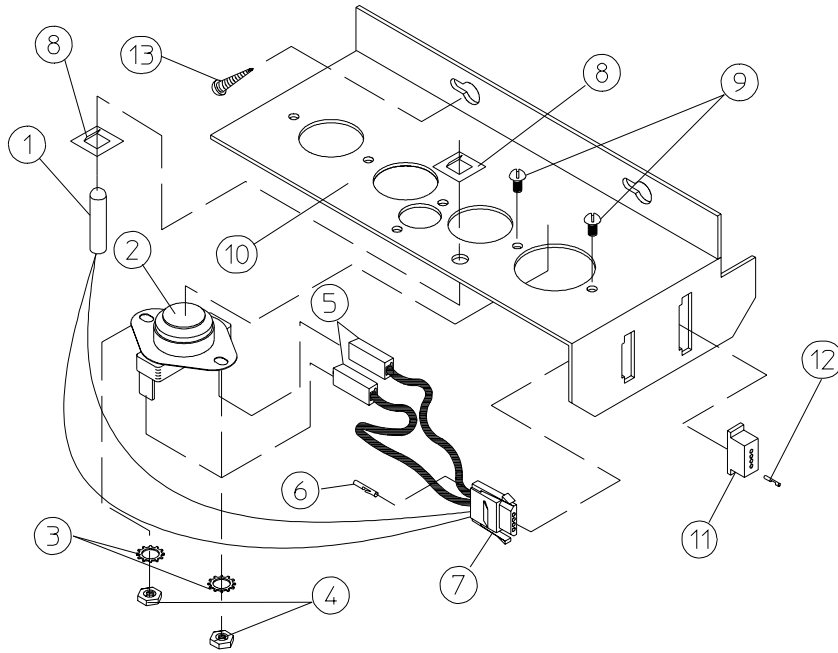
\* Specify voltage when ordering.



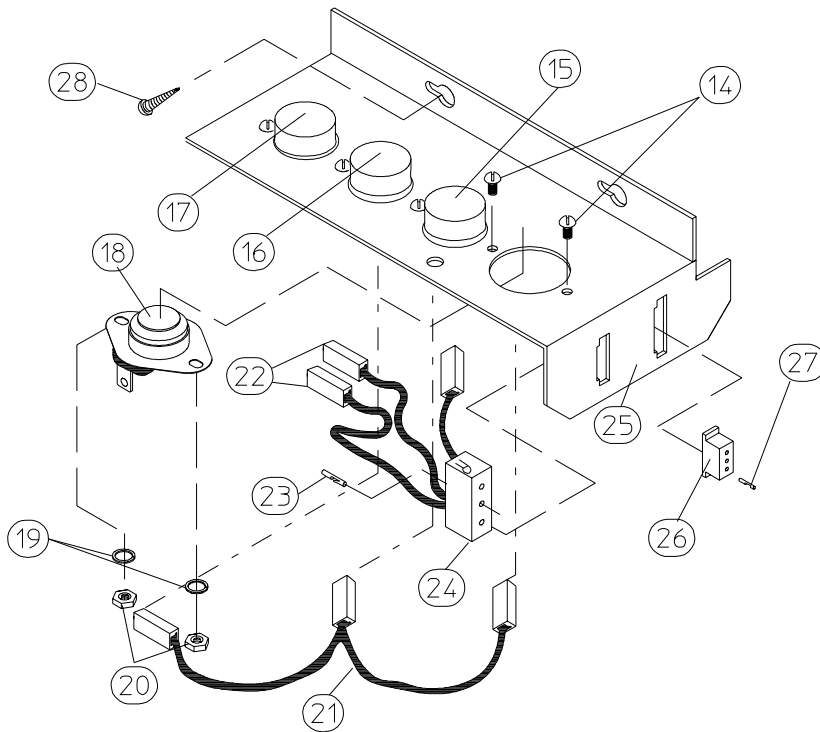
MAN1970

<u>Illus. No.</u>	<u>Part No.</u>	<u>Qty.</u>	<u>Description</u>
1	100112	1	4L-610 V-Belt (motor to idler)
2	100701	1	3/16" x 3/16" x 1" Key
3	101132	1	5/8" x 2" Motor Pulley (for 60 hz models Only)
	101133	1	5/8" x 2-1/4" Motor Pulley (for 50 hz models Only)
4	120200	1	3/8" x 90° Connector
5	181003*	1	1/2 HP 208/230/380/460v 3ø 50/60 Hz Motor (56Z frame)
6	150501	4	5/16-18 x 3/4" Hex Head Machine Bolt
7	153002	4	5/16" Lock Washer
8	153001	4	5/16" Flat Washer
9	100007*	1	1/2 HP 208/230/380/460v 3ø 50/60 Hz Totally Enclosed, Fan-Cooled (T.E.F.C.) Motor (56Z frame)
10	120200	1	3/8" x 90° Connector
11	150501	4	5/16-18 x 3/4" Hex Head Machine Bolt
12	153002	4	5/16" Lock Washer
13	153001	4	5/16" Flat Washer
14	154000	8	5/16" Nut
15	152004	4	5/16" Hex Nut
16	153002	4	5/16" Lock Washer
17	153001	4	5/16" Flat Washer
18	850070	1	Motor Mount ONLY (56Z frame) (includes illus. nos. 18 and 19)
	803802*	1	Totally Enclosed, Fan-Cooled (T.E.F.C.) Motor Mount Assembly Complete (for 60 hz models Only) (includes illus. nos. 2 through 14 and 18 through 24)
	803803*	1	Totally Enclosed, Fan-Cooled (T.E.F.C.) Motor Mount Assembly Complete (for 50 hz models Only) (includes illus. nos. 2 through 14 and 18 through 24)
19	117604	4	Noise Suppression Tape (sold by the foot)
20	153050	2	1/2" Flat Washer
21	100702	1	1/8" x 1/8" x 1-1/2" Key
22	100604	1	12-1/2" Impellor with 1/2" Bore
23	153050	2	1/2" Flat Washer
24	152006	2	1/2-20 Left Hand Jam Nut

\* Specify voltage when ordering.



MICROPROCESSOR SENSOR BRACKET ASSEMBLY

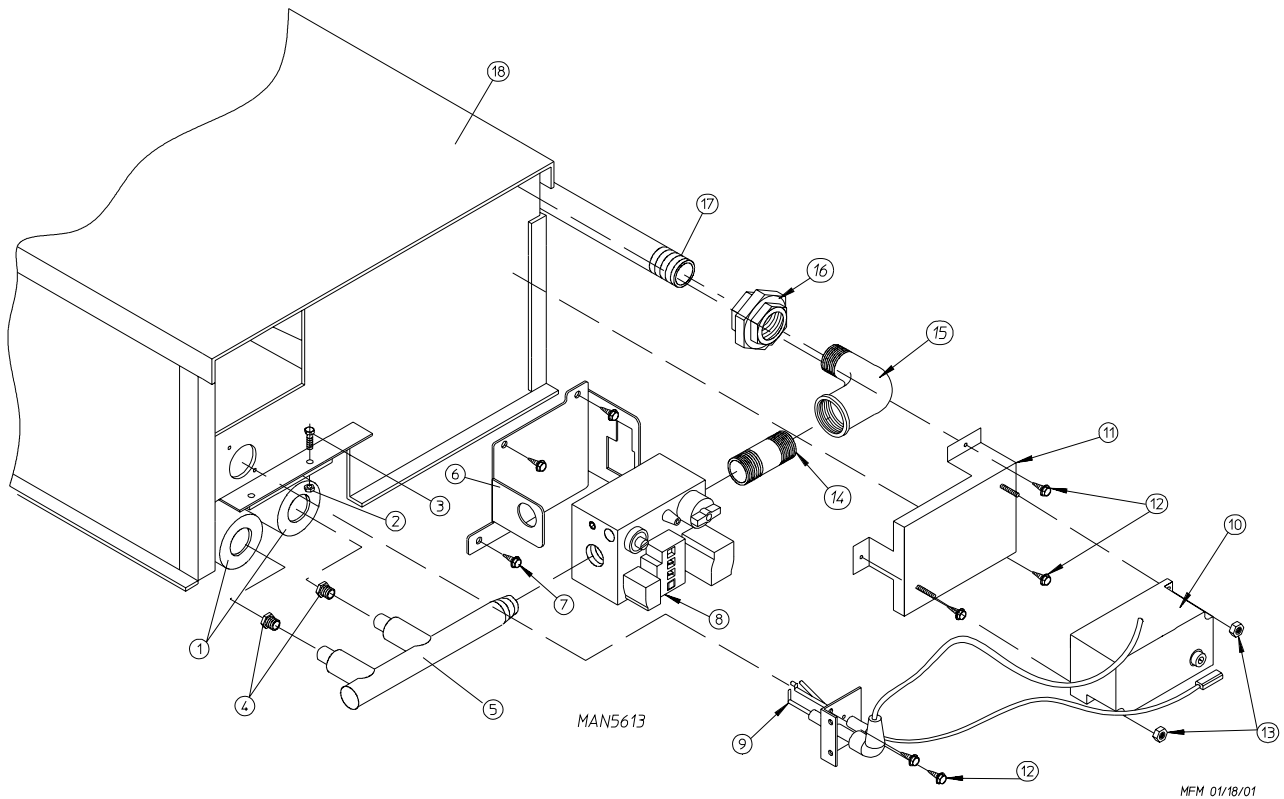


MAN0238

NON-COMPUTER SENSOR BRACKET ASSEMBLY



<u>Illus. No.</u>	<u>Part No.</u>	<u>Qty.</u>	<u>Description</u>
1	880251	1	1/4" Temperature Sensor Probe Assembly (includes illus. nos. 1 and 5 through 8)
2	130301	1	225° Hi-Limit Thermostat
3	153010	2	#6 Star Washer
4	152000	2	#6-32 Hex Nut
5	121028	2	Insulated Terminal
6	122701	4	Socket Terminal
7	122605	1	4-Pin Connector (female)
8	154007	2	1/4" Push On Fastener
9	150005	2	#6-32 x 1/4" Phillips Round Head Machine Screw
10	801424	1	Microprocessor Sensor Bracket Assembly Complete (includes illus. nos. 1 through 10)
	305007	1	Universal Sensor Bracket ONLY
11	122604	1	4-Pin Connector (male)
12	122700	4	Pin Terminal
13	150301	2	#8-18 x 7/16" Phillips Pan Head TEK Screw
14	150005	5	#6-32 x 1/4" Phillips Round Head Machine Screw
15	130111	1	130° Thermostat
16	130100	1	150° Thermostat
17	130103	1	225° Hi-Limit Thermostat
18	130101	1	180° Thermostat
19	153010	5	#6 Star Washer
20	152000	5	#6-32 Hex Nut
21	840065	1	Sensor Jumper
22	121028	8	Insulated Terminal
23	122701	4	Socket Terminal
24	122605	1	4-Pin Connector (female)
	818007	1	Sensor Bracket Harness Assembly (includes illus. nos. 21 through 24)
25	818321	1	Noncomputer Sensor Bracket Assembly Complete (includes illus. nos. 14 through 25)
	305007	1	Universal Sensor Bracket ONLY
26	122604	1	4-Pin Connector (male)
27	122700	4	Pin Terminal
	122801	1	Pin/Socket Extraction Tool...Not Illustrated
28	150301	2	#8-18 x 7/16" Phillips Pan Head TEK Screw



<u>Illus. No.</u>	<u>Part No.</u>	<u>Qty.</u>	<u>Description</u>
1	141104	2	Small Tube Burner
2	151001	2	#8-32 Pal Nut
3	150108	2	#8-32 x 1/2" Phillips Pan Head Machine Screw
4	140818*	2	#31 Orifice (natural gas)
	140802*	2	#50 Orifice (liquid propane [L.P.] gas)
5	141230	1	1/2" Manifold (2-port)
6	318714	1	1-Piece Gas Valve Bracket
7	150309	3	#10-16 x 1/2" Hex Head TEK Crimptite Screw
8	128927	1	Natural Gas Valve
	880960	1	Liquid Propane (L.P.) Gas Valve
9	809307	1	Ignitor Probe Assembly with High Voltage (HV) Wire
10	801048	1	Direct Spark Ignition (DSI) Module (three [3] tries)
11	817027	1	Direct Spark Ignition (DSI) Module Mounting Bracket
12	150300	5	#10-16 x 1/2" Hex Washer TEK Screw
13	152013	2	#6-32 Hex Nut
14	142707	1	1/2" x 1-1/2" Long Black Nipple
15	142506	1	1/2" Street Elbow
16	142600	1	1/2" Black Union
17	142800	1	1/2" x 18" Pipe
18	817058**	1	Direct Spark Ignition (DSI) Burner Box Assembly - Natural Gas (includes illus. nos. 1 through 3 and 5 through 18)
	817059**	1	Direct Spark Ignition (DSI) Burner Box Assembly - Liquid Propane (L.P.) Gas (includes illus. nos. 1 through 3 and 5 through 18)
	817088	1	Direct Spark Ignition (DSI) Burner Box ONLY
	882267*	1	AD-25V Liquid Propane (L.P.) Conversion Kit (includes orifices)
	880604***	1	Steam to Gas Interface Assembly

\* Consult factory for elevations over 2,000 feet.

\*\* Burner orifices *are not included* and **must be** ordered separately.

\*\*\* Needed when converting steam heat to gas heat.



---

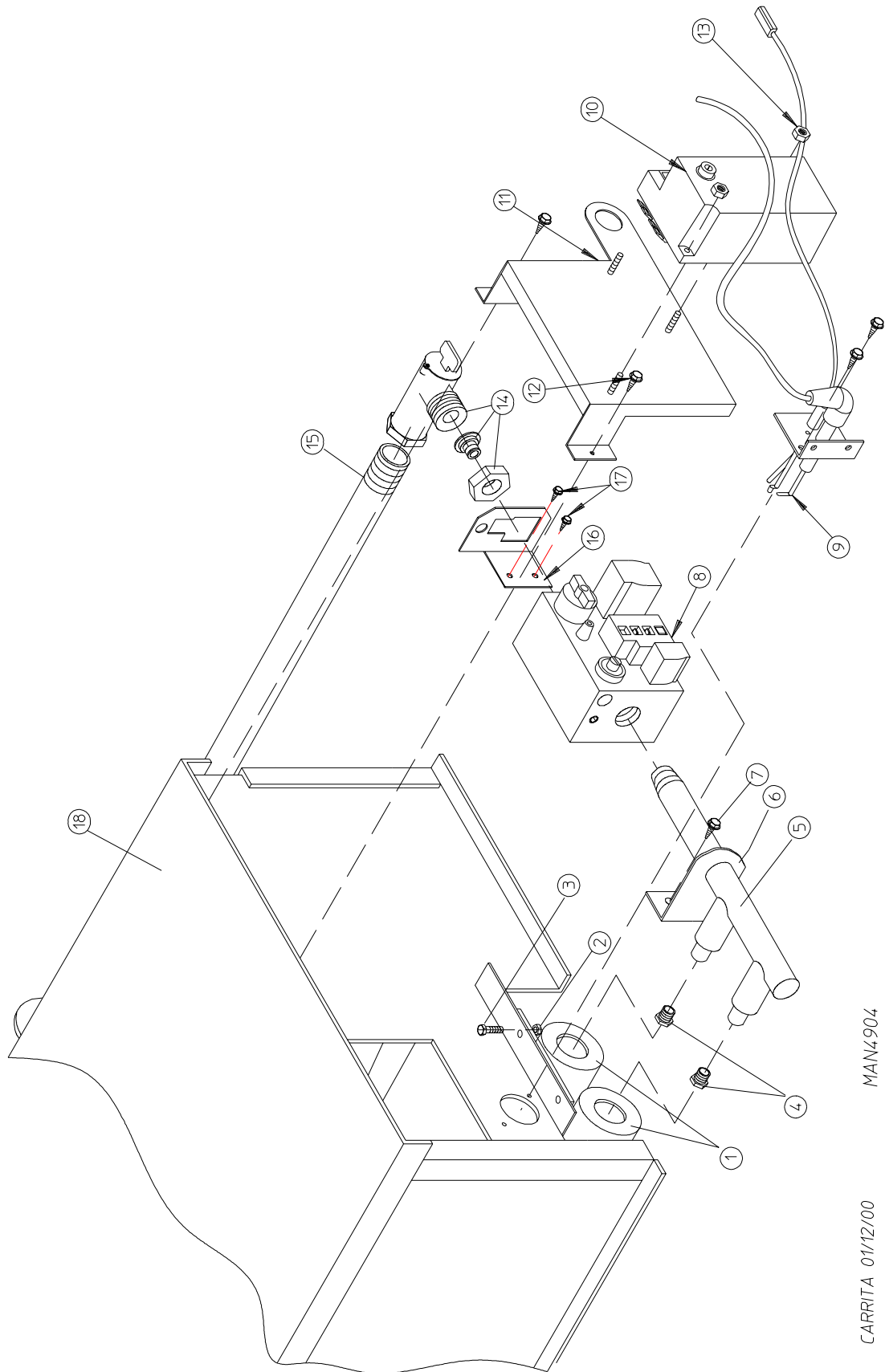
 For Models Mfd. as of August 27, 2002

<u>Illus. No.</u>	<u>Part No.</u>	<u>Qty.</u>	<u>Description</u>
1	817088	1	Direct Spark Ignition (DSI) Burner Box ONLY
	816998**	1	Natural Gas Burner Assembly (includes illus. nos. 1 through 8 and 10 through 31)
	883762**	1	Liquid Propane (L.P.) Gas Burner Assembly (includes illus. nos. 1 through 8 and 10 through 31)
	883297*	1	AD-25V Liquid Propane (L.P.) Conversion Kit
2	809307	1	Ignitor Probe Assembly with High Voltage (HV) Wire
3	152013	2	#6-32 Hex Nut
4	150309	2	#10-16 x 1/2" Hex Head TEK Crimptite Screw
5	141104	2	Small Tube Burner
6	150108	2	#8-32 x 1/2" Pan Head Machine Screw
7	128941	1	CE Direct Spark Ignition (DSI) Module Two (2) Tries
8	151001	2	#8-32 Pal Nut
9	140818*	2	#31 Burner Orifice (natural gas)
	140801*	2	#51 Burner Orifice (liquid propane [L.P.] gas)
10	141230	1	1/2" Manifold (2-port)
11	318700	1	Pipe Bracket (bent)
12	150300	2	#10-16 x 1/2" Hex Washer TEK Screw
13	128933	1	1/2" 24 VAC CE Gas Valve (natural gas)
	883255	1	1/2" 24 VAC CE Gas Valve (liquid propane [L.P.] gas)
14	141317	1	1/2" Bronze Union Elbow
15	142800	1	1/2" x 18" Pipe
16	318700	2	Pipe Bracket (bent)
17	150309	4	#10-16 x 1/2" Hex Head TEK Crimptite Screw
18	817027	1	Direct Spark Ignition (DSI) Module Mounting Bracket
19	142935	1	1/2" BSPT x 1/2" N.P.T. Transition Coupling
20	150005	2	#6-32 x 1/4" Round Head Machine Screw
21	154004	1	Twin Speed Nut
22	150300	7	#10-16 x 1/2" Hex Washer TEK Screw
23	802799	1	Sail Switch Top and Switch Bracket
24	150303	2	#4 x 3/4" Pan Head Machine Screw
25	122200	1	SPST Sail Switch (for OPL micro models Only)
	122404	1	SPDT Sail Switch (for dual timer models Only)
26	105500	1	Sail Switch Actuator Rod
27	319202	1	Sail Switch Damper (flat)
28	154002	1	1/8" Push On Fastener
29	130201	1	330° Hi-Limit Thermostat
30	319704	1	Hi-Limit Mounting Bracket
31	152013	2	#6-32 Hex Nut

\* Consult factory for elevations over 2,000 feet.

\*\* Burner orifices *are not included* and **must be** ordered separately.

For Models Mfd. prior to August 27, 2002



MAN#904

CARRITA 01/12/00

---

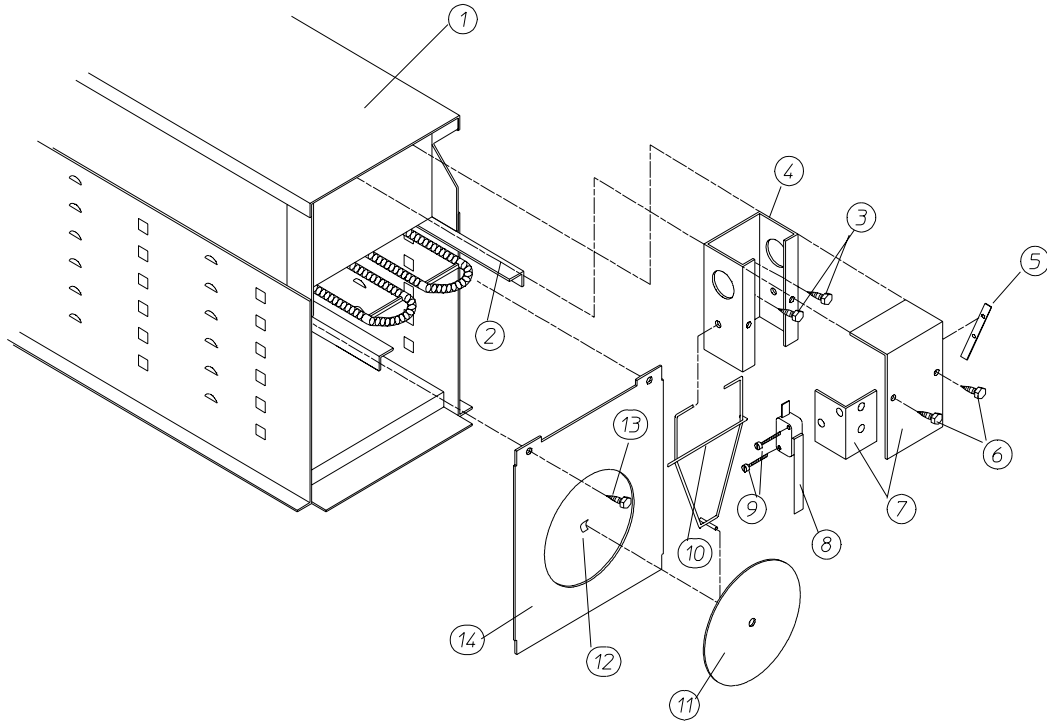
**For Models Mfd. prior to August 27, 2002**

<u>Illus. No.</u>	<u>Part No.</u>	<u>Qty.</u>	<u>Description</u>
1	141104	2	Small Tube Burner
2	151001	2	#8-32 Pal Nut
3	150108	2	#8-32 x 1/2" Pan Head Machine Screw
4*	140818	2	#31 Burner Orifice (natural gas)
	140801	2	#51 Burner Orifice (liquid propane [L.P.] gas)
5	141230	1	1/2" Manifold (2-port)
6	318700	2	Pipe Bracket (bent)
7	150300	2	#10-16 x 1/2" Hex Washer TEK Screw
8	128933	1	CE Natural Gas Valve
	883255	1	CE Liquid Propane (L.P.) Gas Valve
9	880134	1	Ignitor Probe Assembly with High Voltage (HV) Wire
	882537	1	Flame-Probe Wire
10	128941	1	CE Direct Spark Ignition (DSI) Module with Two (2) Tries
11	817027	1	Direct Spark Ignition (DSI) Module Mounting Bracket Assembly
12	150309	3	#10-16 x 1/2" Hex Head TEK Crimptite Screw
13	152013	2	#6-32 Hex Nut
14	141313	1	90° x 1/2" x 1" Gas Shut Off Assembly
15	142800	1	1/2" x 18" Pipe
16	318712	1	Gas Valve Bracket
17	150309	2	#10-16 x 1/2" Hex Head TEK Crimptite Screw
18	816998**	1	Direct Spark Ignition (DSI) Burner Box Assembly - Natural Gas (includes illus. nos. 1 through 3 and 5 through 18)
	883762**	1	Direct Spark Ignition (DSI) Burner Box Assembly - Liquid Propane (L.P.) Gas (includes illus. nos. 1 through 3 and 5 through 18)
	817088	1	Direct Spark Ignition (DSI) Burner Box ONLY
	883297*	1	AD-25V Liquid Propane (L.P.) Conversion Kit...Not Illustrated
***	882604	1	Steam to Gas Interface Assembly

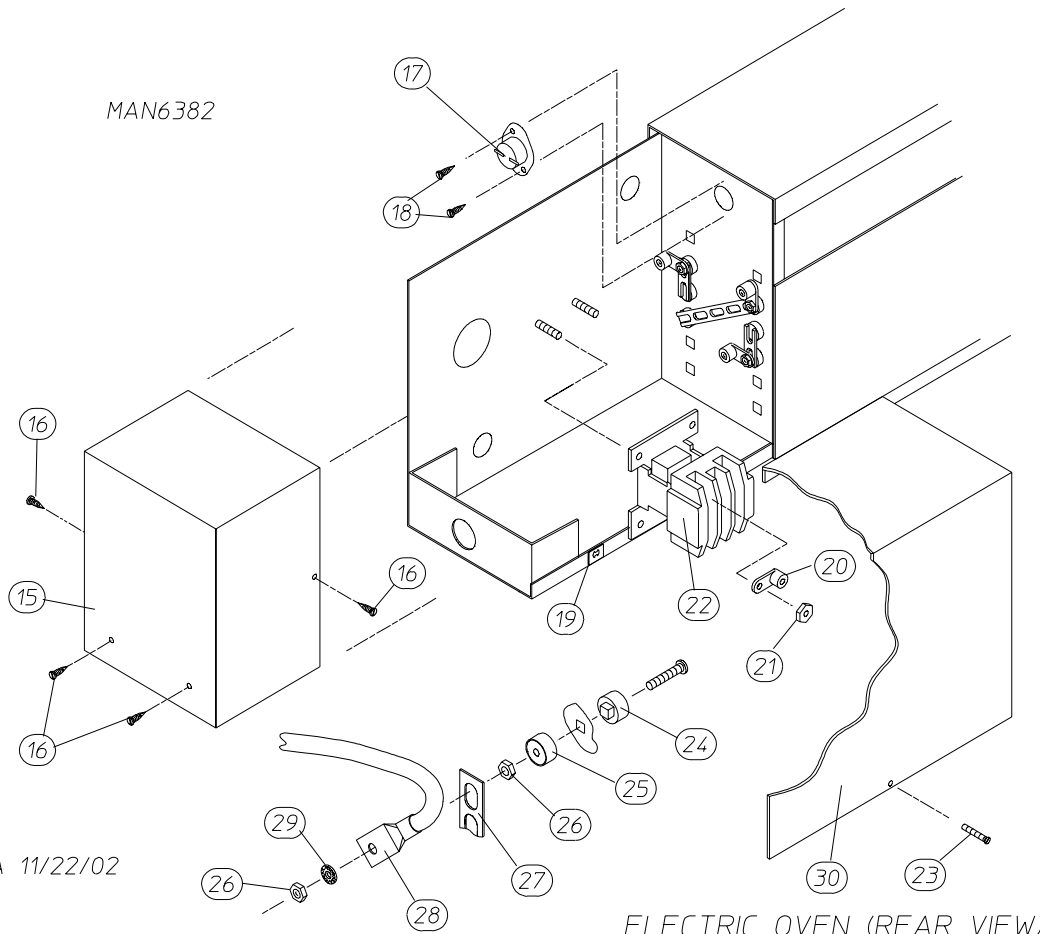
\* Consult factory for elevations over 2,000 feet.

\*\* Burner orifices *are not included* and **must be** ordered separately.

\*\*\* Needed when converting steam heat to gas heat.



ELECTRIC OVEN (FRONT VIEW)



MAN6382

JCARRITA 11/22/02

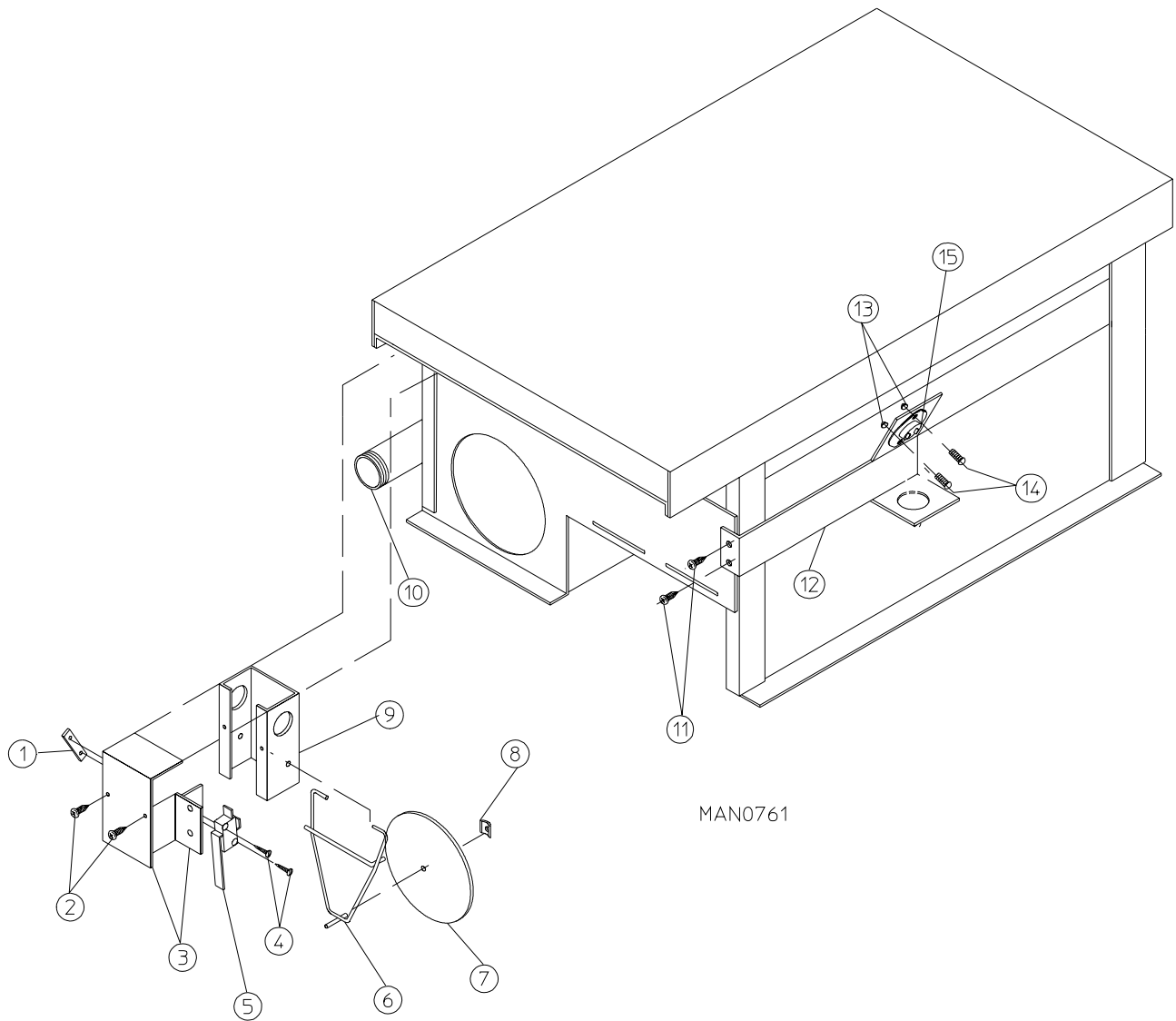
ELECTRIC OVEN (REAR VIEW)



<u>Illus. No.</u>	<u>Part No.</u>	<u>Qty.</u>	<u>Description</u>
1	803003	1	Small Electric Oven Box ONLY
	-----*	1	Electric Oven Assembly Complete
2	-----*	-	Electric Element
3	150300	2	#10-16 x 1/2" Hex Washer TEK Screw
4	802800	1	Sail Switch Box with Bracket and Cover ONLY
	802801	1	Sail Switch Box Assembly Complete (includes illus. nos. 4 through 12)
	802804	1	Sail Switch Box Assembly Complete (for dual timer CE models Only) (includes illus. nos. 4 through 12)
5	154004	1	Twin Speed Nut
6	150309	2	#10-16 x 1/2" Hex Head TEK Crimptite Screw
7	802799	1	Sail Switch Box Cover ONLY
8	122200	1	SPST Sail Switch
	122404	1	SPDT Sail Switch (for dual timer CE models Only)
9	150303	2	#4 x 3/4" Pan Head Machine Screw
10	105500	1	Sail Switch Actuator Rod
11	319202	1	Sail Switch Damper (flat)
12	154002	1	1/8" Push On Fastener
13	150300	2	#10-16 x 1/2" Hex Washer TEK Screw
14	803100	1	Electric Oven Front Cover
15	320611	1	Large Relay Box Cover
16	150301	3	#8-18 x 7/16 Phillips Pan Head TEK Screw
17	130400	1	290° Hi-Limit Thermostat
18	150300	2	#10-16 x 1/2" Hex Washer TEK Screw
19	154001	1	#10-24 Speed Nut
20	121010	1	L-70 Ground Lug
21	152014	3	1/4-20 Free Spin Wash Nut
22	-----*	1	Oven Relay
23	150207	1	#10-24 x 1/2" Phillips Head Machine Screw
24	120081	-	Internal Ceramic Insulator (2 per element)
25	120080	-	External Ceramic Insulator (2 per element)
26	152008	-	#10-32 Hex Nut (4 per element)
27	121011*	-	Bus Bar
28	-----*	-	Oven Wire with Crimp Lug
29	153009	-	#10 Star Washer (2 per element)
30	321300	1	Small Electric Oven Right Side Cover
	882604**	1	Steam to Electric Interface Assembly...Not Illustrated

\* Refer to **Electrical Oven Component Application Charts** on page 55 and page 56.

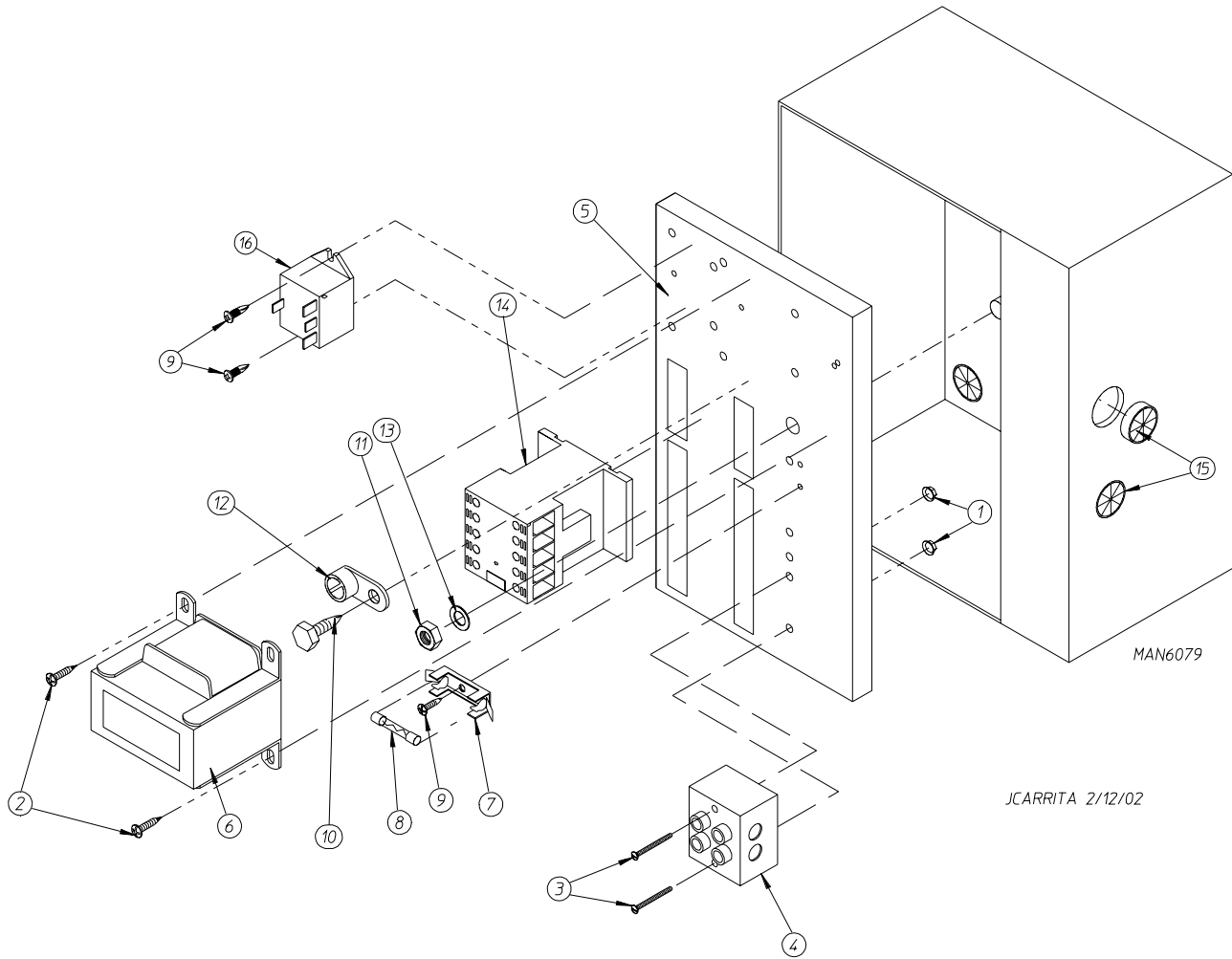
\*\* Needed when converting steam heat to electric heat.



MAN0761

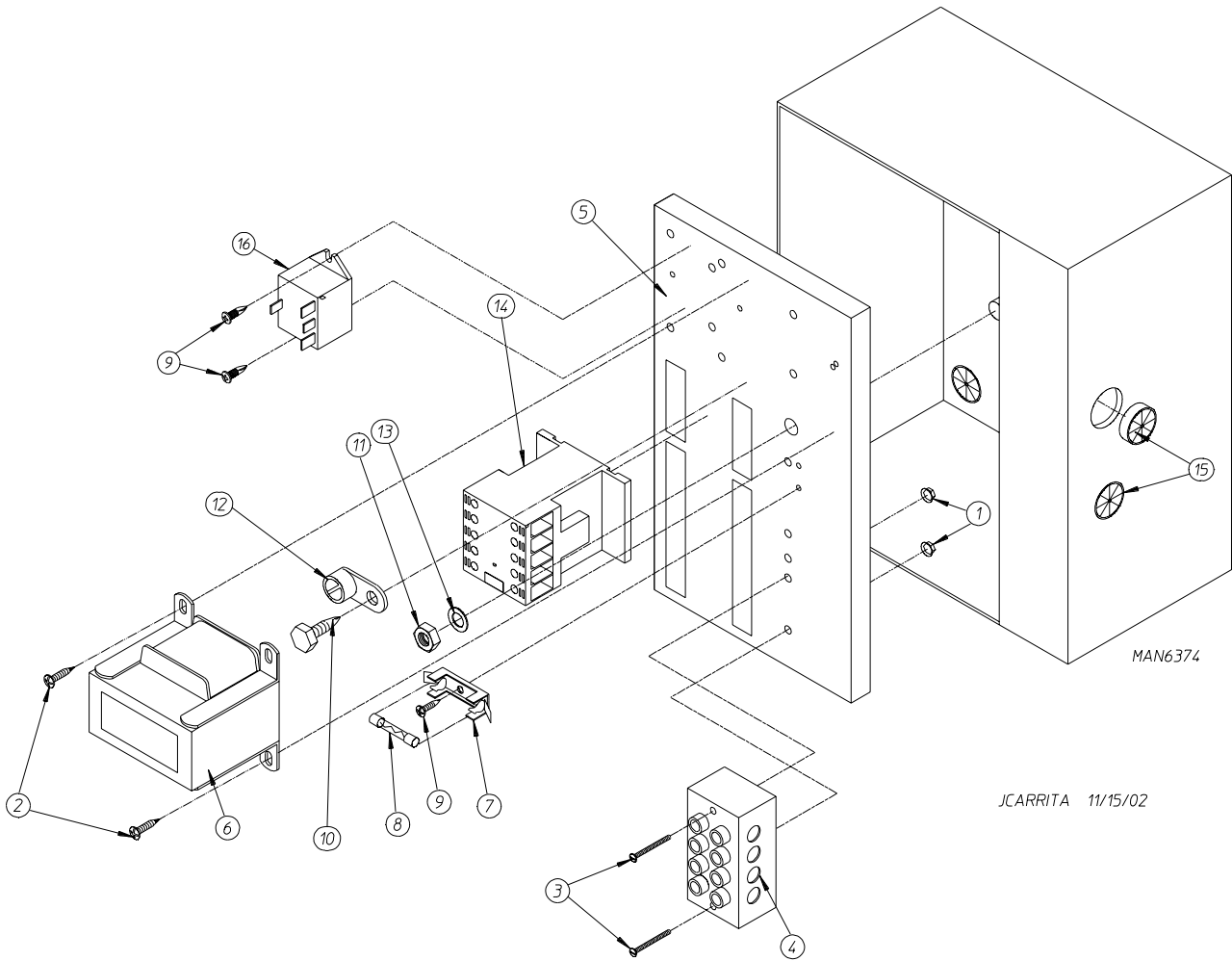
---

<u>Illus. No.</u>	<u>Part No.</u>	<u>Qty.</u>	<u>Description</u>
1	154004	1	Twin Speed Nut
2	150300	2	#10-16 x 1/2" Hex Washer TEK Screw
3	802799	1	Sail Switch Box Cover and Bracket ONLY
4	150303	2	#4 x 3/4" Pan Head Machine Screw
5	122200	1	SPST Sail Switch
	122404	1	SPDT Sail Switch (for dual timer CE models Only)
6	105500	1	Sail Switch Actuator Rod
7	319202	1	Sail Switch Damper (flat)
8	154002	1	1/8" Push On Fastener
9	802800	1	Sail Switch Box with Cover and Bracket ONLY
	802801	1	Sail Switch Box Assembly Complete (includes illus. nos. 1 through 9)
	802804	1	Sail Switch Box Assembly Complete (for dual timer CE models Only) (includes illus. nos. 1 through 9)
10	142800	1	1/2" x 18" Pipe
11	150300	2	#10-16 x 1/2" Hex Washer TEK Screw
12	319704	1	Hi-Limit Mounting Bracket ONLY
13	151000	2	#6-32 Pal Nut
14	150001	2	#6-32 x 1/2" Round Head Machine Screw
15	130201	1	330° Hi-Limit Thermostat



<u>Illus. No.</u>	<u>Part No.</u>	<u>Qty.</u>	<u>Description</u>
1	151000	2	#6-32 Pal Nut
2	150300	2	#10-16 x 1/2" Hex Washer TEK Screw
3	150008	2	#6-32 x 1-1/4" Phillips Pan Head Machine Screw
4	120716	1	2-Position Terminal Block
5	322812	1	Rear Electric Mounting Plate ONLY
	822796	1	Rear Electric Panel Assembly Complete - 115 Volt (for gas models Only) (includes illus. nos. 1 through 14)
	830153	1	Rear Electric Panel Assembly Complete - 115 Volt (for steam models Only) (includes illus. nos. 1 through 14)
	822798	1	Rear Electric Panel Assembly Complete - 208-240 Volt (for gas models Only) (includes illus. nos. 1 through 14)
	830273	1	Rear Electric Panel Assembly Complete - 208-240 Volt (for steam models Only) (includes illus. nos. 1 through 14)
	830131	1	Rear Electric Panel Assembly Complete - 208-240 Volt (for electric models Only) (includes illus. nos. 1 through 14 and 16)
	830426	1	Rear Electric Panel Assembly Complete - 380-416 Volt (for electric models with 1 $\phi$ motors Only) (includes illus. nos. 1 through 14 and 16)
6	830151	1	Transformer Assembly - 115 Volt
	822799	1	Transformer Assembly - 208-240 Volt (for gas and steam models Only)
	822792	1	Transformer Assembly - 208-240 Volt (for electric models Only)
	830141	1	Transformer Assembly - 380-416 Volt
7	136008	*	Fuse Holder
8	136057	*	1/2-Amp (Slo-Blo) Fuse
9	150301	4	#8-18 x 7/16" Phillips Pan Head TEK Screw
10	150297	1	#10 x 1/2" Green Hex Washer TEK Screw
11	152004	1	5/16-18 Hex Nut
12	121010	1	L-70 Ground Lug
13	153002	1	5/16" Lock Washer
14	132495	1	3-Pole Contactor
15	121300	3	Open/Closed Bushing
16	131932	1	24V SPST Relay (for electric models Only)

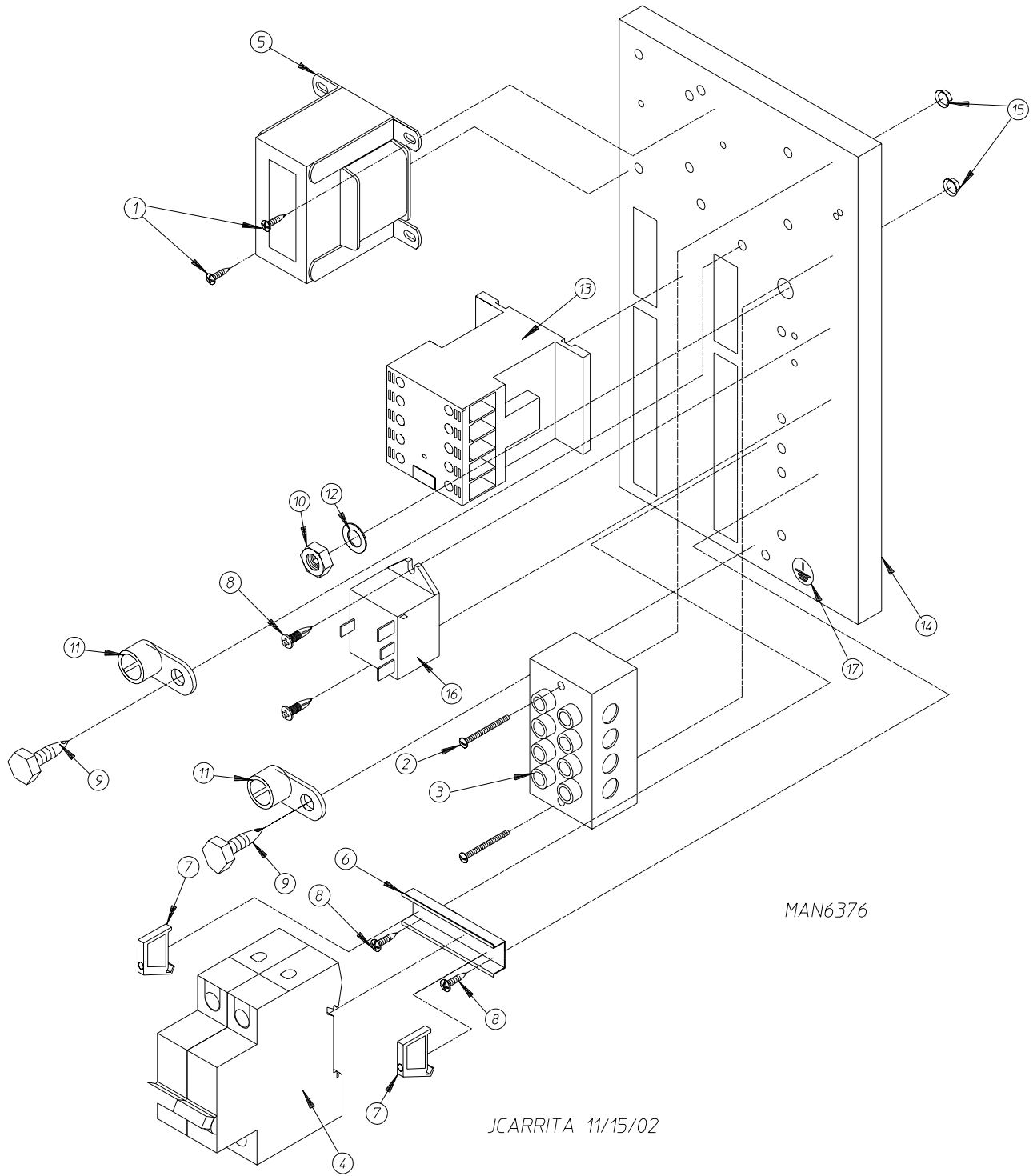
\* Quantity is 1 for 115v and 380-416v. Quantity is 2 for 208-240v.



<u>Illus. No.</u>	<u>Part No.</u>	<u>Qty.</u>	<u>Description</u>
1	151000	2	#6-32 Pal Nut
2	150300	2	#10-16 x 1/2" Hex Washer TEK Screw
3	150008	2	#6-32 x 1-1/4" Phillips Pan Head Machine Screw
4	120701	1	4-Position Terminal Block
5	322812	1	Rear Electric Mounting Plate ONLY
	830154	1	Rear Electric Panel Assembly Complete - 208-240 Volt (for gas models Only) (includes illus. nos. 1 through 14)
	830322	1	Rear Electric Panel Assembly Complete - 208-240 Volt (for steam models Only) (includes illus. nos. 1 through 14)
	830157	1	Rear Electric Panel Assembly Complete - 208-240 Volt (for electric models Only) (includes illus. nos. 1 through 14 and 16)
	-----*	1	Rear Electric Panel Assembly Complete - 380-416 Volt (for gas models Only) (includes illus. nos. 1 through 14)
	803834	1	Rear Electric Panel Assembly Complete - 380-416 Volt (for steam models Only) (includes illus. nos. 1 through 14)
	830140	1	Rear Electric Panel Assembly Complete - 380-416 Volt (for electric models with 3 $\phi$ motors Only) (includes illus. nos. 1 through 14 and 16)
6	822799	1	Transformer Assembly - 208-240 Volt (for gas and steam models Only)
	822792	1	Transformer Assembly - 208-240 Volt (for electric models Only)
	822784	1	Transformer Assembly - 380-416 Volt (for gas and steam models Only)
	830141	1	Transformer Assembly - 380-416 Volt (for electric models Only)
7	136008	**	Fuse Holder
8	136057	**	1/2-Amp (Slo-Blo) Fuse
9	150301	4	#8-18 x 7/16" Phillips Pan Head TEK Screw
10	150297	1	#10 x 1/2" Green Hex Washer TEK Screw
11	152004	1	5/16-18 Hex Nut
12	121010	1	L-70 Ground Lug
13	153002	1	5/16" Lock Washer
14	132495	1	3-Pole Contactor
15	121300	3	Open/Closed Bushing
16	131932	1	24V SPST Relay (for electric models Only)

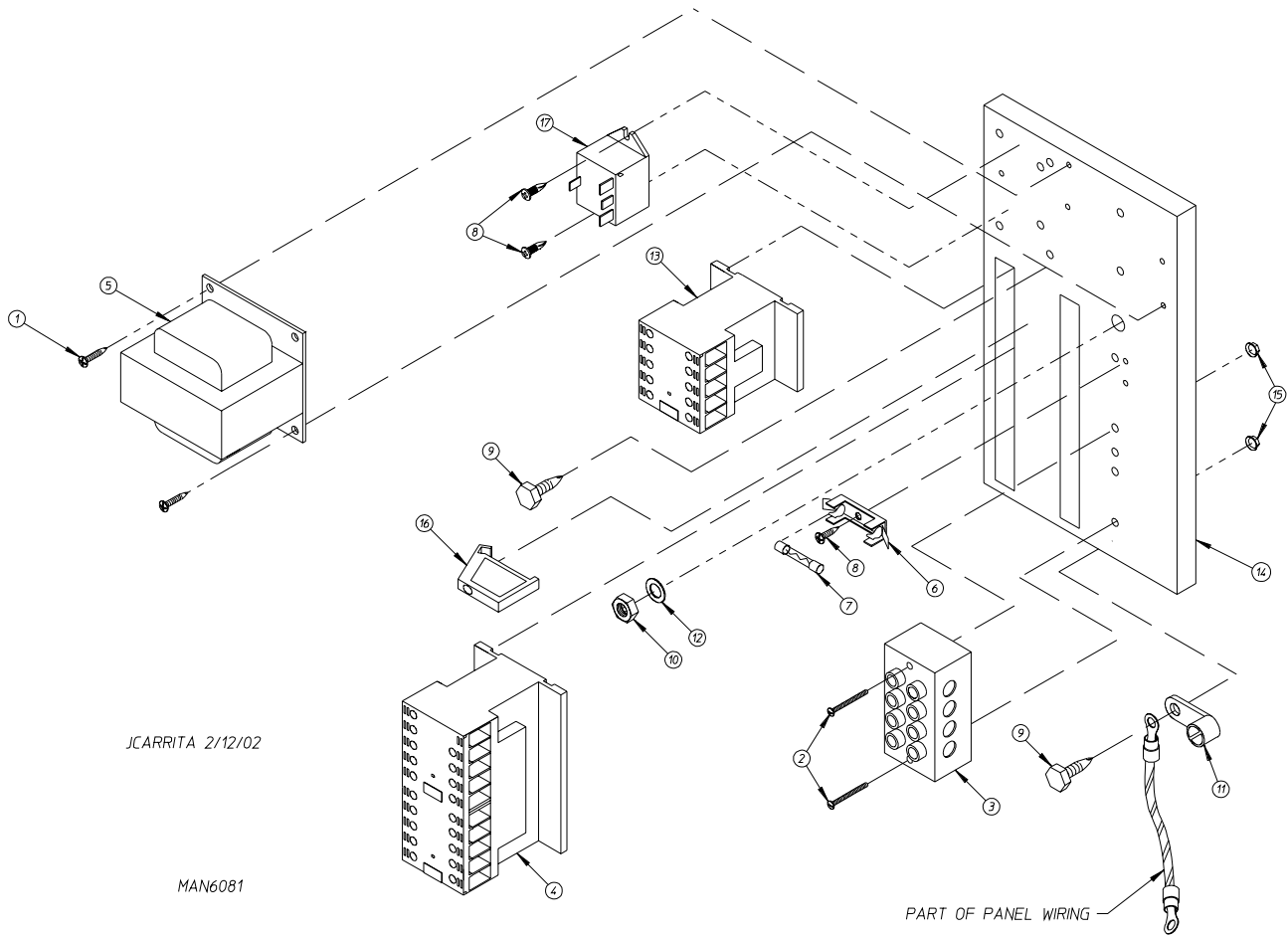
\* Not available at time of printing.

\*\* Quantity is 2 for 208-240v and 1 for 380-416v.



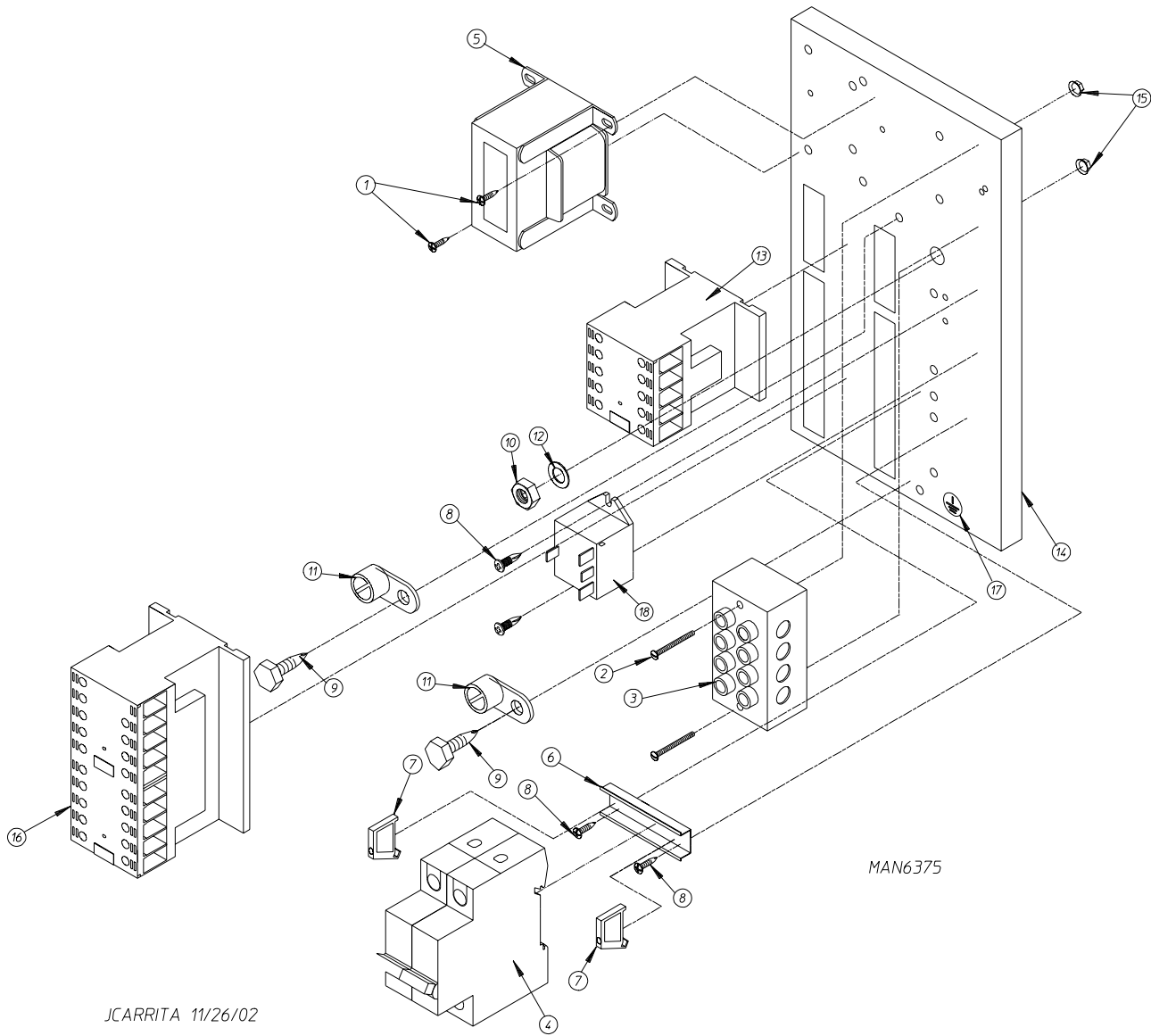


<u>Illus. No.</u>	<u>Part No.</u>	<u>Qty.</u>	<u>Description</u>
1	150300	2	#10-16 x 1/2" Hex Washer TEK Screw
2	150008	2	#6-32 x 1-1/4" Phillips Pan Head Machine Screw
3	120701	1	4-Position Terminal Block
4	135501	1	2-Pole 1-Amp Circuit Breaker
5	824221	1	Transformer Assembly - 460-480 Volt
6	120768	2	35 x 15mm Din Rail
7	120765	2	Standard End Bracket
8	150301	4	#8-18 x 7/16" Phillips Pan Head TEK Screw
9	150297	2	#10 x 1/2" Green Hex Washer TEK Screw
10	152004	1	5/16-18 Hex Nut
11	121010	2	L-70 Ground Lug
12	153002	1	5/16" Lock Washer
13	132495	1	3-Pole Contactor
14	322812	1	Rear Electric Mounting Plate ONLY
	830263	1	Rear Electric Panel Assembly Complete - 460-480 Volt (for gas models Only) (includes illus. nos. 1 through 15 and 17)
	830137	1	Rear Electric Panel Assembly Complete - 460-480 Volt (for steam models Only) (includes illus. nos. 1 through 15 and 17)
	830199	1	Rear Electric Panel Assembly Complete - 460-480 Volt (for electric models Only) (includes illus. nos. 1 through 17)
15	151000	2	#6-32 Pal Nut
16	131932	1	24V SPST Relay (for electric models Only)
17	112075	1	Ground Label

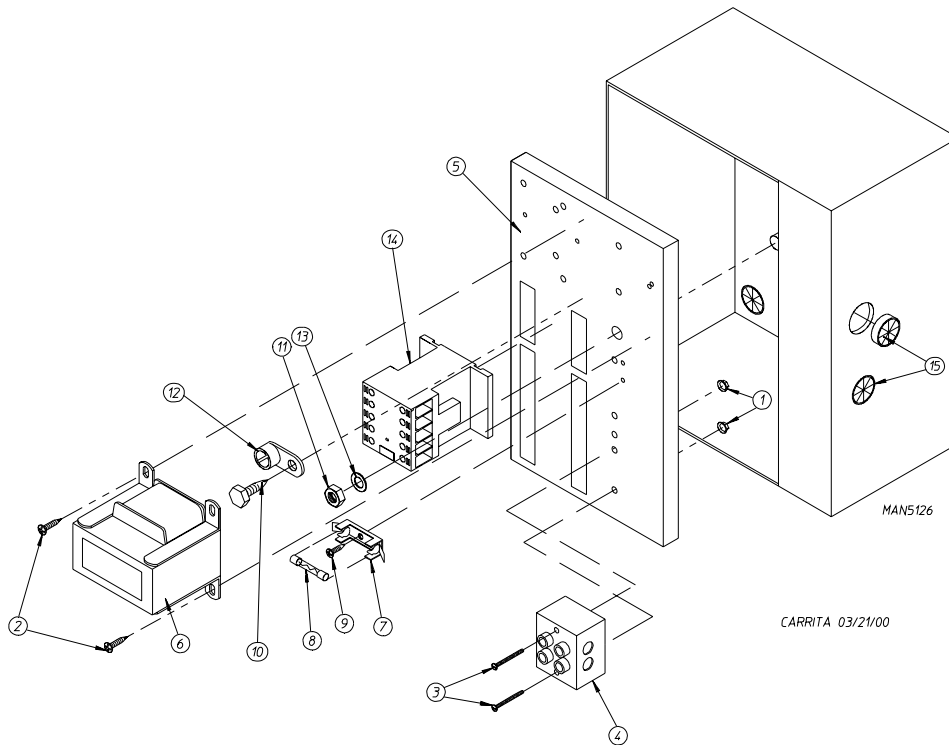


<u>Illus. No.</u>	<u>Part No.</u>	<u>Qty.</u>	<u>Description</u>
1	150300	2	#10-16 x 1/2" Hex Washer TEK Screw
2	150008	2	#6-32 x 1-1/4" Phillips Pan Head Machine Screw
3	120701	1	4-Position Terminal Block
4	132497	1	3-Pole Reversing Contactor
5	822799	1	Transformer Assembly - 208-240 Volt (for gas and steam models Only)
	822792	1	Transformer Assembly - 208-240 Volt (for electric models Only)
	822784	1	Transformer Assembly - 380-416 Volt
6	136008	*	Fuse Holder
7	136057	*	1/2-Amp (Slo-Blo) Fuse
8	150301	4	#8-18 x 7/16" Phillips Pan Head TEK Screw
9	150297	2	#10 x 1/2" Green Hex Washer TEK Screw
10	152004	1	5/16-18 Hex Nut
11	121010	2	L-70 Ground Lug
12	153002	1	5/16" Lock Washer
13	132495	1	3-Pole Contactor
14	322812	1	Rear Electric Mounting Plate ONLY
	822771	1	Rear Electric Panel Assembly Complete - 208-240 Volt (for gas models Only) (includes illus. nos. 1 through 16)
	830167	1	Rear Electric Panel Assembly Complete - 208-240 Volt (for steam models Only) (includes illus. nos. 1 through 16)
	822789	1	Rear Electric Panel Assembly Complete - 208-240 Volt (for electric models Only) (includes illus. nos. 1 through 17)
	822783	1	Rear Electric Panel Assembly Complete - 380-416 Volt (for gas models Only) (includes illus. nos. 1 through 16)
	830117	1	Rear Electric Panel Assembly Complete - 380-416 Volt (for steam models Only) (includes illus. nos. 1 through 16)
	818397	1	Rear Electric Panel Assembly Complete - 380-416 Volt (for electric models Only) (includes illus. nos. 1 through 17)
15	151000	2	#6-32 Pal Nut
16	120765	1	Standard End Bracket
17	131932	1	24V SPST Relay (for electric models Only)

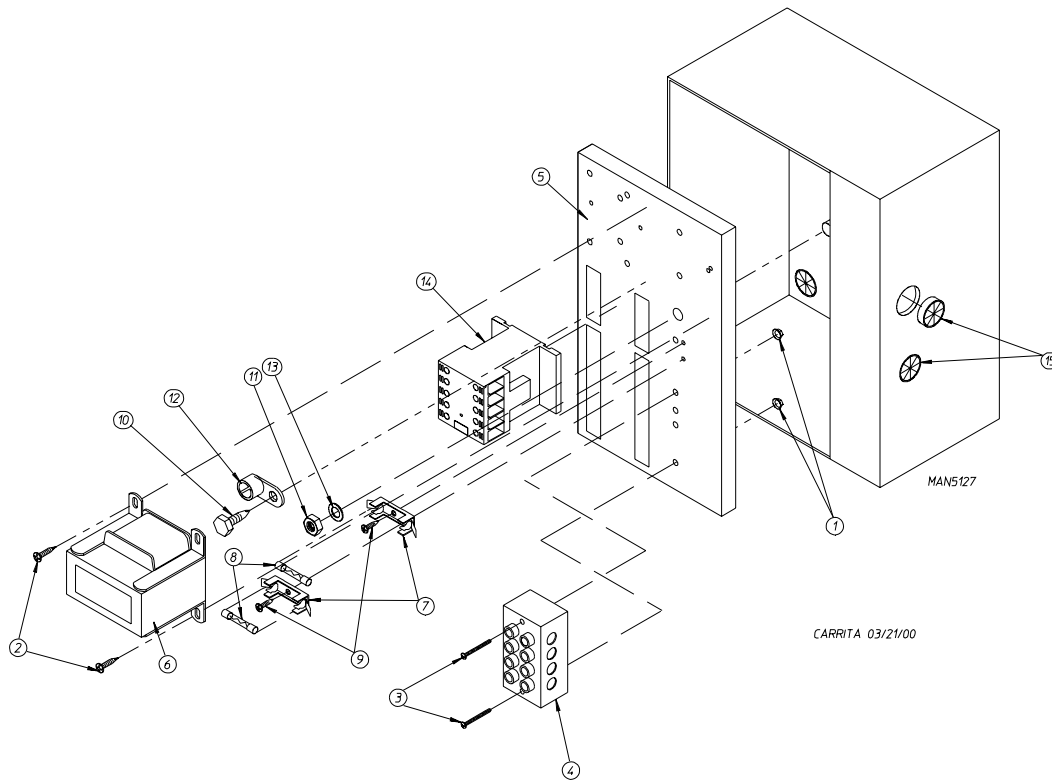
\* Quantity is 2 for 208-240v and 1 for 380-416v.



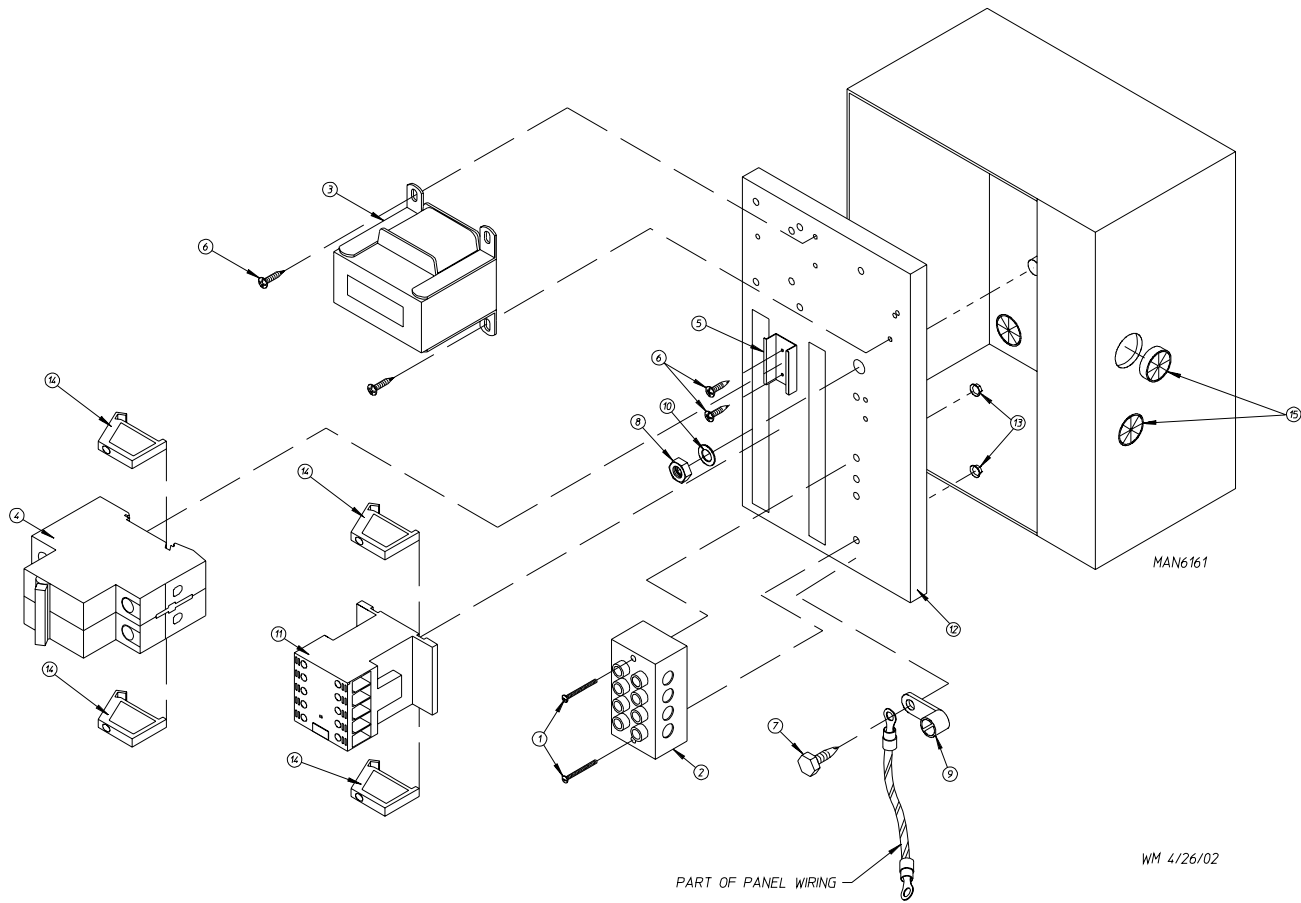
<u>Illus. No.</u>	<u>Part No.</u>	<u>Qty.</u>	<u>Description</u>
1	150300	2	#10-16 x 1/2" Hex Washer TEK Screw
2	150008	2	#6-32 x 1-1/4" Phillips Pan Head Machine Screw
3	120701	1	4-Position Terminal Block
4	135501	1	2-Pole 1-Amp Circuit Breaker
5	824221	1	Transformer Assembly - 460-480 Volt
6	120768	2	35 x 15mm Din Rail
7	120765	2	Standard End Bracket
8	150301	4	#8-18 x 7/16" Phillips Pan Head TEK Screw
9	150297	2	#10 x 1/2" Green Hex Washer TEK Screw
10	152004	1	5/16-18 Hex Nut
11	121010	2	L-70 Ground Lug
12	153002	1	5/16" Lock Washer
13	132495	1	3-Pole Contactor
14	322812	1	Rear Electric Mounting Plate ONLY
	830147	1	Rear Electric Panel Assembly Complete - 460-480 Volt (for gas models Only) (includes illus. nos. 1 through 17)
	830103	1	Rear Electric Panel Assembly Complete - 460-480 Volt (for steam models Only) (includes illus. nos. 1 through 17)
	824371	1	Rear Electric Panel Assembly Complete - 460-480 Volt (for electric models Only) (includes illus. nos. 1 through 18)
15	151000	2	#6-32 Pal Nut
16	132497	1	3-Pole Reversing Contactor
17	112075	1	Ground Label
18	131932	1	24V SPST Relay (for electric models Only)



<u>Illus. No.</u>	<u>Part No.</u>	<u>Qty.</u>	<u>Description</u>
1	151000	2	#6-32 Pal Nut
2	150300	2	#10-16 x 1/2" Hex Washer TEK Screw
3	150008	2	#6-32 x 1-1/4" Phillips Pan Head Machine Screw
4	120716	1	2-Position Terminal Block
5	322817	1	Rear Electric Mounting Plate ONLY
	882662	1	Rear Electric Panel Assembly Complete - 120 Volt (includes illus. nos. 1 through 14)
	882663	1	Rear Electric Panel Assembly Complete - 208-240 Volt (for gas and steam models Only) (includes illus. nos. 1 through 14)
	818395	1	Rear Electric Panel Assembly Complete - 208-240 Volt (for electric models mfd. with single-phase (1 $\phi$ ) motor Only) (includes illus. nos. 1 through 14)
	882667	1	Rear Electric Panel Assembly Complete - 380-416 Volt (for electric models mfd. with single-phase (1 $\phi$ ) motor Only) (includes illus. nos. 1 through 14)
6	882652	1	Transformer Assembly - 120 Volt
	882653	1	Transformer Assembly - 208-240 Volt (for gas and steam models Only)
	818396	1	Transformer Assembly - 208-240 Volt (for electric models Only)
	882654	1	Transformer Assembly - 380-416 Volt
7	136008	1 or 2	Fuse Holder
8	136049	1	3/4-Amp (Slo-Blo) Fuse - 120 Volt
	136057	2	1/2-Amp (Slo-Blo) Fuse - 208-416 Volt
9	150301	1 or 2	#8-18 x 7/16" Phillips Pan Head TEK Screw
10	150297	1	#10 x 1/2" Green Hex Washer TEK Screw
11	152004	1	5/16-18 Hex Nut
12	121010	1	L-70 Ground Lug
13	153002	1	5/16" Lock Washer
14	132459	1	3-Pole Contactor
15	121300	3	Open/Closed Bushing

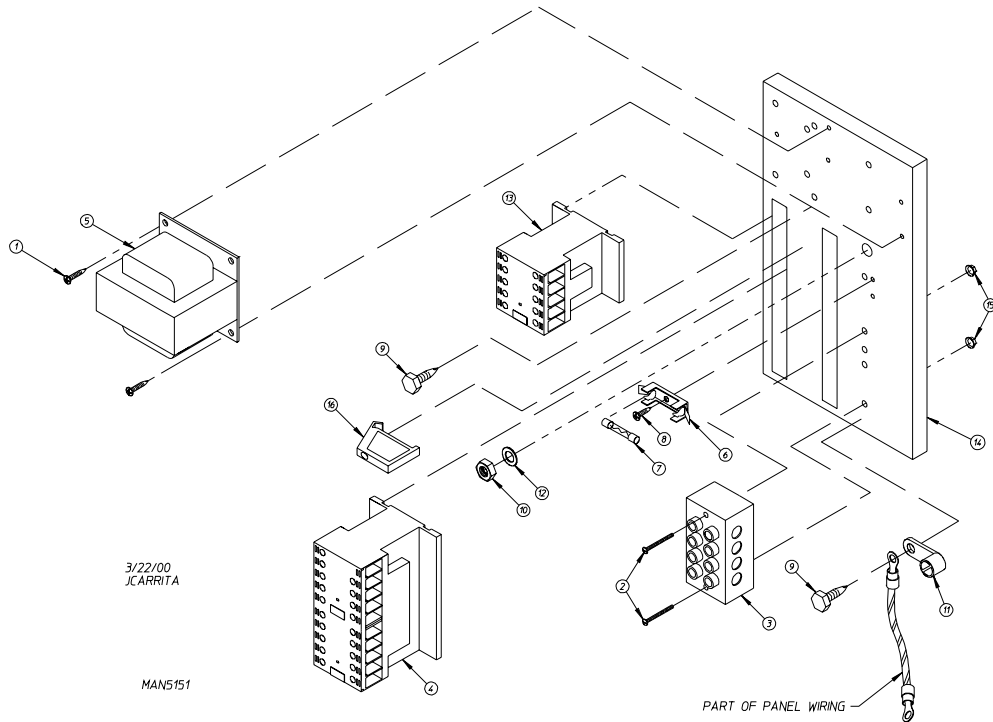


<u>Illus. No.</u>	<u>Part No.</u>	<u>Qty.</u>	<u>Description</u>
1	151000	2	#6-32 Pal Nut
2	150300	2	#10-16 x 1/2" Hex Washer TEK Screw
3	150008	2	#6-32 x 1-1/4" Phillips Pan Head Machine Screw
4	120701	1	4-Position Terminal Block
5	322817	1	Rear Electric Mounting Plate ONLY
	882664	1	Rear Electric Panel Assembly Complete - 208-240 Volt (for gas and steam models Only) (includes illus. nos. 1 through 14)
	818400	1	Rear Electric Panel Assembly - 208-240 Volt (for electric models Only) (includes illus. nos. 1 through 14)
	882665	1	Rear Electric Panel Assembly Complete - 380-416 Volt (for gas and steam models Only) (includes illus. nos. 1 through 14)
6	882653	1	Transformer Assembly - 208-240 Volt (for gas and steam models Only)
	818396	1	Transformer Assembly - 208-240 Volt (for electric models Only)
	882654	1	Transformer Assembly - 380-416 Volt
7	136008	2	Fuse Holder
8	136057	2	1/2-Amp (Slo-Blo) Fuse
9	150301	2	#8-18 x 7/16" Phillips Pan Head TEK Screw
10	150297	1	#10 x 1/2" Green Hex Washer TEK Screw
11	152004	1	5/16-18 Hex Nut
12	121010	1	L-70 Ground Lug
13	153002	1	5/16" Lock Washer
14	132459	1	3-Pole Contactor
15	121300	3	Open/Closed Bushing



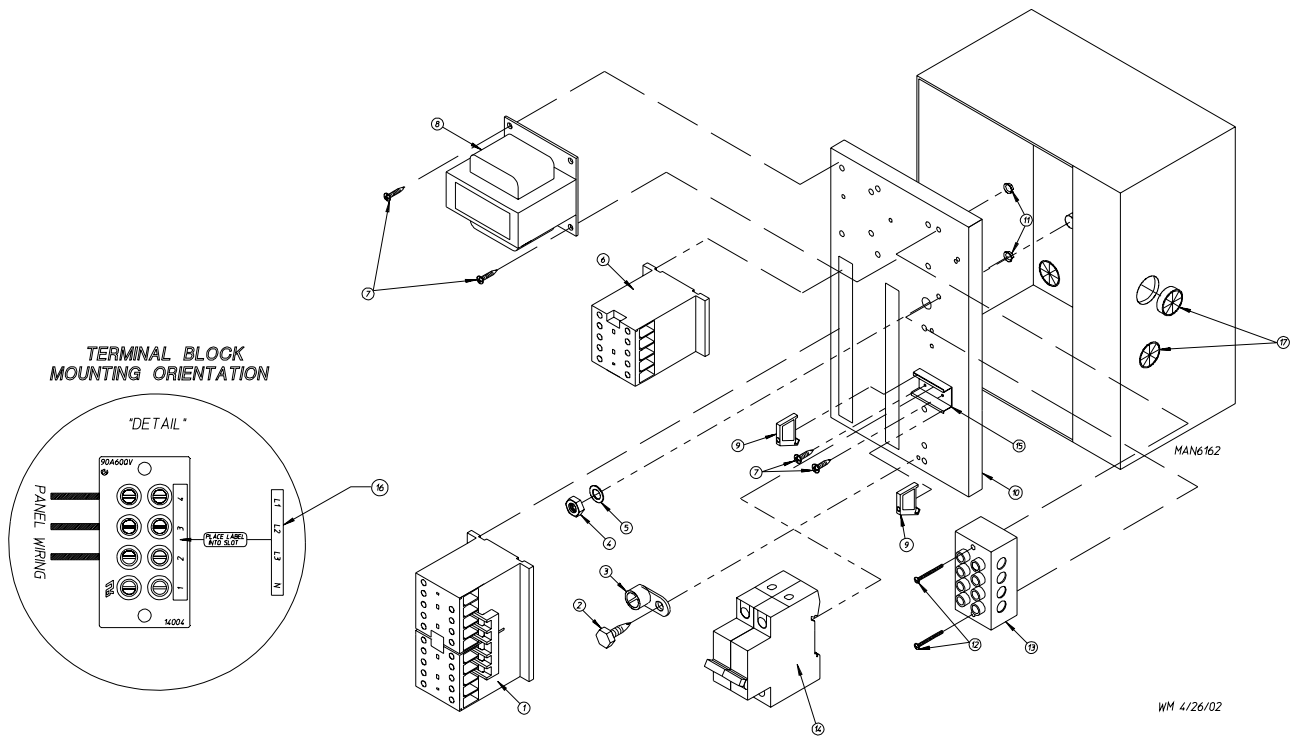
<u>Illus. No.</u>	<u>Part No.</u>	<u>Qty.</u>	<u>Description</u>
1	150009	2	#6-32 x 1-1/2" Phillips Pan Head Machine Screw
2	120701	1	4-Position Terminal Block
3	824161	1	Transformer Assembly
4	135501	1	2-Pole 1-Amp Circuit Breaker
5	120768	2	35 x 15mm Din Rail
6	150301	4	#8-18 x 7/16" Phillips Pan Head TEK Screw
7	150297	1	#10 x 1/2" Green Hex Washer TEK Screw
8	152004	1	5/16-18 Hex Nut
9	121010	1	L-70 Ground Lug
10	153002	1	5/16" Lock Washer
11	132459	1	24 VAC 3-Pole Contactor
12	322817	1	Mounting Plate ONLY
	830262	1	Rear Panel Assembly Complete (includes illus. nos. 1 through 14)
13	151000	2	#6-32 Pal Nut
14	120765	4	End Stop
15	121300	3	Open/Closed Bushing





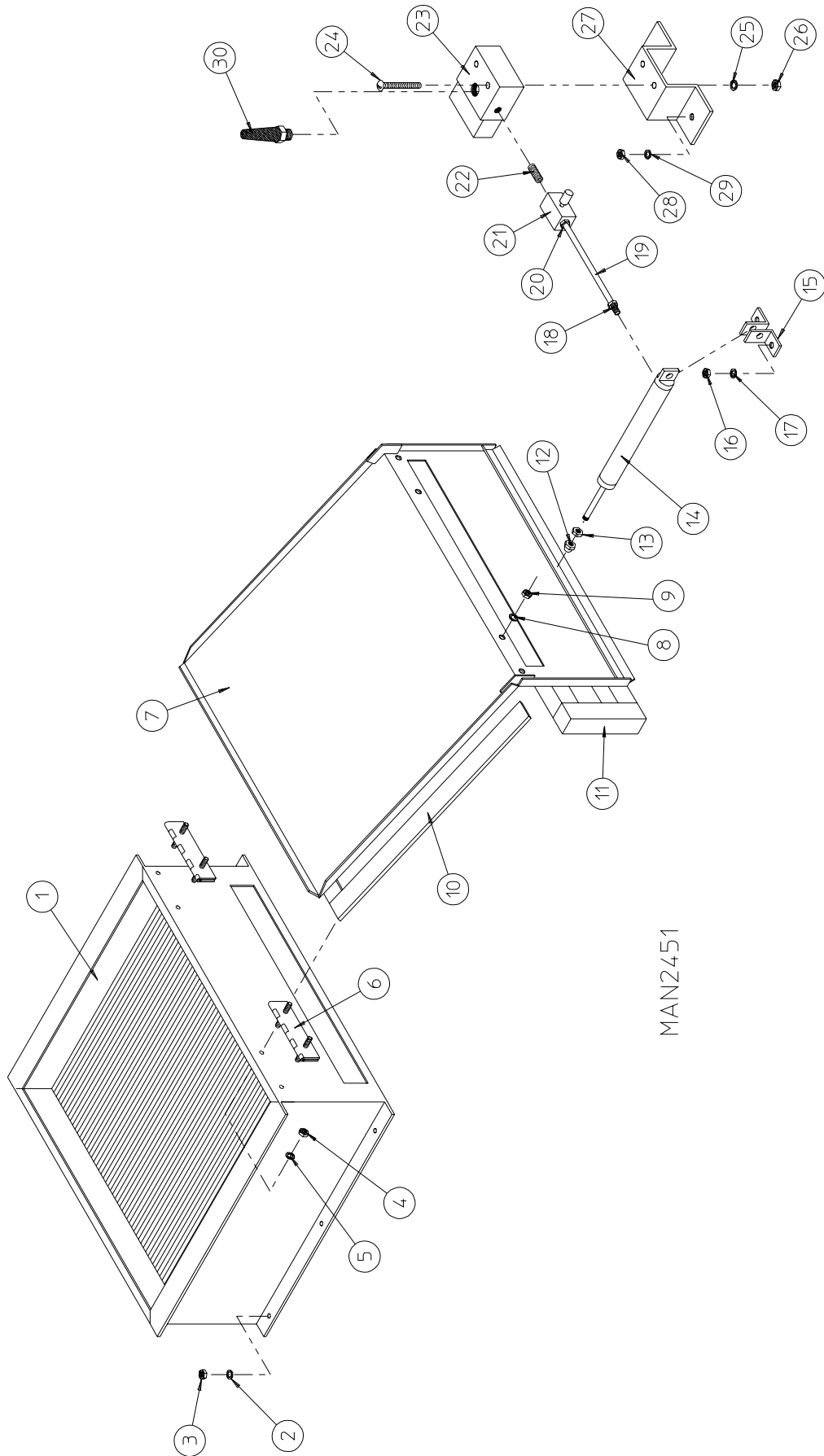
<u>Illus. No.</u>	<u>Part No.</u>	<u>Qty.</u>	<u>Description</u>
1	150300	2	#10-16 x 1/2" Hex Washer TEK Screw
2	150008	2	#6-32 x 1-1/4" Phillips Pan Head Machine Screw
3	120701	1	4-Position Terminal Block
4	132458	1	3-Pole Reversing Contactor
5	882653	1	Transformer Assembly - 208-240 Volt (for gas and steam models Only)
	825428	1	Transformer Assembly - 208-240 Volt (for electric models Only)
	882654	1	Transformer Assembly - 380-416 Volt
6	136008	*	Fuse Holder
7	136057	*	1/2-Amp (Slo-Blo) Fuse
8	150301	*	#8-18 x 7/16" Phillips Pan Head TEK Screw
9	150297	2	#10 x 1/2" Green Hex Washer TEK Screw
10	152004	1	5/16-18 Hex Nut
11	121010	1	L-70 Ground Lug
12	153002	1	5/16" Lock Washer
13	132459	1	3-Pole Contactor
14	322812	1	Rear Electric Mounting Plate ONLY
	882673	1	Rear Electric Panel Assembly Complete - 208-240 Volt (for gas and steam models Only) (includes illus. nos. 1 through 16)
	883335	1	Rear Electric Panel Assembly Complete - 208-240 Volt (for electric models Only) (includes illus. nos. 1 through 16)
	882676	1	Rear Electric Panel Assembly Complete - 380-416 Volt (includes illus. nos. 1 through 16)
15	151000	2	#6-32 Pal Nut
16	120765	1	Standard End Bracket

\* Quantity is 2 for 208-240v and 1 for 380-416v.



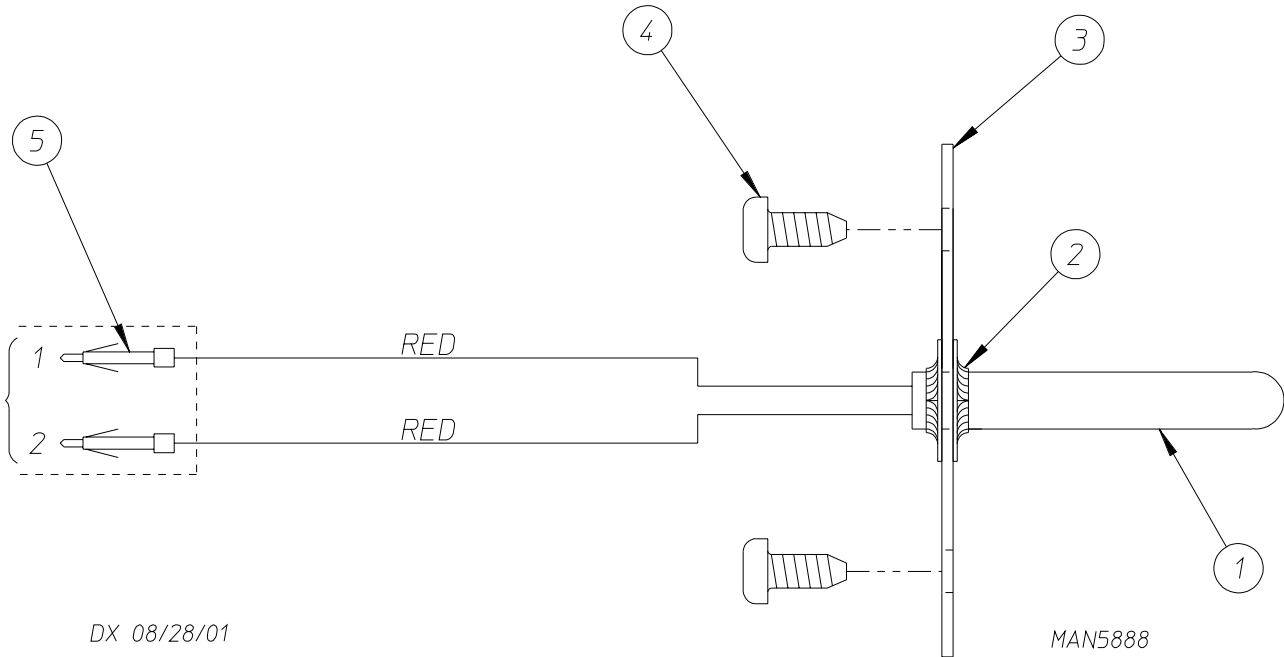
---

<u>Illus. No.</u>	<u>Part No.</u>	<u>Qty.</u>	<u>Description</u>
1	132458	1	24 VAC Reversing Contactor
2	150297	1	#10 x 1/2" Green Hex Washer TEK Screw
3	121010	1	L-70 Ground Lug
4	152004	1	5/16-18 Hex Nut
5	153002	1	5/16" Lock Washer
6	132459	1	24 VAC 3-Pole Blower Contactor
7	150300	4	#10-16 x 1/2" Hex Washer TEK Screw
8	824161	1	Transformer Assembly (460 VAC)
9	120765	2	Standard End Bracket
10	322817	1	Mounting Plate ONLY
	824412	1	460 VAC Reversing Rear Electric Panel Assembly Complete (includes illus. nos. 1 through 16)
11	151000	2	#6-32 Pal Nut
12	150009	2	#6-32 x 1-1/2" Phillips Pan Head Machine Screw
13	120701	1	4-Position Terminal Block
14	135501	1	2-Pole 1-Amp Circuit Breaker
15	120768	2	35 x 15mm Din Rail (sold by the inch)
16	112068	1	3-Phase (3 $\phi$ ) Power Input Label
17	121300	3	Open/Closed Bushing

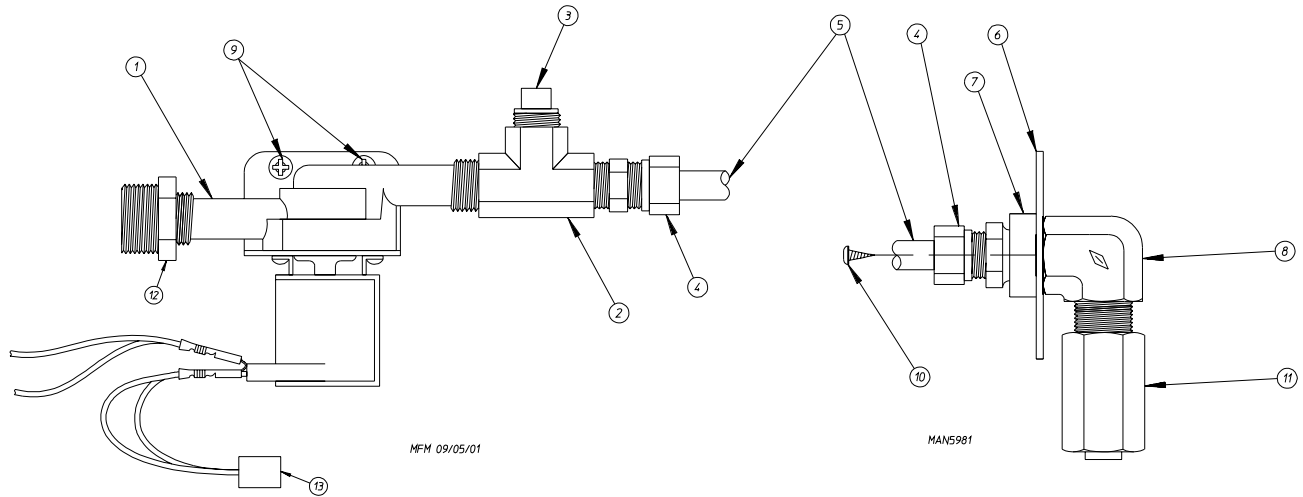


---

<u>Illus. No.</u>	<u>Part No.</u>	<u>Qty.</u>	<u>Description</u>
1	165013	1	Steam Coil Assembly
2	153002	6	5/16" Lock Washer
3	152004	6	5/16-18 Hex Nut
4	152002	4	1/4-20 Hex Nut
5	153007	4	1/4" Lock Washer
6	820321	2	Steam Damper Hinge Assembly
7	880835	1	Steam Damper Assembly (includes illus. nos. 7, 10, and 11)
8	153007	4	1/4" Lock Washer
9	152002	4	1/4-20 Hex Nut
10	115995	48	Steam Damper Gasket (sold by the inch)
11	102350	1	Steam Damper Foam (68-1/2" length)
12	151006	1	5/16-24 Stainless Steel Acorn Nut
13	152051	1	5/16-24 Right Hand Jam Nut
14	100495	1	11/16" Dia. x 3" Stroke Piston
15	323365	2	Left and Right Piston Support
16	152002	2	1/4-20 Hex Nut
17	153007	2	1/4" Lock Washer
18	100472	1	1/4" Poly x 1/8" M.P.T. Connector
19	143110	1	1/4" Poly-Flo Tubing
20	100472	1	1/4" Poly x 1/8" M.P.T. Connector
21	100496	1	1/8" Needle Valve
22	143238	1	1/8" Brass Close Nipple
23	100498	1	3-Way Micro Valve - 24 VAC
24	150002	2	#6-32 x 1" Phillips Round Head Machine Screw
25	153010	2	#6 Star Washer
26	152000	2	#6-32 Hex Nut
27	330987	1	Micro Valve Support
28	152002	2	1/4-20 Hex Nut
29	153007	2	1/4" Lock Washer
30	100520	1	1/8" N.P.T. Silencer (muffler)

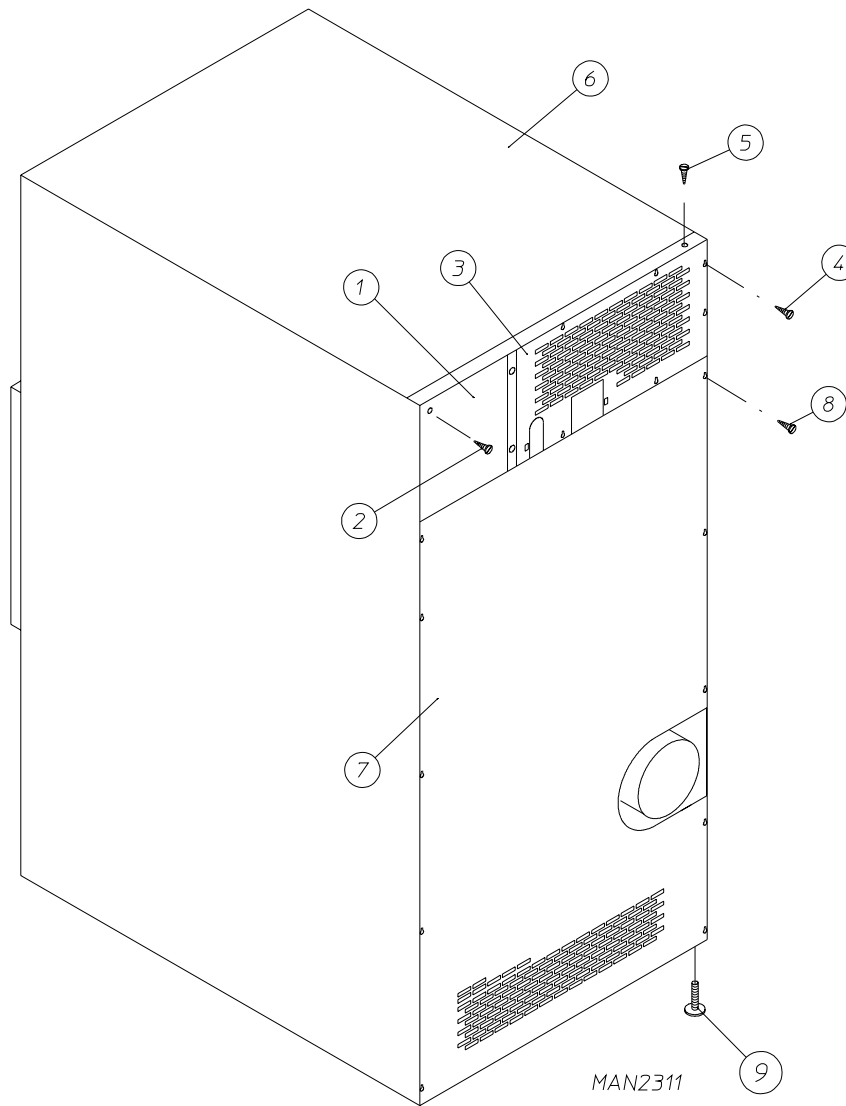


<u>Illus. No.</u>	<u>Part No.</u>	<u>Qty.</u>	<u>Description</u>
1	822752	1	Sensor Activated Fire Extinguishing (S.A.F.E.) System Temperature Probe Assembly (includes illus. nos. 1 through 3 and 5)
2	154007	2	Push On Fastener
3	390390	1	Sensor Bracket ONLY
4	150301	2	#8-18 x 7/16" Phillips Pan Head TEK Screw
5	122647	1	Connector ONLY ( <b>does not</b> include terminals)



<u>Illus. No.</u>	<u>Part No.</u>	<u>Qty.</u>	<u>Description</u>
1	165114	1	Sensor Activated Fire Extinguishing (S.A.F.E.) System Solenoid Valve 24V
2	143220	1	3/8" F.P.T. Brass Tee
3	143251	1	3/8" M.P.T. Brass Plug
4	143208	2	3/8" Comp x 3/8" M.P.T. Brass Connector
5	143099*	6'	3/8" OD x 0.035 Wall Copper Tubing
6	311588	1	Sprinkler Head Mounting Plate
7	143303	1	3/8" N.P.T. Brass Lock Nut
8	143155	1	3/8" Brass Elbow 90°
9	150430	2	#10 x 1/2" Self Drilling Screw
10	150301	2	#8-18 x 7/16" Phillips Pan Head TEK Screw
11	143581	1	3 GPM 3/8" F.P.T. Spray Nozzle
12	142888	1	1/2" x 3/8" Bushing
13	824081	1	R.C. Network Assembly

\* Sold by the foot.



<u>Illus. No.</u>	<u>Part No.</u>	<u>Qty.</u>	<u>Description</u>
1	322809	1	Back Electrical Box Cover
2	150301	4	#8-18 x 7/16" Phillips Pan Head TEK Screw
3*	314424	1	Gas Top Back Guard
	322075	1	Electric Top Back Guard (for dual timer models Only)
	322841	1	Electric Top Back Guard (for micro models Only)
4	150301	7	#8-18 x 7/16" Phillips Pan Head TEK Screw
5	150300	10	#10-16 x 1/2" Hex Washer TEK Screw
6*	312545	1	Outer Top (for <b>ALL</b> dual timer and gas micro models Only)
	322154	1	Outer Top (for electric micro models Only)
7	322082	1	Bottom Back Guard
8	150301	13	#8-18 x 7/16" Phillips Pan Head TEK Screw
9	103500	4	Leveling Leg

\* There is no outer top or top back guard on steam models.



**For Micro Models ONLY**

Kw	Voltage	Phase	Wire	Oven Assembly*	Element			Oven Wire with Crimp Terminal			Terminal Lug		Bus Bar P/N: 121011	Oven Relay	
					Qty	Kw	Part No.	Qty	Size	Part No.	Qty	Part No.		Cat. No.	Part No.
20	380	3ø	3 or 4	824052	6	4	120009	1	#8	882558	1	121010	1	DPA33	131352
18	416	3ø	3	846960	6	3	120007	1	#8	882558	1	121010	1	DPA33	131352

\* When ordering oven assembly complete, specify 3 or 4 wire when applicable.

Kw	Voltage	Phase	Wire	Oven Assembly	Element			Oven Wire			Terminal Lug		Bus Bar P/N: 121011	Oven Relay	
					Qty	Kw	Part No.	Qty	Size	Part No.	Qty	Part No.		Cat. No.	Part No.
24	460/480	3Ø	3 or 4	824951	6	4	120009	1	#8	882559	1	121010	2	DPA33	131352
24	416	3Ø	3 or 4	826394	6	4	120009	1	#8	882558	1	121010	1	DPA33	131352
24	240	3Ø	3	883557	6	4	120009	1	#6	882556	1	121010	1	DPA63	131369
24	208	3Ø	3 or 4	824915	6	4	120008	1	#4	882553	1	121010	1	DPA73	131376
20	380	3Ø	3 or 4	826243	6	4	120007	1	#8	882558	1	121010	1	DPA33	131352
20	240	1Ø	2	883559	5	4	120009	1	#4	882552	1	121010	2	DPA93	131358
20	208	1Ø	2	883561	5	4	120008	1	#2	883384	1	121010	2	DPA93	131358
18	460/480	3Ø	3 or 4	883560	6	3	120007	1	#8	882559	1	121010	2	DPA33	131352
18	416	3Ø	3 or 4	826389	6	3	120007	1	#8	882558	1	121010	1	DPA33	131352
18	240	3Ø	3	883562	6	3	120007	1	#8	882558	1	121010	2	DPA43	131357
18	240	1Ø	2	883558	6	3	120007	1	#4	882552	1	121010	2	DPA73	131376
18	208	3Ø	3 or 4	824914	6	3	120006	1	#6	882556	1	121010	2	DPA53	131359
18	208	1Ø	2	883563	6	3	120006	1	#2	883384	1	121010	2	DPA93	131358
15	380	3Ø	3 or 4	826389	6	3	120007	1	#8	882558	1	121010	1	DPA33	131352

---

<u>Part No.</u>	<u>Description</u>
114006	“WARNING - Fire Hazards” Label
112280	“Clean Lint Screen” Label
114001	“CAUTION - Exhaust/Lint Screen” Label
114521	“Phase 7 OPL Program Location Summary” Label
120100	3/8” Straight (BX) Connector
120300	3/8” x 45° (BX) Connector
120400	3/8” Red Jacket (BX) Insulator
120500	3/8” Jiffy Clip (BX) Retainer Clip
120600	3/8” Greenfield (BX)
120707	(2-Position) Terminal Strip
120708	(3-Position) Terminal Strip
120800	1/4” In-Line Connector
120802	Red Butt Connector
120902	#74B Wire Nut
120903	Crimp-On Wire Nut
121014	1/4” Insulated (female) Terminal
121026	Tab Receptacle Combination
121499	5-1/2” Harness Tie
121500	8” Harness Tie
122804	Manometer (hydro gauge) for Measuring Gas Pressure
404500	Almond Brush-In-Cap Bottle Touch-Up Paint
404502	White Brush-In-Cap Bottle Touch-Up Paint
404513	Wrinkle Blue Brush-In-Cap Bottle Touch-Up Paint

