



# **AD-360X2**

# **Parts Manual**

---

---

**American Dryer Corporation**  
88 Currant Road  
Fall River, MA 02720-4781  
Telephone: (508) 678-9000 / Fax: (508) 678-9447  
E-mail: [techsupport@amdry.com](mailto:techsupport@amdry.com)  
[www.amdry.com](http://www.amdry.com)

# Retain This Manual In A Safe Place For Future Reference

American Dryer Corporation products embody advanced concepts in engineering, design, and safety. If this product is properly maintained, it will provide many years of safe, efficient, and trouble-free operation.

*ONLY qualified technicians should service this equipment.*

**OBSERVE ALL SAFETY PRECAUTIONS** displayed on the equipment or specified in the installation manual included with the dryer.

The following “**FOR YOUR SAFETY**” caution **must be** posted near the dryer in a prominent location.

**FOR YOUR SAFETY**

Do not store or use gasoline or other flammable vapors or liquids in the vicinity of this or any other appliance.

**POUR VOTRE SÉCURITÉ**

Ne pas entreposer ni utiliser d'essence ni d'autres vapeurs ou liquides inflammables dans le voisinage de cet appareil ou de tout autre appareil.

We have tried to make this manual as complete as possible and hope you will find it useful. **ADC** reserves the right to make changes from time to time, without notice or obligation, in prices, specifications, colors, and material, and to change or discontinue models.

## Important

For your convenience, log the following information:

**DATE OF PURCHASE** \_\_\_\_\_ **MODEL NO.** AD-360X2

**RESELLER'S NAME** \_\_\_\_\_

**Serial Number(s)** \_\_\_\_\_

\_\_\_\_\_

\_\_\_\_\_

Replacement parts can be obtained from your reseller or the **ADC** factory. When ordering replacement parts from the factory, you can FAX your order to **ADC** at (508) 678-9447 or telephone your order directly to the **ADC** Parts Department at (508) 678-9000. Please specify the dryer **model number** and **serial number** in addition to the **description** and **part number**, so that your order is processed accurately and promptly.

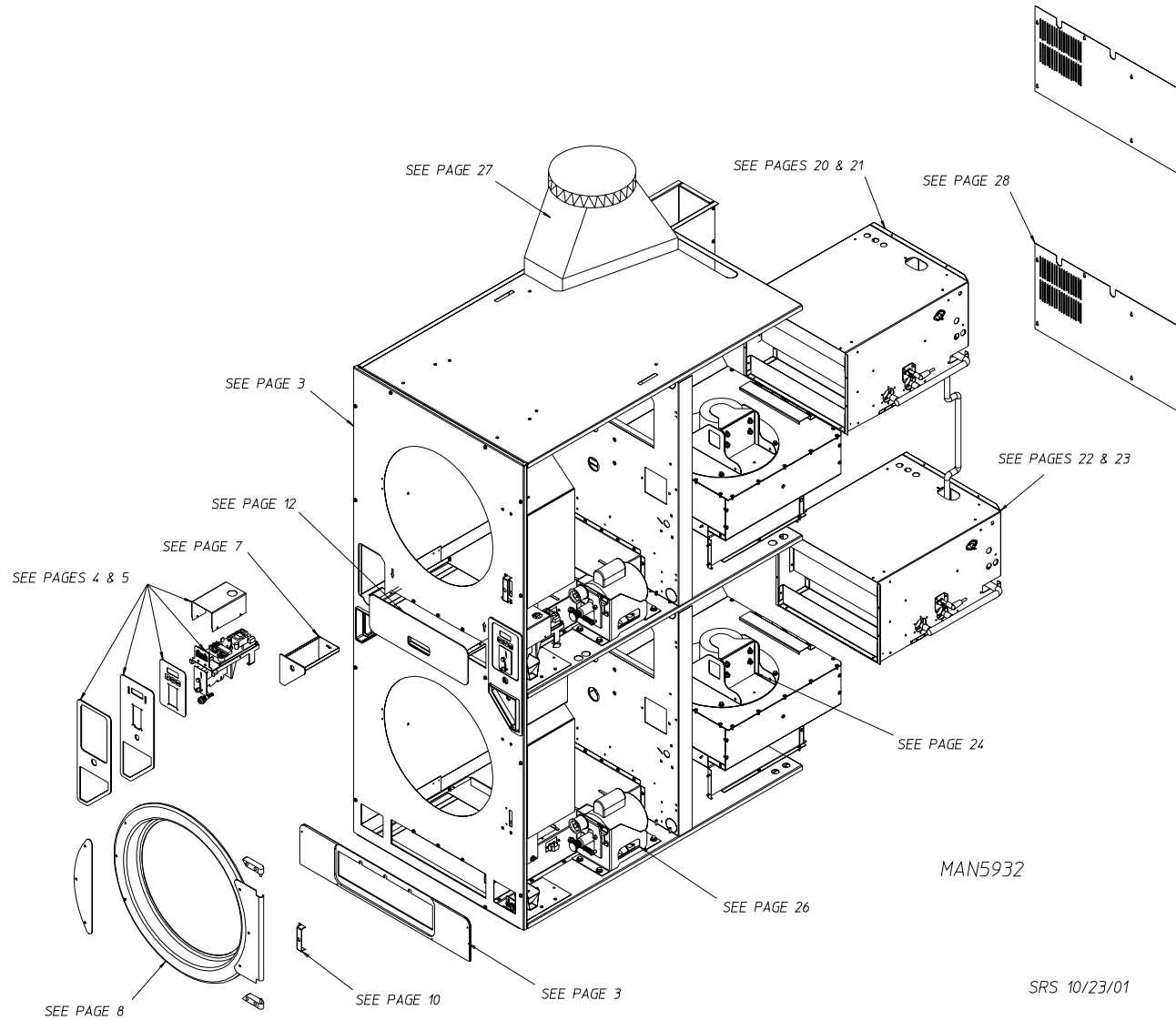
The illustrations on the following pages may not depict your particular dryer exactly. The illustrations are a composite of the various dryer models. Be sure to check the descriptions of the parts thoroughly before ordering.

**“IMPORTANT NOTE TO PURCHASER”**

Information **must be** obtained from your local gas supplier on the instructions to be followed if the user smells gas. These instructions **must be** posted in a prominent location near the dryer.

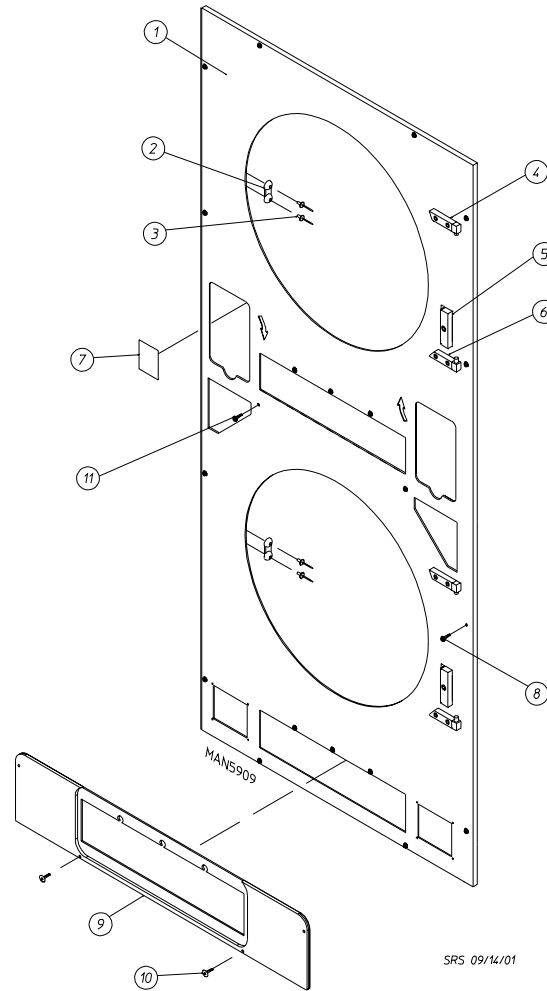
# Quick Reference Diagram

For Detailed Information See The Table Of Contents On Next Page.



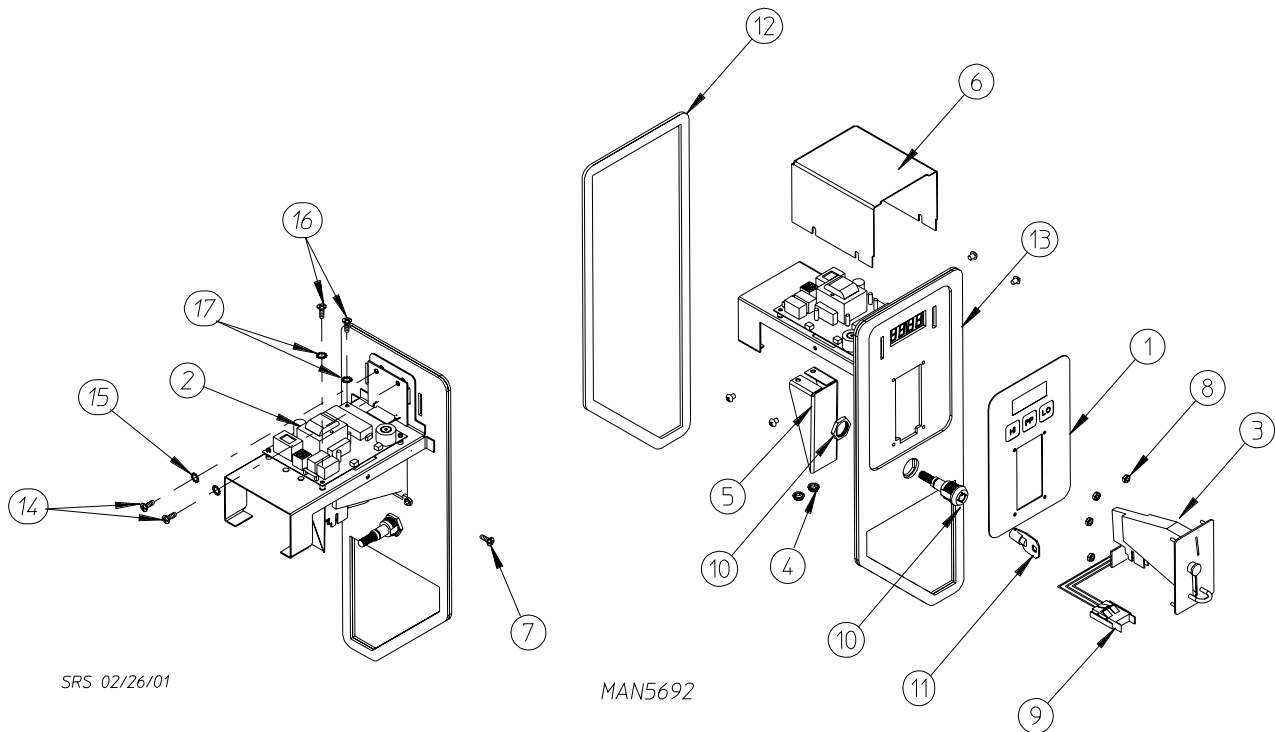
# ***Table of Contents***

Front Panel Assembly .....	3
Right Coin Computer Panel Type II .....	4
Left Coin Computer Panel Type II .....	5
Coin Chute Assembly .....	6
Coin Box/Vault Assembly (Left and Right) .....	7
Main Door “Steel” Assembly .....	8, 9
Main Door Switch Assembly .....	10
Basket (Tumbler)/Support Assemblies .....	11
Top Locking Lint Basket Assembly .....	12
Bottom Locking Lint Basket Assembly .....	13
Separator Assembly .....	14
Rotational Sensor/Sail Switch and Teflon® Backup Washer Plate .....	15
Lint Coop and Adjustment Wheel Bracket Assembly .....	16
Left Rear Wheel Bracket (3-Bolt) .....	17
Right Rear Wheel Bracket (3-Bolt) .....	18
Microprocessor Temperature Sensor Bracket Assembly .....	19
Top Burner Box Assembly .....	20, 21
Bottom Burner Box Assembly .....	22, 23
Blower Motor Assembly .....	24
Rear Electrical Panel .....	25
Drive Motor/Motor Mount Assemblies .....	26
Exhaust Duct Assembly .....	27
Rear Back Guard Assembly .....	28
Wrapper Gasket .....	29

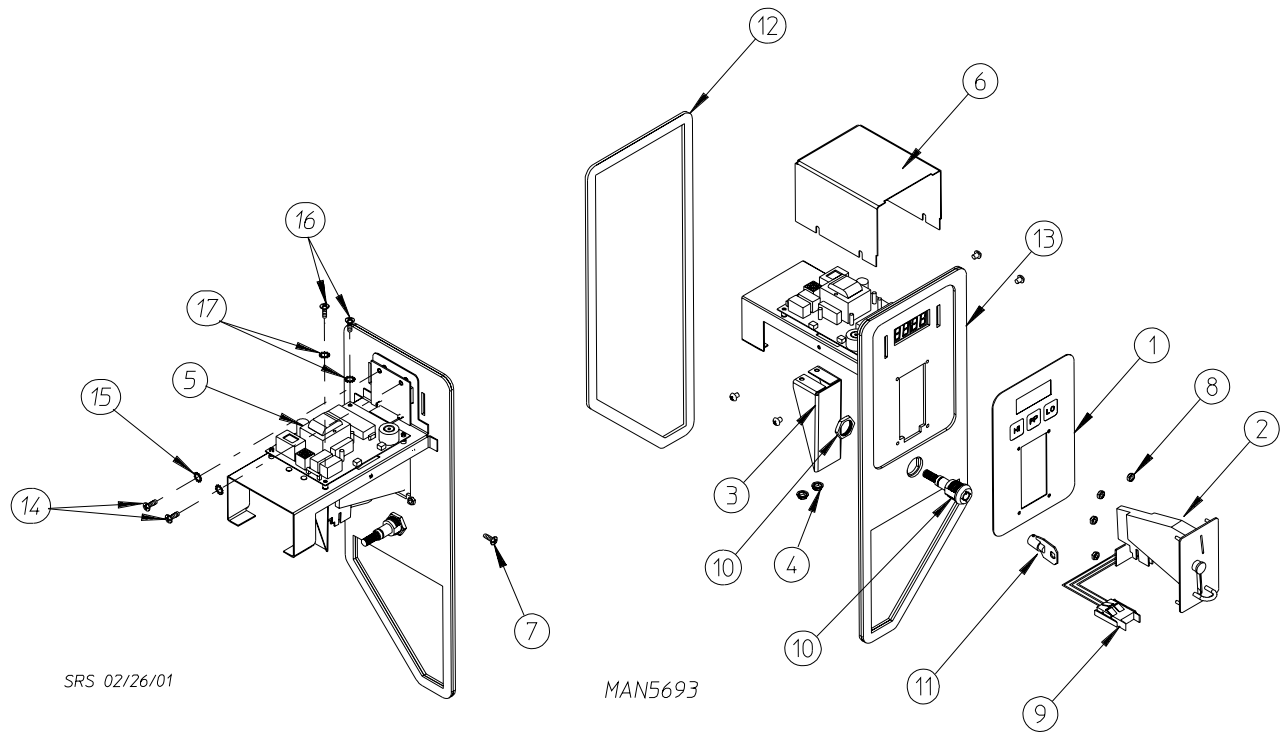


SRS 09/14/01

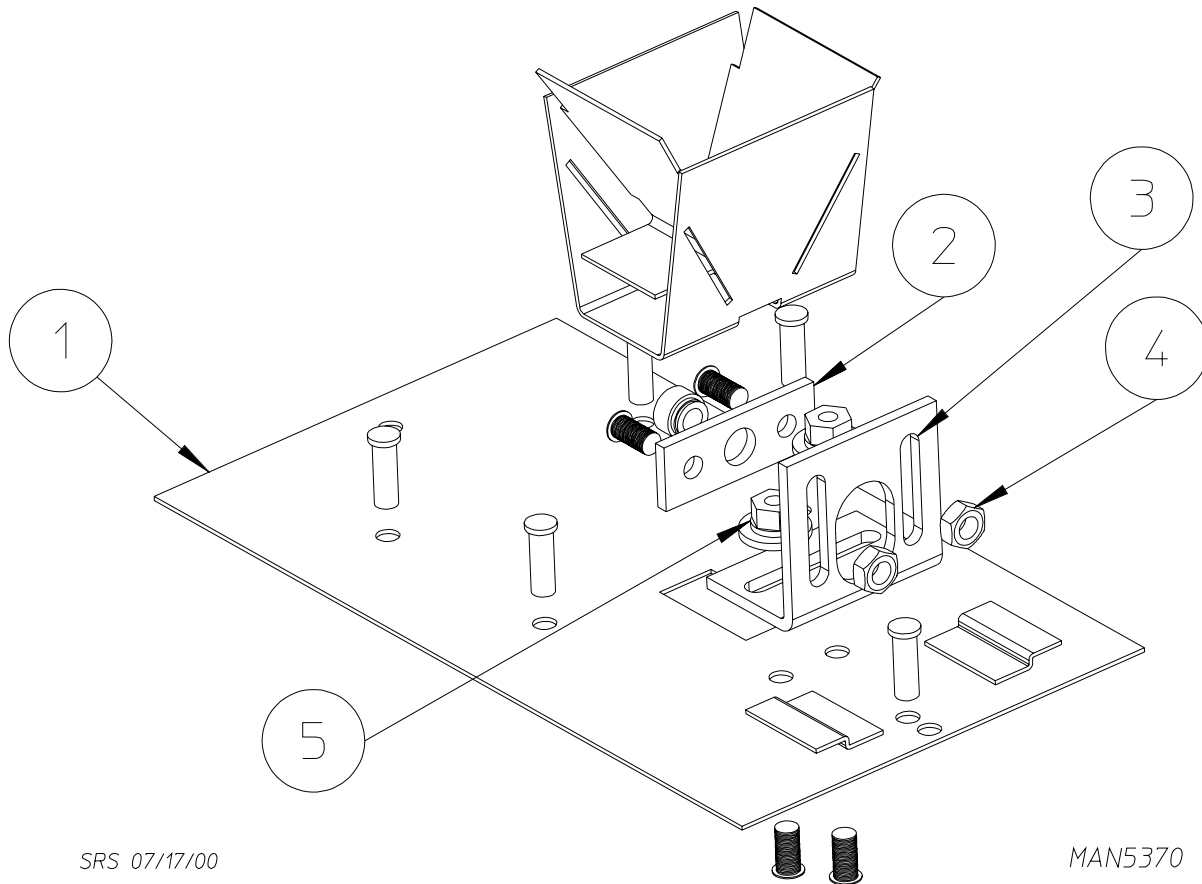
Illus. No.	Part No.	Qty.	Description
1	883144	1	White Right Hand Front Panel Assembly (includes illus. nos. 1, 2, 3, and 7)
	883149	1	Bisque Right Hand Front Panel Assembly (includes illus. nos. 1, 2, 3, and 7)
	883159	1	Stainless Steel Right Hand Front Panel Assembly (includes illus. nos. 1, 2, 3, and 7)
2	881987	2	Friction Door Latch Kit (includes illus. nos. 2 and 3)
3	154215	4	5/32 x 1/4" Rivet
4	-----	1	Top Hinge Block Assembly (refer to <b>Main Door "Steel" Assembly</b> on <b>page 8</b> )
5	-----	1	Main Door Switch (refer to <b>Main Door Switch Assembly</b> on <b>page 10</b> )
6	-----	1	Bottom Hinge Block Assembly (refer to <b>Main Door "Steel" Assembly</b> on <b>page 8</b> )
7	354267	2	Arrow Backup Plate
8	150517	10	#10-16 x 1-1/2" Hex Head TEK Screw
9	882798	1	Black Kick Plate
10	150311	2	#10-16 x 3/4" Hex Head TEK Crimptite Screw
11	150309	8	#10-16 x 1/2" Hex Head TEK Screw



<u>Illus. No.</u>	<u>Part No.</u>	<u>Qty.</u>	<u>Description</u>
1	112574	1	Keyboard (touch pad)
2	137251	1	Computer Board with Display
3	883134	1	25¢ U.S. Hanke Coin Acceptor with Optic Switch
4	151001	2	#8-32 Pal Nut
5	354192	1	Optic Switch Protector
6	354260	1	Computer Cover
7	150201	4	#10-32 x 1/4" Phillips Pan Head Tap Screw
8	150102	4	Hanke Acceptor M3 Metric Hex Nut
9	883067	1	Hanke Optic Switch Assembly
10	182621	1	Control Panel Lock with Key
11	182628	1	Key ONLY (specify key number when ordering)
12	117603	4	1/8" x 9/16" Noise Suppressor Tape
13	883019	1	Right Computer Panel ONLY Type II
14	150005	2	#6-32 x 1/4" Phillips Right Hand Machine Screw
15	153010	2	#6 Star Washer
16	150005	2	#6-32 x 1/4" Phillips Right Hand Machine Screw
17	153010	2	#6 Star Washer

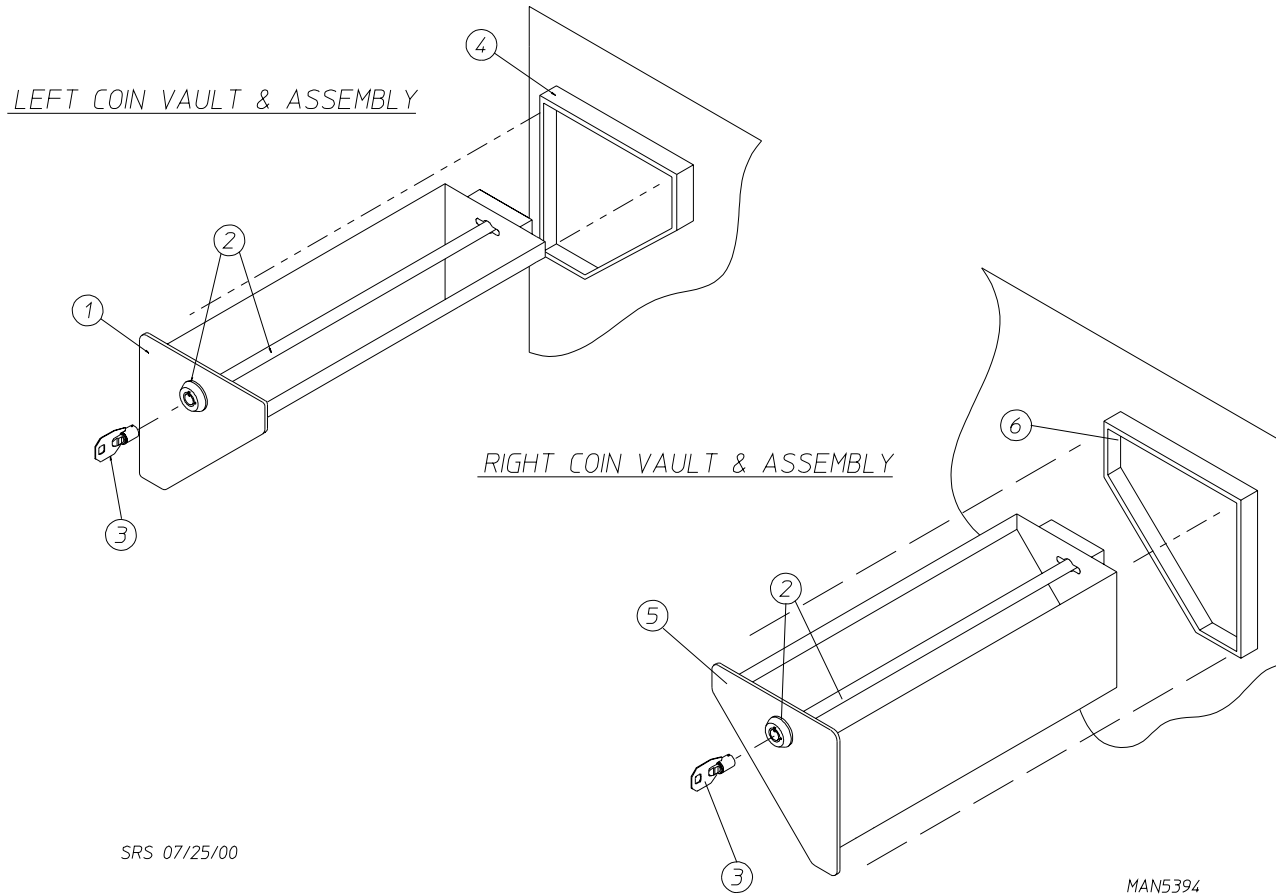


<u>Illus. No.</u>	<u>Part No.</u>	<u>Qty.</u>	<u>Description</u>
1	112574	1	Keyboard (touch pad)
2	883134	1	25¢ U.S. Hanke Coin Acceptor with Optic Switch
3	354192	1	Optic Switch Protector
4	151001	2	#8-32 Pal Nut
5	137251	1	Computer Board with Display
6	354260	1	Computer Cover
7	150201	4	#10-32 x 1/4" Phillips Pan Head Tap Screw
8	150102	4	Hanke Acceptor M3 Metric Hex Nut
9	883067	1	Hanke Optic Switch Assembly
10	182621	1	Control Panel Lock with Key
11	182628	1	Key ONLY (specify key number when ordering)
12	117603	4	1/8" x 9/16" Noise Suppressor Tape
13	883018	1	Left Computer Panel ONLY Type II
14	150005	2	#6-32 x 1/4" Phillips Right Hand Machine Screw
15	153010	2	#6 Star Washer
16	150005	2	#6-32 x 1/4" Phillips Right Hand Machine Screw
17	153010	2	#6 Star Washer



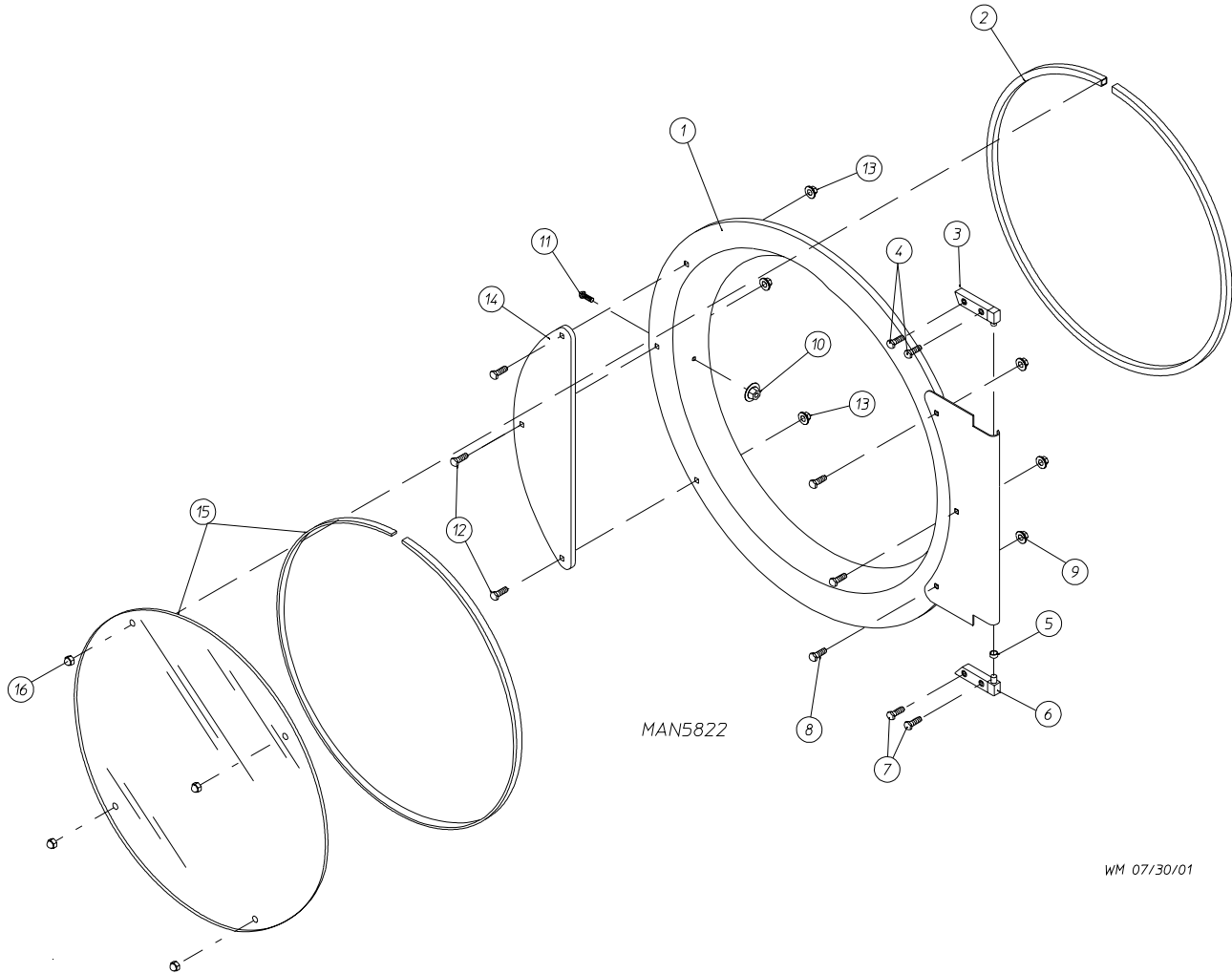
<u>Illus. No.</u>	<u>Part No.</u>	<u>Qty.</u>	<u>Description</u>
1	882715	1	Coin Chute
2	882937	1	Control Panel Lock Plate
3	354180	1	Control Panel Lock Bracket
4	152002	2	1/4-20 Hex Nut
5	152014	2	1/4-20 Free Spin Wash Nut



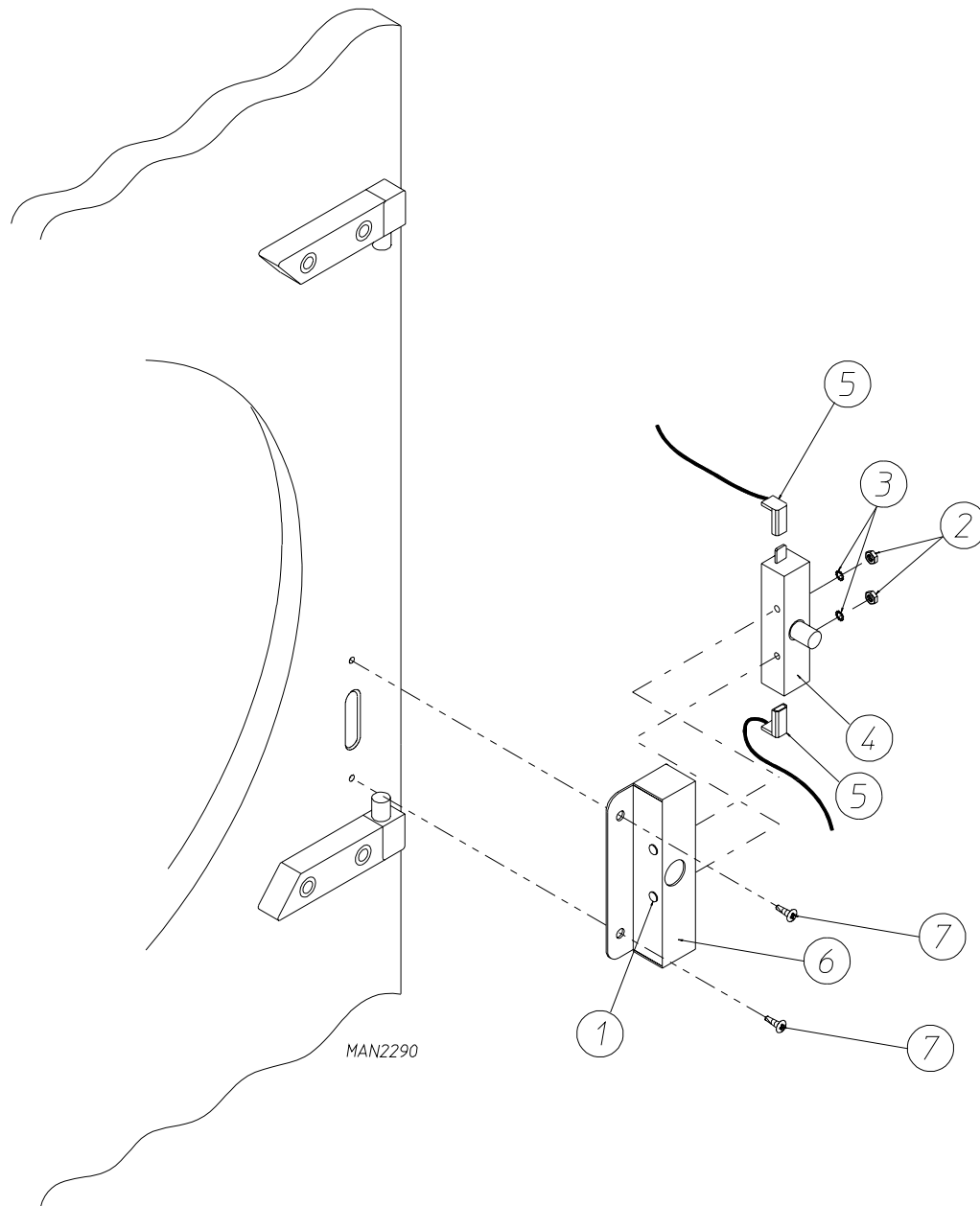


<u>Illus. No.</u>	<u>Part No.</u>	<u>Qty.</u>	<u>Description</u>
1	882740	1	Black Left/Right Coin Box Face Plate ONLY
	882745	1	Left Coin Box with Black Face Plate (less lock)
2	882672	1	Coin Box Lock Kit (includes 2 locks "keyed alike")
3	160136*	1	Coin Box Lock Key ONLY
4	882742	1	Black Left Coin Vault ONLY
5	882740	1	Black Left/Right Coin Box Face Plate ONLY
	882746	1	Right Coin Box with Black Face Plate (less lock)
6	882741	1	Black Right Coin Vault ONLY

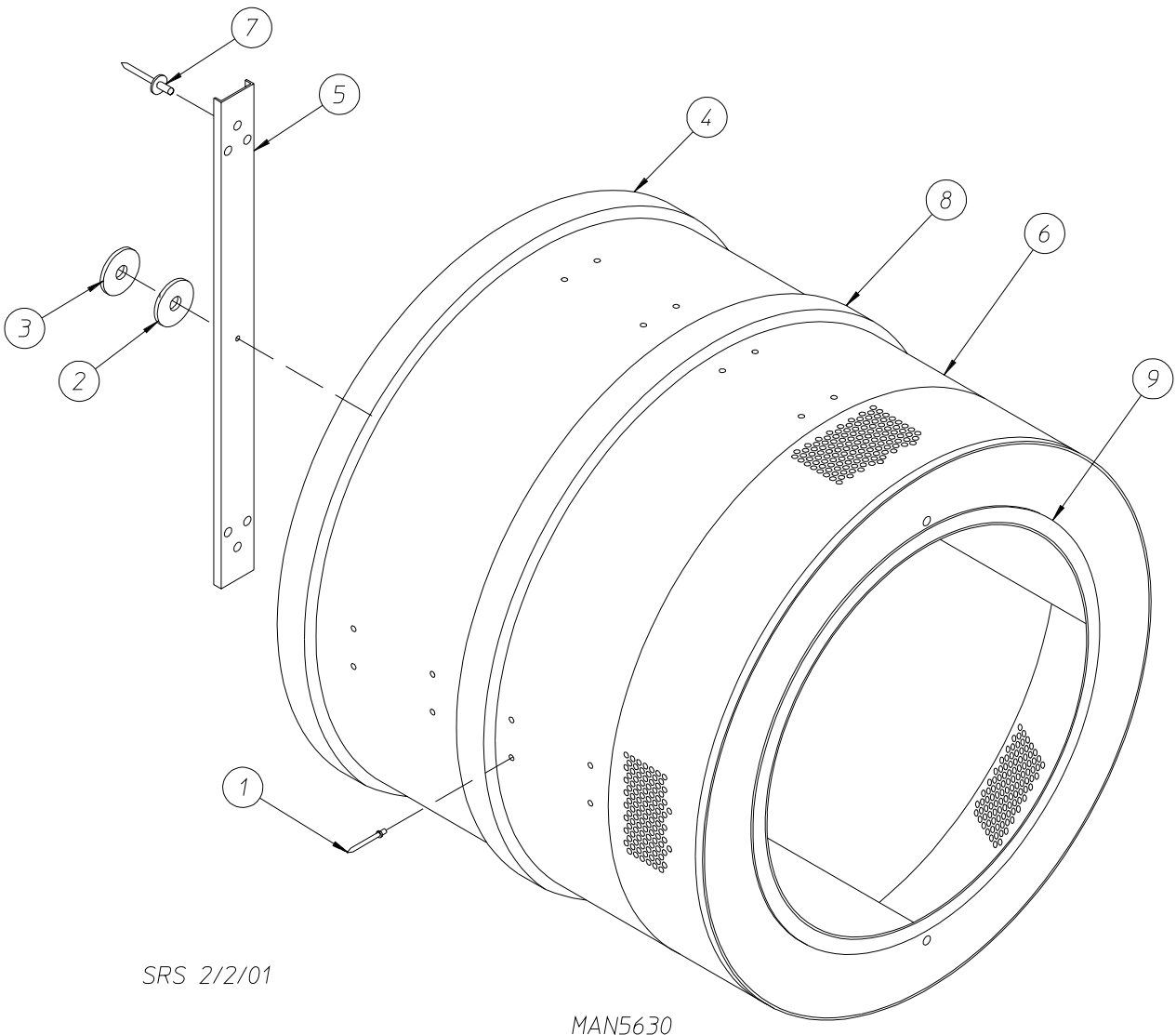
\* Specify key number when ordering.



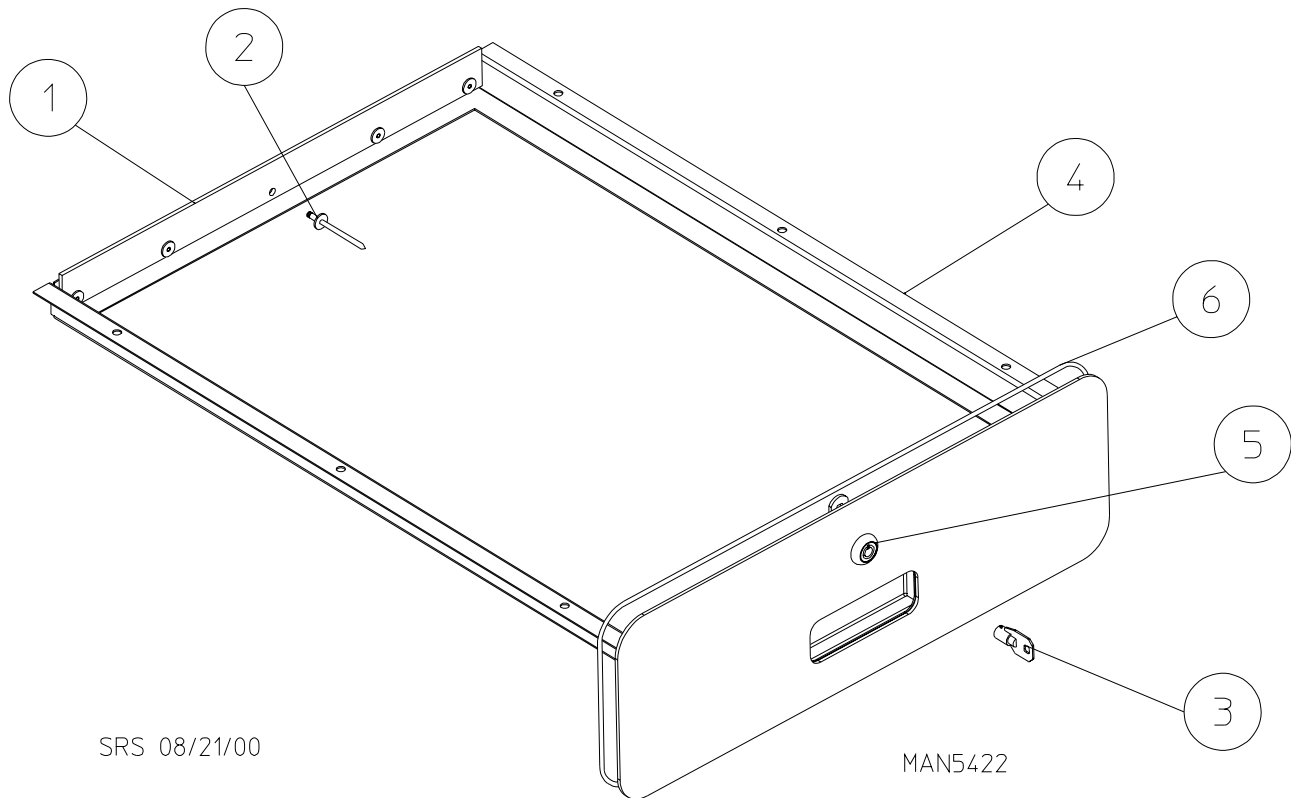
<u>Illus. No.</u>	<u>Part No.</u>	<u>Qty.</u>	<u>Description</u>
1	881150	1	Black Main Door Assembly Complete (includes illus. nos. 1, 2, and 8 through 15)
	881207	1	Stainless Steel Main Door Assembly Complete (includes illus. nos. 1, 2, and 8 through 15)
2	102354	1	Door Gasket
	170730	1	Clear Glass Adhesive (10.3 oz. cartridge)
	170731		Black Glass Adhesive (10.3 oz. cartridge)
3	881152	1	Black Top Hinge Block Assembly (includes illus. nos. 3 and 4)
	881208	1	Stainless Steel Top Hinge Block Assembly
4	150445	2	1/4-20 x 3/4" Black Cap Head Setscrew
5	153031	1	1/4" Nylon Washer
6	881151	1	Black Bottom Hinge Block Assembly (includes illus. nos. 5, 6, and 7)
	881209	1	Stainless Steel Bottom Hinge Block Assembly
7	150445	2	1/4-20 x 3/4" Black Cap Head Setscrew
	150443	2	1/4-20 x 3/4" Stainless Steel Cap Head Setscrew
8	150683	3	1/4-20 x 5/8" Black Carriage Bolt
	150682	3	1/4-20 x 5/8" Stainless Steel Carriage Bolt (for models with stainless steel doors)
9	152014	3	1/4-20 Free Spin Wash Nut
10	151010	1	#10-32 Black Hex Acorn Nut
	151009	1	#10-32 Stainless Steel Hex Acorn Nut
11	150120	1	Door Latch Screw
12	150683	3	1/4-20 x 5/8" Black Carriage Bolt
	150682	3	1/4-20 x 5/8" Stainless Steel Carriage Bolt (for models with stainless steel doors)
13	152014	3	1/4-20 Free Spin Wash Nut
14	881210	1	Black Main Door Handle ONLY
	170333	1	Stainless Steel Main Handle ONLY
15	102218	1	20-7/16" Door Glass
	102360	1	Glass/Door Gasket Tape (for models mfd. as of February 9, 2001)
	170731	1	Black Glass Adhesive (10.3 oz. cartridge) For Models Mfd. prior to February 9, 2001
16	151013	4	#10-32 Black Nylon Acorn Nut



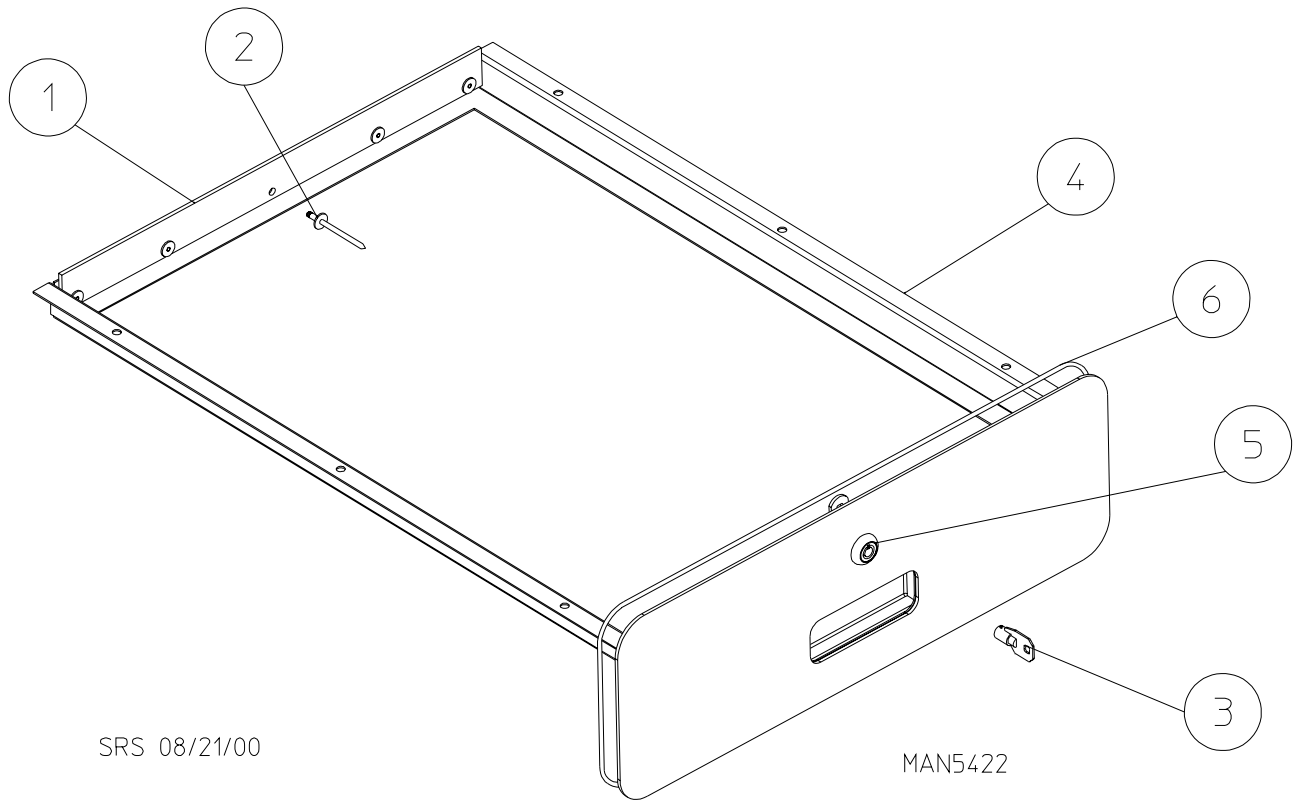
<u>Illus. No.</u>	<u>Part No.</u>	<u>Qty.</u>	<u>Description</u>
1	153566	2	#6-32 x 7/8" Clinch Stud
2	152013	2	#6-32 Hex Nut
3	153010	2	#6 Star Washer
4	137005	1	Door Switch
5	122636	2	Flag Terminal
6	881211	1	Black Main Door Switch Housing ONLY
	353209	1	Stainless Steel Main Door Switch Housing ONLY
	881153	1	Black Main Door Switch Housing Complete (includes illus. nos. 1, 2, 3, 4, and 6)
	800474	1	Stainless Steel Main Door Switch Housing Complete (includes illus. nos. 1, 2, 3, 4, and 6)
7	150301	2	#8-18 x 7/16" Phillips Pan Head TEK Screw



<u>Illus. No.</u>	<u>Part No.</u>	<u>Qty.</u>	<u>Description</u>
1	154210	40	5/32" x 3/16" Pop Rivet
2	354217	1	Spacer Plate
3	153048	1	Inner Friction Teflon® Pad
4	116332	1	94" x 2-1/2" x 1/8" Felt Collar
5	882765	1	One Arm Basket (tumbler) Support Assembly (includes illus. nos. 2, 3, and 5)
6	882766	1	Basket (tumbler) Assembly For One Arm Basket (tumbler) Support (includes illus. nos. 1, 4, and 9)
	882990	1	One Arm Basket (tumbler) and Support Assembly Complete (includes illus. nos. 1 through 7 and 9)
7	154210	6	5/32" x 3/16" Pop Rivet
8	100191	1	12 Rib 105" Long (J) High Temperature Belt
9	115992	1	Inner Ring Felt Collar
	401010	1	#847 Adhesive For Felt Collar (5 oz. tube)



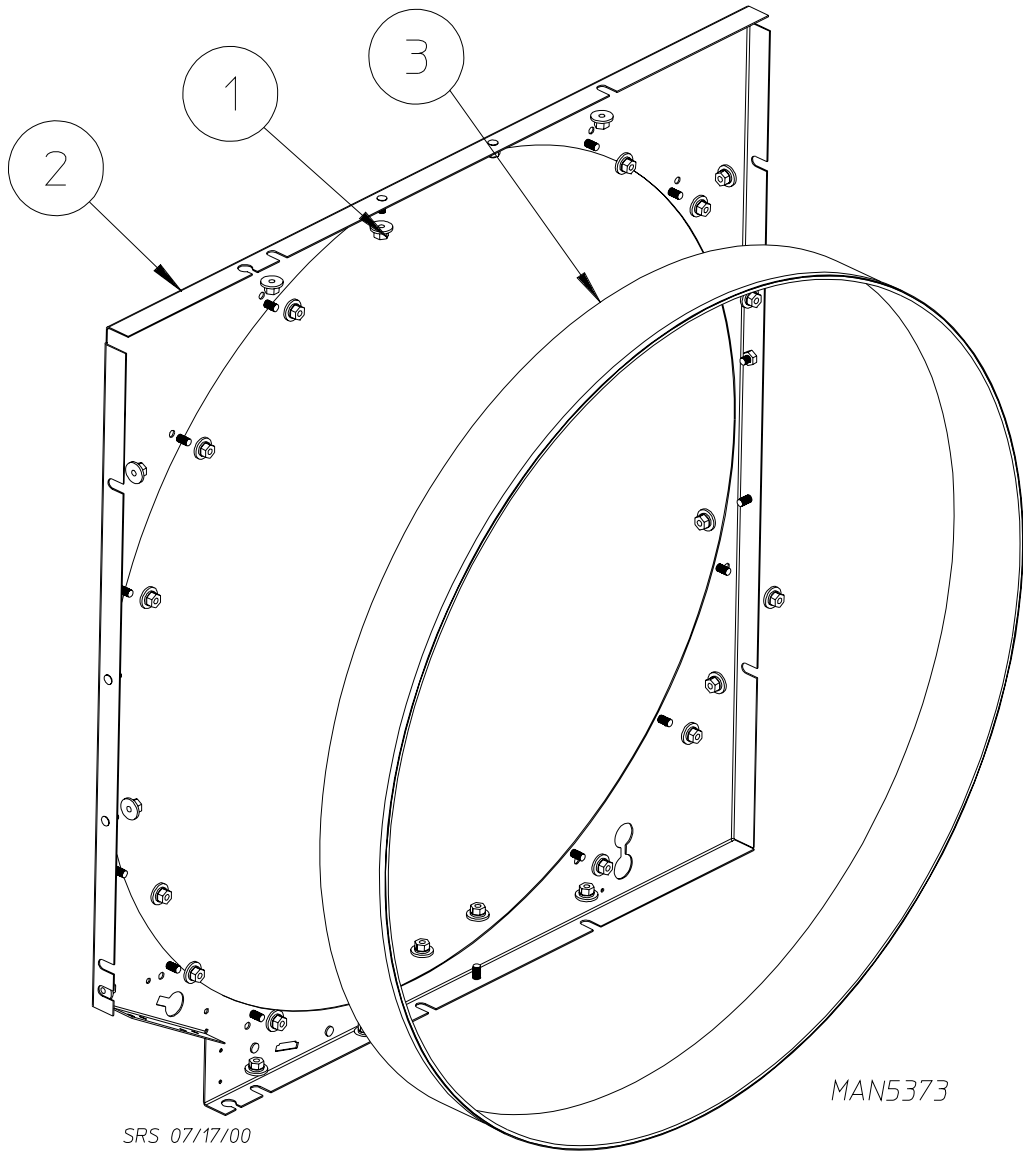
<u>Illus. No.</u>	<u>Part No.</u>	<u>Qty.</u>	<u>Description</u>
1	115904	1	Lint Basket Felt
2	154210	5	5/32" x 3/16" Pop Rivet
3	160140	1	Key ONLY For XX4451
4	882787	1	Top Locking Lint Basket with Lock (white) (includes illus. nos. 1 through 5)
	882794	1	Top Locking Lint Basket with No Lock (bisque) (includes illus. nos. 1, 2, and 4)
5	160038	1	Lint Basket Lock with Cam (no key)
	160050	1	Lint Basket Lock (no cam and key) For Stainless Steel ONLY
6	117605	4	1/4" x 3/8" Neoprene Sponge Tape (sold by the foot)



SRS 08/21/00

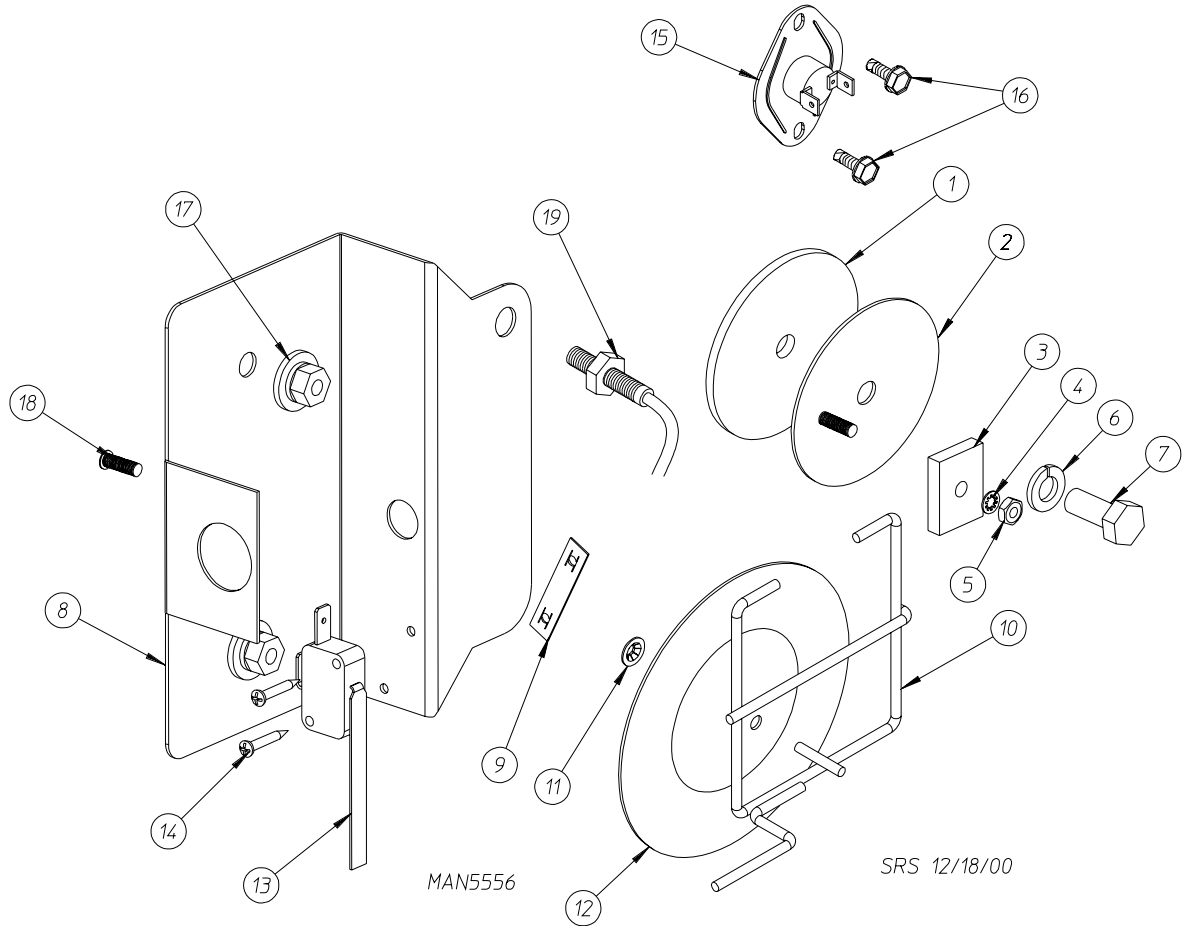
MAN5422

<u>Illus. No.</u>	<u>Part No.</u>	<u>Qty.</u>	<u>Description</u>
1	115904	1	Lint Basket Felt
2	154210	5	5/32" x 3/16" Pop Rivet
3	160140	1	Key ONLY For XX4451
4	882797	1	Bottom Locking Lint Basket Assembly with Lock (black) (includes illus. nos. 1 through 6)
	882796	1	Bottom Locking Lint Basket Assembly with No Lock (black) (includes illus. nos. 1, 2, 4, and 6)
5	160038	1	Lint Basket Lock with Cam (no key)
6	117604	4	1/8" x 3/8" Neoprene Sponge Tape (sold by the foot)

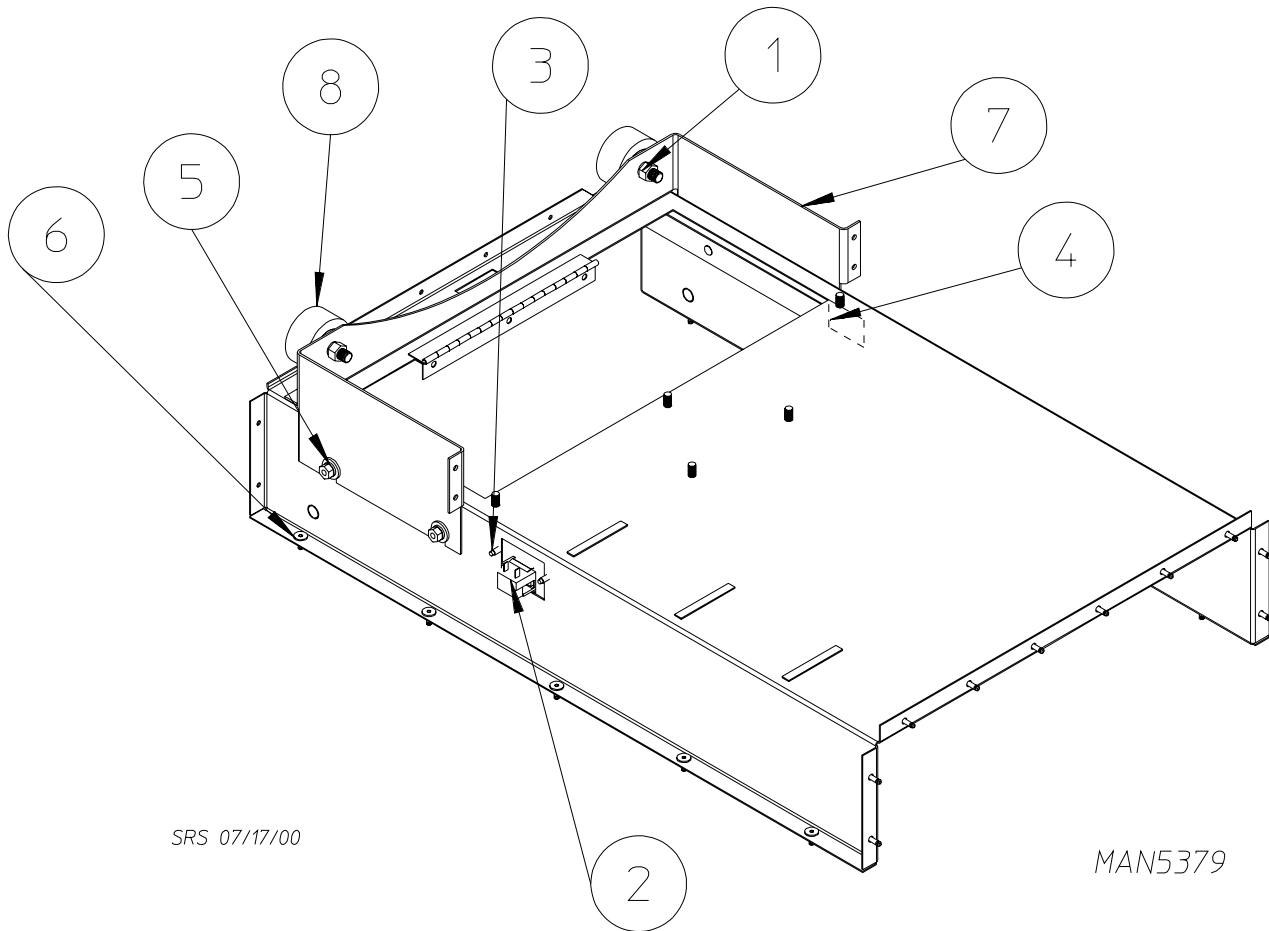


<u>Illus. No.</u>	<u>Part No.</u>	<u>Qty.</u>	<u>Description</u>
1	152014	18	1/4-20 Free Spin Wash Nut
2	882926	1	Inner Ring Separator Bracket
	882717	1	Inner Ring Separator Assembly (includes illus. nos. 1 through 3)
3	115903	1	Basket (tumbler) Separation Felt





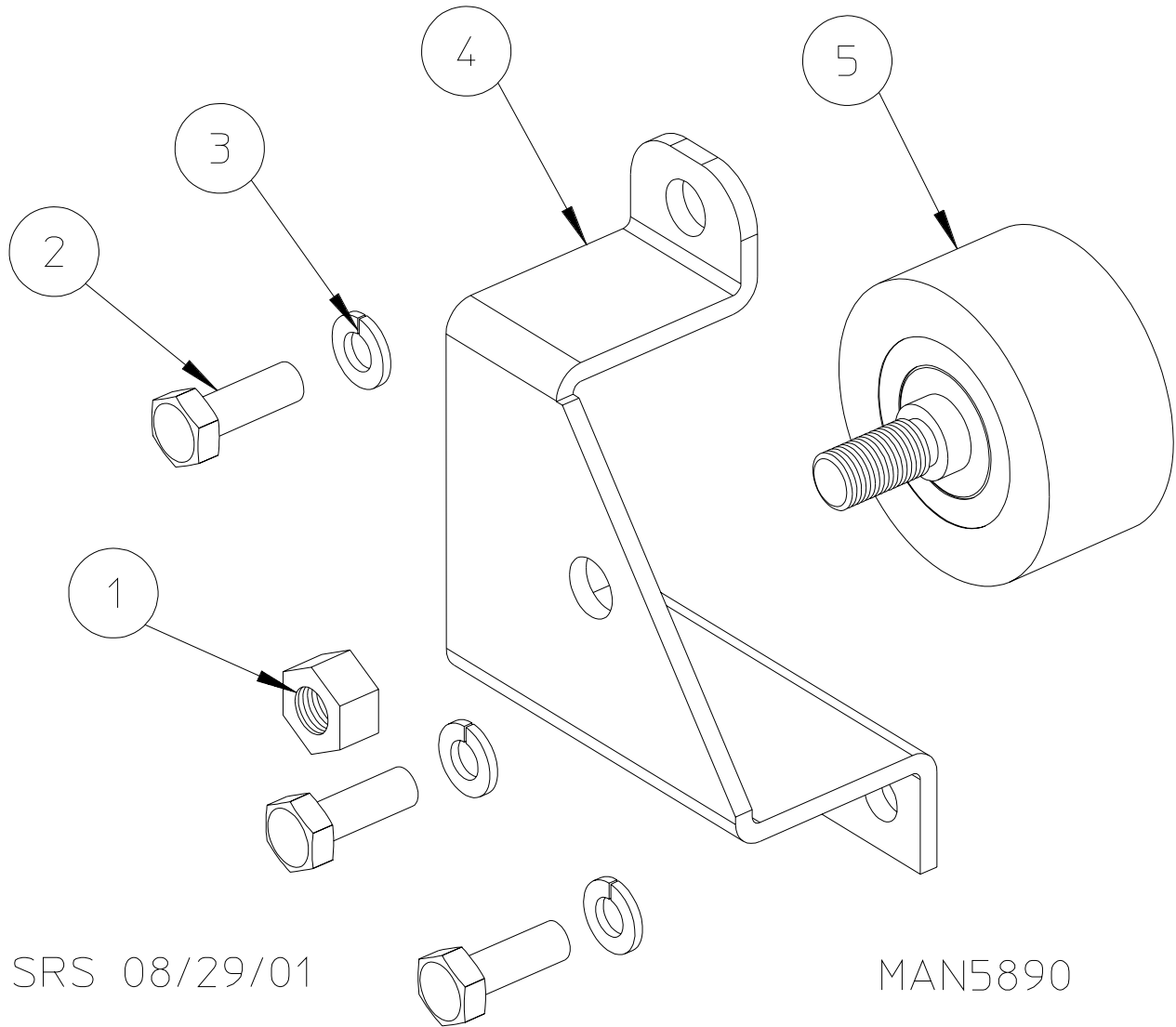
<u>Illus. No.</u>	<u>Part No.</u>	<u>Qty.</u>	<u>Description</u>
1	882747	1	Teflon® Backup Washer and Magnet Assembly (includes illus. nos. 1 through 5)
	153047	1	Outer Friction Pad
2	354203	1	Teflon® Backup Washer
3	102102	1	Magnet
4	153012	1	#8 Internal Star Washer
5	152001	1	#8-32 x 3/8" Hex Nut
6	153002	1	5/16" Split Lock Washer
7	150501	1	5/16-18 x 3/4" Tap Bolt
8	882748	1	Sail Switch and Rotational Sensor Bracket (includes illus. nos. 8, 9, 13, 14, 17, and 18)
9	154004	1	Twin Speed Nut
10	105550	1	Sail Switch Rod
11	154002	1	1/8" Push On Fastener
12	319206	1	Sail Switch Damper
13	122200	1	Sail Switch ONLY
14	150303	2	#4 x 3/4" Pan Head "A" Machine Screw
15	130102	1	190° Rear Basket (tumbler) Hi-Limit
16	150300	2	#10-16 x 1/2" Hex Washer TEK Screw
17	152014	2	1/4-20 Free Spin Wash Nut
18	153528	1	#8-32 x 1/2" Self Clinching Stud
19	824807	1	Rotational Sensor Magnetic Reed Switch



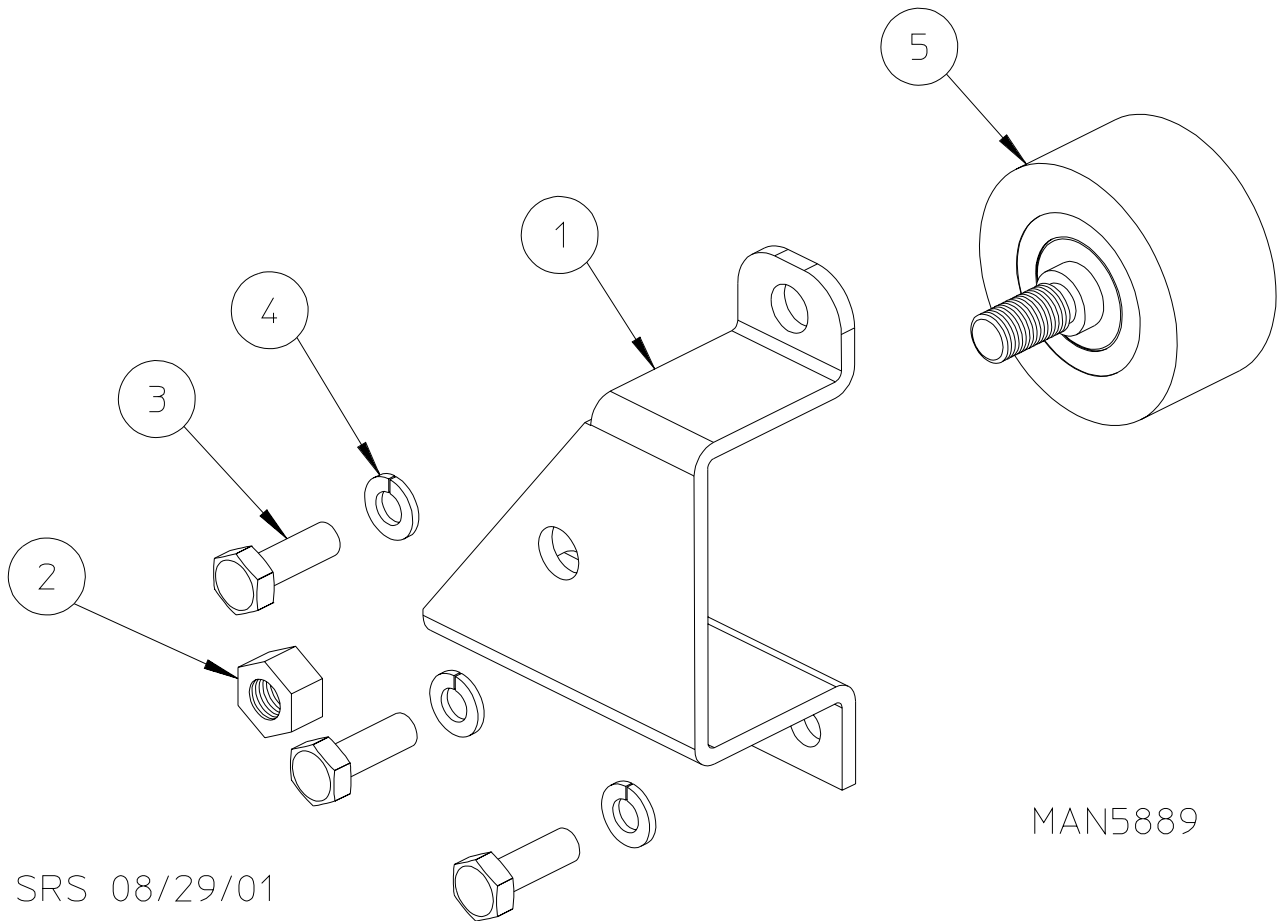
SRS 07/17/00

MAN5379

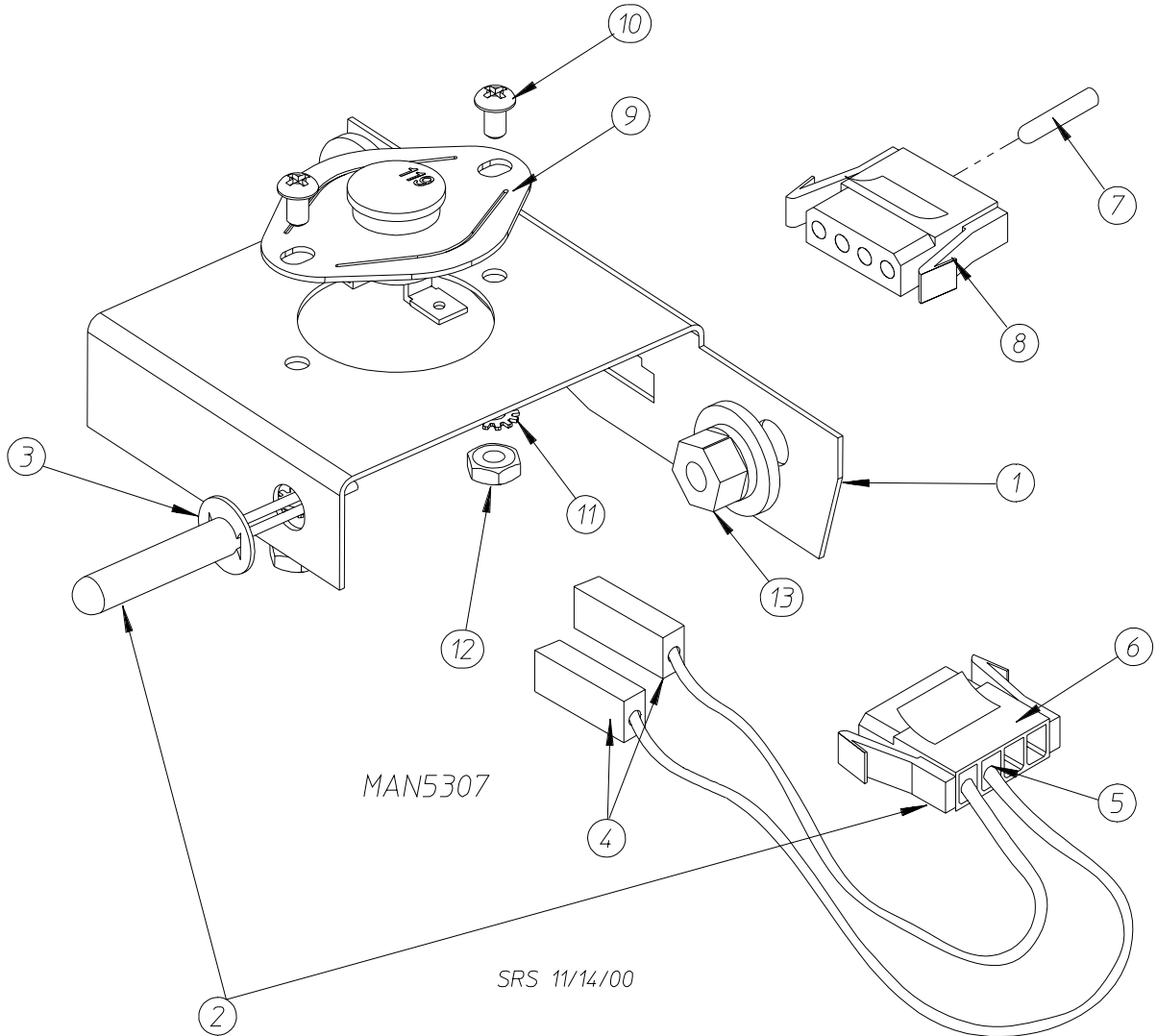
<u>Illus. No.</u>	<u>Part No.</u>	<u>Qty.</u>	<u>Description</u>
1	150220	2	3/8-24 Hex Nut
2	122002	1	Lint Drawer Switch
3	150309	2	#10-16 x 1/2" Hex Head TEK Crimptite Screw
4	882927	1	Lint Coop ONLY
	882716	1	Lint Coop Assembly Complete (includes illus. nos. 1 through 8)
5	152014	4	1/4-20 Free Spin Wash Nut
6	154210	20	5/32" x 3/16" Pop Rivet
7	354067	1	Adjustment Wheel Bracket
	883119	1	Adjustment Wheel Bracket Assembly Complete (includes illus. nos. 1, 7, and 8)
8	883101	2	Thruster Wheel (includes illus. nos. 1 and 8)



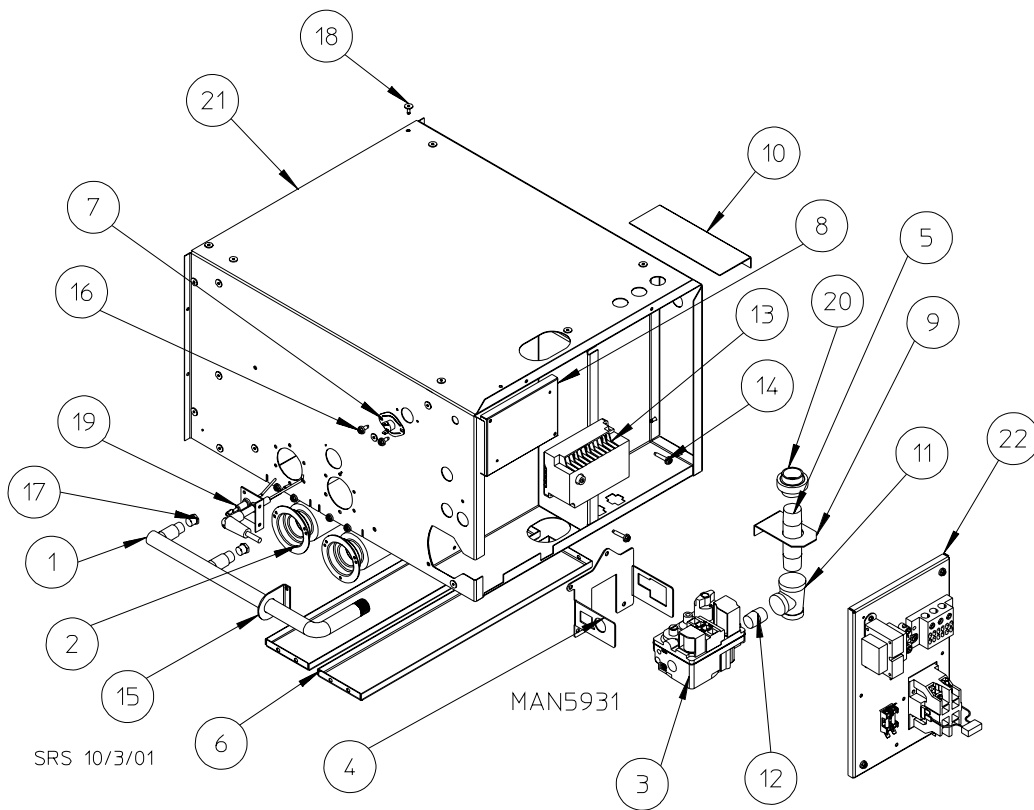
<u>Illus. No.</u>	<u>Part No.</u>	<u>Qty.</u>	<u>Description</u>
1	150220	1	3/8-24 Hex Nut
2	150510	3	1/4-20 x 3/4" Hex Head Machine Bolt
3	153007	3	1/4" Split Lock Washer
4	883004	1	Left Rear Roller Wheel Bracket ONLY (3-bolt)
	883125	1	Left Rear Roller Wheel Bracket Assembly with Hardware (3-bolt)
5	883101	1	Thruster Wheel



<u>Illus. No.</u>	<u>Part No.</u>	<u>Qty.</u>	<u>Description</u>
1	883005	1	Right Rear Roller Wheel Bracket ONLY (3-bolt)
	883126	1	Right Rear Roller Wheel Bracket Assembly with Hardware (3-bolt)
2	150220	1	3/8-24 Hex Nut
3	150510	3	1/4-20 x 3/4" Hex Head Machine Bolt
4	153007	3	1/4" Split Lock Washer
5	883101	1	Thruster Wheel



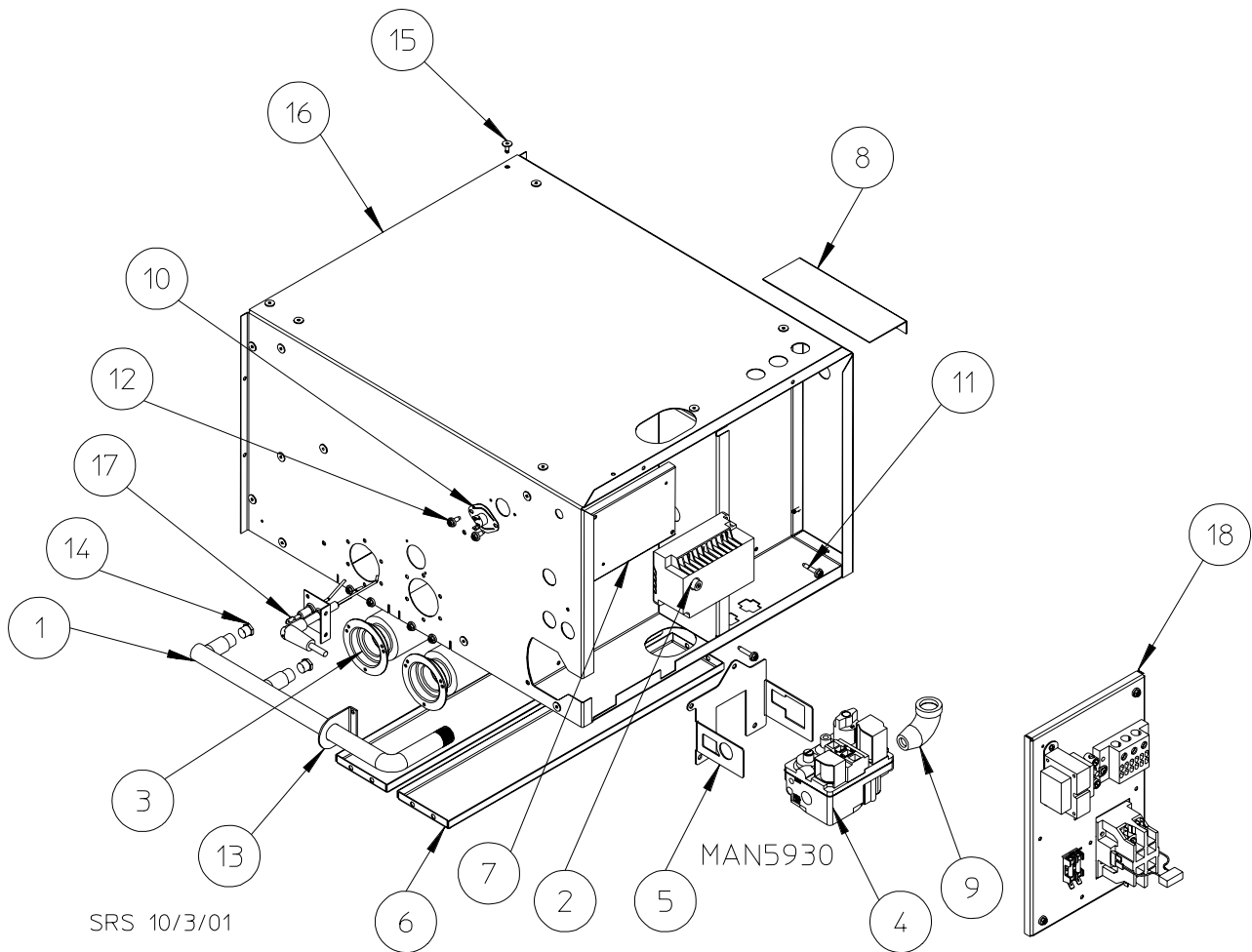
<u>Illus. No.</u>	<u>Part No.</u>	<u>Qty.</u>	<u>Description</u>
1	882682	1	Temperature Sensor Bracket Assembly Complete (includes illus. nos. 1 through 6 and 9 through 12)
	354117	1	Sensor Bracket ONLY
2	883025	1	Microprocessor Temperature Sensor Probe Assembly Complete (includes illus. nos. 2 through 6)
3	154007	1	1/4" Push On Fastener
4	121028	2	1/4" Terminal
5	122701	4	Socket Terminal ONLY
	122801	-	Pins/Socket Extraction Tool
6	122605	1	4-Position Connector (female)
7	122700	4	Pin Terminal ONLY
8	122604	1	4-Position Connector (male)
9	130119	1	190° Automatic Thermostat
10	150005	2	#6-32 x 1/4" Phillips Round Head Machine Screw
11	153010	2	#6 Star Washer
12	152013	2	#6-32 Hex Nut
13	152014	2	1/4-20 Free Spin Wash Nut



<u>Illus. No.</u>	<u>Part No.</u>	<u>Qty.</u>	<u>Description</u>
1	141138	1	Burner Manifold
2	141137	2	Stainless Steel Burner Tube
3	128927	1	1/2" 24 VAC (natural gas) Gas Valve
	880960	1	1/2" 24 VAC Liquid Propane (L.P.) Gas Valve
	140411	1	1/2" Liquid Propane (L.P.) Conversion Kit (per basket [tumbler])
	883117**	-	Liquid Propane (L.P.) Conversion Kit (includes parts to convert both top and bottom basket [tumbler] to Liquid Propane [L.P.] gas)
4	354141	1	Gas Valve Mounting Bracket
5	142710	1	3/4" x 4" Black Nipple
6	354146	2	Burner Bottom Baffle
7	130400	1	290° Burner Hi-Limit
8	354162	1	Direct Spark Ignition (DSI) Module Mounting Panel
9	354163	1	Pipe Bracket
10	354170	1	Burner Tube Hood
11	142505	1	3/4" x 1/2" x 1/2" Tee
12	142700	1	1/2" Close Nipple
13	128935	1	Direct Spark Ignition (DSI) Module with Three (3) Tries
14	150299	2	#10 x 1" Hex Washer TEK Screw
15	353222	1	Manifold Bracket
16	150300	10	#10-16 x 1/2" Hex Washer TEK Screw
17	140819	2	#30 Burner Orifice (natural gas)
18	154210	30	5/32" x 3/16" Pop Rivet
19	882451	1	Direct Spark Ignition (DSI) Ignitor/Flame-Probe with High Voltage (HV) Wire
20	142601	1	3/4" Black Union
21	882906	1	Burner Box ONLY
	883128*	1	Natural Gas Burner Assembly Complete (less orifice)
22	-----	1	Rear Electrical Panel Assembly Complete (refer to <b>Rear Electrical Panel</b> on <b>page 25</b> )

\* Burner orifice *is not included* and **must be** ordered separately.

\*\* Consult factory for elevations over 2,000 feet.



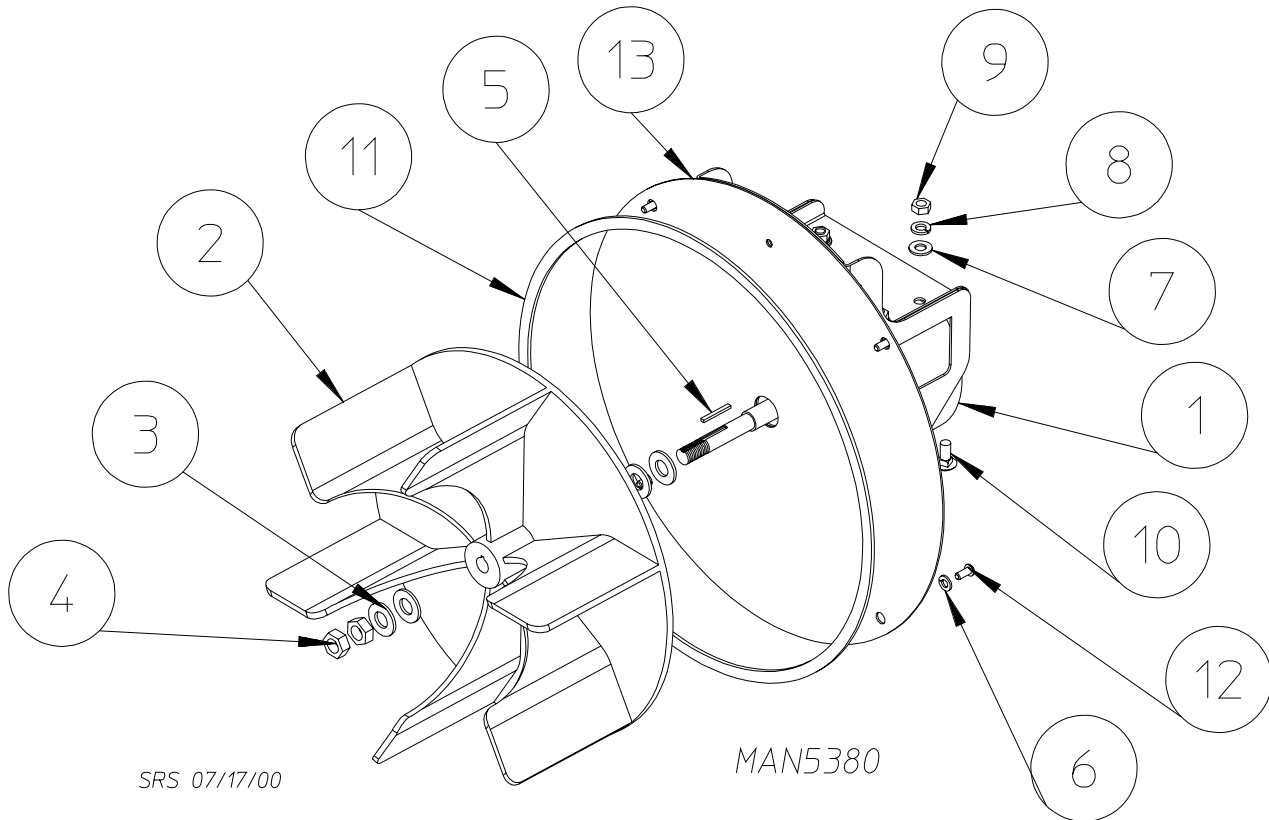
SRS 10/3/01



<u>Illus. No.</u>	<u>Part No.</u>	<u>Qty.</u>	<u>Description</u>
1	141138	1	Burner Manifold
2	128935	1	Direct Spark Ignition (DSI) Module with Three (3) Tries
3	141137	2	Stainless Steel Burner Tube
4	128927	1	1/2" 24 VAC (natural gas) Gas Valve
	880960	1	1/2" Liquid Propane (L.P.) Gas Valve Conversion Kit (per basket [tumbler])
	140411	1	1/2" Liquid Propane (L.P.) Conversion Kit
	883117**	-	Liquid Propane (L.P.) Conversion Kit (includes parts to convert both top and bottom basket [tumbler] to Liquid Propane [L.P.] gas)
5	354141	1	Gas Valve Mounting Bracket
6	354146	2	Burner Bottom Baffle
7	354162	1	Direct Spark Ignition (DSI) Module Mounting Panel
8	354170	1	Burner Tube Hood
9	142506	1	1/2" x 1/2" Street Elbow
10	130400	1	290° Burner Hi-Limit
11	150299	2	#10 x 1" Hex Washer TEK Screw
12	150300	10	#10-16 x 1/2" Hex Washer TEK Screw
13	353222	1	Manifold Pipe Bracket
14	140819	2	#30 Burner Orifice (natural gas)
15	154210	30	5/32" x 3/16" Pop Rivet
16	882906	1	Burner Box ONLY
	883127*	1	Natural Gas Burner Assembly Complete (less orifice)
17	-----	1	Direct Spark Ignition (DSI) Ignitor/Flame-Probe with High Voltage (HV) Wire
18	882907	1	Rear Electrical Panel Assembly Complete (refer to <b>Rear Electrical Panel</b> on <b>page 25</b> )

\* Burner orifice *is not included* and **must be** ordered separately.

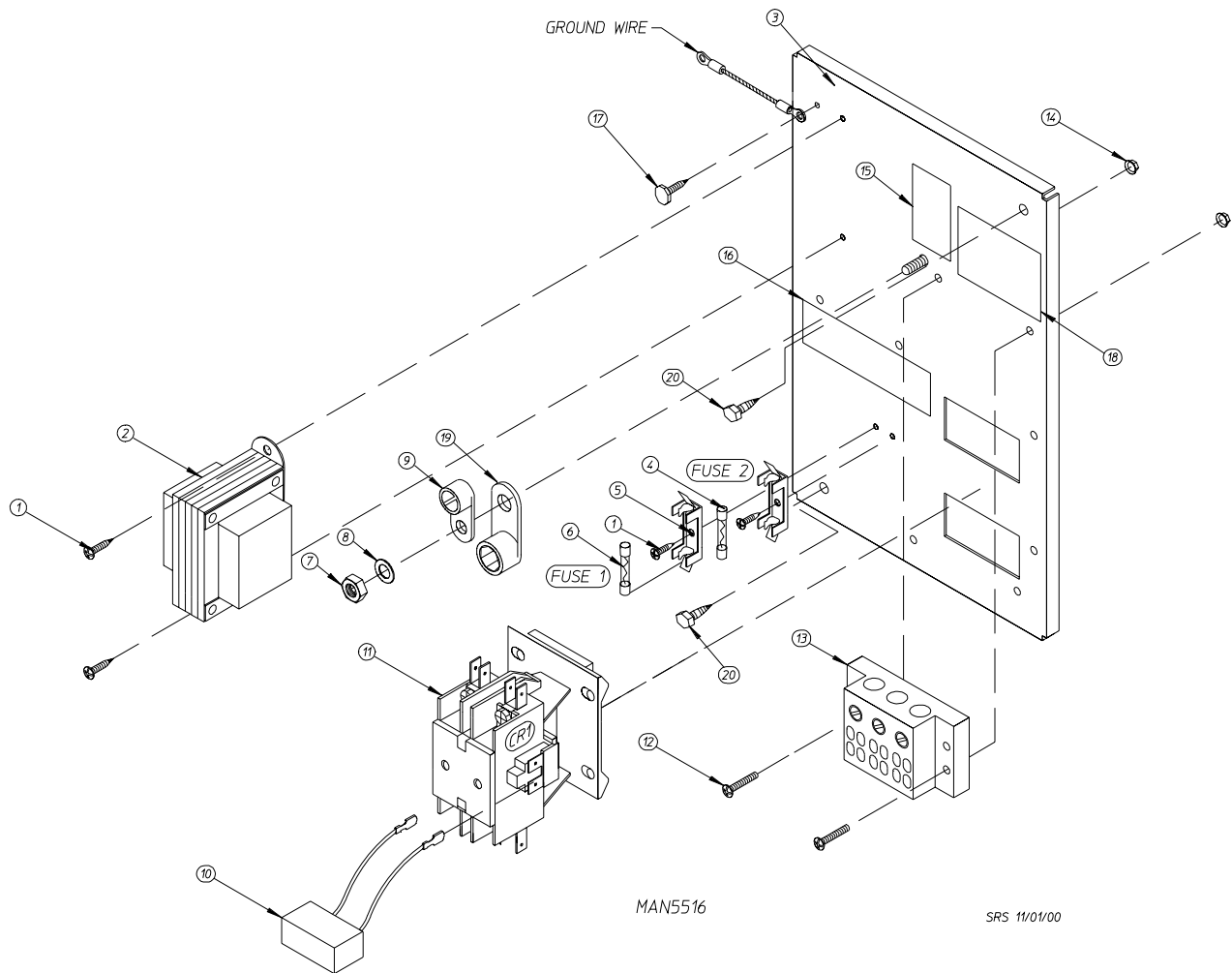
\*\* Consult factory for elevations over 2,000 feet.



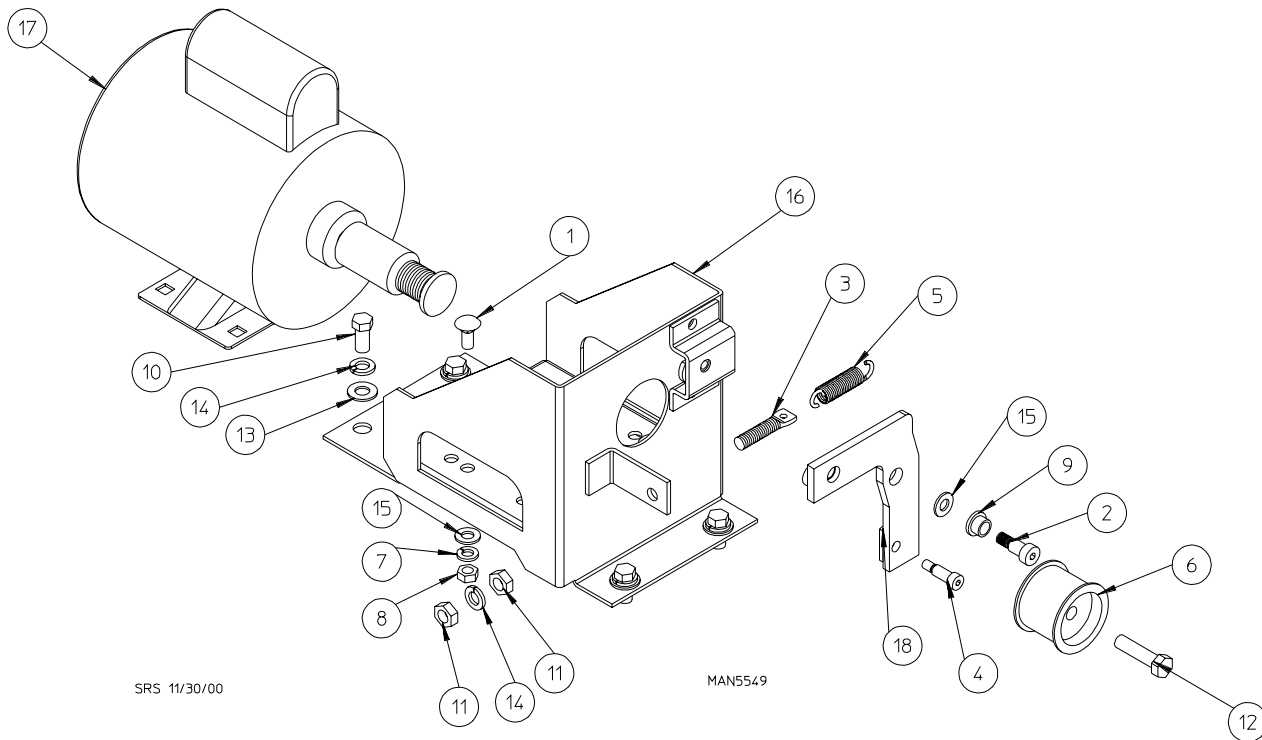
SRS 07/17/00

MAN5380

<u>Illus. No.</u>	<u>Part No.</u>	<u>Qty.</u>	<u>Description</u>
1	181038	1	1/4 HP 115/230v/60 Hz Blower Motor
2	100604	1	12-1/2" Impellor with 1/2" Bore
3	153050	4	1/2" x 1-1/16" Flat Washer
4	152006	2	1/2-20 Left Hand Jam Nut
5	100731	1	1/8" x 3/32" x 1-1/8" Key
6	153007	4	1/4" Split Lock Washer
7	153001	4	5/16" Flat Washer
8	153002	4	5/16" Split Lock Washer
9	152004	4	5/16-18 Hex Nut
10	154279	4	5/16-18 x 3/4" Carriage Bolt
11	117604	4	1/8" x 3/8" Neoprene Sponge Tape (sold by the foot)
12	150111	4	1/4-20 x 1/2" Phillips Round Head Machine Screw
13	882922	1	Blower Motor Mount ONLY
	882714	1	Blower Motor and Mount Assembly Complete (includes illus. nos. 1 through 13)

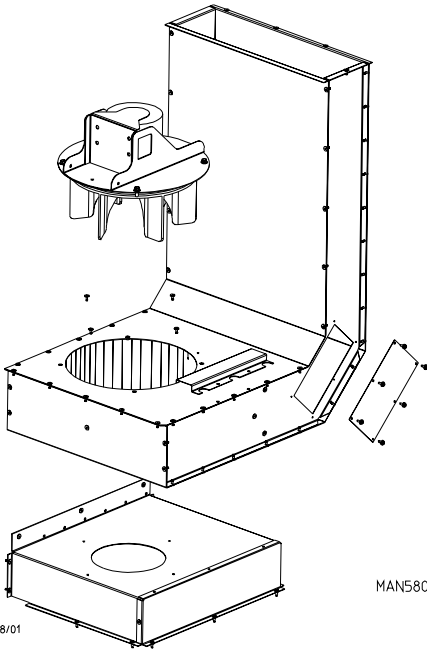
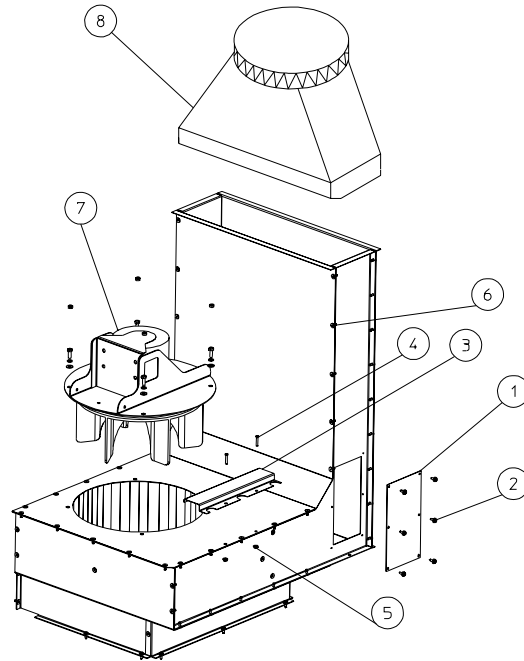


<u>Illus. No.</u>	<u>Part No.</u>	<u>Qty.</u>	<u>Description</u>
1	150301	4	#8-18 x 7/16" Phillips Pan Head TEK Screw
2	141403	1	Transformer - 24 VAC
	881763	1	Termination Kit
3	882928	1	Rear Electrical Panel with Stud
4	136049	1	3/4-Amp Slo Blo Fuse (fuse 1)
5	136008	2	Fuse Holder
6	136106	1	2-Amp Slo Blo Fuse (fuse 2)
7	152002	1	1/4-20 Hex Nut
8	153021	1	1/4" Star Washer
9	121010	1	Ground Lug
10	824828	1	R.C. Network Assembly
11	132475	1	Double-Pole Contactor - 24 VAC
12	150103	2	#8-32 x 3/4" Phillips Round Head Screw
13	120714	1	Quick Connect Power Block
14	151001	2	#8-32 Pal Nut
15	112075	1	"Ground Here" Label
16	112025	1	"Caution" Label
17	150297	1	Green Ground Screw
18	114103	1	"Electric Service Connection" Label
19	121012	1	Ground Lug
20	150299	2	#10 x 1" Hex Washer TEK Screw



<u>Illus. No.</u>	<u>Part No.</u>	<u>Qty.</u>	<u>Description</u>
1	154279	4	5/16-18 x 3/4" Carriage Bolt
2	154277	1	3/8" x 1/2" Shoulder Screw
3	154274	1	3/8-16 x 2" Long Spade Bolt
4	154276	1	1/4-20 x 5/16" x 5/8" Shoulder Bolt
5	157010	1	1-7/8" Extension Spring
6	100250	1	Idler Wheel
7	153002	4	5/16" Split Lock Washer
8	152004	4	5/16-18 Hex Nut
9	121350	1	Bronze Bushing
10	150508	4	3/8-16 x 3/4" Hex Head Machine Bolt
11	152005	2	3/8-16 Hex Nut
12	150600	1	3/8-16 x 1-1/2" Tap Bolt
13	153004	4	3/8" x 1" Flat Washer
14	153005	5	3/8" Split Lock Washer
15	153001	5	5/16" Flat Washer
16	882720	1	Motor Mount ONLY
17	882687	1	Drive Motor and Sheave Assembly ONLY
	883069	1	Drive Motor Sheave With Setscrew
	170733	*	Retaining Compound
18	882767	1	Idler Arm Assembly with Hardware (includes illus. nos. 2, 6 through 10, 16 and 17)
	882929	1	Idler Arm ONLY

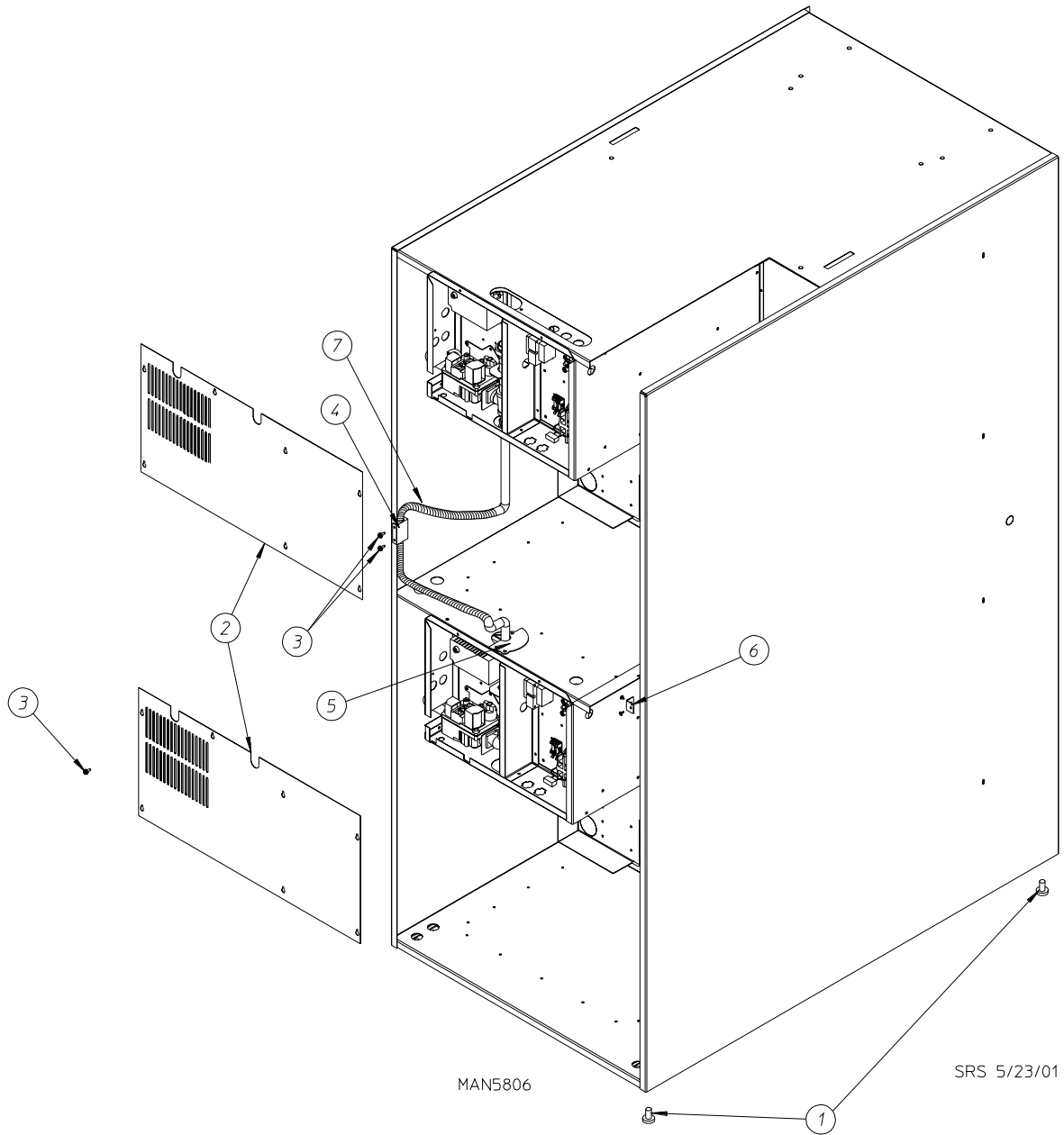
\* As required.



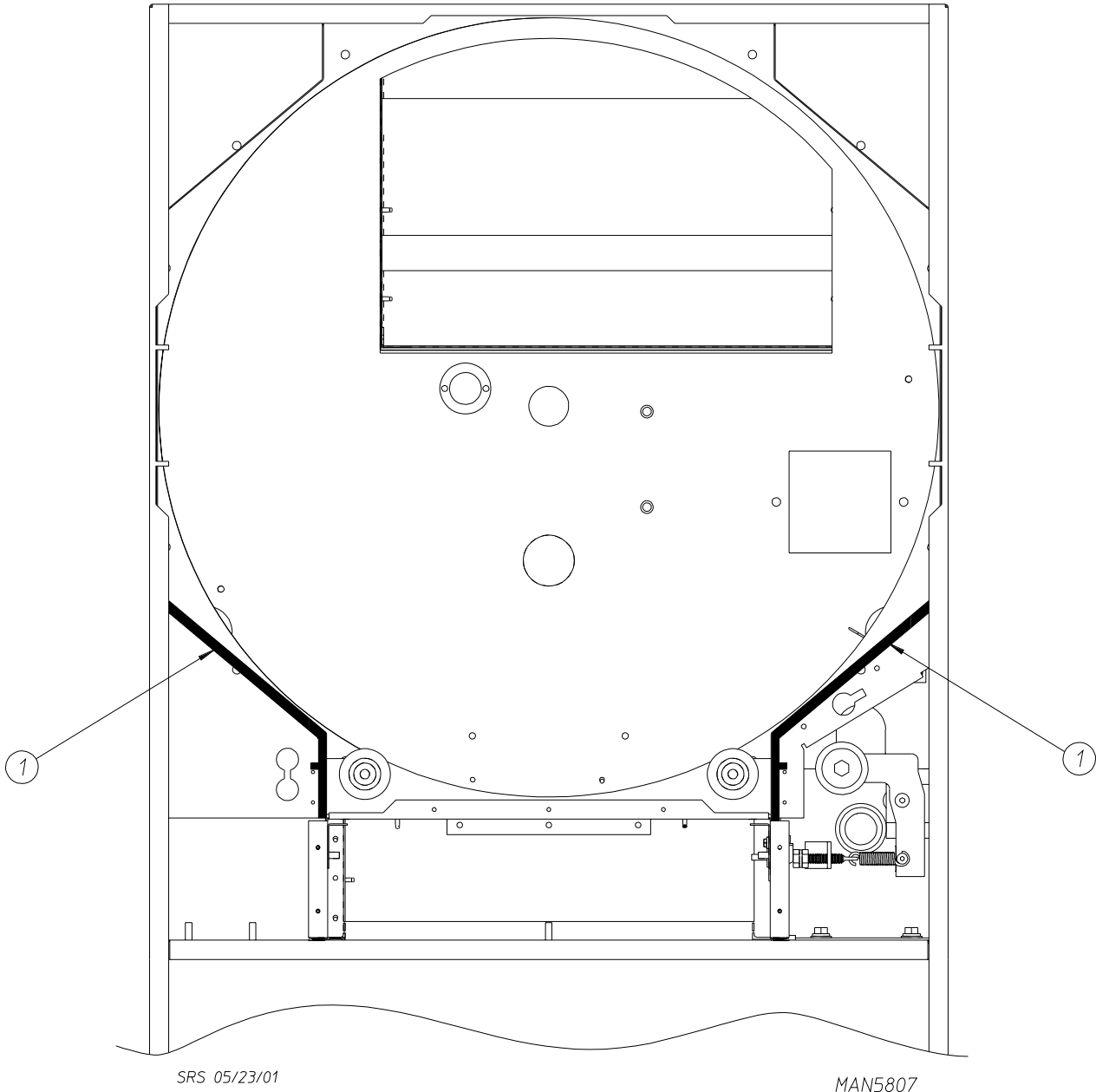
MAN5809

SRS 06/08/01

<u>Illus. No.</u>	<u>Part No.</u>	<u>Qty.</u>	<u>Description</u>
1	354078	2	Exhaust Access Plate
2	150309	12	#10-16 x 1/2" Hex Head TEK Crimptite Screw
3	354171	2	Harness Stiffener
4	150103	4	#8-32 x 3/4" Phillips Round Head Machine Screw
5	151001	4	#8-32 Pal Nut
6	154210	158	5/32" x 3/16" Pop Rivet
7	-----	2	Blower Motor Assembly (refer to <b>Blower Motor Assembly</b> on <b>page 24</b> )
8	143558	1	10" Exhaust Adapter



<u>Illus. No.</u>	<u>Part No.</u>	<u>Qty.</u>	<u>Description</u>
1	103500	4	Leveling Leg
2	883070	2	Back Guard Short
3	150300	12	#10-16 x 1/2" TEK Screw
4	883071	1	Top Pocket Flex Gas Line Bracket
5	883160	1	Bottom Pocket Flex Gas Line Pivot Support
6	883073	1	Rear Right Side Panel Support Assembly
7	143118	1	60" Stainless Steel Flex Hose



---

<u>Illus. No.</u>	<u>Part No.</u>	<u>Qty.</u>	<u>Description</u>
1	102310*	4	Wrapper Gasket

\* Sold by the foot.

