



# **ML-78 Phase 7 Parts Manual With FSS Options**

---

---

**American Dryer Corporation**  
88 Currant Road  
Fall River, MA 02720-4781  
Telephone: (508) 678-9000 / Fax: (508) 678-9447  
E-mail: [techsupport@amdry.com](mailto:techsupport@amdry.com)  
[www.amdry.com](http://www.amdry.com)

# Retain This Manual In A Safe Place For Future Reference

American Dryer Corporation products embody advanced concepts in engineering, design, and safety. If this product is properly maintained, it will provide many years of safe, efficient, and trouble free operation.

*ONLY qualified technicians should service this equipment.*

**OBSERVE ALL SAFETY PRECAUTIONS** displayed on the equipment or specified in the installation manual included with the dryer.

The following “**FOR YOUR SAFETY**” caution **must be** posted near the dryer in a prominent location.

**FOR YOUR SAFETY**

Do not store or use gasoline or other flammable vapors and liquids in the vicinity of this or any other appliance.

**POUR VOTRE SÉCURITÉ**

Ne pas entreposer ni utiliser d'essence ni d'autres vapeurs ou liquides inflammables à proximité de cet appareil ou de tout autre appareil.

We have tried to make this manual as complete as possible and hope you will find it useful. **ADC** reserves the right to make changes from time to time, without notice or obligation, in prices, specifications, colors, and material, and to change or discontinue models.

## Important

For your convenience, log the following information:

**DATE OF PURCHASE** \_\_\_\_\_ **MODEL NO.** ML-78 Phase 7

**RESELLER'S NAME** \_\_\_\_\_

**Serial Number(s)** \_\_\_\_\_

\_\_\_\_\_

\_\_\_\_\_

Replacement parts can be obtained from your reseller or the **ADC** factory. When ordering replacement parts from the factory, you can FAX your order to **ADC** at (508) 678-9447 or telephone your order directly to the **ADC** Parts Department at (508) 678-9000. Please specify the dryer **model number** and **serial number** in addition to the **description** and **part number**, so that your order is processed accurately and promptly.

The illustrations on the following pages may not depict your particular dryer exactly. The illustrations are a composite of the various dryer models. Be sure to check the descriptions of the parts thoroughly before ordering.

**“IMPORTANT NOTE TO PURCHASER”**

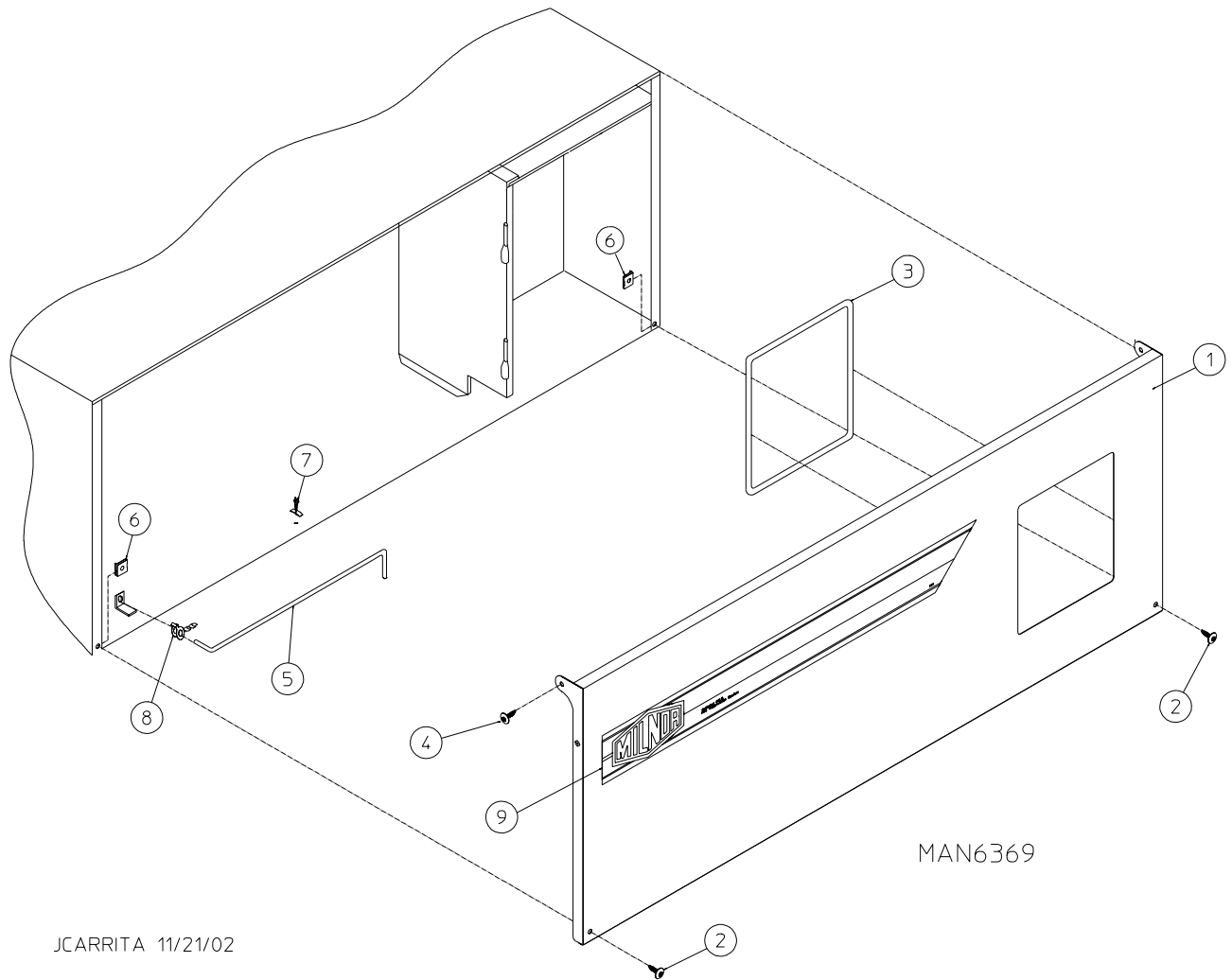
Information **must be** obtained from your local gas supplier on the instructions to be followed if the user smells gas. These instructions **must be** posted in a prominent location near the dryer.

# *Table of Contents*

Phase 7 OPL Microprocessor Control Door Assembly	
For Models Mfd. as of July 11, 2002 .....	3
Control Door Assembly	
For Models Mfd. prior to July 11, 2002 .....	4
Phase 7 OPL Microprocessor Control Panel Assembly .....	5
Phase 7 OPL Microprocessor Control Box Assembly .....	6
Main Door Assembly .....	7
Front Panel Assembly	
For Models Mfd. as of January 1, 2002 .....	8
Front Panel Assembly	
For Models Mfd. prior to January 1, 2002 .....	9
Main Door Switch Assembly .....	10
Sensor Bracket Assembly .....	11
Lint Trap Assembly	
For Models Mfd. as of January 1, 2002 .....	12
Lint Trap Assembly	
For Models Mfd. prior to January 1, 2002 .....	13
Drop Lint Door Assembly	
For Models Mfd. as of January 1, 2002 .....	14
Drop Lint Door Assembly	
For Models Mfd. prior to January 1, 2002 .....	15
Basket (Tumbler)/Support Assembly .....	16
Idler Bearing Assembly .....	17
Basket (Tumbler) Bearing Assembly .....	18, 19
Single-Phase (1 $\phi$ ) MP Rear Electric Relay Panel Assembly .....	20
208-240V 3-Phase (3 $\phi$ ) MP Rear Electric Relay Panel Assembly .....	21

460-480V MP Rear Electric Relay Panel Assembly .....	22
208-240V MP Reversing Rear Electric Relay Panel Assembly .....	23
460-480V MP Reversing Rear Electric Relay Panel Assembly .....	24, 25
Non-Reversing T.E.F.C. Motor Mount Assembly .....	26, 27
Reversing T.E.F.C. Motor Mount Assembly .....	28, 29
Direct Spark Ignition (DSI) Burner Assembly .....	30, 31
Sail Switch Assembly .....	32
FSS Temperature Probe Assembly .....	33
FSS Solenoid Assembly .....	34
Back Guard Assemblies .....	35
Additional Parts Available .....	36

For Models Mfd. as of July 11, 2002

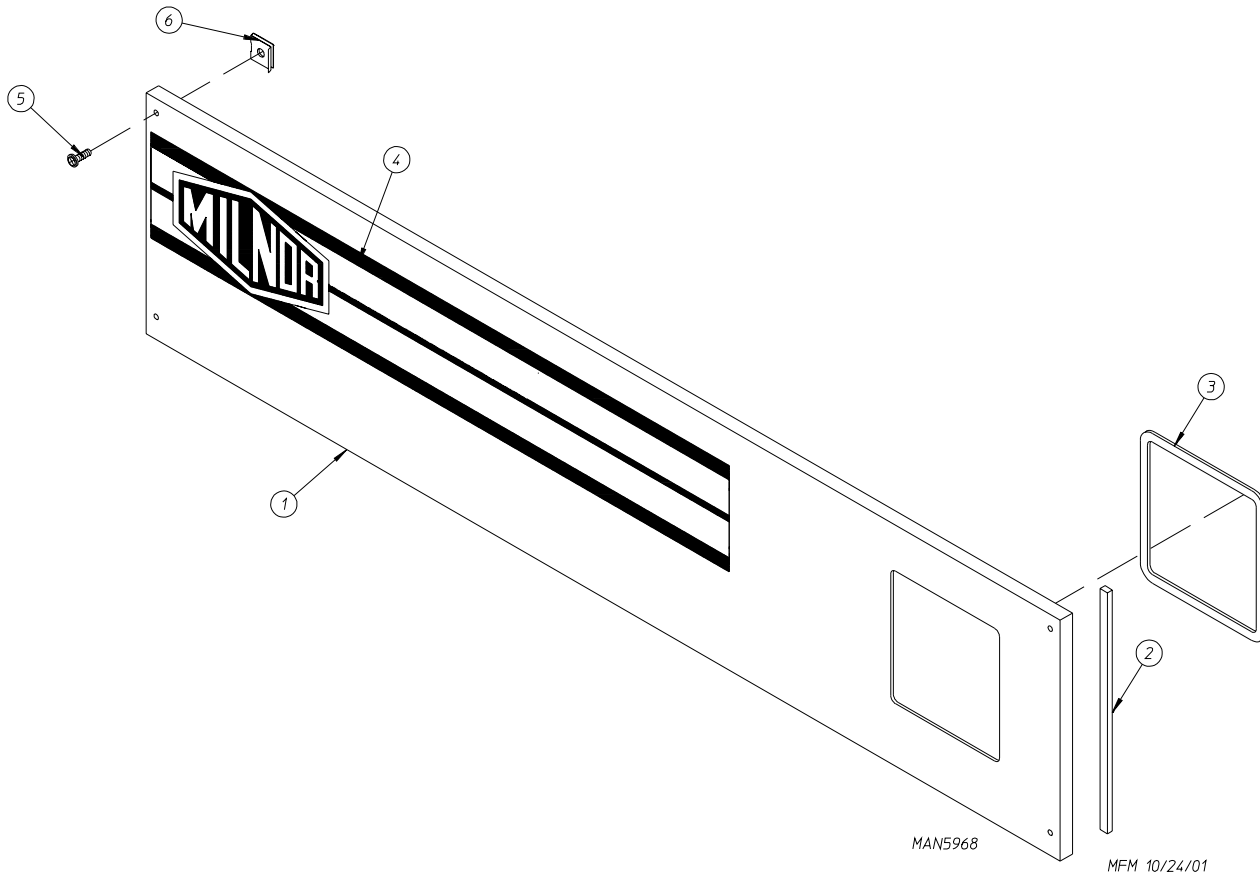


JCARRITA 11/21/02

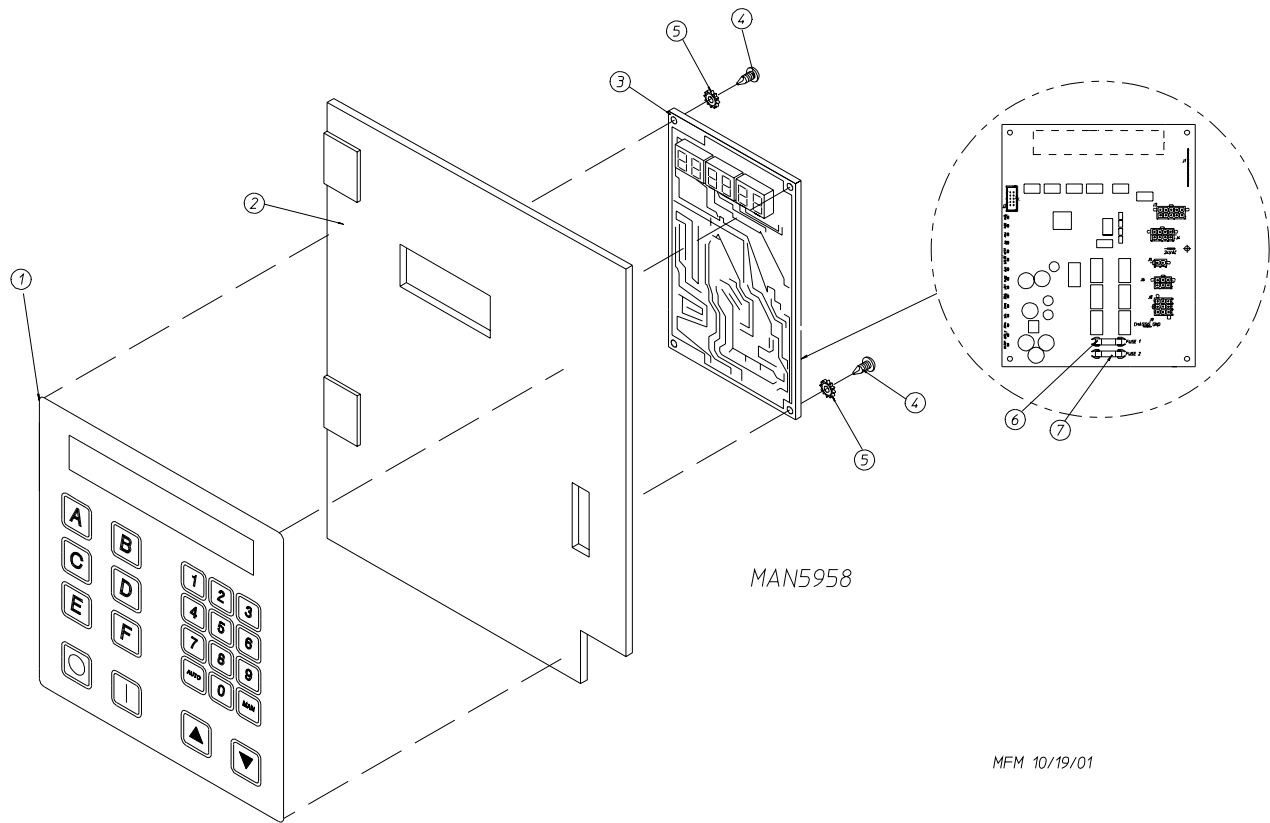
<u>Illus. No.</u>	<u>Part No.</u>	<u>Qty.</u>	<u>Description</u>
1	883474	1	White OPL Control Door (includes illus. nos. 1 and 3)
2	150321	2	#10-32 x 1/2" Phillips Machine Screw
3	117604	4	Noise Suppression Tape (sold by the foot)
4	150317	2	#10-16 x 3/4" TORX + BTN, Type 1
5	102503	1	Control Door Support Rod
6	154011	2	#10-32 Multi-Thread U-Nut
7	102602	1	Control Door Rod Support Latch
8	102601	1	Control Door Rod Retainer Clip
9	-----*	1	Logo ONLY

\* Contact reseller for logo.

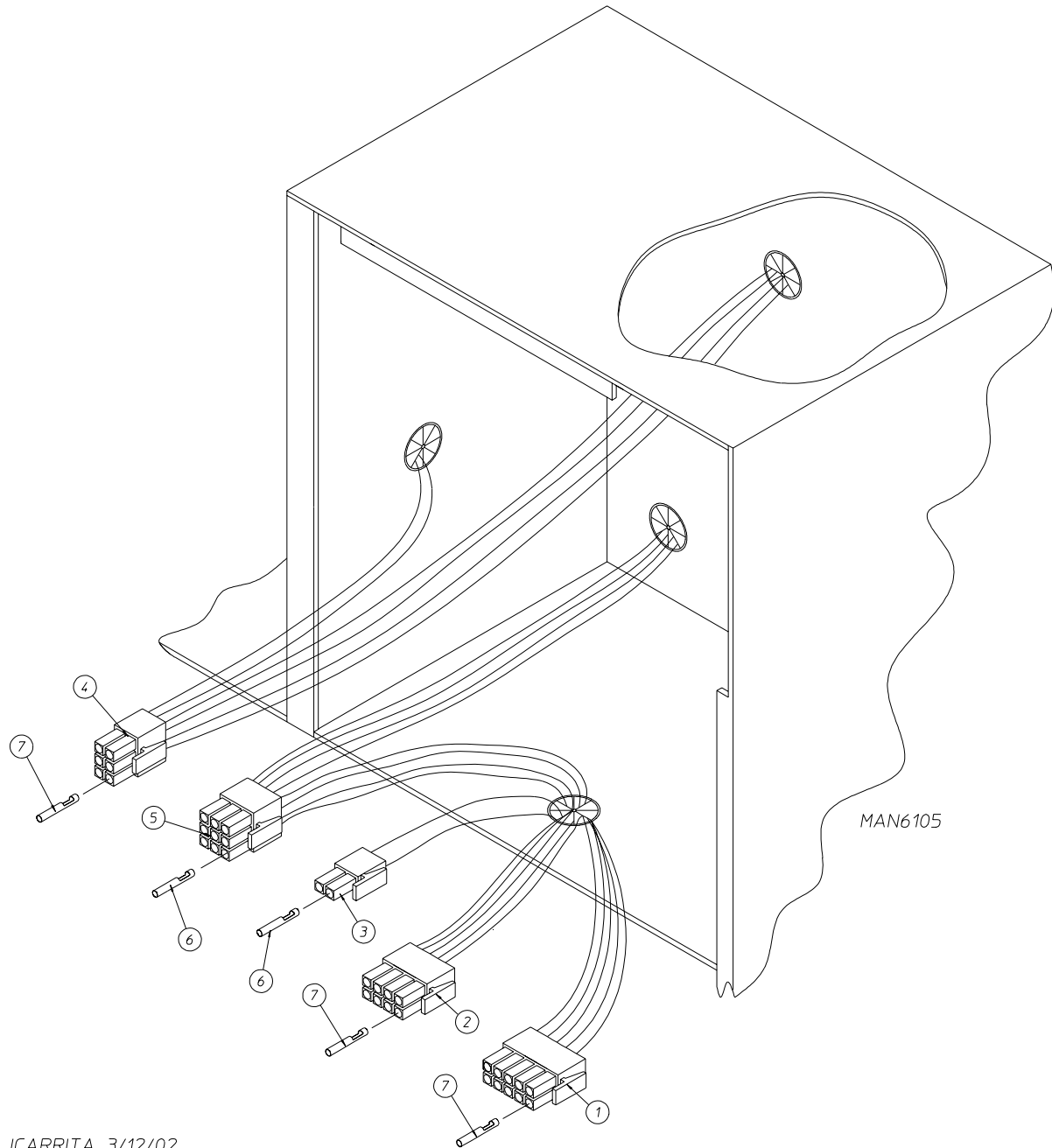
For Models Mfd. prior to July 11, 2002



<u>Illus. No.</u>	<u>Part No.</u>	<u>Qty.</u>	<u>Description</u>
1	801823	1	Control Door Assembly (includes illus. nos. 1 through 3)
2	117605	2	Neoprene Sponge Tape
3	117604	4	Noise Suppression Tape (sold by the foot)
4	112366	1	Milnor Logo ONLY
5	150314	4	#10-32 x 1/2" TORX Screw
6	154011	4	#10-32 Multi-Thread U-Nut



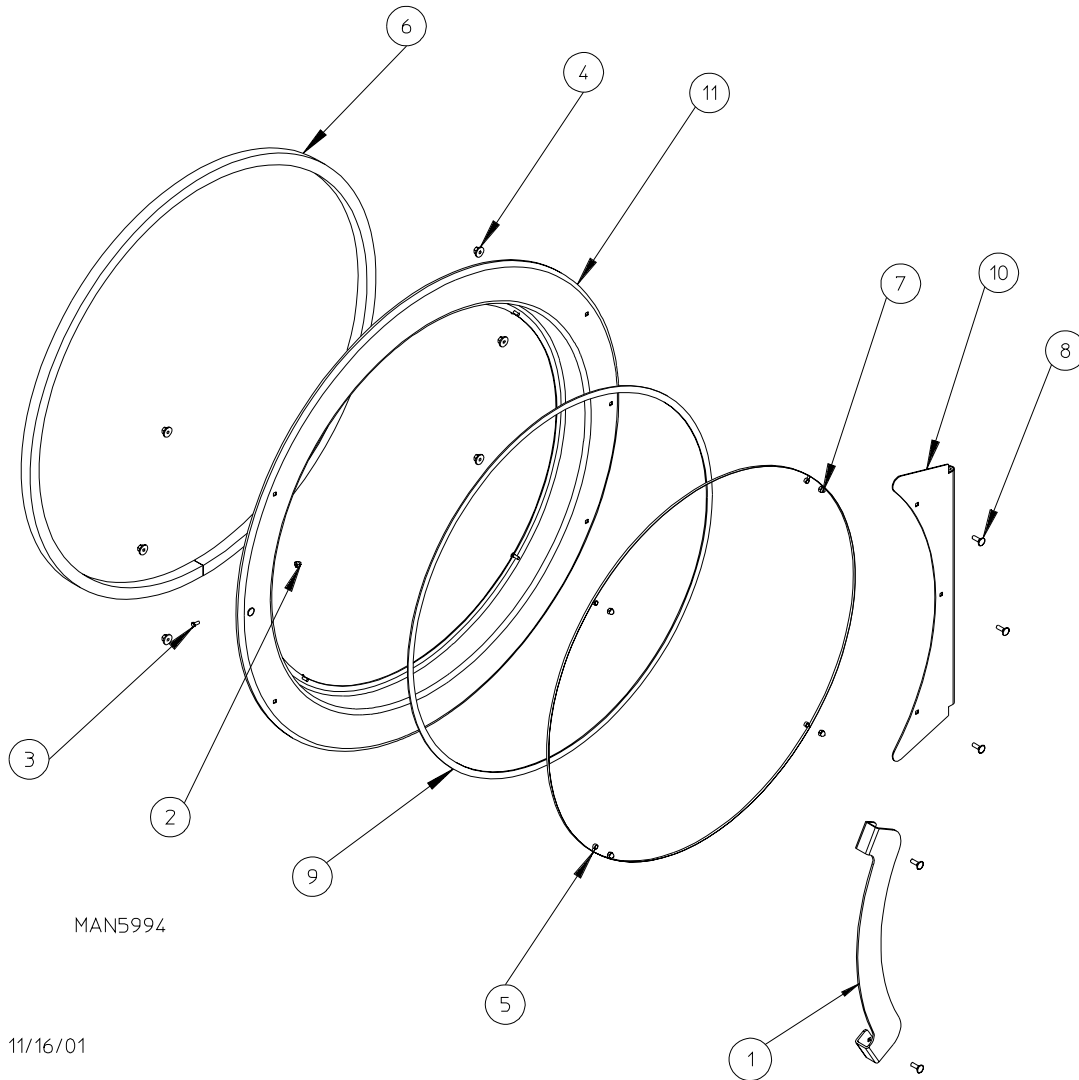
<u>Illus. No.</u>	<u>Part No.</u>	<u>Qty.</u>	<u>Description</u>
1	112571	1	Phase 7 OPL Keyboard (touch pad)
2	850984	1	Phase 7 OPL Microprocessor Controller (computer) Panel ONLY
	883749	1	Phase 7 OPL Reversing Microprocessor Controller (computer) Control Panel Assembly Complete with Fire Suppression System (FSS) (includes illus. nos. 1 through 7)
3	883744	1	Phase 7 OPL Microprocessor Controller (computer) ONLY with Fire Suppression System (FSS)
4	150005	2	#6-32 x 3/4" Phillips Round Head Machine Screw
5	153010	2	#6 Star Washer
6	136016	1	5-Amp Fuse
7	136097	1	500 mA Fuse



<u>Illus. No.</u>	<u>Part No.</u>	<u>Qty.</u>	<u>Description</u>
1	122681	1	10-Pin Connector
2	122676	1	8-Pin Connector
3	122646	1	2-Pin Connector
4	122683	1	6-Pin Connector
5	122640	1	9-Pin Connector
6	122706	*	#20-16 U.M.N.L. Socket
7	122669	*	Female Crimp Terminal

\* As needed.

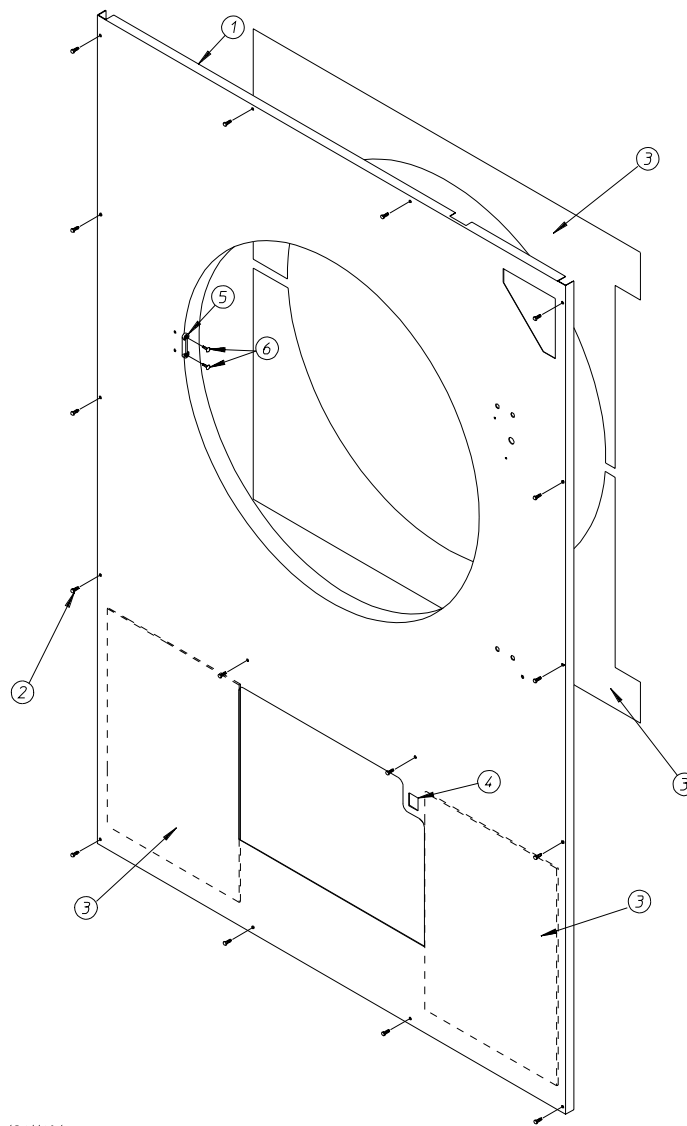




<u>Illus. No.</u>	<u>Part No.</u>	<u>Qty.</u>	<u>Description</u>
1	881688*	1	Large Cold Rolled Steel (CRS) White Main Door Handle
	881689*	1	White Main Door Assembly Complete (includes illus. nos. 1 through 11)
2	151009	1	#10-32 White Hex Acorn Lock Nut
3	150120	1	#10-32 Door Latch Screw
4	152014	6	1/4-20 White Free Spin Wash Nut
5	102214	1	30" Door Glass
6	882411	1	Large Steel Door Gasket
7	151012*	4	#10-32 White Acorn Nut
8	881740*	6	1/4-20 x 5/8" White Carriage Bolt
9	102362	1	White Gasket Tape
10	881685*	1	Large White Main Door Hinge
11	881684*	1	Large 37-1/4" White Door Ring ONLY

\* Specify color if other than white.

For Models Mfd. as of January 1, 2002



ST 12/11/01

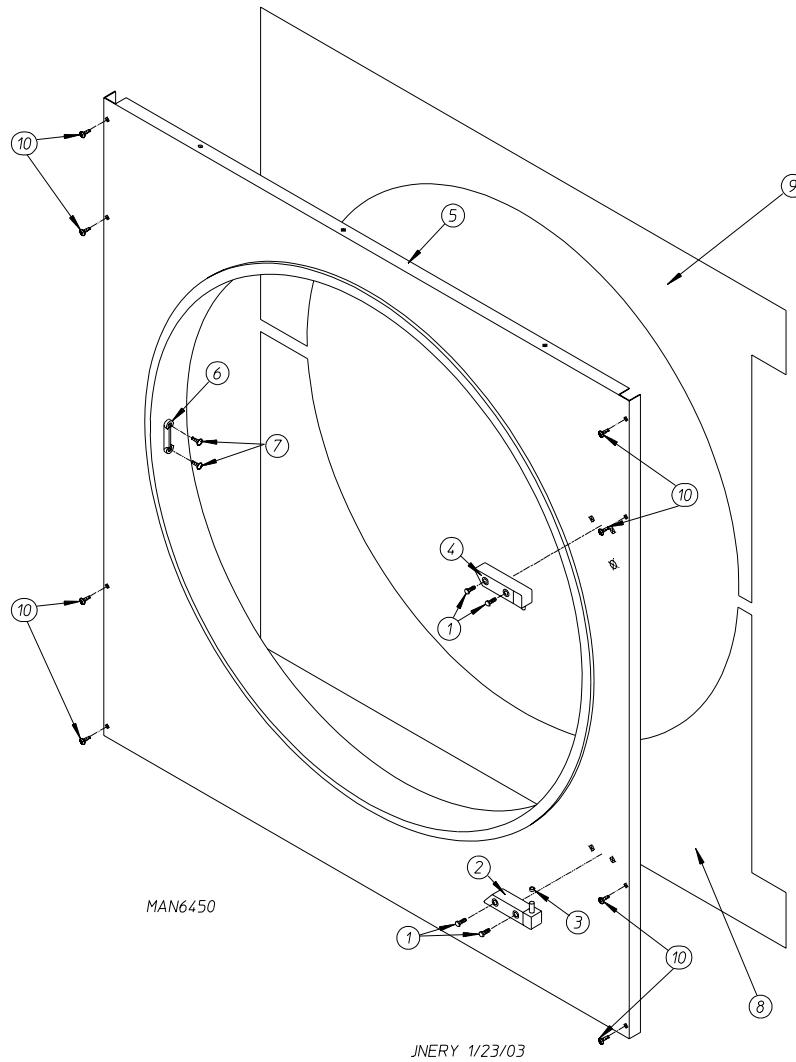
MAN6031

<u>Illus. No.</u>	<u>Part No.</u>	<u>Qty.</u>	<u>Description</u>
1	883731*	1	White Right Hand Front Panel Assembly (for OPL models) (includes illus. nos. 1, 3, 5, and 6)
2	150313	14	#10-16 x 1/2" TORX + BTN, Type 1
	150318	**	25 IP Stick-Fit TORX + Bit...Not Illustrated
3	116147	2	13" x 18-1/2" Rear Lower Wall Insulation
	116320	1	Top Front Panel Insulation
	116321	1	Bottom Front Panel Insulation
4	122002	1	Lint Drawer Switch
5	881987	1	Friction Door Latch Kit (includes illus. nos. 5 and 6)
6	154215	2	5/32" Pop Rivet

\* Specify color if other than white.

\*\* As needed.

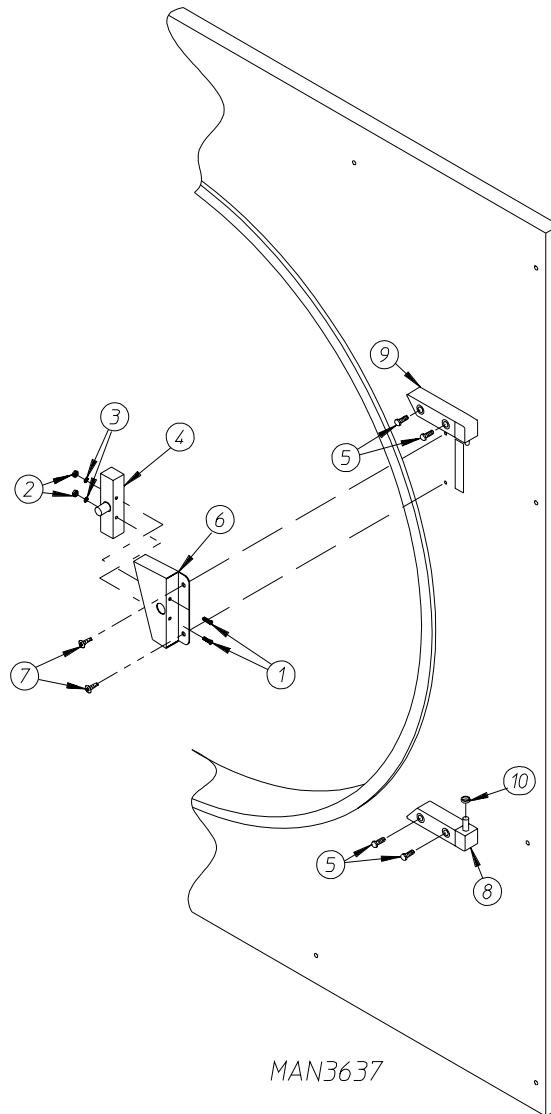
For Models Mfd. prior to January 1, 2002



<u>Illus. No.</u>	<u>Part No.</u>	<u>Qty.</u>	<u>Description</u>
1	150445	4	1/4-20 x 3/4" Stainless Steel Cap Screw
2	881441*	1	White Bottom Hinge Block (includes illus. nos. 1 through 3)
3	153031	1	Nylon Washer
4	881440*	1	White Top Hinge Block with Cap Screws (includes illus. nos. 1 and 4)
5	882057*	1	White Front Panel Assembly (includes illus. nos. 5 through 7)
6	170330	1	Friction Door Catch
7	154215	2	5/32" Pop Rivet
8	116321	1	Bottom Front Panel Insulation
9	116320	1	Top Front Panel Insulation
10	150313	8	#10-16 x 1/2" TORX + BTN, Type 1
	150318	**	25 IP Stick-Fit TORX + Bit...Not Illustrated

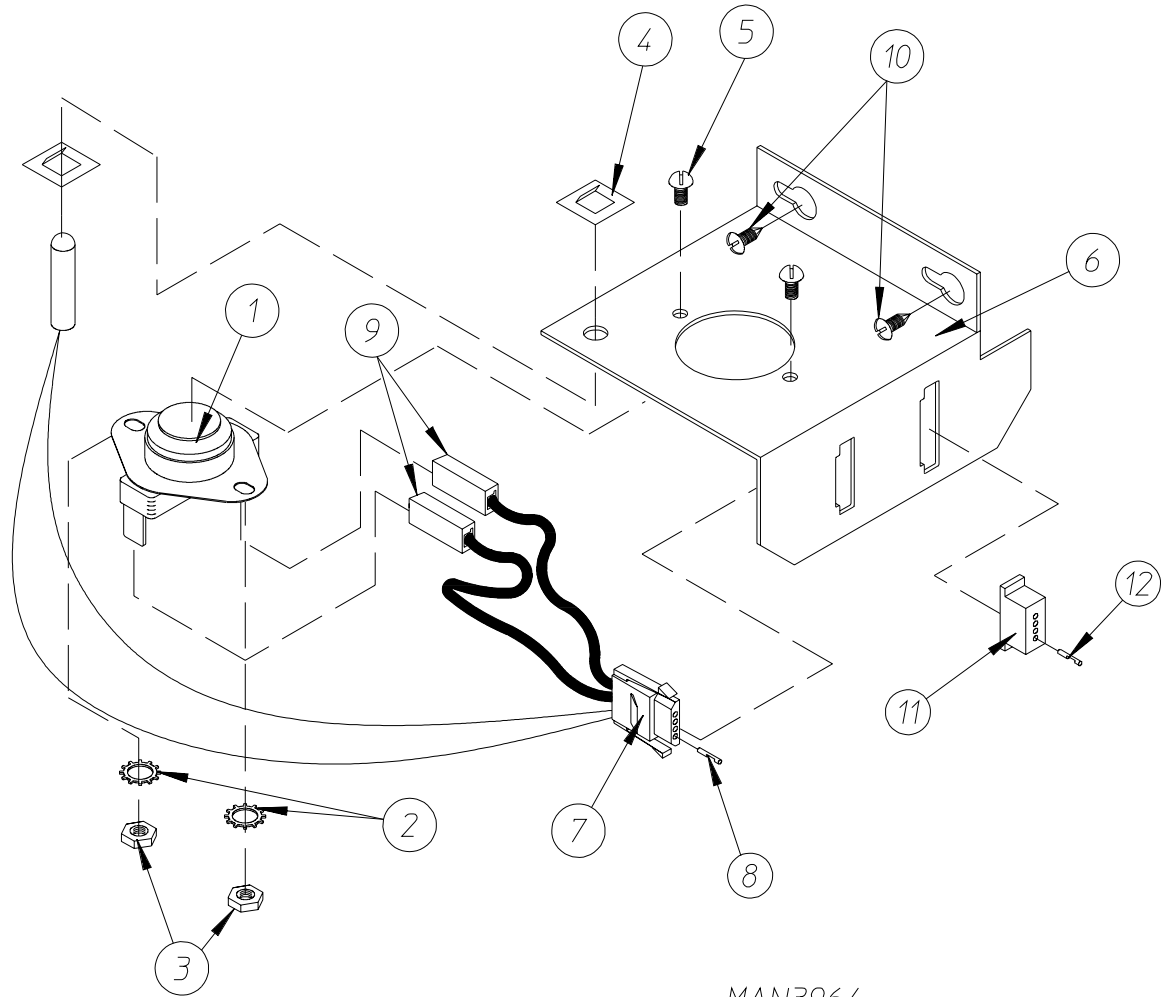
\* Specify color if other than white.

\*\* As required.



<u>Illus. No.</u>	<u>Part No.</u>	<u>Qty.</u>	<u>Description</u>
1	150006	2	#6-32 x 7/8" Phillips Pan Head Machine Screw
2	152013	2	#6-32 Hex Nut
3	153010	2	#6 Star Washer
4	137005	1	Single-Pole Door Switch
5	150445	4	1/4-20 x 3/4" Cap Screw
6	881687*	1	White Main Door Switch Housing ONLY
	881702*	1	White Main Door Switch with Housing Assembly (includes illus. nos. 1 through 4 and 6)
7	150301	2	#8-18 x 7/16" Phillips Pan Head TEK Screw
8	881441*	1	White Bottom Hinge Block with Cap Screws (includes illus. nos. 5, 8, and 10)
9	881440*	1	White Top Hinge Block with Cap Screws (includes illus. nos. 5 and 9)
10	153031	1	Nylon Washer

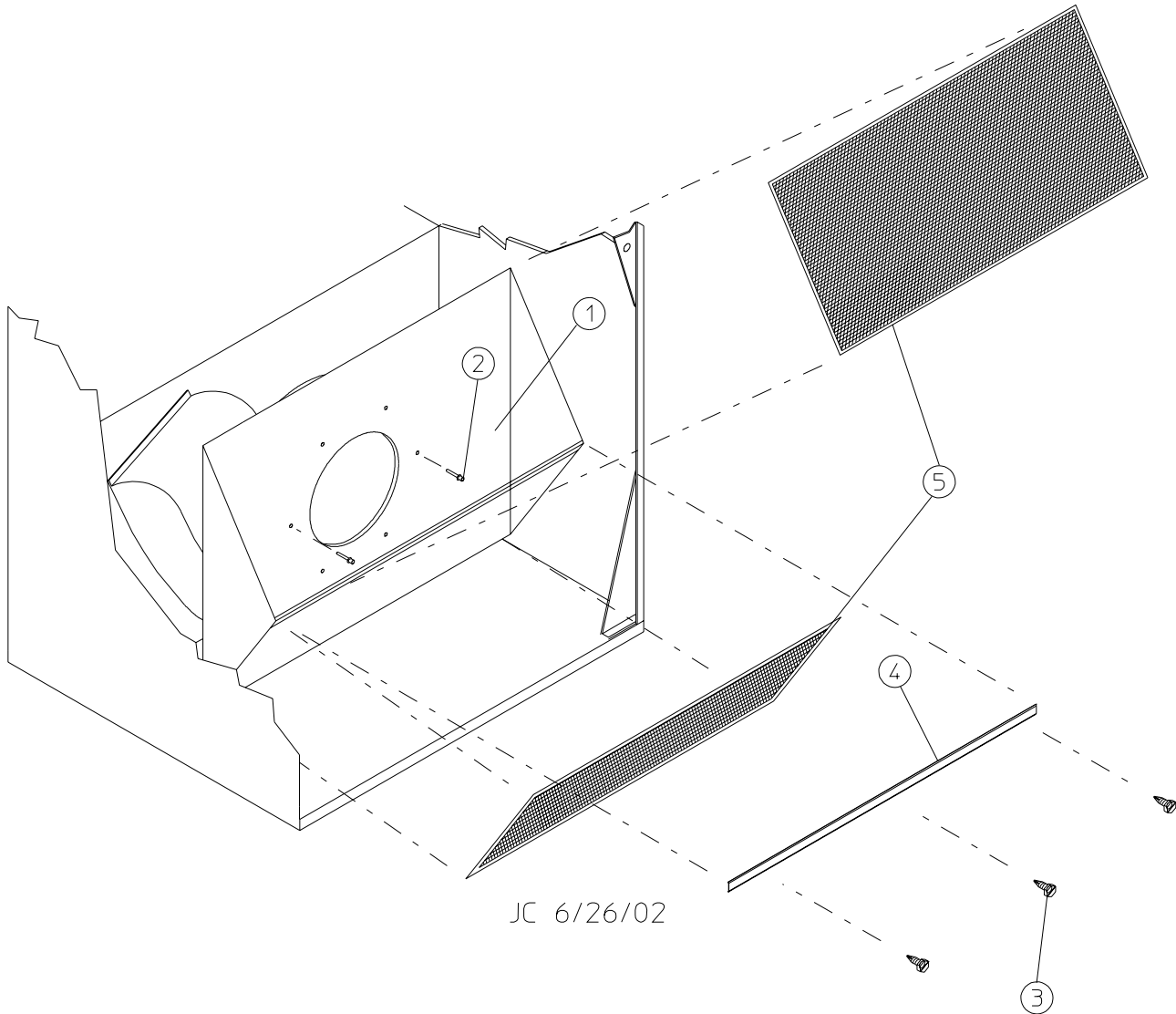
\* Specify color if other than white.



MAN3964

<u>Illus. No.</u>	<u>Part No.</u>	<u>Qty.</u>	<u>Description</u>
1	130103	1	225° F Large Automatic Thermostat ONLY
2	153010	2	#6 Star Washer
3	152000	2	#6-32 Hex Nut
4	154007	2	1/4" Tinnerman Push On Fastener
5	150005	2	#6-32 x 1/4" Phillips Round Head Machine Screw
6	881912	1	Temperature Sensor Bracket Complete (includes illus. nos. 1 through 9)
7	880251	1	1/4" Temperature Sensor Probe Assembly (includes illus. nos. 7 through 9)
	122605	1	4-Pin Connector (female)
8	122701	4	Socket Terminal ONLY
9	121028	2	Insulated Terminal ONLY
10	150301	2	#8-18 x 7/16" Phillips Pan Head TEK Screw
11	122604	1	4-Pin Connector (male)
12	122700	4	Pin Terminal ONLY
	122801	1	Pin/Socket Extraction Tool...Not Illustrated (for removal of illus. nos. 8 and 12)

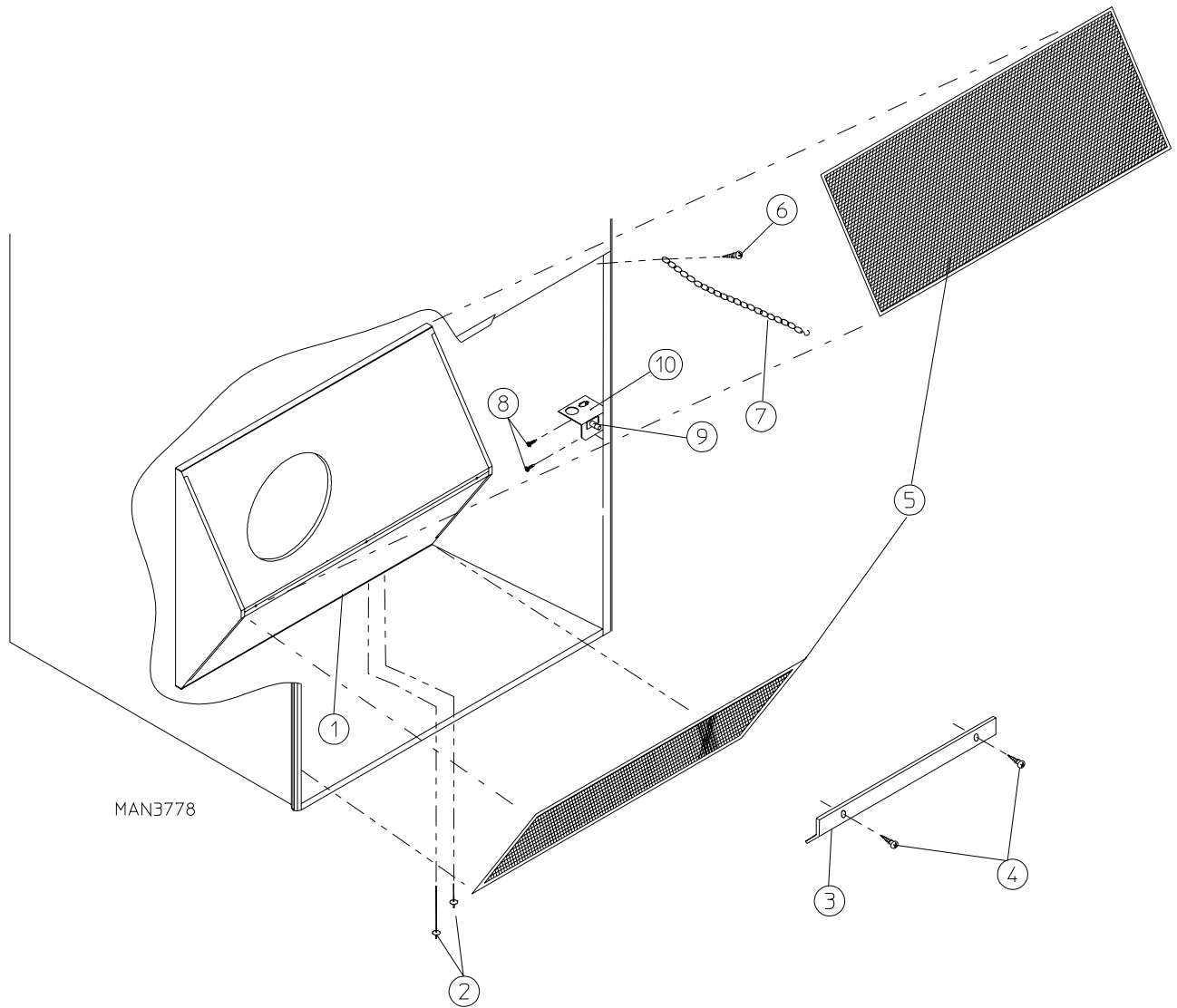
**For Models Mfd. as of January 1, 2002**



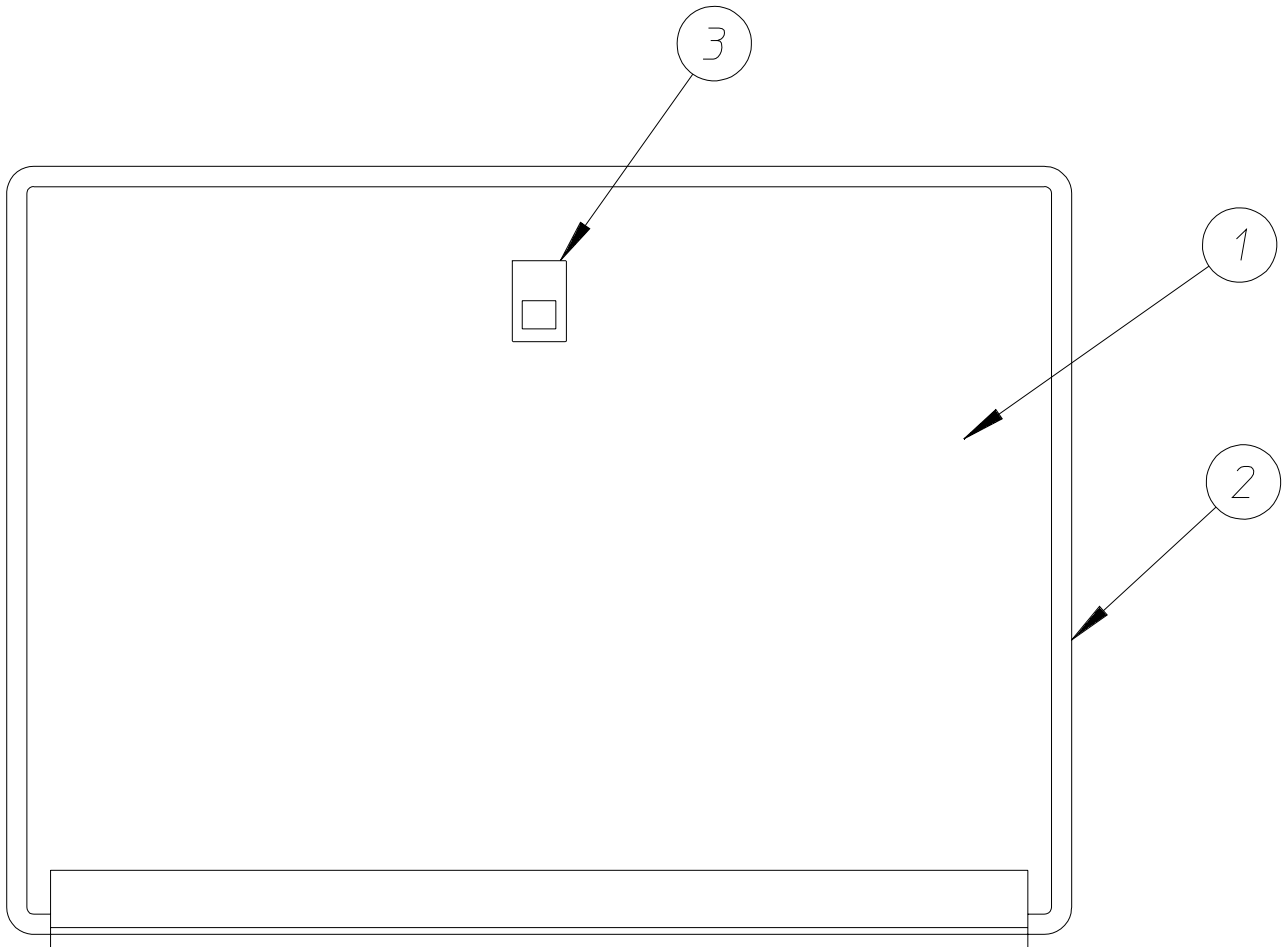
MAN6192

<u>Illus. No.</u>	<u>Part No.</u>	<u>Qty.</u>	<u>Description</u>
1	802833	1	Lint Trap Assembly Complete (includes illus. nos. 1 and 3 through 5)
	802834	1	Lint Trap ONLY
2	154200	6	5/32" Pop Rivet
3	150300	3	#10-16 x 1/2" Hex Washer TEK Screw
4	304100	1	Lint Screen Holder ONLY
5	800500	2	Lint Screen Assembly

For Models Mfd. prior to January 1, 2002



<u>Illus. No.</u>	<u>Part No.</u>	<u>Qty.</u>	<u>Description</u>
1	881904	1	Lint Coupe Assembly Complete (includes illus. nos. 1 and 3 through 5)
	801767	1	Lint Coupe ONLY
2	154200	7	5/32" Pop Rivet
3	304100	1	Lint Screen Hold Down
4	150300	3	#10-16 x 1/2" Hex Washer TEK Screw
5	800500	2	Lint Screen
6	150419	2	#6 x 1/2" Tamperproof TEK Screw
7	108120	1	Chain for Drop Lint Door
	150418	1	Tamperproof Screw Hand Driver...Not Illustrated
8	150425	2	#12-24 x 3/8" Phillips Round Head Screw
9	122116	1	Lint Drawer Switch ONLY
10	323724	1	Lint Drawer Switch Bracket



ST 12/11/01

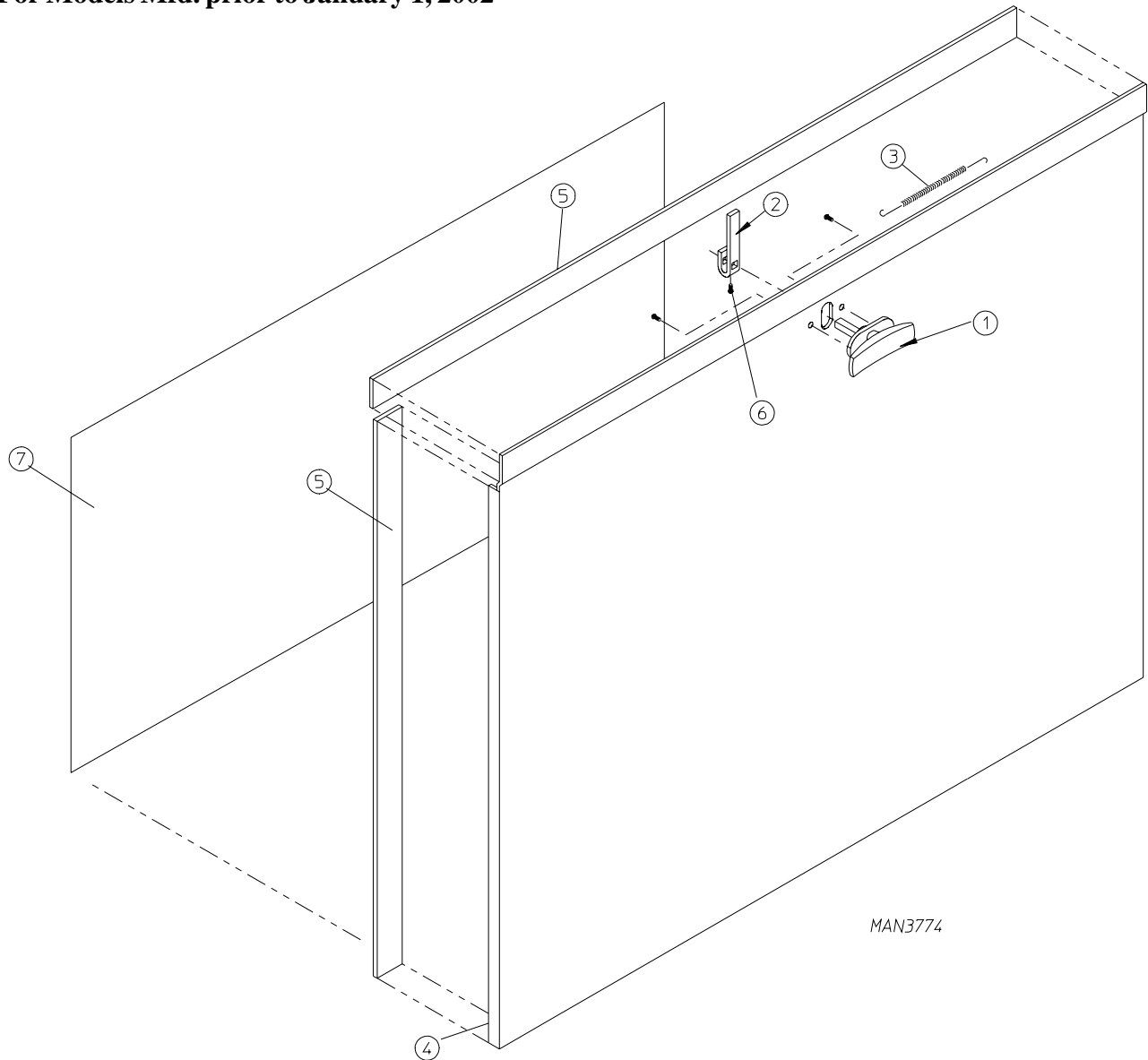
MAN6030

<u>Illus. No.</u>	<u>Part No.</u>	<u>Qty.</u>	<u>Description</u>
1	883680*	1	White Drop Lint Door Assembly (includes illus. nos. 1 through 3)
2	117604	5	Noise Suppression Tape (sold by the foot)
3	170226	1	Slide Latch

\* Specify color if other than white.

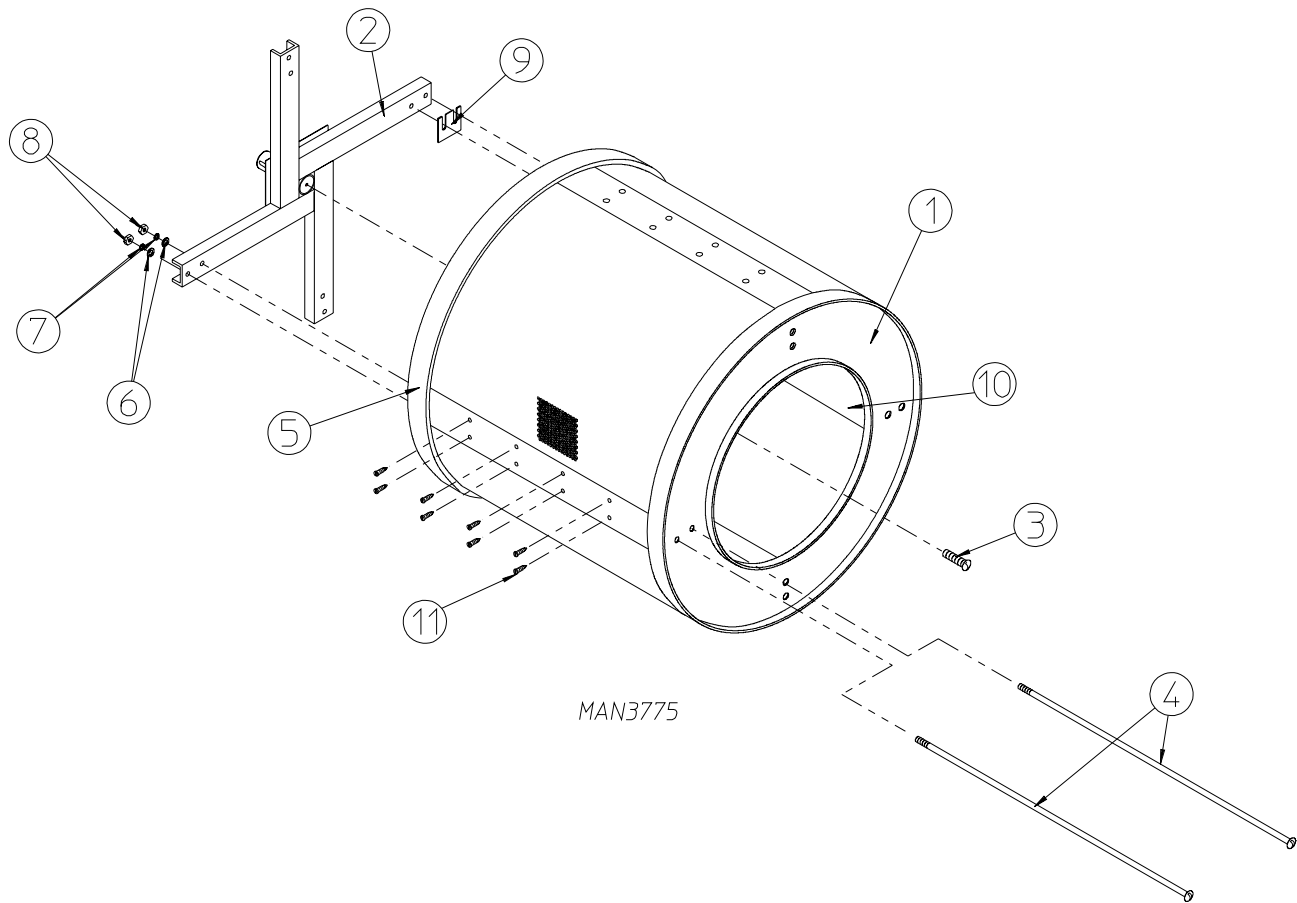


For Models Mfd. prior to January 1, 2002



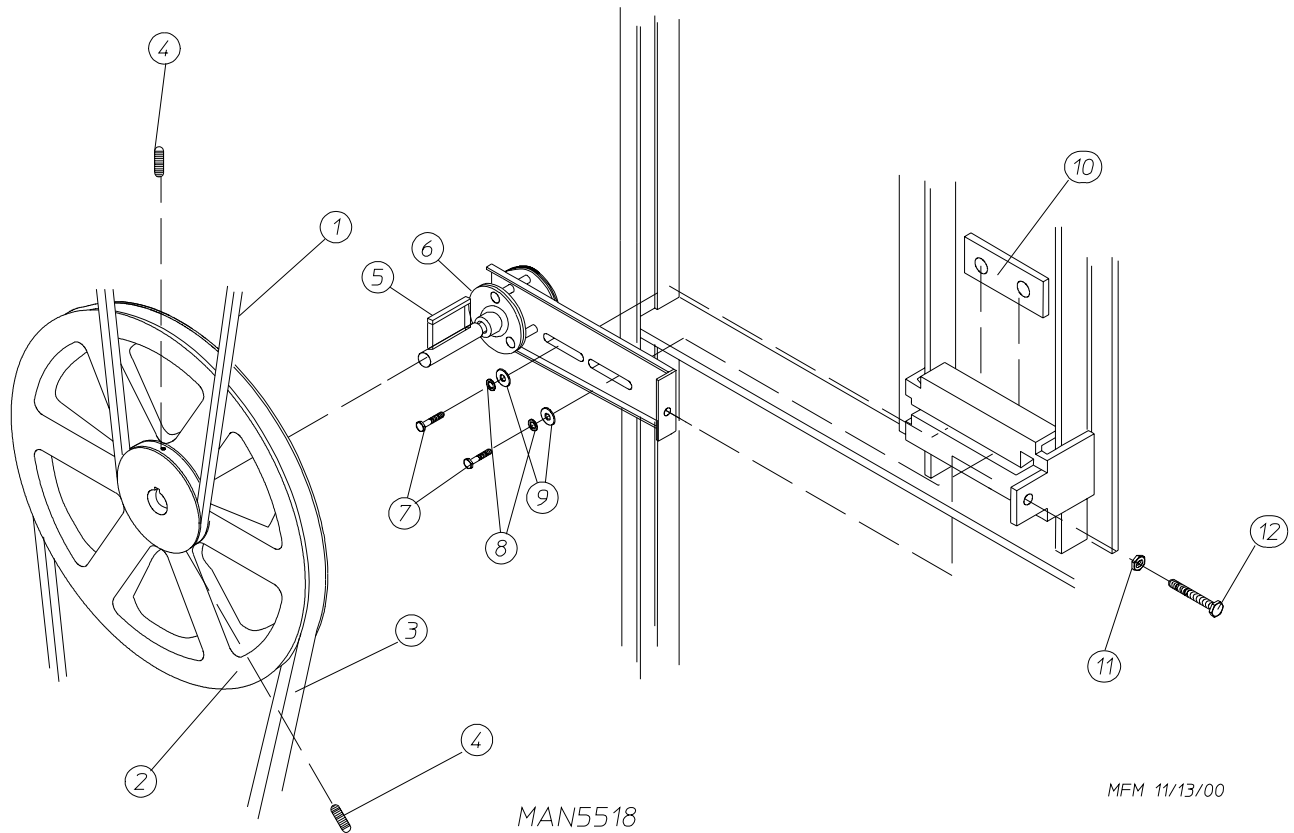
<u>Illus. No.</u>	<u>Part No.</u>	<u>Qty.</u>	<u>Description</u>
1	800150	1	Knob Latch Kit Assembly (includes illus. nos. 1 and 2)
2	160009	1	Knob Latch Adjustable Cam ONLY
3	157000	1	Drop Lint Door Spring
4	881906*	1	White Insulated Drop Lint Door Assembly (includes illus. nos. 4, 5, and 7)
5	117604	7	Noise Suppression Tape (sold by the foot)
6	150425	1	#12-24 x 3/8" Round Head Machine Screw ONLY (screw for knob latch adjustable cam)
7	116322	1	Lint Door Insulation

\* Specify color if other than white.

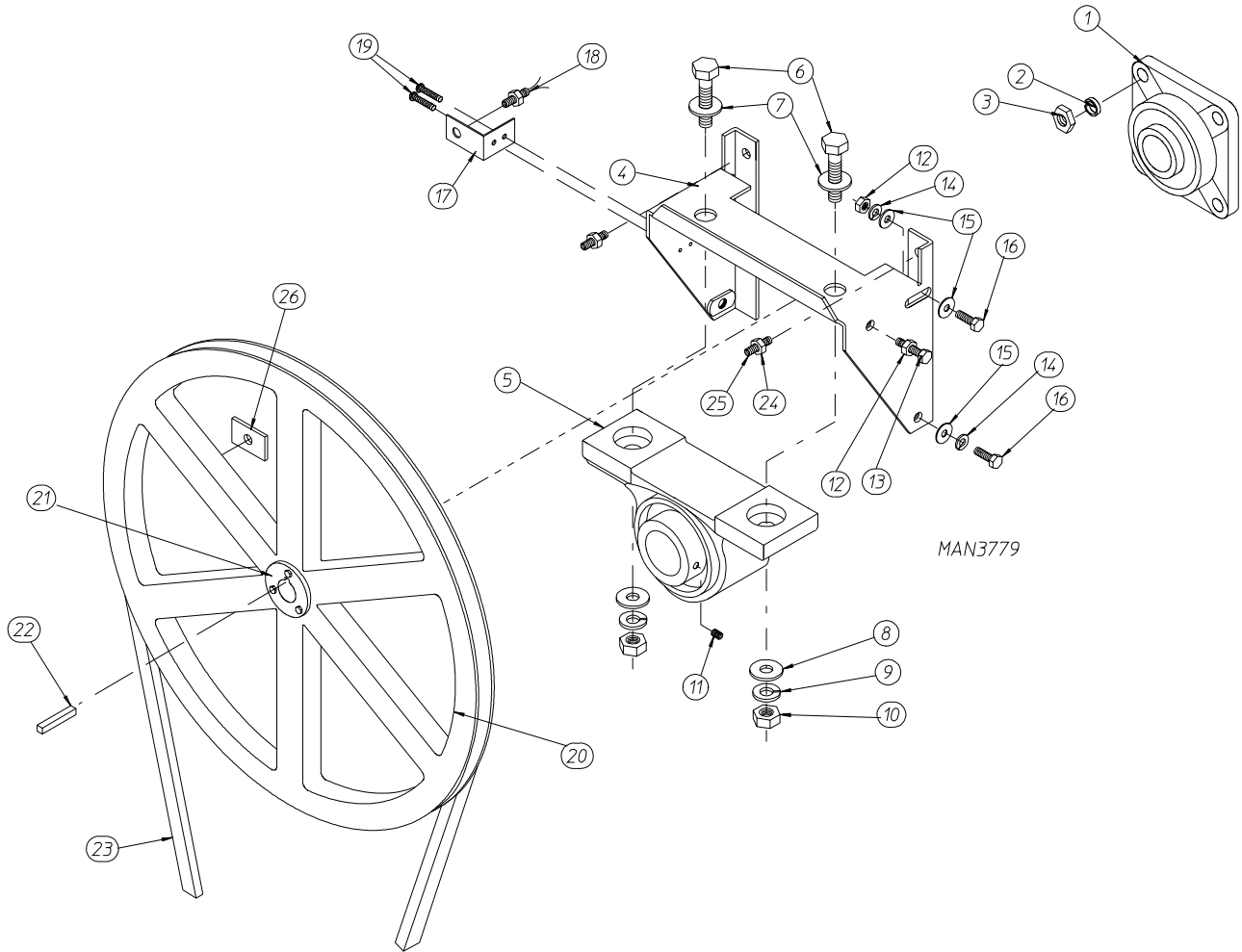


<u>Illus. No.</u>	<u>Part No.</u>	<u>Qty.</u>	<u>Description</u>
1	883523	1	Basket (tumbler) ONLY with Felt Collar
	801773	1	Basket (tumbler) and Support Assembly Complete (includes illus. nos. 1 through 11)
2	801774	1	Basket (tumbler) Support ONLY
3	150500	1	5/16-18 x 3/4" Socket Button Head Screw (for models mfd. prior to April 25, 2002)
4	100912	8	1/2-13 x 25-3/8" Tie Rod
5	116006	1	Felt Collar
	170730	1	Felt Collar Adhesive (10.3 oz. cartridge)...Not Illustrated
6	153028	8	1/2" Flat Washer
7	153026	8	1/2" Lock Washer
8	152011	8	1/2-13 Hex Nut
9	301701	*	Basket (tumbler) Shim
10	314701	4	Basket (tumbler) Rib
11	150313	32	#10-16 x 1/2" TORX Crimptite Screw

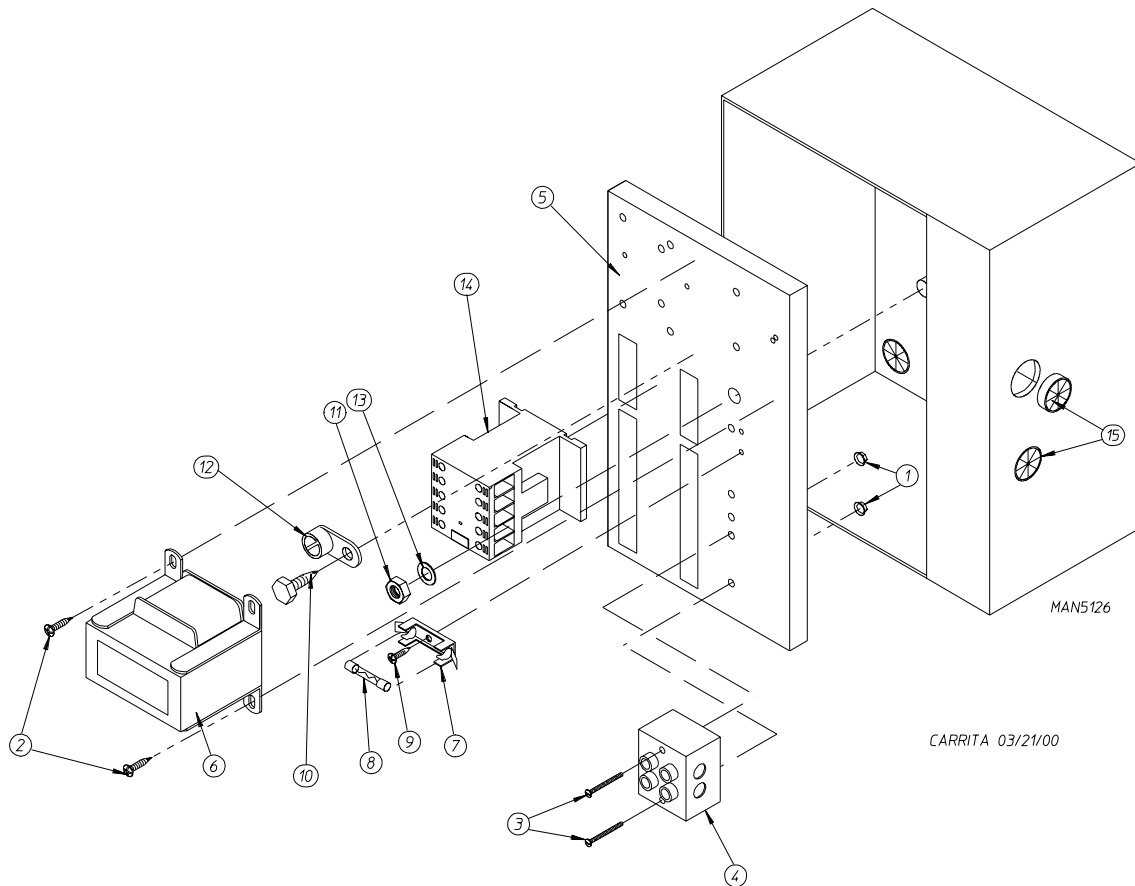
\* As required.



<u>Illus. No.</u>	<u>Part No.</u>	<u>Qty.</u>	<u>Description</u>
1	100185	1	5L-780 V-Belt
2	101140	1	14" x 3" Compound Pulley
3	100178	1	4L-570 V-Belt (idler to motor) (for non-reversing models Only)
4	154301	2	5/16-18 x 1" Allen Setscrew
5	100705	1	3/16" x 3/16" x 1-3/8" Key
6	883473	1	Idler Bearing Assembly Complete (includes illus. nos. 6, 11 and 12)
7	150617	2	3/8-16 x 1" Hex Head Machine Bolt
8	153005	2	3/8" Lock Washer
9	153004	2	3/8" Flat Washer
10	801009	1	Idler Square Washer
11	152005	1	3/8-16 Hex Nut
12	150623	1	3/8-16 x 5" Hex Head Machine Bolt

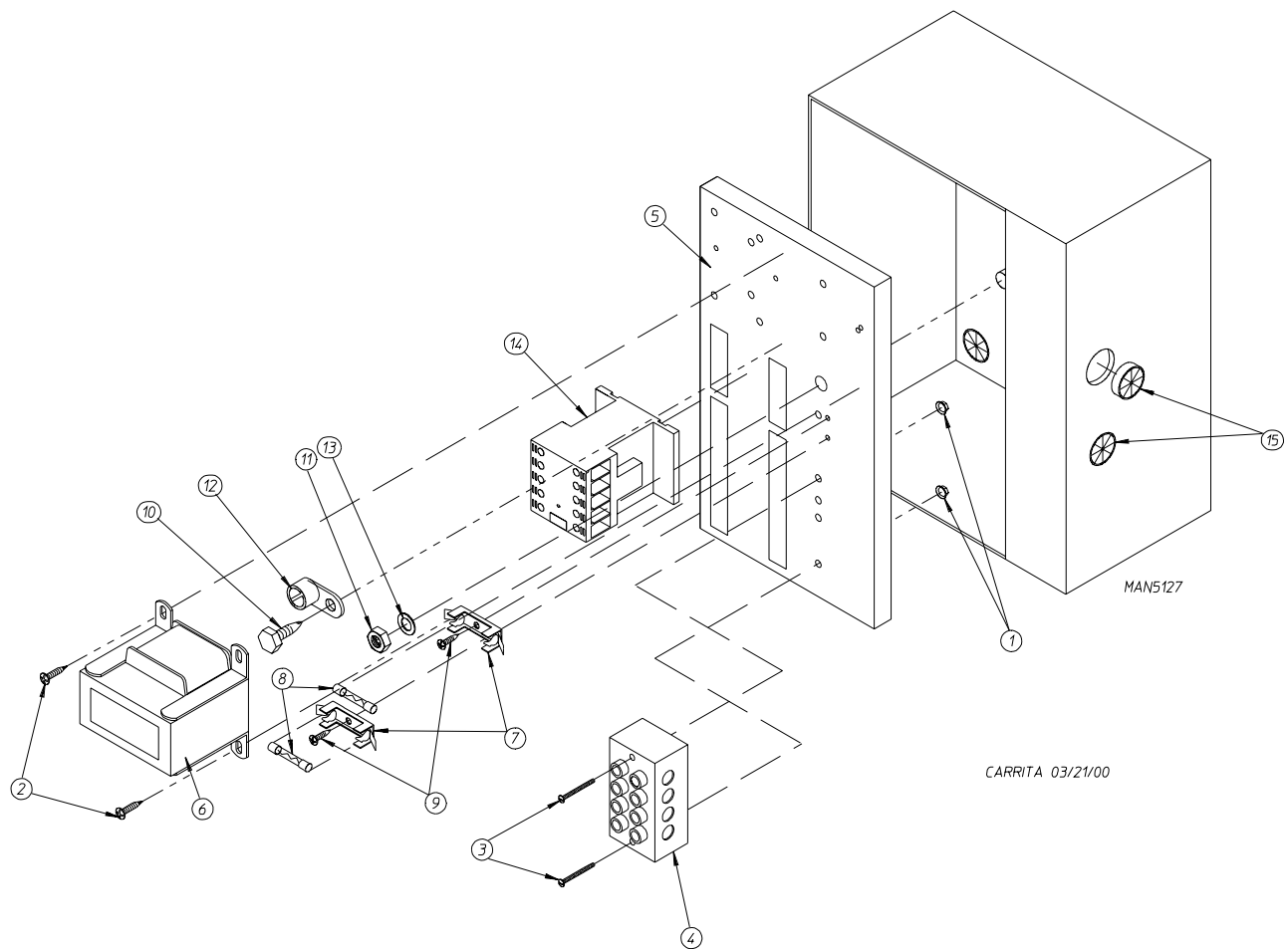


<u>Illus. No.</u>	<u>Part No.</u>	<u>Qty.</u>	<u>Description</u>
1	100244	1	1-15/16" Flange Bearing
2	153025	4	Lock Washer
3	152050	4	Hex Nut
4	801775	1	Pillow Block Bearing Assembly Complete (includes illus. nos. 4 through 13)
	801761	1	Pillow Block Bearing Housing ONLY
5	100245	1	1-15/16" Pillow Block Bearing
6	150633	2	1/2-13 x 2-1/4" Hex Head Bolt
7	153011	2	9/16" Flat Washer
8	153011	2	9/16" Flat Washer
9	153026	2	1/2" Lock Washer
10	152011	2	1/2-13 Hex Nut
11	154322	2	3/8-24 x 7/16" Setscrew
12	152004	2	5/16-18 Hex Nut
13	150621	2	5/16-18 x 1-1/2" Allen Setscrew
14	153002	4	5/16" Lock Washer
15	153001	6	5/16" Flat Washer
16	150621	4	5/16-18 x 3/4" Hex Bolt
17	314746	1	Rotational Sensor Bracket
18	883386	1	Rotational Sensor Assembly
19	150313	2	#10-16 x 1/2" TORX + BTN, Type 1
20	882111	1	18" Pulley with Rotational Sensor Magnet
21	101220	1	1-15/16" Taper Lock Bushing
22	100719	1	1/2" x 1/2" x 1-3/8" Key
23	100185	1	5L-780 V-Belt
24	152004	2	5/16-18 Hex Nut
25	150610	2	5/16-18 x 1-1/2" Allen Setscrew
26	102102	1	Rotational Sensor Magnet
	401010	1	Adhesive for Magnet...Not Illustrated

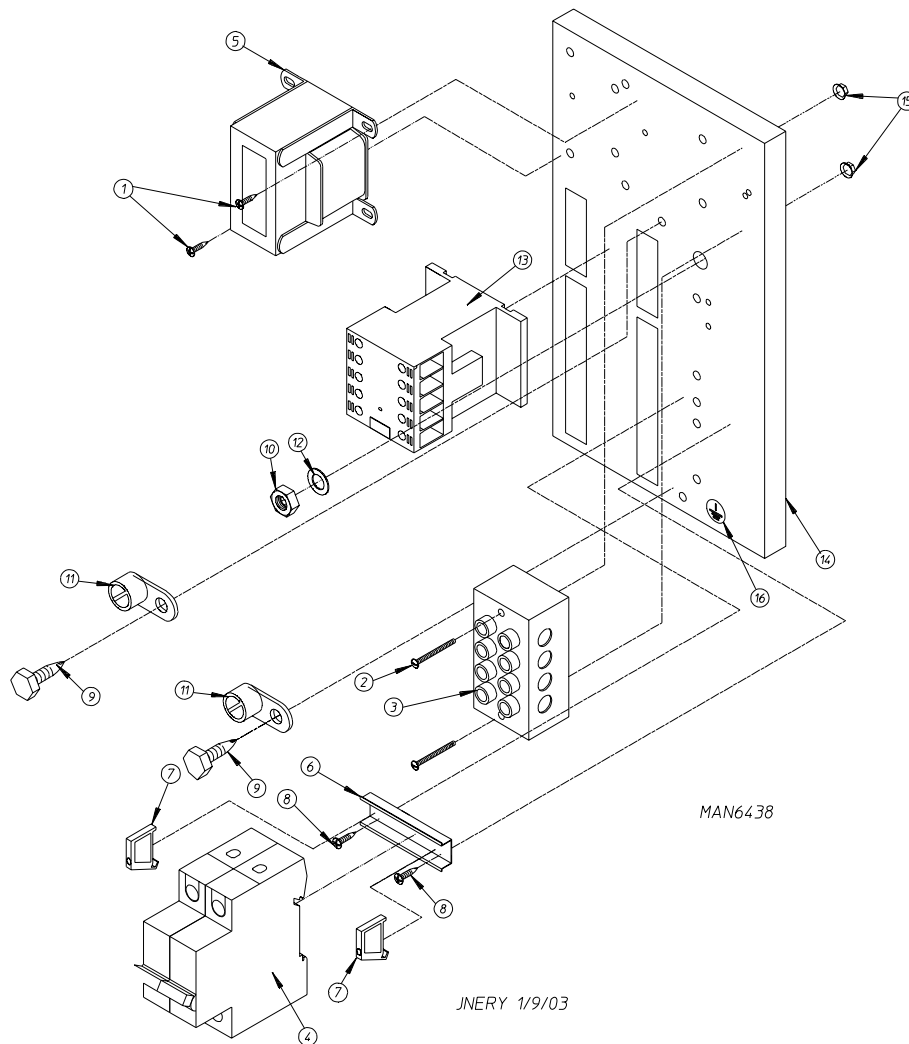


<u>Illus. No.</u>	<u>Part No.</u>	<u>Qty.</u>	<u>Description</u>
1	151000	2	#6-32 Pal Nut
2	150300	2	#10-16 x 1/2" Hex Washer TEK Screw
3	150008	2	#6-32 x 1-1/4" Phillips Pan Head Machine Screw
4	120716	1	2-Position Terminal Block
5	322812	1	Rear Electric Mounting Plate ONLY
	822796	1	Rear Electric Panel Assembly Complete - 115 Volt 1 $\phi$ (includes illus. nos. 1 through 14)
	822798	1	Rear Electric Panel Assembly Complete - 208-240 Volt 1 $\phi$ (includes illus. nos. 1 through 14)
6	830151	1	Transformer Assembly - 115 Volt
	822799	1	Transformer Assembly - 208-240 Volt
7	136008	*	Fuse Holder
8	136057	*	1/2-Amp (Slo-Blo) Fuse
9	150301	2	#8-18 x 7/16" Phillips Pan Head TEK Screw
10	150297	1	#10 x 1/2" Green Hex Washer TEK Screw
11	152004	1	5/16-18 Hex Nut
12	121010	1	L-70 Ground Lug
13	153002	1	5/16" Lock Washer
14	132495	1	3-Pole Contactor
15	121300	3	Open/Closed Bushing

\* Quantity is 1 for 115v and 2 for 208-240v.

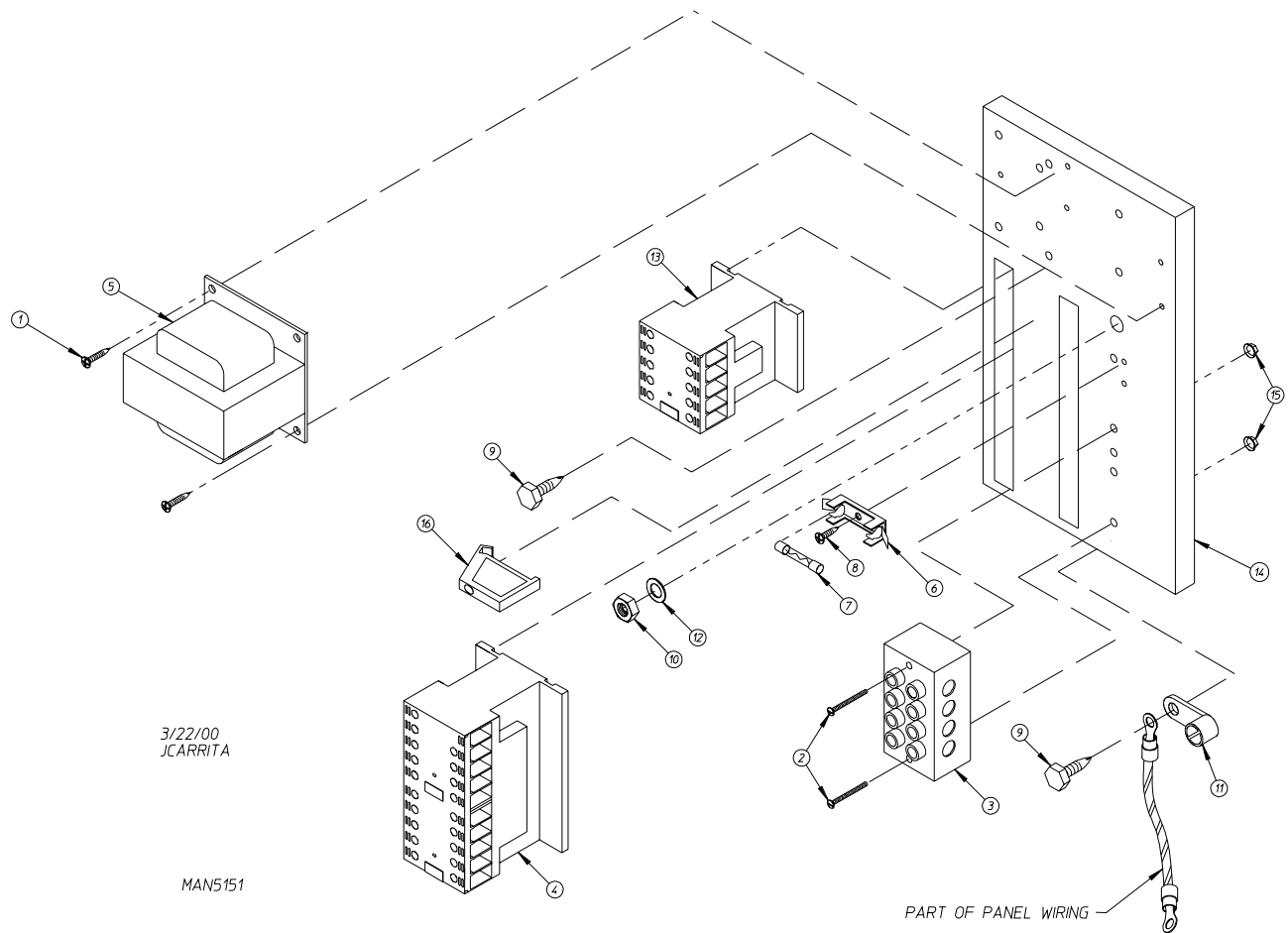


<u>Illus. No.</u>	<u>Part No.</u>	<u>Qty.</u>	<u>Description</u>
1	151000	2	#6-32 Pal Nut
2	150300	2	#10-16 x 1/2" Hex Washer TEK Screw
3	150008	2	#6-32 x 1-1/4" Phillips Pan Head Machine Screw
4	120701	1	4-Position Terminal Block
5	322812	1	Rear Electric Mounting Plate ONLY
	830154	1	Rear Electric Panel Assembly Complete - 208-240 Volt (includes illus. nos. 1 through 14)
6	822799	1	Transformer Assembly
7	136008	2	Fuse Holder
8	136057	2	1/2-Amp (Slo-Blo) Fuse
9	150301	2	#8-18 x 7/16" Phillips Pan Head TEK Screw
10	150297	1	#10 x 1/2" Green Hex Washer TEK Screw
11	152004	1	5/16-18 Hex Nut
12	121010	1	L-70 Ground Lug
13	153002	1	5/16" Lock Washer
14	132495	1	3-Pole Contactor
15	121300	3	Open/Closed Bushing

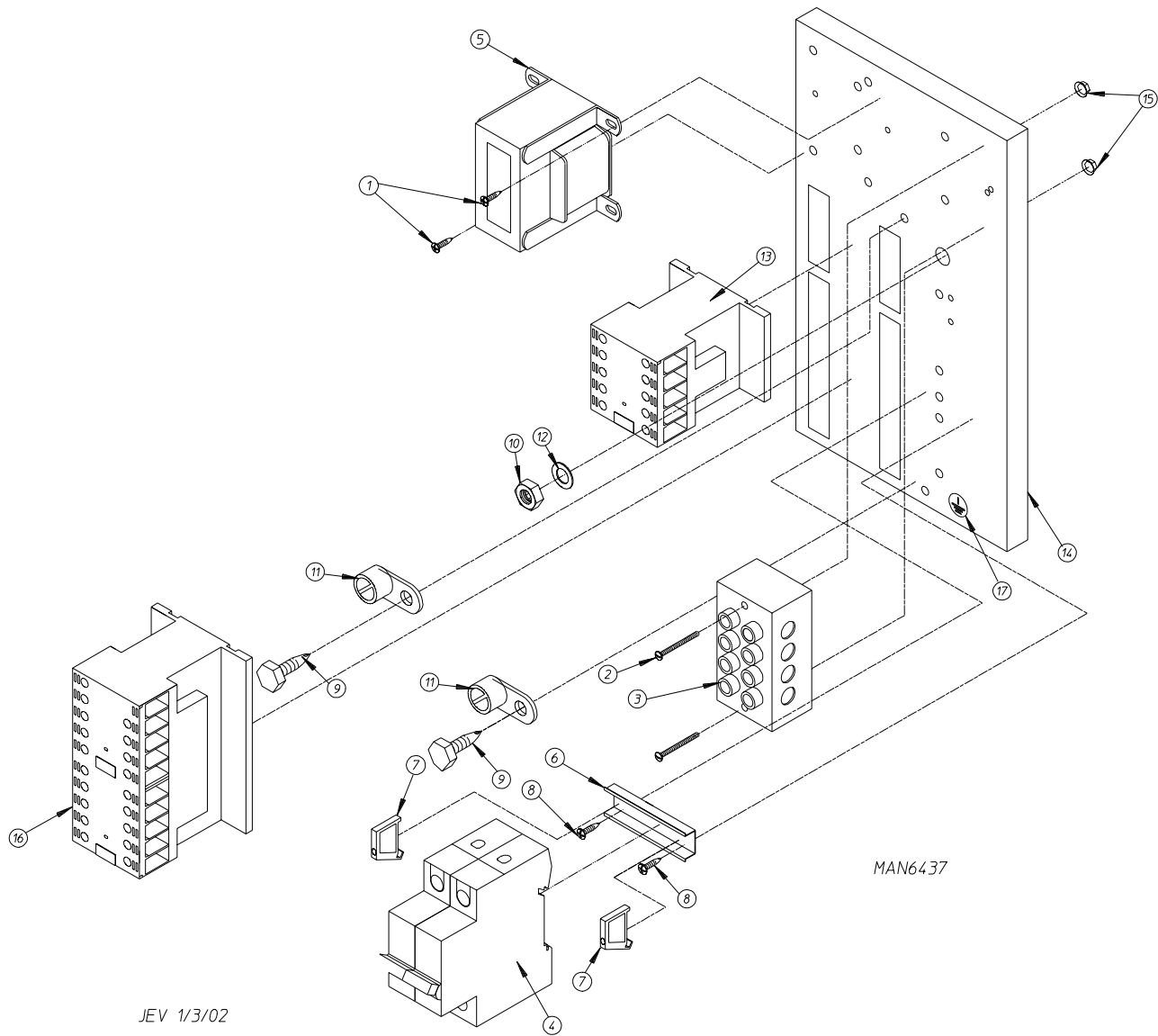


<u>Illus. No.</u>	<u>Part No.</u>	<u>Qty.</u>	<u>Description</u>
1	150300	2	#10-16 x 1/2" Hex Washer TEK Screw
2	150008	2	#6-32 x 1-1/4" Phillips Pan Head Machine Screw
3	120701	1	4-Position Terminal Block
4	135501	1	2-Pole 1-Amp Circuit Breaker
5	824221	1	Transformer Assembly - 460-480 Volt
6	120768	2	35 x 15mm Din Rail
7	120765	2	End Stop
8	150301	2	#8-18 x 7/16" Phillips Pan Head TEK Screw
9	150297	2	#10 x 1/2" Green Hex Washer TEK Screw
10	152004	1	5/16-18 Hex Nut
11	121010	2	L-70 Ground Lug
12	153002	1	5/16" Lock Washer
13	132495	1	3-Pole Contactor
14	322812	1	Rear Electric Mounting Plate ONLY
	830263	1	Rear Electric Panel Assembly Complete - 460-480 Volt (includes illus. nos. 1 through 14)
15	151000	2	#6-32 Pal Nut
16	112075	1	Ground Label



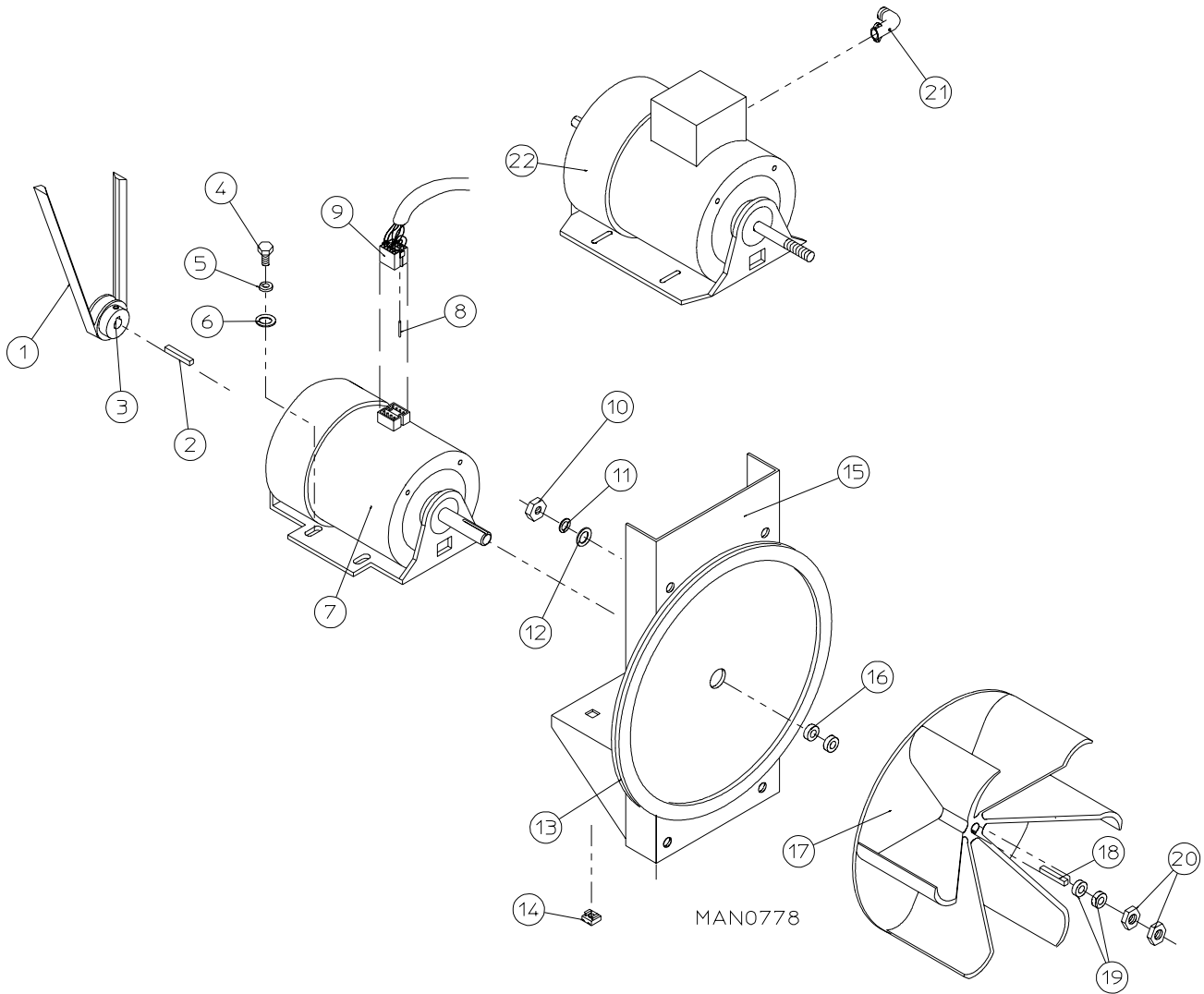


<u>Illus. No.</u>	<u>Part No.</u>	<u>Qty.</u>	<u>Description</u>
1	150300	2	#10-16 x 1/2" Hex Washer TEK Screw
2	150008	2	#6-32 x 1-1/4" Phillips Pan Head Machine Screw
3	120701	1	4-Position Terminal Block
4	132497	1	3-Pole Reversing Contactor
5	822799	1	Transformer Assembly - 208-240 Volt
6	136008	2	Fuse Holder
7	136057	2	1/2-Amp (Slo-Blo) Fuse
8	150301	2	#8-18 x 7/16" Phillips Pan Head TEK Screw
9	150297	1	#10 x 1/2" Green Hex Washer TEK Screw
10	152004	1	5/16-18 Hex Nut
11	121010	1	L-70 Ground Lug
12	153002	1	5/16" Lock Washer
13	132495	1	3-Pole Contactor
14	322812	1	Rear Electric Mounting Plate ONLY
	822771	1	Rear Electric Panel Assembly Complete - 208-240 Volt 3 $\phi$ (includes illus. nos. 1 through 16)
15	151000	2	#6-32 Pal Nut
16	120765	1	Standard End Bracket



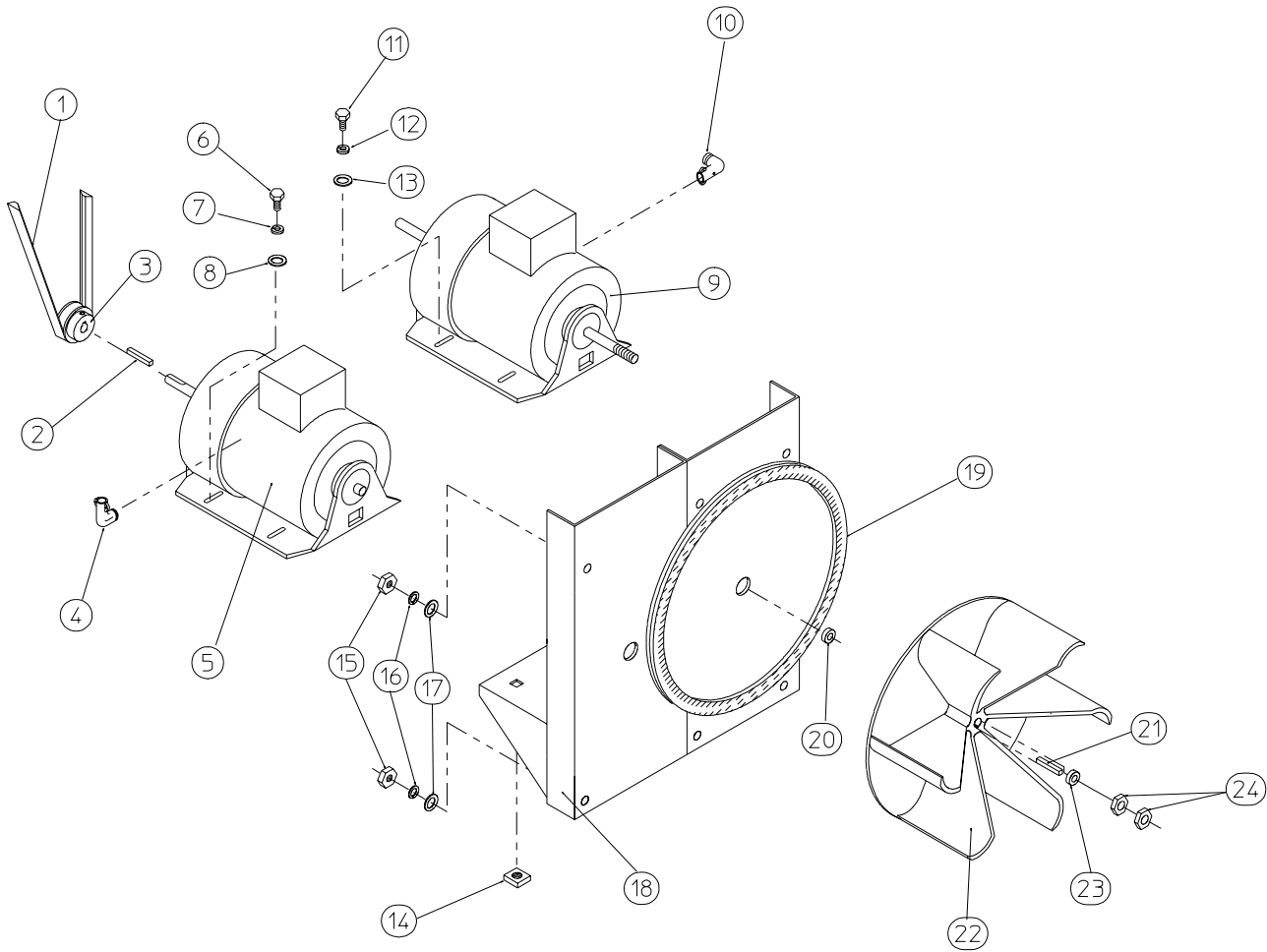
---

<u>Illus. No.</u>	<u>Part No.</u>	<u>Qty.</u>	<u>Description</u>
1	150300	2	#10-16 x 1/2" Hex Washer TEK Screw
2	150008	2	#6-32 x 1-1/4" Phillips Pan Head Machine Screw
3	120701	1	4-Position Terminal Block
4	135501	1	2-Pole 1-Amp Circuit Breaker
5	824221	1	Transformer Assembly - 460-480 Volt
6	120768	2	35 x 15mm Din Rail
7	120765	2	Standard End Bracket
8	150301	2	#8-18 x 7/16" Phillips Pan Head TEK Screw
9	150297	2	#10 x 1/2" Green Hex Washer TEK Screw
10	152004	1	5/16-18 Hex Nut
11	121010	2	L-70 Ground Lug
12	153002	1	5/16" Lock Washer
13	132495	1	3-Pole Contactor
14	322812	1	Rear Electric Mounting Plate ONLY
	830147	1	Rear Electric Panel Assembly Complete - 460-480 Volt (includes illus. nos. 1 through 16)
15	151000	2	#6-32 Pal Nut
16	132497	1	3-Pole Reversing Contactor
17	112075	1	Ground Label



<u>Illus. No.</u>	<u>Part No.</u>	<u>Qty.</u>	<u>Description</u>
1	100178	1	4L-570 V-Belt (motor to idler)
2	100701	1	3/16" x 3/16" x 1" Key
3	101133	1	5/8" x 2-1/4" Motor Pulley (60 Hz Only)
4	150501	4	5/16-18 x 3/4" Hex Head Machine Bolt
5	153002	4	5/16" Lock Washer
6	153001	4	5/16" Flat Washer
7	100073*	1	1 HP 120/208/230v 1ø 60 Hz Totally Enclosed, Fan-Cooled (T.E.F.C.) Motor with Plug (56Z frame)
8	122701	8	Socket Terminal
	122801	1	Pin/Socket Extraction Tool...Not Illustrated
9	137030	1	8-Pin Housing Connector
	814764	1	120 Volt - 1ø Motor Harness...Not Illustrated
10	152004	4	5/16-18 Hex Nut
11	153002	4	5/16" Lock Washer
12	153001	4	5/16" Flat Washer
13	117604	4	Noise Suppression Tape (sold by the foot)
14	154000	4	5/16-18 Tinnerman Nut
15	803561	1	Non-Reversing Motor Mount ONLY (56Z frame)
	803945*	1	1 HP 120/230v 1ø 60 Hz Totally Enclosed, Fan-Cooled (T.E.F.C.) Motor Mount Assembly with Plug Complete (includes illus. nos. 2 through 7 and 13 through 20)
	803955*	1	1 HP 230/380/460v 3ø 60 Hz Non-Reversing Totally Enclosed, Fan-Cooled (T.E.F.C.) Motor Mount Assembly Complete (includes illus. nos. 2 through 6 and 13 through 22)
16	153051	1	3/4" S.A.E. Flat Washer
17	882670	1	16" Impellor with 3/4" Bore
18	100714	1	3/16" x 3/16" x 1-7/8" Key
19	153050	2	1/2" S.A.E. Flat Washer
20	152006	2	1/2-20 Left Hand Jam Nut
21	120200	1	3/8" x 90° Connector
	814772	1	3ø Motor Harness...Not Illustrated
22*	100075	1	1 HP 208/230/240/460v 3ø 50/60 Hz Totally Enclosed, Fan-Cooled (T.E.F.C.) Motor

\* Specify voltage when ordering.

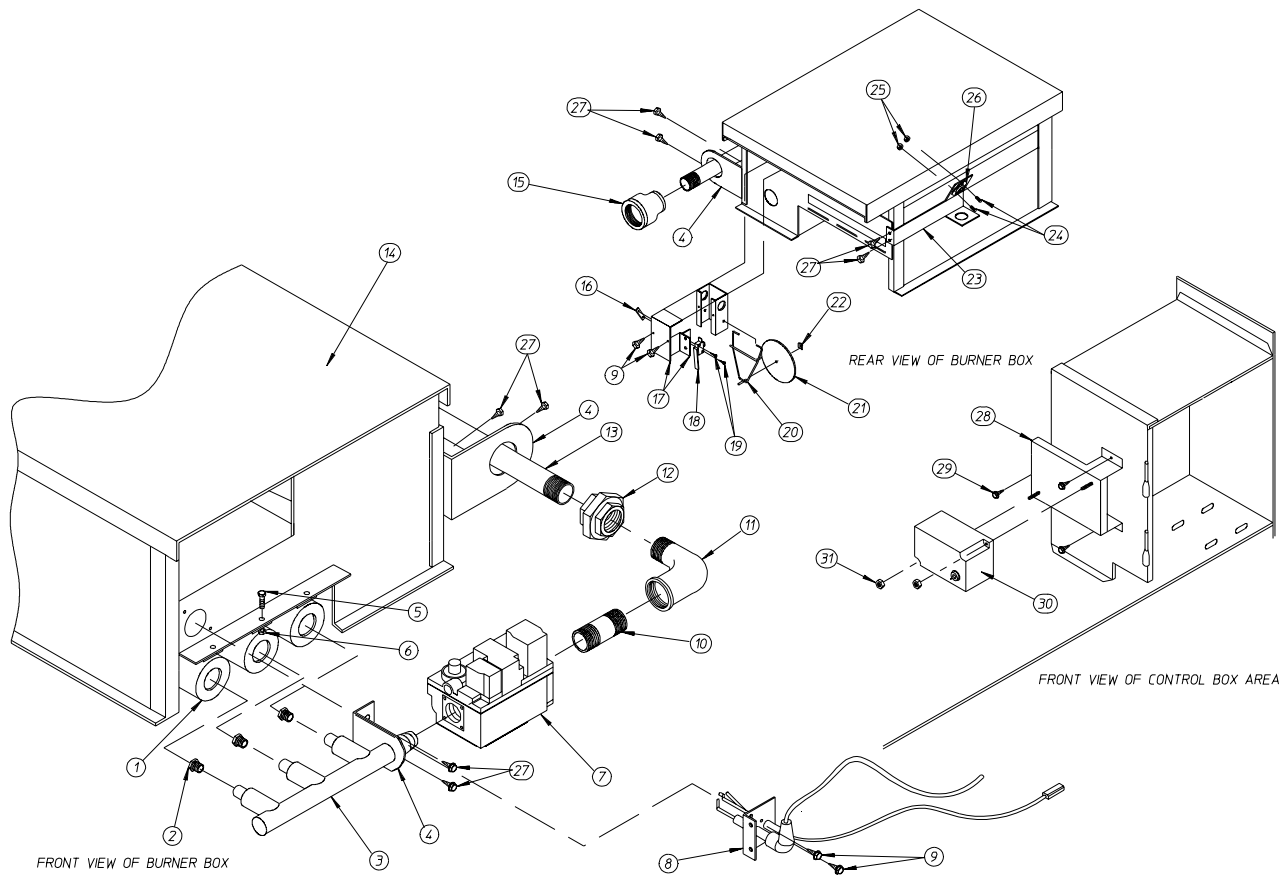


MAN0250

<u>Illus. No.</u>	<u>Part No.</u>	<u>Qty.</u>	<u>Description</u>
1	100178	1	4L-570 V-Belt (motor to idler)
2	100701	1	3/16" x 3/16" x 1" Key
3	101133	1	5/8" x 2-1/4" Motor Pulley (60 Hz Only)
	101130	1	5/8" x 2-1/2" Motor Pulley (50 Hz Only)
4	120200	1	3/8" x 90° Connector
	814780	1	3ø Drive Motor Harness
5*	181003	1	1/2 HP 208/230/380/460v 3ø 50/60 Hz Totally Enclosed, Fan-Cooled (T.E.F.C.) Motor (56Z frame)
6	150501	4	5/16-18 x 3/4" Hex Head Machine Bolt
7	153002	4	5/16" Lock Washer
8	153001	4	5/16" Flat Washer
9*	100075	1	1 HP 220/230/380/460v 3ø 50/60 Hz Totally Enclosed, Fan-Cooled (T.E.F.C.) Motor with 3/4" Shaft (56Z frame)
10	120200	1	3/8" x 90° Connector
	814779	1	3ø Blower Motor Harness
11	150501	4	5/16-18 x 3/4" Hex Head Machine Bolt
12	153002	4	5/16" Lock Washer
13	153001	4	5/16" Flat Washer
14	154000	8	5/16" Tinnerman Nut
15	152004	7	5/16" Hex Nut
16	153002	4	5/16" Lock Washer
17	153001	4	5/16" Flat Washer
18	803566	1	Reversing Motor Mount ONLY (56Z frame)
	804029*	1	Reversing Totally Enclosed, Fan-Cooled (T.E.F.C.) Motor Mount Assembly Complete (for 60 Hz models Only) (includes illus. nos. 2 through 14 and 18 through 24)
	804030*	1	Reversing Totally Enclosed, Fan-Cooled (T.E.F.C.) Motor Mount Assembly Complete (for 50 Hz models Only) (includes illus. nos. 2 through 14 and 18 through 24)
19	117604	4	Noise Suppression Tape (sold by the foot)
20	153050	1	1/2" S.A.E. Flat Washer
21	100702	1	1/8" x 1/8" x 1-1/2" Key
22	882670	1	16" Impellor with 3/4" Bore
23	153050	**	1/2" S.A.E. Flat Washer
24	152006	2	1/2-20 Left Hand Jam Nut

\* Specify voltage when ordering.

\*\* As required.

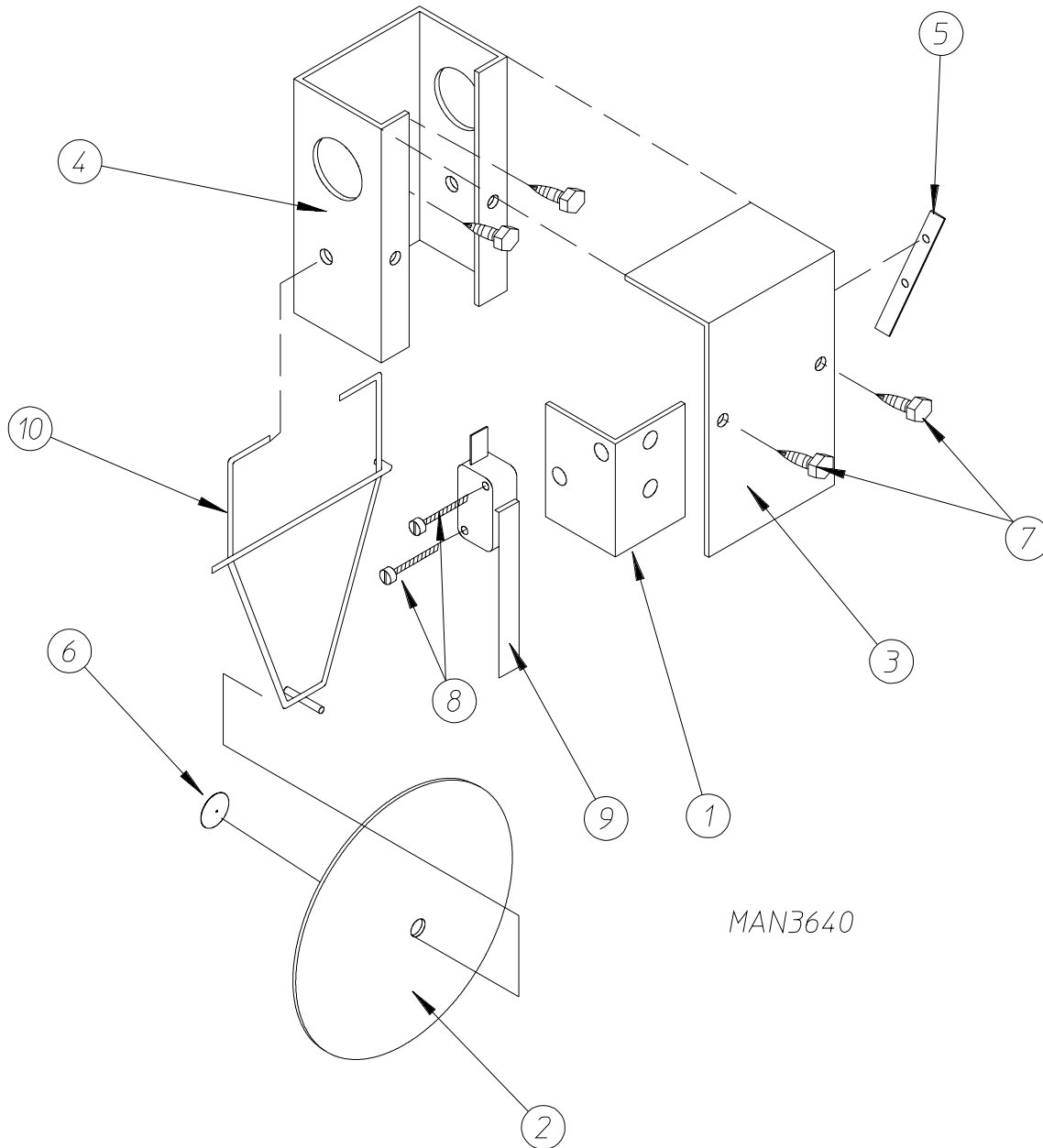


MFM 12/11/01

MAN6033

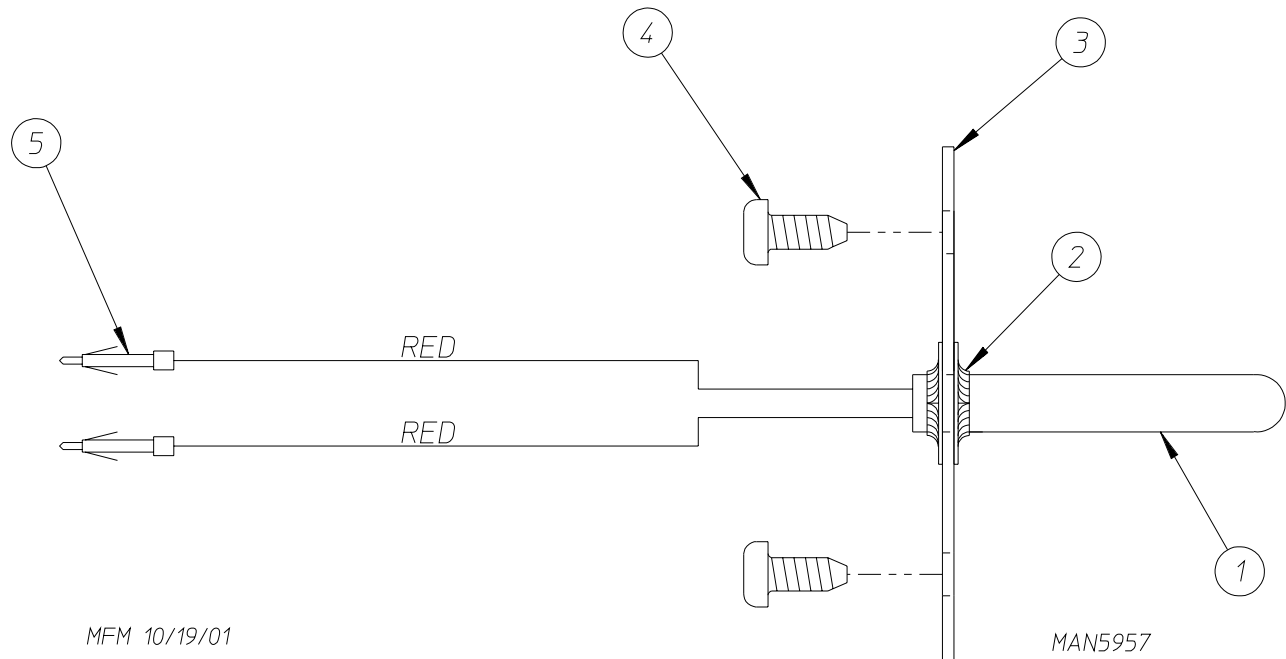


<u>Illus. No.</u>	<u>Part No.</u>	<u>Qty.</u>	<u>Description</u>
1	141105	3	Large Tube Burner
2	140828	3	#20 Burner Orifices (natural gas) ONLY
	140810	3	#42 Burner Orifices (liquid propane [L.P.] gas) ONLY
3	141232	1	1/2" Direct Spark Ignition (DSI) Manifold (3-port)
4	318700	3	Pipe Bracket (bent)
5	150108	3	#8-32 x 1/2" Pan Head Machine Screw
6	151001	3	#8-32 Pal Nut
7	128927	1	Gas Valve
8	809309	1	Ignitor Probe Assembly
9	150300	4	#10-16 x 1/2" Hex Washer TEK Screw
10	142707	1	1" x 1-1/2" Nipple
11	142506	1	1/2" x 1/2" Street Elbow
12	142600	1	1/2" Black Union
13	142804	1	1/2" x 24" Pipe
14	801704	1	Direct Spark Ignition (DSI) Burner Assembly (natural gas) ONLY (includes illus. nos. 1 and 3 through 27)
	801705		Direct Spark Ignition (DSI) Burner Assembly (liquid propane [L.P.] gas) ONLY (includes illus. nos. 1 and 3 through 27)
15	143000	1	1/2" x 3/4" Reducing Coupling
16	154004	1	Twin Speed Nut
17	802799	1	Sail Switch Top and Switch Bracket
18	122200	1	Sail Switch
19	150303	2	#4 x 3/4" Pan Head "A" Machine Screw
20	105500	1	Sail Switch Actuator Rod
21	319202	1	Sail Switch Damper (flat)
22	154002	1	1/8" Push On Fastener
23	319704	1	Hi-Limit Mounting Bracket
24	150001	2	#6-32 x 1/2" Round Head Machine Screw
25	151000	2	#6-32 Pal Nut
26	130201	1	330° Hi-Limit Manual Reset
27	150309	8	#10-16 x 1/2" Hex Head TEK Crimptite Screw
28	810030	1	Direct Spark Ignition (DSI) Mounting Bracket
29	150300	3	#10-16 x 1/2" Hex Washer TEK Screw
30	128935	1	Johnson Controls Direct Spark Module
31	152013	2	#6-32 Hex Nut

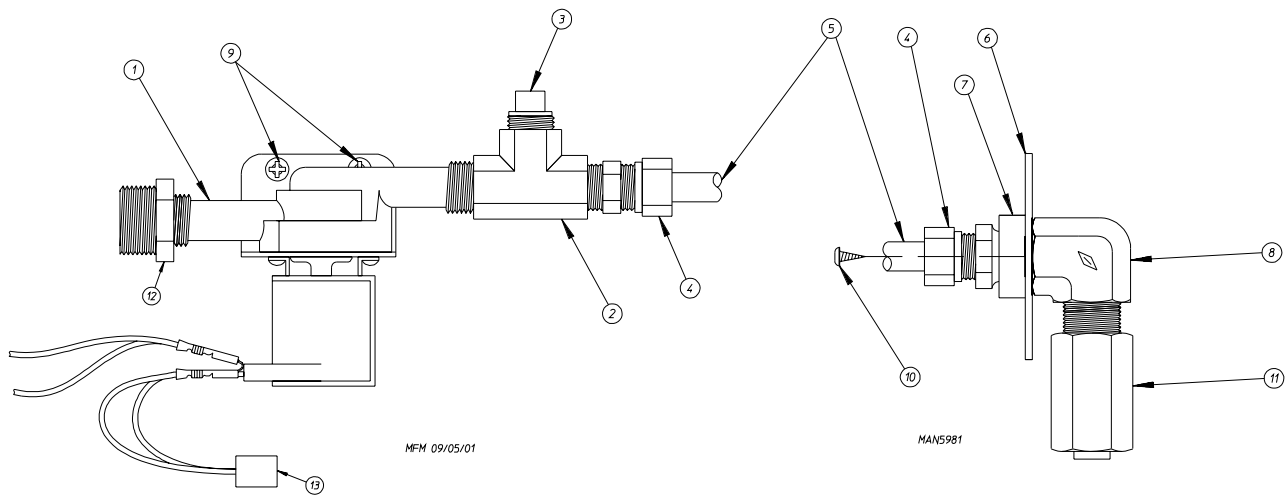


MAN3640

<u>Illus. No.</u>	<u>Part No.</u>	<u>Qty.</u>	<u>Description</u>
1	319203	1	Sail Switch Mounting Bracket
2	319202	1	Sail Switch Damper (flat)
3	319201	1	Sail Switch Box Cover
4	319200	1	Sail Switch Box
5	154004	1	Twin Speed Nut
6	154002	1	1/8" Push On Fastener
7	150309	4	#10-16 x 1/2" Hex Head TEK Crimptite Screw
8	150303	2	#4 x 3/4" Pan Head "A" Machine Screw
9	122200	1	Sail Switch ONLY
	881706	1	Sail Switch Box Assembly Complete (includes illus. nos. 1 through 10)
10	105500	1	Sail Switch Actuator Rod

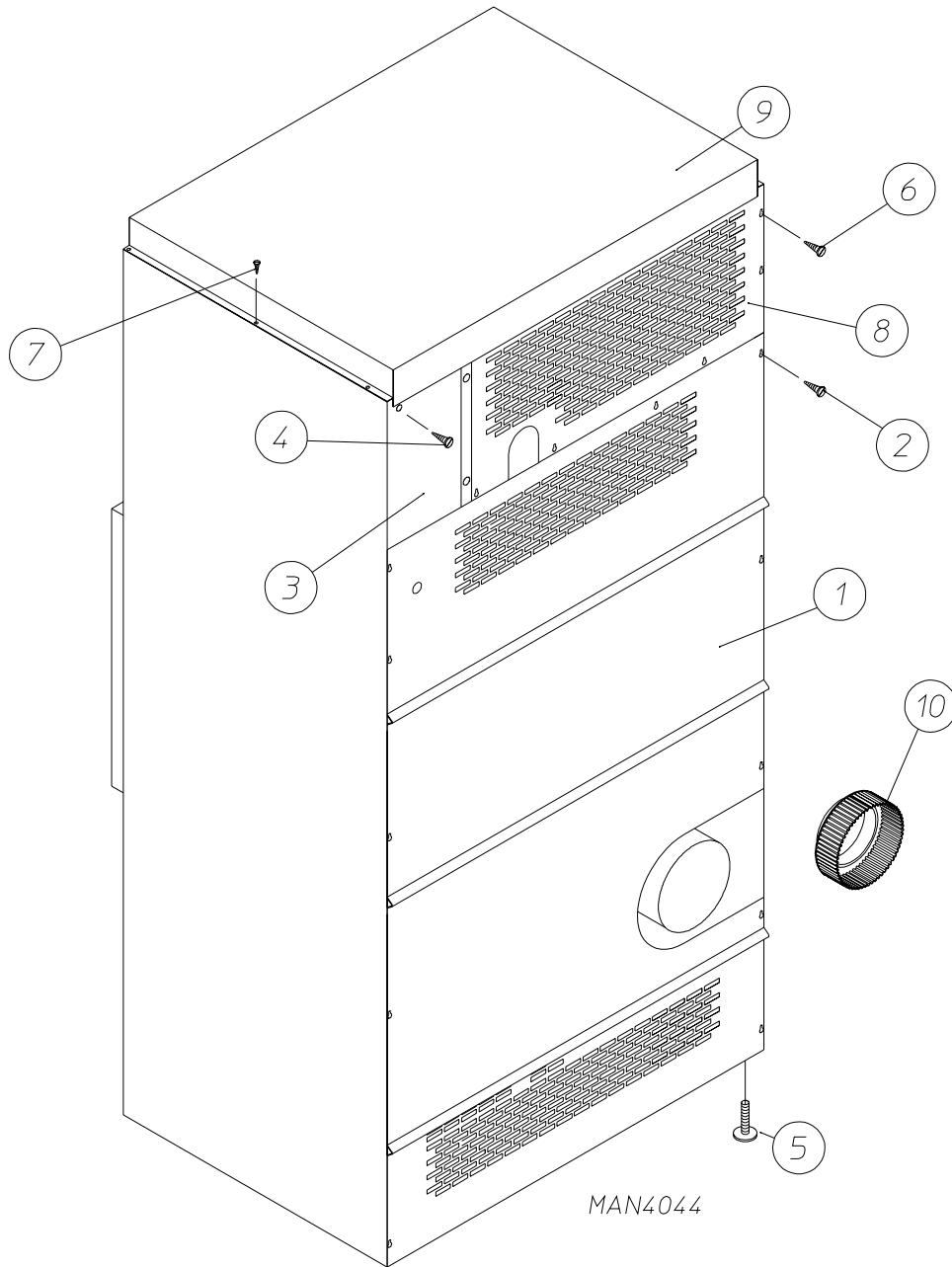


<u>Illus. No.</u>	<u>Part No.</u>	<u>Qty.</u>	<u>Description</u>
1	822752	1	Fire Suppression System (FSS) Temperature Probe Assembly (includes illus. nos. 1 through 5)
2	154007	2	Push On Fastener
3	390390	1	Sensor Bracket ONLY
4	150301	2	#8-18 x 7/16" Phillips Pan Head TEK Screw
5	122643	2	Pins
	122647	1	Connector ONLY...Not Illustrated ( <b>does not</b> include pins)



<u>Illus. No.</u>	<u>Part No.</u>	<u>Qty.</u>	<u>Description</u>
1	165114	1	Fire Suppression System (FSS) Solenoid Valve 24V 50/60 Hz
2	143220	1	3/8" F.P.T. Brass Tree
3	143251	1	3/8" M.P.T. Brass Plug
4	143208	2	3/8" Comp x 3/8" M.P.T. Brass Connector
5	143099*	6'	3/8" OD x 0.035 Wall Copper Tubing
6	311588	1	Sprinkler Head Mounting Plate
7	143303	1	3/8" N.P.T. Brass Locknut
8	143155	1	3/8" Brass Elbow 90°
9	150430	2	#10 x 1/2" Self Drilling Screw
10	150301	2	#8-18 x 7/16" Phillips Pan Head TEK Screw
11	143581	1	3 GPM 3/8" F.P.T. Spray Nozzle
12	142888	1	1/2" to 3/8" Bushing for Fire Suppression System (FSS) Valve
13	824828	1	Arc Suppressor (A.S.)

\* Sold by the foot.



<u>Illus. No.</u>	<u>Part No.</u>	<u>Qty.</u>	<u>Description</u>
1	314501	1	Bottom Back Guard (for models mfd. as of July 13, 1998)
2	150301	12	#8-18 x 7/16" Phillips Pan Head TEK Screw
3	322809	1	Rear Electrical Box Cover
4	150301	4	#8-18 x 7/16" Phillips Pan Head TEK Screw
5	103500	4	Leveling Leg
6	150301	7	#8-18 x 7/16" Phillips Pan Head TEK Screw
7	150301	12	#8-18 x 7/16" Phillips Pan Head TEK Screw
8	314738	1	Top Back Guard
9	314737	1	Outer Top
10	882099	1	8" to 10" Increaser

<u>Part No.</u>	<u>Description</u>
114001	“CAUTION - Exhausted” Label
114004	“CAUTION - Rotating Parts”
114005	“DANGER - Hot”
114006	“WARNING - Fire Hazards” Label
114007	“DANGER - High Voltage”
114008	“WARNING - Fumes”
114072	“Exhaust Warning”
114533	120V Electric Service Label
120100	3/8” Straight (BX) Connector
120300	3/8” x 45° (BX) Connector
120400	3/8” Red Jacket (BX) Insulator
120500	3/8” Jiffy Clip (BX retainer clip)
120600	3/8” Greenfield (BX)
120800	1/4” In-Line Connector
120802	Red Butt Connector
120902	#74B Wire Nut
120903	Crimp-On Wire Nut
121014	1/4” Insulated (female) Terminal
121499	5-1/2” Harness Tie
121500	8” Harness Tie
121503	Harness Tie Mounting Clip
122804	Manometer (hydro gauge) for Measuring Gas Pressure
404502	White Brush-In-Cap Bottle Touch-Up Paint
404507	Cornflower Blue Brush-In-Cap Bottle Touch-Up Paint
882458	Basket (tumbler) Bearing Puller

