



# **ML-82 Parts Manual**

## **Phase 7 Microprocessor with FSS Options**

---

**American Dryer Corporation**  
88 Currant Road  
Fall River, MA 02720-4781  
Telephone: (508) 678-9000 / Fax: (508) 678-9447  
E-mail: [techsupport@amdry.com](mailto:techsupport@amdry.com)  
[www.amdry.com](http://www.amdry.com)

# Retain This Manual In A Safe Place For Future Reference

American Dryer Corporation products embody advanced concepts in engineering, design, and safety. If this product is properly maintained, it will provide many years of safe, efficient, and trouble free operation.

*ONLY qualified technicians should service this equipment.*

**OBSERVE ALL SAFETY PRECAUTIONS** displayed on the equipment or specified in the installation manual included with the dryer.

The following “**FOR YOUR SAFETY**” caution **must be** posted near the dryer in a prominent location.

**FOR YOUR SAFETY**

Do not store or use gasoline or other flammable vapors and liquids in the vicinity of this or any other appliance.

**POUR VOTRE SÉCURITÉ**

Ne pas entreposer ni utiliser d'essence ni d'autres vapeurs ou liquides inflammables à proximité de cet appareil ou de tout autre appareil.

We have tried to make this manual as complete as possible and hope you will find it useful. **ADC** reserves the right to make changes from time to time, without notice or obligation, in prices, specifications, colors, and material, and to change or discontinue models.

## Important

For your convenience, log the following information:

**DATE OF PURCHASE** \_\_\_\_\_ **MODEL NO.** ML-82 Phase 7

**RESELLER'S NAME** \_\_\_\_\_

**Serial Number(s)** \_\_\_\_\_

\_\_\_\_\_

\_\_\_\_\_

Replacement parts can be obtained from your reseller or the **ADC** factory. When ordering replacement parts from the factory, you can FAX your order to **ADC** at (508) 678-9447 or telephone your order directly to the **ADC** Parts Department at (508) 678-9000. Please specify the dryer **model number** and **serial number** in addition to the **description** and **part number**, so that your order is processed accurately and promptly.

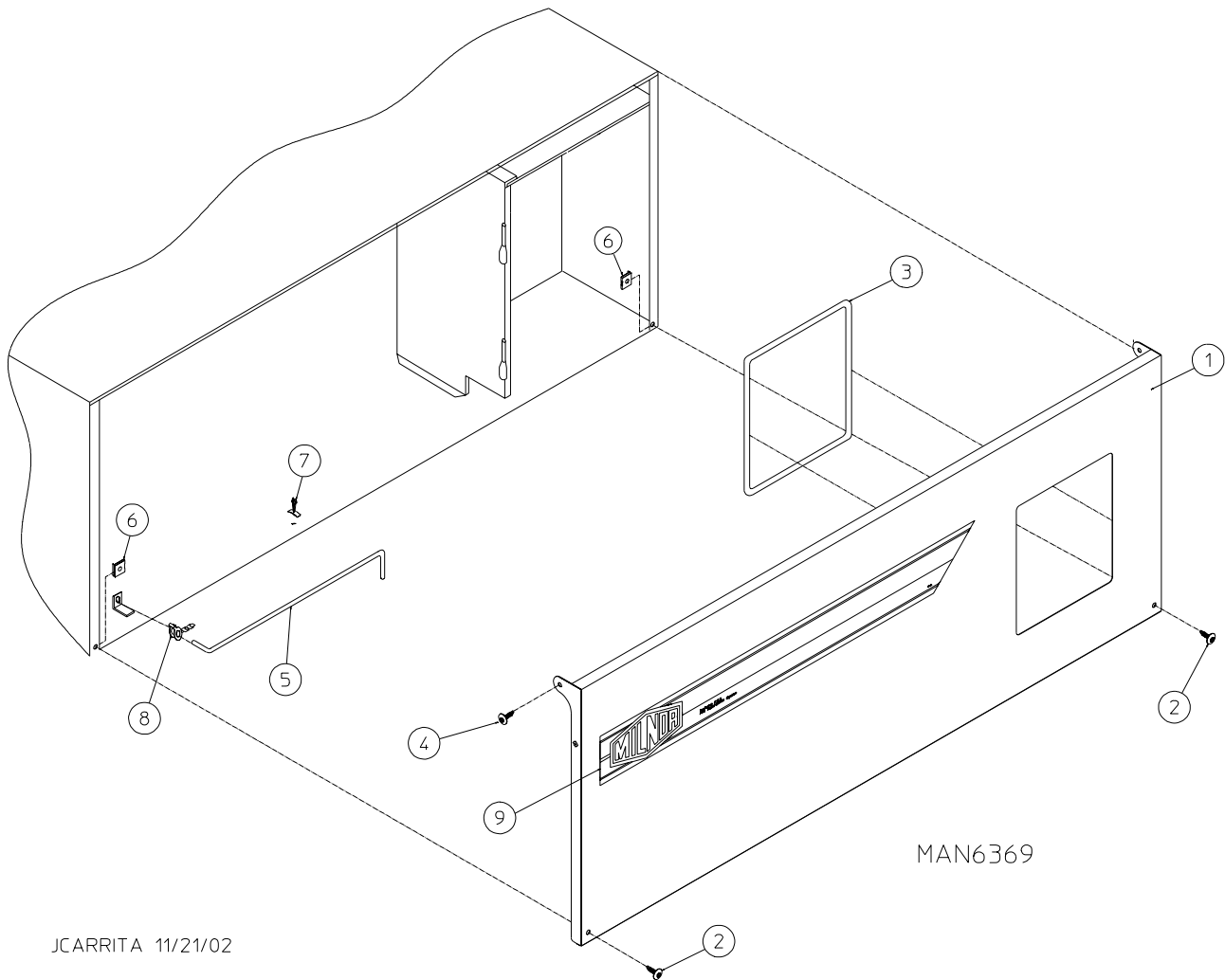
The illustrations on the following pages may not depict your particular dryer exactly. The illustrations are a composite of the various dryer models. Be sure to check the descriptions of the parts thoroughly before ordering.

**“IMPORTANT NOTE TO PURCHASER”**

Information **must be** obtained from your local gas supplier on the instructions to be followed if the user smells gas. These instructions **must be** posted in a prominent location near the dryer.

# ***Table of Contents***

Phase 7 OPL Microprocessor Control Door Assembly	
For Models Mfd. as of July 10, 2002 .....	2
Control Door Assembly	
For Models Mfd. between September 24, 2001 and July 9, 2002 .....	3
Control Door Assembly	
For Models Mfd. prior to September 24, 2001 .....	4
Phase 7 OPL Microprocessor Control Panel Assembly .....	5
Phase 7 OPL Microprocessor Control Box Assembly .....	6
Front Panel/Main Door Assemblies .....	7
Main Door Switch Assembly .....	8
Front Panel Assembly .....	9
Lint Drawer with Cloth Lint Screen/Lint Drawer Switch Assemblies .....	10
Sensor Bracket Assembly .....	11
Basket (Tumbler)/Support Assemblies .....	12, 13
Basket (Tumbler) Bearing Assembly	
For Models Mfd. with Griplock Type Bearings .....	14, 15
Basket (Tumbler) Bearing Assembly	
For Models Mfd. without Griplock Type Bearings .....	16, 17
Idler Bearing Assembly .....	18, 19
Reversing T.E.F.C. Motor Mount Assembly .....	20, 21
Direct Spark Ignition (DSI) Burner Assembly .....	22, 23
Hot Surface Ignition (HSI) Burner Assembly .....	24, 25
Sail Switch Assembly .....	26
208-240V Reversing Relay Assembly	
For Models Mfd. as of January 23, 2003 .....	27
460-480V Reversing Relay Panel Assembly	
For Models Mfd. as of January 23, 2003 .....	28
208-240V Reversing Relay Panel Assembly	
For Models Mfd. prior to January 23, 2003 .....	29
460-480V Reversing Relay Panel Assembly	
For Models Mfd. prior to January 23, 2003 .....	30
FSS Temperature Probe Assembly .....	31
FSS Solenoid Assembly .....	32
Outer Top/Back Guard Assemblies .....	33
Additional Parts Available .....	34

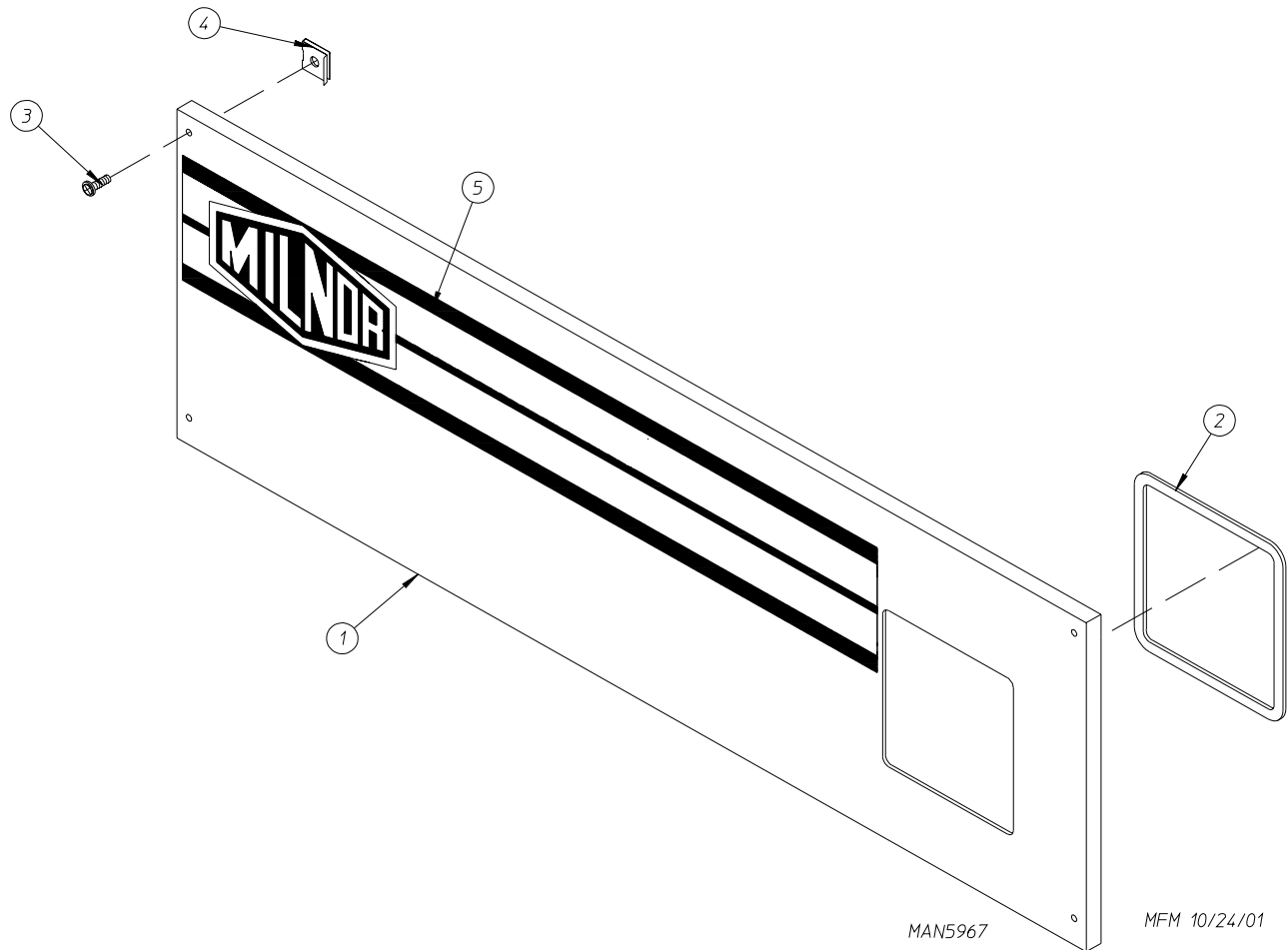


JCARRITA 11/21/02

<u>Illus. No.</u>	<u>Part No.</u>	<u>Qty.</u>	<u>Description</u>
1	883576	1	OPL Control Door (includes illus. nos. 1 and 3)
2	150321	2	#10-32 x 1/2" Phillips Machine Screw
3	117604	4	Noise Suppressor Tape (sold by the foot)
4	150317	2	#10-16 x 3/4" TORX + BTN, Type 1
5	102503	1	Control Door Support Rod
6	154011	2	#10-32 Multi-Thread U-Nut
7	102603	1	Control Door Rod Support Latch
8	102601	1	Control Door Rod Retainer Clip
9	-----*	1	Logo ONLY

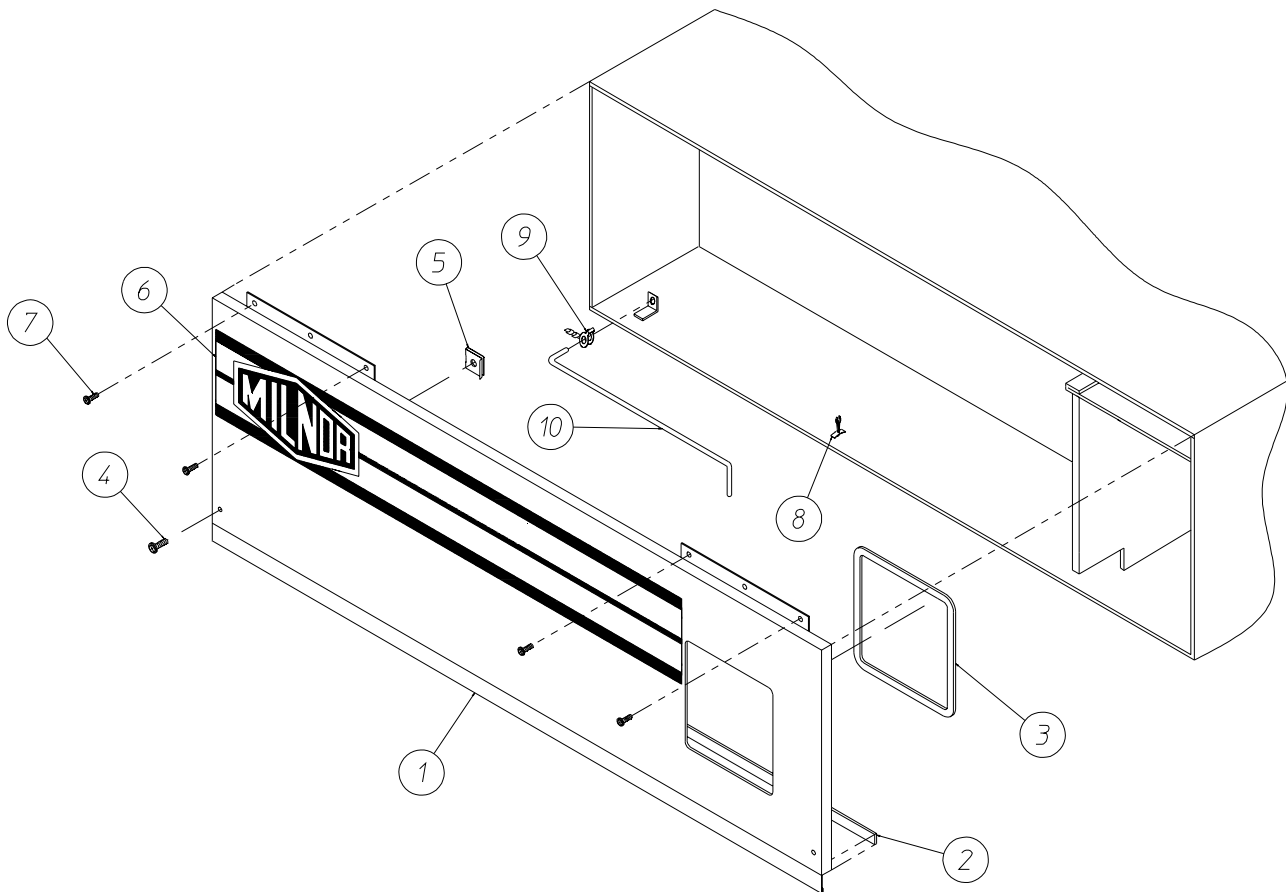
\* Contact reseller for logo.

For Models Mfd. between September 24, 2001 and July 9, 2002



<u>Illus. No.</u>	<u>Part No.</u>	<u>Qty.</u>	<u>Description</u>
1	824254	1	Phase 7 Control Door without Hinge (includes illus. nos. 1 and 2)
2	117604	2	Noise Suppressor Tape (sold by the foot)
3	150314	4	#10-32 x 1/2" TORX Screw
4	154011	4	#10-32 Multi-Thread U-Nut
5	112366	1	Milnor Logo

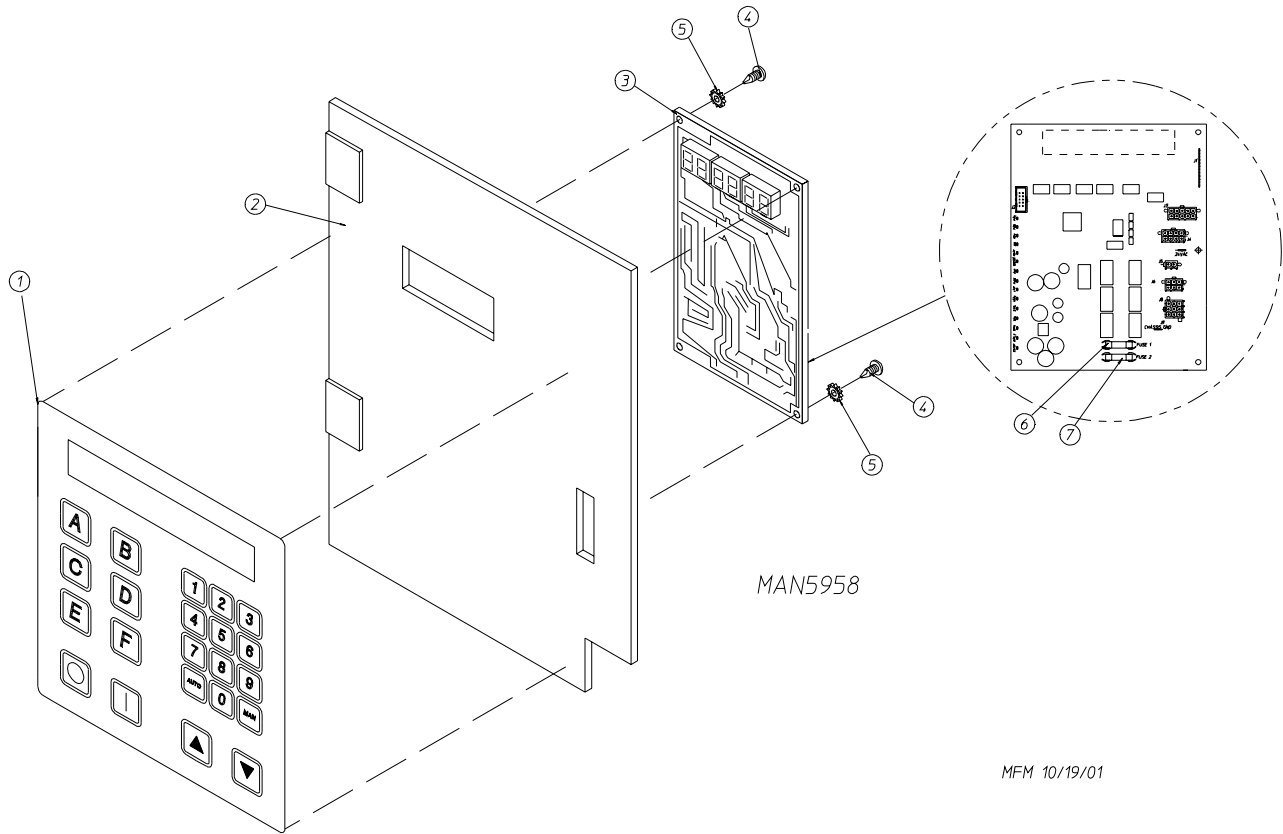
For Models Mfd. prior to September 24, 2001



MAN5970

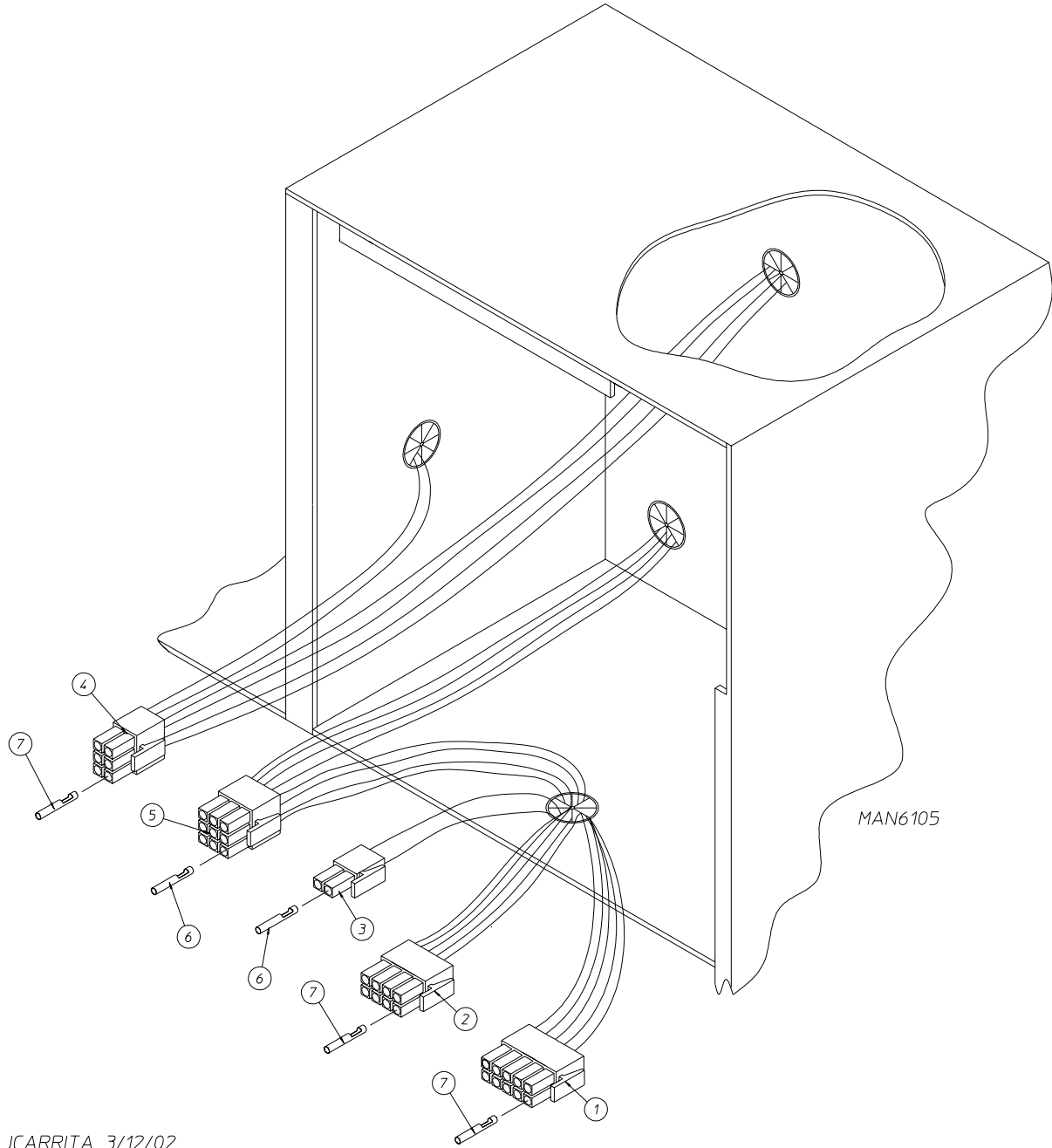
MFM 11/16/01

<u>Illus. No.</u>	<u>Part No.</u>	<u>Qty.</u>	<u>Description</u>
1	850978	1	Control Door (includes illus. nos. 2 and 3)
2	117603	2	1/8" x 9/16" Noise Suppressor Tape (sold by the foot)
3	117604	4	Noise Suppressor Tape (sold by the foot)
4	150314	2	#10-32 x 1/2" TORX Screw
5	154011	2	#10-32 Multi-Thread U-Nut
6	112366	1	Logo ONLY
7	150309	4	#10-16 x 1/2" Hex Head TEK Crimptite Screw
8	102603	1	Control Door Rod Support Catch
9	102601	1	Control Door Retainer Clip
10	102502	1	Control Door Rod



MFM 10/19/01

<u>Illus. No.</u>	<u>Part No.</u>	<u>Qty.</u>	<u>Description</u>
1	112571	1	Phase 7 OPL Keyboard
2	850984	1	Phase 7 OPL Microprocessor Controller (computer) Panel ONLY
	883749	1	Phase 7 OPL Reversing Microprocessor Controller (computer) Control Panel Assembly Complete with Fire Suppression System (FSS) (includes illus. nos. 1 through 7)
3	883744	1	Phase 7 OPL Microprocessor Controller (computer) ONLY with Fire Suppression System (FSS)
4	150005	2	#6-32 x 3/4" Phillips Round Head Machine Screw
5	153010	2	#6 Star Washer
6	136016	1	5-Amp Fuse
7	136097	1	500-mA Fuse

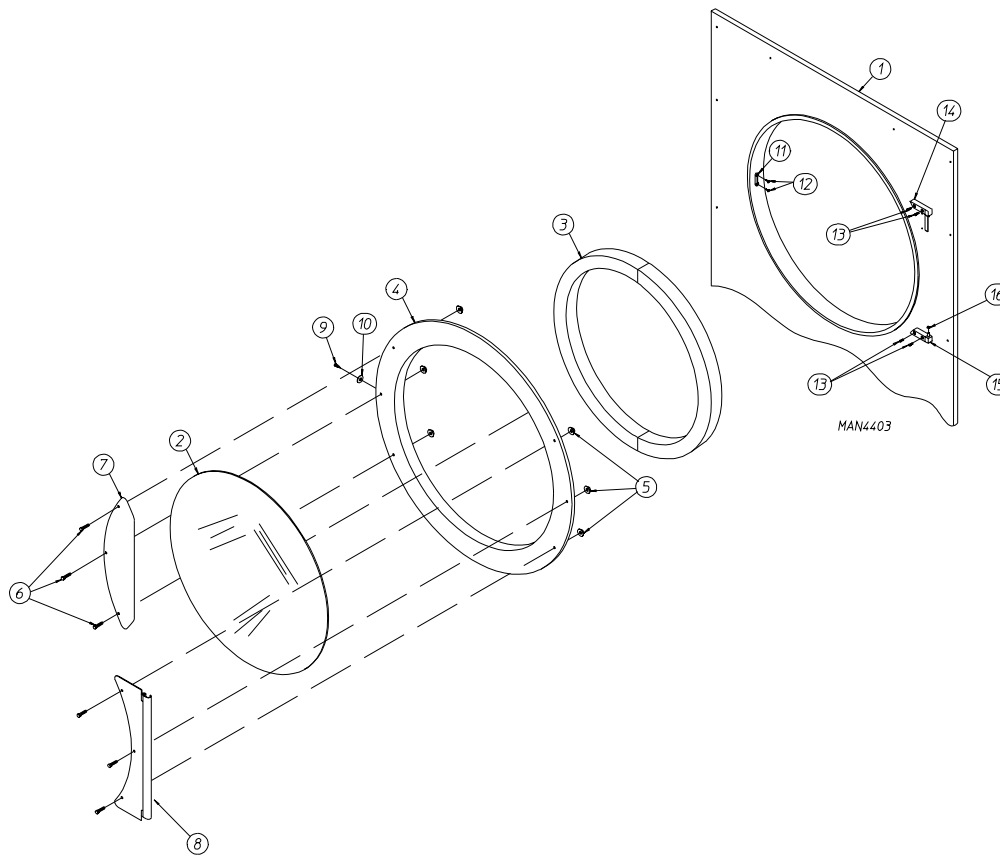


JCARRITA 3/12/02

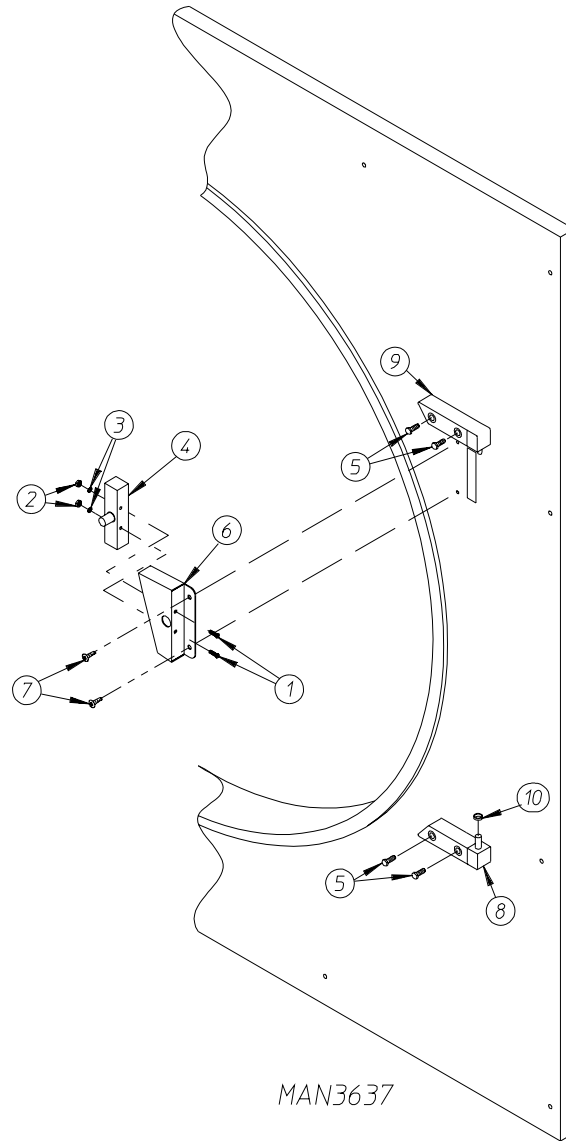
<u>Illus. No.</u>	<u>Part No.</u>	<u>Qty.</u>	<u>Description</u>
1	122681	1	10-Pin Connector
2	122676	1	8-Pin Connector
3	122646	1	2-Pin Connector
4	122683	1	6-Pin Connector
5	122640	1	9-Pin Connector
6	122706	*	#20-16 U.M.N.L. Socket
7	122669	*	Female Crimp Terminal

\* As needed.

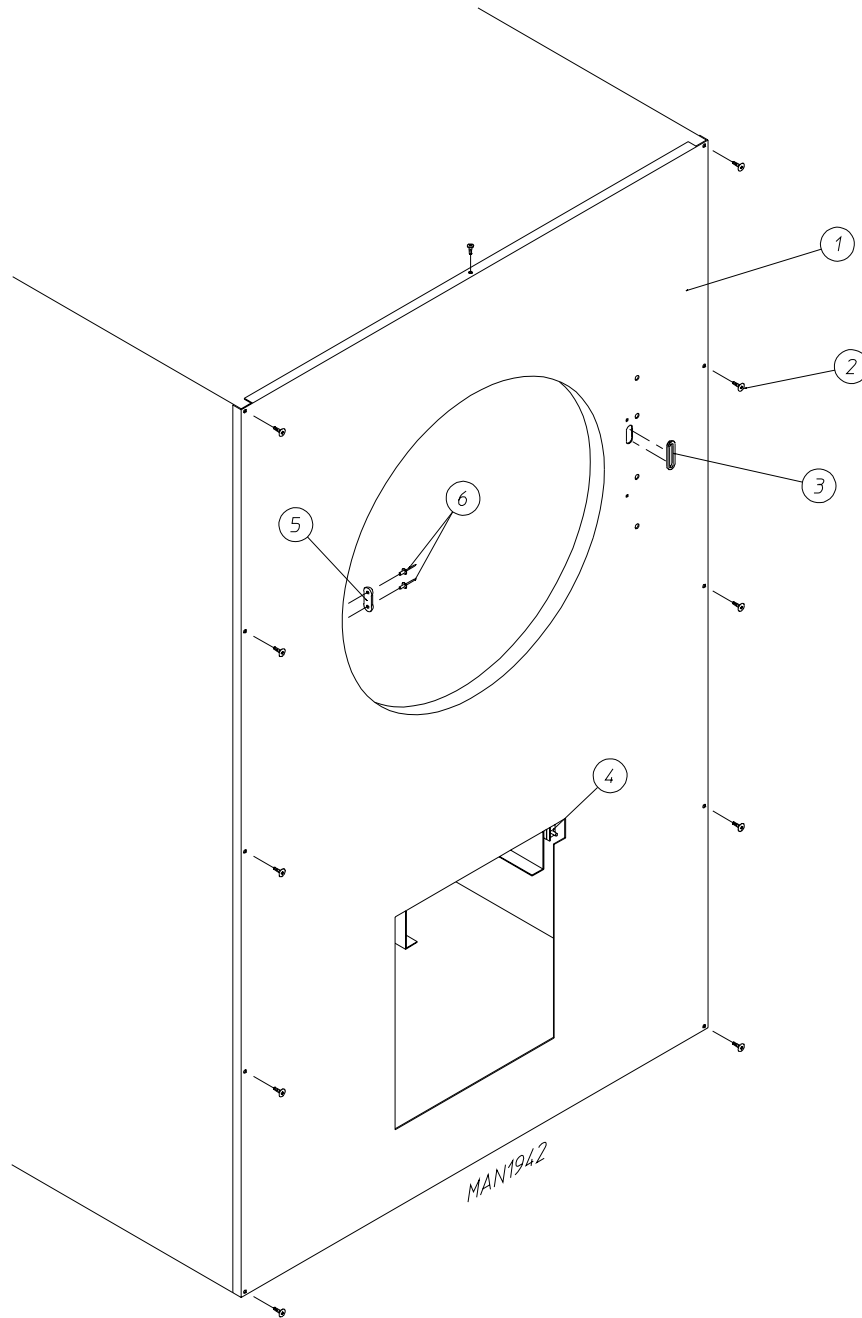




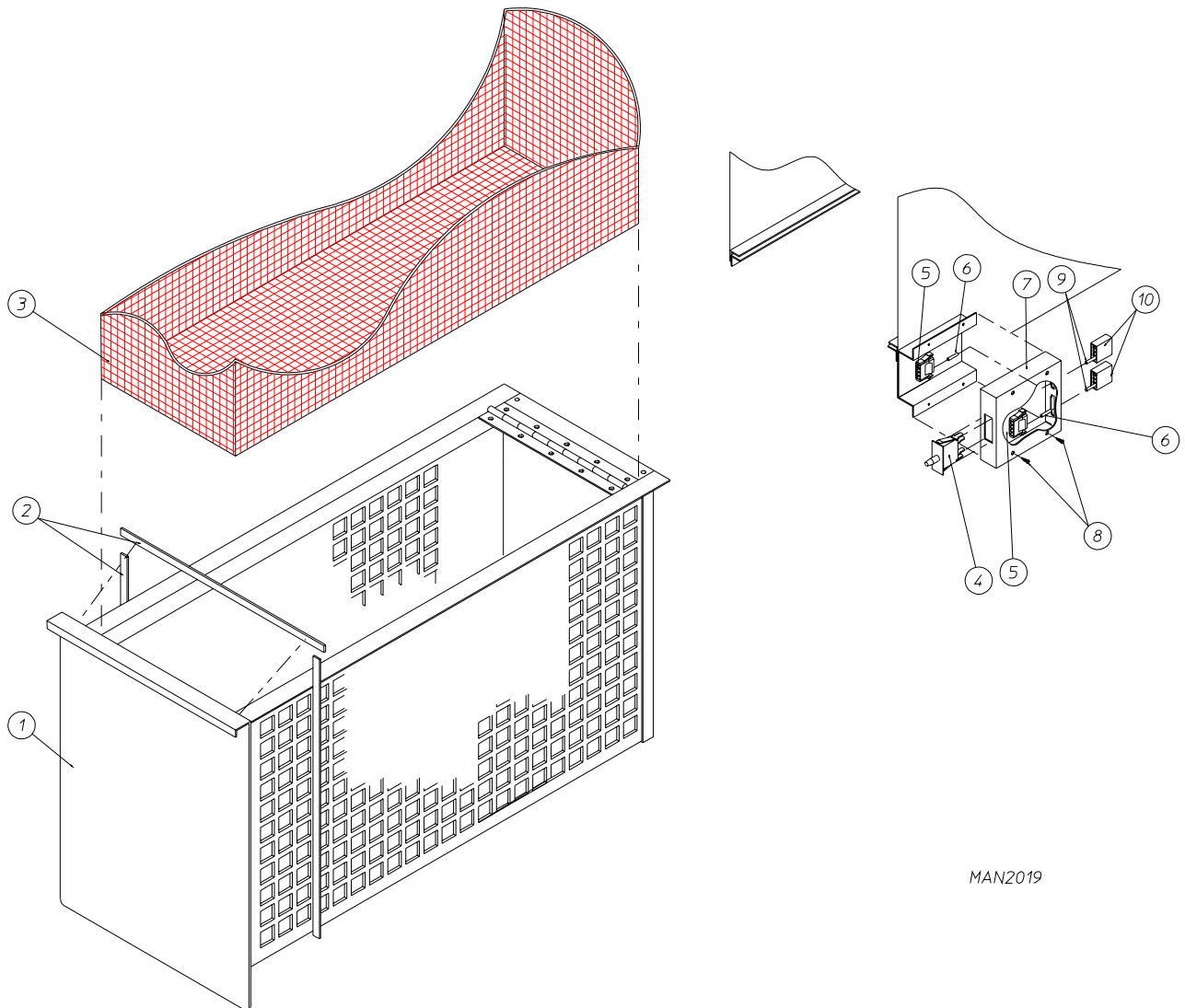
<u>Illus. No.</u>	<u>Part No.</u>	<u>Qty.</u>	<u>Description</u>
1	-----	1	Front Panel (refer to <b>Front Panel Assembly</b> on <b>page 9</b> )
2	102214	1	30" Door Glass ONLY
	170730	1	Door/Glass Adhesive (10.3 oz. cartridge)...Not Illustrated
3	882411	1	Main Door Gasket ONLY (7/8" x 7/8" x 104")
4	835003	1	Main Door Assembly Complete (includes illus. nos. 2 through 10)
	835002	1	Main Door Ring
5	881806	6	Free Spin Wash Nut
6	881740	6	1/4-20 x 5/8" Carriage Bolt
7	881688	1	Cold Rolled Steel (CRS) Main Door Handle
8	881685	1	Main Door Hinge
9	150120	1	Main Door Latch Screw (#10-32 x 7/16" dome hex head screw)
10	152008	1	#10-32 Hex Nut
11	170330	1	Friction Door Catch
12	154215	2	5/32" Pop Rivet
13	150445	4	1/4-20 x 3/4" Black Cap Head Screw
14	881440	1	White Top Hinge Block (includes illus. nos. 13 and 14)
15	881441	1	White Bottom Hinge Block (includes illus. nos. 13, 15 and 16)
16	153031	1	Nylon Washer



<u>Illus. No.</u>	<u>Part No.</u>	<u>Qty.</u>	<u>Description</u>
1	150006	2	#6-32 x 7/8" Phillips Pan Head Machine Screw
2	152013	2	#6-32 Hex Nut
3	153010	2	#6 Star Washer
4	137005	1	Single-Pole Door Switch
5	150445	4	1/4-20 x 3/4" Black Cap Head Screw
6	881687	1	Main Door Switch Housing ONLY
	881702	1	Main Door Switch with Housing Assembly (includes illus. nos. 1 through 4 and 6)
7	150301	2	#8-18 x 7/16" Phillips Pan Head TEK Screw
8	881441	1	White Bottom Hinge Block (includes illus. nos. 5, 8, and 10)
9	881440	1	White Top Hinge Block (includes illus. nos. 5 and 9)
10	153031	1	Nylon Washer



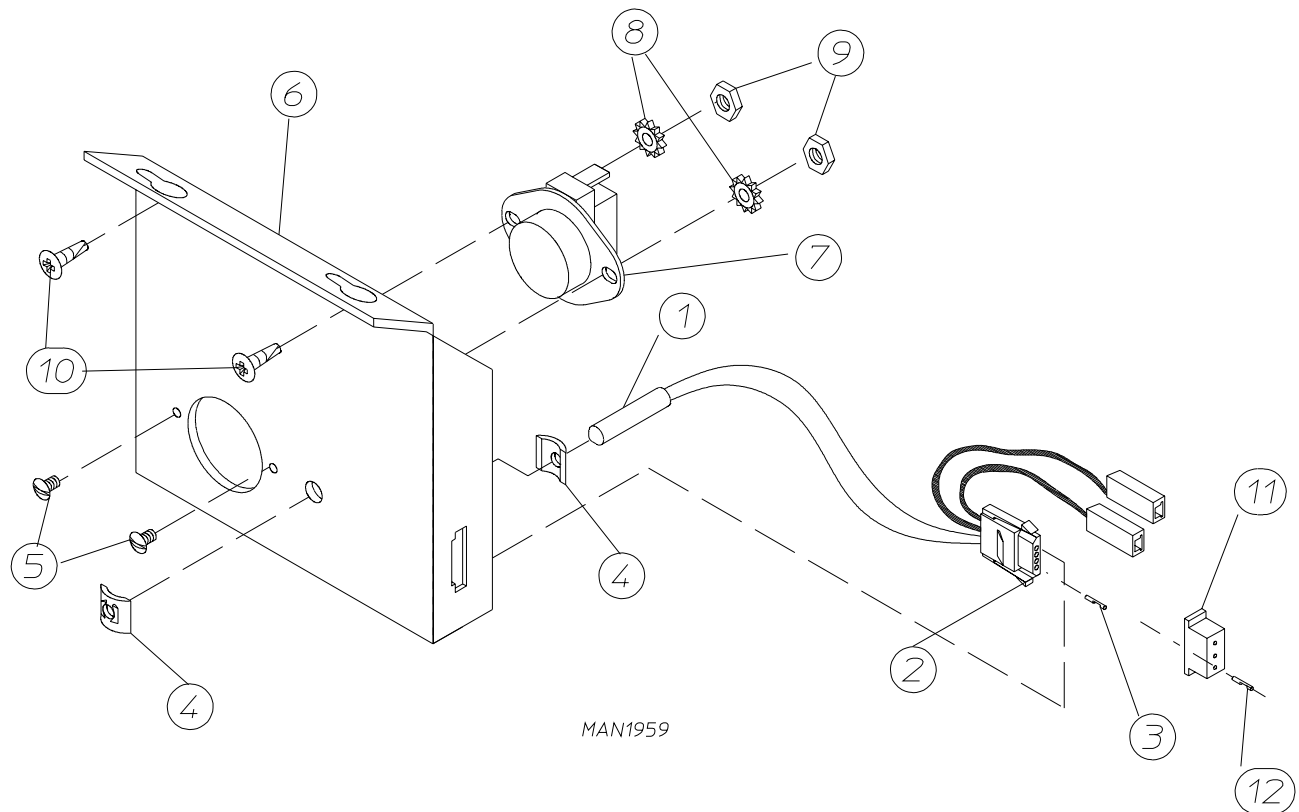
<u>Illus. No.</u>	<u>Part No.</u>	<u>Qty.</u>	<u>Description</u>
1	883703	1	Front Panel Assembly (includes illus. nos. 1, 5, and 6)
2	150309	9	#10-16 x 1/2" Hex Head TEK Crimptite Screw
3	121405	1	Rubber Grommet
4	-----	1	Lint Drawer Switch (refer to <b>Lint Drawer with Stainless Steel Lint Screen/Lint Drawer Switch Assemblies</b> on <b>page 10</b> )
5	170330	1	Friction Door Latch
6	154215	2	5/32" Pop Rivet



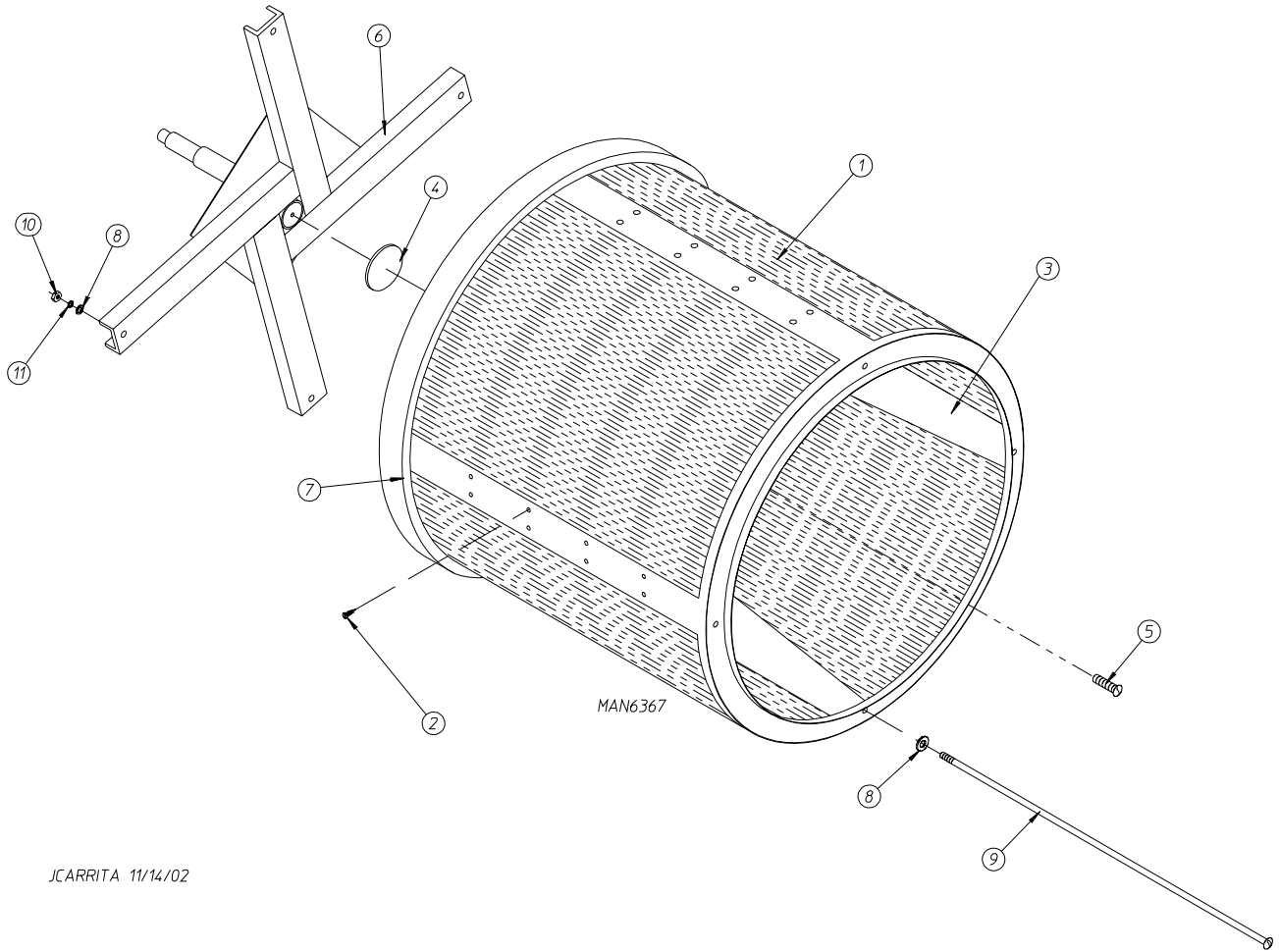
MAN2019

<u>Illus. No.</u>	<u>Part No.</u>	<u>Qty.</u>	<u>Description</u>
1	883503*	1	Lint Drawer Assembly (includes illus. nos. 1 and 2)
2	117605	5	Gasket (sold by the foot)
3	802205	1	Lint Screen Assembly
4	122116	1	Lint Drawer Switch
5	122605	2	4-Pin Connector (female)
6	122701	4	Socket Terminal ONLY
	122801	1	Socket/Pin Extraction Tool...Not Illustrated
7	800478	1	Lint Drawer Switch Box Assembly (includes illus. nos. 4 through 7)
	304135	1	Lint Drawer Switch Box ONLY
8	150301	2	#8-18 x 7/16" Phillips Pan Head TEK Screw
9	122700	4	Pin Terminal ONLY
10	122604	2	4-Pin Connector (male)

\* Specify color when ordering.



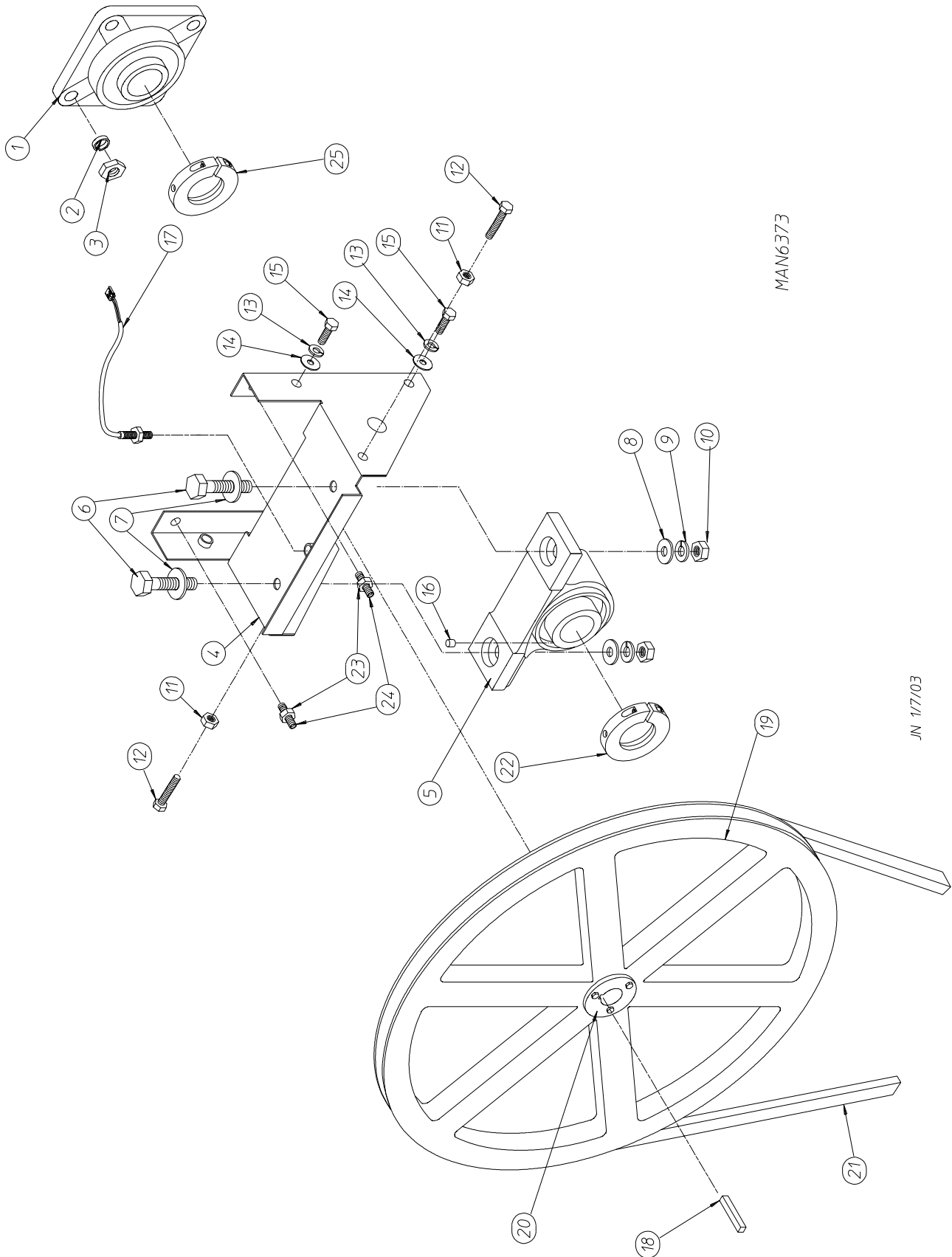
<u>Illus. No.</u>	<u>Part No.</u>	<u>Qty.</u>	<u>Description</u>
1	880251	1	1/4" Temperature Sensor Probe Assembly (includes illus. nos. 1 through 4)
2	122605	1	4-Pin Connector (female)
3	122701	4	Socket Terminal ONLY
4	154007	2	1/4" Tinnerman Push On Fastener
5	150005	2	#6-32 x 1/4" Phillips Head Machine Screw
6	802174	1	Sensor Bracket Assembly Complete (includes illus. nos. 1 through 9)
	323626	1	Temperature Sensor Bracket ONLY
7	130103	1	225° Manual Reset Thermostat
8	153010	2	#6 Star Washer
9	152000	2	#6-32 Hex Nut
10	150301	2	#8-18 x 7/16" Phillips Pan Head TEK Screw
11	122604	1	4-Pin Connector (male)
12	122700	4	Pin Terminal ONLY
	122801	1	Socket/Pin Extraction Tool...Not Illustrated



JCARRITA 11/14/02

---

<u>Illus. No.</u>	<u>Part No.</u>	<u>Qty.</u>	<u>Description</u>
1	881780	1	Basket (tumbler) ONLY
	881782	1	1-3/4" Reversing Basket (tumbler)/Support Assembly Complete (includes illus. nos. 1 through 12)
2	150313	40	#10-16 x 1/2" TORX Head Crimptite Screw
	150429	1	TORX Hand Driver (for removal of TORX head screw)...Not Illustrated
3	390074	4	Basket (tumbler) Rib ONLY
4	115986	1	1/4" x 2" Felt Basket (tumbler) Pad (for models mfd. as of January 22, 2002)
	153002	1	5/16" Lock Washer (for models mfd. prior to January 22, 2002)
5	150500	1	5/16-18 x 3/4" Socket Button Head Screw
6	881779	1	Basket (tumbler) Support ONLY
7	116000	1	Felt Collar ONLY
	401010	1	#847 Adhesive for Felt Collar (5 oz. tube)...Not Illustrated
8	153004	8	3/8" Flat Washer
9	100905	4	3/8-16 x 37" Tie Rod
10	152027	4	3/8-16 Hex Nut
11	153005	4	3/8" Lock Washer



MAN6373

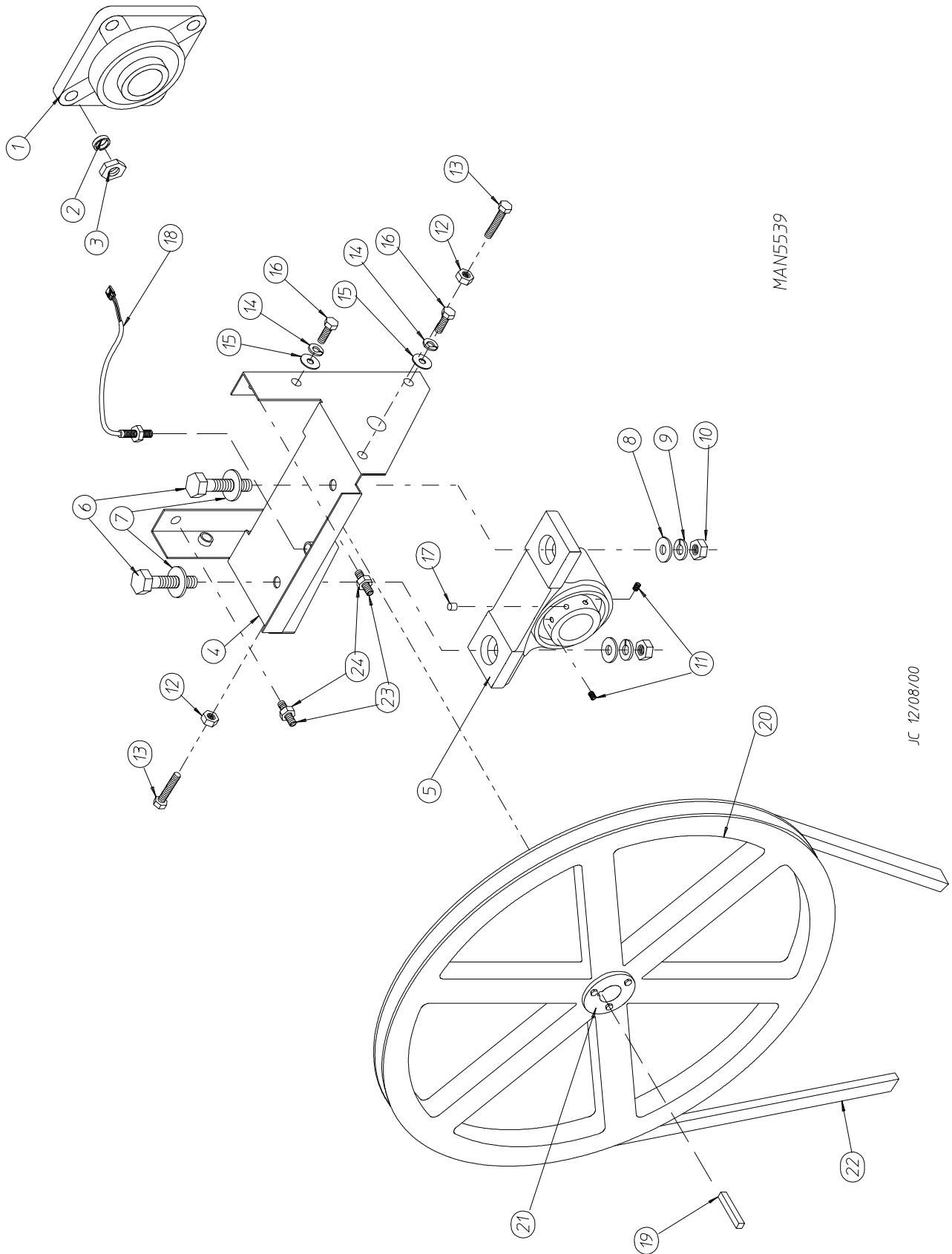
JN 1/7/03



**For Models Mfd. with Griplock Type Bearings**

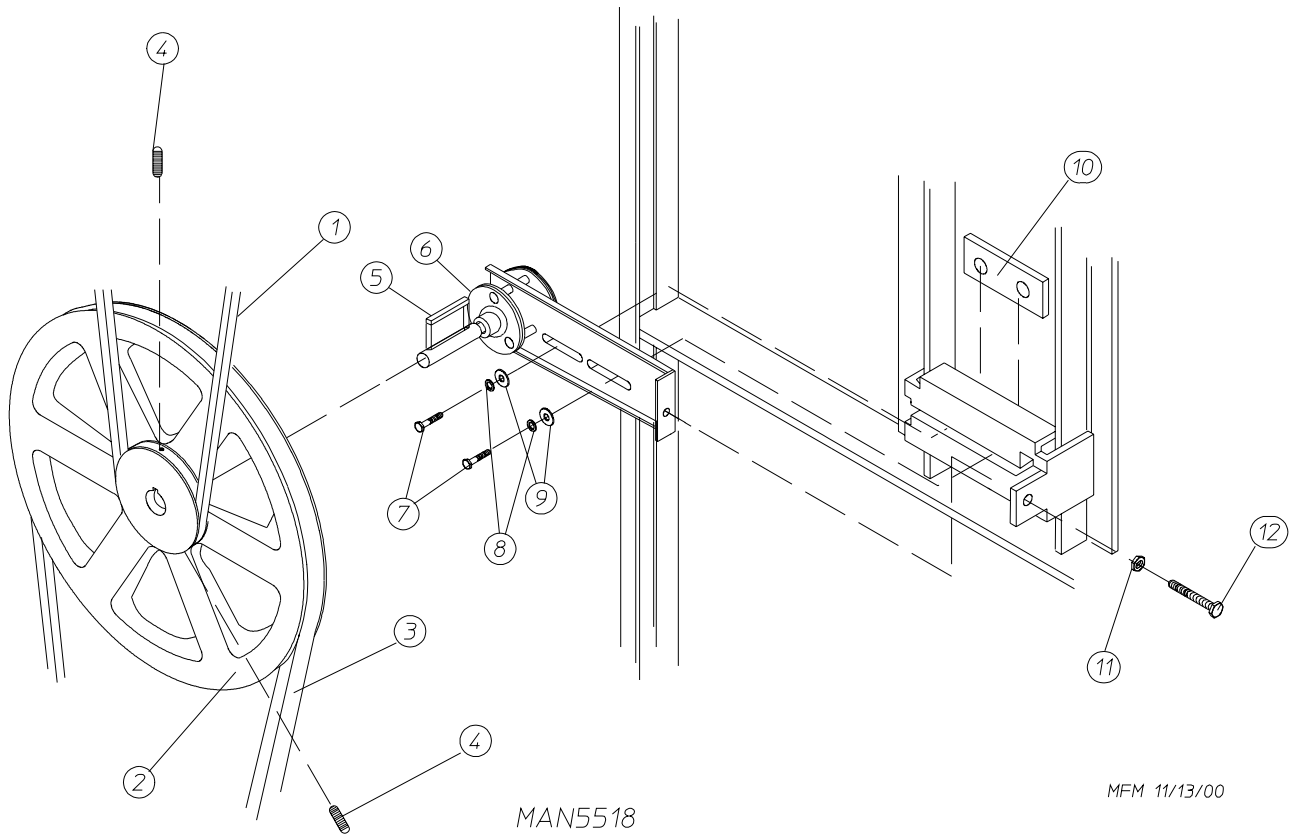
---

<u>Illus. No.</u>	<u>Part No.</u>	<u>Qty.</u>	<u>Description</u>
1	883735	1	1-3/4" Flange Bearing (griplock)
2	153025	4	9/16" Lock Washer
3	152050	4	9/16-12 Hex Nut
4	883736	1	Pillow Block Bearing Assembly Complete with Rotational Sensor (includes illus. nos. 4 through 17)
	800982	1	Pillow Block Bearing Platform ONLY (for rotational sensor models)
5	883710	1	1-3/8" Pillow Block Bearing
6	150601	2	3/8-16 x 2" Hex Bolt
7	153004	2	3/8" Flat Washer
8	153004	2	3/8" Flat Washer
9	153005	2	3/8" Lock Washer
10	152005	2	3/8-16 Hex Nut
11	152004	2	5/16-18 Hex Nut
12	150621	2	5/16-18 x 1-1/2" Tap Bolt
13	153002	4	5/16" Lock Washer
14	153004	4	3/8" Flat Washer
15	150501	4	5/16-18 x 3/4" Tap Bolt
16	102120	1	Sintered 8 Magnet
17	883386	1	Rotational Sensor Assembly
18	100735	1	Shaft Key (for reversing models Only)
19	101118	1	18-3/4" Pulley
20	101119	1	1-3/8" Taper Lock Bushing
21	100106	1	5L-690 V-Belt (basket [tumbler] to idler)
22	100270	1	1-3/8" Bearing Replacement Collar (griplock)
23	152004	2	5/16-18 Hex Nut
24	150610	2	5/16-18 x 1-1/2" Allen Setscrew
25	100272	1	1-3/4" Bearing Replacement Collar (griplock)



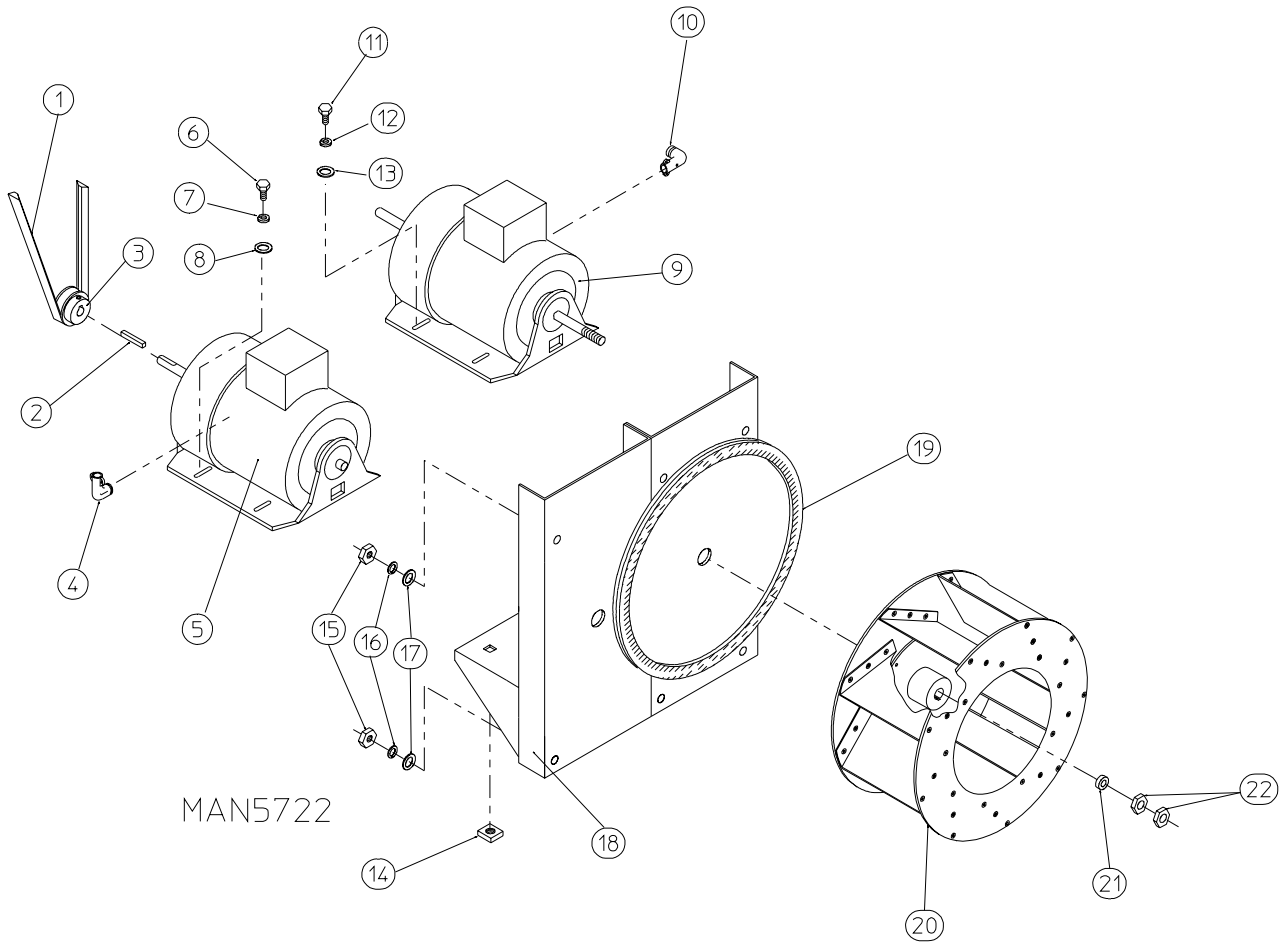
**For Models Mfd. without Griplock Type Bearings**

<u>Illus. No.</u>	<u>Part No.</u>	<u>Qty.</u>	<u>Description</u>
1	880220	1	1-3/4" Flange Bearing
2	153025	4	9/16" Lock Washer
3	152050	4	9/16-12 Hex Nut
4	883387	1	Pillow Block Bearing Assembly Complete with Rotational Sensor (includes illus. nos. 4 through 18, 23 and 24)
	882543	1	Pillow Block Bearing Platform ONLY
5	880779	1	1-3/8" Pillow Block Bearing
6	150601	2	3/8-16 x 2" Hex Bolt
7	153004	2	3/8" Flat Washer
8	153004	2	3/8" Flat Washer
9	153005	2	3/8" Lock Washer
10	152005	2	3/8-16 Hex Nut
11	154326	2	5/16-24 x 3/8" Setscrew
12	152004	2	5/16-18 Hex Nut
13	150621	2	5/16-18 x 1-1/2" Tap Bolt
14	153002	4	5/16" Lock Washer
15	153004	6	3/8" Flat Washer
16	150501	4	5/16-18 x 3/4" Tap Bolt
17	102120	1	Sintered 8 Magnet
18	883386	1	Rotational Sensor Assembly
19	100735	1	Shaft Key
20	101118	1	18-3/4" Pulley
21	101119	1	1-3/8" Taper Lock Bushing
22	100106	1	5L-690 V-Belt (basket [tumbler] to idler)
23	150610	2	5/16-18 x 1-1/2" Allen Setscrew
24	152004	2	5/16-18 Hex Nut



---

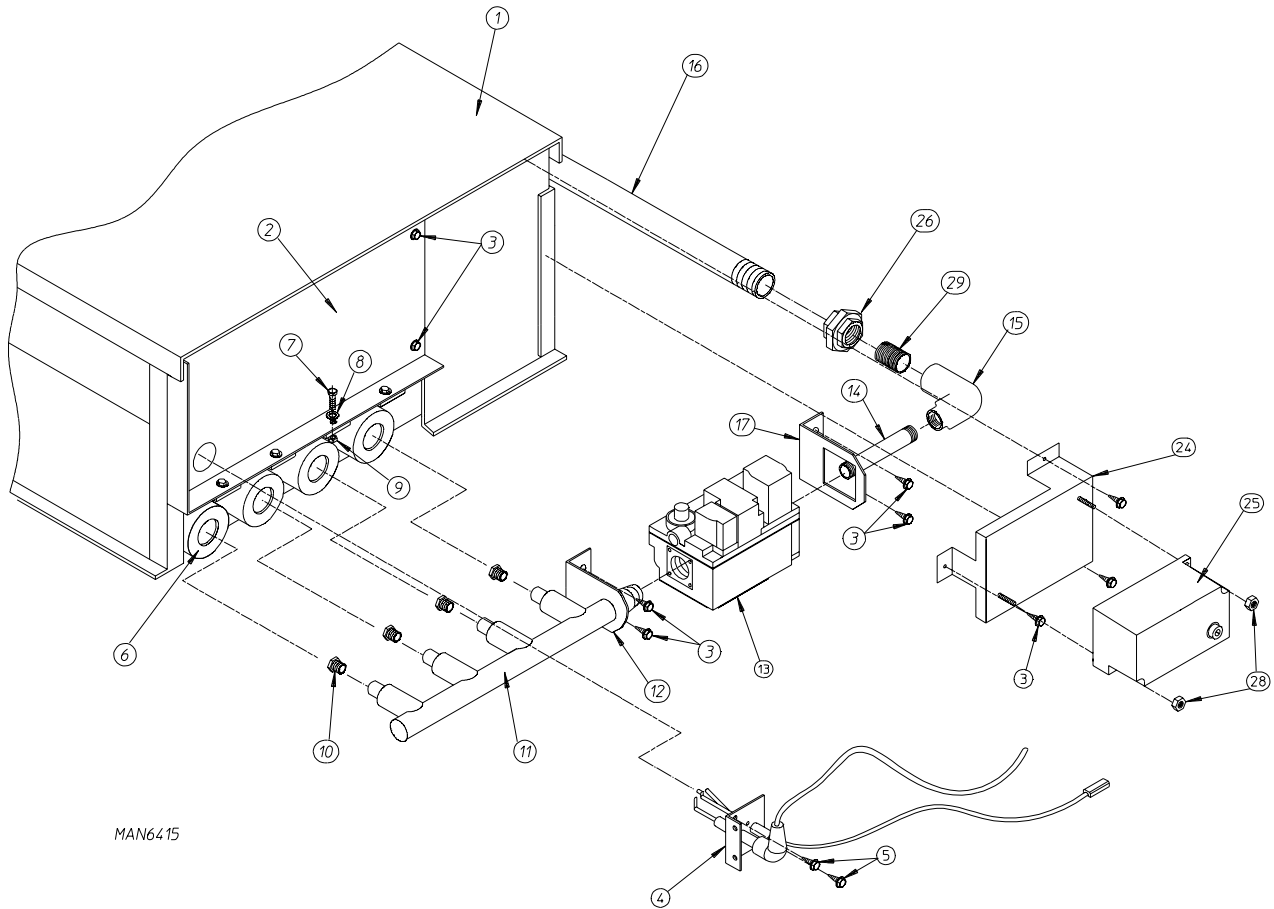
<u>Illus. No.</u>	<u>Part No.</u>	<u>Qty.</u>	<u>Description</u>
1	100106	1	5L-690 V-Belt
2	101140	1	14" x 3" Compound Pulley
3	100109	1	4L-650 V-Belt (idler to motor)
4	154301	2	5/16-18 x 1" Allen Setscrew
5	100705	1	3/16" x 3/16" x 1-3/8" Key
6	882576	1	Idler Bearing Assembly Complete (includes illus. nos. 5 through 12)
7	150617	2	3/8-16 x 1" Hex Head Machine Bolt
8	153005	2	3/8" Lock Washer
9	153004	2	3/8" Flat Washer
10	801009	1	Idler Square Washer
11	152004	1	5/16-18 Hex Nut
12	150509	1	5/16-18 x 3" Hex Head Machine Bolt



CALBERT 03/23/01

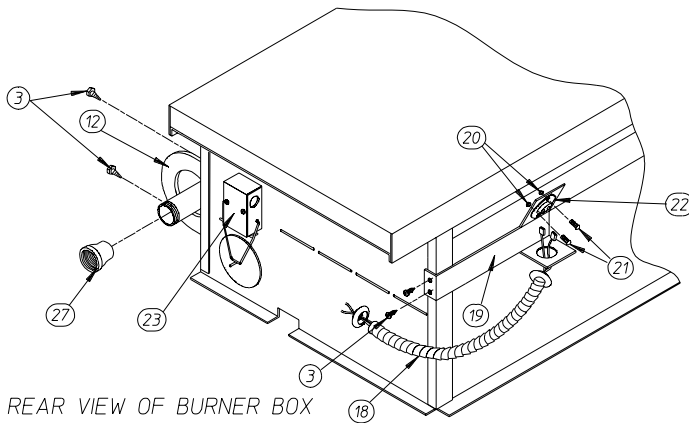
<u>Illus. No.</u>	<u>Part No.</u>	<u>Qty.</u>	<u>Description</u>
1	100109	1	4L-650 V-Belt (motor to idler)
2	100701	1	3/16" x 3/16" x 1" Key
3	101130	1	5/8" x 2-1/2" Motor Pulley (60 Hz Only)
	101139	1	5/8" x 2-3/4" Motor Pulley (50 Hz Only)
4	120200	1	3/8" x 90° Connector
5	181003*	1	1/2 HP 208/230/380/460v 3ø 50/60 Hz Totally Enclosed, Fan-Cooled (T.E.F.C.) Motor (56Z frame)
6	150501	4	5/16-18 x 3/4" Hex Head Machine Bolt
7	153002	4	5/16" Lock Washer
8	153001	4	5/16" Flat Washer
9	181043*	1	3 HP 220/230/380/460v 3ø 50/60 Hz Totally Enclosed, Fan-Cooled (T.E.F.C.) Motor with 3/4" Shaft (56Z frame)
10	120200	1	3/8" x 90° Connector
11	150501	4	5/16-18 x 3/4" Hex Head Machine Bolt
12	153002	4	5/16" Lock Washer
13	153001	4	5/16" Flat Washer
14	154000	8	5/16" Tinnerman Nut
15	152004	6	5/16-18 Hex Nut
16	153002	6	5/16" Lock Washer
17	153001	6	5/16" Flat Washer
18	803566	1	Reversing Motor Mount ONLY (56Z frame)
	883027*	1	60 Hz Reversing Totally Enclosed, Fan-Cooled (T.E.F.C.) Motor Mount Assembly Complete (includes illus. nos. 2 through 14 and 18 through 22)
	883026*	1	50 Hz Reversing Totally Enclosed, Fan-Cooled (T.E.F.C.) Motor Mount Assembly Complete (includes illus. nos. 2 through 14 and 18 through 22)
19	117604	4	Noise Suppressor Tape (sold by the foot)
20	802027	1	16" Riveted High Flow Impellor (60 Hz models)
	802024	1	16" Riveted High Flow Impellor (50 Hz models)
21	153065	1	1-1/2" Outside Diameter x 1/2" Washer
22	152006	2	1/2-20 Left Hand Jam Nut

\* Check part number on motor data label to verify correct motor.



MAN6415

FRONT VIEW OF BURNER BOX



REAR VIEW OF BURNER BOX

JNERY 12/16/02

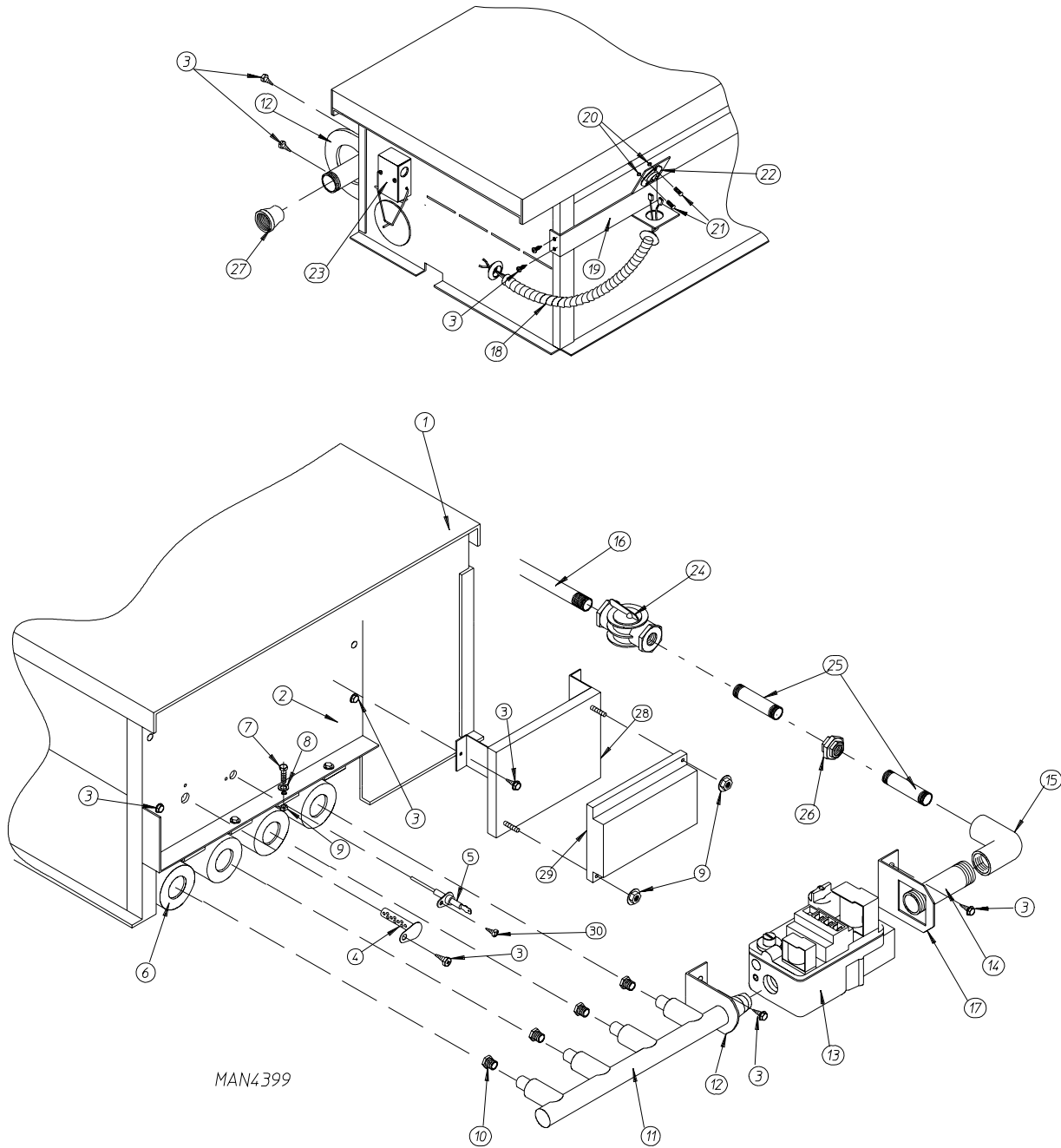
<u>Illus. No.</u>	<u>Part No.</u>	<u>Qty.</u>	<u>Description</u>
1	802237	1	Burner Box ONLY
	803020*	1	Natural Gas Burner Assembly II Complete Less Orifice (includes illus. nos. 1 through 9 and 11 through 29)
	803021*	1	Liquid Propane (L.P.) Burner Assembly II Complete Less Orifice (includes illus. nos. 1 through 9 and 11 through 29)
2	802240	1	Burner Shield
3	150309	15	#10-16 x 1/2" Hex Head Crimptite Screw



<u>Illus. No.</u>	<u>Part No.</u>	<u>Qty.</u>	<u>Description</u>
4	128915	1	Direct Spark Ignition (DSI) Ignitor/Flame-Probe ONLY
	880330	1	High Voltage (HV) Wire and Connector ONLY
	880134	1	Direct Spark Ignition (DSI) Ignitor/Flame-Probe Assembly Complete with High Voltage (HV) Wire Connector
	305410	-	Ignitor Gap Tool...Not Illustrated
5	150300	2	#10-16 x 1/2" Hex Washer TEK Screw
6	141105	4	Large Burner Tube
7	150108	4	#8-32 x 1/2" Phillips Pan Head Machine Screw
8	153000	4	#8 Steel Burr
9	151001	4	#8-32 Pal Nut
10**	140856	4	#23 Burner Orifice (natural gas) ONLY
	140811	4	#41 Burner Orifice (liquid propane [L.P.] gas) ONLY
11	141210	1	3/4" Manifold (4-port)
12	323737	1	Pipe Bracket (bent)
13	128928	1	24 VAC Direct Spark Ignition (DSI) Gas Valve (natural gas) ONLY
	881052	1	24 VAC Direct Spark Ignition (DSI) Gas Valve (liquid propane [L.P.] gas) ONLY
14	142715	1	1/2" x 2" Nipple
15	142511	1	3/4" x 1/2" Reducing Elbow
16	142829	1	3/4" x 28" Pipe Nipple
17	323763	1	Gas Valve Bracket
18	824533	1	Sail Switch to Hi-Limit Harness
19	319704	1	Hi-Limit Mounting Bracket
20	151000	2	#6-32 Pal Nut
21	150001	2	#6-32 x 1/2" Round Head Machine Screw
22	130201	1	330° Manual Reset Hi-Limit Thermostat
23	-----	1	Sail Switch (refer to <b>Sail Switch Assembly</b> on <b>page 26</b> )
24	810030	1	Direct Spark Ignition (DSI) Mounting Bracket
25	128935	1	Direct Spark Ignition (DSI) Module Johnson Controls
26	142601	1	3/4" Union
27	142924	1	1" to 3/4" Reducing Coupling
--	882119	1	ML-82 Burner Liquid Propane (L.P.) Conversion Kit with Orifice
28	152013	2	#6-32 Hex Nut
29	142701	2	3/4" Close Nipple

\* Burner orifices *are not included* and **must be** ordered separately.

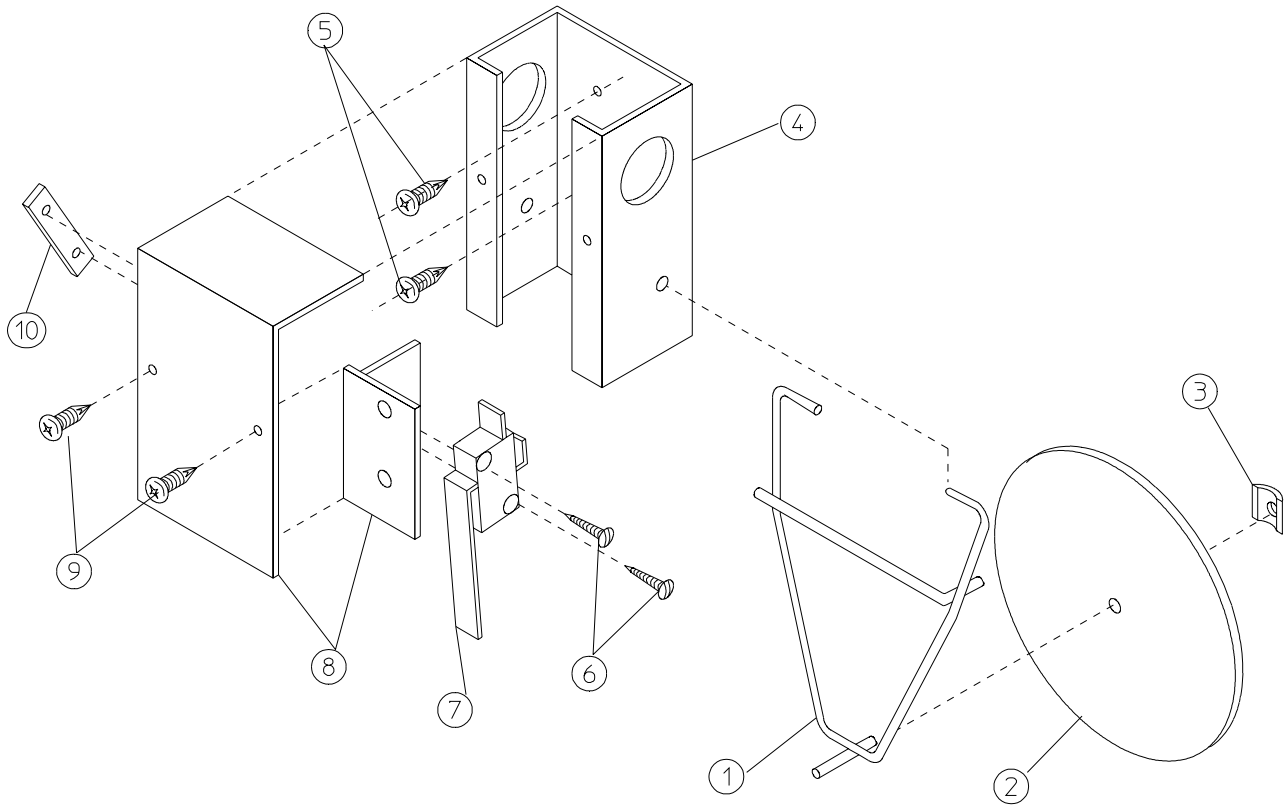
\*\* Consult factory for elevations over 2,000 feet.



<u>Illus. No.</u>	<u>Part No.</u>	<u>Qty.</u>	<u>Description</u>
1	802237	1	Burner Box ONLY
	881050*	1	Natural Gas Burner Assembly Complete Less Orifices (includes illus. nos. 1 through 3, 6 through 9, and 11 through 27)
	881051*	1	Liquid Propane (L.P.) Burner Assembly II Complete Less Orifice (includes illus. nos. 1 through 9 and 11 through 30)
2	318400	1	Burner Shield
3	150309	17	#10-16 x 1/2" Hex Head TEK Crimptite Screw
4	881597	1	Hot Surface Ignitor - 24 VAC
5	128921	1	Hot Surface Ignition (HSI) Flame-Probe
6	141105	4	Large Burner Tube
7	150103	4	#8-32 x 1/2" Phillips Pan Head Machine Screw
8	153000	4	#8 Washer
9	151001	6	#8-32 Pal Nut
10**	140856**	4	#23 Burner Orifice (natural gas) ONLY
	140811**	4	#41 Burner Orifice (liquid propane [L.P.] gas) ONLY
11	141210	1	3/4" Manifold (4-port)
12	323737	2	Pipe Bracket (bent)
13	128928	1	1/2" 24 VAC Redundant (natural gas) Gas Valve
	881052	1	1/2" 24 VAC Redundant (liquid propane [L.P.] gas) Gas Valve
	882119**	1	Hot Surface Ignition (HSI) Liquid Propane (L.P.) Conversion Kit
14	142715	2	1/2" x 2" Nipple
15	142511	1	3/4" x 1/2" Reducing Elbow
16	142829	1	3/4" x 20" Pipe
17	323763	1	Gas Valve Bracket
18	824533	1	Sail Switch to Hi-Limit Harness
19	319704	1	Hi-Limit Mounting Bracket
20	151000	2	#6-32 Pal Nut
21	150001	2	#6-32 x 1/2" Round Head Machine Screw
22	130201	1	330° Manual Reset Hi-Limit Thermostat ONLY
23	-----	1	Sail Switch (refer to <b>Sail Switch Assembly</b> on <b>page 26</b> )
24	141300	1	3/4" Union Shutoff
25	142709	2	3/4" x 2" Nipple
26	142601	1	3/4" Union
27	142924	1	1" to 3/4" Reducing Coupling
28	810029	1	Hot Surface Ignition (HSI) Mounting Bracket Assembly
29	881797	1	Hot Surface Ignition (HSI) Module II
30	150301	1	#8-18 x 7/16" Phillips Pan Head TEK Screw

\* Burner orifices *are not included* and **must be** ordered separately.

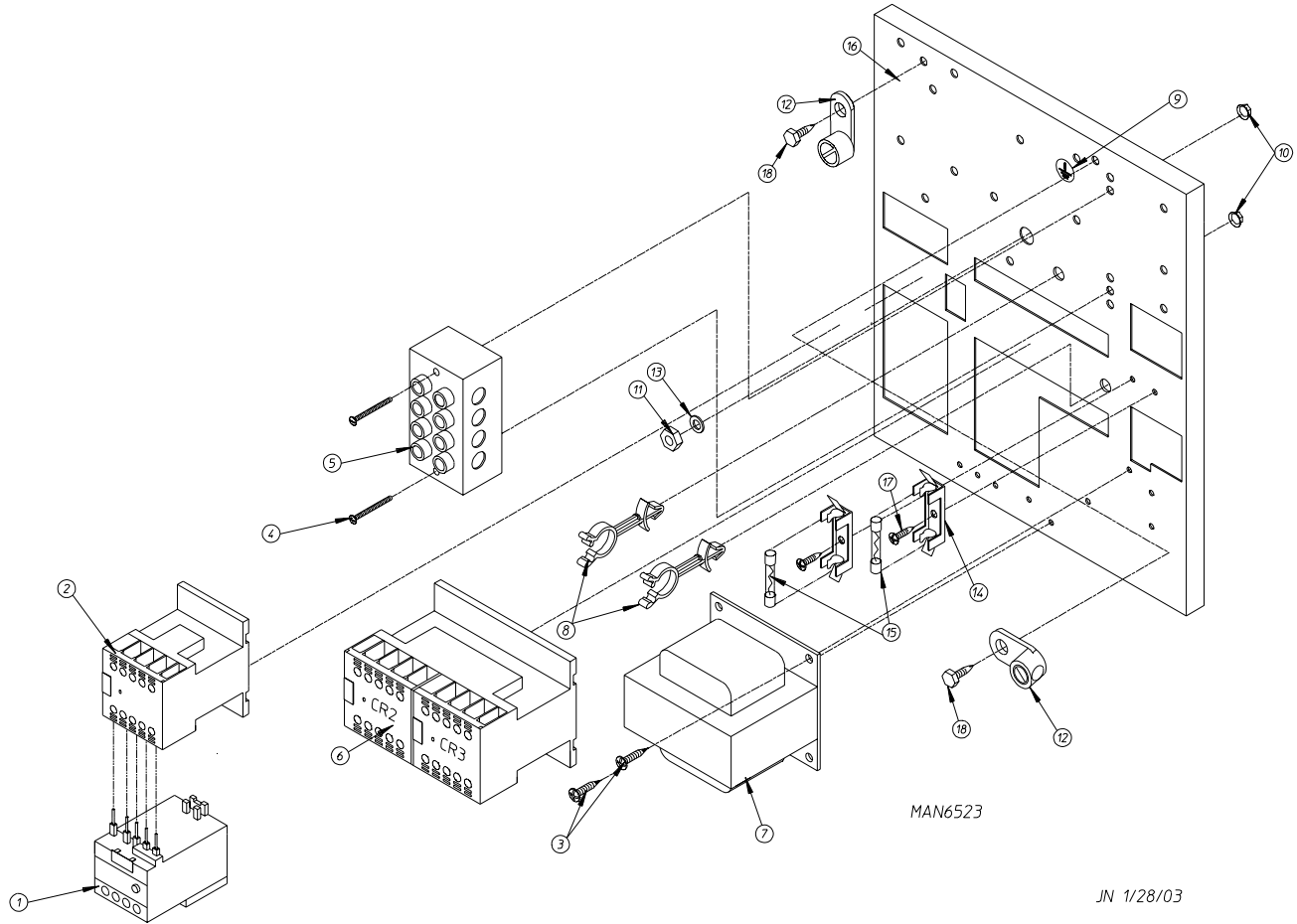
\*\* Consult factory for elevations over 2,000 feet.



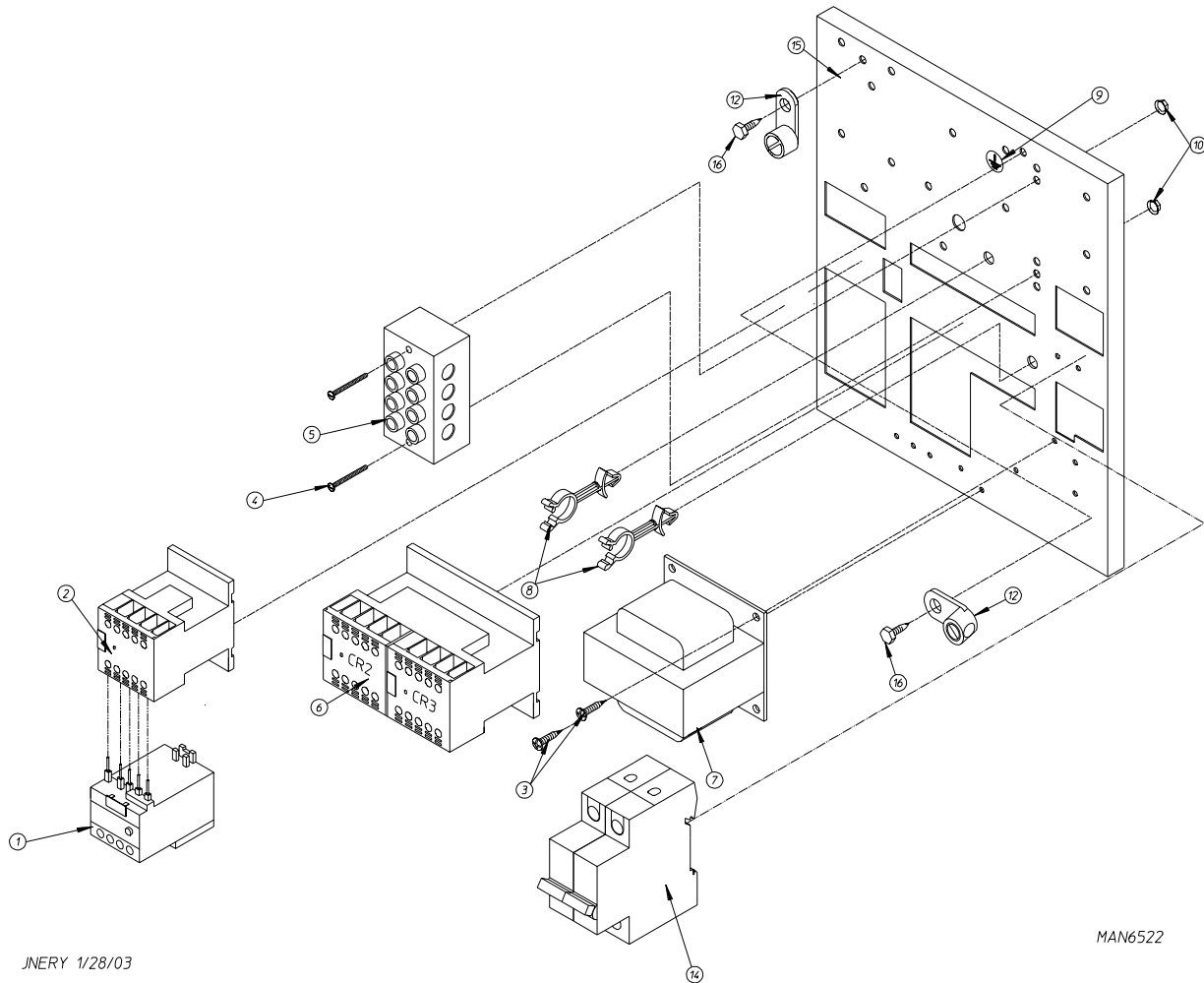
MAN0440

<u>Illus. No.</u>	<u>Part No.</u>	<u>Qty.</u>	<u>Description</u>
1	105500	1	Sail Switch Actuator Rod
2	319202	1	Sail Switch Damper (flat)
3	154002	1	1/8" Push On Fastener
4	802800	1	Sail Switch Box with Cover and Bracket ONLY (includes illus. nos. 4, 8, and 9)
	802801	1	Sail Switch Box Assembly Complete (includes illus. nos. 1 through 4 and 6 through 10)
5	150309	2	#10-16 x 1/2" Hex Head TEK Crimptite Screw
6	150303	2	#4 x 3/4" Pan Head "A" Machine Screw
7	122200	1	Sail Switch ONLY
8	802799	1	Sail Switch Box Cover and Bracket ONLY
9	150309	2	#10-16 x 1/2" Hex Head TEK Crimptite Screw
10	154004	1	Twin Speed Nut

For Models Mfd. as of January 23, 2003



<u>Illus. No.</u>	<u>Part No.</u>	<u>Qty.</u>	<u>Description</u>
1	132516	1	8-11.5-Amp Overload Relay
2	132514	1	3-Phase (3 $\phi$ ) Contactor with Arc Suppressor
3	150300	2	#10-16 x 1/2" Hex Washer TEK Screw
4	150009	2	#6-32 x 1-1/2" Phillips Round Head Machine Screw
5	120701	1	4-Position Terminal Block
6	132497	1	Reversing Contactor
7	822764	1	208-240 Volt Transformer Assembly
8	121502	2	1/2" Wire Standoff
9	112075	1	Ground Label
10	151000	2	#6-32 Pal Nut
11	152004	1	5/16-18 Hex Nut
12	121010	2	L-70 Ground Lug
13	153002	1	5/16" Lock Washer
14	136008	2	Fuse Holder
15	136057	2	1/2-Amp (Slo-Blo) Fuse
16	323743	1	Relay Panel
	823023	1	Reversing Relay Panel Complete (includes illus. nos. 1 through 18)
17	150301	1	#8-18 x 7/16" Phillips Pan Head TEK Screw
18	120910	2	#10-32 Green Ground Screw

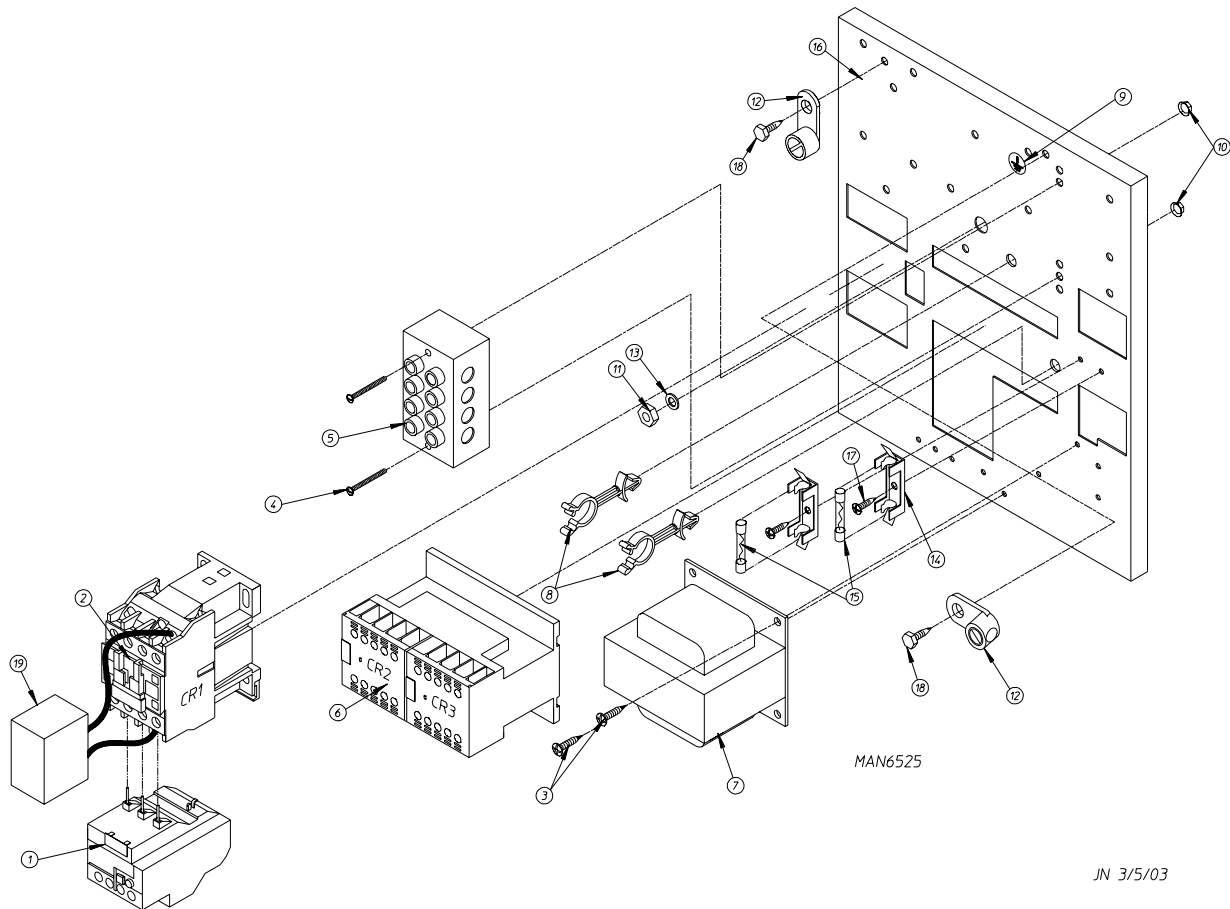


JNERY 1/28/03

MAN6522

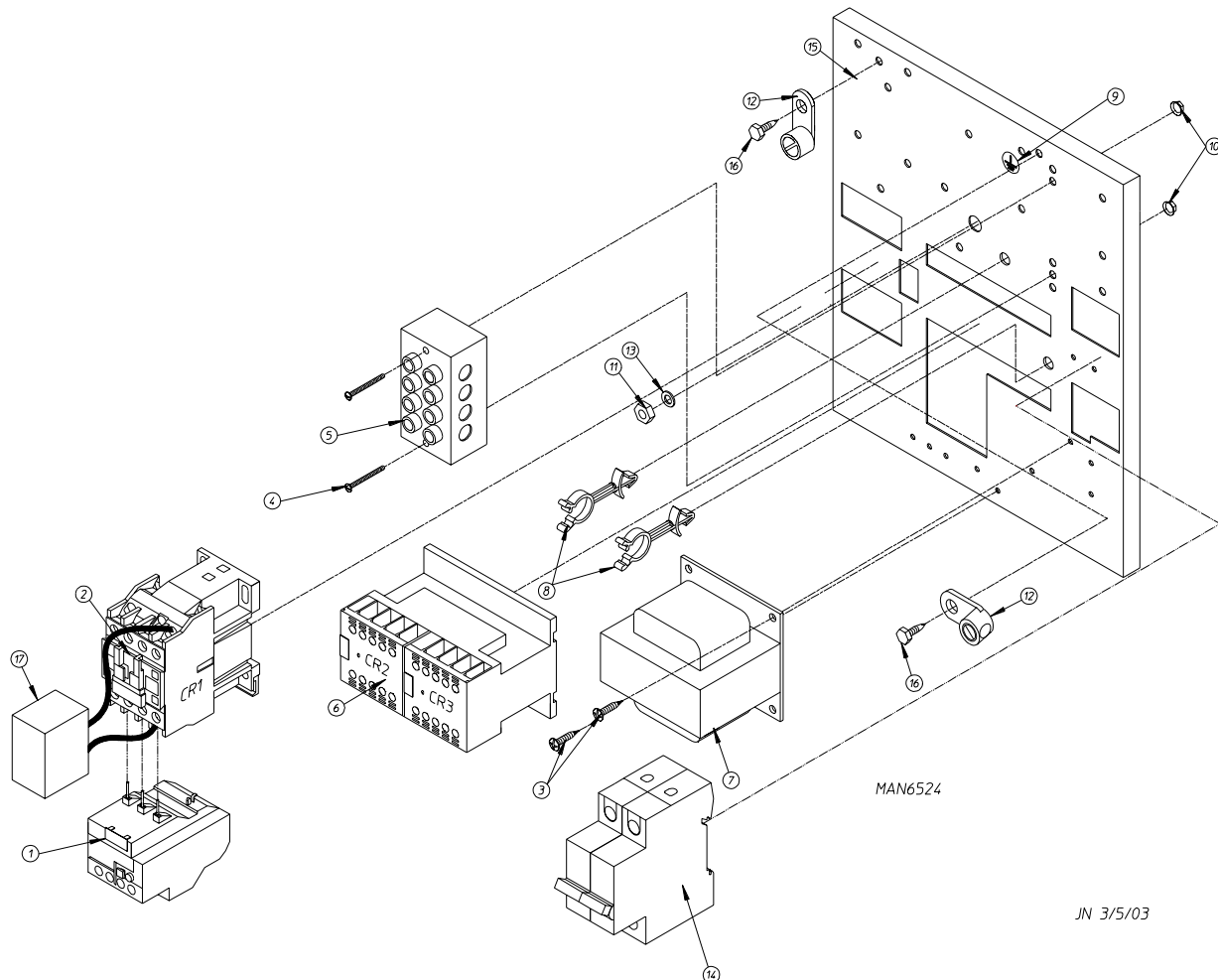
<u>Illus. No.</u>	<u>Part No.</u>	<u>Qty.</u>	<u>Description</u>
1	132474	1	3.7-5.5-Amp Overload Relay
2	132514	1	3-Phase (3 $\phi$ ) Contactor with Arc Suppressor
3	150300	2	#10-16 x 1/2" Hex Washer TEK Screw
4	150009	2	#6-32 x 1-1/2" Phillips Round Head Machine Screw
5	120701	1	4-Position Terminal Block
6	132497	1	Reversing Contactor
7	830226	1	460-480 Volt Transformer Assembly
8	121502	2	1/2" Wire Standoff
9	112075	1	Ground Label
10	151000	2	#6-32 Pal Nut
11	152004	1	5/16-18 Hex Nut
12	121010	2	L-70 Ground Lug
13	153002	1	5/16" Lock Washer
14	135501	1	2-Pole 1-Amp Circuit Breaker
15	323743	1	Relay Panel
	823021	1	Reversing Relay Panel Complete (includes illus. nos. 1 through 16)
16	120910	2	#10-32 Green Ground Screw

For Models Mfd. prior to January 23, 2003



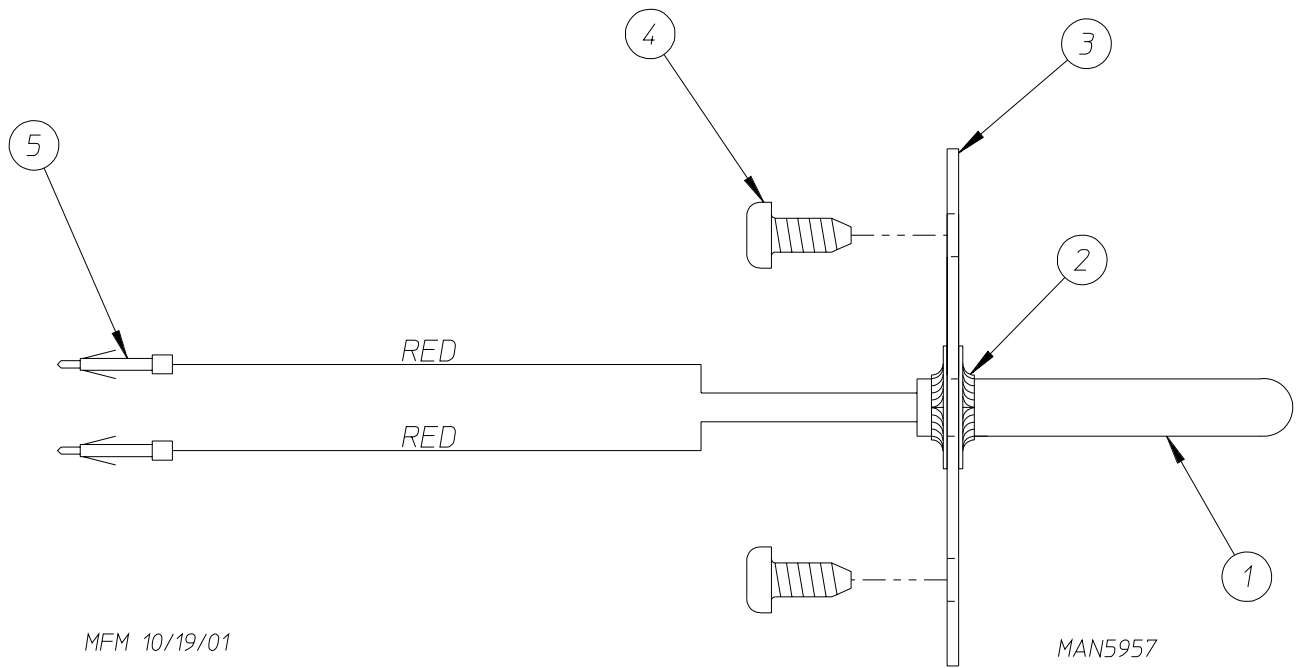
<u>Illus. No.</u>	<u>Part No.</u>	<u>Qty.</u>	<u>Description</u>
1	132467	1	9-13-Amp Overload Relay
2	132445	1	3-Phase (3 $\phi$ ) HP Contactor
3	150300	2	#10-16 x 1/2" Hex Washer TEK Screw
4	150009	2	#6-32 x 1-1/2" Phillips Round Head Machine Screw
5	120701	1	4-Position Terminal Block
6	132497	1	Reversing Contactor
7	822799	1	208-240 Volt Transformer Assembly
8	121502	2	1/2" Wire Standoff
9	112075	1	Ground Label
10	151000	2	#6-32 Pal Nut
11	152004	1	5/16-18 Hex Nut
12	121010	2	L-70 Ground Lug
13	153002	1	5/16" Lock Washer
14	136008	2	Fuse Holder
15	136057	2	1/2-Amp (Slo-Blo) Fuse
16	323743	1	Relay Panel
	822765	1	Reversing Relay Panel Complete (includes illus. nos. 1 through 19)
17	150301	2	#8-18 x 7/16" Phillips Pan Head TEK Screw
18	150297	2	#10 x 1/2" Hex Washer TEK Screw
19	137015	1	R.C. Network

For Models Mfd. prior to January 23, 2003

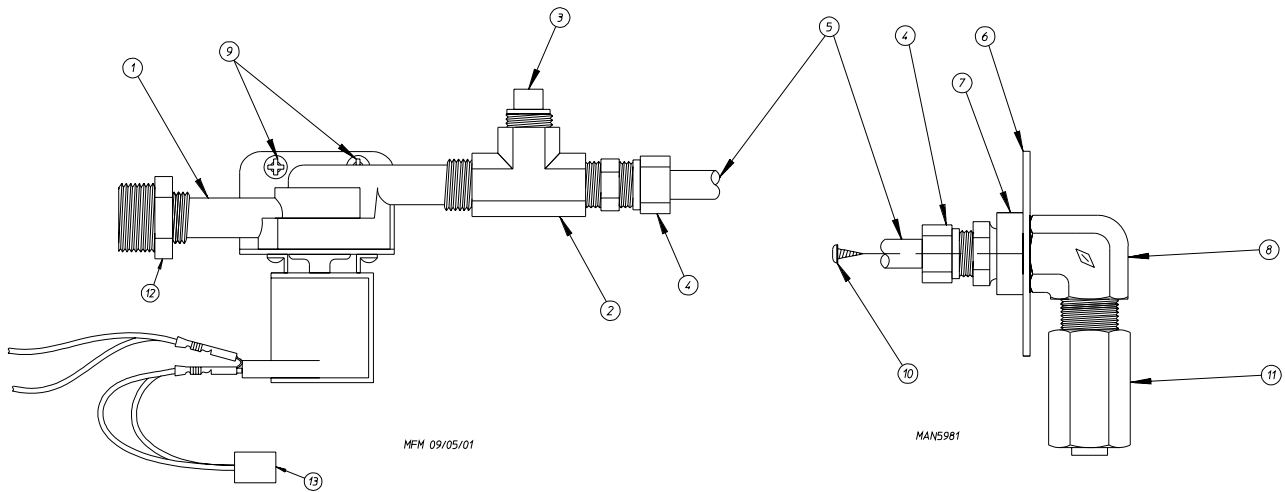


<u>Illus. No.</u>	<u>Part No.</u>	<u>Qty.</u>	<u>Description</u>
1	132468	1	4-6-Amp Overload Relay
2	132445	1	3-Phase (3φ) HP Contactor
3	150300	2	#10-16 x 1/2" Hex Washer TEK Screw
4	150009	2	#6-32 x 1-1/2" Phillips Round Head Machine Screw
5	120701	1	4-Position Terminal Block
6	132497	1	Reversing Contactor
7	824221	1	460-480 Volt Transformer Assembly
8	121502	2	1/2" Wire Standoff
9	112075	1	Ground Label
10	151000	2	#6-32 Pal Nut
11	152004	1	5/16-18 Hex Nut
12	121010	2	L-70 Ground Lug
13	153002	1	5/16" Lock Washer
14	135501	1	2-Pole 1-Amp Circuit Breaker
15	323743	1	Relay Panel
	830164	1	Reversing Relay Panel Complete (includes illus. nos. 1 through 17)
16	150297	2	#10 x 1/2" Hex Washer TEK Screw
17	137015	1	R.C. Network



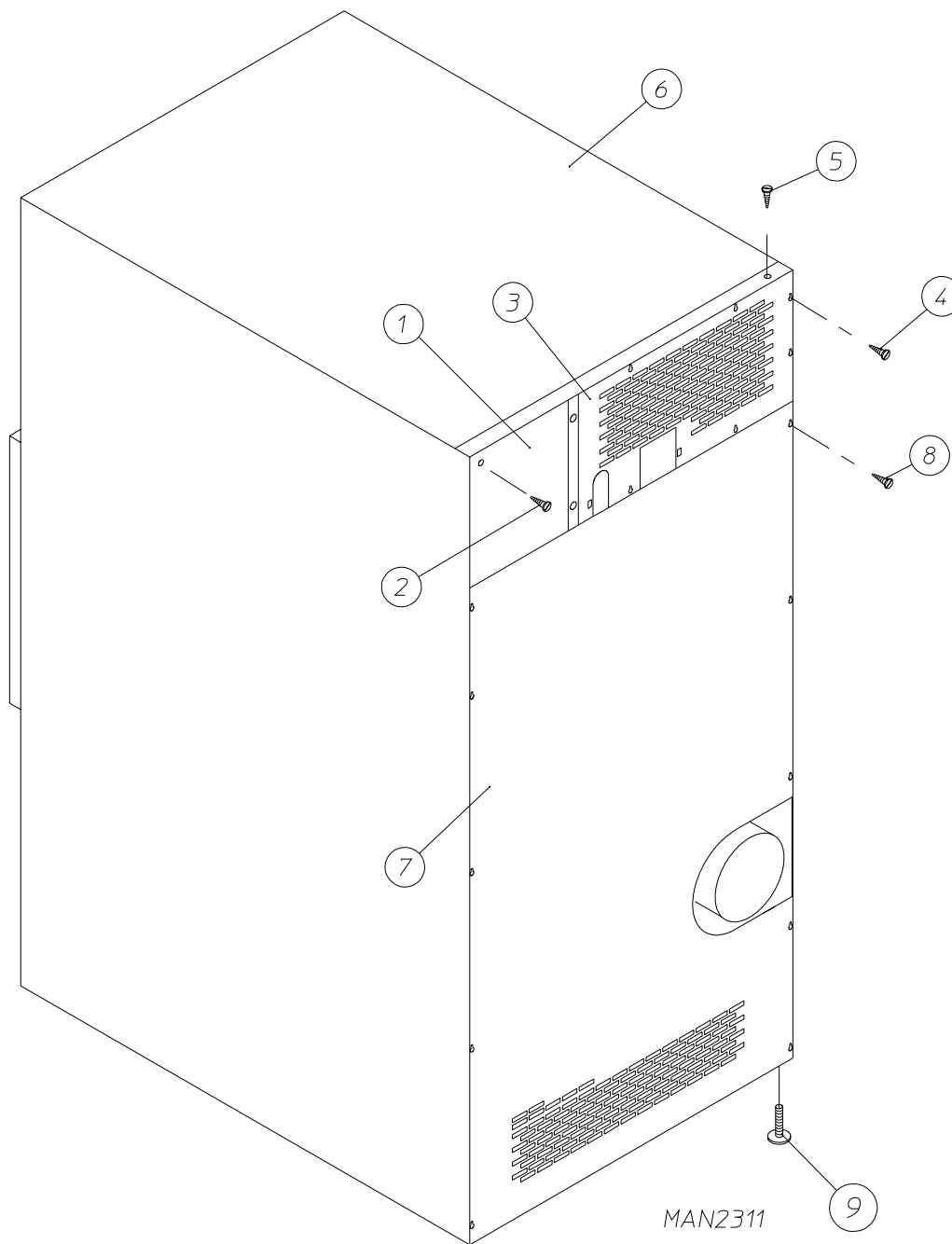


<u>Illus. No.</u>	<u>Part No.</u>	<u>Qty.</u>	<u>Description</u>
1	822752	1	Fire Suppression System (FSS) Temperature Probe Assembly (includes illus. nos. 1 through 5)
2	154007	2	Push On Fastener
3	390390	1	Sensor Bracket ONLY
4	150301	2	#8-18 x 7/16" Phillips Pan Head TEK Screw
5	122643	2	Pins
	122647	1	Connector ONLY...Not Illustrated ( <b>does not</b> include pins)



<u>Illus. No.</u>	<u>Part No.</u>	<u>Qty.</u>	<u>Description</u>
1	165114	1	Fire Suppression System (FSS) Solenoid Valve 24V 50/60 Hz
2	143220	1	3/8" F.P.T. Brass Tee
3	143251	1	3/8" M.P.T. Brass Plug
4	143208	2	3/8" Comp x 3/8" M.P.T. Brass Connector
5	143099*	6'	3/8" OD x 0.035 Wall Copper Tubing
6	311588	1	Sprinkler Head Mounting Plate
7	143303	1	3/8" N.P.T. Brass Locknut
8	143155	1	3/8" Brass Elbow 90°
9	150430	2	#10 x 1/2" Self Drilling Screw
10	150301	2	#8-18 x 7/16" Phillips Pan Head TEK Screw
11	143581	1	3 GPM 3/8" F.P.T. Spray Nozzle
12	142888	1	1/2" to 3/8" Bushing for Fire Suppression System (FSS) Valve
13	824828	1	Arc Suppressor

\* Sold by the foot.



<u>Illus. No.</u>	<u>Part No.</u>	<u>Qty.</u>	<u>Description</u>
1	323749	1	Rear Electrical Box Cover (10-13/16" x 9-3/4")
2	150301	6	#8-18 x 7/16" Phillips Pan Head TEK Screw
3	323759	1	Top Back Guard Assembly (26-7/8" x 13-15/16")
4	150301	6	#8-18 x 7/16" Phillips Pan Head TEK Screw
5	150301	8	#8-18 x 7/16 Phillips Pan Head TEK Screw
6	312527	1	Outer Top Assembly
7	314511	1	Lower Back Guard
8	150301	10	#8-18 x 7/16" Phillips Pan Head TEK Screw
9	103500	4	Leveling Leg
10	882203	1	12" to 14" Exhaust Increaser

<u>Part No.</u>	<u>Description</u>
112280	“Clean Lint Screen” Label
112519	“Routine Maintenance Schedule” Label
114001	“CAUTION - Exhaust/Lint Screen” Label
114006	“WARNING - Fire Hazards” Label
117505	Aluminum Duct Tape (sold by the foot)
120100	3/8” Straight (BX) Connector
120301	1/2” x 45° (BX) Connector
120400	3/8” Red Jacket (BX) Insulator
120500	3/8” Jiffy Clip (BX retainer clip)
120600	3/8” Greenfield (BX)
120800	1/4” In-Line Connector
120802	Red Butt Connector
120902	#74B Wire Nut
120903	Crimp-On Wire Nut
121014	1/4” Insulated (female) Terminal
121499	5-1/2” Harness Tie
121500	8” Harness Tie
121503	Harness Tie Mounting Clip
122804	Manometer (hydro gauge) for Measuring Gas Pressure
404502	White Brush-In-Cap Bottle Touch-Up Paint
404515	Coral Blue Brush-In-Cap Bottle Touch-Up Paint
882458	Basket (tumbler) Bearing Puller

ADC450568

1 - 12/17/01-25

2\* 03/14/03-20

