



**ML-96**  
**Phase 7**  
**Parts Manual**  
**2001**

---

---

**American Dryer Corporation**  
88 Currant Road  
Fall River, MA 02720-4781  
Telephone: (508) 678-9000 / Fax: (508) 678-9447  
e-mail: [techsupport@amdry.com](mailto:techsupport@amdry.com)  
[www.amdry.com](http://www.amdry.com)

# Retain This Manual In A Safe Place For Future Reference

American Dryer Corporation products embody advanced concepts in engineering, design, and safety. If this product is properly maintained, it will provide many years of safe, efficient, and trouble-free operation.

*ONLY qualified technicians should service this equipment.*

**OBSERVE ALL SAFETY PRECAUTIONS** displayed on the equipment or specified in the installation manual included with the dryer.

The following “**FOR YOUR SAFETY**” caution **must be** posted near the dryer in a prominent location.

**FOR YOUR SAFETY**

Do not store or use gasoline or other flammable vapors and liquids in the vicinity of this or any other appliance.

**POUR VOTRE SÉCURITÉ**

Ne pas entreposer ni utiliser d'essence ni d'autres vapeurs ou liquides inflammables à proximité de cet appareil ou de tout autre appareil.

We have tried to make this manual as complete as possible and hope you will find it useful. **ADC** reserves the right to make changes from time to time, without notice or obligation, in prices, specifications, colors, and material, and to change or discontinue models.

## Important

For your convenience, log the following information:

**DATE OF PURCHASE** \_\_\_\_\_ **MODEL NO.** ML-96 Phase 7

**RESELLER'S NAME** \_\_\_\_\_

**Serial Number(s)** \_\_\_\_\_

\_\_\_\_\_

\_\_\_\_\_

Replacement parts can be obtained from your reseller or the **ADC** factory. When ordering replacement parts from the factory, you can FAX your order to **ADC** at (508) 678-9447 or telephone your order directly to the **ADC** Parts Department at (508) 678-9000. Please specify the dryer **model number** and **serial number** in addition to the **description** and **part number**, so that your order is processed accurately and promptly.

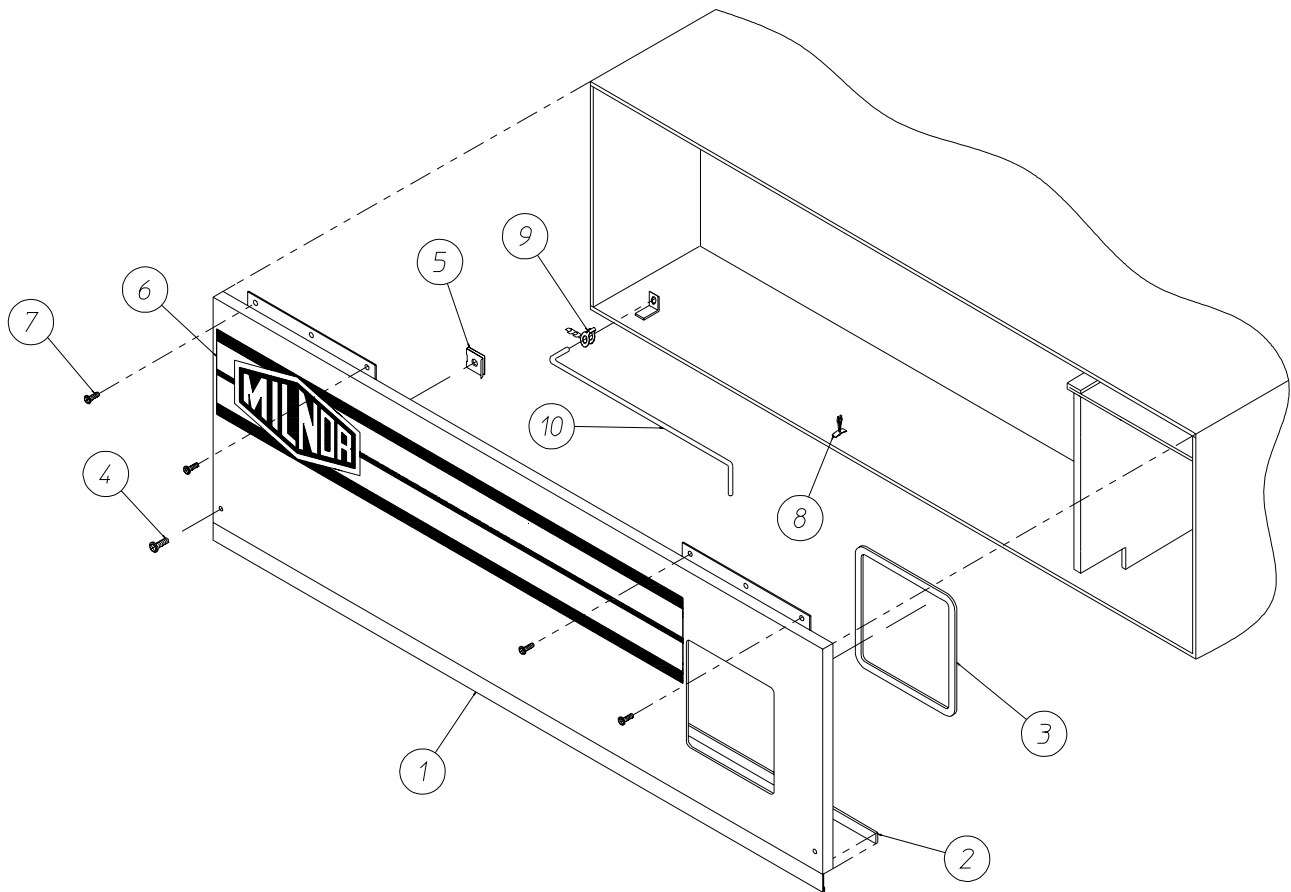
The illustrations on the following pages may not depict your particular dryer exactly. The illustrations are a composite of the various dryer models. Be sure to check the descriptions of the parts thoroughly before ordering.

**“IMPORTANT NOTE TO PURCHASER”**

Information **must be** obtained from your local gas supplier on the instructions to be followed if the user smells gas. These instructions **must be** posted in a prominent location near the dryer.

# *Table of Contents*

Control Door Assembly .....	2
Phase 7 OPL Microprocessor Control Panel Assembly .....	3
Main Door/Front Panel Assembly .....	4
Main Door Assembly .....	5
Main Door Switch Assembly .....	6
Temperature Sensor Bracket Assembly .....	7
Wrapper Assembly .....	8
Lint Drawer Assembly .....	9
Basket (Tumbler) Assembly .....	10
Phase 7 Rotational Sensor Assembly .....	11
Idler Shaft Assembly .....	12
Drive Shaft Assembly .....	13
Drive Motor Assembly .....	14, 15
Direct Spark Ignition (DSI) Burner Assembly .....	16, 17
Motorized Impellor (Fan) Assembly .....	18
Reversing Relay Panel Assembly .....	19
Pneumatic Valve Assembly .....	20
Air Jet Assembly .....	21
Sail Switch Assembly .....	22
F.S.S. Temperature Probe Assembly .....	23
F.S.S. Solenoid Assembly .....	24
Exhaust Collar Assembly .....	25

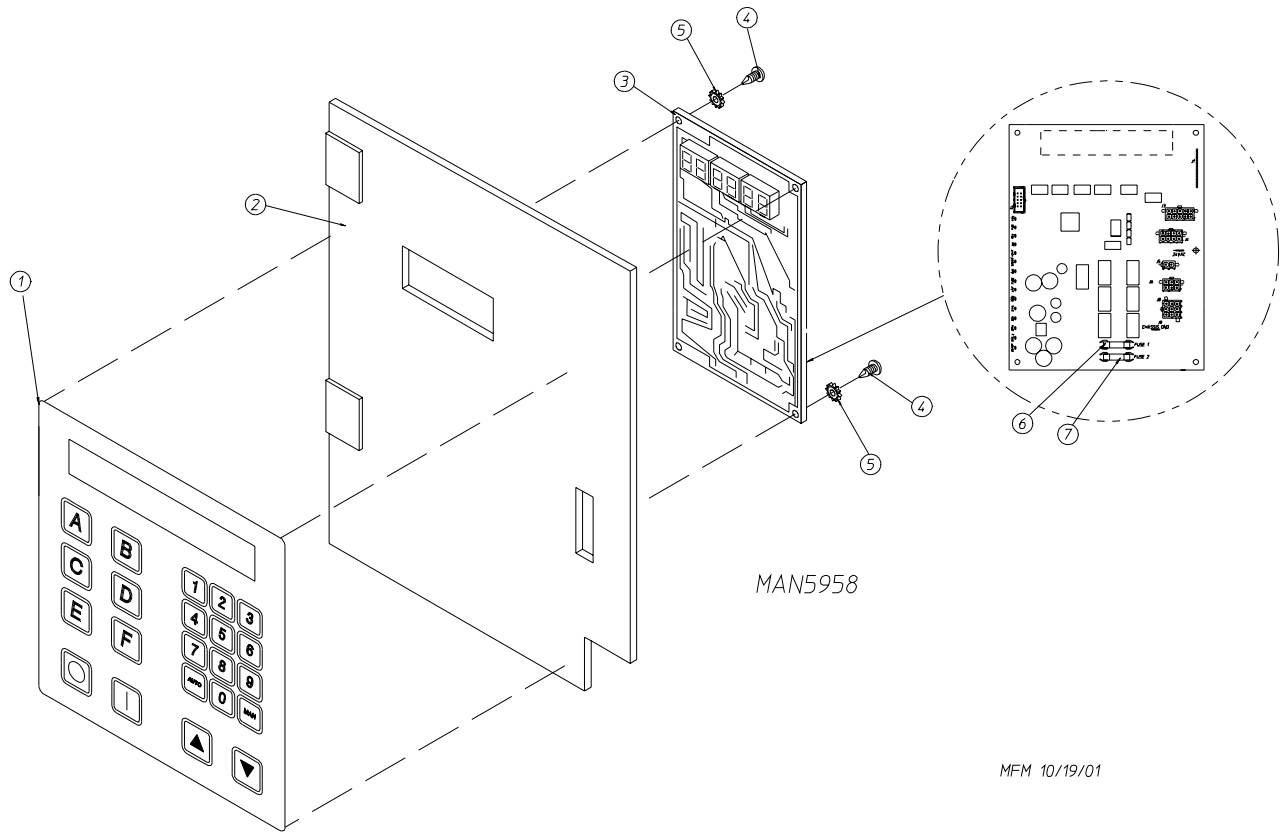


MAN5970

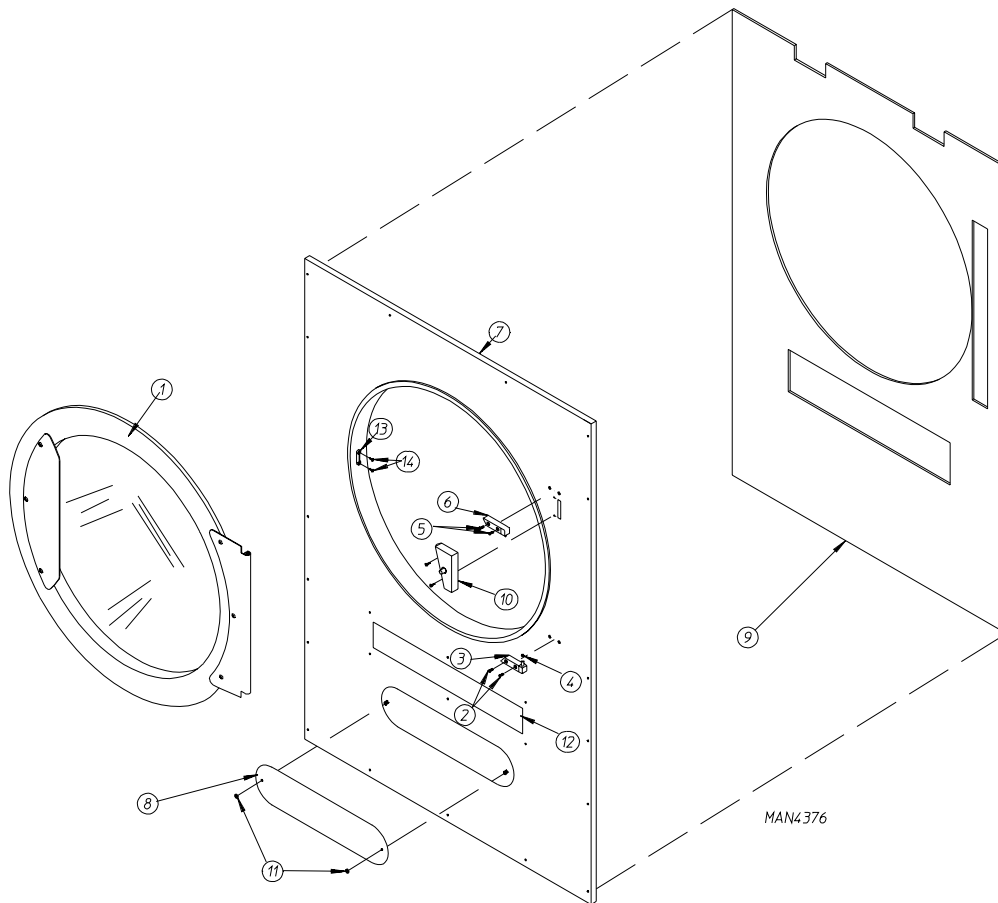
MFM 11/16/01

<u>Illus. No.</u>	<u>Part No.</u>	<u>Qty.</u>	<u>Description</u>
1	883293*	1	Phase 7 Control Door with Hinge (includes illus. nos. 2 and 3)
2	117603	2	1/8" x 9/16" Noise Suppressor Tape
3	117604	4	Neoprene Sponge Tape (sold by the foot)
4	150314	2	#10-32 x 1/2" TORX Screw
5	154011	2	#10-32 Multi-Thread U-Nut
6	112366	1	Logo ONLY
7	150309	4	#10-16 x 1/2" Hex Head TEK Crimptite Screw
8	102603	1	Control Door Rod Support Catch
9	102601	1	Control Door Retainer Clip
10	102502	1	Control Door Rod

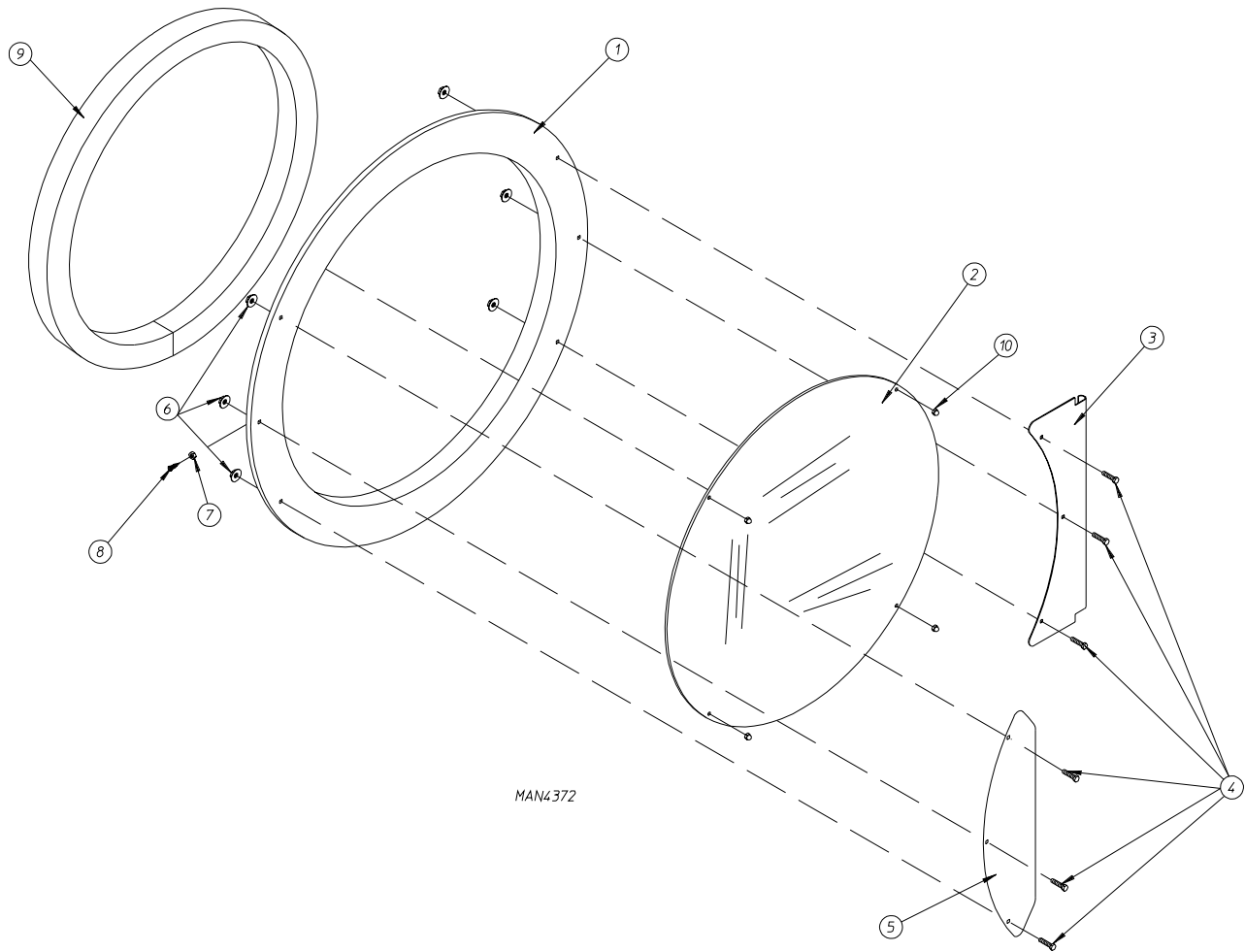
\* Specify color when ordering.



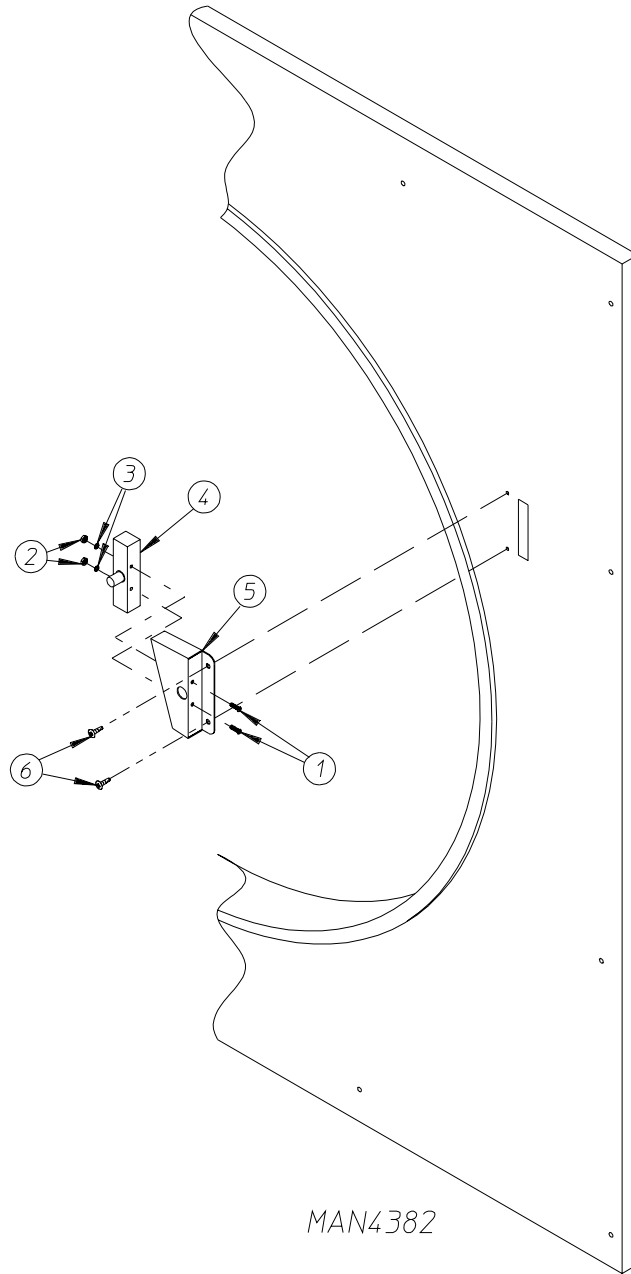
<u>Illus. No.</u>	<u>Part No.</u>	<u>Qty.</u>	<u>Description</u>
1	112537	1	Phase 7 OPL Keyboard
2	850984	1	Phase 7 Microprocessor Controller (computer) Panel ONLY
3	822767	1	Phase 7 OPL Reversing Microprocessor Controller (computer) Control Panel Assembly Complete (includes illus. nos. 1 through 7)
	137247	1	Phase 7 OPL Microprocessor Controller (computer) ONLY
4	150005	2	#6-32 x 3/4" Phillips Round Head Machine Screw
5	153010	2	#6 Star Washer
6	136016	1	5-Amp Fuse
7	136097	1	500-mA Fuse



<u>Illus. No.</u>	<u>Part No.</u>	<u>Qty.</u>	<u>Description</u>
1	-----	1	Main Door (refer to <b>Main Door Assembly</b> on <b>page 5</b> )
2	150443	2	Socket Cap Screw
3	881441	1	Bottom Hinge Block (white)
	882283	1	Bottom Hinge Block (wrinkle coral blue)
4	153031	1	Nylon Washer
5	150443	2	Socket Cap Screw
6	881440	1	Top Hinge Block (white)
	882284	1	Top Hinge Block (wrinkle coral blue)
7	882236	1	Front Panel (white) (includes illus. nos. 7, 13, and 14)
	882345	1	Front Panel Assembly (wrinkle coral blue) (includes illus. nos. 7, 13, and 14)
8	390227	1	Emblem
9	116326	1	Front Panel Insulation
10	-----	1	Main Door Switch (refer to <b>Main Door Switch Assembly</b> on <b>page 6</b> )
11	182507	2	1/4-20 High Crown Acorn Nut
12	-----	1	Lint Screen (refer to <b>Lint Door Assembly</b> on <b>page 9</b> )
13	170330	1	Friction Door Latch
14	154215	2	5/32 x 1/4" Rivet

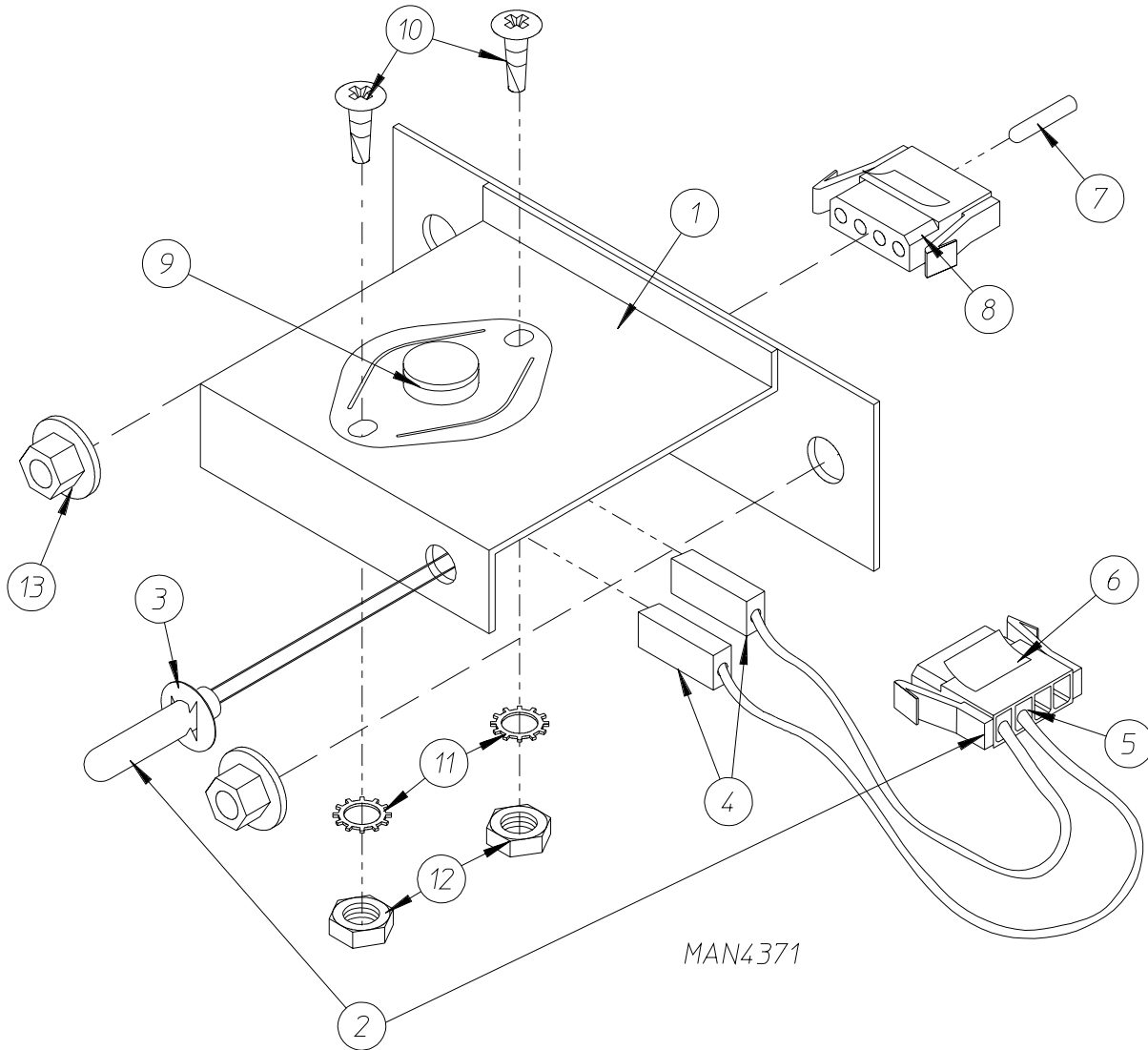


<u>Illus. No.</u>	<u>Part No.</u>	<u>Qty.</u>	<u>Description</u>
1	881968	1	Cold Rolled Steel (CRS) Main Door Assembly (white)
	882292	1	Cold Rolled Steel (CRS) Main Door Assembly (wrinkle coral blue)
	881966	1	Cold Rolled Steel (CRS) Large Main Door Ring (white)
	882305	1	Cold Rolled Steel (CRS) Large Main Door Ring (wrinkle coral blue)
2	102214	1	30" Main Door Glass
3	881685	1	Main Door Hinge (white)
	882296	1	Main Door Hinge (wrinkle coral blue)
4	881740	6	1/4-20 x 5/8" Carriage Bolt (white)
	882339	6	1/4-20 Carriage Bolt (wrinkle coral blue)
5	881688	1	Main Door Handle (white)
	882295	1	Main Door Handle (wrinkle coral blue)
6	881806	6	1/4-20 Free Spin Wash Nut (white)
	882293	6	1/4-20 Free Spin Wash Nut (wrinkle coral blue)
7	152008	1	#10-32 Hex Nut
8	150120	1	Door Latch Screw
9	102357	1	7/8" x 7/8" x 104" Door Gasket
10	151012	4	#10-32 Nylon Acorn Nut

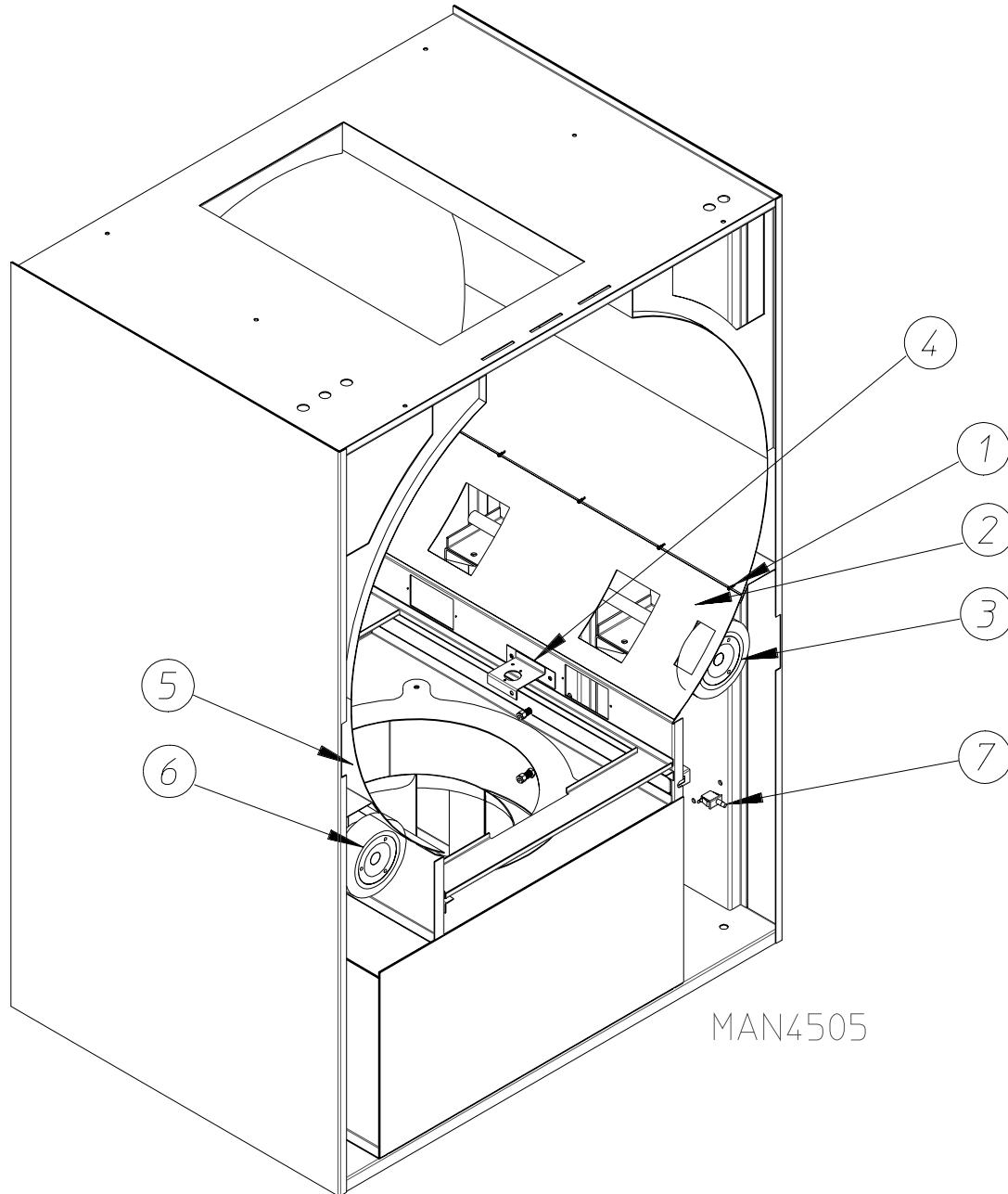


<u>Illus. No.</u>	<u>Part No.</u>	<u>Qty.</u>	<u>Description</u>
1	150006	2	#6-32 x 7/8" Phillips Pan Head Machine Screw
2	152013	2	#6-32 Hex Nut
3	153010	2	#6 Star Washer
4	137005	1	Main Door Switch ONLY
5	881702	1	Main Door Switch Housing Assembly Complete (white) (includes illus. nos. 1 through 5)
	882298	1	Main Door Switch Housing Assembly (wrinkle coral blue) (includes illus. nos. 1 through 5)
	881687	1	Main Door Switch Housing ONLY (white)
	882291	1	Main Door Switch Housing ONLY (wrinkle coral blue)
6	150301	2	#8-18 x 7/16" Phillips Pan Head TEK Screw

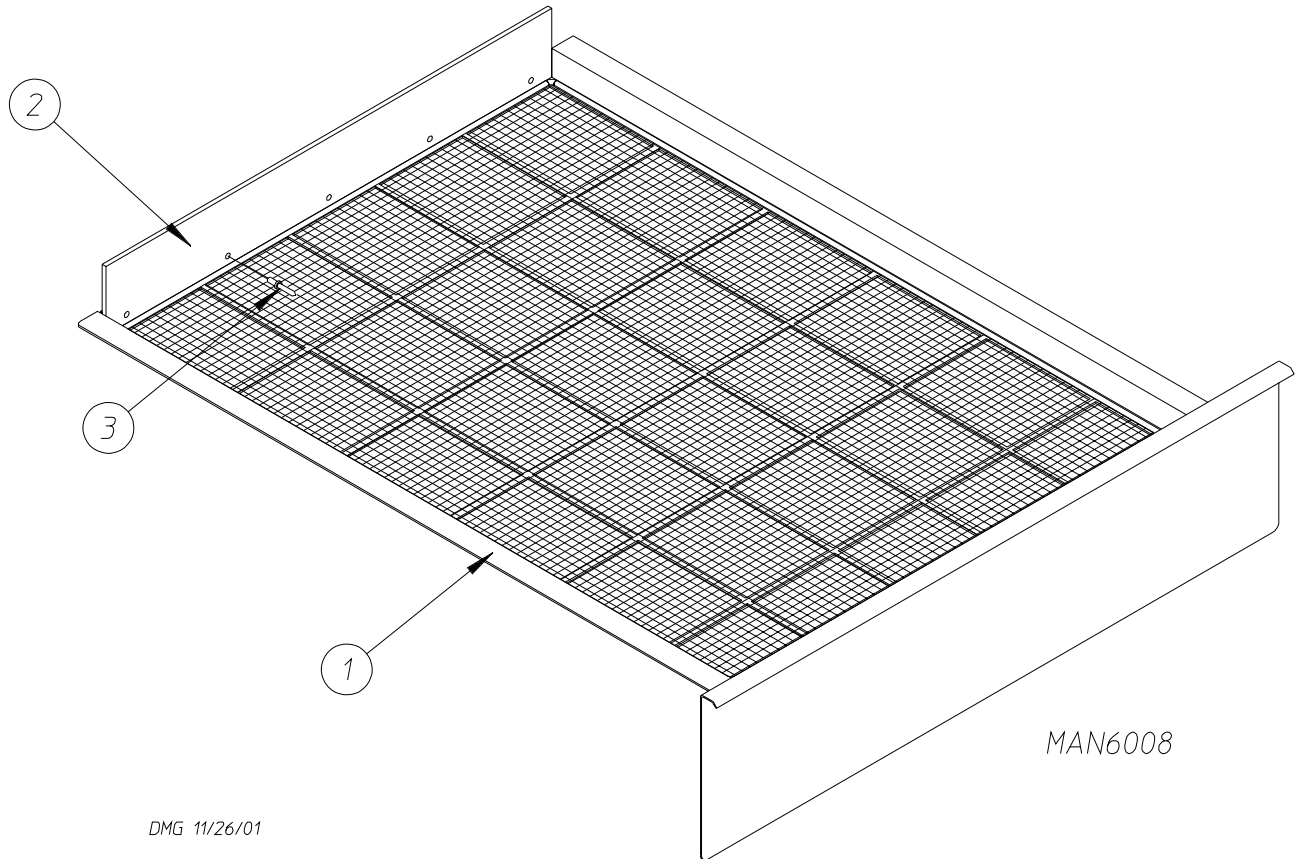




<u>Illus. No.</u>	<u>Part No.</u>	<u>Qty.</u>	<u>Description</u>
1	859372	1	Temperature Sensor Bracket Complete (includes illus. nos. 1 through 6 and 9 through 12)
	881089	1	Sensor Bracket
2	880252	1	4" Temperature Sensor Probe Assembly
3	154007	2	1/4" Push On Fastener
4	121028	1	1/4" Terminal
5	122701	4	Socket Terminal ONLY
6	122605	1	4-Position Female Connector
7	122700	4	Pin Terminal ONLY
8	122604	1	4-Position Male Connector
9	130302	1	225° Thermostat
10	150005	2	#6-32 x 1/4" Phillips Round Head Machine Screw
11	153010	2	#6 Star Washer
12	152013	2	#6-32 Hex Nut
13	152014	2	1/4-20 Free Spin Wash Nut



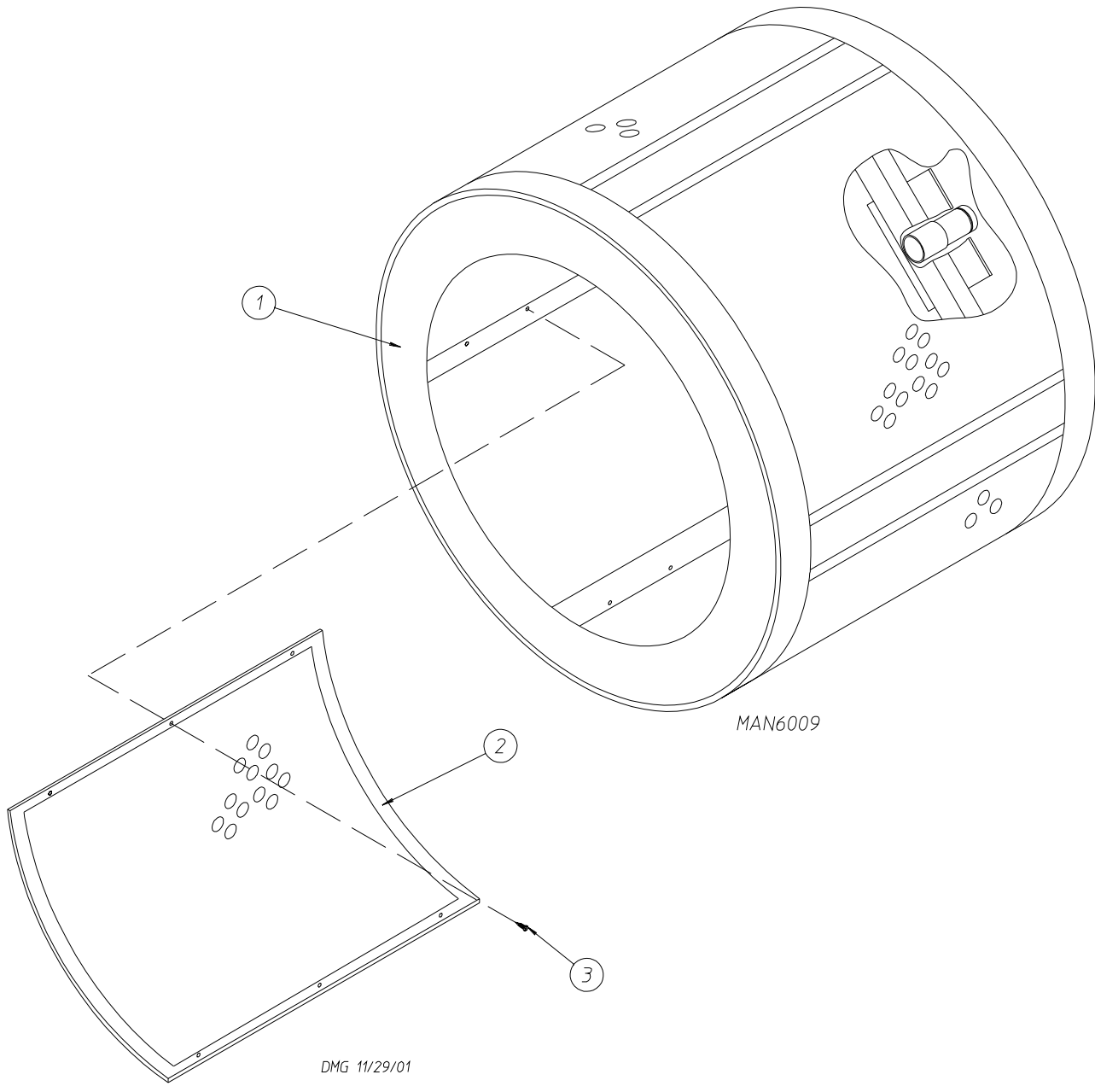
<u>Illus. No.</u>	<u>Part No.</u>	<u>Qty.</u>	<u>Description</u>
1	150309	20	#10-16 x 1/2" Hex Head TEK Crimptite Screw
2	859367	1	Bottom Right Wrapper
3	-----	1	Idler Shaft (refer to <b>Idler Shaft Assembly</b> on <a href="#">page 12</a> )
4	-----	1	Temperature Sensor Bracket (refer to <b>Temperature Sensor Bracket Assembly</b> on <a href="#">page 7</a> )
5	859368	1	Bottom Left Wrapper
6	-----	1	Drive Shaft (refer to <b>Drive Shaft Assembly</b> on <a href="#">page 13</a> )
7	122116	1	Lint Door Switch - 24 VAC



---

<u>Illus. No.</u>	<u>Part No.</u>	<u>Qty.</u>	<u>Description</u>
1*	883305	1	Lint Drawer Assembly (includes illus. nos. 1 through 3)
2	115902	1	Lint Basket Felt
3	154215	5	5/32 x 1/4" Rivet

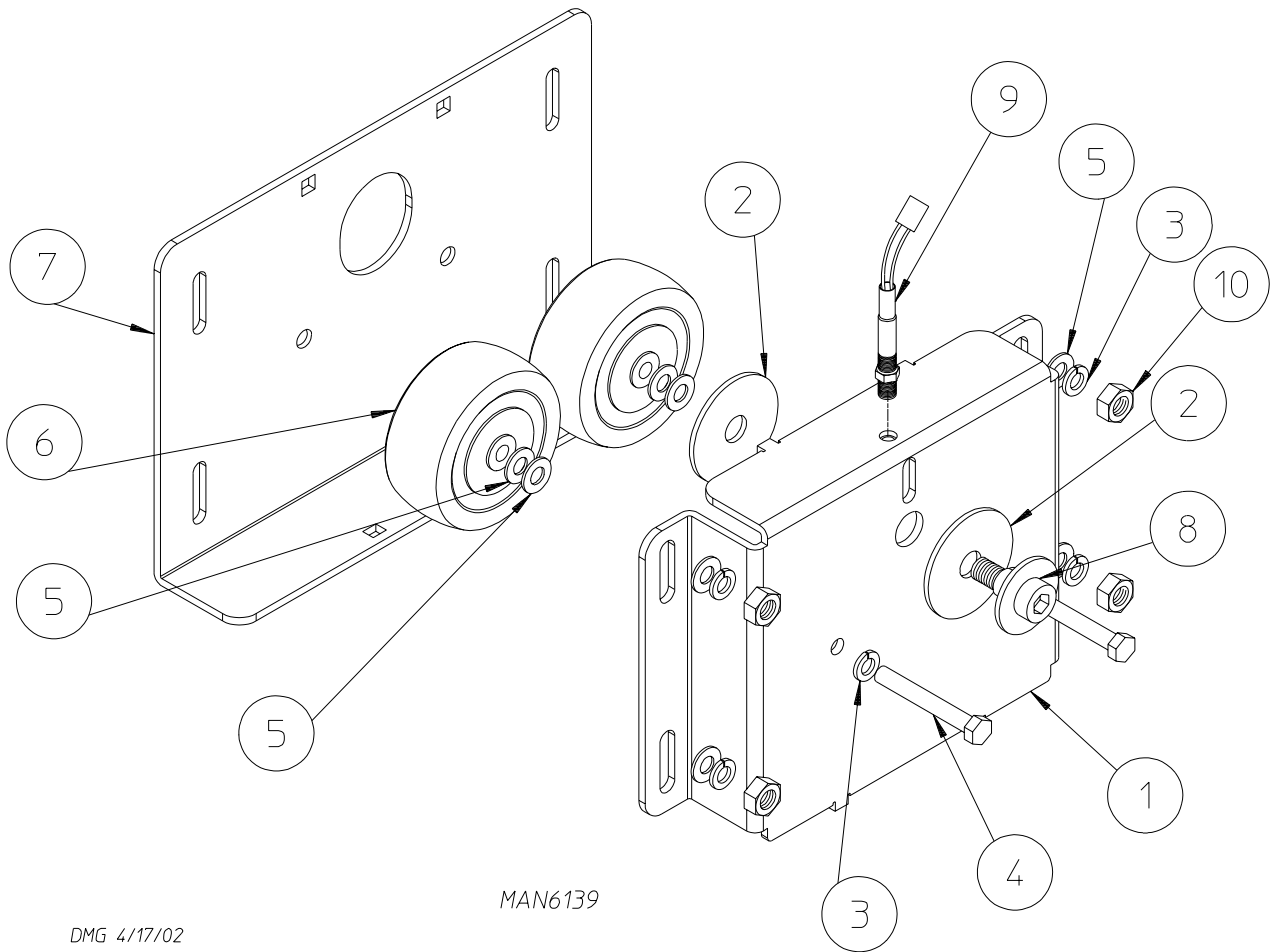
\* Specify color when ordering.



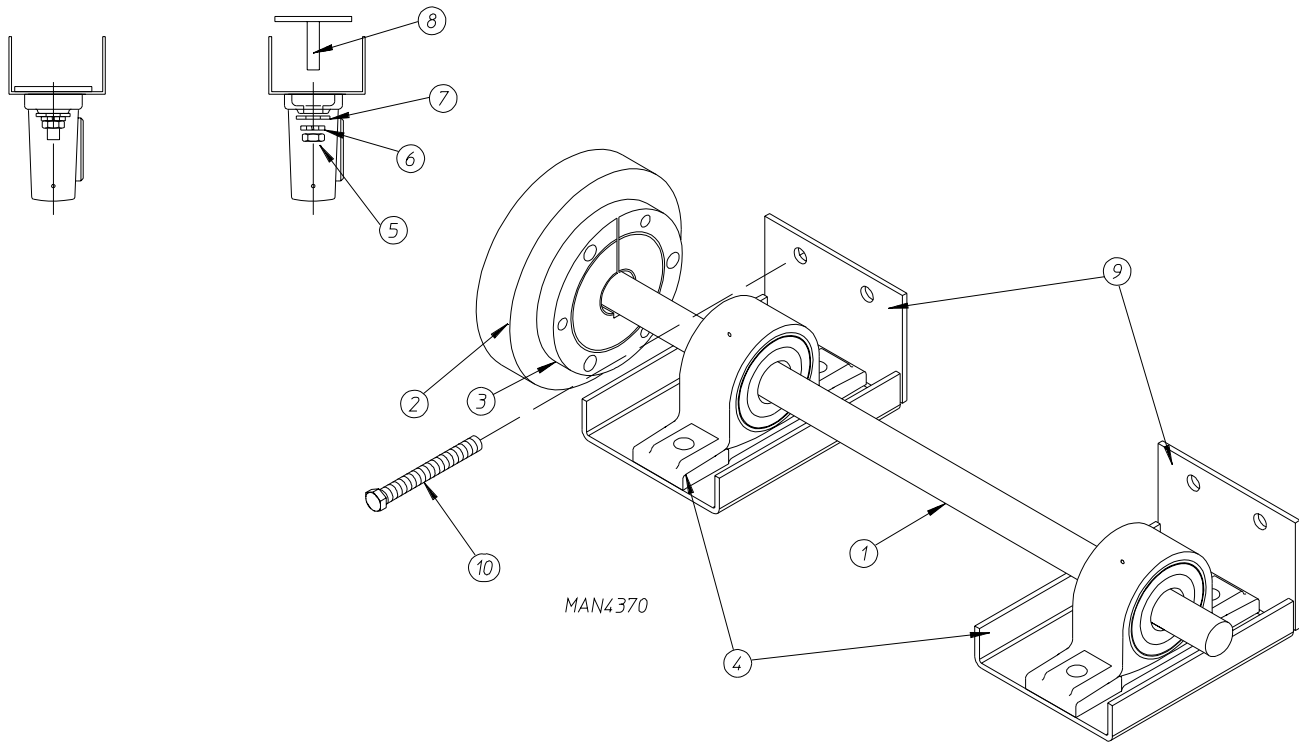
---

<u>Illus. No.</u>	<u>Part No.</u>	<u>Qty.</u>	<u>Description</u>
1	859389	1	Basket (tumbler) Assembly Complete (includes illus. nos. 1 through 3)
2	882234	4	Perforated Basket (tumbler) Panel
3	150118	24	1/4-20 x 1/4" Phillips Pan Head Screw

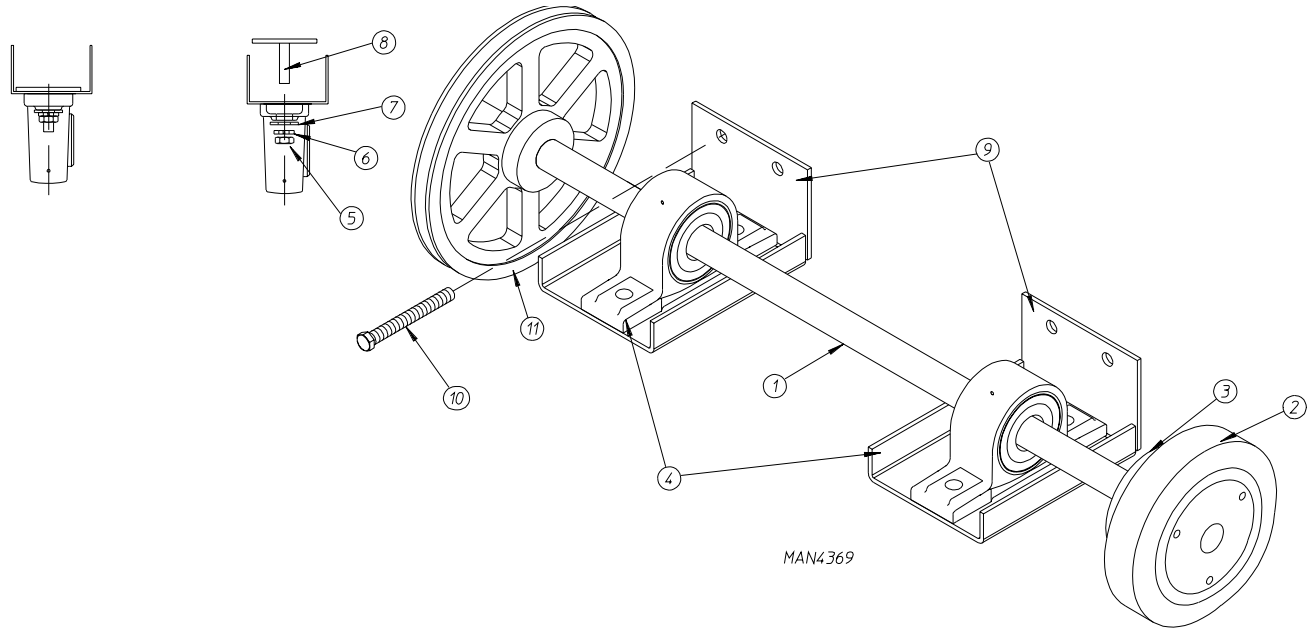
---



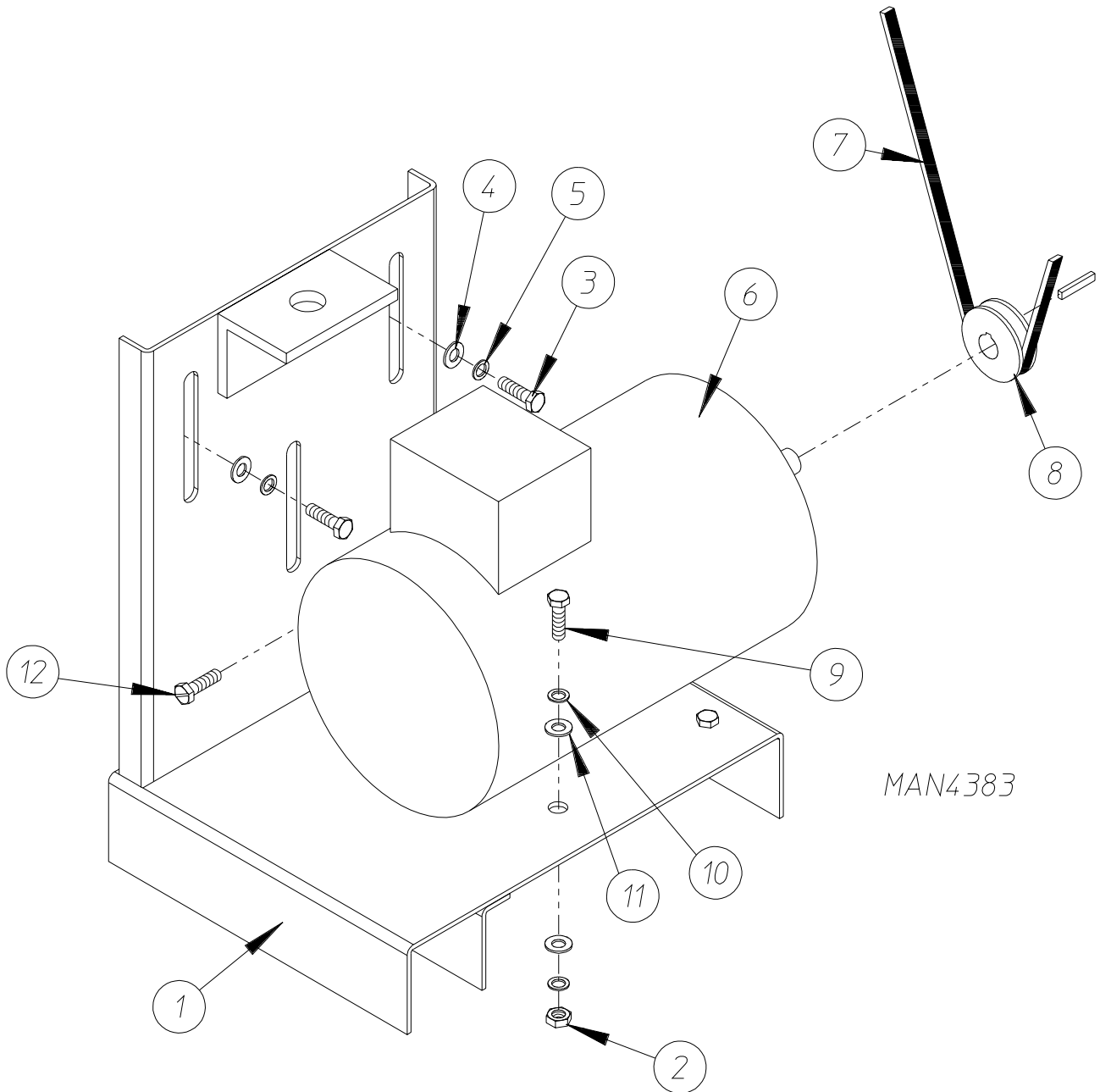
Illus. No.	Part No.	Qty.	Description
1	819064	1	Basket (tumbler) Shaft Support Assembly Complete (includes illus. nos. 1 through 8)
	835339	1	Basket (tumbler) Shaft Support Bracket
2	102394	2	Basket (tumbler) Friction Pad
3	153005	6	3/8" Lock Washer
4	150619	2	3/8-16 x 1" Tap Bolt
5	153004	8	3/8" Flat Washer
6	180018	4	4" x 1-1/2" Hi-Impact Wheel
7	819046	1	Basket (tumbler) Adjustment Plate
8	819065	1	Basket (tumbler) Shoulder Screw
9	822735	1	Phase 7 Rotational Sensor Assembly
10	152005	4	3/8-16 Hex Nut



<u>Illus. No.</u>	<u>Part No.</u>	<u>Qty.</u>	<u>Description</u>
1	859328	1	Idler Shaft Assembly Complete (includes illus. nos. 1 through 10)
	390232	1	Idler Shaft ONLY
2	180033	2	6" Wheel
3	180038	2	1" Taper Lock Bushing
4	880205	2	1" Pillow Block Bearing
5	152004	4	5/16-18 Hex Nut
6	153002	4	5/16" Lock Washer
7	153001	4	5/16" Flat Washer
8	859008	2	Bearing Bolt Plate Assembly
9	859327	2	Bearing Pad
10	150509	4	5/16-18 x 3" Tap Bolt



<u>Illus. No.</u>	<u>Part No.</u>	<u>Qty.</u>	<u>Description</u>
1	859329	1	Drive Shaft Assembly Complete (includes illus. nos. 1 through 11)
	390423	1	Drive Shaft ONLY
2	180033	2	6" Wheel
3	180038	2	1" Taper Lock Bushing
4	880205	2	1" Pillow Block Bearing
5	152004	4	5/16-18 Hex Nut
6	153002	4	5/16" Lock Washer
7	153001	4	5/16" Flat Washer
8	859008	2	Bearing Bolt Plate Assembly
9	859327	2	Bearing Pad
10	150509	4	5/16-18 x 3" Tap Bolt
11	101209	1	9" Pulley

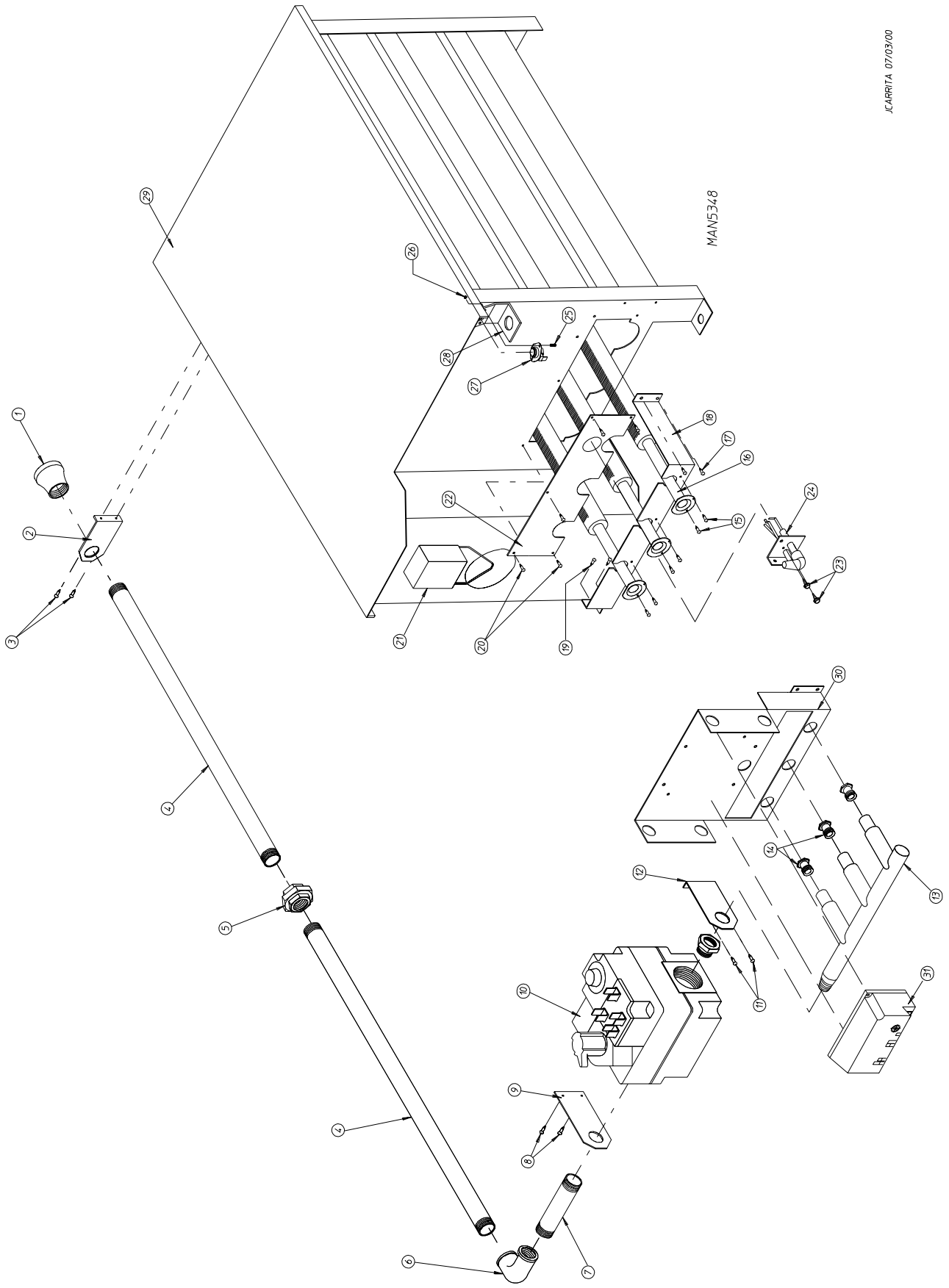




<u>Illus. No.</u>	<u>Part No.</u>	<u>Qty.</u>	<u>Description</u>
1	882245	1	Drive Motor Assembly Complete (includes illus. nos. 1, 2, 6, and 9 through 11)
	882237	1	Motor Mount ONLY
2	152004	4	5/16-18 Hex Nut
3	150501	3	5/16-18 x 3/4" Tap Bolt
4	153001	3	5/16" Flat Washer
5	153002	3	5/16" Lock Washer
6	181106	1	1/2 HP 208-480v 3 $\phi$ 50/60 Hz Drive Motor
7	100174	1	AX-53 Cogged V-Belt
8	101132	1	5/8" x 2" Motor Pulley
9	150501	4	5/16-18 x 3/4" Tap Bolt
10	153002	8	5/16" Lock Washer
11	153001	8	5/16" Flat Washer
12	150523	1	1/4-20 x 3/4" Hex Washer Machine Bolt

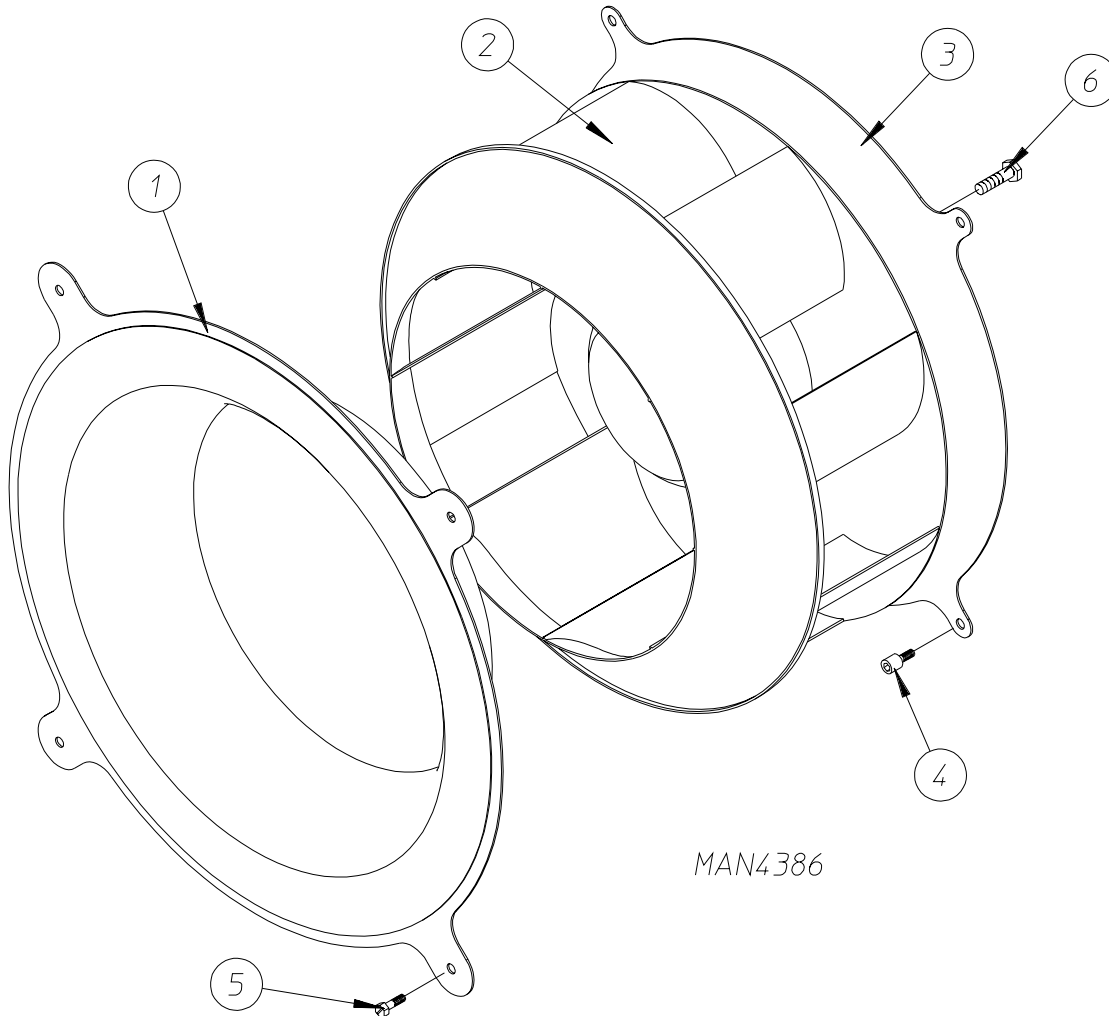
JCARRITA 07/03/00

MAN5348



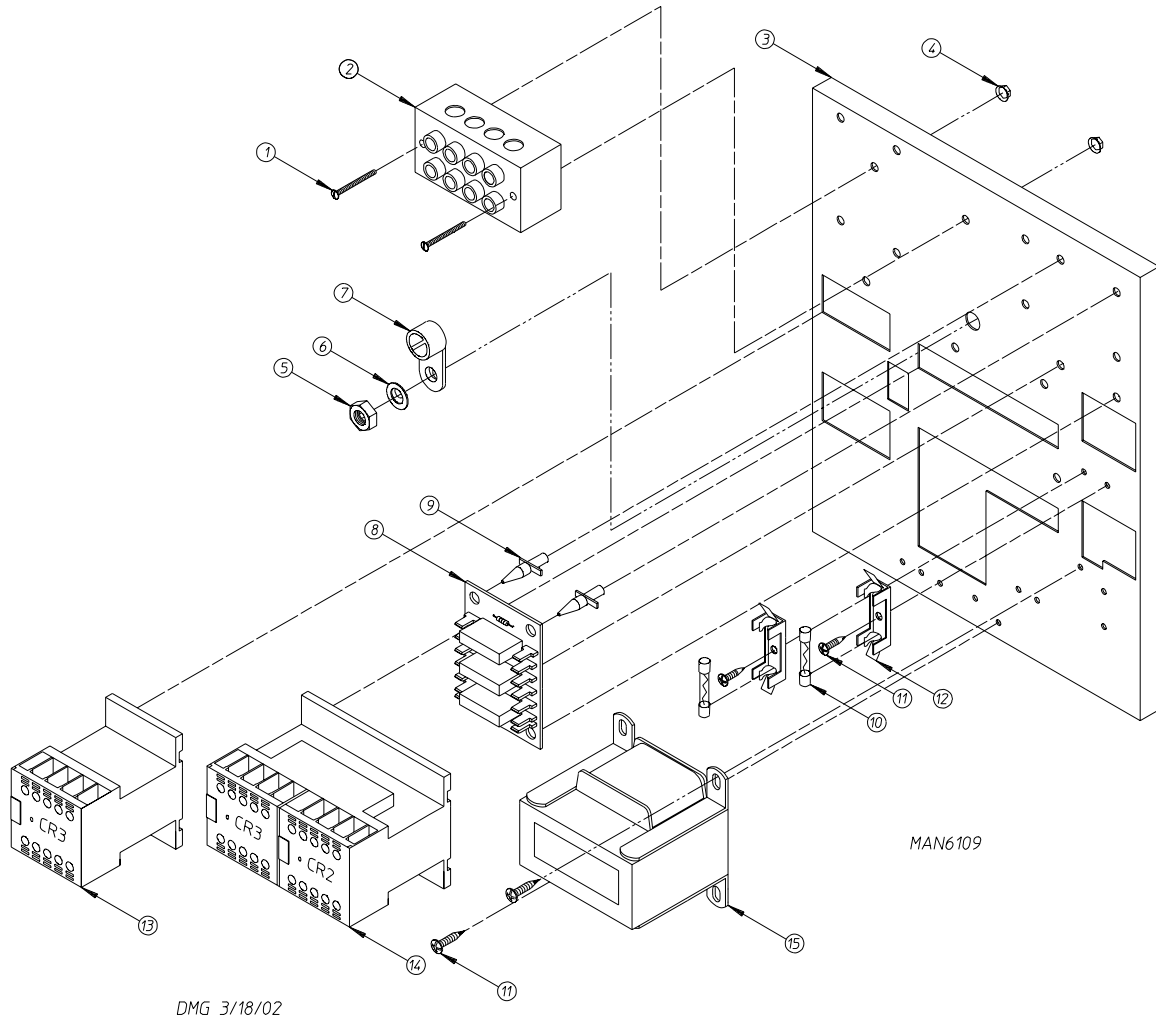
<u>Illus. No.</u>	<u>Part No.</u>	<u>Qty.</u>	<u>Description</u>
1	142924	1	1" to 3/4" Reducing Coupling
2	331291	1	Gas Valve Pipe Bracket
3	150309	2	#10-16 x 1/2" Hex Head TEK Crimptite Screw
4	142735	1	3/4" x 14" Bi Nipple
5	142601	1	3/4" Union
6	142504	1	3/4" x 90° Elbow
7	142734	1	3/4" x 5-1/2" Nipple
8	150309	2	#10-16 x 1/2" Hex Head TEK Crimptite Screw
9	390125	1	Gas Valve Flat Pipe Bracket
10	140026	1	3/4" 24 VAC Redundant (natural gas) Gas Valve
	882098	1	3/4" 24 VAC Redundant (liquid propane [L.P.] gas) Gas Valve
	140411	1	24 VAC Gas Valve Liquid Propane (L.P.) Conversion Kit
11	150415	2	#10-16 x 1/2" Hex Head TEK Crimptite Screw
12	331291	1	Gas Valve Pipe Bracket
13	141219	1	3-Port Manifold
14*	140862	3	#7 Burner Orifice (natural gas) ONLY
	140818	3	#31 Burner Orifice (liquid propane [L.P.] gas) ONLY
15	150309	2	#10-16 x 1/2" Hex Head TEK Crimptite Screw
16	141123	3	Gas Burner Tube
17	150309	2	#10-16 x 1/2" Hex Head TEK Crimptite Screw
18	390124	1	Burner Tube Support ONLY
19	150309	2	#10-16 x 1/2" Hex Head TEK Crimptite Screw
20	150309	6	#10-16 x 1/2" Hex Head TEK Crimptite Screw
21	821456	1	Sail Switch (refer to <b>Sail Switch Assembly</b> on <b>page 22</b> )
22	331289	1	Burner Box Cover Plate ONLY
23	150309	2	#10-16 x 1/2" Hex Head TEK Crimptite Screw
24	128914	1	Ignitor/Flame-Probe Assembly
25	150001	2	#6-32 x 1/2" Phillips Round Head Machine Screw
26	151000	2	#6-32 Pal Nut
27	130201	1	330° Manual Reset Hi-Limit ONLY
28	319703	1	Hi-Limit Bracket
29*	882677	1	Natural Gas Burner Assembly Complete (includes illus. nos. 1 through 31) For Models Mfd. with Natural Gas ONLY
	882678	1	Liquid Propane (L.P.) Gas Burner Assembly Complete (includes illus. nos. 1 through 31) For Models Mfd. with Liquid Propane (L.P.) Gas ONLY
	859374	1	Burner Box ONLY
30	335031	1	Ignition Module Mounting Bracket/Manifold Rest
31	128935	1	Direct Spark Ignition (DSI) Module (Johnson Control)

\* Consult factory for elevations over 2,000 feet.

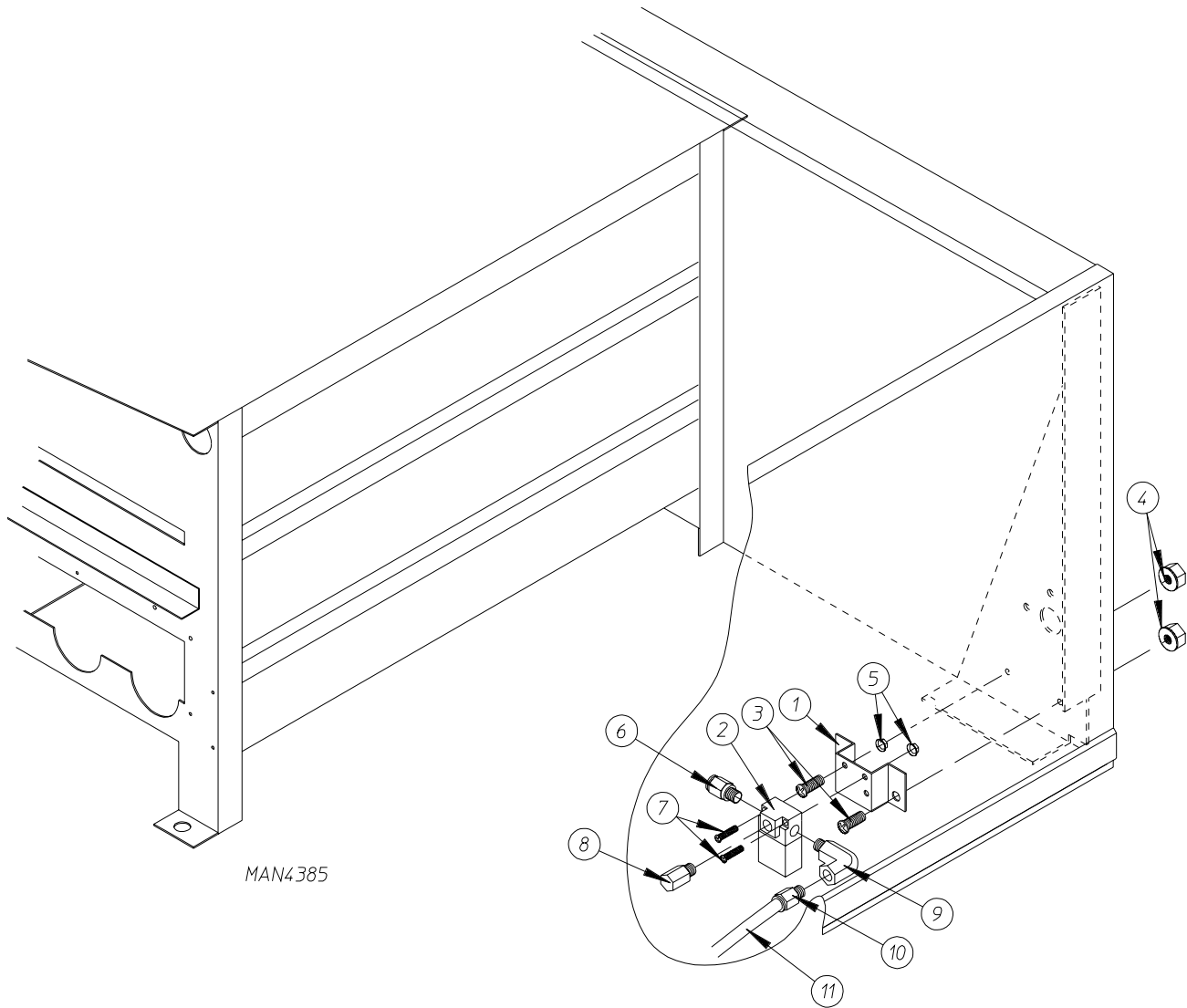


MAN4386

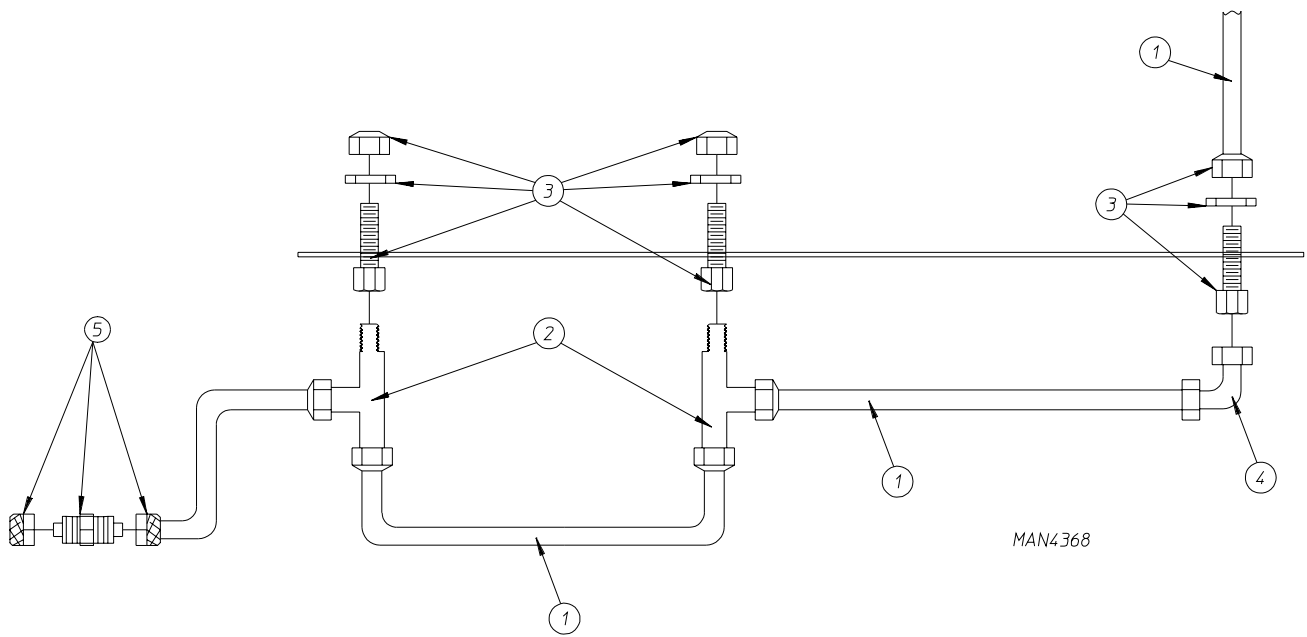
<u>Illus. No.</u>	<u>Part No.</u>	<u>Qty.</u>	<u>Description</u>
1	882319	1	Coop Cone (white)
	882328	1	Coop Cone (wrinkle coral blue)
2	100617	1	Motorized Impellor (fan) - 208 Volt 60 Hz ONLY
	100622	1	Motorized Impellor (fan) - 230 Volt 60 Hz ONLY
	100619	1	Motorized Impellor (fan) - 230/400 Volt 50 Hz, 460/480 Volt 60 Hz ONLY
	859363	1	Motorized Impellor (fan) Assembly Complete - 208 Volt 60 Hz (includes illus. nos. 1, 2, 3, and 6)
	859361	1	Motorized Impellor (fan) Assembly Complete - 230 Volt 60 Hz (includes illus. nos. 1, 2, 3, and 6)
	816086	1	Motorized Impellor (fan) Assembly Complete - 230/400 Volt 50 Hz, 460/480 Volt 60 Hz (includes illus. nos. 1, 2, 3, and 6)
3	882323	1	Motor Plate (white)
	882326	1	Motor Plate (wrinkle coral blue)
4	150511	4	1/4-20 x 1" Hex Head Machine Bolt
5	150512	4	1/4-20 x 1/2" Hex Head Machine Bolt
6	154335	8	M10 x 16 Metric Bolt



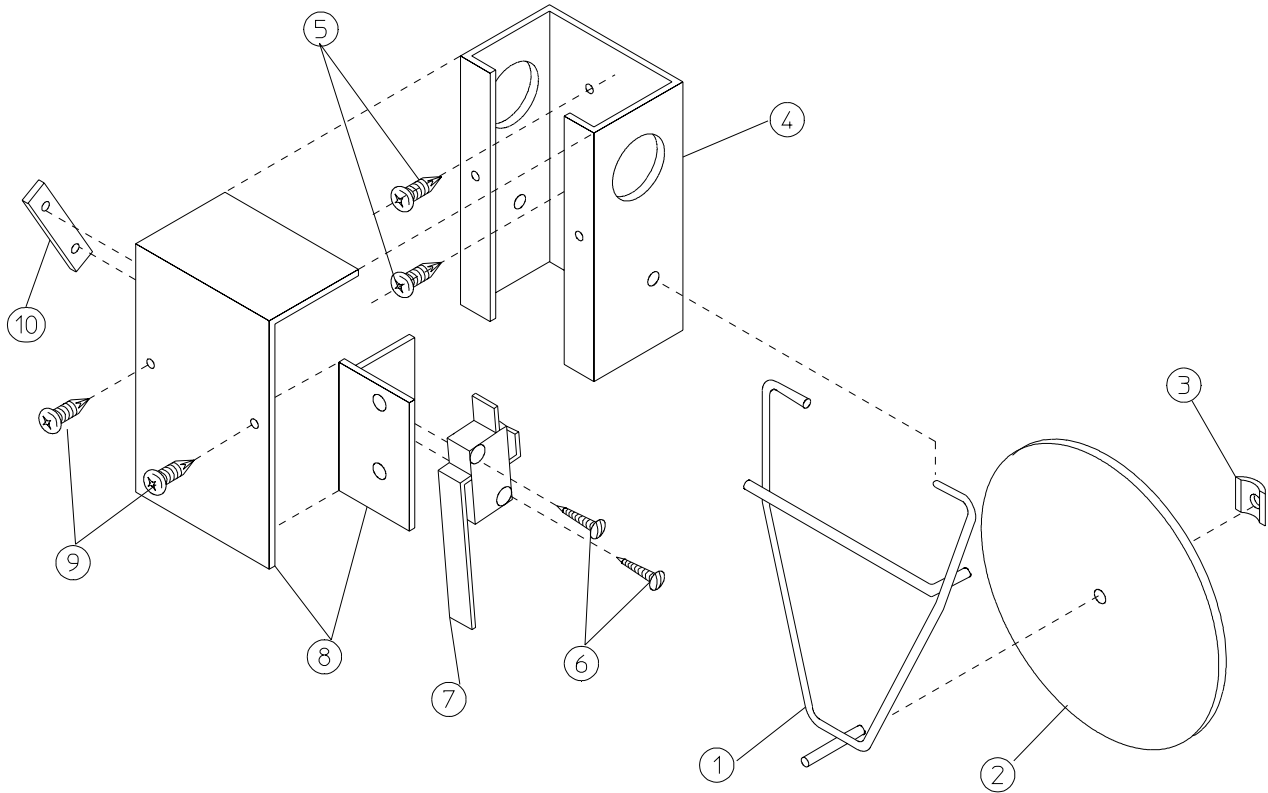
<u>Illus. No.</u>	<u>Part No.</u>	<u>Qty.</u>	<u>Description</u>
1	150008	2	#6-32 x 1-1/4" Phillips Round Head Machine Screw
2	120701	1	4-Position Terminal Block
3	859356	1	208 Volt Reversing Relay Panel Assembly Complete (includes illus. nos. 1 through 15)
	323743	1	Reversing Relay Panel ONLY
4	151000	1	#6-32 Pal Nut
5	152004	1	5/16-18 Hex Nut
6	153002	1	5/16" Lock Washer
7	121012	1	Ground Lug
8	137060	1	Arc Suppressor (A.S.) Board
9	137013	4	Nylon Standoff
10	136057	2	1/2-Amp (slo blo) Fuse
11	150301	4	#8-18 x 7/16" Phillips Pan Head TEK Screw
12	136008	2	Fuse Holder ONLY
13	132455	1	1 HP 3 $\phi$ Contactor
14	132448	1	Reversing Contactor
15	132070	1	208-240 Volt Transformer
	881763	1	Transformer Terminal Kit



<u>Illus. No.</u>	<u>Part No.</u>	<u>Qty.</u>	<u>Description</u>
1	330987	1	Micro Valve Bracket
2	836002	1	Air Jet Solenoid
3	150111	2	1/4-20 x 1/2" Phillips Round Head Machine Screw
4	152014	2	1/4-20 Free Spin Wash Nut
5	151000	2	#6-32 Pal Nut
6	100472	1	1/4" x 1/8" Male Connector
7	150002	2	#6-32 x 1" Phillips Round Head Machine Screw
8	100520	1	1/8" N.P.T. Silencer (muffler)
9	143268	1	1/8" x 90° Brass Straight Elbow
10	100472	1	1/4" x 1/8" Male Connector
11	143115	4	1/4" Poly-Flo Tubing (sold by the foot)



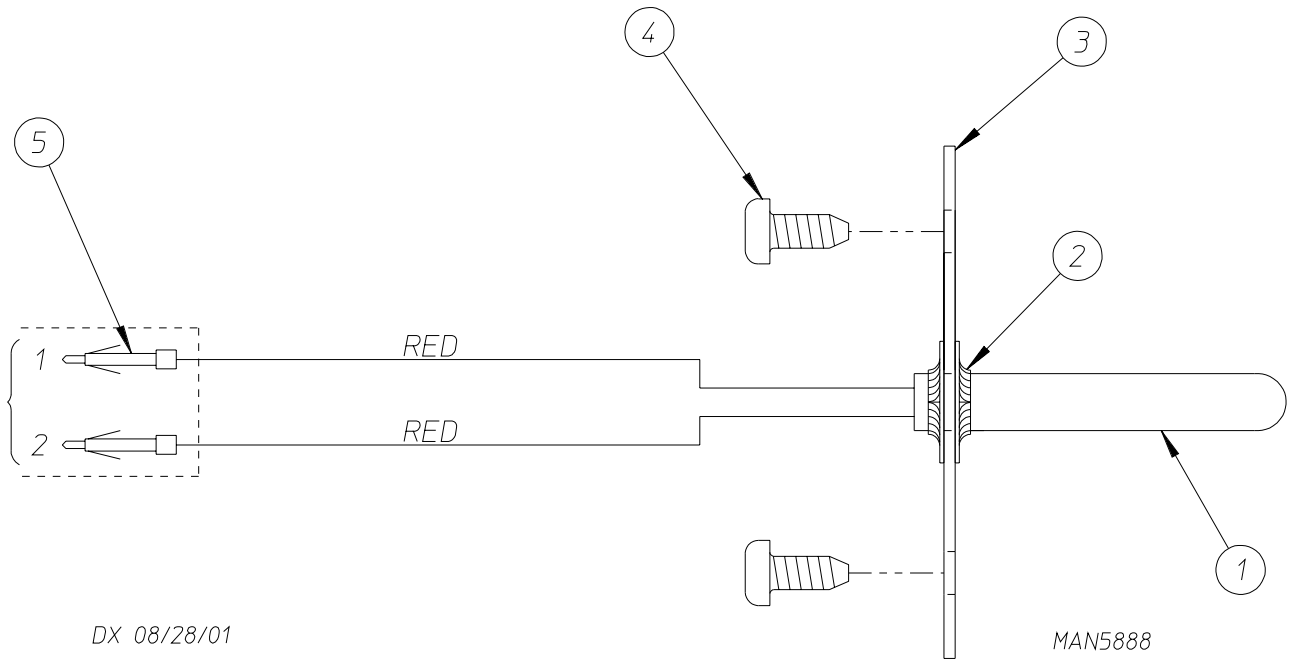
<u>Illus. No.</u>	<u>Part No.</u>	<u>Qty.</u>	<u>Description</u>
1	143100	6	1/4" Aluminum Tubing (sold by the foot)
2	143287	2	1/4" x 1/8" M.P.T. Male Run Tee
3	143259	3	1/4" x 1/8" F.P.T. Bulkhead Fitting
4	143115	4	1/4" Poly-Flo Tubing (sold by the foot)
5	143154	1	1/4" Poly Union



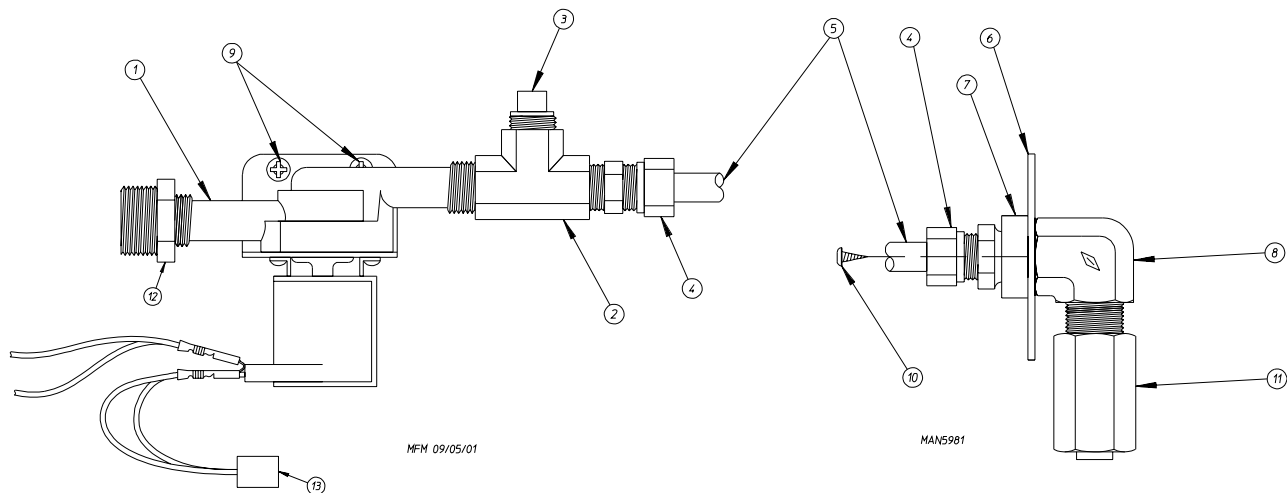
MAN0440

<u>Illus. No.</u>	<u>Part No.</u>	<u>Qty.</u>	<u>Description</u>
1	105500	1	Sail Switch Actuator Rod
2	319202	1	Sail Switch Damper (flat)
3	154002	1	1/8" Push On Fastener
4	802800	1	Sail Switch Box with Cover and Bracket ONLY
	802801	1	Sail Switch Box Assembly Complete (includes illus. nos. 1 through 4 and 6 through 10)
5	150309	2	#10-16 x 1/2" Hex Head TEK Crimptite Screw
6	150303	2	#44 x 3/4" Pan Head "A" Machine Screw
7	122200	1	Sail Switch ONLY
8	802799	1	Sail Switch Box Cover and Bracket ONLY
9	150309	2	#10-16 x 1/2" Hex Head TEK Crimptite Screw
10	154004	1	Twin Speed Nut



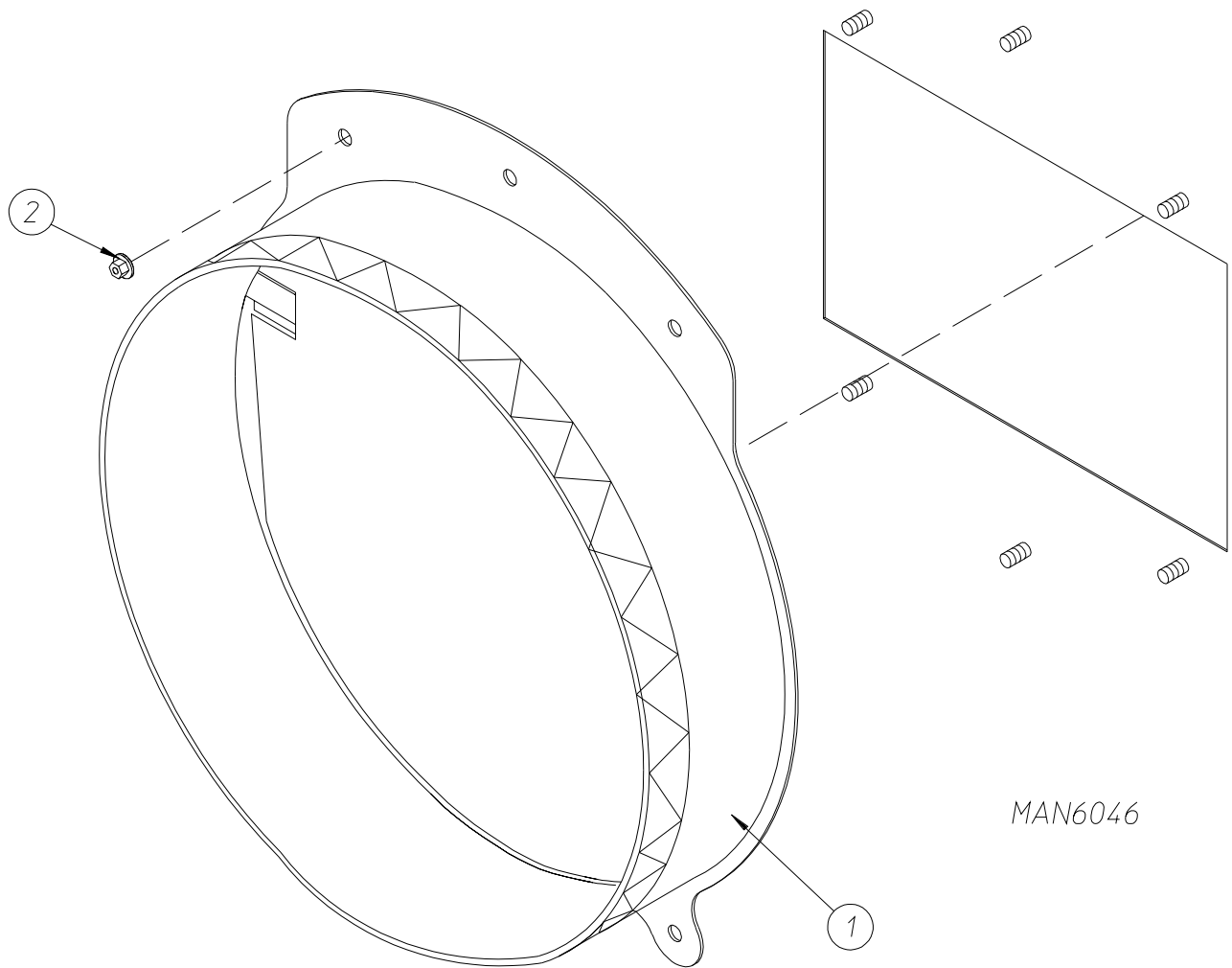


<u>Illus. No.</u>	<u>Part No.</u>	<u>Qty.</u>	<u>Description</u>
1	822752	1	Fire Suppression System (F.S.S.) Temperature Probe Assembly (includes illus. nos. 1 through 5)
2	154007	2	Push On Fastener
3	390390	1	Sensor Bracket ONLY
4	150301	2	#8-18 Phillips Pan Head TEK Screw
5	122647	1	Connector ONLY
	122700	2	Pins



<u>Illus. No.</u>	<u>Part No.</u>	<u>Qty.</u>	<u>Description</u>
1	165114	1	Fire Suppression System (F.S.S.) Solenoid Valve 24V 50/60 Hz
2	143220	1	3/8" F.P.T. Brass Tee
3	143251	1	3/8" M.P.T. Brass Plug
4	143208	2	3/8" Comp x 3/8" M.P.T. Brass Connector
5	143099*	6'	3/8" OD x 0.035 Wall Copper Tubing
6	311588	1	Sprinkler Head Mounting Plate
7	143303	1	3/8" N.P.T. Brass Locknut
8	143155	1	3/8" Brass Elbow 90°
9	150430	2	#10 x 1/2" Self Drilling Screw
10	150301	2	#8-18 x 7/16" TEK Screw
11	143581	1	3 GPM 3/8" F.P.T. Spray Nozzle
12	142888	1	1/2" to 3/8" Bushing for Fire Suppression System (F.S.S.) Valve
13	824828	1	Arc Suppressor

\* Sold by the foot.



DMG 1/2/02

---

<u>Illus. No.</u>	<u>Part No.</u>	<u>Qty.</u>	<u>Description</u>
1	883281	1	Adapter Collar with Back Draft Damper
2	152014	5	1/4-20 Free Spin Wash Nut

---

