



D-78

Parts Manual

J.L.A.
Meadowcroft Lane, Halifax Road
Ripponden W. Yorkshire, England
HX6 4AJ
Telephone: 1 422 822282 / Fax: 1 422 824390

Retain This Manual In A Safe Place For Future Reference

This product embodies advanced concepts in engineering, design, and safety. If this product is properly maintained, it will provide many years of safe, efficient, and trouble-free operation.

ONLY qualified technicians should service this equipment.

OBSERVE ALL SAFETY PRECAUTIONS displayed on the equipment or specified in the installation manual included with the dryer.

The following “**FOR YOUR SAFETY**” caution **must be** posted near the dryer in a prominent location.

FOR YOUR SAFETY

Do not store or use gasoline or other flammable vapors and liquids in the vicinity of this or any other appliance.

POUR VOTRE SÉCURITÉ

Ne pas entreposer ni utiliser d'essence ni d'autres vapeurs ou liquides inflammables à proximité de cet appareil ou de tout autre appareil.

We have tried to make this manual as complete as possible and hope you will find it useful. The manufacturer reserves the right to make changes from time to time, without notice or obligation, in prices, specifications, colors, and material, and to change or discontinue models.

Important

For your convenience, log the following information:

DATE OF PURCHASE _____ **MODEL NO.** **D-78**

DISTRIBUTOR'S NAME _____

Serial Number(s) _____

Replacement parts can be obtained from your distributor or **J.L.A.** When ordering replacement parts from the factory, you can FAX your order to **J.L.A.** at 1 422-824390 or telephone your order directly to the **J.L.A.** Parts Department at 1 422-822282. Please specify the dryer **model number** and **serial number** in addition to the **description** and **part number**, so that your order is processed accurately and promptly.

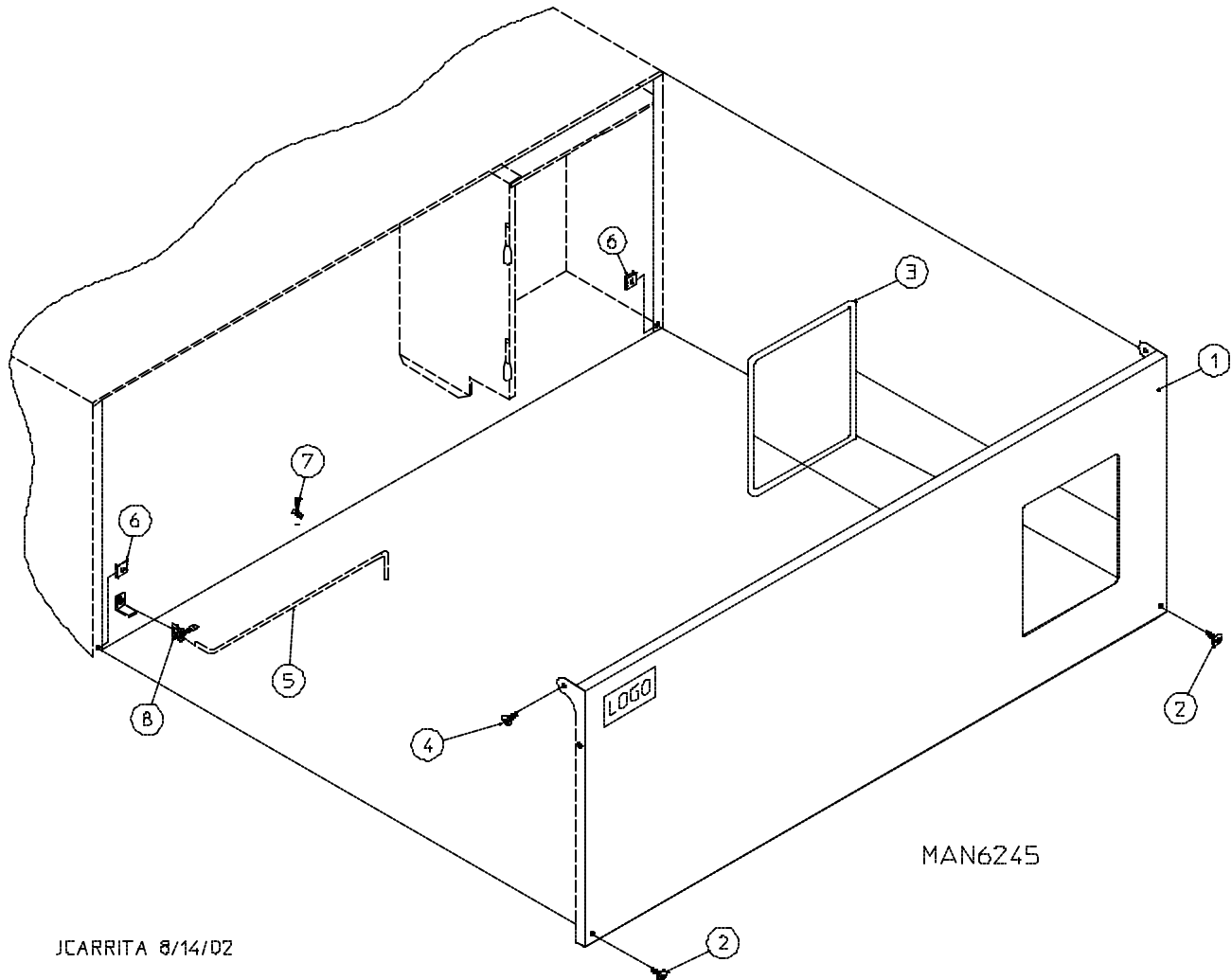
The illustrations on the following pages may not depict your particular dryer exactly. The illustrations are a composite of the various dryer models. Be sure to check the descriptions of the parts thoroughly before ordering.

“IMPORTANT NOTE TO PURCHASER”

Information **must be** obtained from your local gas supplier on the instructions to be followed if the user smells gas. These instructions **must be** posted in a prominent location near the dryer.

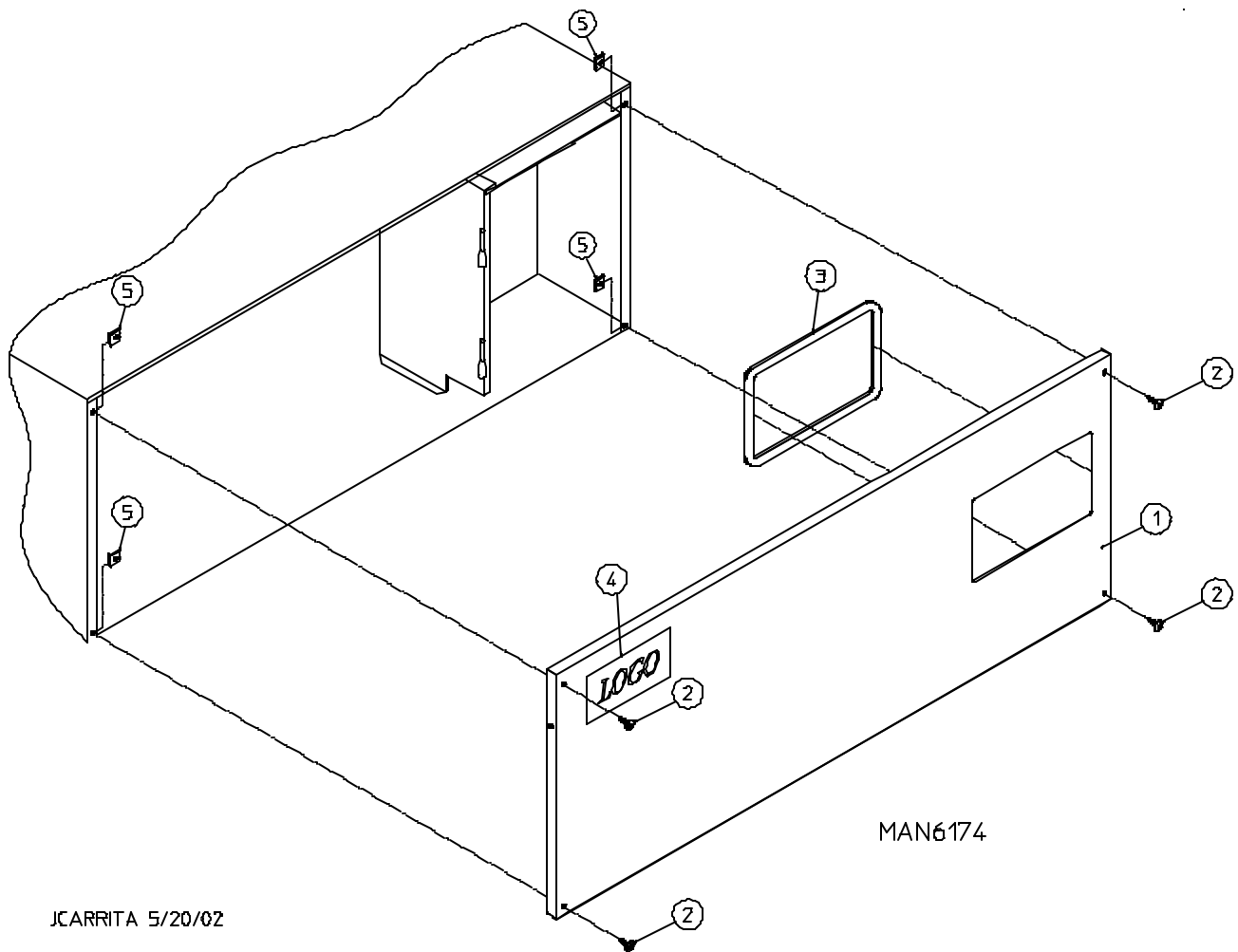
Table of Contents

Control Door Assembly	
For models mfd. as of July 1, 2002	2
Control Door Assembly	
For models mfd. prior to July 1, 2002	3
Phase 7 OPL Microprocessor Control Panel Assembly	4
Front Panel Assembly	5
Main Door Assembly (Round Door)	6
Main Door Switch Assembly	7
Sensor Bracket Assembly	8
Lint Trap Assembly	9
Drop Lint Door Assembly	10
Basket (Tumbler) Support Assembly	11
Idler Bearing Assembly	12, 13
Basket (Tumbler) Bearing Assembly	14, 15
Rear Electric Relay Panel Assembly	16
Reversing Electric Relay Panel Assembly	17
Non-Reversing Motor Mount Assembly	18, 19
Reversing T.E.F.C. Motor Mount Assembly	20, 21
Direct Spark Ignition (DSI) Burner Assembly	
For models mfd. as of July 1, 2002	22, 23
Hot Surface Ignition (HSI) Burner Assembly	
For models mfd. prior to July 1, 2002	24, 25
Sail Switch Assembly	26
S.A.F.E. Temperature Probe Assembly	27
S.A.F.E. Solenoid and Piping Assembly	28
Back Guard Assemblies	29
Additional Parts Available	30



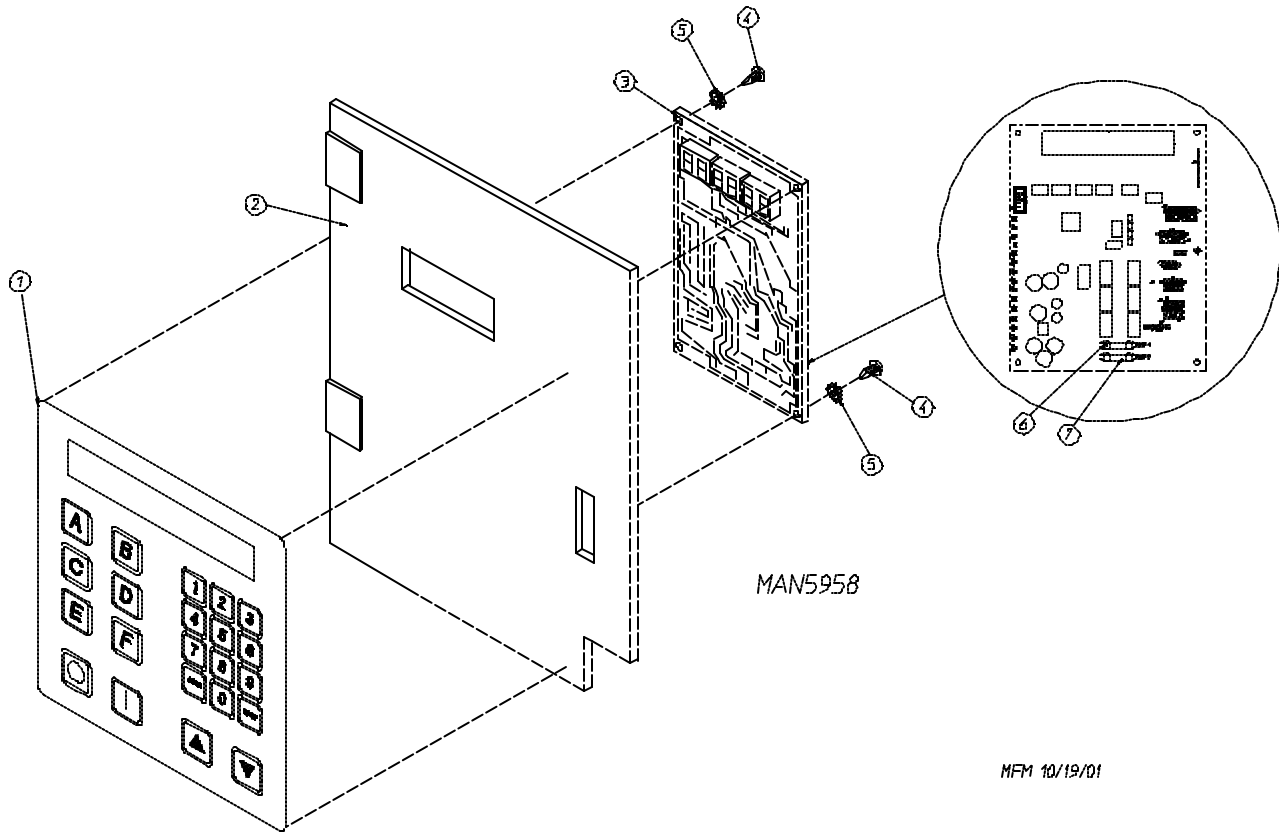
<u>Illus. No.</u>	<u>Part No.</u>	<u>Qty.</u>	<u>Description</u>
1	883474	1	White Control Door Assembly (includes illus. nos. 1 and 3)
2	150314	2	#10-32 x 1/2" TORX Screw
3	117604	4	1/8" x 3/8" Noise Tape (sold by the foot)
4	150317	2	#10-16 x 3/4" TORX Plus BTN
5	102502	1	Control Door Support Rod
6	154011	4	#10-32 Multi-Thread U-Nut
7	102603	1	Control Door Support Rod Catch
8	102601	1	Control Door Rod Retainer Clip

For models mfd. prior to July 1, 2002

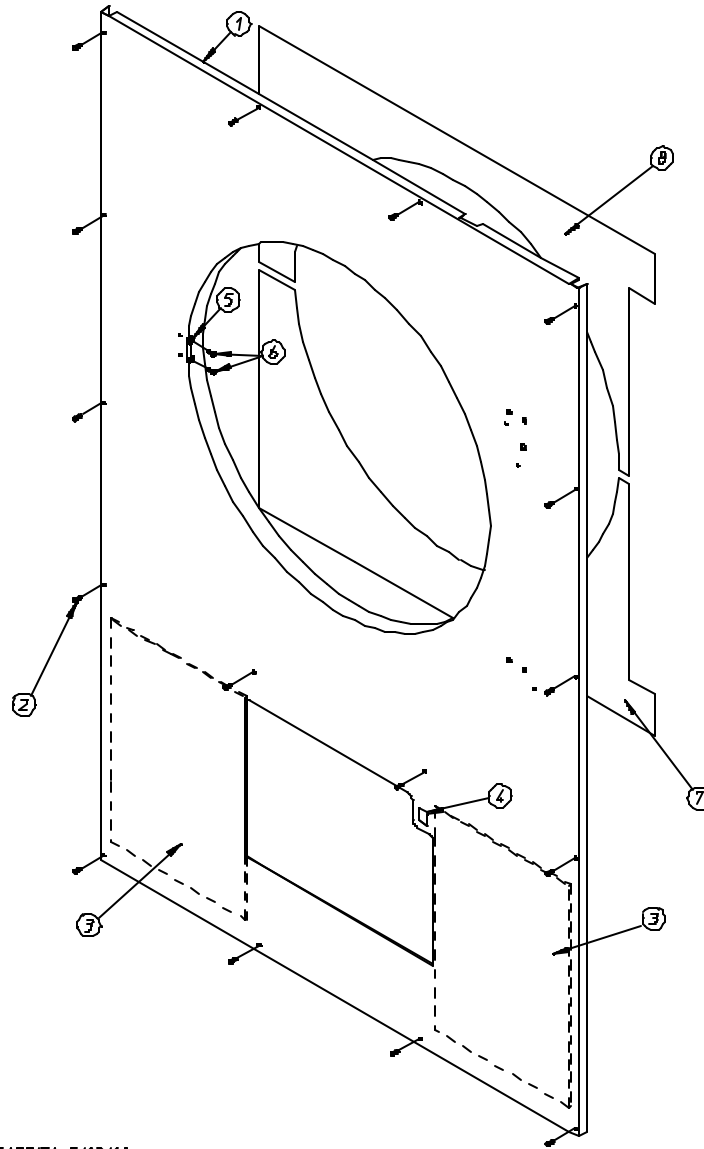


<u>Illus. No.</u>	<u>Part No.</u>	<u>Qty.</u>	<u>Description</u>
1	883336	1	White Control Door Assembly (includes illus. nos. 1 and 3)
2	150314	4	#10-32 x 1/2" TORX Plus
3	117604	2	Noise Suppressor Tape (sold by the foot)
4	-----*	1	Logo
5	154011	4	#10-32 Multi-Thread U-Nut

* Contact reseller for logo.



<u>Illus. No.</u>	<u>Part No.</u>	<u>Qty.</u>	<u>Description</u>
1	112571	1	Phase 7 OPL Keyboard (touch pad)
2	850984	1	Phase 7 Microprocessor Controller (computer) Panel ONLY
	883301	1	Phase 7 OPL Reversing Microprocessor Controller (computer) Control Panel Assembly Complete (includes illus. nos. 1 through 7)
3	883277	1	Phase 7 OPL Microprocessor Controller (computer) ONLY
4	150005	2	#6-32 x 3/4" Phillips Round Head Machine Screw
5	153010	2	#6 Star Washer
6	136016	1	5-Amp Fuse
7	136097	1	500 mA Fuse



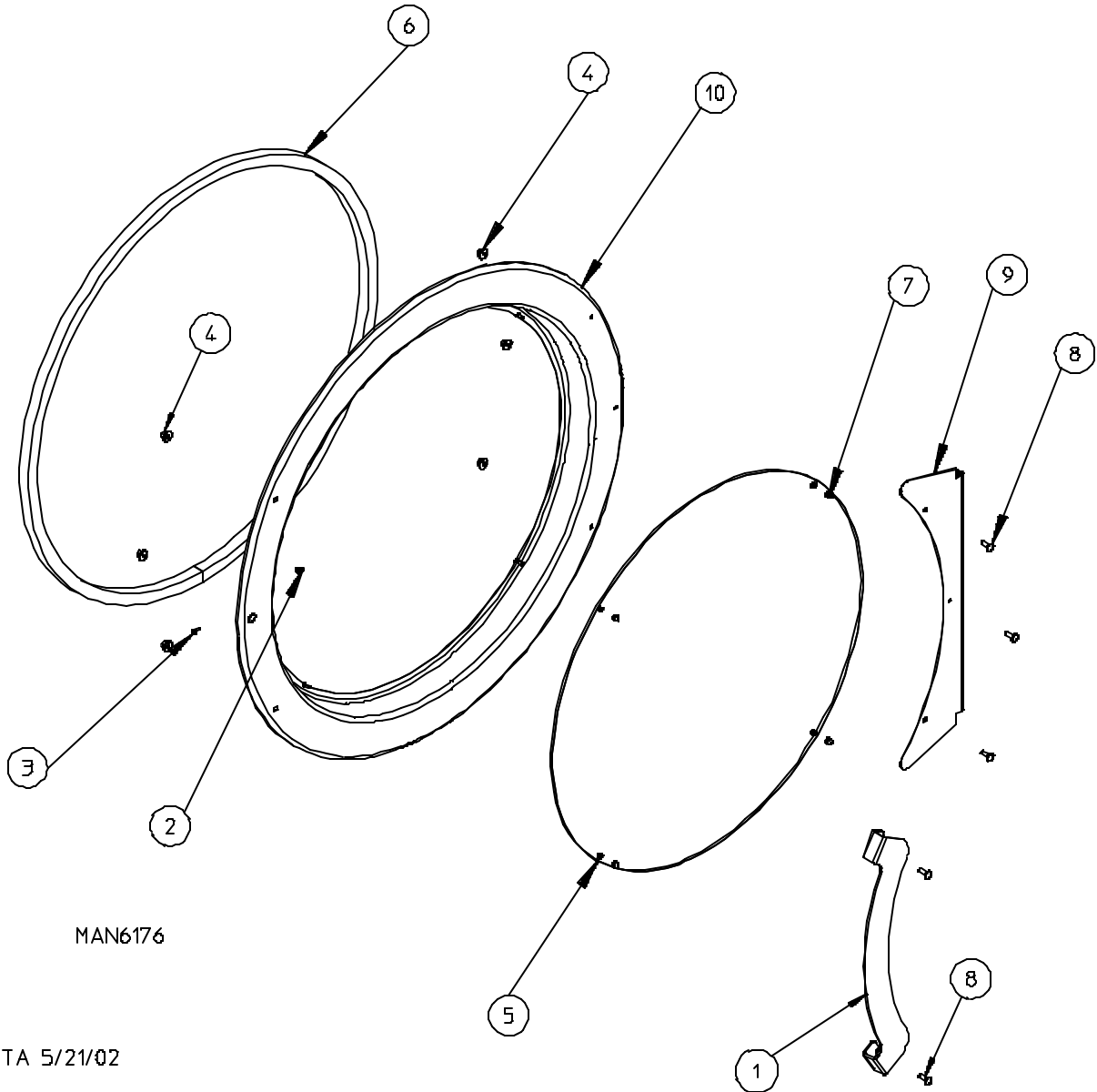
JCARBITA 5/23/02

MAN6177

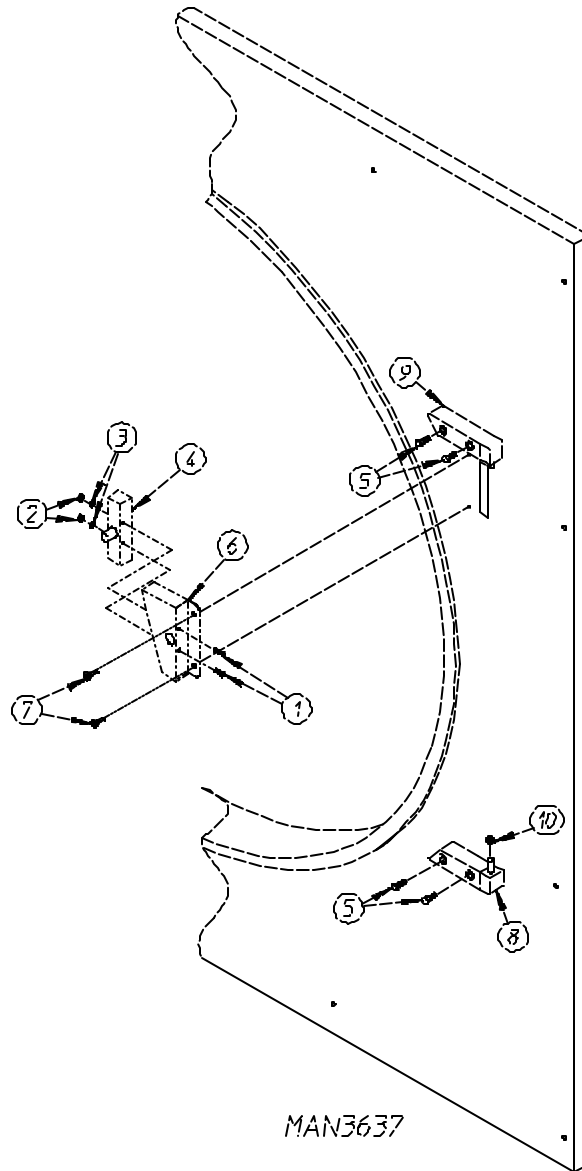
<u>Illus. No.</u>	<u>Part No.</u>	<u>Qty.</u>	<u>Description</u>
1	883246*	1	Right Hand Front Panel Assembly (includes illus. nos. 1, 3, 5, and 6)
2	150313	11	#10-16 x 1/2" TORX Plus BTN Type 1
	150318	**	25 IP Stick-Fit TORX Plus Bit
3	116147	2	13 x 18-1/2" Rear Lower Wall Insulation
4	122002	1	Lint Drawer Switch
5	881987	1	Friction Door Latch Kit (includes illus. nos. 5 and 6)
6	154215	2	5/32" Pop Rivet
7	116320	1	Top Front Panel Insulation
8	116321	1	Bottom Front Panel Insulation

* Specify color when ordering.

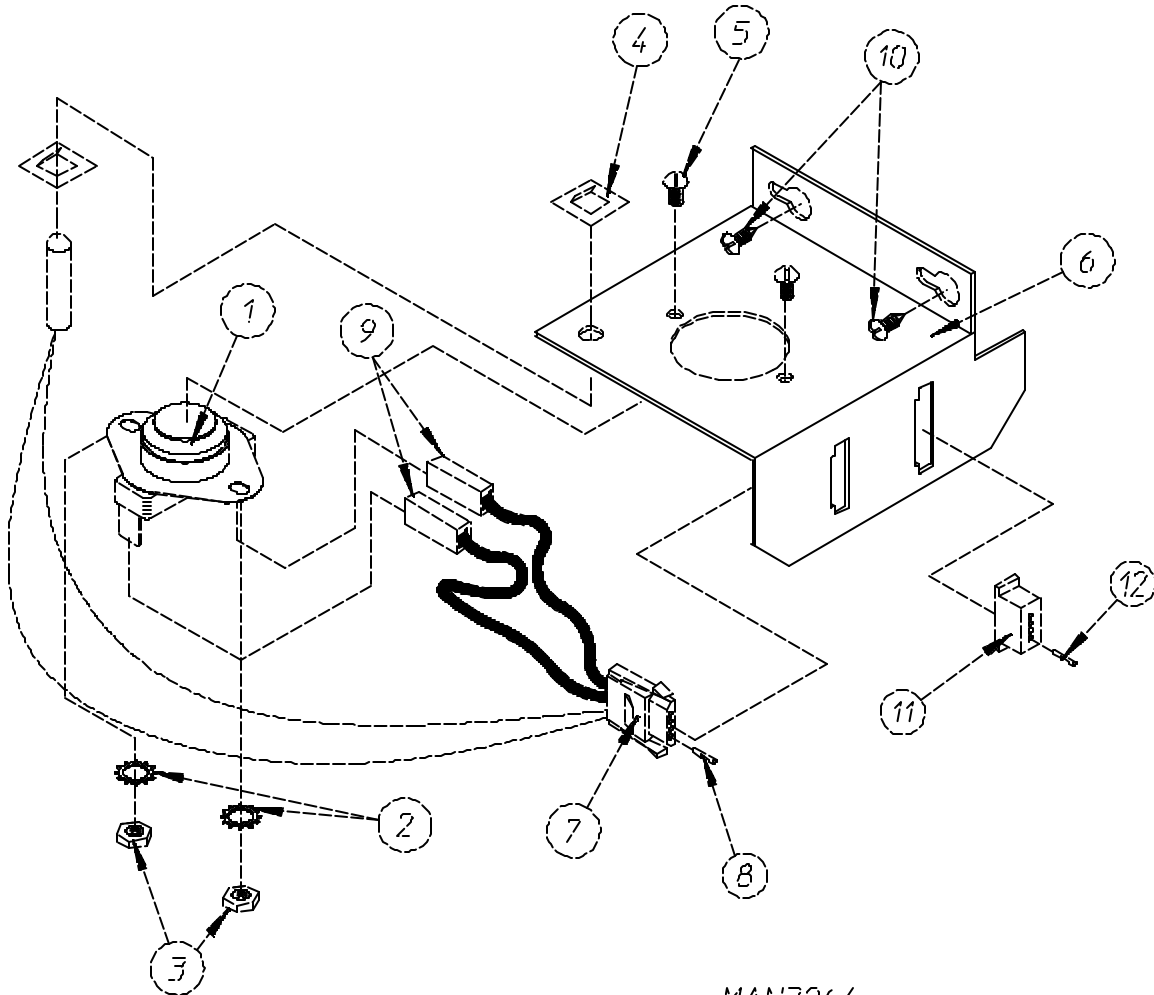
** As needed.



<u>Illus. No.</u>	<u>Part No.</u>	<u>Qty.</u>	<u>Description</u>
1	883252	1	Large Cold Rolled Steel (CRS) Black Main Door Handle
2	151010	1	#10-32 Black Hex Acorn Lock Nut
3	150120	1	#10-32 Door Latch Screw
4	152014	6	1/4-20 Free Spin Wash Nut
5	102214	1	30" Door Glass
6	102357	1	Large Steel Door Gasket
7	151013	4	#10-32 Black Acorn Nut
8	150683	6	1/4-20 x 5/8" Carriage Bolt
9	883251	1	Large Black Main Door Hinge
10	883249	1	Black Main Door Assembly Complete
	883250	1	Large 37-1/4" Black Door Ring ONLY

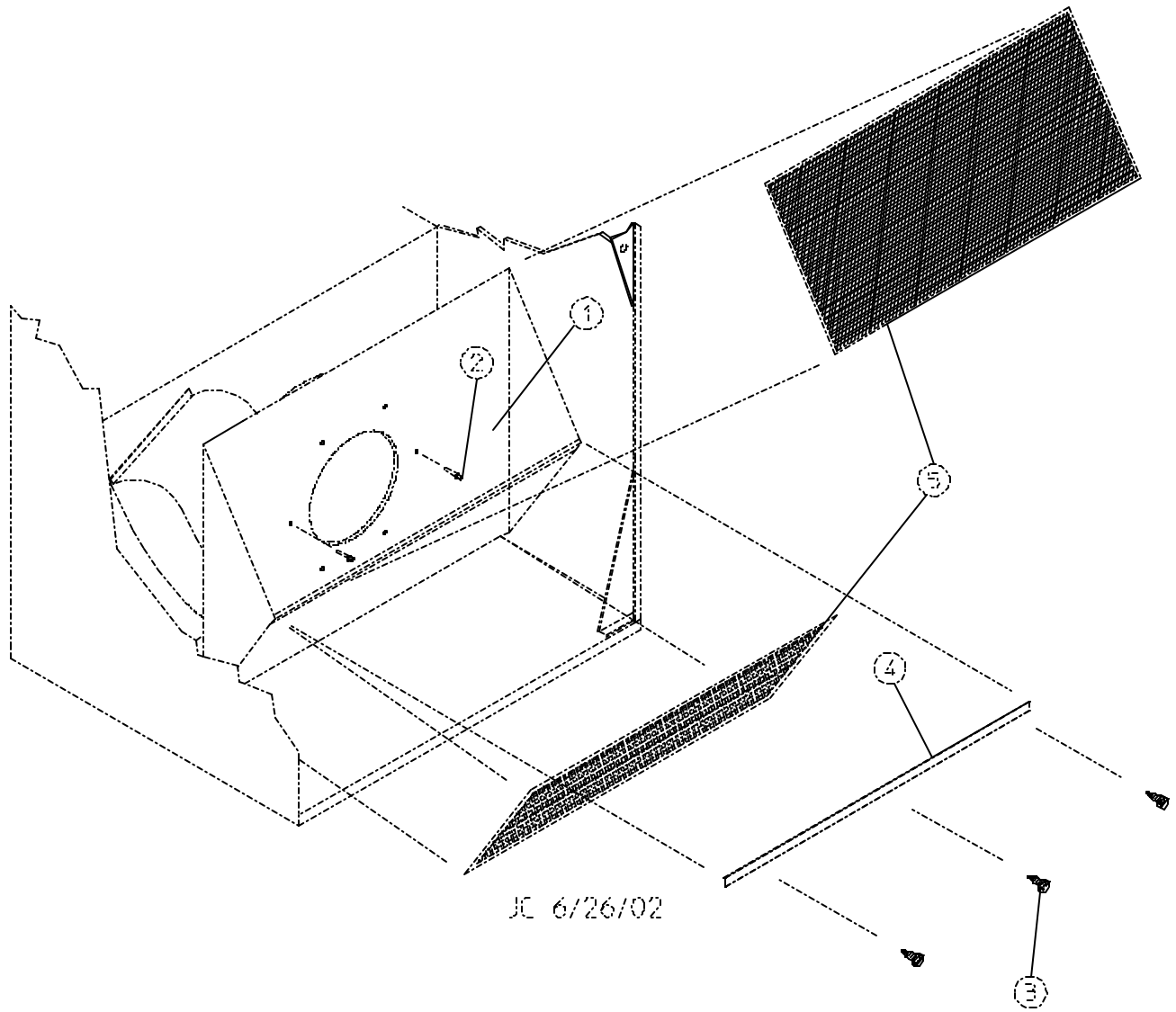


<u>Illus. No.</u>	<u>Part No.</u>	<u>Qty.</u>	<u>Description</u>
1	150006	2	#6-32 x 7/8" Phillips Pan Head Machine Screw
2	152013	2	#6-32 Hex Nut
3	153010	2	#6 Star Washer
4	137005	1	Single-Pole Door Switch (SDS)
5	150445	4	1/4-20 x 3/4" Black Cap Screw
6	882866	1	Main Door Switch Housing ONLY
	883338	1	Main Door Switch with Housing Assembly (includes illus. nos. 1 through 4 and 6)
7	150301	2	#8-18 x 7/16" Phillips Pan Head TEK Screw
8	881151	1	Bottom Hinge Block (includes illus. nos. 5, 8, and 10)
9	881152	1	Top Hinge Block (includes illus. nos. 5 and 9)
10	153031	1	Nylon Washer



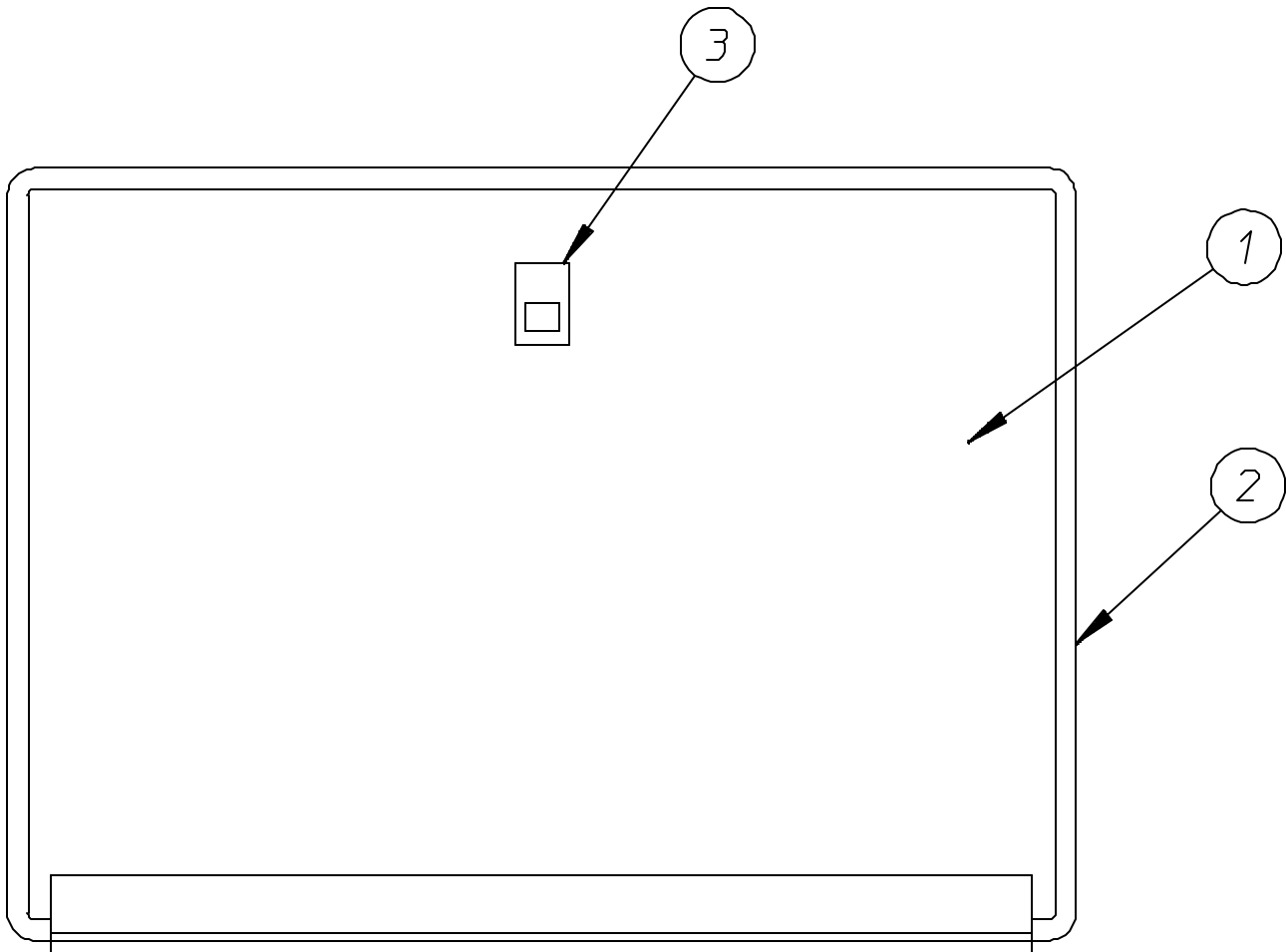
MAN3964

<u>Illus. No.</u>	<u>Part No.</u>	<u>Qty.</u>	<u>Description</u>
1	130103	1	225° F Large Automatic Thermostat ONLY
2	153010	2	#6 Star Washer
3	152000	2	#6-32 Hex Nut
4	154007	2	1/4" Tinnerman Push On Fastener
5	150005	2	#6-32 x 1/4" Phillips Round Head Machine Screw
6	881912	1	Temperature Sensor Bracket Complete (includes illus. nos. 1 through 9)
7	880251	1	1/4" Temperature Sensor Probe Assembly (includes illus. nos. 7 through 9)
	122605	1	4-Pin Socket Connector
8	122701	4	Socket Terminal ONLY
9	121028	2	Insulated Terminal ONLY
10	150301	2	#8-18 x 7/16" Phillips Pan Head TEK Screw
11	122604	1	4-Pin Connector ONLY
12	122700	4	Pin Terminal ONLY
	122801	1	Pin/Socket Extraction Tool (for removal of illus. nos. 8 and 12)



MAN6192

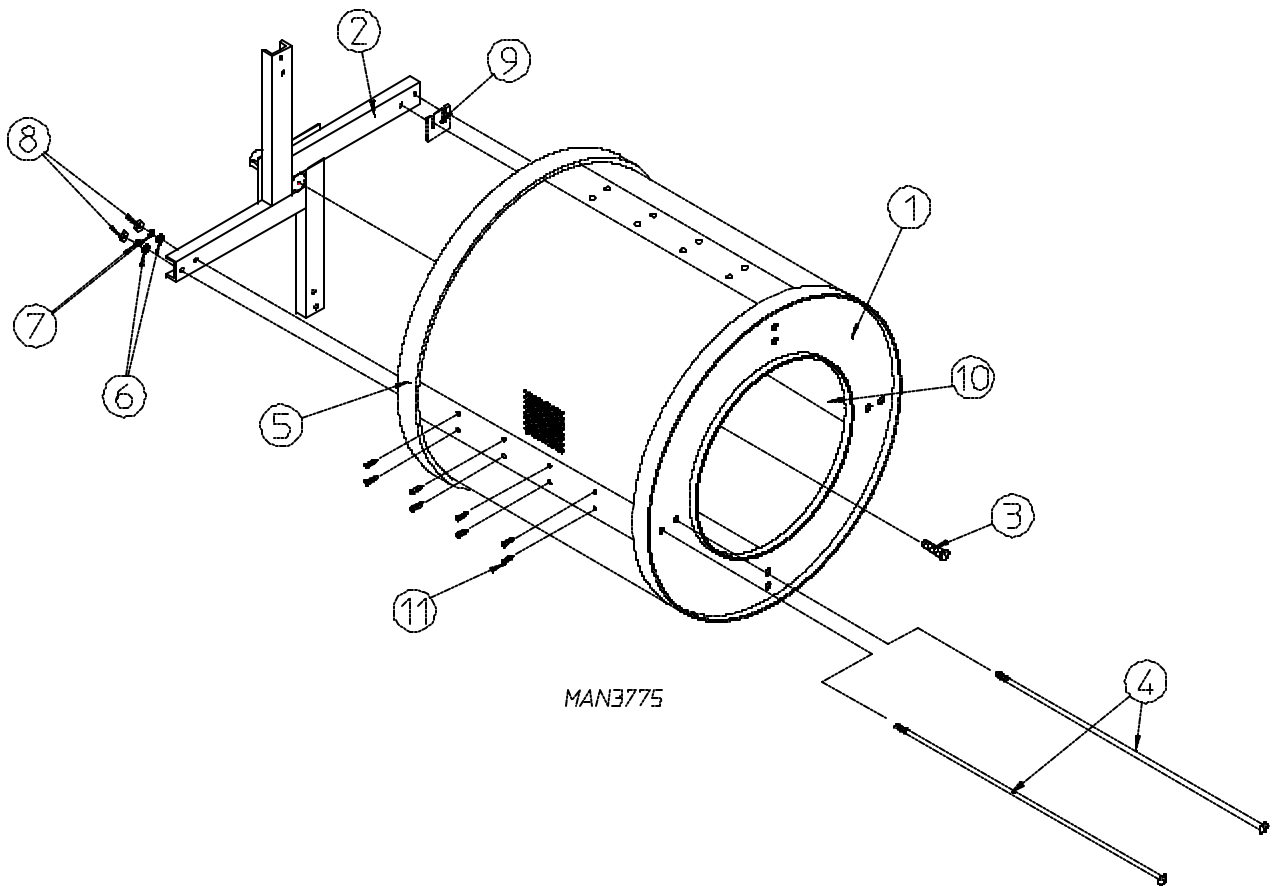
<u>Illus. No.</u>	<u>Part No.</u>	<u>Qty.</u>	<u>Description</u>
1	881904	1	Lint Coupe Assembly Complete (includes illus. nos. 1 and 3 through 5)
	801767	1	Lint Coupe ONLY
2	154200	7	5/32" Pop Rivet
3	150300	3	#10-16 x 1/2" Hex Washer TEK Screw
4	304100	1	Lint Screen Hold Down
5	800500	2	Lint Screen



ST 12/11/01

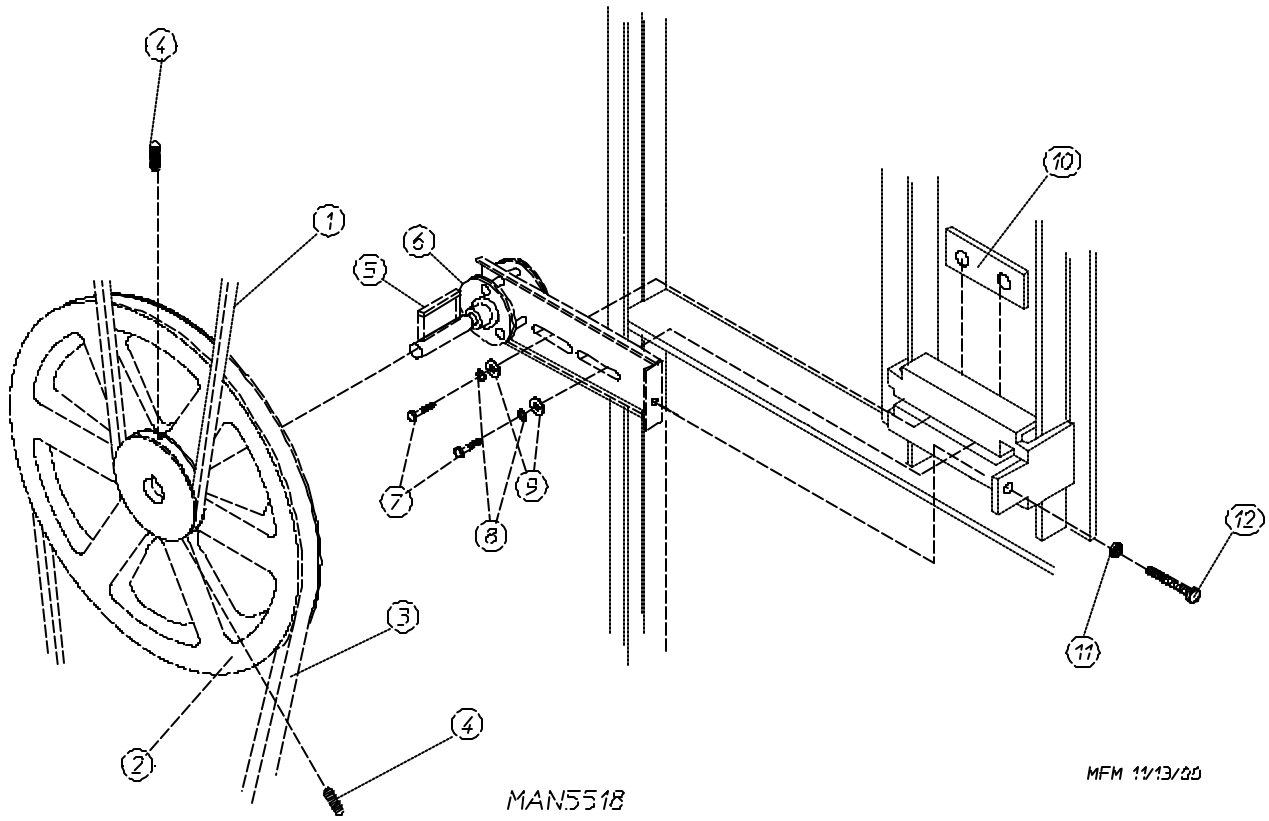
MAN6030

<u>Illus. No.</u>	<u>Part No.</u>	<u>Qty.</u>	<u>Description</u>
1	883339	1	White Drop Lint Door
2	117604	5	1/8" x 3/8" Neoprene Sponge Tape
3	170226	1	Slide Latch

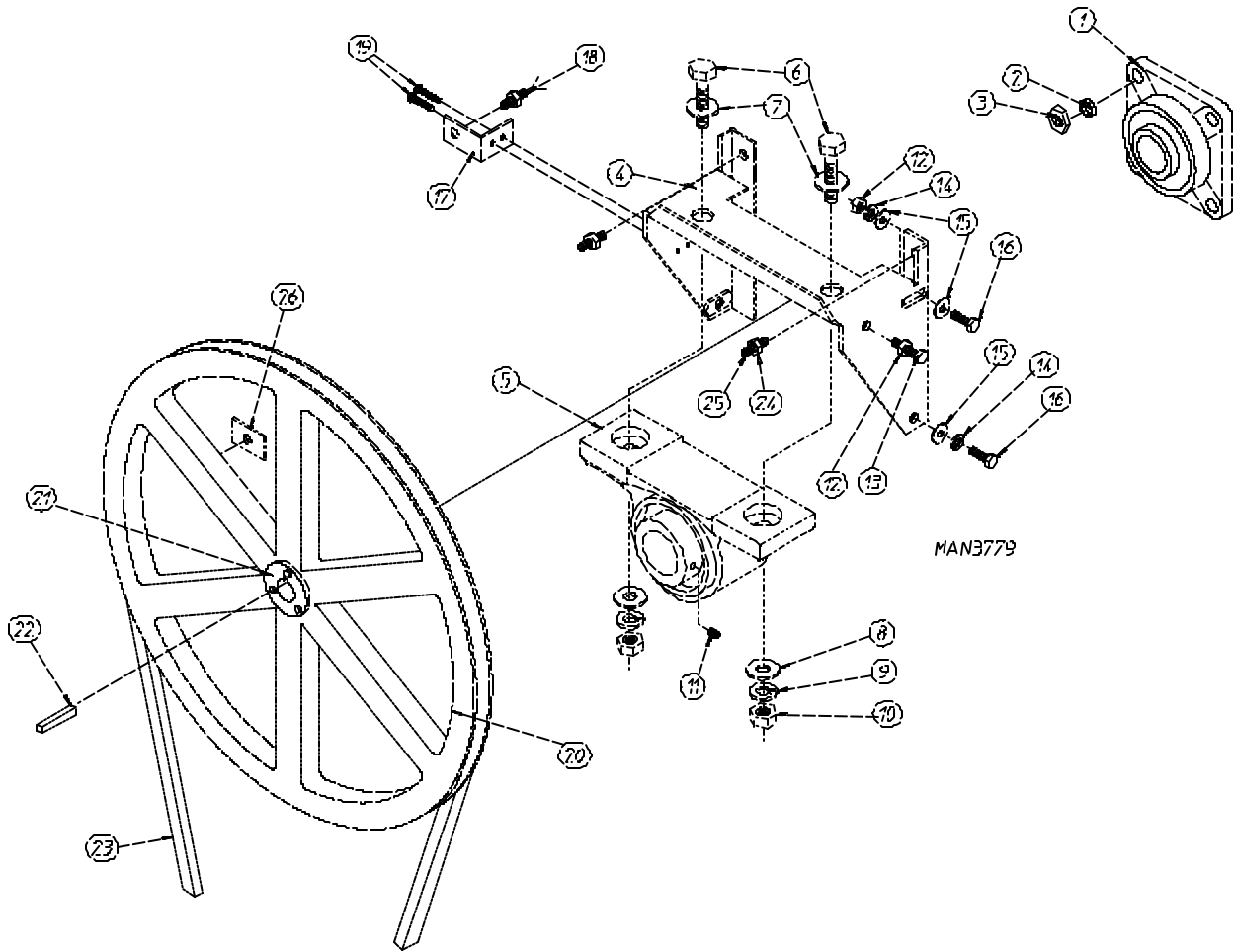


<u>Illus. No.</u>	<u>Part No.</u>	<u>Qty.</u>	<u>Description</u>
1	883366	1	Basket (tumbler) and Support Assembly
	801747	1	Basket (tumbler) ONLY without Felt Collar
2	801774	1	Basket (tumbler) Support ONLY
3	150500	1	5/16-18 x 3/4" Socket Button Head Screw
4	100912	8	1/2-13 x 25-3/8" Tie Rod
5	116006	1	Felt Collar
	401010	1	Felt Collar Adhesive
6	153011	8	1/2" Flat Washer
7	153026	8	1/2" Lock Washer
8	152011	8	1/2-13 Hex Nut
9	301701	*	Basket (tumbler) Shims
10	314697	4	Basket (tumbler) Ribs
11	150413	32	#10-16 x 1/2" TORX Crimp-tite Screws

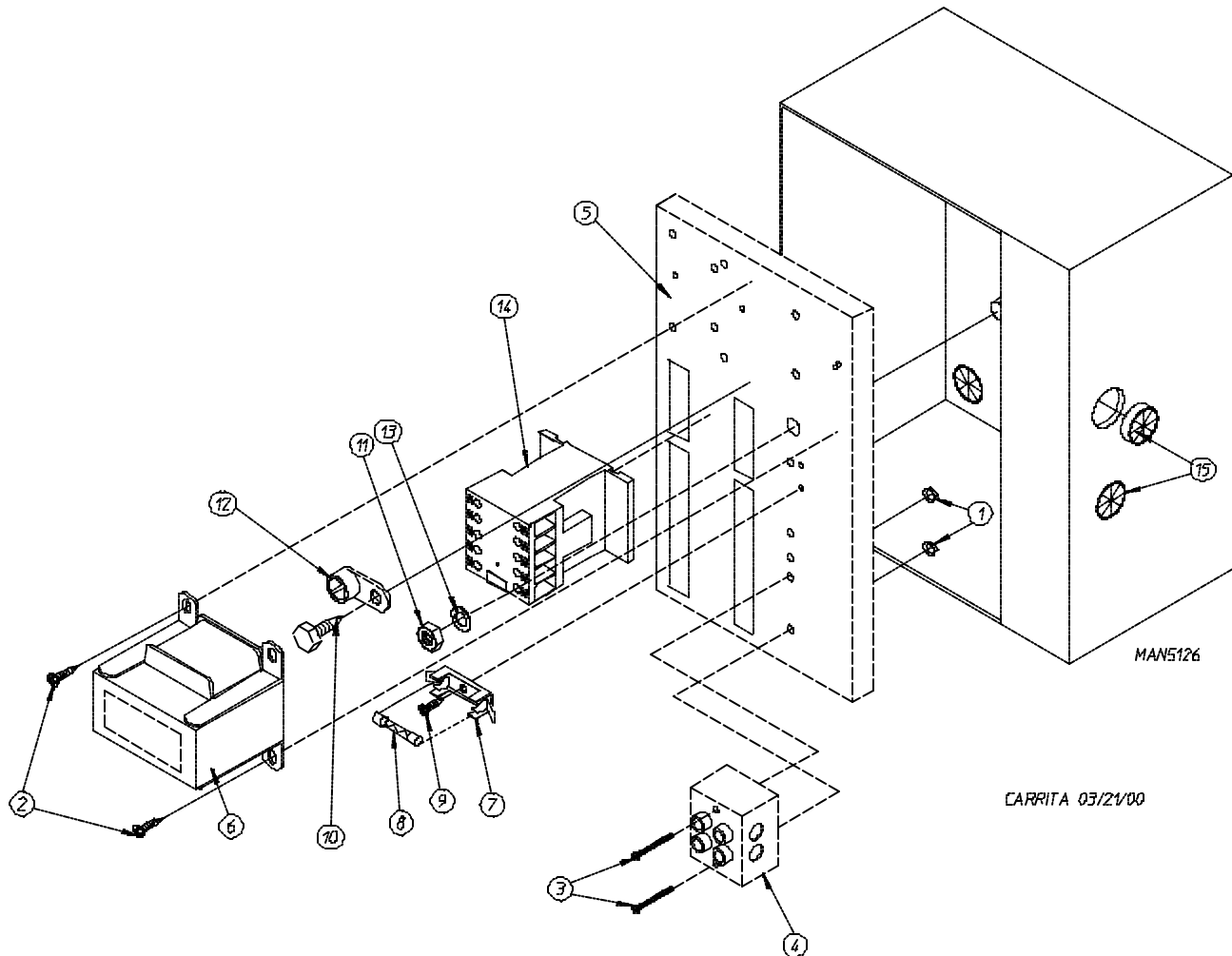
* As required.



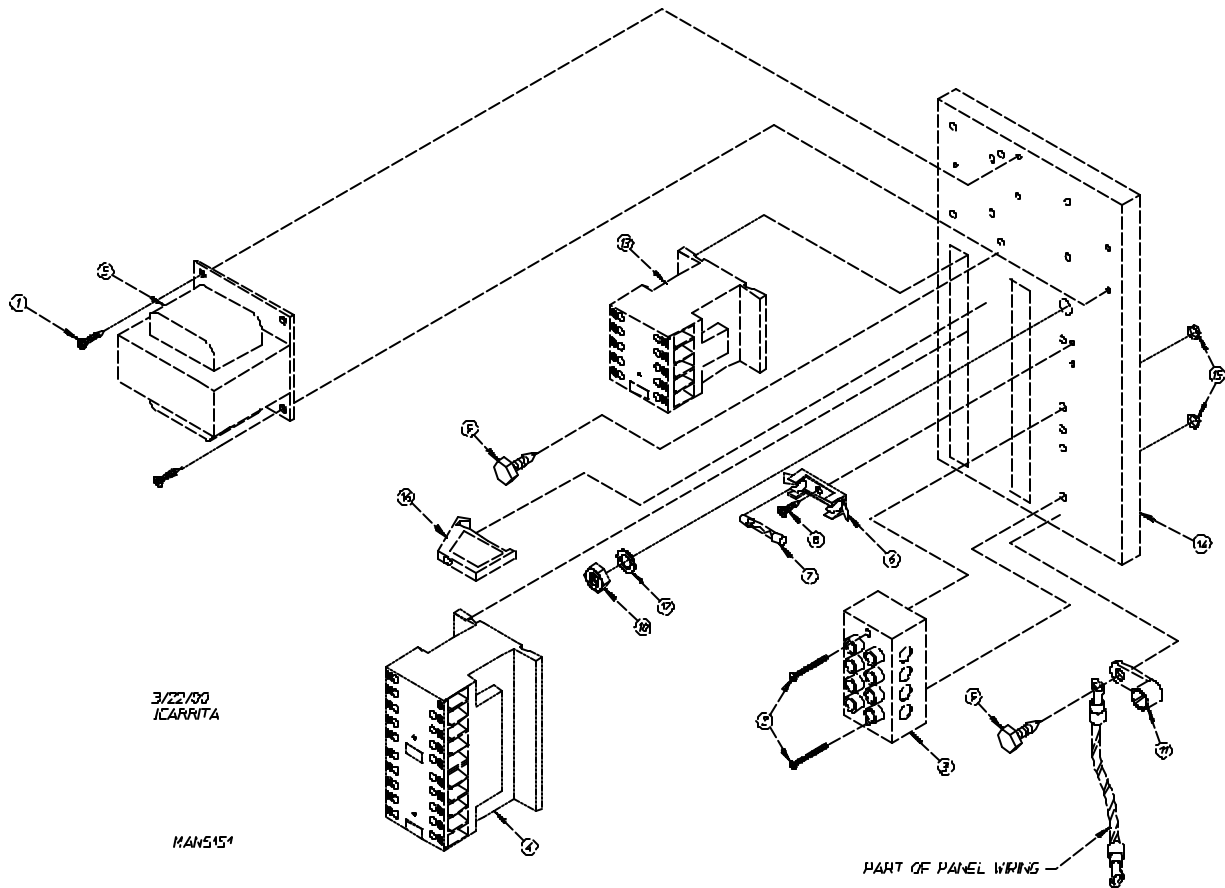
<u>Illus. No.</u>	<u>Part No.</u>	<u>Qty.</u>	<u>Description</u>
1	100185	1	5L-780 V-Belt
2	101140	1	14" x 3" Compound Pulley
3	100178	1	4L-570 V-Belt (idler to motor)
4	154301	2	5/16-18 x 1" Allen Setscrew
5	100705	1	3/16" x 3/16" x 1-3/8" Key
6	883473	1	Idler Bearing Assembly Complete (includes illus. nos. 5 through 12)
7	150617	2	3/8-16 x 1" Hex Head Machine Bolt
8	153005	2	3/8" Lock Washer
9	153004	2	3/8" Flat Washer
10	801009	1	Idler Square Washer
11	152005	1	3/8-16 Hex Nut
12	150623	1	3/8-16 x 5" Hex Head Machine Bolt



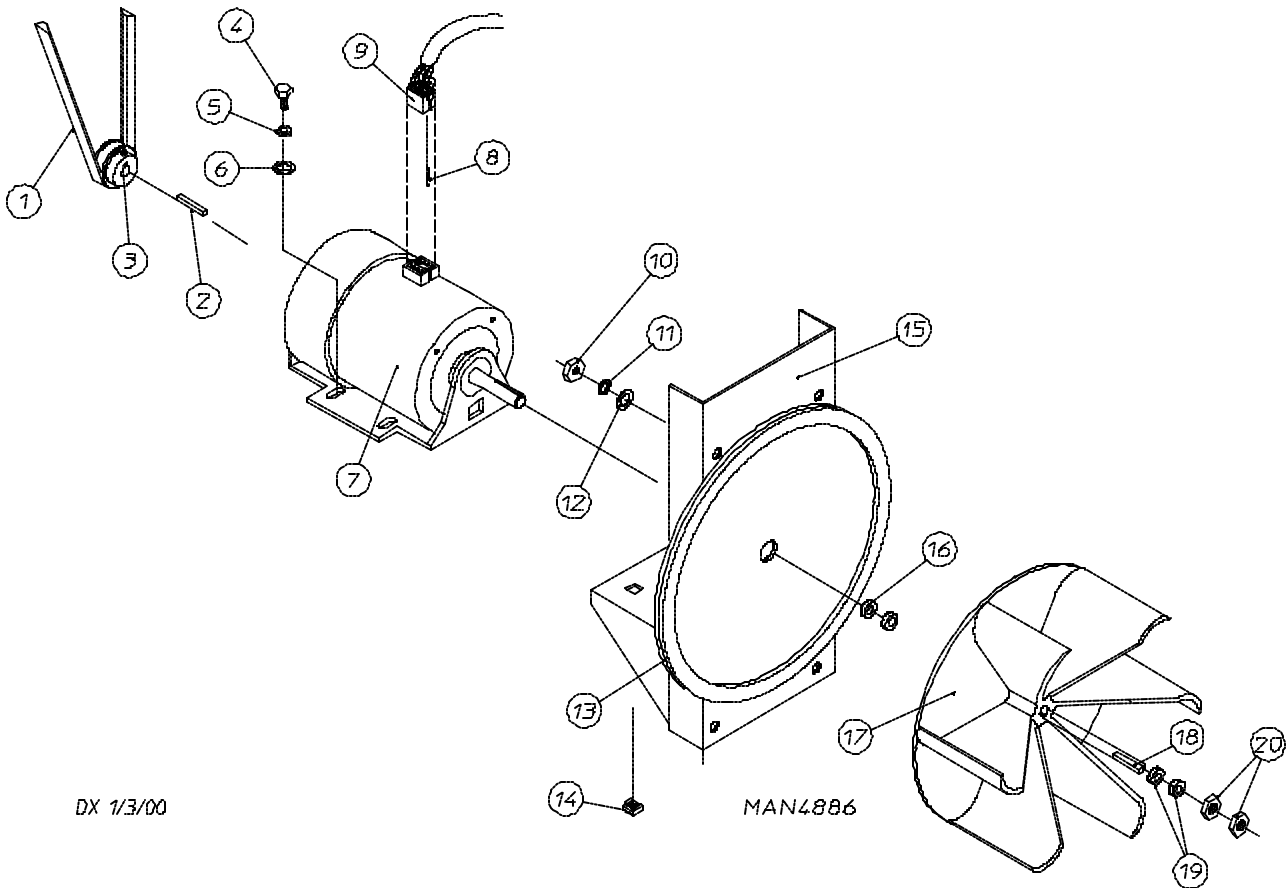
<u>Illus. No.</u>	<u>Part No.</u>	<u>Qty.</u>	<u>Description</u>
1	100244	1	1-15/16" Flange Bearing
2	153025	4	Lock Washer
3	152050	4	Hex Nut
4	801775	1	Pillow Block Bearing Assembly Complete (includes illus. nos. 4 through 13)
	801761	1	Pillow Block Bearing Housing ONLY
5	100245	1	1-15/16" Pillow Block Bearing
6	150633	2	1/2-13 x 2-1/4" Hex Head Bolt
7	153011	2	9/16" Flat Washer
8	153011	2	9/16" Flat Washer
9	153026	2	1/2" Lock Washer
10	152011	2	1/2-13 Hex Nut
11	154322	2	3/8-24 x 7/16" Setscrew
12	152004	2	5/16-18 Hex Nut
13	150621	2	5/16-18 x 1-1/2" Allen Setscrew
14	153002	4	5/16" Lock Washer
15	153001	6	5/16" Flat Washer
16	150621	4	5/16-18 x 3/4" Hex Bolt
17	314746	1	Rotational Sensor Bracket
18	883386	1	Rotational Sensor Assembly
19	150413	2	#10-16 x 1/2" Phillips Hex Head TEK Crimptite
20	882111	1	18" Pulley with Rotation Sensor Magnet
21	101220	1	1-15/16" Taper Lock Bushing
22	100719	1	1/2" x 1/2" x 1-3/8" Key
23	100185	1	5L-780 V-Belt
24	152004	2	5/16-18 Hex Nut
25	150610	2	5/16-18 x 1-1/2" Allen Setscrew
26	102102	1	Rotational Sensor Magnet
	401010	1	Adhesive for Magnet



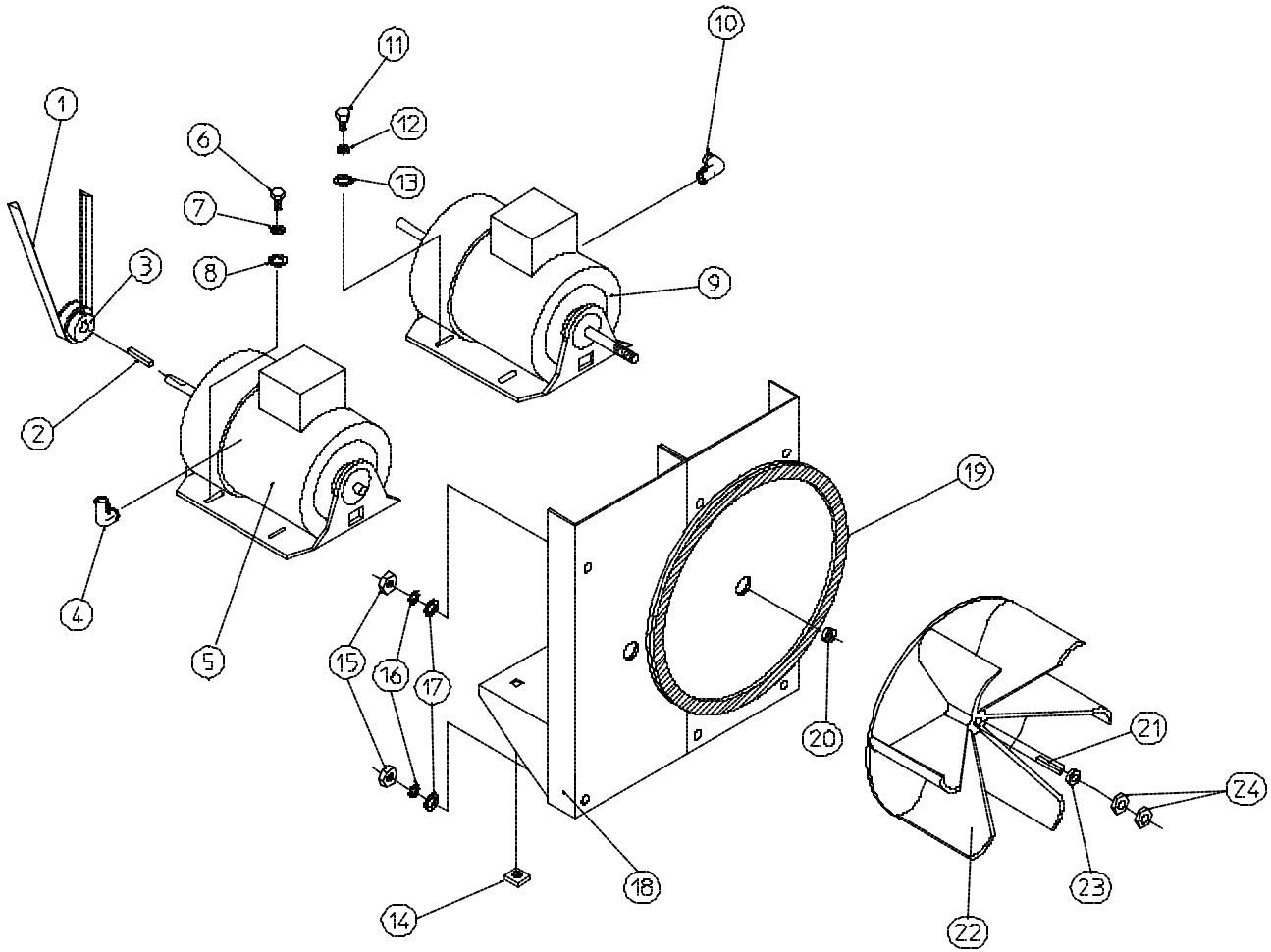
<u>Illus. No.</u>	<u>Part No.</u>	<u>Qty.</u>	<u>Description</u>
1	151000	2	#6-32 Pal Nut
2	150300	2	#10-16 x 1/2" Hex Washer TEK Screw
3	150008	2	#6-32 x 1-1/4" Phillips Pan Head Machine Screw
4	120716	1	2-Position Terminal Block
5	322812	1	Rear Electric Mounting Plate ONLY
	822798	1	Rear Electric Panel Assembly Complete - 230 Volt 1 ϕ (includes illus. nos. 1 through 14)
6	822799	1	Transformer Assembly - 230 Volt 1 ϕ
7	136008	2	Fuse Holder ONLY
8	136057	2	1/2-Amp (Slo-Blo) Fuse ONLY
9	150301	1	#8-18 x 7/16" Phillips Pan Head TEK Screw
10	150297	1	#10 x 1/2" Green Hex Washer TEK Screw
11	152004	1	5/16-18 Hex Nut
12	121010	1	L-70 Ground Lug
13	153002	1	5/16" Lock Washer
14	132495	1	3-Pole Contactor
15	121300	3	Open/Closed Bushing



<u>Illus. No.</u>	<u>Part No.</u>	<u>Qty.</u>	<u>Description</u>
1	150300	2	#10-16 x 1/2" Hex Washer TEK Screw
2	150008	2	#6-32 x 1-1/4" Phillips Pan Head Machine Screw
3	120701	1	4-Position Terminal Block
4	132497	1	3-Pole Reversing Contactor
5	822784	1	Transformer Assembly - 415 Volt 3 ϕ
6	136008	1	Fuse Holder
7	136057	1	1/2-Amp (Slo-Blo) Fuse ONLY
8	150301	3	#8-18 x 7/16" Phillips Pan Head TEK Screw
9	150297	1	#10 x 1/2" Green Hex Washer TEK Screw
10	152004	1	5/16-18 Hex Nut
11	121010	1	L-70 Ground Lug
12	153002	1	5/16" Lock Washer
13	132495	1	3-Pole Contactor
14	322812	1	Rear Electric Mounting Plate ONLY
	822783	1	Rear Electric Panel Assembly Complete - 415 Volt (includes illus. nos. 1 through 16)
15	151000	2	#6-32 Pal Nut
16	120765	1	Standard End Bracket



<u>Illus. No.</u>	<u>Part No.</u>	<u>Qty.</u>	<u>Description</u>
1	100178	1	4L-570 V-Belt (motor to idler)
2	100701	1	3/16" x 3/16" x 1" Key
3	101130	1	5/8" x 2-1/2" Motor Pulley (50 Hz Only)
4	150501	4	5/16-18 x 3/4" Hex Head Machine Bolt
5	153002	4	5/16" Lock Washer
6	153001	4	5/16" Flat Washer
7	181050	1	1 HP 200-240v 1Ø 50 Hz Motor with Plug (56Z frame)
8	122701	8	Socket Terminal
	122801	1	Pin/Socket Extraction Tool
9	137030	1	8-Pin Housing Connector
10	152004	4	5/16-18 Hex Nut
11	153002	4	5/16" Lock Washer
12	153001	4	5/16" Flat Washer
13	117600	4	Noise Suppressor Tape (sold by the foot)
14	154000	4	5/16-18 Tinnerman Nut
15	850018	1	Non-Reversing Motor Mount ONLY (56Z frame)
	801824	1	1 HP 200-240v 1Ø 50 Hz Motor Mount Assembly with Plug Complete (includes illus. nos. 2 through 7 and 13 through 20)
16	153051	1	3/4" S.A.E. Flat Washer
17	882670	1	16" Impellor with 3/4" Bore
18	100714	1	3/16" x 3/16" x 1-7/8" Key
19	153050	2	1/2" S.A.E. Flat Washer
20	152006	2	1/2-20 Left Hand Jam Nut



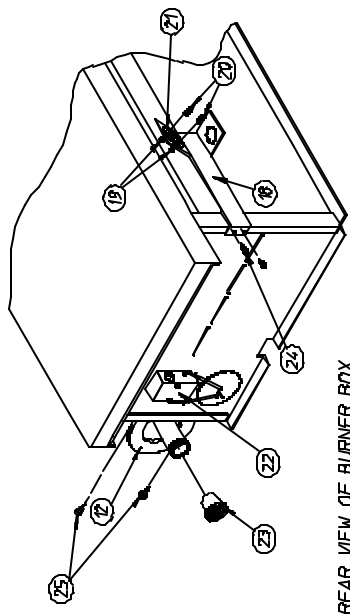
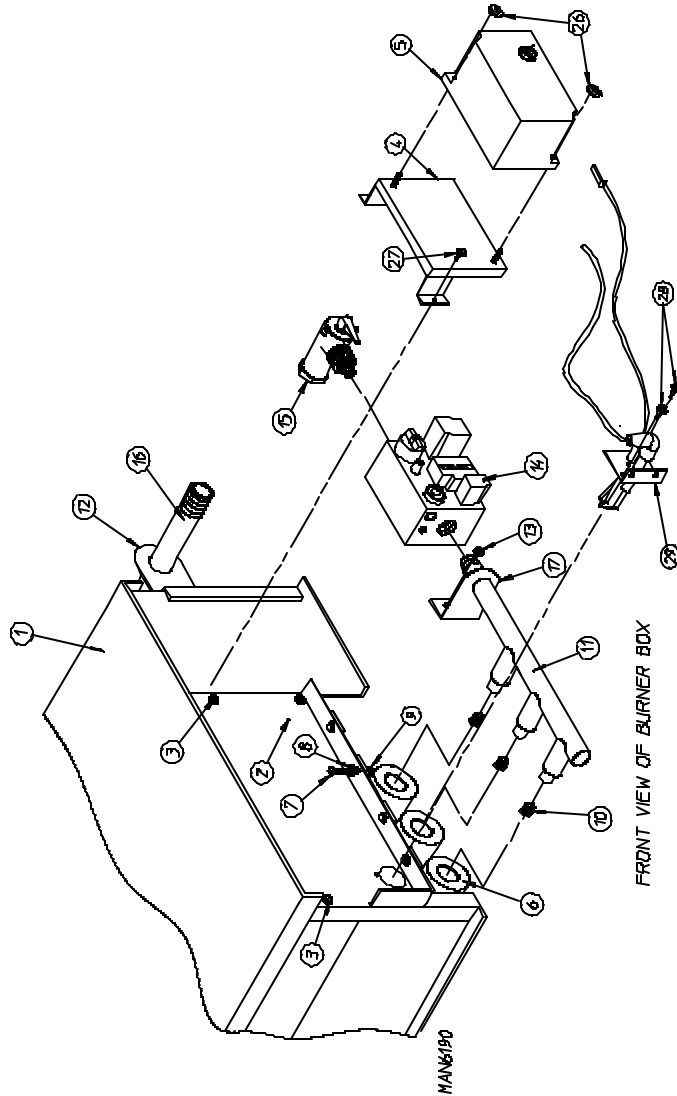
MAN0250

<u>Illus. No.</u>	<u>Part No.</u>	<u>Qty.</u>	<u>Description</u>
1	100178	1	4L-570 V-Belt (motor to idler)
2	100701	1	3/16" x 3/16" x 1" Key
3	101130	1	5/8" x 2-1/2" Motor Pulley (50 Hz Only)
4	120200	1	3/8" x 90° Connector
5*	181003	1	1/2 HP 208/230/380/460v 3Ø 50/60 Hz Totally Enclosed, Fan-Cooled (T.E.F.C.) 56Z Frame
6	150501	4	5/16-18 x 3/4" Hex Head Machine Bolt
7	153002	4	5/16" Lock Washer
8	153001	4	5/16" Flat Washer
9*	100075	1	1 HP 220/230/380/460v 3Ø 50/60 Hz Totally Enclosed, Fan-Cooled (T.E.F.C.) Motor with 3/4" Shaft (56Z frame)
10	120200	1	3/8" x 90° Connector
11	150501	4	5/16-18 x 3/4" Hex Head Machine Bolt
12	153002	4	5/16" Lock Washer
13	153001	4	5/16" Flat Washer
14	154000	8	5/16" Tinnerman Nut
15	152004	7	5/16" Hex Nut
16	153002	4	5/16" Lock Washer
17	153001	4	5/16" Flat Washer
18	850021	1	Reversing Motor Mount ONLY (56Z frame)
	804030	1	Reversing Totally Enclosed, Fan-Cooled (T.E.F.C.) Motor Mount Assembly Complete (for 50 Hz models Only) (includes illus. nos. 2 through 14 and 18 through 24)
19	117600	4	Noise Suppressor Tape (sold by the foot)
20	153050	1	1/2" S.A.E. Flat Washer
21	100714	1	1/8" x 1/8" x 1-1/2" Key
22	882670	1	16" Impellor with 3/4" Bore
23	153050	**	1/2" S.A.E. Flat Washer
24	152006	2	1/2-20 Left Hand Jam Nut

* Specify voltage when ordering.

** As required.

For models mfd. as of July 1, 2002



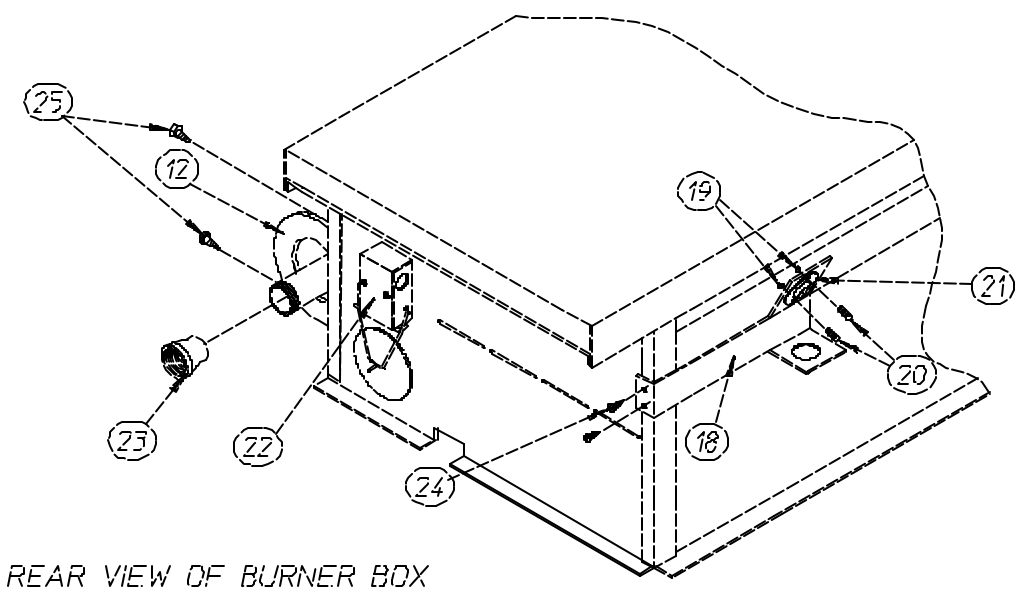
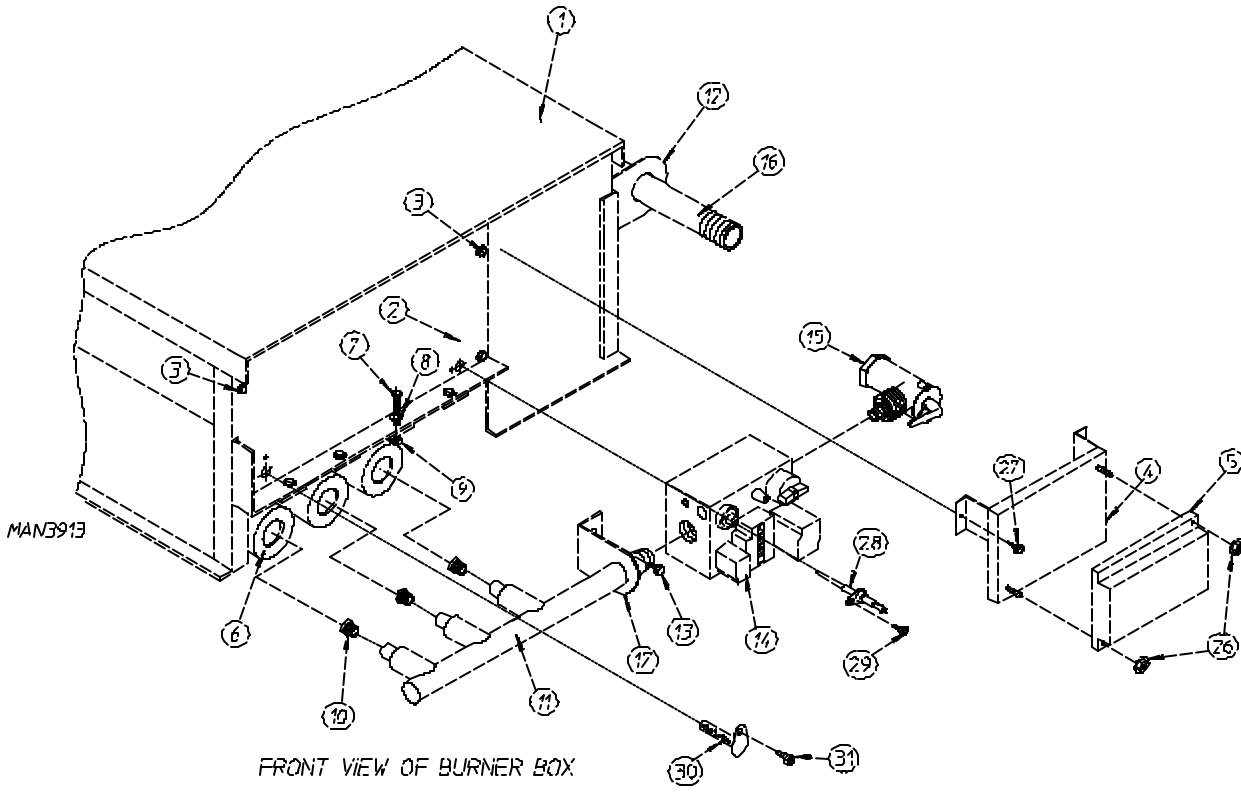
For models mfd. as of July 1, 2002

<u>Illus. No.</u>	<u>Part No.</u>	<u>Qty.</u>	<u>Description</u>
1	817214*	1	Natural Gas Burner Assembly Complete Less Orifices (includes illus. nos. 1 through 9 and 11 through 29) For Models Mfd. with Natural Gas ONLY
	817215*	1	Liquid Propane (L.P.) Gas Burner Assembly Complete Less Orifices (includes illus. nos. 1 through 9 and 11 through 29) For Models Mfd. with L.P. Gas ONLY
	883298**	1	Burner Liquid Propane (L.P.) Conversion Kit
2	318402	1	Burner Box Front ONLY
3	150309	5	#10-16 x 1/2" Hex Head TEK Crimptite Screw
4	810030	1	Direct Spark Ignition (DSI) Module Mounting Bracket
5	128941	1	Direct Spark Ignition (DSI) Module
6	141105	3	Large Burner Tube
7	150103	3	#8-32 x 1/2" Phillips Round Head Machine Screw
8	153000	3	#8 Steel Burr
9	151001	3	#8-32 Pal Nut
10**	140853	3	#23 Burner Orifice (natural gas) ONLY
	140810	3	#42 Burner Orifice (liquid propane [L.P.] gas) ONLY
11	141232	1	3-Port Manifold
12	318700	2	Pipe Bracket
13	150300	2	#10-16 x 1/2" Hex Washer TEK Screw
14	128933	1	1/2" 24 VAC Redundant (natural gas) Gas Valve
	883255	1	1/2" 24 VAC Liquid Propane (L.P.) Gas Valve Assembly
15	881367	1	1/2" Union Shut Off with Tail Piece
16	142809	1	1/2" x 29-1/8" Nipple
17	323737	1	Pipe Bracket
18	319704	1	Hi-Limit Mounting Bracket
19	151000	2	#6-32 Pal Nut
20	150001	2	#6-32 x 1/2" Phillips Round Head Machine Screw
21	130201	1	330° F Hi-Limit ONLY
22	-----	1	Sail Switch (refer to Sail Switch Assembly on page 26)
23	143000	1	3/4" to 1/2" Reducing Coupling
24	150309	2	#10-16 x 1/2" Hex Head TEK Crimptite Screw
25	150309	2	#10-16 x 1/2" Hex Head TEK Crimptite Screw
26	151001	2	#8-32 Pal Nut
27	150309	3	#10-16 x 1/2" Hex Head TEK Crimptite Screw
28	150309	3	#10-16 x 1/2" Hex Head TEK Crimptite Screw
29	809309	1	Ignition Probe Assembly with High Voltage (HV) Wire

* Burner orifices *are not included* and **must be** ordered separately.

** Consult factory for elevations over 2,000 feet.

For models mfd. prior to July 1, 2002

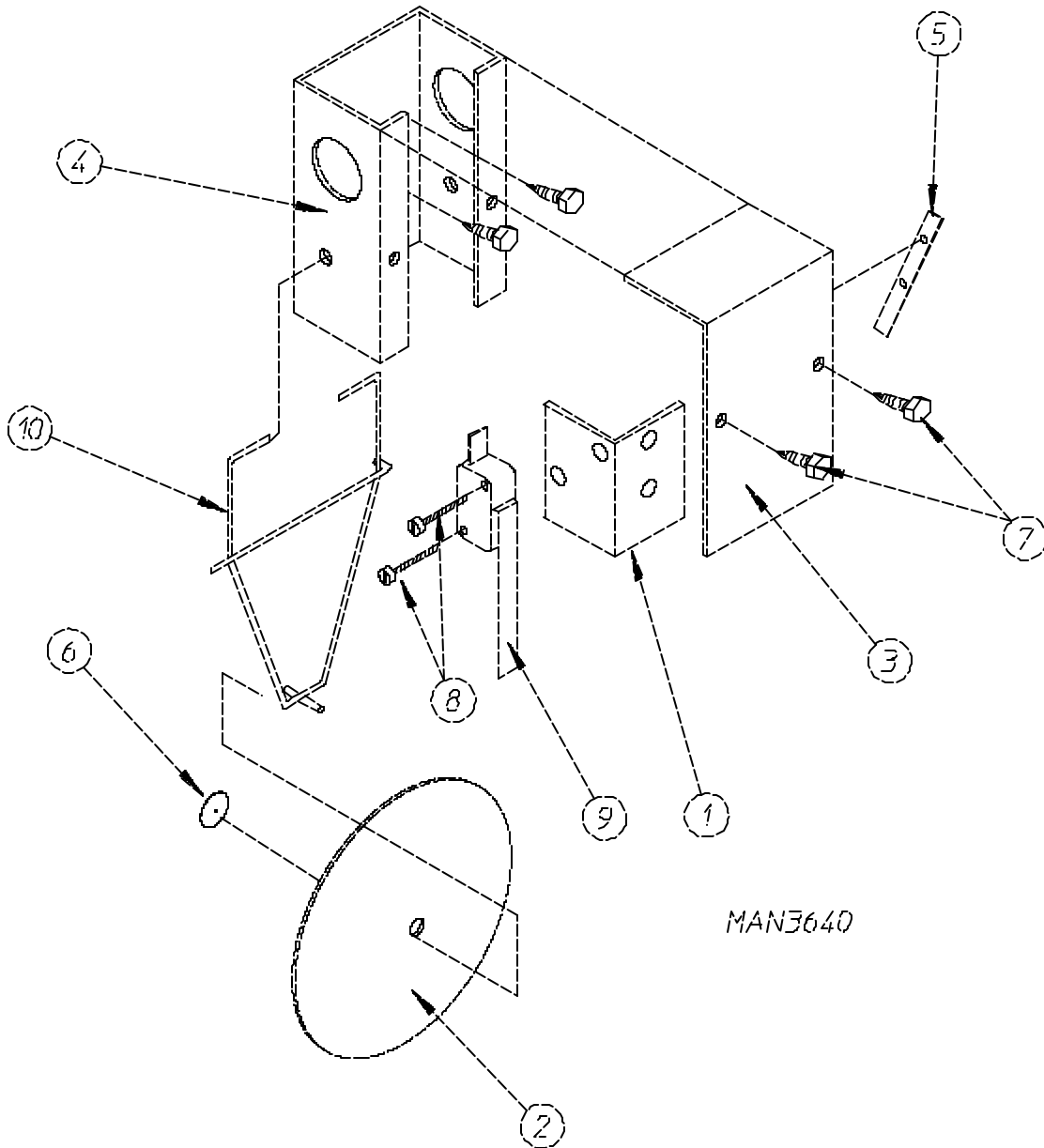


 For models mfd. prior to July 1, 2002

<u>Illus. No.</u>	<u>Part No.</u>	<u>Qty.</u>	<u>Description</u>
1	801788*	1	Natural Gas Burner Assembly Complete Less Orifices (includes illus. nos. 1 through 9 and 11 through 29) For models mfd. with Natural Gas ONLY
	883340*	1	Liquid Propane (L.P.) Gas Burner Assembly Complete Less Orifices (includes illus. nos. 1 through 9 and 11 through 29) For models mfd. with Liquid Propane (L.P.) Gas ONLY
	801768	1	Burner Box ONLY
2	318403	1	Burner Box Front ONLY
3	150309	5	#10-16 x 1/2" Hex Head TEK Crimptite Screw
4	810029	1	Hot Surface Ignition (HSI) Module Mounting Bracket
5	128975	1	Hot Surface Ignition (HSI) Module II
6	141105	3	Large Burner Tube
7	150103	3	#8-32 x 1/2" Phillips Round Head Machine Screw
8	153000	3	#8 Steel Burr
9	151001	3	#8-32 Pal Nut
10**	140828	3	#20 Burner Orifice (natural gas) ONLY
	140810	3	#42 Burner Orifice (liquid propane [L.P.] gas) ONLY
11	141232	1	3-Port Manifold
12	318700	2	Pipe Bracket
13	150300	2	#10-16 x 1/2" Hex Washer TEK Screw
14	128933	1	1/2" 24 VAC Redundant (natural gas) Gas Valve
	883255	1	1/2" 24 VAC Liquid Propane (L.P.) Gas Valve Assembly
15	141314	1	1/2" Union Shut Off with Tail Piece
16	142809	1	1/2" x 29-1/8" Nipple
17	318700	1	Pipe Bracket
18	319704	1	Hi-Limit Mounting Bracket
19	151000	2	#6-32 Pal Nut
20	150001	2	#6-32 x 1/2" Phillips Round Head Machine Screw
21	130201	1	330°F Hi-Limit ONLY
22	-----	1	Sail Switch (refer to Sail Switch Assembly on page 26)
23	142936	1	3/4" to 1/2" Reducing Coupling
24	150309	2	#10-16 x 1/2" Hex Head TEK Crimptite Screw
25	150309	2	#10-16 x 1/2" Hex Head TEK Crimptite Screw
26	151001	2	#8-32 Pal Nut
27	150309	3	#10-16 x 1/2" Hex Head TEK Crimptite Screw
28	128921	1	Hot Surface Ignition (HSI) Flame Sensor
29	150301	1	#8-18 x 7/16" Phillips Pan Head TEK Screw
30	881597	1	Hot Surface Ignition (HSI) 2-1/2" length - 24 VAC
31	150309	1	#10-16 x 1/2" Hex Head TEK Crimptite Screw

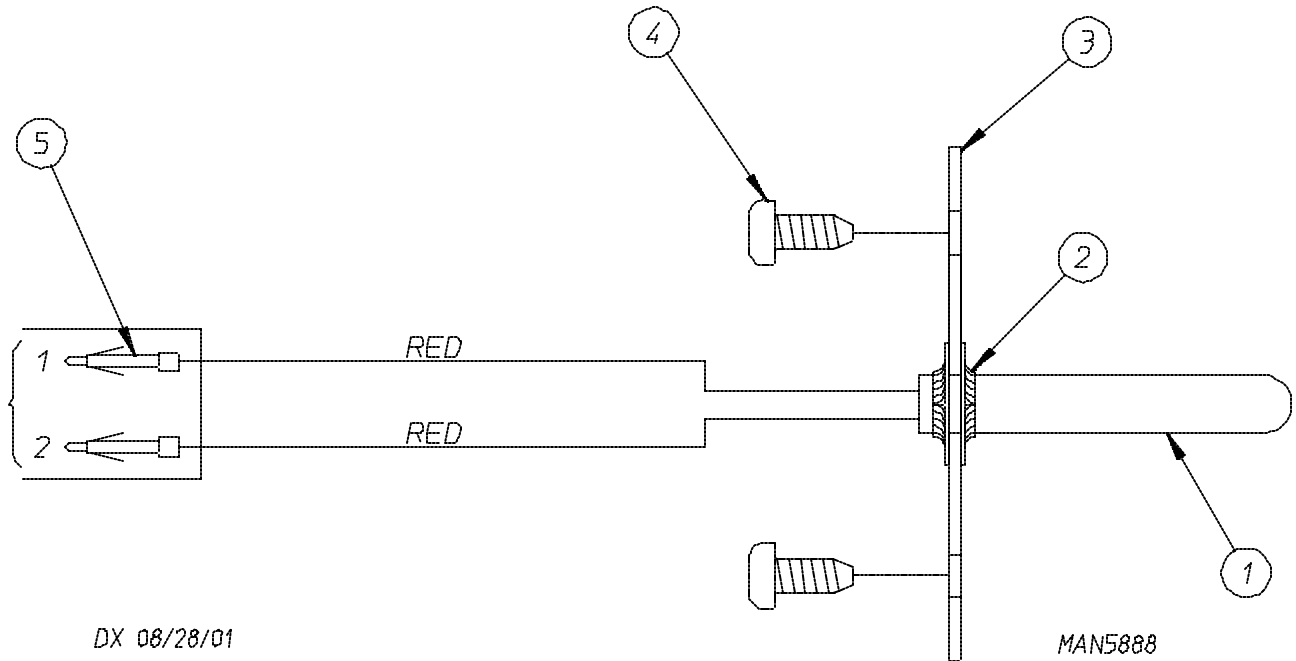
* Burner orifices *are not included* and **must be** ordered separately.

** Consult factory for elevations over 2,000 feet.

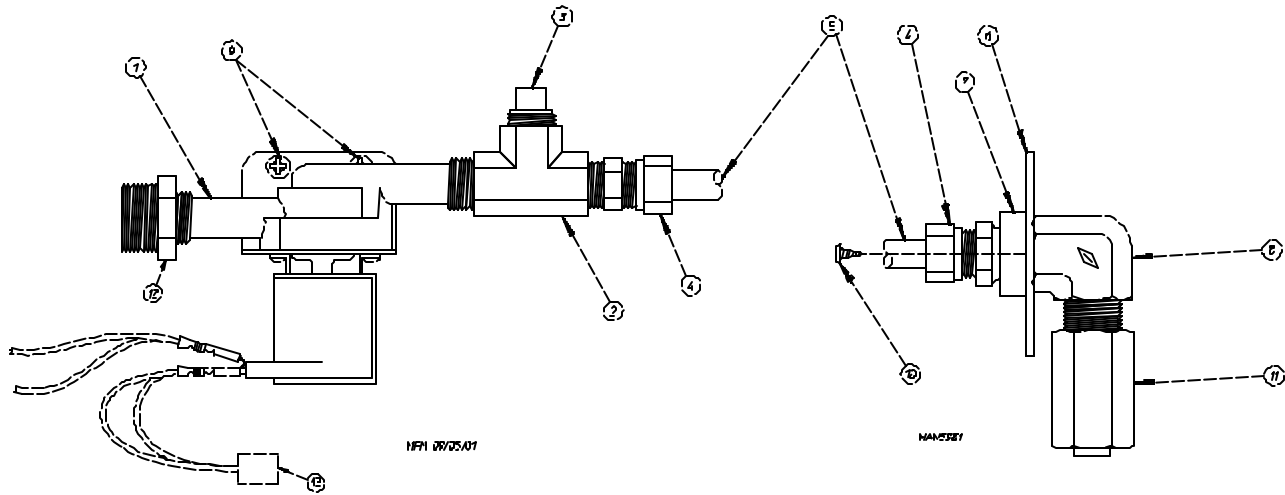


MAN3640

<u>Illus. No.</u>	<u>Part No.</u>	<u>Qty.</u>	<u>Description</u>
1	319203	1	Sail Switch Mounting Bracket
2	319202	1	Sail Switch Damper (flat)
3	319201	1	Sail Switch Box Cover
4	319200	1	Sail Switch Box
5	154004	1	Twin Speed Nut
6	154002	1	1/8" Push On Fastener
7	150309	4	#10-16 x 1/2" Hex Washer TEK Crimptite Screw
8	150303	2	#4 x 3/4" Pan Head "A" Machine Screw
9	122200	1	Sail Switch ONLY
	881706	1	Sail Switch Box Assembly Complete (includes illus. nos. 1 through 10)
10	105500	1	Sail Switch Actuator Rod

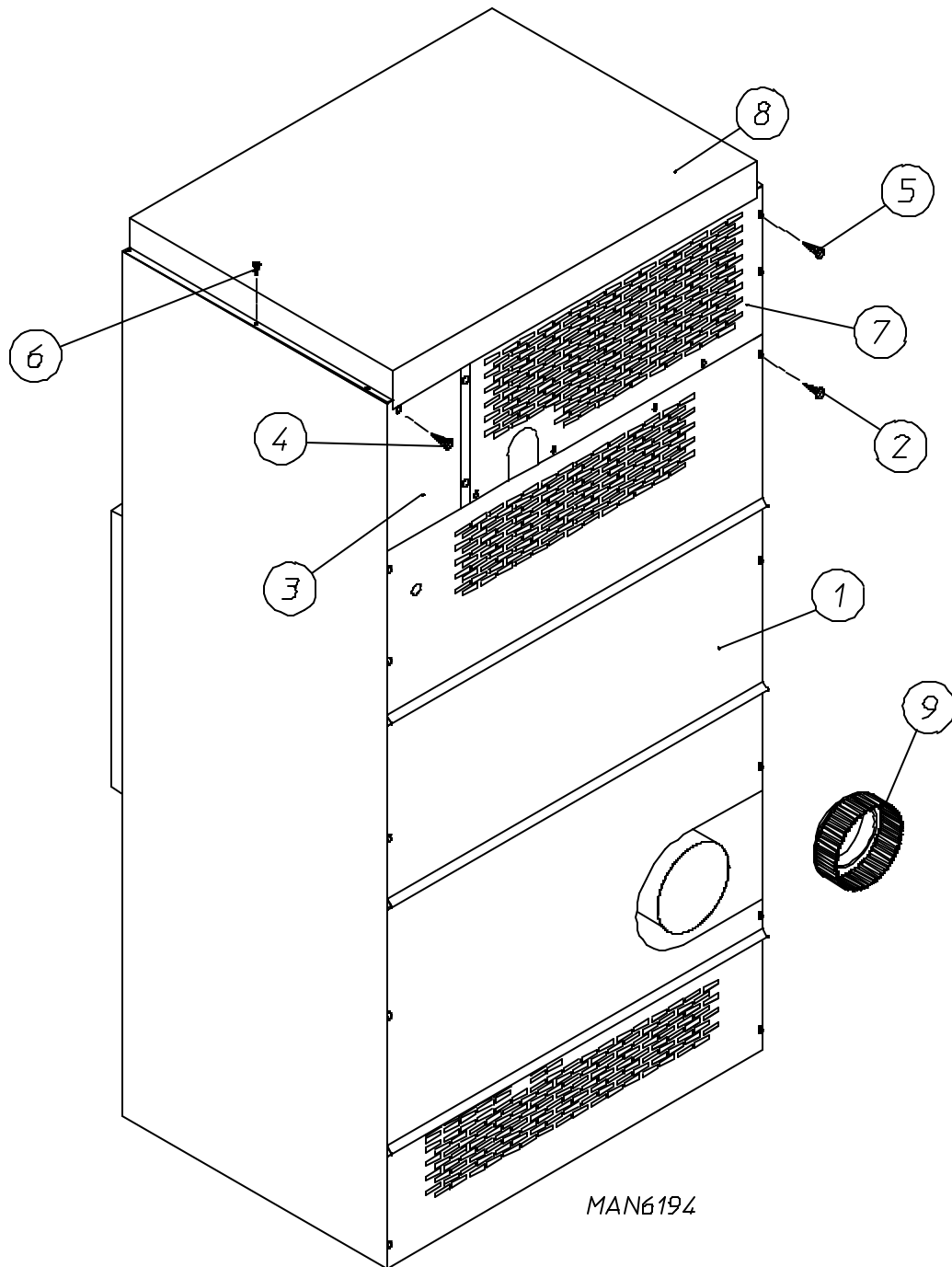


<u>Illus. No.</u>	<u>Part No.</u>	<u>Qty.</u>	<u>Description</u>
1	822752	1	Sensor Activated Fire Extinguishing (S.A.F.E.) Temperature Probe Assembly (includes illus. nos. 1 through 5)
2	154007	2	Push On Fastener
3	390390	1	Sensor Bracket ONLY
4	150301	2	#8-18 Phillips Pan Head TEK Screw
5	122647	1	Connector ONLY



<u>Illus. No.</u>	<u>Part No.</u>	<u>Qty.</u>	<u>Description</u>
1	165114	1	Sensor Activated Fire Extinguishing (S.A.F.E.) Solenoid and Piping Valve 24V 50/60 Hz
2	143220	1	3/8" F.P.T. Brass Tree
3	143251	1	3/8" M.P.T. Brass Plug
4	143208	2	3/8" Comp x 3/8" M.P.T. Brass Connector
5	143099*	6'	3/8" OD x 0.035 Wall Copper Tubing
6	311588	1	Sprinkler Head Mounting Plate
7	143303	1	3/8" N.P.T. Brass Locknut
8	143155	1	3/8" Brass Elbow 90°
9	150430	2	#10 x 1/2" Self Drilling Screw
10	150301	2	#8-18 x 7/16" TEK Screw
11	143581	1	3 GPM 3/8" F.P.T. Spray Nozzle
12	142888	1	1/2" to 3/8" Bushing
13	824081	1	R.C. Network Assembly

* Sold by the foot.



<u>Illus. No.</u>	<u>Part No.</u>	<u>Qty.</u>	<u>Description</u>
1	314501	1	Bottom Back Guard
2	150301	12	#8-18 x 7/16" Phillips Pan Head TEK Screw
3	322809	1	Rear Electrical Box Cover
4	150301	4	#8-18 x 7/16" Phillips Pan Head TEK Screw
5	150301	7	#8-18 x 7/16" Phillips Pan Head TEK Screw
6	150301	12	#8-18 x 7/16" Phillips Pan Head TEK Screw
7	314738	1	Top Back Guard
8	314737	1	Outer Top
9	882099	1	8" to 10" Increaser

<u>Part No.</u>	<u>Description</u>
114533	“120V Electric Service”
114001	“CAUTION - Exhaust/Lint Screen” Label
114521	“Phase 7 OPL Program Location Summary” Label
114006	“WARNING - Fire Hazards” Label
114094	“MOP HEAD WARNING” Label
121499	5-1/2” Harness Tie
121500	8” Harness Tie
122804	Manometer (hydro gauge) for Measuring Gas Pressure
404502	White Brush-In-Cap Bottle Touch-Up Paint
410001	1/2” Allen Wrench (for removal of shutoff valve tail piece)
882458	Basket (tumbler) Puller Assembly
