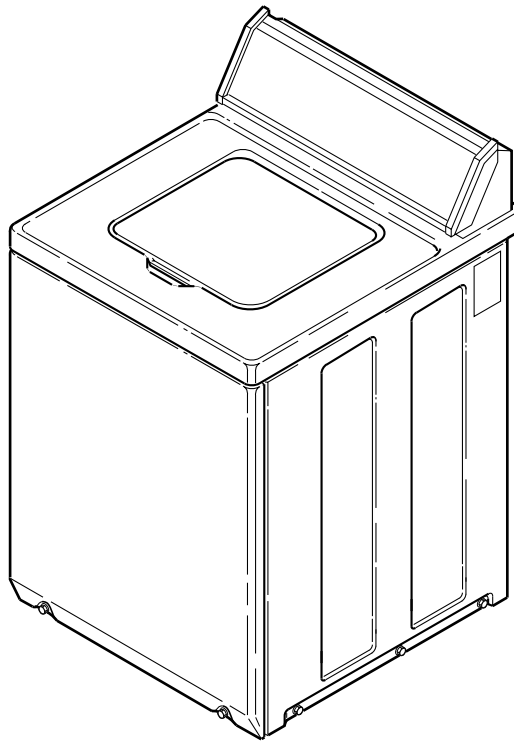


# Automatic Washers

Refer to Page 3 for Model Numbers



W162S

# Table of Contents

Title	Page
Parts Ordering Information .....	2
Nameplate Location .....	2
Model Identification .....	3
Graphic Panel, Control Hood and Controls .....	4
Control Panel and Controls .....	6
Cabinet Top, Loading Door and Control Hood Rear Panel .....	8
Cabinet Top, Loading Door and Control Hood .....	10
Switch and Bracket Assembly .....	12
Inlet Hose, Filler Hose, Back Flow Preventer and Mixing Valve Mounting Bracket .....	14
Inlet Hose, Filler Hose, Back Flow Preventer and Mixing Valve Mounting Bracket .....	16
Mixing Valve Assembly .....	18
Agitator, Drive Bell and Seal Seat .....	20
Agitator and Post .....	22
Lint Filter, Washtub and Hub .....	24
Lint Filter, Washtub and Hub .....	26
Outer Tub, Cover and Pressure Hose .....	28
Motor, Mounting Brackets, Belts and Idler Assembly .....	30
Transmission Assembly and Balance Ring .....	32
Components for 33227P Transmission Assembly .....	34
Transmission Assembly and Balance Ring .....	36
Components for 30946P Transmission Assembly .....	38
Bearing Housing, Brake, Pulley and Pivot Dome .....	40
Pump Assembly, Bracket, Hoses and Siphon Break Kit .....	42
Front Panel, Cabinet and Base .....	44
Power Cord and Wire Terminals .....	46
Special Tools .....	48
Special Tools .....	50
Parts Index .....	53

© Copyright 2000, Alliance Laundry Systems LLC

All rights reserved. No part of the contents of this book may be reproduced or transmitted in any form or by any means without the expressed written consent of the publisher.

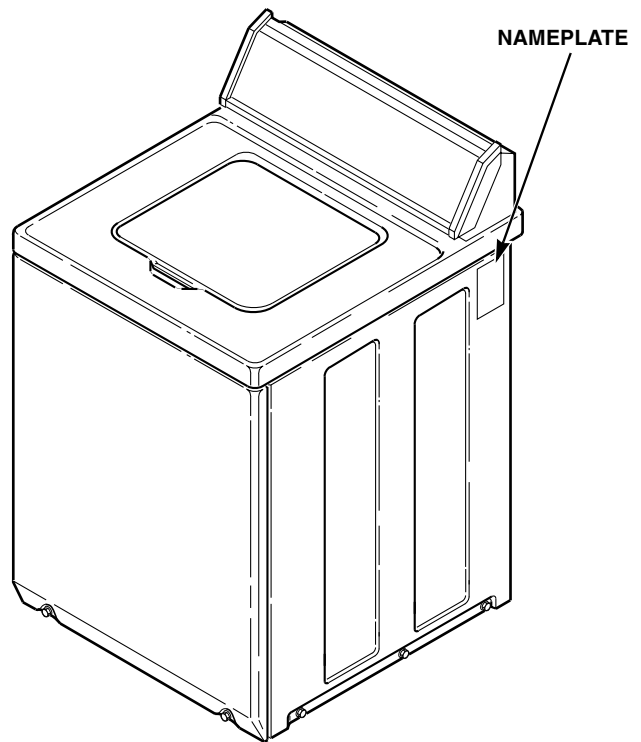
## Parts Ordering Information

If literature or replacement parts are required, contact the source from whom the machine was purchased or contact Alliance Laundry Systems LLC at (920) 748-3950 for the name and address of the nearest authorized parts distributor.

For technical assistance, call (920) 748-3121.

## Nameplate Location

When calling or writing about your product, be sure to mention model and serial numbers. Model and serial numbers are located on nameplate(s) as shown.



W162S

# Model Identification

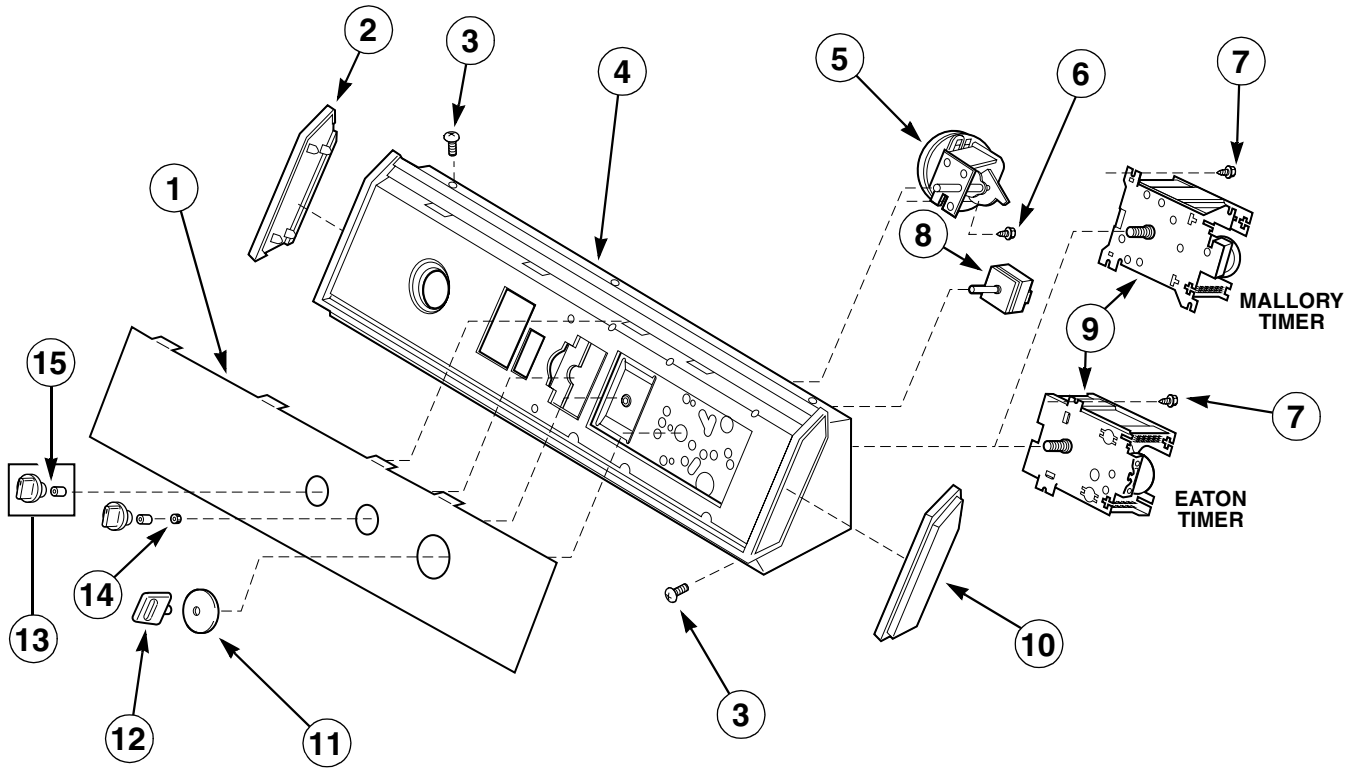
Information in this manual is applicable to these washer models:

BA4121	BA2411
BA4120	BA2410
BA3110	BA2300



# Graphic Panel, Control Hood and Controls

Models BA4121, BA4120 and BA3110



W435P

# Graphic Panel, Control Hood and Controls

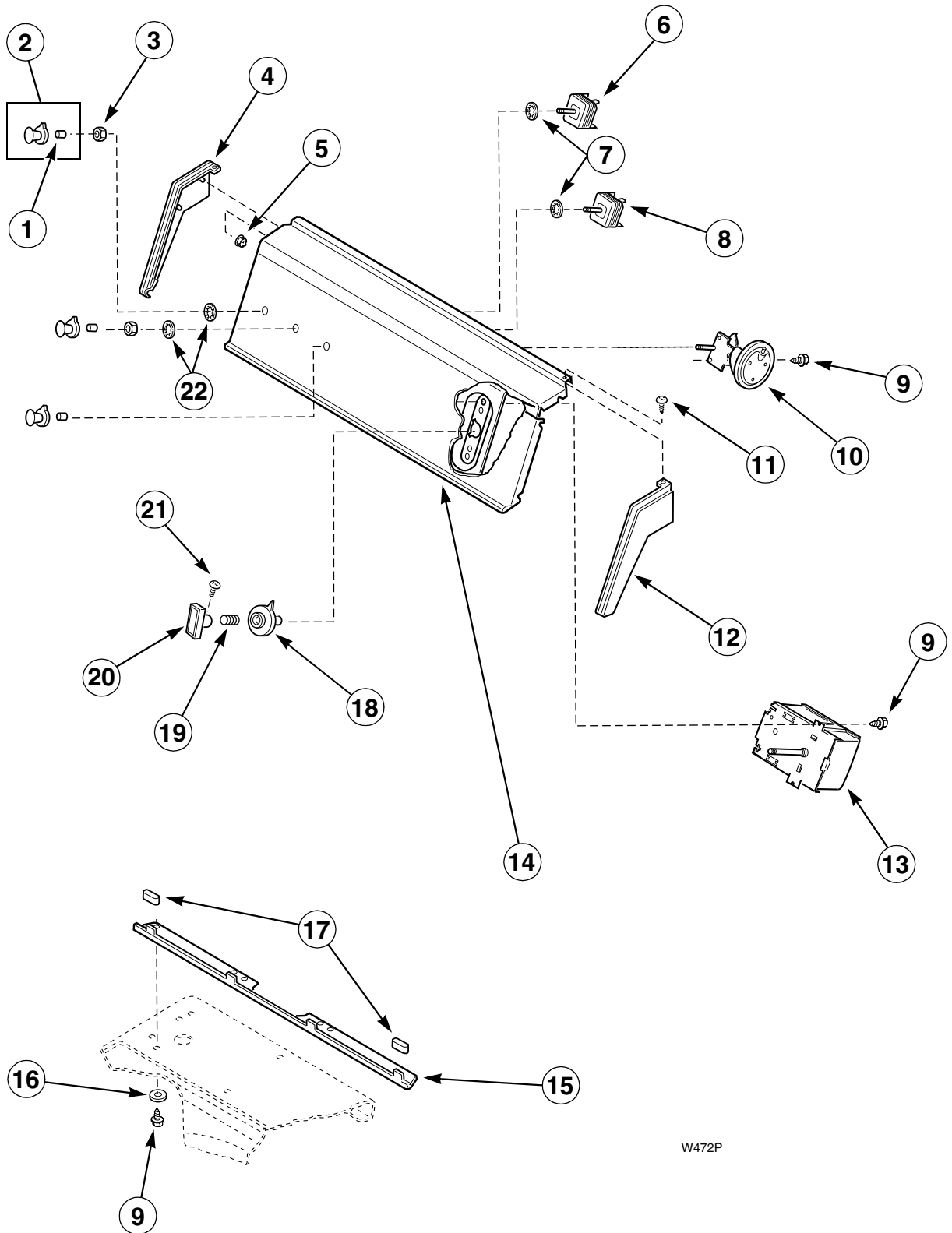
Models BA4121, BA4120 and BA3110

REF	PART NO.	DESCRIPTION	COMMENTS
1	31205	Graphic Panel	Models BA4121 and BA4120; N/A
	31207	Graphic Panel	Model BA3110
2	34460	End Cap	Left
3	31752	Screw	
4	31735	Control Hood Assembly	
5	31266	Pressure Switch	
6	31260	Screw	
7	23962	Screw	
8	21300	Temperature Switch	
9	31239	Timer	Although these timers differ in appearance, they are completely interchangeable when identified by the same part number
10	34459	End Cap	Right
11	31267	Timer Knob Skirt	
12	31281	Timer Knob	
13	31287	Control Knob Assembly	
14	57584	Nut	
15	10519	Clip	N/A

**N/A – Part no longer available**

# Control Panel and Controls

Models BA2411, BA2410 and BA2300



W472P



# Control Panel and Controls

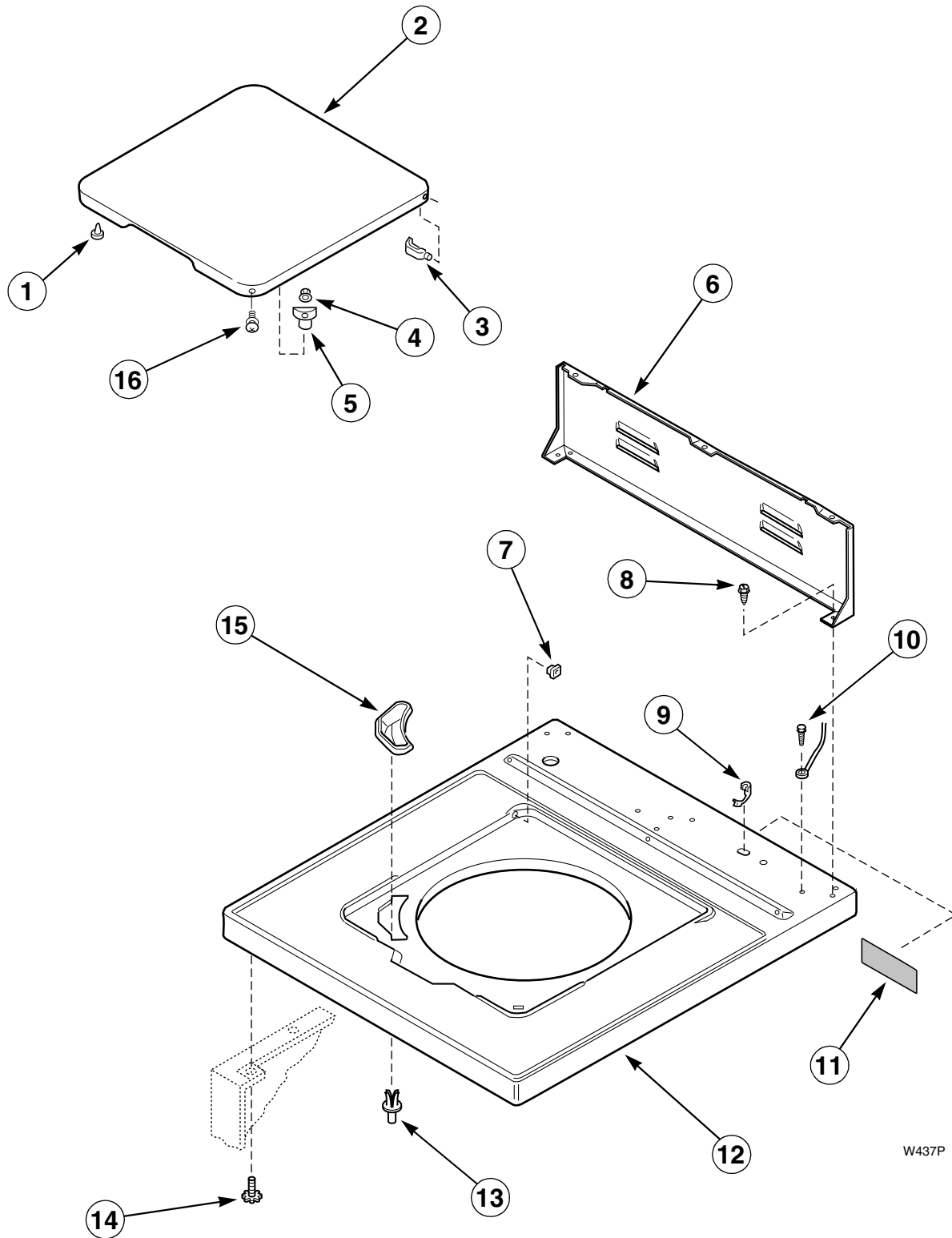
Models BA2411, BA2410 and BA2300

REF	PART NO.	DESCRIPTION	COMMENTS
1	10519	Clip	N/A
2	28124	Control Knob Assembly	N/A
3	57584	Nut	
4	25124	Control Hood End	Left; N/A
5	25126	Speed Nut	N/A
6	21300	Temperature Switch	
7	91176	Lockwasher	
8	21302	Action Switch	Models BA2411 and BA2410; N/A
9	23962	Hex Head Screw	
10	27778	Pressure Switch	
11	25232	Phillips Head Screw	
12	25123	Control Hood End	Right; N/A
13	28918	Timer	
14	28999	Control Panel	Models BA2411 and BA2410; N/A
	29000	Control Panel	Model BA2300; N/A
15	23360	Panel Support Bracket	N/A
16	20493	Fiber Washer	N/A
17	24859	Sleeve	N/A
18	28287	Timer Knob Indicator	N/A
19	26319	Spring	N/A
20	27382	Timer Knob	N/A
21	26318	Setscrew	N/A
22	91176	Lockwasher	

N/A – Part no longer available

# Cabinet Top, Loading Door and Control Hood Rear Panel

Models BA4121, BA4120 and BA3110



W437P

# Cabinet Top, Loading Door and Control Hood Rear Panel

Models BA4121, BA4120 and BA3110

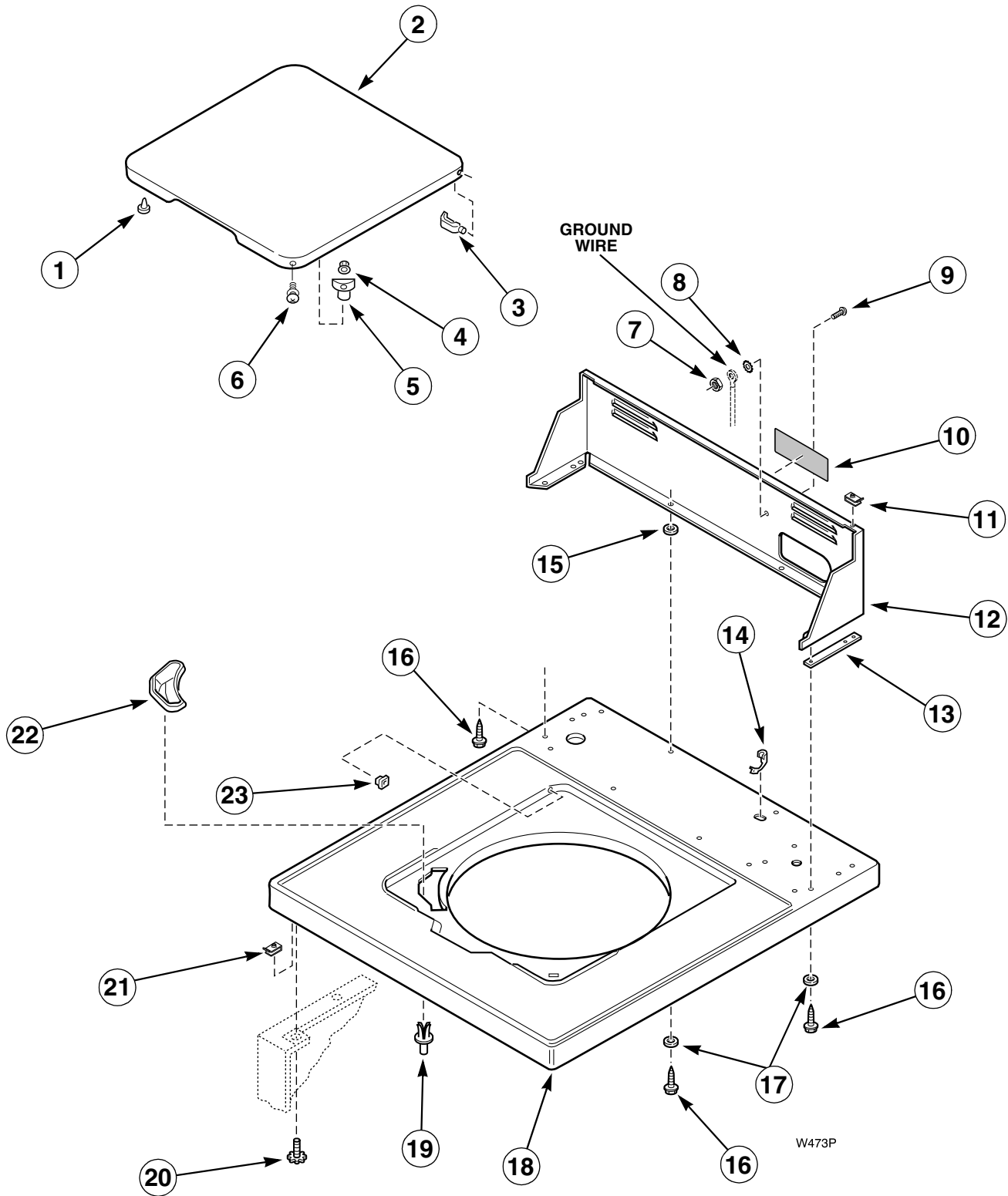
REF	PART NO.	DESCRIPTION	COMMENTS
1	21685	Bumper	
2	31315*	Loading Door	N/A in Harvest Gold
3	27626	Hinge	
4	21752	Nylon Nut	
5	27149	Catch	
6	37782	Control Hood Rear Panel	
7	27625	Bushing	
8	23962	Screw	
9	38384	Strain Relief	
10	52909	Screw	
11	24903	Sticker	
12	32808*P	Cabinet Top	N/A in Harvest Gold
13	56534	Rivet	
14	33562	Screw and Lockwasher	
15	34776	Bleach Dispenser	Not used on Model BA3110
16	27203	Screw and Lockwasher	

\* Add letter to designate color:    H - Harvest Gold    L - Almond    W - White

N/A – Part no longer available

# Cabinet Top, Loading Door and Control Hood

Models BA2411, BA2410 and BA2300



# Cabinet Top, Loading Door and Control Hood

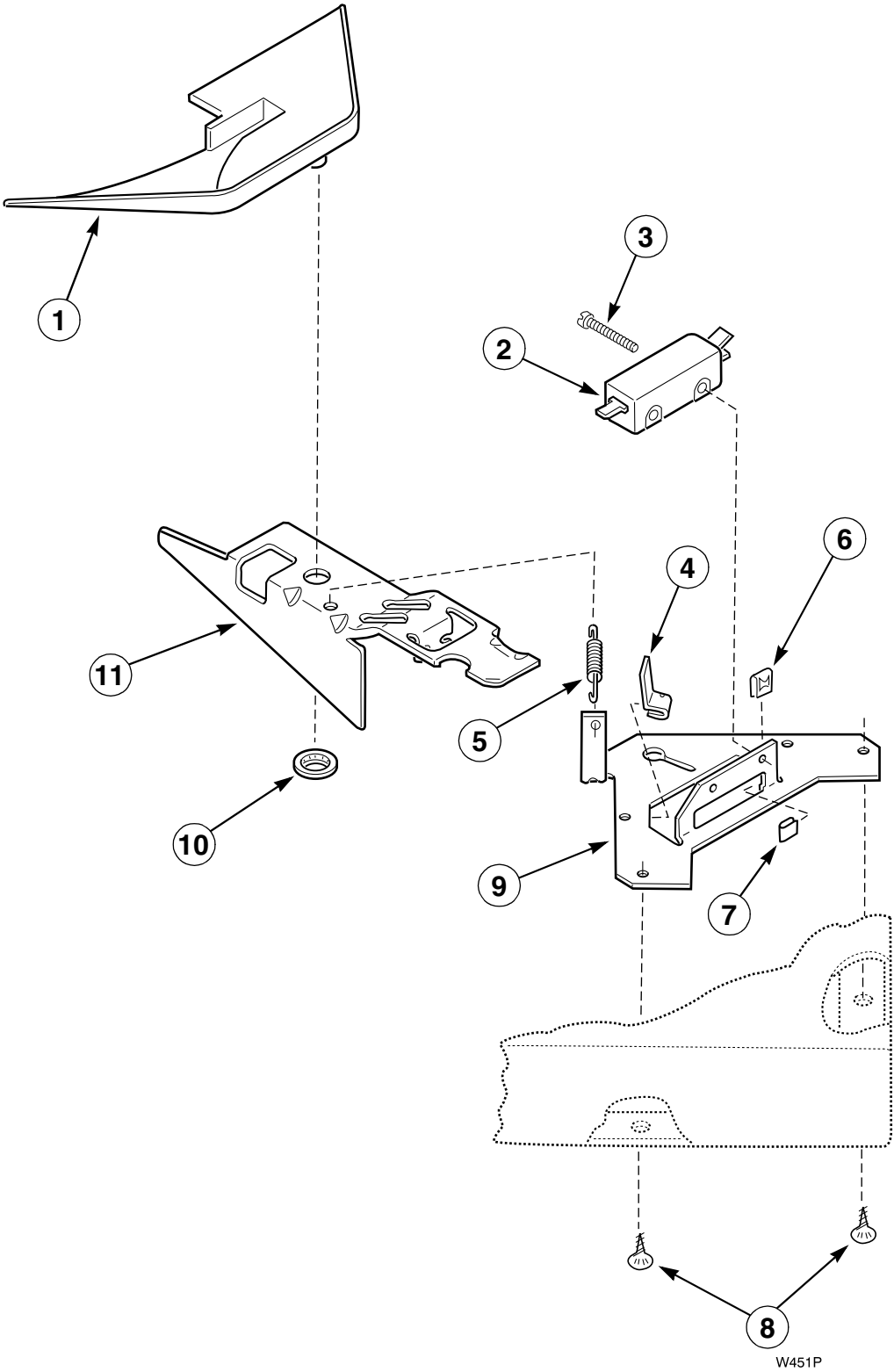
Models BA2411, BA2410 and BA2300

REF	PART NO.	DESCRIPTION	COMMENTS
1	21685	Bumper	
2	27665*	Loading Door	N/A
3	27626	Hinge	
4	21752	Nylon Nut	
5	27149	Catch	
6	27203	Screw and Lockwasher	
7	03673	Nut	
8	03815	Lockwasher	
9	20267	Screw	
10	24903	Sticker	
11	24522	Speed Nut	
12	29551*	Control Hood	N/A
13	23028	Gasket	N/A
14	38384	Strain Relief	
15	23425	Vinyl Washer	N/A
16	23962	Screw	
17	20493	Fiber Washer	N/A
18	27662*	Cabinet Top	Models BA2411 and BA2410; N/A
	27663*	Cabinet Top	Model BA2300; N/A
19	56534	Rivet	
20	23008	Screw and Lockwasher	
21	36020	Speed Nut	
22	34776	Bleach Dispenser	Not used on model BA2300
23	27625	Bushing	

\* Add letter to designate color:    H - Harvest Gold    L - Almond    W - White

N/A – Part no longer available

# Switch and Bracket Assembly



W451P

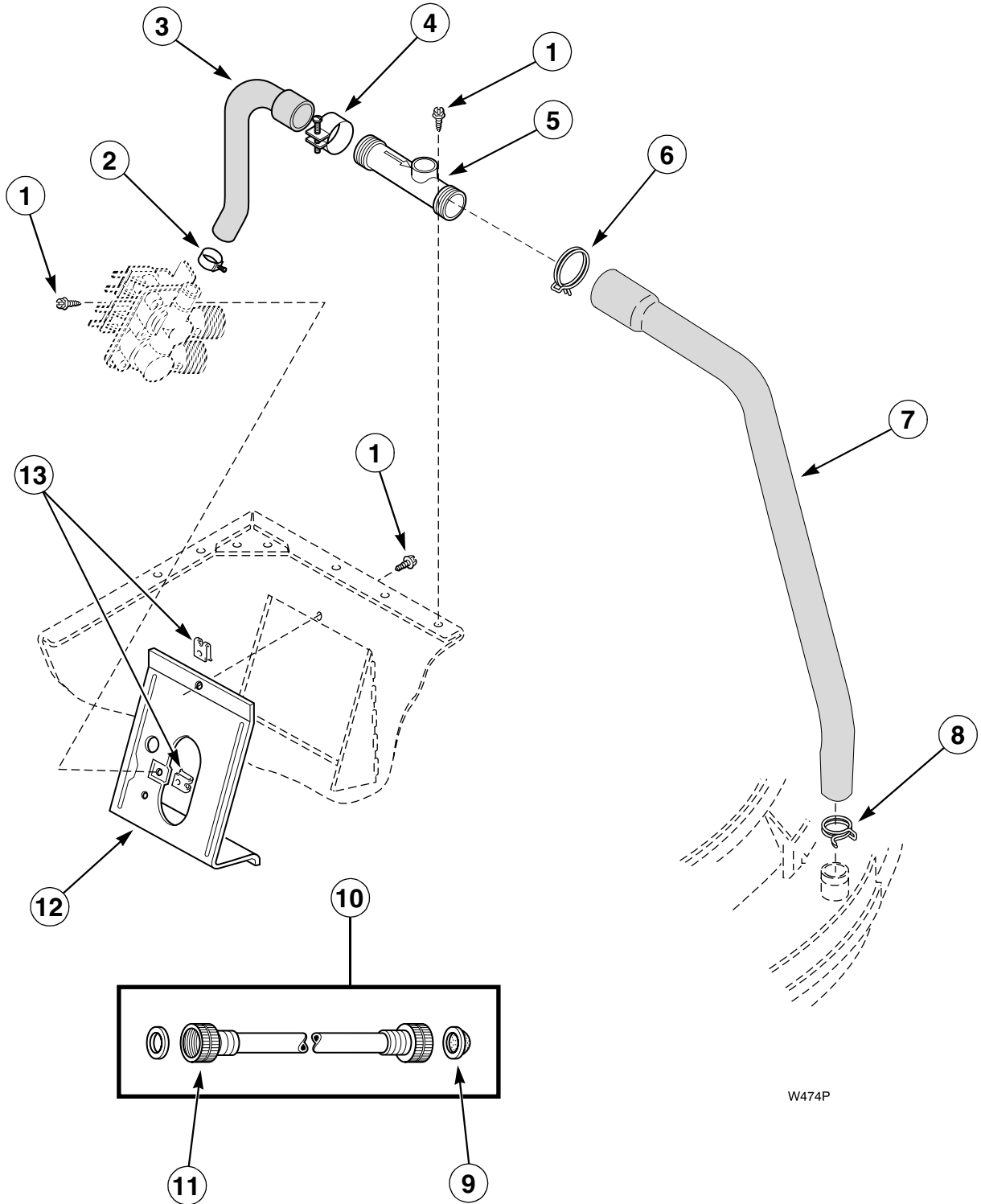
# Switch and Bracket Assembly

REF	PART NO.	DESCRIPTION	COMMENTS
1	29042	Shield	
2	27249	Switch	
3	Q6516	Screw	
4	27837	U-Clip	N/A
5	27603	Spring	N/A
6	27248	Speed Nut	N/A
7	27610	U-Clip	N/A
8	28193	Screw	
9	27250	Bracket	
10	29043	Pushnut	
11	27602	Lever	

N/A – Part no longer available

# Inlet Hose, Filler Hose, Back Flow Preventer and Mixing Valve Mounting Bracket

Models BA4121, BA4120 and BA3110



W474P



# Inlet Hose, Filler Hose, Back Flow Preventer and Mixing Valve Mounting Bracket

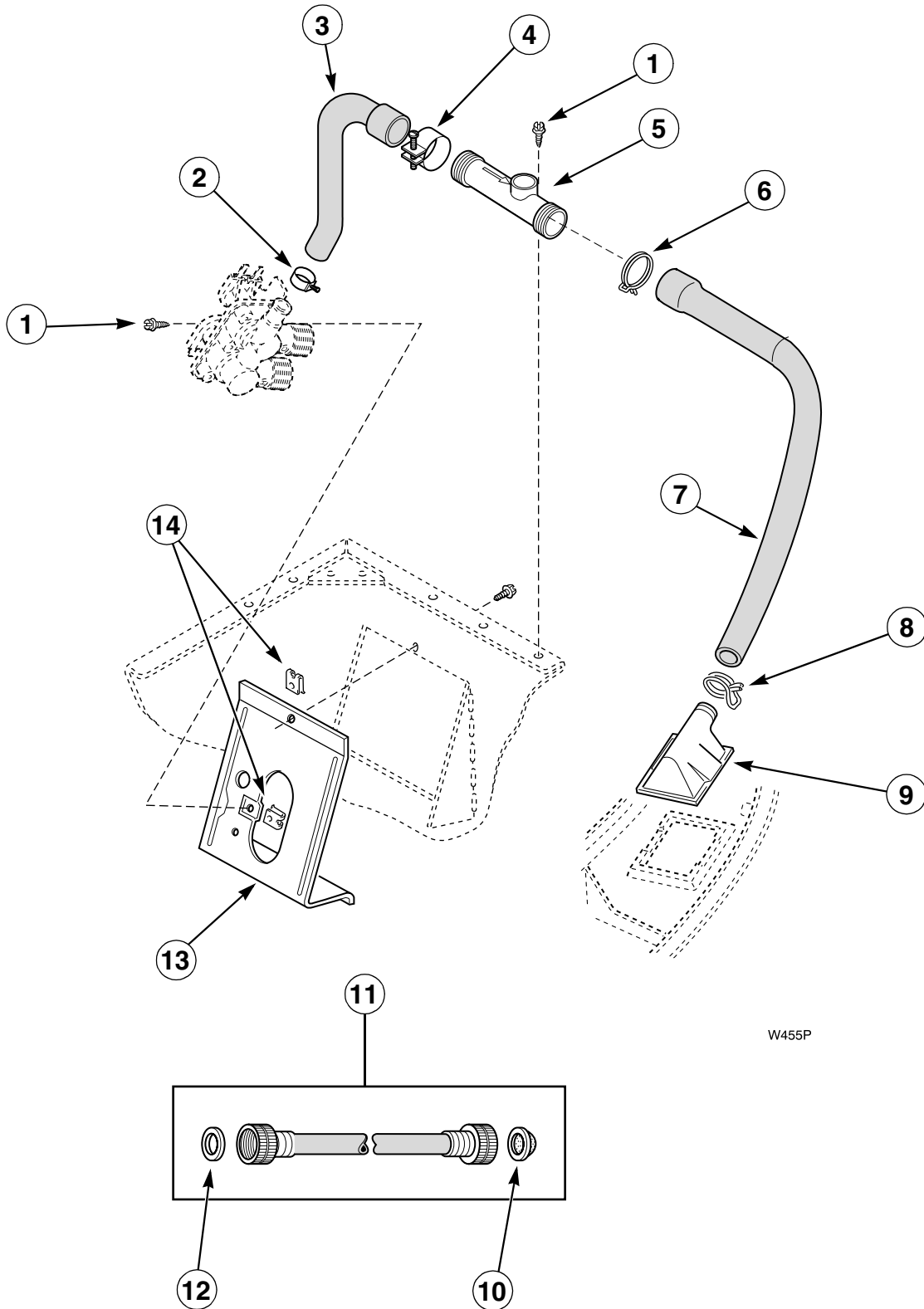
Models BA4121, BA4120 and BA3110

REF	PART NO.	DESCRIPTION	COMMENTS
1	23962	Screw	
2	36801	Hose Clamp	
3	27183	Hose	
4	20211	Hose Clamp	
5	34280	Back Flow Preventer	
6	35370	Hose Clamp	Green
7	31140	Hose	
8	29210	Hose Clamp	Red
9	28605	Filter Washer	N/A
10	28330P	Inlet Hose	
11	20290	Hose Washer	
12	39407	Mixing Valve Mounting Bracket	
13	54038	Speed Nut	N/A

N/A – Part no longer available

# Inlet Hose, Filler Hose, Back Flow Preventer and Mixing Valve Mounting Bracket

Models BA2411, BA2410 and BA2300



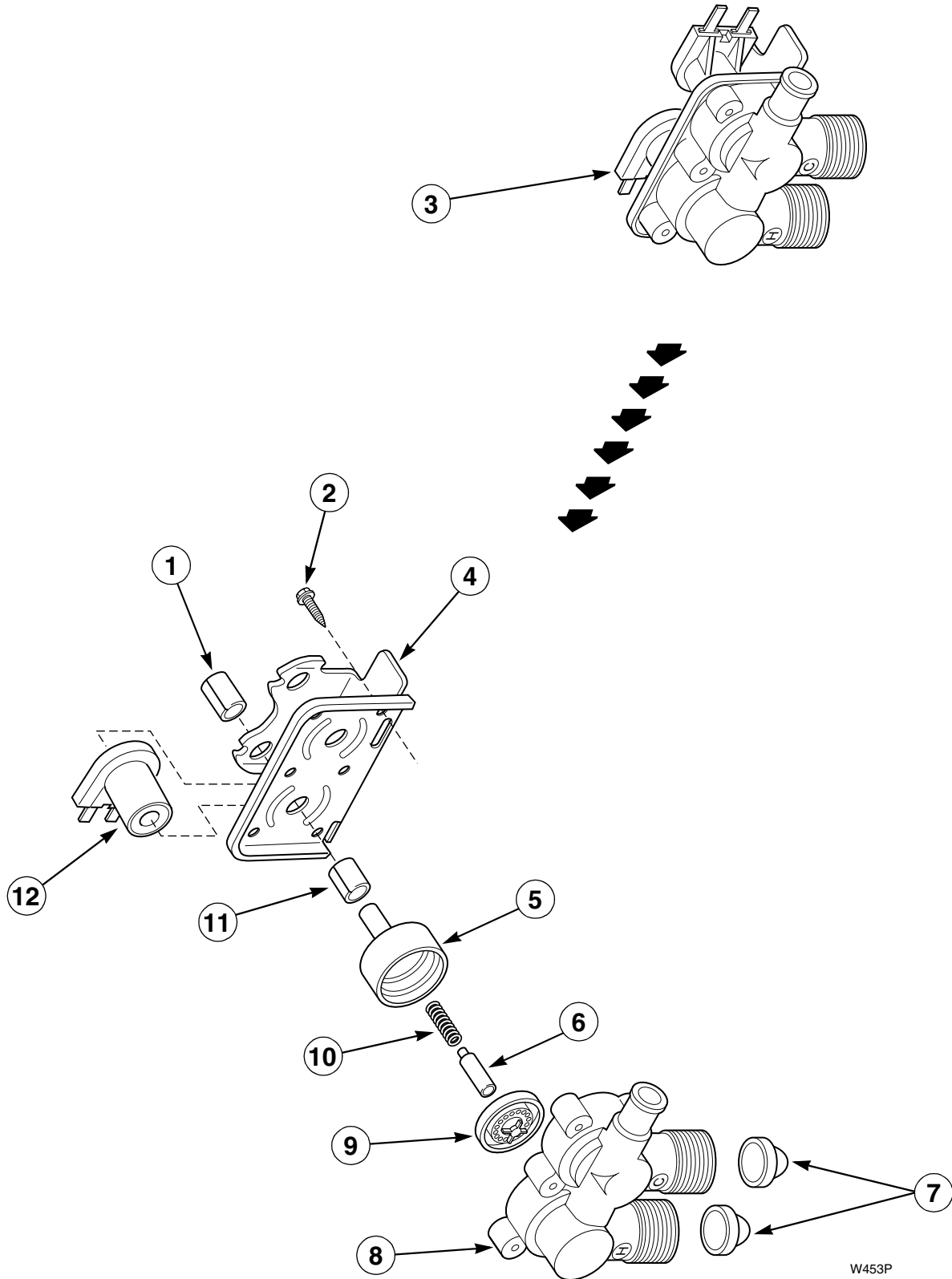
# Inlet Hose, Filler Hose, Back Flow Preventer and Mixing Valve Mounting Bracket

Models BA2411, BA2410 and BA2300

REF	PART NO.	DESCRIPTION	COMMENTS
1	23962	Screw	
2	36801	Hose Clamp	
3	27183	Hose	
4	20211	Hose Clamp	
5	34280	Back Flow Preventer	
6	35370	Hose Clamp	Green
7	29182	Hose	
8	29210	Hose Clamp	Red
9	29154	Water Inlet Head	
10	28605	Filter Washer	N/A
11	28330	Inlet Hose	
12	20290	Hose Washer	
13	39407	Mixing Valve Mounting Bracket	
14	54038	Speed Nut	N/A

N/A – Part no longer available

# Mixing Valve Assembly



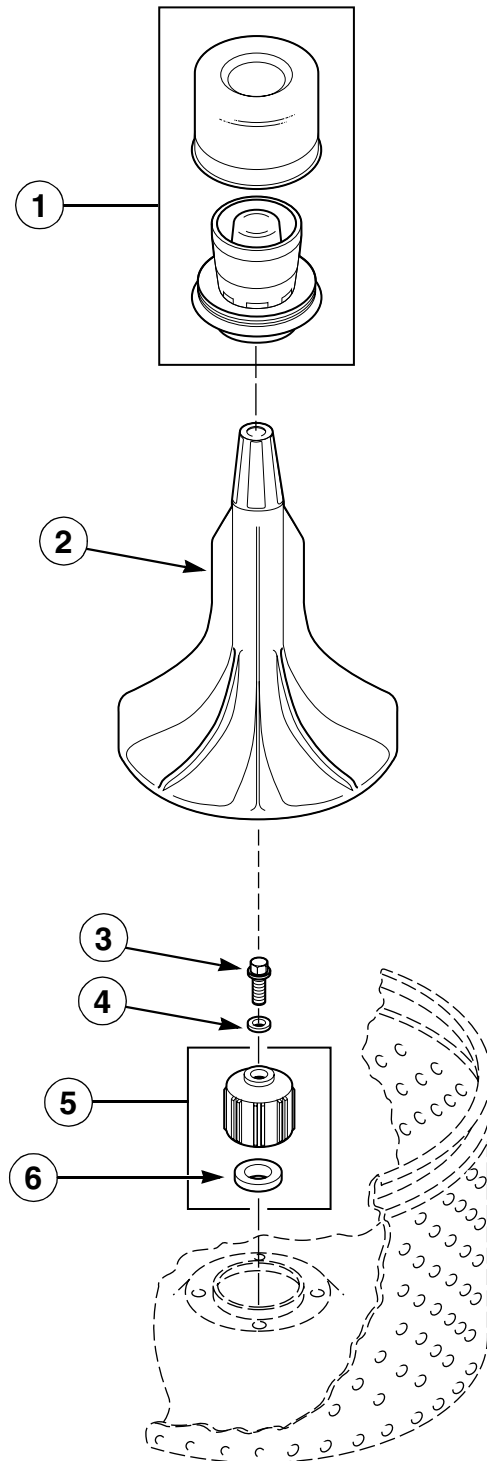
# Mixing Valve Assembly

REF	PART NO.	DESCRIPTION	COMMENTS
1	24128	Sleeve	Long; N/A
2	25817C	Screw	N/A
3	33930	Mixing Valve Assembly	
4	24158	Mounting Bracket	N/A
5	24130	Armature Guide	N/A
6	24132	Armature	N/A
7	F270200	Inlet Screen	
8	24159	Valve Body	N/A
9	24134	Diaphragm	N/A
10	24131	Spring	N/A
11	24129	Sleeve	Short; N/A
12	24126	Solenoid	N/A

N/A – Part no longer available

# Agitator, Drive Bell and Seal Seat

Short Post Models



W215P

# Agitator, Drive Bell and Seal Seat

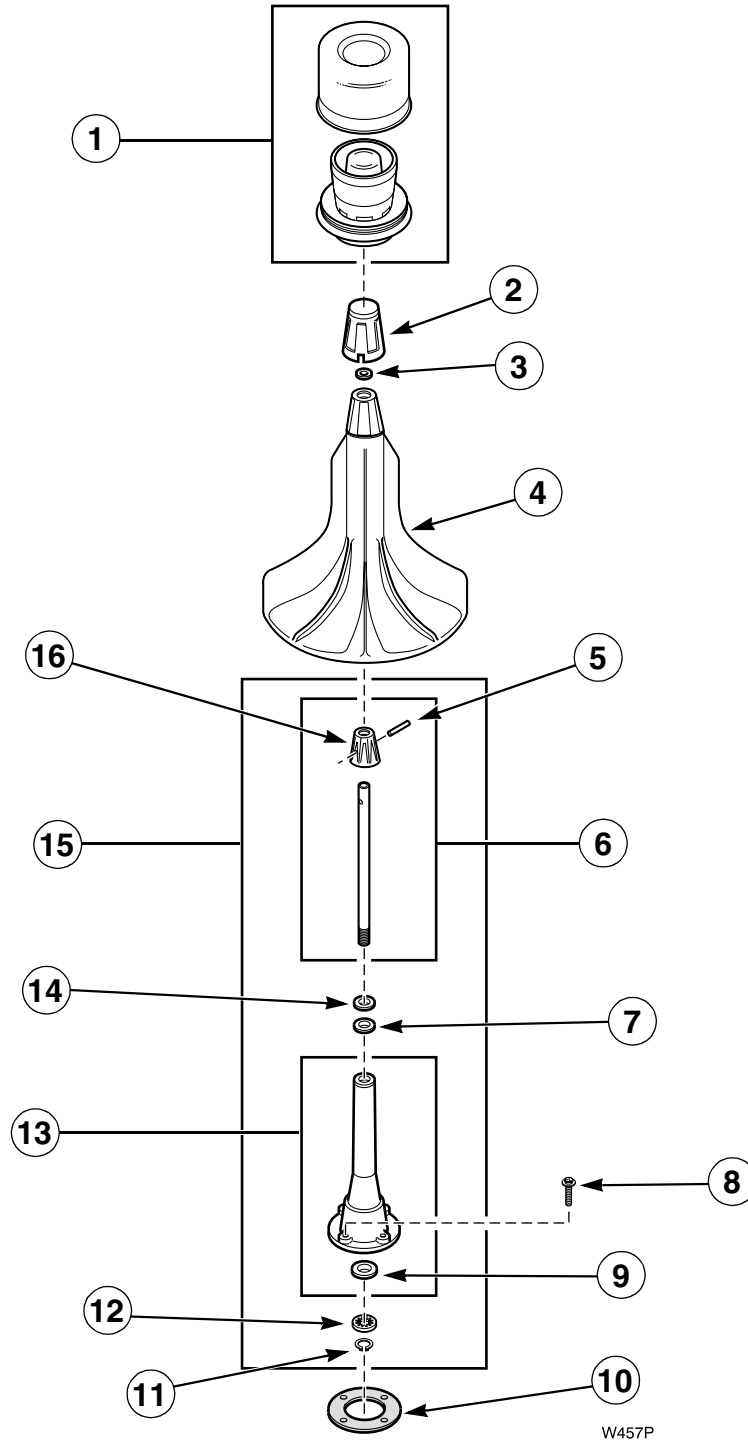
Short Post Models

REF	PART NO.	DESCRIPTION	COMMENTS
1	33510	Fabric Softener Dispenser	Optional on some models
2	33514	Agitator	
3	30852	Screw	N/A
4	30853	O-Ring Washer	N/A
5	39508P	Drive Bell and Seal Seat Assembly	
6	30021	Seal Seat	N/A

N/A – Part no longer available

# Agitator and Post

Long Post Models





# Agitator and Post

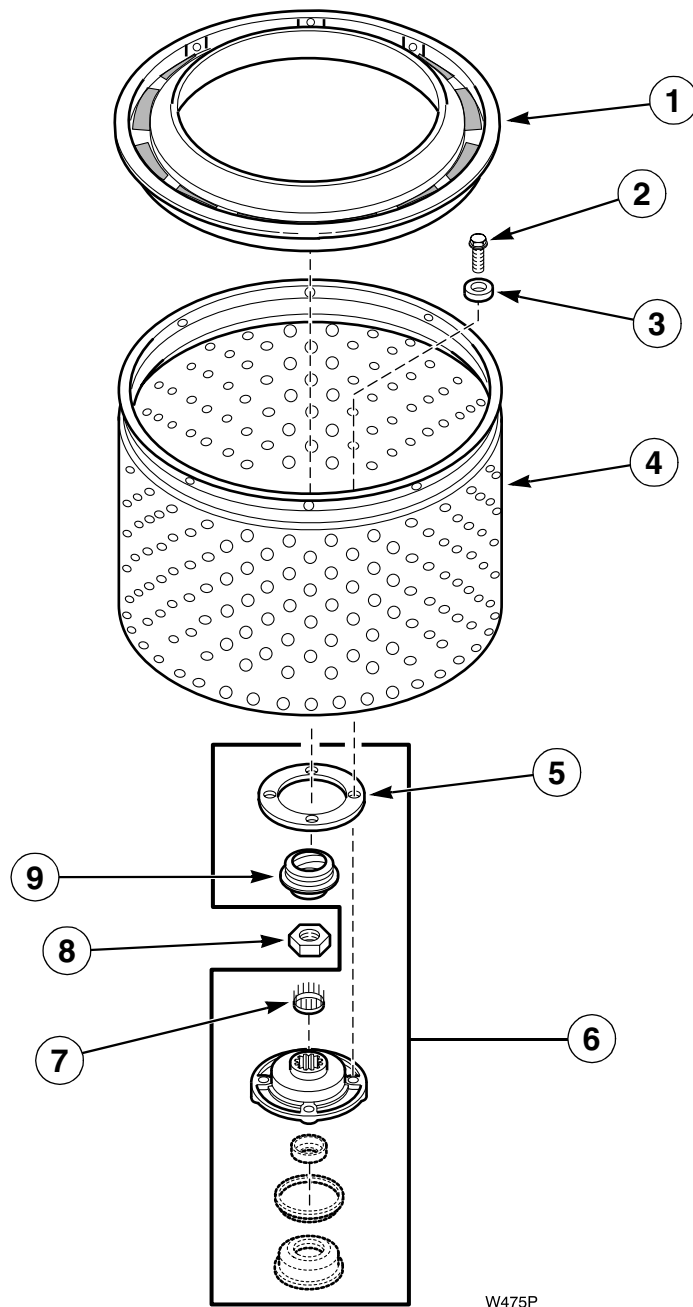
Long Post Models

REF	PART NO.	DESCRIPTION	COMMENTS
1	27707	Fabric Softener Dispenser	Optional on some models; N/A
2	27138	Hold-Down Cap	N/A
3	27189	Washer	N/A
4	27120	Agitator	
5	20243	Taper Pin	
6	28091	Drive Shaft and Block	
7	04704	Washer	Stainless Steel
8	27202	Cap Screw	
9	10429	Thrust Washer	N/A
10	27020	Gasket	Use with Part No. 28933 Agitator Post or 28934 Agitator Post Assembly
	37577P	Loctite	Use with item 13 or 15
11	27197	Retainer Ring	
12	27164	Washer	N/A
13	28933	Agitator Post	
14	20057	Washer	
15	28934	Agitator Post Assembly	
16	28091	Drive Block	

N/A – Part no longer available

# Lint Filter, Washtub and Hub

Models BA4121, BA4120 and BA3110



W475P

# Lint Filter, Washtub and Hub

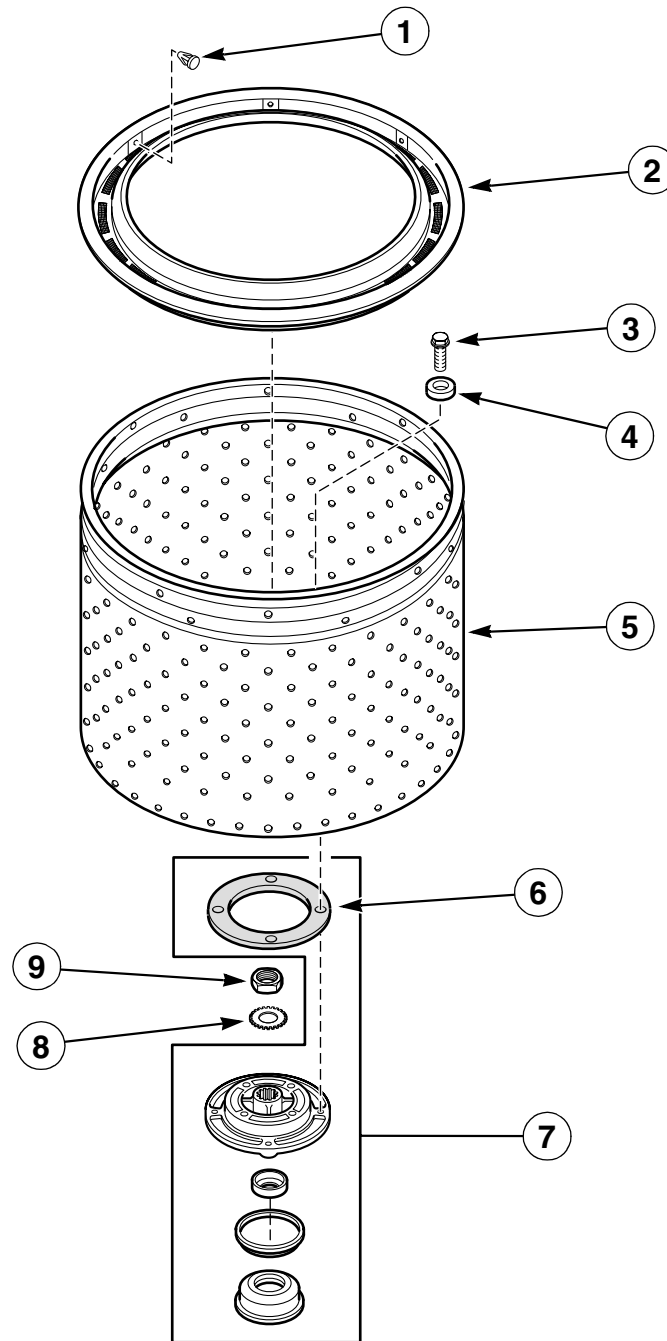
Models BA4121, BA4120 and BA3110

REF	PART NO.	DESCRIPTION	COMMENTS
1	33521	Lint Filter	
2	27202	Cap Screw	
3	28094	Gasket	
4	39252P	Washtub	Porcelain
	39387P	Washtub	Stainless Steel
5	39122	Gasket	
6	495P3	Hub and Seal Kit	Includes Part No. 27184 Cover Gasket and 30021 Seal Seat (N/A)
7	29728	Spline Insert	
8	29220	Locknut	
9	30022	Seal Head	N/A

**N/A – Part no longer available**

# Lint Filter, Washtub and Hub

Models BA2411, BA2410 and BA2300



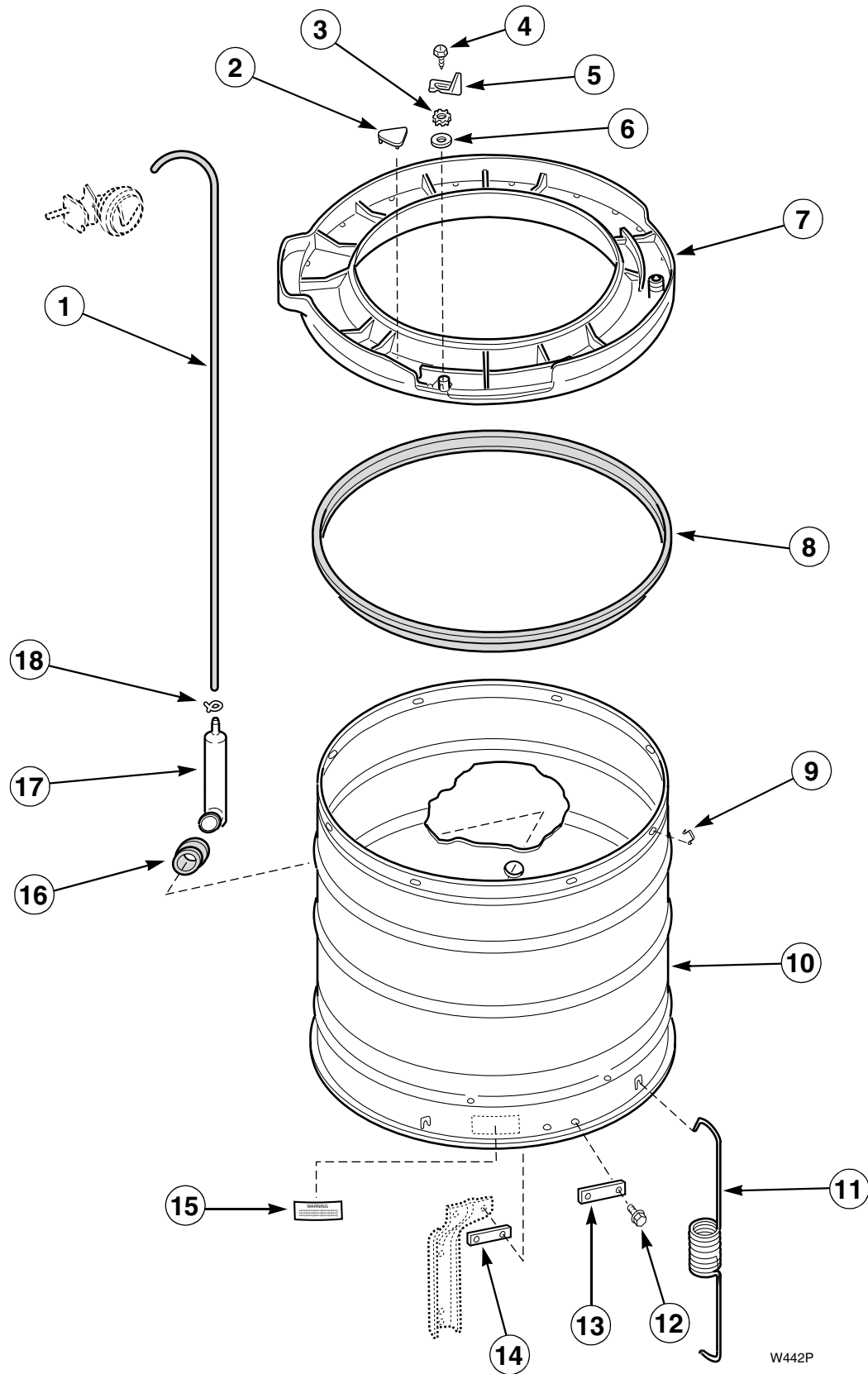
W459P

# Lint Filter, Washtub and Hub

Models BA2411, BA2410 and BA2300

REF	PART NO.	DESCRIPTION	COMMENTS
1	29474	Fastener	
2	33521	Lint Filter	
3	27202	Cap Screw	
4	28094	Gasket	
5	39252P	Washtub	Porcelain
	39387P	Washtub	Stainless Steel
6	39122	Gasket	
7	356P3	Hub and Seal Kit	Includes Part No. 27184 Cover Gasket
8	27163	Lockwasher	
9	29220	Hex Nut	

# Outer Tub, Cover and Pressure Hose



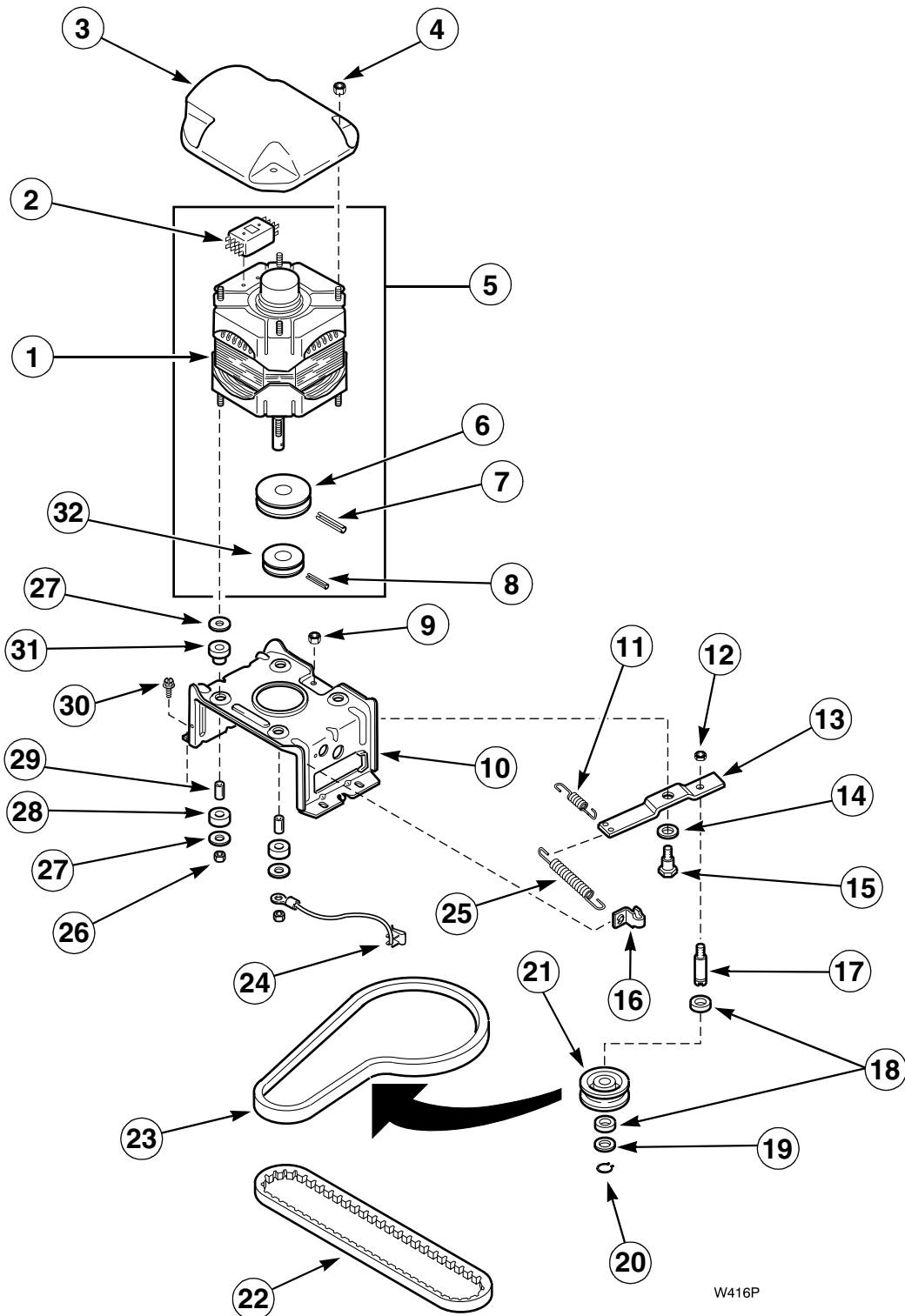
W442P

## Outer Tub, Cover and Pressure Hose

REF	PART NO.	DESCRIPTION	COMMENTS
1	39125	Pressure Hose	
2	29901	Plug	
3	03815	Lockwasher	
4	503661	Screw	
5	27247	Trigger	N/A
6	23425	Washer	N/A
7	31153	Outer Tub Cover	Includes item 2
8	27184	Cover Gasket	Included with Part No. 356P3 or 495P3 Hub and Seal Kit
9	27017	Spring Clip	
10	507P3	Outer Tub	Model BA2110
	30508	Outer Tub	All other models
11	27239	Centering Spring	
12	35369	Screw and Lockwasher	
13	27926	Leg Plate	.063 inch thick
14	27927	Leg Plate	.032 inch thick
15	27195	Sticker	N/A
16	29175	Grommet	
17	30907	Pressure Accumulator	
18	39282	Hose Clamp	

**N/A – Part no longer available**

# Motor, Mounting Brackets, Belts and Idler Assembly



W416P



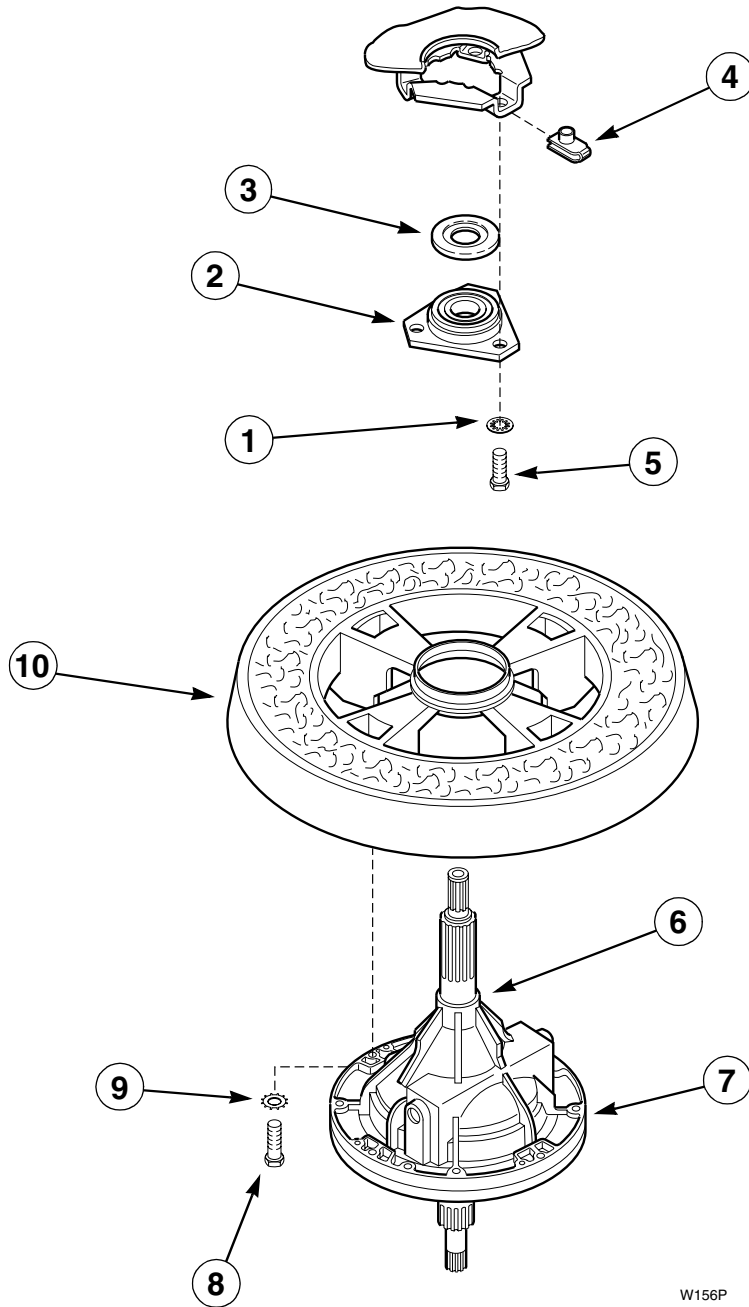
# Motor, Mounting Brackets, Belts and Idler Assembly

REF	PART NO.	DESCRIPTION	COMMENTS
	258P3	Capacitor Kit	For use in areas where low voltage exists
	20605	Hi-Temp Lube	Use on idler shaft
1	30897	Motor	1 Speed; Must order 27658P Motor Assembly
	30895	Motor	2 Speed; Must order 27179P Motor Assembly
2	24139	Motor Switch	For Emerson Motor No. 30895
	24140	Motor Switch	For Emerson Motor No. 30897
	30895A	Motor Switch	For General Electric Motor No. 30895
	30897AP	Motor Switch	For General Electric Motor No. 30897
3	27136	Motor Shield	
4	27201	Locknut	
5	27658P	Motor Assembly	1 Speed; 120 Volt/60 Hertz/1 Phase; Models BA2300 and BA3110
	27179P	Motor Assembly	2 Speed; 120 Volt/60 Hertz/1 Phase; All other models
6	27171	Motor Pulley	N/A
7	23750	Roll Pin	N/A
8	10416	Roll Pin	
9	52566	Locknut	
10	28791	Motor Mounting Bracket	
11	30620	Helper Spring	
12	28803	Locknut	
13	31054	Idler Lever	
14	81392	Washer	
15	27229	Shoulder Bolt	
16	28849	Clip	
17	28802	Idler Shaft	
18	29443	Washer	Felt
19	52549	Washer	Nylatron
20	23748	Retainer Ring	
21	28800	Idler Pulley	
22	27155	Belt	Pump
23	28808	Belt	Agitate and spin
24	00161	Ground Clip	
25	37366	Spring	
26	23604	Locknut	
27	03888	Washer	
28	01953	Rubber Motor Mount	Lower; N/A
29	27181	Spacer	N/A
30	503661	Screw	
31	01952A	Rubber Motor Mount	Upper; N/A
32	27104	Motor Pulley	Pump

N/A – Part no longer available

# Transmission Assembly and Balance Ring

Short Post Models



W156P

# Transmission Assembly and Balance Ring

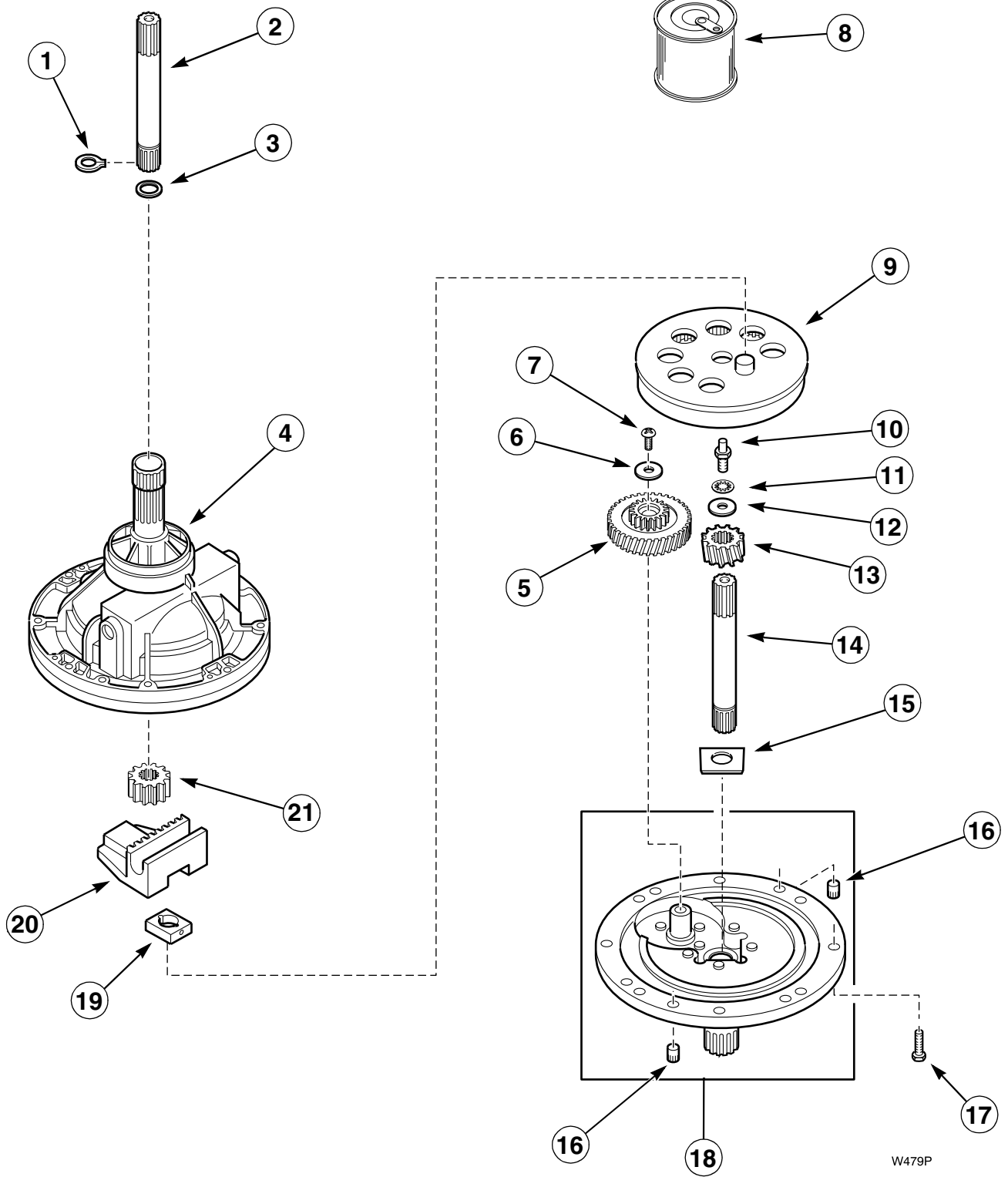
Short Post Models

REF	PART NO.	DESCRIPTION	COMMENTS
1	04366	Lockwasher	
2	27182	Bearing Housing Assembly	Upper
3	27187	Flinger	
4	27222	Retainer Nut	
5	M400057	Cap Screw	
6	27604P	Anti-Seize Compound	Apply to lower and upper transmission tubes
7	33227P	Transmission Assembly	
8	27200	Cap Screw	N/A
9	02431	Lockwasher	
10	34731	Balance Ring	

**N/A – Part no longer available**

# Components for 33227P Transmission Assembly

Short Post Models



W479P

# Components for 33227P Transmission Assembly

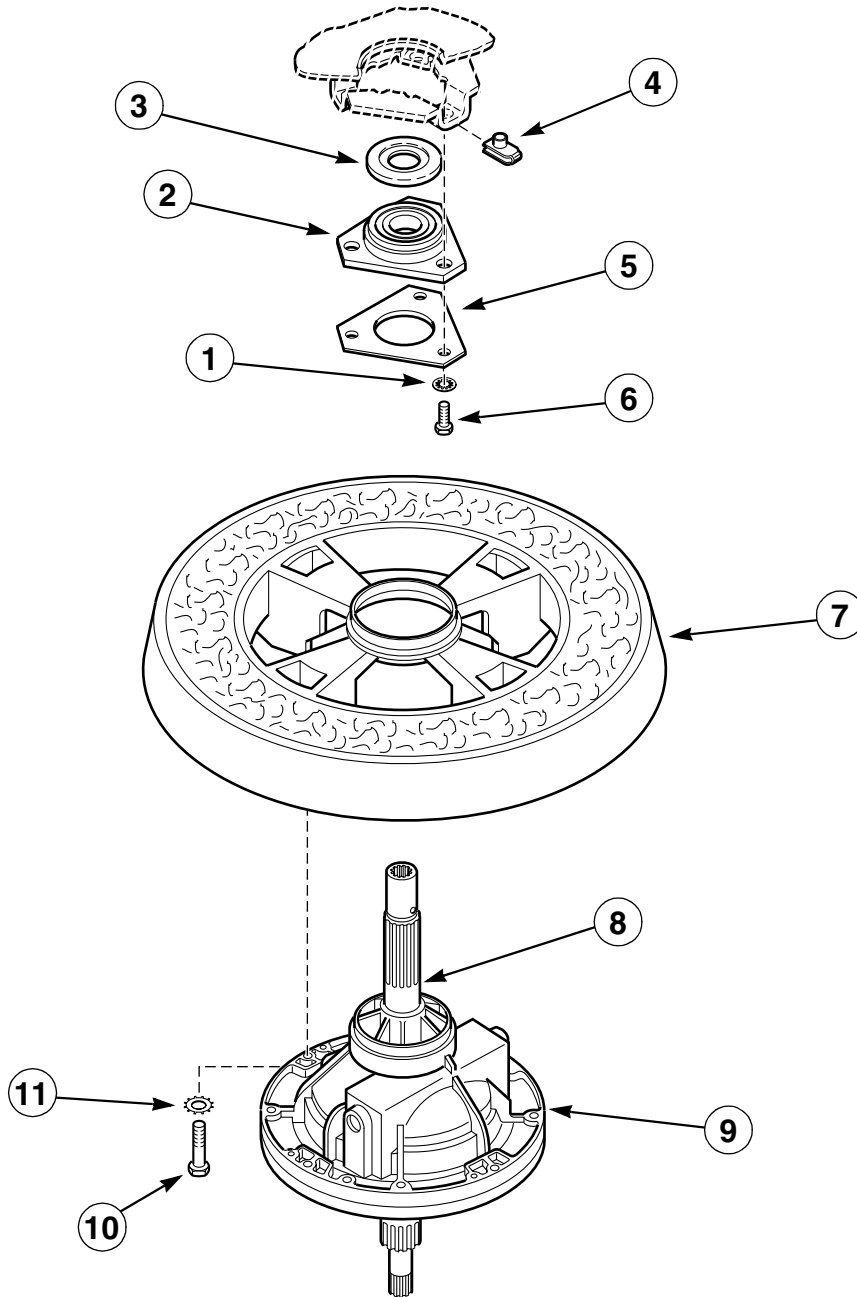
Short Post Models

REF	PART NO.	DESCRIPTION	COMMENTS
1	27197	Retainer Ring	
2	36570	Output Shaft	
3	20212	Washer	
4	33223	Transmission Case Assembly	
5	29161	Reduction Gear	
6	29260	Washer	
7	29273	Screw	
8	27243P	Transmission Oil	1 fill
9	26577	Internal Gear	
10	27030	Special Screw	
11	21456	Lockwasher	
12	26509	Washer	
13	36562	Drive Pinion	
14	27081	Shaft	Input
15	27016	Washer	N/A
16	27172	Dowel Pin	
17	31709	Cap Screw	N/A
18	38287P	Transmission Cover Assembly	
19	26493	Slide	
20	31526	Rack	
21	27003	Agitator Pinion	

**N/A – Part no longer available**

# Transmission Assembly and Balance Ring

Long Post Models



W465P

# Transmission Assembly and Balance Ring

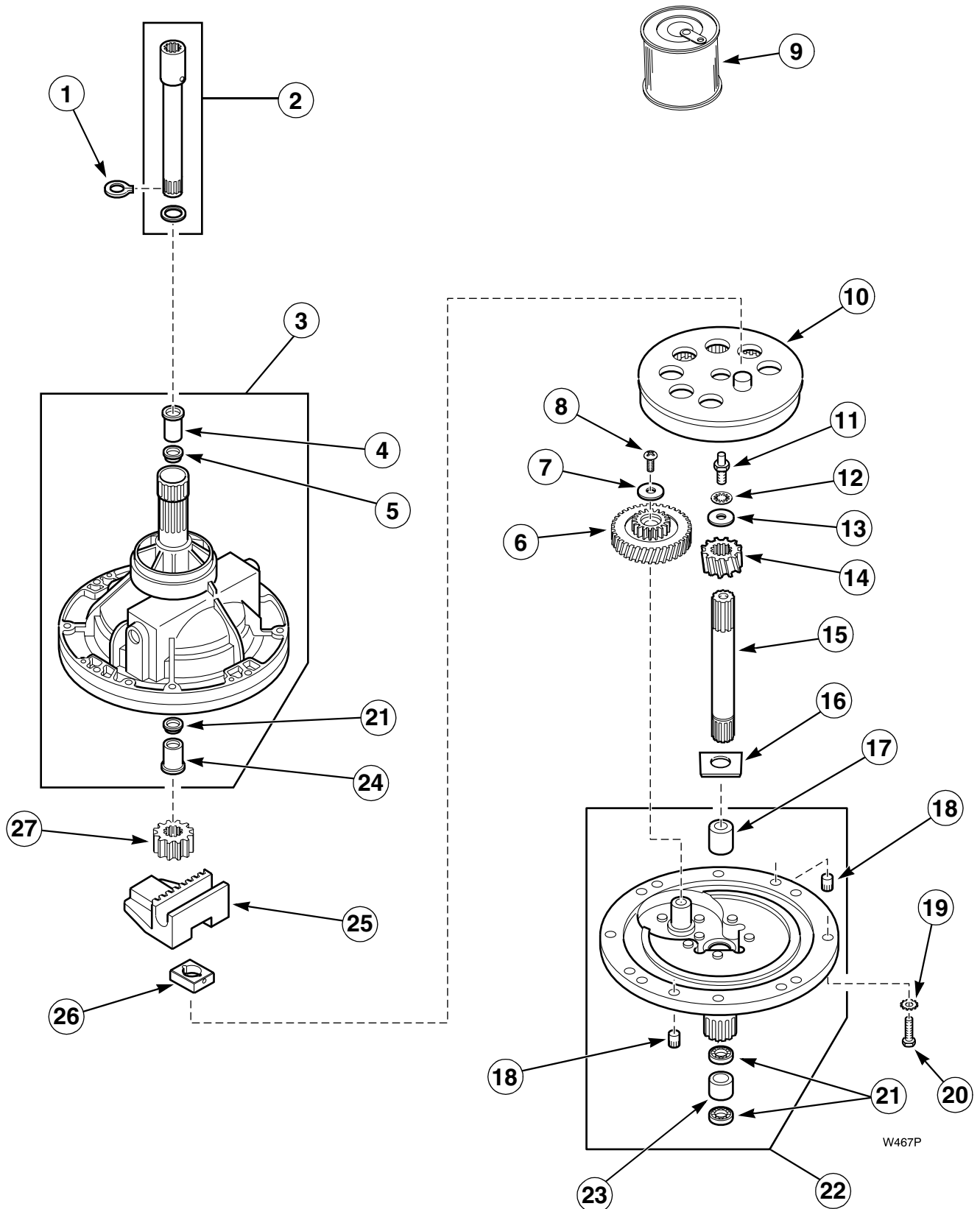
Long Post Models

REF	PART NO.	DESCRIPTION	COMMENTS
1	04366	Lockwasher	
2	27182	Bearing Housing Assembly	Upper
3	27187	Flinger	
4	27222	Retainer Nut	
5	27166	Washer	N/A
6	M400057	Cap Screw	
7	34731	Balance Ring	
8	27604P	Never Seeze	Apply to the upper and lower transmission tubes
9	30946P	Transmission Assembly	
10	27200	Cap Screw	N/A
11	02431	Lockwasher	

N/A – Part no longer available

# Components for 30946P Transmission Assembly

Long Post Models





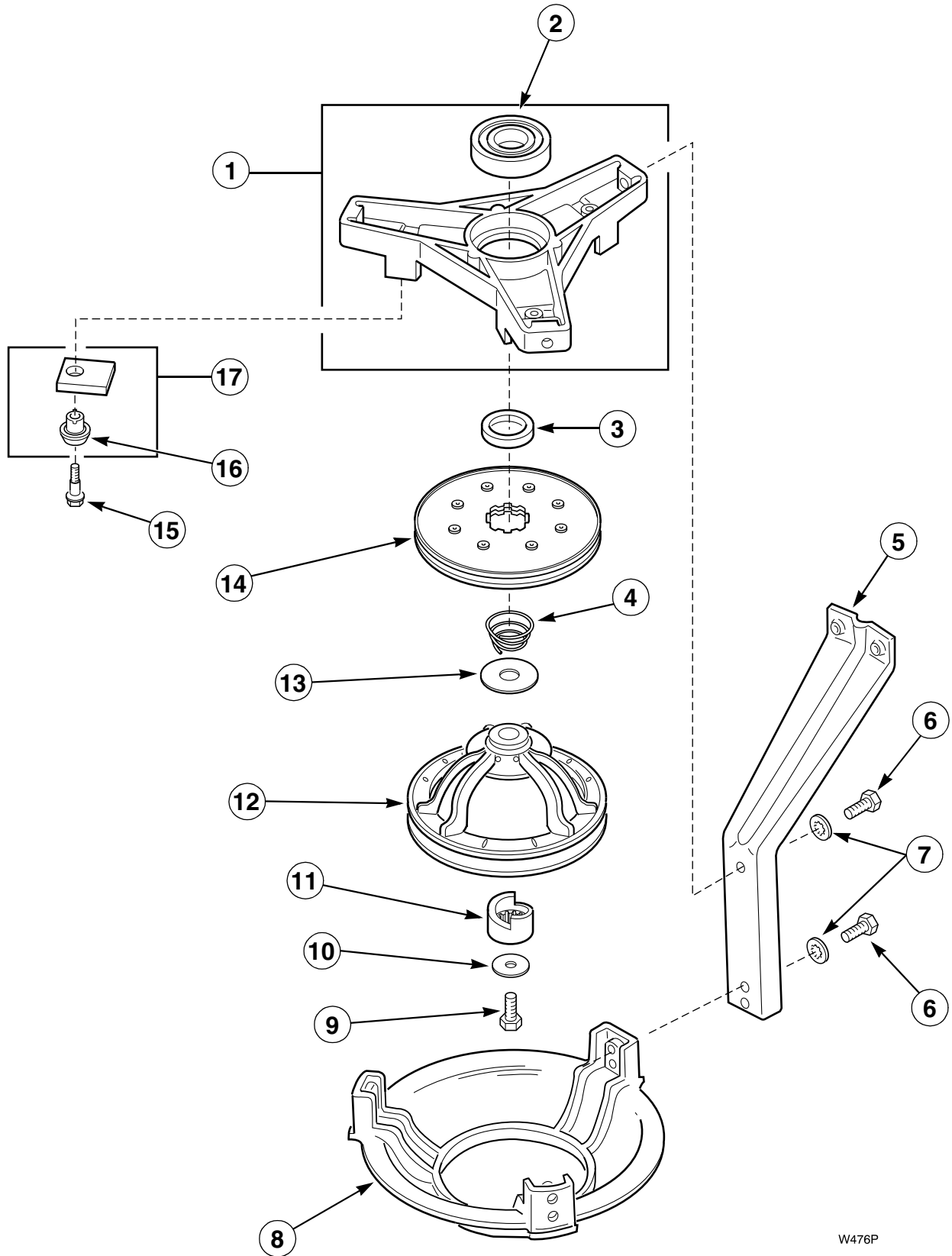
# Components for 30946P Transmission Assembly

Long Post Models

REF	PART NO.	DESCRIPTION	COMMENTS
	37577P	Loctite	Use as a sealant between transmission case and cover
1	27197	Retainer Ring	
2	368P3	Coupling and Shaft Kit	
3	33223	Transmission Case Assembly	
4	36107P	Bearing	
5	28114	Seal	
6	29161	Reduction Gear	
7	29260	Washer	
8	29273	Screw	
9	27243P	Transmission Oil	1 fill
10	26577	Internal Gear	
11	27030	Special Screw	
12	21456	Lockwasher	
13	26509	Washer	
14	36562	Drive Pinion	
15	27081	Shaft	Input
16	27016	Washer	N/A
17	30893	Roller Clutch	N/A
18	27172	Dowel Pin	
19	02431	Lockwasher	
20	20253	Cap Screw	
21	28114	Seal	
22	38287P	Transmission Cover Assembly	
23	27022	Sleeve Bearing	
24	27021	Bearing	
25	31526	Rack	
26	26493	Slide	
27	27003	Agitator Pinion	

N/A – Part no longer available

# Bearing Housing, Brake, Pulley and Pivot Dome

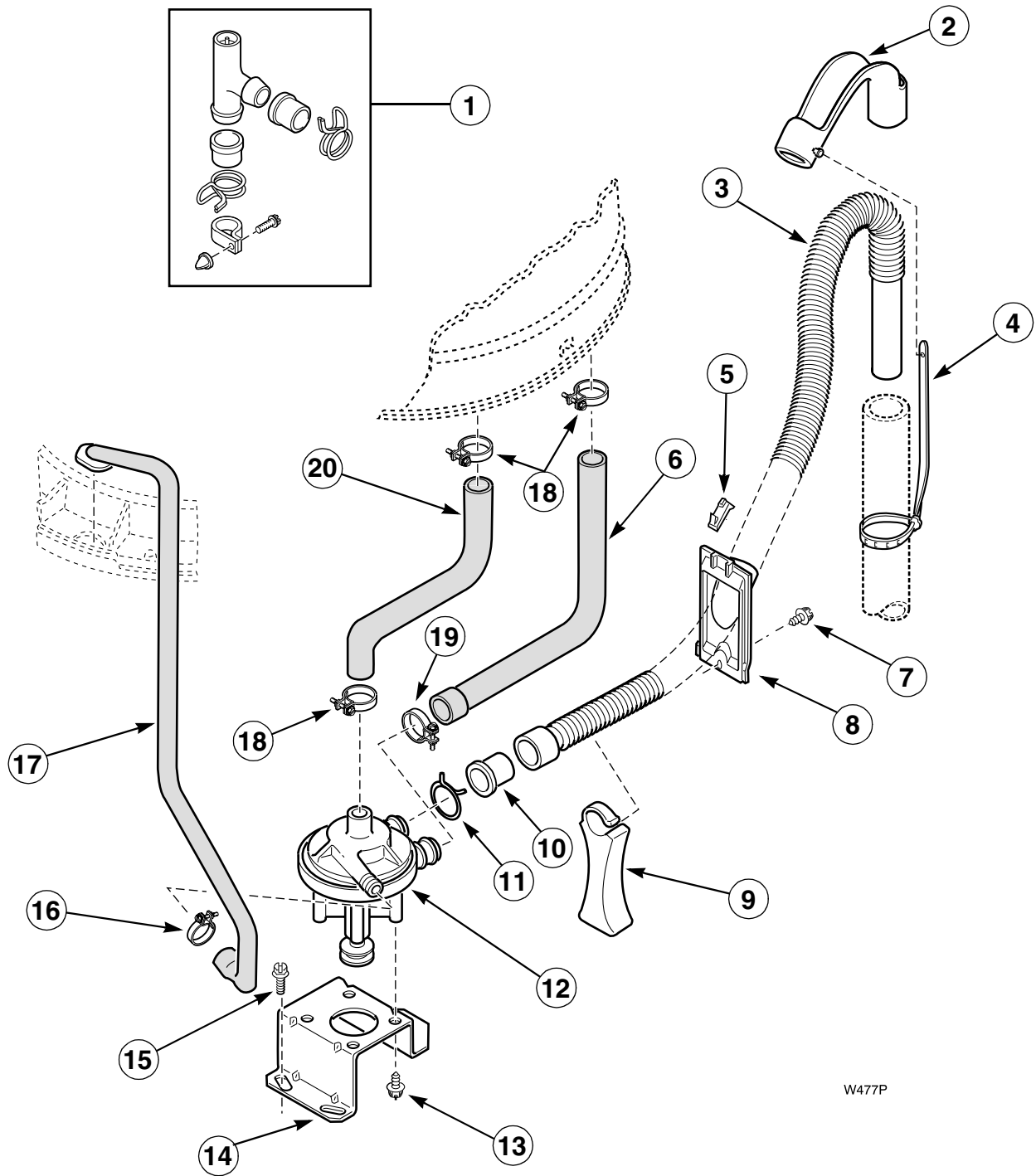


W476P

# Bearing Housing, Brake, Pulley and Pivot Dome

REF	PART NO.	DESCRIPTION	COMMENTS
1	35746	Bearing Housing Assembly	Lower
2	28944R	Bearing	
3	27176	Spacer	
4	33435	Spring	
5	27090	Leg	
6	35369	Cap Screw	
7	04366	Lockwasher	
8	27124	Pivot Dome	
9	27220	Screw	
10	26509	Washer	
11	27018	Helix	
12	34232P	Pulley Assembly	
13	27015	Washer	
14	38505P	Brake Assembly	
15	26547	Shoulder Screw	
16	29993	Sleeve	
17	548P3	Brake Pad Kit	Includes sleeves and 3 pads

# Pump Assembly, Bracket, Hoses and Siphon Break Kit



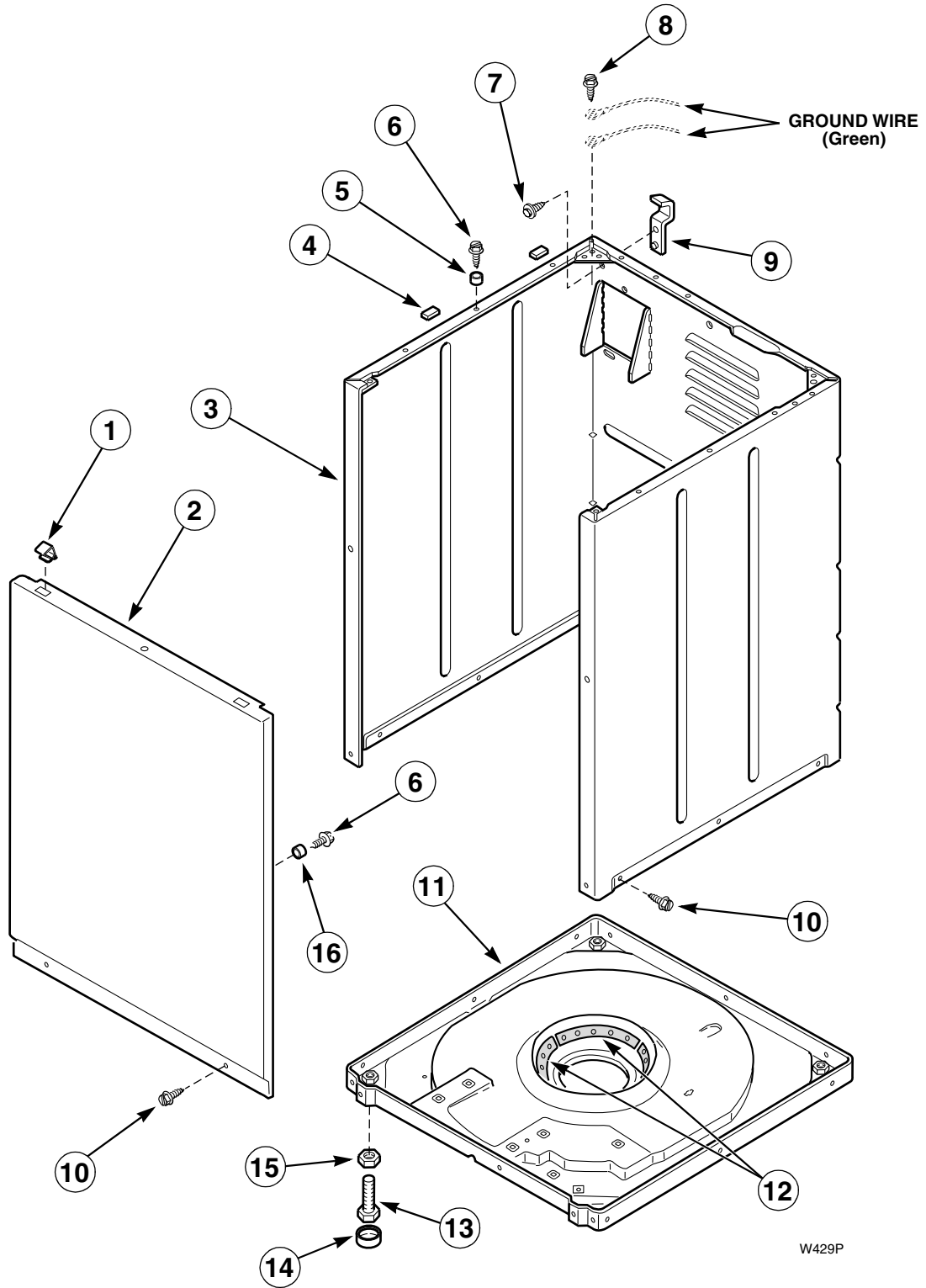
W477P

## Pump Assembly, Bracket, Hoses and Siphon Break Kit

REF	PART NO.	DESCRIPTION	COMMENTS
	406P3	Drain Extension Kit	Use with Part No. 20616 Drain Hose; Order by the foot as required
1	562P3	Siphon Break Kit	Must be installed in drain hose if the drain receptacle is lower than the cabinet top of the washer
2	29144	Drain Hose Sleeve	N/A
3	39952	Drain Hose	
4	33489	Tie-Down Strap	
5	29936	Hose Retainer Clip	N/A
6	27160	Hose	
7	27196	Screw	
8	29131	Hose Retainer	N/A
9	29284	Hose Support	Mounts to washer base; N/A
10	29143	Hose Adapter	N/A
11	29172	Hose Clamp	N/A
12	31968	Pump Assembly	
13	31098	Screw	
14	27105	Mounting Bracket	
15	503661	Screw	
16	27644	Hose Clamp	
17	27232	Recirculating Hose	N/A
18	20391	Hose Clamp	
19	20211	Hose Clamp	
20	27159	Hose	

N/A – Part no longer available

# Front Panel, Cabinet and Base



W429P

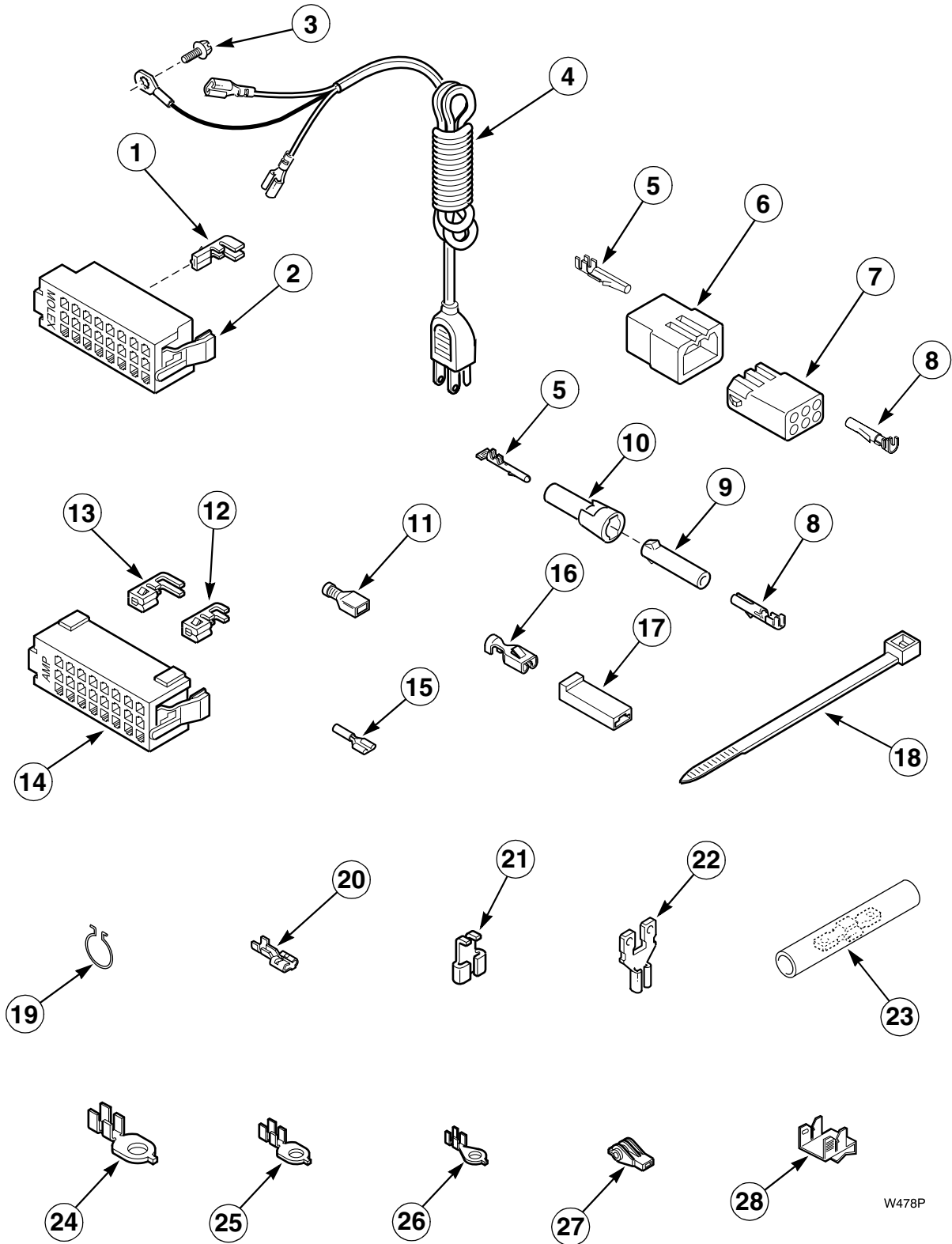
## Front Panel, Cabinet and Base

REF	PART NO.	DESCRIPTION	COMMENTS
	26594P	Silicone Lubricant	For pads in base
<b>1</b>	28835	Hold-Down Clip	
<b>2</b>	32708*P	Front Panel	N/A in Harvest Gold
<b>3</b>	38612*P	Cabinet	N/A in Harvest Gold
<b>4</b>	56128	Bumper Pad	
<b>5</b>	56079	Guide Lug	
<b>6</b>	32671	Screw	
<b>7</b>	51780	Screw	
<b>8</b>	23962	Screw	
<b>9</b>	27103	Hinge	
<b>10</b>	27196	Screw	
<b>11</b>	31653P	Base Assembly	Includes snubber pads
<b>12</b>	434P3	Snubber Pad Kit	Includes 4 pads
<b>13</b>	34319	Leveling Leg	
<b>14</b>	21749	Rubber Pad	
<b>15</b>	21899	Locknut	
<b>16</b>	28102	Guide Lug	

\* Add letter to designate color:    **H - Harvest Gold**    **L - Almond**    **W - White**

**N/A – Part no longer available**

# Power Cord and Wire Terminals



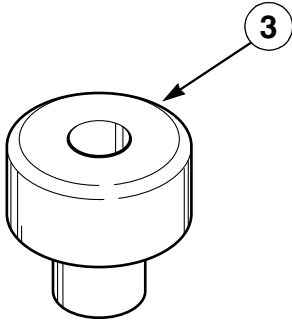
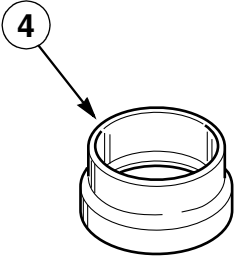
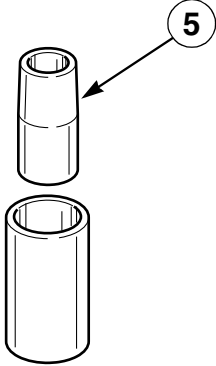
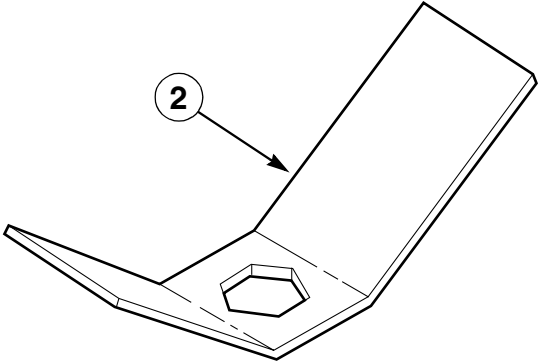
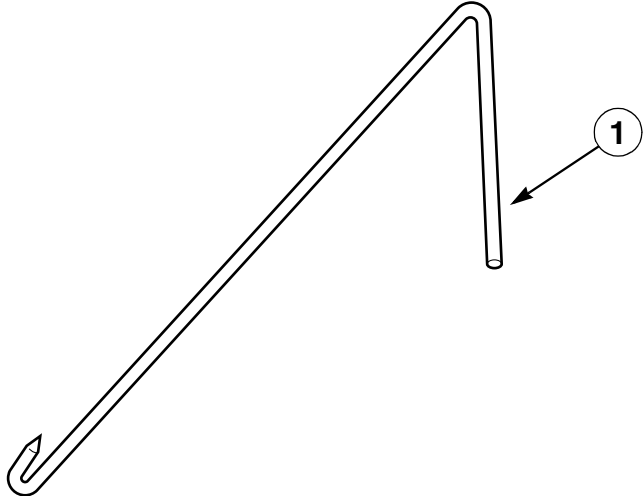
W478P



## Power Cord and Wire Terminals

REF	PART NO.	DESCRIPTION	COMMENTS
1	00188	Molex Terminal	Used for 1 or 2 wire application
2	32746	Molex Housing	
3	52909	Screw	
4	34458	Power Cord and Plug	
5	00116	Terminal	Male
6	23041	Terminal Block	
7	26708	Terminal Block	
8	00117	Terminal	Female
9	26302	Terminal Block Plug	
10	26301	Terminal Block Receptacle	
11	00234	Insulated Spade Terminal	1/4 inch
	00165	Insulated Spade Terminal	3/16 inch
12	00180	Amp Terminal	1 wire
13	00183	Amp Terminal	2 wire
14	28856	Amp Housing	
15	00215	Barrel Insulated Spade Terminal	12 gauge
	00214	Barrel Insulated Spade Terminal	18 gauge
16	00115	Lock-In Spade Terminal	
17	90789	Connector	
18	55881	Wire Tie	
19	51291	Wire Clip	
20	00223	Spade Terminal	(1) 18 gauge wire
	00121	Spade Terminal	(2) 18 gauge wires or (1) 12 gauge wire
21	00120	Right Angle Flag Terminal	
22	29673	Double Connector	
23	21091	Connector	
24	00113	Eyelet Terminal	1/4 inch ring
25	00111	Eyelet Terminal	Large shank; (2) 18 gauge wires
26	00110	Eyelet Terminal	Small shank; (1) 18 gauge wire
27	70210	Plastic Insulator	
28	00161	Ground Clip	

# Special Tools



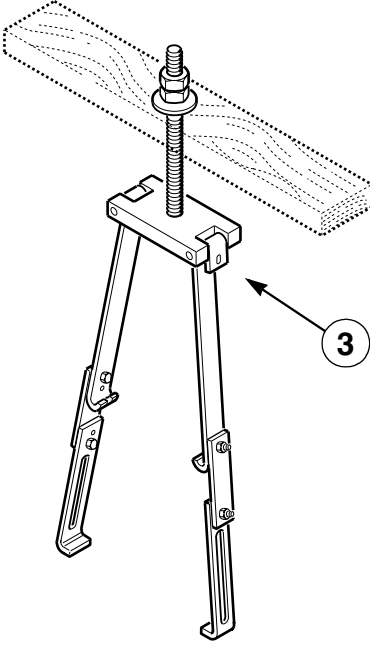
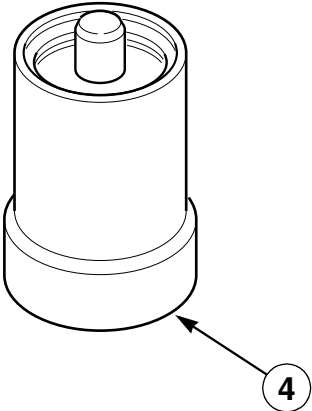
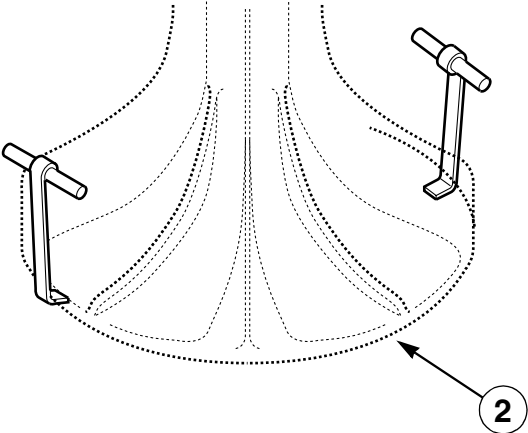
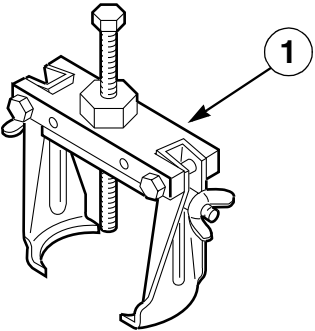
W415P

## Special Tools

REF	PART NO.	DESCRIPTION	COMMENTS
1	321P4	Spring Hook	Use to remove 5 centering springs from outer tub
2	306P4	Hex Wrench	Use to remove hex locknut from washtub hub
3	230P4	Guide Spindle	Use to remove hub from transmission; Long post models only; N/A
4	241P4	Seal Installer	Use to install Part No. 356P3 Washer Seal Kit; Long post models only; N/A
5	242P4	Brake Spring Installer	Use to install brake spring

**N/A – Part no longer available**

# Special Tools



W418P

# Special Tools

<b>REF</b>	<b>PART NO.</b>	<b>DESCRIPTION</b>	<b>COMMENTS</b>
1	294P4	Bell Tool	Use to remove and install drive bell to transmission shaft; Short post models only
2	254P4	Agitator Hooks	Set of 2; Use to remove agitator from drive bell by hand; Short post models only
3	256P4	Agitator Puller	Use to remove agitator from drive bell; Short post models only; N/A
4	255P4	Seal Tool	Use to install the seal seat and the seal head; Short post models only; N/A

N/A – Part no longer available

# Parts Index

## A

Action Switch	21302	7
Agitator	27120	23
	33514	21
Agitator Hooks	254P4	51
Agitator Pinion	27003	35, 39
Agitator Post	28933	23
Agitator Post Assembly	28934	23
Agitator Puller	256P4	51
Amp Housing	28856	47
Amp Terminal	00180	47
	00183	47
Anti-Seize Compound	27604P	33
Armature	24132	19
Armature Guide	24130	19

## B

Back Flow Preventer	34280	15, 17
Balance Ring	34731	33, 37
Barrel Insulated Spade Terminal	00214	47
	00215	47
Base Assembly	31653P	45
Bearing	27021	39
	28944R	41
	36107P	39
Bearing Housing Assembly	27182	33, 37
	35746	41
Bell Tool	294P4	51
Belt	27155	31
	28808	31
Bleach Dispenser	34776	9, 11
Bracket	27250	13
Brake Assembly	38505P	41

Brake Pad Kit	548P3	41
Brake Spring Installer	242P4	49
Bumper	21685	9, 11
Bumper Pad	56128	45
Bushing	27625	9, 11

## C

Cabinet	38612P	45
Cabinet Top	27662	11
	27663	11
	32808P	9
Cap Screw	M400057	33, 37
	20253	39
	27200	33, 37
	27202	23, 25, 27
	31709	35
	35369	41
Capacitor Kit	258P3	31
Catch	27149	9, 11
Centering Spring	27239	29
Clip	10519	5, 7
	28849	31
Connector	21091	47
	90789	47
Control5		
Control Hood	29551	11
Control Hood Assembly	31735	5
Control Hood End	25123	7
	25124	7
Control Hood Rear Panel	37782	9
Control Knob Assembly	28124	7
	31287	5
Control Panel	28999	7
	29000	7
Coupling and Shaft Kit	368P3	39
Cover Gasket	27184	29

---

**D**

Diaphragm	
24134 .....	19
Double Connector	
29673 .....	47
Dowel Pin	
27172 .....	35, 39
Drain Extension Kit	
406P3 .....	43
Drain Hose	
39952 .....	43
Drain Hose Sleeve	
29144 .....	43
Drive Bell and Seal Seat Assembly	
39508P .....	21
Drive Block	
28091 .....	23
Drive Pinion	
36562 .....	35, 39
Drive Shaft and Block	
28091 .....	23

---

**E**

End Cap	
34459 .....	5
34460 .....	5
Eyelet Terminal	
00110 .....	47
00111 .....	47
00113 .....	47

---

**F**

Fabric Softener Dispenser	
27707 .....	23
33510 .....	21
Fastener	
29474 .....	27
Fiber Washer	
20493 .....	7, 11
Filter Washer	
28605 .....	15, 17
Flinger	
27187 .....	33, 37
Front Panel	
32708P .....	45

---

**G**

Gasket	
23028 .....	11
27020 .....	23
28094 .....	25, 27
39122 .....	25, 27
Graphic Panel	
31205 .....	5
31207 .....	5

Grommet	
29175 .....	29
Ground Clip	
00161 .....	31, 47
Guide Lug	
28102 .....	45
56079 .....	45
Guide Spindle	
230P4 .....	49

---

**H**

Helix	
27018 .....	41
Helper Spring	
30620 .....	31
Hex Head Screw	
23962 .....	7
Hex Nut	
29220 .....	27
Hex Wrench	
306P4 .....	49
Hinge	
27103 .....	45
27626 .....	9, 11
Hi-Temp Lube	
20605 .....	31
Hold-Down Cap	
27138 .....	23
Hold-Down Clip	
28835 .....	45
Hose	
27159 .....	43
27160 .....	43
27183 .....	15, 17
29182 .....	17
31140 .....	15
Hose Adapter	
29143 .....	43
Hose Clamp	
20211 .....	15, 17, 43
20391 .....	43
27644 .....	43
29172 .....	43
29210 .....	15, 17
35370 .....	15, 17
36801 .....	15, 17
39282 .....	29
Hose Retainer	
29131 .....	43
Hose Retainer Clip	
29936 .....	43
Hose Support	
29284 .....	43
Hose Washer	
20290 .....	15, 17
Hub and Seal Kit	
356P3 .....	27
495P3 .....	25

---

**I**

Idler Lever	
31054 .....	31
Idler Pulley	
28800 .....	31
Idler Shaft	
28802 .....	31
Inlet Hose	
28330 .....	17
28330P .....	15
Inlet Screen	
F270200 .....	19
Insulated Spade Terminal	
00165 .....	47
00234 .....	47
Internal Gear	
26577 .....	35, 39

---

**L**

Leg	
27090 .....	41
Leg Plate	
27926 .....	29
27927 .....	29
Leveling Leg	
34319 .....	45
Lever	
27602 .....	13
Lint Filter	
33521 .....	25, 27
Loading Door	
27665 .....	11
31315 .....	9
Lock-In Spade Terminal	
00115 .....	47
Locknut	
21899 .....	45
23604 .....	31
27201 .....	31
28803 .....	31
29220 .....	25
52566 .....	31
Lockwasher	
02431 .....	33, 37, 39
03815 .....	11, 29
04366 .....	33, 37, 41
21456 .....	35, 39
27163 .....	27
91176 .....	7
Loctite	
37577P .....	23, 39

---

**M**

Mixing Valve Assembly	
33930 .....	19
Mixing Valve Mounting Bracket	
39407 .....	15, 17
Molex Housing	
32746 .....	47

Molex Terminal	
00188 .....	47
Motor	
30895 .....	31
30897 .....	31
Motor Assembly	
27179P .....	31
27658P .....	31
Motor Mounting Bracket	
28791 .....	31
Motor Pulley	
27104 .....	31
27171 .....	31
Motor Shield	
27136 .....	31
Motor Switch	
24139 .....	31
24140 .....	31
30895A .....	31
30897AP .....	31
Mounting Bracket	
24158 .....	19
27105 .....	43

---

**N**

Never Seeze	
27604P .....	37
Nut	
03673 .....	11
57584 .....	5, 7
Nylon Nut	
21752 .....	9, 11

---

**O**

O-Ring Washer	
30853 .....	21
Outer Tub	
30508 .....	29
507P3 .....	29
Outer Tub Cover	
31153 .....	29
Output Shaft	
36570 .....	35

---

**P**

Panel Support Bracket	
23360 .....	7
Phillips Head Screw	
25232 .....	7
Pivot Dome	
27124 .....	41
Plastic Insulator	
70210 .....	47
Plug	
29901 .....	29
Power Cord and Plug	
34458 .....	47



Pressure Accumulator	
30907 .....	29
Pressure Hose	
39125 .....	29
Pressure Switch	
27778 .....	7
31266 .....	5
Pulley Assembly	
34232P .....	41
Pump Assembly	
31968 .....	43
Pushnut	
29043 .....	13

## R

Rack	
31526 .....	35, 39
Recirculating Hose	
27232 .....	43
Reduction Gear	
29161 .....	35, 39
Retainer Nut	
27222 .....	33, 37
Retainer Ring	
23748 .....	31
27197 .....	23, 35, 39
Right Angle Flag Terminal	
00120 .....	47
Rivet	
56534 .....	9, 11
Roll Pin	
10416 .....	31
23750 .....	31
Roller Clutch	
30893 .....	39
Rubber Motor Mount	
01952A .....	31
01953 .....	31
Rubber Pad	
21749 .....	45

## S

Screw	
Q6516 .....	13
20267 .....	11
23962 .....	5, 9, 11, 15, 17, 45
25817C .....	19
27196 .....	43, 45
27220 .....	41
28193 .....	13
29273 .....	35, 39
30852 .....	21
31098 .....	43
31260 .....	5
31752 .....	5
32671 .....	45
503661 .....	29, 31, 43
51780 .....	45
52909 .....	9, 47

Screw and Lockwasher	
23008 .....	11
27203 .....	9, 11
33562 .....	9
35369 .....	29
Seal	
28114 .....	39
Seal Head	
30022 .....	25
Seal Installer	
241P4 .....	49
Seal Seat	
30021 .....	21
Seal Tool	
255P4 .....	51
Setscrew	
26318 .....	7
Shaft	
27081 .....	35, 39
Shield	
29042 .....	13
Shoulder Bolt	
27229 .....	31
Shoulder Screw	
26547 .....	41
Silicone Lubricant	
26594P .....	45
Siphon Break Kit	
562P3 .....	43
Sleeve	
24128 .....	19
24129 .....	19
24859 .....	7
29993 .....	41
Sleeve Bearing	
27022 .....	39
Slide	
26493 .....	35, 39
Snubber Pad Kit	
434P3 .....	45
Solenoid	
24126 .....	19
Spacer	
27176 .....	41
27181 .....	31
Spade Terminal	
00121 .....	47
00223 .....	47
Special Screw	
27030 .....	35, 39
Speed Nut	
24522 .....	11
25126 .....	7
27248 .....	13
36020 .....	11
54038 .....	15, 17
Spline Insert	
29728 .....	25
Spring	
24131 .....	19
26319 .....	7
27603 .....	13
33435 .....	41
37366 .....	31

Spring Clip	
27017 .....	29
Spring Hook	
321P4 .....	49
Sticker	
24903 .....	9, 11
27195 .....	29
Strain Relief	
38384 .....	9, 11
Switch	
27249 .....	13

---

## T

Taper Pin	
20243 .....	23
Temperature Switch	
21300 .....	5, 7
Terminal	
00116 .....	47
00117 .....	47
Terminal Block	
23041 .....	47
26708 .....	47
Terminal Block Plug	
26302 .....	47
Terminal Block Receptacle	
26301 .....	47
Thrust Washer	
10429 .....	23
Tie-Down Strap	
33489 .....	43
Timer	
28918 .....	7
31239 .....	5
Timer Knob	
27382 .....	7
31281 .....	5
Timer Knob Indicator	
28287 .....	7
Timer Knob Skirt	
31267 .....	5
Transmission Assembly	
30946P .....	37
33227P .....	33
Transmission Case Assembly	
33223 .....	35, 39
Transmission Cover Assembly	
38287P .....	35, 39
Transmission Oil	
27243P .....	35, 39
Trigger	
27247 .....	29

---

## U

U-Clip	
27610 .....	13
27837 .....	13

---

## V

Valve Body	
24159 .....	19
Vinyl Washer	
23425 .....	11

---

## W

Washer	
03888 .....	31
20057 .....	23
20212 .....	35
23425 .....	29
26509 .....	35, 39, 41
27015 .....	41
27016 .....	35, 39
27138 .....	23
27164 .....	23
27166 .....	37
29260 .....	35, 39
29443 .....	31
52549 .....	31
81392 .....	31
Washtub	
39252P .....	25, 27
39387P .....	25, 27
Water Inlet Head	
29154 .....	17
Wire Clip	
51291 .....	47
Wire Tie	
55881 .....	47

