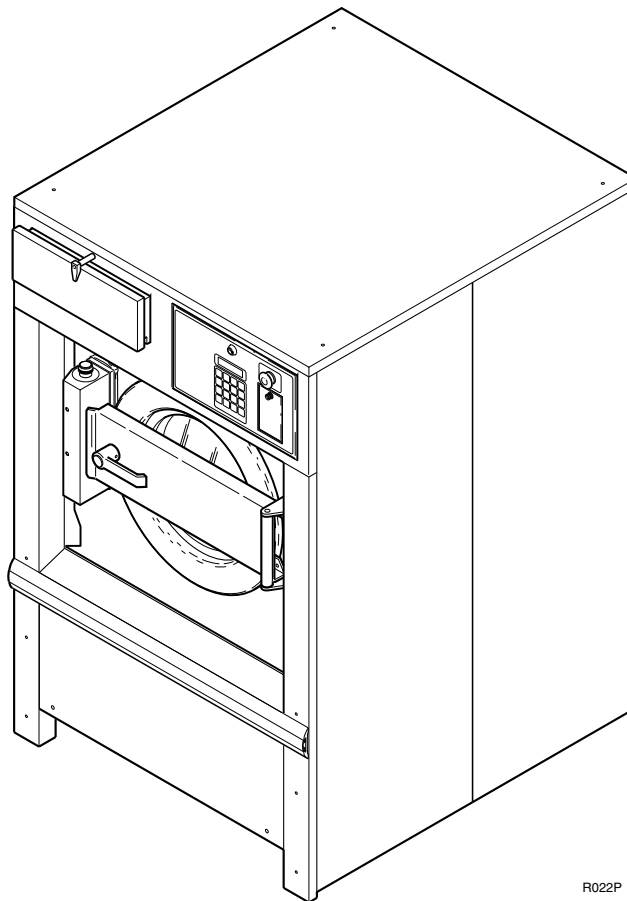


# Washer-Extractor

Cabinet Freestanding  
SF35, UF35, SF50, UF50, SF85, UF85

Parts



R022P

# Table of Contents

Title	Page
Parts Ordering Information .....	2
Nameplate Location .....	2
Model Identification .....	3
Decal Familiarization .....	4
Front Panels .....	6
Shell and Body Panels.....	8
Drive Assembly .....	10
Supply Dispenser.....	12
Fill and Supply System - 35lb. and 50lb. Models.....	14
Fill and Supply System - 85lb. Models.....	16
Hoses and Drain System .....	18
Door Assembly - 35lb. and 50lb. Models - Old Style .....	20
Door Assembly - 85lb. Models - Old Style .....	22
Door Assembly - 35lb. Models - New Style .....	24
Door Assembly - 50lb. Models - New Style .....	26
Door Assembly - 85lb. Models - New Style .....	28
Door Lock Assembly.....	30
Control Module Front .....	32
Control Module .....	34
Suspension System - 35lb. Models .....	36
Suspension System - 50lb. Models .....	38
Suspension System - 85lb. Models .....	40
Steam Heat Option .....	42
Electric Heat Option.....	44
Parts Index.....	47

© Copyright 2000, Alliance Laundry Systems LLC

All rights reserved. No part of the contents of this book may be reproduced or transmitted in any form or by any means without the expressed written consent of the publisher.

## Parts Ordering Information

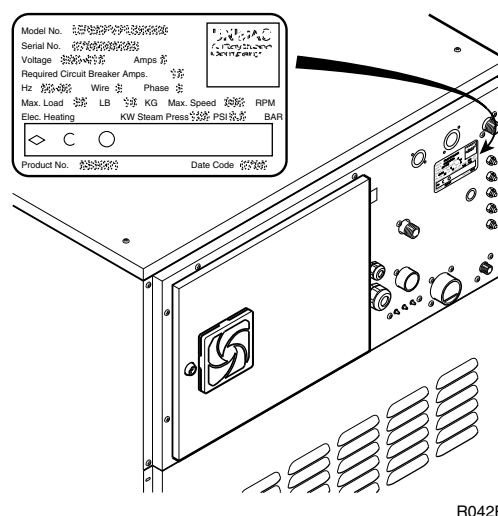
If literature or replacement parts are required, contact the source from whom the machine was purchased or contact Alliance Laundry Systems at (920) 748-3950 for the name of the nearest authorized parts distributor.

For technical assistance, call any of the following numbers:

(850) 718-1035  
(850) 718-1026  
Marianna, Florida  
(920) 748-3121  
Ripon, Wisconsin

## Nameplate Location

When calling or writing about your product, be sure to mention model and serial numbers. Model and serial numbers are located on nameplate(s) as shown.



R042P

## Model Identification

Information in this manual is applicable to these washer-extractors:

SF35PV

SF50PV

SF85PV

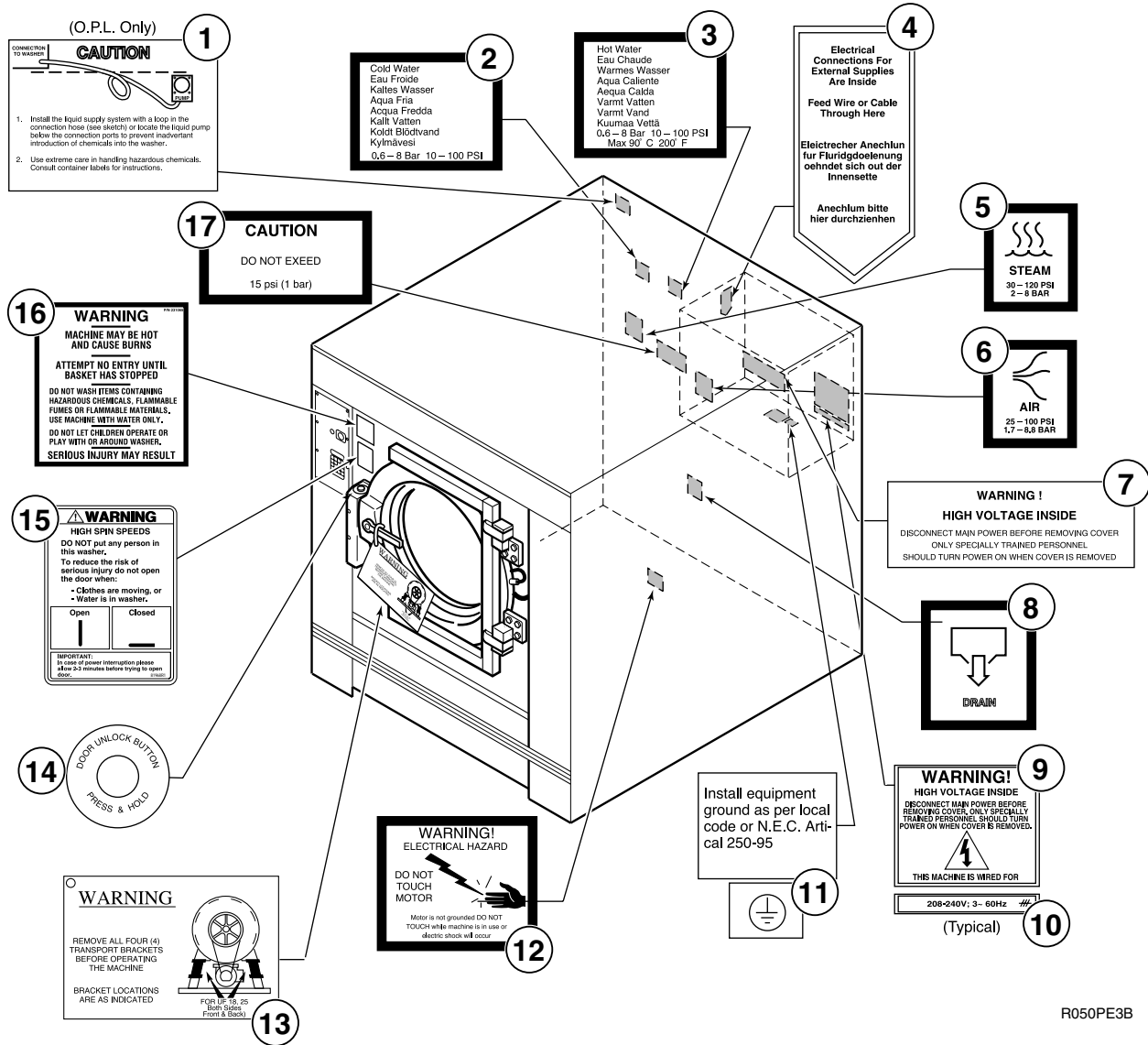
UF35PV

UF50PV

UF85PV



# Decal Familiarization

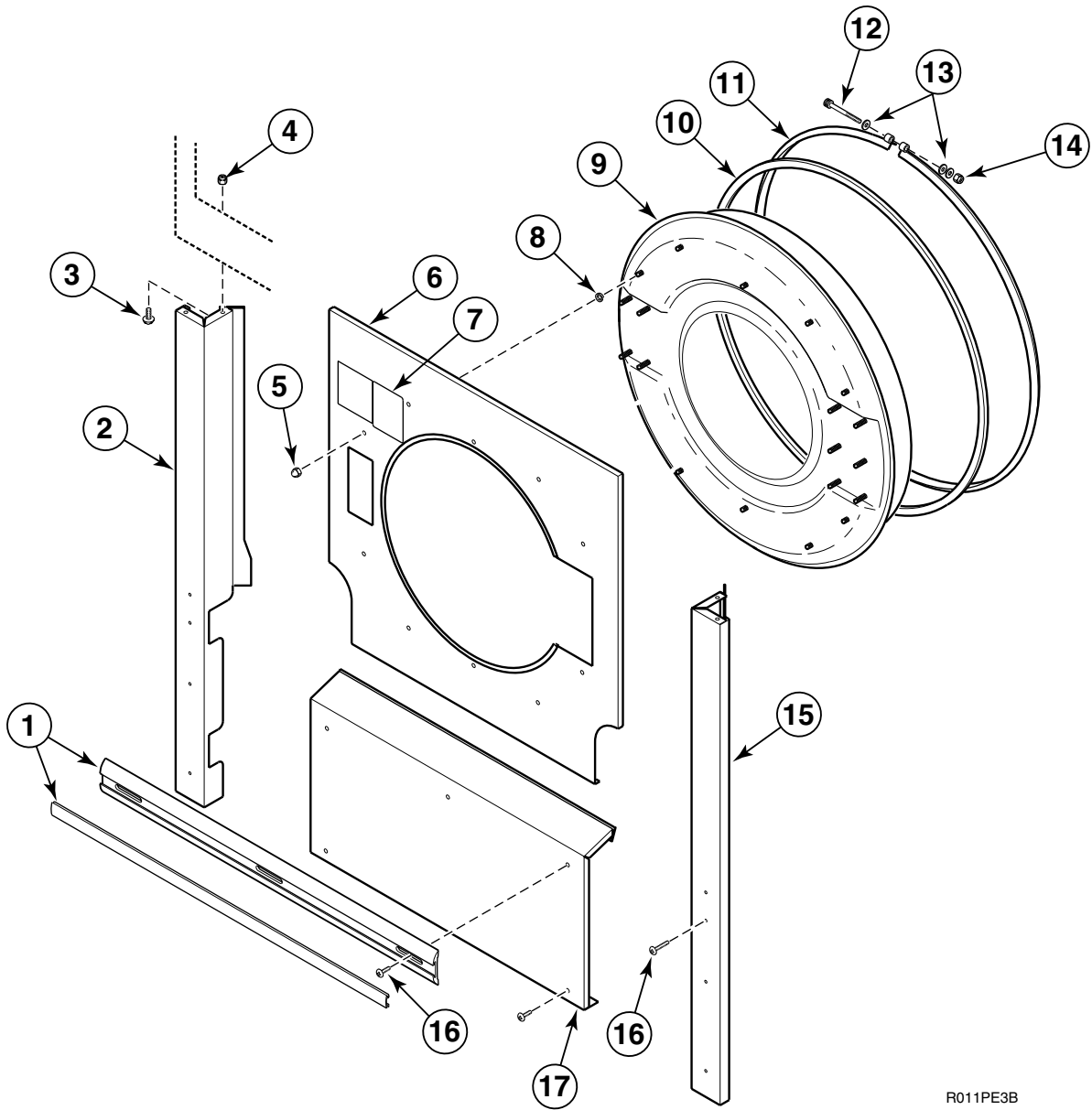


R050PE3B

## Decal Familiarization

REF	PART #	DESCRIPTION	COMMENTS
1	F230877	Decal	OPL only
2	F230857	Decal	
3	F230856	Decal	
4	F230217	Decal	
5	F231147	Decal	
6	F231148	Decal	
7	F230202	Decal	
8	F231150	Decal	
9	F230206	Decal	
10	F230208	Decal	
11	F230630	Decal	
12	F230831	Decal	
13	F230560	Tag	
14	F230816	Decal	
15	81968	Decal	
16	F231065	Decal	
17	F231039	Decal	

# Front Panels



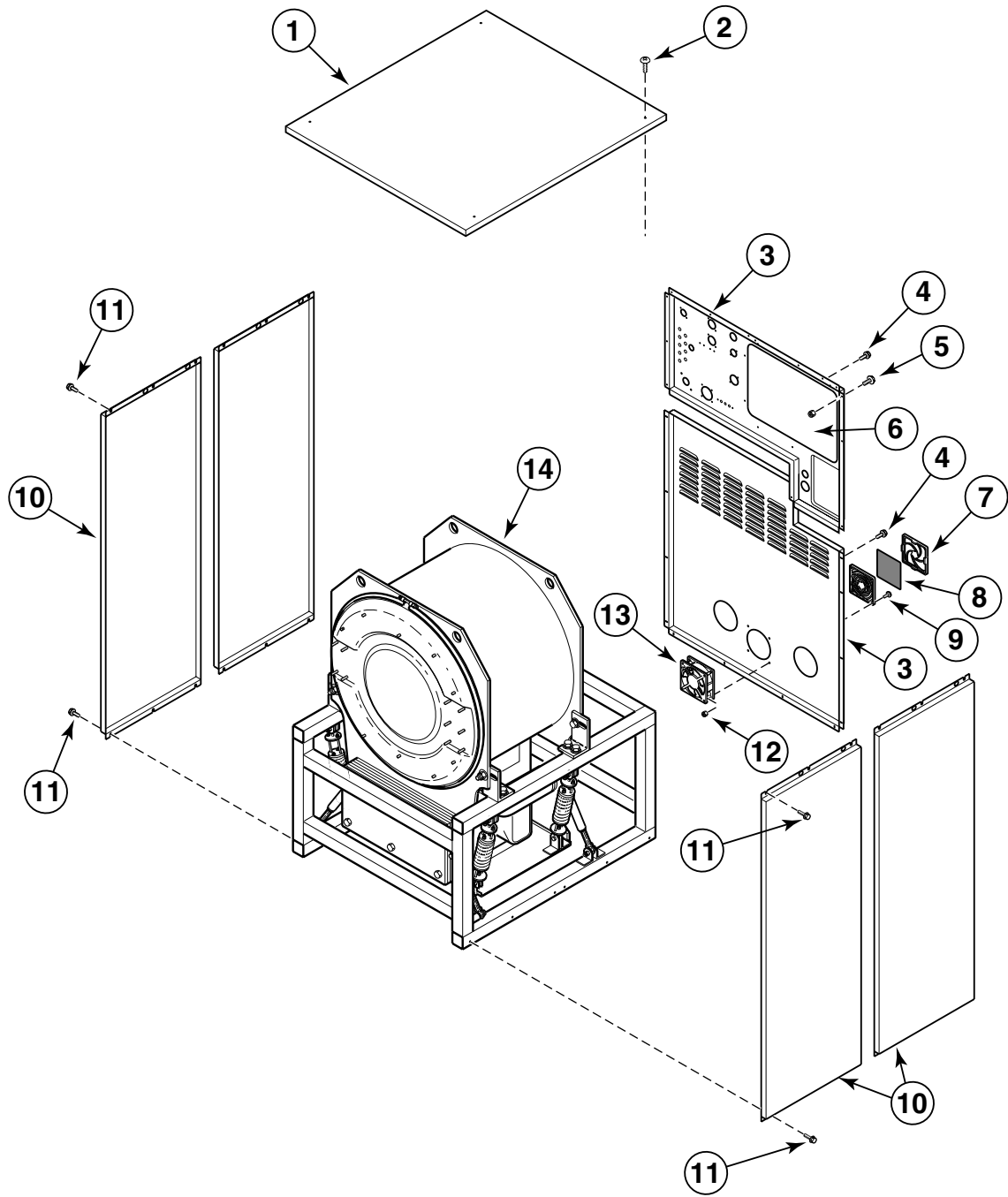
R011PE3B



# Front Panels

REF	PART #	DESCRIPTION	COMMENTS
1	F150404	Rub Rail	Models SF35 and UF35
	F150405	Rub Rail	Models SF50 and UF50
	F150406	Rub Rail	Models SF85 and UF85
2	F606731	Front Column	Left, Models SF35 and UF35
	F606316	Front Column	Left, Models SF50 and UF50
	F607341	Front Column	Left, Models SF85 and UF85
3	F430925	Screw	
4	F430215	Nut	
5	F431026	Cap Nut	
6	F607036	Shell Front Cover	Models SF35 and UF35
	F606539	Shell Front Cover	Models SF50 and UF50
	F607386	Shell Front Cover	Models SF85 and UF85
7	F230757	Decal	WARNING: MAY BE HOT
8	F431100	Washer	
9	F633684	Shell Front Weldment	Models SF35 and UF35
	F631651	Shell Front Weldment	Models SF50 and UF50
	F631650	Shell Front Weldment	Models SF85 and UF85
10	F170125	Shell Band Seal	Models SF35, SF50, UF35 and UF50 (8 ft. for *F35/9 ft. for *F50)
	F170120	Shell Band Seal	Models SF85 and UF85 (11 ft.)
11	F603229	Shell Band Assembly	Models SF35 and UF35
	F603656	Shell Band Assembly	Models SF50 and UF50
	F603910	Shell Band Assembly	Top, Models SF85 and UF85
	F603911	Shell Band Assembly	Bottom, Models SF85 and UF85
12	F430500	Screw	
13	F430317	Washer	
14	F430215	Nut	
15	F606730	Front Column	Right, Models SF35 and UF35
	F606315	Front Column	Right, Models SF50 and UF50
	F607342	Front Column	Right, Models SF85 and UF85
16	F430921	Screw	
17	F606732	Front Cover	Bottom, Models SF35 and UF35
	F606317	Front Cover	Bottom, Models SF50 and UF50
	F607338	Front Cover	Bottom, Models SF85 and UF85

# Shell and Body Panels

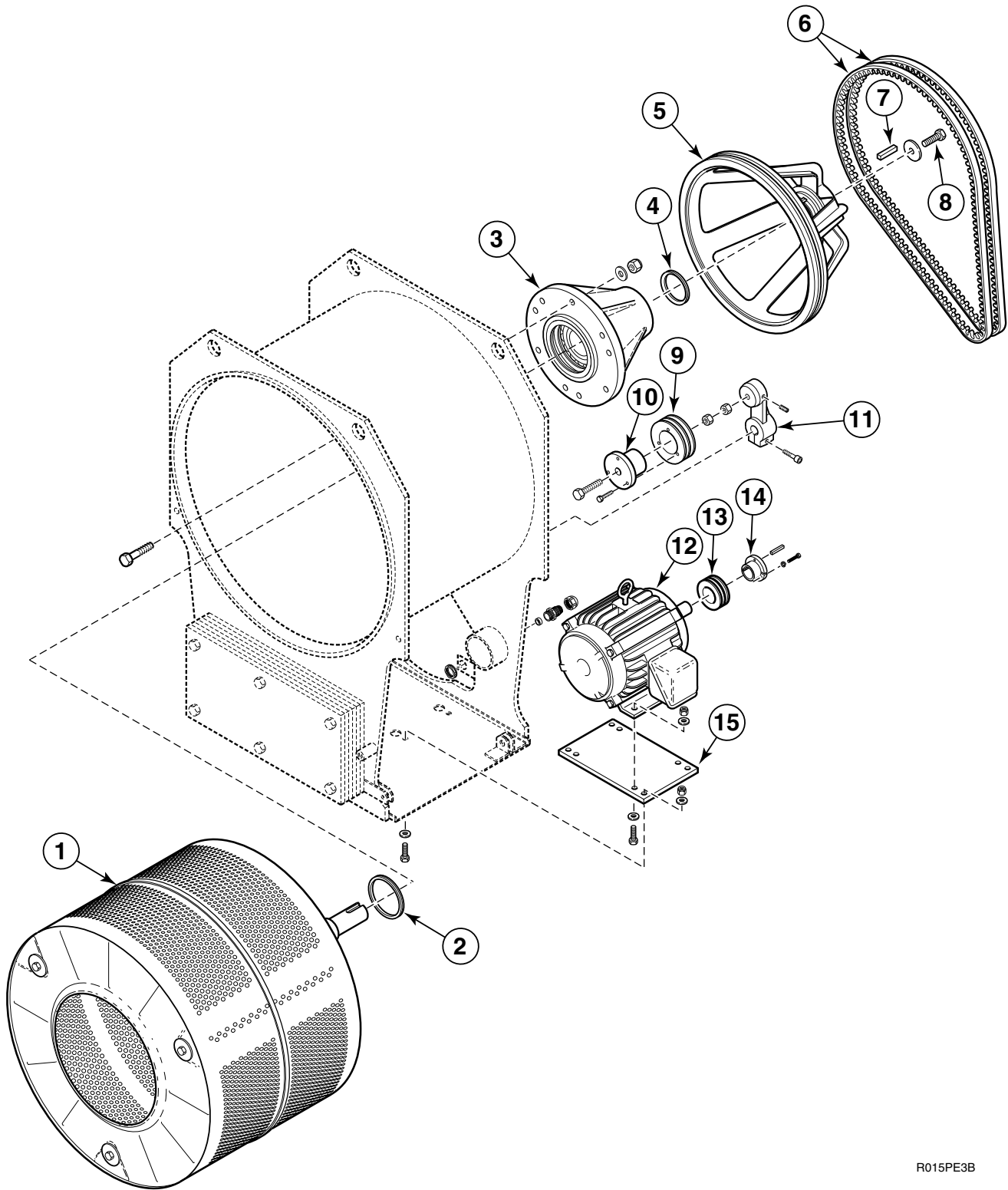


R054PE3B

## Shell and Body Panels

REF	PART #	DESCRIPTION	COMMENTS
1	F606719	Top Cover	Models SF35 and UF35
	F605920	Top Cover	Models SF50 and UF50
	F634140	Top Cover	Models SF85 and UF85
2	F430986	Screw	
3	F631696	Rear Panel	Models SF35 and UF35
	F631695	Rear Panel	Models SF50 and UF50
	F607335	Rear Panel	Models SF85 and UF85
4	F430174	Screw	
5	F430925	Screw	
6	F631485	Allen Bradley Drive Cover	Models SF35 and UF35
	F631454	Allen Bradley Drive Cover	Models SF50 and UF50
	F633023	Allen Bradley Drive Cover	Models SF85 and UF85
7	F220900	Filter Retainer Guard	
8	F633508	Fan Filter	
9	F430916	Screw	
10	F730427	Side Panel	Models SF35 and UF35 (4 per machine)
	F730399	Side Panel	Models SF50 and UF50 (4 per machine)
	F730437	Side Panel	Models SF85 and UF85 (4 per machine)
11	F430179	Screw	
12	F430231	Nut	
13	F110106	Muffin Fan	120 Volt
14	F741021-01	Shell Assembly	Models SF35 and UF35; Standard
	F741022-01	Shell Assembly	Models SF50 and UF50; Standard
	F741023-01	Shell Assembly	Models SF85 and UF85; Standard/Water Reuse
	F741021-02	Shell Assembly	Models SF35 and UF35; Electric Heat
	F741021-03	Shell Assembly	Models SF35 and UF35; Steam
	F741021-04	Shell Assembly	Models SF35 and UF35; Water Reuse
	F741022-02	Shell Assembly	Models SF50 and UF50; Electric Heat
	F741022-03	Shell Assembly	Models SF50 and UF50; Steam
	F741022-04	Shell Assembly	Models SF50 and UF50; Water Reuse
	F741023-02	Shell Assembly	Models SF85 and UF85; Electric Heat
	F741023-03	Shell Assembly	Models SF85 and UF85; Steam

# Drive Assembly

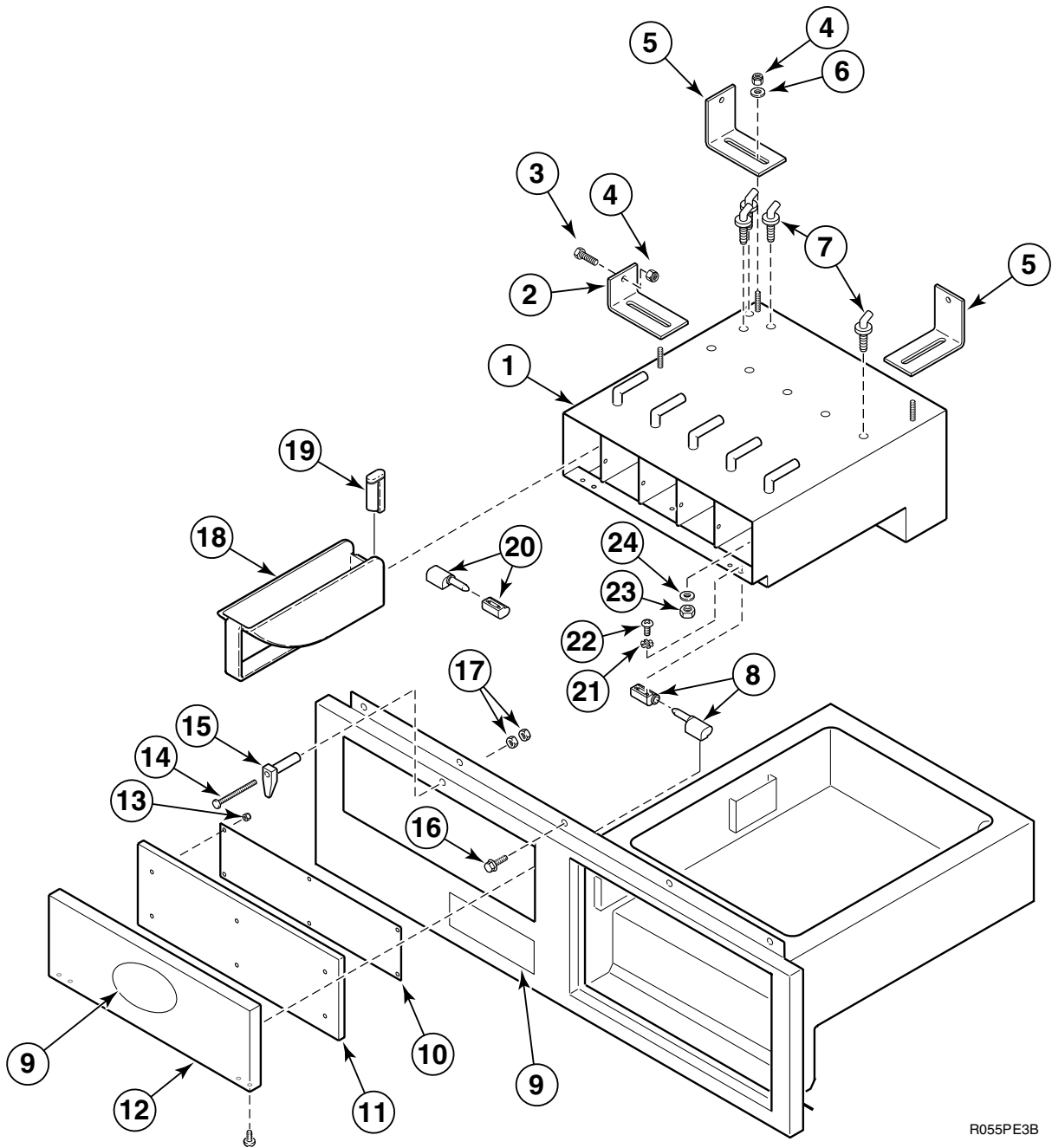


R015PE3B

## Drive Assembly

REF	PART #	DESCRIPTION	COMMENTS
1	F606693	Basket Assembly	Models SF35 and UF35
	F605822	Basket Assembly	Models SF50 and UF50
	F607248	Basket Assembly	Models SF85 and UF85
2	F100245	V-Ring Front Seal	Models SF35 and UF35
	F100243	V-Ring Front Seal	Models SF50 and UF50
	F100251	V-Ring Front Seal	Models SF85 and UF85
3	F730425-1	Trunnion Assembly Kit	Models SF35 and UF35 (includes pulley)
	F730387-1	Trunnion Assembly Kit	Models SF50 and UF50 (includes pulley)
	F730435-1	Trunnion Assembly Kit	Models SF85 and UF85 (includes pulley)
	F730435-3	Trunnion Assembly Kit	Models SF85 and UF85
4	F100249	V-Ring Rear Seal	Models SF35 and UF35
	F100250	V-Ring Rear Seal	Models SF85 and UF85
	F100245	V-Ring Rear Seal	Models SF50 and UF50
5	F150253	Basket Pulley	Models SF35 and UF35
	F150245	Basket Pulley	Models SF50 and UF50
	F150264	Basket Pulley	Models SF85 and UF85
6	F280362	Belt	SF35 and UF35; 3VX800; 2 per machine
	F280363	Belt	SF50 and UF50; 3V8830; 2 per machine
	F280357	Belt	SF85 and UF85; BX-930
7	F430808	Key	Models SF35 and UF35
	F430812	Key	Models SF50, SF85, UF50 and UF85
8	F430183	Screw	
9	F280415	Idler Pulley	Models SF35, SF50, UF35 and UF50
	F280296	Idler Pulley	Models SF85 and UF85
10	F280414	Idler Bushing	
11	F280275	Idler Arm	
12	F220435	Motor	Models SF35 and UF35; from 9/98 to 6/99
	F220236	Motor	Models SF50 and UF50; from 11/98
	F220217	Motor	Models SF85 and UF85
	F220215	Motor	SF35 and UF35; from 6/99
	F220434	Motor	SF50 and UF50; to 11/98
13	F280103	Motor Pulley	Models SF35 and UF35
	F280285	Motor Pulley	Models SF50 and UF50
	F280273	Motor Pulley	Models SF85 and UF85
14	F280233	Bushing	Models SF35, SF50, UF35 and UF50
	F280260	Bushing	Models SF85 and UF85
15	F605985F	Cover Plate	

# Supply Dispenser

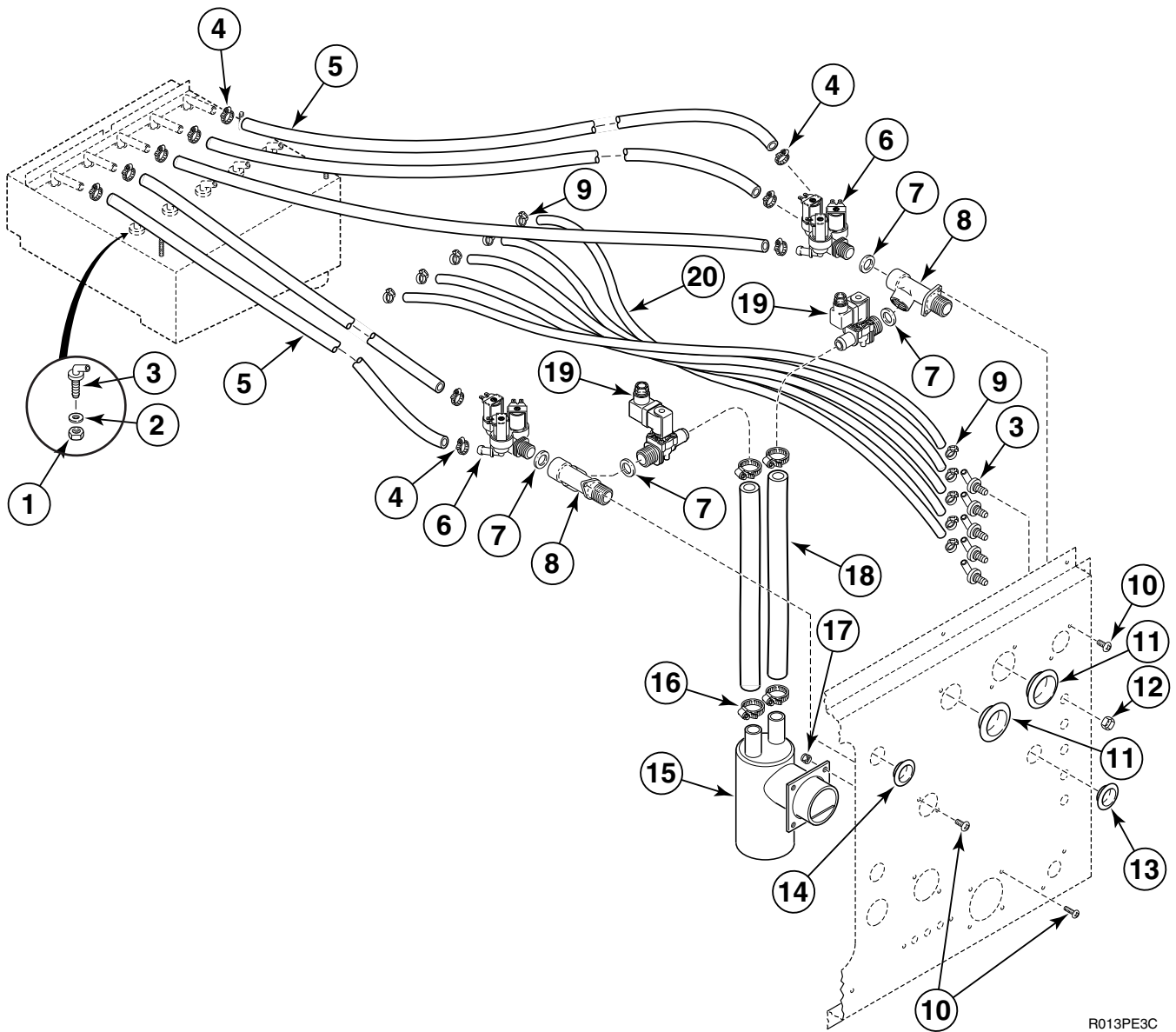


R055PE3B

# Supply Dispenser

REF	PART #	DESCRIPTION	COMMENTS
1	F607022-2	Supply Dispenser	Models SF35 and UF35
	F606048	Supply Dispenser	Models SF50 and UF50
	F607052-1	Supply Dispenser	Models SF85 and UF85
2	F609663	Supply Dispenser Bracket	Short
3	F430939	Screw	
4	F431024	Nut	
5	F609664	Supply Dispenser Bracket	Long
6	F431105	Washer	
7	F380300	Injection Nozzle	
8	F190205	Soap Lid Hinge	Right
9	F150368	Label	UF Models
	F231225	Label	SF Models
10	F606729	Gasket Cover	Models SF35 and UF35
	F606323	Gasket Cover	Models SF50 and UF50
	F607059	Gasket Cover	Models SF85 and UF85
11	F606804	Supply Dispenser Gasket	Models SF35, UF35, SF50 and UF50; Includes item 3
	F607060	Supply Dispenser Gasket	Models SF85 and UF85; Includes item 3
12	F606728	Supply Dispenser Cover	Models SF35 and UF35
	F606324	Supply Dispenser Cover	Models SF50 and UF50
	F749801	Supply Dispenser Cover	Models SF85 and UF85
13	F431000	Nut	
14	F606612	Screw	
15	F606607	Latch Cover	
16	F430179	Screw	
17	F431005	Nut	
18	F150369	Supply Dispenser Cup	3 in SF50 and UF50, 5 in SF85 and UF85
	F150368	Supply Dispenser Cup	5 in SF35 and UF35, 3 in SF50 and UF50
19	F150390	Tubing	
20	F190202	Soap Lid Hinge	Left
21	F431108	Washer	#8
22	F432229	Screw	
23	F431001	Nut	
24	F431131	Washer	

# Fill and Supply System - 35lb. and 50lb. Models



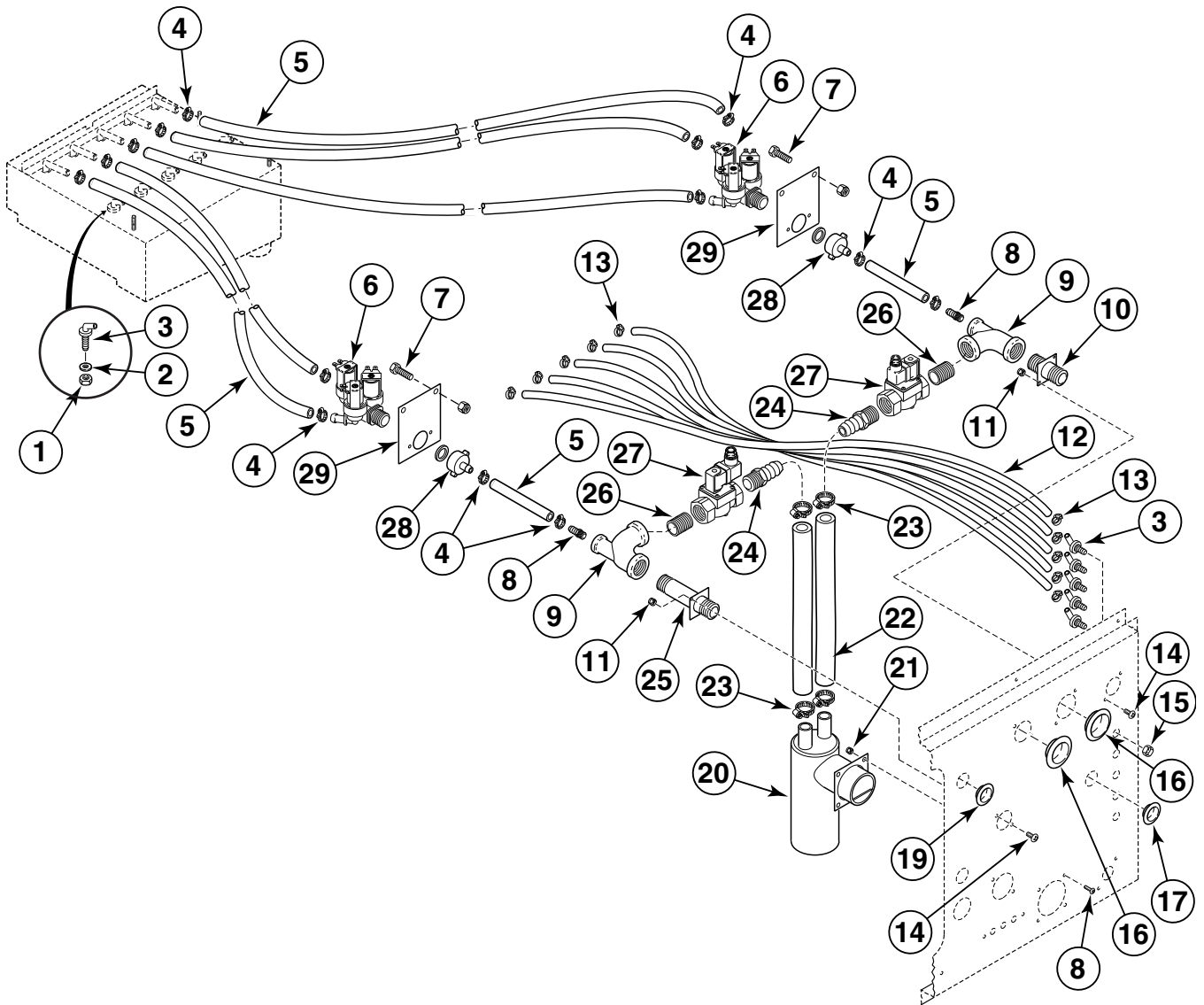
R013PE3C



## Fill and Supply System - 35lb. and 50lb. Models

REF	PART #	DESCRIPTION	COMMENTS
	F730168	Injection Nozzle Kit	Includes items 1-3
1	F431001	Nut	
2	F431131	Washer	
3	F380300	Injection Nozzle	
4	F200207	Clamp	#8
5	F200199	Hose	Sold per foot
6	F380951	3-Way Valve	Mueller
	F381725	3-Way Valve	110 Volt, 2 per machine; Elbi
7	F200500	Washer	
8	F150246	Water Connection Inlet Manifold	Domestic
	F150247	Water Connection Inlet Manifold	Metric Thread
9	F200217	Clamp	#7
10	F430909	Screw	
11	F180502	Plug	
12	F430224	Nut	
13	F180485	Caplug	
14	F180505	Caplug	
15	F606031	Vacuum Breaker	
16	F200222	Clamp	#12
17	F430232	Nut	
18	F200128	Hose	
19	F380953	One-Way Valve	Models SF35 and UF35
	F380763	One-Way Valve	Models SF50 and UF50, prior to 5/99
	F381700	One-Way Valve	Models SF50 and UF50, after 5/99
20	F200168	Tubing	Sold per foot

# Fill and Supply System - 85lb. Models

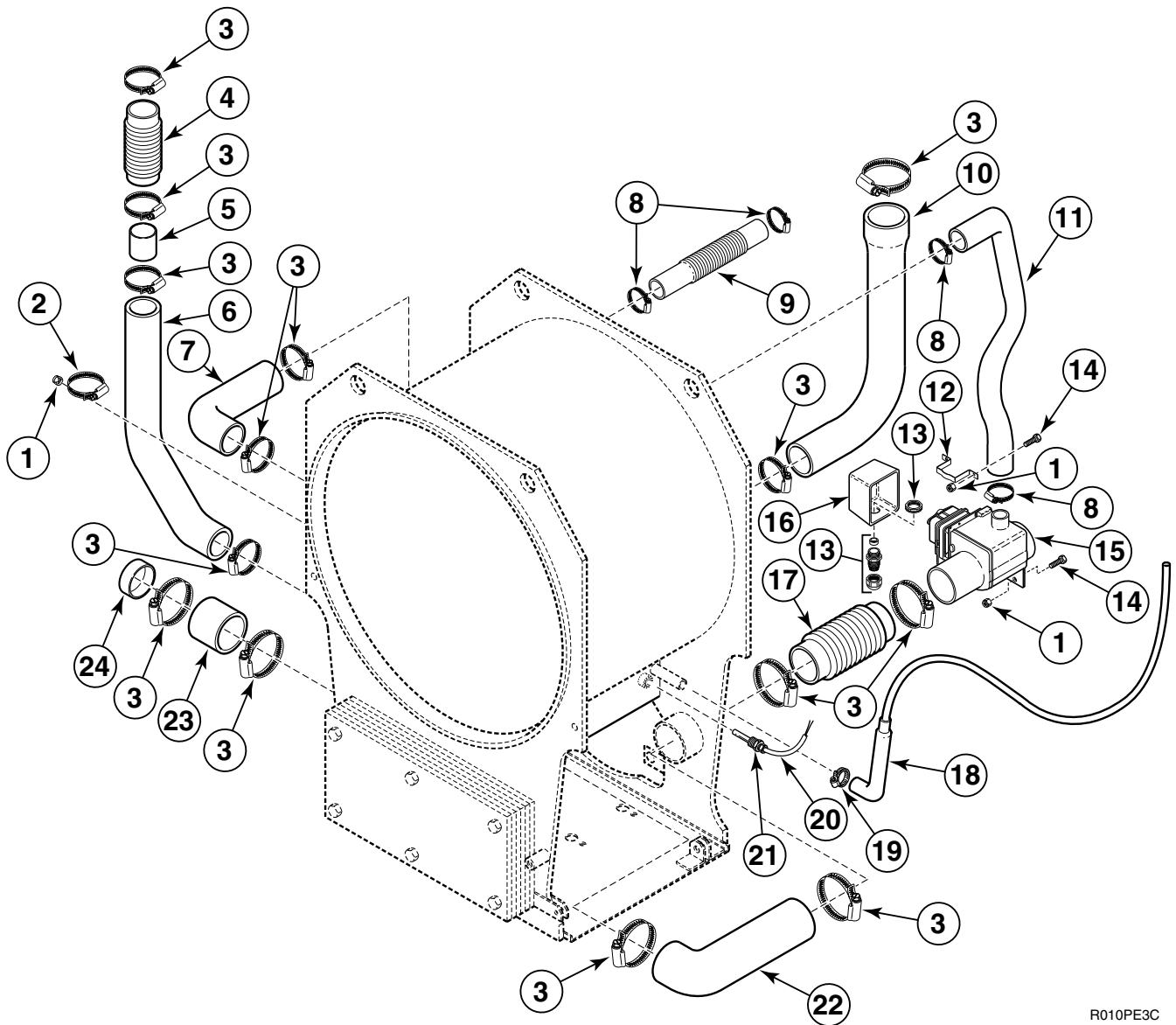


R012PE3D

## Fill and Supply System - 85lb. Models

REF	PART #	DESCRIPTION	COMMENTS
	F730168	Kit	Includes items 1-3
1	F431001	Nut	
2	F170208	O-Ring	
3	F380300	Injection Nozzle	
4	F200207	Clamp	#8
5	F200199	Hose	Sold per foot
6	F381725	3-Way Valve	110 Volt, 2 per machine, Elbi
	F280951	3-Way Valve	110 Volt, Mueller
7	F430179	Screw	
8	F421930	Hose Barb	
9	F420415	Tee	
10	F607515	Nipple	
11	F430215	Nut	
12	F200168	Tubing	Sold per foot
13	F200217	Clamp	#7
14	F430925	Screw	
15	F430224	Nut	
16	F180486	Caplug	
17	F180507	Caplug	
18	F430909	Screw	
19	F180505	Caplug	
20	F607489	Vacuum Breaker Weldment	
21	F430232	Nut	
22	F200155	Hose	
23	F200222	Clamp	#12
24	F421952	Hose Barb	
25	F607532	Nipple	
26	F420118	Nipple	
27	F381727	One-Way Valve	110 Volt, 2 per machine
28	F200302	Hose Connector	
29	F607518	Supply Valve Plate	

# Hoses and Drain System

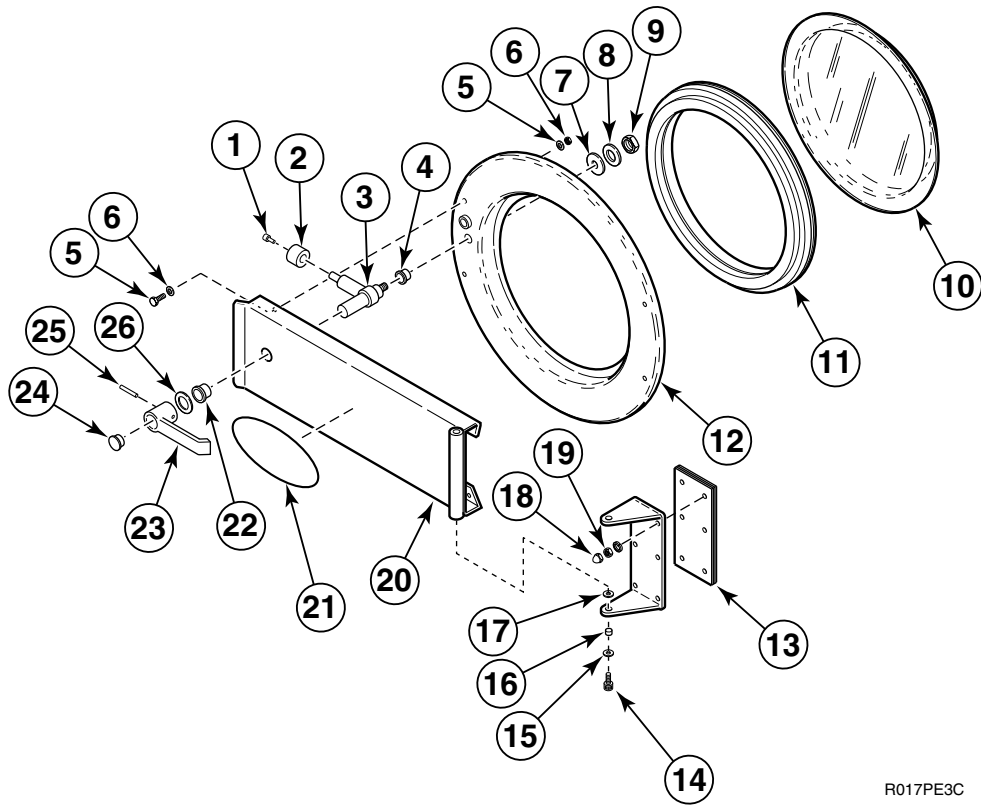


R010PE3C

## Hoses and Drain System

REF	PART #	DESCRIPTION	COMMENTS
1	F430215	Nut	
2	F140645	Clamp	
3	F200213	Clamp	#40
4	F200171	Hose	Upper Supply, Models SF35, UF35, SF50 and UF50
	F150415	Hose	Upper Supply, Models SF85 and UF85
5	F602794-1	Tubing	
6	F200172	Hose	Lower Supply
7	F200175	Hose	Lower Fill
8	F200215	Clamp	#28
9	F200170	Hose	Vent Flex Hose
10	F200173	Hose	Upper Fill
11	F150377	Overflow Hose	Models SF35, SF50, UF35 and UF50
	F150394	Overflow Hose	Models SF85 and UF85
12	F606647	Drain Valve Support Bracket	
13	F140329	Strain Relief Connector	
14	F430103	Screw	
15	F380628	Drain Valve	120 Volt
16	F380946	Drain Valve Motor Cover	
17	F200169	Drain Hose	Models SF35, UF35, SF50 and UF50
18	F200142	Airtrap Hose	Models SF35, SF50, UF35 and UF50
	F200163	Airtrap Hose	Models SF85 and UF85
19	F200222	Clamp	#12
20	F370606	Temperature Probe	
21	F421936	Reducer Bushing	
22	F150356	Inner Drain Hose	Models SF35, SF50, UF35 and UF50
	F150411	Inner Drain Hose	Models SF85 and UF85
23	F607461	Plug Hose	
24	F607460	Sump Plug Weldment	

# Door Assembly - 35lb. and 50lb. Models - Old Style

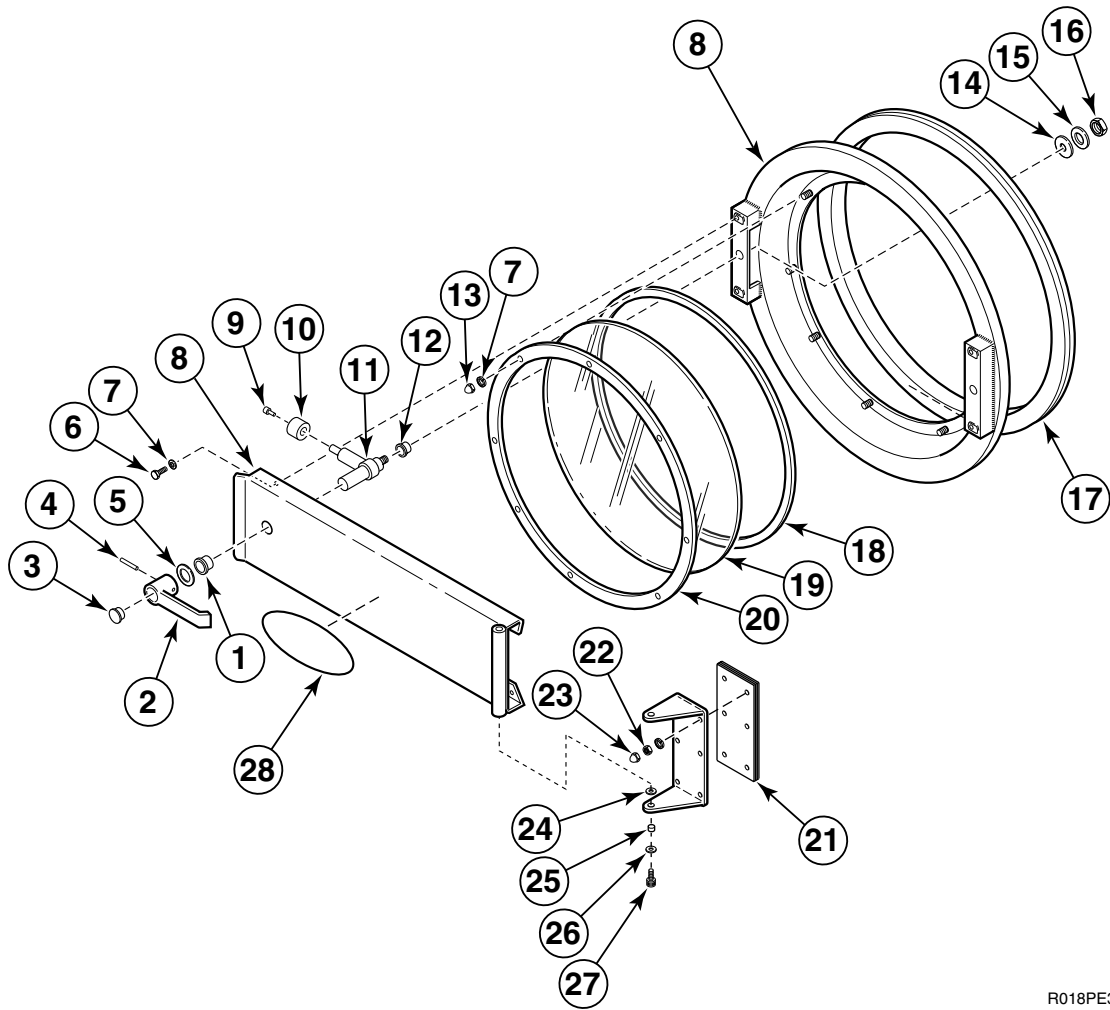


R017PE3C

## Door Assembly - 35lb. and 50lb. Models - Old Style

REF	PART #	DESCRIPTION	COMMENTS
	F746812-02	Shoulder Bolt Kit	Includes items 14-17
1	F340502	Switch Magnet	
2	F100145	Follower Cam	
3	F730564-1	Pivot Lock Weldment Kit	Through Serial No. *18919
	F746503	Pivot Lock Weldment Kit	Starting Serial No. *18920
4	F280252	Bushing	
5	F430923	Screw	
6	F431100	Washer	
7	F431142	Washer	
8	F431143	Washer	
9	F431024	Nut	
10	F290207P	Door Glass	Models SF35 and UF35
	F290208P	Door Glass	Models SF50 and UF50
11	F170123	Door Gasket	Models SF35 and UF35, Gray
	F170124	Door Gasket	Models SF50 and UF50
	F170123-1	Door Gasket	Models SF35 and UF35, Brown
12	F746006-02	Door Retro Kit	Models SF35 and UF35; includes Door Weldment and Hinge
	F746007-02	Door Retro Kit	Models SF50 and UF50; includes Door Weldment and Hinge
13	F606562	Door Hinge Shim	
14	F432264	Screw	
15	F431118	Washer	
16	F280237	Bushing	
17	F431917	Washer	
18	F431043	Cap Nut	
19	F431011	Nut	
20	F746006-02	Door Retro Kit	Models SF35 and UF35
	F746007-2	Door Retro Kit	Models SF50 and UF50
21	F230806	Label	UF Models
	F231225	Label	SF Models
22	F280253	Bushing	
23	F150225	Door Handle	
24	F140563	Dome Plug	
25	F431222	Spring Pin	
26	F431907	Washer	

# Door Assembly - 85lb. Models - Old Style



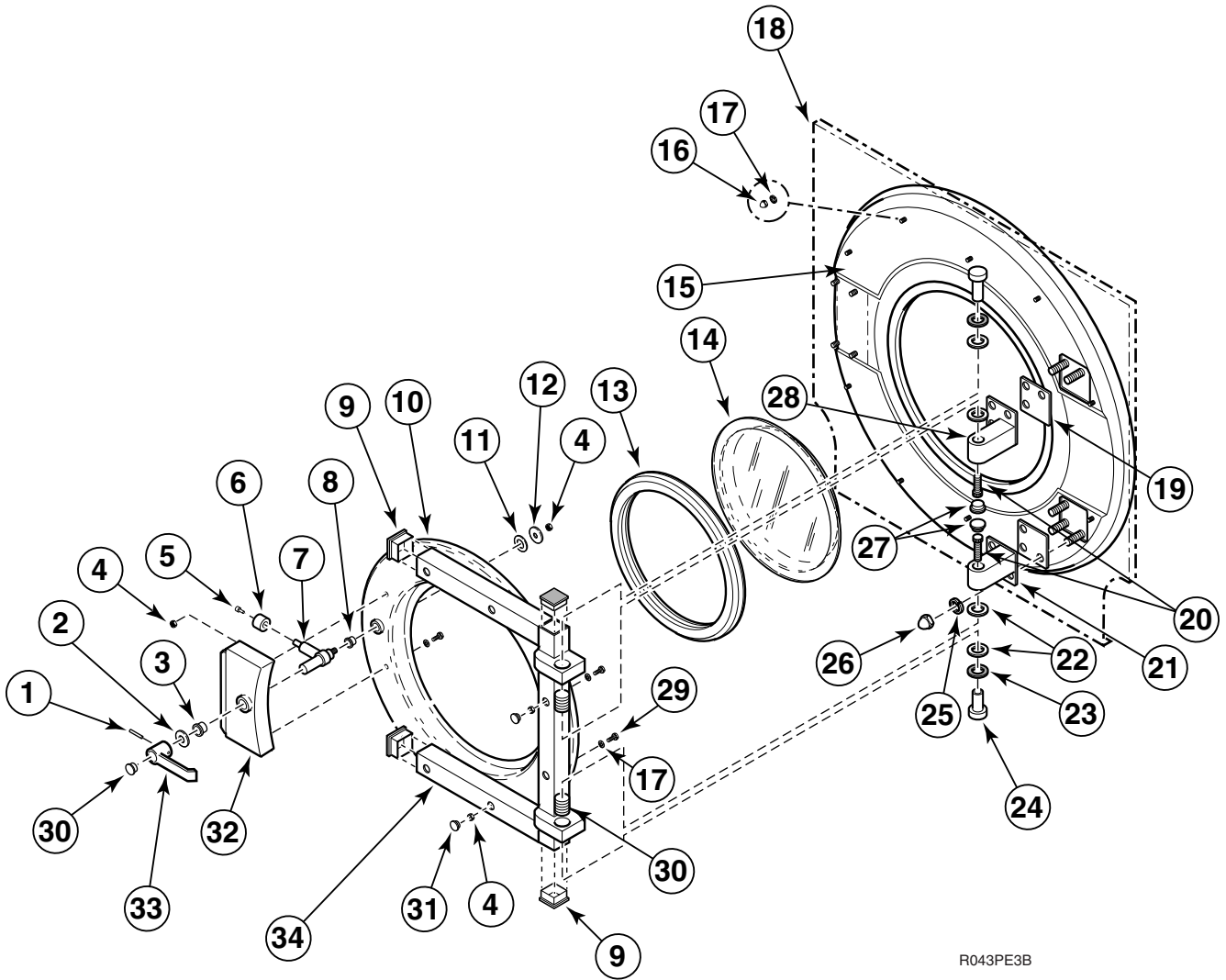
R018PE3C



## Door Assembly - 85lb. Models - Old Style

REF	PART #	DESCRIPTION	COMMENTS
	F746817-02	Shoulder Bolt Kit	Includes items 24-27
1	F280253	Bushing	
2	F150225	Door Handle	
3	F140563	Dome Plug	
4	F431222	Spring Pin	
5	F431907	Washer	
6	F430923	Screw	
7	F431100	Washer	
8	F746008-02	Door Retro Kit	
9	F340502	Switch Magnet	
10	F100145	Follower Cam	
11	F730564-1	Pivot Lock Weldment Kit	Through Serial No. *18919
	F746503	Pivot Lock Weldment Kit	Starting Serial No. *18920
12	F280252	Bushing	
13	F431026	Cap Nut	
14	F431143	Washer	
15	F431142	Washer	
16	F431024	Nut	
17	F170167	Door Gasket	
18	F170117	Door Glass Gasket	
19	F290201	Door Glass	
20	F601239	Glass Retainer	
21	F607520	Door Hinge Shim	
22	F431137	Washer	
23	F431027	Cap Nut	
24	F431917	Washer	
25	F280237	Bushing	
26	F431118	Washer	
27	F432264	Screw	
28	F230806	Label	UF Models
	F231225	Label	SF Models

# Door Assembly - 35lb. Models - New Style

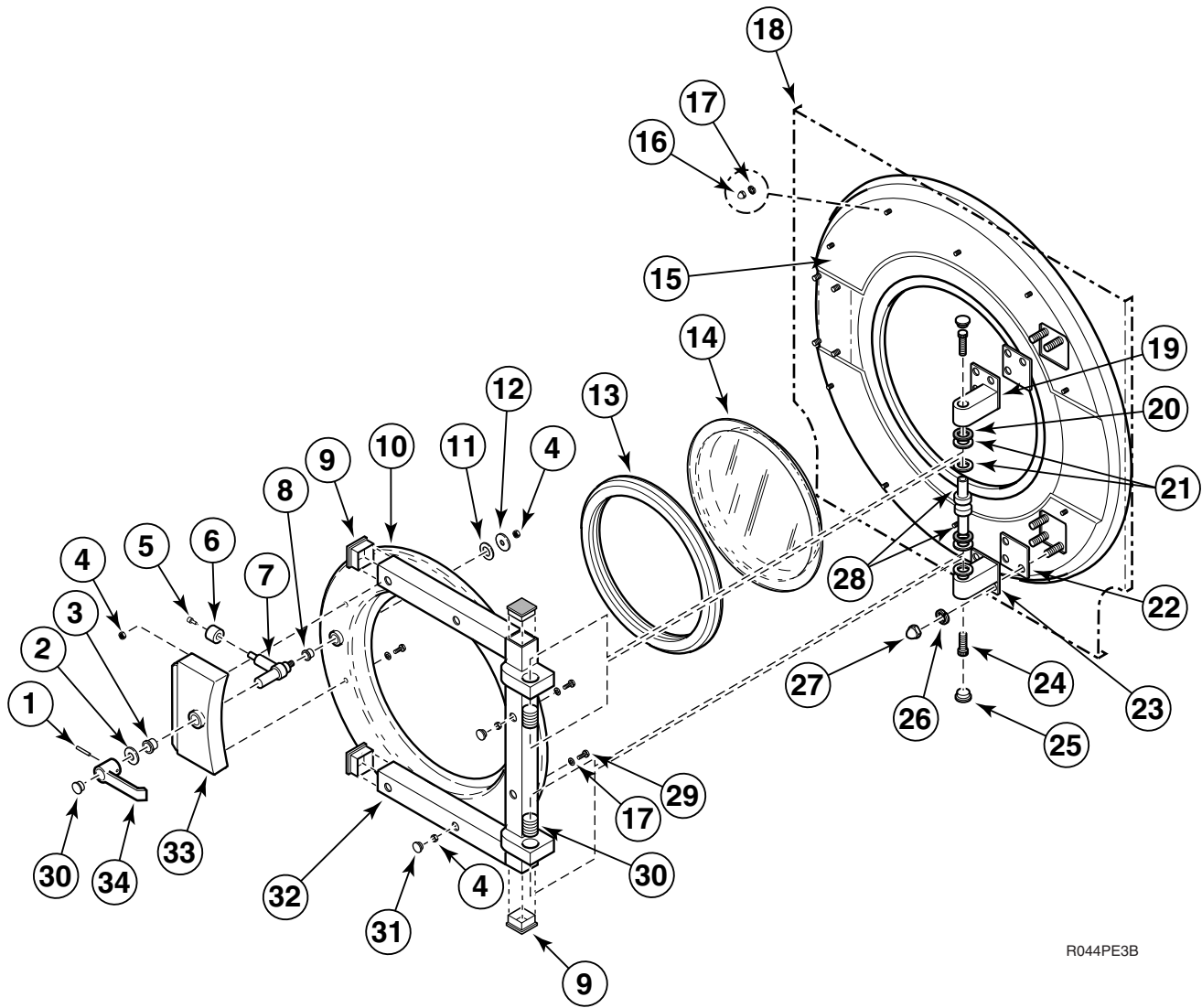


R043PE3B

## Door Assembly - 35lb. Models - New Style

REF	PART #	DESCRIPTION	COMMENTS
	F634027	Door Hinge Assembly	Includes items 1-34
	F746503	Door Pivot Lock	Includes items 1-12
1	F431222	Spring Pin	
2	F431907	Washer	
3	F280253	Bushing	
4	F431024	Nut	
5	F340502	Switch Magnet	
6	F100145	Follower Cam	
7	F608536	Pivot Lock Weldment	
8	F280252	Bushing	
9	F190308	Cap Plug	1 1/2 inch; 4 per door
10	F634002	Door Weldment	
11	F431143	Washer	
12	F431142	Washer	
13	F170123	Door Gasket	Gray
	F170123-1	Door Gasket	Brown
14	F290207	Door Glass	
15	F633684	Front Shell Weldment	
16	F431026	Nut	
17	F431100	Spring Lock Washer	
18	F607036	Shell Front Cover	
19	F631662	Shim	3 per hinge
20	F432285	Screw	
21	F633932	Base Hinge Weldment	Lower
22	F431934	Washer	
23	F431933	Washer	
24	F633735	Hinge Pin	
25	F431001	Nut	
26	F431047	Nut	
27	F190309	Cap Plug	7/8 inch; 2 per door
28	F633931	Base Hinge Weldment	Upper
29	F430923	Screw	
30	F280293	Bushing	
31	F140563	Plug	7 per door
32	F631670	Door Support Bracket Weldment	
33	F150225	Door Handle	
34	F633944	Door Hinge Weldment Channel	

# Door Assembly - 50lb. Models - New Style

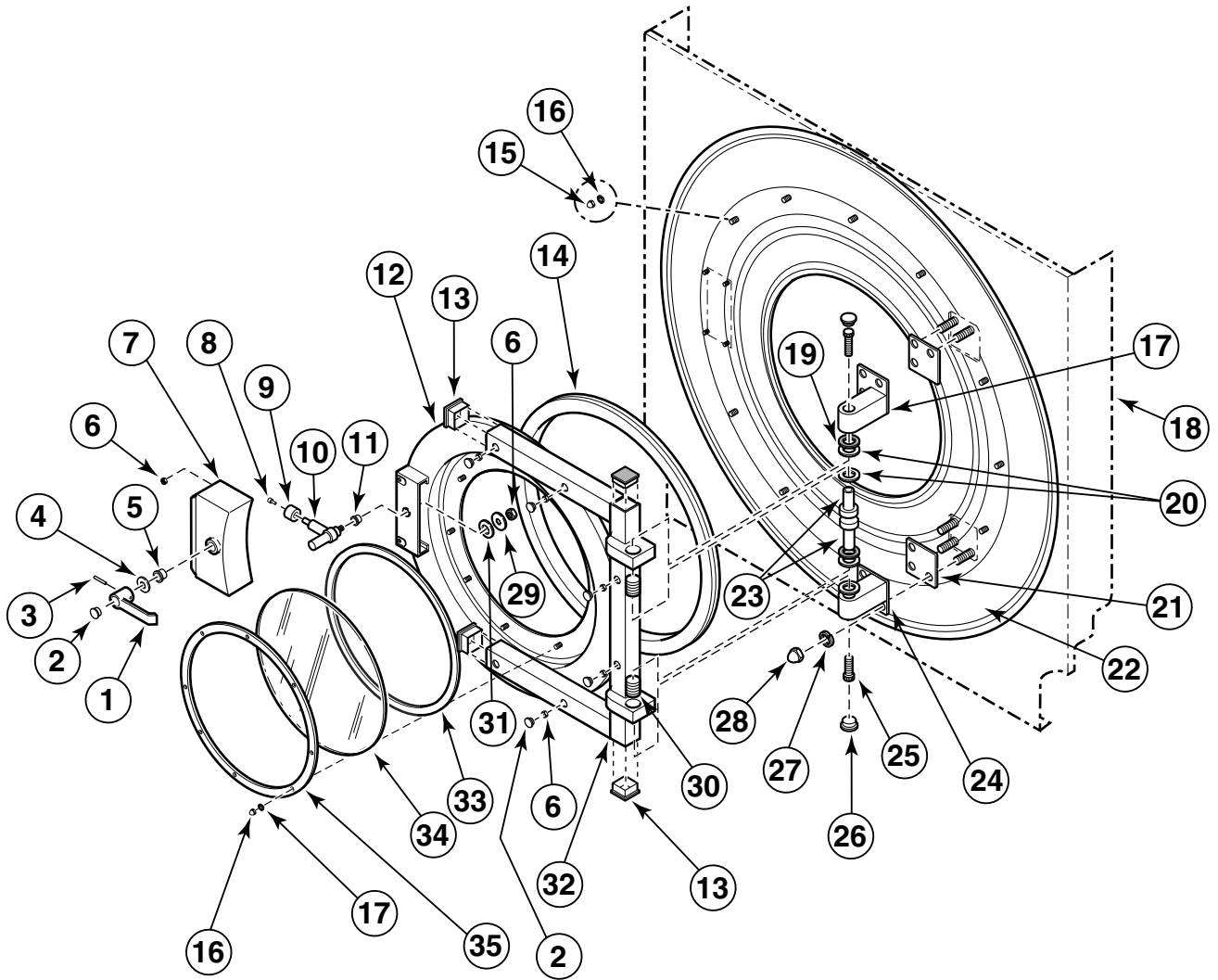


R044PE3B

## Door Assembly - 50lb. Models - New Style

REF	PART #	DESCRIPTION	COMMENTS
	F633978	Door Hinge Assembly	
	F746503	Door Lock Pivot Kit	Includes items 1-12
1	F431222	Spring Pin	
2	F431907	Washer	
3	F280253	Bushing	
4	F431024	Nut	
5	F340502	Switch Magnet	
6	F100145	Follower Cam	
7	F608536	Pivot Lock Weldment	
8	F280252	Bushing	
9	F190308	Cap Plug	1 1/2 inch
10	F633843	Door Weldment	
11	F431143	Washer	
12	F431142	Washer	
13	F170124	Door Gasket	Gray
	F170124-1	Door Gasket	Brown
14	F290208	Door Glass	
15	F631651	Front Shell Weldment	
16	F431026	Nut	
17	F431100	Spring Lock Washer	
18	F606539	Shell Front Cover	
19	F633931	Base Hinge Weldment	Upper
20	F431933	Washer	
21	F431934	Washer	
22	F631662	Shim	
23	F633932	Base Hinge Weldment	Lower
24	F432285	Screw	
25	F190309	Cap Plug	7/8 inch
26	F431001	Nut	
27	F431047	Nut	
28	F633735	Hinge Pin	
29	F430923	Screw	
30	F280293	Bushing	
31	F140563	Plug	
32	F633746	Door Hinge Weldment	
33	F631670	Door Support Bracket Weldment	
34	F150225	Door Handle	

# Door Assembly - 85lb. Models - New Style

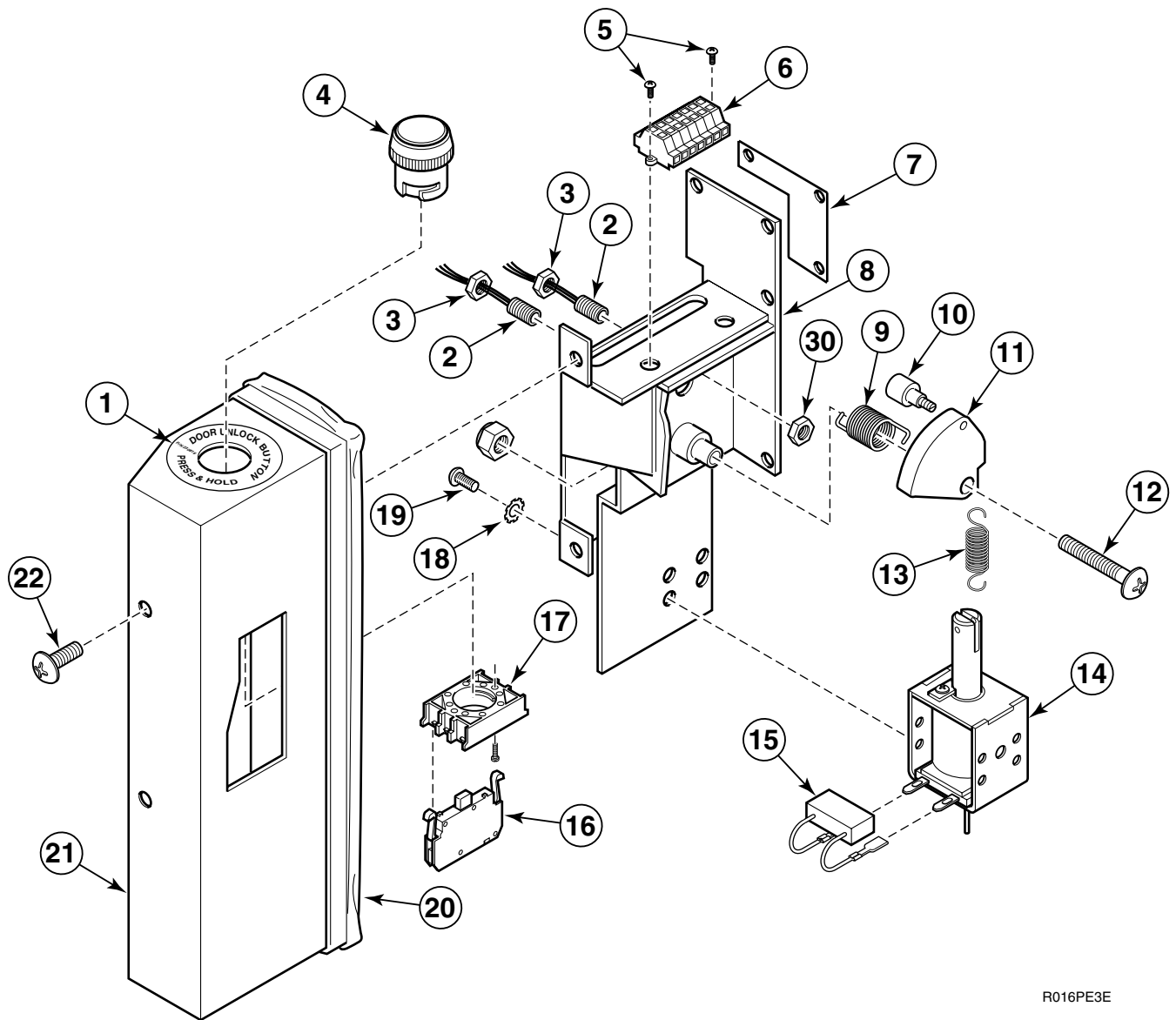


R045PE3B

## Door Assembly - 85lb. Models - New Style

REF	PART #	DESCRIPTION	COMMENTS
	F631654	Door Hinge Assembly	
	F746503	Door Lock Pivot Kit	Includes items 3-5, 8-11, 14, 30 and 32
1	F150225	Door Handle	
2	F140563	Plug	
3	F431222	Spring Pin	
4	F431907	Washer	
5	F280253	Bushing	
6	F431024	Nut	
7	F633698	Door Support Weldment	
8	F340502	Switch Magnet	
9	F100145	Follower Cam	
10	F608536	Pivot Lock Weldment	
11	F280252	Bushing	
12	F633692	Door Weldment	
13	F190308	Cap Plug	1 1/2 inch
14	F170167	Door Gasket	
15	F431026	Nut	
16	F431100	Spring Lock Washer	
17	F631655	Base Hinge Weldment	Upper
18	F607386	Front Shell Cover	
19	F431933	Washer	
20	F431934	Washer	
21	F631662	Shim	
22	F631650	Front Shell Weldment	
23	F633735	Hinge Pin	
24	F631656	Base Hinge Weldment	Lower
25	F432285	Screw	
26	F190309	Cap Plug	7/8 inch
27	F431036	Nut	
28	F431047	Nut	
29	F431142	Washer	
30	F280293	Bushing	
31	F431143	Washer	
32	F633746	Door Hinge Weldment	
33	F170117	Door Glass Gasket	
34	F290201	Door Glass	
35	F601239	Glass Retainer Ring	

# Door Lock Assembly



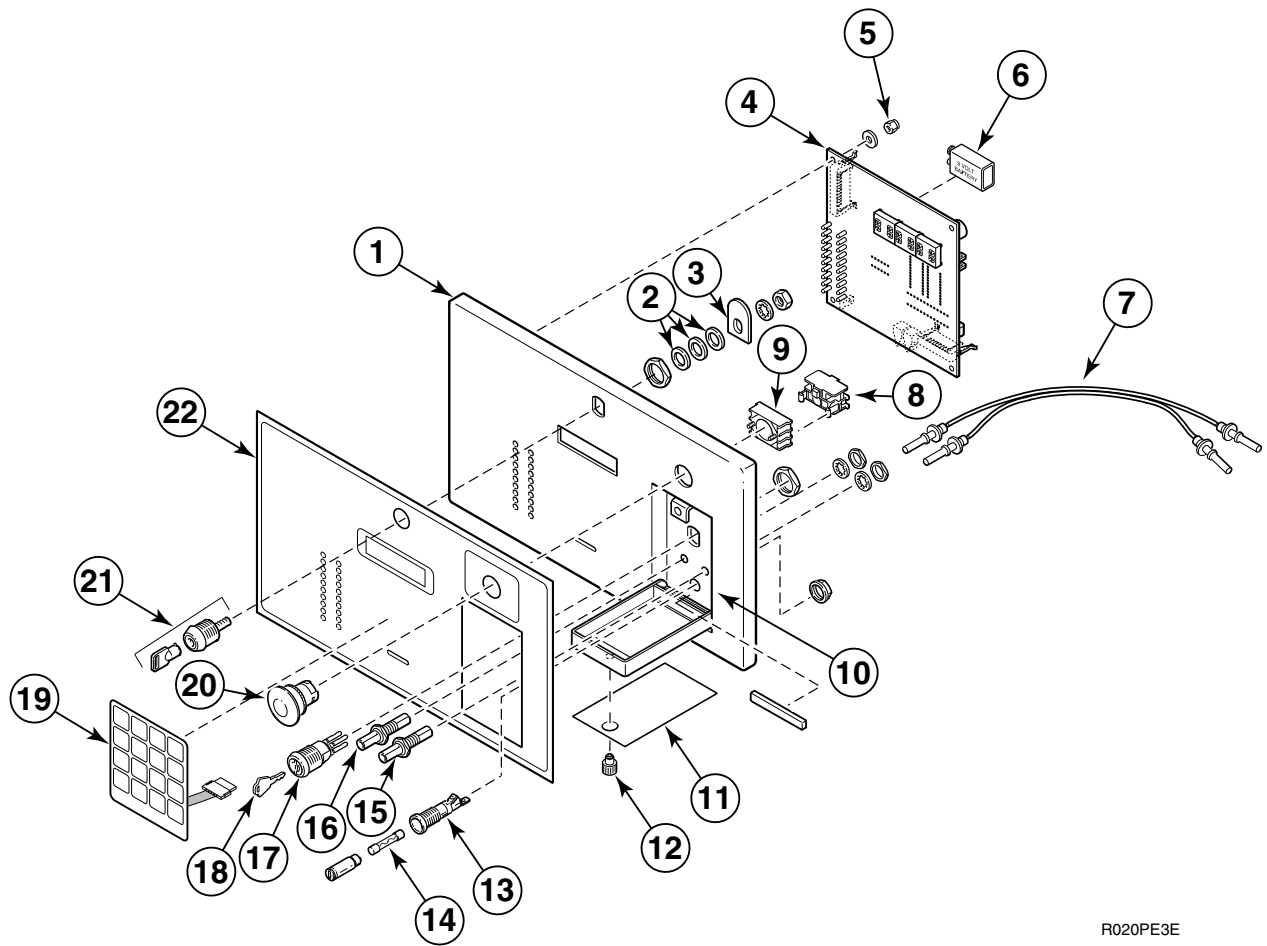
R016PE3E



# Door Lock Assembly

REF	PART #	DESCRIPTION	COMMENTS
	F730478	Door Lock Kit	Includes items 2, 3, 5, 6, 8, 9, 10, 11, 12, 13, 14, 15, 18 and 19
1	F230816	Decal	
2	F340503	Hall Effect Sensor Switch	
3	F430215	Nut	
4	F340712	Momentary Pushbutton	
5	F430928	Screw	
6	F140766	Terminal	300 Volt, 8-pole
7	F606563	Door Lock Shim	
8	F606540	Bracket	
9	F310133	Door Cam Torsion Spring	
10	F340502	Switch Magnet	
11	F150416	Door Lock Cam	
12	F430921	Screw	
13	F310107	Spring	
14	F300122	Intermittent Duty Solenoid	110 Volt
15	F330217	RC Network Filter	
16	F340444	Contact Block Switch	
17	F340705	Pushbutton Mounting Base	
18	F431106	Washer	#8
19	F430995	Screw	
20	F170404	Trim	
21	F606529	Door Lock Cover Weldment	
22	F430985	Screw	

# Control Module Front

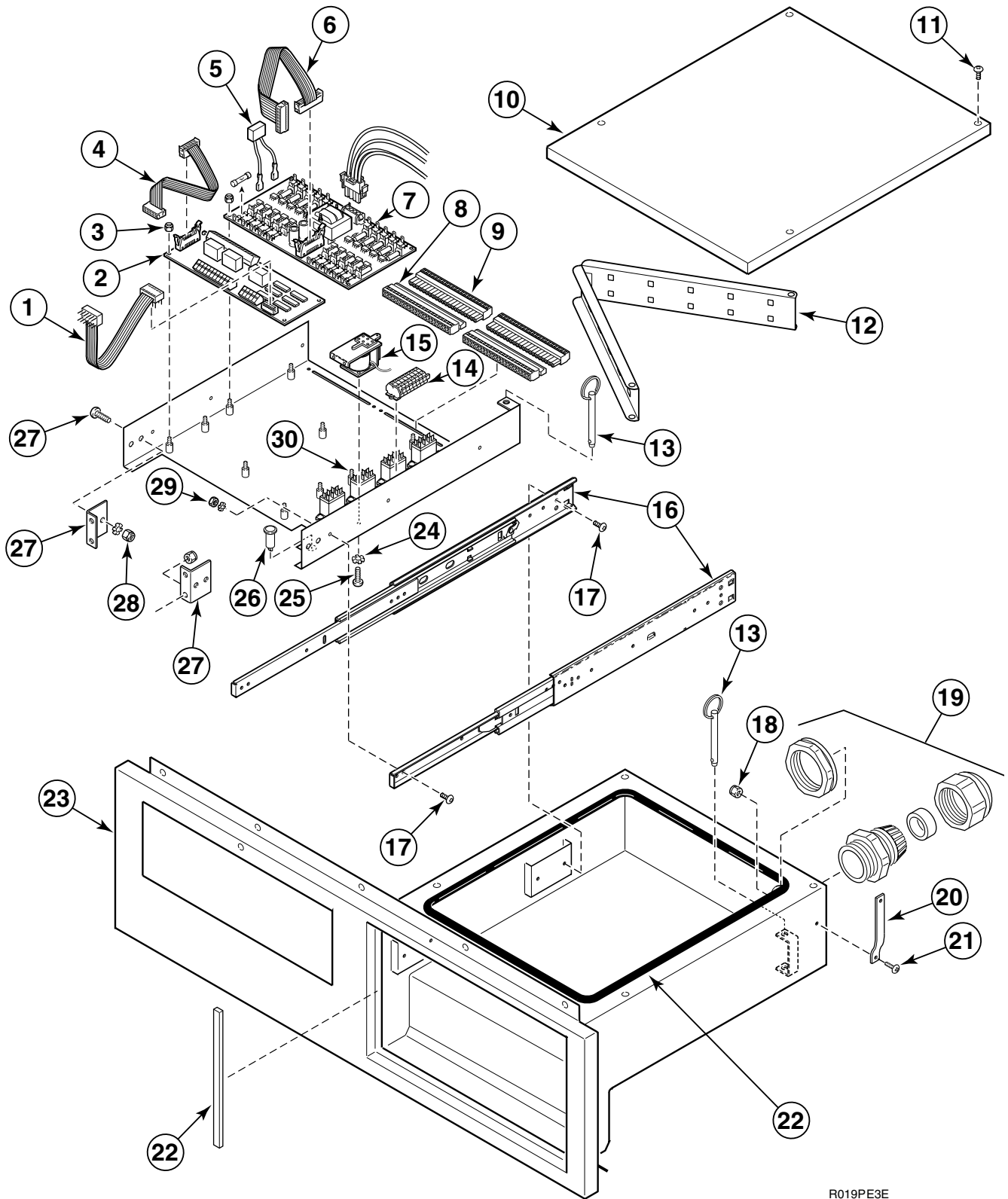


R020PE3E

## Control Module Front

REF	PART #	DESCRIPTION	COMMENTS
	F730186	Key Assembly Kit	Includes item 17
1	F631038	Module Face Sub-assembly	
2	F430317	Washer	
3	F606295	Lock Latch	
4	F370534-20	WE-6 Computer Board	
5	F430231	Nut	
6	F191101	Battery	
7	F606682	Cable Assembly	Includes items 15 and 16
8	F340445	Contact Block Switch	
9	F340705	Base Mount	
10	F170128	Trim	Sold per foot
11	F230785	Decal	Control and Fuse
12	F430525	Screw	
13	F350304	Fuse Holder	
14	F350104	Fuse	2 Amp
15	F140576	Connector	Blue
16	F140575	Connector	Gray
17	F340800	Run/Program Switch	
18	F370709	WE-6 Program Key	
19	F230724	Keypad Decal	
20	F340718	Emergency Pushbutton Switch	
21	F190802	Lid Lock	GR3800; Includes Key
22	F230783-2	Control Module Decal	

# Control Module

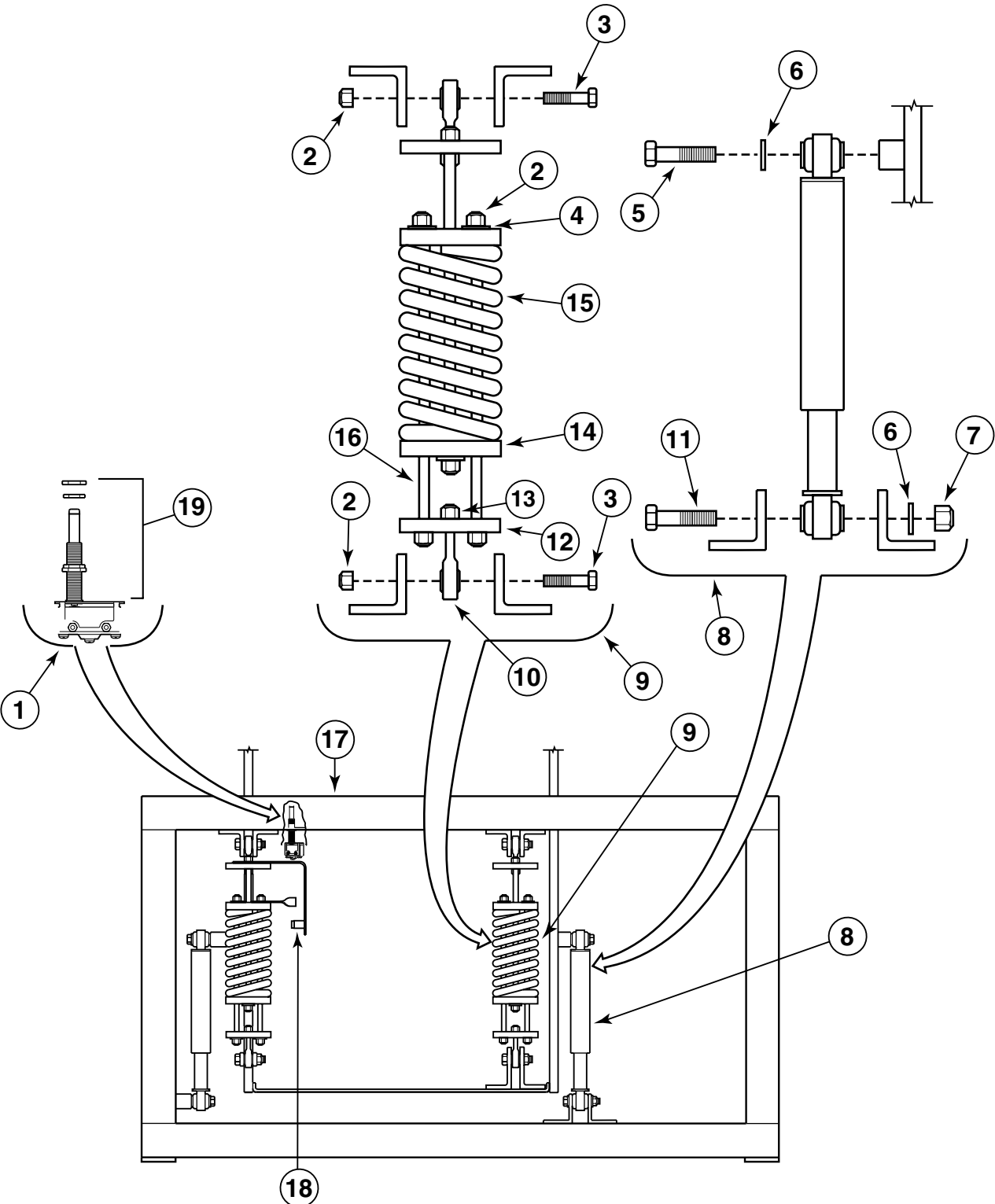


R019PE3E

# Control Module

REF	PART #	DESCRIPTION	COMMENTS
1	F140223	Cable	
2	F370446	WE-6 Interface Board	
3	F430231	Nut	
4	F140218	Ribbon Cable	
5	F330217	RC Network Filter	
6	F140219	Ribbon Cable	
7	F370443	Solid-State Relay Board	
8	F140622	Connector	24 circuit; 2 per machine
	F141003	Connector	12 circuit; 1 per machine
9	F140623	Connector	24 circuit; 2 per machine
	F141002	Connector	12 circuit; 1 per machine
10	F606543	Electrical Box Cover	
11	F430976	Screw	
12	F606397	Cable Guide Weldment	
13	F430407	Lock Pin	
14	F140779	Connector	
15	F300203	Buzzer	110 Volt
16	F190217	Ball Bearing Slide	
17	F430920	Screw	
18	F430215	Nut	
19	F140341	Strain Relief Connector	
20	F606586	Electrical Box Support Bracket	
21	F430925	Screw	
22	F170128	Sponge Rubber	Sold per foot
23	F608393	Control Box and Front Panel Weldment	Models SF35 and UF35
	F608396	Control Box and Front Panel Weldment	Models SF50 and UF50
	F608399	Control Box and Front Panel Weldment	Models SF85 and UF85
24	F431113	Washer	#6
25	F430928	Screw	
26	F350412	Light	Red; 115 Volt
27	F606309	Module Face Bracket	
28	F431017	Nut	
29	F430220	Nut	
30	F330227	Flange Relay	110 Volt; 4 per 35 and 50 models; 5 per 85 models

# Suspension System - 35lb. Models

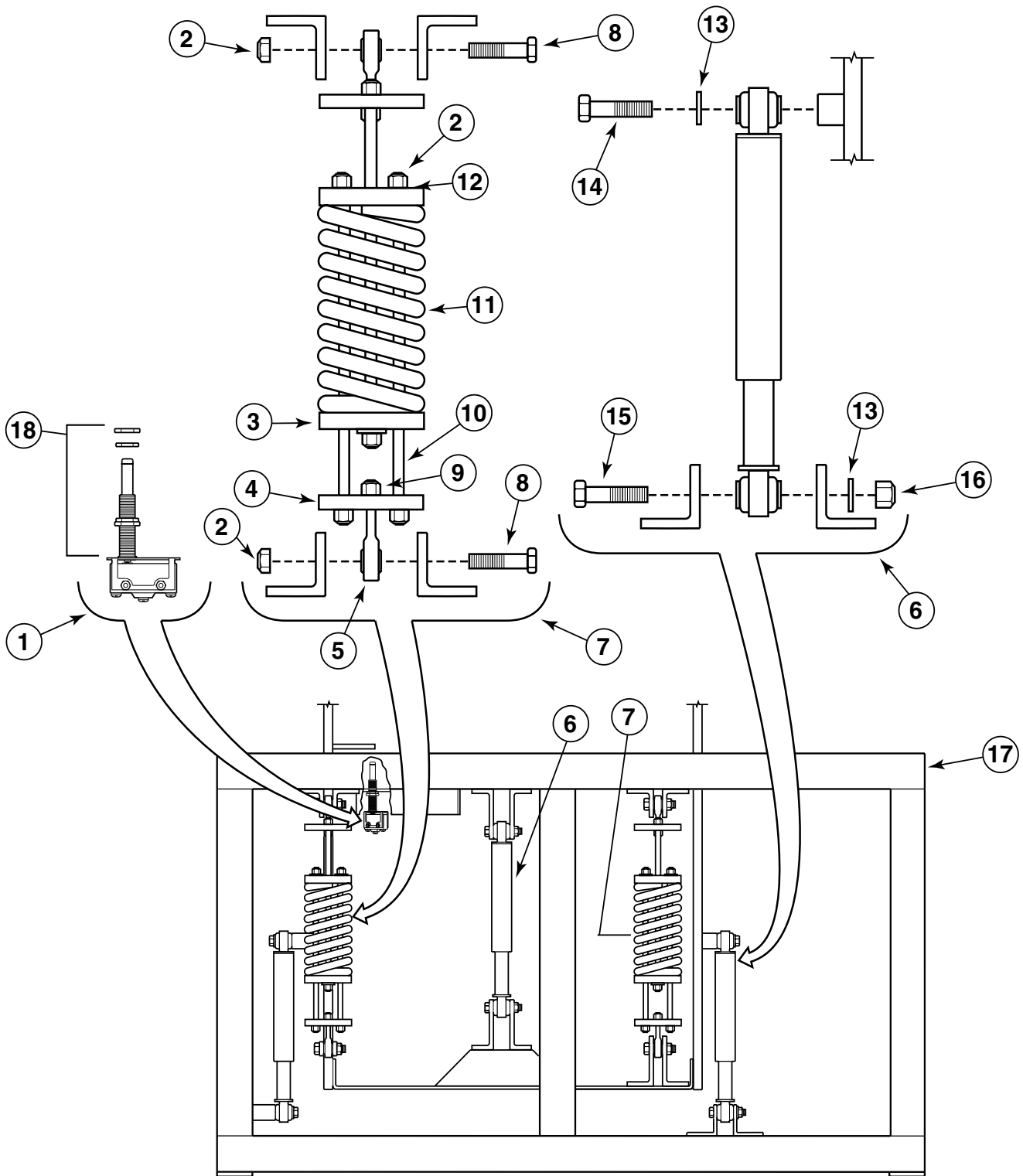


R005PE3C

## Suspension System - 35lb. Models

REF	PART #	DESCRIPTION	COMMENTS
	F790508	Spring Kit	Includes 4 springs, 3 standard and 1 out-of-balance bracket
1	F340901	Overtravel Switch	
2	F430218	Nut	
3	F430144	Screw	
4	F431134	Washer	
5	F430148	Screw	
6	F430332	Washer	
7	F430228	Nut	
8	F250500	Shock Absorber	4 per machine
9	F790504	Spring Subassembly	Includes 1 spring and no out-of-balance bracket
	F790505	Spring Subassembly	Includes 1 spring and out-of-balance bracket
10	F100140	Rod End Bearing	
11	F430146	Screw	
12	F605857F	Rod Support	
13	F430241	Nut	
14	F150380	Spring End	
15	F310130	Spring	
16	F431226	Spring Guide Rod	
17	F606689	Frame Assembly	
18	F730438	Out-of-Balance Switch Assembly	
19	F340913	Overtravel Switch Extension	

# Suspension System - 50lb. Models



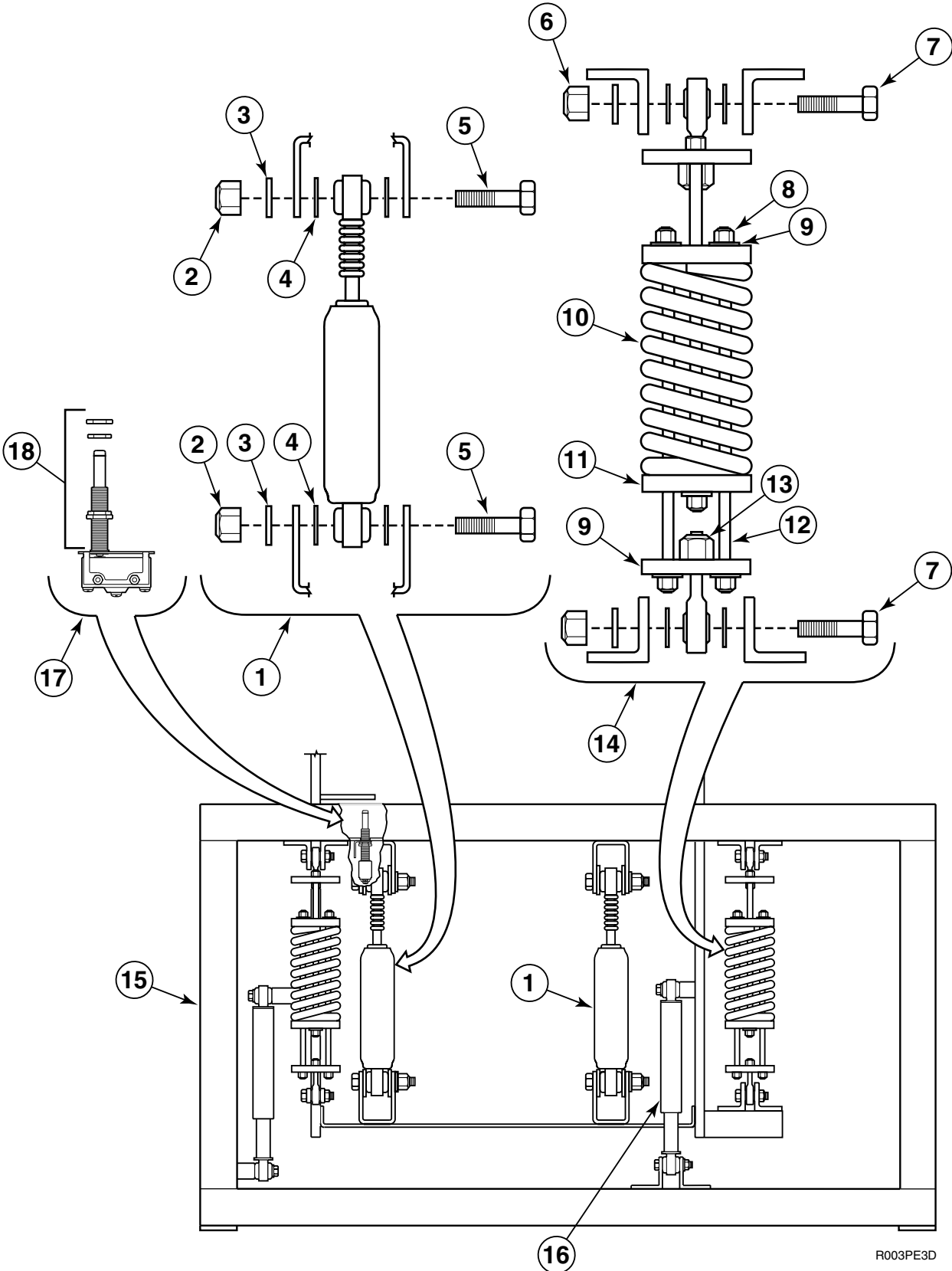
R004PE3B



## Suspension System - 50lb. Models

REF	PART #	DESCRIPTION	COMMENTS
1	F340901	Overtravel Switch	
2	F430218	Nut	
3	F150380	Spring End	
4	F605887F	Rod Support	
5	F100140	Rod End Bearing	
6	F250500	Shock Absorber	6 per machine
7	F790509	Spring Assembly Kit	Includes 4 springs and 1 balance bracket
	F790506	Spring Assembly Kit	Includes 1 spring
	F790507	Spring Assembly Kit	Includes 1 spring and 1 balance bracket
8	F430144	Screw	
9	F430241	Nut	
10	F431227	Spring Guide Rod	
11	F310129	Spring	
12	F431134	Washer	
13	F430332	Washer	
14	F430148	Screw	
15	F430146	Screw	
16	F430228	Nut	
17	F605911	Frame Assembly	
18	F340913	Overtravel Switch Extension	

# Suspension System - 85lb. Models

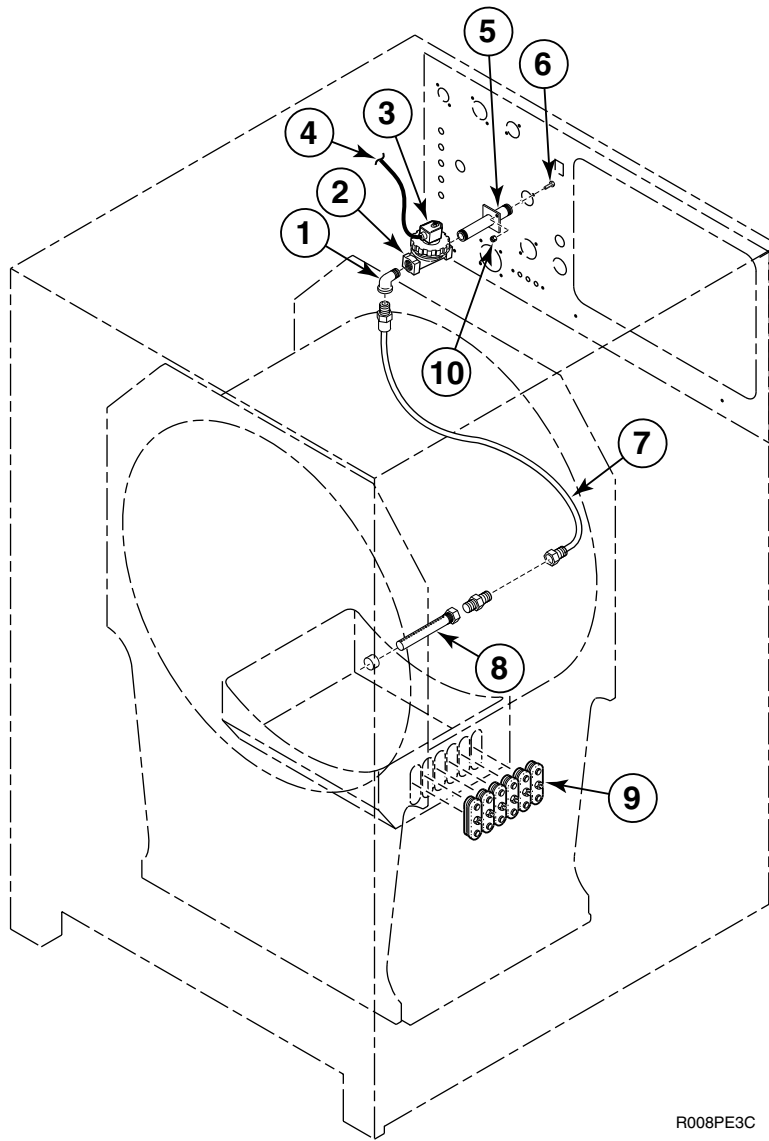


R003PE3D

## Suspension System - 85lb. Models

REF	PART #	DESCRIPTION	COMMENTS
1	F250501	Shock Absorber	4 per machine
2	F430201	Nut	
3	F430325	Washer	
4	F430920	Washer	
5	F430157	Screw	
6	F430239	Nut	
7	F430979	Screw	
8	F430244	Nut	
9	F431131	Washer	
10	F310132	Spring	
11	F290302	Spring End	Derlin
12	F431224	Spring Guide Rod	
13	F430242	Nut	
14	F790510	Spring Assembly Kit	4 springs and 1 out-of-balance switch
	F790502	Spring Assembly Kit	1 spring
	F790503	Spring Assembly Kit	1 spring and 1 out-of-balance bracket
15	F607313	Frame Assembly	
16	F250500	Shock Absorber	4 per machine
17	F340901	Overtravel Switch	
18	F340913	Overtravel Switch Extension	

# Steam Heat Option

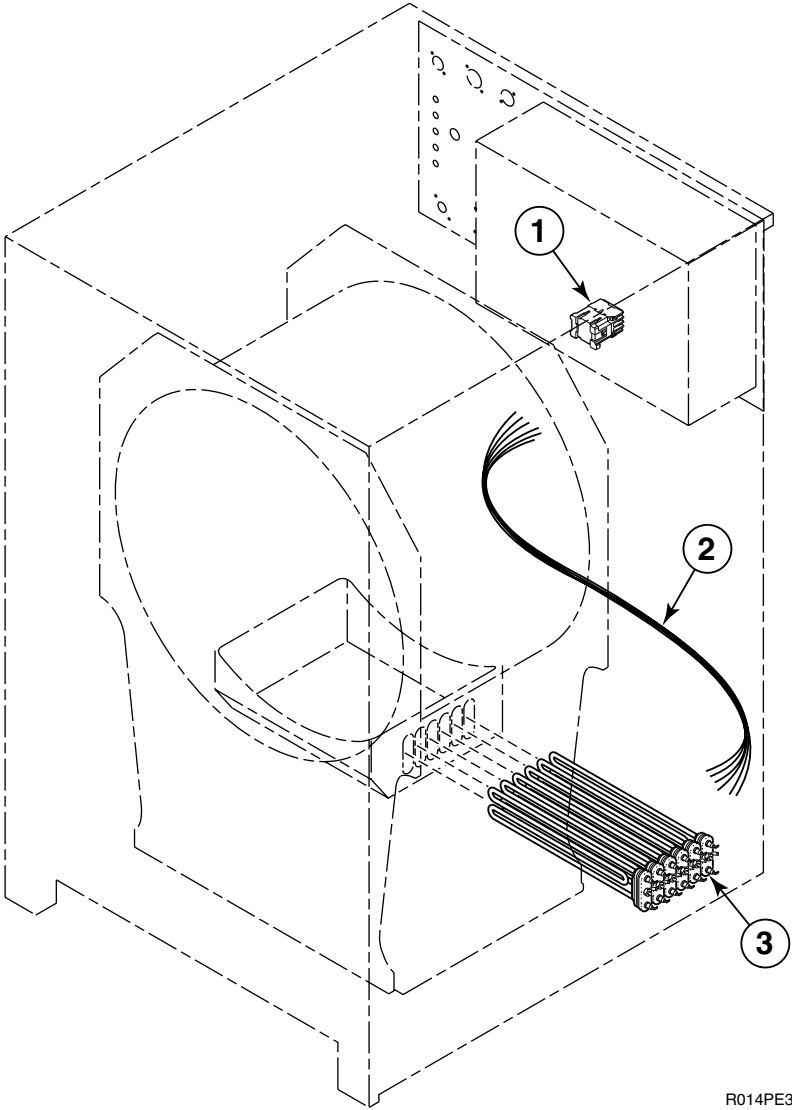


R008PE3C

## Steam Heat Option

REF	PART #	DESCRIPTION	COMMENTS
	F380986	Coil	
	F380984	Steam Valve Rebuild Kit	
	F730548	Steam Heat Kit	
<b>1</b>	F421103	Elbow	
<b>2</b>	F380786	Steam Valve	
<b>3</b>	F140329	Strain Relief Connector	
<b>4</b>	F140227	Cable	
<b>5</b>	F606575	Steam Connection Weldment	
<b>6</b>	F430925	Screw	
<b>7</b>	F200154	Hose	Models SF35, SF50, UF35 and UF50
	F200153	Hose	Models SF85 and UF85
<b>8</b>	F603131	Steam Injector Tube Assembly	
<b>9</b>	F360202	Heating Element Plug	Optional, 6 for 35, 9 for 50, 12 for 85
<b>10</b>	F430215	Nut	

# Electric Heat Option



# Electric Heat Option

REF	PART #	DESCRIPTION	COMMENTS
	F730447	Electric Heat Kit	SF35 and UF35, 400 Volt
	F730448	Electric Heat Kit	SF50 and UF50, 400 Volt
	F730449	Electric Heat Kit	SF85 and UF85, 400 Volt
<b>1</b>	F330187	Contactactor	120 Volt
<b>2</b>	F607745-2	Electric Heat Wiring Harness	Models SF35 and UF35
	F607748-2	Electric Heat Wiring Harness	Models SF50 and UF50
	F607749-2	Electric Heat Wiring Harness	Models SF85 and UF85
<b>3</b>	F360205	Electric Heat Element	240 Volt, 6 for 35, 9 for 50 and 12 for 85

# Parts Index

## A

Airtrap Hose	
F200142 .....	19
F200163 .....	19
Allen Bradley Drive Cover	
F631454 .....	9
F631485 .....	9
F633023 .....	9

## B

Ball Bearing Slide	
F190217 .....	35
Base Hinge Weldment	
F631655 .....	29
F631656 .....	29
F633931 .....	25, 27
F633932 .....	25, 27
Base Mount	
F340705 .....	33
Basket Assembly	
F605822 .....	11
F606693 .....	11
F607248 .....	11
Basket Pulley	
F150245 .....	11
F150253 .....	11
F150264 .....	11
Battery	
F191101 .....	33
Belt	
F280357 .....	11
F280362 .....	11
F280363 .....	11
Bracket	
F606540 .....	31
Bushing	
F280233 .....	11
F280237 .....	21, 23
F280252 .....	21, 23, 25, 27, 29
F280253 .....	21, 23, 25, 27, 29
F280260 .....	11
F280293 .....	25, 27, 29
Buzzer	
F300203 .....	35

## C

Cable	
F140223 .....	35
F140227 .....	43
Cable Assembly	
F606682 .....	33
Cable Guide Weldment	
F606397 .....	35

Cap Nut	
F431026 .....	7, 23
F431027 .....	23
F431043 .....	21
Cap Plug	
F190308 .....	25, 27, 29
F190309 .....	25, 27, 29
Caplug	
F180485 .....	15
F180486 .....	17
F180505 .....	15, 17
F180507 .....	17
Clamp	
F140645 .....	19
F200207 .....	15, 17
F200213 .....	19
F200215 .....	19
F200217 .....	15, 17
F200222 .....	15, 17, 19
Coil	
F380986 .....	43
Connector	
F140575 .....	33
F140576 .....	33
F140622 .....	35
F140623 .....	35
F140779 .....	35
F141002 .....	35
F141003 .....	35
Contact Block Switch	
F340444 .....	31
F340445 .....	33
Contactactor	
F330187 .....	45
Control Box and Front Panel Weldment	
F608393 .....	35
F608396 .....	35
F608399 .....	35
Control Module Decal	
F230783-2 .....	33
Cover Plate	
F605985F .....	11



---

**D**

Decal	
F230202	5
F230206	5
F230208	5
F230217	5
F230630	5
F230757	7
F230785	33
F230816	5, 31
F230831	5
F230856	5
F230857	5
F230877	5
F231039	5
F231065	5
F231147	5
F231148	5
F231150	5
81968	5
Dome Plug	
F140563	21, 23
Door Cam Torsion Spring	
F310133	31
Door Gasket	
F170123	21, 25
F170123-1	21, 25
F170124	21, 27
F170124-1	27
F170167	23, 29
Door Glass	
F290201	23, 29
F290207	25
F290207P	21
F290208	27
F290208P	21
Door Glass Gasket	
F170117	23, 29
Door Handle	
F150225	21, 23, 25, 27, 29
Door Hinge Assembly	
F631654	29
F633978	27
F634027	25
Door Hinge Shim	
F606562	21
F607520	23
Door Hinge Weldment	
F633746	27, 29
Door Hinge Weldment Channel	
F633944	25
Door Lock Cam	
F150416	31
Door Lock Cover Weldment	
F606529	31
Door Lock Pivot Kit	
F746503	27, 29
Door Lock Shim	
F606563	31
Door Pivot Lock	
F746503	25

Door Retro Kit	
F746006-02	21
F746007-02	21
F746007-2	21
F746008-02	23
Door Support Bracket Weldment	
F631670	25, 27
Door Support Weldment	
F633698	29
Door Weldment	
F633692	29
F633843	27
F634002	25
Drain Hose	
F200169	19
Drain Valve	
F380628	19
Drain Valve Motor Cover	
F380946	19
Drain Valve Support Bracket	
F606647	19

---

**E**

Elbow	
F421103	43
Electric Heat Element	
F360205	45
Electric Heat Kit	
F730447	45
F730448	45
F730449	45
Electric Heat Wiring Harness	
F607745-2	45
F607748-2	45
F607749-2	45
Electrical Box Cover	
F606543	35
Electrical Box Support Bracket	
F606586	35
Emergency Pushbutton Switch	
F340718	33

---

**F**

Filter Retainer Guard	
F220900	9
Flange Relay	
F330227	35
Follower Cam	
F100145	21, 23, 25, 27, 29
Frame Assembly	
F605911	39
F606689	37
F607313	41
Front Column	
F606315	7
F606316	7
F606730	7
F606731	7
F607341	7
F607342	7

Front Cover	
F606317 .....	7
F606732 .....	7
F607338 .....	7
Front Shell Cover	
F607386 .....	29
Front Shell Weldment	
F631650 .....	29
F631651 .....	27
F633684 .....	25
Fuse	
F350104 .....	33
Fuse Holder	
F350304 .....	33

## G

Gasket Cover	
F606323 .....	13
F606729 .....	13
F607059 .....	13
Glass Retainer	
F601239 .....	23
Glass Retainer Ring	
F601239 .....	29

## H

Hall Effect Sensor Switch	
F340503 .....	31
Heating Element Plug	
F360202 .....	43
Hinge Pin	
F633735 .....	25, 27, 29
Hose	
F150415 .....	19
F200128 .....	15
F200153 .....	43
F200154 .....	43
F200155 .....	17
F200170 .....	19
F200171 .....	19
F200172 .....	19
F200173 .....	19
F200175 .....	19
F200199 .....	15, 17
Hose Barb	
F421930 .....	17
F421952 .....	17
Hose Connector	
F200302 .....	17

## I

Idler Arm	
F280275 .....	11
Idler Bushing	
F280414 .....	11
Idler Pulley	
F280296 .....	11
F280415 .....	11

Injection Nozzle	
F380300 .....	13, 15, 17
F730168 .....	15
Inner Drain Hose	
F150356 .....	19
F150411 .....	19
Intermittent Duty Solenoid	
F300122 .....	31

## K

Key	
F430808 .....	11
F430812 .....	11
Key Assembly Kit	
F730186 .....	33
Keypad Decal	
F230724 .....	33
Kit	
F730168 .....	17

## L

Label	
F150368 .....	13
F230806 .....	21, 23
F231225 .....	13, 21, 23
Latch Cover	
F606607 .....	13
Lid Lock	
F190802 .....	33
Light	
F350412 .....	35
Lock Latch	
F606295 .....	33
Lock Pin	
F430407 .....	35

## M

Module Face Bracket	
F606309 .....	35
Module Face Sub-assembly	
F631038 .....	33
Momentary Pushbutton	
F340712 .....	31
Motor	
F220215 .....	11
F220217 .....	11
F220236 .....	11
F220434 .....	11
F220435 .....	11
Motor Pulley	
F280103 .....	11
F280273 .....	11
F280285 .....	11
Muffin Fan	
F110106 .....	9

---

## N

Nipple	
F420118.....	17
F607515.....	17
F607532.....	17
Nut	
F430201.....	41
F430215.....	7, 17, 19, 31, 35, 43
F430218.....	37, 39
F430220.....	35
F430224.....	15, 17
F430228.....	37, 39
F430231.....	9, 33, 35
F430232.....	15, 17
F430239.....	41
F430241.....	37, 39
F430242.....	41
F430244.....	41
F431000.....	13
F431001.....	13, 15, 17, 25, 27
F431005.....	13
F431011.....	21
F431017.....	35
F431024.....	13, 21, 23, 25, 27, 29
F431026.....	25, 27, 29
F431036.....	29
F431047.....	25, 27, 29

---

## O

One-Way Valve	
F380763.....	15
F380953.....	15
F381700.....	15
F381727.....	17
O-Ring	
F170208.....	17
Out-of-Balance Switch Assembly	
F730438.....	37
Overflow Hose	
F150377.....	19
F150394.....	19
Overtravel Switch	
F340901.....	37, 39, 41
Overtravel Switch Extension	
F340913.....	37, 39, 41

---

## P

Pivot Lock Weldment	
F608536.....	25, 27, 29
Pivot Lock Weldment Kit	
F730564-1.....	21, 23
F746503.....	21, 23
Plug	
F140563.....	25, 27, 29
F180502.....	15
Plug Hose	
F607461.....	19
Pushbutton Mounting Base	
F340705.....	31

---

## R

RC Network Filter	
F330217.....	31, 35
Rear Panel	
F607335.....	9
F631695.....	9
F631696.....	9
Reducer Bushing	
F421936.....	19
Ribbon Cable	
F140218.....	35
F140219.....	35
Rod End Bearing	
F100140.....	37, 39
Rod Support	
F605857F.....	37
F605887F.....	39
Rub Rail	
F150404.....	7
F150405.....	7
F150406.....	7
Run/Program Switch	
F340800.....	33

---

## S

Screw	
F430103.....	19
F430144.....	37, 39
F430146.....	37, 39
F430148.....	37, 39
F430157.....	41
F430174.....	9
F430179.....	9, 13, 17
F430183.....	11
F430500.....	7
F430525.....	33
F430909.....	15, 17
F430916.....	9
F430920.....	35
F430921.....	7, 31
F430923.....	21, 23, 25, 27
F430925.....	7, 9, 17, 35, 43
F430928.....	31, 35
F430939.....	13
F430976.....	35
F430979.....	41
F430985.....	31
F430986.....	9
F430995.....	31
F432229.....	13
F432264.....	21, 23
F432285.....	25, 27, 29
F606612.....	13

Shell Assembly			
F741021-01.....	9		
F741021-02.....	9		
F741021-03.....	9		
F741021-04.....	9		
F741022-01.....	9		
F741022-02.....	9		
F741022-03.....	9		
F741022-04.....	9		
F741023-01.....	9		
F741023-02.....	9		
F741023-03.....	9		
Shell Band Assembly			
F603229.....	7		
F603656.....	7		
F603910.....	7		
F603911.....	7		
Shell Band Seal			
F170120.....	7		
F170125.....	7		
Shell Front Cover			
F606539.....	7, 27		
F607036.....	7, 25		
F607386.....	7		
Shell Front Weldment			
F631650.....	7		
F631651.....	7		
F633684.....	7		
Shim			
F631662.....	25, 27, 29		
Shock Absorber			
F250500.....	37, 39, 41		
F250501.....	41		
Shoulder Bolt Kit			
F746812-02.....	21		
F746817-02.....	23		
Side Panel			
F730399.....	9		
F730427.....	9		
F730437.....	9		
Soap Lid Hinge			
F190202.....	13		
F190205.....	13		
Solid-State Relay Board			
F370443.....	35		
Sponge Rubber			
F170128.....	35		
Spring			
F310107.....	31		
F310129.....	39		
F310130.....	37		
F310132.....	41		
Spring Assembly Kit			
F790502.....	41		
F790503.....	41		
F790506.....	39		
F790507.....	39		
F790509.....	39		
F790510.....	41		
Spring End			
F150380.....	37, 39		
F290302.....	41		
Spring Guide Rod			
F431224.....	41		
F431226.....	37		
F431227.....	39		
Spring Kit			
F790508.....	37		
Spring Lock Washer			
F431100.....	25, 27, 29		
Spring Pin			
F431222.....	21, 23, 25, 27, 29		
Spring Subassembly			
F790504.....	37		
F790505.....	37		
Steam Connection Weldment			
F606575.....	43		
Steam Heat Kit			
F730548.....	43		
Steam Injector Tube Assembly			
F603131.....	43		
Steam Valve			
F380786.....	43		
Steam Valve Rebuild Kit			
F380984.....	43		
Strain Relief Connector			
F140329.....	19, 43		
F140341.....	35		
Sump Plug Weldment			
F607460.....	19		
Supply Dispenser			
F606048.....	13		
F607022-2.....	13		
F607052-1.....	13		
Supply Dispenser Bracket			
F609663.....	13		
F609664.....	13		
Supply Dispenser Cover			
F606324.....	13		
F606728.....	13		
F749801.....	13		
Supply Dispenser Cup			
F150368.....	13		
F150369.....	13		
Supply Dispenser Gasket			
F606804.....	13		
F607060.....	13		
Supply Valve Plate			
F607518.....	17		
Switch Magnet			
F340502.....	21, 23, 25, 27, 29, 31		
<hr/>			
<b>T</b>			
Tag			
F230560.....	5		
Tee			
F420415.....	17		
Temperature Probe			
F370606.....	19		
Terminal			
F140766.....	31		
3-Way Valve			
F280951.....	17		
F380951.....	15		
F381725.....	15, 17		
Top Cover			
F605920.....	9		
F606719.....	9		
F634140.....	9		

Trim	
F170128.....	33
F170404.....	31
Trunnion Assembly Kit	
F730387-1.....	11
F730425-1.....	11
F730435-1.....	11
F730435-3.....	11
Tubing	
F150390.....	13
F200168.....	15, 17
F602794-1.....	19

---

## V

Vacuum Breaker	
F606031.....	15
Vacuum Breaker Weldment	
F607489.....	17
V-Ring Front Seal	
F100243.....	11
F100245.....	11
F100251.....	11
V-Ring Rear Seal	
F100245.....	11
F100249.....	11
F100250.....	11

---

## W

Washer	
F200500.....	15
F430317.....	7, 33
F430325.....	41
F430332.....	37, 39
F430920.....	41
F431100.....	7, 21, 23
F431105.....	13
F431106.....	31
F431108.....	13
F431113.....	35
F431118.....	21, 23
F431131.....	13, 15, 41
F431134.....	37, 39
F431137.....	23
F431142.....	21, 23, 25, 27, 29
F431143.....	21, 23, 25, 27, 29
F431907.....	21, 23, 25, 27, 29
F431917.....	21, 23
F431933.....	25, 27, 29
F431934.....	25, 27, 29
Water Connection Inlet Manifold	
F150246.....	15
F150247.....	15
WE-6 Computer Board	
F370534-20.....	33
WE-6 Interface Board	
F370446.....	35
WE-6 Program Key	
F370709.....	33