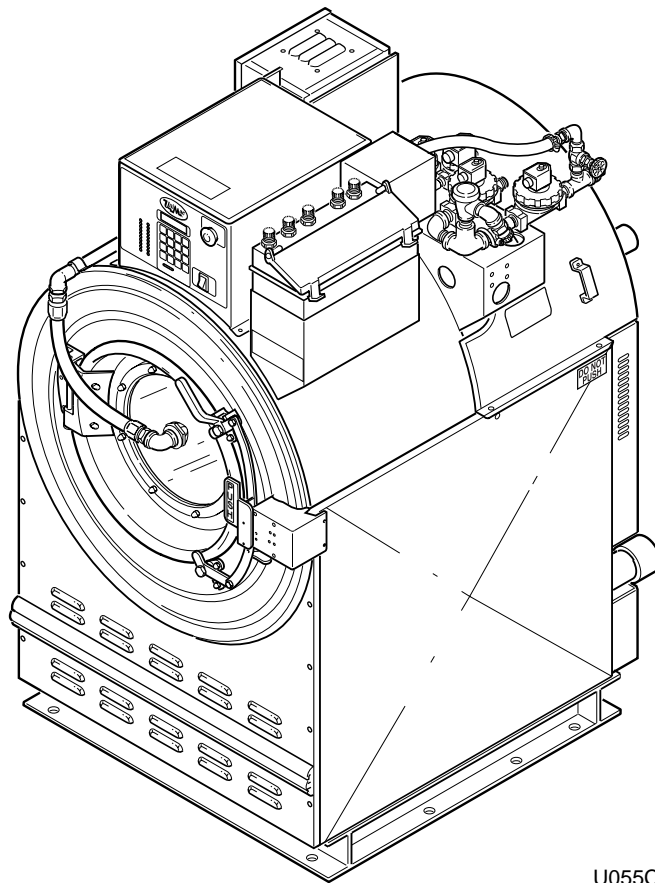


# Washer-Extractor

Pocket Hardmount

UW125PV

Parts



U055C

# Table of Contents

Title	Page
Parts Ordering Information .....	2
Nameplate Location .....	2
Model Identification .....	3
Control Module Assembly (New Style) .....	4
Control Module Assembly (Old Style) .....	6
AC Drive Box Assembly .....	8
AC Drive, Balance Switch and Control Transformer Assembly .....	10
Door Box Assembly (New Style) .....	12
Door Box Assembly (Old Style) .....	14
Door Assembly .....	16
Basket Assembly (Old Style) .....	18
Basket Assembly (New Style) .....	20
Soap Dispenser Assembly (Old Style) .....	22
Soap Dispenser Assembly (New Style) .....	24
Spray and Fill Plumbing Assembly (For 1 1/4 inch Fill Valves) .....	26
Spray and Fill Plumbing Assembly (For 3/4 inch Fill Valves) .....	28
Spray and Fill Plumbing Assembly (For 1/2 inch Fill Valves) .....	30
Drain Valve Assembly .....	32
Drain Valve and Hose Assembly .....	34
Ball Drain Assembly (3 inch Drain, for F380600) .....	36
Ball Drain Assembly (3 inch Drain, for F380628) .....	38
Motor and Belt Assembly .....	40
Cover Panels (Old Style) .....	42
Cover Panels (New Style) .....	44
Auxiliary Steam Heat Assembly .....	46
Direct Steam Heat Assembly .....	48
Parts Index .....	51

© Copyright 1999, Alliance Laundry Systems LLC

All rights reserved. No part of the contents of this book may be reproduced or transmitted in any form or by any means without the expressed written consent of the publisher.

# Parts Ordering Information

Alliance Laundry Systems is not responsible for personal injury or property damage resulting from improper service. Review all service information before beginning repairs.

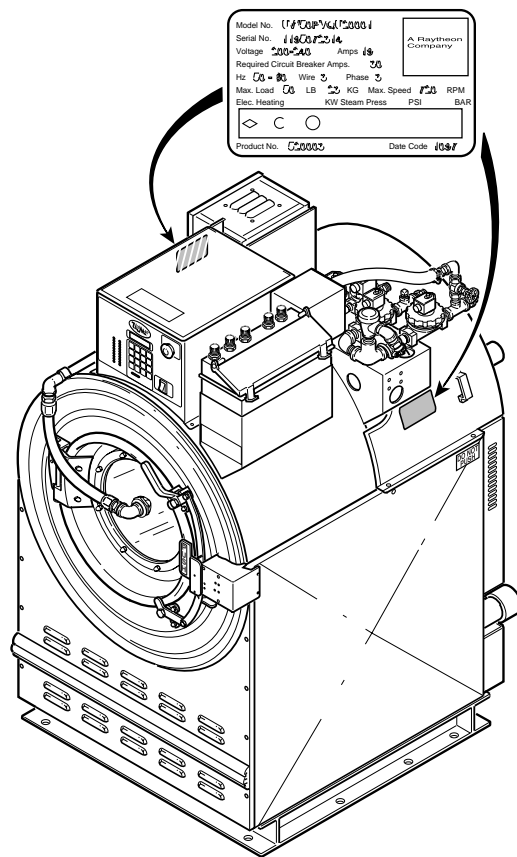
If literature or replacement parts are required, contact the source from whom the machine was purchased or contact Alliance Laundry Systems at (920) 748-3950 for the name of the nearest authorized parts distributor.

For technical assistance, call any of the following numbers:

(850) 718-1035  
(850) 718-1026  
Marianna, Florida  
(920) 748-3121  
Ripon, Wisconsin

## Nameplate Location

When calling or writing about your product, be sure to mention model and serial numbers. Model and serial numbers are located on nameplate(s) as shown.



U033M

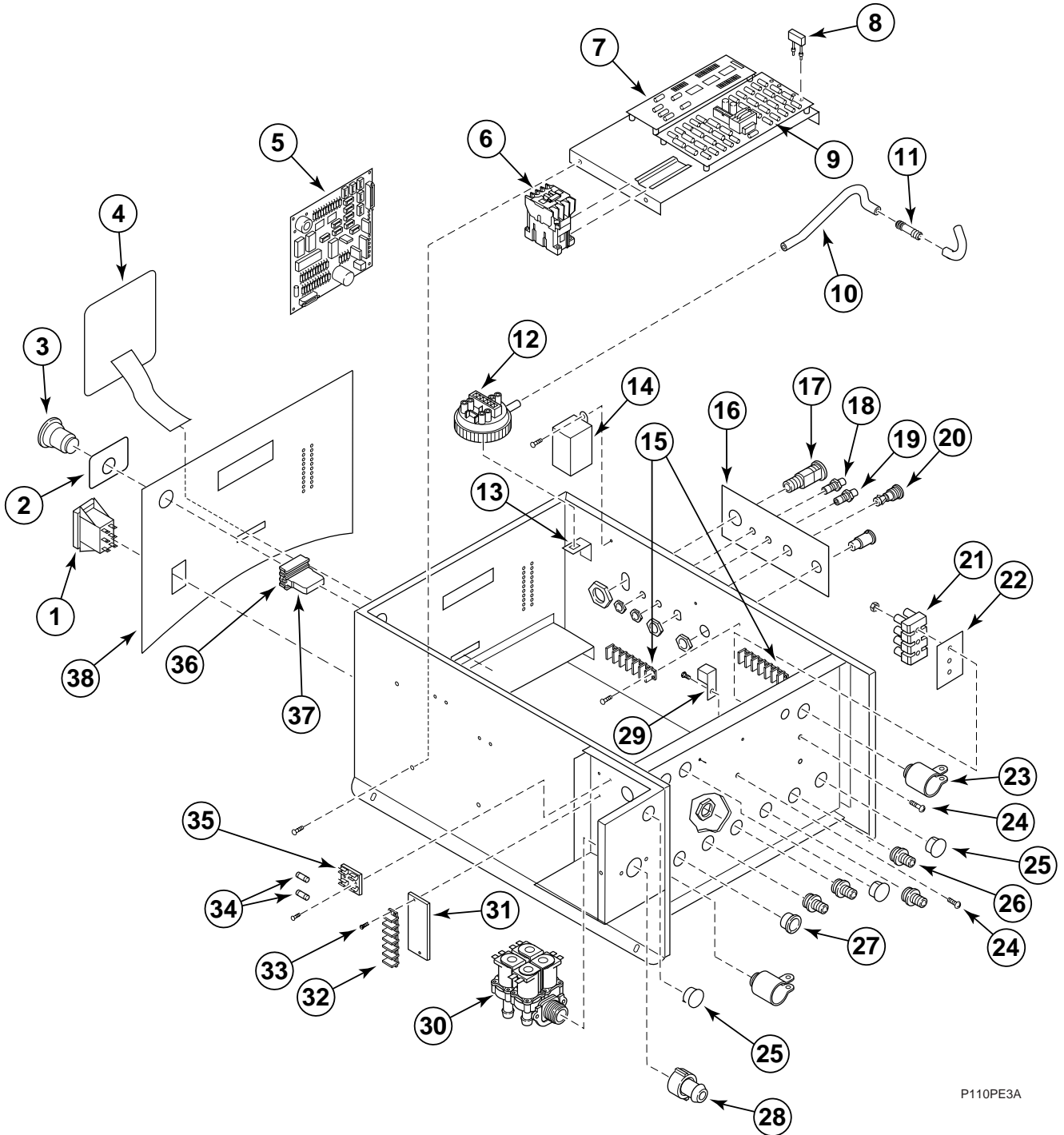
# Model Identification

Information in this manual is applicable to this washer-extractor:

UW125PV



# Control Module Assembly (New Style)

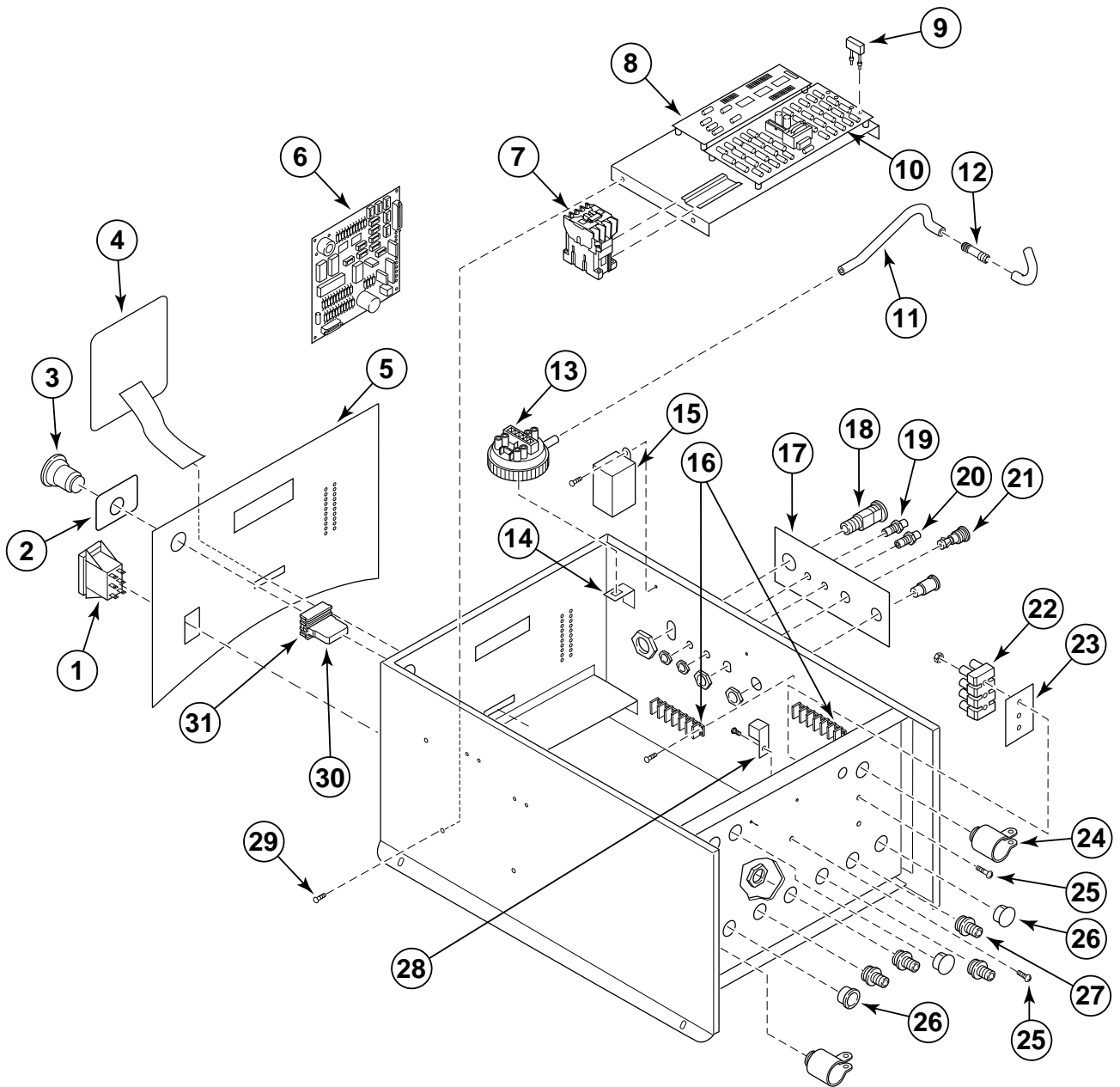


P110PE3A

## Control Module Assembly (New Style)

REF	PART #	DESCRIPTION	COMMENTS
1	F340412	Switch	
2	F231083	Decal	Emergency Stop
3	F340706	Emergency Stop Pushbutton	
4	F230724	Decal	
5	F370534-10	WE-6 Microcomputer Kit	
6	F330510	Contactora	30 Amp
7	F370577	Interface Board	
8	F330217	RC Network Filter	
9	F370535	Solid State Fuse/Relay Board	
10	F422404	Tubing	Sold per foot
11	F422500	Union	3/16" Connector
12	F340318	Water Level Switch	
13	F630242	Water Level Switch Bracket	
14	F300200	Buzzer	110 Volt
15	F140738	Terminal Strip	
16	F230678	Decal	
17	F730186	Keymode Switch/Run	
18	F140575	Feed-thru Connector	Gray
19	F140576	Feed-thru Connector	Blue
20	F350211	Circuit Breaker	3 Amp
21	F140746	Input Power Terminal Block	
22	F230677	Decal	
23	F140311	Connector	
24	F430916	Screw	
25	F140527	Plug	
26	F140309	Connector	
27	F140909	Bushing	
28	F200302	Connector	
29	F140734	Ground Lug	
30	F381724	4-way Supply Valve	120 Volt, Elbi
	F380715	4-way Supply Valve	120 Volt, Mueller
31	F230622	Decal	
32	F140782	Terminal Strip	
33	F430928	Screw	
34	F350115	Fuse	3 Amp
35	F350312	Fuseholder	Dual
36	F340705	Pushbutton Mounting Base	
37	F340429	Contact Block Switch	
38	F230721	Decal	

# Control Module Assembly (Old Style)



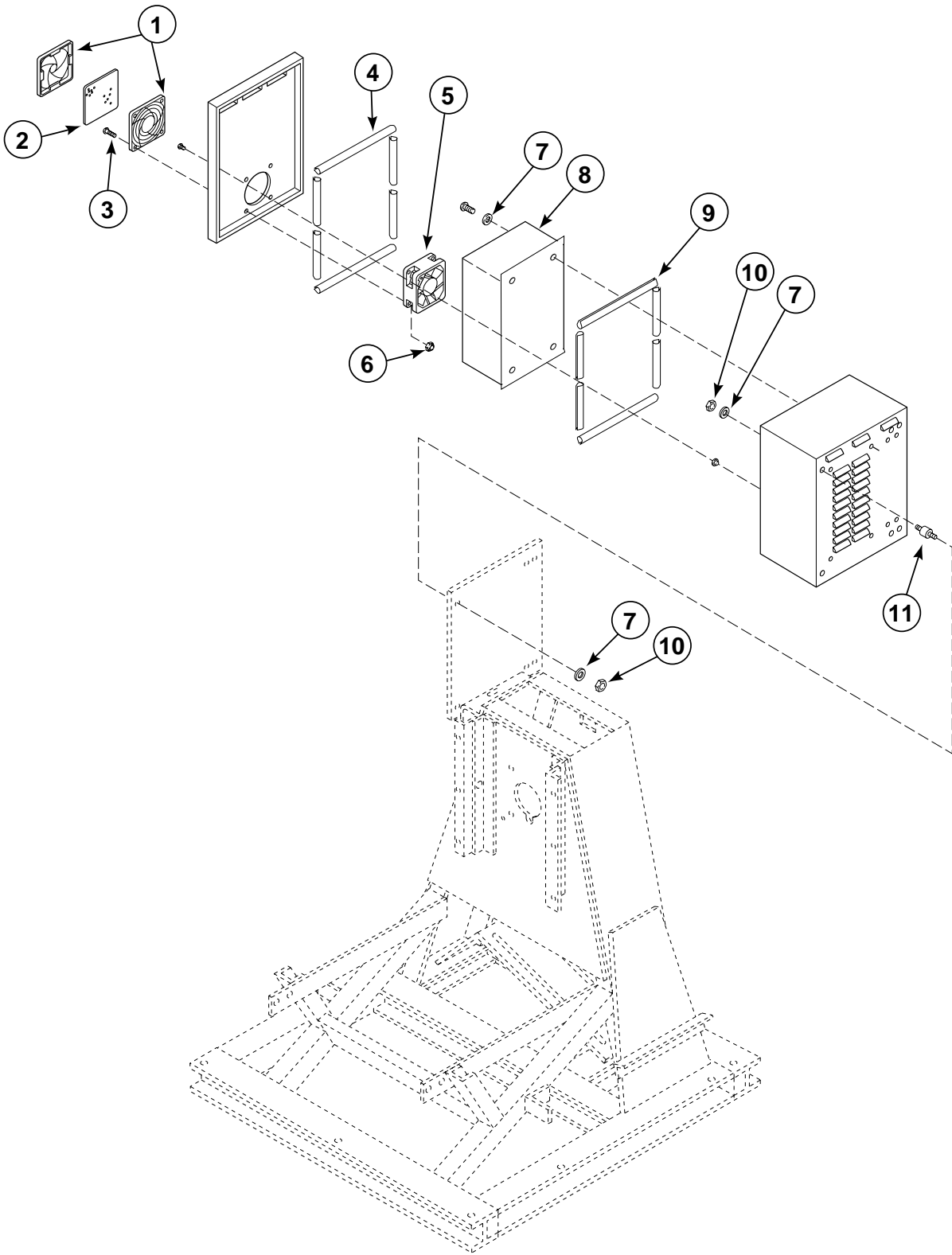
P109PE3B



## Control Module Assembly (Old Style)

REF	PART #	DESCRIPTION	COMMENTS
1	F340412	Switch	250 Volt
2	F231083	Decal	Emergency Stop
3	F340706	Emergency Stop Pushbutton	
4	F230724	Decal	
5	F230721	Decal	
6	F370534-10	WE-6 Microcomputer Kit	
7	F330150	Contactora	30 Amp
8	F370577	Interface Board	
9	F330217	RC Network Filter	
10	F370444	Relay Board	
11	F422404	Hose	Sold per foot
12	F422500	Union	3/16" Connector
13	F340318	Water Level Switch	Tri-Level
14	F630242	Water Level Switch Bracket	
15	F300200	Buzzer	120 Volt
16	F140738	Terminal Strip	
17	F230678	Decal	
18	F730186	Keymode Switch/Run	
19	F140575	Feed-thru Connector	Gray
20	F140576	Feed-thru Connector	Blue
21	F350211	Circuit Breaker	3 Amp
22	F140746	Input Power Block	
23	F230677	Decal	
24	F140311	Connector	
25	F430916	Screw	
26	F140527	Plug	
27	F140309	Connector	
28	F140734	Ground Lug	
29	F430928	Screw	
30	F340429	Contact Block Switch	
31	F340705	Pushbutton Mounting Base	

# AC Drive Box Assembly

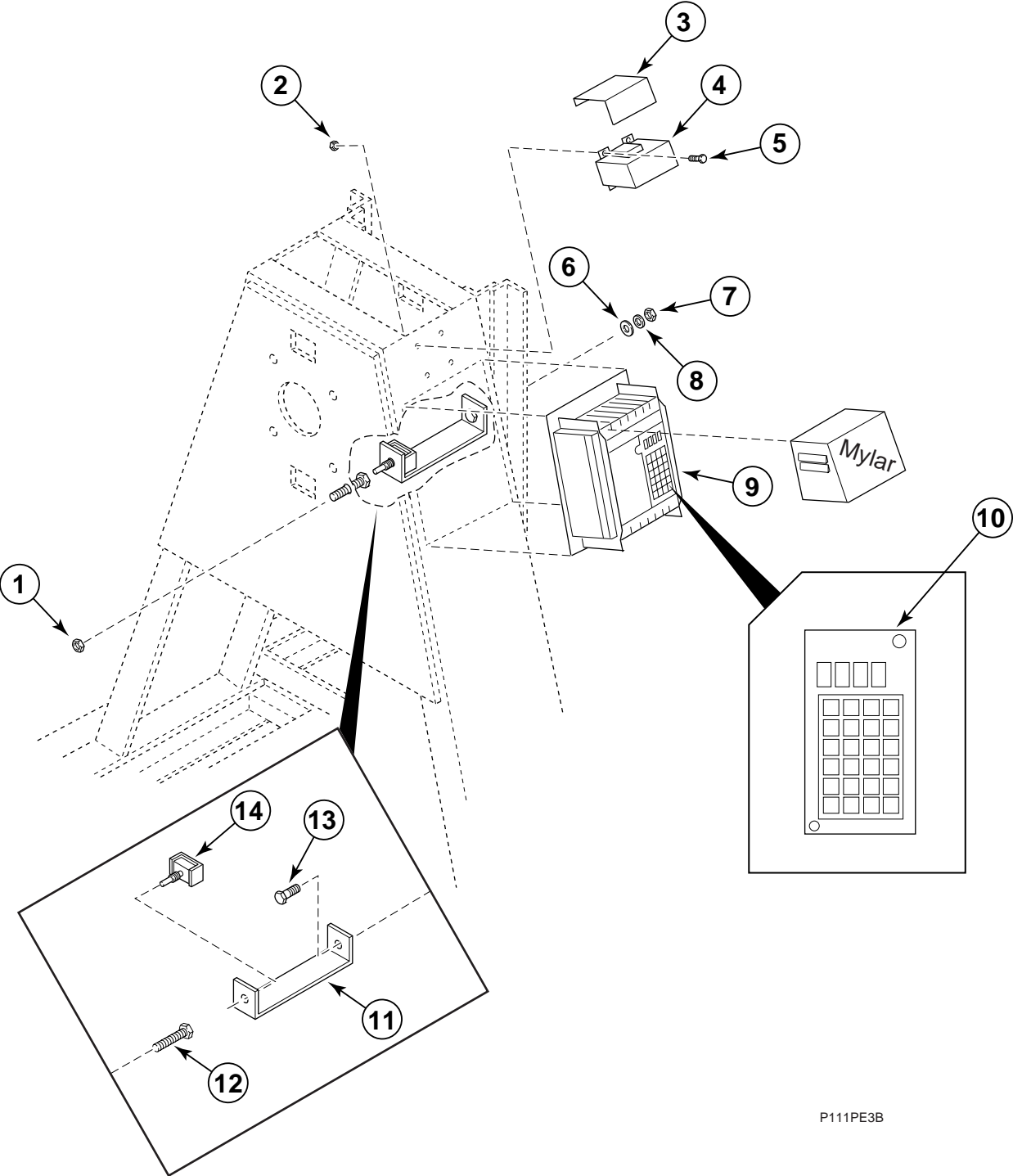


Po96PE3C

# AC Drive Box Assembly

REF	PART #	DESCRIPTION	COMMENTS
1	F220900	Filter Retainer Guard	
2	F370321	Filter Mesh	
3	F430916	Screw	
4	F170158	Gasket	Sold per foot
5	F110106	Muffin Fan	120 Volt
6	F430231	Nut	
7	F431100	Lockwasher	
8	F370837	Inverter Drive	200 Volt
	F370834	Inverter Drive	400 Volt
9	F170402	Gasket	Sold per foot
10	F430215	Nut	
11	F432219	Insulator Mount	

# AC Drive, Balance Switch and Control Transformer Assembly

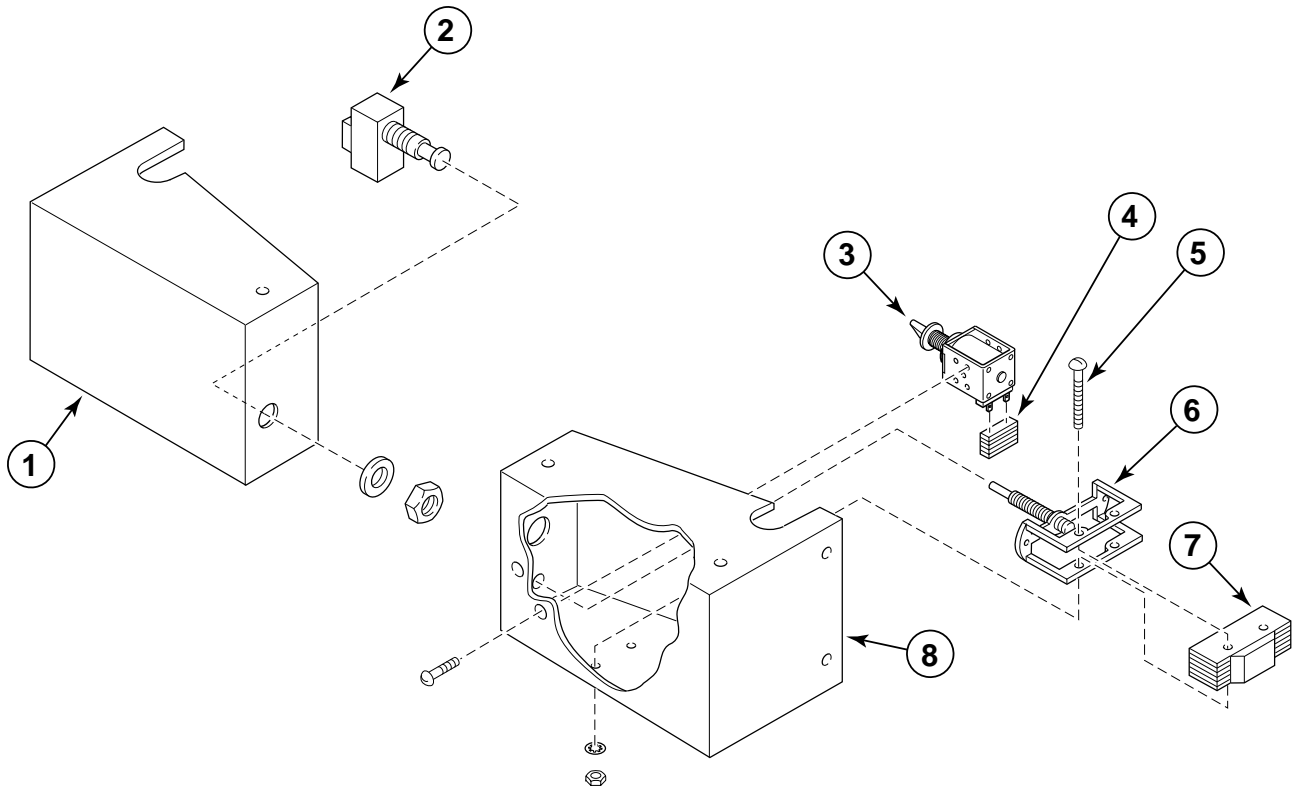


P111PE3B

## AC Drive, Balance Switch and Control Transformer Assembly

REF	PART #	DESCRIPTION	COMMENTS
1	F430206	Nut	
2	F430215	Nut	
3	F140425	Transformer Cover	Mylar Cover
4	F360125	Control Transformer	
5	F430107	Bolt	
6	F430301	Washer	
7	F430205	Nut	
8	F430305	Washer	
9	F744062	Retro Kit	Q Voltage models, To A&B Drive
	F744063	Retro Kit	P and N Voltage models, A to AB Drive
	F744064	Retro Kit	P Voltage models, To A&B Drive
	F744065	Retro Kit	Q Voltage models, A to AB Drive
10	F370575	Parameter Unit	Z-Drive
	F370594	Parameter Unit	A-Drive
	F370597	Parameter Unit	AB-Drive
11	F601750	Balance Switch Bracket	
12	F430124	Screw	
13	F430109	Bolt	
14	F340906	Microswitch	

# Door Box Assembly (New Style)

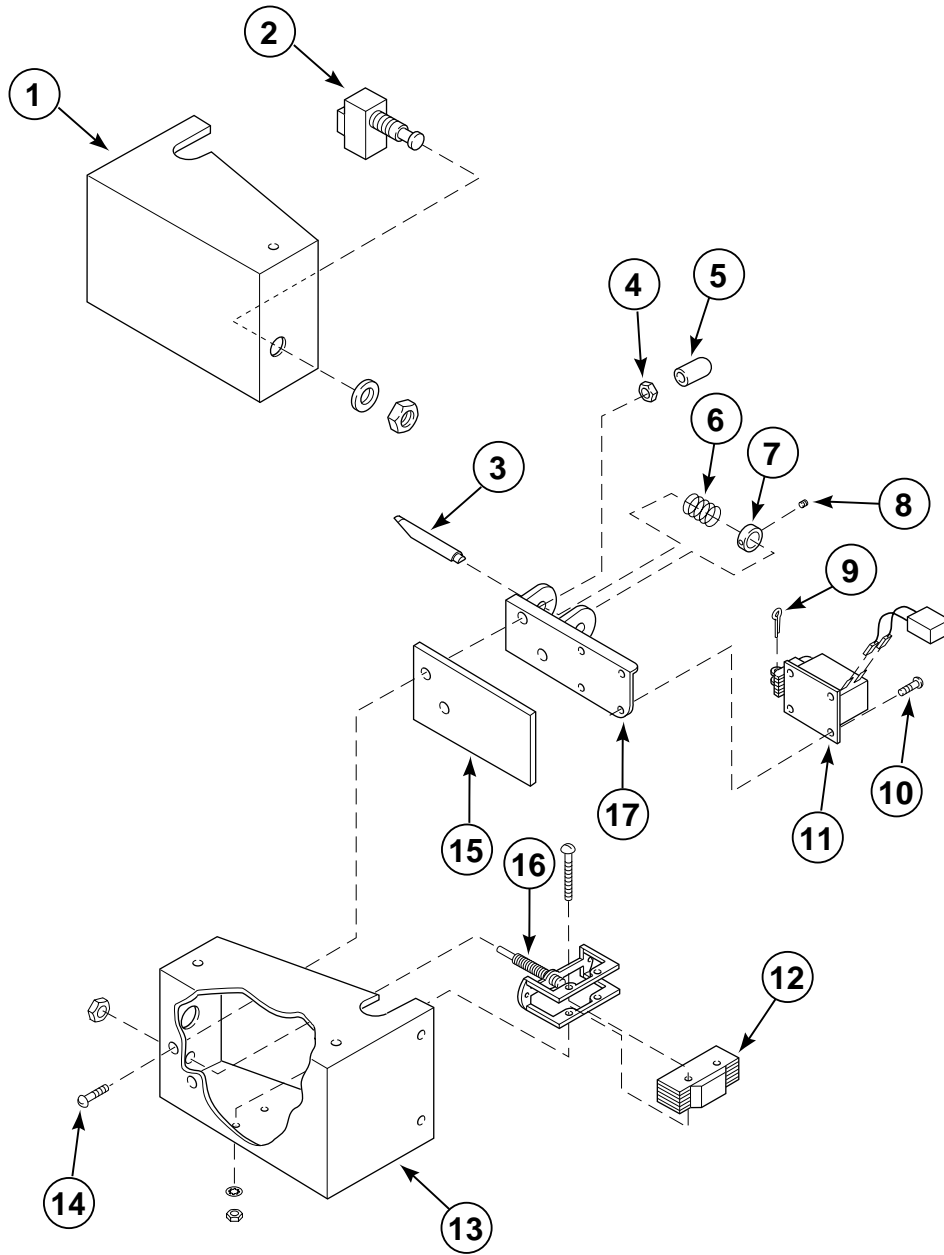


P112PE3A

## Door Box Assembly (New Style)

REF	PART #	DESCRIPTION	COMMENTS
1	F601706	Door Box	Left
2	F340900	Door Hinge Microswitch	
3	F300118	Door Unlock Solenoid	120Volt
4	F330217	RC Network Filter	
5	F430995	Screw	
6	F340913	Extension Arm Microswitch	
7	F340901	Door Handle Microswitch	
8	F601707	Door Box	Right

# Door Box Assembly (Old Style)



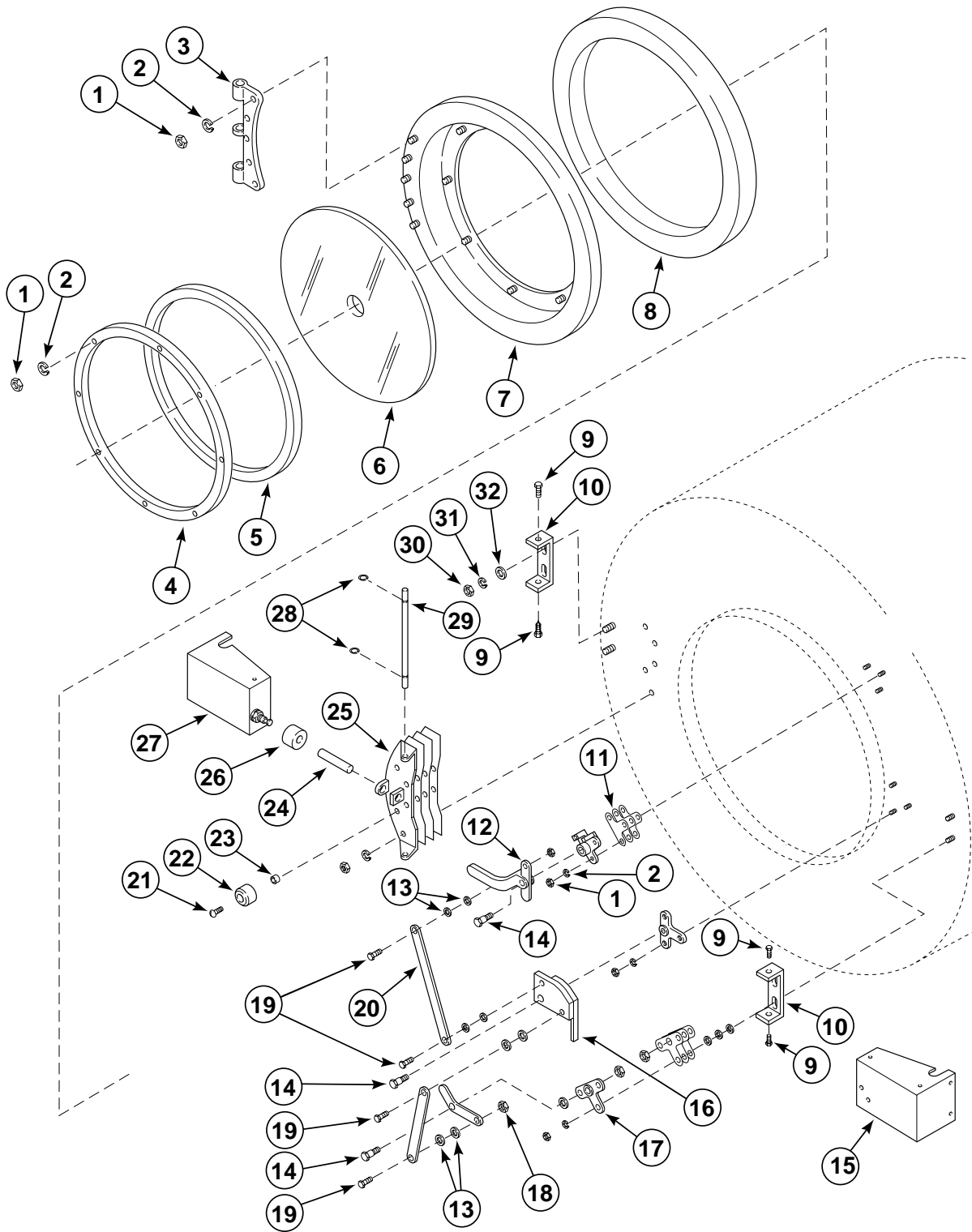
P079PE3C



## Door Box Assembly (Old Style)

REF	PART #	DESCRIPTION	COMMENTS
1	F601706	Door Box	Left
2	F340900	Door Hinge Microswitch	
3	F601081	Door Lock Plunger	
4	F430211	Nut	
5	F190300	Insulator	
6	F310119	Spring	
7	F601190	Door Lock Collar	
8	F430502	Set Screw	
9	F431201	Cotter Pin	
10	F430917	Screw	
11	F300101	Door Unlock Solenoid	120 Volt
12	F340901	Door Hinge Switch	
13	F601707	Door Box	Right
14	F430925	Screw	
15	F170135	Gasket	
16	F340913	Switch Extension	
17	F150200	Mounting Bracket	

# Door Assembly

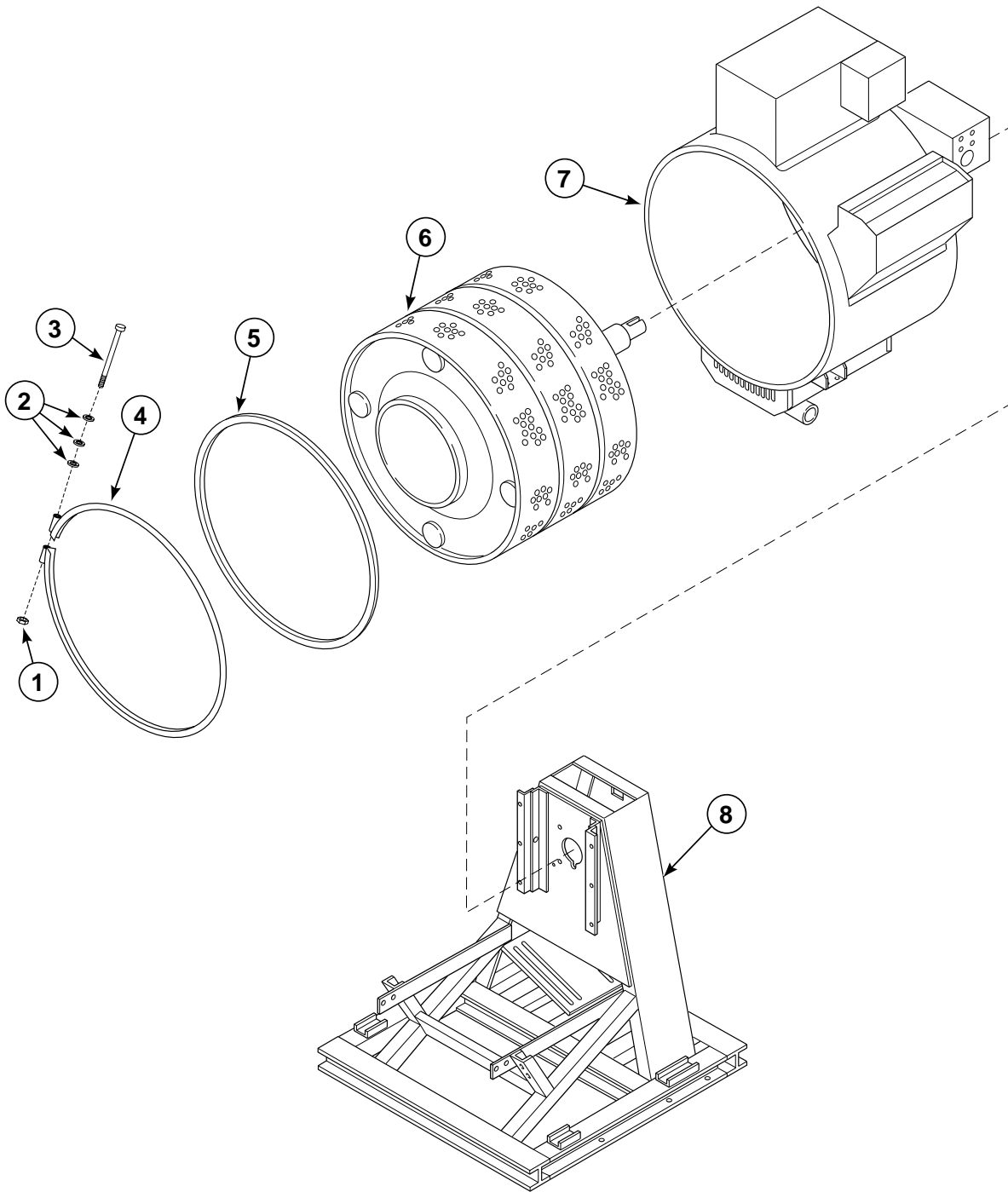


P104PE3B

# Door Assembly

REF	PART #	DESCRIPTION	COMMENTS
1	F431026	Nut	
2	F431100	Washer	
3	F150233	Door Butt Hinge	
4	F320102	Door Glass Retainer	
5	F170115	Gasket	Sold per foot
6	F290204	Door Glass	
7	F730316	Door Assembly Kit	
8	F170162	Door Gasket	
9	F430904	Screw	
10	F601129	Door Box Strap	
11	F602058	Latch Bracket Shim	
12	F150203	Door Handle	
13	F431118	Washer	
14	F430168	Shoulder Bolt	
15	F601707	Door Box	Right
16	F608803	Plate	
17	F150202	Lower Latch Bracket	
18	F430205	Nut	
19	F430927	Bolt	
20	F610220	Extension Arm	Short
21	F430103	Bolt	
22	F150366	Door Bumper	
23	F430416	Door Bumper Bushing	
24	F603105	Door Cam Adjusting Rod	
25	F150228	Door Hinge Strap	
26	F604730	Door Cam Adjusting Nut	
27	F601706	Door Box	Left
28	F310215	Retainer Ring	
29	F601704	Door Pin	
30	F430215	Nut	
31	F431100	Lockwasher	
32	F430317	Washer	

# Basket Assembly (Old Style)

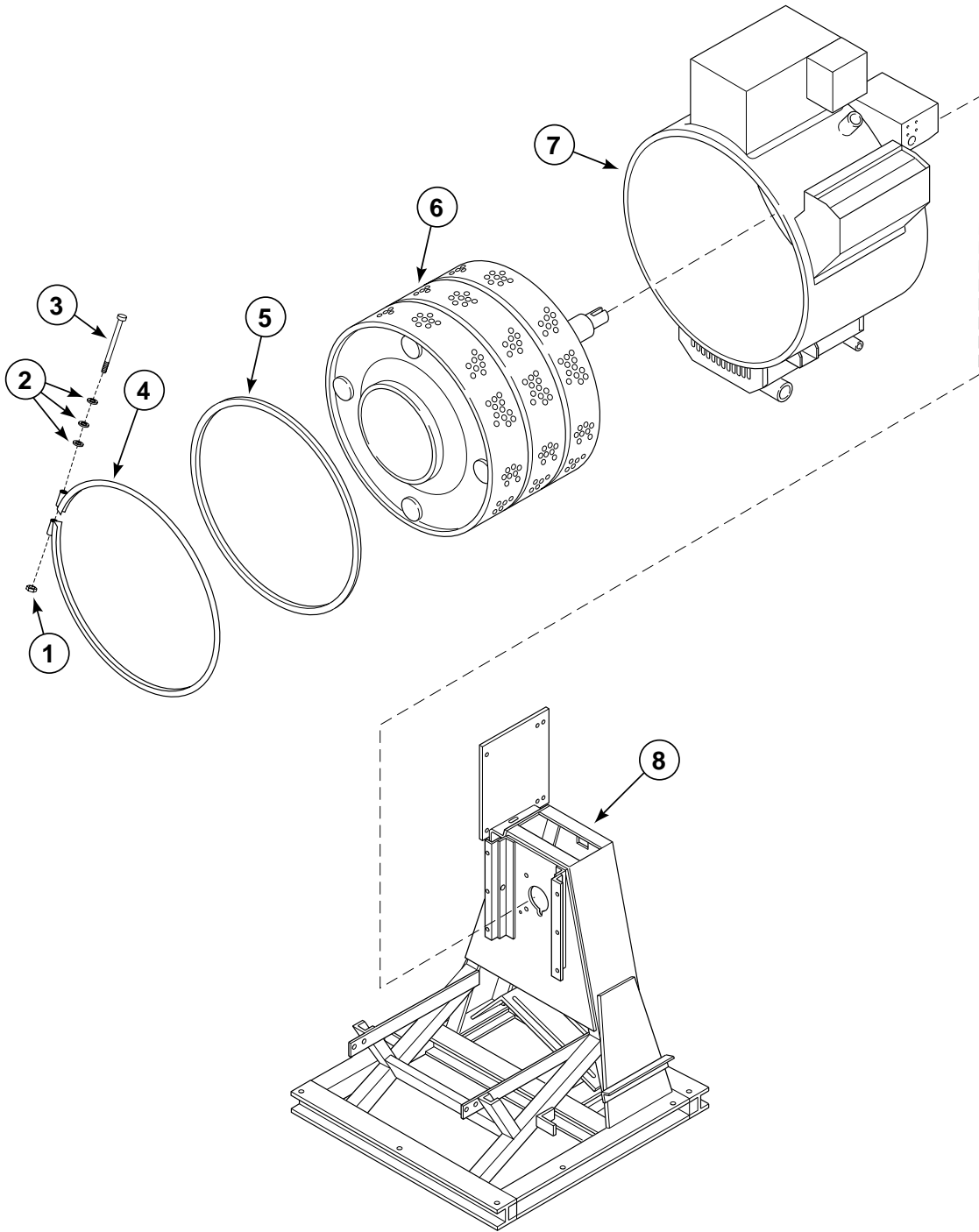


P099Pe3a

## Basket Assembly (Old Style)

REF	PART #	DESCRIPTION	COMMENTS
	F791001	Shell Band Bolt Kit	Includes reference numbers 1-3
1	F430211	Nut	
2	F430317	Washer	
3	F430500	Bolt	
4	F603630	Shell Band	
5	F170120	Gasket	Sold per foot
6	F603686-1	Basket/Shaft Assembly	Standard
7	F603685	Shell Assembly	Standard
8	F601754-1	Frame Assembly	

# Basket Assembly (New Style)

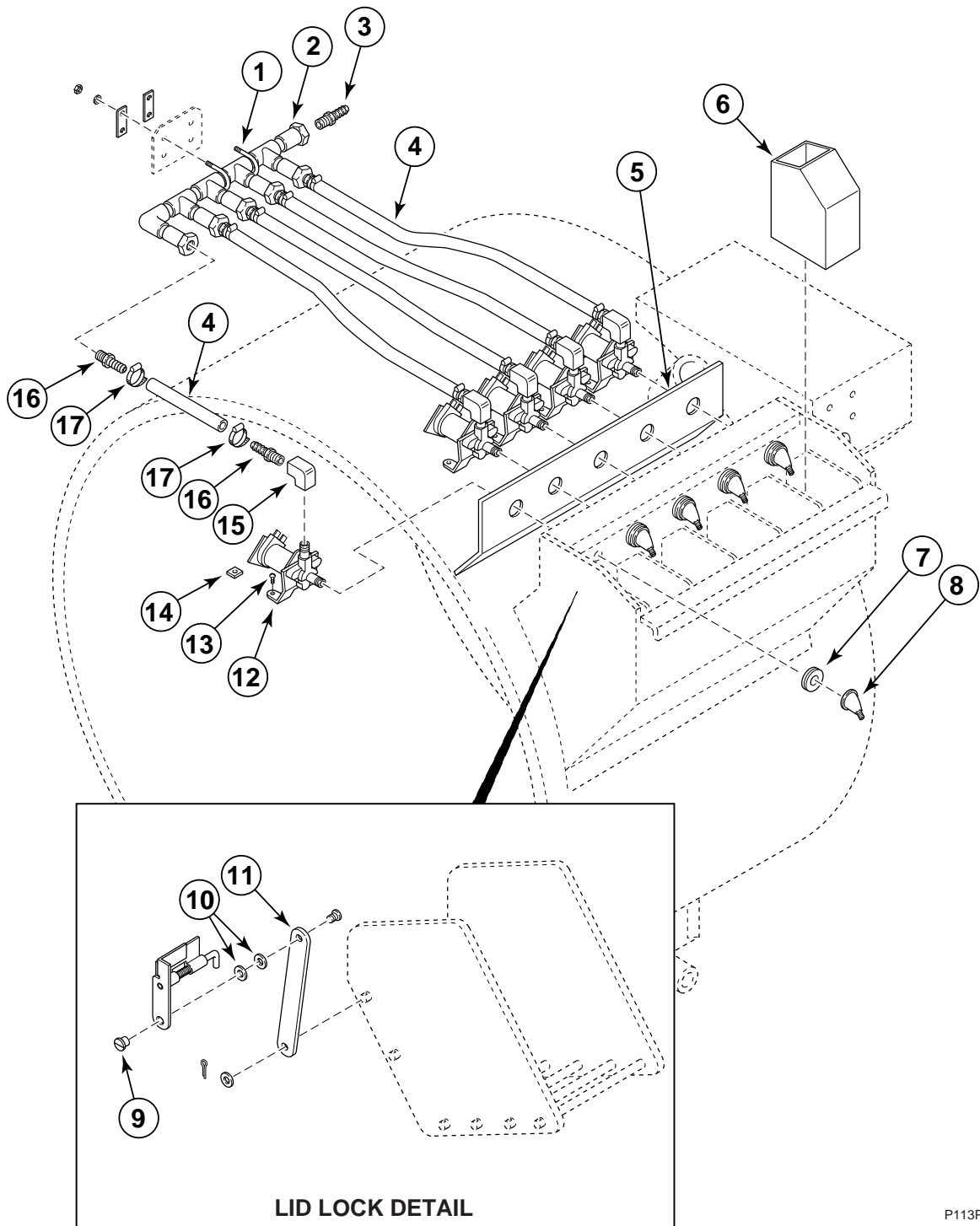


P100Pe3a

## Basket Assembly (New Style)

REF	PART #	DESCRIPTION	COMMENTS
1	F430211	Nut	
2	F430317	Washer	
3	F430500	Bolt	
4	F603630	Shell Band	
5	F170120	Gasket	Sold per foot
6	F603686-1	Basket/Shaft Assembly	Standard
7	F634440	Shell Assembly	Standard
8	F634021	Frame Assembly	

# Soap Dispenser Assembly (Old Style)



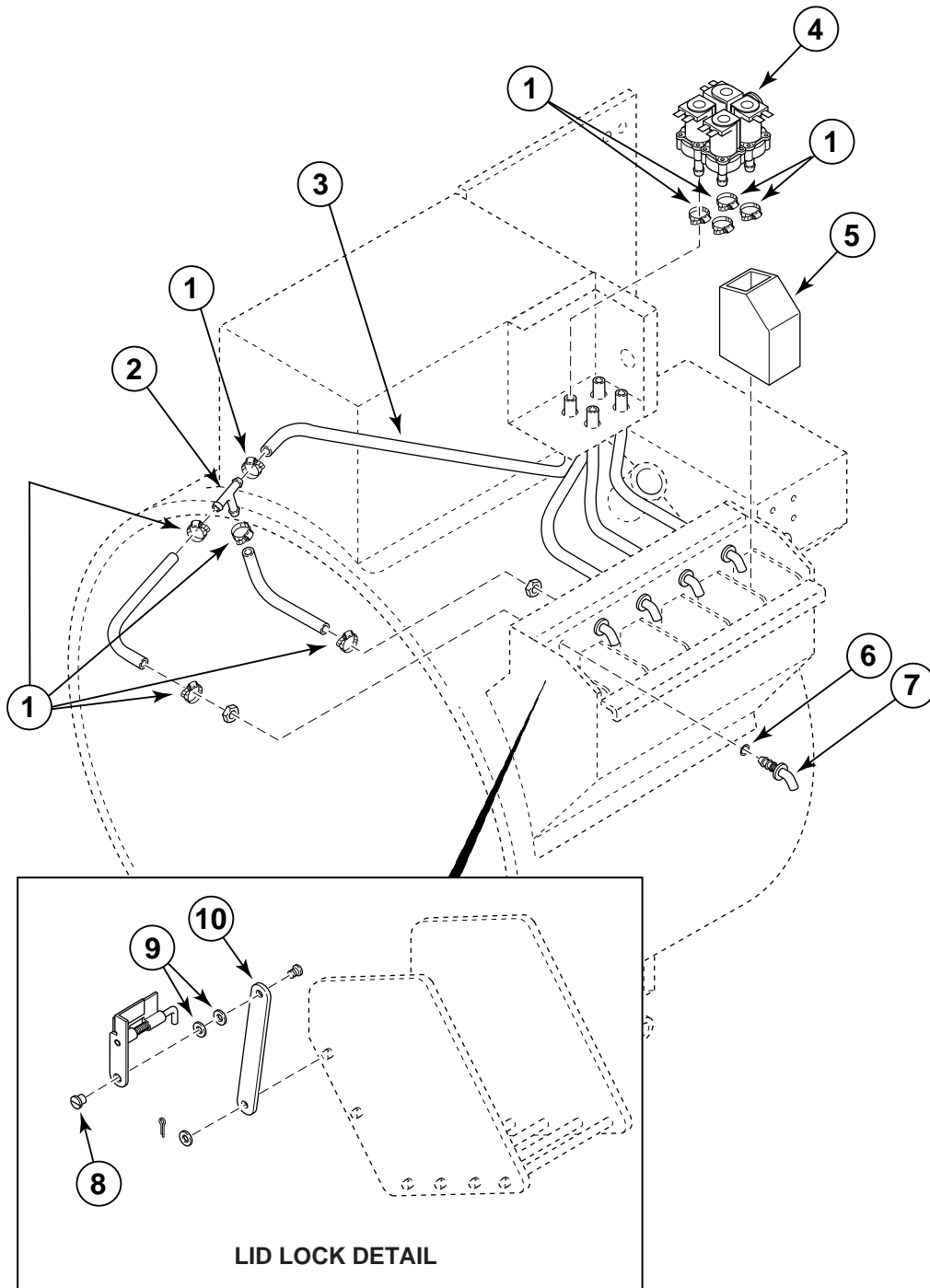
P113PE3A



## Soap Dispenser Assembly (Old Style)

REF	PART #	DESCRIPTION	COMMENTS
	F604602	Supply Valve Manifold Assembly	120 Volt
1	F200401	U-Bolt	#5
2	F603084	Soap Dispenser Manifold	
3	F421934	Hose Barb	
4	F200107	Hose	Sold per foot
5	F601795	Soap Dispenser Shelf	
6	F603413	Supply Dispenser Cup	64 ounce cup
7	F170603	Rubber Grommet	
8	F422310	Spray Rinse Nozzle	
9	F430147	Rivet Post	
10	F431123	Washer	#10
11	F601792	Soap Dispenser Link Arm	
12	F380708	Valve Solenoid	120 Volt
13	F430956	Screw	
14	F430606	Nut	
15	F422318	Elbow	
16	F421929	Hose Barb	
17	F200202	Clamp	#6

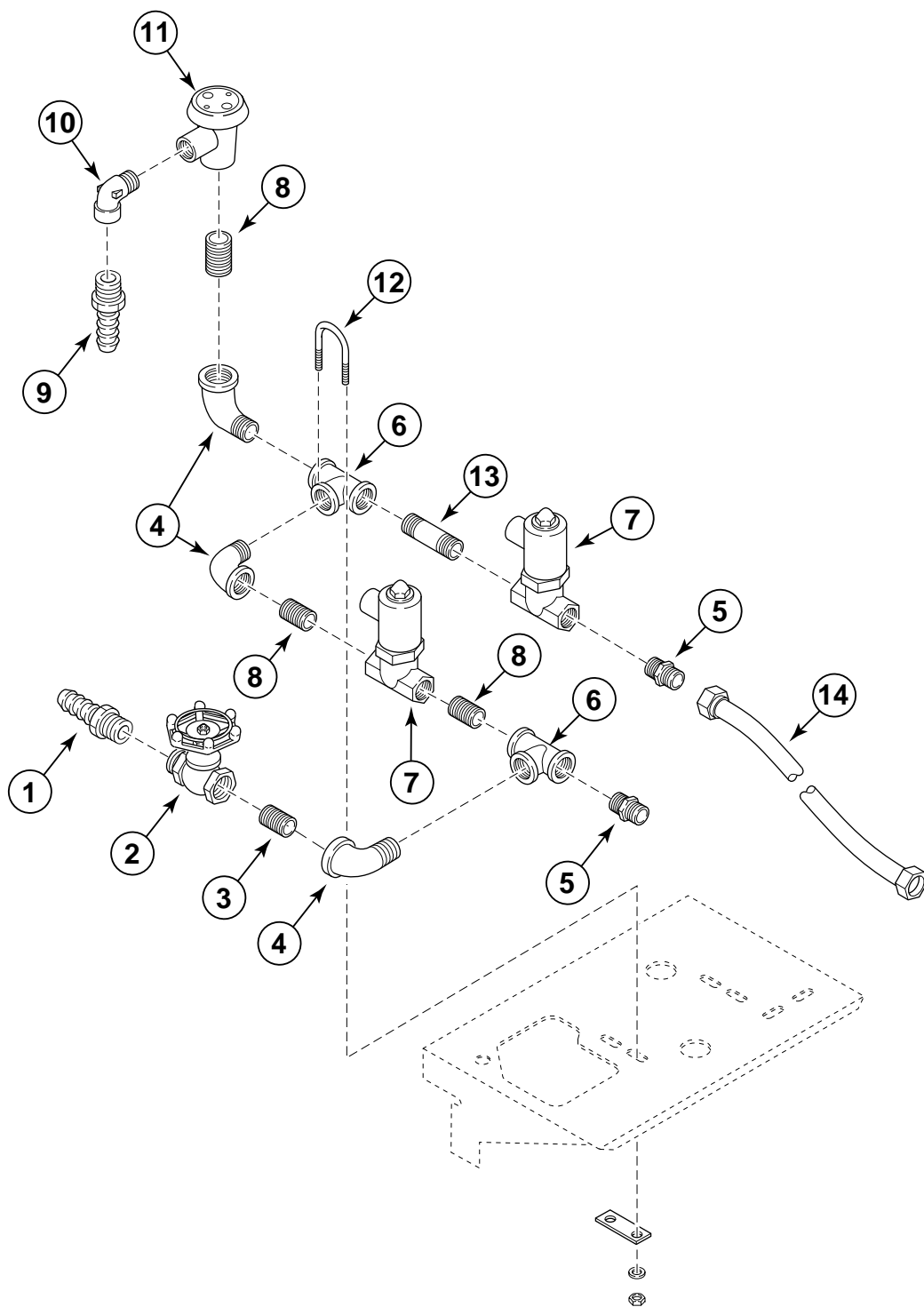
# Soap Dispenser Assembly (New Style)



## Soap Dispenser Assembly (New Style)

REF	PART #	DESCRIPTION	COMMENTS
1	F200202	Clamp	#6
2	F422808	"Y" Connector	
3	F200107	Hose	Sold per foot
4	F380715	4-Way Valve	Mueller
	F381724	4-Way Valve	Elbi
5	F603413	Soap Dispenser Cup	
6	F170603	Grommet	For Injection Nozzle
7	F730168	Injection Kit	
8	F430147	Post Rivet	
9	F431123	Washer	
10	F601792	Soap Dispenser Link Arm	

# Spray and Fill Plumbing Assembly (For 1 1/4 inch Fill Valves)

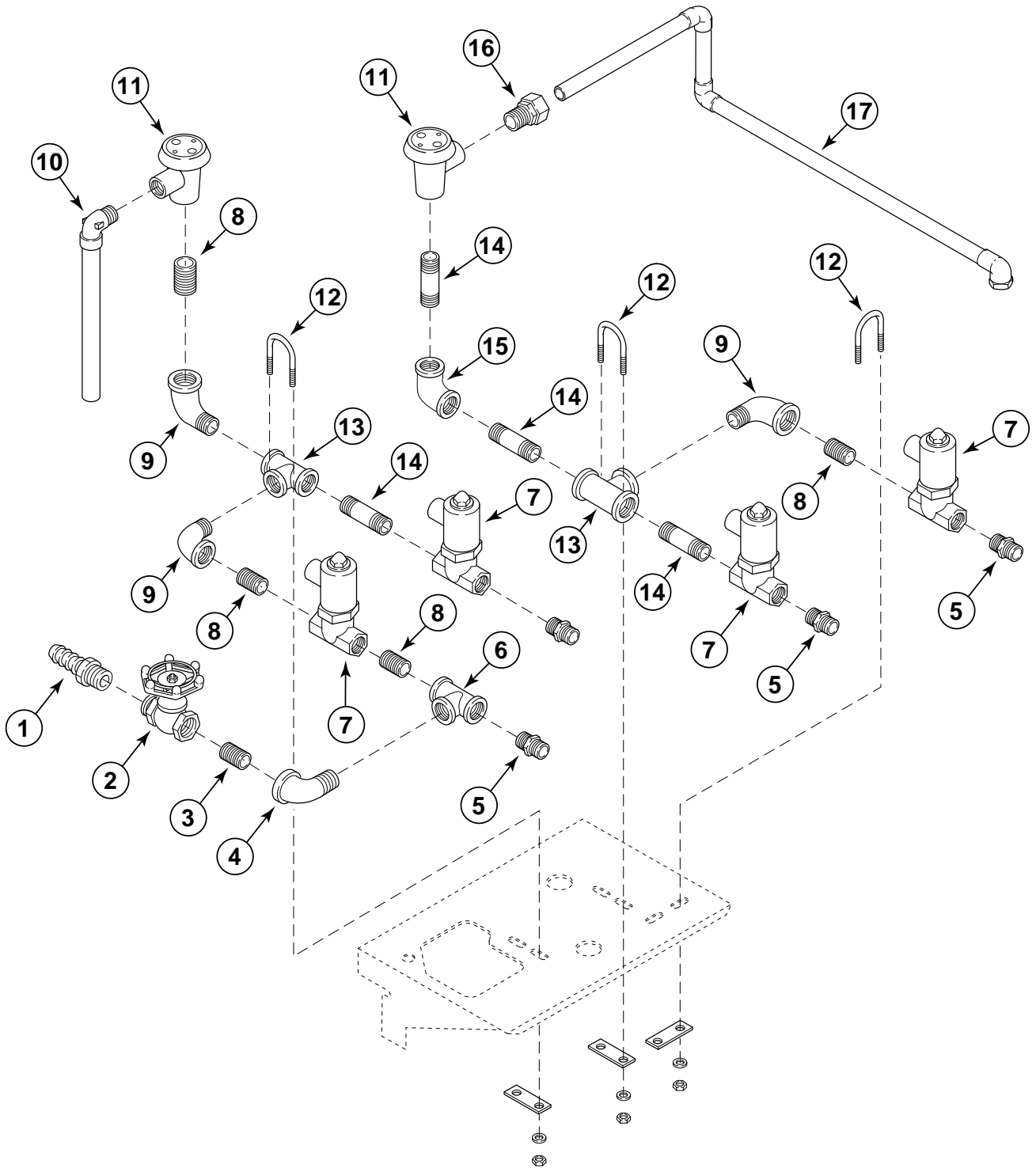


P119PE3A

## Spray and Fill Plumbing Assembly (For 1 1/4 inch Fill Valves)

REF	PART #	DESCRIPTION	COMMENTS
1	F421930	Hose Barb	
2	F380500	Valve	Gate
3	F430101	Nipple	
4	F420500	Elbow	
5	F421948	Nipple	
6	F420410	Tee	
7	F380724	Valve	120 Volt, Hays
8	F420122	Nipple	
9	F421950	Hose Barb	
10	F420508	Elbow	
11	F380802	Vacuum Breaker	
12	F200408	U-Clamp	#13
13	F420138	Nipple	
14	F200187	Hose	

# Spray and Fill Plumbing Assembly (For 3/4 inch Fill Valves)

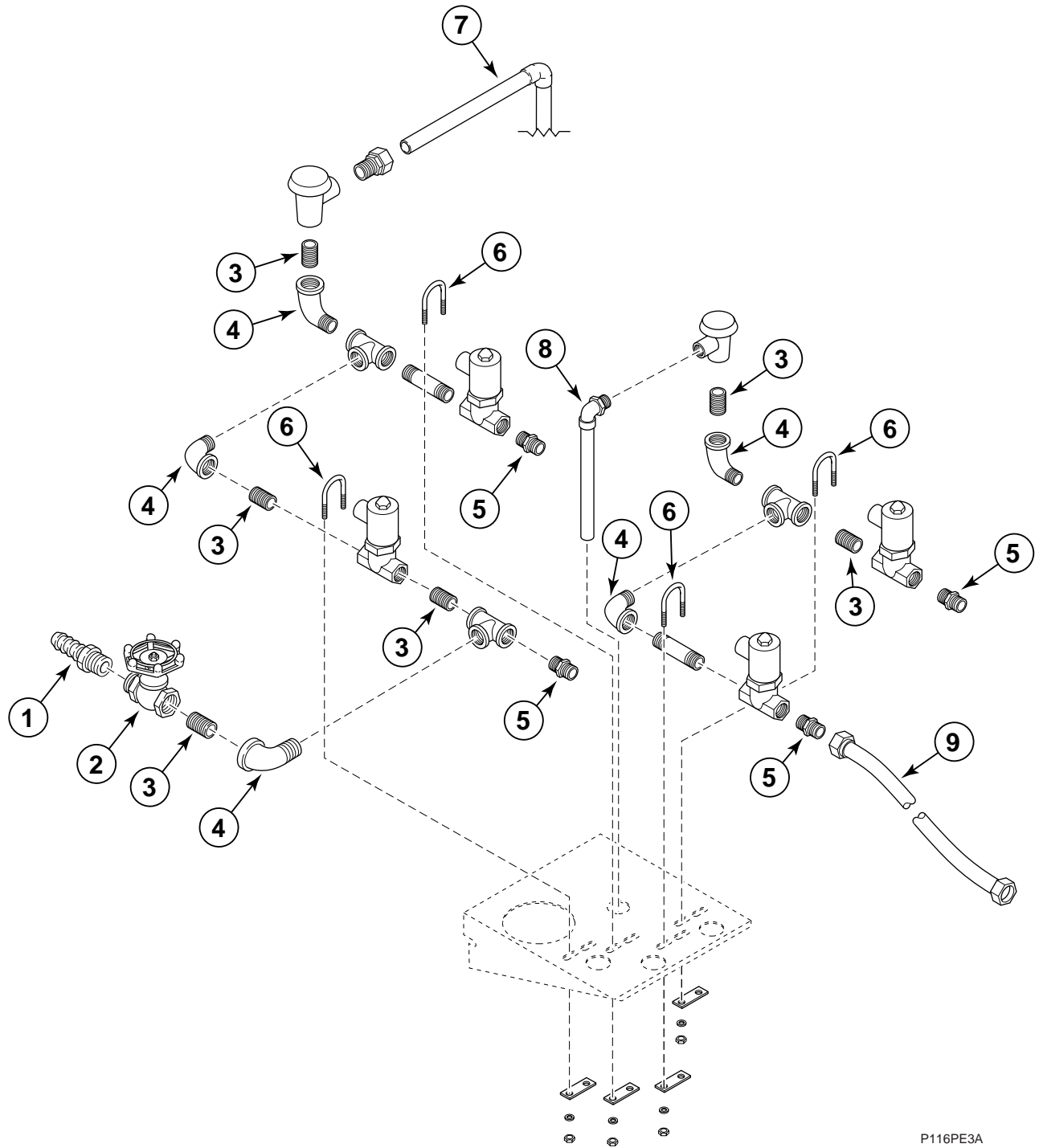


P115PE3A

## Spray and Fill Plumbing Assembly (For 3/4 inch Fill Valves)

REF	PART #	DESCRIPTION	COMMENTS
1	F421930	Hose Barb	
2	F380500	Gate Valve	
3	F420101	Nipple	
4	F420500	Elbow	
5	F421909	Hose Adapter	
6	F420402	Tee	
7	F380702	Valve	110 Volt, Hays
8	F420122	Nipple	
9	F420502	Elbow	
10	F610260	Top Fill Tube	
11	F380800	Vacuum Breaker	
12	F200402	U-Clamp	Includes Hardware
13	F420403	Tee	
14	F420107	Nipple	
15	F420503	Elbow	
16	F422106	Tube Connector	
17	F610363	Spray Rinse Assembly	

# Spray and Fill Plumbing Assembly (For 1/2 inch Fill Valves)



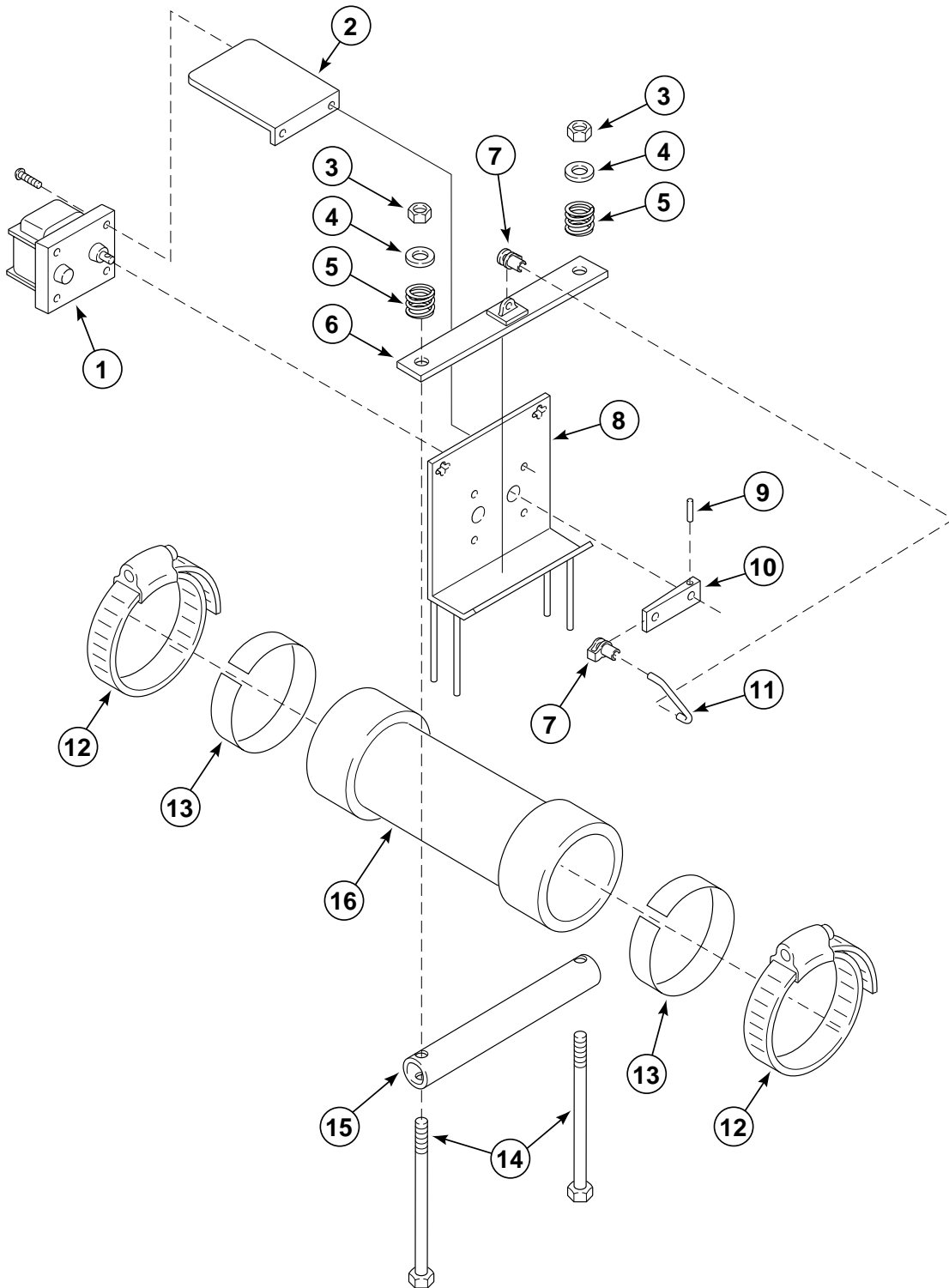
P116PE3A



## Spray and Fill Plumbing Assembly (For 1/2 inch Fill Valves)

REF	PART #	DESCRIPTION	COMMENTS
1	F421930	Hose Barb	
2	F380500	Valve	
3	F420105	Nipple	
	F420101	Nipple	
4	F420500	Elbow	
5	F421908	Hose Adapter	
6	F200402	U-Bolt	
7	F610363	Spray Rinse Assembly	
8	F610260	Fill Assembly	Top
9	F200164	Hose	

# Drain Valve Assembly

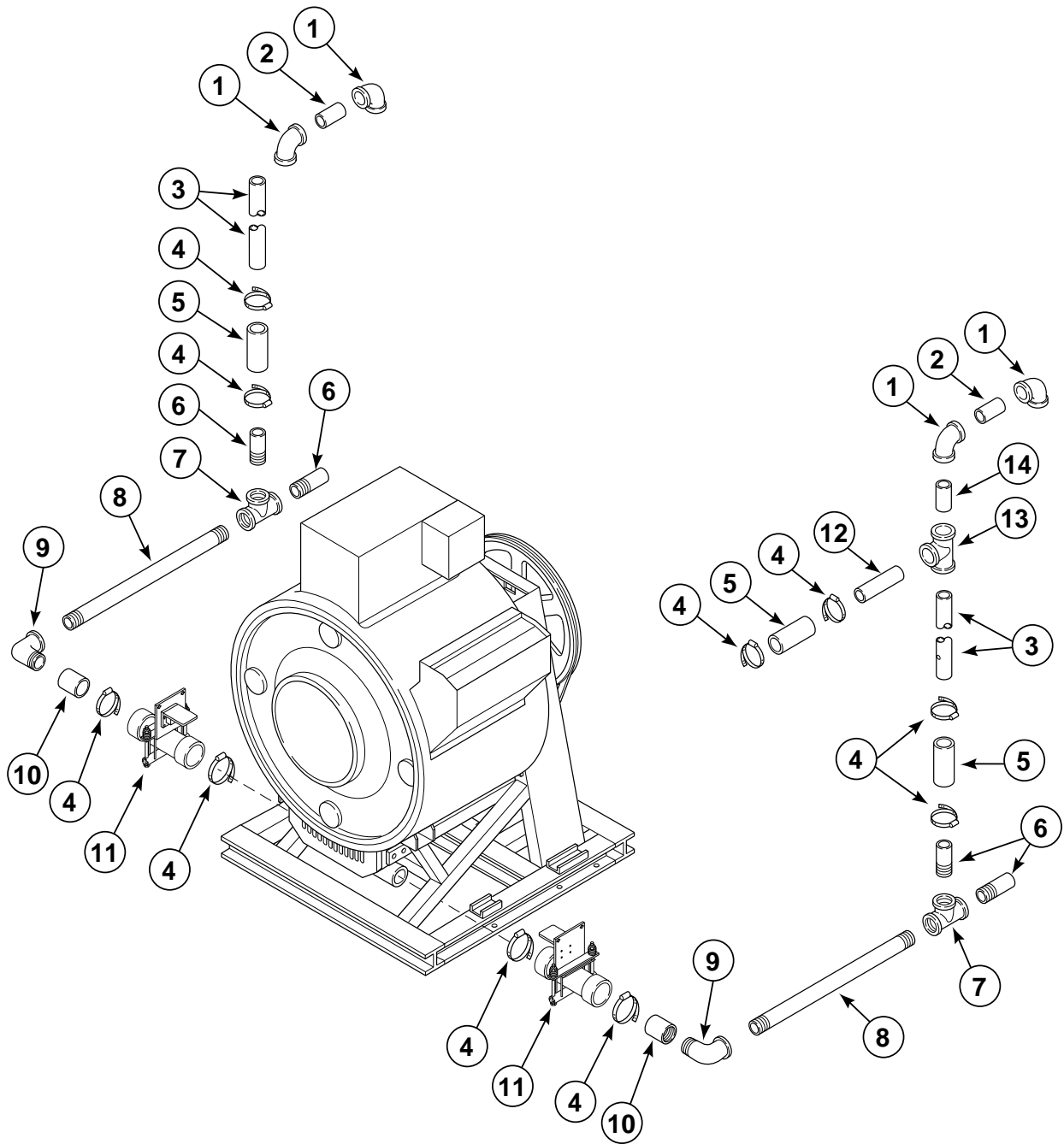


P102PE3B

# Drain Valve Assembly

REF	PART #	DESCRIPTION	COMMENTS
1	F380932	Drain Valve Motor	110 Volt, 60 Hertz
2	F602372	Drain Valve Motor Cover	
3	F430215	Nut	
4	F430317	Washer	
5	F310101	Spring	
6	F603441	Drain Valve Lift Bar	
7	F431205	Clevis Clip	
8	F602351	Drain Valve Bracket	
9	F431219	Roll Pin	
10	F602222	Drain Valve Arm	
11	F602274	Drain Valve Linkage	
12	F200201	Clamp	#56
13	F601244	Chafe Strip	
14	F430101	Screw	
15	F602101	Drain Valve Lift Tube	
16	F200126	Hose	Pinch

# Drain Valve and Hose Assembly

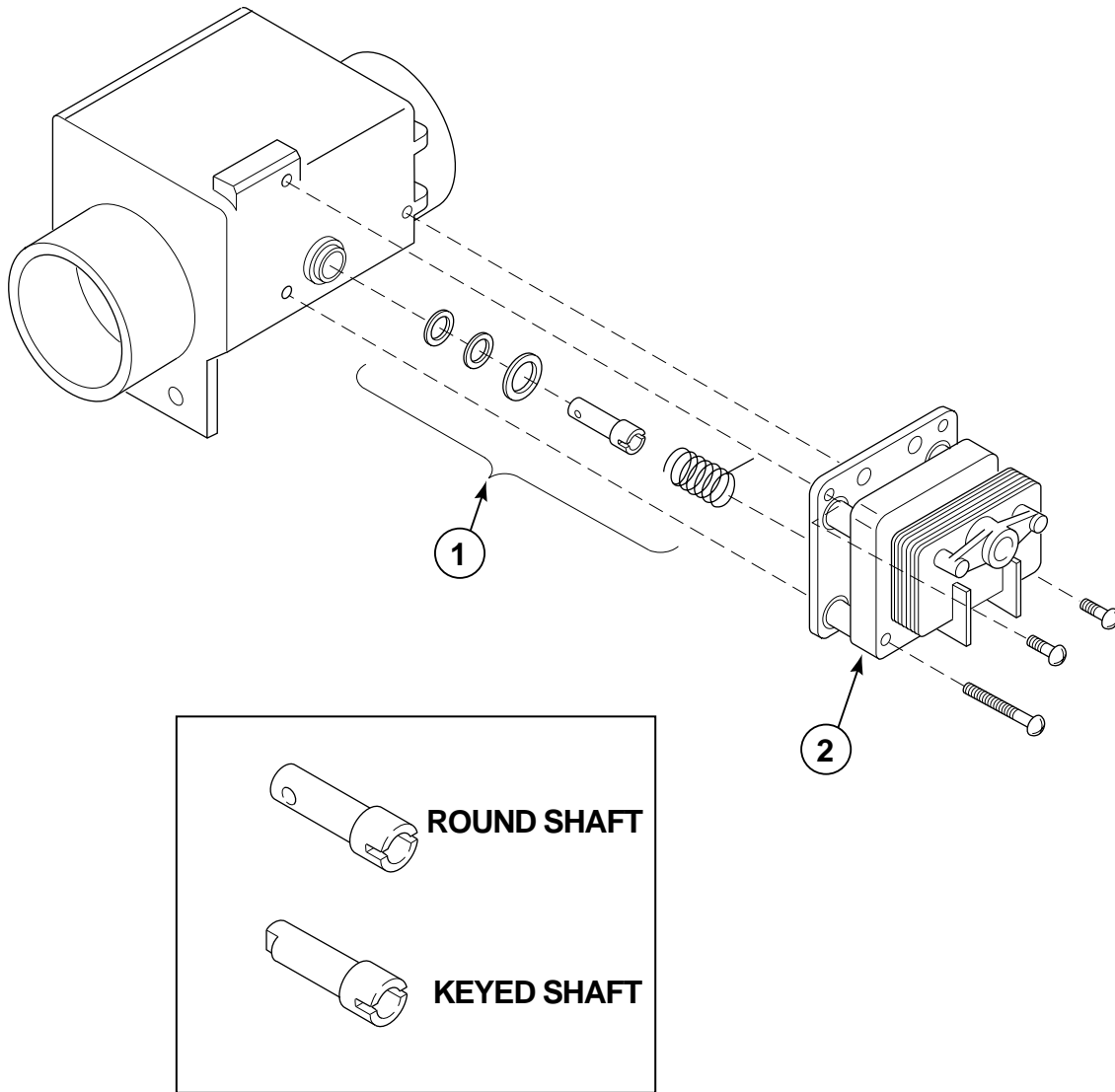


P093PE3B

## Drain Valve and Hose Assembly

REF	PART #	DESCRIPTION	COMMENTS
1	F422900	Elbow	
2	F610543	Pipe	
3	F610152	Pipe	
4	F200213	Clamp	#40
5	F200105	Hose	Sold per foot
6	F420112	Nipple	
7	F420405	Tee	
8	F420115	Nipple	
9	F420505	Elbow	
10	F420301	Coupling	
11	F730001	Valve Drain Kit	120 Volt, Pinch, See page 32 for component parts
12	F610033	Pipe	
13	F422801	Tee	
14	F420114	Nipple	

# Ball Drain Assembly (3 inch Drain, for F380600)

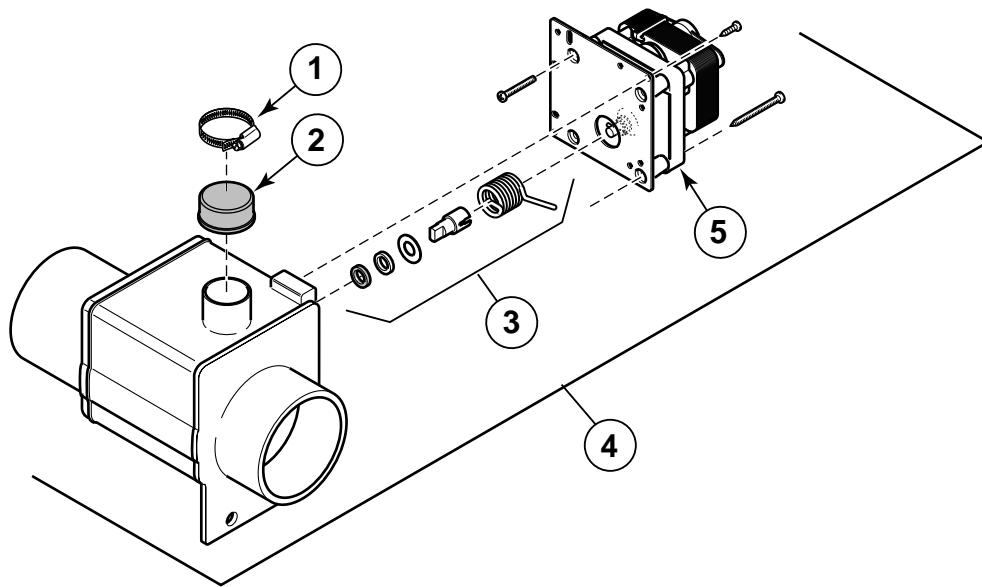


P101PE3B

## Ball Drain Assembly (3 inch Drain, for F380600)

REF	PART #	DESCRIPTION	COMMENTS
	F380600	Drain Valve Assembly	120 Volt, 60 Hertz, 3 inch
1	F380918	Main Drive Shaft and Seal Kit	
2	F380943	Drain Valve Motor	110 Volt, 60 Hertz, Keyed Shaft
	F380932	Drain Valve Motor	110 Volt, 60 Hertz, Round Shaft

# Ball Drain Assembly (3 inch Drain, for F380628)



P121PE3A

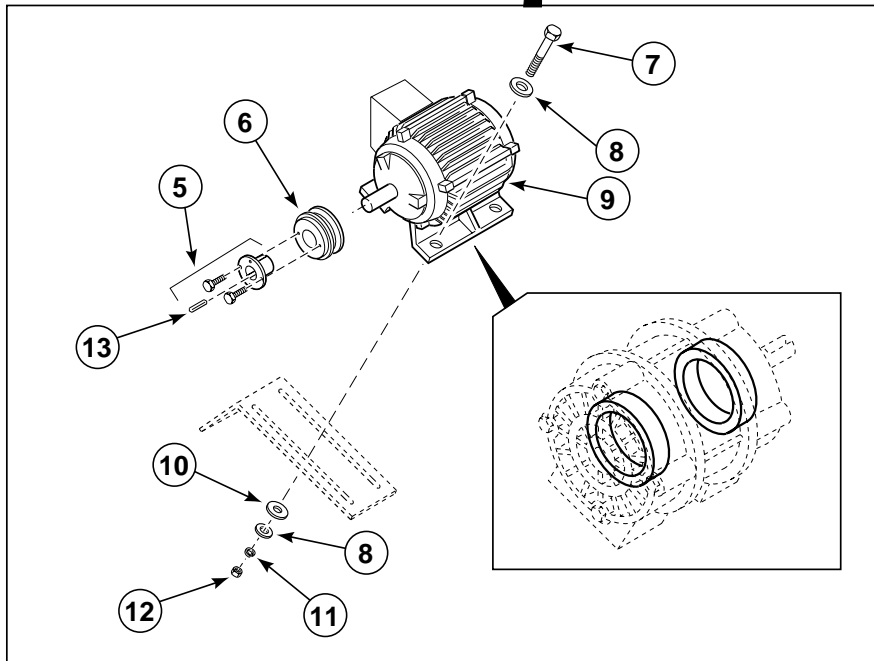
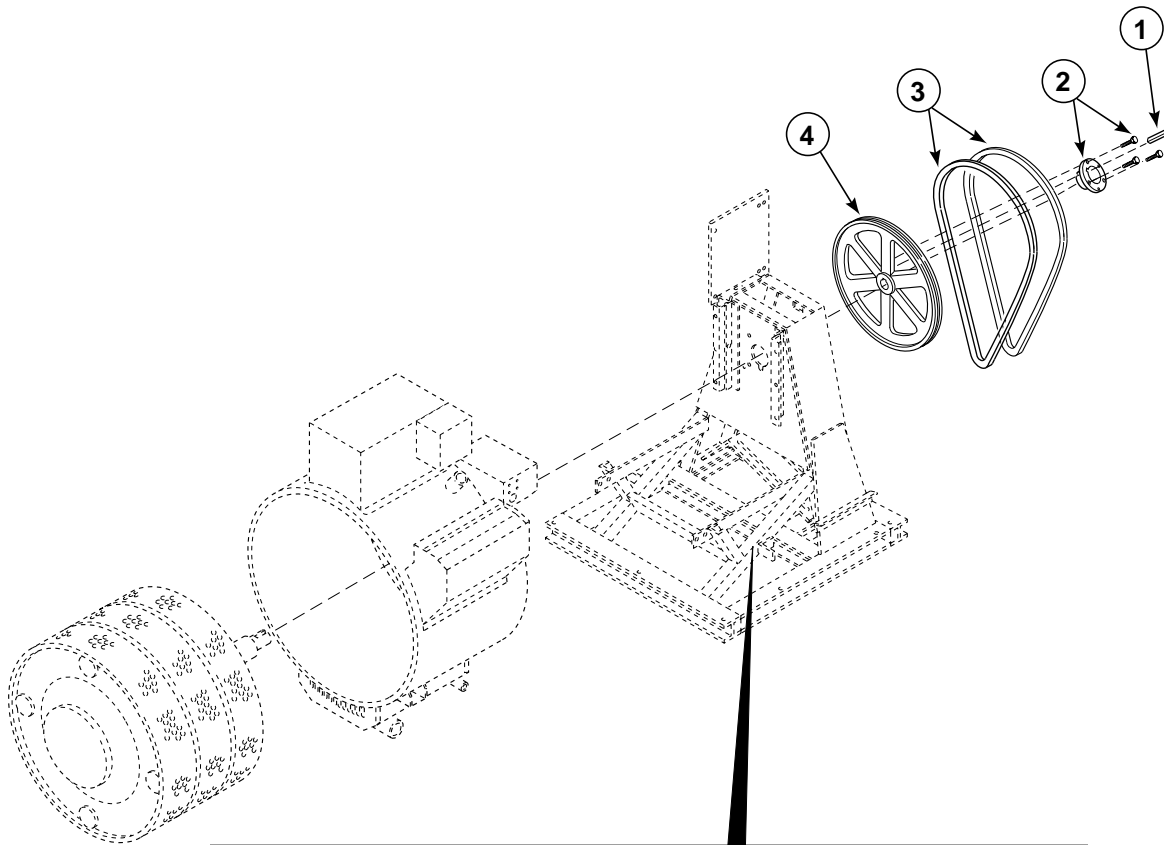


## Ball Drain Assembly (3 inch Drain, for F380628)

REF	PART #	DESCRIPTION	COMMENTS
1	F200215	Clamp	
2	F150352	Plug	
3	F380918	Main Drive Kit	Depend-O-Drain
4	F380628	Drain Valve	
5	F380932	Motor	Drain Valve

# Motor and Belt Assembly

(Single Motor)



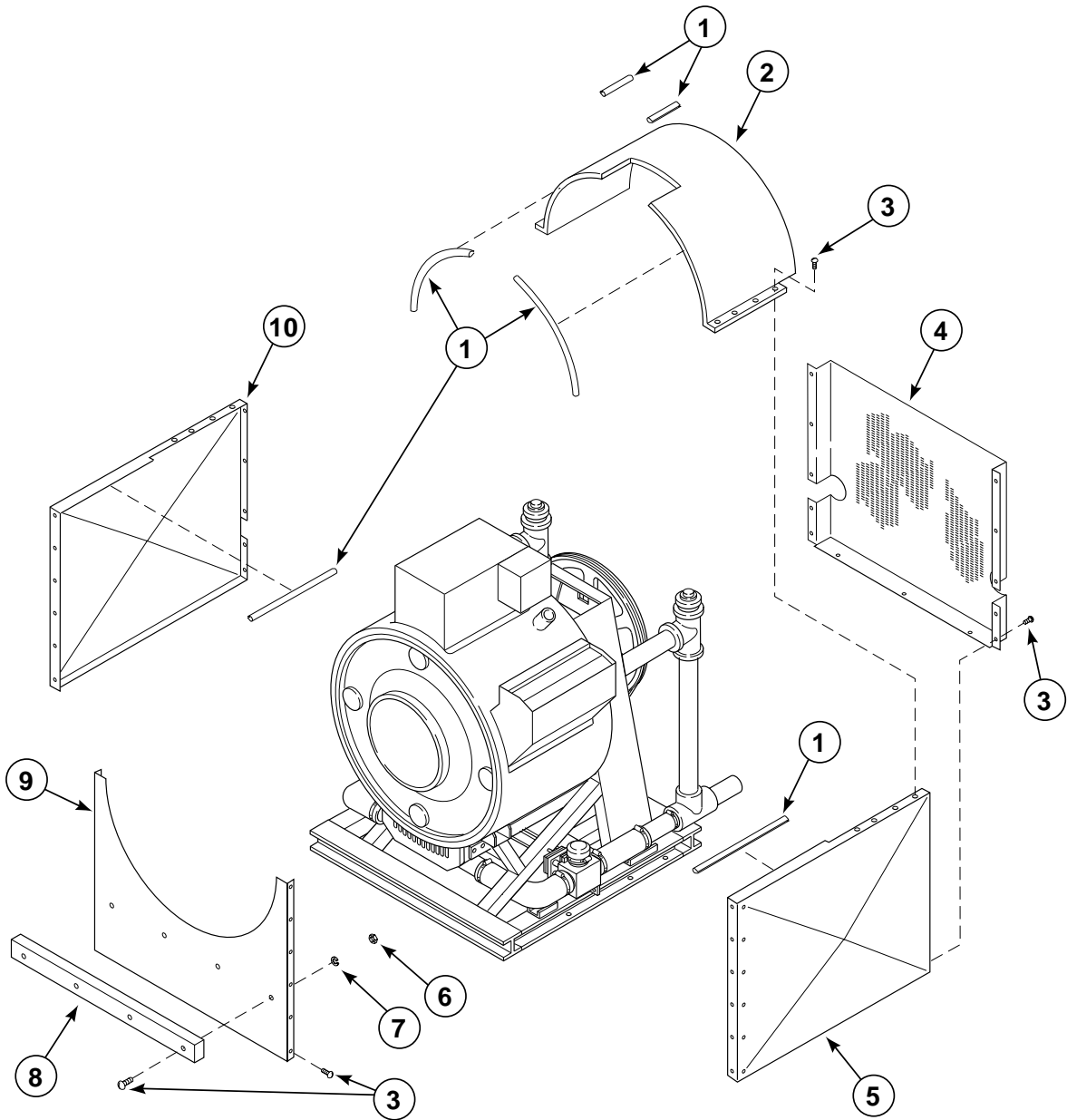
P095PE3A

# Motor and Belt Assembly

(Single Motor)

REF	PART #	DESCRIPTION	COMMENTS
	F220897	Motor Bearing	6206-2RS
	F100108	Motor Bearing	6208-2Z
1	F602257	Key	
2	F280294	Bushing	Basket, Includes hardware
3	F280335	Belt	BX108
4	F280245	Pulley	Basket
5	F280242	Bushing	Motor, Includes hardware
6	F280181	Pulley	Motor
7	F430993	Bolt	
8	F430301	Washer	
9	F220218	Motor	
10	F430300	Washer	
11	F430305	Lockwasher	
12	F430205	Nut	
13	F430817	Key	

# Cover Panels (Old Style)

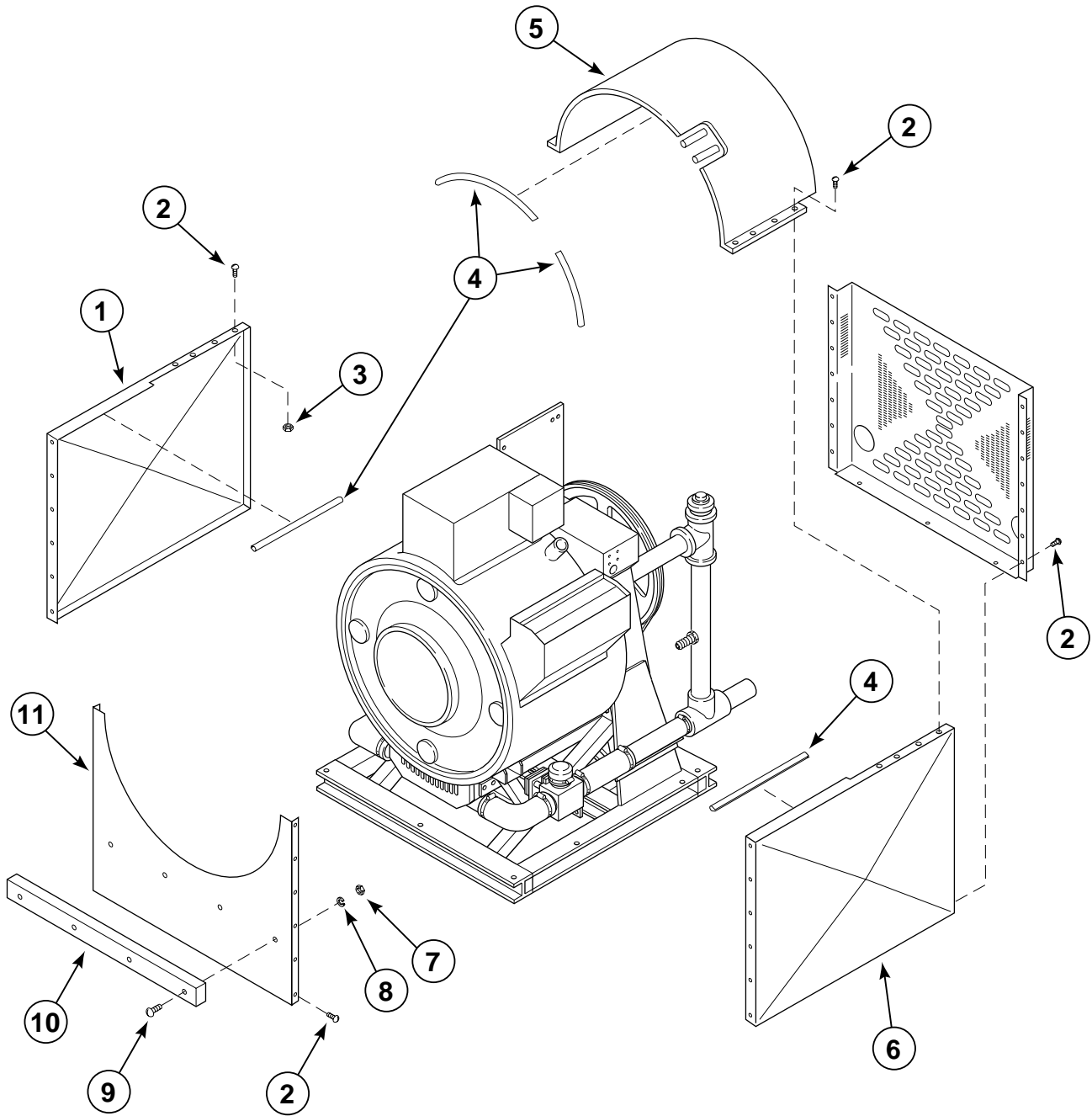


P086PE3B

## Cover Panels (Old Style)

REF	PART #	DESCRIPTION	COMMENTS
1	F170400	Trim	Sold per foot
2	F603704	Cage Wrap Assembly	
3	F430956	Screw	
4	F604043	Expanded Metal Back Assembly	
5	F601838	Side Panel	Right
6	F430211	Nut	
7	F431100	Washer	
8	F601839	Rub Rail	
9	F601837	Front Panel	
10	F602919	Side Panel	Left

# Cover Panels (New Style)

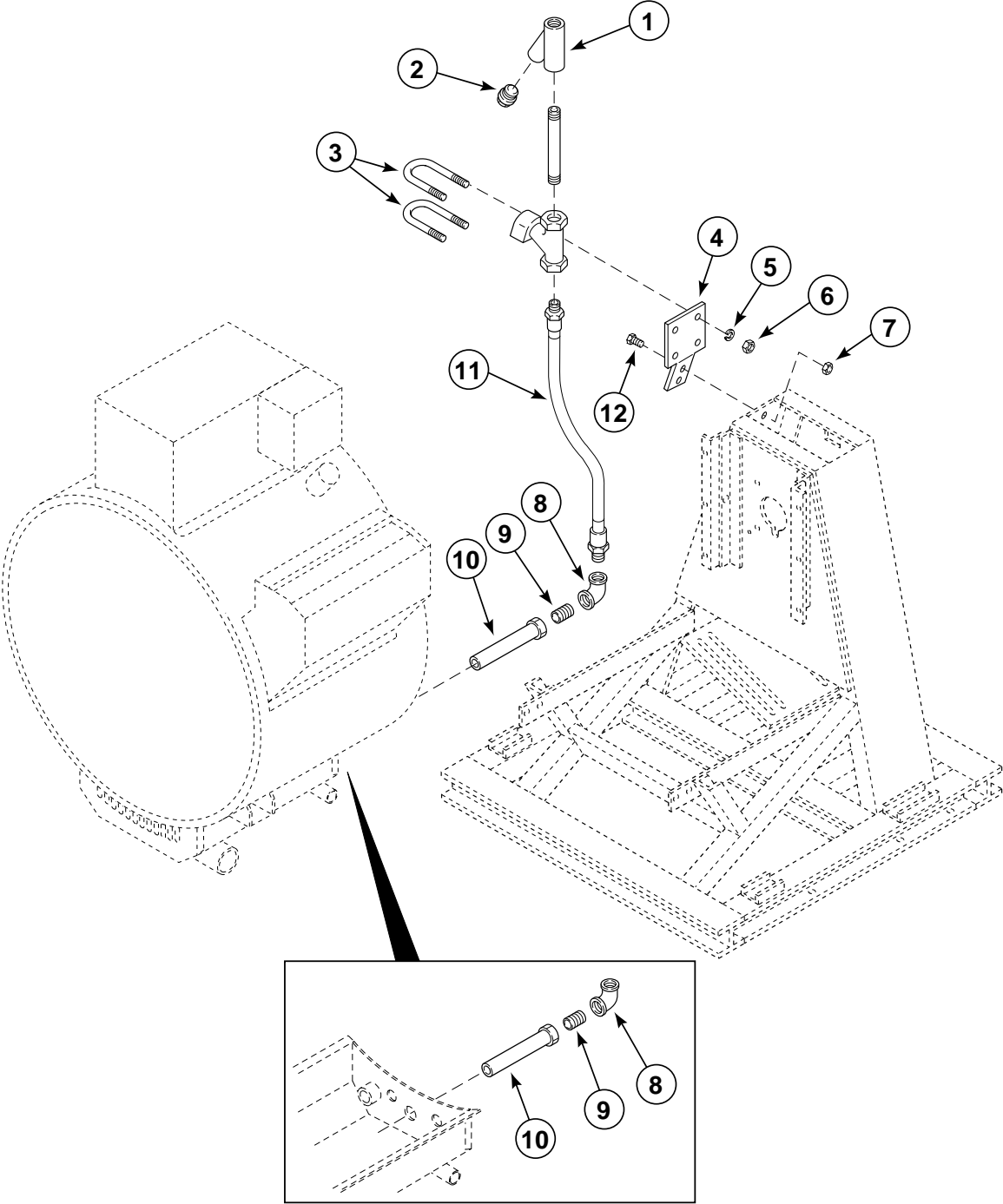


P103PE3B

## Cover Panels (New Style)

REF	PART #	DESCRIPTION	COMMENTS
1	F601838	Side Panel	Left
2	F430956	Screw	
3	F430606	Nut	
4	F170400	Trim	Sold per foot
5	F603704	Cage Wrap	
6	F602919	Side Panel	Right
7	F430211	Nut	
8	F431100	Washer	
9	F430921	Screw	
10	F601839	Rub Rail	
11	F601837	Front Panel	

# Auxiliary Steam Heat Assembly



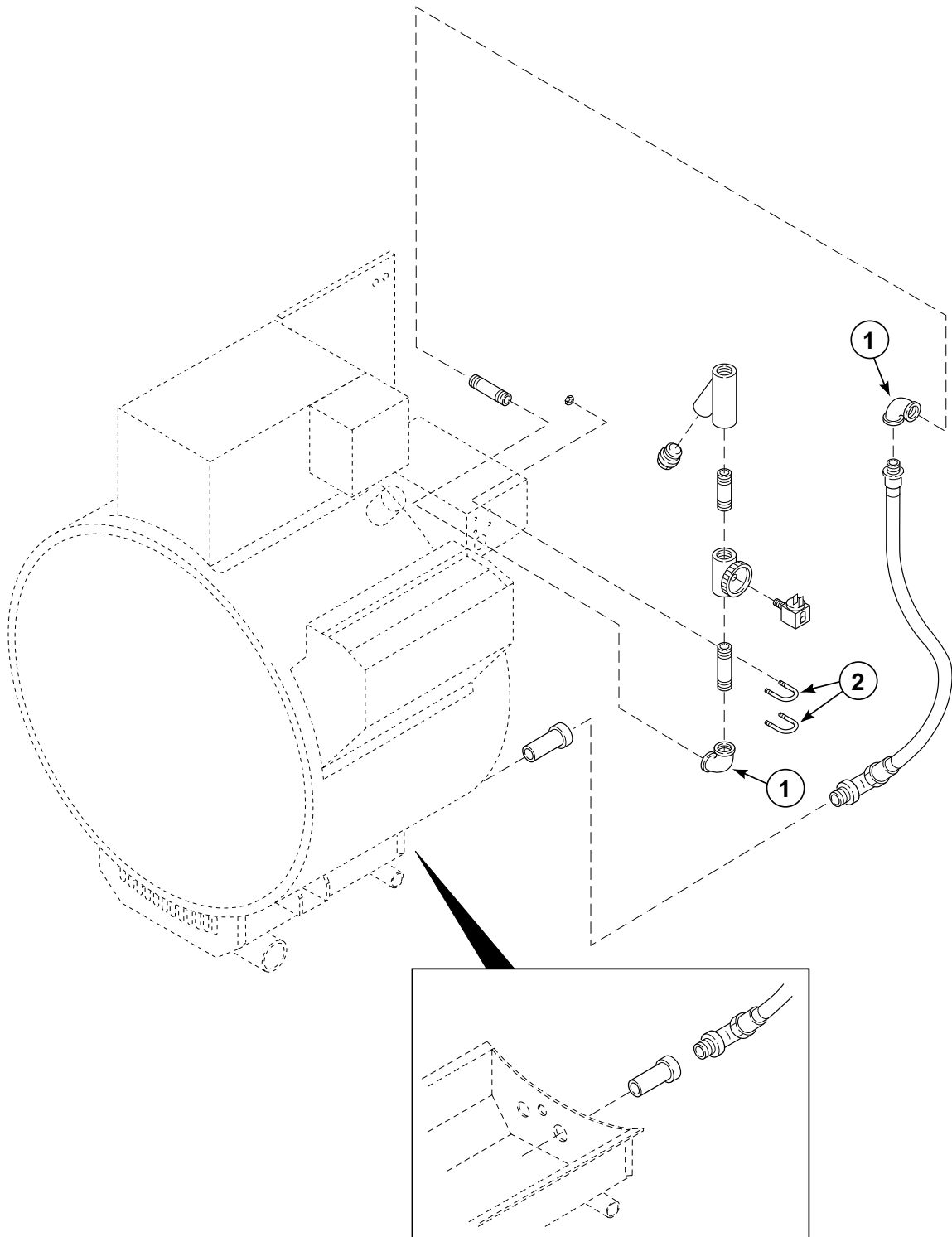
P083PE3B



## Auxiliary Steam Heat Assembly

REF	PART #	DESCRIPTION	COMMENTS
1	F270307	Filter	
2	F420409	Plug	
3	F200401	U-Bolt	#5, Includes hardware
4	F607268	Bracket	
5	F430322	Washer	
6	F430211	Nut	
7	F430215	Nut	
8	F420500	Elbow	
9	F421400	Bushing	
10	F603132	Injection Tube Assembly	
11	F200153	Hose	Sold per foot
12	F430913	Screw	

# Direct Steam Heat Assembly



P098PE3B

# Direct Steam Heat Assembly

REF	PART #	DESCRIPTION	COMMENTS
1	F421108	Elbow	
2	F200401	U-Bolt	Includes hardware

# Parts Index

## B

Balance Switch Bracket	
F601750 .....	11
Basket/Shaft Assembly	
F603686-1 .....	19, 21
Belt	
F280335 .....	41
Bolt	
F430103 .....	17
F430107 .....	11
F430109 .....	11
F430500 .....	19, 21
F430927 .....	17
F430993 .....	41
Bracket	
F607268 .....	47
Bushing	
F140909 .....	5
F280242 .....	41
F280294 .....	41
F421400 .....	47
Buzzer	
F300200 .....	5, 7

## C

Cage Wrap	
F603704 .....	45
Cage Wrap Assembly	
F603704 .....	43
Chafe Strip	
F601244 .....	33
Circuit Breaker	
F350211 .....	5, 7
Clamp	
F200201 .....	33
F200202 .....	23, 25
F200213 .....	35
F200215 .....	39
Clevis Clip	
F431205 .....	33
Connector	
F140309 .....	5, 7
F140311 .....	5, 7
F200302 .....	5
Contact Block Switch	
F340429 .....	5, 7
Contacto	
F330150 .....	7
F330510 .....	5
Control Transformer	
F360125 .....	11
Cotter Pin	
F431201 .....	15
Coupling	
F420301 .....	35

## D

Decal	
F230622 .....	5
F230677 .....	5, 7
F230678 .....	5, 7
F230721 .....	5, 7
F230724 .....	5, 7
F231083 .....	5, 7
Door Assembly Kit	
F730316 .....	17
Door Box	
F601706 .....	13, 15, 17
F601707 .....	13, 15, 17
Door Box Strap	
F601129 .....	17
Door Bumper	
F150366 .....	17
Door Bumper Bushing	
F430416 .....	17
Door Butt Hinge	
F150233 .....	17
Door Cam Adjusting Nut	
F604730 .....	17
Door Cam Adjusting Rod	
F603105 .....	17
Door Gasket	
F170162 .....	17
Door Glass	
F290204 .....	17
Door Glass Retainer	
F320102 .....	17
Door Handle	
F150203 .....	17
Door Handle Microswitch	
F340901 .....	13
Door Hinge Microswitch	
F340900 .....	13, 15
Door Hinge Strap	
F150228 .....	17
Door Hinge Switch	
F340901 .....	15
Door Lock Collar	
F601190 .....	15
Door Lock Plunger	
F601081 .....	15
Door Pin	
F601704 .....	17
Door Unlock Solenoid	
F300101 .....	15
F300118 .....	13
Drain Valve	
F380628 .....	39
Drain Valve Arm	
F602222 .....	33
Drain Valve Assembly	
F380600 .....	37
Drain Valve Bracket	
F602351 .....	33

Drain Valve Lift Bar F603441 .....	33
Drain Valve Lift Tube F602101 .....	33
Drain Valve Linkage Arm F602274 .....	33
Drain Valve Motor F380932 .....	33, 37
F380943 .....	37
Drain Valve Motor Cover F602372 .....	33

## E

Elbow	
F420500 .....	27, 29, 31, 47
F420502 .....	29
F420503 .....	29
F420505 .....	35
F420508 .....	27
F421108 .....	49
F422318 .....	23
F422900 .....	35
Emergency Stop Pushbutton F340706 .....	5, 7
Expanded Metal Back Assembly F604043 .....	43
Extension Arm F610220 .....	17
Extension Arm Microswitch F340913 .....	13

## F

Feed-thru Connector F140575 .....	5, 7
F140576 .....	5, 7
Fill Assembly F610260 .....	31
Filter F270307 .....	47
Filter Mesh F370321 .....	9
Filter Retainer Guard F220900 .....	9
Frame Assembly F601754-1 .....	19
F634021 .....	21
Front Panel F601837 .....	43, 45
Fuse F350115 .....	5
Fuseholder F350312 .....	5

## G

Gasket	
F170115 .....	17
F170120 .....	19, 21
F170135 .....	15
F170158 .....	9

F170402 .....	9
Gate Valve F380500 .....	29, 31
Grommet F170603 .....	25
Ground Lug F140734 .....	5
F140782 .....	7

## H

Hose	
F200105 .....	35
F200107 .....	23, 25
F200126 .....	33
F200153 .....	47
F200164 .....	31
F200187 .....	27
F422404 .....	7
Hose Adapter F421908 .....	31
F421909 .....	29
Hose Barb F421929 .....	23
F421930 .....	27, 29, 31
F421934 .....	23
F421950 .....	27

## I

Injection Kit F730168 .....	25
Injection Tube Assembly F603132 .....	47
Input Power Block F140746 .....	7
Input Power Terminal Block F140746 .....	5
Insulator F190300 .....	15
Insulator Mount F432219 .....	9
Interface Board F370577 .....	5, 7
Inverter Drive F370834 .....	9
F370837 .....	9

## K

Key F430817 .....	41
F602257 .....	41
Keymode Switch/Run F730186 .....	5, 7

## L

Latch Bracket Shim F602058 .....	17
-------------------------------------	----

Lockwasher	
F430305 .....	41
F431100 .....	9, 17
Lower Latch Bracket	
F150202 .....	17

---

## M

Main Drive Kit	
F380918 .....	39
Main Drive Shaft and Seal Kit	
F380918 .....	37
Microswitch	
F340906 .....	11
Motor	
F220218 .....	41
F380932 .....	39
Motor Bearing	
F100108 .....	41
F220897 .....	41
Mounting Bracket	
F150200 .....	15
Muffin Fan	
F110106 .....	9

---

## N

Nipple	
F420101 .....	29, 31
F420105 .....	31
F420107 .....	29
F420112 .....	35
F420114 .....	35
F420115 .....	35
F420122 .....	27, 29
F420138 .....	27
F421948 .....	27
F430101 .....	27
Nut	
F430205 .....	11, 17, 41
F430206 .....	11
F430211 .....	15, 19, 21, 43, 45, 47
F430215 .....	9, 11, 17, 33, 47
F430231 .....	9
F430606 .....	23, 45
F431026 .....	17

---

## P

Parameter Unit	
F370575 .....	11
F370594 .....	11
F370597 .....	11
Pipe	
F610033 .....	35
F610152 .....	35
F610543 .....	35
Plate	
F608803 .....	17
Plug	
F140527 .....	5, 7
F150352 .....	39
F420409 .....	47

Post Rivet	
F430147 .....	25
Pulley	
F280181 .....	41
F280245 .....	41
Pushbutton Mounting Base	
F340705 .....	5, 7

---

## R

RC Network Filter	
F330217 .....	5, 7, 13
Relay Board	
F370444 .....	7
Retainer Ring	
F310215 .....	17
Retro Kit	
F744062 .....	11
F744063 .....	11
F744064 .....	11
F744065 .....	11
Rivet Post	
F430147 .....	23
Roll Pin	
F431219 .....	33
Rub Rail	
F601839 .....	43, 45
Rubber Grommet	
F170603 .....	23

---

## S

Screw	
F430101 .....	33
F430124 .....	11
F430904 .....	17
F430913 .....	47
F430916 .....	5, 9
F430917 .....	15
F430921 .....	45
F430925 .....	15
F430928 .....	5, 7
F430956 .....	23, 43, 45
F430995 .....	13
v .....	7
Set Screw	
F430502 .....	15
Shell Assembly	
F603685 .....	19
F634440 .....	21
Shell Band	
F603630 .....	19, 21
Shell Band Bolt Kit	
F791001 .....	19
Shoulder Bolt	
F430168 .....	17
Side Panel	
F601838 .....	43, 45
F602919 .....	43, 45
Soap Dispenser Cup	
F603413 .....	25
Soap Dispenser Link Arm	
F601792 .....	23, 25

Soap Dispenser Manifold F603084 .....	23
Soap Dispenser Shelf F601795 .....	23
Solid State Fuse/Relay Board F370535 .....	5
Spray Rinse Assembly F610363 .....	29, 31
Spray Rinse Nozzle F422310 .....	23
Spring F310101 .....	33
F310119 .....	15
Supply Dispenser Cup F603413 .....	23
Supply Valve Manifold Assembly F604602 .....	23
Switch F340412 .....	5, 7
Switch Extension F340913 .....	15

---

## T

Tee F420402 .....	29
F420403 .....	29
F420405 .....	35
F420410 .....	27
F422801 .....	35
Terminal Strip F140738 .....	5, 7
F140782 .....	5
Top Fill Tube F610260 .....	29
Transformer Cover F140425 .....	11
Trim F170400 .....	43, 45
Tube Connector F422106 .....	29
Tubing F422404 .....	5

---

## U

U-Bolt F200401 .....	23, 47, 49
F200402 .....	31
U-Clamp F200402 .....	29
F200408 .....	27
Union F422500 .....	5, 7

---

## V

Vacuum Breaker F380800 .....	29
F380802 .....	27

Valve F380500 .....	27
F380702 .....	29
F380724 .....	27
Valve Drain Kit F730001 .....	35
Valve Solenoid F380708 .....	23

---

## W

Washer F430300 .....	41
F430301 .....	11, 41
F430305 .....	11
F430317 .....	17, 19, 21, 33
F430322 .....	47
F431100 .....	17, 43, 45
F431118 .....	17
F431123 .....	23, 25
Water Level Switch F340318 .....	5, 7
Water Level Switch Bracket F630242 .....	5, 7
WE-6 Microcomputer Kit F370534-10 .....	5, 7

---

## Numerics

4-way Supply Valve F380715 .....	5
F381724 .....	5
4-Way Valve F380715 .....	25
F381724 .....	25

---

## Symbols

"Y" Connector F422808 .....	25
--------------------------------	----