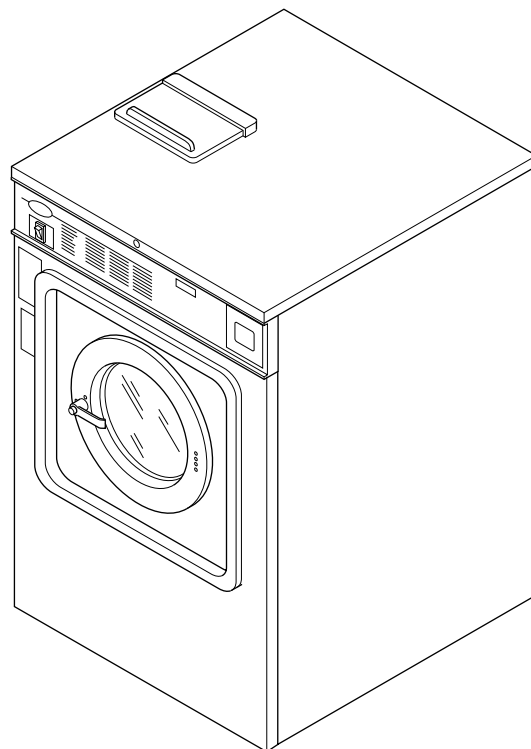


# Washer-Extractor

Cabinet Freestanding  
See Page 3 for Model Numbers



Parts

# Table of Contents

Title	Page
Parts Ordering Information .....	2
Nameplate Location .....	2
Model Identification .....	3
Front View .....	4
Rear View .....	6
Graphic Panel and Controls.....	8
Dispenser.....	10
Dispenser Hoses .....	12
Door Assembly and Middle Front Cover .....	14
Door Lock Assembly .....	16
Control Tray and Controls.....	18
Control Tray and Inverter Drive .....	20
Clamps, Hoses .....	22
Water Inlet Valves, Hoses, Vacuum Breaker.....	24
Front Assembly, Cylinder and Outer Tub Assembly .....	26
Drain Valve Assembly, Hoses and Frame Assembly .....	28
Motor and Belt Assembly .....	30
Temperature Probe and Bushings.....	32
Drain Valve Assembly.....	34
Panels.....	36
Parts Index.....	39

© Copyright 1998, Alliance Laundry Systems LLC

All rights reserved. No part of the contents of this book may be reproduced or transmitted in any form or by any means without the expressed written consent of the publisher.

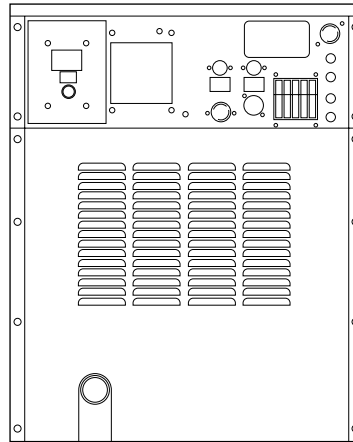
# Parts Ordering Information

If literature or replacement parts are required, contact the source from whom the machine was purchased or contact Alliance Laundry Systems at (920) 748-3950 for the name and address of the nearest authorized parts distributor.

For technical assistance, call (920) 748-3121.

## Nameplate Location

When calling or writing about your product, be sure to mention model and serial numbers. Model and serial numbers are located on nameplate(s) as shown.



U098P

## Model Identification

Information in this manual is applicable to these Washer-Extractors:

HF 18VCV

SF 18VCV

UF PCV

HF 18VNV

SF 18VNV

UF 18 PNV

HF 25VCV

SF 25VCV

UF 25 PCV

HF 25VNV

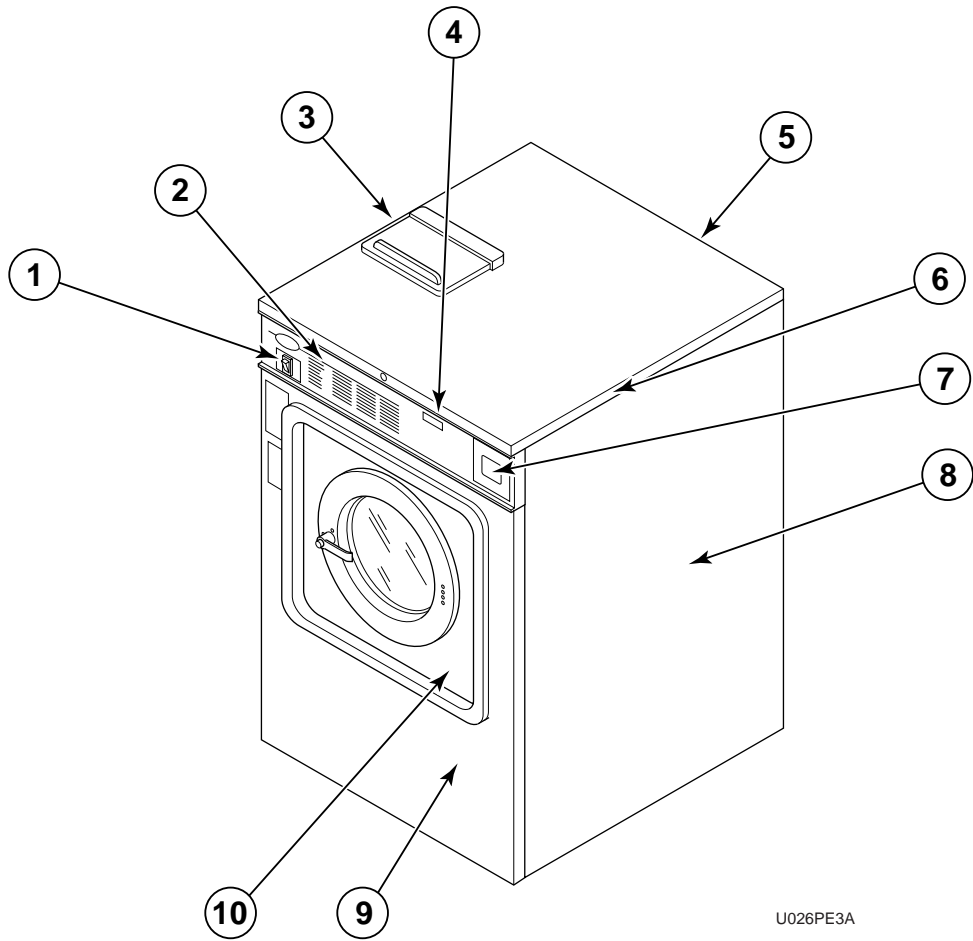
SF 25VNV

UF 25 PNV



# Front View

(Models HF18, HF25, SF18, SF25, UF18 and UF25)



U026PE3A

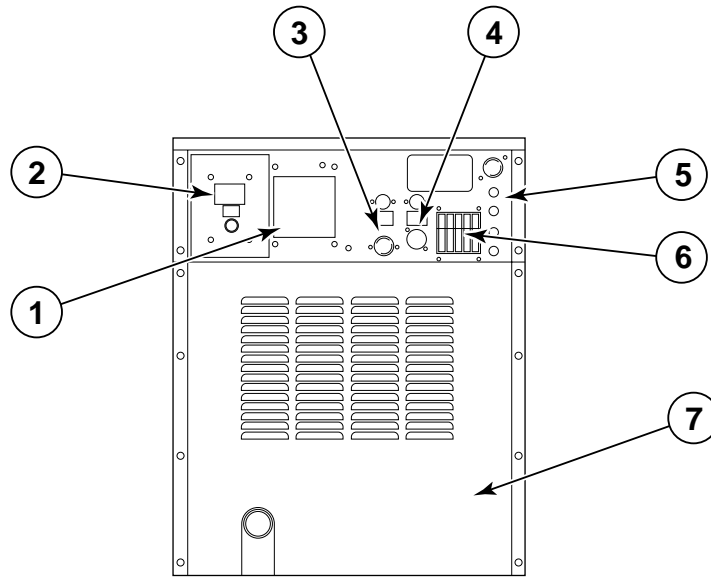
# Front View

(Models HF18, HF25, SF18, SF25, UF18 and UF25)

REF	PART #	DESCRIPTION	COMMENTS
1	F340412	Door Release Switch	
2	F231240	Control Panel Decal	Model HF18, OPL
	F231242	Control Panel Decal	Model HF25, VN Models, OPL
	F231239	Control Panel Decal	Model HF18, VC Models, Coin
	F231241	Control Panel Decal	Model HF25, VC Models, Coin
	F231159	Control Panel Decal	Model SF18, VN Models, OPL
	F231160	Control Panel Decal	Model SF25, VN Models, OPL
	F231080	Control Panel Decal	Model UF18, OPL, United States
	F231101	Control Panel Decal	Model UF25, OPL, United States
	F231081	Control Panel Decal	Model UF18, OPL, European
	F231145	Control Panel Decal	Model UF25, OPL, European
	F231086	Control Panel Decal	Model UF18 and UF25, Coin, United States
3	F150305	Supply Dispenser Cover	
4	F370576	Keypad Decal	
5	F632976	Cover Assembly	Models HF18, SF18 and UF18
	F632976-1	Cover Assembly	Models HF25, SF25 and UF25
6	F150428	Trim	Models HF18, SF18 and UF18
	F630472	Trim	Models HF25, SF25 and UF25
7	F340706	Emergency Stop Push Button	
8	F609478	Side Panel	Models HF18, SF18 and UF18
	F609573	Side Panel	Models HF25, SF25 and UF25
9	F609480	Outer Front Cover	Models HF18, SF18 and UF18
	F609572	Outer Front Cover	Models HF25, SF25 and UF25
10	F609479	Middle Front Cover	Models HF18, SF18 and UF18
	F609571	Middle Front Cover	Models HF25, SF25 and UF25

# Rear View

(Models HF18, HF25, SF18, SF25, UF18 and UF25)



U098PE3A

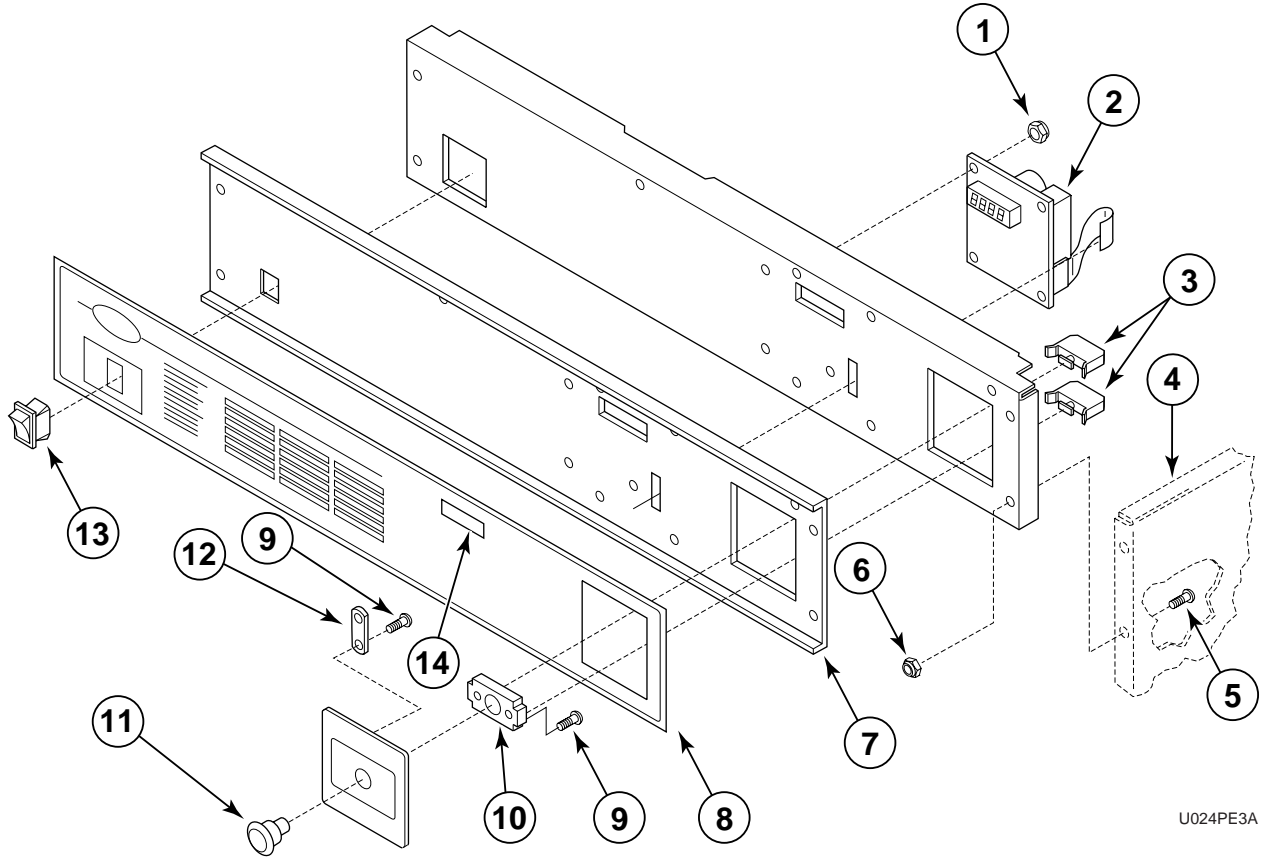


# Rear View

(Models HF18, HF25, SF18, SF25, UF18 and UF25)

REF	PART #	DESCRIPTION	COMMENTS
	F609499	Rear Panel Assembly	Models HF18, SF18 and UF18, 120 Volts
	F630374	Rear Panel Assembly	Models HF25, SF25 and UF25, 220 Volts
1	F220900	Filter Retainer Guard	
2	F609484	Connection Box Cover	
3	F380720	3-Way Valve	120 Volt
	F380717	3-Way Valve	220 Volt, G-thread
4	F380719	2-Way Valve	120 Volt
	F380716	2-Way Valve	220 Volt, G-thread
5	F609485	Rear Panel	Models HF18, SF18 and UF18
	F609565	Rear Panel	Models HF25, SF25 and UF25
6	F603151	Vacuum Breaker Cover	
7	F609477	Rear Cover	Models HF18, SF18 and UF18
	F609568	Rear Cover	Models HF25, SF25 and UF25

# Graphic Panel and Controls

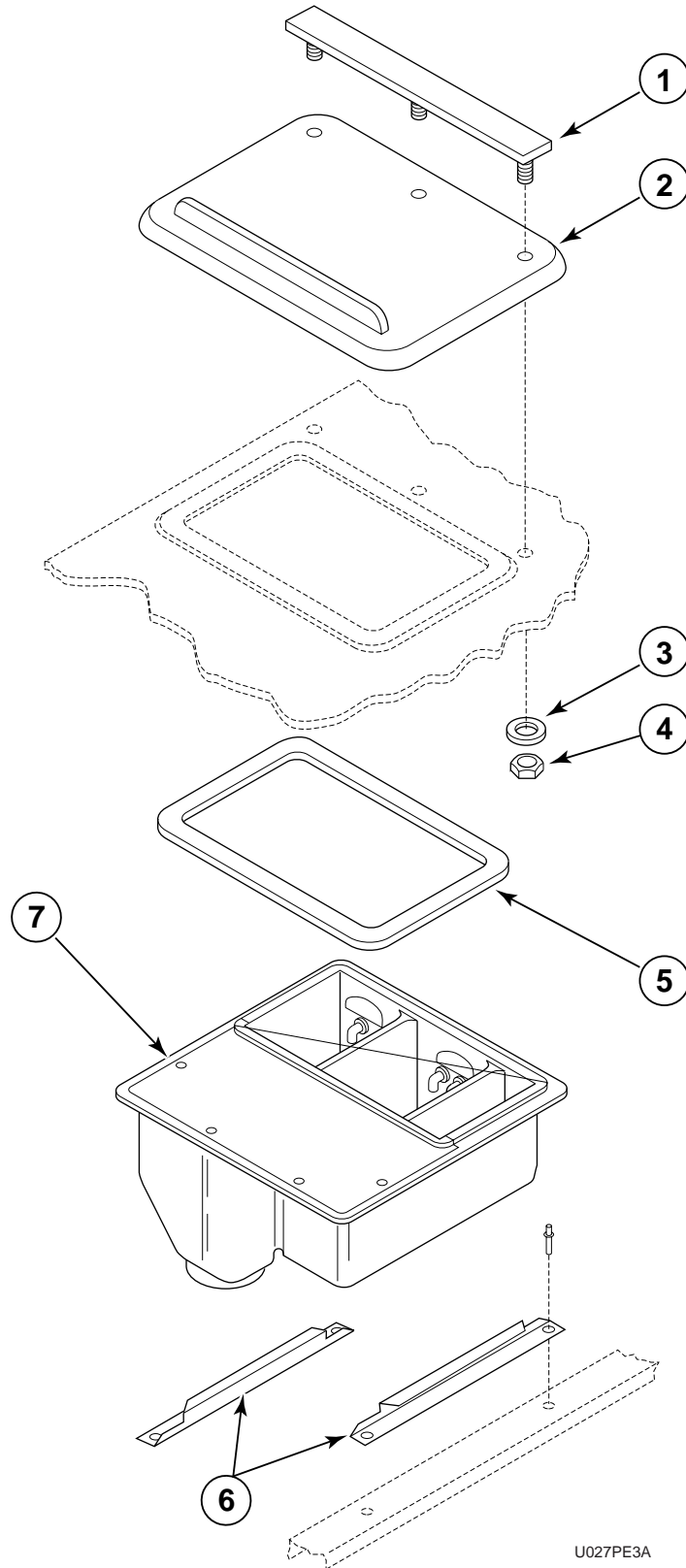


U024PE3A

## Graphic Panel and Controls

REF	PART #	DESCRIPTION	COMMENTS
1	F431022	Nut	Replaces F431401
2	F370313	Computer	Models HF18, HF25, SF18, SF25, UF18 and UF25, Coin
	F370313-10	Computer	Models HF18, HF25, SF18, SF25, UF18 and UF25, OPL
3	F340429	Emergency Stop Switch	
4	F609478	Side Panel	Models HF18, SF18 and UF18
	F609573	Side Panel	Models HF25, SF25 and UF25
5	F430925	Screw	
6	F430215	Nut	
7	F150428	Aluminum Extrusion	Models HF18, SF18 and UF18
	F630472	Aluminum Extrusion	Models HF25, SF25 and UF25
8	F231240	Control Panel Decal	Models HF18, OPL
	F231239	Control Panel Decal	Models HF18, Coin
	F231159	Control Panel Decal	Models SF18, OPL
	F231080	Control Panel Decal	Models UF18, OPL, United States
	F231081	Control Panel Decal	Models UF18, OPL, European
	F231086	Control Panel Decal	Models UF18, Coin, United States
	F231242	Control Panel Decal	Models HF25, OPL
	F231241	Control Panel Decal	Models HF25, Coin
	F231160	Control Panel Decal	Models SF25, OPL
	F231101	Control Panel Decal	Models UF25, OPL, United States
	F231145	Control Panel Decal	Models UF25, OPL, European
9	F430995	Screw	
10	F340705	Base Stop Push Button	
11	F340706	Emergency Stop Push Button	
12	F601515	Clip	
13	F340412	Door Release Switch	
14	F370576	Keypad Decal	

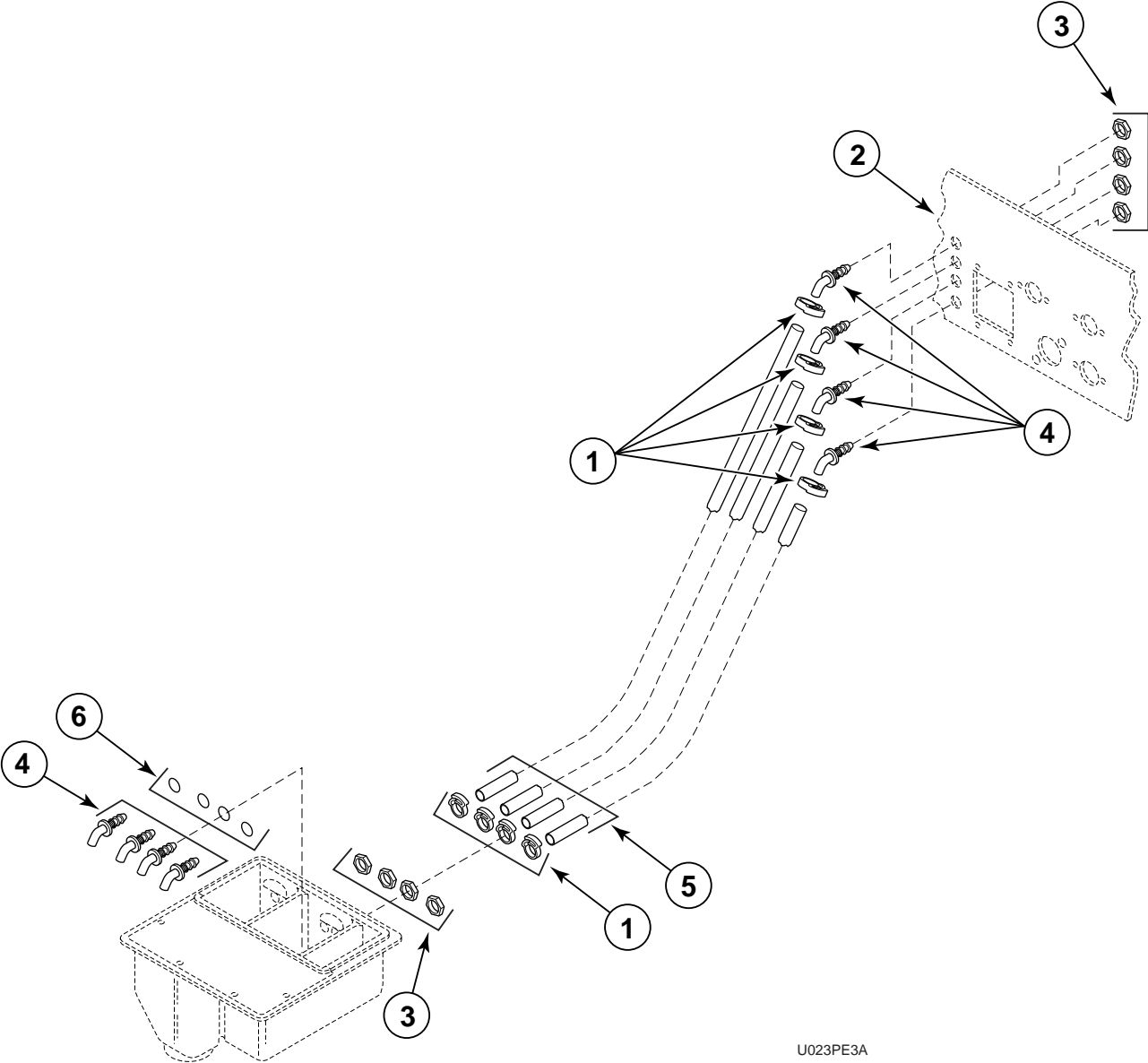
# Dispenser



# Dispenser

REF	PART #	DESCRIPTION	COMMENTS
1	F602729	Soap Dispenser Clamp	
2	F150305	Soap Dispenser Cover	
3	F431105	Washer	
4	F431005	Nut	
5	F170170	Supply Dispenser Gasket	
6	F602722	Soap Dispenser Bracket	
7	F150307	Soap Dispenser	Coin
	F602374-2	Soap Dispenser	OPL

# Dispenser Hoses

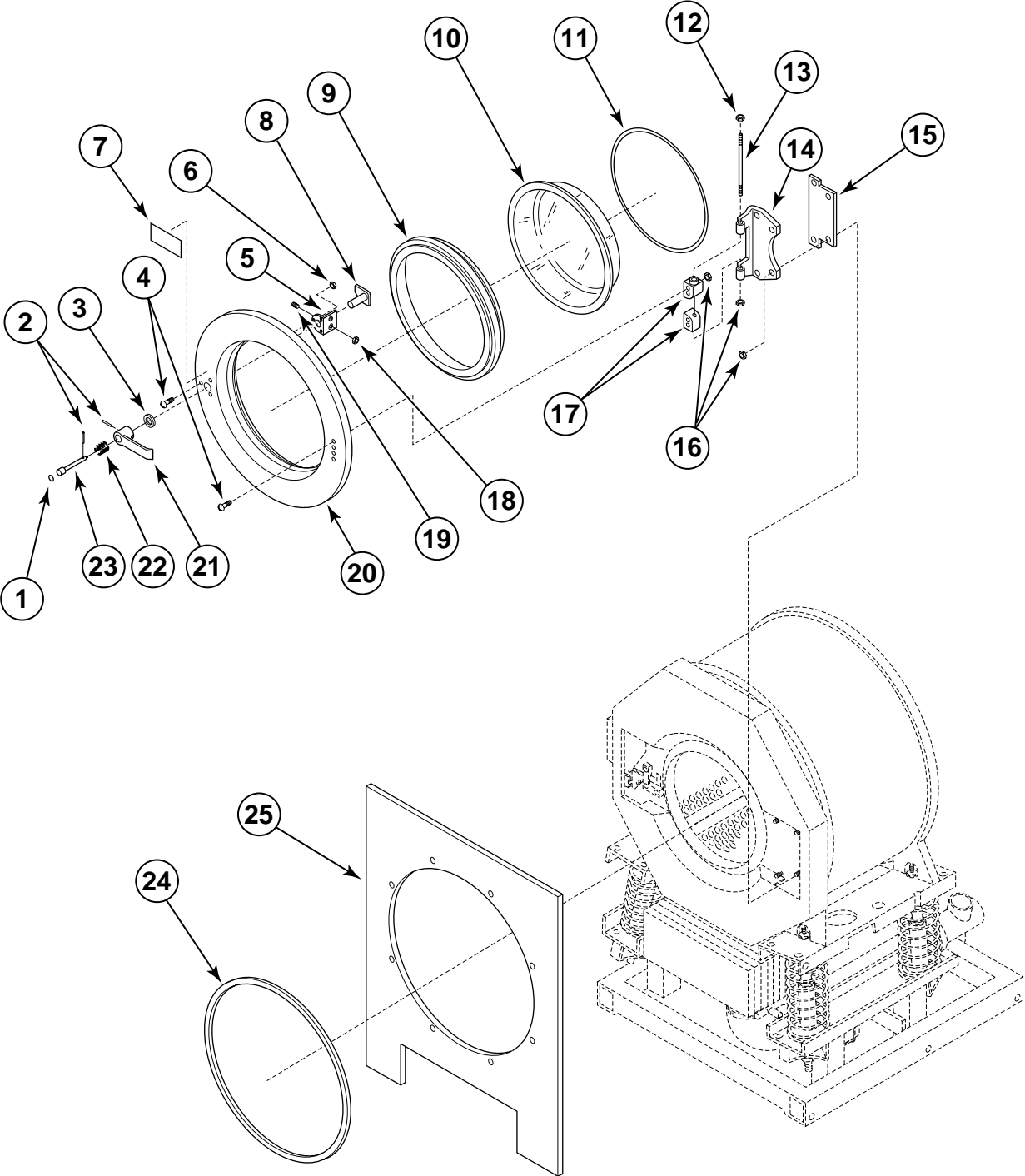


U023PE3A

# Dispenser Hoses

REF	PART #	DESCRIPTION	COMMENTS
1	F200206	Hose Clamp	
2	F609485	Rear Panel	Models HF18, SF18 and UF18
	F609565	Rear Panel	Models HF25, SF25 and UF25
3	F430224	Nut	
4	F380300	Nozzle	
5	F200168	Neoprene Tubing	
6	F170208	Seal	
	F730168	Nozzle Kit	Includes reference numbers 3, 4 and 6

# Door Assembly and Middle Front Cover



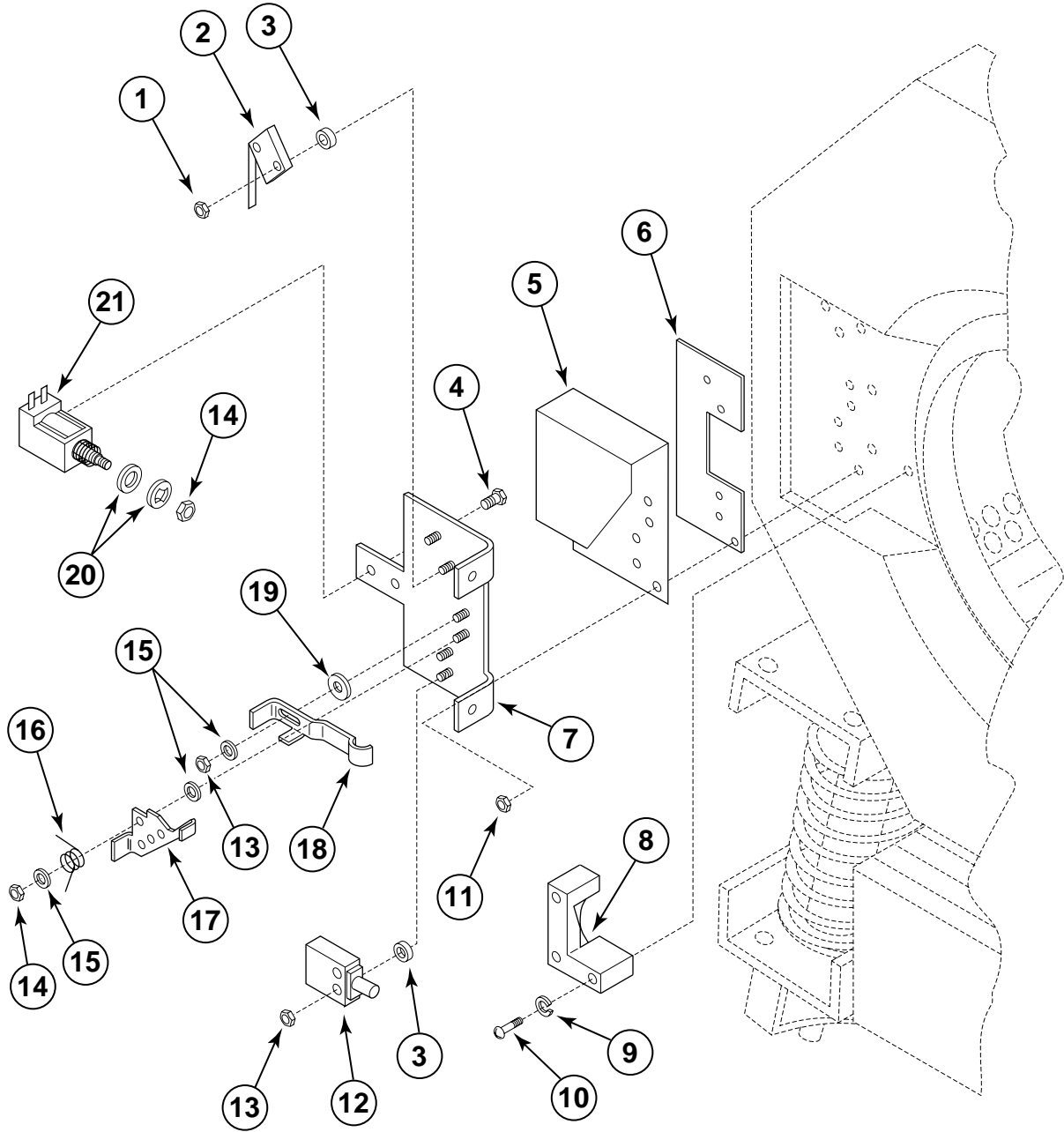
U028PE3A



## Door Assembly and Middle Front Cover

REF	PART #	DESCRIPTION	COMMENTS
1	F230662	Decal	
2	F431222	Pin	Replaces F431213
3	F431907	Nylon Washer	
4	F430976	Screw	
5	F633575	Door Handle Spacer	
6	F430232	Fiberlock Nut	
7	F230661	Push Red Button Decal	
8	F150229	Latch Arm	
9	F170106	Door Gasket	Models HF18, SF18 and UF18
	F170123	Door Gasket	Models HF25, SF25 and UF25
10	F290205	Door Glass	Models HF18, SF18 and UF18
	F290207	Door Glass	Models HF25, SF25 and UF25
11	F170209	O-ring	Models HF18, SF18 and UF18
	F170219	O-ring	Models HF25, SF25 and UF25
12	F430124	Screw	
13	F630794	Rod Hinge	
14	F633791	Door Hinge	Replaces F150224
15	F602679	Hinge Shim	
16	F430215	Nut	
17	F633790	Door Mount	Replaces F150226
18	F431041	Nut	
19	F432265	Insert	
20	F602431-2	Door	Models HF18, SF18 and UF18
	F633922	Door	Models HF25, SF25 and UF25
21	F150225	Door Handle	
22	F310125	Door Lock Spring	
23	F320300	Push Button Rod	
24	F630695-1	Gasket	
25	F609522	Middle Front Cover	Models HF18, SF18 and UF18, Coin
	F609494	Middle Front Cover	Models HF18, SF18 and UF18, OPL
	F630620	Middle Front Cover	Models HF25, SF25 and UF25, Coin
	F630596	Middle Front Cover	Models HF25, SF25 and UF25, OPL

# Door Lock Assembly

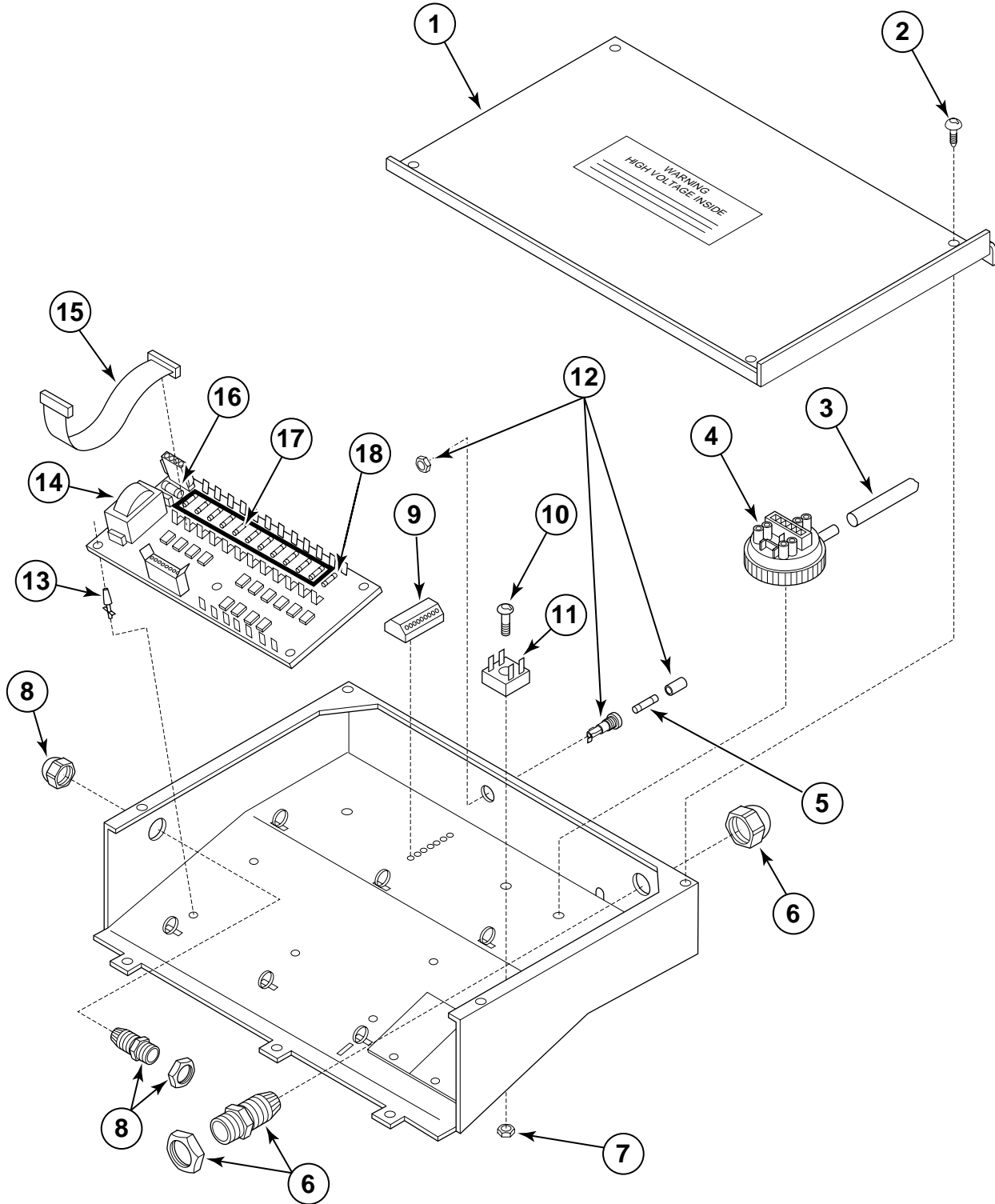


U029PE3A

# Door Lock Assembly

REF	PART #	DESCRIPTION	COMMENTS
	F609500	Door Lock Assy.	120 Volt, OPL
	F609500-1	Door Lock Assy.	220 Volt, OPL
1	F430225	Nut	
2	F340919	Door Latch Microswitch	
3	F431901	Washer	
4	F430977	Screw	
5	F320200	Door Lock Splash Shield	
6	F603185	Shim	
7	F609503	Door Lock Plate	
8	F609501	Brass Door Lock Catch	
9	F431100	Washer	
10	F430983	Screw	
11	F430215	Nut	
12	F340710	DPST Interlock Switch	
13	F430231	Nut	
	F430232	Nut	
14	F430220	Nut	
15	F431902	Washer	
16	F310110	Door Lock Torsion Spring	
17	F605381	Door Lock Lever	
18	F605382	Stop, Push Button	
19	F431903	Shoulder Washer	
20	F431123	Washers	
21	F300112	Door Release Solenoid	120 Volt, OPL
	F300123	Door Release Solenoid	240 Volt, OPL
	F300124	Door Release Solenoid	Coin

# Control Tray and Controls

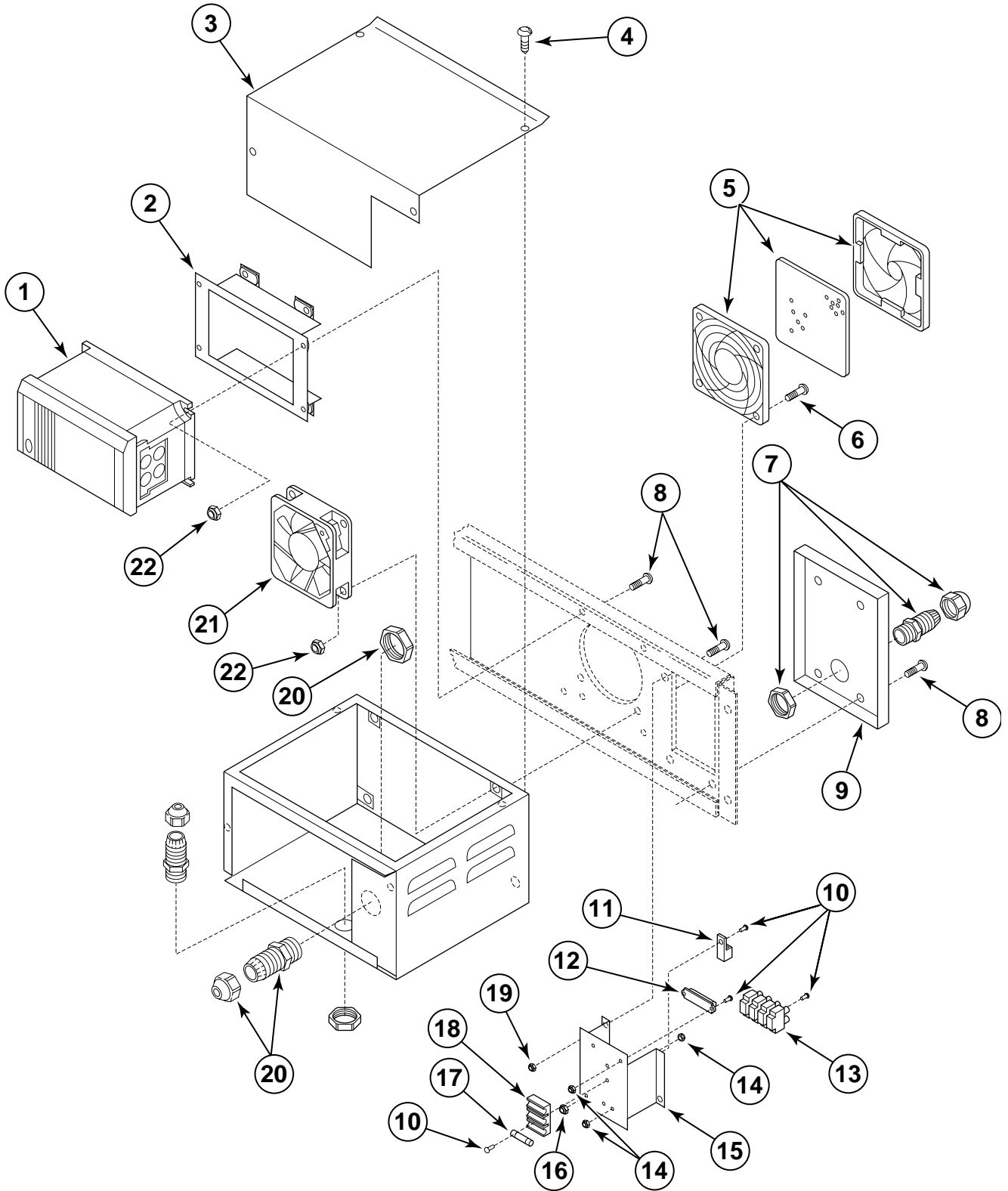


U025PE3A

## Control Tray and Controls

REF	PART #	DESCRIPTION	COMMENTS
1	F609487	Electrical Box Cover	
2	F430174	Screw	
3	F200142	Hose	
4	F340319	Water Level Switch	
5	F350104	Fuse	2 amp
6	F140224	Cable Connector	
7	F430231	Nut	
8	F140330	Cable Connector	
9	F140766	Terminal Clamp Cage	
10	F430916	Screw	
11	F370310	Diode Bridge	
12	F350304	Fuse Holder	
13	F180501	PC Board Standoff	
14	F370314	V Output Board	
15	F140216	Cable	
16	F350108	Fuse	1/8 amp
17	F350109	Fuse	1/2 amp
18	F350131	Fuse	2 amp
	F350132	Fuse	10 amp

# Control Tray and Inverter Drive

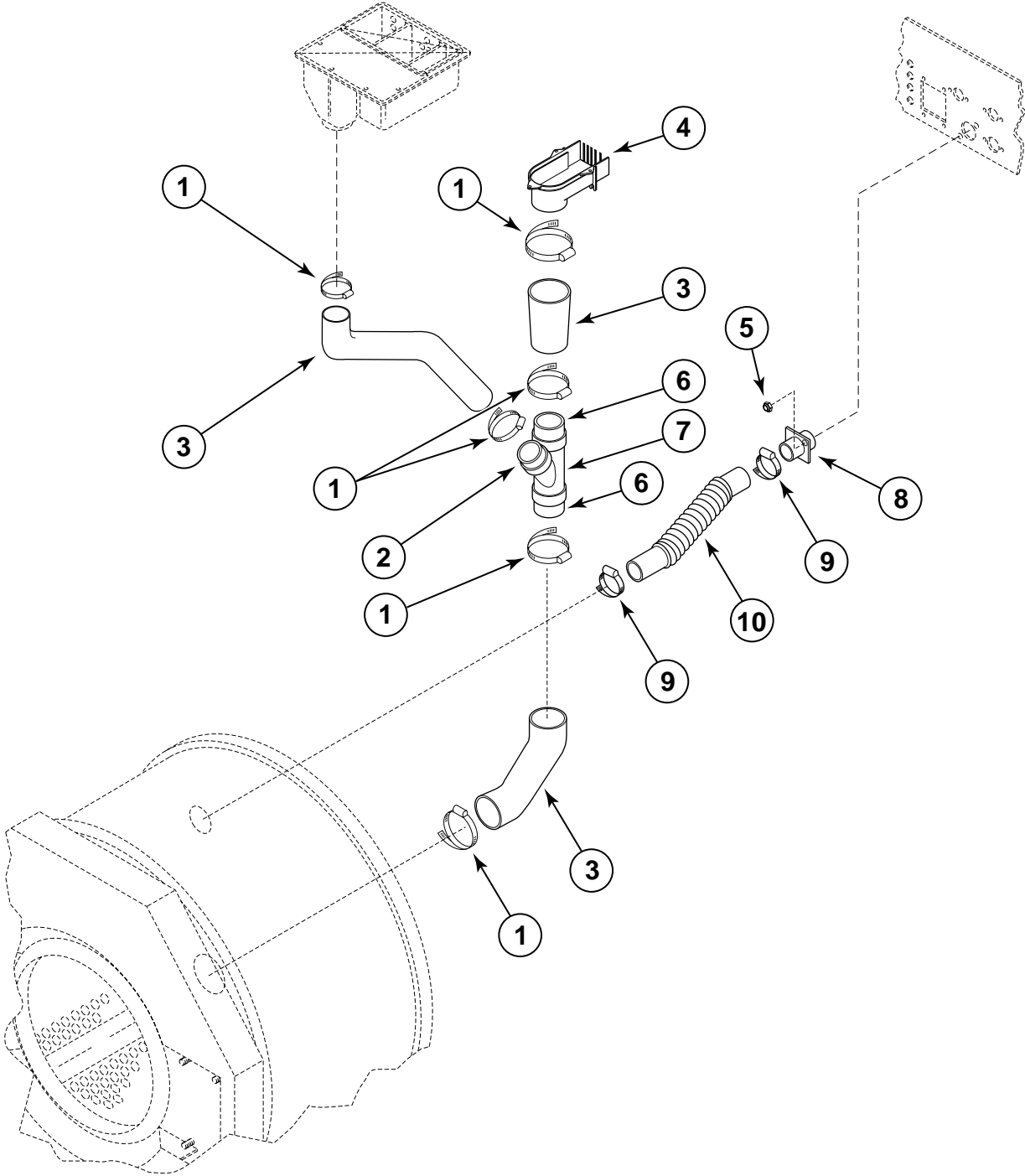


U019PE3A

## Control Tray and Inverter Drive

REF	PART #	DESCRIPTION	COMMENTS
1	F370811	AC Inverter Drive	Models HF18, SF18 and UF18
	F370813	AC Inverter Drive	Models HF25, SF25 and UF25
2	F609489	AC Drive Mounting Bracket	Models HF18, SF18 and UF18
	F609563	AC Drive Mounting Bracket	Models HF25, SF25 and UF25
3	F609488	AC Drive Box Center	Models HF18, SF18 and UF18
	F609566	AC Drive Box Center	Models HF25, SF25 and UF25
4	F430174	Screw	
5	F220900	Guard Retainer Filter	
6	F430910	Screw	
7	F140329	Connector	
8	F430929	Screw	
9	F609484	Cover	
10	F430938	Screw	
11	F140734	Ground Connector	
12	F140766	Terminal Cage Clamp	
13	F140746	Input Power Block	
14	F430231	Nut	
15	F609483	Connection Box	
16	F430232	Nut	
17	F350128	Fuse	
18	F350304	Fuse Holder	
19	F431005	Nut	
20	F140331	Connector	Includes nut
21	F110106	Fan	120 Volt
	F110110	Fan	220 Volt
22	F430215	Nut	

# Clamps, Hoses



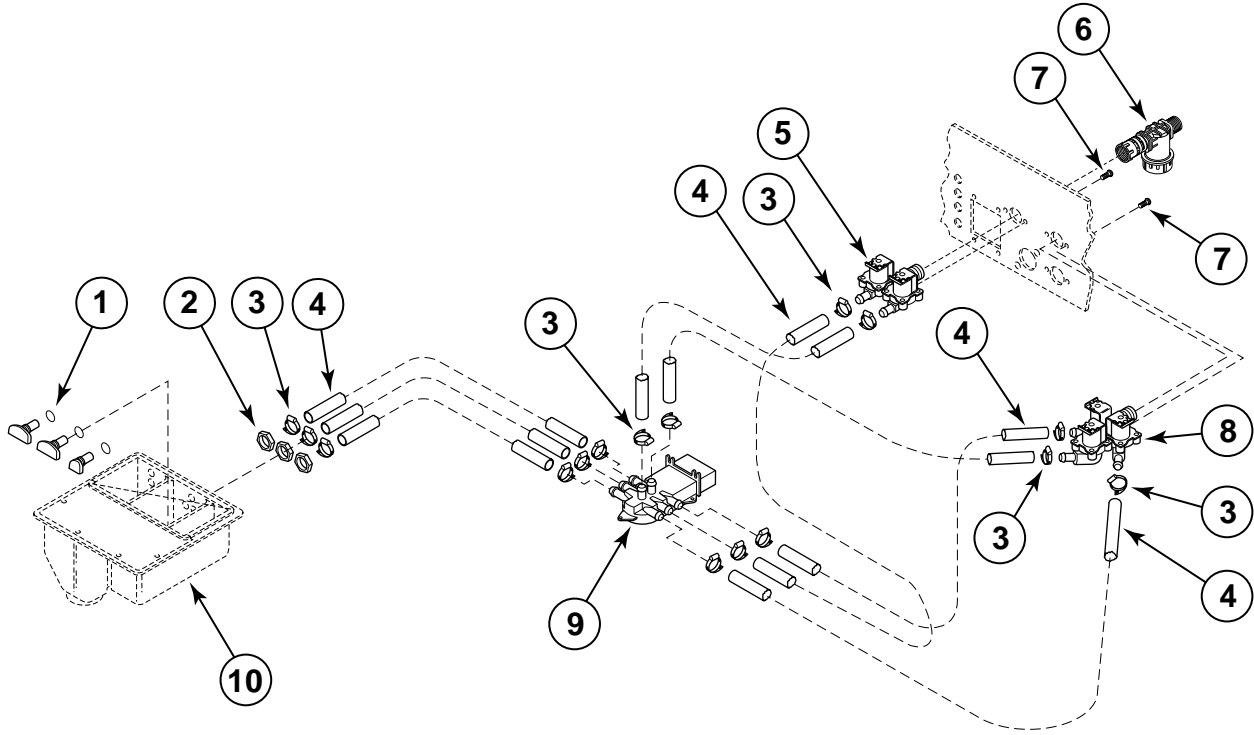
U020PE3B



# Clamps, Hoses

REF	PART #	DESCRIPTION	COMMENTS
1	F200213	Clamp	
2	F608238	Hose Connector	
3	F150436	Fill Hose	
4	F150330	Bottom Vacuum Breaker	
5	F431005	Nut	
6	F610031	Pipe	
7	F422815	Pipe	
8	F200215	Clamp	
9	F80043	Clamp	
10	F200170	Vent Hose	

# Water Inlet Valves, Hoses, Vacuum Breaker

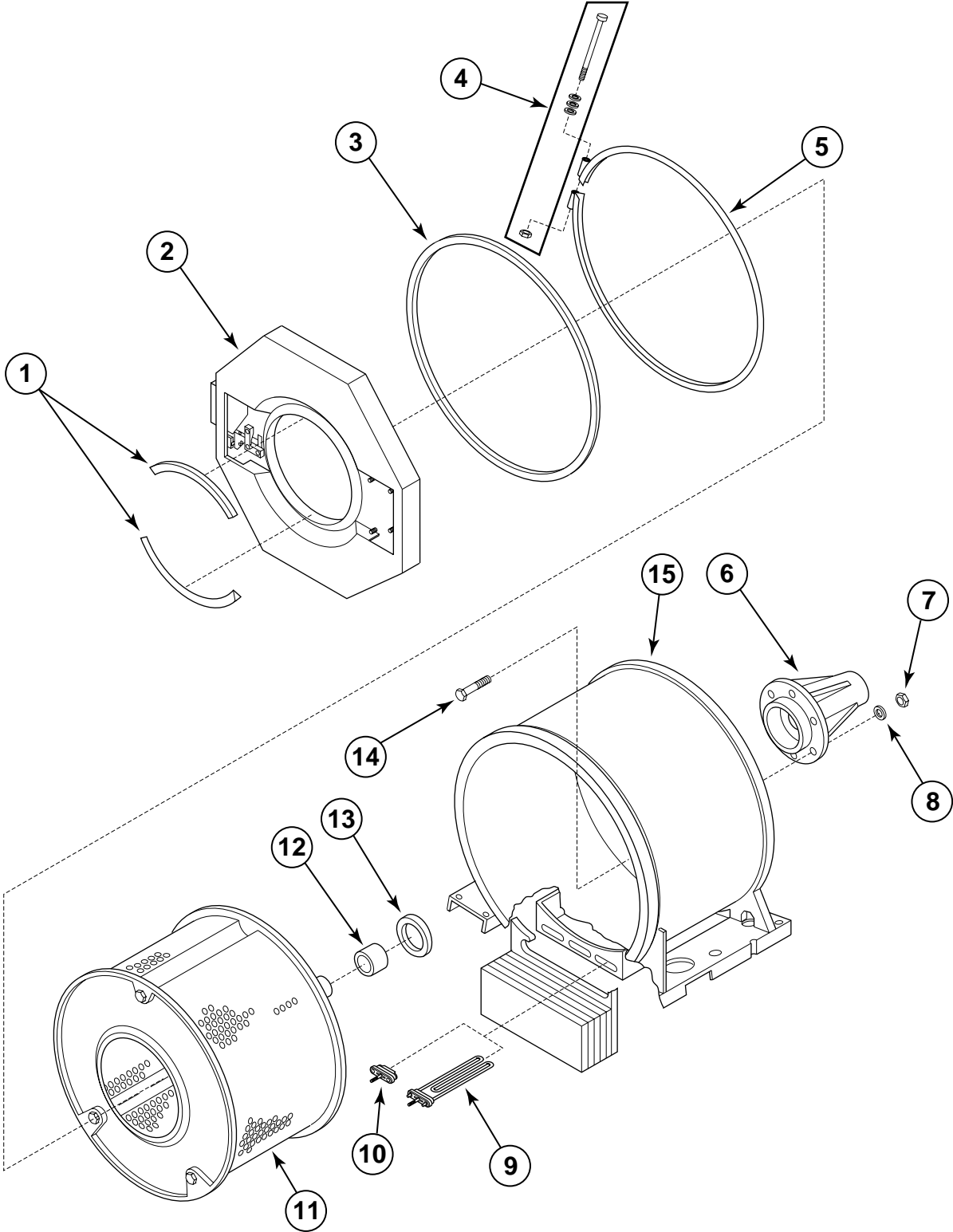


U018PE3A

## Water Inlet Valves, Hoses, Vacuum Breaker

REF	PART #	DESCRIPTION	COMMENTS
1	F170208	Seal	
2	F430224	Nut	
3	F200207	Hose Clamp	Replaced by 36801
4	F200108	Hose	
5	F380719	2-Way Valve	Models HF18, SF18 and UF18, 120 Volt
	F380716	2-Way Valve	Models HF25, SF25 and UF25, 220 Volt
6	F270306	Filters	
7	F430948	Screw	
8	F380720	3-Way Valve	Models HF18, SF18 and UF18, 120 Volt
	F380717	3-Way Valve	Models HF25, SF25 and UF25, 220 Volt
9	F150329	Top Vacuum Breaker	
10	F150307	Dispenser	Coin
	F602374-2	Dispenser	OPL

# Front Assembly, Cylinder and Outer Tub Assembly

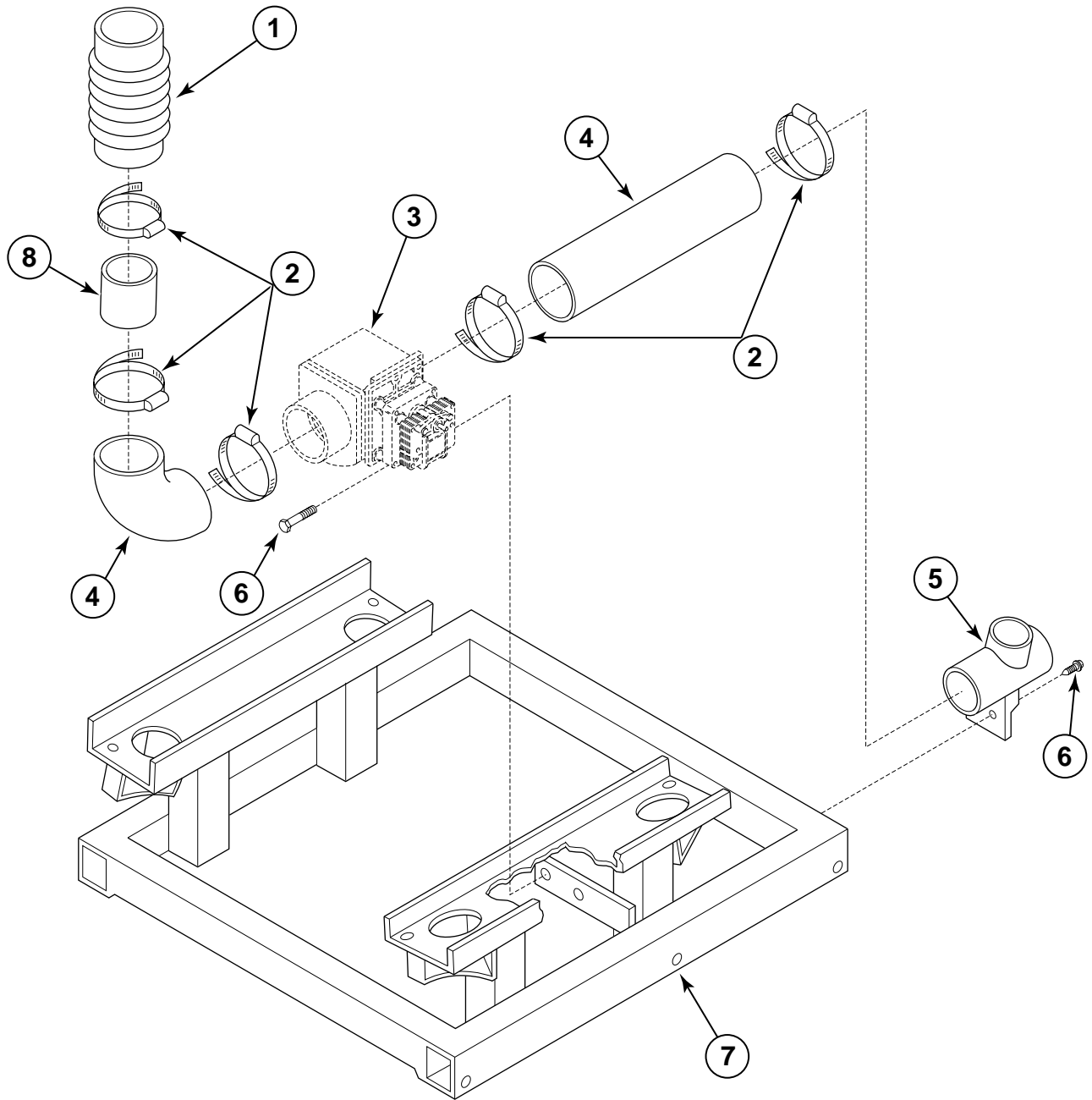


U031PE3A

## Front Assembly, Cylinder and Outer Tub Assembly

REF	PART #	DESCRIPTION	COMMENTS
1	F610203	Shell Front Trim	Models HF18, SF18 and UF18
	F630638	Shell Front Trim	Models HF25, SF25 and UF25
2	F609446	Shell Front Assembly Weldment	Models HF18, SF18 and UF18
	F630391	Shell Front Assembly Weldment	Models HF25, SF25 and UF25
3	F170152	Front Shell Gasket	Sold per foot
4	F791001	Fastener Kit	Replaces F730457
5	F602757	Shell Band Assembly	Models HF18, SF18 and UF18
	F631977	Shell Band Assembly	Models HF25, SF25 and UF25
6	F747006-01	Trunnion Kit	Models HF18, SF18 and UF18, Replaces F609442
	F609559	Trunnion Assembly	Models HF25, SF25 and UF25
7	F430218	Nut	
8	F431131	Washer	
9	F360206	Heating Element	
10	F360202	Plug	
11	F609440	Cylinder Assembly	Models HF18, SF18 and UF18
	F609555	Cylinder Assembly	Models HF25, SF25 and UF25
12	F609441	Shaft Sleeve	Models HF18, SF18 and UF18
	F609529	Shaft Sleeve	Models HF25, SF25 and UF25
13	F100269	V-Ring Seal	Models HF18, SF18 and UF18
	F100276	V-Ring Seal	Models HF25, SF25 and UF25
14	F430987	Trunnion Bolt	
15	F609456	Shell Weldment	Models HF18, SF18 and UF18
	F609557	Shell Weldment	Models HF25, SF25 and UF25

# Drain Valve Assembly, Hoses and Frame Assembly

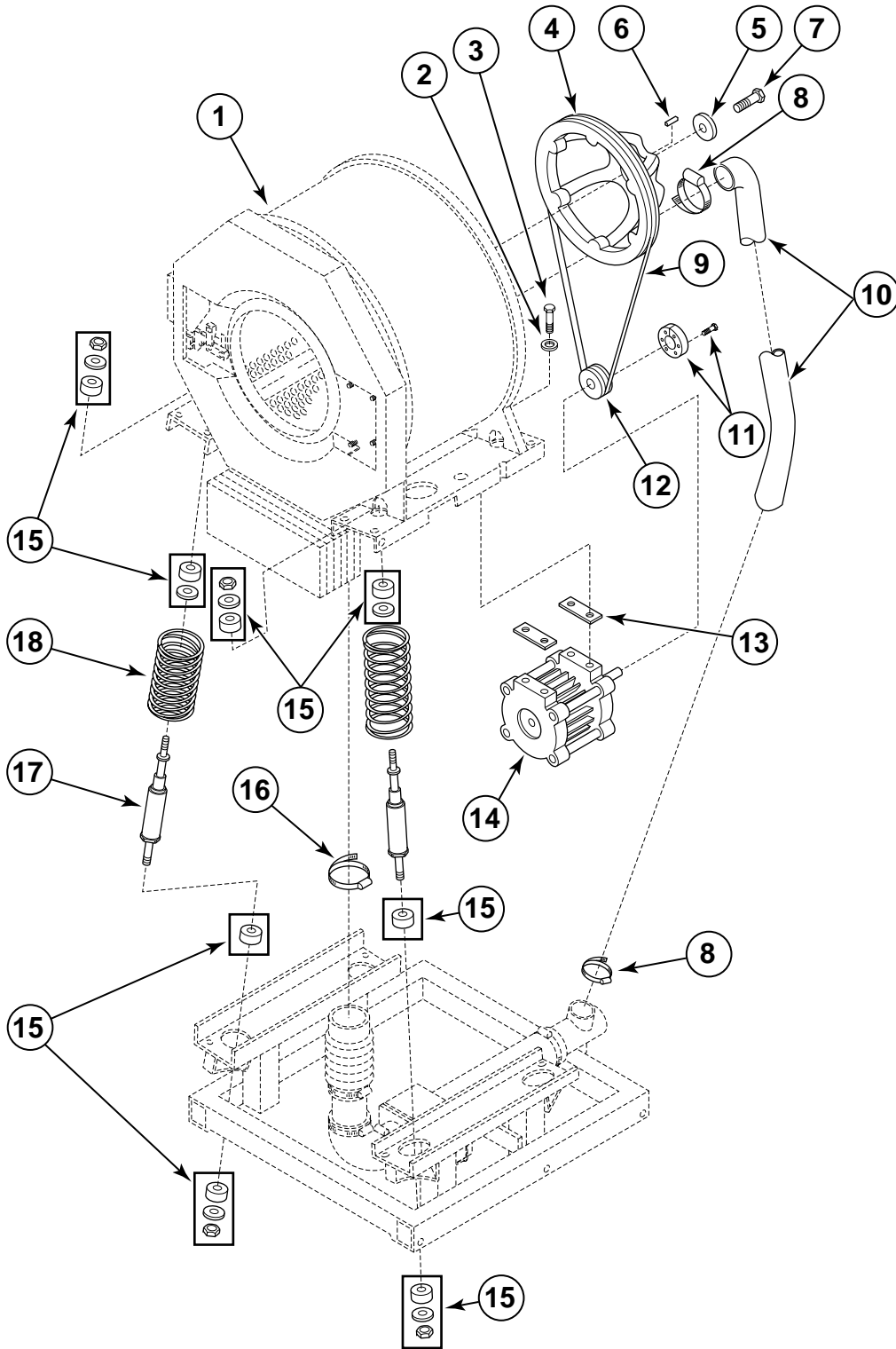


U022PE3A

## Drain Valve Assembly, Hoses and Frame Assembly

REF	PART #	DESCRIPTION	COMMENTS
1	F200171	Drain Flex Hose	
2	F200213	Clamp	#40
3	F380618	Drain Valve	Models HF18, SF18 and UF18
	F380619	Drain Valve	Models HF25, SF25 and UF25
4	F150311	Drain Hose	Models HF18, SF18 and UF18
	F150331	Drain Hose	Models HF25, SF25 and UF25
5	F150318	Plastic Drain Tee	
6	F430103	Screw	
7	F609474	Frame Assembly	Models HF18, SF18 and UF18
	F609552	Frame Assembly	Models HF25, SF25 and UF25
8	F602794-1	Coupling	

# Motor and Belt Assembly



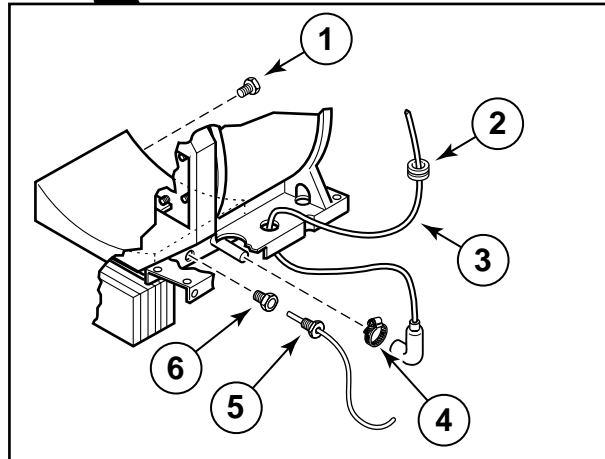
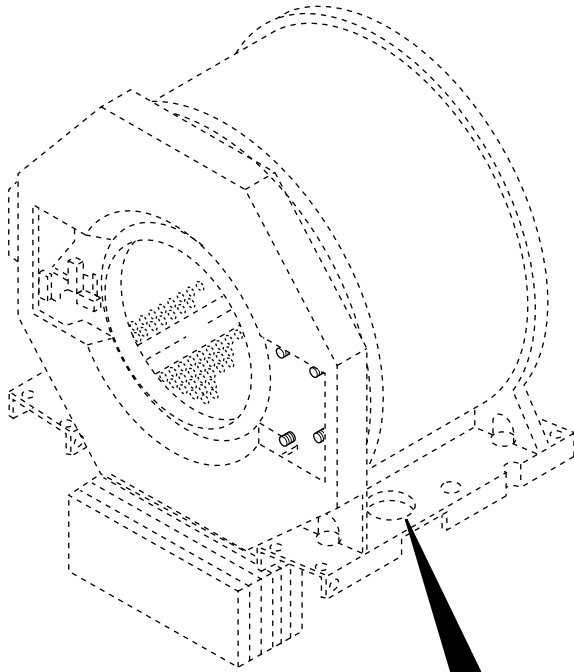
U033PE3A



# Motor and Belt Assembly

REF	PART #	DESCRIPTION	COMMENTS
1	F609456	Weldment	Models HF18, SF18 and UF18
	F609557	Weldment	Models HF25, SF25 and UF25
2	F430332	Washer	
3	F430109	Bolt	
4	F150262	Pulley	
5	F605985	Pulley Plate	
6	F430801	Key	
7	F430100	Bolt	
8	F200215	Clamp	#28
9	F280406	Belt	Models HF18, SF18 and UF18
	F280407	Belt	Models HF25, SF25 and UF25
10	F150394	Overflow Hose	
11	F288277	Pulley Bushing and Screws	
12	F280278	Pulley	
13	F632370	Shims	
14	F220223	Motor	Models HF18, SF18 and UF18
	F220228	Motor	Models HF25, SF25 and UF25
15	F250706	Shock Absorber Hardware	
16	F200213	Clamp	#40
17	F250504	Shock Absorber	
18	F310136	Spring	Models HF18, SF18 and UF18
	F310138	Spring	Models HF25, SF25 and UF25

# Temperature Probe and Bushings

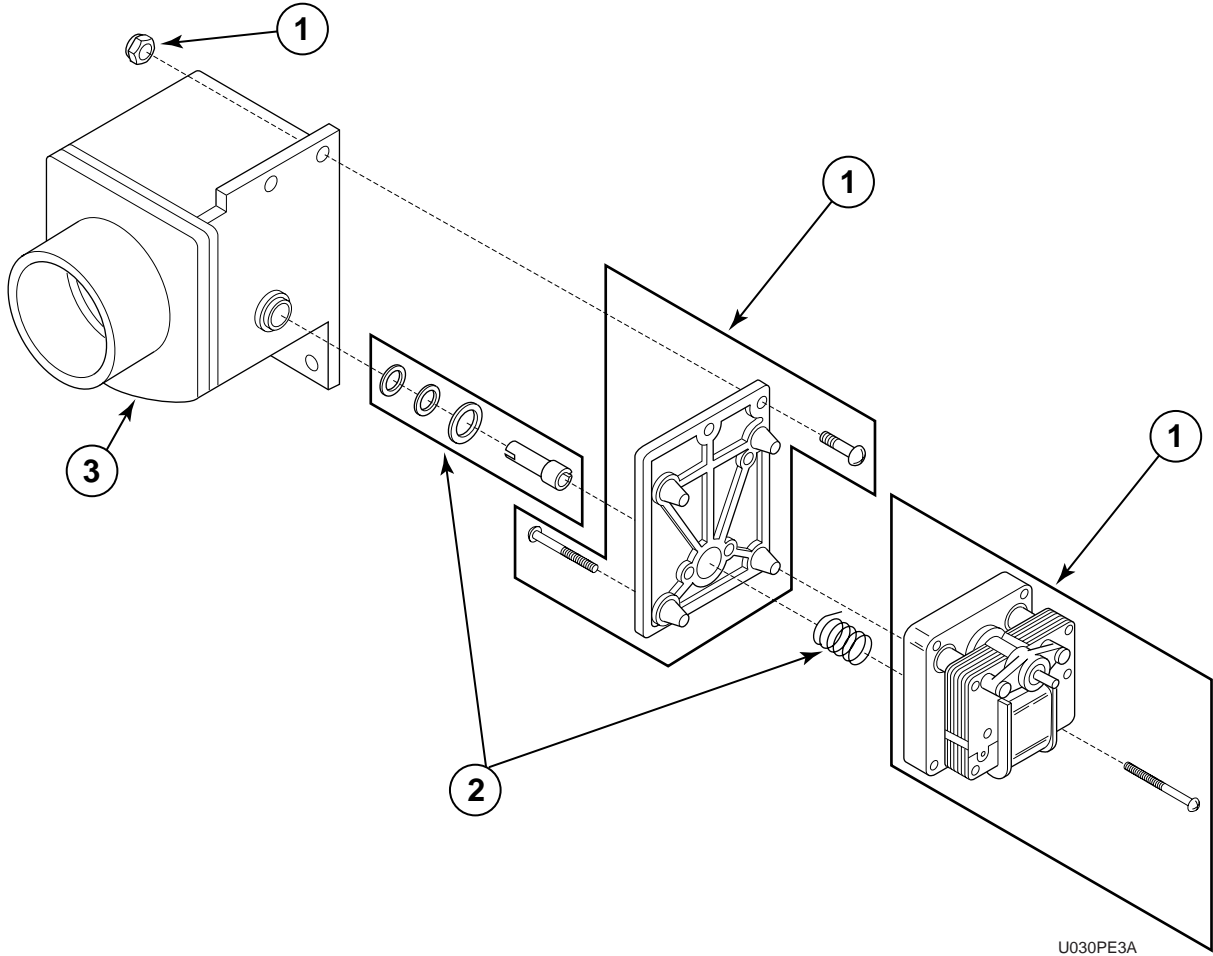


U032PE3A

## Temperature Probe and Bushings

REF	PART #	DESCRIPTION	COMMENTS
1	F421507	Plug	
2	F170604	Bushing	
3	F200142	Hose	
4	F200205	Hose Clamp	
5	F370606	Temperature Probe	
6	F421936	Reducer Bushing	

# Drain Valve Assembly

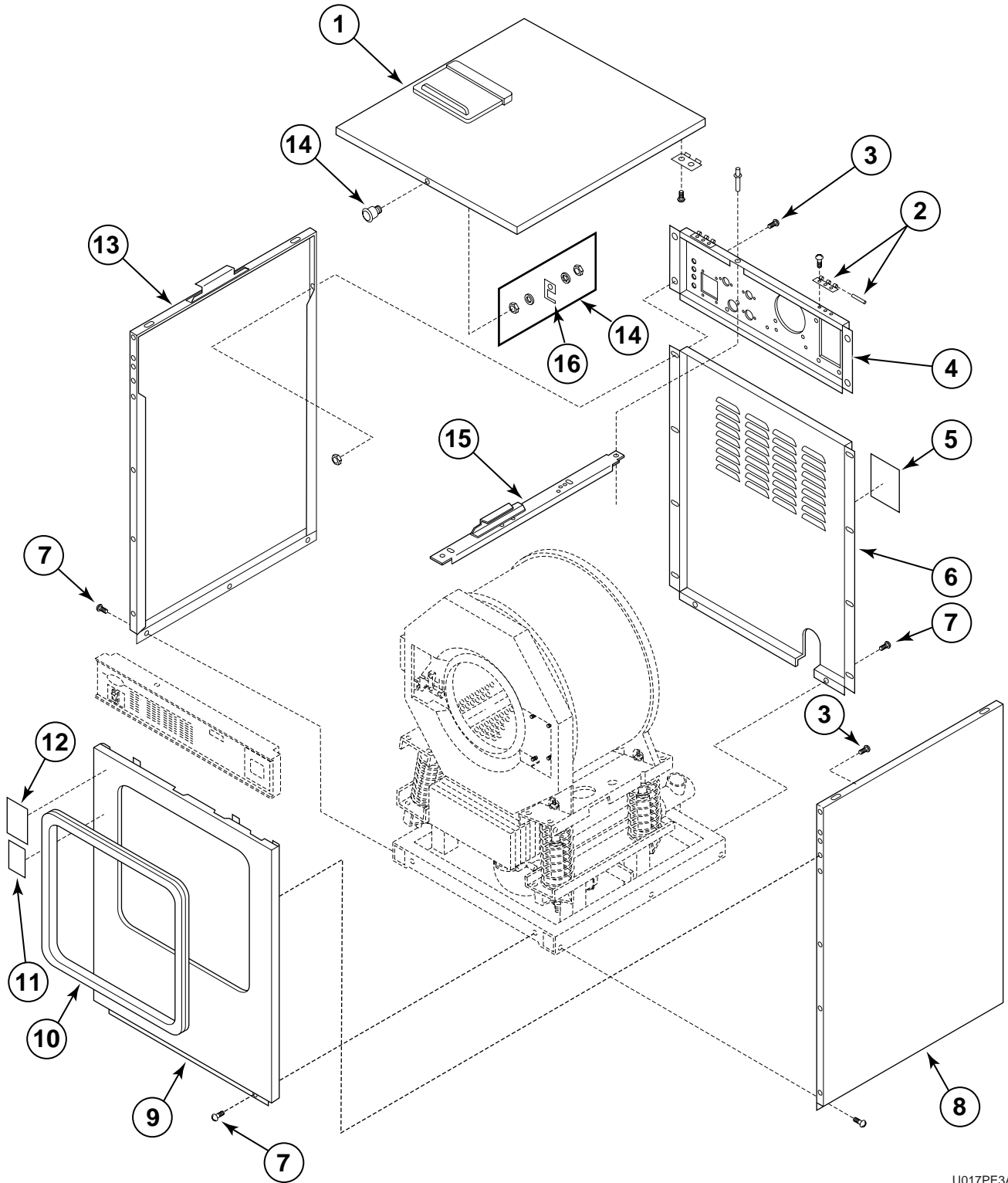


U030PE3A

## Drain Valve Assembly

REF	PART #	DESCRIPTION	COMMENTS
1	F380943	Motor	110 Volt, 60 Hertz, Keyed Shaft
	F380942	Motor	110 Volt, 60 Hertz, Round Shaft
	F380944	Motor	220 Volt, 50 Hertz, Keyed Shaft
	F380933	Motor	220 Volt, 50 Hertz, Round Shaft
2	F380918	Main Drive and Seal Kit	
3	F380920	Valve	2"
	F380600	Valve	3", Complete Assembly only

# Panels



U017PE3A

# Panels

REF	PART #	DESCRIPTION	COMMENTS
1	F632976	Top Cover	Models HF18, SF18 and UF18
	F632976-1	Top Cover	Models HF25, SF25 and UF25
2	F190203	Hinge Assembly	
3	F430925	Screw	
4	F609485	Rear Panel	Models HF18, SF18 and UF18
	F609565	Rear Panel	Models HF25, SF25 and UF25
5	F230560	Decal	
6	F609477	Rear Cover	Models HF18, SF18 and UF18
	F609568	Rear Cover	Models HF25, SF25 and UF25
7	F430179	Screw	
8	F609478	Side Panel	Models HF18, SF18 and UF18
	F609573	Side Panel	Models HF25, SF25 and UF25
9	F609480	Front Outer Cover	Models HF18, SF18 and UF18, OPL
	F609572	Front Outer Cover	Models HF25, SF25 and UF25, OPL
	F609518	Front Outer Cover	Models HF18, SF18 and UF18, Coin
	F630619	Front Outer Cover	Models HF25, SF25 and UF25, Coin
10	F170405	Seal	
11	F231263	Decal	
12	F231065	Decal	
13	F609478	Side Panel	
14	F190802	Lock	
15	F609495	Center Bore	
16	F602753	Latch	

# Parts Index

## A

AC Drive Box Center	
F609488 .....	21
F609566 .....	21
AC Drive Mounting Bracket	
F609489 .....	21
F609563 .....	21
AC Inverter Drive	
F370811 .....	21
F370813 .....	21
Aluminum Extrusion	
F150428 .....	9
F630472 .....	9

## B

Base Stop Push Button	
F340705 .....	9
Belt	
F280406 .....	31
F280407 .....	31
Bolt	
F430100 .....	31
F430109 .....	31
Bottom Vacuum Breaker	
F150330 .....	23
Brass Door Lock Catch	
F609501 .....	17
Bushing	
F170604 .....	33

## C

Cable	
F140216 .....	19
Cable Connector	
F140224 .....	19
F140330 .....	19
Center Bore	
F609495 .....	37
Clamp	
F200213 .....	23, 29, 31
F200215 .....	23, 31
F80043 .....	23
Clip	
F601515 .....	9
Computer	
F370313 .....	9
F370313-10 .....	9
Connection Box	
F609483 .....	21
Connection Box Cover	
F609484 .....	7
Connector	
F140329 .....	21
F140331 .....	21
Control Panel Decal	
F231080 .....	5, 9

F231081 .....	5, 9
F231086 .....	5, 9
F231101 .....	5, 9
F231145 .....	5, 9
F231159 .....	5, 9
F231160 .....	5, 9
F231239 .....	5, 9
F231240 .....	5, 9
F231241 .....	5, 9
F231242 .....	5, 9

Coupling	
F602794-1 .....	29
Cover	
F609484 .....	21
Cover Assembly	
F632976 .....	5
F632976-1 .....	5
Cylinder Assembly	
F609440 .....	27
F609555 .....	27

## D

Decal	
F230560 .....	37
F230662 .....	15
F231065 .....	37
F231263 .....	37
Diode Bridge	
F370310 .....	19
Dispenser	
F150307 .....	25
F602374-2 .....	25
Door	
F602431-2 .....	15
F633922 .....	15
Door Gasket	
F170106 .....	15
F170123 .....	15
Door Glass	
F290205 .....	15
F290207 .....	15
Door Handle	
F150225 .....	15
Door Handle Spacer	
F633575 .....	15
Door Hinge	
F633791 .....	15
Door Latch Microswitch	
F340919 .....	17
Door Lock Assy.	
F609500 .....	17
F609500-1 .....	17
Door Lock Lever	
F605381 .....	17
Door Lock Plate	
F609503 .....	17
Door Lock Splash Shield	
F320200 .....	17
Door Lock Spring	
F310125 .....	15



Door Lock Torsion Spring F310110 .....	17
Door Mount F633790 .....	15
Door Release Solenoid F300112 .....	17
F300123 .....	17
F300124 .....	17
Door Release Switch F340412 .....	5, 9
DPST Interlock Switch F340710 .....	17
Drain Flex Hose F200171 .....	29
Drain Hose F150311 .....	29
F150331 .....	29
Drain Valve F380618 .....	29
F380619 .....	29

---

## E

Electrical Box Cover F609487 .....	19
Emergency Stop Push Button F340706 .....	5, 9
Emergency Stop Switch F340429 .....	9

---

## F

Fan F110106 .....	21
F110110 .....	21
Fastener Kit F791001 .....	27
Fiberlock Nut F430232 .....	15
Fill Hose F150436 .....	23
Filter Retainer Guard F220900 .....	7
Filters F270306 .....	25
Frame Assembly F609474 .....	29
F609552 .....	29
Front Outer Cover F609480 .....	37
F609518 .....	37
F609572 .....	37
F630619 .....	37
Front Shell Gasket F170152 .....	27
Fuse F350104 .....	19
F350108 .....	19
F350109 .....	19
F350128 .....	21
F350131 .....	19
F350132 .....	19

Fuse Holder F350304 .....	19, 21
F3404125	

---

## G

Gasket F630695-1 .....	15
Ground Connector F140734 .....	21
Guard Retainer Filter F220900 .....	21

---

## H

Heating Element F360206 .....	27
Hinge Assembly F190203 .....	37
Hinge Shim F602679 .....	15
Hose F200108 .....	25
F200142 .....	19, 33
Hose Clamp F200205 .....	33
F200206 .....	13
F200207 .....	25
Hose Connector F608238 .....	23

---

## I

Input Power Block F140746 .....	21
Insert F432265 .....	15

---

## K

Key F430801 .....	31
Keypad Decal F370576 .....	5, 9

---

## L

Latch F602753 .....	37
Latch Arm F150229 .....	15
Lock F190802 .....	37

---

## M

Main Drive and Seal Kit	
F380918 .....	35
Middle Front Cover	
F609479 .....	5
F609494 .....	15
F609522 .....	15
F609571 .....	5
F630596 .....	15
F630620 .....	15
Motor	
F220223 .....	31
F220228 .....	31
F380933 .....	35
F380942 .....	35
F380943 .....	35
F380944 .....	35

---

## N

Neoprene Tubing	
F200168 .....	13
Nozzle	
F380300 .....	13
Nozzle Kit	
F730168 .....	13
Nut	
F430215 .....	9, 15, 17, 21
F430218 .....	27
F430220 .....	17
F430224 .....	13, 25
F430225 .....	17
F430231 .....	17, 19, 21
F430232 .....	17, 21
F431005 .....	11, 21, 23
F431022 .....	9
F431041 .....	15
Nylon Washer	
F431907 .....	15

---

## O

O-ring	
F170209 .....	15
F170219 .....	15
Outer Front Cover	
F609480 .....	5
F609572 .....	5
Overflow Hos	
F150394 .....	31

---

## P

PC Board Standoff	
F180501 .....	19
Pin	
F431222 .....	15
Pipe	
F422815 .....	23
F610031 .....	23

Plastic Drain Tee	
F150318 .....	29
Plug	
F360202 .....	27
F421507 .....	33
Pulley	
F150262 .....	31
F280278 .....	31
Pulley Bushing and Screws	
F288277 .....	31
Pulley Plate	
F605985 .....	31
Push Button Rod	
F320300 .....	15
Push Red Button Decal	
F230661 .....	15

---

## R

Rear Cover	
F609477 .....	7, 37
F609568 .....	7, 37
Rear Panel	
F609485 .....	7, 13, 37
F609565 .....	7, 13, 37
Rear Panel Assembly	
F609499 .....	7
F630374 .....	7
Reducer Bushing	
F421936 .....	33
Rod Hinge	
F630794 .....	15

---

## S

Screw	
F430103 .....	29
F430124 .....	15
F430174 .....	19, 21
F430179 .....	37
F430910 .....	21
F430916 .....	19
F430925 .....	9, 37
F430929 .....	21
F430938 .....	21
F430948 .....	25
F430976 .....	15
F430977 .....	17
F430983 .....	17
F430995 .....	9
Seal	
F170208 .....	13, 25
F170405 .....	37
Shaft Sleeve	
F609441 .....	27
F609529 .....	27
Shell Band Assembly	
F602757 .....	27
F631977 .....	27
Shell Front Assembly Weldment	
F609446 .....	27
F630391 .....	27
Shell Front Trim	
F610203 .....	27

F630638.....	27
Shell Weldment	
F609456.....	27
F609557.....	27
Shim	
F603185.....	17
Shims	
F632370.....	31
Shock Absorber	
F250504.....	31
Shock Absorber Hardware	
F250706.....	31
Shoulder Washer	
F431903.....	17
Side Panel	
F609478.....	5, 9, 37
F609573.....	5, 9, 37
Soap Dispenser	
F150307.....	11
F602374-2.....	11
Soap Dispenser Bracket	
F602722.....	11
Soap Dispenser Clamp	
F602729.....	11
Soap Dispenser Cover	
F150305.....	11
Spring	
F310136.....	31
F310138.....	31
Stop, Push Button	
F605382.....	17
Supply Dispenser Cover	
F150305.....	5
Supply Dispenser Gasket	
F170170.....	11

---

## **T**

Temperature Probe	
F370606.....	33
Terminal Cage Clamp	
F140766.....	21
Terminal Clamp Cage	
F140766.....	19
Top Cover	
F632976.....	37
F632976-1.....	37
Top Vacuum Breaker	
F150329.....	25
Trim	
F150428.....	5
F630472.....	5
Trunnion Assembly	
F609559.....	27
Trunnion Bolt	
F430987.....	27
Trunnion Kit	
F747006-01.....	27

---

## **V**

V Output Board	
F370314.....	19
Vacuum Breaker Cover	
F603151.....	7
Valve	
F380600.....	35
F380920.....	35
Vent Hose	
F200170.....	23
V-Ring Seal	
F100269.....	27
F100276.....	27

---

## **W**

Washer	
F430332.....	31
F431100.....	17
F431105.....	11
F431131.....	27
F431901.....	17
F431902.....	17
Washers	
F431123.....	17
Water Level Switch	
F340319.....	19
Weldment	
F609456.....	31
F609557.....	31

---

## **Numerics**

2-Way Valve	
F380716.....	7, 25
F380719.....	7, 25

---

## **Numerics**

3-Way Valve	
F380717.....	7, 25
F380720.....	7, 25