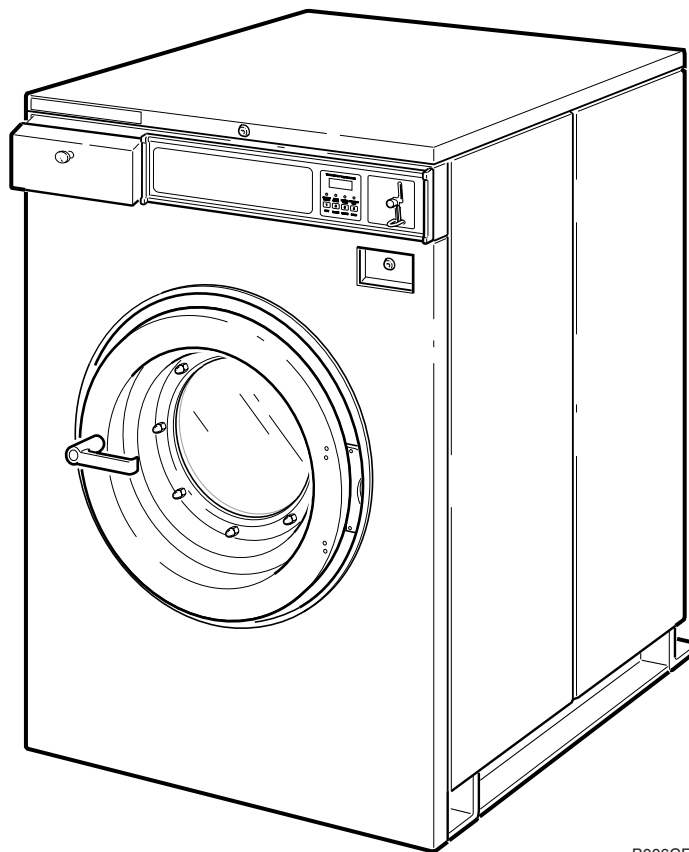


Washer-Extractor

Cabinet Hardmount
HC80, SC80, UC80



B006CE3A

Parts

Table of Contents

Title	Page
Parts Ordering Information	2
Nameplate Location	2
Model Identification	3
Display Coin Drop Assembly	4
Non-Display Coin Meter Assembly	6
Switch Assembly	8
Front Panels	10
Cover Panels and Frame Assembly	12
Air Filter Assembly	14
Door Assembly	16
Door Safety Interlock	18
Pin Door Lock	20
Coin Door Lock Assembly	22
Cover Assembly with Dispenser	24
Supply Dispenser	26
Control Module (Mechanical Timer)	28
Electronic Control Module Box and Related Parts	30
Electronic Control Module Box and Related Parts	32
Electronic Control Module Box and Related Parts	34
Basket Assembly	36
Water Inlet Valves	38
Optional External Water Filters and Water Supply Hoses	40
Inlet Valve Hoses	42
Vent Hoses	44
Drain System	46
Front and Rear Bearing Assemblies, Basket Pulley and Grease Manifold	48
Motor Assemblies	50
Parts Index	53

© Copyright 2000, Alliance Laundry Systems LLC

All rights reserved. No part of the contents of this book may be reproduced or transmitted in any form or by any means without the expressed written consent of the publisher.

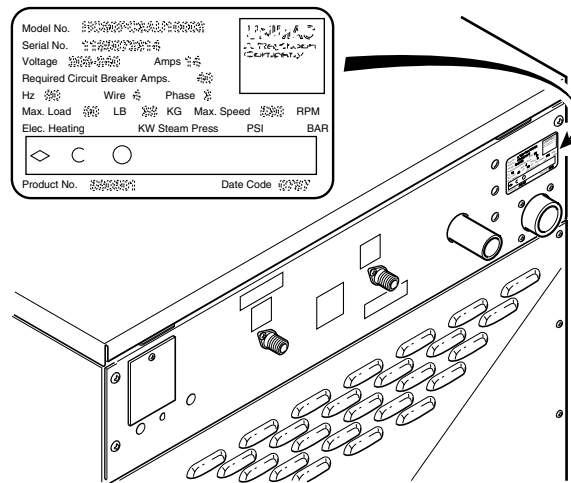
Parts Ordering Information

If literature or replacement parts are required, contact the source from whom the machine was purchased or contact Alliance Laundry Systems at (920) 748-3950 for the name and address of the nearest authorized parts distributor.

For technical assistance, call (920) 748-3121.

Nameplate Location

When calling or writing about your product, be sure to mention model and serial numbers. Model and serial numbers are located on nameplate(s) as shown.



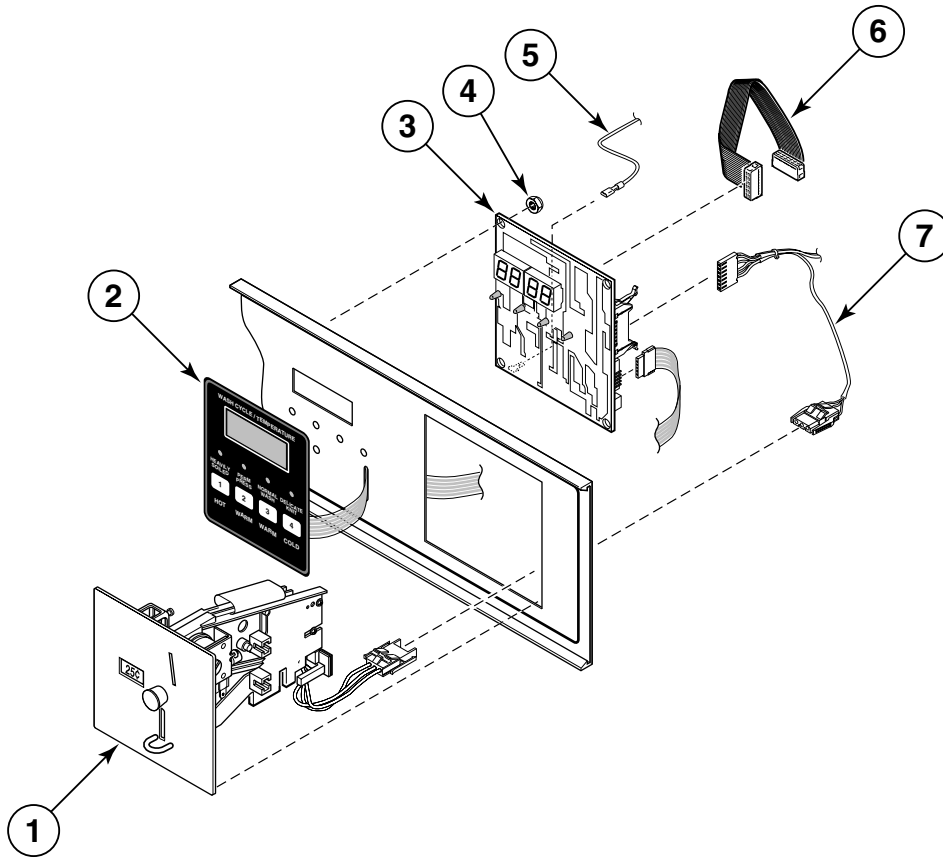
U050P

Model Identification

Information in this manual is applicable to these washer-extractors:

HC80MN3	SC80MN3	UC80MN3
HC80MC3	SC80MC3	UC80MC3
HC80MD3	SC80MD3	UC80MD3
HC80MH3	SC80MH3	UC80MH3
HC80MV3	SC80MV3	UC80MV3
HC80PC3	SC80SN3	UC80PC3
HC80SN3	SC80VNV	UC80PN3
HC80VNV	SC80ECV	UC80VNV
HC80VCV		

Display Coin Drop Assembly

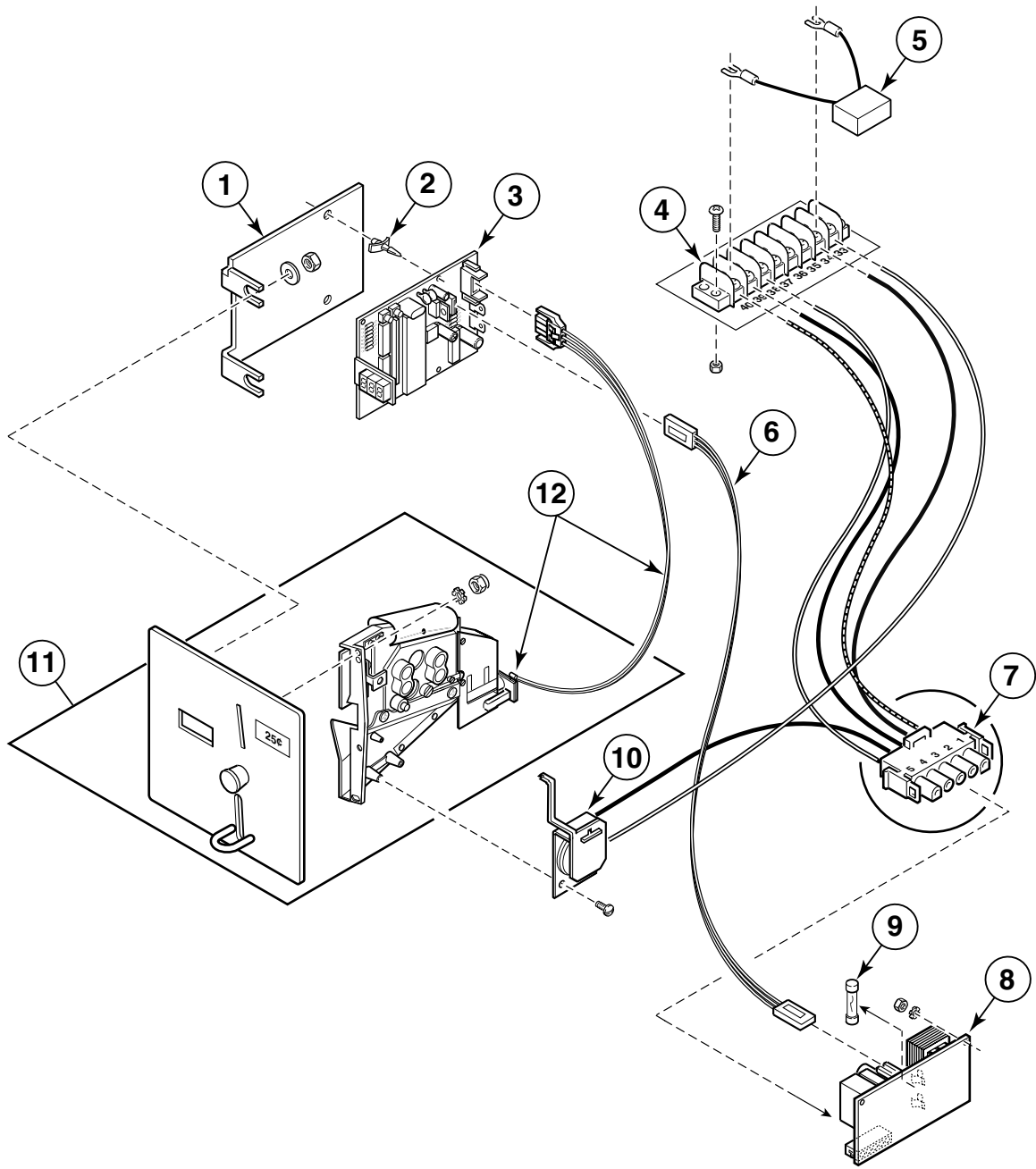


U001PE3B

Display Coin Drop Assembly

REF	PART #	DESCRIPTION	COMMENTS
	F231462	Decal	Single Drop
	F231381	Decal	OPL V-Comp
	F231382	Decal	SC80EC
	F798721	Retro Fit Kit	
1	F608209-1	Coin Drop	Use with models before 7-91
	F160684	Coin Drop	120 Volt, use with models after 7-91
2	F370576	Computer Keypad	S-Series computer
	F340605	Computer Keypad	PC micro HC
	F340611	Computer Keypad	Micro HC
	F340608	Computer Keypad	SN, VN for SC
	F370576	Computer Keypad	PN, VN for UC, HC
3	F370555-01	Computer	STD, VC
	F370518-00	Computer	D Coin, with heat
	F370313-13	Computer	VNV
	F370313-20	Computer	Micro-CPTR Spcl Armstrong
	F370313-50	Computer	VCV Models
4	F430231	Nut	
5	F140160	Ground Wire	Sold per foot
6	F140215	Ribbon Connector	Connects computer board and output board
	F140216	Ribbon Connector	HC80, SC80, UC80 new models
7	F775801-01	Optic Switch Kit	MC Models
	F775801-02	Optic Switch Kit	PC Models

Non-Display Coin Meter Assembly

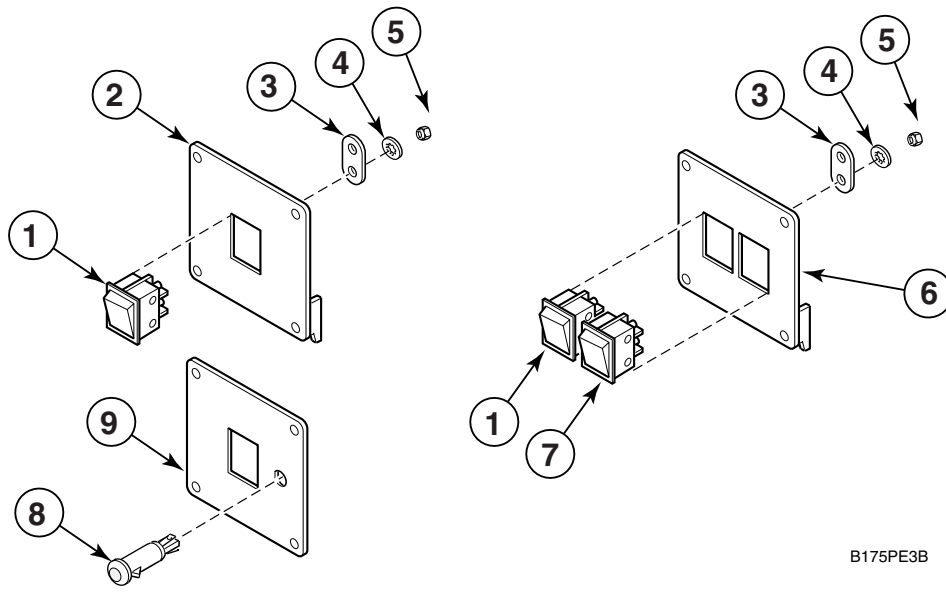


U051PE3B

Non-Display Coin Meter Assembly

REF	PART #	DESCRIPTION	COMMENTS
	F608209-1	Coin Meter Assembly	120 Volt, Hanke Meter
1	F608169	Mounting Bracket	
2	F432001	PC Board Standoff	
3	F370410	Coin Counter Relay Board	
4	F140916	Terminal Strip	(33-40)
5	F330217	RC Network Filter	
6	F140202	Power Supply Board Cable	
7	F607322-2	Power Input Wiring Harness	
8	F370411-1	Power Supply Board	120 Volt
	F370411-2	Power Supply Board	240 Volt
9	F350127	Fuse	40 MA
10	F160461	Blocking Coil	110 Volt, Hanke Meter
	F160462	Blocking Coil	220 Volt, Hanke Meter
	F160466	Blocking Coil	110 Volt
	F160467	Blocking Coil	220 Volt
11	F160667	Coin Meter	120 Volt, United States quarter
	F160707	Coin Meter	120 Volt, Canada quarter
	F160711	Coin Meter	120 Volt, Canada \$1/quarter
	F160706	Coin Meter	220 Volt, Japanese Yen
	F160704	Coin Meter	220 Volt, Turkish Lira
	F609179-5	Coin Meter	220 Volt, Token .880
	F609179-4	Coin Meter	500 Won, Korea
	F609179-2	Coin Meter	Quarter, U.S.
	F775302-01	Coin Meter Kit	120 Volt, Quarter MC, V-Comp, U.S.
	F775302-02	Coin Meter Kit	120 Volt, Quarter, U.S.
	F775303-03	Coin Meter Kit	120 Volt, Quarter MC, U.S.
	F775304-01	Coin Meter Kit	220 Volt, Krona MD 1/5, Danish
	F650030	Coin Meter	24 Volt, EC U.S. Quarter
	F160668	Coin Meter	220 Volt, \$1.20 Australia non-display
	F160684	Coin Meter	120 Volt, C U.S. Quarter W2000
	F160685	Coin Meter	10 Yuan D, Taiwan
	F160688	Coin Meter	220 Volt, MD 1/5 Rand
	F160692	Coin Meter	220 Volt, D Token .880
	F160693	Coin Meter	120 Volt, 100/500 Yen, Japan W2
	F160694	Coin Meter	220 Volt, 1/5 DNS, Korea
	F160698	Coin Meter	220 Volt, 1/5 Rand, South Africa
	F160699	Coin Meter	120 Volt, MD Token, 990 W2000
	F160705	Coin Meter	220 Volt, D100/500 Yen, Japan
	F160708	Coin Meter	120 Volt, Hanke D Coin \$1/.25, Canada
	F160709	Coin Meter	220 Volt, D DNS 1/5 Krona, Danish
12	775801-01	Optic Switch Kit	MC Coin Models
	775801-02	Optic Switch Kit	PC Coin Models

Switch Assembly

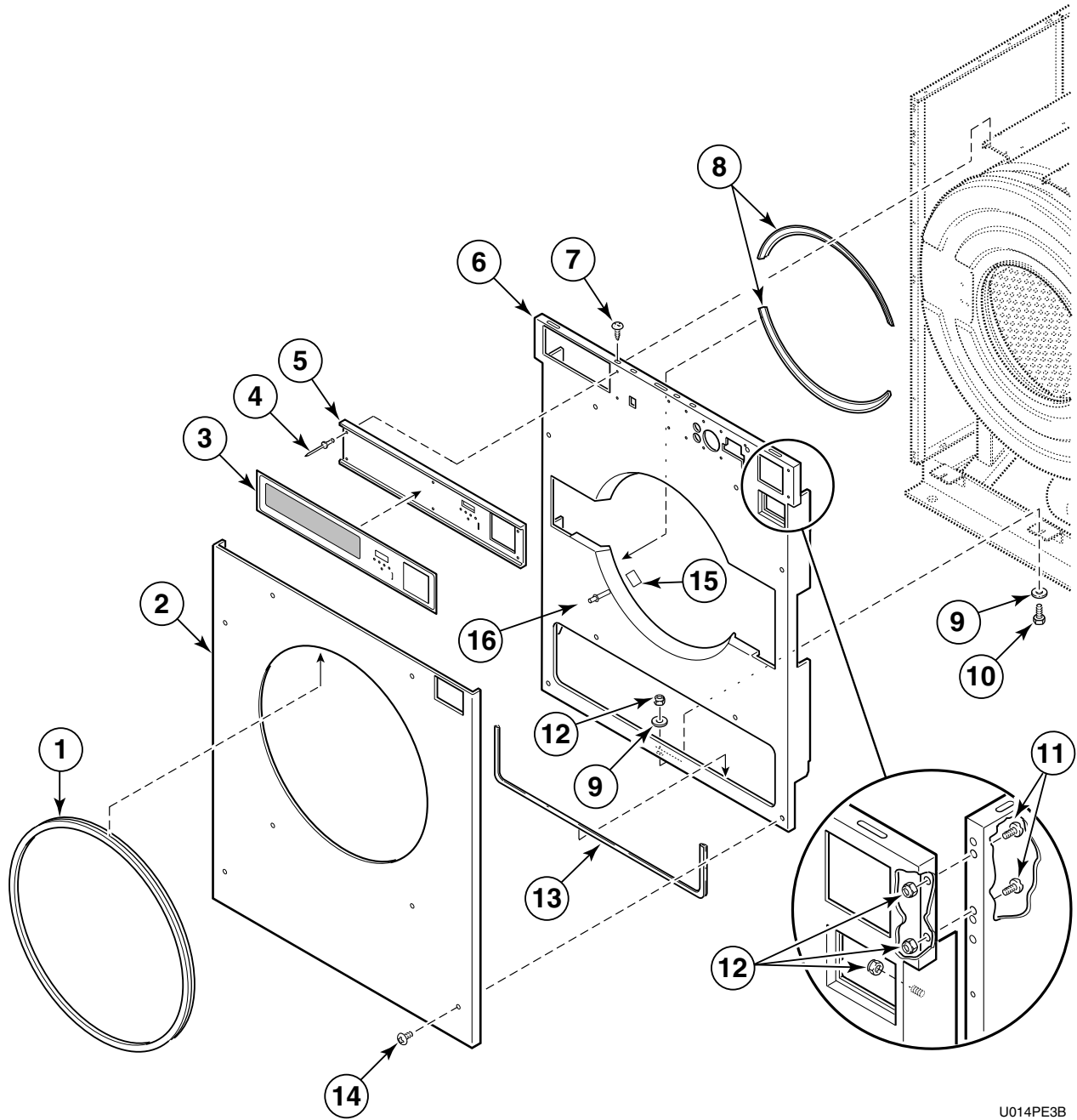


B175PE3B

Switch Assembly

REF	PART #	DESCRIPTION	COMMENTS
	F330230	Flange Relay	220 Volt, VNV Models
	F330227	Flange Relay	110 Volt, VNV Models
1	F340411	Switch	
2	F633063	Plate	Plate comes with stud
3	F601515	Clip	
4	F430311	Washer	Two
5	F430232	Nut	
6	F633087	Plate	
7	F340412	Switch	
8	F350411	Amber Light	VNV Models
9	F633538	Plate	VNV Models

Front Panels



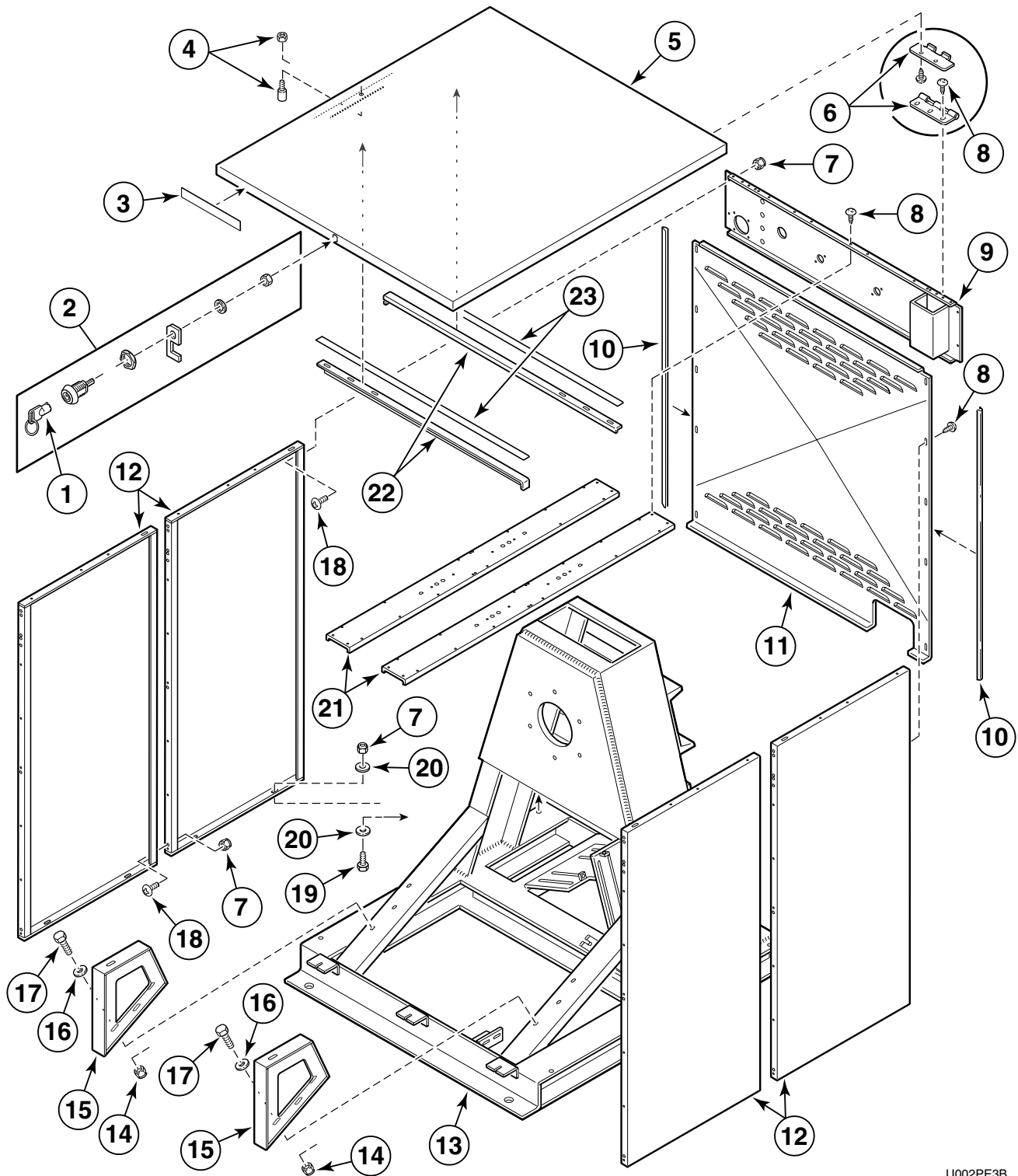
U014PE3B

Front Panels

REF	PART #	DESCRIPTION	COMMENTS
	F631691-1	Inner Front Panel ECV	Not Shown
1	F170402	Front Panel Gasket	Sold per foot
2	F757460	Front Panel Kit	Includes screws, Coin, Orange
	F757465	Front Panel Kit	Includes screws, OPL, Orange
	F757470	Front Panel Kit	Includes screws, OPL, Blue
	F757475	Front Panel Kit	Includes screws, Coin, Blue
	F757476	Front Panel Kit	Includes screws, Coin, SS
	F757477	Front Panel Kit	Includes screws, Coin, Almond
	F757479	Front Panel Kit	Includes screws, Coin, White
	F757480	Front Panel Kit	Includes screws, OPL, SS
	F757481	Front Panel Kit	Includes screws, OPL, Almond
	F757483	Front Panel Kit	Includes screws, OPL, White
3	F231155	Overlay	SC MC/D Models
	F231471	Overlay	SC P/S/VN Models
	F231404	Overlay	SC V-computer Overlay
	F231493	Overlay	EDC
	F231559	Overlay	HC P/VC, Icon
	F231165	Overlay	SC MN Models
	F231193	Overlay	SC MN, Icon
	F231188	Overlay	SC MC/D, Icon
	F231389	Overlay	SC P/S/VN, Icon
	F231017	Overlay	UC MN
	F231016	Overlay	UC MD
	F231019	Overlay	UC P/S/VN
	F231494	Overlay	UC VNV
	F231554	Overlay	HC P/VC
4	F430418	Rivet	
5	F150476	Control Panel	EDC Models
	F150477	Control Panel	PN, PC, VN Models
6	F603989-4	Front Inner Panel Assembly	
7	F430174	Screw	
8	F170401	Front Inner Panel Guard	Sold per foot
9	F430338	Washer	
10	F430935	Bolt	
11	F430925	Screw	
12	F430215	Nut	
13	F170402	Service Opening Guard	Sold per foot
14	F430968	Screw	
15	F340702	Magnetic Switch	
16	F431217	Rivet	

Cover Panels and Frame Assembly

Use with Machines Manufactured 10/97 and before



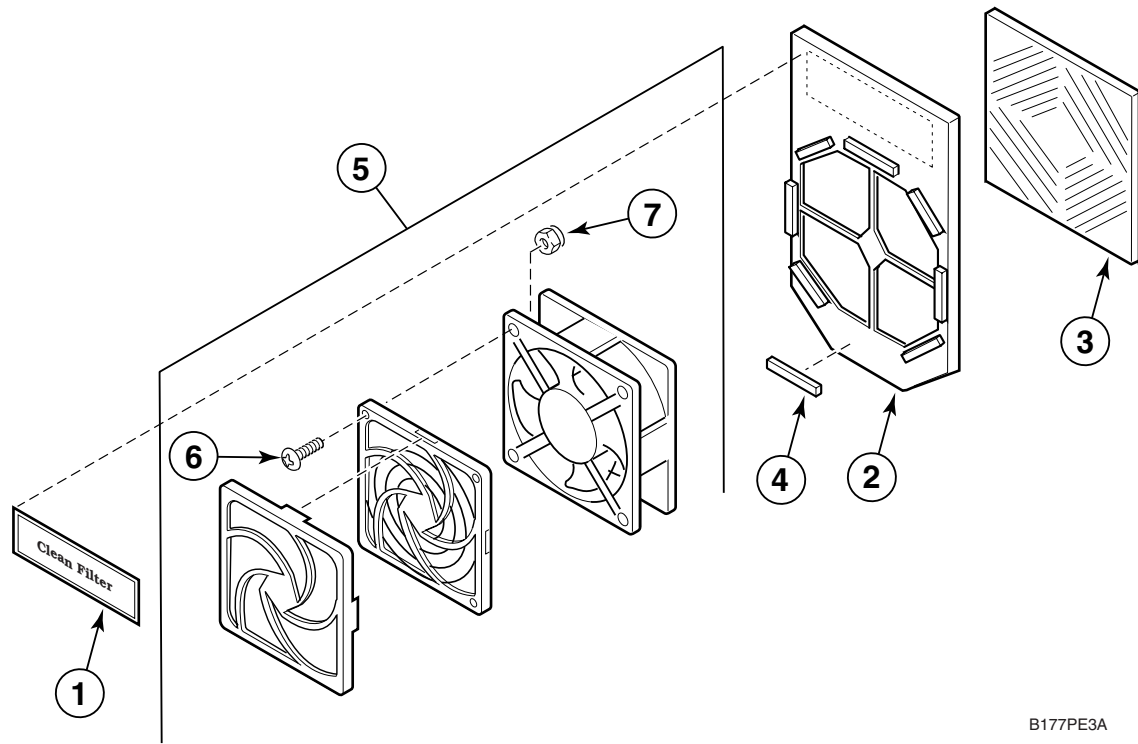
U002PE3B

Cover Panels and Frame Assembly

Use with Machines Manufactured 10/97 and before

REF	PART #	DESCRIPTION	COMMENTS
1	F160562	Key	GR3800, barrel
	F190805-1	Key	RL003, flat
2	F190802	Lock	GR3800
	F190805	Lock	RL003
3	F231045	Supply Dispenser Sticker	
4	F390300	Guide Lug	Includes nut
5	F608791	Top Cover Assembly	without dispenser
	F633923	Top Cover Assembly	with dispenser
6	F190203	Take-Apart 2-Piece Hinge	
7	F430215	Nut	
8	F430174	Screw	
9	F608797	Valve Panel	
10	F170402	Edge Guard	Sold per foot
11	F603976	Galvanized Rear Panel	
12	F603969	Side Panel	Four per machine, Reversible
13	F633673	Frame	
14	F430205	Nut	
15	F603947	Shell Supports	
16	F430301	Washer	
17	F430109	Bolt	
18	F430925	Screw	
19	F430108	Bolt	
20	F430317	Washer	
21	F603972	Top Brace	
22	F603980	Top Cover Stiffener	
23	F410212P	Adhesive Tape	Sold per foot

Air Filter Assembly

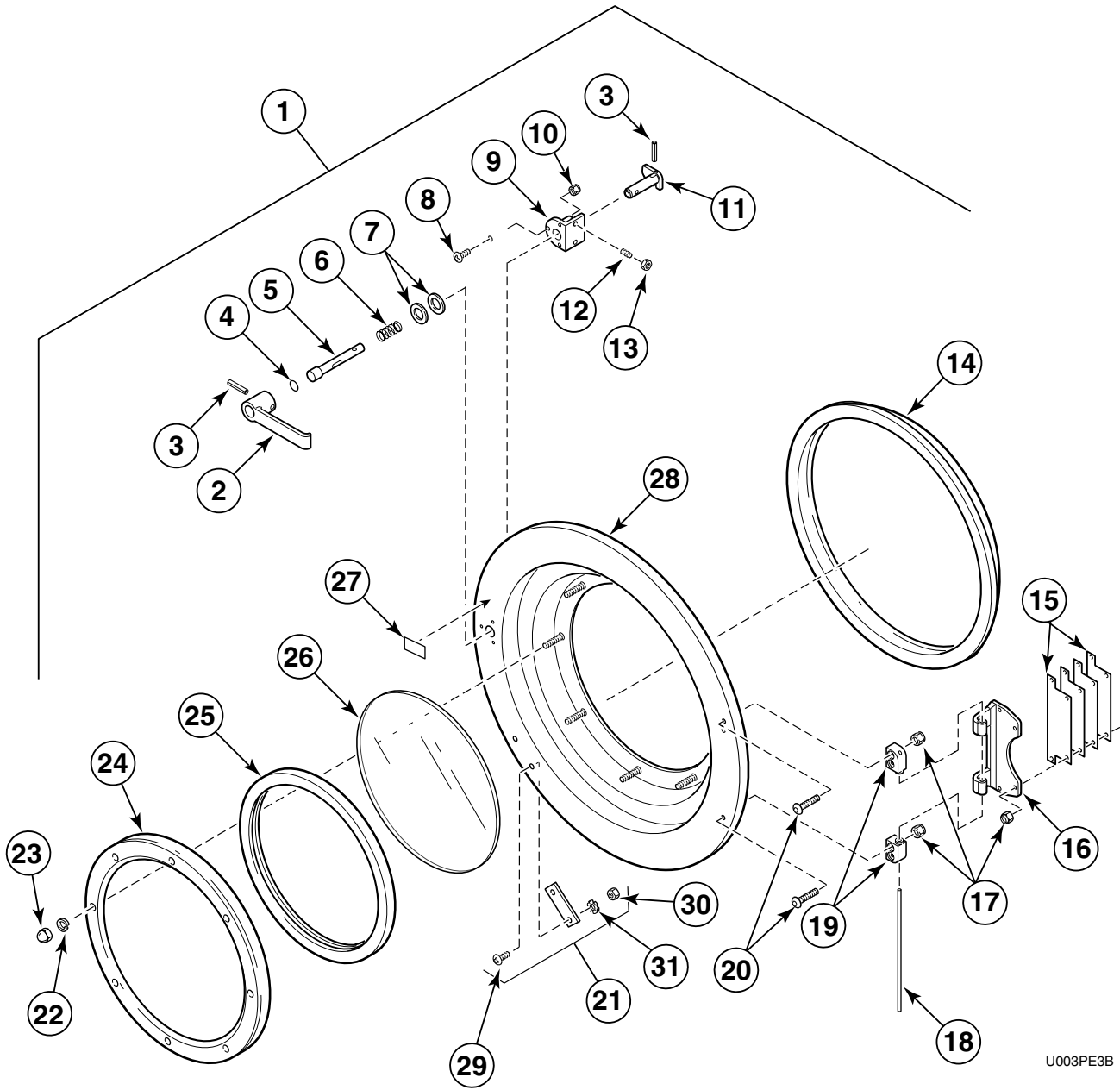


B177PE3A

Air Filter Assembly

REF	PART #	DESCRIPTION	COMMENTS
1	F231377	Decal	
2	F633321	Air Filter Slide	
3	F633508	Foam Filter Mesh	
4	F140639	Velcro Strip	
5	F110106	Cooling Fan	
6	F430910	Screw	
7	F430231	Nut	

Door Assembly



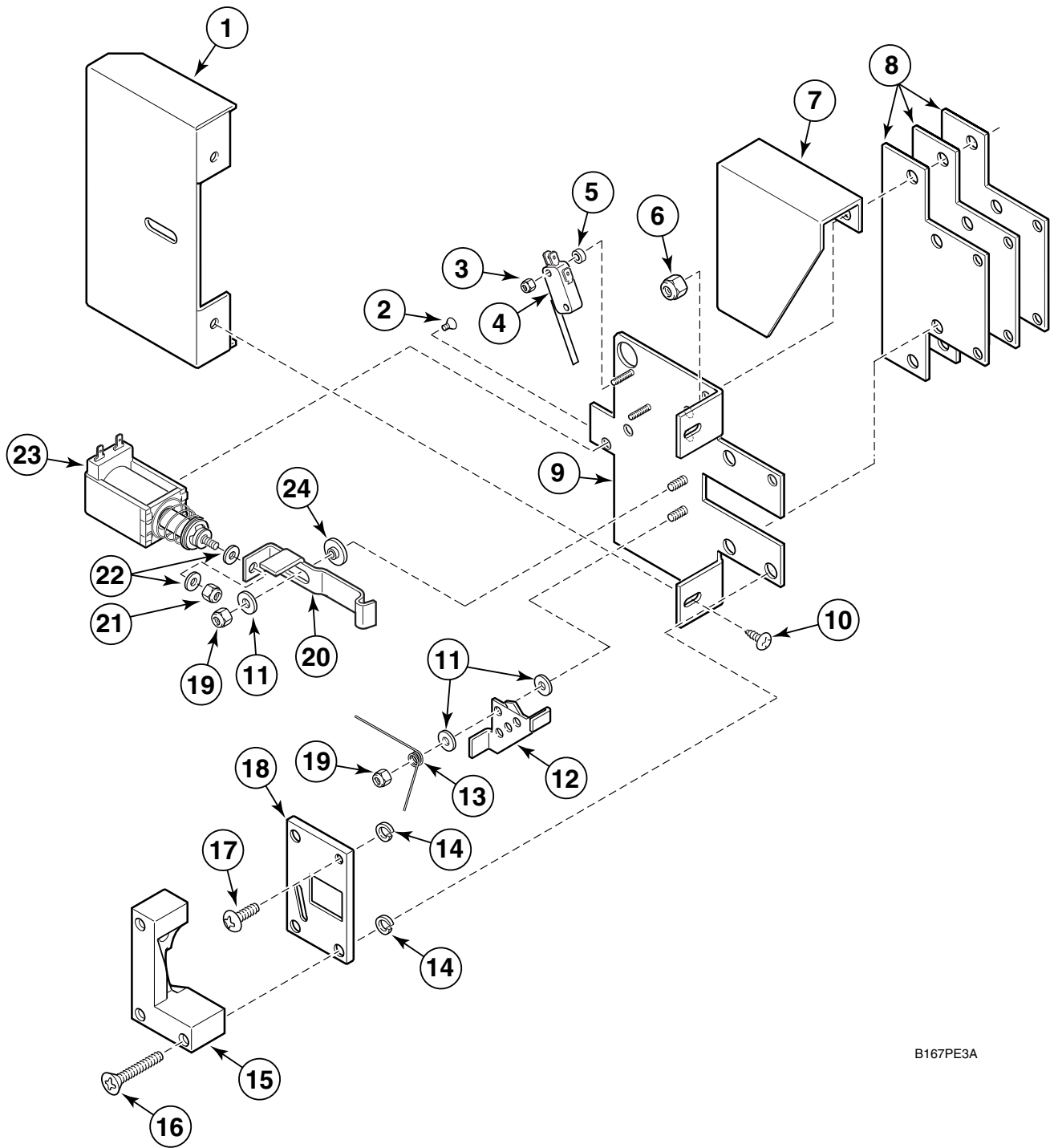
U003PE3B

Door Assembly

REF	PART #	DESCRIPTION	COMMENTS
	F608783-1	Door Assembly	PC, MC
1	F608783-2	Door Assembly	EDC, VCV, PN, SN, with magnet
2	F150225	Door Handle	
3	F431222	Pin	
4	F230662	Button Sticker	Red
5	F320300	Push Button Rod	
6	F310125	Door Lock Spring	
7	F431907	Nylon Washer	
8	F430976	Screw	
9	F150227	Door Handle Spacer	
10	F430232	Nut	
11	F150229	Latch Arm	
12	F430532	Screw	
13	F431041	Nut	
14	F170164	Door Gasket	
15	F602679	Shim	As required
16	F150224	Door Hinge	
17	F430215	Nut	
18	F602813-3	Hinge Rod	
19	F150226	Hinge Retainer	
20	F432257	Security Screw	
21	F340703	Magnet	VCV, EDC and OPL only. Includes items 29, 30 and 31.
22	F431100	Hi-collar Lockwasher	
23	F431026	Cap Nut	
24	F320102	Glass Retainer	
25	F170115	Door Glass Gasket	
26	F290210	Door Glass	
27	F230661	Decal	Push red button
28	F608782-1	Studded Door	Without magnet
	F608782-2	Studded Door	With magnet
29	F430916	Bolt	
30	F431022	Nut	
31	F431113	Washer	

Door Safety Interlock

OPL Models



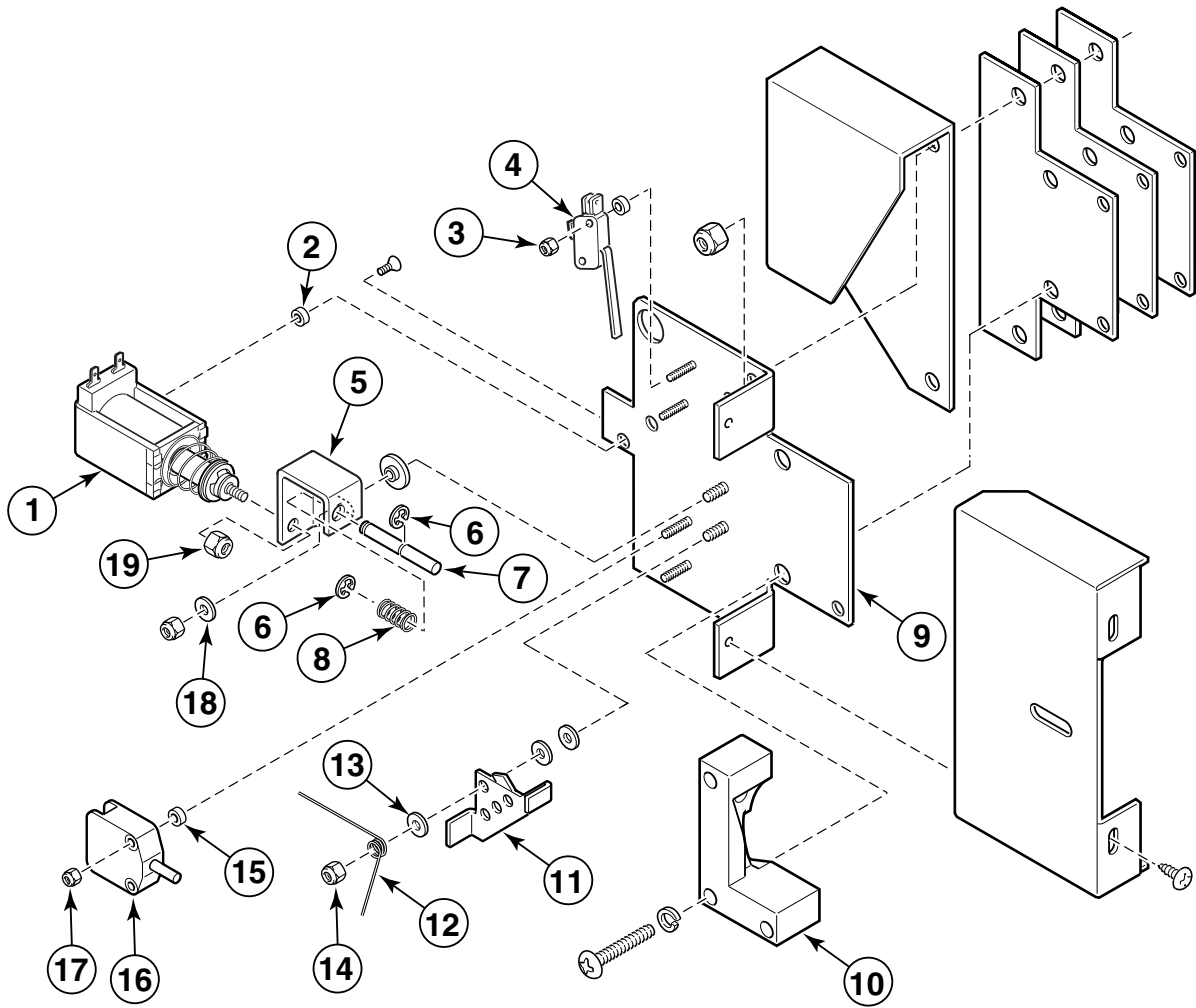
B167PE3A

Door Safety Interlock

OPL Models

REF	PART #	DESCRIPTION	COMMENTS
1	F603003	Door Lock Assembly Cover	
2	F430977	Screw	S.S. 6 - 32/3/16
3	F430225	Fiberlock Nut	
4	F340919	Microswitch - Door Lock	
5	F431901	Spacer	
6	F430215	Fiberlock Nut	Pltd, 1/4-20
7	F320200	Splash Door Lock Shield	Mylar
8	F603185	Door Lock Shim	Use as needed
9	F605394	Door Lock Plate	
	F605394-1	Door Lock Plate	OPL
	F605394-2	Door Lock Plate	"L" Catch OPL
10	F430174	Screw	PL, 8-18x3/8, Tx, Sltd RH
11	F431902	Washer	
12	F605381	Door Lock Lever	
13	F310110	Spring Torsion Door Lock	
14	F431100	Washer	Split lock, S.S. 1/4
15	F150223	Door Lock Catch	Brass
	F150261	Door Lock Catch	"L" Catch
16	F430983	Screw	
17	F430925	Screw	S.S. 1/4 -20 x 1/2 PL, RHMS
18	F602567	Door Lock Plate Cover	
19	F430232	Fiberlock Nut	Pltd, 8-32
20	F605382	Stop Pushbutton	
21	F430220	Fiberlock Nut	Pltd, 10-32
22	F431123	Washer	Flat, S.S., #10, SAE
23	F300112	Solenoid Door Release	120V - 220V DC
	F300123	Solenoid Door Release	240 Volt
24	F431903	Shoulder Washer	Teflon #8

Pin Door Lock

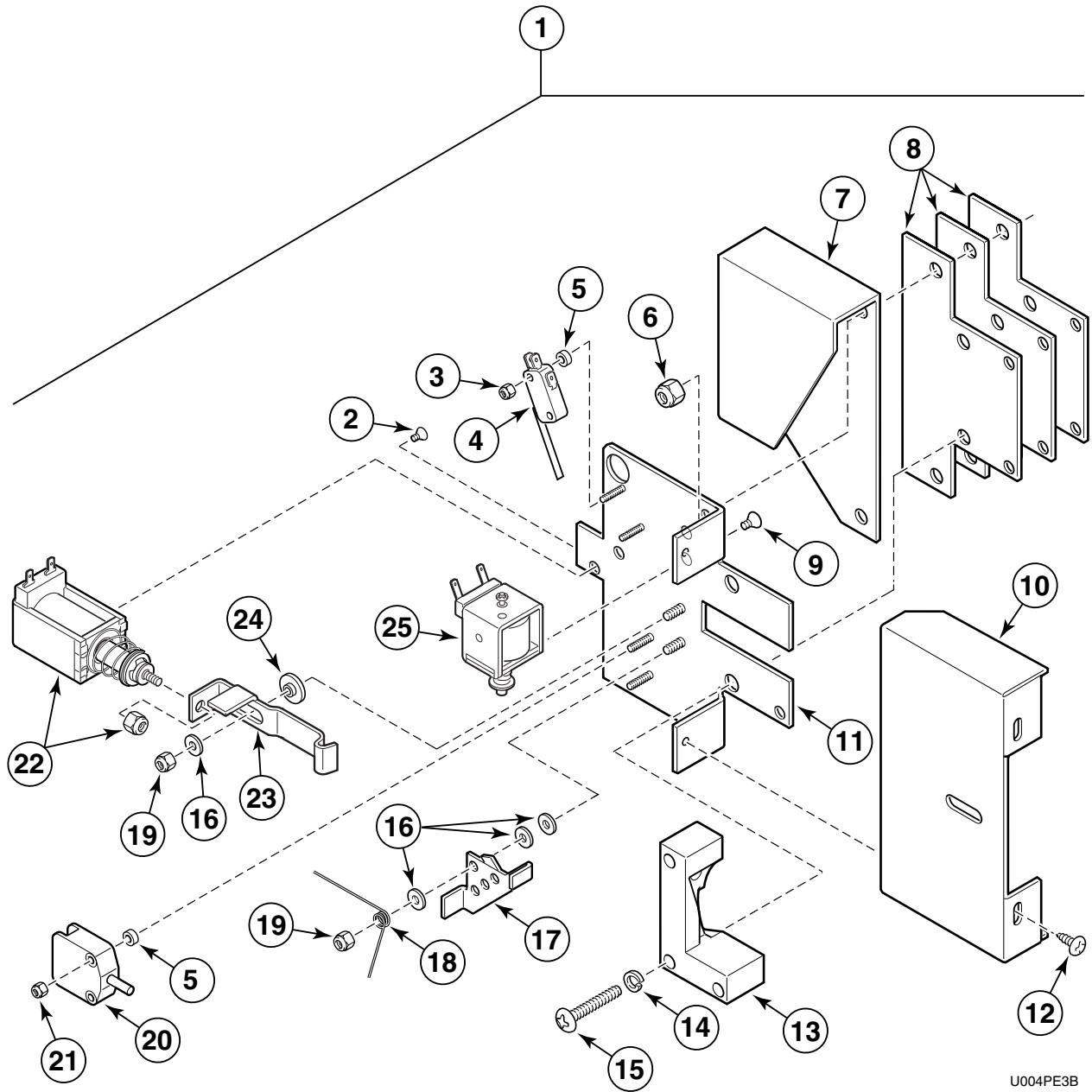


B178PE3B

Pin Door Lock

REF	PART #	DESCRIPTION	COMMENTS
1	F300124	Solenoid	
2	F430977	Spacer	
3	F430225	Nut	
4	F402923	Door Lock Switch	
5	F150455	Linkage	
6	F310205	Retainer	
7	F431231	Pin	
8	F310137	Spring	
9	F630887	Plate Subassembly	
10	F450261	Catch	
11	F605381	Lever	
12	F310710	Spring	
13	F431902	Washer	
14	F430232	Nut	
15	F431901	Spacer	
16	F340200	Switch	
17	F430231	Nut	
18	F431123	Washer	
19	F431017	Nut	

Coin Door Lock Assembly



U004PE3B

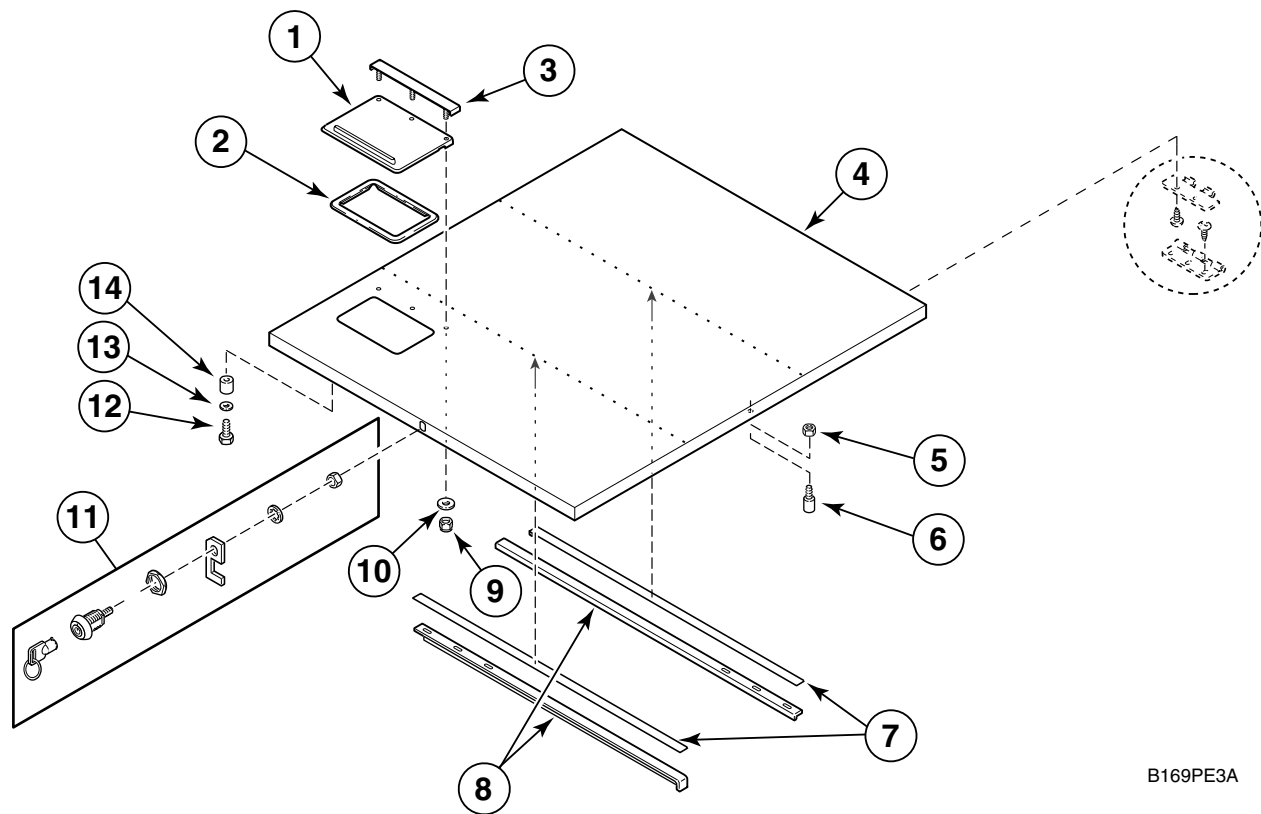
Coin Door Lock Assembly

REF	PART #	DESCRIPTION	COMMENTS
	F431017	Nut	Not Shown - Included in F604753-3 Door Lock Assembly
	F431123	Washer, #10	Not Shown - Included in F604753-3 Door Lock Assembly
1	F604753-3	Door Lock Assembly	*C80M Models
	F604753-4	Door Lock Assembly	All other models
2	F430977	Screw	
3	F430225	Nut	
4	F340919	Door Lock Microswitch Lever	
5	F431901	Spacer	
6	F430215	Nut	
7	F320200	Shield	
8	F603185	Shim	As required
9	F430978	Screw	
10	F603003	Cover	
11	F602511-2	Door Lock Plate	
12	F430174	Screw	
13	F150261	Door Lock Catch	"L"-shaped
	F150223	Door Lock Catch	"I"-shaped
14	F431100	Lockwasher	
15	F430921	Screw	
16	F431902	Washer	
17	F605381	Door Lock Lever	
18	F310110	Door Lock Torsion Spring	
19	F430232	Nut	
20	F340200	Door Switch	*C80M Models
	F340201	Door Switch	All other models
21	F430231	Nut	
22	F300112	Door Release Solenoid	Includes nut, 110-220 Volt
23	F602540	Push Button Stop	
24	F431903	Shoulder Washer	
25	F300113	Door Lock Solenoid	100-220 Volt

* Add Letter To Designate Color. L – Almond W – White

Cover Assembly with Dispenser

Use with Model Numbers 10/97 and After



B169PE3A

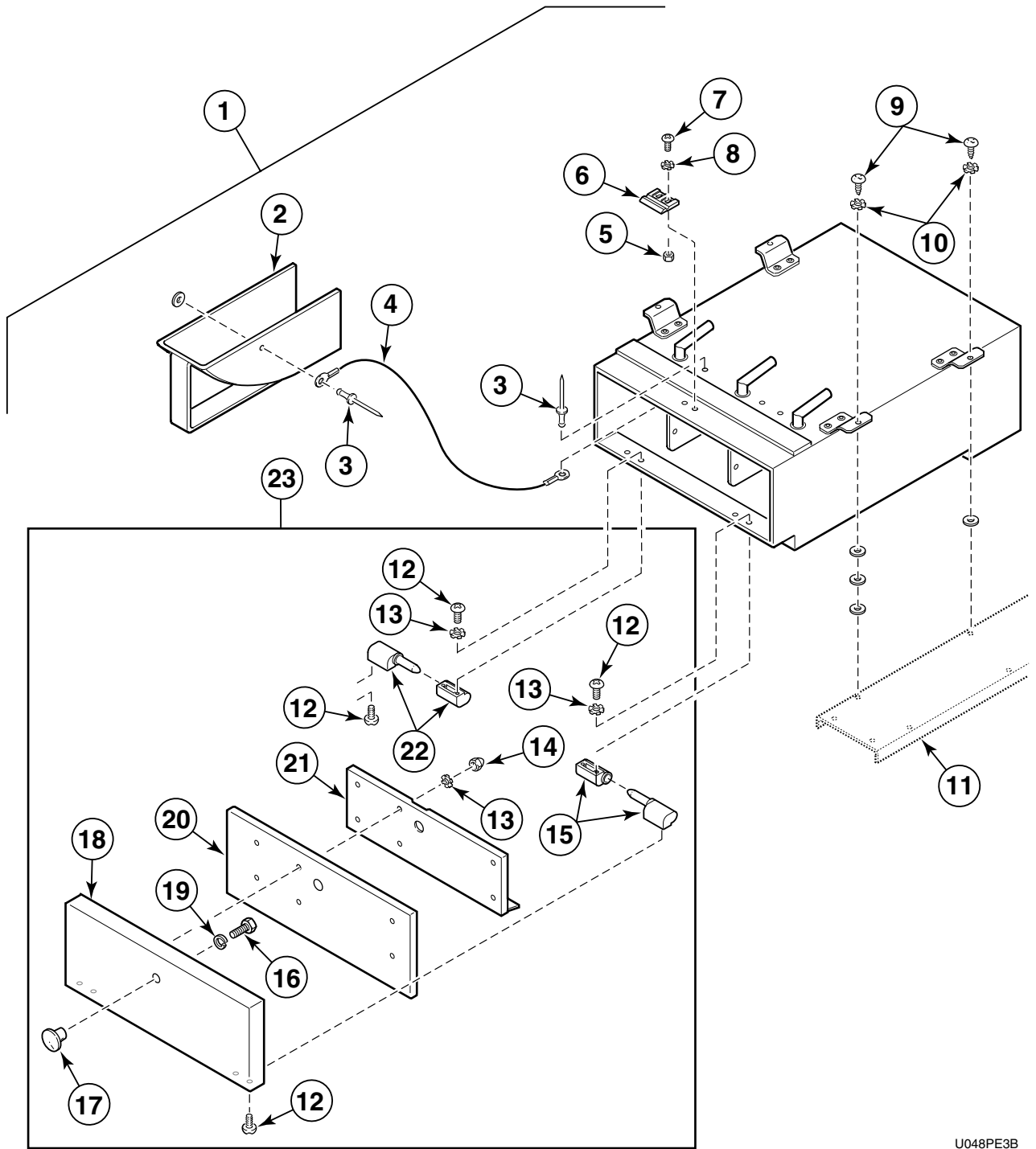
Cover Assembly with Dispenser

Use with Model Numbers 10/97 and After

REF	PART #	DESCRIPTION	COMMENTS
	F635398	Top Assembly	
1	F150305-1	Supply Dispenser Cover	
2	F170170	Supply Dispenser Top Cover Gasket	
3	F630430	Supply Dispenser Lid Clip Assy	
4	F633590	Top Cover	
5	F430231	Nut	
6	F390300	Stud	.281" x .312", 6-32
7	F635474	Support Stiffener	(2)
8	F603980	Top Cover Stiffener	
9	F431024	Fiberlock Nut	SS, 1/4-20
10	F431147	Washer	Flat, SS, 1/4, .281D x .6400
11	F190805	Lid Lock with Cam	
12	F430923	Screw	HH, SS, 1/4 x 20 x 1/2"
13	F43110	Washer	Spring Lock SST, 1/4"
14	F430416	Door Bump Bushing	

Supply Dispenser

Use with Models made Before 10/97



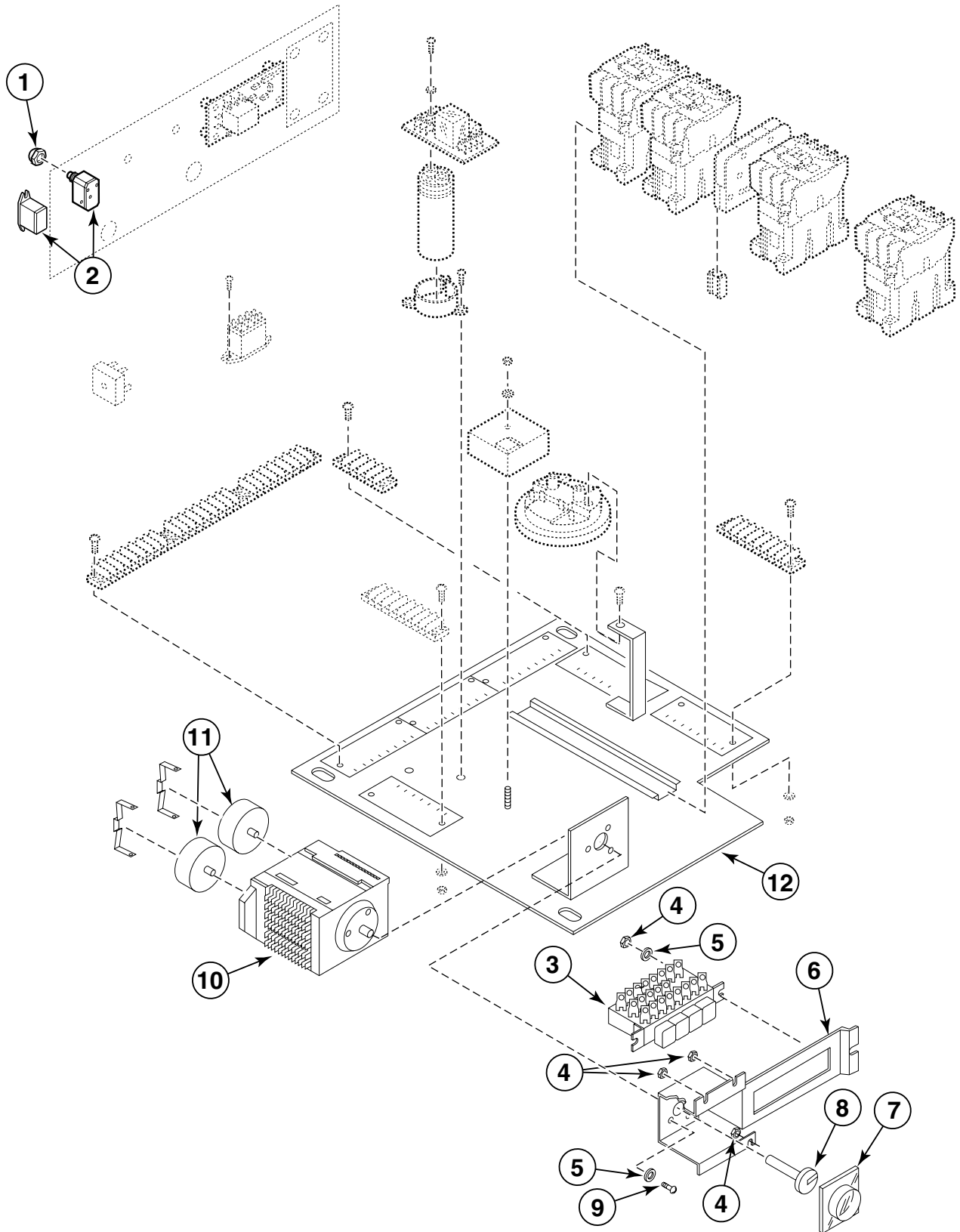
U048PE3B

Supply Dispenser

Use with Models made Before 10/97

REF	PART #	DESCRIPTION	COMMENTS
1	F608271-1	Supply Dispenser Assembly	
	F608271-2	Sub Assembly Supply Dispenser	OPL
2	F150369	Supply Cup	Large
	F150368	Supply Cup	Small
3	F431223	Rivet	
4	F150426	Supply Cup Wire Retainer	
5	F430231	Nut	
6	F432223	Supply Dispenser Lid Latch	
7	F430928	Screw	
8	F431113	Washer	Small
	F431108	Washer	Large
9	F430174	Screw	
10	F431123	Washer	
11	F608282	Supply Dispenser Mounting Bracket	
12	F432229	Screw	
13	F431106	Washer	
14	F431037	Nut	
15	F190205	Lift-off-hinge	Right
16	F430907	Screw	
17	F190101	Push-pull Knob	Black
18	F609128	Supply Dispenser Cover	Studded
19	F431137	Washer	
20	F608705	Supply Dispenser Cover Gasket	
21	F608703	Gasket Retaining Plate	
22	F190202	Lift-off-hinge	Left
23	F608704	Supply Dispenser Cover Assembly	

Control Module (Mechanical Timer)

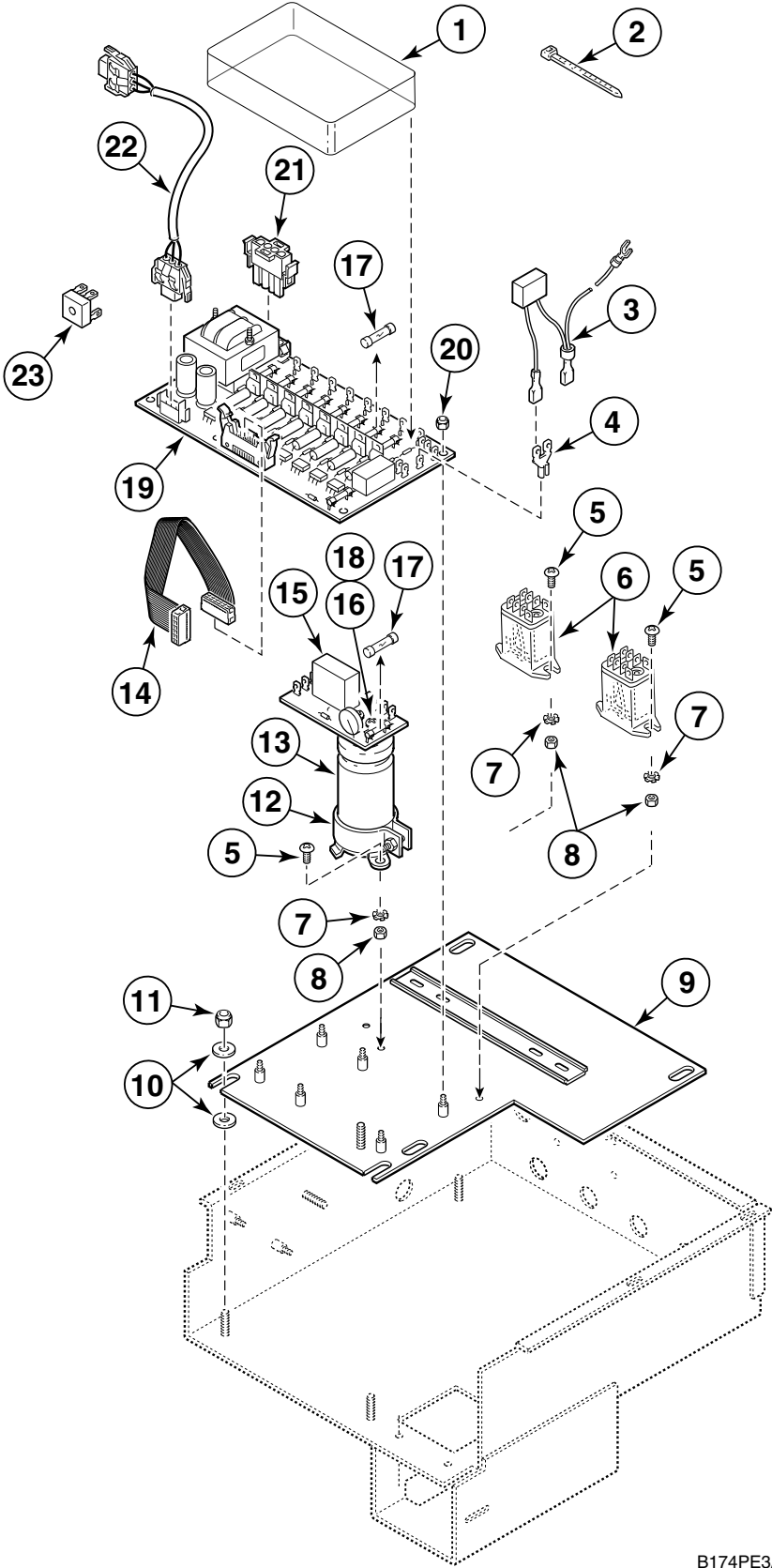


B173PE3A

Control Module (Mechanical Timer)

REF	PART #	DESCRIPTION	COMMENTS
1	F340409	Pushbutton Boot	
2	F340403	Momentary Switch	
3	F340413	Pushbutton Switch	
4	F340231	Nut	
5	F431123	Washer	
6	F607069	Bracket	
7	F150249	Cover	
8	F730525	Cycle Indicator	
9	F430948	Screw	
10	F160301	Timer	110 Volt, 50/60 Hertz
	F160304	Timer	220 Volt, 50 Hertz
11	F160538	Motor	220 Volt, 50 Hertz
	F160539	Motor	110 Volt, 60 Hertz
	F160537	Motor	220 Volt, 60 Hertz
12	F607359	Panel	

Electronic Control Module Box and Related Parts



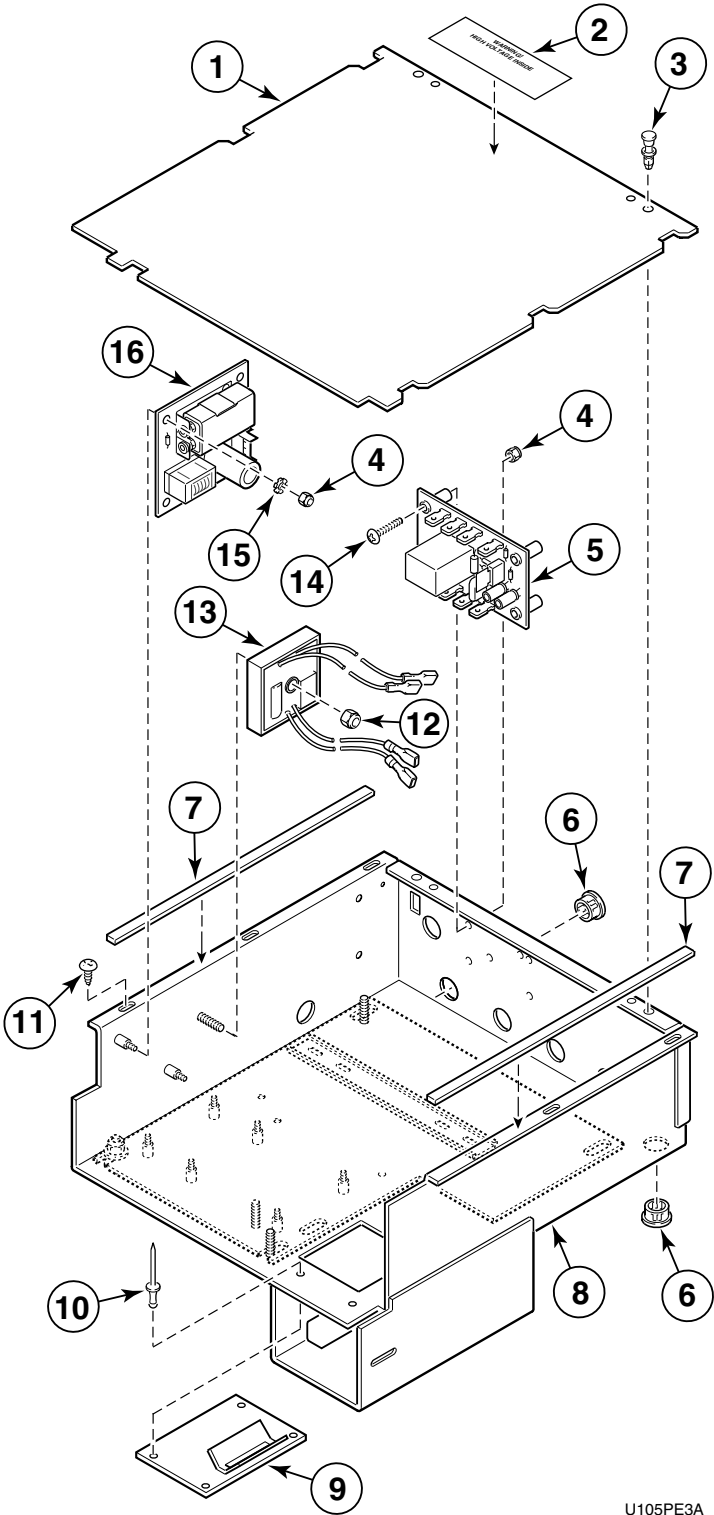
B174PE3A

Electronic Control Module Box and Related Parts

Page 1 of 3

REF	PART #	DESCRIPTION	COMMENTS
	F140247	V-Comp Ribbon Cable	26 Pin, Not Shown
	F370430-1	Door Lock Board	Not Shown; Pinstyle Lock
	F370432	Door Lock PC Board	
1	F140422	Cover	Small
	F140423	Cover	Large
2	F140605	Wire Tie	6"
3	F330217	RC Network Filter	
4	F140562	Twin Terminal Connector	
5	F430928	Screw	
6	F330227	Relay	110 Volt
	F330230	Relay	220 Volt
	M412534	Relay	24 Volt (EDC)
7	F431113	Washer	
8	F431022	Nut	
9	F607359	Control Box Tray	
10	F431101	Washer	
11	F430215	Nut	
12	F140612	Capacitor Mounting Clamp Kit	
13	F370225	Capacitor	
14	F140216	Wire Harness	
15	F609335	Door Interlock Board	110 Volt
	F370432	Door Interlock Board	24 Volt
	F609336	Door Interlock Board	220 Volt
16	F431108	External Tooth Washer	
17	F350110	Fuse	1 Amp, used on F609335 only
18	F430904	Screw	
19	F370519	Solid State Relay Board	
	F370433	Output Relay	EDC 24 Volt
	F370314	Output Relay	VNV
20	F430231	Nut	
21	F603538	Wire Harness Plug	
22	F140249	Wire Harness	
23	F370310	Bridge Rectifier	OPL

Electronic Control Module Box and Related Parts



U105PE3A

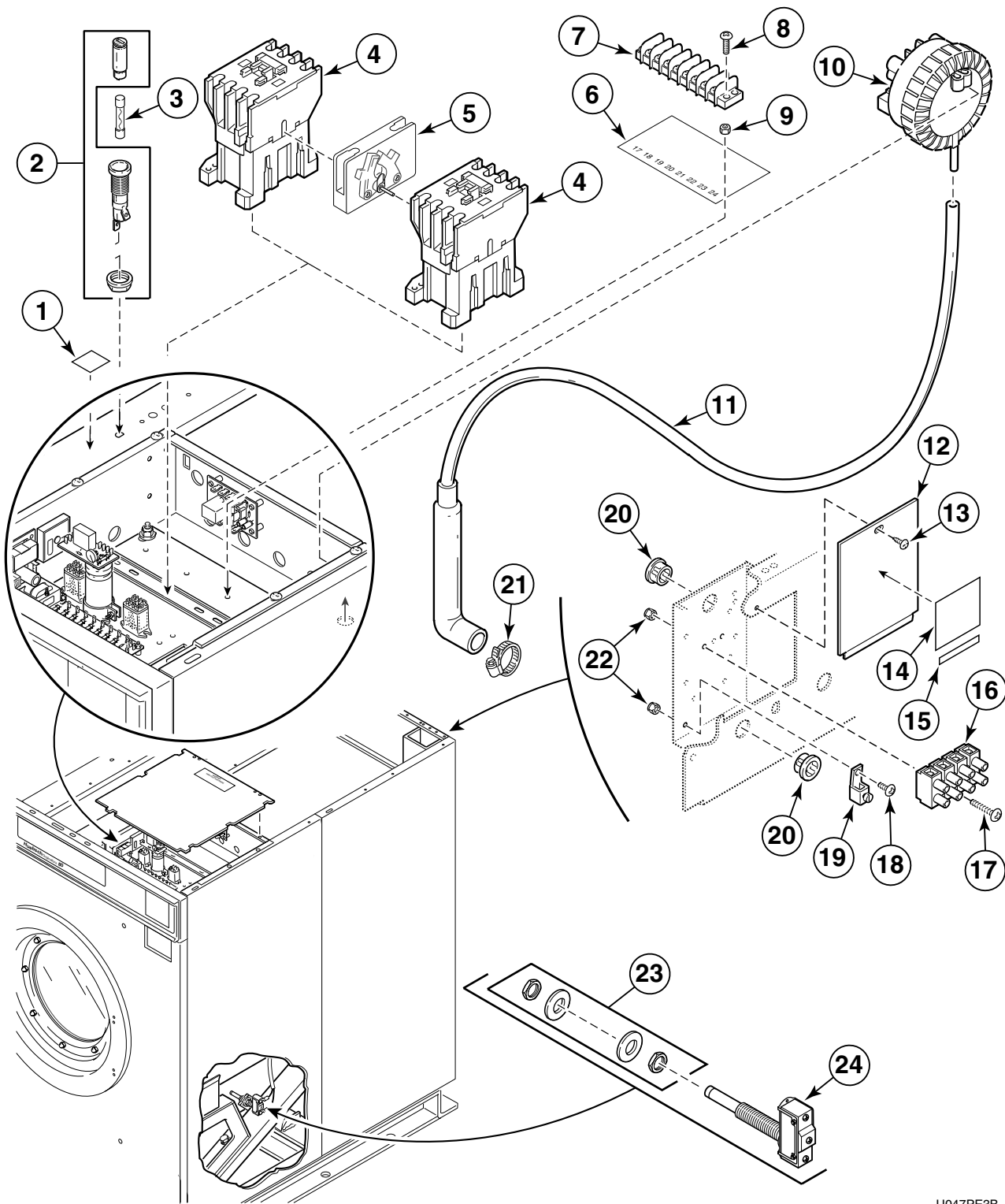
Electronic Control Module Box and Related Parts

Page 2 of 3

REF	PART #	DESCRIPTION	COMMENTS
1	F602961	Control Module Box Cover	
2	F230202	Warning Sticker	High Voltage
3	F432005	Attaching Pin	Top
	F170607	Attaching Pin Grommet	Bottom
	F430174	Screw	New Models
4	F430231	Nut	
5	F370437	Time Delay Relay Board	Not used on VNV and VCV
6	F140909	Bushing	
7	F170128	Foam Rubber Gasket	
8	F607529	Control Module Box, Subassembly	
9	F607535	Funnel Plate	
10	F431210	Rivet	
11	F430174	Screw	
12	F430215	Nut	
13	F330335	Solid State Timer	Coin Only
14	F430910	Screw	
15	F431113	Washer	
16	F370529	Battery Backup Board	VC, VN, PN, SN

Electronic Control Module Box and Related Parts

Page 3 of 3



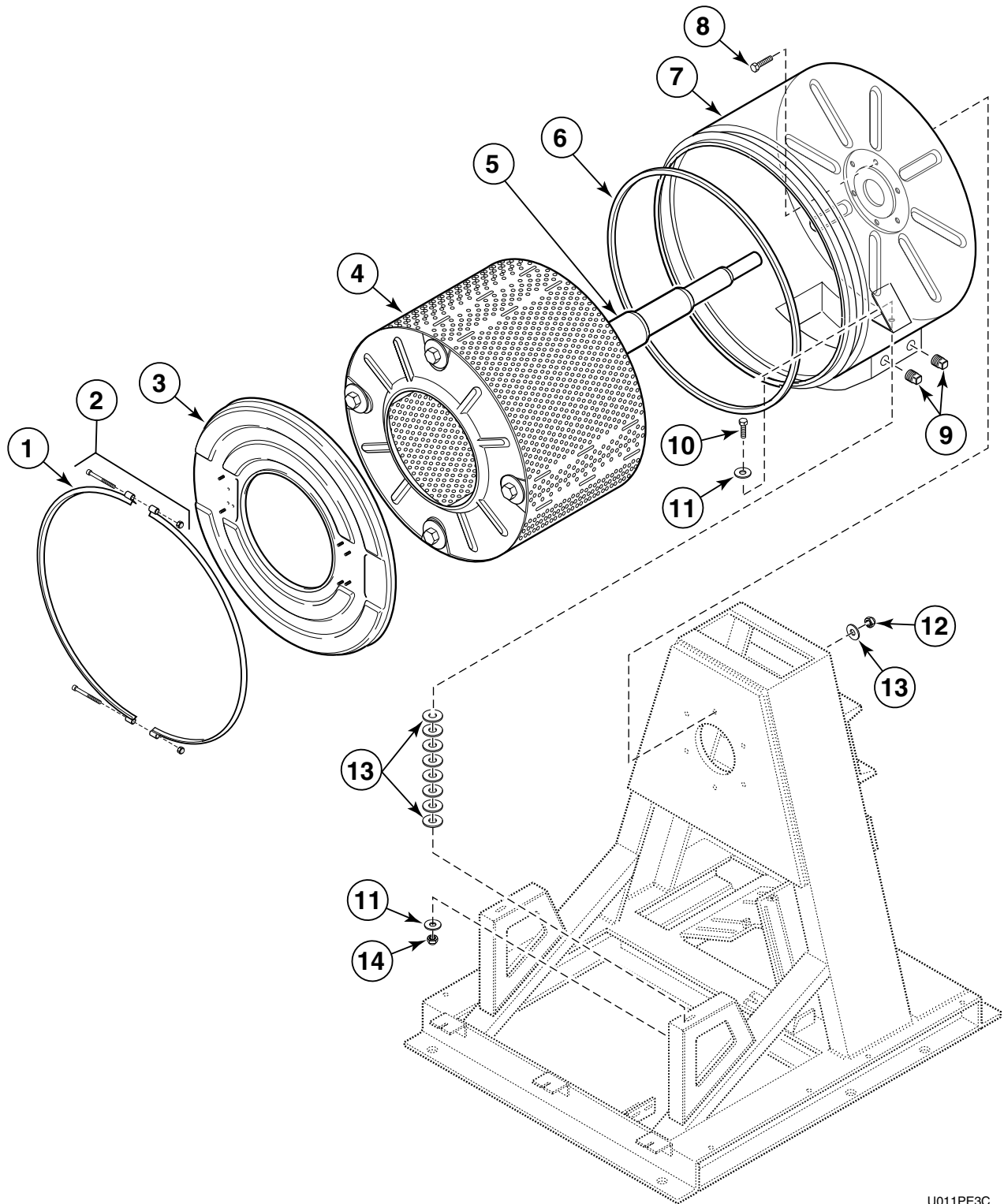
U047PE3B

Electronic Control Module Box and Related Parts

Page 3 of 3

REF	PART #	DESCRIPTION	COMMENTS
	F290115	Thermostat	Variable speed; Manual Reset Models
	F370815	Inverter	Not Shown
	F360153	Control Transformer	EDC; Not Shown
	F360124	Control Transformer	150VA-120SEC, Not Shown
	F330146	Contactor for Electric Heat	
	F330145	Auxillary Contactor	
1	F230626	Sticker	2 Amp fuse
2	F350304	Fuse Holder	
3	F350104	Fuse	2 Amp
4	F330177	Contactor	120 Volt, 24 Amp, A24 ND31
	F330179	Contactor	220 Volt
	F330181	Contactor	30 Amp, 24 Volt Coil
	F330176	Contactor	24 Amp, 24 Volt Coil
5	F330152	Interlock Mechanism	
6	F140912	Terminal Strip Insulator Decal	(1-8)
	F140913	Terminal Strip Insulator Decal	(9-16)
	F140914	Terminal Strip Insulator Decal	(17-24)
	F140915	Terminal Strip Insulator Decal	(25-32)
	F140916	Terminal Strip Insulator Decal	(33-40)
7	F140738	Terminal Strip	
8	F430916	Screw	
9	F431022	Nut	
10	F340322	Water Level Switch	
	F340313	3 Water Level Pressure Switch	
11	F200142	Pressure Hose / Air Trap Hose	
12	F602533	Input Power Junction Box Cover	
13	F430174	Screw	
14	F230206	Decal	High Voltage
15	F230207	Decal	
16	F140755	Terminal Block	4-wire
17	F430938	Screw	
18	F430928	Screw	
19	F140734	Terminal Ground Lug	
20	F140909	Bushing	
21	F200222	Clamp	#12
22	F430231	Nut	
23	F340913	Out-of-Balance Switch Hardware	
24	F340901	Out-of-Balance Swtich	

Basket Assembly

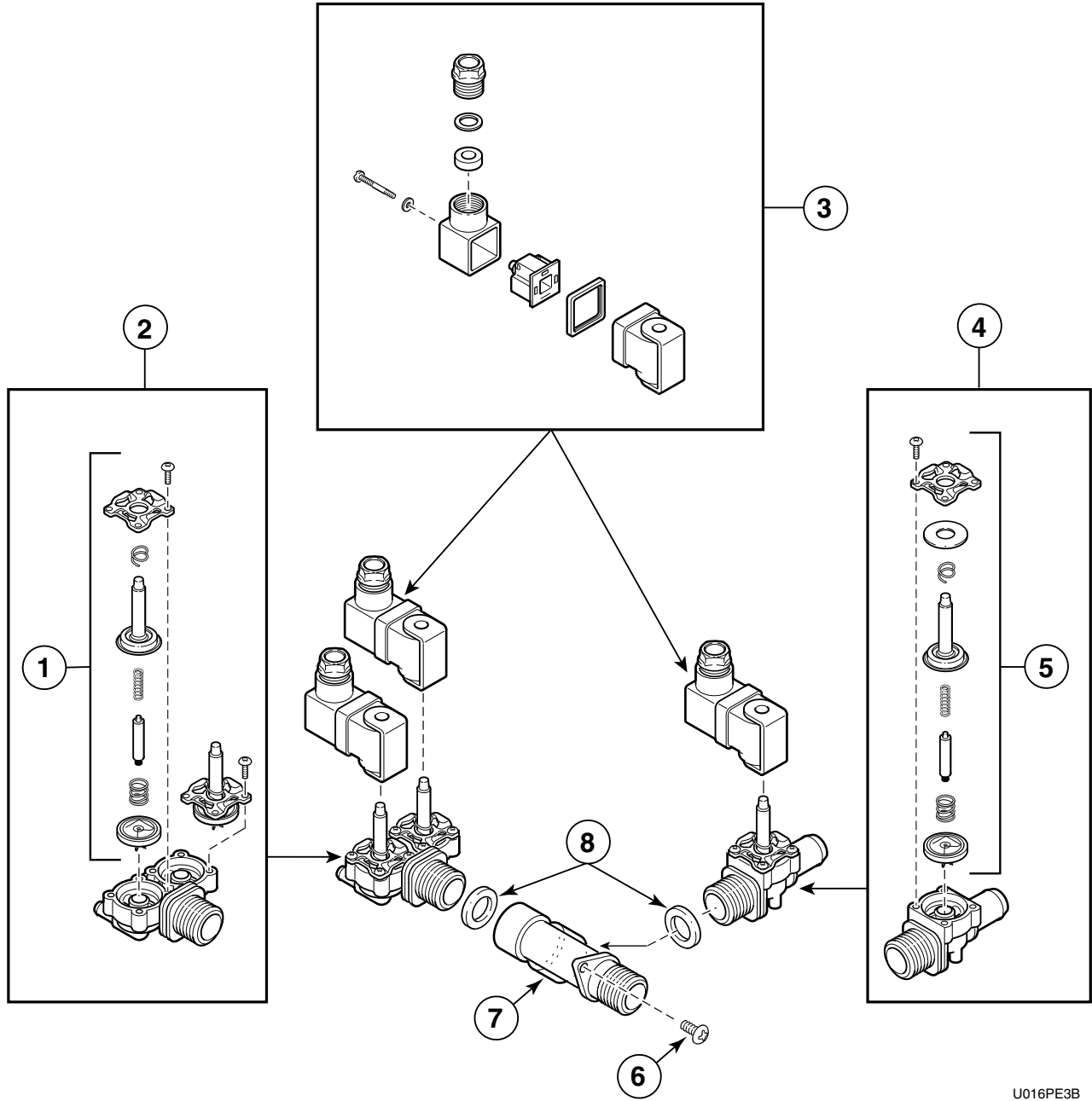


U011PE3C

Basket Assembly

REF	PART #	DESCRIPTION	COMMENTS
	F603959	Heat Shell	Not Shown
	F360205	Heat Element	Not Shown, 240 Volt
1	F608790	Shell Band Assembly	Includes item #2
2	F791001	Band Fastener Kit	
3	F603988	Shell Front Assembly	UC80
4	F603949	Basket and Shaft Assembly	Includes item #5
5	F603951	Basket Sleeve	
6	F170152	Shell Band Gasket	Includes adhesive tape
7	F634696	Standard Shell Assembly	
8	F430947	Bolt	
9	F421507	Plug	
10	F430144	Bolt	
11	F430301	Washer	3/8, 7/16
12	F430201	Fiberlock Nut	5/8 GR8
13	F430325	Flat Washer	
14	F430218	Fiberlock Nut	3/8

Water Inlet Valves

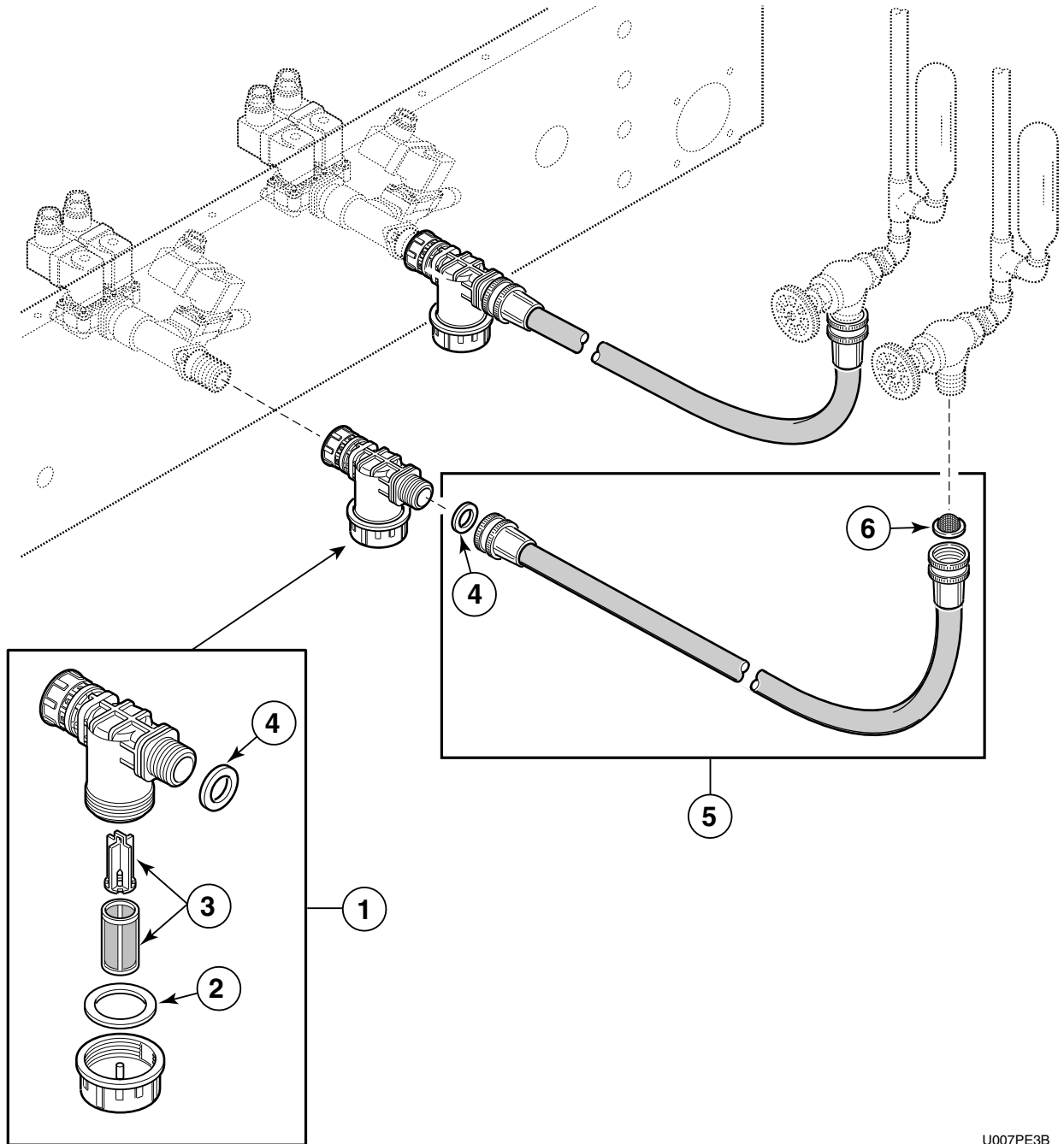


U016PE3B

Water Inlet Valves

REF	PART #	DESCRIPTION	COMMENTS
1	F380938	Valve Repair Kit, 10 mm	G581P3
2	F380790	Two-way Valve - Mueller	24 Volt; G-thread
	F380952	Two-way Valve - Mueller	110 Volt
	F380776	Two-way Valve - Mueller	220 Volt
3	F380900	Coil	110 Volt
	F380917	Coil - Mueller	220 Volt
	F380983	Coil - Mueller	24 Volt
4	F380760	One-way Valve	220 Volt
	F380953	One-way Valve	110 Volt
	F381717	One-way Valve	EC, 24 Volt; G-thread
5	F380939	Valve Repair Kit - Mueller	13 mm
6	F430925	Screw	
7	F150246	Water Inlet Connector	Hose threads
	F150247	Water Inlet Connector	Threads
8	F170213	Washer	

Optional External Water Filters and Water Supply Hoses

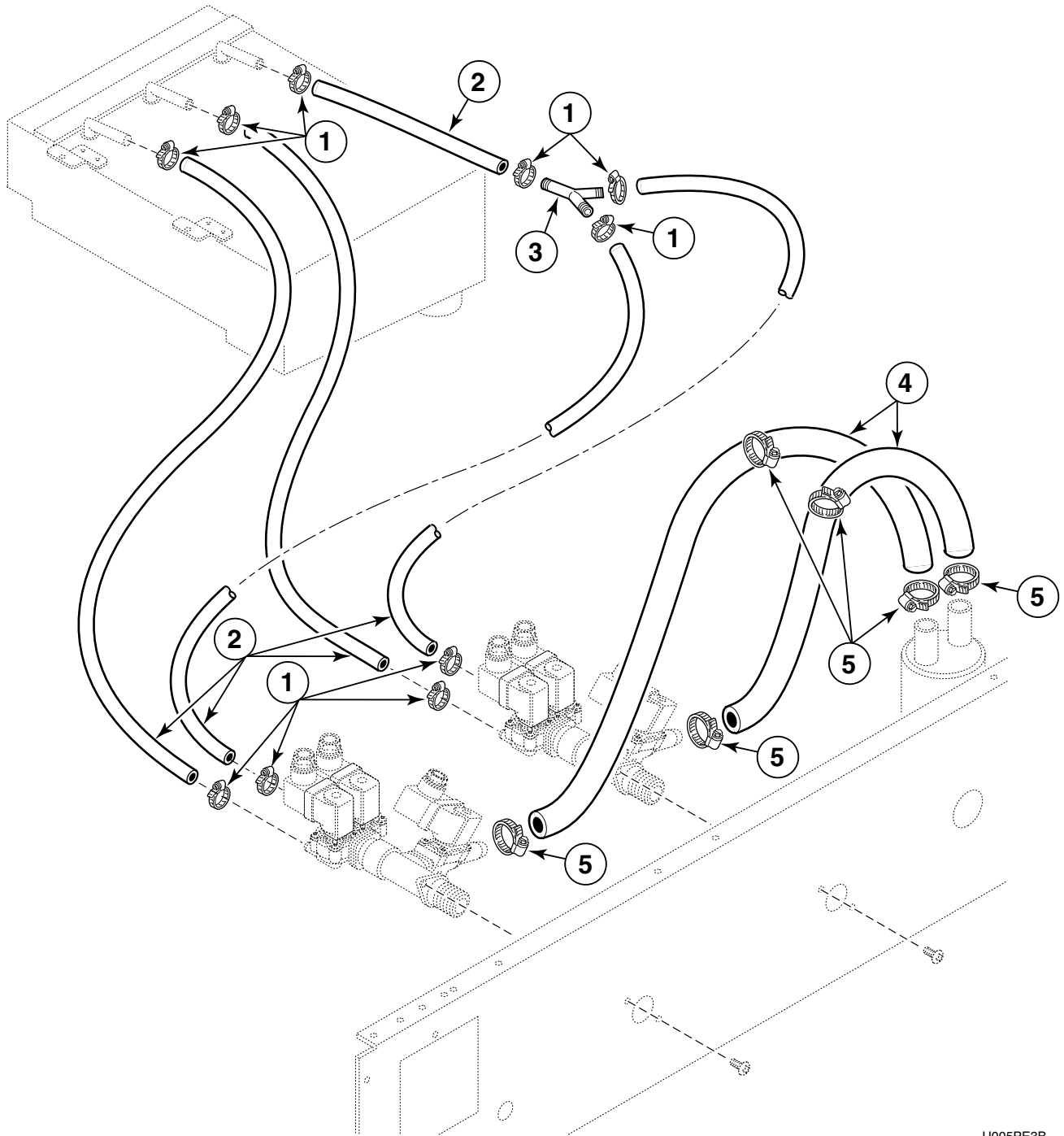


U007PE3B

Optional External Water Filters and Water Supply Hoses

REF	PART #	DESCRIPTION	COMMENTS
	F421963	Adapter for G-Thread	
	F421908	3/4" to 1/2" Reducer	
	F420500	1/2" Elbow	Not Shown
	F421930	Nipple	Not Shown
1	F270306	Filter Assembly	Hose Thread, .11 mm mesh
	F270305	Filter Assembly	Metric Thread, .11 mm mesh
2	F270407	Washer	
3	F270406	Filter Element	.11 mm
	F270405	Filter Element	.25 mm
4	F200500	Washer	
5	F200164	Water Supply Hose	Includes items #4 and #6
	F200166	Water Supply Hose	Metric thread
6	F270300	Filter Screen	

Inlet Valve Hoses

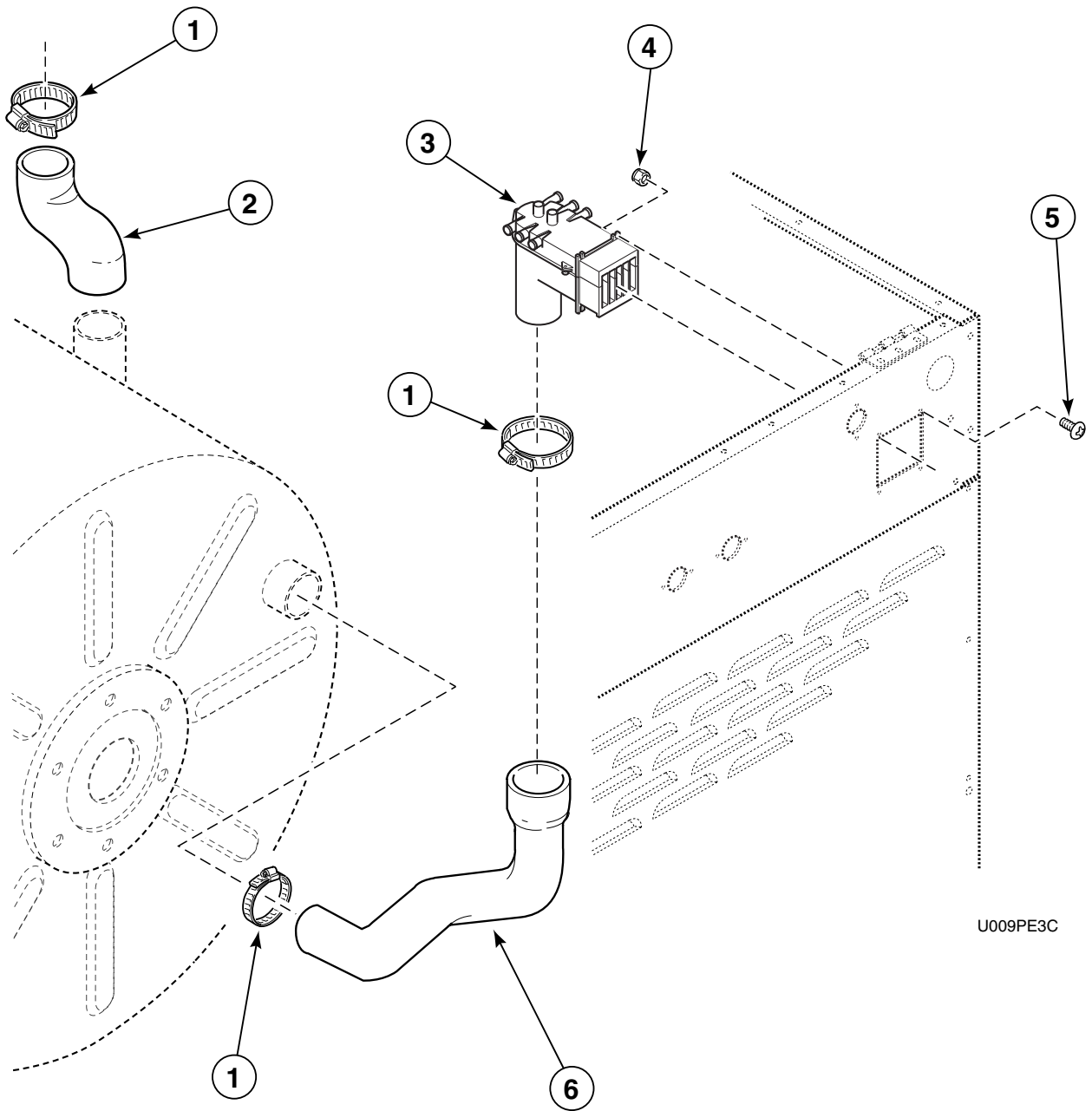


U005PE3B

Inlet Valve Hoses

REF	PART #	DESCRIPTION	COMMENTS
1	F200207	Clamp	#8
2	F200108	Hose	Sold per foot
3	F422808	'Y' Connection	
4	F200128	Hose	Sold per foot
5	F200222	Clamp	#12

Vent Hoses

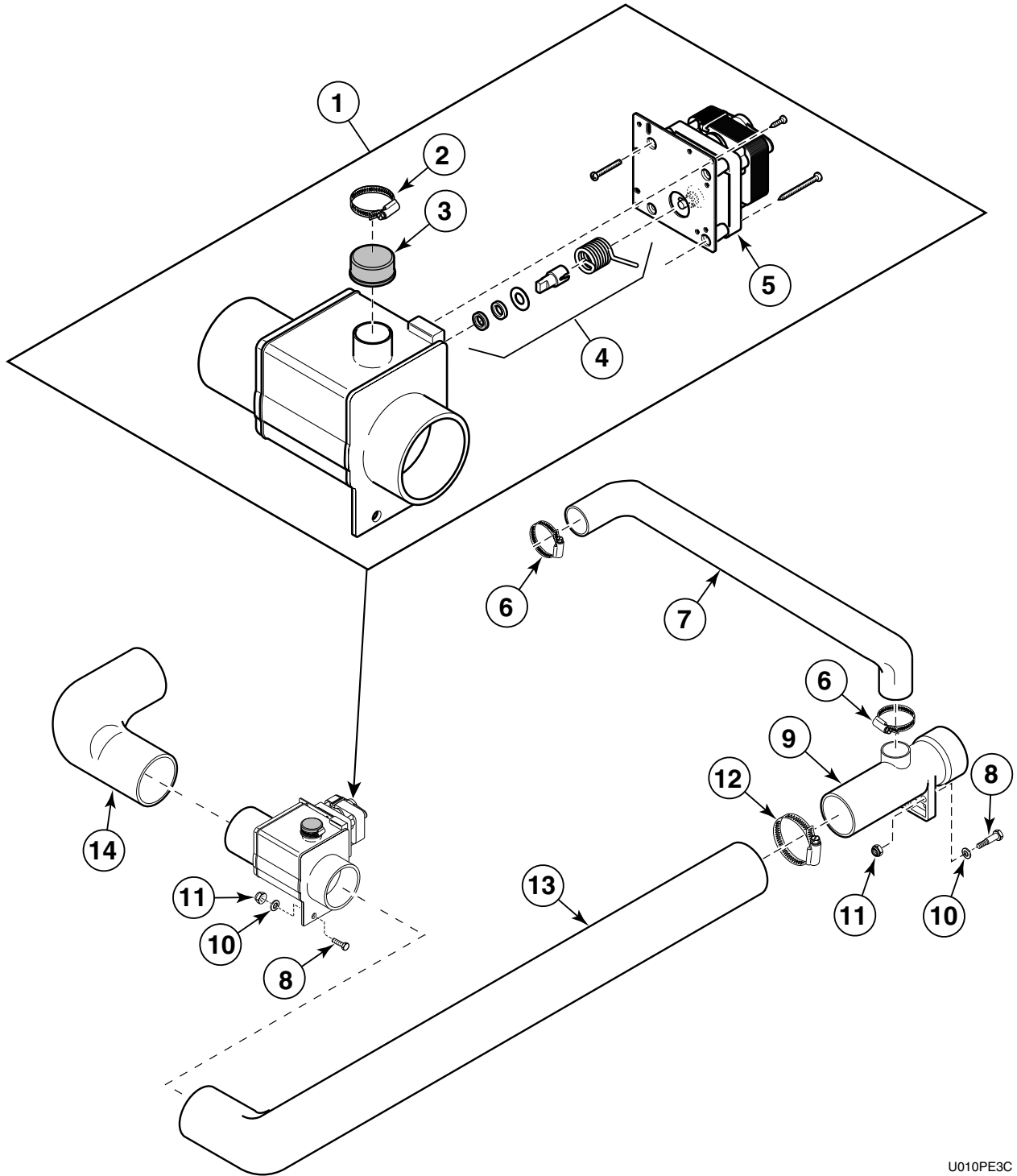


U009PE3C

Vent Hoses

REF	PART #	DESCRIPTION	COMMENTS
1	F200213	Clamp	#40
2	F150413	Siphon Top Fill Hose	
3	F608347	Vacuum Breaker	
4	F430231	Nut	
5	F430928	Screw	
6	F150492	Rear Fill Hose	

Drain System

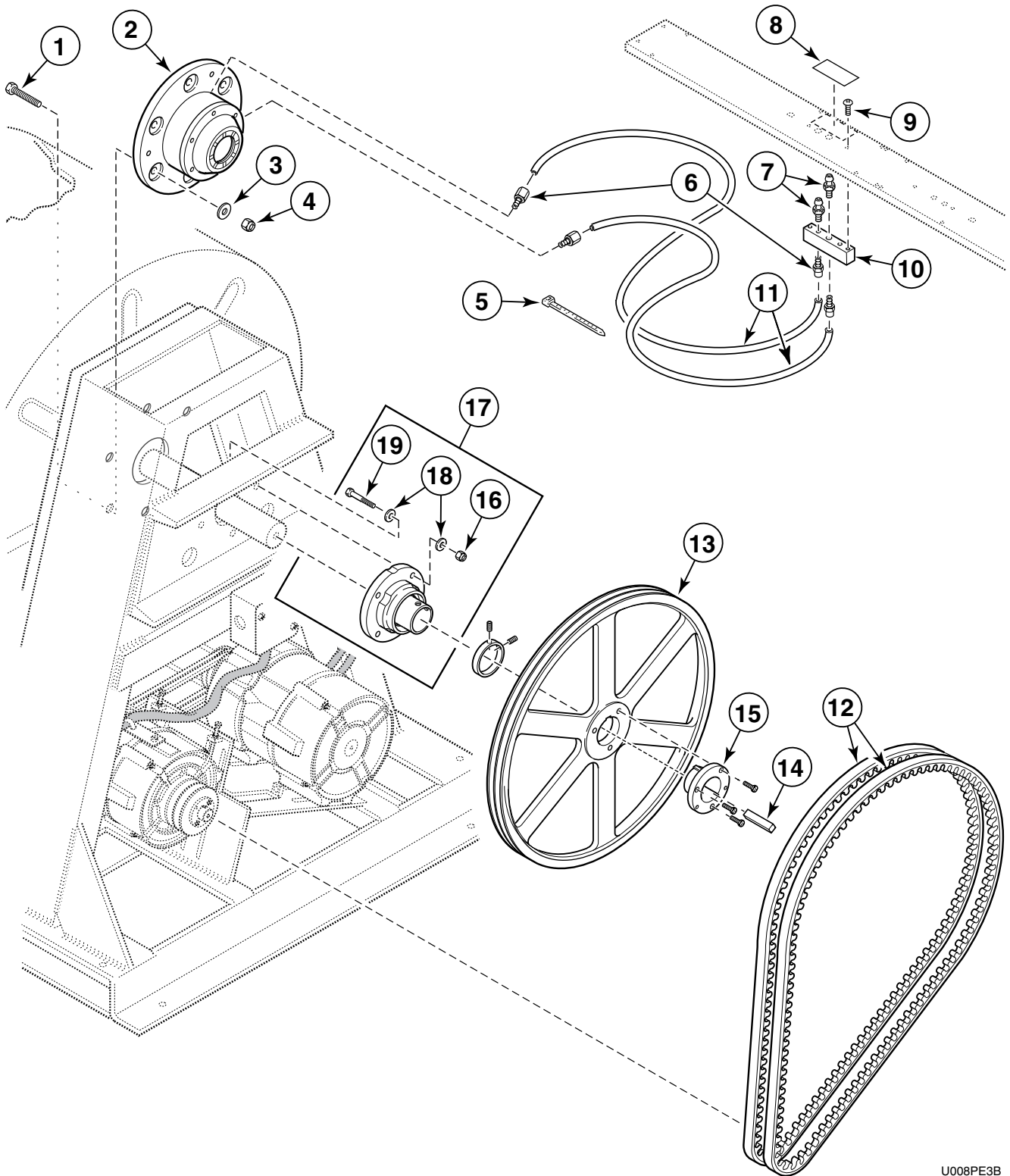


U010PE3C

Drain System

REF	PART #	DESCRIPTION	COMMENTS
1	F380628	Drain Valve	120 Volt
	F380629	Drain Valve	220 Volt
2	F200215	Clamp	#28
3	F150352	Overflow Plug	1-3/8"
4	F380918	Main Drive Kit	
5	F380943	Motor and Gear Box	120 Volt, Keyed Shaft
	F380944	Motor and Gear Box	220 Volt, Keyed Shaft
6	F200213	Clamp	#40
7	F150317	Overflow Hose	
8	F430103	Bolt	
9	F150398	Drain Tee	
10	F430317	Washer	
11	F430215	Nut	
12	F200219	Clamp	#56
13	F150399	Drain Hose	Rear
14	F150400	Drain Hose	Front

Front and Rear Bearing Assemblies, Basket Pulley and Grease Manifold

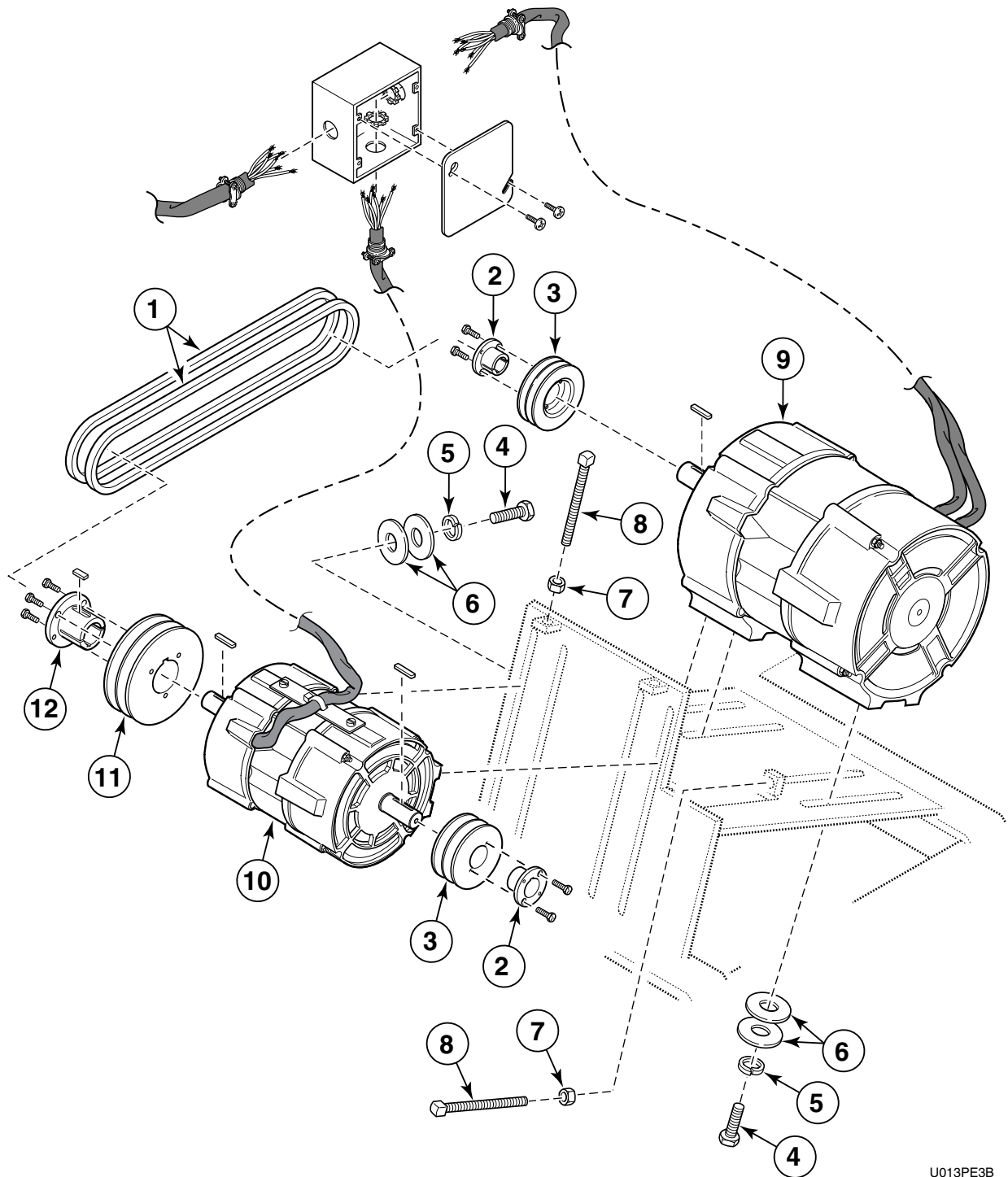


U008PE3B

Front and Rear Bearing Assemblies, Basket Pulley and Grease Manifold

REF	PART #	DESCRIPTION	COMMENTS
	F745015-1	Front Bearing Assembly Kit	
	F280211	Motor Pulley Bushing	Var. Spd, Not Shown
	F280289	Drive Pulley	3HV31, Not Shown
	F280290	Basket Pulley Bushing	Not Shown
1	F430947	Bolt	
2	F608813	Bearing Front Assembly	
3	F430325	Washer	
4	F430201	Nut	
5	F140605	Tie	Nyl Cable 6"
6	F422101	Grease Tube Fitting	
7	F190701	Grease Fitting	
8	F231078	Sticker	
9	F430925	Screw	
10	F320326	Grease Manifold	
11	F200190	Grease Tubing	Sold per foot
12	F280359	Belt	Motor to Basket
	F280338	Belt	Short BP-43 Motor to Motor
	F280367	Belt	3Vx1120 Variable Speed x3
13	F280256	Basket Pulley	
	F150268	Basket Pulley	33V 3350 Variable Speed
14	F608824-1	Key	
15	F280267	Bushing	Includes screws
16	F430239	Locknut	
17	F745016-1	Rear Bearing Kit	Includes items #16, 18 and 19
18	F430339	Washer	
19	F430185	Bolt	

Motor Assemblies



U013PE3B

Motor Assemblies

REF	PART #	DESCRIPTION	COMMENTS
	F220236	Magtk Motor	Variable Speed, SHP, Not Shown
1	F280338	Belt	BP-43
2	F280212	Pulley Bushing	Includes screws and key
3	F280134	Extract Pulley	Outside, 60 Hertz, 2BK40H
	F280150	Extract Pulley	Outside, 50 Hertz, 2BK36H
4	F430109	Bolt	
5	F430305	Lockwasher	
6	F430300	Washer	Large
7	F430205	Nut	
8	F430509	Bolt	SQHD 3/8 x 4
9	F220310	Wash Motor	208-240 Volt, 60 Hertz
	F220311	Wash Motor	380-480 Volt, 60 Hertz and 50 Hertz
10	F220308	Extract Motor	208-240 Volt, 60 Hertz
	F220309	Extract Motor	380-480 Volt, 60 Hertz
11	F280152	Extract Pulley	Inside, 50/60 Hertz, 2TB52
12	F280193	Bushing	Includes screws and key

Parts Index

A

Adapter for G-Thread F421963	41
Adhesive Tape F410212P	13
Air Filter Slide F633321	15
Amber Light F350411	9
Attaching Pin F170607	33
F432005	33
Auxillary Contactor F330145	35

B

Band Fastener Kit F791001	37
Basket and Shaft Assembly F603949	37
Basket Pulley F150268	49
F280256	49
Basket Pulley Bushing F280290	49
Basket Sleeve F603951	37
Battery Backup Board F370529	33
Bearing Front Assembly F608813	49
Belt F280338	49, 51
F280339	49
F280367	49
Blocking Coil F160461	7
F160462	7
F160466	7
F160467	7
Bolt F430103	47
F430108	13
F430109	13, 51
F430144	37
F430185	49
F430509	51
F430916	17
F430935	11
F430947	37, 49
Bracket F607069	29
Bridge Rectifier F370310	31
Bushing F140909	33, 35
F280193	51
F280267	49

Button Sticker F230662	17
---------------------------------	----

C

Cap Nut F431026	17
Capacitor F370225	31
Capacitor Mounting Clamp Kit F140612	31
Catch F450261	21
Clamp F200207	43
F200213	45, 47
F200215	47
F200219	47
F200222	35, 43
Clip F601515	9
Coil F380900	39
F380917	39
F380983	39
Coin Counter Relay Board F370410	7
Coin Drop F160684	5
F608209-1	5
Coin Meter F160667	7
F160668	7
F160684	7
F160685	7
F160688	7
F160692	7
F160693	7
F160694	7
F160698	7
F160699	7
F160704	7
F160705	7
F160706	7
F160707	7
F160708	7
F160709	7
F160711	7
F609179-2	7
F609179-4	7
F609179-5	7
F650030	7
Coin Meter Assembly F608209-1	7
Coin Meter Kit F775302-01	7
F775302-02	7
F775303-03	7
F775304-01	7

External Tooth Washer	
F431108.....	31
Extract Motor	
F220308.....	51
F220309.....	51
Extract Pulley	
F280134.....	51
F280150.....	51
F280152.....	51

F

Fiberlock Nut	
F431024.....	25
430215.....	19
430220.....	19
430225.....	19
430232.....	19
Filter Assembly	
F270305.....	41
F270306.....	41
Filter Element	
F270405.....	41
F270406.....	41
Filter Screen	
F270300.....	41
Flange Relay	
F330227.....	9
F330230.....	9
Foam Filter Mesh	
F633508.....	15
Foam Rubber Gasket	
F170128.....	33
Frame	
F633673.....	13
Front Bearing Assembly Kit	
F745015-1.....	49
Front Inner Panel Assembly	
F603989-4.....	11
Front Inner Panel Guard	
F170401.....	11
Front Panel Gasket	
F170402.....	11
Front Panel Kit	
F757460.....	11
F757465.....	11
F757470.....	11
F757475.....	11
F757476.....	11
F757477.....	11
F757479.....	11
F757480.....	11
F757481.....	11
F757483.....	11
Funnel Plate	
F607535.....	33
Fuse	
F350104.....	35
F350110.....	31
F350127.....	7
Fuse Holder	
F350304.....	35

G

Galvanized Rear Panel	
F603976.....	13
Gasket Retaining Plate	
F608703.....	27
Glass Retainer	
F320102.....	17
Grease Fitting	
F190701.....	49
Grease Manifold	
F320326.....	49
Grease Tube Fitting	
F422101.....	49
Grease Tubing	
F200190.....	49
Ground Wire	
F140160.....	5
Guide Lug	
F390300.....	13

H

Heat Element	
F360205.....	37
Heat Shell	
F603959.....	37
Hi-collar Lockwasher	
F431100.....	17
Hinge Retainer	
F150226.....	17
Hinge Rod	
F602813-3.....	17
Hose	
F200108.....	43
F200128.....	43

I

Inner Front Panel ECV	
F631691-1.....	11
Input Power Junction Box Cover	
F602533.....	35
Interlock Mechanism	
F330152.....	35
Inverter	
F370815.....	35

K

Key	
F160562.....	13
F190805-1.....	13
F608824-1.....	49

L

Latch Arm	
F150229.....	17

Lever	
F605381	21
Lid Lock with Cam	
F190805	25
Lift-off-hinge	
F190202	27
F190205	27
Linkage	
F150455	21
Lock	
F190802	13
F190805	13
Locknut	
F430239	49
Lockwasher	
F430305	51
F431100	23

M

Magnet	
F340703	17
Magnetic Switch	
F340702	11
Magtk Motor	
F220236	51
Main Drive Kit	
F380918	47
Microswitch - Door Lock	
340919	19
Momentary Switch	
F340403	29
Motor	
F160537	29
F160538	29
F160539	29
Motor and Gear Box	
F380943	47
F380944	47
Motor Pulley Bushing	
F280211	49
Mounting Bracket	
F608169	7

N

Nipple	
F421930	41
Nut	
F340231	29
F430201	37, 49
F430205	13, 51
F430215	11, 13, 17, 23, 31, 33, 47
F430218	37
F430225	21, 23
F430231	5, 15, 21, 23, 25, 27, 31, 33, 35, 45
F430232	9, 17, 21, 23
F431017	21, 23
F431022	17, 31, 35
F431037	27
F431041	17
Nylon Washer	
F431907	17

O

One-way Valve	
F380760	39
F380953	39
F381717	39
Optic Switch Kit	
F775801-01	5
F775801-02	5
775801-01	7
775801-02	7
Out-of-Balance Switch Hardware	
F340913	35
Out-of-Balance Swtich	
F340901	35
Output Relay	
F370314	31
F370433	31
Overflow Hose	
F150317	47
Overflow Plug	
F150352	47
Overlay	
F231016	11
F231017	11
F231019	11
F231155	11
F231165	11
F231188	11
F231193	11
F231389	11
F231404	11
F231471	11
F231493	11
F231494	11
F231554	11
F231559	11

P

Panel	
F607359	29
PC Board Standoff	
F432001	7
Pin	
F431222	17
F431231	21
Plate	
F633063	9
F633087	9
F633538	9
Plate Subassembly	
F630887	21
Plug	
F421507	37
Power Input Wiring Harness	
F607322-2	7
Power Supply Board	
F370411-1	7
F370411-2	7
Power Supply Board Cable	
F140202	7
Pressure Hose	
F200142	35

Pulley Bushing F280212	51
Push Button Rod F320300	17
Push Button Stop F602540	23
Pushbutton Boot F340409	29
Pushbutton Switch F340413	29
Push-pull Knob F190101	27

R

RC Network Filter F330217	7, 31
Rear Bearing Kit F745016-1	49
Rear Fill Hose F150492	45
Reducer F421908	41
Relay F330227	31
F330230	31
M412534	31
Retainer F310205	21
Retro Fit Kit F798721	5
Ribbon Connector F140215	5
F140216	5
Rivet F430418	11
F431210	33
F431217	11
F431223	27

S

Screw F430174	11, 13, 23, 27, 33, 35
F430532	17
F430904	31
F430907	27
F430910	15, 33
F430916	35
F430921	23
F430923	25
F430925	11, 13, 39, 49
F430928	27, 31, 35, 45
F430938	35
F430948	29
F430968	11
F430976	17
F430977	23
F430978	23
F430983	19
F432229	27
430174	19
430925	19
430977	19

Security Screw F432257	17
Service Opening Guard F170402	11
Shell Band Assembly F608790	37
Shell Band Gasket F170152	37
Shell Front Assembly F603988	37
Shell Supports F603947	13
Shield F320200	23
Shim F602679	17
F603185	23
Shoulder Washer F431903	23
431903	19
Side Panel F603969	13
Siphon Top Fill Hose F150413	45
Solenoid F300124	21
Solenoid Door Release 300112	19
300123	19
Solid State Relay Board F370519	31
Solid State Timer F330335	33
Spacer F430977	21
F431901	21, 23
431901	19
Splash Door Lock Shield 320200	19
Spring F310137	21
F310710	21
Spring Torsion Door Lock 310110	19
S-Series Computer F370555-01	5
Standard Shell Assembly F634696	37
Sticker F230626	35
F231078	49
Stop Pushbutton 605382	19
Stud F390300	25
Studded Door F608782-1	17
F608782-2	17
Supply Cup F150368	27
F150369	27
Supply Cup Wire Retainer F150426	27
Supply Dispenser Assembly F608271-1	27

Supply Dispenser Cover	
F150305-1	25
F609128	27
Supply Dispenser Cover Assembly	
F608704	27
Supply Dispenser Cover Gasket	
F608705	27
Supply Dispenser Lid Clip Assy	
F630430	25
Supply Dispenser Lid Latch	
F432223	27
Supply Dispenser Mounting Bracket	
F608282	27
Supply Dispenser Sticker	
F231045	13
Supply Dispenser Sub Assembly	
F608271-2	27
Supply Dispenser Top Cover Gasket	
F170170	25
Support Stiffener	
F635474	25
Switch	
F340200	21
F340411	9
F340412	9

T

Take-Apart Hinge	
F190203	13
Terminal Block	
F140755	35
Terminal Ground Lug	
F140734	35
Terminal Strip	
F140738	35
F140916	7
Terminal Strip Insulator Decal	
F140912	35
F140913	35
F140914	35
F140915	35
F140916	35
Thermostat	
F290115	35
Tie	
F140605	49
Time Delay Relay Board	
F370437	33
Timer	
F160301	29
F160304	29
Top Assembly	
F635398	25
Top Brace	
F603972	13
Top Cover	
F633590	25
Top Cover Assembly	
F608791	13
F633923	13
Top Cover Stiffener	
F603980	13, 25

Twin Terminal Connector	
F140562	31
Two-way Valve	
F380776	39
F380790	39
F380952	39

V

Vacuum Breaker	
F608347	45
Valve Panel	
F608797	13
Valve Repair Kit	
F380938	39
F380939	39
V-Comp Ribbon Cable	
F140247	31
Velcro Strip	
F140639	15

W

Warning Sticker	
F230202	33
Wash Motor	
F220310	51
F220311	51
Washer	
F170213	39
F200500	41
F270407	41
F430300	51
F430301	13, 37
F430311	9
F430317	13, 47
F430325	37, 49
F430338	11
F430339	49
F43110	25
F431101	31
F431106	27
F431108	27
F431113	17, 27, 31, 33
F431123	21, 23, 27, 29
F431137	27
F431147	25
F431902	21, 23
431100	19
431123	19
431902	19
Water Inlet Connector	
F150246	39
F150247	39
Water Level Switch	
F340313	35
F340322	35
Water Supply Hose	
F200164	41
F200166	41
Wire Harness	
F140216	31
F140249	31

Wire Harness Plug	
F603538.....	31
Wire Tie	
F140605.....	31

Y

'Y' Connection	
F422808.....	43