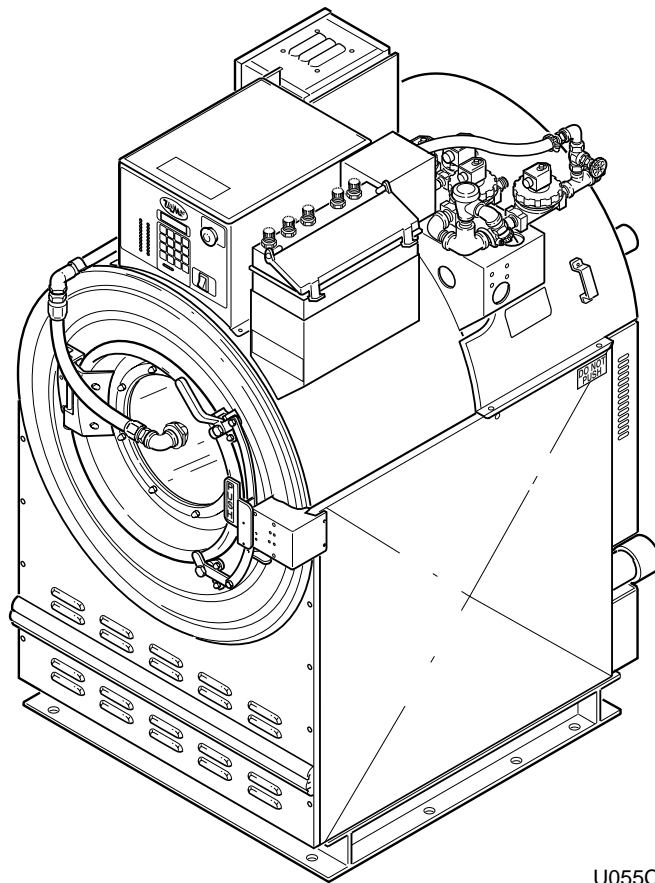


# Washer-Extractors

Pocket Hardmount  
See Page 3 for Model Numbers



U055C

# Table of Contents

Title	Page
Parts Ordering Information .....	2
Nameplate Location .....	2
Model Identification .....	3
Control Module Assembly .....	4
Control Module Assembly .....	6
Control Module Assembly .....	8
Control Module Assembly .....	10
Control Module Assembly .....	12
Balance Switch and Temperature Probe .....	14
Front, Side and Rear Panels .....	16
Door and Spray Tube Assembly .....	18
Door Lock Assembly .....	20
Basket, Outer Tub and Frame Assemblies .....	22
Supply Dispenser .....	24
Water Supply Valve and Hoses to Supply Dispenser .....	26
Spray Plumbing Assembly .....	28
Fill Plumbing Assembly .....	30
External Water Filters and Water Supply Hoses .....	32
Drain System, Overflow and Vent Pipes .....	34
Motor and Pulley Assemblies .....	36
A.C. Inverter Drive .....	38
Electric Heat Option .....	40
Steam Heat Option .....	42
Parts Index .....	45

© Copyright 1999, Alliance Laundry Systems LLC

All rights reserved. No part of the contents of this book may be reproduced or transmitted in any form or by any means without the expressed written consent of the publisher.

# Parts Ordering Information

Alliance Laundry Systems is not responsible for personal injury or property damage resulting from improper service. Review all service information before beginning repairs.

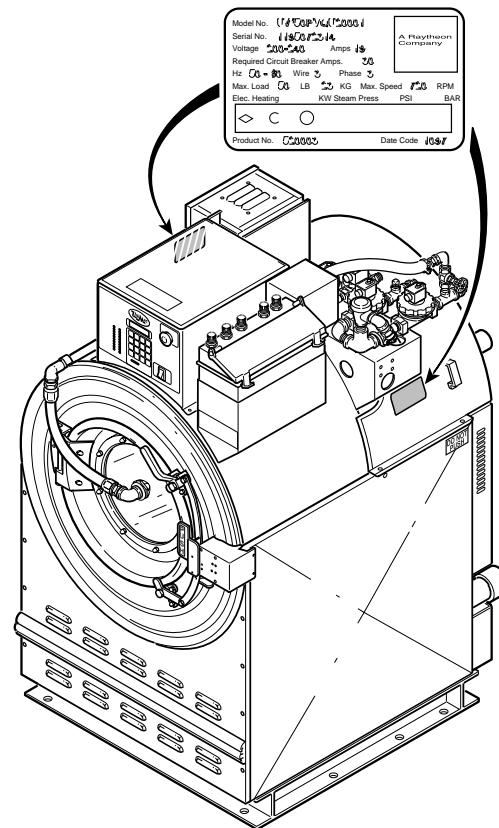
If literature or replacement parts are required, contact the source from whom the machine was purchased or contact Alliance Laundry Systems at (920) 748-3950 for the name of the nearest authorized parts distributor.

For technical assistance, call any of the following numbers:

(850) 718-1035  
(850) 718-1026  
Marianna, Florida  
(920) 748-3121  
Ripon, Wisconsin

## Nameplate Location

When calling or writing about your product, be sure to mention model and serial numbers. Model and serial numbers are located on nameplate(s) as shown.



U033M

## **Model Identification**

Information in this manual is applicable to these washer-extractors:

UW60PVQU10001

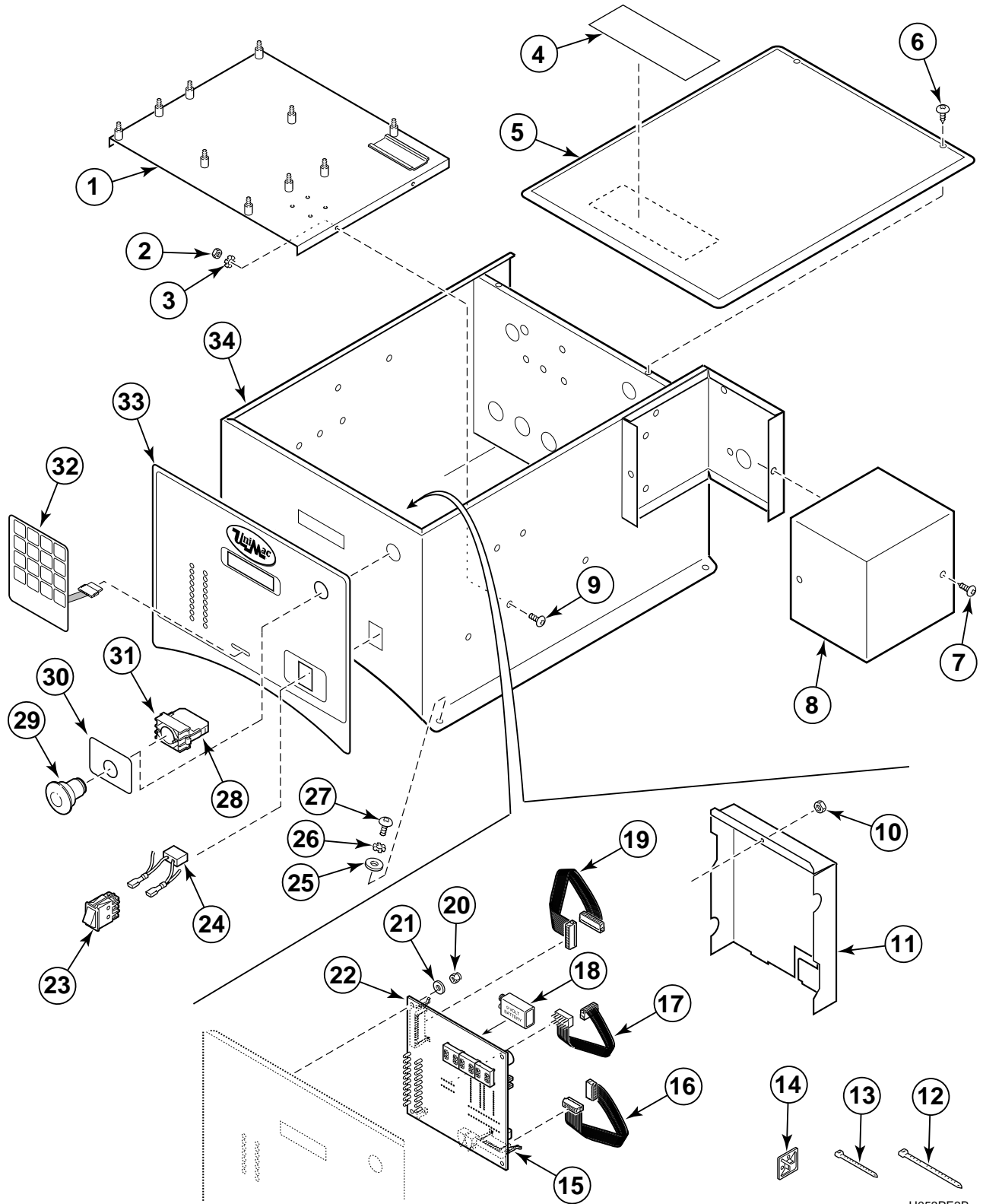
UW60PVTU10001

UW60PVPU10001



# Control Module Assembly

(Sheet 1 of 5)



U053PE3B

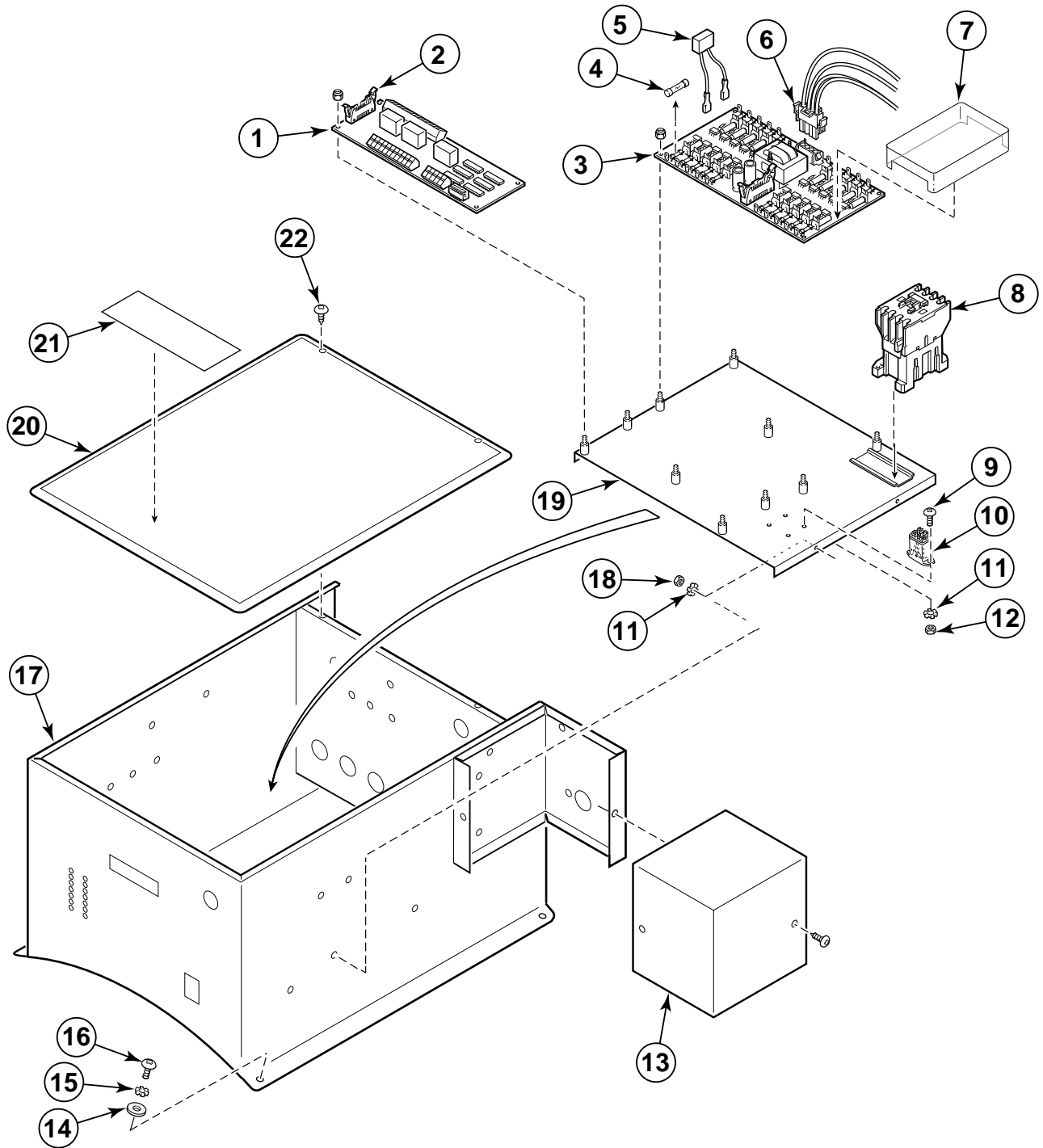
# Control Module Assembly

(Sheet 1 of 5)

REF	PART #	DESCRIPTION	COMMENTS
	F01503-MDL	Control Module Assembly	UW60PVT
	F01457-MDL	Control Module Assembly	UW60PVQ
	F01541-MDL	Control Module Assembly	UW60PVP
1	F608385	Control Module Cabinet Tray	
2	F431022	Nut	
3	F431113	Lockwasher	
4	F230202	Decal	
5	F601995	Control Module Cabinet Top	
6	F430174	Screw	
7	F431022	Screw	
8	F633339	Supply Valve Box Cover	
9	F430928	Screw	
10	F431000	Nut	
11	F606826	Micro Computer Cover	
12	F140606	Tie	Large
13	F140605	Tie	Small
14	F140602	Fastener	
15	F140578	Interface Connector	16-Pin
16	F140218	Flat Ribbon Cable	16 Cond
17	F140223	Flat Ribbon Cable	16 Cond
18	F191101	Battery Backup	Buy independently, 9 Volt
19	F140219	Flat Ribbon Cable	26 Cond
20	F430231	Nut	
21	F431125	Washer	
22	F370534-10	WE-6 Microcomputer Kit	
23	F340412	Momentary Switch	
24	F330217	RC Network Filter	
25	F431123	Washer	
26	F431108	Lockwasher	
27	F430904	Screw	
28	F340429	Contact Block Switch	
29	F340706	Emergency Switch Pushbutton	
30	F231083	Decal	
31	F340705	Push Button Base	
32	F230724	WE-6 Keypad Decal	
33	F230721	WE-6 Module Front Decal	
34	F604711-2	Control Module Cabinet Subassembly	

# Control Module Assembly

(Sheet 2 of 5)



U052PE3C



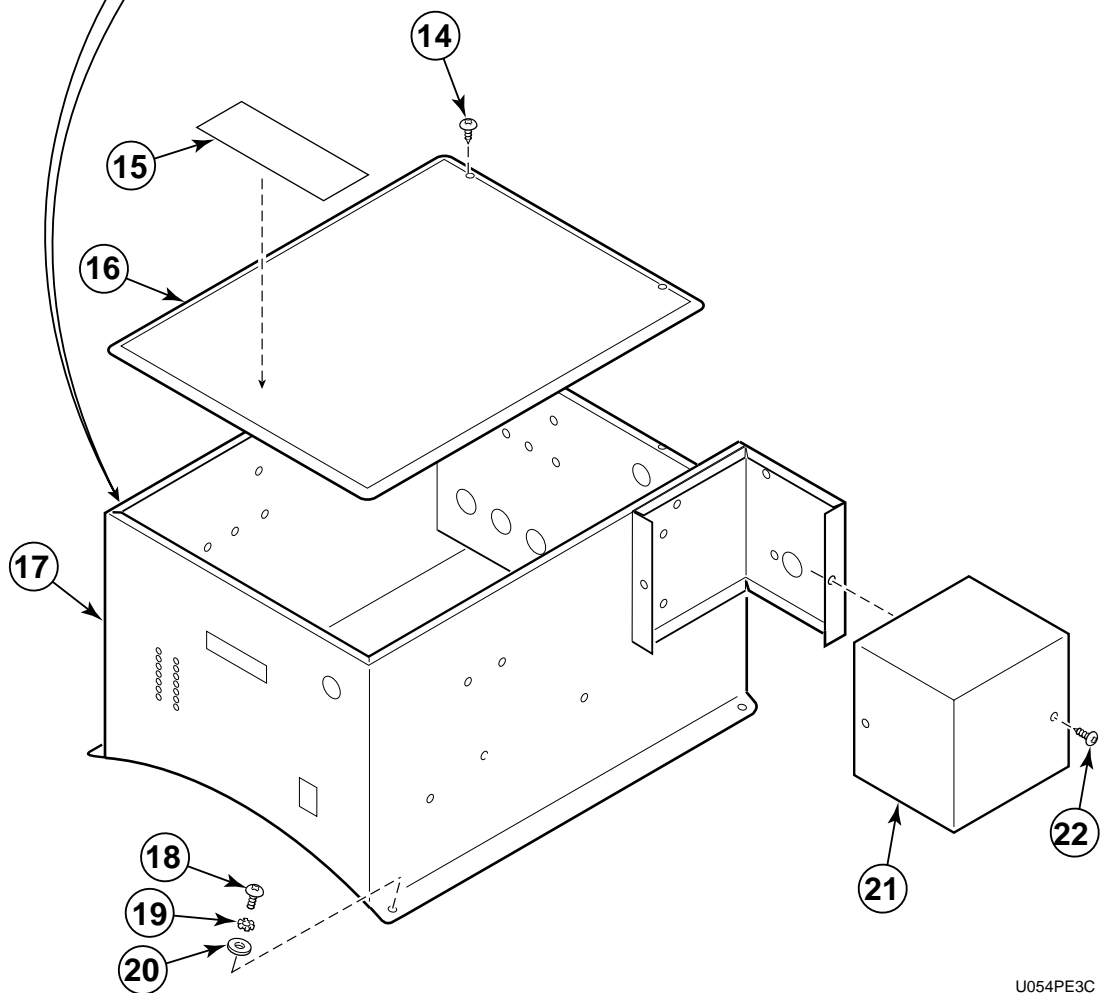
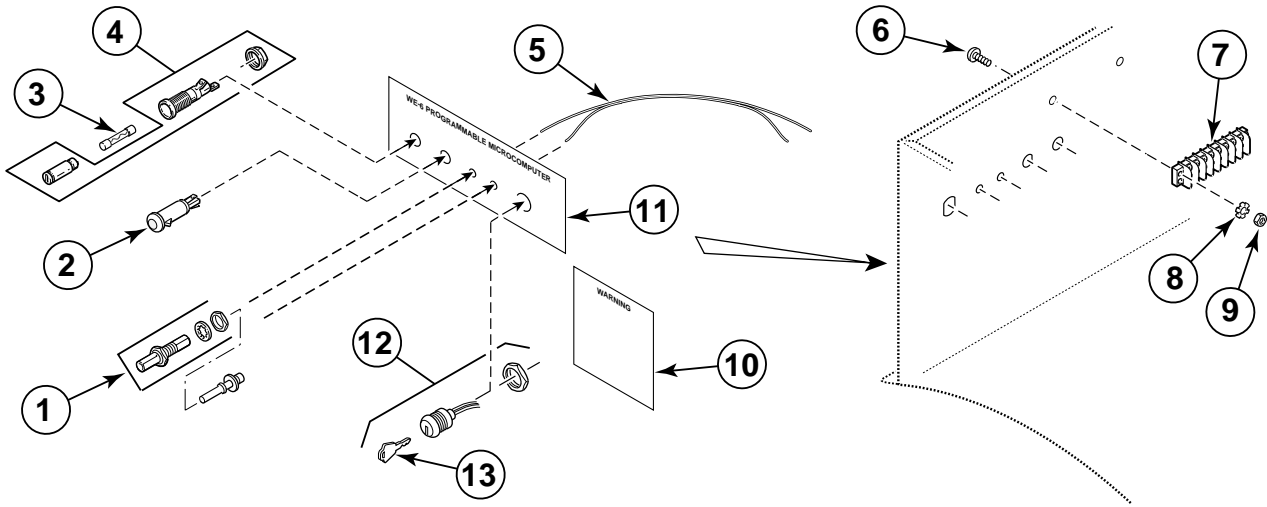
# Control Module Assembly

(Sheet 2 of 5)

REF	PART #	DESCRIPTION	COMMENTS
	F01503-MDL	Control Module Assembly	UW60PVT
	F01457-MDL	Control Module Assembly	UW60PVQ
	F01541-MDL	Control Module Assembly	UW60PVP
1	F370577	Interface Board	
2	F140578	Interface Connector	16-Pin
3	F370535	WE-6 Solid State Fuse/Relay Board	
4	F350115	Fuse	3 Amp
5	F330217	RC Network Filter	
6	F784003	Jumper Kit	
7	F140421	Fuse Board Cover	
8	F330148	Contactactor	
9	F430928	Screw	
10	F330227	Relay	
11	F431113	Lockwasher	
12	F430231	Nut	
13	F633339	Supply Valve Box Cover	
14	F431123	Washer	
15	F431108	Lockwasher	
16	F430904	Screw	
17	F604711-2	Control Module Cabinet Subassembly	
18	F431022	Nut	
19	F608385	Control Module Cabinet Tray	
20	F601995	Control Module Cabinet Top	
21	F230202	Decal	
22	F430174	Screw	

# Control Module Assembly

(Sheet 3 of 5)



U054PE3C

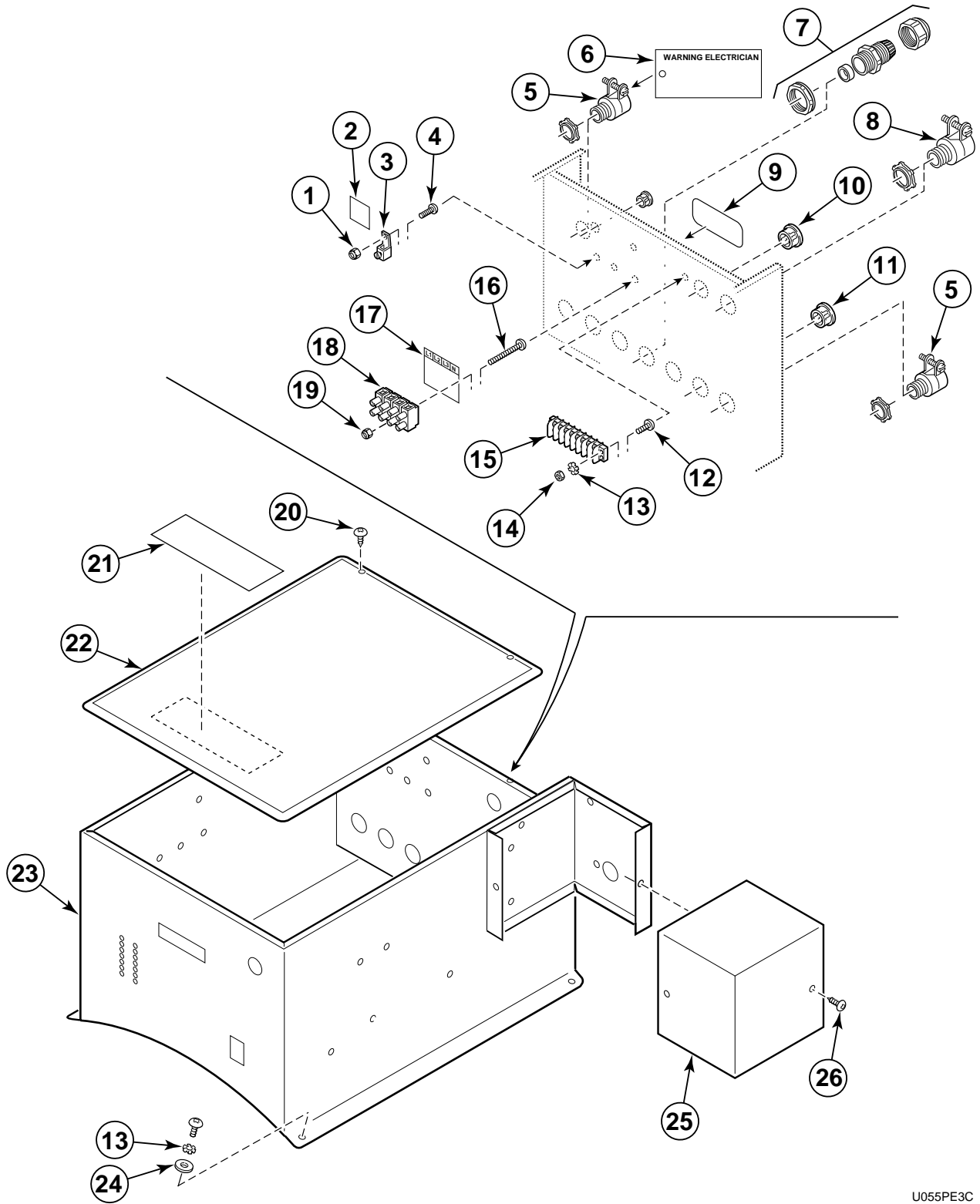
# Control Module Assembly

(Sheet 3 of 5)

REF	PART #	DESCRIPTION	COMMENTS
	F01503-MDL	Control Module Assembly	UW60PVT
	F01457-MDL	Control Module Assembly	UW60PVQ
	F01541-MDL	Control Module Assembly	UW60PVP
1	F140575	Fiber Optic Feed-thru	Gray
	F140576	Fiber Optic Feed-thru	Blue
2	F350400	Thermal Overload Neon Light	Red
3	F350115	Fuse	3 Amp
4	F350304	Fuse Holder	
5	F604713	Fiber Optic Cable	Sold per foot
6	F430928	Screw	
7	F140738	Terminal Strip	
8	F430935	Nut	
9	F430305	Lockwasher	
10	F231065	Decal	
11	F230678	Keymode Switch Decal	
12	F730186	Double Pole Key Switch Kit	
13	F370709	Program Key	Key is for F730186 Program only
14	F430171	Screw	
15	F230202	Decal	
16	F601995	Control Module Cabinet Top	
17	F604711-2	Control Module Cabinet	
18	F431022	Screw	
19	F431113	Lockwasher	
20	F431125	Washer	
21	F433339	Supply Valve Box Cover	
22	F430174	Screw	

# Control Module Assembly

(Sheet 4 of 5)



U055PE3C

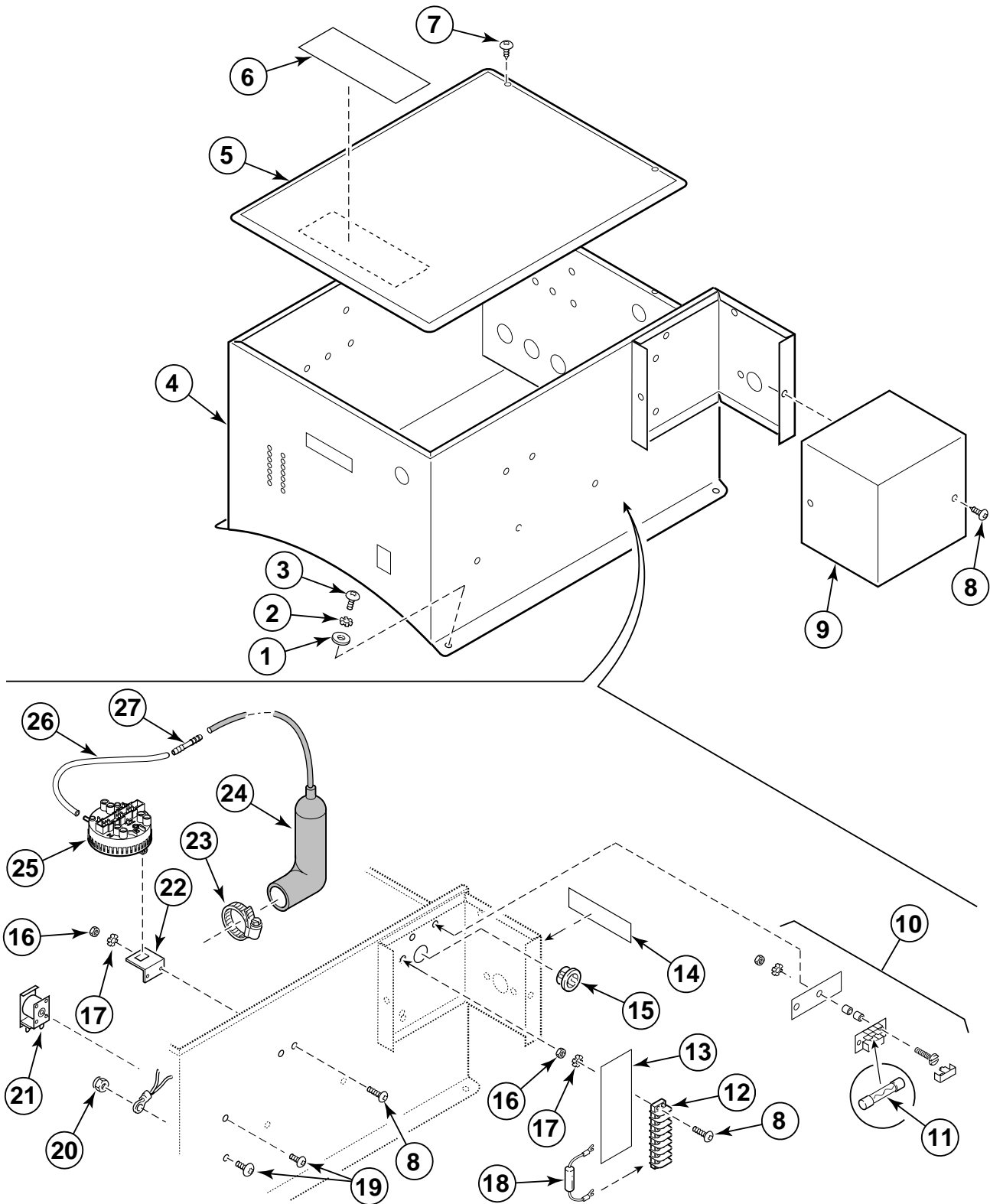
# Control Module Assembly

(Sheet 4 of 5)

REF	PART #	DESCRIPTION	COMMENTS
	F01503-MDL	Control Module Assembly	UW60PVT
	F01457-MDL	Control Module Assembly	UW60PVQ
	F01541-MDL	Control Module Assembly	UW60PVP
1	F430116	Nut	
2	F230630	Ground Decal	
3	F140734	Ground Lug	
4	F430928	Screw	
5	F140311	Conduit Connector	
6	F230215-2	Tag	
7	F140309	F/X Connector	
8	F140311	Conduit Connector	
9	F230677	Decal	
10	F140527	Nylon Plug	
11	F140909	Insulator Feed-thru Bushing	
12	F430928	Screw	
13	F431113	Lockwasher	
14	F431006	Nut	
15	F140738	Terminal Strip	
16	F430916	Screw	
17	F230677	Input Power Decal	
18	F140746	Input Power Terminal Block	
19	F431022	Nut	
20	F430171	Screw	
21	F230202	Decal	
22	F601995	Control Module Cabinet Top	
23	F604711-2	Control Module Cabinet	
24	F431125	Washer	
25	F633339	Supply Valve Box Cover	
26	F430174	Screw	

# Control Module Assembly

(Sheet 5 of 5)



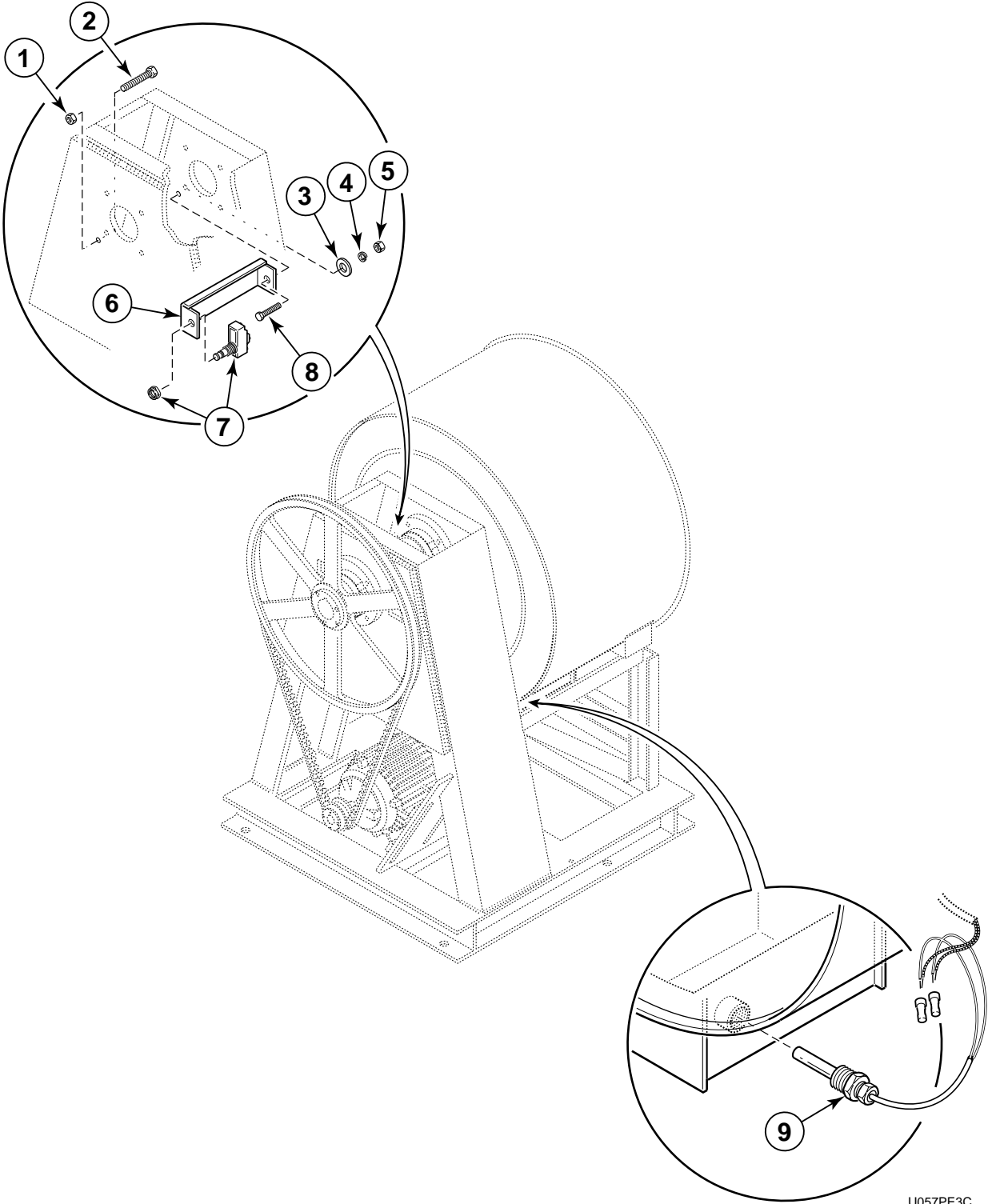
U056PE3C

# Control Module Assembly

(Sheet 5 of 5)

REF	PART #	DESCRIPTION	COMMENTS
	F01212	Control Module Assembly	UW60PVT
	F00608	Control Module Assembly	UW60PVQ
	F00918	Control Module Assembly	UW60PVP
1	F431123	Washer	
2	F431108	Lockwasher	
3	F430904	Screw	
4	F604711-2	Control Module Cabinet Subassembly	
5	F601995	Control Module Cabinet Top	
6	F430231	Screw	
7	F230202	Decal	
8	F430928	Screw	
9	F633339	Supply Valve Box Cover	
10	F350312	Dual Fuseholder	
11	F350115	Fuse	3 Amps, Metric
12	F140738	Terminal Strip	
13	F230764	Decal	
14	F230606	Decal	
15	F140909	Insulator Feed-thru Bushing	
16	F431022	Nut	
17	F431113	Lockwasher	
18	F610765	Resistor Assembly	
19	F430920	Screw	
20	F431017	Nut	
21	F300203	Buzzer	110 Volt
22	F630242	Tri-level Water Switch Bracket	
23	F200215	Hose Clamp	
24	F200163	Air Trap	
25	F340316	Tri-level Water Switch	
26	F422404	PVC Air Line	Sold per foot
27	F422500	Plastic Connector	

# Balance Switch and Temperature Probe



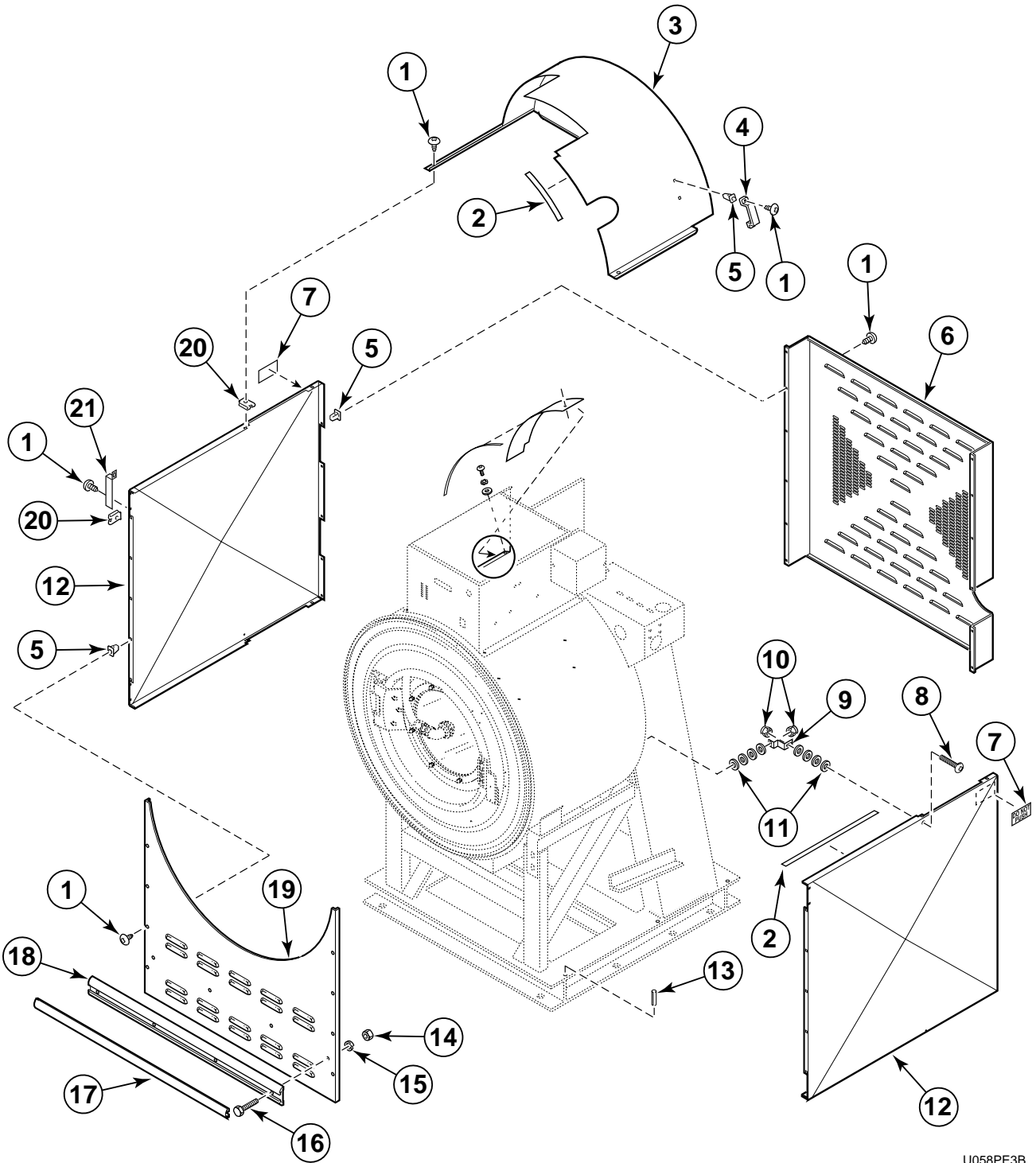
U057PE3C



## Balance Switch and Temperature Probe

REF	PART #	DESCRIPTION	COMMENTS
1	F430206	Nut	
2	F430124	Screw	
3	F430301	Flat Washer	
4	F430305	Split Lock Washer	
5	F430205	Nut	
6	F601750	Balance Switch Bracket	
7	F340900	Switch	
8	F430109	Screw	
9	F370606	Temperature Probe	

# Front, Side and Rear Panels

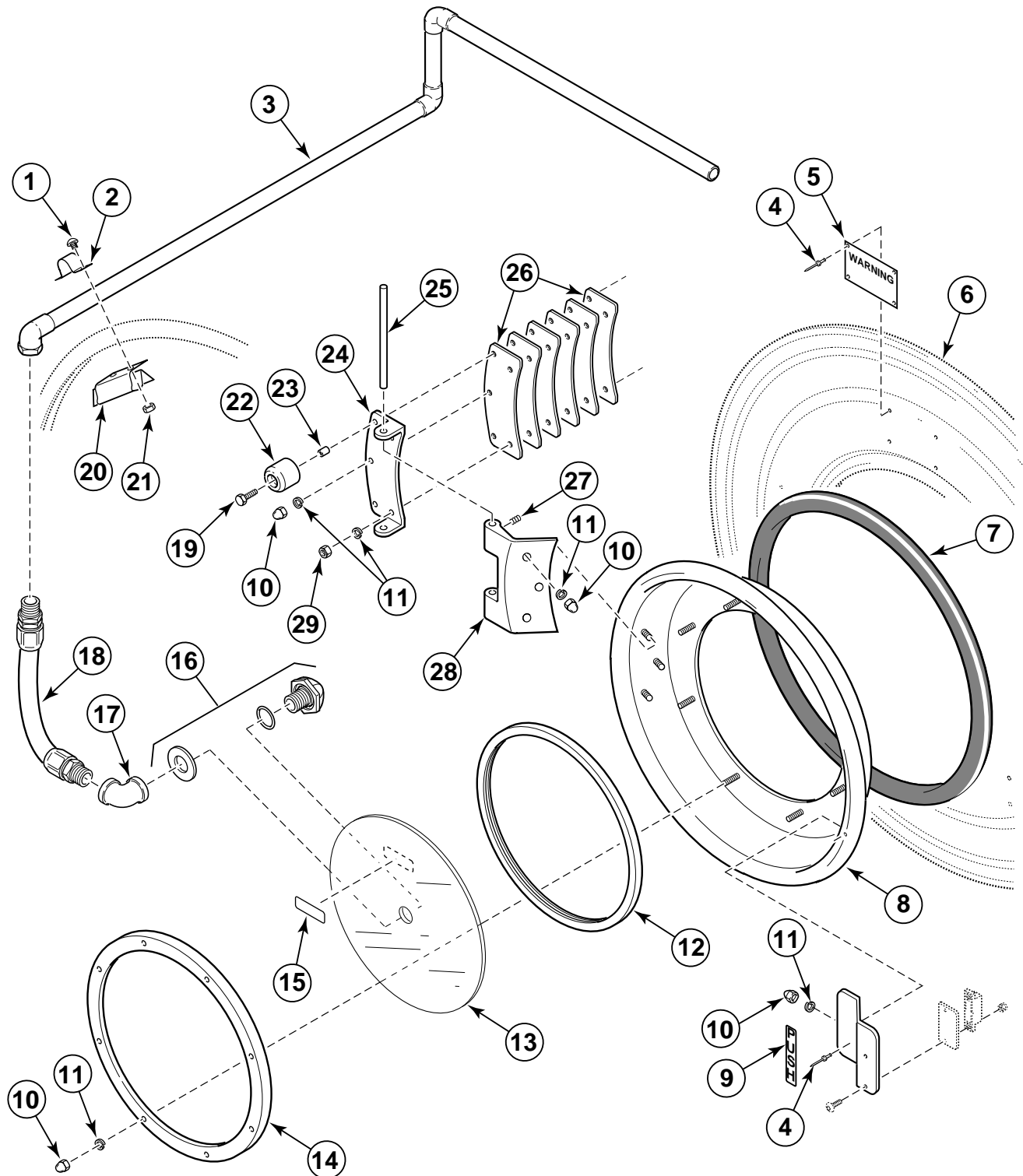


U058PE3B

## Front, Side and Rear Panels

REF	PART #	DESCRIPTION	COMMENTS
1	F430901	Screw	
2	F170401	Gasket	Sold per foot
3	F633205	Cage Wrap	
4	F605324	Handle	
5	F431804	Nut	
6	F609745	Rear Panel	
7	F230302	Decal	
8	F432234	Screw	
9	F601982	Bracket	
10	F430215	Nut	
11	F430317	Washer	
12	F630323	Side Panel	
13	F430415	Roll Pin	
14	F430211	Nut	
15	F431100	Split Lock Washer	
16	F430921	Screw	
17	F150397	Rub Rail Insert	Sold per foot
18	F150408	Rub Rail	
19	F609744	Front Panel	
20	F430606	Nut	
21	F606667	Bracket	

# Door and Spray Tube Assembly

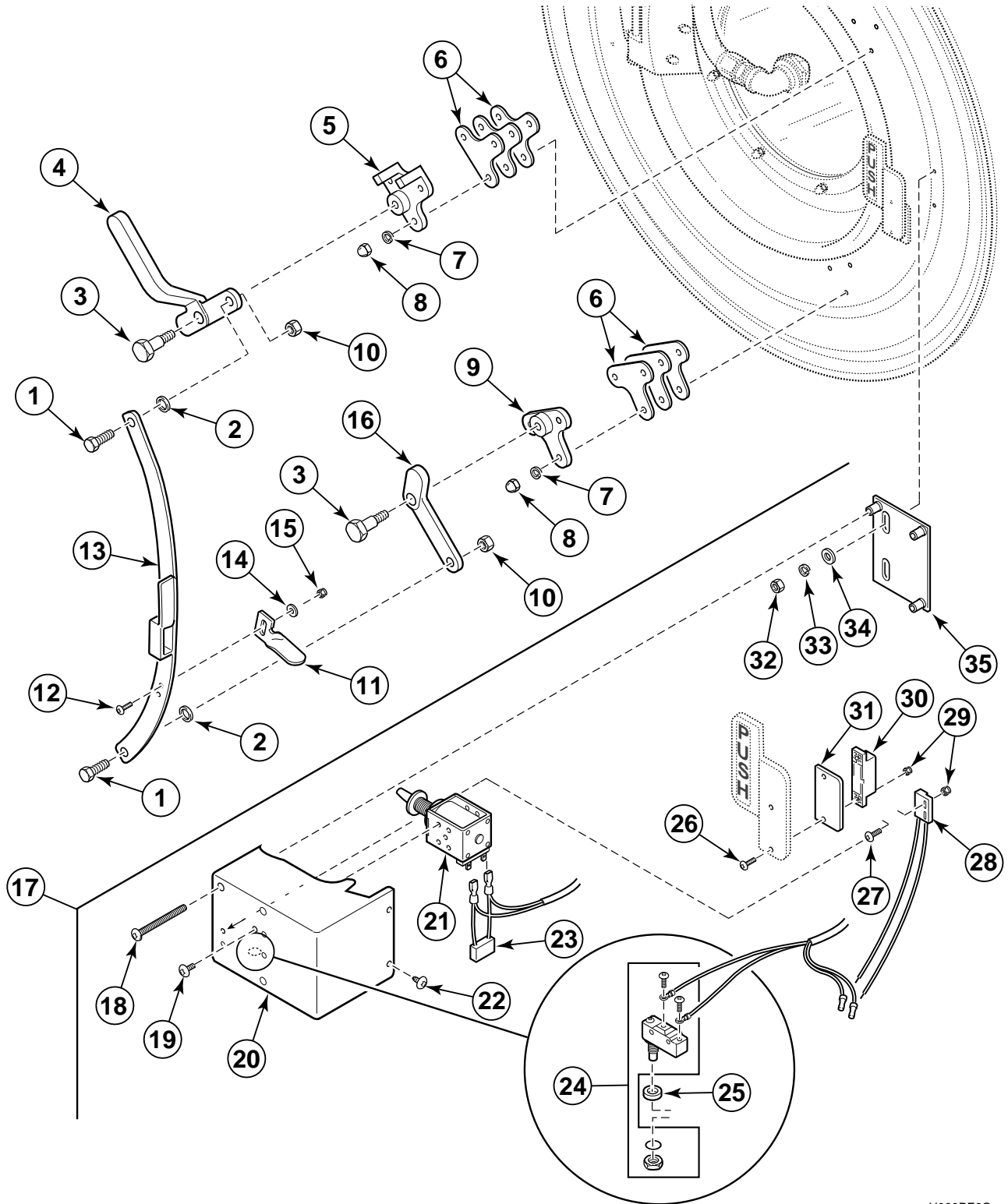


U059PE3C

# Door and Spray Tube Assembly

REF	PART #	DESCRIPTION	COMMENTS
	F746200-1	Door Push Handle Kit	
	F746201-1	Door Push Handle Kit	
	F730539	Door Kit	
1	F430917	Screw	
2	F602880	Tube Holding Clamp	
3	F610364	Spray Tube Assembly	
4	F431210	Rivet	
5	F230200	Warning Plate	
6	F633208	Shell Assembly	Identification reference
7	F170145	Door Gasket	
8	F601318	Door	
9	F230303	Decal	
10	F430214	Cap Nut	
11	F431100	Lockwasher	
12	F170117	Door Glass Gasket	
13	F290200	Door Glass	
14	F601239	Door Glass Retainer	
15	F230652	Decal	
16	F730077	Spray Rinse Nozzle Kit	
17	F422319	Chrome Elbow	
18	F730026	Spray Rinse Hose Kit	
19	F430103	Screw	
20	F602901	Clamp/Shell Band Bracket	
21	F431022	Nut	
22	F601307	Door Bumper	
23	F430416	Bushing	
24	F150210	Door Butt	
25	F601815	Door Hinge Pin	
26	F610694	Door Butt Shims	
27	F430502	Set Screw	
28	F601045	Door Hinge	
29	F430205	Nut	

# Door Lock Assembly

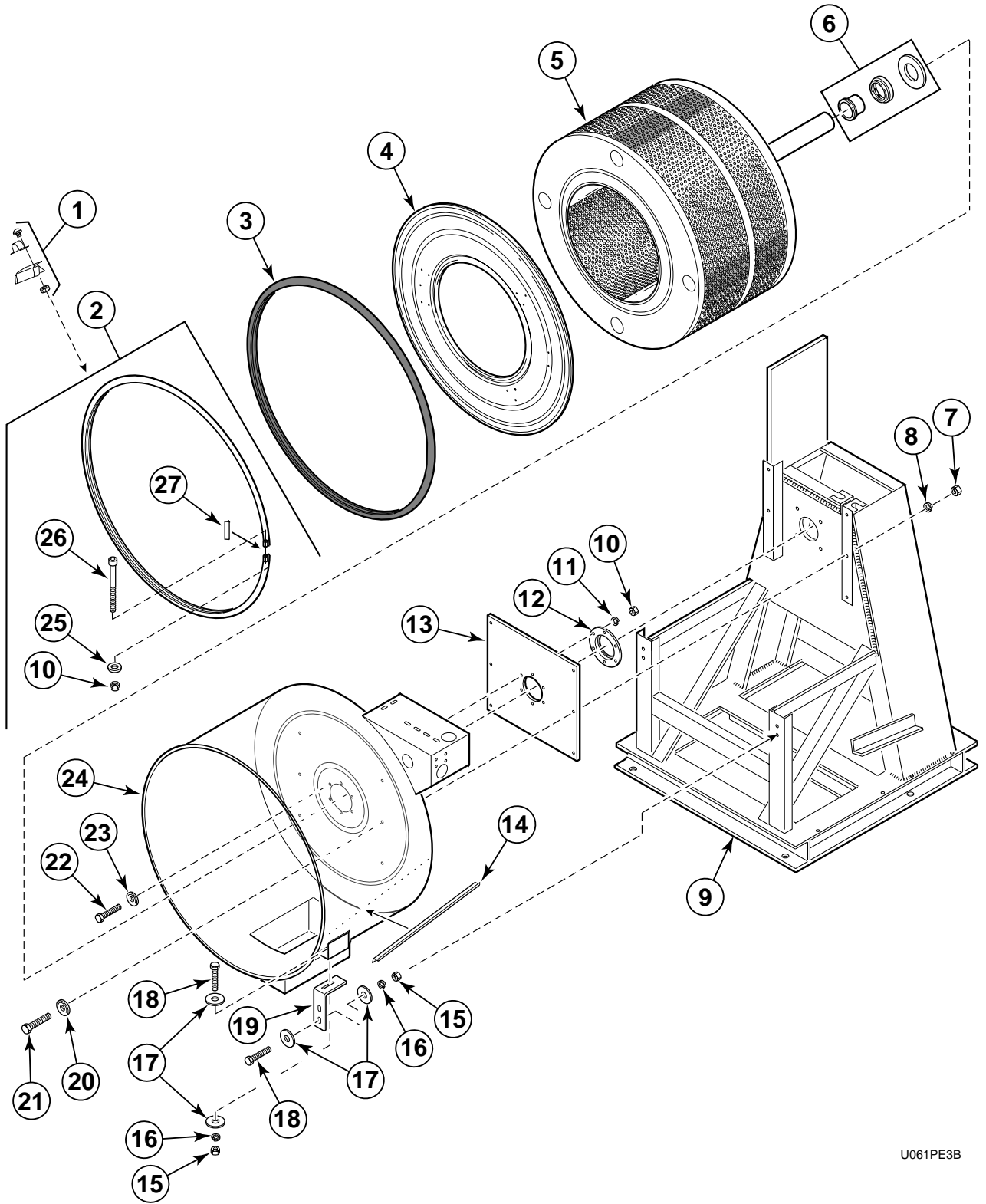


U060PE3C

# Door Lock Assembly

REF	PART #	DESCRIPTION	COMMENTS
1	F430927	Screw	
2	F431118	Washer	
3	F430168	Screw	
4	F150203	Door Handle	
5	F150201	Top Latch Bracket	
6	F602058	Door Latch Shims	
7	F431100	Lockwasher	
8	F430214	Cap Nut	
9	F150202	Lower Door Latch Bracket	
10	F430205	Nut	
11	F603005	Microswitch Trip Lever	
12	F430916	Screw	
13	F606810	Extension Arm	
14	F431125	Washer	
15	F430232	Nut	
16	F150204	Lower Door Latch	
17	F603665	Door Box Assembly	Includes Solenoid and Switch
18	F431005	Screw	
19	F430995	Screw	
20	F606630	Door Box	
21	F300118	Door Lock Solenoid	110 Volt
22	F430956	Screw	
23	F330217	RC Network Filter	
24	F340900	Door Interlock Switch	
25	F601055	Interlock Switch Spacer	
26	F430909	Screw	
27	F430917	Screw	
28	F340702	Magnetic Position Switch	110 Volt
29	F430231	Nut	
30	F340703	Magnet	
31	F603683	Push Handle Bracket	
32	F430996	Nut	
33	F431100	Lockwasher	
34	F431142	Washer	
35	F601129	Door Box Bracket	

# Basket, Outer Tub and Frame Assemblies



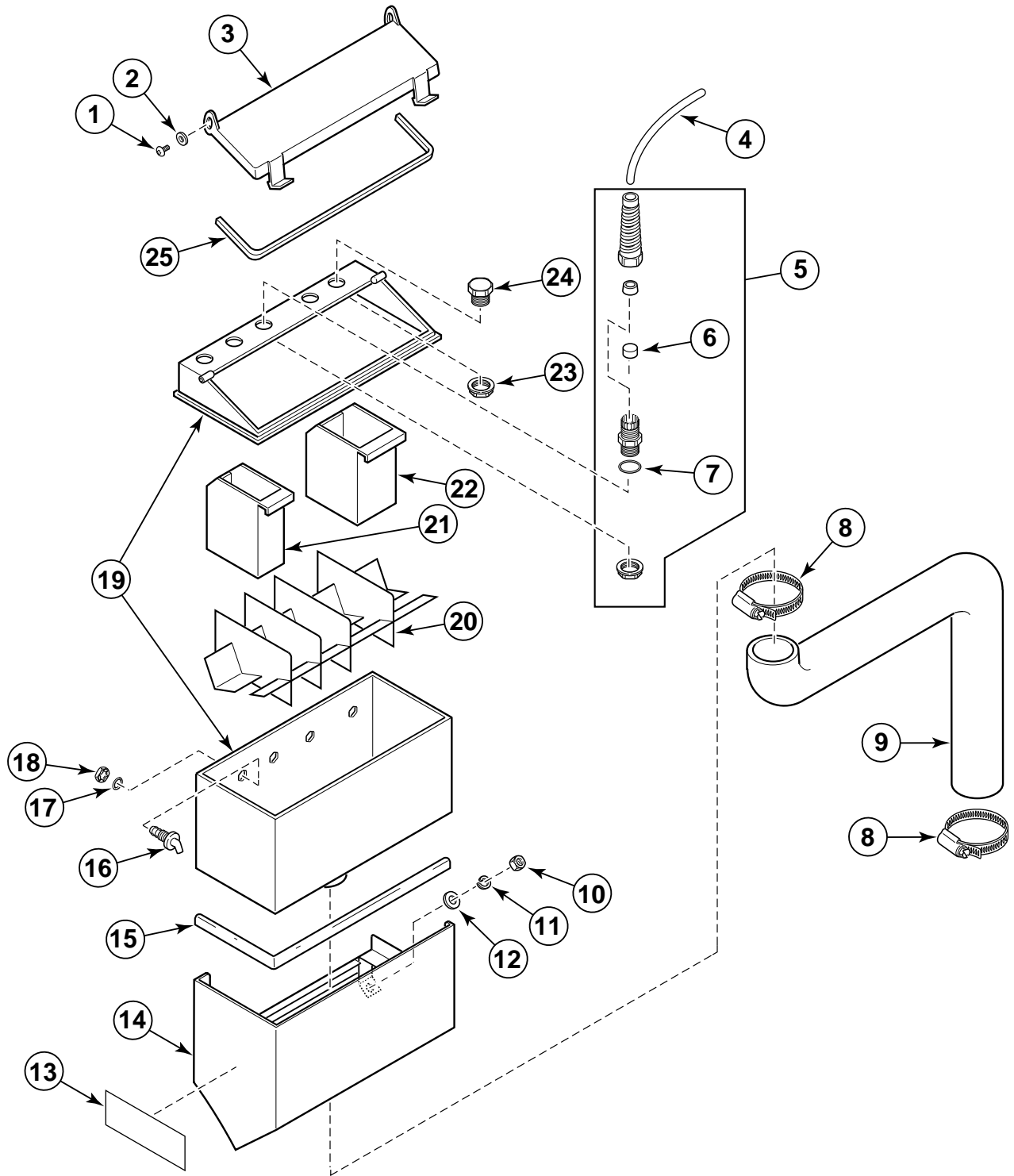
U061PE3B



## Basket, Outer Tub and Frame Assemblies

REF	PART #	DESCRIPTION	COMMENTS
1	F602901	Tube Holding Assembly	
2	F603344	Front Shell Band	
3	F170120	Front Shell Gasket	Sold per foot
4	F603428	Front Shell Assembly	
5	F632015	Basket Assembly	
6	F602505	Collar Assembly	
7	F430212	Nut	
8	F430321	Lockwasher	
9	F633436	Frame Assembly	
10	F430211	Nut	
11	F430322	Spring Lock Washer	
12	F601221	Retainer Seal	
13	F741600	Shellplate Re-enforcement Kit	
14	F150408	Condensation Gutter	
15	F430205	Nut	
16	F430305	Lockwasher	
17	F430301	Flat Washer	
18	F430109	Screw	
19	F601806	Shell Mounting Bracket	
20	F431116	Sealing Washer	
21	F430924	Bolt	
22	F430913	Screw	
23	F431112	Sealing Washer	
24	F633208	Shell Assembly	Standard
	F603554	Shell Assembly	Electric Heat
	F603555	Shell Assembly	Steam Heat
25	F430317	Flat Washer	
26	F430500	Screw	
27	F601216	Shell Band Gap Plate	

# Supply Dispenser

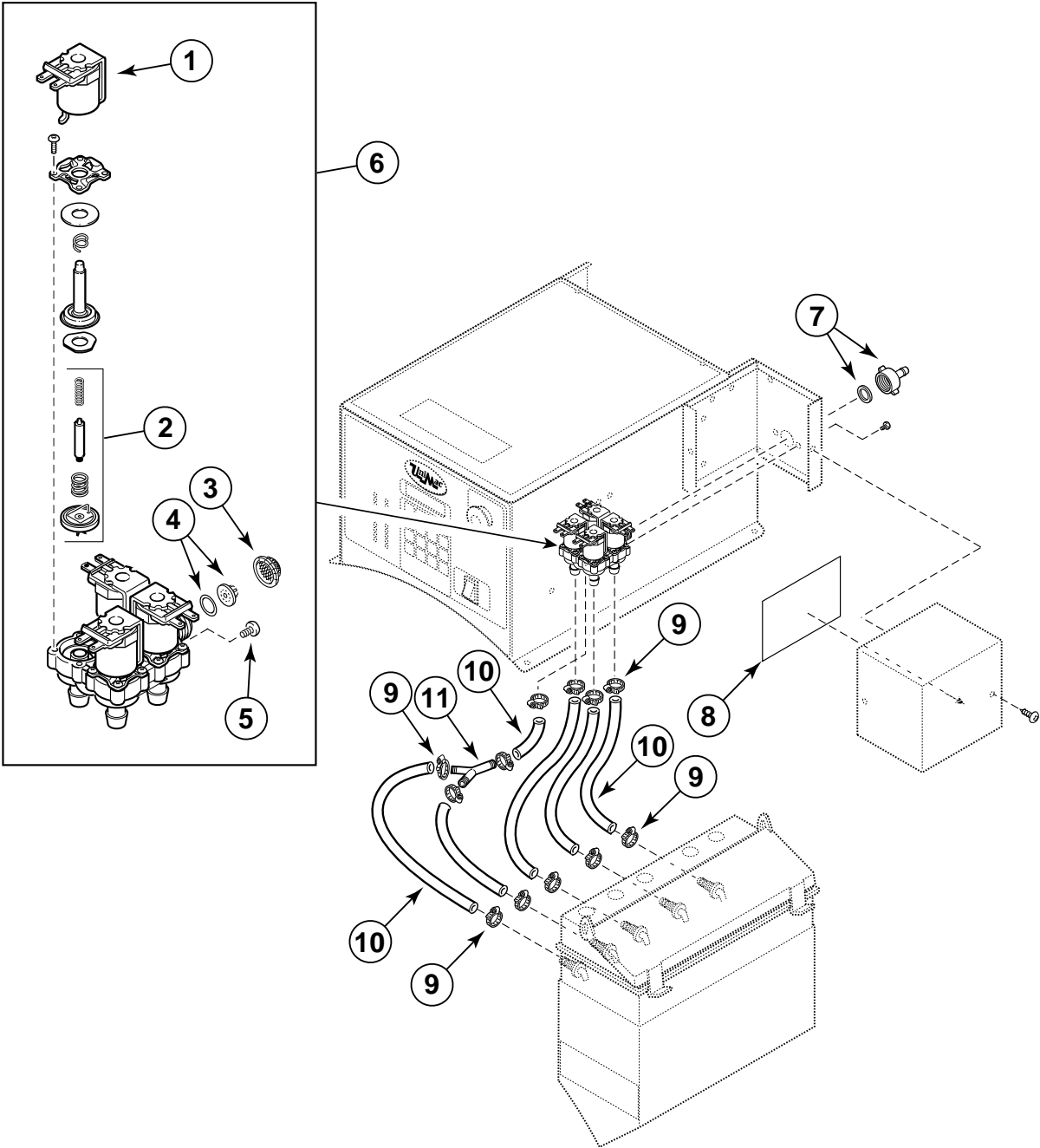


U062PE3B

# Supply Dispenser

REF	PART #	DESCRIPTION	COMMENTS
	F730168	Soap Injection Nozzle Kit	Includes O-ring, Supply Nozzle and Nut
1	F430917	Screw	
2	F431133	Washer	
3	F150384	Supply Dispenser Lid	
4	F150390	Tubing	Sold per foot
5	F749802	Strain Relief Connector Assembly	
6	F170165	Strain Relief Plug	
7	F170215	O-Ring	
8	F200213	Hose Clamp	
9	F150469	Hose	
10	F422508	Nut	
11	F431100	Lockwasher	
12	F431147	Washer	
13	F231020	Decal	
14	F633032	Soap Dispenser Shroud	
15	F170401	Gasket	Sold per foot
16	F380300	Supply Nozzle	
17	F170208	O-Ring	
18	F430224	Supply Nozzle Nut	
19	F150383	Supply Polypropylene Dispenser	
20	F150388	Dry Supply Insert	
21	F150385	Chemical Supply Cup	20 ounces
22	F150386	Chemical Supply Cup	32 ounces
23	F140340	Nut	
24	F190304	Plug Cap	
25	F170158	Supply Dispenser Lid Gasket	Sold per foot

# Water Supply Valve and Hoses to Supply Dispenser

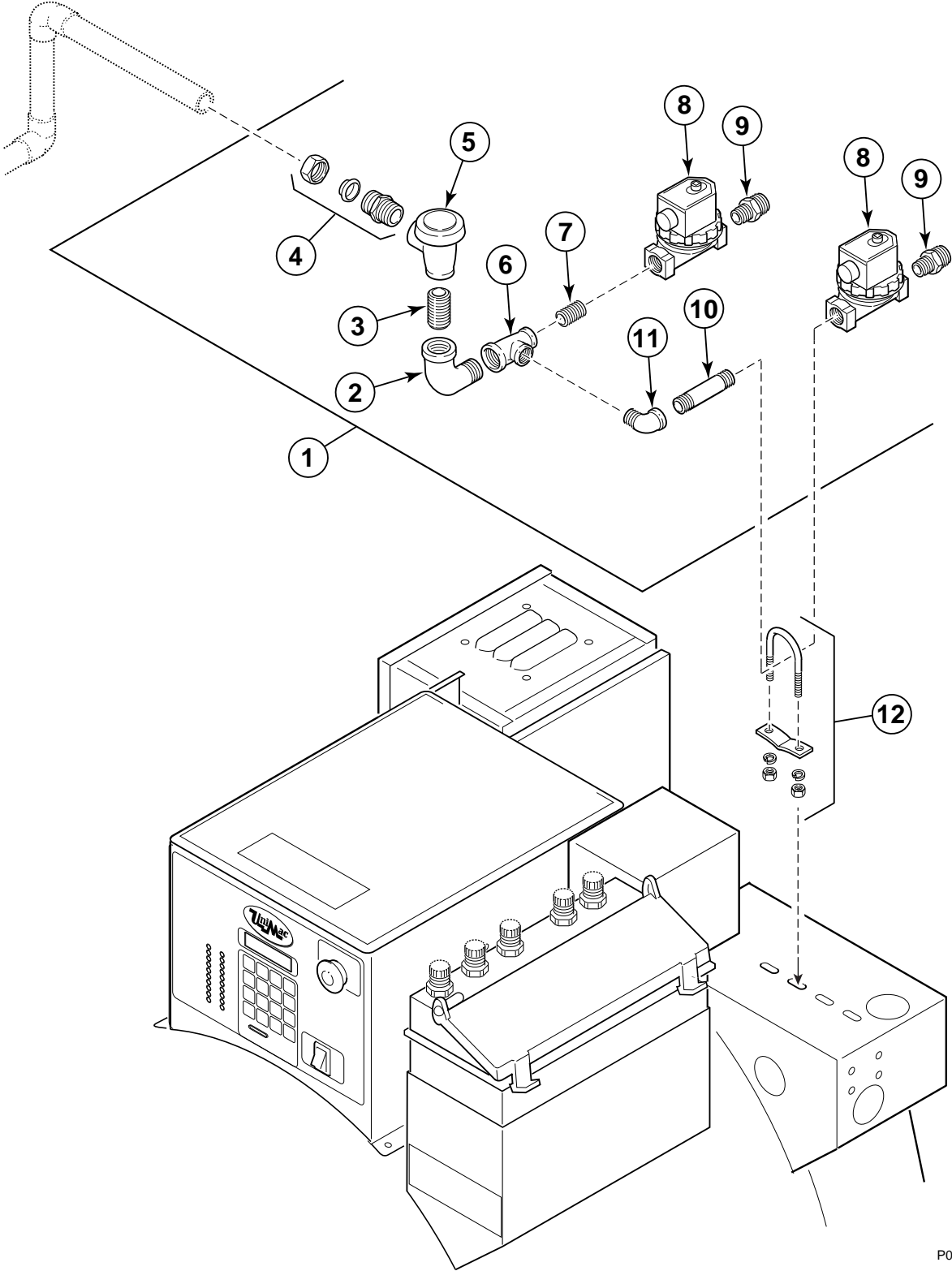


U063PE3B

## Water Supply Valve and Hoses to Supply Dispenser

REF	PART #	DESCRIPTION	COMMENTS
1	F380900	Coil	110/120 Volts, 50/60 Hertz
2	F380938	4-Way Valve Repair Kit	10mm
3	F270200	Strainer	
4	F380106	Flow Restrictor	8 liter
5	F430948	Screw	
6	F380715	4-Way Supply Valve	110/120 Volts, 50/60 Hertz
7	F200302	Hot Water Hose Connector	
8	F230754	Decal	
9	F200202	Hose Clamp	
10	F200110	Hose	
11	F422808	Connector	

# Spray Plumbing Assembly

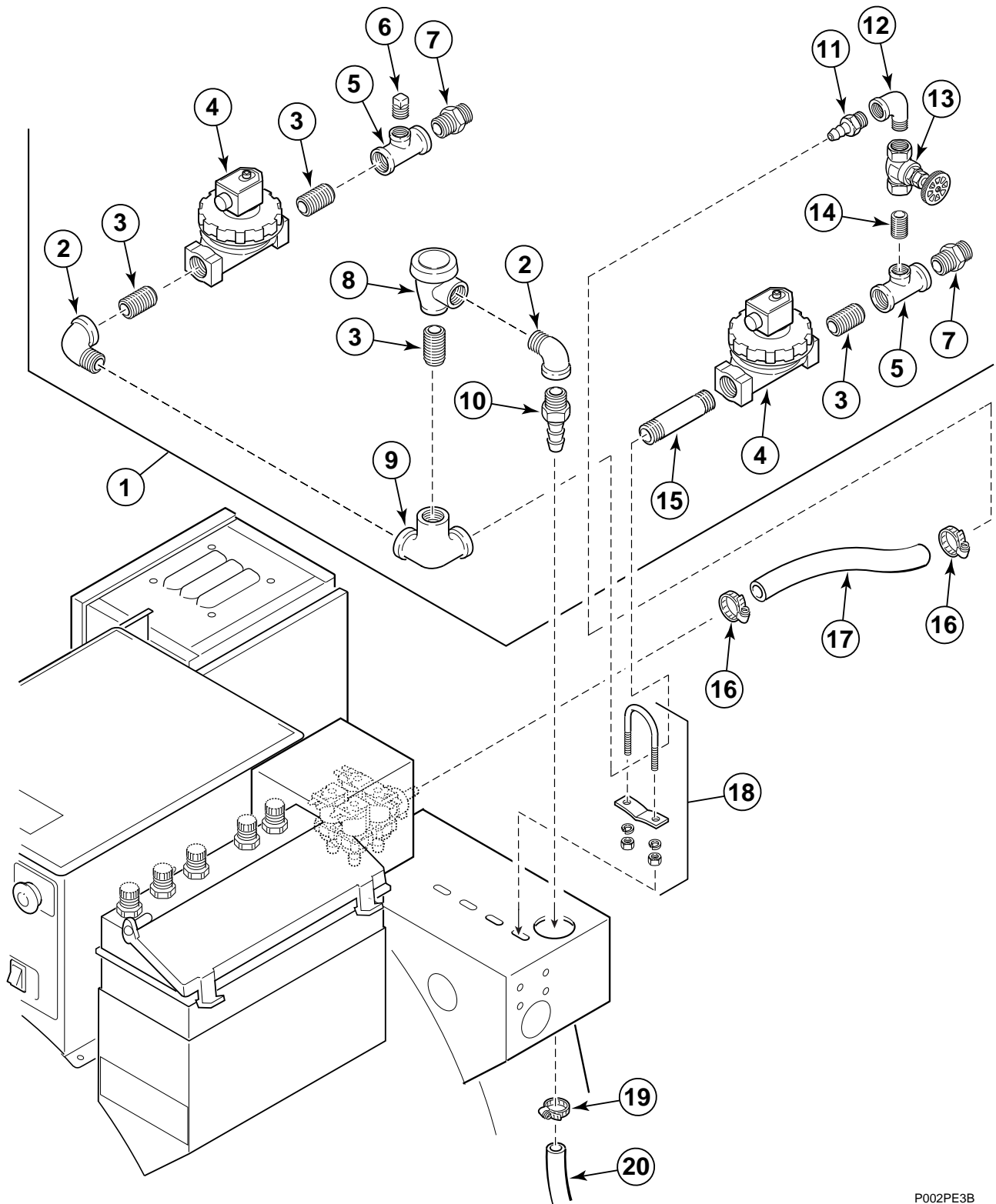


P001PE3B

# Spray Plumbing Assembly

REF	PART #	DESCRIPTION	COMMENTS
	F380993	Spray Valve Repair Kit	Each valve requires one (1) Repair kit
1	F633150	Spray Plumbing Assembly	120 Volt
	F633150-1	Spray Plumbing Assembly	220 Volt
	F633150-2	Spray Plumbing Assembly	120 Volt with brass option
	F633150-3	Spray Plumbing Assembly	220 Volt with brass option
	F633150-4	Spray Plumbing Assembly	120 Volt with G-threads
	F633150-5	Spray Plumbing Assembly	220 Volt with G-threads
	F633150-6	Spray Plumbing Assembly	120 Volt with G-threads and brass option
	F633150-7	Spray Plumbing Assembly	220 Volt with G-threads and brass option
2	F420502	Elbow	
3	F420105	Nipple	
4	F422106	Tube Connector	
5	F380800	Vacuum Breaker	
6	F420401	Tee	
7	F420101	Nipple	
8	F381702	Spray Valve	110 Volt w/DIN
9	F421908	Hose Adapter	
10	F420103	Nipple	
11	F420500	Street Elbow	
12	F200401	U-Bolt	

# Fill Plumbing Assembly



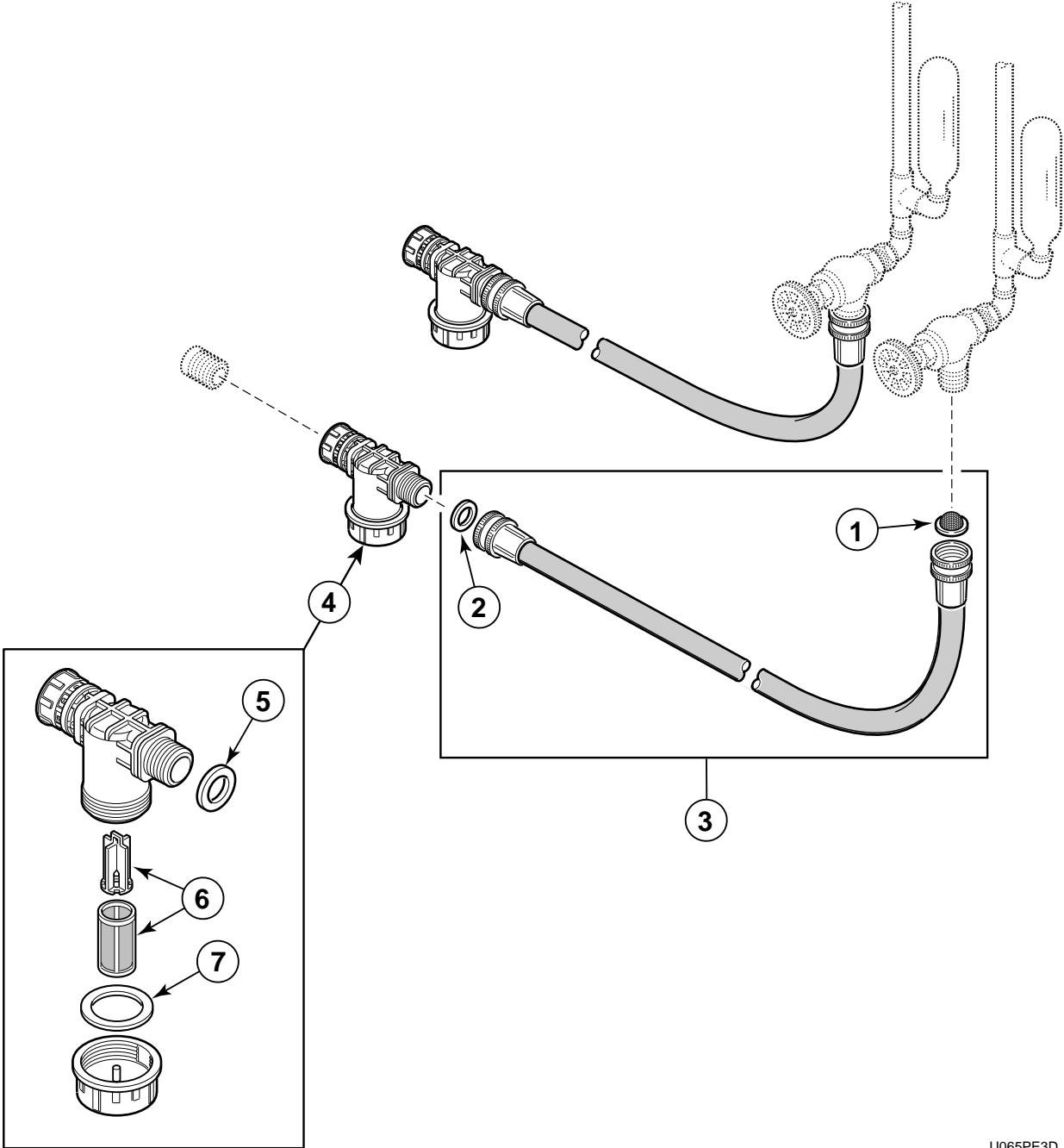
P002PE3B



## Fill Plumbing Assembly

REF	PART #	DESCRIPTION	COMMENTS
	F380991	Spray Valve Repair Kit	Each valve requires one (1) Repair kit
1	F633146	Fill Plumbing Assembly	120 Volt
	F633146-1	Fill Plumbing Assembly	220 Volt
	F633146-2	Fill Plumbing Assembly	120 Volt with brass option
	F633146-3	Fill Plumbing Assembly	220 Volt with brass option
	F633146-4	Fill Plumbing Assembly	120 Volt with G-threads
	F633146-5	Fill Plumbing Assembly	220 Volt with G-threads
	F633146-6	Fill Plumbing Assembly	120 Volt with G-threads and brass option
	F633146-7	Fill Plumbing Assembly	220 Volt with G-threads and brass option
2	F420502	Elbow	
3	F420105	Nipple	
4	F381700	Fill Valve	120 Volt
5	F420400	Tee	
6	F420408	Plug	
7	F421909	Hose Adapter	
8	F380800	Vacuum Breaker	
9	F420509	Elbow	
10	F421951	Hose Barb	
11	F421903	Adapter	
12	F420500	Street Elbow	
13	F380500	Gate Valve	
14	F420101	Nipple	
15	F420107	Nipple	
16	F200224	Hose Clamp	
17	F605793	Fill Tube	
18	F200401	U-Bolt	Connects to Supply Valve
19	F200222	Hose Clamp	Includes hardware
20	F421202	Bottom Fill Tube Assembly	

# External Water Filters and Water Supply Hoses

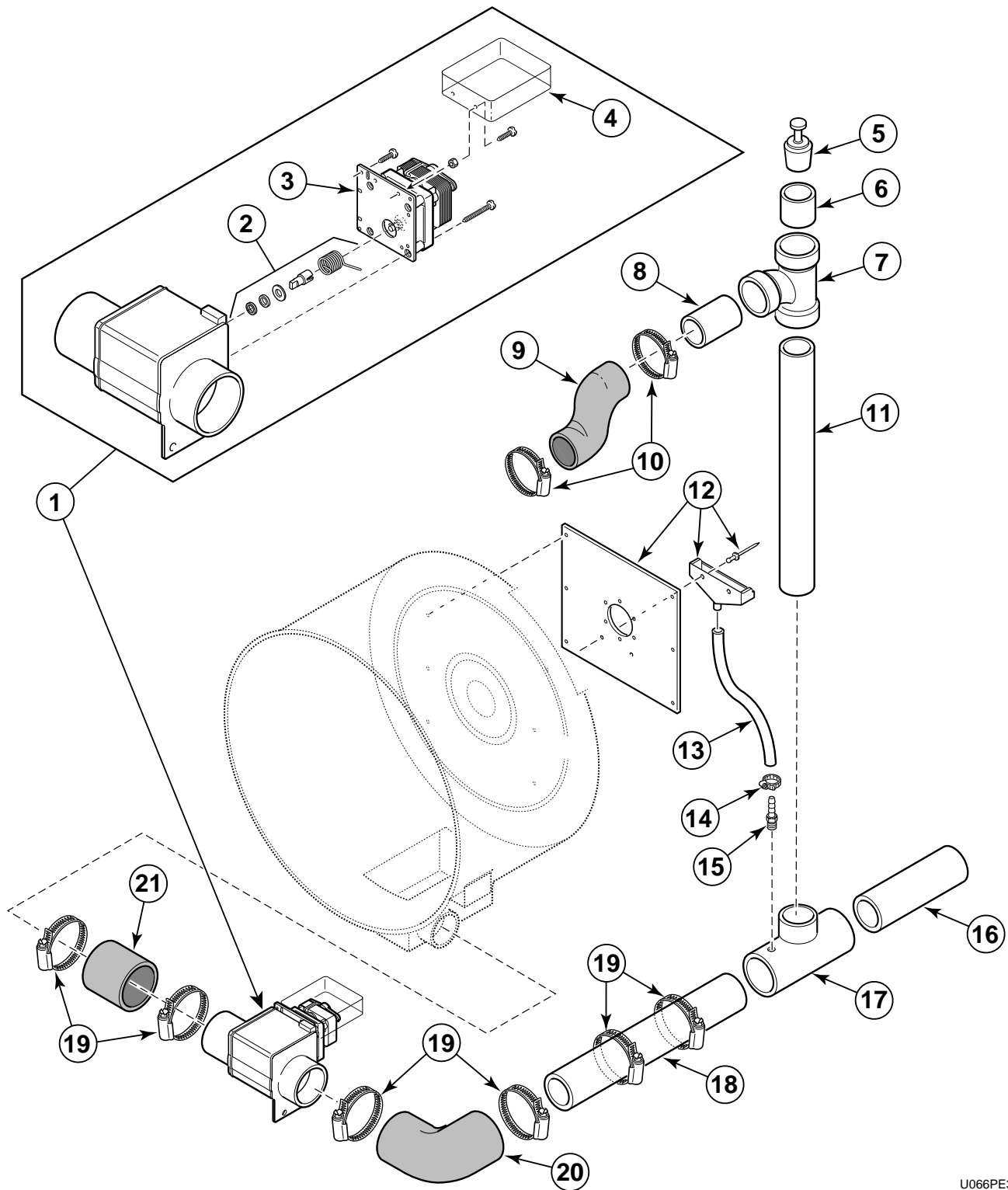


U065PE3D

## External Water Filters and Water Supply Hoses

REF	PART #	DESCRIPTION	COMMENTS
1	F270300	Filter Screen	
2	F200500	Washer	
3	F200164	Water Supply Hose	
	F380933	Drain Valve Motor	240 Volt, 60 Hertz, Round Shaft
4	F270306	Filter Assembly	U.S. Thread
	F270305	Filter Assembly	European Thread (metric)
5	F200500	Washer	
6	F270406	Filter Replacement	
7	F270407	Gasket	

# Drain System, Overflow and Vent Pipes

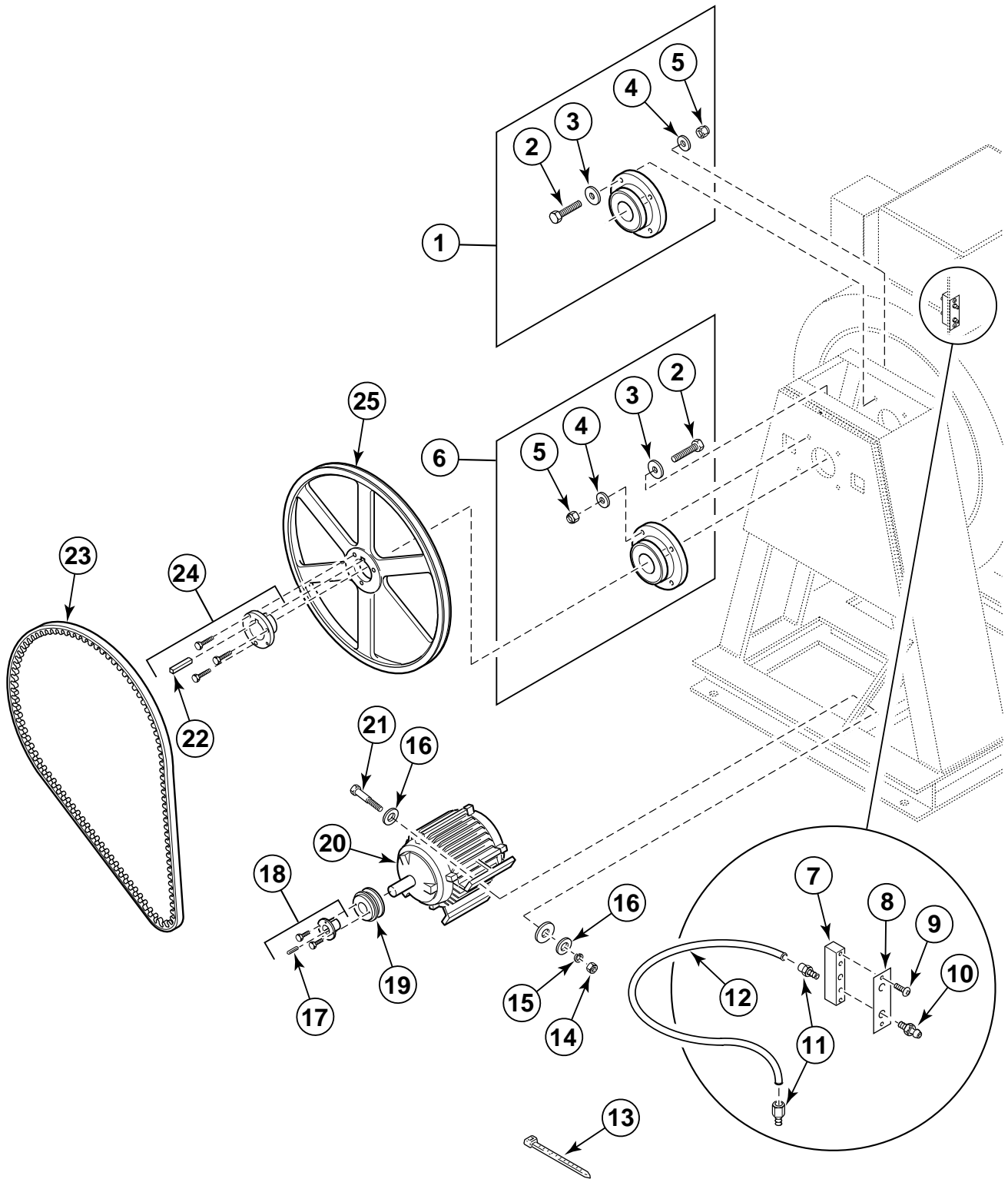


U066PE3B

## Drain System, Overflow and Vent Pipes

REF	PART #	DESCRIPTION	COMMENTS
	F633230	Drain Assembly	120 Volt
	F633230-1	Drain Assembly	120 Volt
1	F380600	Drain Valve	110 Volt, 60 Hertz, Complete
2	F380918	Main Drive	
3	F380932	Drain Valve Motor	110 Volt, 60 Hertz, Round Shaft
	F380933	Drain Valve Motor	240 Volt, 60 Hertz, Round Shaft
4	F602761	Drain Valve Motor Cover	
5	F380117	Vacuum Breaker	Plastic
6	F422508	Adapter	PVC
7	F422801	Tee	Plastic Sanitary
8	F610029	Pipe	PVC
9	F150309	Hose	
10	F200213	Hose Clamp	
11	F610824	Pipe	PVC
12	F741600	Scupper Assembly Kit with Plate	
13	F200107	Scupper Hose	Sold per foot
14	F200207	Hose Clamp	
15	F421929	Hose Barb	
16	F602365-1	Pipe	PVC
17	F422803	Tee	PVC
18	F610037	Pipe	PVC
19	F200201	Hose Clamp	
20	F150438	Elbow Hose	
21	F150442	Drain Hose	

# Motor and Pulley Assemblies

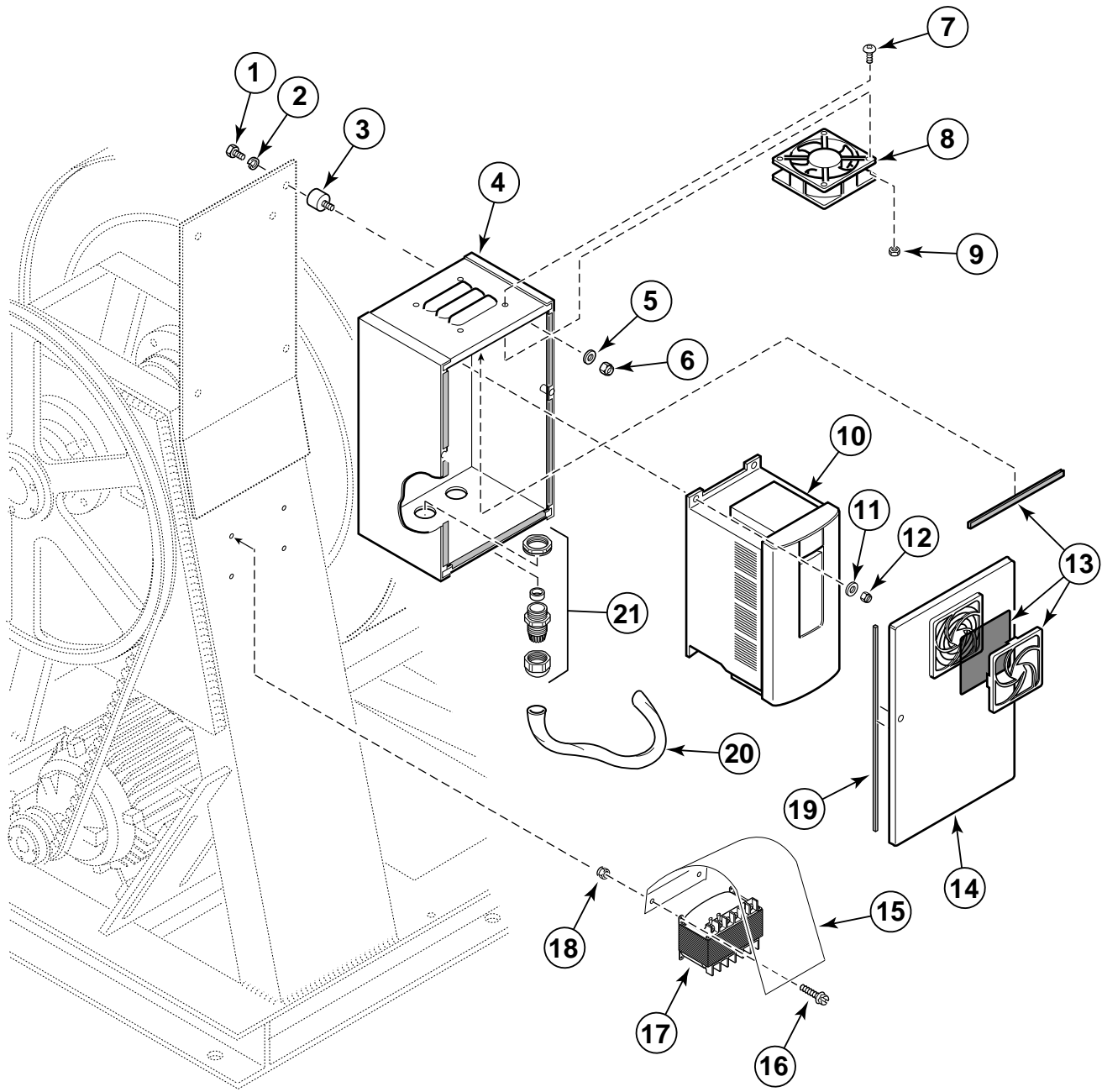


U067PE3B

## Motor and Pulley Assemblies

REF	PART #	DESCRIPTION	COMMENTS
1	F745009	Front Bearing Kit	Includes seal and hardware
2	F430137	Bolt	
3	F430317	Flat Washer	
4	F430327	Washer	
5	F430200	Fiberlock Nut	
6	F745010	Rear Bearing Kit	Includes seal and hardware
7	F320326	Grease Manifold	
8	F230745	Decal	
9	F430916	Screw	
10	F190701	Grease Fitting	
11	F422101	Grease Tube Fittings	
12	F200190	Grease Tubing	
13	F140605	Tie	
14	F430205	Nut	
15	F430305	Split Lock Washer	
16	F430301	Flat Washer	
17	F430802	Motor Key	
18	F280211	Motor Pulley Bushing	Includes screws and key
19	F280146	Motor Pulley	
20	F220214	Motor	
21	F430993	Screw	
22	F430801	Mainshaft Key	
23	F280353	Belt	
24	F280257	Bushing	Includes screws and key
25	F280255	Mainshaft Pulley	

# A.C. Inverter Drive



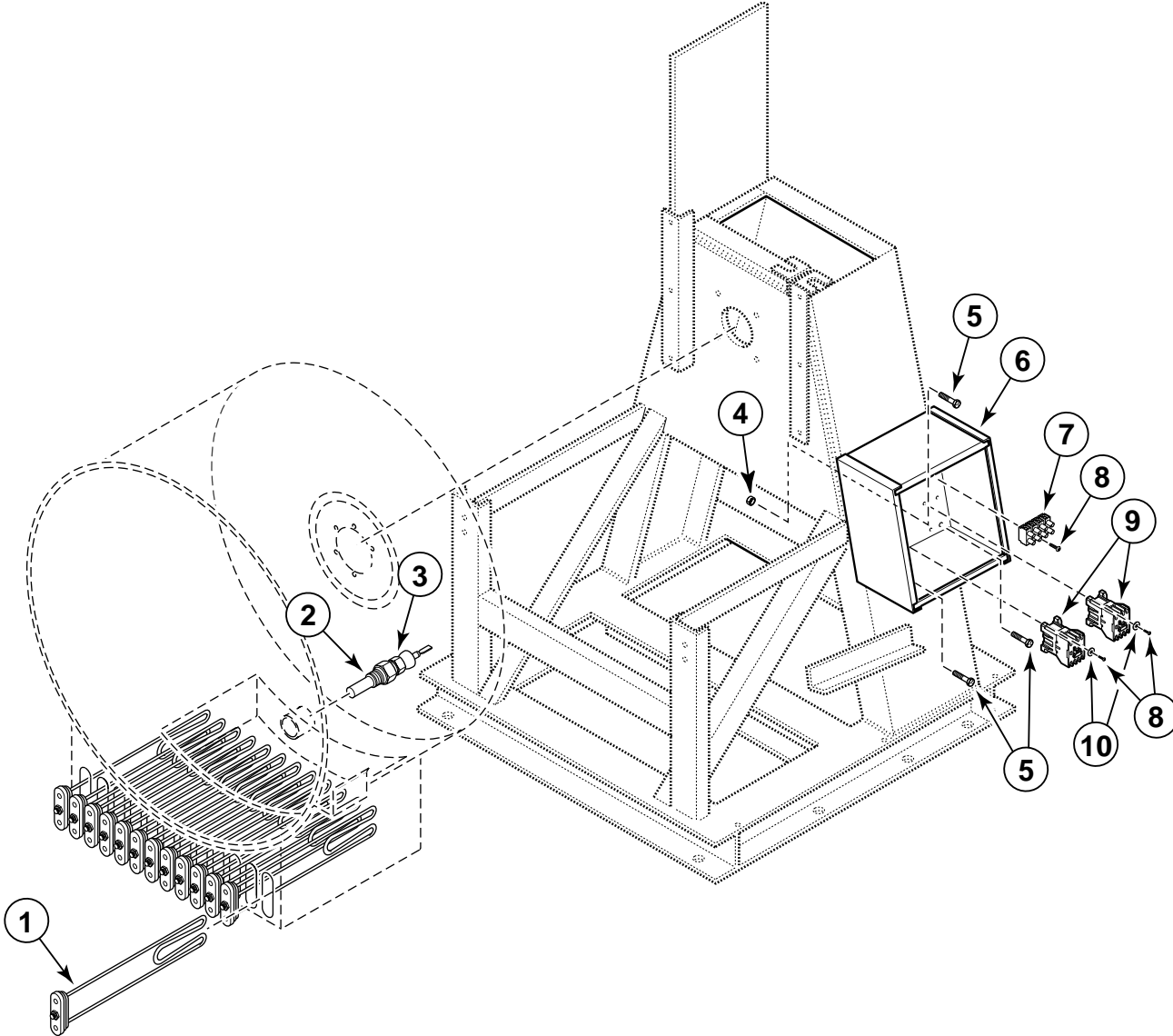
U068PE3B



## A.C. Inverter Drive

REF	PART #	DESCRIPTION	COMMENTS
1	F430904	Screw	
2	F431102	Lockwasher	
3	F432219	Insulator	
4	F633401	A.C. Drive Box	
5	F431100	Washer	
6	F430935	Nut	
7	F430916	Screw	
8	F110106	Cooling Fan	
9	F430231	Nut	
10	F370815	A.C. Inverter Drive	UW60PVQ
	F370818	A.C. Inverter Drive	UW60PVP
	F370838	A.C. Inverter Drive	UW60PVT
11	F430215	Washer	
12	F430317	Nut	
13	F220900	A.C. Drive Guard	Includes Retainer and Filter
14	F140424	A.C. Drive Box Cover	"Q" voltage only
15	F140425	Shield	
16	F430935	Screw	
17	F360124	Transformer	
18	F430215	Nut	
19	F170152	Gasket	
20	F140905	Wire Cover	
21	F140309	Connector	

# Electric Heat Option

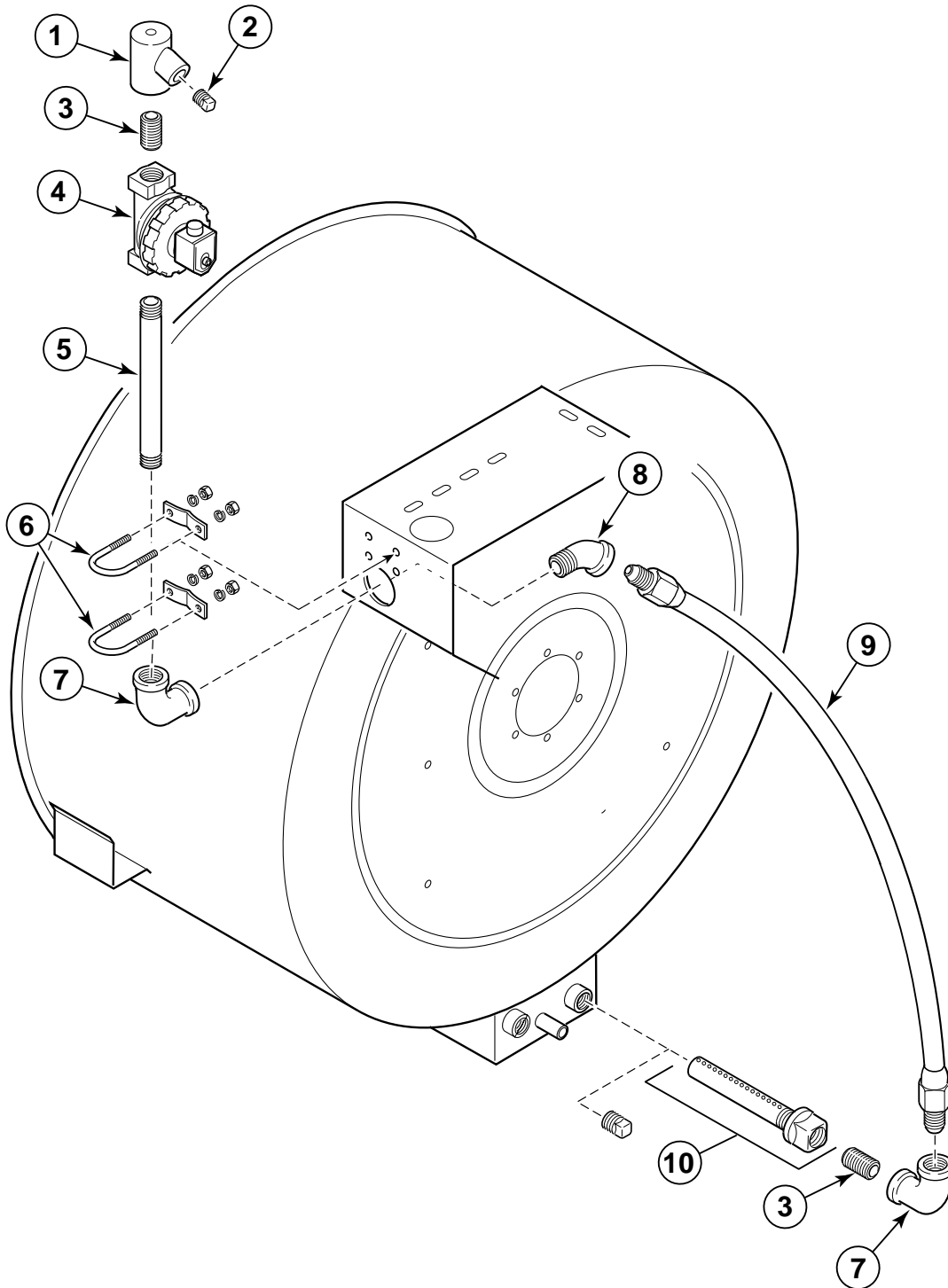


U069PE3C

# Electric Heat Option

REF	PART #	DESCRIPTION	COMMENTS
1	F360205	Heating Element	
2	F421936	Reducer Bushing	
3	F370606	Temperature Probe	
4	F430215	Nut	
5	F430938	Screw	
6	F140413	Electrical Box	
7	F140746	4-Way Block	
8	F430107	Screw	
9	F330150	Contactator	120 Volt
10	F430311	Flat Washer	

# Steam Heat Option



U070PE3C

## Steam Heat Option

REF	PART #	DESCRIPTION	COMMENTS
	F633413	Steam Option Plumbing Kit	120 Volt
	F633413-2	Steam Option Plumbing Kit	220 Volt
1	F270307	Steam Filter	
2	F420409	Plug	
3	F420101	Nipple	
4	F380786	Parker Steam Valve	120 Volt, Repair kit for F380786 Valve is F380984
	F380787	Parker Steam Valve	240 Volt, Repair kit for F380787 Valve is F380984
5	F420719	Nipple	
6	F200401	U-Bolt Clip	Hardware included
7	F420501	Street Elbow	
8	F421108	Elbow	
9	F200153	Steam Hose	Includes fitting
10	F603131	Steam Injection Tube Assembly	

# Parts Index

## A

Adapter	
F421903 .....	31
F422508 .....	35
Air Trap	
F200163 .....	13
A.C. Drive Box	
F633401 .....	39
A.C. Drive Box Cover	
F140424 .....	39
A.C. Drive Guard	
F220900 .....	39
A.C. Inverter Drive	
F370815 .....	39
F370818 .....	39
F370838 .....	39

## B

Balance Switch Bracket	
F601750 .....	15
Basket Assembly	
F632015 .....	23
Battery Backup	
F191101 .....	5
Belt	
F280353 .....	37
Bolt	
F430137 .....	37
F430924 .....	23
Bottom Fill Tube Assembly	
F421202 .....	31
Bracket	
F601982 .....	17
F606667 .....	17
Bushing	
F280257 .....	37
F430416 .....	19
Buzzer	
F300203 .....	13

## C

Cage Wrap	
F633205 .....	17
Cap Nut	
F430214 .....	19, 21
Chemical Supply Cup	
F150385 .....	25
F150386 .....	25
Chrome Elbow	
F422319 .....	19
Clamp/Shell Band Bracket	
F602901 .....	19
Coil	
F380900 .....	27

Collar Assembly	
F602505 .....	23
Condensation Gutter	
F150408 .....	23
Conduit Connector	
F140311 .....	11
Connector	
F140309 .....	39
F422808 .....	27
Contact Block Switch	
F340429 .....	5
Contacto	
F330148 .....	7
F330150 .....	41
Control Module Assembly	
F00918 .....	13
F01212 .....	13
F01457-MDL .....	5, 7, 9, 11
F01503-MDL .....	5, 7, 9, 11
F01541-MDL .....	5, 7, 9, 11
Control Module Cabinet	
F604711-2 .....	9, 11
Control Module Cabinet Subassembly	
F604711-2 .....	7
Control Module Cabinet Top	
F601995 .....	5, 7, 9, 11, 13
Control Module Cabinet Tray	
F608385 .....	5, 7
Cooling Fan	
F110106 .....	39

## D

Decal	
F230202 .....	5, 7, 9, 11, 13
F230302 .....	17
F230303 .....	19
F230652 .....	19
F230677 .....	11
F230745 .....	37
F230754 .....	27
F231020 .....	25
F231065 .....	9
F231083 .....	5
Door	
F601318 .....	19
Door Box	
F606630 .....	21
Door Box Assembly	
F603665 .....	21
Door Box Bracket	
F601129 .....	21
Door Bumper	
F601307 .....	19
Door Butt	
F150210 .....	19
Door Butt Shims	
F610694 .....	19
Door Gasket	
F170145 .....	19

Door Glass	
F290200 .....	19
Door Glass Gasket	
F170117 .....	19
Door Glass Retainer	
F601239 .....	19
Door Handle	
F150203 .....	21
Door Hinge	
F601045 .....	19
Door Hinge Pin	
F601815 .....	19
Door Interlock Switch	
F340900 .....	21
Door Kit	
F730539 .....	19
Door Latch Shims	
F602058 .....	21
Door Lock Solenoid	
F300118 .....	21
Door Push Handle Kit	
F746200-1 .....	19
F746201-1 .....	19
Double Pole Key Switch Kit	
F730186 .....	9
Drain Assembly	
F633230 .....	35
F633230-1 .....	35
Drain Hose	
F150442 .....	35
Drain Valve Motor	
F380932 .....	35
F380933 .....	33, 35
Drain Valve Motor Cover	
F602761 .....	35
Dry Supply Insert	
F150388 .....	25
Dual Fuseholder	
F350312 .....	13

---

## E

Elbow	
F420502 .....	29, 31
F420509 .....	31
F421108 .....	43
Elbow Hose	
F150438 .....	35
Electrical Box	
F140413 .....	41
Emergency Switch Pushbutton	
F340706 .....	5
Extension Arm	
F606810 .....	21

---

## F

Fastener	
F140602 .....	5
Fiber Optic Cable	
F604713 .....	9

Fiber Optic Feed-thru	
F140575 .....	9
F140576 .....	9
Fiberlock Nut	
F430200 .....	37
Fill Plumbing Assembly	
F633146 .....	31
F633146-1 .....	31
F633146-2 .....	31
F633146-3 .....	31
F633146-4 .....	31
F633146-5 .....	31
F633146-6 .....	31
F633146-7 .....	31
Fill Tube	
F605793 .....	31
Fill Valve	
F381700 .....	31
Filter Assembly	
F270305 .....	33
F270306 .....	33
Filter Replacement	
F270406 .....	33
Filter Screen	
F270300 .....	33
Flat Ribbon Cable	
F140218 .....	5
F140219 .....	5
F140223 .....	5
Flat Washer	
F430301 .....	15, 23, 37
F430311 .....	41
F430317 .....	23, 37
Flow Restrictor	
F380106 .....	27
Frame Assembly	
F633436 .....	23
Front Bearing Kit	
F745009 .....	37
Front Shell Assembly	
F603428 .....	23
Front Shell Band	
F603344 .....	23
Front Shell Gasket	
F170120 .....	23
Fuse	
F350115 .....	7, 9, 13
Fuse Board Cover	
F140421 .....	7
Fuse Holder	
F350304 .....	9
F/X Connector	
F140309 .....	11

---

## G

Gasket	
F170152 .....	39
F170401 .....	17, 25
F270407 .....	33
Gate Valve	
F380500 .....	31
Grease Fitting	
F190701 .....	37

Grease Manifold	
F320326 .....	37
Grease Tube Fittings	
F422101 .....	37
Grease Tubing	
F200190 .....	37
Ground Decal	
F230630 .....	11
Ground Lug	
F140734 .....	11

---

## H

Handle	
F605324 .....	17
Heating Element	
F360205 .....	41
Hose	
F150309 .....	35
F150469 .....	25
F200110 .....	27
Hose Adapter	
F421908 .....	29
F421909 .....	31
Hose Barb	
F421929 .....	35
F421951 .....	31
Hose Clamp	
F200201 .....	35
F200202 .....	27
F200207 .....	35
F200213 .....	25, 35
F200222 .....	31
F200224 .....	31
Hot Water Hose Connector	
F200302 .....	27

---

## I

Input Power Decal	
F230677 .....	11
Input Power Terminal Block	
F140746 .....	11
Insulator	
F432219 .....	39
Insulator Feed-thru Bushing	
F140909 .....	11, 13
Interface Board	
F370577 .....	7
Interface Connector	
F140578 .....	5, 7
Interlock Switch Spacer	
F601055 .....	21

---

## J

Jumper Kit	
F784003 .....	7

---

## K

Keymode Switch Decal	
F230678 .....	9

---

## L

Lockwasher	
F430305 .....	9, 23
F430321 .....	23
F431100 .....	19, 21, 25
F431102 .....	39
F431108 .....	5, 7, 13
F431113 .....	5, 7, 9, 11
Lower Door Latch	
F150204 .....	21
Lower Door Latch Bracket	
F150202 .....	21

---

## M

Magnet	
F340703 .....	21
Magnetic Position Switch	
F340702 .....	21
Main Drive	
F380918 .....	35
Mainshaft Key	
F430801 .....	37
Mainshaft Pulley	
F280255 .....	37
Micro Computer Cover	
F606826 .....	5
Microswitch Trip Lever	
F603005 .....	21
Momentary Switch	
F340412 .....	5
Motor	
F220214 .....	37
Motor Key	
F430802 .....	37
Motor Pulley	
F280146 .....	37
Motor Pulley Bushing	
F280211 .....	37

---

## N

Nipple	
F420101 .....	29, 31, 43
F420103 .....	29
F420105 .....	29, 31
F420107 .....	31
F420719 .....	43
Nut	
F140340 .....	25
F422508 .....	25
F430116 .....	11
F430205 .....	15, 19, 21, 23, 37
F430206 .....	15
F430211 .....	17, 23



F430212.....	23
F430215.....	17, 39, 41
F430231.....	5, 21, 39
F430232.....	21
F430317.....	39
F430606.....	17
F430935.....	9, 39
F430996.....	21
F431000.....	5
F431006.....	11
F431017.....	13
F431022.....	5, 7, 11, 19
F431804.....	17
Nylon Plug	
F140527.....	11

## O

O-Ring	
F170208.....	25
F170215.....	25

## P

Parker Steam Valve	
F380786.....	43
F380787.....	43
Pipe	
F602365-1.....	35
F610029.....	35
F610037.....	35
F610824.....	35
Plastic Connector	
F422500.....	13
Plug	
F420408.....	31
F420409.....	43
Plug Cap	
F190304.....	25
Program Key	
F370709.....	9
Push Button Base	
F340705.....	5
Push Handle Bracket	
F603683.....	21
PVC Air Line	
F422404.....	13

## R

RC Network Filter	
F330217.....	5, 7, 21
Rear Bearing Kit	
F745010.....	37
Rear Panel	
F609745.....	17
Reducer Bushing	
F421936.....	41
Relay	
F330227.....	7
Resistor Assembly	
F610765.....	13

Retainer Seal	
F601221.....	23
Rivet	
F431210.....	19
Roll Pin	
F430415.....	17
Rub Rail	
F150408.....	17
Rub Rail Insert	
F150397.....	17

## S

Screw	
F430103.....	19
F430107.....	41
F430109.....	15, 23
F430124.....	15
F430168.....	21
F430171.....	9, 11
F430174.....	5, 7, 11
F430500.....	23
F430901.....	17
F430904.....	5, 7, 13, 39
F430909.....	21
F430913.....	23
F430916.....	11, 21, 37, 39
F430917.....	19, 21, 25
F430920.....	13
F430921.....	17
F430927.....	21
F430928.....	5, 7, 9, 11, 13
F430935.....	39
F430938.....	41
F430948.....	27
F430956.....	21
F430993.....	37
F430995.....	21
F431005.....	21
F431022.....	5
F432234.....	17
Scupper Assembly Kit with Plate	
F741600.....	35
Scupper Hose	
F200107.....	35
Sealing Washer	
F431112.....	23
F431116.....	23
Set Screw	
F430502.....	19
Shell Assembly	
F603554.....	23
F603555.....	23
F633208.....	19, 23
Shell Band Gap Plate	
F601216.....	23
Shell Mounting Bracket	
F601806.....	23
Shellplate Re-enforcement Kit	
F741600.....	23
Shield	
F140425.....	39
Side Panel	
F630323.....	17

Soap Dispenser Shroud F633032 .....	25
Soap Injection Nozzle Kit F730168 .....	25
Split Lock Washer F430305 .....	15, 37
F431100 .....	17
Spray Plumbing Assembly F633150 .....	29
F633150-1 .....	29
F633150-2 .....	29
F633150-3 .....	29
F633150-4 .....	29
F633150-5 .....	29
F633150-7 .....	29
Spray Rinse Hose Kit F730026 .....	19
Spray Rinse Nozzle Kit F730077 .....	19
Spray Tube Assembly F610364 .....	19
Spray Valve F381702 .....	29
Spray Valve Repair Kit F380991 .....	31
F380993 .....	29
Spring Lock Washer F430322 .....	23
Steam Filter F270307 .....	43
Steam Hose F200153 .....	43
Steam Injection Tube Assembly F603131 .....	43
Steam Option Plumbing Kit F633413 .....	43
F633413-2 .....	43
Strain Relief Connector Assembly F749802 .....	25
Strain Relief Plug F170165 .....	25
Strainer F270200 .....	27
Street Elbow F420500 .....	29, 31
F420501 .....	43
Supply Dispenser Lid F150384 .....	25
Supply Dispenser Lid Gasket F170158 .....	25
Supply Nozzle F380300 .....	25
Supply Nozzle Nut F430224 .....	25
Supply Polypropylene Dispenser F150383 .....	25
Supply Valve Box Cover F433339 .....	9
F633339 .....	5, 7, 11, 13
Switch F340900 .....	15

---

## T

Tag F230215-2 .....	11
Tee F420400 .....	31
F420401 .....	29
F422801 .....	35
F422803 .....	35
Temperature Probe F370606 .....	15, 41
Terminal Strip F140738 .....	9, 11, 13
Thermal Overload Neon Light F350400 .....	9
Tie F140605 .....	5, 37
F140606 .....	5
Top Latch Bracket F150201 .....	21
Transformer F360124 .....	39
Tube Connector F422106 .....	29
Tube Holding Assembly F602901 .....	23
Tube Holding Clamp F602880 .....	19

---

## U

U-Bolt F200401 .....	29, 31
U-Bolt Clip F200401 .....	43

---

## V

Vacuum Breaker F380117 .....	35
F380800 .....	29, 31

---

## W

Warning Plate F230200 .....	19
Washer F200500 .....	33
F430215 .....	39
F430317 .....	17
F430327 .....	37
F431100 .....	39
F431118 .....	21
F431123 .....	5, 7, 13
F431125 .....	5, 9, 21
F431133 .....	25
F431142 .....	21
F431147 .....	25
Water Supply Hose F200164 .....	33

WE-6 Keypad Decal F230724 .....	5
WE-6 Microcomputer Kit F370534-10 .....	5
WE-6 Module Front Decal F230721 .....	5
WE-6 Solid State Fuse/Relay Board F370535 .....	7
Wire Cover F140905 .....	39

---

## ***Numerics***

4-Way Block F140746 .....	41
4-Way Supply Valve F380715 .....	27