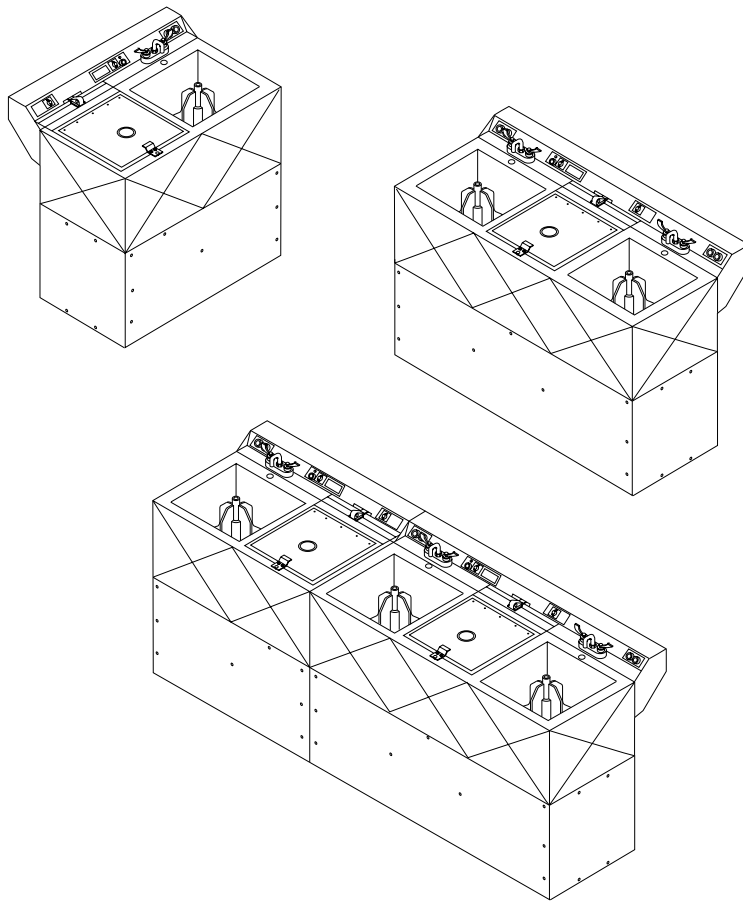


Washer-Extractor

UniMac Carwash

See Page 3 for Model Identification

Parts



U061C

Table of Contents

Title	Page
Parts Ordering Information	2
Nameplate Location	2
Model Identification	3
UM1202 Conversion Kit	4
Panel, Tub and Frame Assembly (Models UM100 and UM1202)	6
Panel, Tub and Frame Assembly (Models UM202 and UM1202)	8
Lid Assembly	10
Lid Lock Assembly	12
Lock Assembly	14
Lid, Saddle and Hinge Assembly	16
Control Panel Assembly	18
Contactor Box Assembly (with A and B Contactors)	20
Contactor Box Assembly (with B and J Contactors)	22
Drain, Spray and Rinse Assembly (Models UM100 and UM1202)	24
Drain, Spray and Rinse Assembly (Models UM202 and UM1202)	26
Drain Valve Assembly (Models UM100 and UM1202)	28
Drain Valve Assembly (Models UM202 and UM1202)	30
Float Valve Assembly	32
Faucet Assembly	34
Motor Assembly (Elmo Motor)	36
Motor Assembly (Baldor Motor)	38
Transmission and Agitator Assembly (used from 1985-1995)	40
Transmission and Agitator Assembly (used from 1995-May 1998)	42
Transmission and Agitator Assembly (used since June 1998)	44
Retro Fit Kit Assembly	46
Parts Index	49

© Copyright 1999, Alliance Laundry Systems LLC

All rights reserved. No part of the contents of this book may be reproduced or transmitted in any form or by any means without the expressed written consent of the publisher.

Parts Ordering Information

Alliance Laundry Systems is not responsible for personal injury or property damage resulting from improper service. Review all service information before beginning repairs.

If literature or replacement parts are required, contact the source from whom the machine was purchased or contact Alliance Laundry Systems at (920) 748-3950 for the name of the nearest authorized parts distributor.

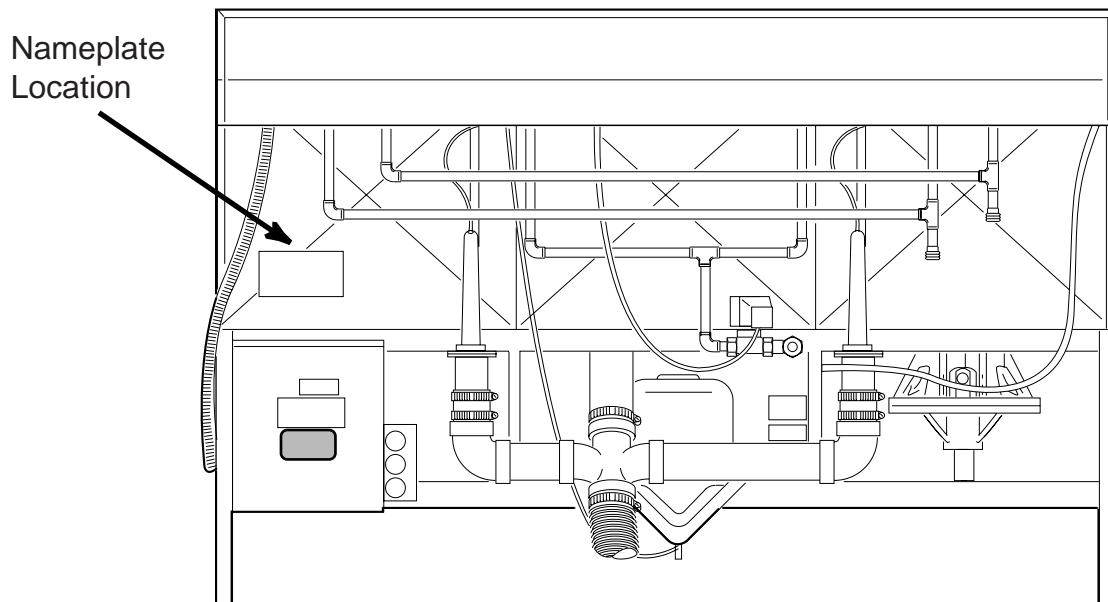
For technical assistance, call any of the following numbers:

(850) 718-1035
(850) 718-1026
Marianna, Florida
(920) 748-3121
Ripon, Wisconsin

Nameplate Location

When calling or writing about your product, be sure to mention model and serial numbers. Model and serial

numbers are located on nameplate(s) as shown.

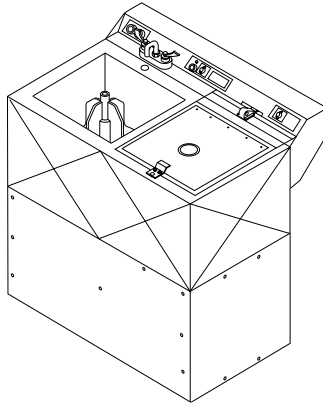


U105PE3A

Model Identification

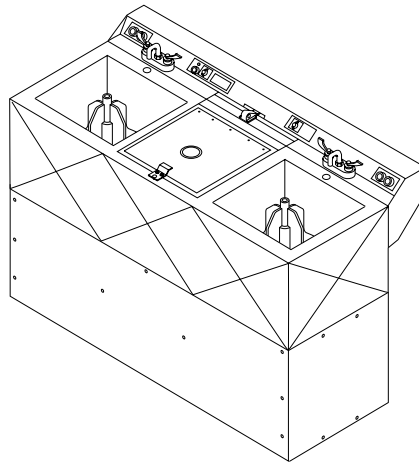
Information in this manual is applicable to these washer-extractors:

UM100



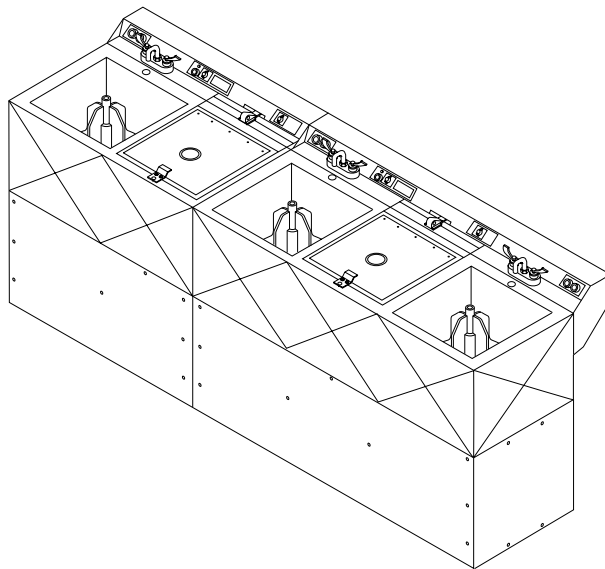
U062C

UM202



U063C

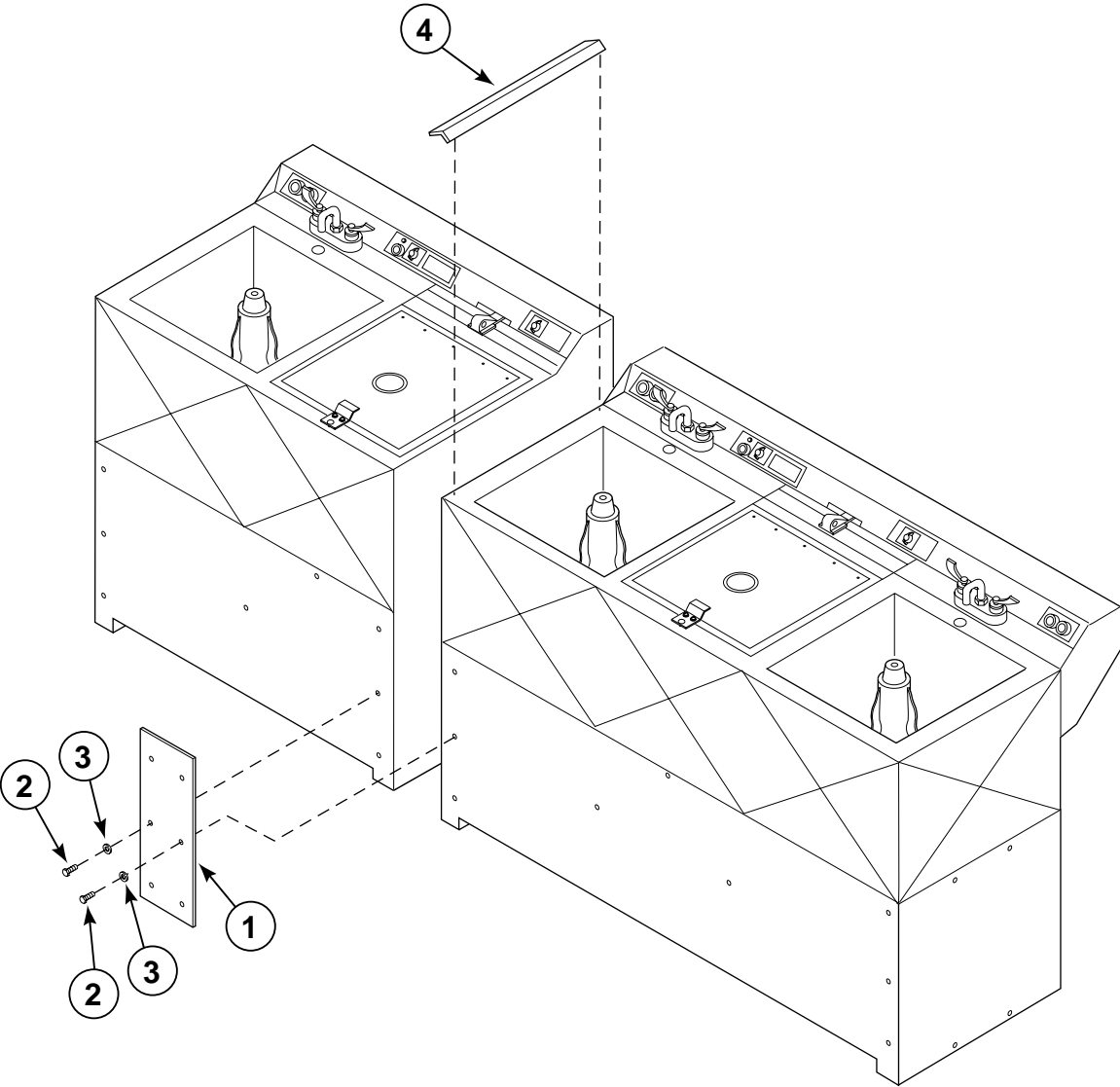
UM1202



U064C

NOTE: The UM1202 consists of one UM100 and one UM202.

UM1202 Conversion Kit

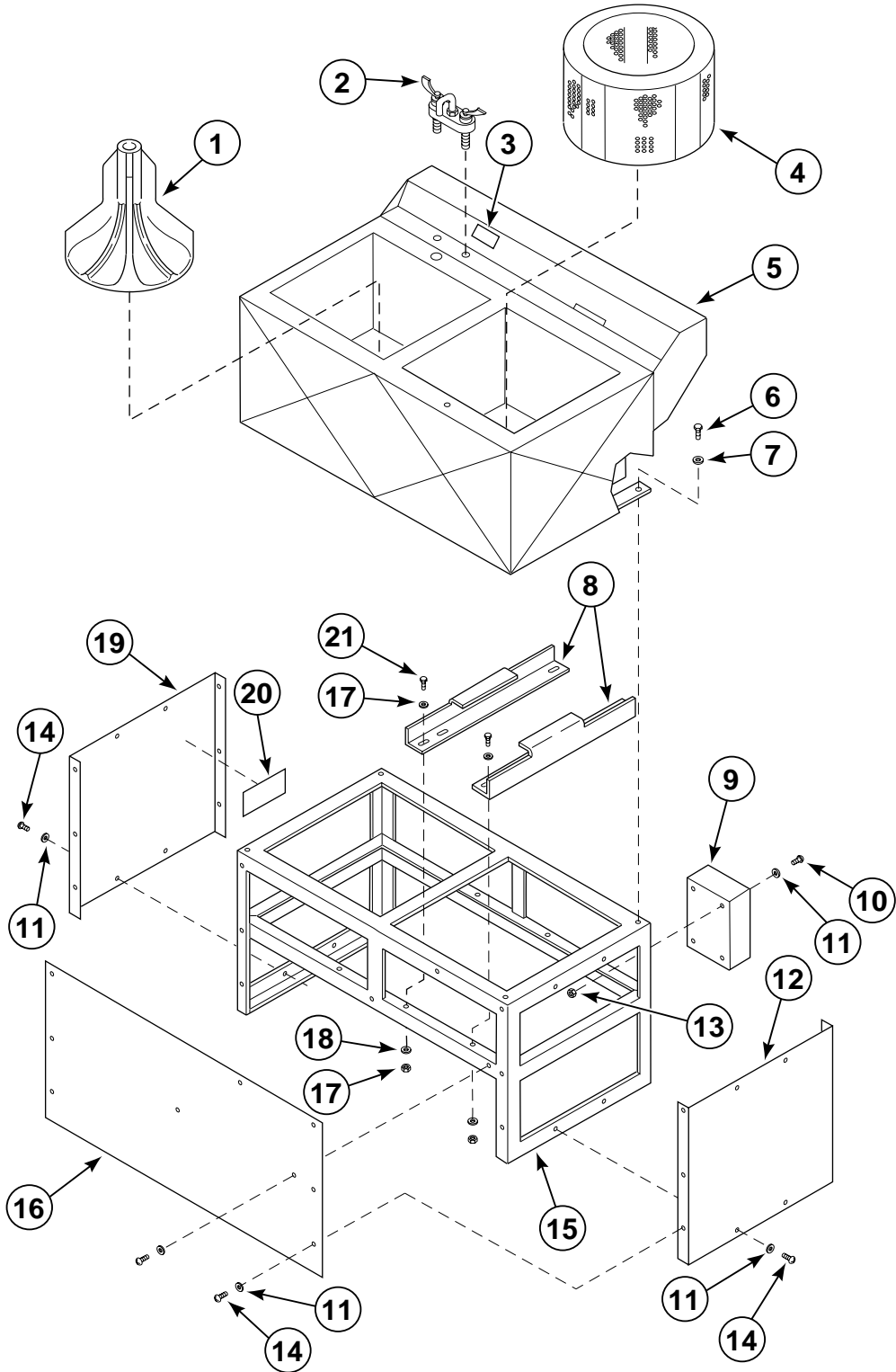


U088Pe3a

UM1202 Conversion Kit

REF	PART #	DESCRIPTION	COMMENTS
	F730156	Conversion Kit	
1	F601063	Connector	
2	F430923	Screw	
3	F431104	Lockwasher	
4	F602498	Splash Guard Assembly	

Panel, Tub and Frame Assembly (Models UM100 and UM1202)

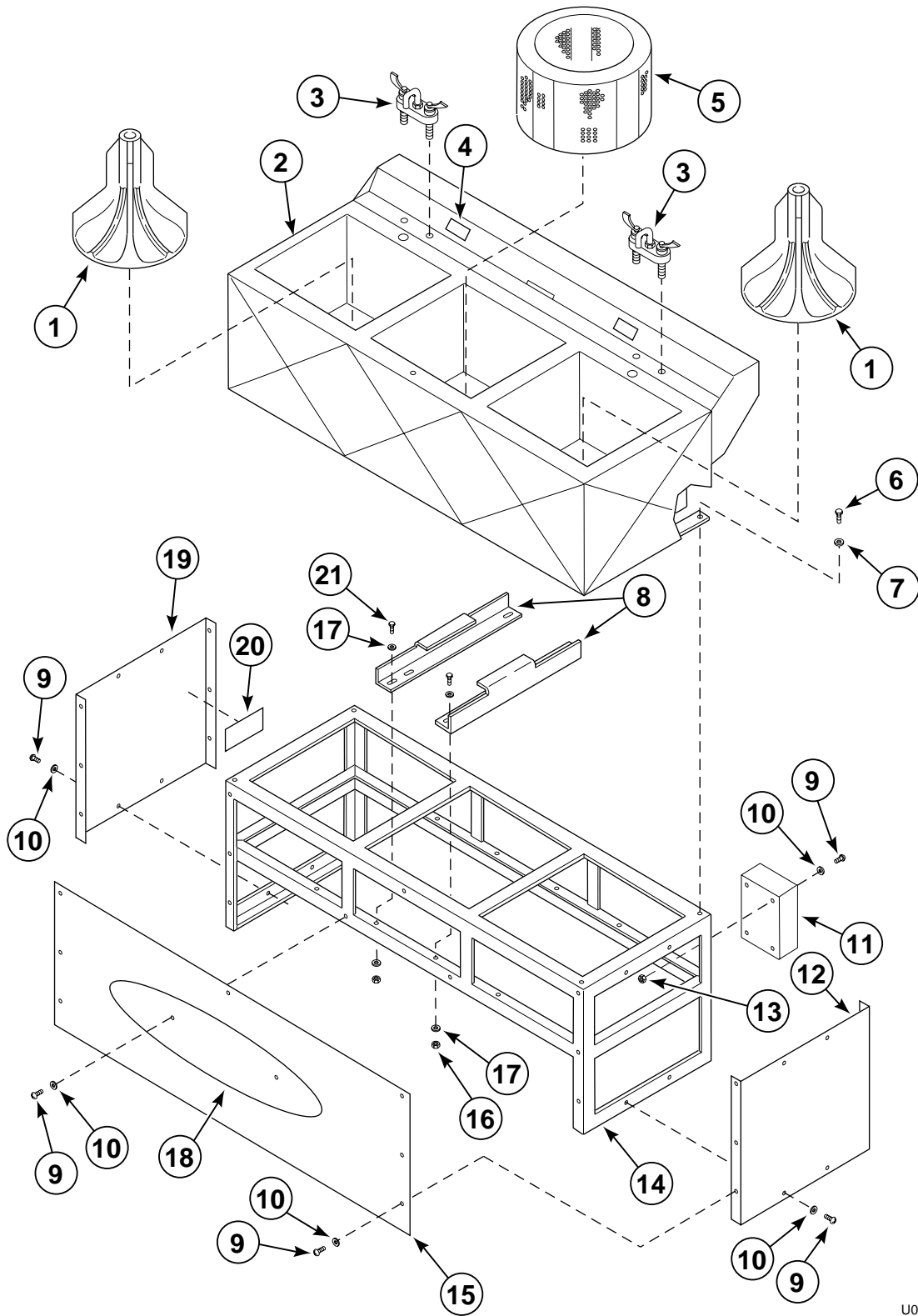


U103Pe3a

Panel, Tub and Frame Assembly (Models UM100 and UM1202)

REF	PART #	DESCRIPTION	COMMENTS
	F601139	Control Panel Cover	
1	F180300	Agitator	
2	F730088	Faucet Kit	
3	F231442	Decal	
4	F602568	Extractor Basket	
5	F602493	Tub	
6	F430939	Screw	
7	F431112	Washer	
8	F601486	Rail Assembly	
9	F140413	Contacto Box	
10	F430115	Screw	
11	F431104	Washer	
12	F602496	End Panel	
13	F430204	Nut	
14	F430923	Screw	
15	F601260	Frame Assembly	
16	F601090	Front Panel	
17	F430301	Washer	
18	F430218	Nut	
19	F430204	Nut	
20	F230942	Serial Decal	
21	F430116	Bolt	

Panel, Tub and Frame Assembly (Models UM202 and UM1202)

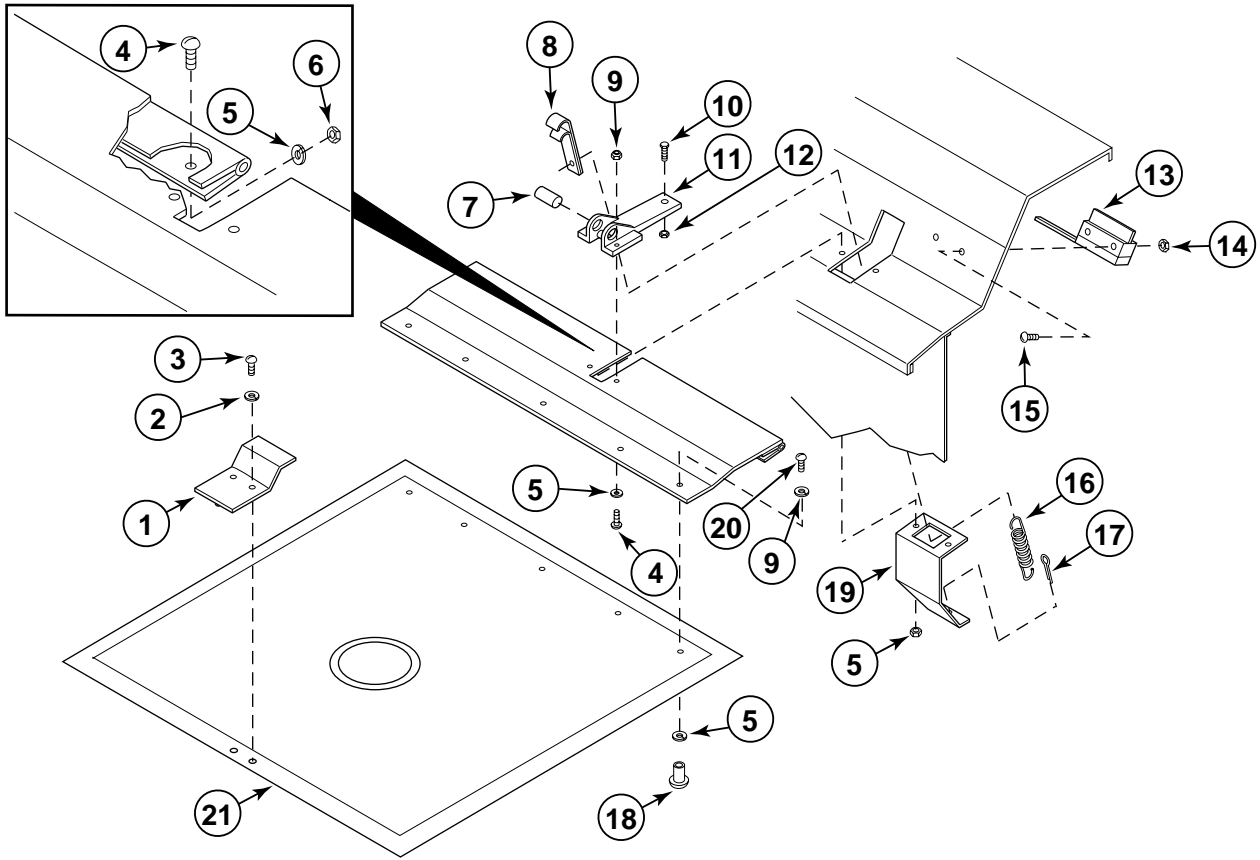


U099Pe3a

Panel, Tub and Frame Assembly (Models UM202 and UM1202)

REF	PART #	DESCRIPTION	COMMENTS
1	F180300	Agitator	
2	F602494	Tub Assembly	
3	F730088	Faucet Kit	
4	F231442	Decal	
5	F602568	Extractor Basket	
6	F430939	Screw	
7	F431112	Washer	
8	F601486	Rail Assembly	
9	F430923	Screw	
10	F431104	Washer	
11	F604259	Contactactor Box	
12	F602496	End Panel	
13	F430204	Nut	
14	F601259	Frame Assembly	
15	F601140	Front Panel	
16	F430218	Nut	
17	F430301	Washer	
18	F230806	Decal	
19	F430204	Nut	
20	F230942	Serial Decal	
21	F430116	Bolt	

Lid Assembly

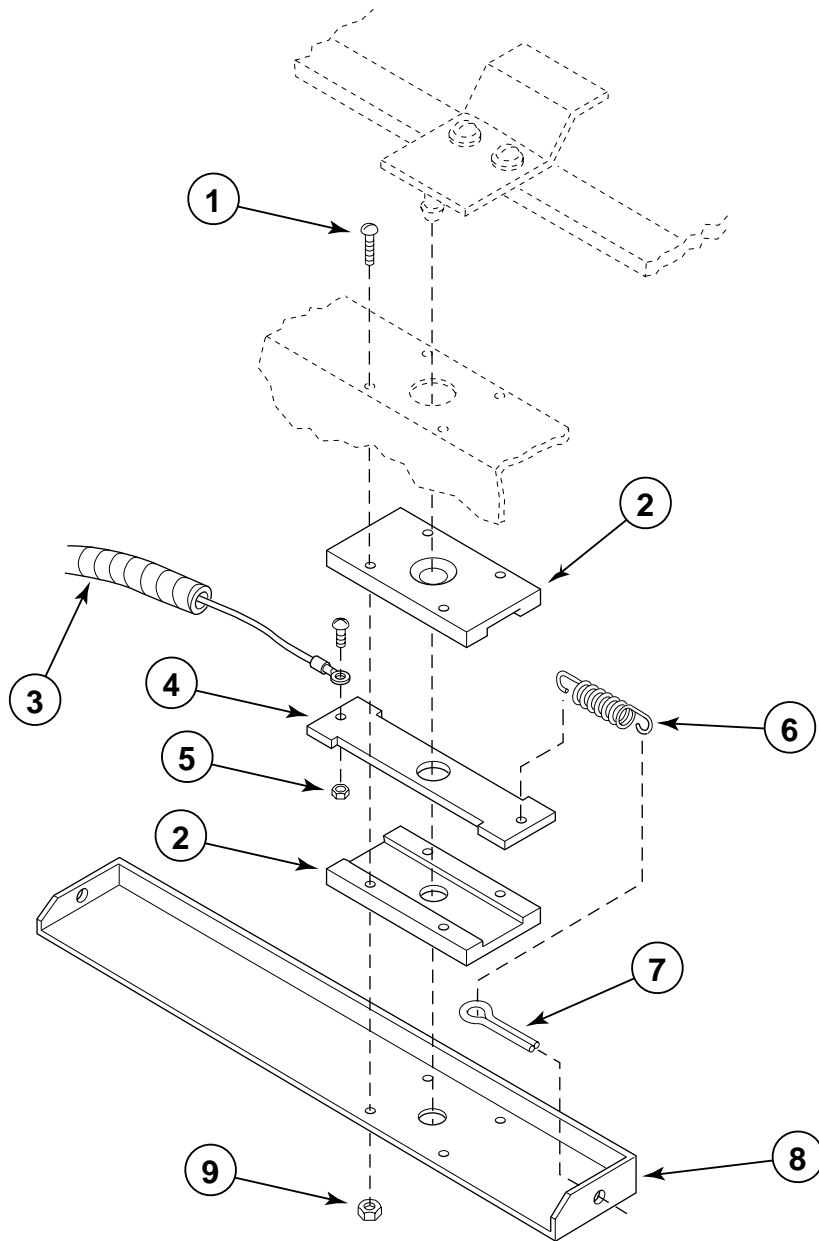


U086PE3B

Lid Assembly

REF	PART #	DESCRIPTION	COMMENTS
	F730087	Post and Screw Kit	Lid hardware
	F730370	Extractor Lid Kit	UM100
	F730020	Extractor Lid Kit	UM202
1	F605868	Lid Handle	
2	F431102	Washer	
3	F430920	Screw	
4	F430903	Screw	
5	F431106	Nut	
6	F431000	Nut	
7	F601352	Saddle Pin	
8	F601033	Spring Bracket	
9	F431104	Washer	
10	F430903	Screw	
11	F150206	Saddle Hinge	
12	F430217	Nut	
13	F340903	Microswitch	
14	F431022	Nut	
15	F430939	Screw	
16	F310122	Spring	
17	F431202	Cotter Pin	
18	F430147	Post Rivet	
19	F601958	Lid Lock Spring Bracket	
20	F430986	Screw	
21	F170410	Extractor Lid	

Lid Lock Assembly

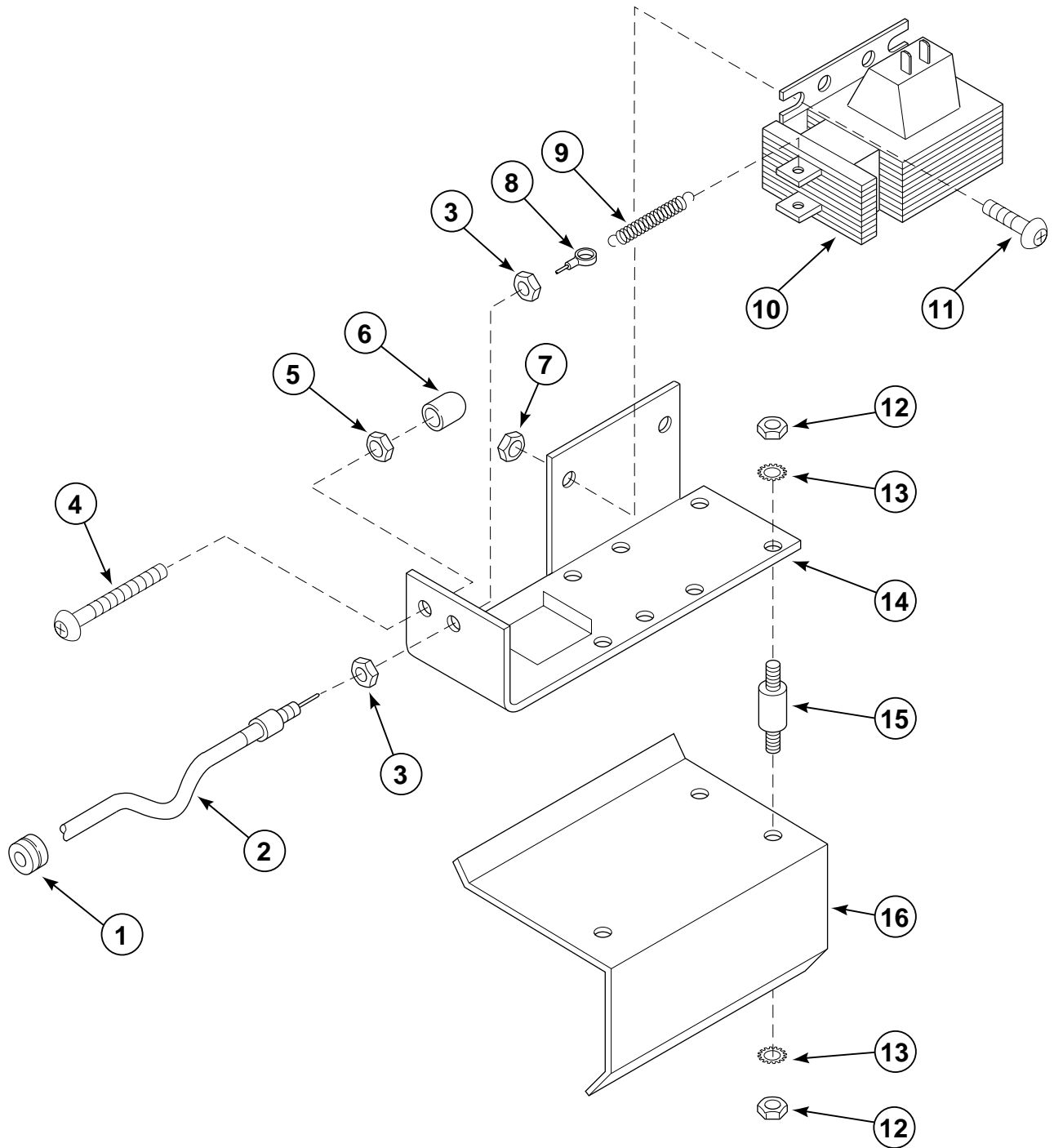


U087PE3A

Lid Lock Assembly

REF	PART #	DESCRIPTION	COMMENTS
1	F430994	Screw	
2	F602513	Lid Lock Carrier Slide	
3	F190800	Lid Lock Cable	
4	F602514	Lid Lock Slide	
5	F431210	Nut	
6	F310128	Lid Lock Spring	
7	F431216	Cotter Pin	
8	F605388	Cable Support Bracket	
9	F431017	Nut	

Lock Assembly

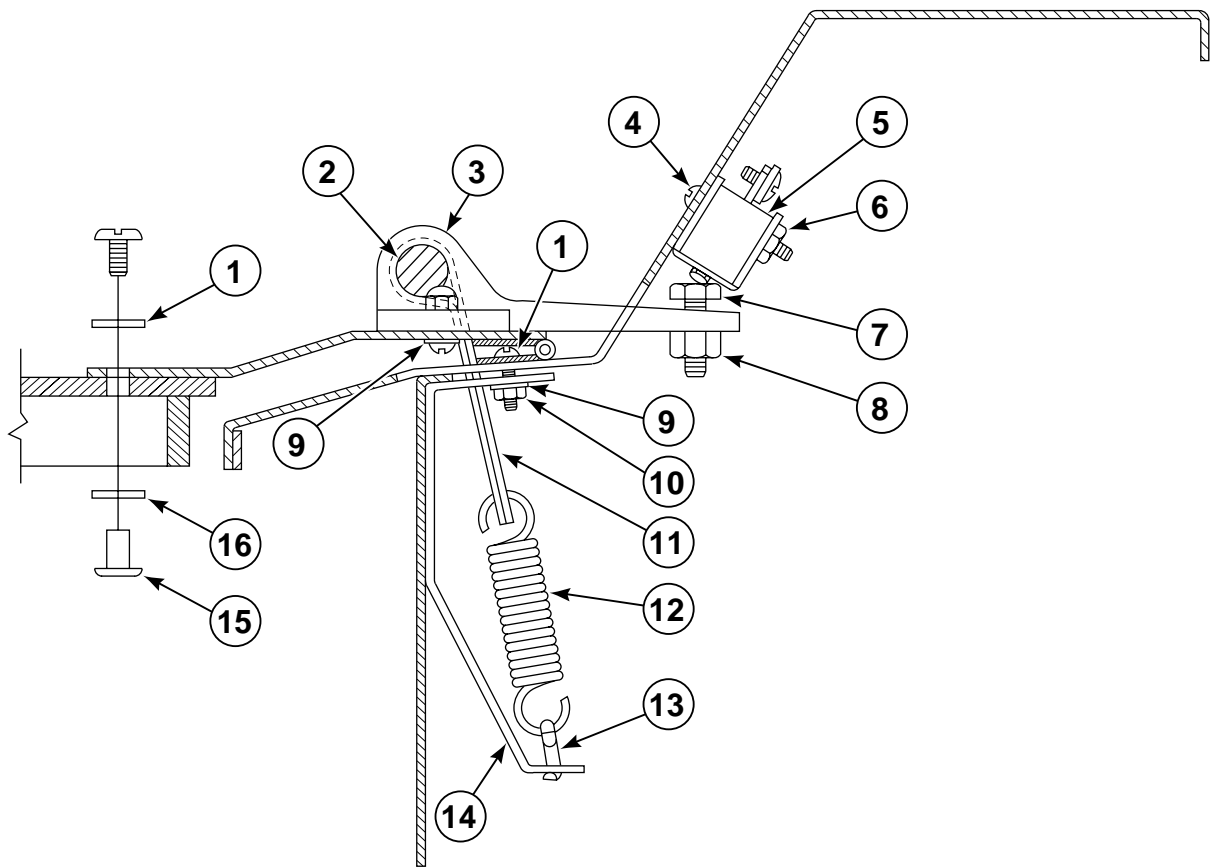


U100Pe3a

Lock Assembly

REF	PART #	DESCRIPTION	COMMENTS
1	F300106	Lid Lock Solenoid	120 Volt
	F300107	Lid LockSolenoid	240 Volt
2	F310105	Lid Lock Spring	
3	F430401	Cotter Pin	
4	F430209	Nut	
5	F430106	Screw	
6	F602483	Mounting Bracket Assembly	
7	F430220	Nut	
8	F431000	Nut	
9	F431106	Lockwasher	
10	F432200	Mount	
11	F601184	Lid Lock Mounting Bracket	
12	F170601	Grommet	
13	F190800	Lid Lock Cable	
14	F430966	Screw	
15	F431005	Nut	
16	F190310	Cap	

Lid, Saddle and Hinge Assembly

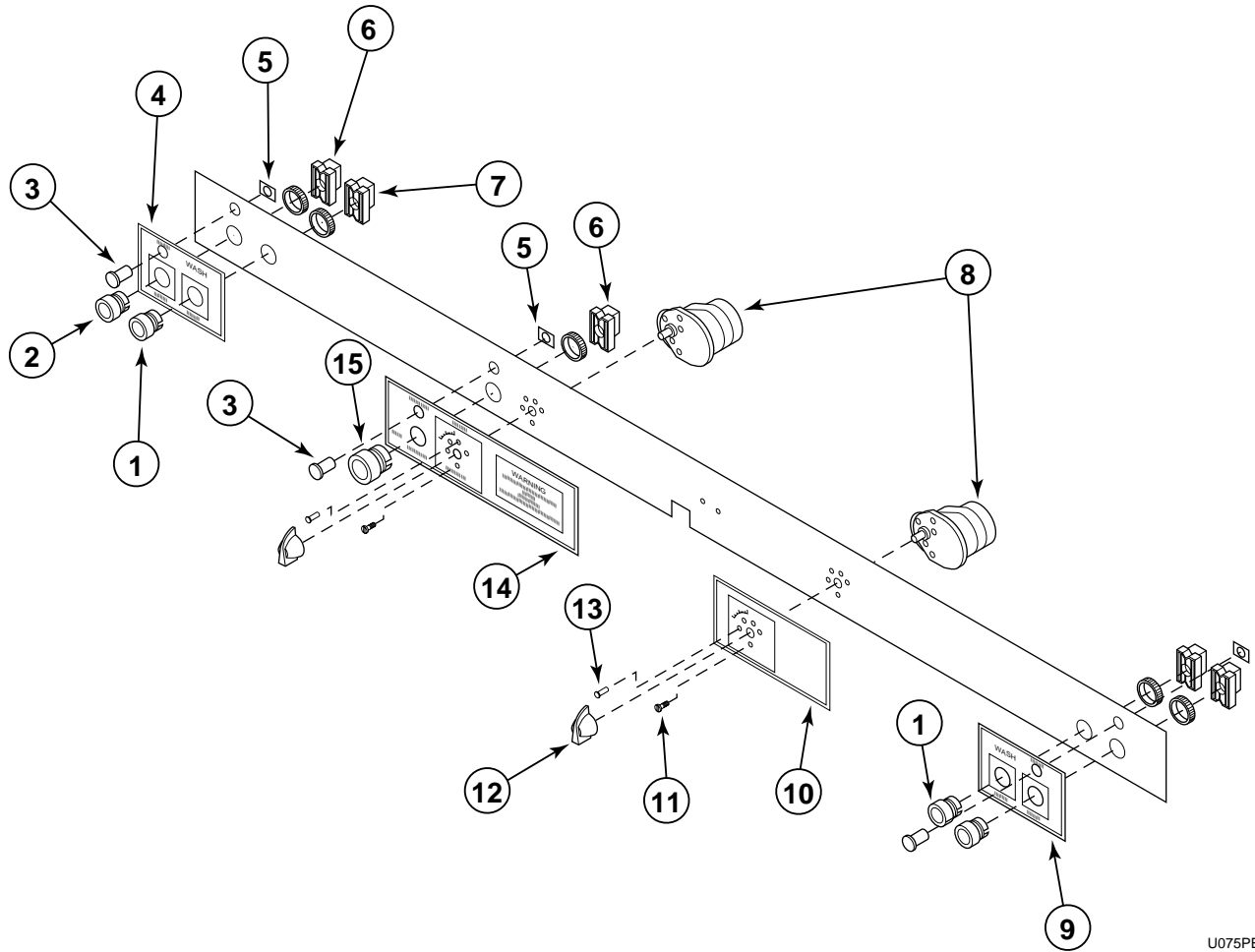


U089PE3B

Lid, Saddle and Hinge Assembly

REF	PART #	DESCRIPTION	COMMENTS
	F730370	Extractor Lid Kit	UM100
	F730020	Extractor Lid Kit	UM202
1	F431104	Washer	
2	F601352	Saddle Pin	
3	F150206	Saddle Hinge	
4	F430944	Screw	
5	F340903	Microswitch	
6	F431022	Nut	
7	F430939	Screw	
8	F431005	Nut	
9	F431400	Screw	
10	F430903	Screw	
11	F601033	Spring Bracket	
12	F310122	Spring	
13	F431202	Cotter Pin	
14	F601958	Lid Lock Spring Bracket	
15	F730087	Post and Screw Kit	
16	F431106	Washer	

Control Panel Assembly

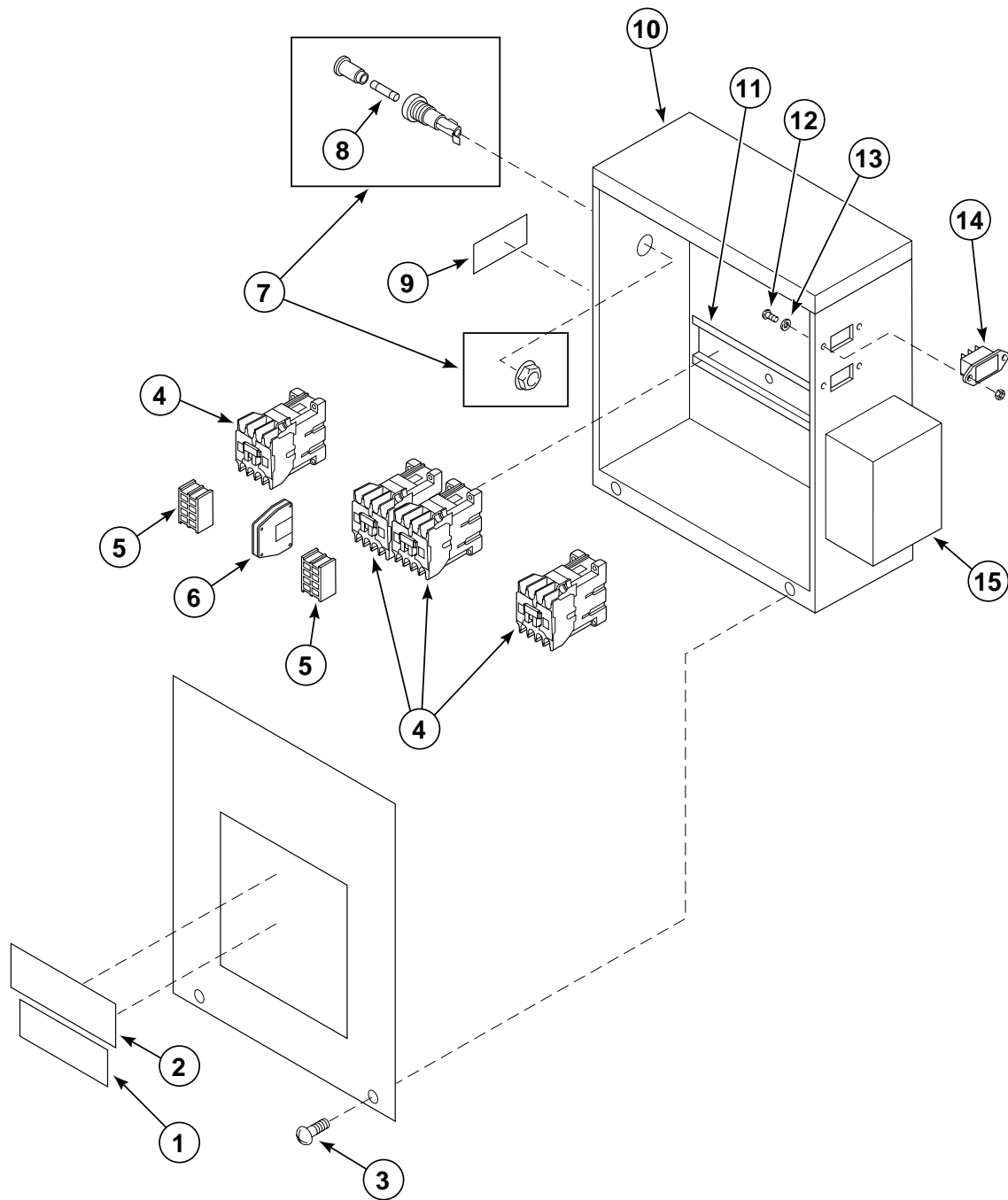


U075PE3B

Control Panel Assembly

REF	PART #	DESCRIPTION	COMMENTS
	F777800	Combo Timer Kit	110 Volt
1	F340708	Pushbutton Switch	Red
2	F340707	Pushbutton Switch	Green
3	F350412	Indicator Light	Red Neon
4	F230732	Decal	
5	F430604	Nut	
6	F340428	Contactator	20 Amp, N.O.
7	F340429	Contactator	20 Amp, N.C.
8	F730201	Timer Kit	110 Volt, 60 Hertz
	F730202	Timer Kit	220-240 Volt, 50/60 Hertz
9	F230733	Decal	
10	F230731	Decal	
11	F430998	Screw	
12	F330506	Timer Knob	
13	F432213	Rivnut	
14	F230730	Decal	
15	F340709	Pushbutton Switch	Black

Contactor Box Assembly (with A and B Contactors)

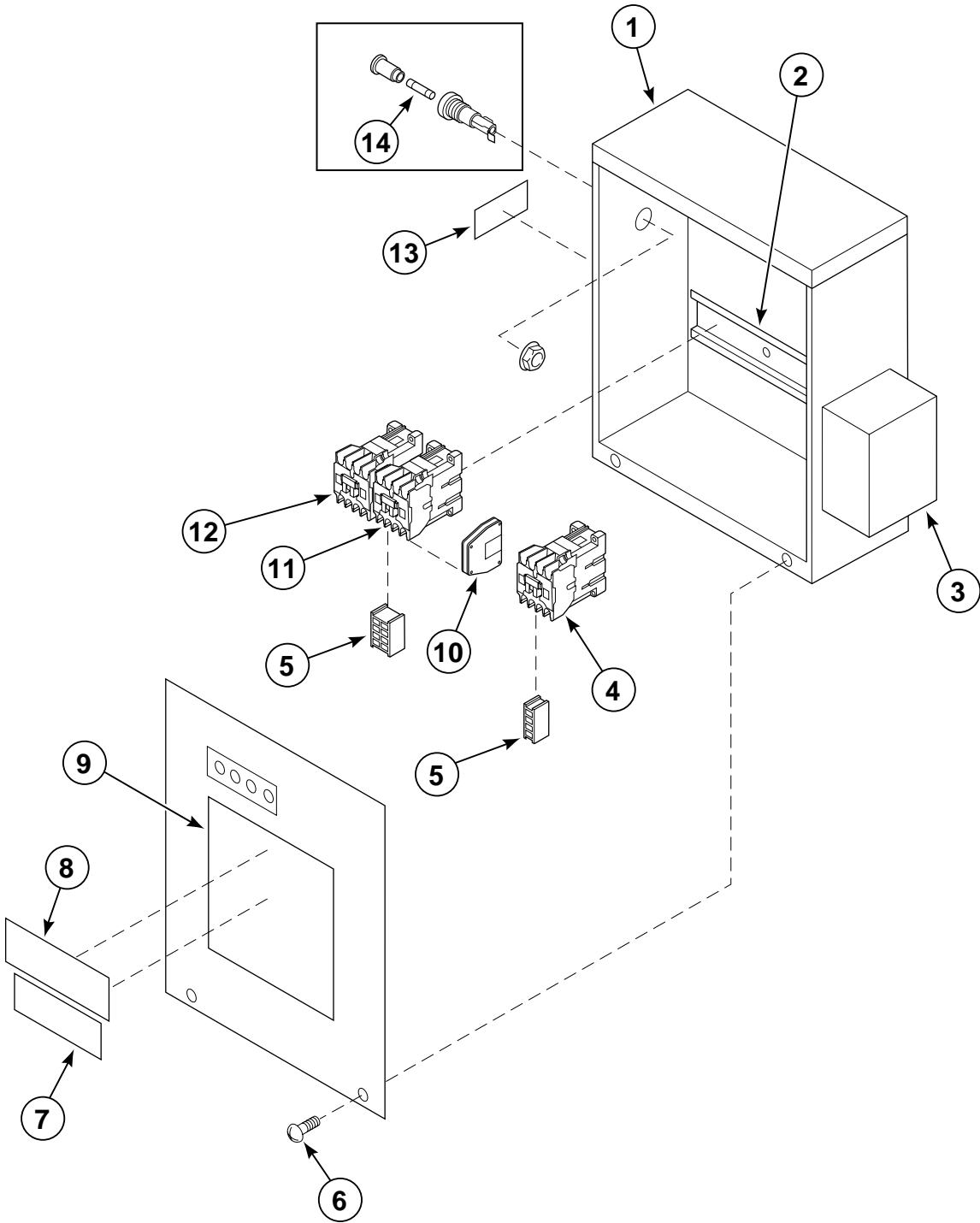


U084PE3B

Contactor Box Assembly (with A and B Contactors)

REF	PART #	DESCRIPTION	COMMENTS
	F602684	Electrical Box Assembly	Model UM100, 120 Volt
	F602684-1	Electrical Box Assembly	Model UM100, 220 Volt
	F602684-2	Electrical Box Assembly	Model UM100, 120 Volt, for Combo Timer
	F604259	Electrical Box Assembly	Model UM202, 120 Volt
	F604259-1	Electrical Box Assembly	Model UM202, 220 Volt
	F604259-2	Electrical Box Assembly	Model UM202, 120 Volt, for ComboTimer
	F604259-3	Electrical Box Assembly	Model UM202, 220 Volt, for Combo Timer
	F743800	UM Retro Fit Kit	120 Volt
	F743801	UM Retro Fit Kit	220 Volt
1	F230301	Decal	
2	F230300	Decal	
3	F430904	Screw	
4	F330146	Contactor	110 volt
	F330147	Contactor	220 volt
5	F330145	Auxilliary Contactor	
6	F330152	Mechanical Interlock	
7	F350304	Fuseholder	
8	F350104	Fuse	
9	F230610	Decal	
10	F140413	Contactor Box	
11	F610083	Mounting Rail	
12	F430928	Screw	
13	F431113	Washer	
14	F330227	Relay	110 Volt, use with Combo Timer only
	F330230	Relay	220 Volt
15	F140400	Junction Box	

Contactor Box Assembly (with B and J Contactors)

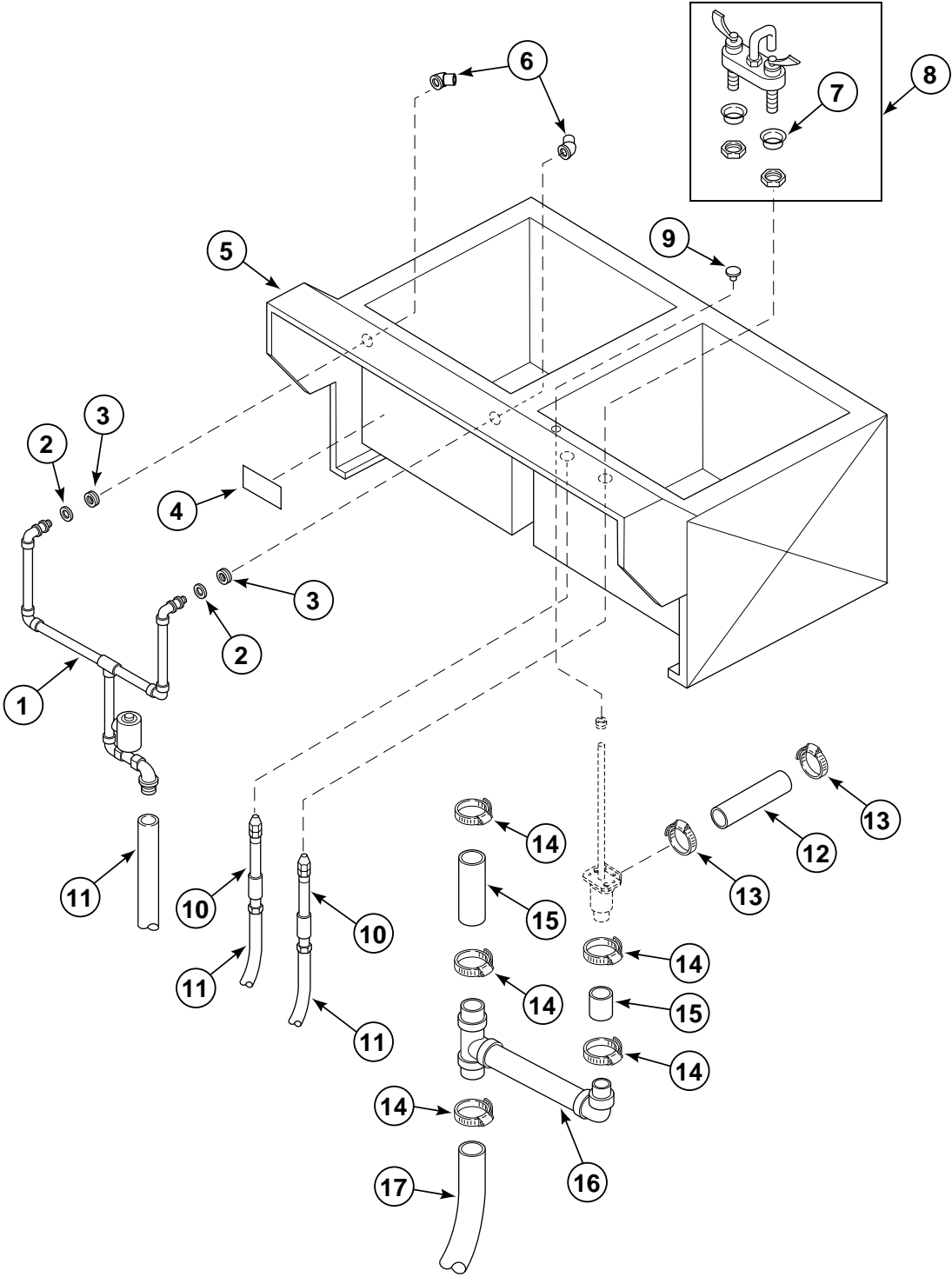


U097PE3B

Contactor Box Assembly (with B and J Contactors)

REF	PART #	DESCRIPTION	COMMENTS
1	F140413	Contactora Box	
2	F610083	Contactora Mounting Rail	
3	F140400	Junction Box	
4	F330136	Auxiliary Block	
5	F330137	Contactora	HN-01
6	F430904	Screw	
7	F230301	Decal	
8	F230300	Decal	
9	F330111	Mechanical Interlock	
10	F330110	Contactora	110 volt
	F330114	Contactora	220 Volt
11	F330109	Relay	110 Volt
	F330127	Relay	220 Volt
12	F350304	Fuseholder	
13	F230610	Decal	
14	F350104	Fuse	2 Amp

Drain, Spray and Rinse Assembly (Models UM100 and UM1202)

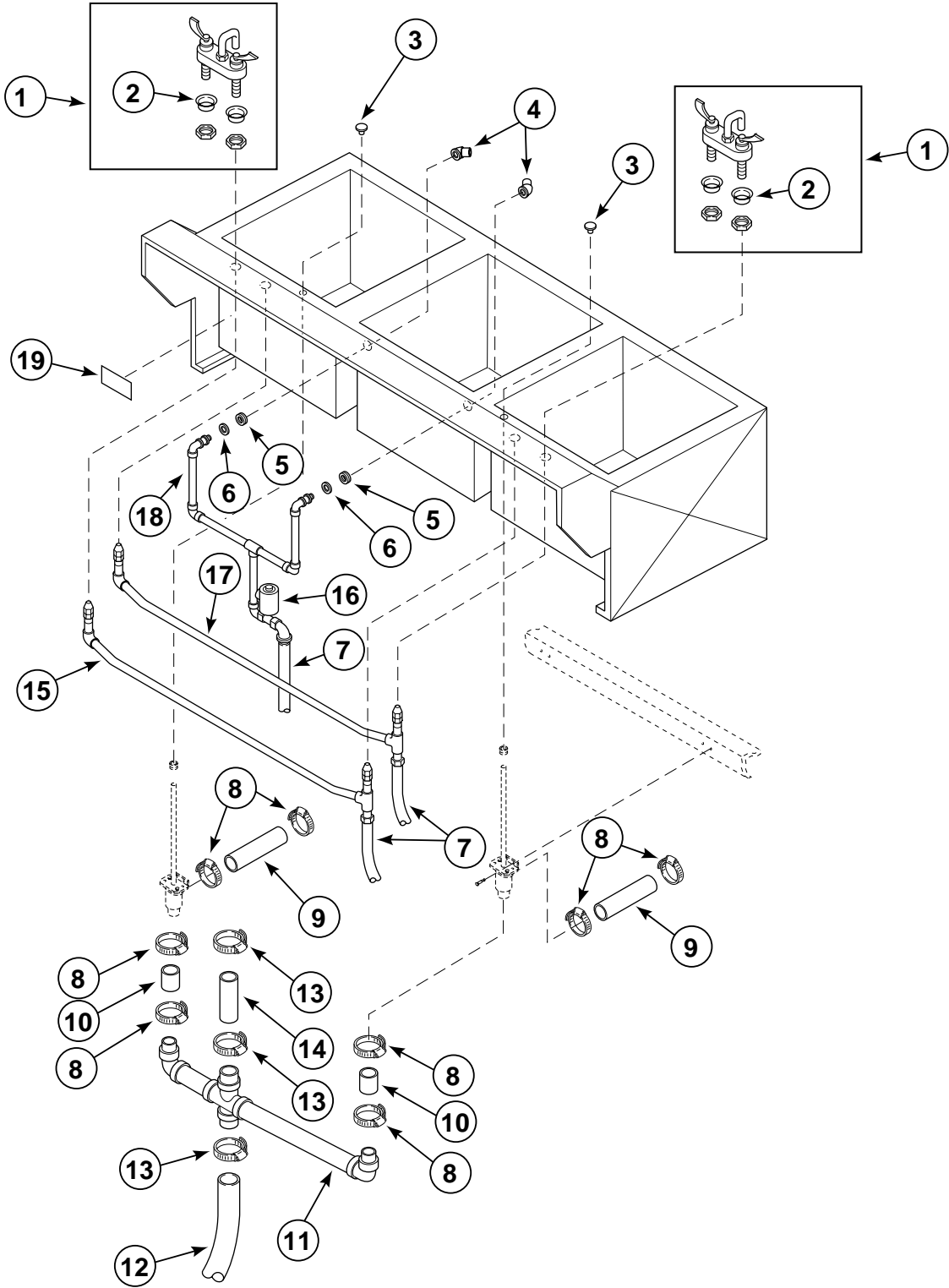


U095Pe3a

Drain, Spray and Rinse Assembly (Models UM100 and UM1202)

REF	PART #	DESCRIPTION	COMMENTS
1	F602675	Rinse Assembly	110 Volt
2	F431502	Washer	
3	F170603	Grommet	
4	F230942	Serial Decal	
5	F602493	Tub Assembly	
6	F422310	Spray Rinse Nozzle	
7	F432292	Faucet Spacer	
8	F190703	Faucet Assembly	
9	F190101	Push/Pull Knob	Black
10	F604439	Hot/Cold Manifold	
11	F200164	Fill and Spray Hose	Sold per foot
12	F610071	Hose	Sold per foot
13	F200215	Clamp	#32
14	F200213	Clamp	#40
15	F610072	Hose	Sold per foot
16	F601457	Drain Manifold	
17	F200114	Drain Hose	Sold per foot

Drain, Spray and Rinse Assembly (Models UM202 and UM1202)

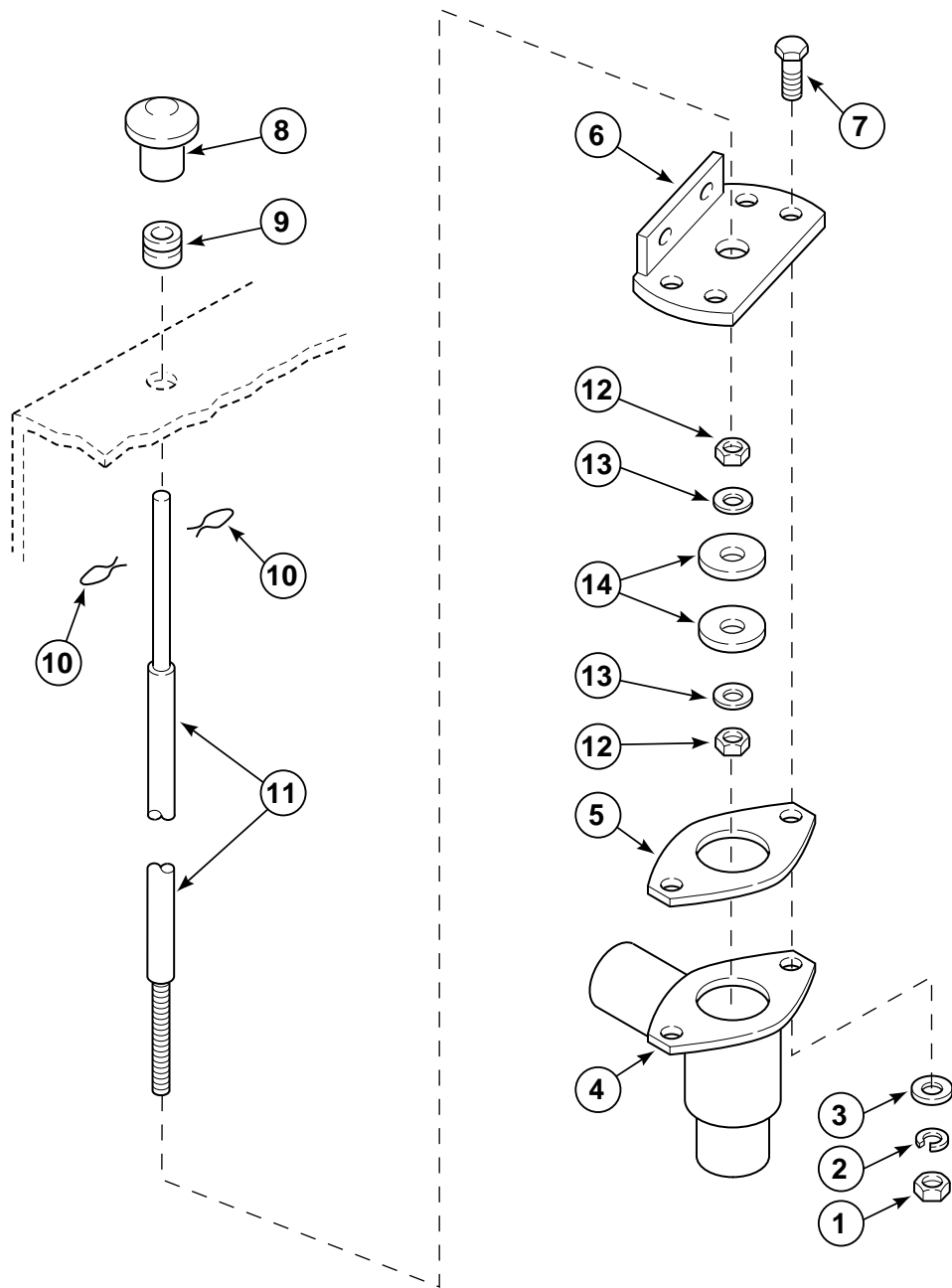


U096PE3B

Drain, Spray and Rinse Assembly (Models UM202 and UM1202)

REF	PART #	DESCRIPTION	COMMENTS
1	F730088	Faucet Assembly	Includes reference numbers 1, 3-7
2	F190921	Faucet Hardware	
3	F190101	Push/Pull Knob	Black
4	F422310	Spray Rinse Nozzle	
5	F170603	Grommet	
6	F431502	Washer	
7	F200164	Hose	Sold per foot
8	F200215	Clamp	#32
9	F610071	Hose	Sold per foot
10	F610072	Hose	Sold per foot
11	F601504	Drain Manifold	
12	F200114	Hose	Sold per foot
13	F200213	Clamp	#40
14	F608623-2	Hose	Sold per foot
15	F602487	Plumbing Manifold	Cold
16	F380901	Coil	120 Volt
	F380902	Coil	240 Volt
17	F602490	Plumbing Manifold	Hot
18	F602675	Rinse Assembly	
19	F230942	Decal	

Drain Valve Assembly (Models UM100 and UM1202)

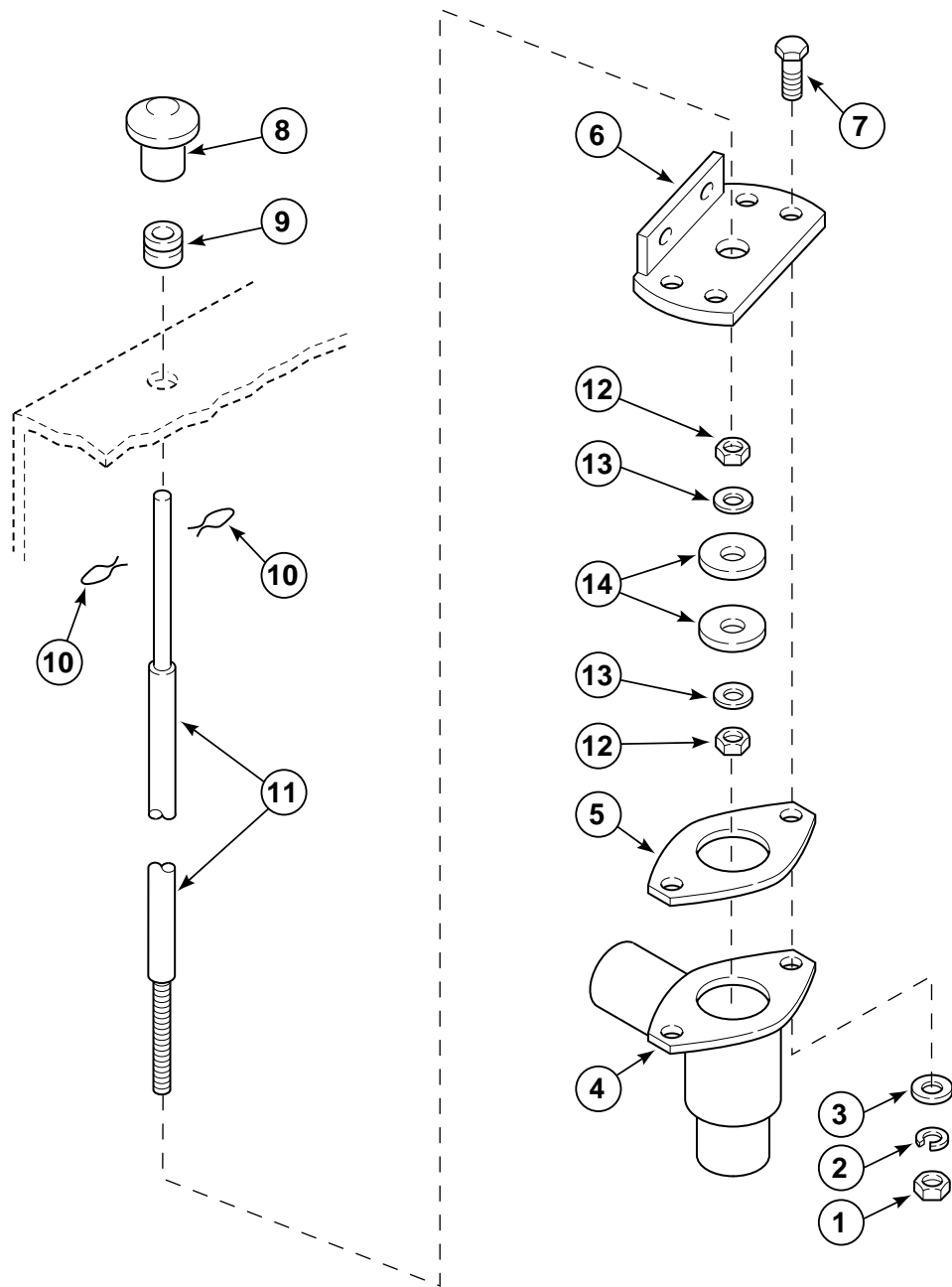


U090Pe3a

Drain Valve Assembly (Models UM100 and UM1202)

REF	PART #	DESCRIPTION	COMMENTS
	F730004	Drain Valve Kit	Includes reference numbers 1-4, 6, 8-14
1	F430211	Nut	
2	F430322	Washer	
3	F430317	Washer	
4	F150301	Drain Valve	
5	F170500	Drain Valve Gasket	
6	F602396	Drain Valve Flange Assembly	
7	F430115	Screw	
8	F190101	Push/Pull Knob	Black
9	F170605	Grommet	
10	F431605	Hair Cotter Pin	
11	F601388	Drain Valve Rod	
12	F431402	Nut	
13	F431500	Washer	
14	F170107	Drain Valve Disc	

Drain Valve Assembly (Models UM202 and UM1202)

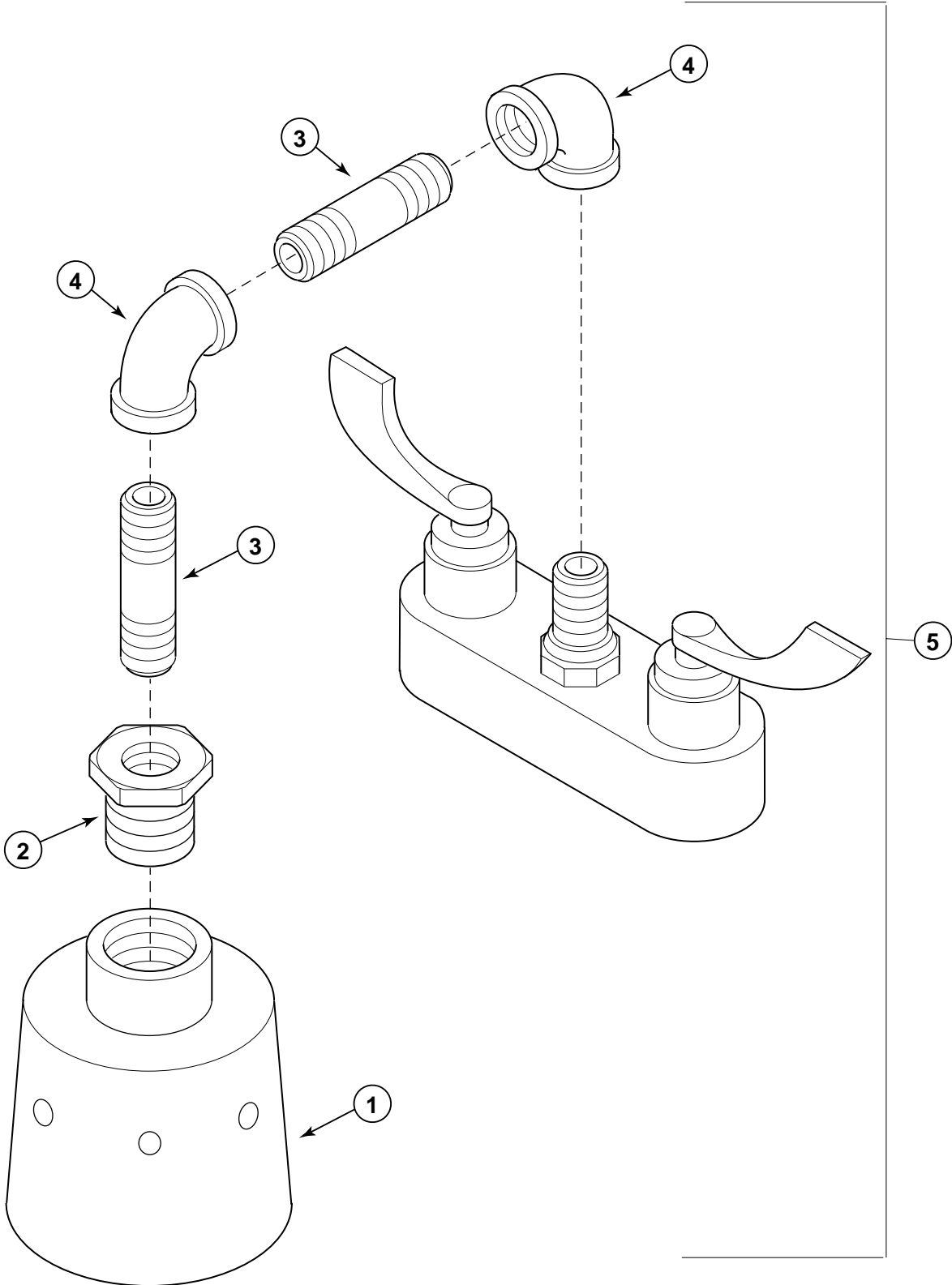


U090Pe3a

Drain Valve Assembly (Models UM202 and UM1202)

REF	PART #	DESCRIPTION	COMMENTS
	F730004	Drain Valve Kit	Includes reference numbers 1-4, 6, 8-14
1	F430211	Nut	
2	F430322	Washer	
3	F430317	Washer	
4	F150301	Drain Valve	
5	F170500	Drain Valve Gasket	
6	F602396	Drain Valve Assembly	
7	F430107	Screw	
8	F190101	Push/Pull Knob	Black
9	F170605	Grommet	
10	F431605	Hair Pin Clip	
11	F601388	Drain Valve Rod	
12	F431402	Nut	
13	F431500	Washer	
14	F170107	Drain Valve Disc	

Float Valve Assembly

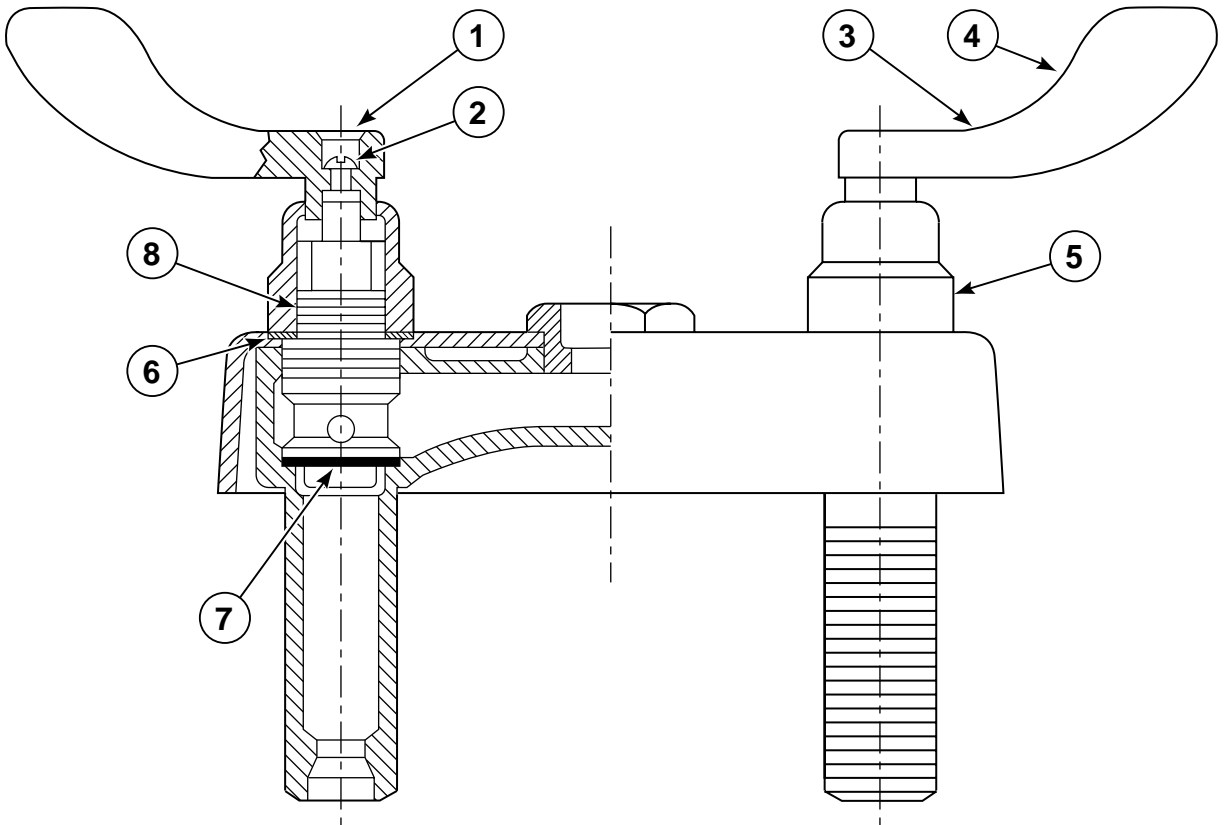


U082PE3A

Float Valve Assembly

REF	PART #	DESCRIPTION	COMMENTS
1	F380401	Float Valve	
2	F422004	Bushing	
3	F421947	Nipple	
4	F422315	Elbow	
5	F730357	Faucet Kit	Includes reference numbers 1-4

Faucet Assembly



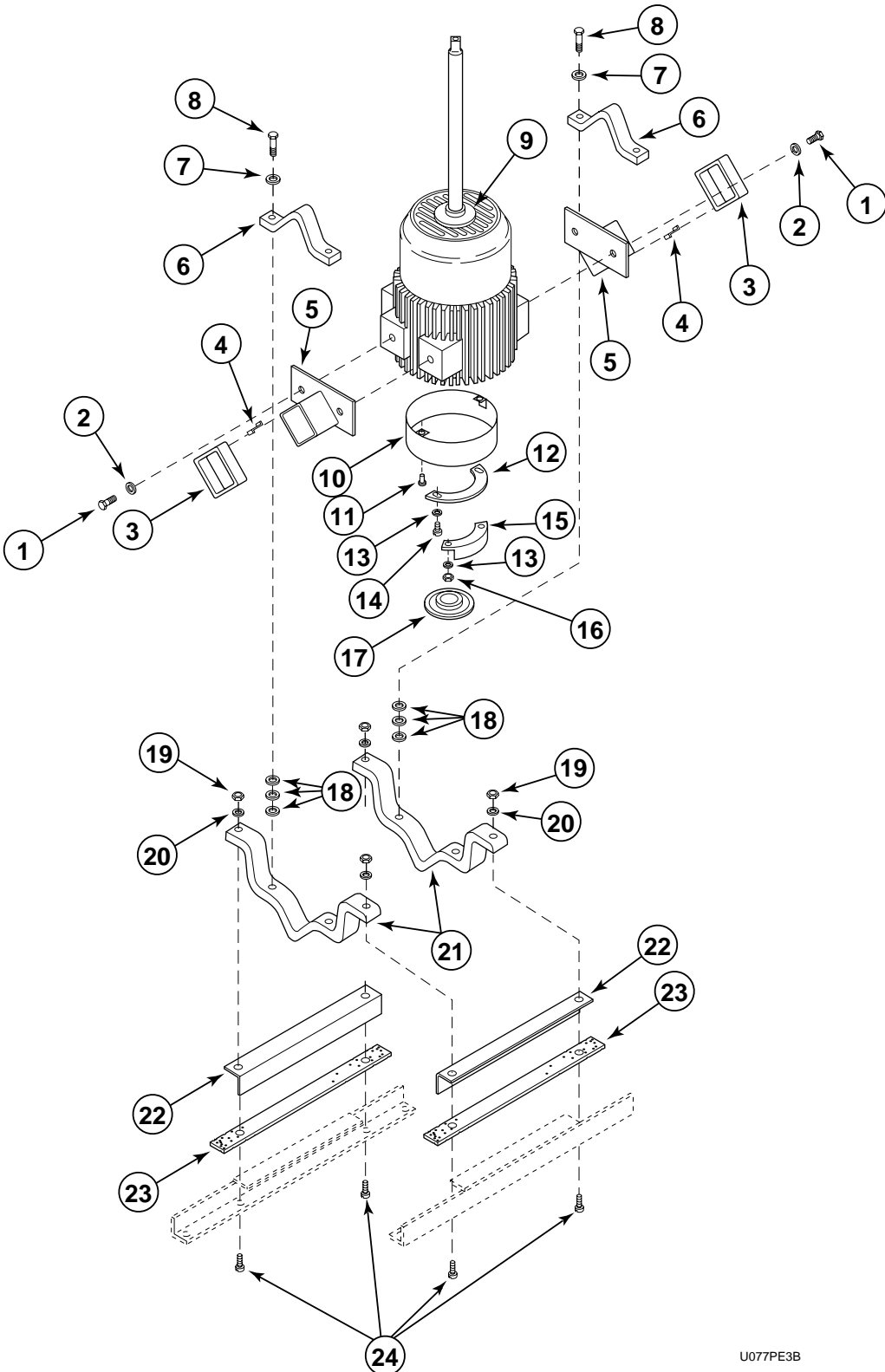
U091Pe3a

Faucet Assembly

REF	PART #	DESCRIPTION	COMMENTS
1	F190915	Screw	
2	F190911	Faucet Button	
3	F190912	Faucet	
4	F190916	Handle	
5	F190920	Nut	
6	F190913	Cork Gasket	
7	F190914	Seat Ring	
8	F190903	Trim Unit	Right-hand, cold
	F190904	Trim Unit	Left-hand, hot

Motor Assembly (Elmo Motor)

(used in UM model production since 1992)



U077PE3B

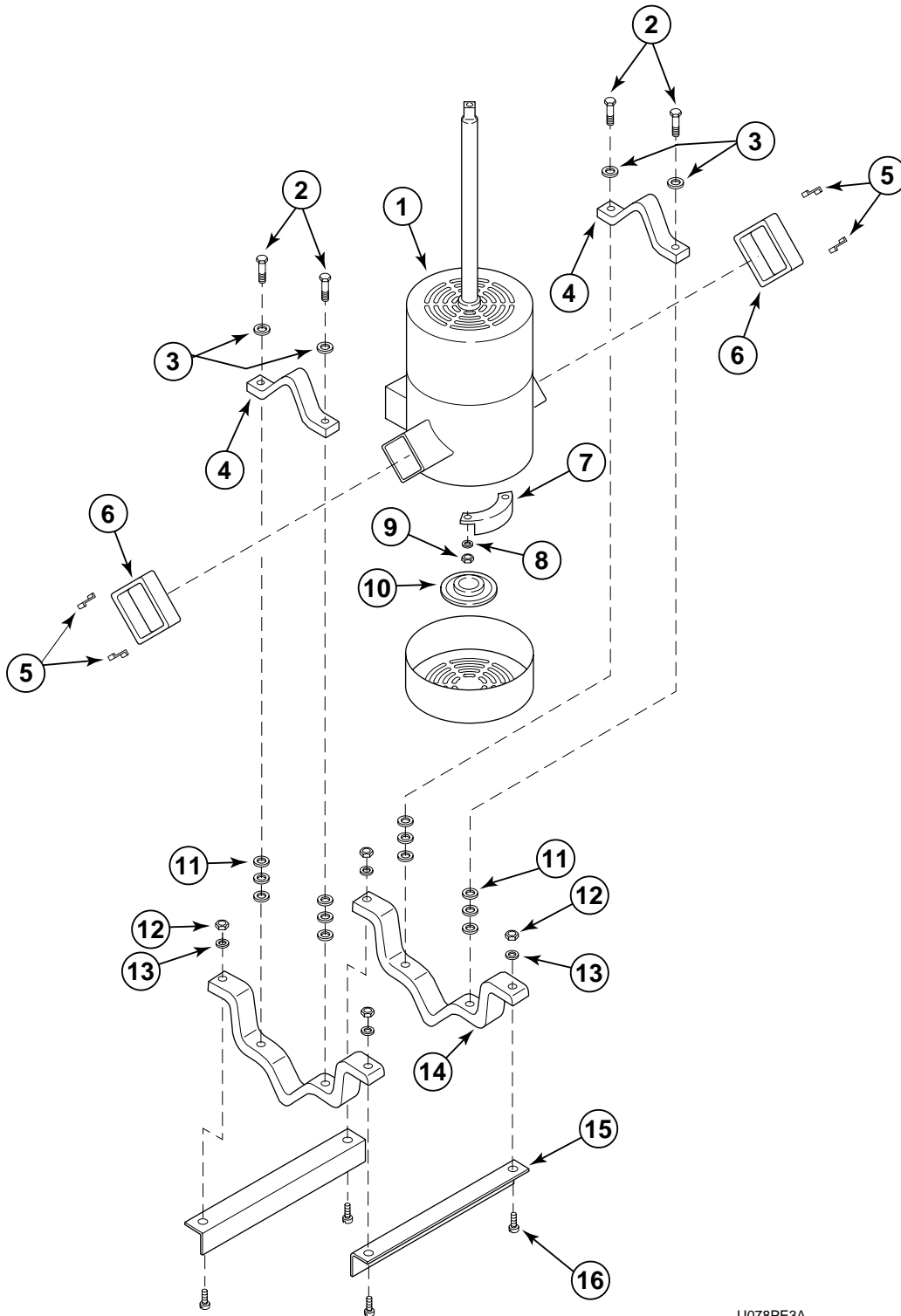
Motor Assembly (Elmo Motor)

(used in UM model production since 1992)

REF	PART #	DESCRIPTION	COMMENTS
	F730112-1	Extractor Motor Kit	Mechanical Clutch, includes all reference numbers on page
	F730112-2	Extractor Motor Kit	Rotation Direction Detector, includes all reference numbers on page
1	F430100	Bolt	
2	F430314	Washer	
3	F170100	Trunnion Rubber	
4	F601167	Z-Clip	
5	F601050	Motor Support Ear	
6	F601387	Trunnion Cap	
7	F430321	Washer	
8	F430104	Bolt	
9	F100206	Flinger	
10	F601254	Sensor Cover Assembly	
11	F430920	Bolt	
12	F603921	Extractor Sensor Bracket	
13	F430312	Washer	#10
14	F430520	Screw	
15	F370545	Proximity Sensor	
16	F430232	Nut	
17	F370547	Proximity Wheel	
18	F430301	Washer	
19	F430211	Nut	
20	F430322	Washer	
21	F601375	Trunnion Frame	
22	F170111	Sponge Rubber	
23	F430112	Screw	
24	F601182	Trunnion Frame Assembly	

Motor Assembly (Baldor Motor)

(used in UM models production from October 1989 until 1992)



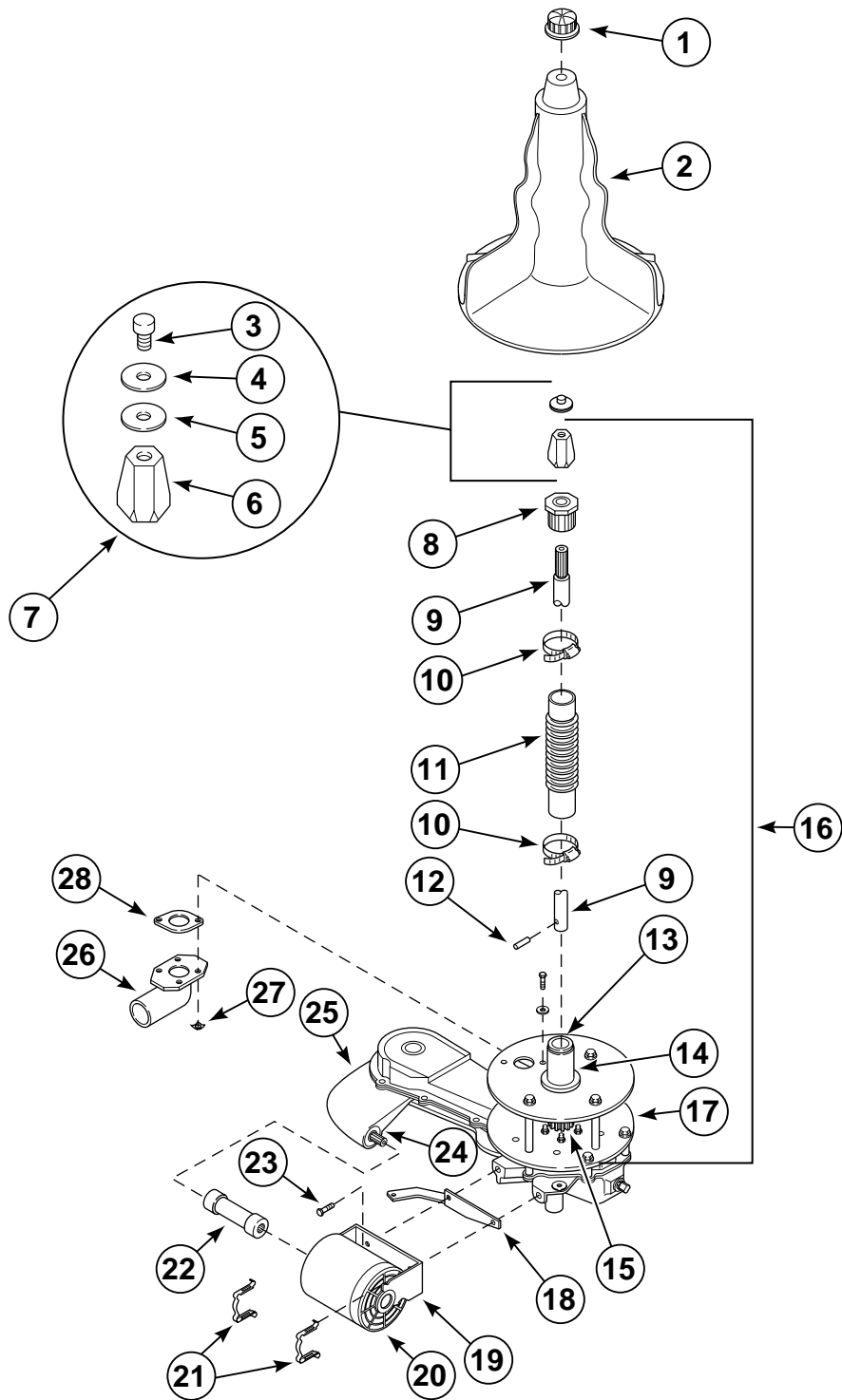
U078PE3A

Motor Assembly (Baldor Motor)

(used in UM model production from October 1989 until 1992)

REF	PART #	DESCRIPTION	COMMENTS
1	F730112-2	Extractor Motor Kit	Includes all reference numbers on page
2	F430104	Bolt	
3	F430321	Washer	
4	F601387	Trunnion Cap	
5	F601167	Z-Clip	
6	F170100	Trunnion Rubber	
7	F370545	Proximity Sensor	
8	F430312	Washer	#10
9	F430232	Nut	
10	F370547	Proximity Wheel	
11	F430301	Washer	
12	F430211	Nut	
13	F430322	Washer	
14	F601375	Trunnion Frame	
15	F601182	Trunnion Frame Angle	
16	F430112	Screw	

Transmission and Agitator Assembly (used from 1985-1995)

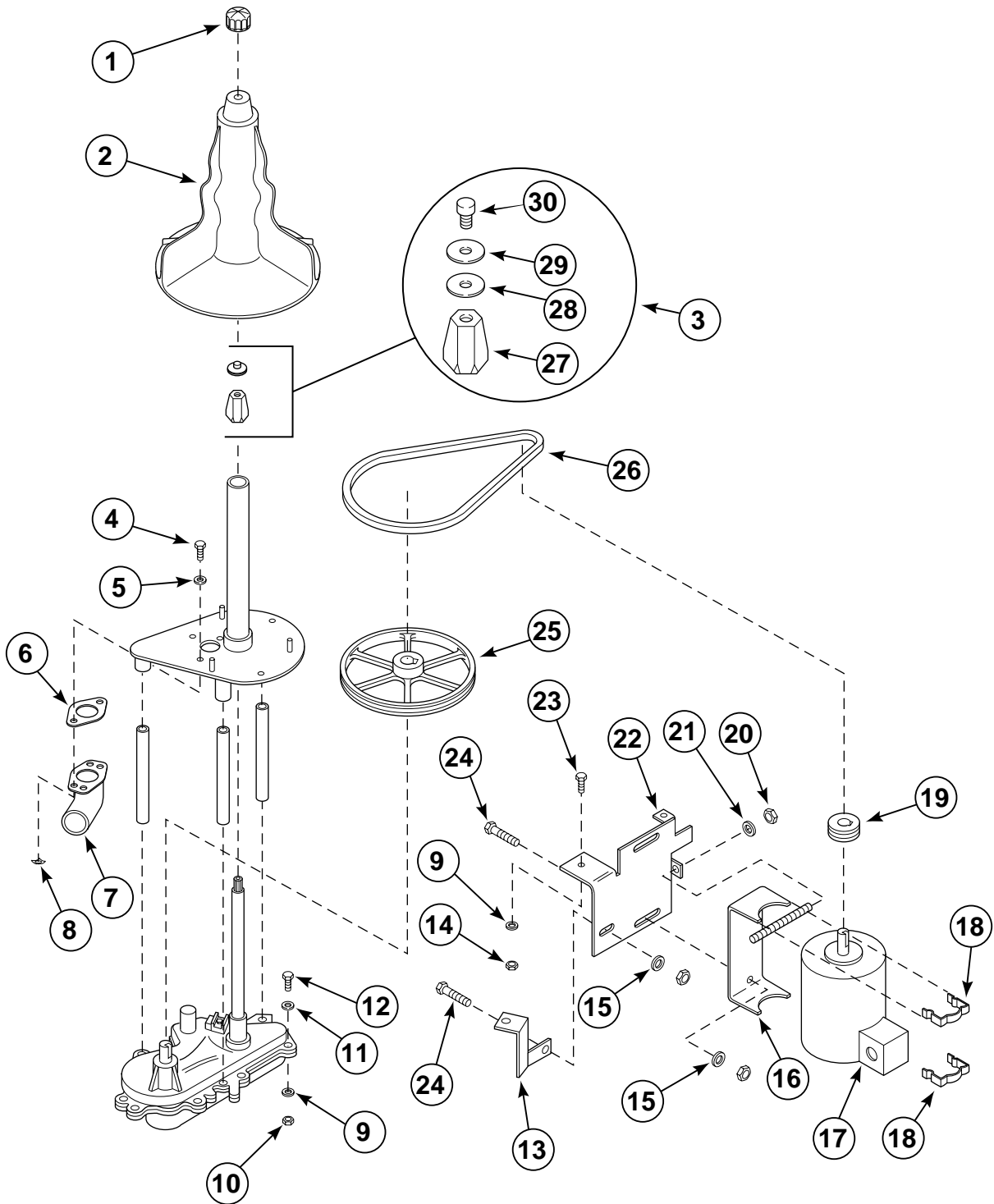


U092PE3B

Transmission and Agitator Assembly (used from 1985-1995)

REF	PART #	DESCRIPTION	COMMENTS
1	F180301	Agitator Cap	
2	F180300	Agitator	
3	F180405	Stud	
4	F180463	Washer	
5	F180443	Seal	
6	F180302	Agitator Drive Block	
7	F730411	Agitator Installtion Kit	
8	F602508	Top Bearing Assembly	
9	F605510	Shaft	Long
	F602409	Shaft	Short
10	F200200	Clamp	
11	F200124	Hose	
12	F180477	Drive Pin	
13	F100121	Bushing	
14	F604876	Centerplate	
15	F180481	Stand-off	
16	F602700	Centerplate Assembly	
17	F604863	Bottom Plate	
18	F604864	Motor Spacer Bracket	
19	F180404	Motor Mounting Bracket	
20	F220100	Motor	115 Volt, 60 Hertz
	F200121	Motor	220 Volt, 50 Hertz
	F200210	Motor	208-240 Volt, 60 Hertz
21	F180435	Motor Mounting Spring Clip	
22	F180432	Transmission Hose Coupling	
23	F430127	Screw	
24	F180418	Shaft Seal	
25	F180469	Gasket	
26	F150302	Drain Elbow	
27	F430204	Locknut	
28	F170501	Gasket	

Transmission and Agitator Assembly (used from 1995-May 1998)

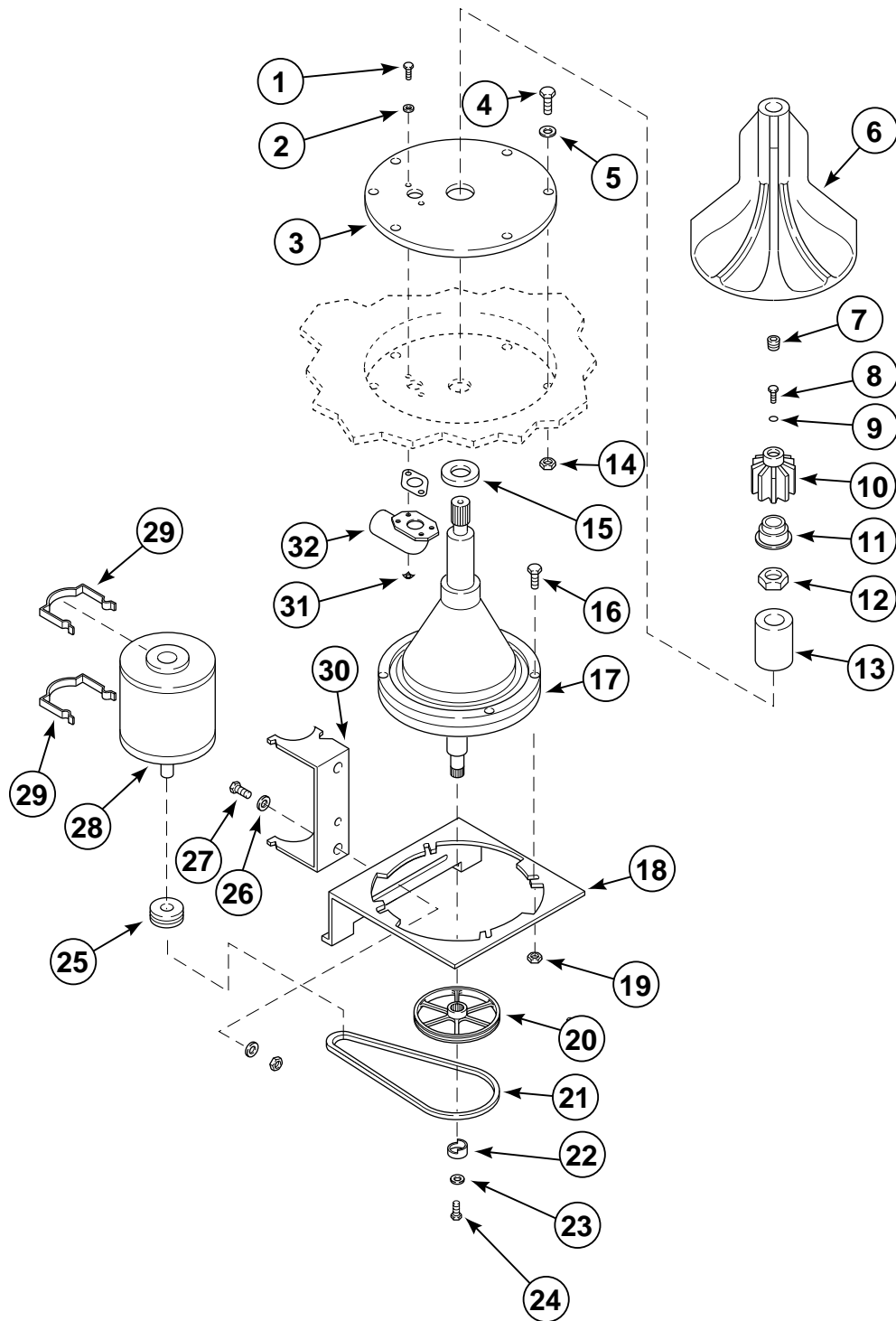


U093PE3B

Transmission and Agitator Assembly (used from 1995-May 1998)

REF	PART #	DESCRIPTION	COMMENTS
1	F180301	Agitator Cap	
2	F180300	Agitator	
3	F730411	Agitator Installation Kit	
4	F430935	Screw	
5	F431112	Washer	
6	F170501	Gasket	
7	F150302	Drain Elbow	
8	F430204	Nut	
9	F430305	Washer	
10	F430205	Nut	
11	F430301	Washer	
12	F430993	Screw	
13	F609837	Transmission Support Bracket	
14	F430212	Nut	
15	F430321	Washer	
16	F630460	Motor/Bolt Base Weldment	
17	F220100	Motor	115 Volt, 60 Hertz
	F200106	Motor	208-230 Volt, 50/60 Hertz
18	F180435	Transmission Motor Clamp	
19	F280272	Pulley	
20	F430205	Nut	
21	F430305	Washer	
22	F609838	Transmission Plate	
23	F430144	Screw	
24	F430116	Screw	
25	F280268	Pulley	
26	F280405	Belt	
27	F180302	Agitator Drive Block	
28	F180443	Seal	
29	F180463	Washer	
30	F180405	Stud	

Transmission and Agitator Assembly (used since June 1998)



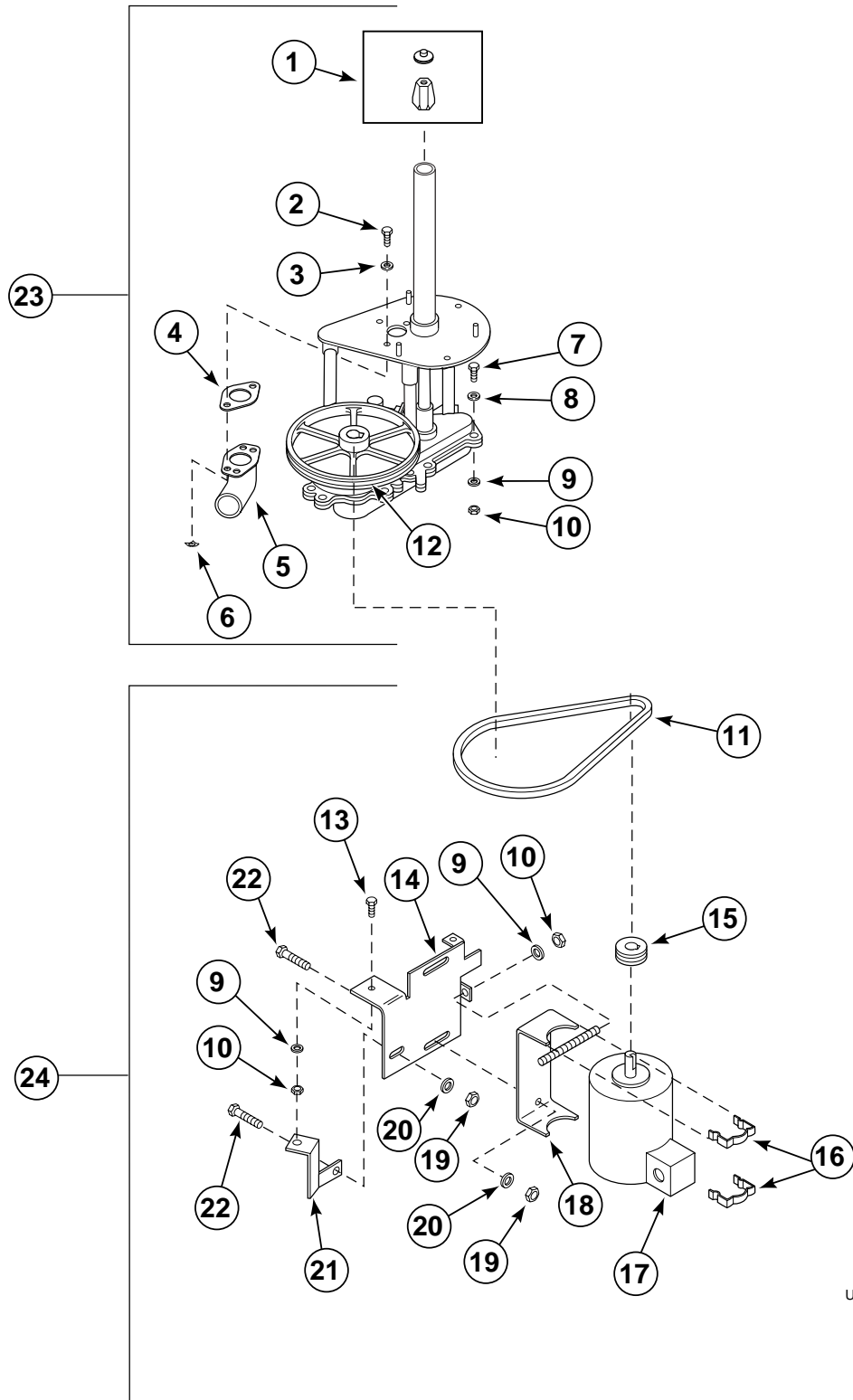
U104PE3B

Transmission and Agitator Assembly (used since June 1998)

REF	PART #	DESCRIPTION	COMMENTS
	F634792	Transmission/Motor Setup Assembly	
1	F430906	Screw	
2	F431112	Washer	
3	F634464	Transmission Tub Plate	
4	F430946	Screw	
5	F431116	Washer	
6	F180310	Agitator	
7	F170185	Plug	
8	F432295	Screw	
9	F170220	O-ring	
10	F180516	Drive Block	
11	F100290	Drive Shaft Seal	
12	F430263	Nut	
13	F422522	Spacer	
14	F431004	Nut	
15	F422521	Spacer	
16	F430913	Screw	
17	F180309	Transmission	
18	F634583	Motor/Transmission Plate Weldment	
19	F430215	Nut	
20	F180518	Transmission Pulley	
21	F280372	Drive Belt	
22	F180515	Helix Pulley	
23	F430346	Washer	
24	F432294	Screw	
25	F280272	Motor Pulley	
26	F430317	Washer	
27	F430107	Screw	
28	F220106	Motor	Dual voltage
29	F180435	Clamp	
30	F180404	Motor Base	
31	F430204	Nut	
32	F150302	Elbow	

Retro Fit Kit Assembly

(to be used with all past and current transmissions)



U094PE3B

Retro Fit Kit Assembly

(to be used on all past and current transmissions)

REF	PART #	DESCRIPTION	COMMENTS
1	F730411	Agitator Installation Kit	
2	F430935	Screw	
3	F431112	Washer	
4	F170501	Gasket	
5	F150302	Drain Elbow	
6	F430204	Nut	
7	F430993	Screw	
8	F430301	Washer	
9	F430305	Washer	
10	F430205	Nut	
11	F280405	Belt	
12	F280268	Pulley	
13	F430144	Screw	
14	F609838	Transmission Plate	
15	F280272	Pulley	
16	F180435	Transmission Motor Clamp	
17	F220100	Motor	115 Volt, 60 Hertz
	F220106	Motor	208-230 Volt, 50/60 Hertz
18	F630460	Motor/Bolt Base Weldment	
19	F430212	Nut	
20	F430321	Washer	
21	F609837	Transmission Support Bracket	
22	F430116	Screw	
23	F769000	Transmission Kit	Includes reference numbers 1-10
24	F769100	Adapter Kit	Includes reference numbers 11-22

Parts Index

A

Adapter Kit	
F769100	47
Agitator	
F180300	7, 9, 41, 43
F180310	45
Agitator Cap	
F180301	41, 43
Agitator Drive Block	
F180302	41, 43
Agitator Installation Kit	
F730411	43, 47
Agitator Installtion Kit	
F730411	41
Auxiliary Block	
F330136	23
Auxilliary Contactor	
F330145	21

B

Belt	
F280405	43, 47
Bolt	
F430100	37
F430104	37, 39
F430116	7, 9
F430920	37
Bottom Plate	
F604863	41
Bushing	
F100121	41
F422004	33

C

Cable Support Bracket	
F605388	13
Cap	
F190310	15
Centerplate	
F604876	41
Centerplate Assembly	
F602700	41
Clamp	
F180435	45
F200200	41
F200213	25, 27
F200215	25, 27
Coil	
F380901	27
F380902	27
Combo Timer Kit	
F777800	19
Connector	
F601063	5

Contactor	
F330110	23
F330114	23
F330137	23
F330146	21
F330147	21
F340428	19
F340429	19
Contactor Box	
F140413	7, 21, 23
F604259	9
Contactor Mounting Rail	
F610083	23
Control Panel Cover	
F601139	7
Conversion Kit	
F730156	5
Cork Gasket	
F190913	35
Cotter Pin	
F430401	15
F431202	11, 17
F431216	13

D

Decal	
F230300	21, 23
F230301	21, 23
F230610	21, 23
F230730	19
F230731	19
F230732	19
F230733	19
F230806	9
F230942	27
F231442	7, 9
Drain Elbow	
F150302	41, 43, 47
Drain Hose	
F200114	25
Drain Manifold	
F601457	25
F601504	27
Drain Valve	
F150301	29, 31
Drain Valve Assembly	
F602396	31
Drain Valve Disc	
F170107	29, 31
Drain Valve Flange Assembly	
F602396	29
Drain Valve Gasket	
F170500	29, 31
Drain Valve Kit	
F730004	29, 31
Drain Valve Rod	
F601388	29, 31
Drive Belt	
F280372	45

Drive Block	
F180516	45
Drive Pin	
F180477	41
Drive Shaft Seal	
F100290	45

E

Elbow	
F150302	45
F422315	33
Electrical Box Assembly	
F602684	21
F602684-1	21
F602684-2	21
F604259	21
F604259-1	21
F604259-2	21
F604259-3	21
End Panel	
F602496	7, 9
Extractor Basket	
F602568	7, 9
Extractor Lid	
F170410	11
Extractor Lid Kit	
F730020	11, 17
F730370	11, 17
Extractor Motor Kit	
F730112-1	37
F730112-2	37, 39
Extractor Sensor Bracket	
F603921	37

F

Faucet	
F190912	35
Faucet Assembly	
F190703	25
F730088	27
Faucet Button	
F190911	35
Faucet Hardware	
F190921	27
Faucet Kit	
F730088	7, 9
F730357	33
Faucet Spacer	
F432292	25
Fill and Spray Hose	
F200164	25
Flinger	
F100206	37
Float Valve	
F380401	33
Frame Assembly	
F601259	9
F601260	7
Front Panel	
F601090	7
F601140	9

Fuse	
F350104	21, 23
Fuseholder	
F350304	21, 23

G

Gasket	
F170501	41, 43, 47
F180469	41
Grommet	
F170601	15
F170603	25, 27
F170605	29, 31

H

Hair Cotter Pin	
F431605	29
Hair Pin Clip	
F431605	31
Handle	
F190916	35
Helix Pulley	
F180515	45
Hose	
F200114	27
F200124	41
F200164	27
F608623-2	27
F610071	25, 27
F610072	25, 27
Hot/Cold Manifold	
F604439	25

I

Indicator Light	
F350412	19

J

Junction Box	
F140400	21, 23

L

Lid Handle	
F605868	11
Lid Lock Cable	
F190800	13, 15
Lid Lock Carrier Slide	
F602513	13
Lid Lock Mounting Bracket	
F601184	15
Lid Lock Slide	
F602514	13
Lid Lock Solenoid	
F300106	15

Lid Lock Spring	
F310105	15
F310128	13
Lid Lock Spring Bracket	
F601958	11, 17
Lid Lock Solenoid	
F300107	15
Locknut	
F430204	41
Lockwasher	
F431104	5
F431106	15

M

Mechanical Interlock	
F330111	23
F330152	21
Microswitch	
F340903	11, 17
Motor	
F200106	43
F200121	41
F200210	41
F220100	41, 43, 47
F220106	45, 47
Motor Base	
F180404	45
Motor Mounting Bracket	
F180404	41
Motor Mounting Spring Clip	
F180435	41
Motor Pulley	
F280272	45
Motor Spacer Bracket	
F604864	41
Motor Support Ear	
F601050	37
Motor/Bolt Base Weldment	
F630460	43, 47
Motor/Transmission Plate Weldment	
F634583	45
Mount	
F432200	15
Mounting Bracket Assembly	
F602483	15
Mounting Rail	
F610083	21

N

Nipple	
F421947	33
Nut	
F190920	35
F430204	7, 9, 43, 45, 47
F430205	43, 47
F430209	15
F430211	29, 31, 37, 39
F430212	43, 47
F430215	45
F430217	11
F430218	7, 9

F430220	15
F430232	37, 39
F430263	45
F430604	19
F431000	11, 15
F431004	45
F431005	15, 17
F431017	13
F431022	11, 17
F431106	11
F431210	13
F431402	29, 31
V	7

O

O-ring	
F170220	45

P

Plug	
F170185	45
Plumbing Manifold	
F602487	27
F602490	27
Post and Screw Kit	
F730087	11, 17
Post Rivet	
F430147	11
Proximity Sensor	
F370545	37, 39
Proximity Wheel	
F370547	37, 39
Pulley	
F280268	43, 47
F280272	43, 47
Pushbutton Switch	
F340707	19
F340708	19
F340709	19
Push/Pull Knob	
F190101	25, 27, 29, 31

R

Rail Assembly	
F601486	7, 9
Relay	
F330109	23
F330127	23
F330227	21
F330230	21
Rinse Assembly	
F602675	25, 27
Rivnut	
F432213	19

S

Saddle Hinge	
F150206	11, 17
Saddle Pin	
F601352	11, 17
Screw	
F190915	35
F430106	15
F430107	31, 45
F430112	37, 39
F430115	7, 29
F430116	43, 47
F430127	41
F430144	43, 47
F430520	37
F430903	11, 17
F430904	21, 23
F430906	45
F430913	45
F430920	11
F430923	5, 7, 9
F430928	21
F430935	43, 47
F430939	7, 9, 11, 17
F430944	17
F430946	45
F430966	15
F430986	11
F430993	43, 47
F430994	13
F430998	19
F431400	17
F432294	45
F432295	45
Seal	
F180443	41, 43
Seat Ring	
F190914	35
Sensor Cover Assembly	
F601254	37
Serial Decal	
F230942	7, 9, 25
Shaft	
F602409	41
F605510	41
Shaft Seal	
F180418	41
Spacer	
F422521	45
F422522	45
Splash Guard Assembly	
F602498	5
Sponge Rubber	
F170111	37
Spray Rinse Nozzle	
F422310	25, 27
Spring	
F310122	11, 17
Spring Bracket	
F601033	11, 17
Stand-off	
F180481	41
Stud	
F180405	41, 43

T

Timer Kit	
F730201	19
F730202	19
Timer Knob	
F330506	19
Top Bearing Assembly	
F602508	41
Transmission	
F180309	45
Transmission Hose Coupling	
F180432	41
Transmission Kit	
F769000	47
Transmission Motor Clamp	
F180435	43, 47
Transmission Plate	
F609838	43, 47
Transmission Pulley	
F180518	45
Transmission Support Bracket	
F609837	43, 47
Transmission Tub Plate	
F634464	45
Transmission/Motor Setup Assembly	
F634792	45
Trim Unit	
F190903	35
F190904	35
Trunnion Cap	
F601387	37, 39
Trunnion Frame	
F601375	37, 39
Trunnion Frame Angle	
F601182	39
Trunnion Frame Assembly	
F601182	37
Trunnion Rubber	
F170100	37, 39
Tub	
F602493	7
Tub Assembly	
F602493	25
F602494	9

U

UM Retro Fit Kit	
F743800	21
F743801	21

W

Washer	
F180463	41, 43
F430301	7, 9, 37, 39, 43, 47
F430305	43, 47
F430312	37, 39
F430314	37
F430317	29, 31, 45

F430321.....	37, 39, 43, 47
F430322.....	29, 31, 37, 39
F430346.....	45
F431102.....	11
F431104.....	7, 9, 11, 17
F431106.....	17
F431112.....	7, 9, 43, 45, 47
F431113.....	21
F431116.....	45
F431500.....	29, 31
F431502.....	25, 27

Z

Z-Clip	
F601167.....	37, 39