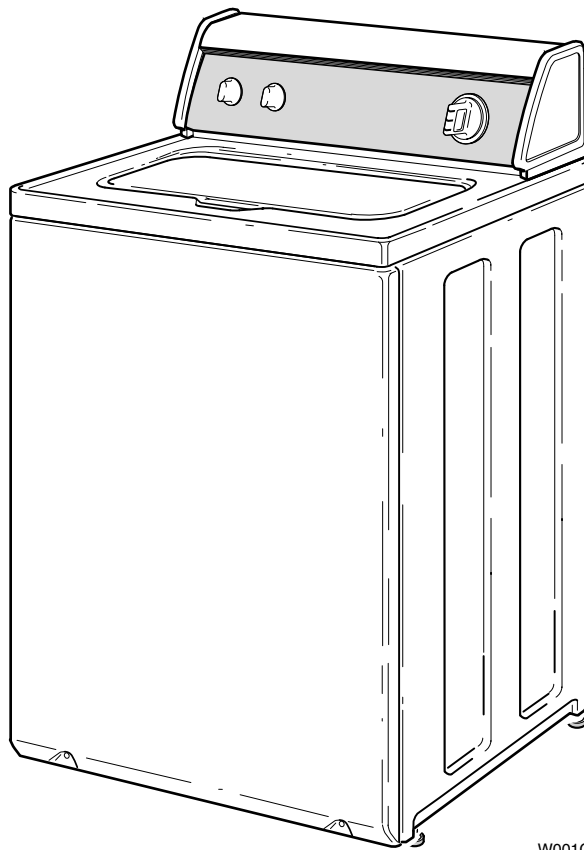


Automatic Washers

Refer to Page 3 for Model Numbers



W001C

Table of Contents

Title	Page
Parts Ordering Information	2
Nameplate Location	2
Model Identification	3
Graphic Panel, Control Mounting Plate and Controls	4
Graphic Panel, Control Mounting Plate and Controls	6
Graphic Panel, Control Mounting Plate and Controls	8
Graphic Panel, Control Mounting Plate and Controls	10
Graphic Panel, Control Mounting Plate and Controls	12
Graphic Panel, Control Mounting Plate and Controls	14
Graphic Panel, Control Mounting Plate and Controls	16
Cabinet Top, Loading Door and Control Hood Rear Panel	18
Out-Of-Balance Switch	20
Inlet Hose, Fill Hose and Mixing Valve Mounting Bracket	22
Mixing Valve Assembly	24
Motor, Mounting Bracket, Belt, Pump and Idler Assembly	26
Agitator, Drive Bell, Seal Kit, Washtub and Hub	28
Agitator, Drive Bell, Clothes Guard, Lint Filter and Hub	30
Outer Tub, Cover and Pressure Hose	32
Transmission Assembly and Balance Ring	34
34526P Transmission Assembly	36
Bearing Housing, Brake, Pulley and Pivot Dome	38
Drain Hose and Siphon Break	40
Front Panel, Base and Cabinet Assembly	42
Mixing Valve and Motor Connection Blocks, Terminals and Terminal Extractor Tool	44
Power Cord and Terminals	46
Special Tools	48
Special Tools	50
Wire Harnesses and Wires	52
Parts Index	53

© Copyright 2000, Alliance Laundry Systems LLC

All rights reserved. No part of the contents of this book may be reproduced or transmitted in any form or by any means without the expressed written consent of the publisher.

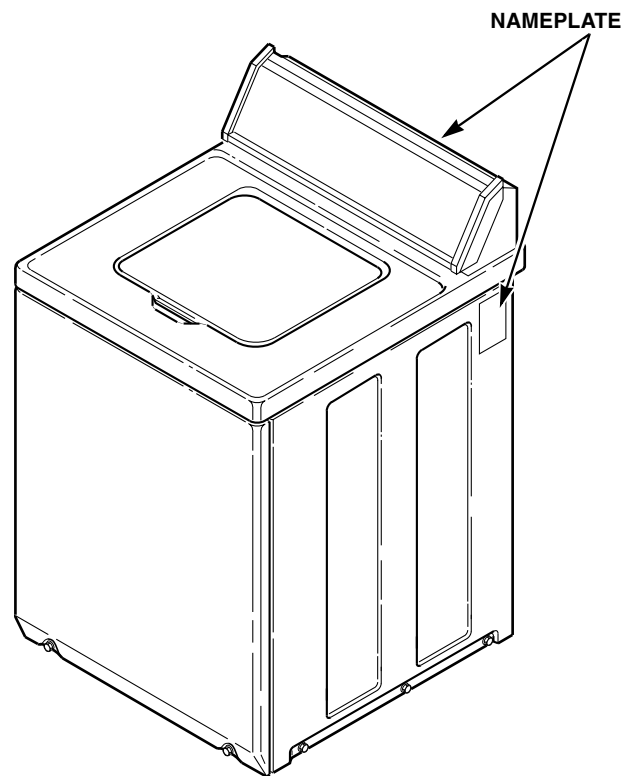
Parts Ordering Information

If literature or replacement parts are required, contact the source from whom the machine was purchased or contact Alliance Laundry Systems LLC at (920) 748-3950 for the name and address of the nearest authorized parts distributor.

For technical assistance, call (920) 748-3121.

Nameplate Location

When calling or writing about your product, be sure to mention model and serial numbers. Model and serial numbers are located on nameplate(s) as shown.



W162S

Model Identification

Information in this manual is applicable to these washers:

Washer Model	Manufacturing Number	Electronic Model	Timer Model	1 Speed Model	2 Speed Model	Porcelain Washtub (Cubic Foot)	Stainless Steel Washtub (Cubic Foot)
LWM251W	P1176301WW		X	X			2.7
LWM353W	P1176401WW		X	X			3.0
LWM353L	P1176402WL		X	X			3.0
LWM423W	P1176403WL		X		X		3.0
LWM423L	P1176404WL		X		X		3.0
LWM433W	P1176501WW		X		X		3.0
LWM433L	P1176502WL		X		X		3.0
LWM833W	P1176503WW		X		X		3.0
LW1000W	P1177501WW		X	X		2.7	
LW2001W	PLW2001W		X	X			2.7
CW3502W	P1163207WW		X	X		3.0	
CW3502L	P1163208WL		X	X		3.0	
LW3502W	P1163201WW		X	X		3.0	
LW3502L	P1163202WL		X	X		3.0	
TW3502G	P1163209WG		X	X		3.0	
LW3503W	P1163203WW		X	X			3.0
LW3503L	P1163204WL		X	X			3.0
CW4202L	PCW4202L		X		X	3.0	
CW4202W	PCW4202W		X		X	3.0	
LW4202W	P1163210WW		X		X	3.0	
LW4202L	P1163211WL		X		X	3.0	
LW4302W	P1163301WW		X		X	3.0	
LW4302L	P1163302WL		X		X	3.0	
LW4303W	P1163303WW		X		X		3.0
LW4303L	P1163304WL		X		X		3.0
TW4303G	P1163312WG		X		X		3.0
LW4603W	P1163403WW	X			X		3.0
LW4603L	P1163404WL	X			X		3.0
CW8203W	PCW8203W		X		X		3.0
LW8203W	P1163212WW		X		X		3.0
LW8253W	PLW8253W		X		X		3.0
CW8403W	P1163311WW		X		X		3.0
LW8403W	P116305WW		X		X		3.0
CW9203W	P1163405WW	X			X		3.0
LW9203W	P1163401WW	X			X		3.0

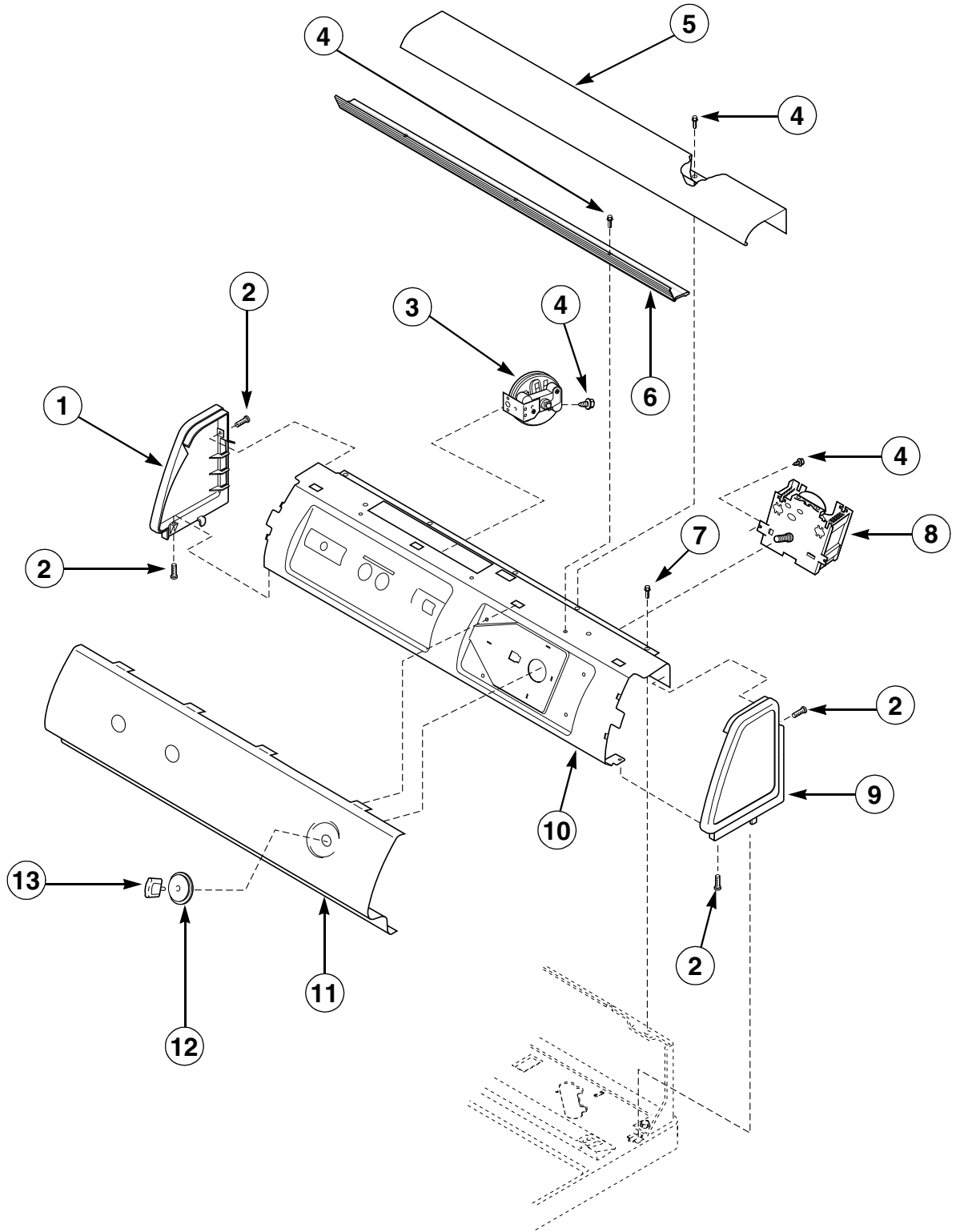
Suffix G indicates Harvest Gold color.

Suffix L indicates Almond color.

Suffix W indicates White color.

Graphic Panel, Control Mounting Plate and Controls

Models LWM251, LW1000 and LW2001



W532P

Graphic Panel, Control Mounting Plate and Controls

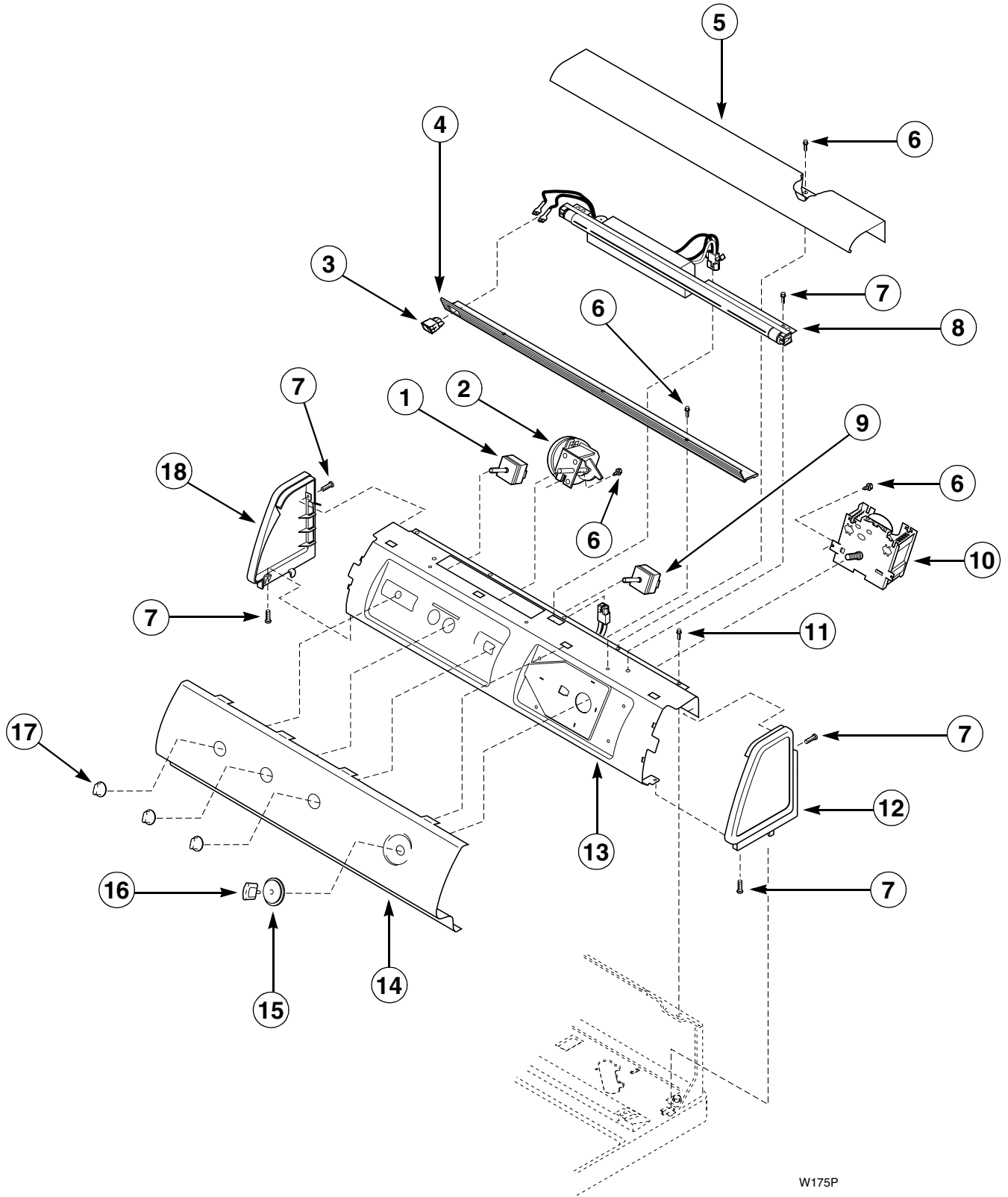
Models LWM251, LW1000 and LW2001

REF	PART NO.	DESCRIPTION	COMMENTS
1	34816	End Panel	Left; N/A
2	501086	Screw	
3	35012	Pressure Switch	Fixed
4	23962	Screw	
5	34823	Top Cover	N/A
6	34826	Diffuser	
7	34904	Screw	
8	31238	Timer	
9	34815	End Panel	Right; N/A
10	38171	Control Mounting Plate	
11	36057	Graphic Panel	Model LWM251; N/A
	36184	Graphic Panel	Models LW1000 and LW2001; N/A
12	33817	Timer Knob Skirt	
13	33897	Timer Knob	

N/A – Part no longer available

Graphic Panel, Control Mounting Plate and Controls

Model LWM833



W175P

Graphic Panel, Control Mounting Plate and Controls

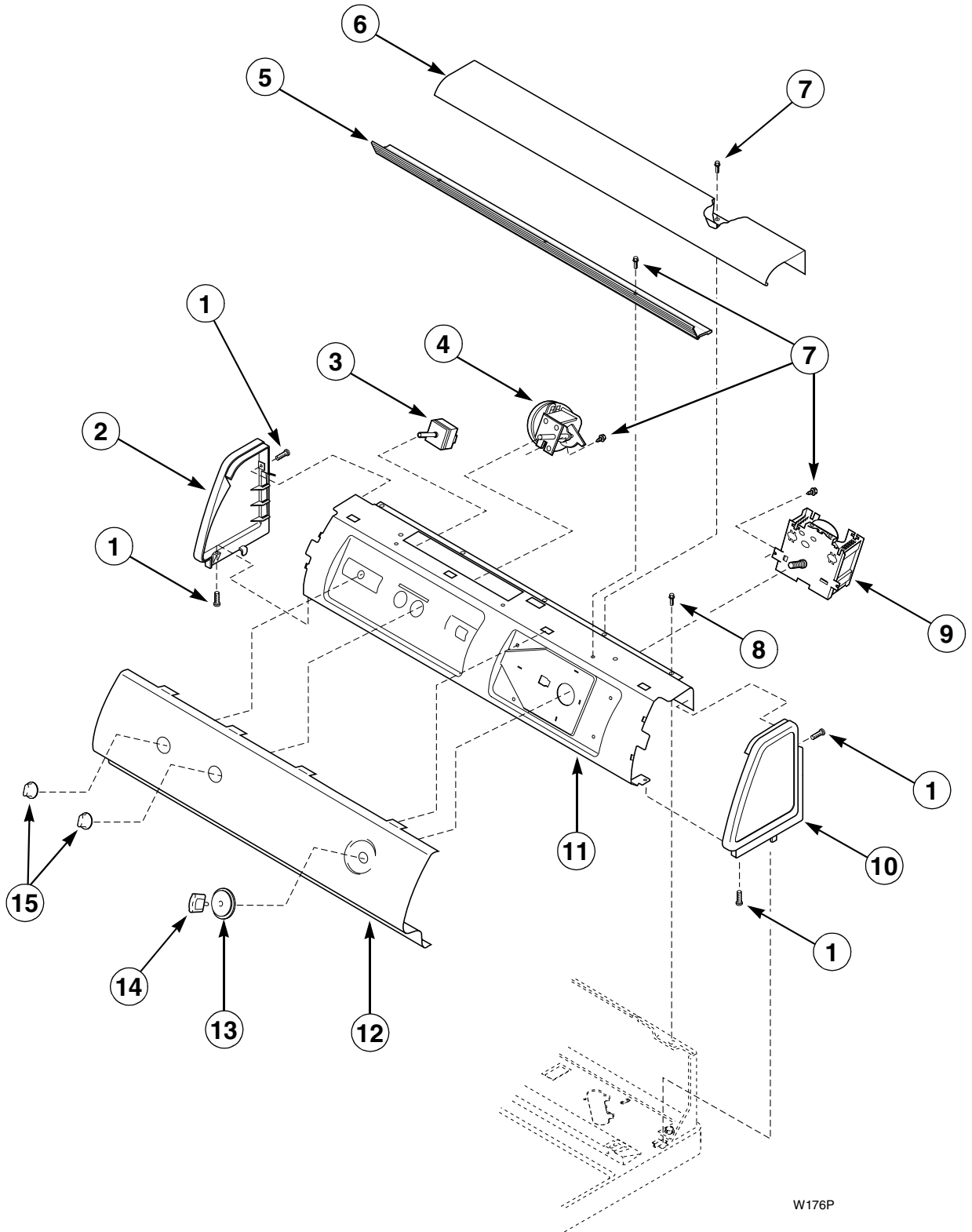
Model LWM833

REF	PART NO.	DESCRIPTION	COMMENTS
1	35116	Temperature Switch	
2	39023	Pressure Switch	
3	35038	Rocker Switch	
4	34829	Diffuser	
5	34824W	Top Cover	
6	23962	Screw	
7	501086	Screw	
8	34836	Fluorescent Light Assembly	Includes Part No. 34837 Light Bulb and 34841 Starter
9	35118	Action Switch	
10	35229	Timer	
11	34904	Screw	
12	34817W	End Panel	Right
13	38171	Control Mounting Plate	
14	36086W	Graphic Panel	N/A
15	35332W	Timer Knob Skirt	
16	35333W	Timer Knob	
17	35330W	Control Knob	
18	34818W	End Panel	Left

N/A – Part no longer available

Graphic Panel, Control Mounting Plate and Controls

Models LWM353, LWM423, CW3502, LW3502, TW3502, LW3503, CW4202 and LW4202



Graphic Panel, Control Mounting Plate and Controls

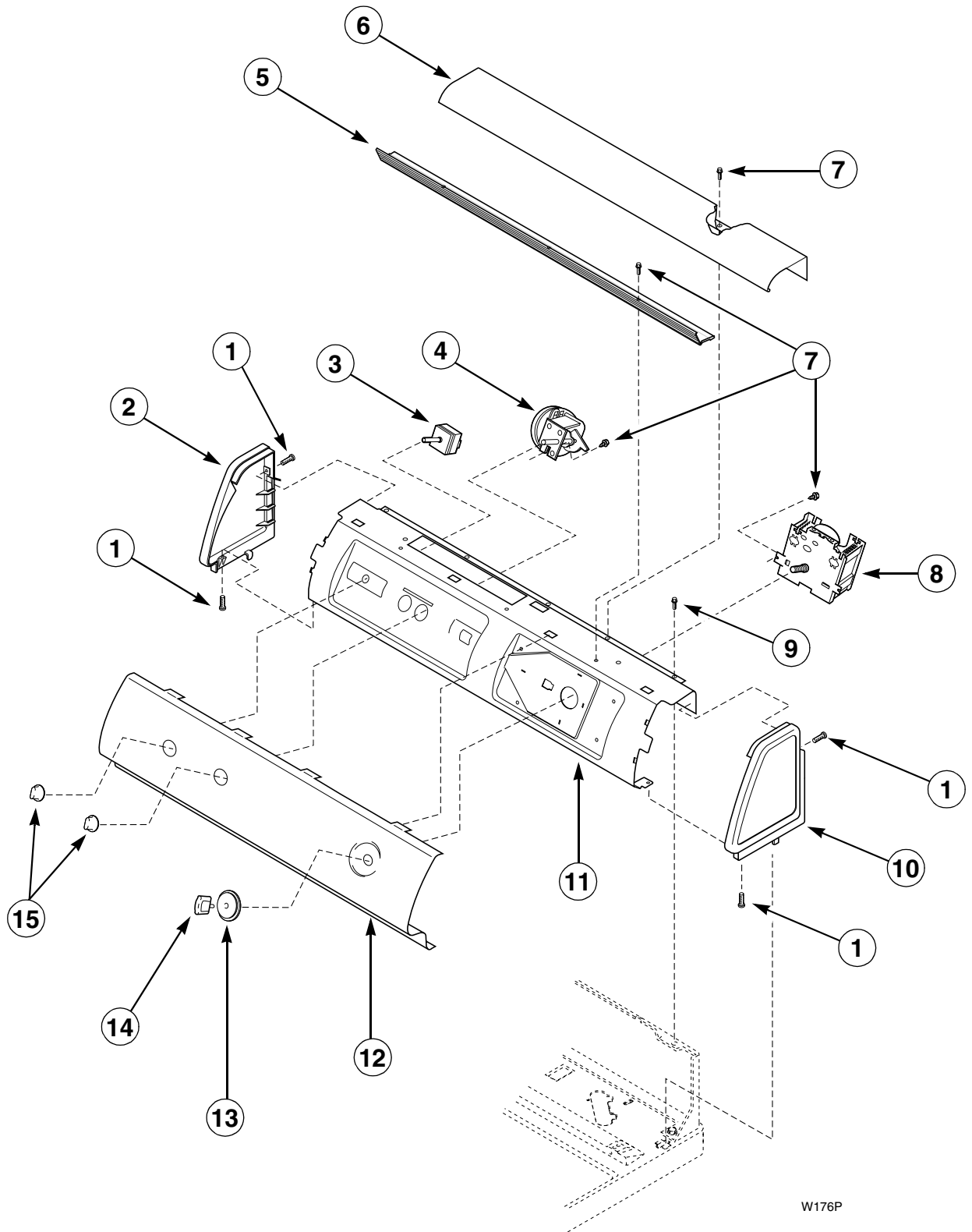
Models LWM353, LWM423, CW3502, LW3502, TW3502, LW3503, CW4202 and LW4202

REF	PART NO.	DESCRIPTION	COMMENTS
1	501086	Screw	
2	34816	End Panel	Left; N/A
3	35115	Temperature Switch	
4	39023	Pressure Switch	
5	34826	Diffuser	
6	34823	Top Cover	N/A
7	23962	Screw	
8	34904	Screw	
9	31239	Timer	
10	34815	End Panel	Right; N/A
11	38171	Control Mounting Plate	
12	36068	Graphic Panel	Model LWM353; N/A
	36075	Graphic Panel	Model LWM423; N/A
	35320	Graphic Panel	Models CW4202 and LW4202; N/A
	35317	Graphic Panel	All other models; N/A
13	34848	Timer Knob Skirt	
14	34844	Timer Knob	
15	34847	Control Knob Assembly	

N/A – Part no longer available

Graphic Panel, Control Mounting Plate and Controls

Model LW8253



W176P

Graphic Panel, Control Mounting Plate and Controls

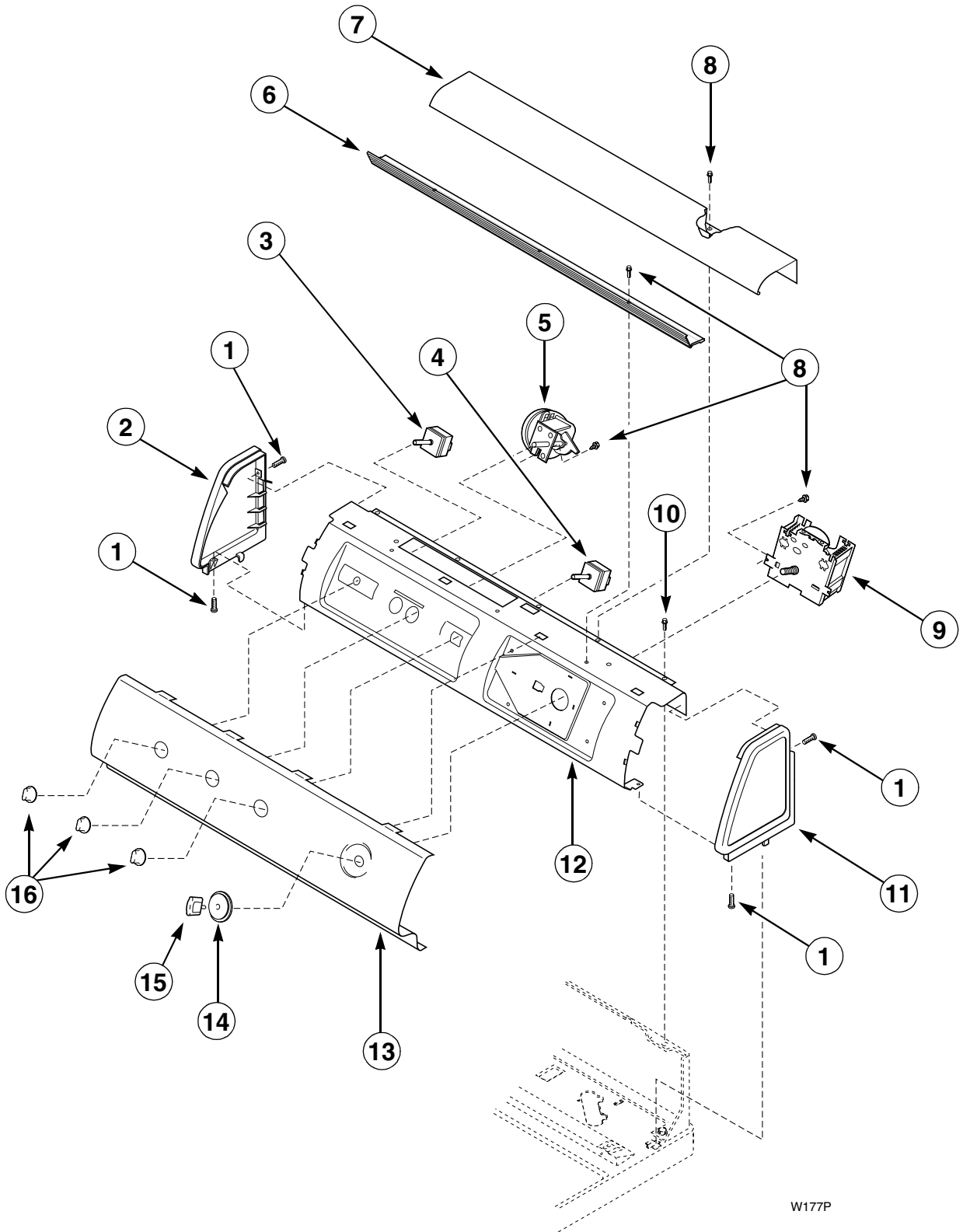
Model LW8253

REF	PART NO.	DESCRIPTION	COMMENTS
1	501086	Screw	
2	34818W	End Panel	Left
3	35115	Temperature Switch	
4	39023	Pressure Switch	
5	34826	Diffuser	
6	34824W	Top Cover	
7	23962	Screw	
8	32039	Timer	
9	34904	Screw	
10	34817W	End Panel	Right
11	38171	Control Mounting Plate	
12	36477W	Graphic Panel	N/A
13	35332W	Timer Knob Skirt	
14	35333W	Timer Knob	
15	35330W	Control Knob Assembly	

N/A – Part no longer available

Graphic Panel, Control Mounting Plate and Controls

Models CW8203, LW8203, CW8403 and LW8403



W177P

Graphic Panel, Control Mounting Plate and Controls

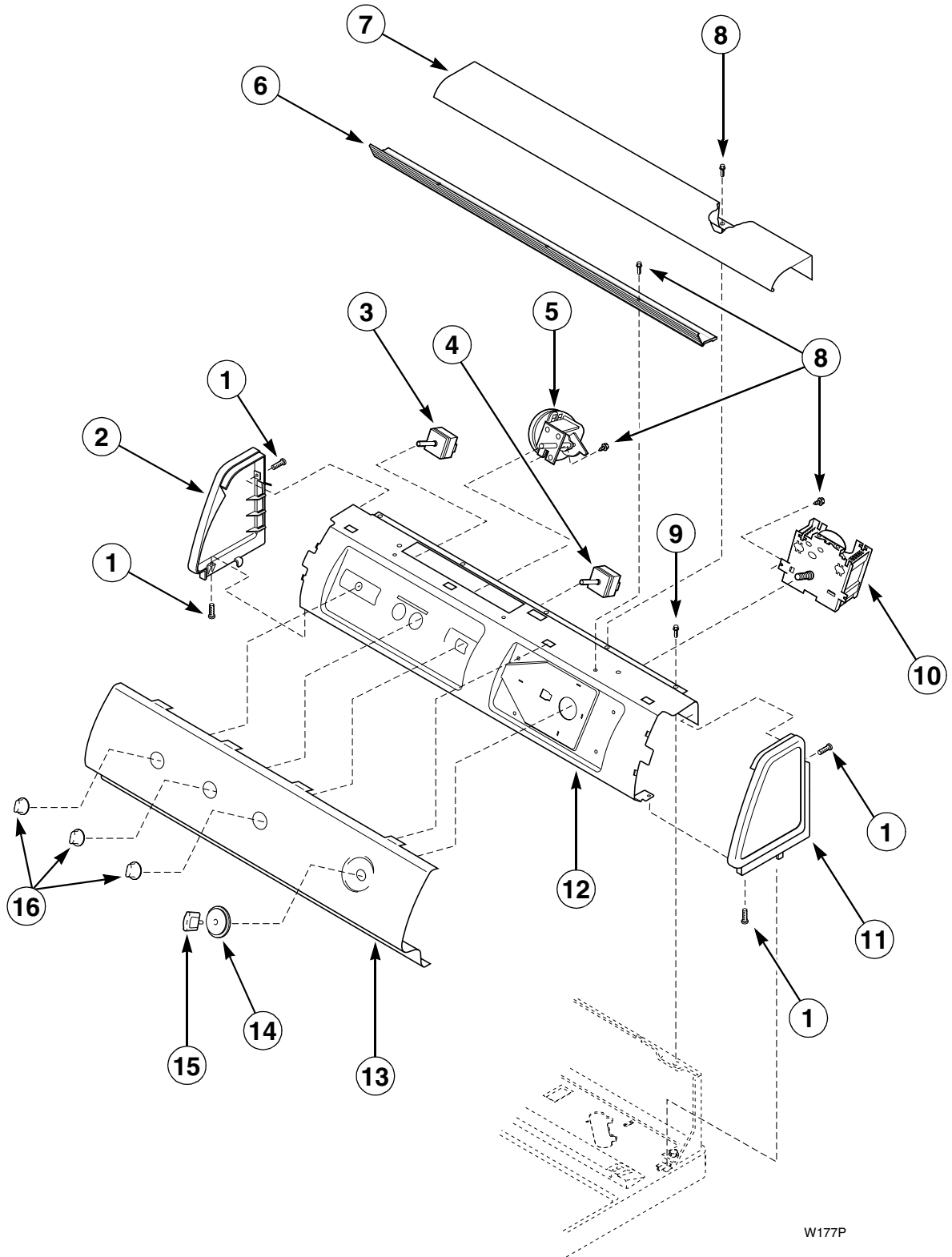
Models CW8203, LW8203, CW8403 and LW8403

REF	PART NO.	DESCRIPTION	COMMENTS
1	501086	Screw	
2	34818W	End Panel	Left
3	35115	Temperature Switch	Models CW8203 and LW8203
	35117	Temperature Switch	Models CW8403 and LW8403
4	35119	Option Switch	Models CW8403 and LW8403
5	39023	Pressure Switch	
6	34826	Diffuser	
7	34824W	Top Cover	
8	23962	Screw	
9	31239	Timer	Models CW8203 and LW8203
	31240	Timer	Models CW8403 and LW8403
10	34904	Screw	
11	34817W	End Panel	Right
12	38171	Control Mounting Plate	
13	36159W	Graphic Panel	Models CW8203 and LW8203; N/A
	35313W	Graphic Panel	Models CW8403 and LW8403; N/A
14	35332W	Timer Knob Skirt	
15	35333W	Timer Knob	
16	35330W	Control Knob Assembly	

N/A – Part no longer available

Graphic Panel, Control Mounting Plate and Controls

Models LWM433, LW4302, LW4303 and TW4303



W177P

Graphic Panel, Control Mounting Plate and Controls

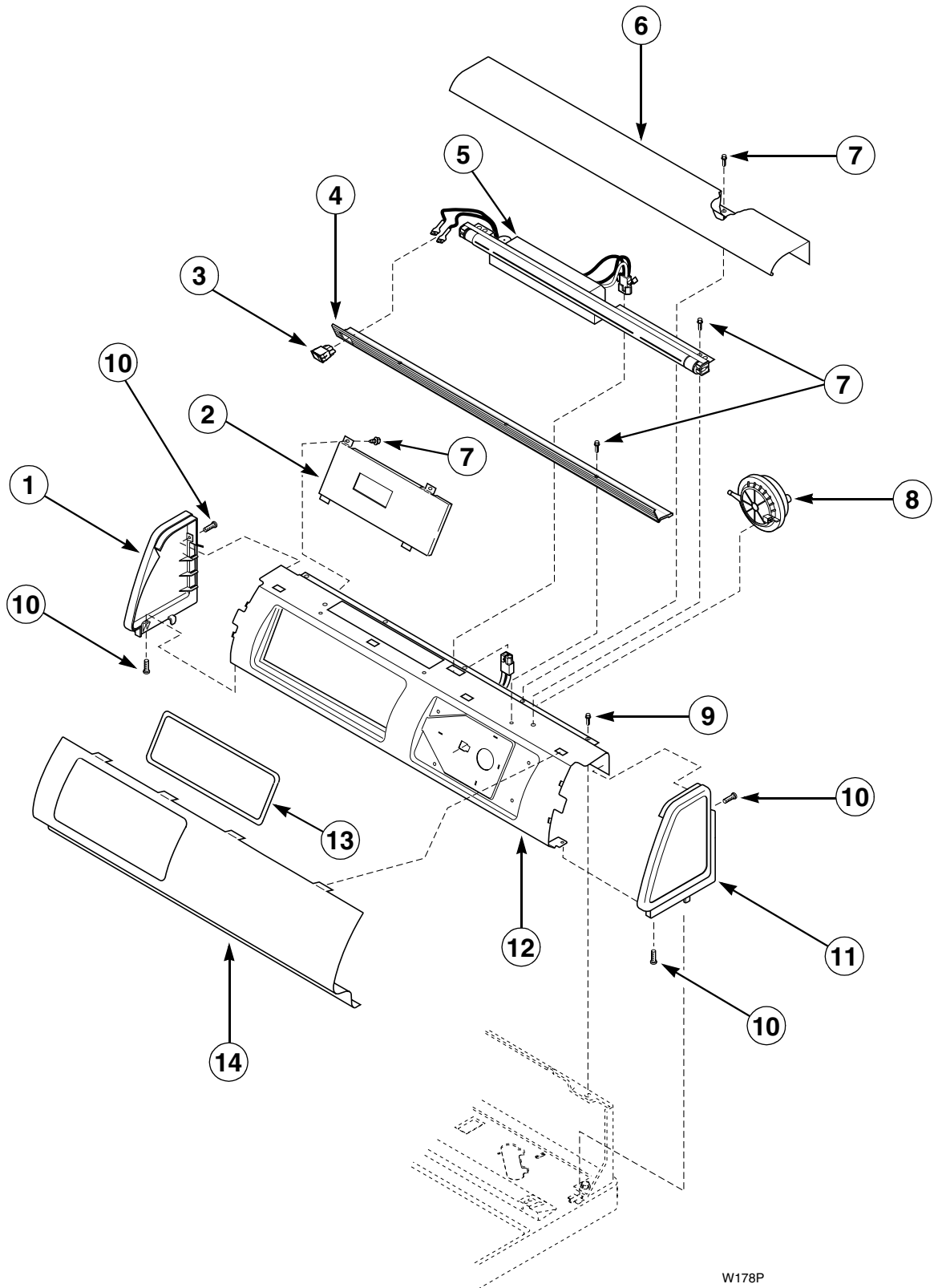
Models LWM433, LW4302, LW4303 and TW4303

REF	PART NO.	DESCRIPTION	COMMENTS
1	501086	Screw	
2	34816	End Panel	Left; N/A
3	35116	Temperature Switch	
4	35118	Option Switch	
5	39023	Pressure Switch	
6	34826	Diffuser	
7	34823	Top Cover	N/A
8	23962	Screw	
9	34904	Screw	
10	35229	Timer	
11	34815	End Panel	Right; N/A
12	38171	Control Mounting Plate	
13	36079	Graphic Panel	Model LWM433; N/A
	35315	Graphic Panel	All other models; N/A
14	34848	Timer Knob Skirt	
15	34844	Timer Knob	
16	34847	Control Knob Assembly	

N/A – Part no longer available

Graphic Panel, Control Mounting Plate and Controls

Models LW4603, CW9203 and LW9203



W178P

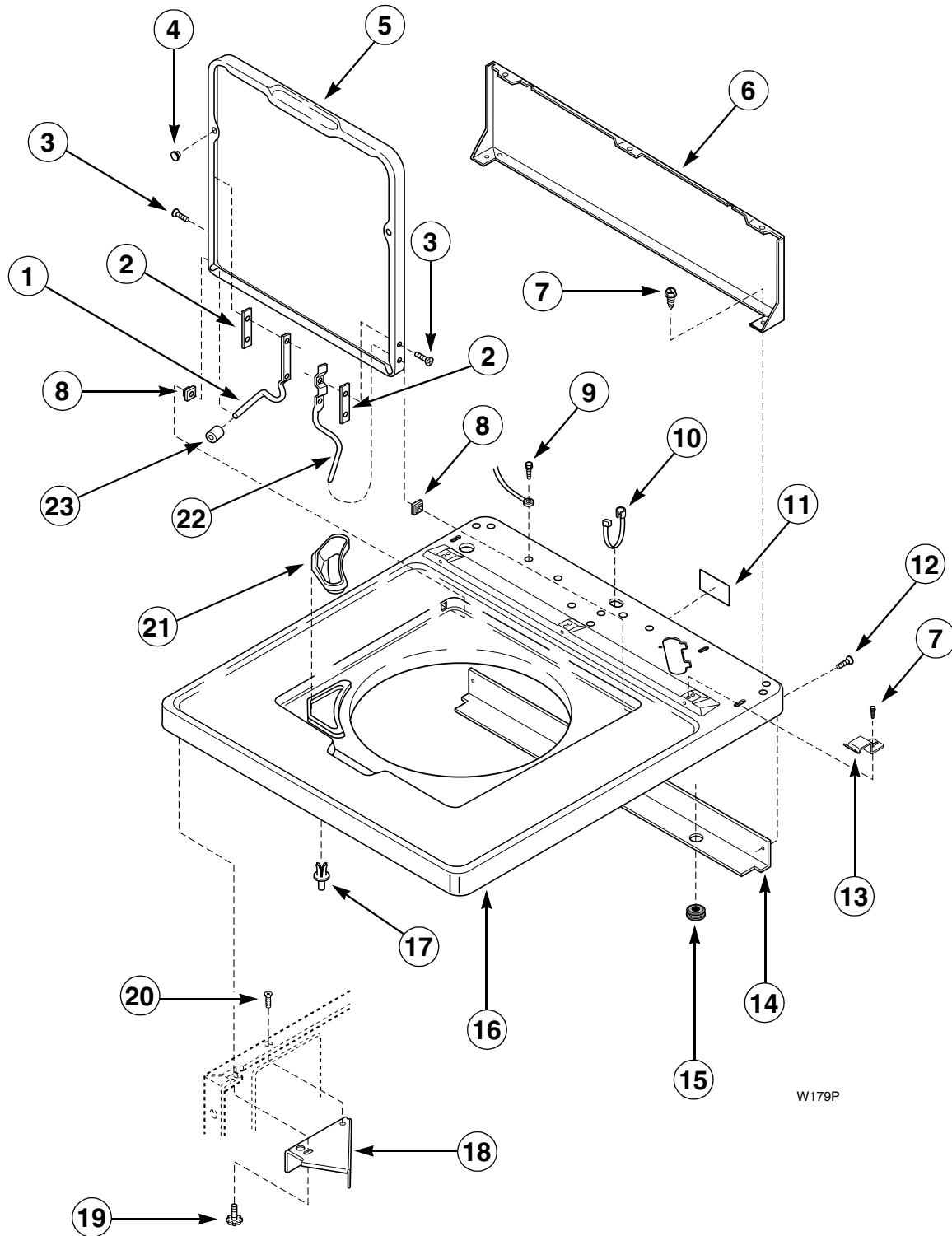
Graphic Panel, Control Mounting Plate and Controls

Models LW4603, CW9203 and LW9203

REF	PART NO.	DESCRIPTION	COMMENTS
1	34816	End Panel	Left; Model LW4603; N/A
	34818W	End Panel	Left; All other models
2	35364	Electronic Control	Model LW4603
	35366W	Electronic Control	All other models; N/A
3	35037	Rocker Switch	Model LW4603
	35038	Rocker Switch	All other models
4	34829	Diffuser	
5	34836	Fluorescent Light Assembly	Includes Part No. 34837 Light Bulb and 34841 Starter
6	34823	Top Cover	Model LW4603; N/A
	34824W	Top Cover	All other models
7	23962	Screw	
8	39078	Pressure Switch	
9	34904	Screw	
10	501086	Screw	
11	34815	End Panel	Right; Model LW4603; N/A
	34817W	End Panel	Right; All other models
12	34822	Control Mounting Plate	
13	35114	Gasket	
14	35318	Graphic Panel	Model LW4603; N/A
	35312W	Graphic Panel	All other models; N/A

N/A – Part no longer available

Cabinet Top, Loading Door and Control Hood Rear Panel



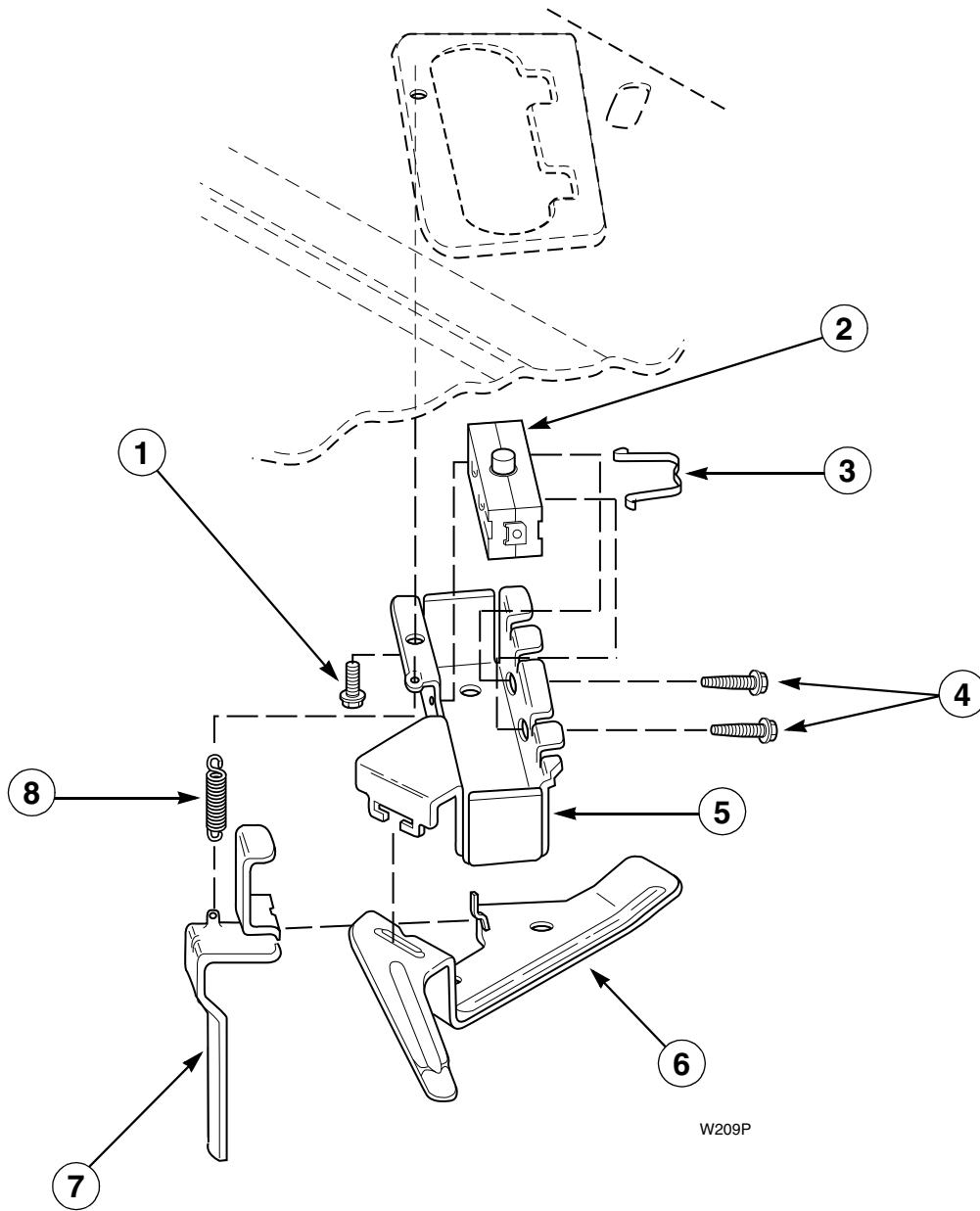
Cabinet Top, Loading Door and Control Hood Rear Panel

REF	PART NO.	DESCRIPTION	COMMENTS
1	36439	Hinge	Left; Models LW4603, CW9203 and LW9203
	36438	Hinge	Left; All other models
2	34338	Gasket	
3	34337	Screw	
4	21685	Bumper	
5	36018*P	Loading Door	Models LW4603, CW9203 and LW9203; N/A
	33541*P	Loading Door	All other models; N/A in Harvest Gold
6	37782	Control Hood Rear Panel	
7	23962	Screw	
8	33446	Bushing	
9	52909	Screw	
10	38384	Strain Relief	
11	500316R4	Sticker	Models CW3502, LW4202, CW8203 and CW9203
	24903R4	Sticker	All other models
12	27196	Screw	Models CW3502, CW4202, CW8203, CW8403 and CW9203
13	35358	Hold-Down Clip	
14	39744	Shield	Models CW3502, CW4202, CW8203, CW8403 and CW9203
15	80262	Grommet	Models CW3502, CW4202, CW8203, CW8403 and CW9203; Use with item 14
16	34902*P	Cabinet Top	N/A in Harvest Gold
17	56534	Rivet	
18	36034	Director Bracket	
19	33562	Screw and Lockwasher	
20	36035	Screw	
21	34776	Bleach Dispenser	Not used on Models LWM251, LW1000 and LW2001
22	36437	Hinge	Right
23	35112	Bumper	Use with item 1

* Add letter to designate color: **L - Almond** **W - White** **H - Harvest Gold**

N/A – Part no longer available

Out-Of-Balance Switch

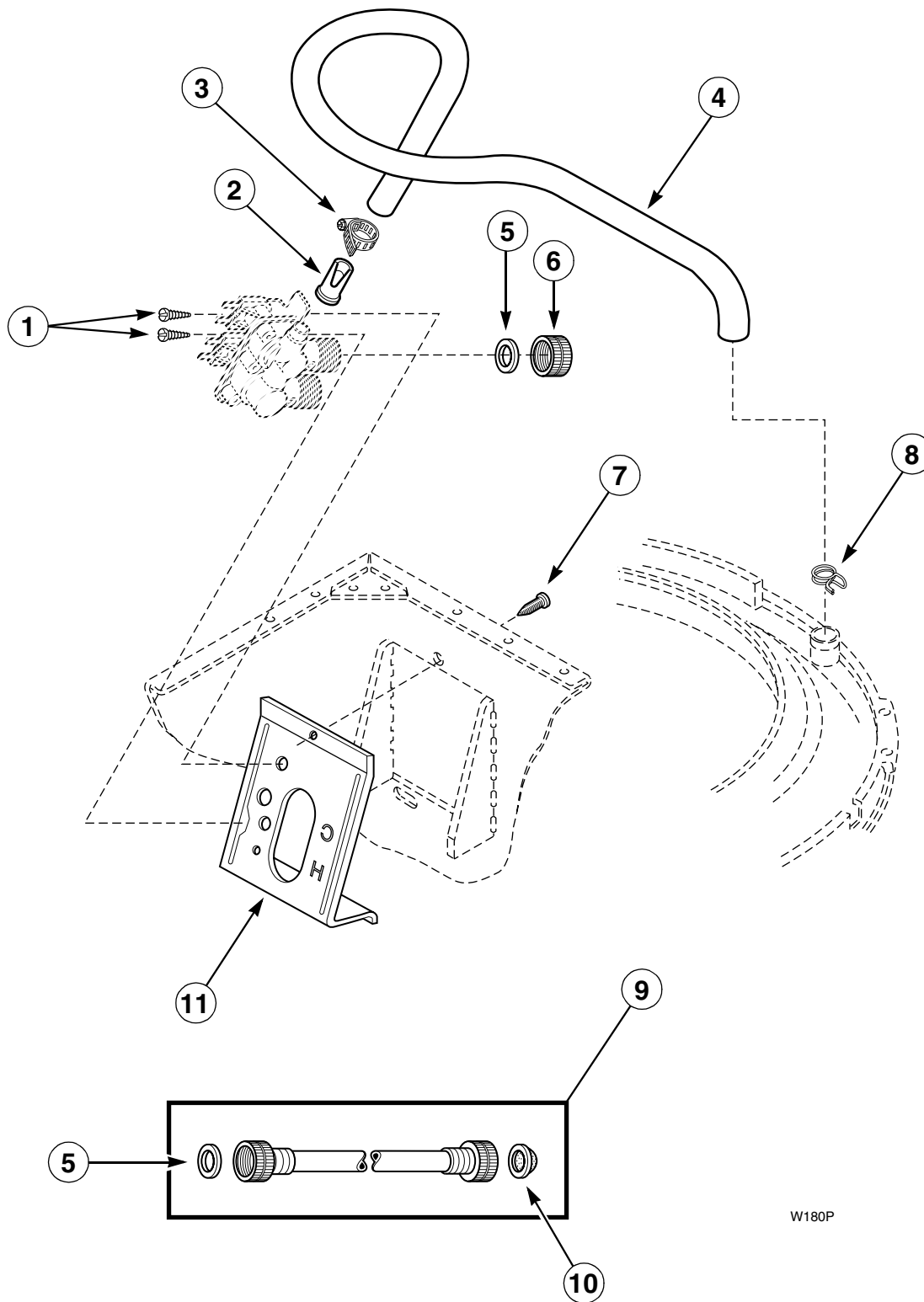


W209P

Out-Of-Balance Switch

REF	PART NO.	DESCRIPTION	COMMENTS
1	23962	Screw	
2	33445	Switch	
3	33433	Clip	For models using Part No. 36497P Switch Holder
4	36510	Screws	For models using Part No. 36497P Switch Holder
5	36497P	Switch Holder	Replaces Part No. 33440 Switch Holder
6	33441	Actuator Arm	
7	33442	Lever	
8	33443	Spring	

Inlet Hose, Fill Hose and Mixing Valve Mounting Bracket



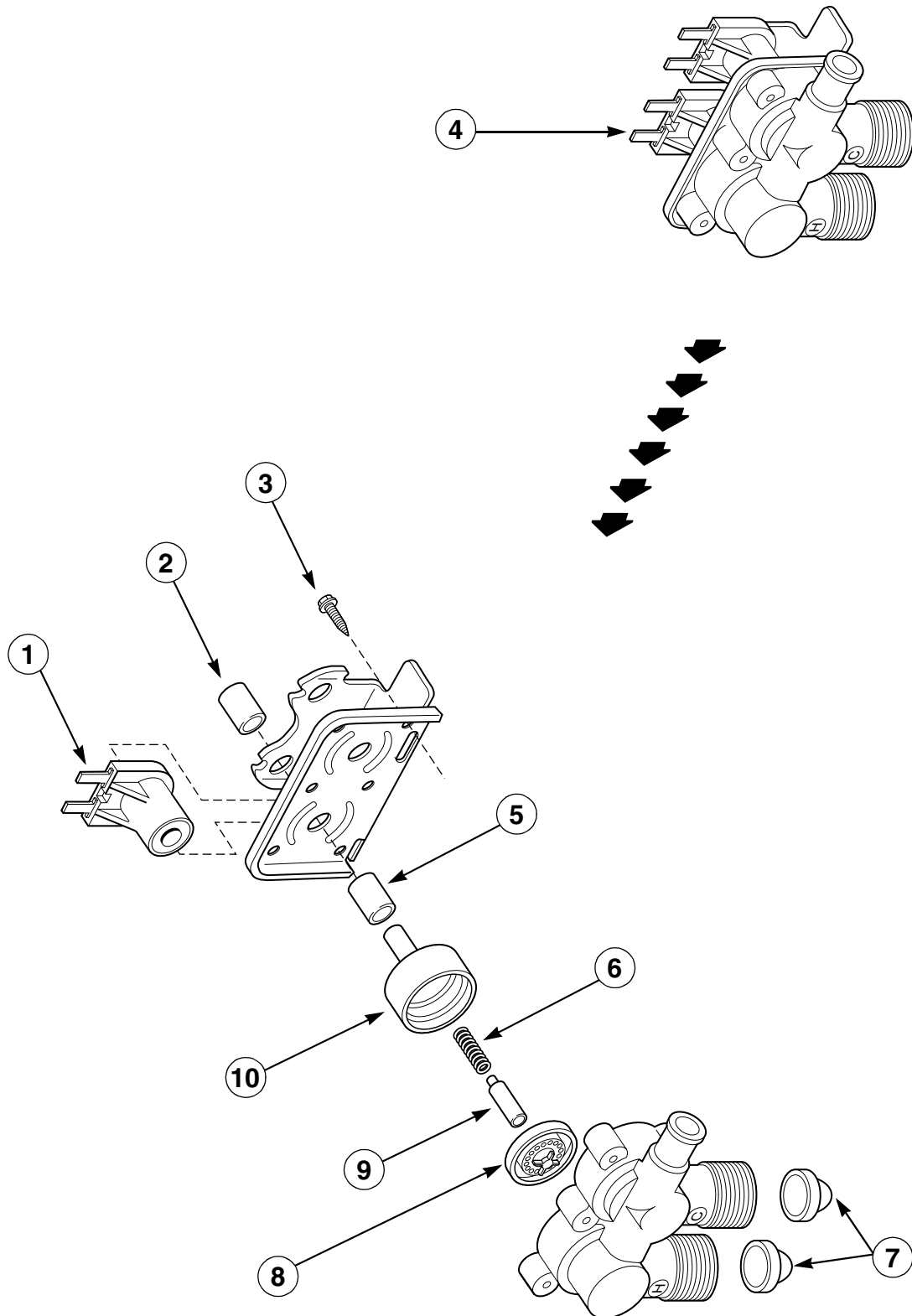
W180P

Inlet Hose, Fill Hose and Mixing Valve Mounting Bracket

REF	PART NO.	DESCRIPTION	COMMENTS
1	23962	Screw	
2	34500	Backflow Preventer	
3	36801	Hose Clamp	
4	35920	Filler Hose	Models LW4603, CW9203 and LW9203; N/A
	35874	Filler Hose	All other models
5	20290	Hose Washer	
6	24145	Cap	Models TW3502 and TW4303
7	33562	Screw	
8	29210	Hose Clamp	Gold
9	28330P	Inlet Hose Assembly Kit	
10	28605	Filter Washer	N/A
11	39407	Mixing Valve Mounting Bracket	

N/A – Part no longer available

Mixing Valve Assembly



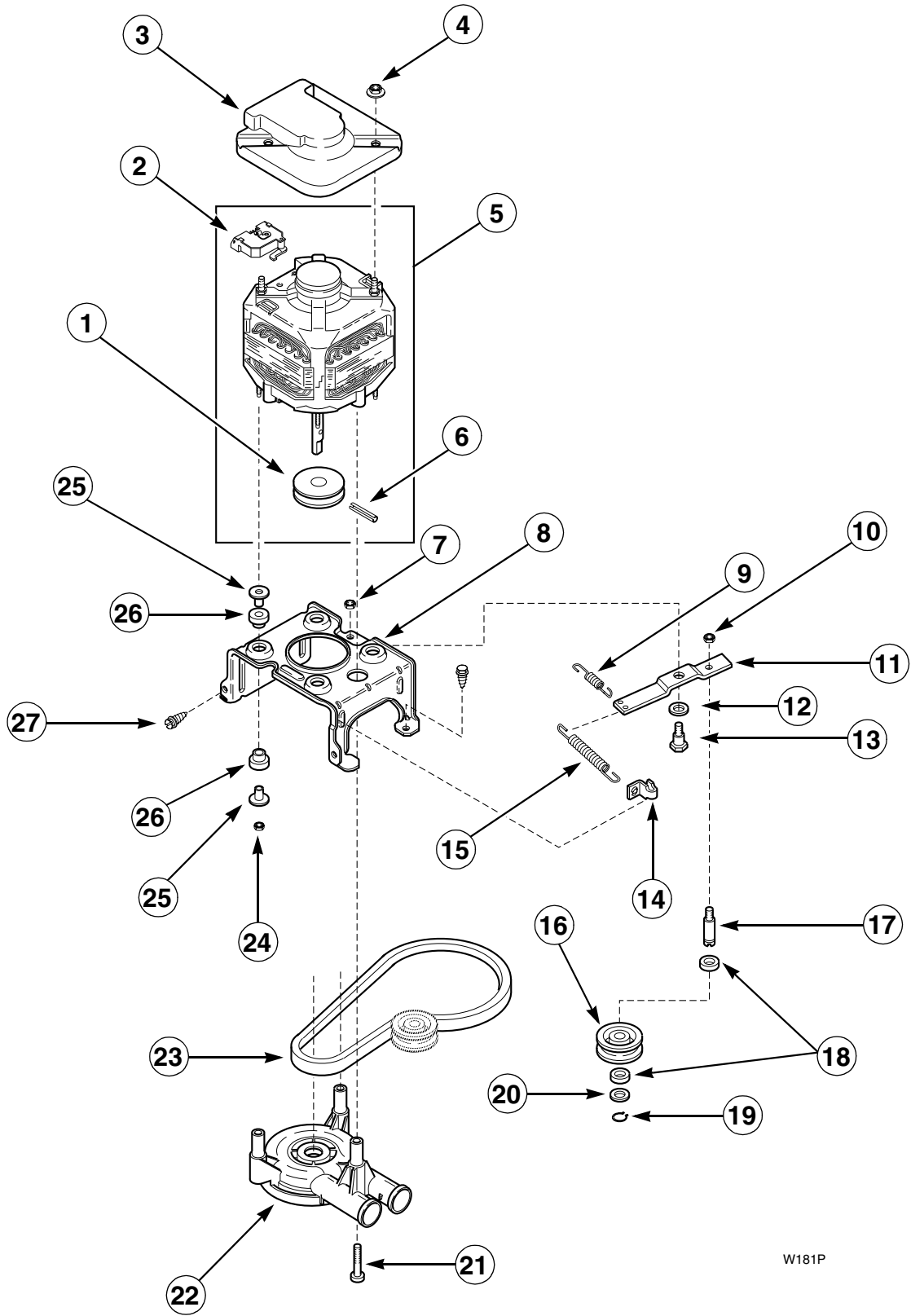
W161P

Mixing Valve Assembly

REF	PART NO.	DESCRIPTION	COMMENTS
1	33930A	Solenoid	
2	24128	Sleeve	Long; N/A
3	25817C	Screw	N/A
4	35177	Mixing Valve Assembly	Models LW4603, CW9203 and LW9203; N/A
	33930	Mixing Valve Assembly	Models TW3502 and TW4303
	34963	Mixing Valve Assembly	All other models
5	24129	Sleeve	Short; N/A
6	23224E	Spring	N/A
7	F270200	Inlet Screen	
8	24134	Diaphragm	N/A
9	24132	Armature	N/A
10	24130	Armature Guide	N/A

N/A – Part no longer available

Motor, Mounting Bracket, Belt, Pump and Idler Assembly



W181P

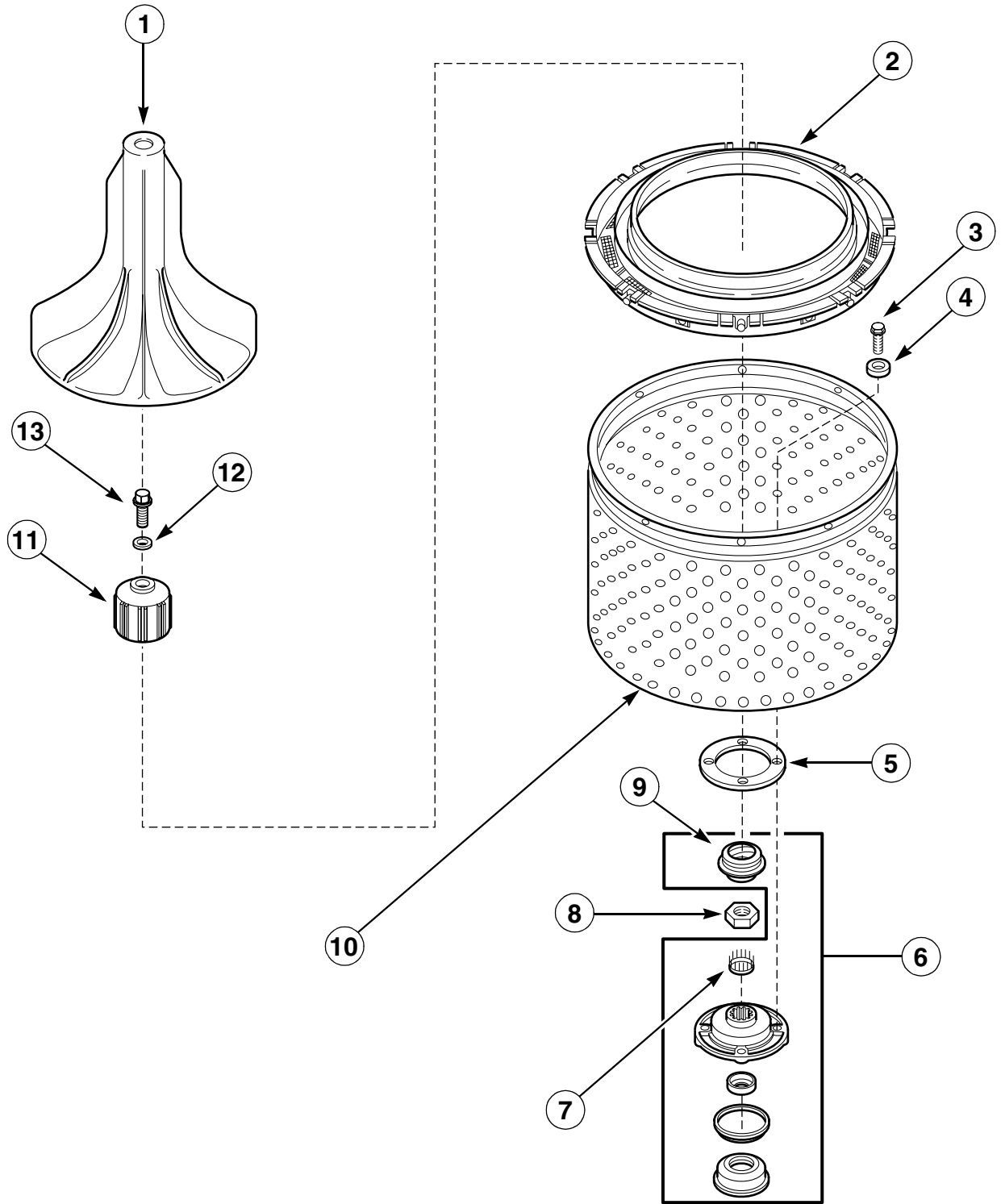
Motor, Mounting Bracket, Belt, Pump and Idler Assembly

REF	PART NO.	DESCRIPTION	COMMENTS
	258P3	Capacitor Kit	For areas where low voltage exists
1	27171	Motor Pulley	Gold; N/A
2	35632	Motor Switch	
3	34754	Motor Shield	
4	35139	Palnut	N/A
5	38036P	Motor Assembly	1 Speed; 115 Volt/60 Hertz
	38035P	Motor Assembly	1 Speed; 120 Volt/60 Hertz with capacitor
	37819	Motor Assembly	2 Speed; 115 Volt/60 Hertz
	38034P	Motor Assembly	2 Speed; 120 Volt/60 Hertz with capacitor
6	23750	Roll Pin	N/A
7	52566	Locknut	
8	34890	Motor Mount	N/A
9	30620	Helper Spring	
10	28803	Locknut	
11	31054	Idler Lever	
12	81392	Washer	
13	27229	Shoulder Bolt	
14	28849	Clip	
15	37366	Spring	
16	28800	Idler Pulley	
17	28802	Idler Shaft	
18	29443	Washer	Felt
19	23748	Retainer Ring	
20	52549	Washer	Nylatron
21	34565	Screw	
22	36863P	Pump Assembly	
23	28808	Belt	Agitate and spin
24	35423	Nut	
25	34971	Motor Mount Post	
26	34788	Motor Mount	Rubber
27	503661	Screw	

N/A – Part no longer available

Agitator, Drive Bell, Seal Kit, Washtub and Hub

Models LWM251, LW1000 and LW2001



W127P

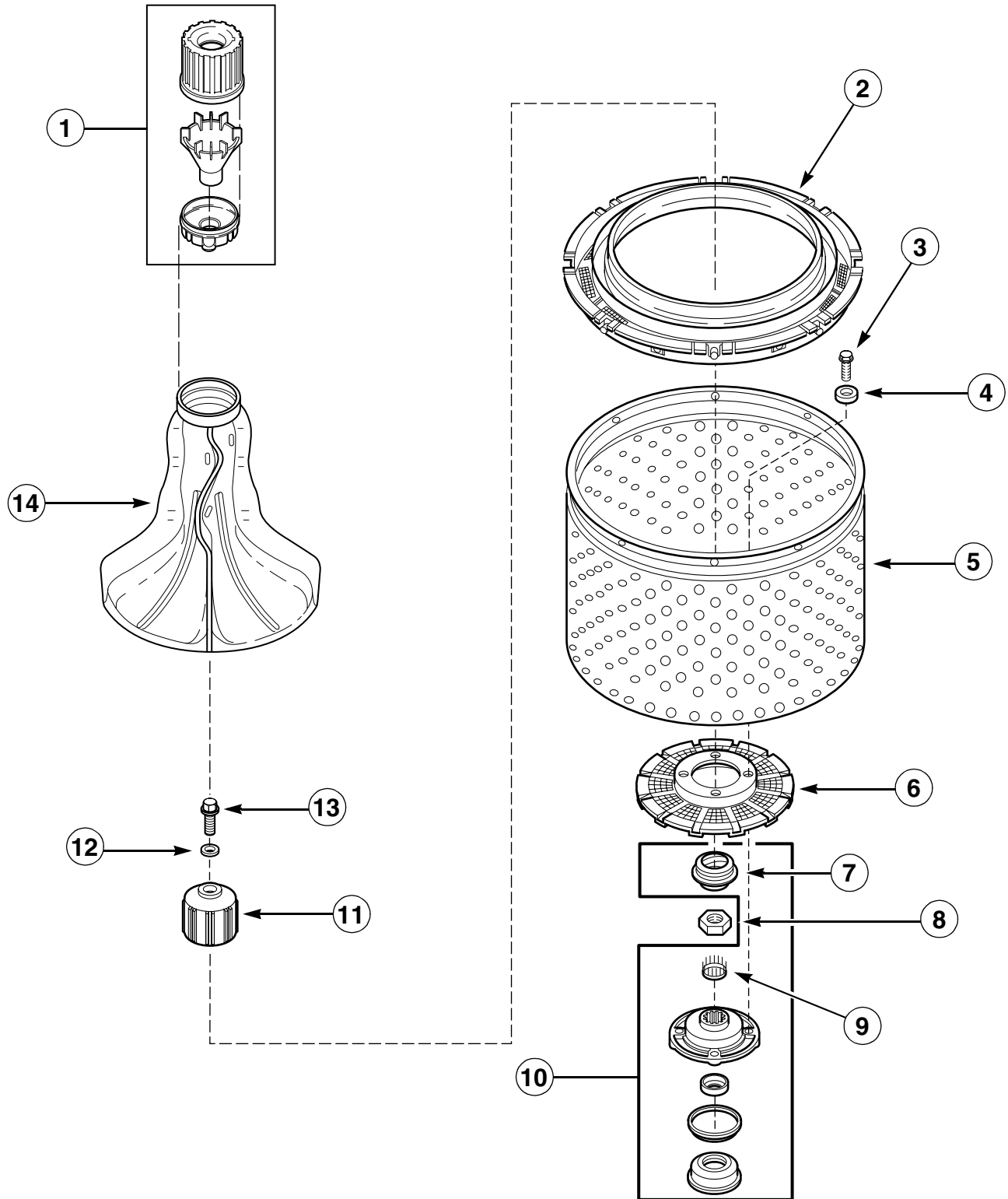
Agitator, Drive Bell, Seal Kit, Washtub and Hub

Models LWM251, LW1000 and LW2001

REF	PART NO.	DESCRIPTION	COMMENTS
1	33513	Agitator	
2	32990	Clothes Guard	
3	27202	Cap Screw	
4	28094	Gasket	
5	39122	Gasket	
6	495P3	Hub and Seal Kit	Includes item 11 and Part No. 32857 Cover Gasket
7	29728	Splined Insert	
8	29220	Locknut	
9	39508P	Hub and Transmission Seal Kit	Includes items 11, 12 and 13
10	39252P	Washtub	Blue porcelain; Model LW1000
	39387P	Washtub	Stainless Steel; Models LWM251 and LW2001
11	34504P	Drive Bell and Seal Kit	Includes items 9, 12 and 13
12	36472	O-Ring	
13	39432	Shoulder Screw	

Agitator, Drive Bell, Clothes Guard, Lint Filter and Hub

All Models Except LWM251, LW1000 and LW2001



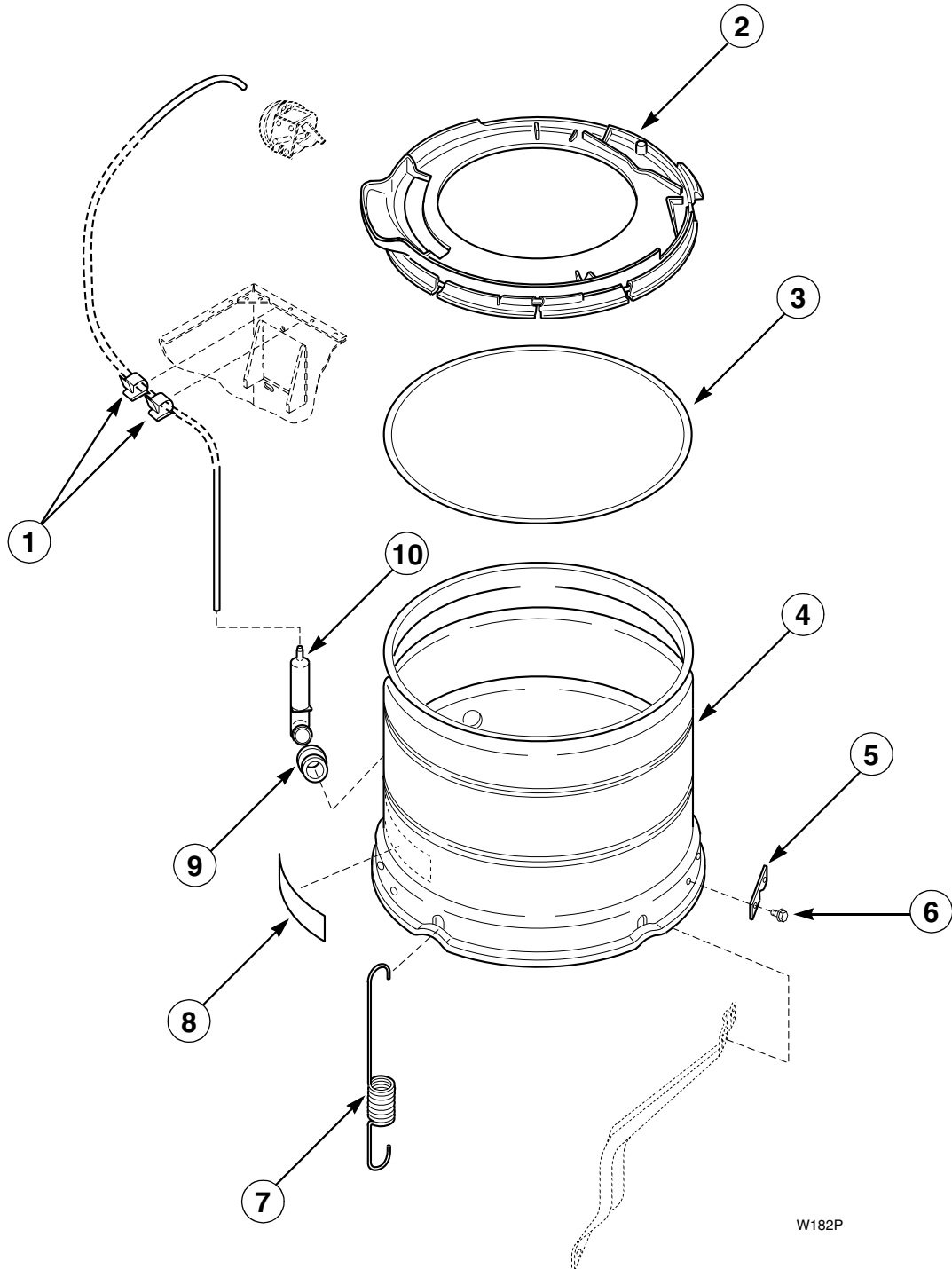
W415P

Agitator, Drive Bell, Clothes Guard, Lint Filter and Hub

All Models Except LWM251, LW1000 and LW2001

REF	PART NO.	DESCRIPTION	COMMENTS
1	36542	Fabric Softener Dispenser	
2	35035	Clothes Guard	
3	27202	Cap Screw	
4	28094	Gasket	
5	39240P	Washtub	White porcelain; Models CW3502, LW3502, TW3502, CW4202, LW4202 and LW4302
	719P3	Washtub	Stainless Steel; All other models
6	39371	Lint Filter	
7	34184	Hub and Transmission Tube Seal	Included with item 11
8	29220	Locknut	
9	29728	Splined Insert	
10	495P3	Hub and Seal Kit	Includes item 11 and Part No. 32857 Cover Gasket
11	39508P	Drive Bell and Seal Kit	Includes items 7, 12 and 13
12	36472	O-Ring	
13	39432	Shoulder Screw	
14	33174	Agitator	

Outer Tub, Cover and Pressure Hose

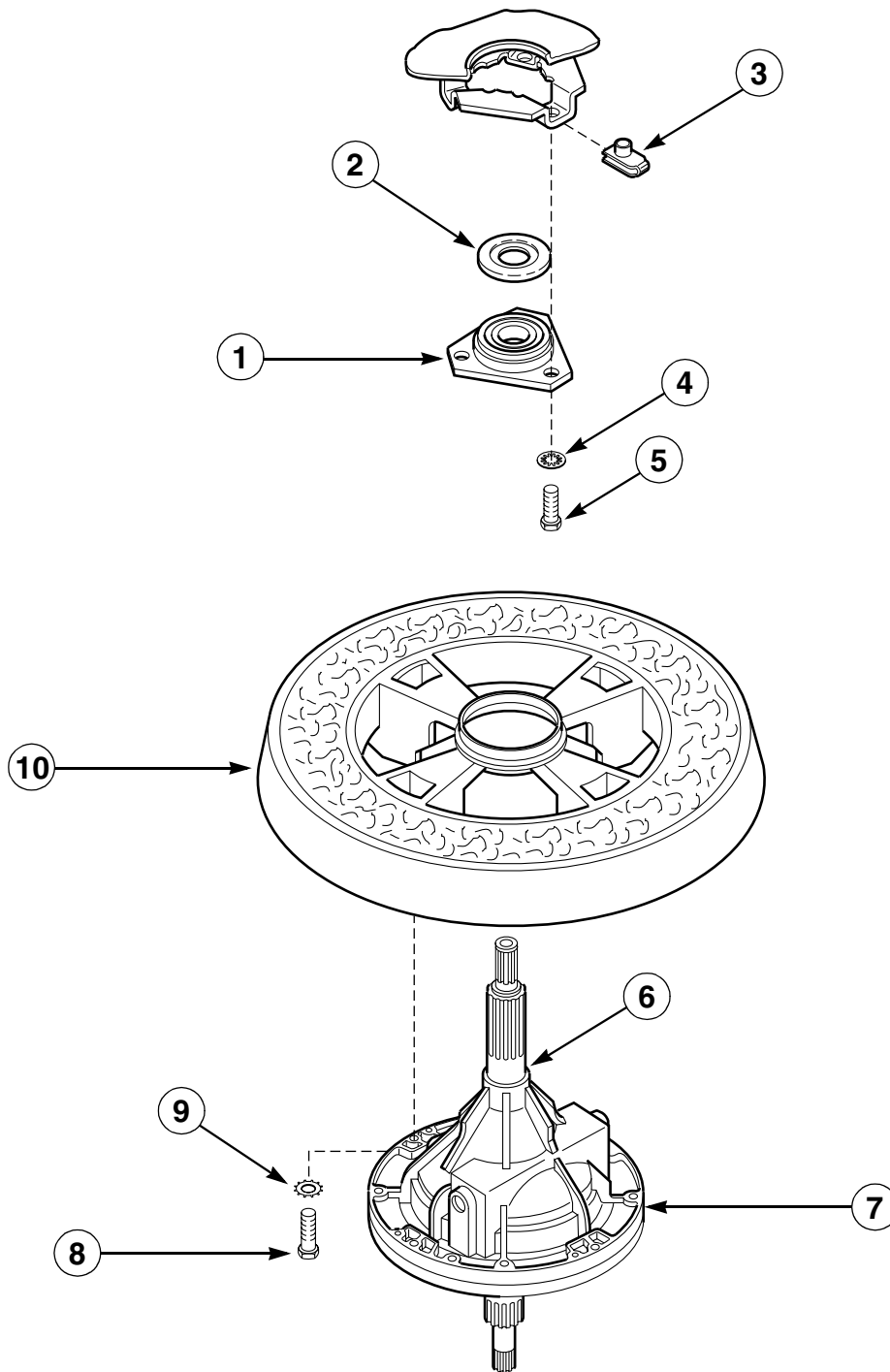


W182P

Outer Tub, Cover and Pressure Hose

REF	PART NO.	DESCRIPTION	COMMENTS
1	21036	Clips	
2	36025	Outer Tub Cover Assembly	Includes item 3
3	32857	Gasket	
4	34439P	Outer Tub	Models LWM251, LW1000 and LW2001
	34438P	Outer Tub	All other models
5	27926	Leg Plate	
6	35369	Screw	
7	35947	Centering Spring	Models LWM251, LW1000 and LW2001
	35948	Centering Spring	All other models
8	500049	Sticker	
9	29175	Grommet	
10	30907	Pressure Bulb	

Transmission Assembly and Balance Ring



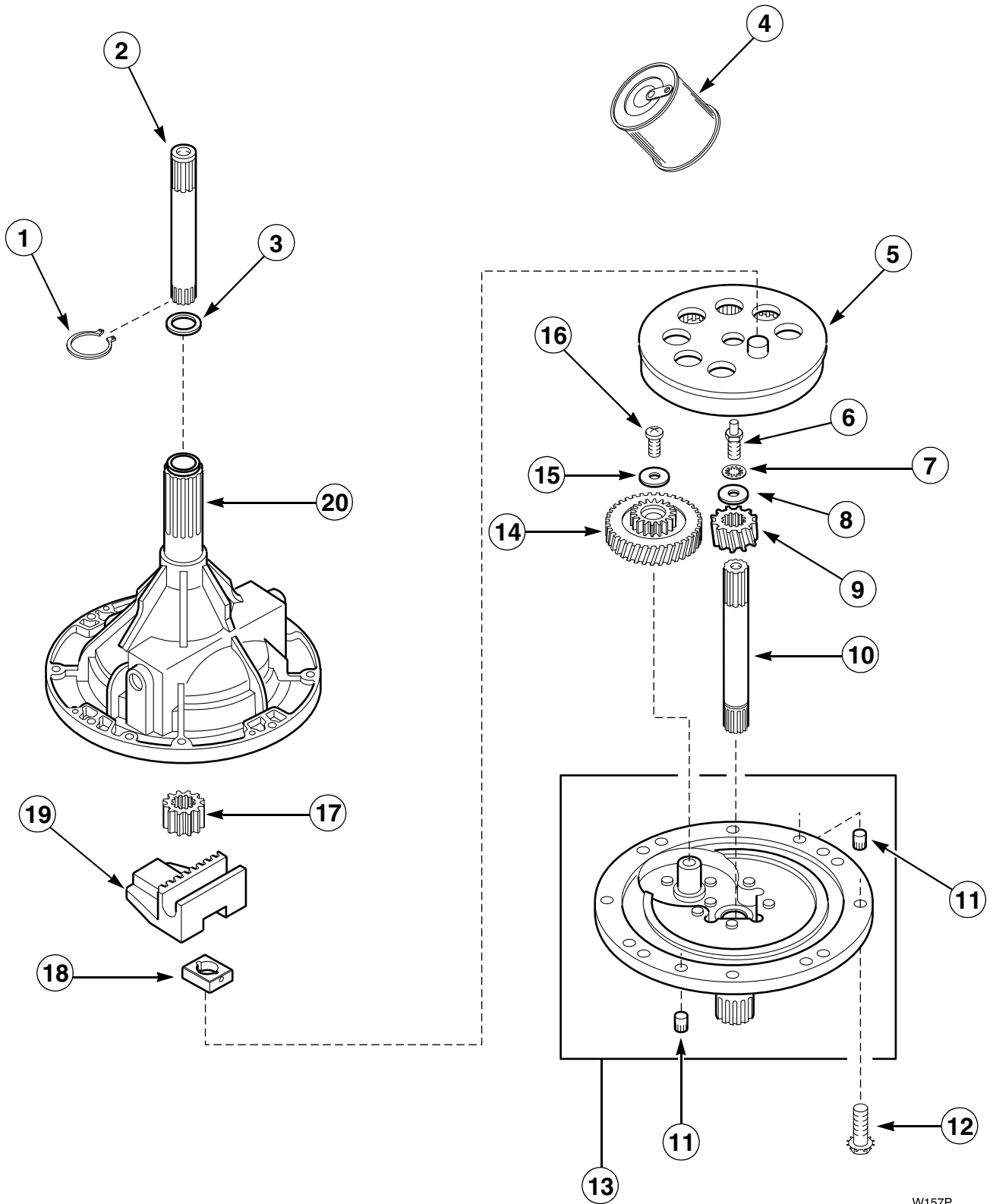
W156P

Transmission Assembly and Balance Ring

REF	PART NO.	DESCRIPTION	COMMENTS
1	27182	Bearing Housing Assembly	
2	27187	Flinger	Through Serial No. 9510053576
3	27222	Retainer Nut	
4	04366	Lockwasher	
5	M400057	Cap Screw	
6	27604P	Anti-Seize Compound	Apply to this area of both the upper and lower transmission tubes
7	34526P	Transmission Assembly	See page 36 for component parts
8	27200	Cap Screw	N/A
9	02431	Lockwasher	
10	34731	Balance Ring	

N/A – Part no longer available

34526P Transmission Assembly

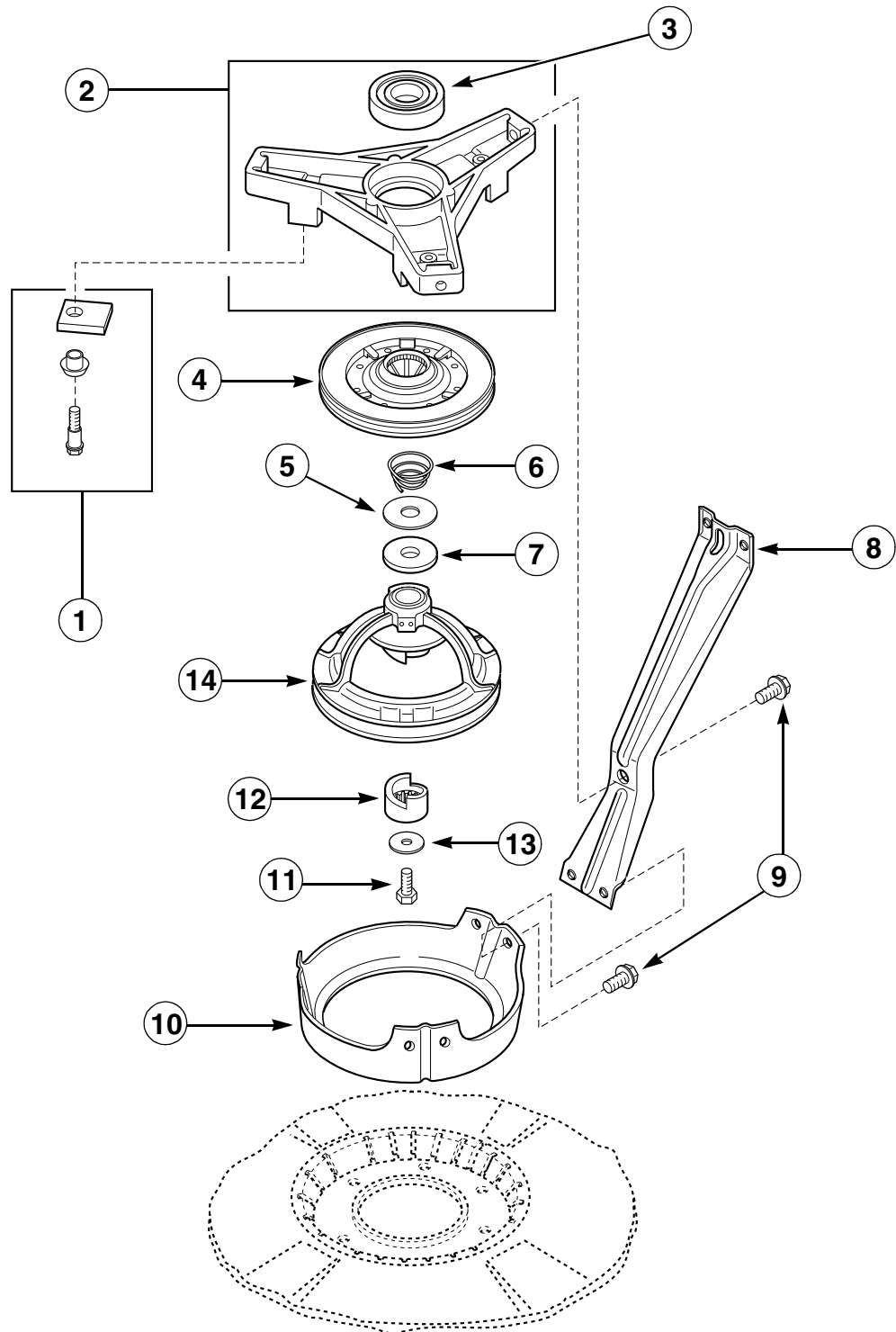


W157P

34526P Transmission Assembly

REF	PART NO.	DESCRIPTION	COMMENTS
	37577P	Loctite	Use as a sealant between transmission case and cover
1	27197	Retainer Ring	
2	36570	Output Shaft	
3	35092	Washer	
4	27243P	Transmission Oil	1 fill
5	26577	Internal Gear	
6	27030	Special Screw	
7	21456	Lockwasher	
8	26509	Washer	
9	36562	Drive Pinion	
10	34853	Input Shaft	
11	27172	Dowel Pin	
12	32814	Screw	
13	38290	Transmission Cover Assembly	
14	29161	Reduction Gear	
15	29260	Washer	
16	29273	Screw	
17	27003	Agitator Pinion	
18	26493	Slide	
19	31526	Rack	
20	33223	Transmission Case Assembly	

Bearing Housing, Brake, Pulley and Pivot Dome

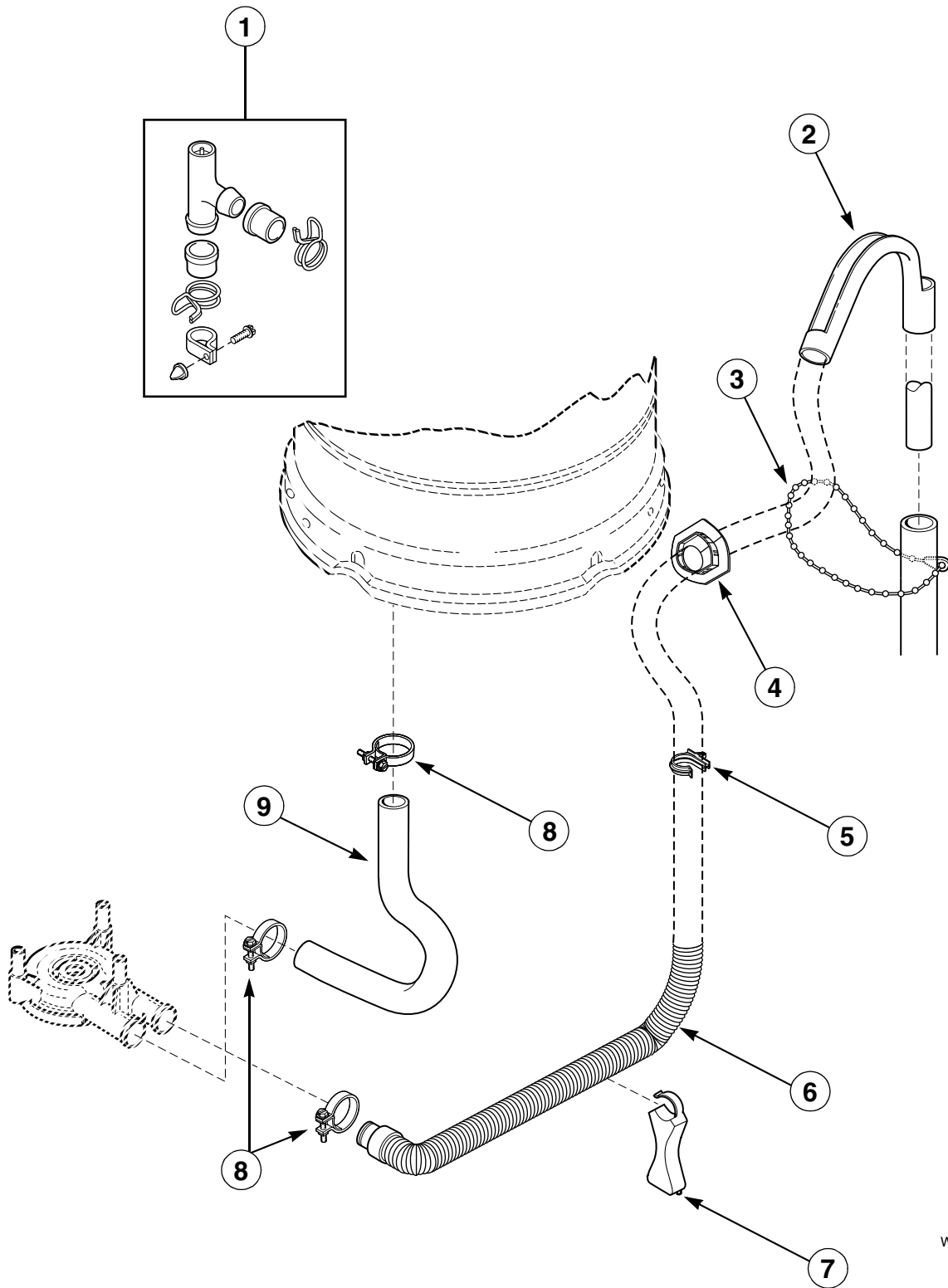


W130P

Bearing Housing, Brake, Pulley and Pivot Dome

REF	PART NO.	DESCRIPTION	COMMENTS
	26594P	Silicone Lubricant	Apply small amount to each new brake pad
1	548P3	Brake Pad Kit	Includes sleeves, screws and 3 pads
2	35746	Bearing Housing Assembly	
3	28944R	Bearing	
4	38505P	Brake Assembly	
5	35535	Washer	Thin
6	33435	Spring	
7	27015	Washer	Thick
8	34792	Support Leg	Models LWM251, LW1000 and LW2001
	34471	Support Leg	All other models
9	35369	Screw	
10	34470	Pivot Dome	
11	27220	Screw	
12	27018	Helix	
13	26509	Washer	
14	34923	Pulley Assembly	Models LWM251, LW1000 and LW2001
	34921	Pulley Assembly	All other models

Drain Hose and Siphon Break



W183P

Drain Hose and Siphon Break

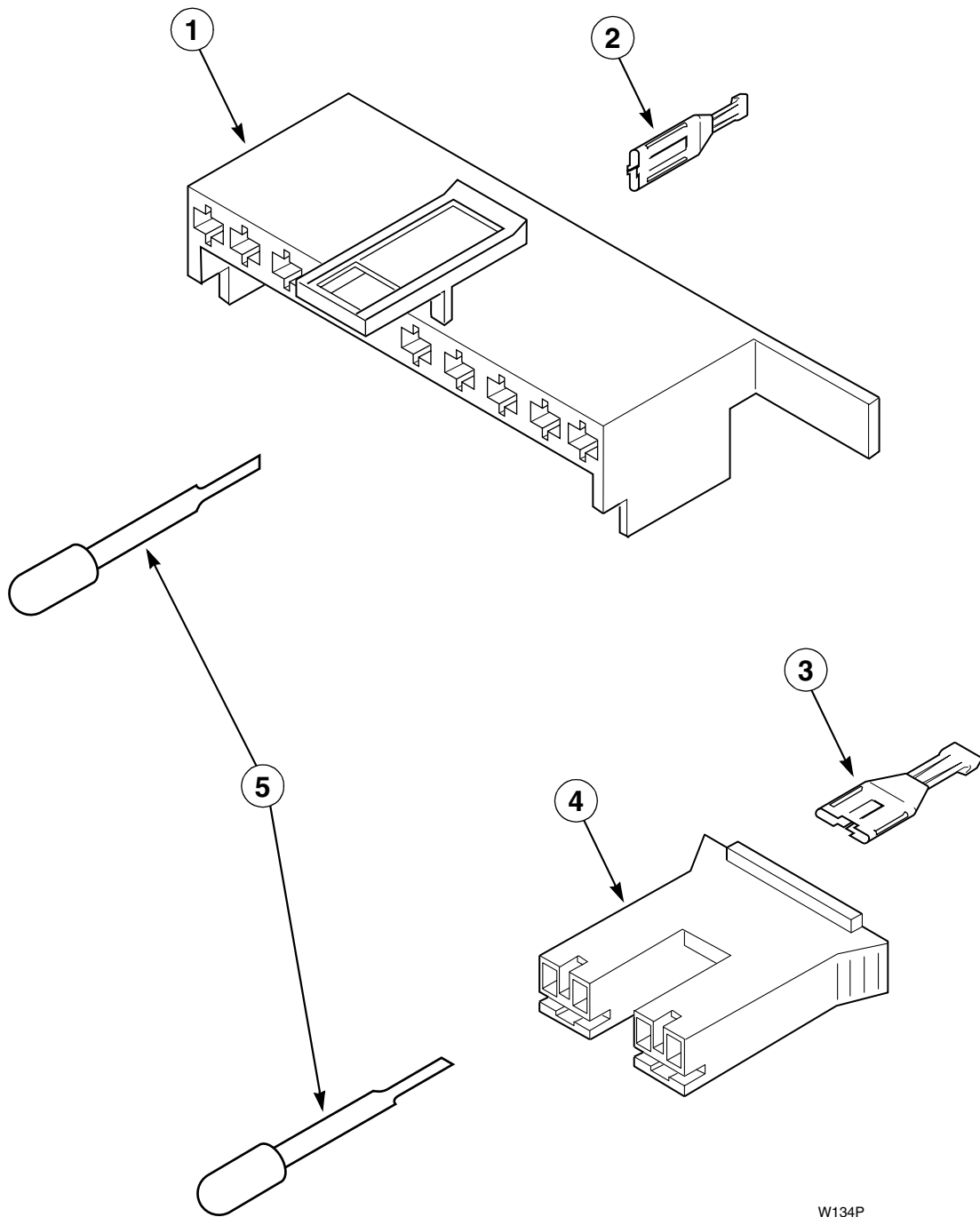
REF	PART NO.	DESCRIPTION	COMMENTS
	406P3	Drain Extension Kit	Use with Part No. 20616 Drain Hose, order by the foot as required
1	562P3	Siphon Break Kit	Must be installed in drain hose if drain receptacle is lower than cabinet top of washer
2	33615	Drain Hose Sleeve	
3	33489	Beaded Tie-Down Strap	
4	32219	Drain Hose Strain Relief	
5	36014	Hose Retainer Clip	
6	39950	Drain Hose	
7	35487	Hose Support	
8	36802	Hose Clamp	
9	35752	Tub-To-Pump Hose	Models LWM251, LW1000 and LW2001
	35753	Tub-To-Pump Hose	All other models

Front Panel, Base and Cabinet Assembly

REF	PART NO.	DESCRIPTION	COMMENTS
1	56128	Bumper Pad	Thin
2	56079	Guide Lug	
3	32671	Screw	
4	36226	Bumper Pad	Thick
5	51780	Screw	
6	23962	Screw	
7	27103	Hinge	
8	38612*P	Cabinet Assembly	N/A in Harvest Gold
9	27196	Screw	
10	34443	Leveling Leg and Stabilizer Bar Assembly	
11	35148	Screw	
12	36036	Bracket	Right
13	34434P	Base Assembly	Includes items 10, 11, 12, 14, 16, 17 and 18
14	34319	Leveling Leg	
15	34318	Rubber Foot	
16	21899	Locknut	
17	36108	Snubber Pad and Isolator Assembly	
18	36037	Bracket	Left
19	28102	Guide Lug	
20	34656*P	Front Panel	Includes items 21, 22 and attaching hardware; N/A in Harvest Gold
21	35865	Hold-Down Clip	
22	35097	Brace	

N/A – Part no longer available

Mixing Valve and Motor Connection Blocks, Terminals and Terminal Extractor Tool

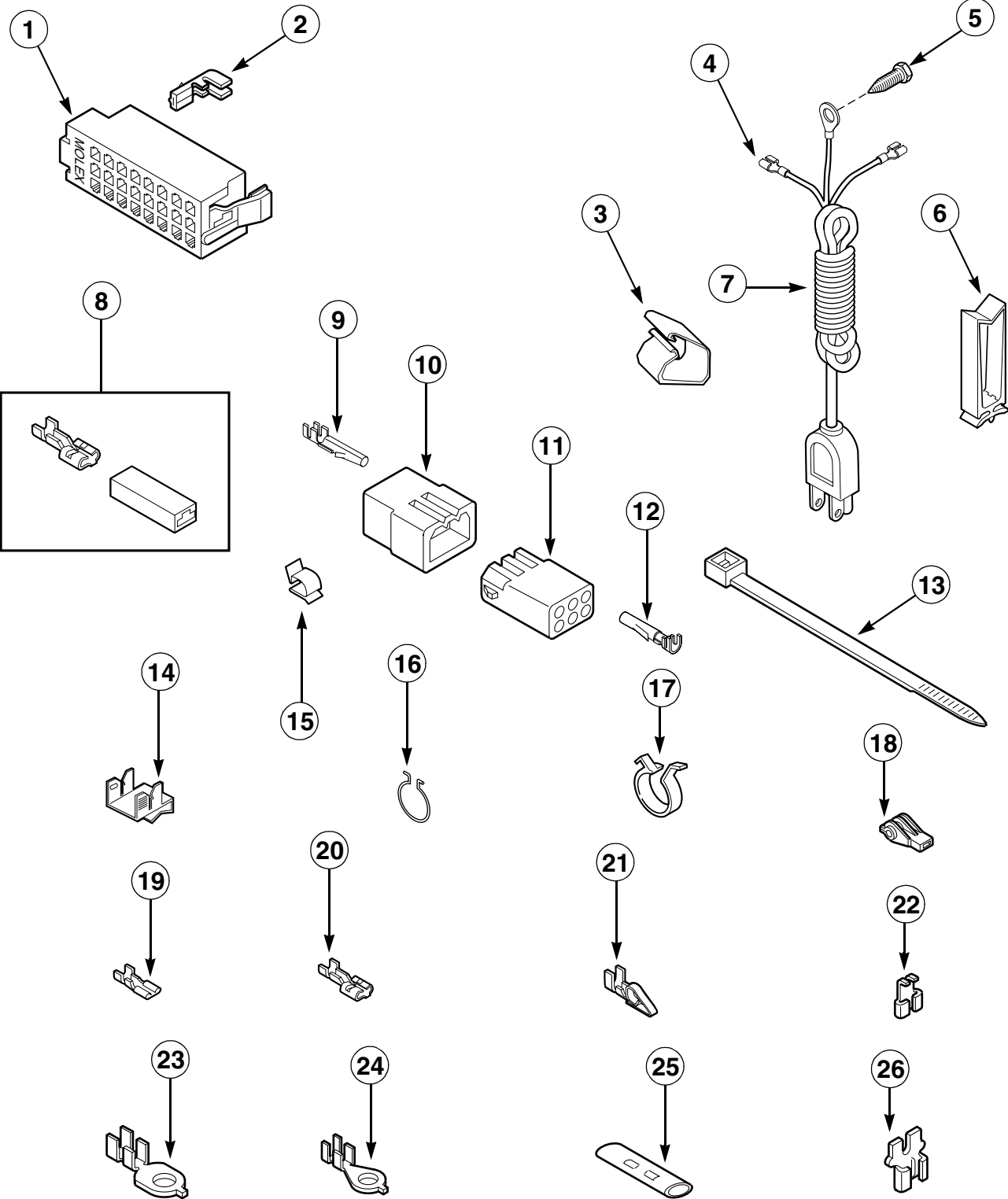


W134P

Mixing Valve and Motor Connection Blocks, Terminals and Terminal Extractor Tool

REF	PART NO.	DESCRIPTION	COMMENTS
1	34677	Molex Housing	Motor
2	00188	Molex Terminal	For 1 or 2 wire application
3	00121	Spade Terminal	1/4 inch
4	34675	Amp Housing	Mixing valve; Natural
	34676	Amp Housing	Mixing valve; Red
5	283P4	Terminal Extractor Tool	

Power Cord and Terminals

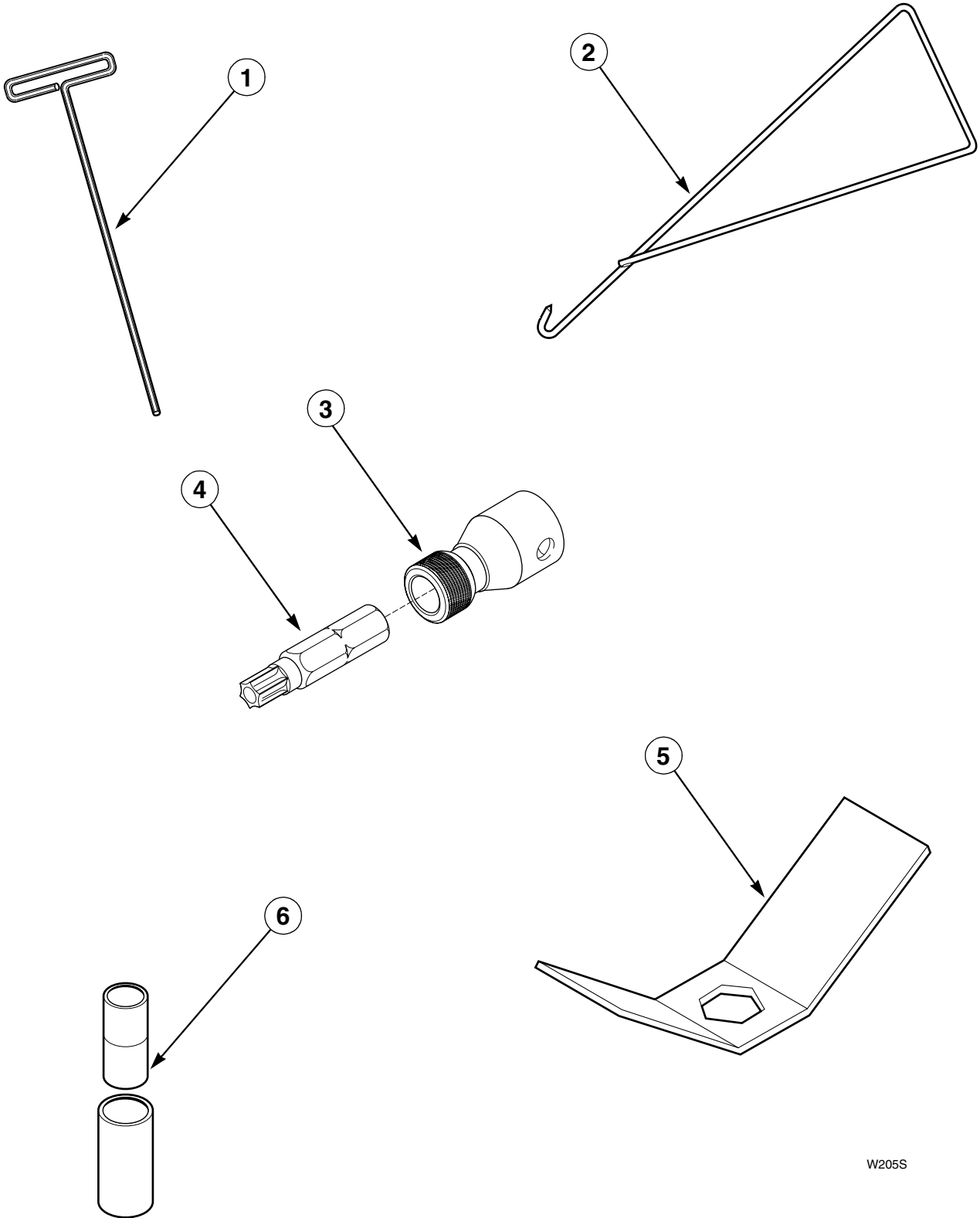


W185P

Power Cord and Terminals

REF	PART NO.	DESCRIPTION	COMMENTS
1	32746	Molex Housing	Right
	34123	Molex Housing	Left
2	00188	Molex Terminal	Used for 1 or 2 wire application
3	35521	Harness Clip	
4	03673	Nut	
5	52909	Screw	
6	36274	Harness Clip	
7	39404	Power Cord	Models LW4603, CW9203 and LW9203
	34458	Power Cord	All other models
8	00234	Terminal and Housing Assembly	
9	00116	Terminal	Male
10	26302	Terminal Block	1 circuit
	23041	Terminal Block	6 circuit
	23033	Terminal Block	9 circuit
11	26301	Terminal Block	1 circuit
	26708	Terminal Block	6 circuit
	26163	Terminal Block	9 circuit
12	00117	Terminal	Female
13	55881	Wire Tie	
14	00161	Ground Clip	
15	21036	Cable Clip	
16	51291	Wire Clip	
17	504034	Wire Clip	
18	70210	Plastic Insulator	
19	00112	Spade Terminal	Small
20	00223	Spade Terminal	Large
21	00220	Spade Terminal	Female; 1/4 inch
22	00120	Right Angle	Flag terminal
23	00113	Eyelet Terminal	1/4 inch ring
24	00110	Eyelet Terminal	Small shank
25	21091	Connector	
26	29673	Double Connector	

Special Tools

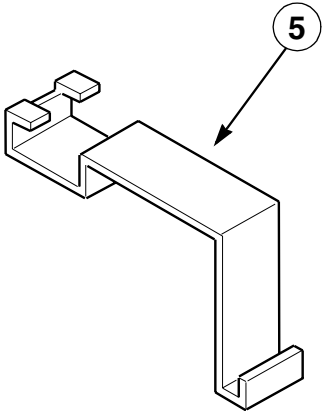
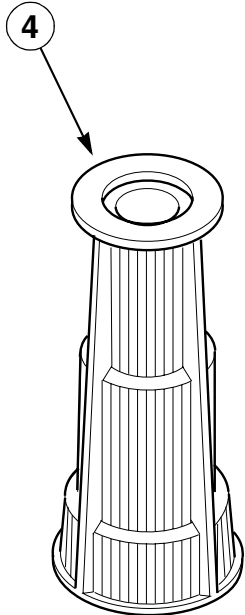
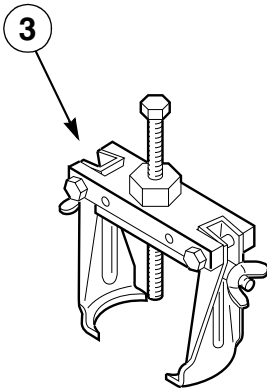
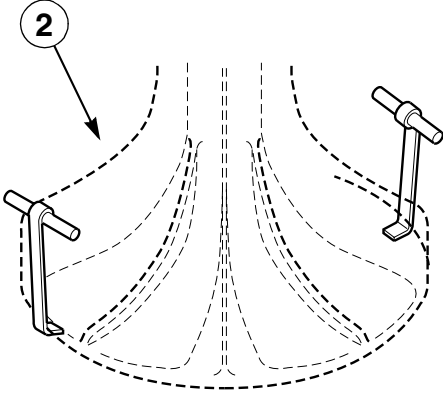
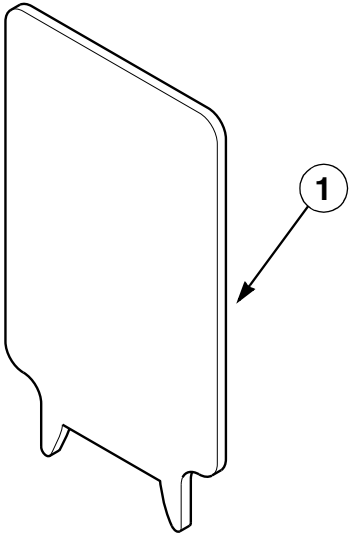


W205S

Special Tools

REF	PART NO.	DESCRIPTION	COMMENTS
	725P3	Tool Kit	Includes items 2, 5, 6, 272P4 Lid Switch Tool, 254P4P Agitator Hooks, 274P4 Seal Tool and 273P4 Outer Tub Cover and Gasket Tool
1	321P4	"T" Handle Allen Wrench	For removal and installation of 3 pump assembly attaching screws
2	289P4	Spring Hook	For removal of 7 centering springs from outer tub
3	24161	3/8" Torx® Bit Holder	
4	282P4	T25 Tamper Resistant Bit	For removal and installation of pump and attaching screws
5	306P4	Hex Wrench	For removal of locknut from washtub hub
6	242P4	Brake Spring Installer	For installation of brake spring

Special Tools



W137P

Special Tools

REF	PART NO.	DESCRIPTION	COMMENTS
1	272P4	Lid Switch Tool	For installation of lid switch
2	254P4P	Agitator Hooks	Set of 2; For removal of agitator from drive bell
3	253P4	Bell Tool	For removal and installation of drive bell to transmission shaft
4	294P4	Seal Tool	For installation of Part No. 34184 Hub and Transmission Seal
5	273P4	Outer Tub Cover and Gasket Tool	For removal of Part No. 36025 Outer Tub Cover from outer tub and installation of 32857 Gasket in outer tub cover

Wire Harnesses and Wires

Individual wires not serviced separately. Order complete harnesses listed below or order wire by the foot. Refer to chart below.

Model Number	Base Harness	Hood Harness
LWM251, LW1000 and LW2001	36278	N/A
LWM353, CW3502, LW3502, TW3502 and LW3503	36278	35350
LWM423 and LW8203	36278	36484
LWM433, LWM833, LW4302, LW4303 and TW4303	36278	35349
LW4202	36278	35352
LW4603, CW9203 and LW9203	36278	35347
CW8403 and LW8403	36276	35871
LW8253	36278	36484

N/A – Part no longer available

Order individual wire color and gauge by part number listed below. Order wire by the foot and terminals and connectors as required. It is recommended when applying terminals to wires that terminals be soldered to wires.

Important: Always replace wires with proper gauge.

Part Number	Wire Gauge	Wire Color
45001	18 Gauge Wire	Black
45380	12 Gauge Wire	Orange

Parts Index

A

Action Switch	
35118	7
Actuator Arm	
33441	21
Agitator	
33174	31
33513	29
Agitator Hooks	
254P4P	51
Agitator Pinion	
27003	37
Amp Housing	
34675	45
34676	45
Anti-Seize Compound	
27604P	35
Armature	
24132	25
Armature Guide	
24130	25

B

Backflow Preventer	
34500	23
Balance Ring	
34731	35
Base Assembly	
34434P	43
Beaded Tie-Down Strap	
33489	41
Bearing	
28944R	39
Bearing Housing Assembly	
27182	35
35746	39
Bell Tool	
253P4	51
Belt	
28808	27
Bleach Dispenser	
34776	19
Brace	
35097	43
Bracket	
36036	43
36037	43
Brake Assembly	
38505P	39
Brake Pad Kit	
548P3	39
Brake Spring Installer	
242P4	49
Bumper	
21685	19
35112	19

Bumper Pad	
36226	43
56128	43
Bushing	
33446	19

C

Cabinet Assembly	
38612P	43
Cabinet Top	
34902P	19
Cable Clip	
21036	47
Cap	
24145	23
Cap Screw	
M400057	35
27200	35
27202	29, 31
Capacitor Kit	
258P3	27
Centering Spring	
35947	33
35948	33
Clip	
21036	33
28849	27
33433	21
Clothes Guard	
32990	29
35035	31
Connector	
21091	47
Control Hood Rear Panel	
37782	19
Control Knob	
35330W	7
Control Knob Assembly	
34847	9, 15
35330W	11, 13
Control Mounting Plate	
34822	17
38171	5, 7, 9, 11, 13, 15

D

Diaphragm	
24134	25
Diffuser	
34826	5, 9, 11, 13, 15
34829	7, 17
Director Bracket	
36034	19
Double Connector	
29673	47
Dowel Pin	
27172	37

Drain Extension Kit 406P3	41
Drain Hose 39950	41
Drain Hose Sleeve 33615	41
Drain Hose Strain Relief 32219	41
Drive Bell and Seal Kit 34504P	29
39508P	31
Drive Pinion 36562	37

E

Electronic Control 35364	17
35366W	17
End Panel 34815	5, 9, 15, 17
34816	5, 9, 15, 17
34817W	7, 11, 13, 17
34818W	7, 11, 13, 17
Eyelet Terminal 00110	47
00113	47

F

Fabric Softener Dispenser 36542	31
Filler Hose 35874	23
35920	23
Filter Washer 28605	23
Flinger 27187	35
Fluorescent Light Assembly 34836	7, 17
Front Panel 34656P	43

G

Gasket 28094	29, 31
32857	33
34338	19
35114	17
39122	29
Graphic Panel 35312W	17
35313W	13
35315	15
35317	9
35318	17
35320	9
36057	5
36068	9
36075	9

36079	15
36086W	7
36159W	13
36184	5
36477W	11
Grommet 29175	33
80262	19
Ground Clip 00161	47
Guide Lug 28102	43
56079	43

H

Harness Clip 35521	47
36274	47
Helix 27018	39
Helper Spring 30620	27
Hex Wrench 306P4	49
Hinge 27103	43
36437	19
36438	19
36439	19
Hold-Down Clip 35358	19
35865	43
Hose Clamp 29210	23
36801	23
36802	41
Hose Retainer Clip 36104	41
Hose Support 35487	41
Hose Washer 20290	23
Hub and Seal Kit 495P3	29, 31
Hub and Transmission Seal Kit 39508P	29
Hub and Transmission Tube Seal 34184	31

I

Idler Lever 31054	27
Idler Pulley 28800	27
Idler Shaft 28802	27
Inlet Hose Assembly Kit 28330P	23
Inlet Screen F270200	25

Input Shaft	
34853	37
Internal Gear	
26577	37

L

Leg Plate	
27926	33
Leveling Leg	
34319	43
Leveling Leg and Stabilizer Bar Assembly	
34443	43
Lever	
33442	21
Lid Switch Tool	
272P4	51
Lint Filter	
39371	31
Loading Door	
33541P	19
36018P	19
Locknut	
21899	43
28803	27
29220	29, 31
52566	27
Lockwasher	
02431	35
04366	35
21456	37
Loctite	
37577P	37

M

Mixing Valve Assembly	
33930	25
34963	25
35177	25
Mixing Valve Mounting Bracket	
39407	23
Molex Housing	
32746	47
34123	47
34677	45
Molex Terminal	
00188	45, 47
Motor Assembly	
37819	27
38034P	27
38035P	27
38036P	27
Motor Mount	
34788	27
34890	27
Motor Mount Post	
34971	27
Motor Pulley	
27171	27
Motor Shield	
34754	27

Motor Switch	
35632	27

N

Nut	
03673	47
35423	27

O

Option Switch	
35118	15
35119	13
O-Ring	
36472	29, 31
Outer Tub	
34438P	33
34439P	33
Outer Tub Cover and Gasket Tool	
273P4	51
Outer Tub Cover Assembly	
36025	33
Output Shaft	
36570	37

P

Palnut	
35139	27
Pivot Dome	
34470	39
Plastic Insulator	
70120	47
Power Cord	
34458	47
39404	47
Pressure Bulb	
30907	33
Pressure Switch	
35012	5
39023	7, 9, 11, 13, 15
39078	17
Pulley Assembly	
34921	39
34923	39
Pump Assembly	
36863P	27

R

Rack	31526	37
Reduction Gear	29161	37
Retainer Nut	27222	35
Retainer Ring	23748	27
	27197	37
Right Angle	00120	47
Rivet	56534	19
Rocker Switch	35037	17
	35038	7, 17
Roll Pin	23750	27
Rubber Foot	34318	43

S

Screw	23862	17
	23962	5, 7, 9, 11, 13, 15, 19, 21, 23, 43
	25817C	25
	27196	19, 43
	27220	39
	29273	37
	32671	43
	32814	37
	33562	23
	34337	19
	34565	27
	34904	5, 7, 9, 11, 13, 15, 17
	35148	43
	35369	33, 39
	36305	19
	36510	21
	501086	5, 7, 9, 11, 13, 15, 17
	503661	27
	51780	43
	52909	19, 47
Screw and Lockwasher	33562	19
Seal Tool	294P4	51
Shield	39744	19
Shoulder Bolt	27229	27
Shoulder Screw	39432	29, 31
Silicone Lubricant	26594P	39
Siphon Break Kit	562P3	41
Sleeve	24128	25
	24129	25

Slide	26493	37
Snubber Pad and Isolator Assembly	36108	43
Solenoid	33930A	25
Spade Terminal	00112	47
	00121	45
	00220	47
	00223	47
Special Screw	27030	37
Splined Insert	29728	29, 31
Spring	23224E	25
	33435	39
	33443	21
	37366	27
Spring Hook	289P4	49
Sticker	24903	19
	500049	33
	500316R4	19
Strain Relief	38384	19
Support Leg	34471	39
	34792	39
Switch	33445	21
Switch Holder	36497P	21

T

T Handle Allen Wrench	321P4	49
Temperature Switch	35115	9, 11, 13
	35116	7, 15
	35117	13
Terminal	00116	47
	00117	47
Terminal and Housing Assembly	00234	47
Terminal Block	23033	47
	23041	47
	26163	47
	26301	47
	26302	47
	26708	47
Terminal Extractor Tool	283P4	45

Timer	
31238	5
31239	9, 13
31240	13
32039	11
35229	7, 15
Timer Knob	
33897	5
34844	9, 15
35333W	7, 11, 13
Timer Knob Skirt	
33817	5
34848	9, 15
35332W	7, 11, 13
Tool Kit	
725P3	49
Top Cover	
34823	5, 9, 15, 17
34824W	7, 11, 13, 17
Torx® Bit Holder 3/8"	
24161	49
Transmission Assembly	
34526P	35
Transmission Case Assembly	
33223	37
Transmission Cover Assembly	
38290	37
Transmission Oil	
27243P	37
Tub-To-Pump Hose	
35752	41
35753	41
T25 Tamper Resistant Bit	
282P4	49

W

Washer	
26509	37, 39
27105	39
29260	37
29443	27
35092	37
35535	39
52549	27
81392	27
Washtub	
39240P	31
39252P	29
39387P	29
719P3	31
Wire Clip	
504034	47
51291	47
Wire Tie	
55881	47