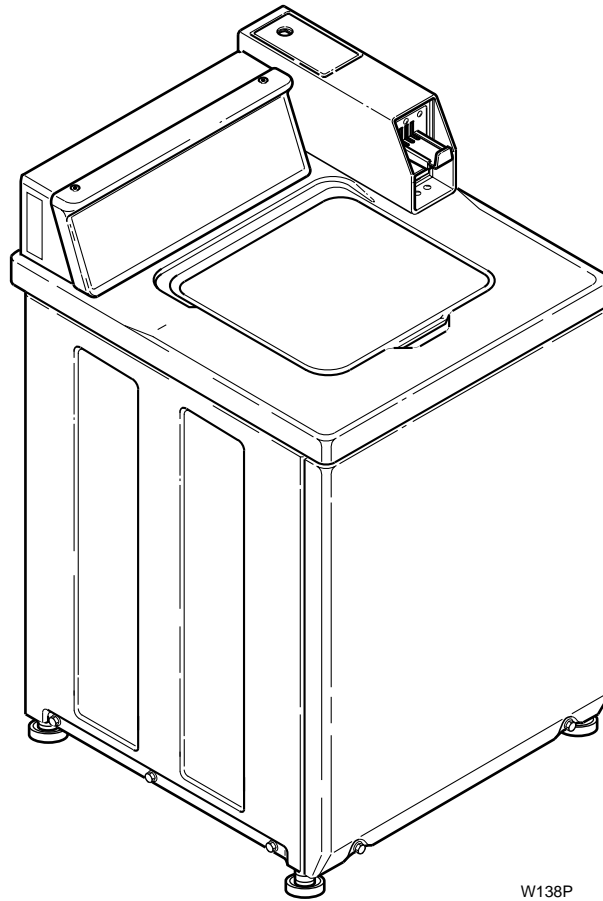


Automatic Washers

See Page 3 for Model Numbers



W138P

Table of Contents

Title	Page
Parts Ordering Information	2
Nameplate Location	2
Model Identification	3
Timer, Case and Plate	4
Timer, Meter Case and Service Door	6
Control Panel, Control Hood and Controls	8
Cabinet Top and Loading Door	10
Out-of-Balance Switch	12
Inlet Hose, Fill Hose, Mixing Valve and Mounting Bracket	14
Agitator, Drive Bell, Seal Kit, Washtub and Hub	16
Outer Tub, Cover and Pressure Hose	18
Drain Hose and Siphon Break Kit	20
Motor, Mounting Bracket, Belt, Pump and Idler Assembly	22
Bearing Housing, Brake, Pulley and Pivot Dome	24
Transmission Assembly and Balance Ring	26
34526P Transmission Assembly	28
Front Panel, Base Assembly and Cabinet Assembly	30
Mixing Valve and Motor Disconnect Blocks, Terminals and Terminal Extractor Tool	32
Power Cord and Terminals	34
Special Tools	36
Special Tools	38
Wire Harnesses and Wires	40
Parts Index	41

© Copyright 1999, Alliance Laundry Systems LLC

All rights reserved. No part of the contents of this book may be reproduced or transmitted in any form or by any means without the expressed written consent of the publisher.

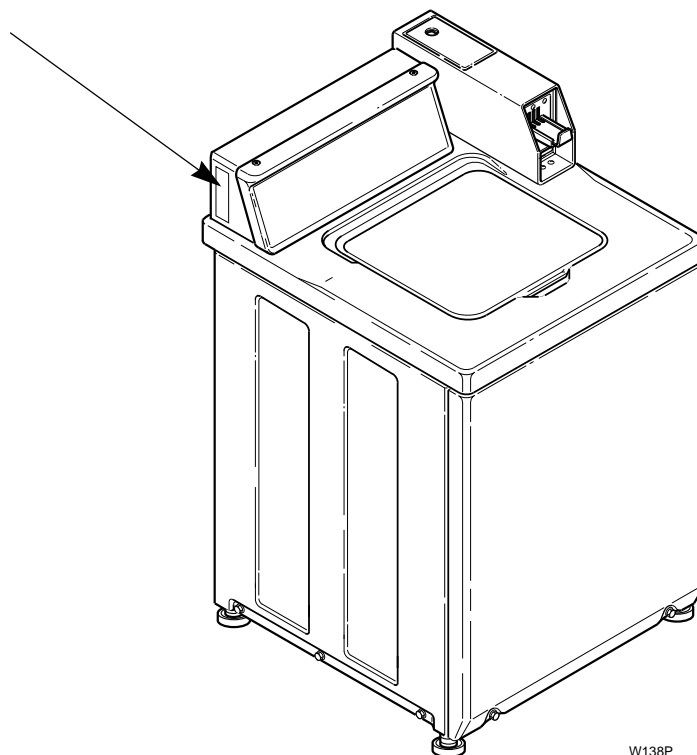
Parts Ordering Information

If literature or replacement parts are required, contact the source from whom the machine was purchased or contact Alliance Laundry Systems at (920) 748-3950 for the name and address of the nearest authorized parts distributor.

For technical assistance, call (920) 748-3121.

Nameplate Location

When calling or writing about your product, be sure to mention model and serial numbers. Model and serial numbers are located on nameplate(s) as shown.



W138P

Model Identification

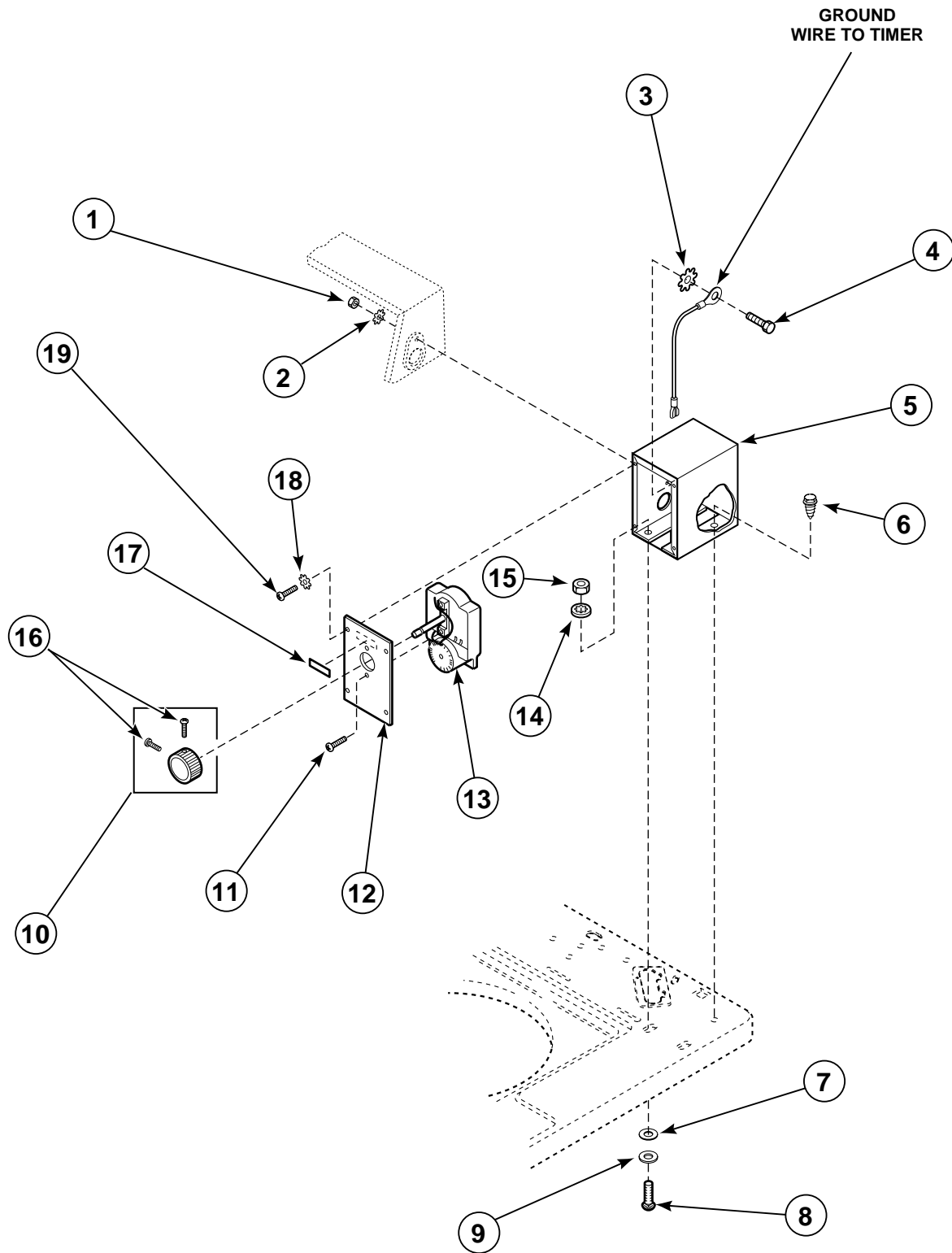
Information in this manual is applicable to these washer models:

Washer Model	Nonmetered Model	Metered Model	One Speed Motor	Two Speed Motor	Porcelain Washtub	Stainless Steel Washtub
DWA021*A	X			X		X
ZA2020*A	X			X	X	
ZA2110*A		X	X		X	
ZA2120*A		X		X	X	

* Add Letter To Designate Color. L – Almond W – White

Timer, Case and Plate

Models DWA021*A and ZA2020*A



W116PZ3B

* Add Letter To Designate Color. L – Almond W – White

Timer, Case and Plate

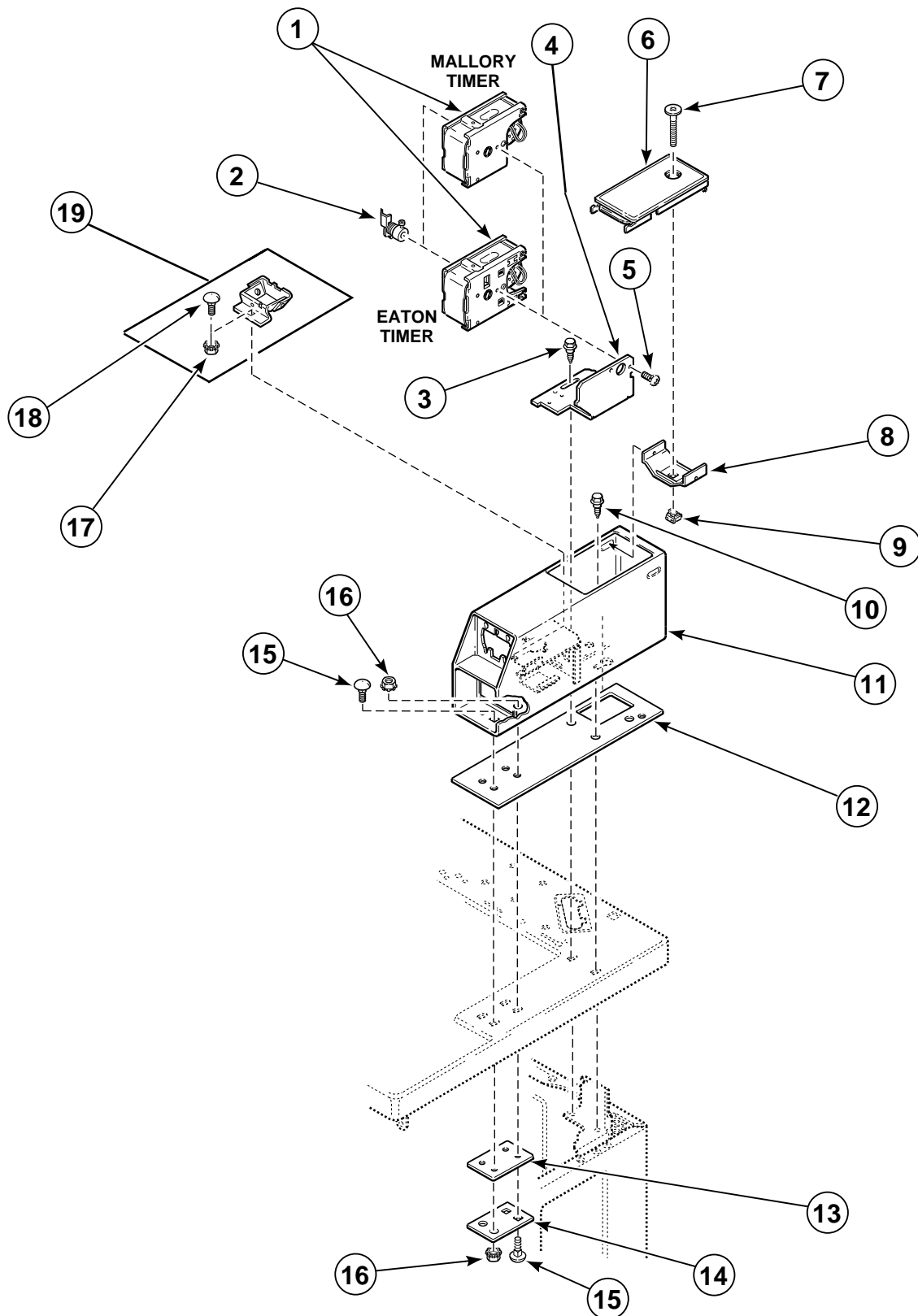
Models DWA021*A and ZA2020*A

REF	PART #	DESCRIPTION	COMMENTS
1	52566	Nut	
2	02431	Lockwasher	
3	91093	Lockwasher	
4	02916	Cap Screw	
5	37733W	Timer Case	
6	23962	Screw	
7	23225	Washer	Vinyl
8	02505	Carriage Bolt	
9	30627	Washer	
10	26256	Timer Knob Assembly	
11	27328	Screw	
12	31864W	Timer Plate	
13	28716	Timer Assembly	
14	21456	Lockwasher	
15	20275	Nut	
16	20268	Screw	
17	53738	Push-to-Start Sticker	
18	21734	Lockwasher	
19	51778	Screw	

* Add Letter To Designate Color. L – Almond W – White

Timer, Meter Case and Service Door

Models ZA2110*A and ZA2120*A



W401PZ3A

* Add Letter To Designate Color. L – Almond W – White

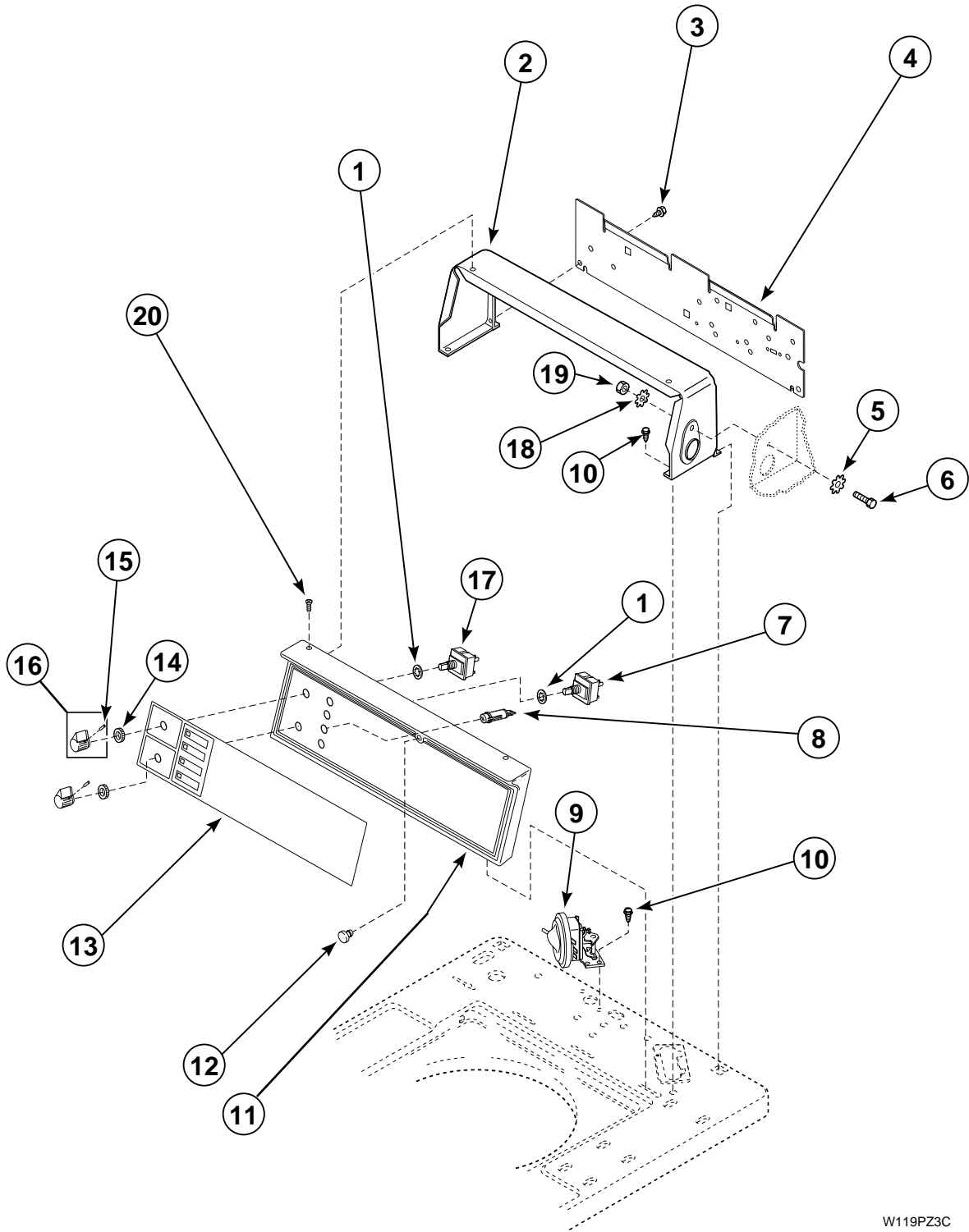
Timer, Meter Case and Service Door

Models ZA2110*A and ZA2120*A

REF	PART #	DESCRIPTION	COMMENTS
1	31111P	Timer Assembly	Although these timers differ in appearance, they are complete interchangeable when identified by the same part number.
2	29503	Clutch	
3	36048	Screw	
4	35249	Timer Bracket	
5	21720	Screw	
6	35798*	Service Door	
7	503673	Screw	
8	30642	Locking Bracket	
9	30647	Retainer Nut	
10	29277	Shoulder Screw	
11	524P3*	Meter Case	Includes all parts marked with a dagger (†)
12	† 26354	Meter Case Gasket	
13	† 35526	Gasket	
14	† 35525	Bracket	
15	† 02505	Carriage Bolt	
16	† 29786	Locknut	
17	29796	Nut	
18	29651	Bolt	
19	† 523P3	Coin Funnel Kit	

* Add Letter To Designate Color. L – Almond W – White

Control Panel, Control Hood and Controls



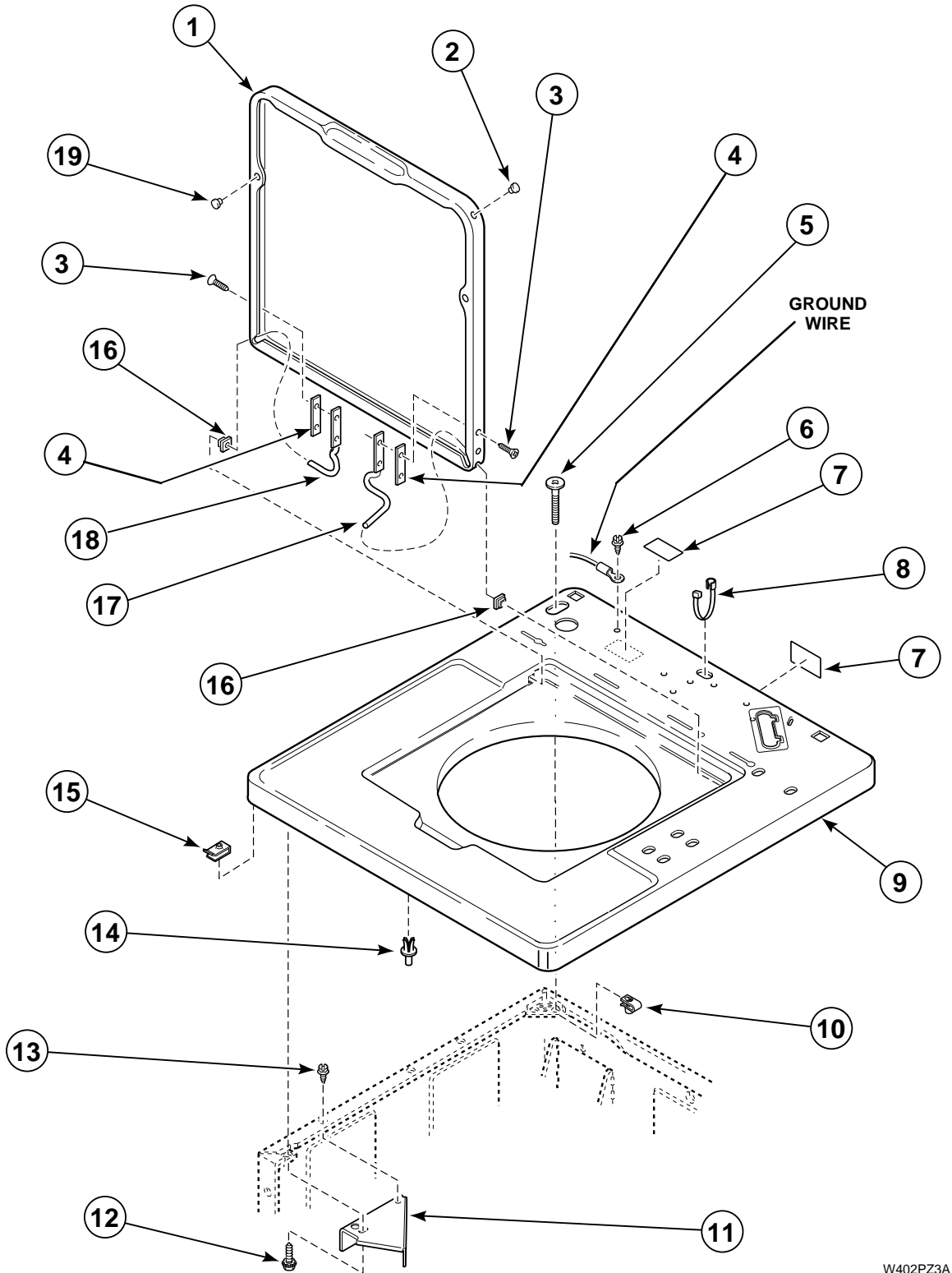
W119PZ3C

Control Panel, Control Hood and Controls

REF	PART #	DESCRIPTION	COMMENTS
1	91176	Lockwasher	
2	37075*	Control Hood	
3	23222	Screw	
4	38267	Control Hood Rear Cover	
5	91093	Lockwasher	
6	02916	Cap Screw	
7	27762	Speed Switch	Two Speed Models
8	32464	Indicator Light	Models DWA021*A and ZA2020*A (4 required)
	32463	Indicator Light	All other models – Unbalanced Load
	32466	Indicator Light	All other models – In Use
	32464	Indicator Light	All other models – Rinse or Spin
9	35889	Pressure Switch	
10	23962	Screw	
11	36521*	Control Panel Frame	
12	32648	Bumper	
13	37408	Control Panel Overlay	Models DWA021*A
	35960	Control Panel Overlay	Models ZA2020*A and ZA2120*A
	35961	Control Panel Overlay	Model ZA2110*A
14	24205	Knurled Nut	
15	20310	Setscrew	
16	35182	Control Knob Assembly	
17	81799	Wash Temperature Switch	
18	02431	Lockwasher	
19	52566	Locknut	
20	500226	Screw	Phillips Head
	35528	Screw	Torx Head – Optional, for added security – See Page 36 for Torx Bit and Holder

* Add Letter To Designate Color. L – Almond W – White

Cabinet Top and Loading Door

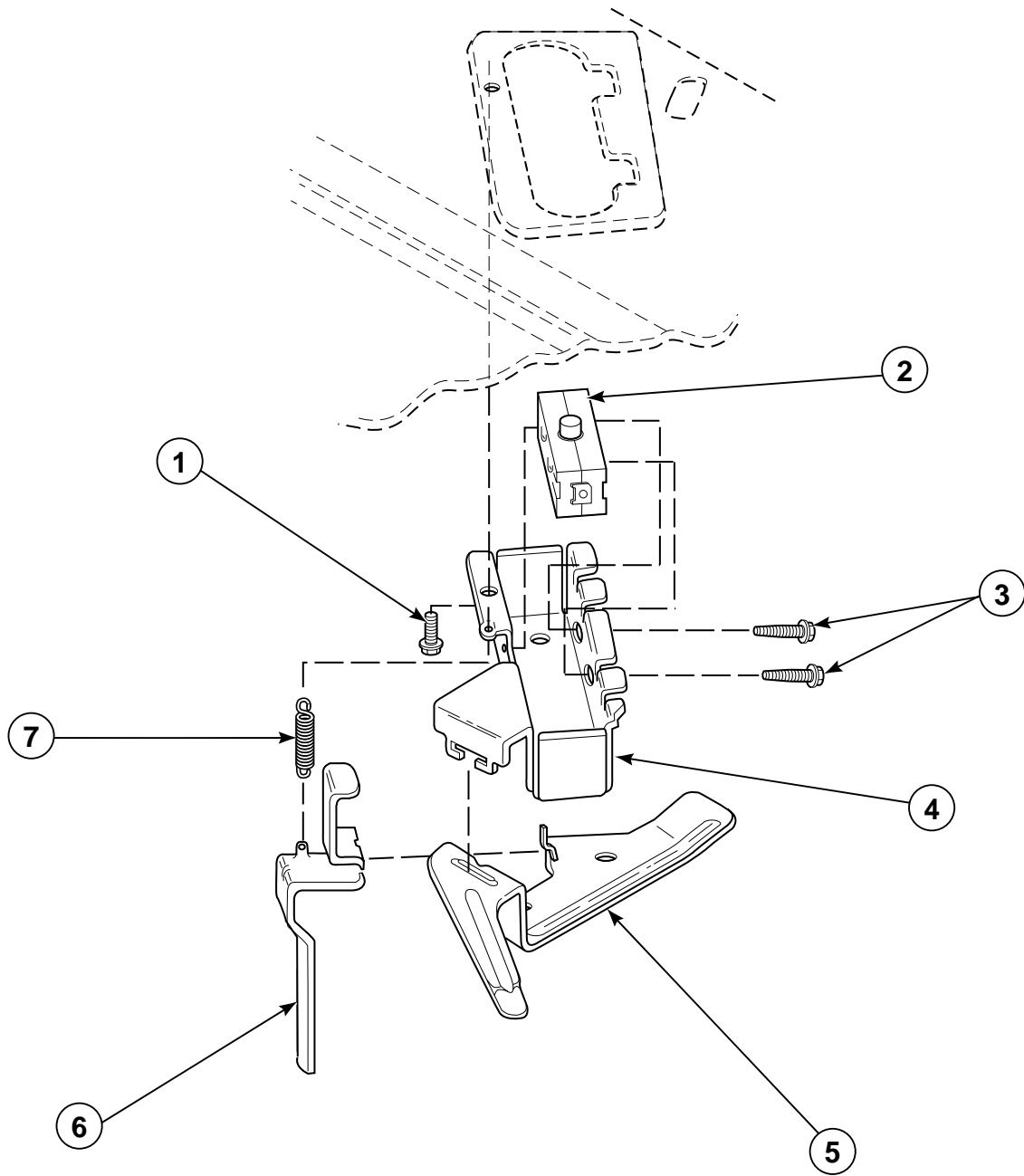


Cabinet Top and Loading Door

REF	PART #	DESCRIPTION	COMMENTS
1	36488*P	Loading Door	Porcelain
2	34153	Plug	
3	34337	Screw	
4	34338	Gasket	
5	503673	Screw	Optional, for added security
6	52909	Screw	
7	24903	Warning Label	
8	21903	Strain Relief	
9	36122*P	Cabinet Top	Metered Models – Porcelain
	36273*P	Cabinet Top	Nonmetered Models – Porcelain
10	27222	Retainer Nut	Optional, for added security
11	36034	Director Bracket	
12	23006	Screw and Lockwasher	
13	36035	Screw	
14	56534	Rivet	
15	36020	Speed Nut	
16	36474	Bushing	
17	36437	Hinge	Right
18	36438	Hinge	Left
19	21685	Bumper	

* Add Letter To Designate Color. L – Almond W – White

Out-of-Balance Switch

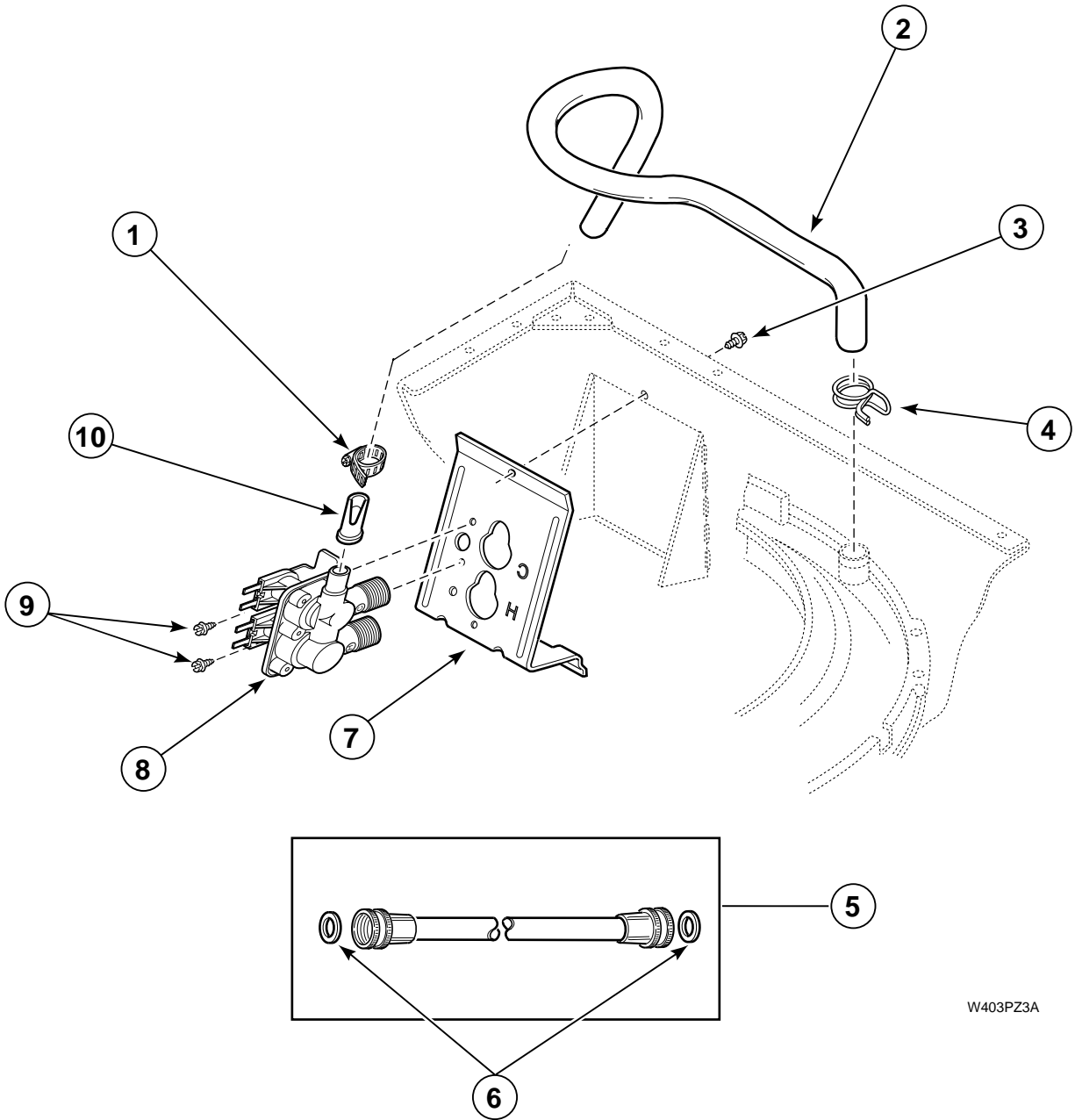


W246PZ3B

Out-of-Balance Switch

REF	PART #	DESCRIPTION	COMMENTS
1	23962	Screw	
2	33527	Switch	
3	36510	Screw	
4	36497P	Switch Holder Kit	Includes two 36510 Screws
5	33441	Actuator Arm	
6	33442	Lever	
7	33443	Spring	

Inlet Hose, Fill Hose, Mixing Valve and Mounting Bracket

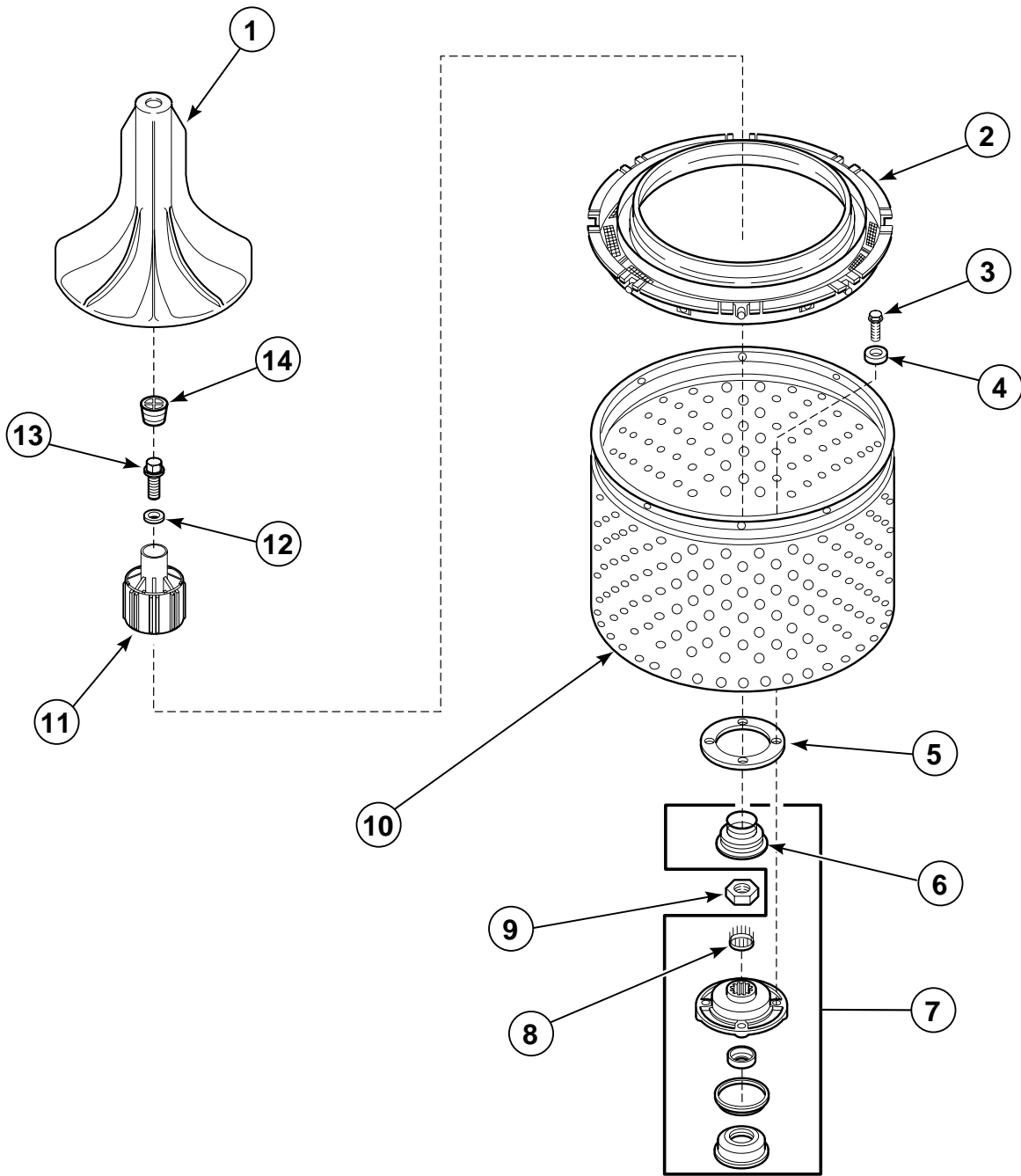


W403PZ3A

Inlet Hose, Fill Hose, Mixing Valve and Mounting Bracket

REF	PART #	DESCRIPTION	COMMENTS
1	36801	Hose Clamp	
2	35874	Fill Hose	
3	33562	Screw	
4	29210	Hose Clamp	Gold
5	28330P	Inlet Hose Assembly	
6	20290	Hose Washer	
7	39407	Mixing Valve Mounting Bracket	
8	34963	Mixing Valve Assembly	
9	23962	Screw	
10	34500	Backflow Preventer	

Agitator, Drive Bell, Seal Kit, Washtub and Hub



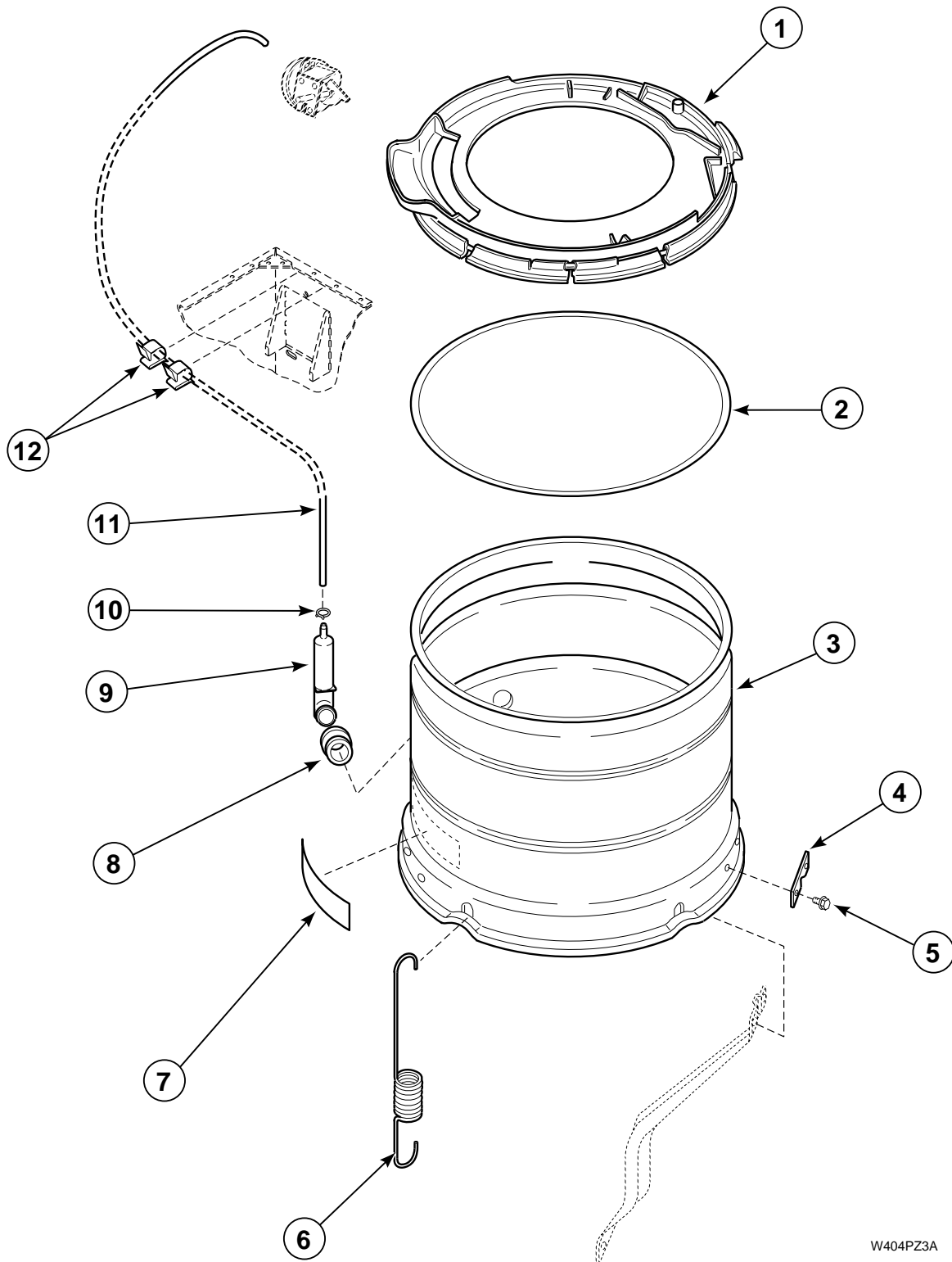
W227PZ3A

Agitator, Drive Bell, Seal Kit, Washtub and Hub

REF	PART #	DESCRIPTION	COMMENTS
1	33513	Agitator	
2	32990	Clothes Guard	
3	27202	Cap Screw	
4	28094	Gasket	
5	39122	Gasket	
6	† 36425	Seal	
7	495P3	Hub and Seal Kit	Includes 32857 Cover Gasket and 39508P Drive Bell and Seal Kit
8	† 29728	Splined Insert	
9	29220	Locknut	
10	39252P	Washtub	Porcelain
	39387P	Washtub	Stainless Steel
11	39508P	Drive Bell and Seal Kit	Includes parts marked with a dagger (†)
12	† 36472	"O" Ring	
13	† 39432	Shoulder Screw	
14	† 36511	Plug	

† Parts with a dagger (†) are included with 39508P Drive Bell and Seal Kit

Outer Tub, Cover and Pressure Hose

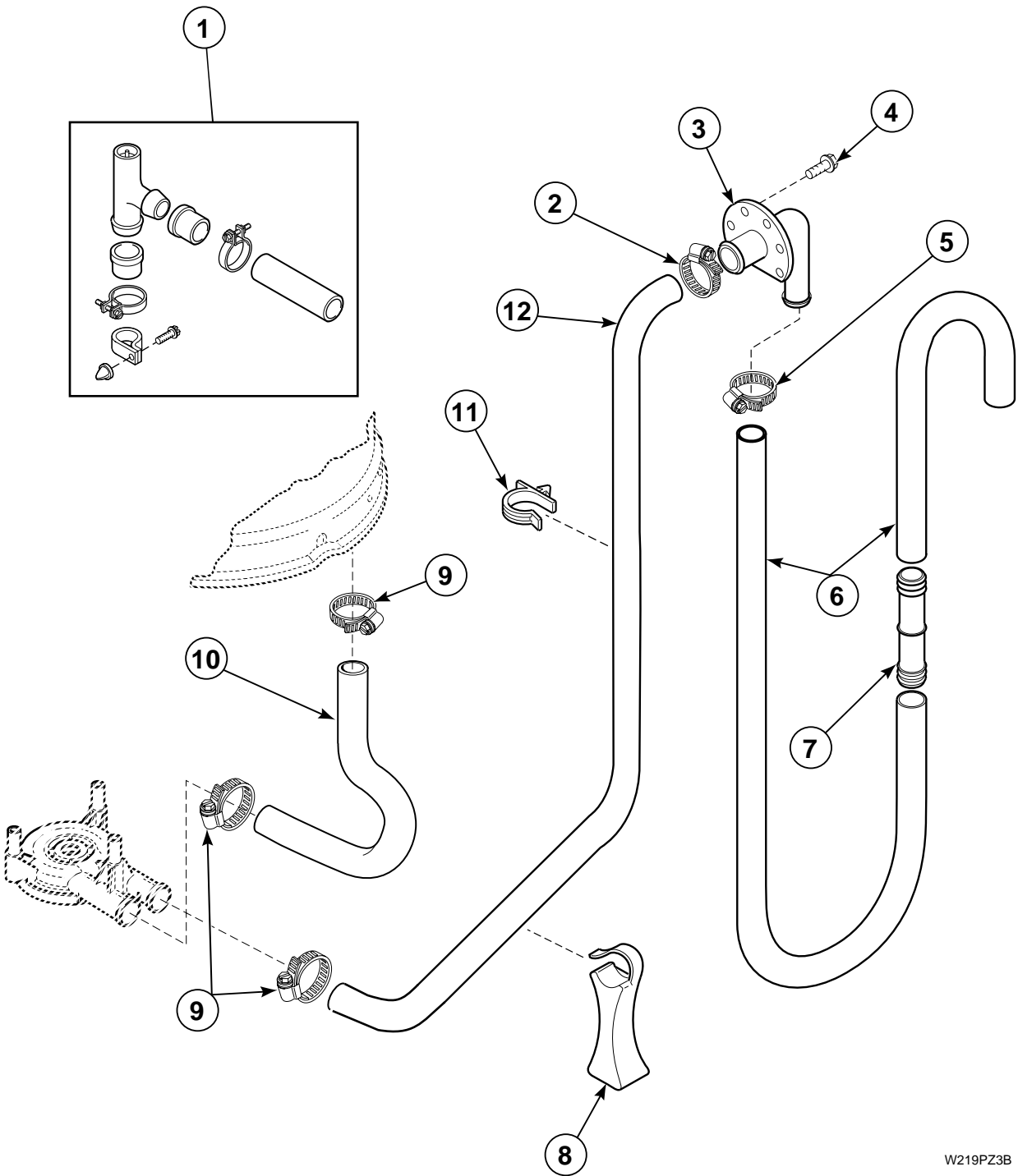


W404PZ3A

Outer Tub, Cover and Pressure Hose

REF	PART #	DESCRIPTION	COMMENTS
1	36025P	Outer Tub Cover Assembly	Includes 32857 Gasket
2	32857	Gasket	
3	34439P	Outer Tub	
4	27926	Leg Plate	
5	35369	Screw	
6	35947	Centered Spring	
7	500049	Warning Label	
8	29175	Grommet	
9	30907	Pressure Bulb	
10	39282	Hose Clamp	
11	39124	Pressure Hose	
12	21036	Clips	

Drain Hose and Siphon Break Kit

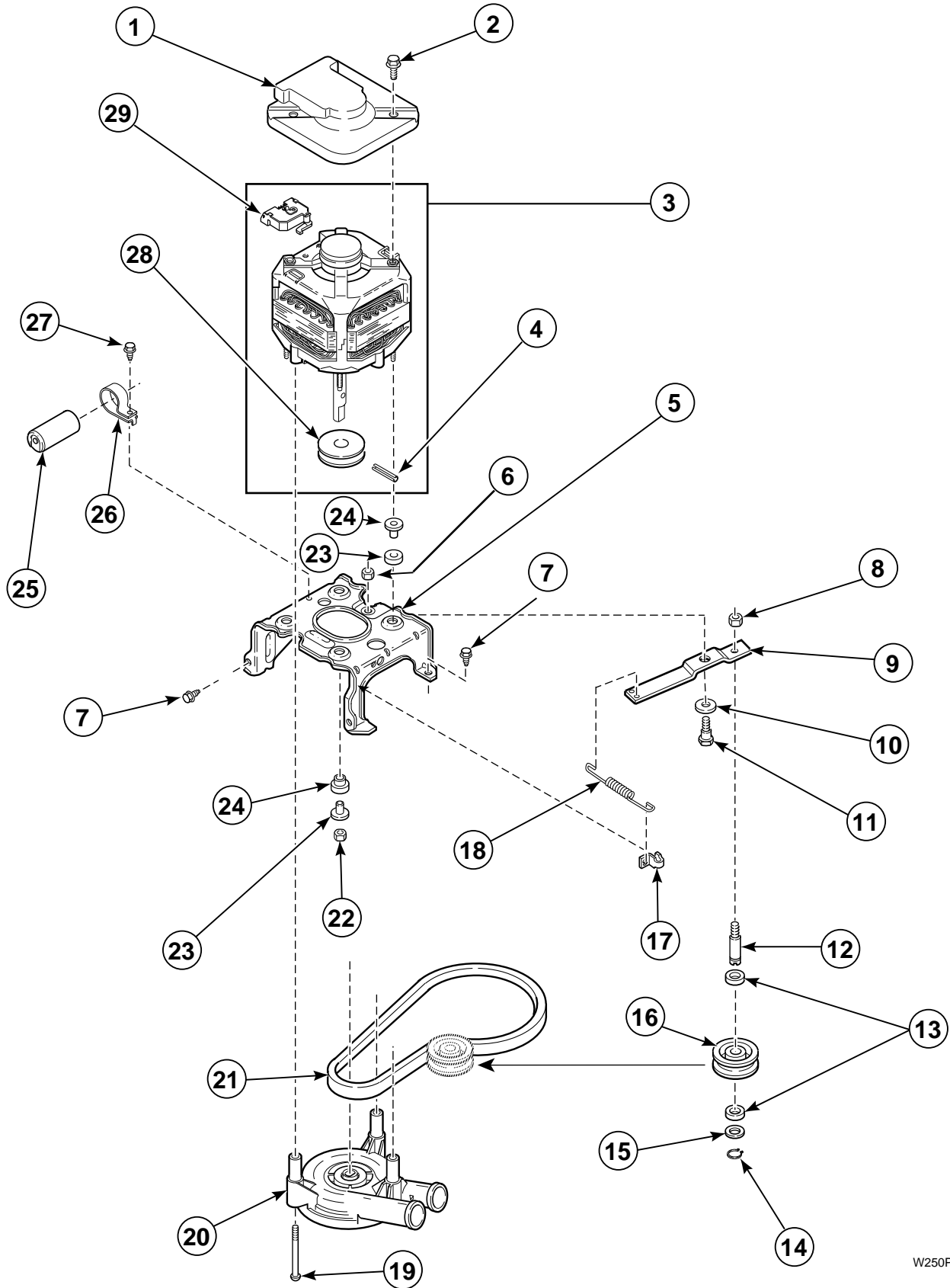


W219PZ3B

Drain Hose and Siphon Break Kit

REF	PART #	DESCRIPTION	COMMENTS
1	562P3	Siphon Break Kit	Siphon break kit MUST be installed in drain hose if drain receptacle is lower than cabinet top of washer
2	29210	Hose Clamp	
3	36990	Drain Hose Elbow	
4	52909	Screw	
5	20391	Hose Clamp	
6	28293	Drain Hose	
7	25863	Hose Coupler	If drain hose must be shortened, cut hose between molded end and molded elbow. Use one 25863 Hose Coupler to splice hose.
8	36522	Hose Support	
9	36802	Hose Clamp	
10	35752	Tub-to-Pump Hose	
11	39177	Hose Clip	
12	34581	Pump-to-Elbow Hose	

Motor, Mounting Bracket, Belt, Pump and Idler Assembly

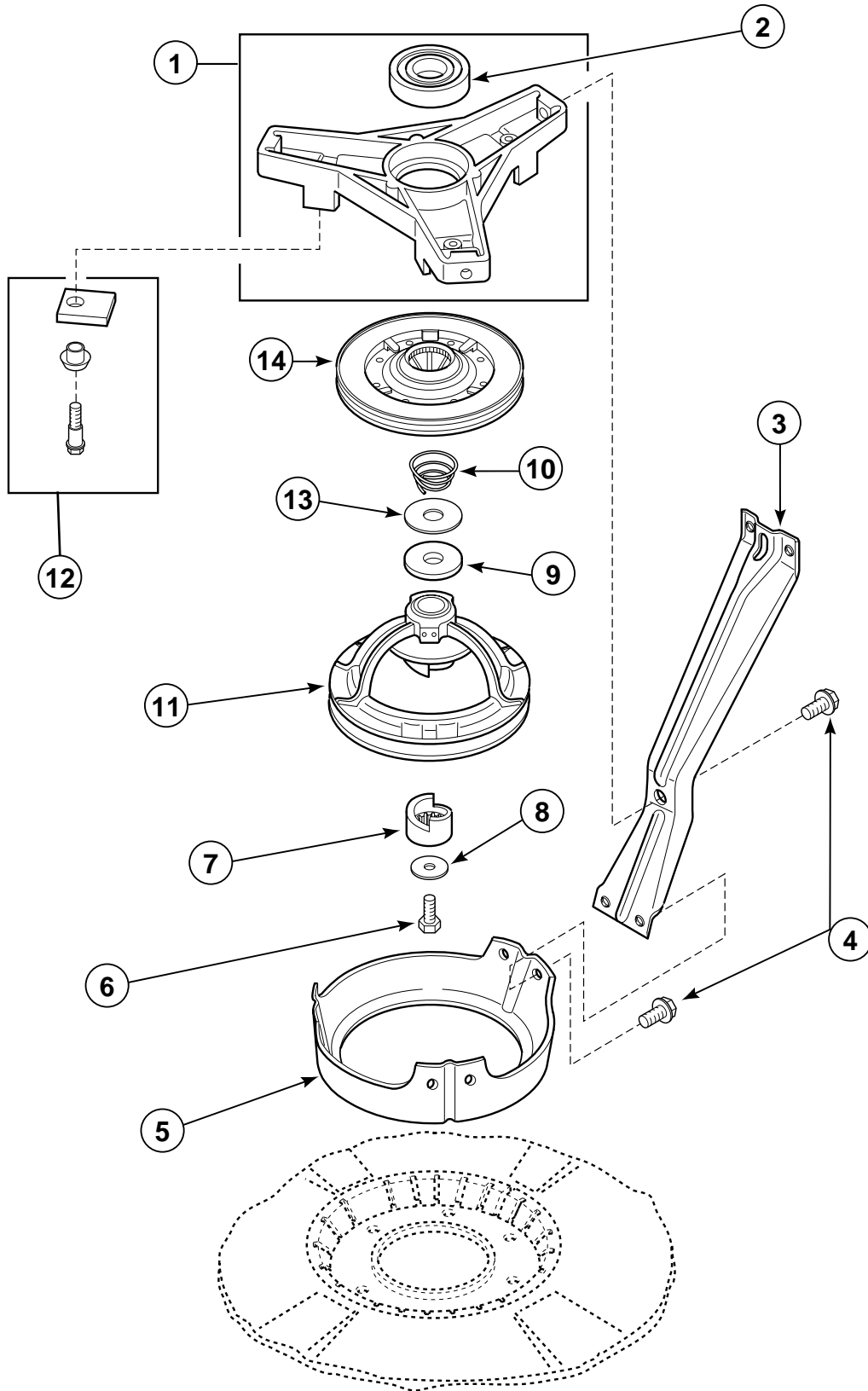


W250PE3A

Motor, Mounting Bracket, Belt, Pump and Idler Assembly

REF	PART #	DESCRIPTION	COMMENTS
	258P3	Capacitor Kit	For use in areas where low voltage exists
1	34754	Motor Shield	
2	36639	Screw	
3	38035	Motor Assembly	One Speed Motor
	38034	Motor Assembly	Two Speed Motor
4	23750	Roll Pin	
5	37415	Motor Mounting Bracket	
6	52566	Locknut	
7	503661	Screw	
8	28803	Locknut	
9	37443	Idler Lever	
10	81392	Washer	
11	27229	Shoulder Bolt	
12	28802	Idler Shaft	
13	29443	Washer	Felt
14	23748	Retainer Ring	
15	52549	Washer	Nylatron
16	28800	Idler Pulley	
17	28849	Clip	
18	37606	Idler Lever Spring	
19	34565	Screw	
20	36863P	Pump Assembly	
21	28808	Belt	Agitate and Spin
22	35423	Nut	
23	34791	Motor Mount Post	
24	34788	Motor Mount	Rubber
25	37377	Capacitor	
26	37535	Capacitor Clamp	
27	52909	Screw	
28	27171	Motor Pulley	Gold Color
29	35632	Motor Switch	

Bearing Housing, Brake, Pulley and Pivot Dome

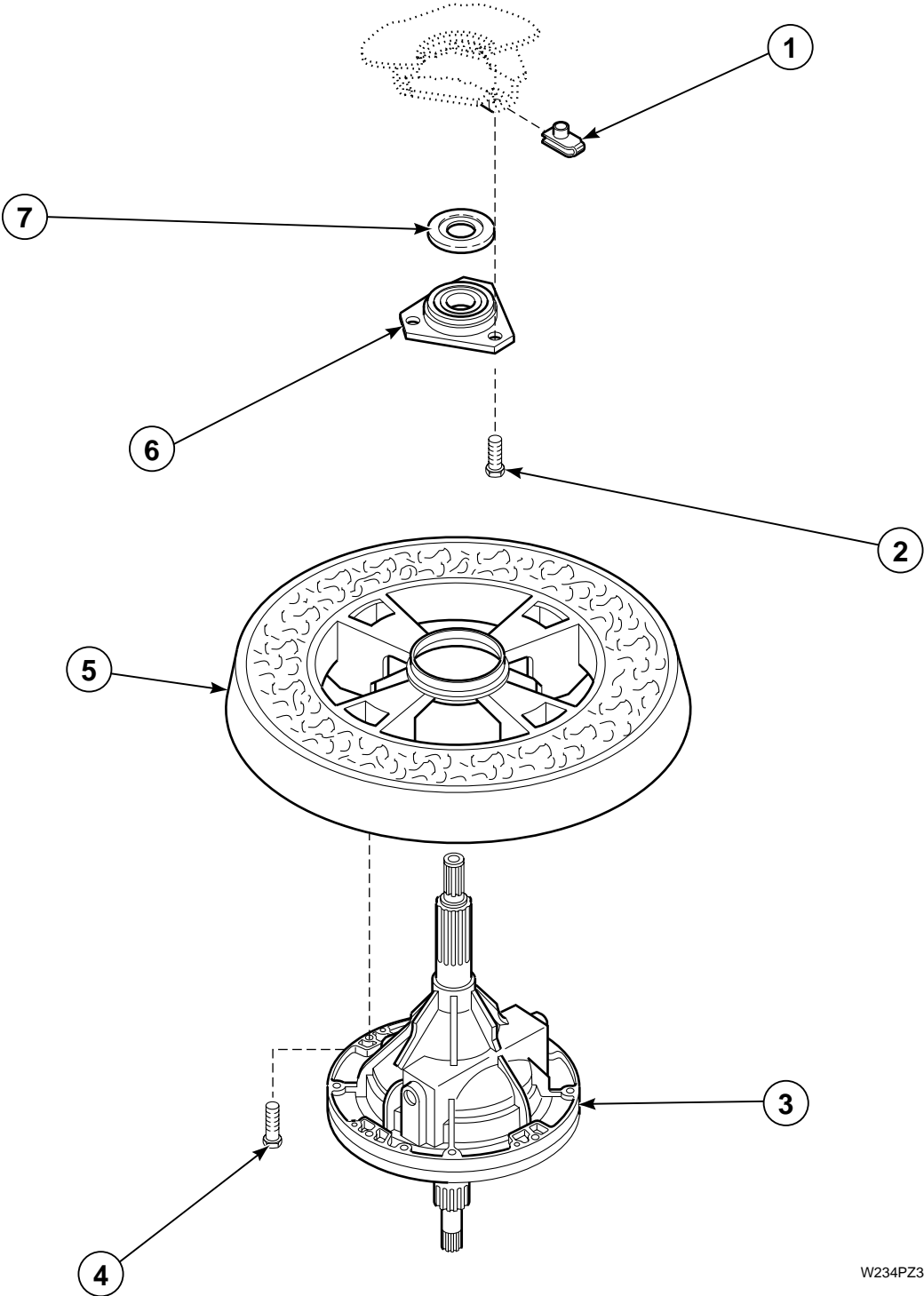


W130PZ3C

Bearing Housing, Brake, Pulley and Pivot Dome

REF	PART #	DESCRIPTION	COMMENTS
	26594P	Silicone Lubricant	Apply small amount to each new brake pad
1	35746	Bearing Housing Assembly	
2	28944R	Bearing	
3	34792	Support Leg	
4	35369	Screw	
5	34470	Pivot Dome	
6	27220	Screw	
7	27018	Helix	
8	26509	Washer	
9	27015	Washer	Thick
10	33435	Spring	Used through Serial No. 9606029041
11	34923	Pulley Assembly	
12	548P3	Brake Pad Kit	Includes three pads, sleeves and screws
13	35535	Washer	Thin
14	38505P	Brake Assembly	

Transmission Assembly and Balance Ring

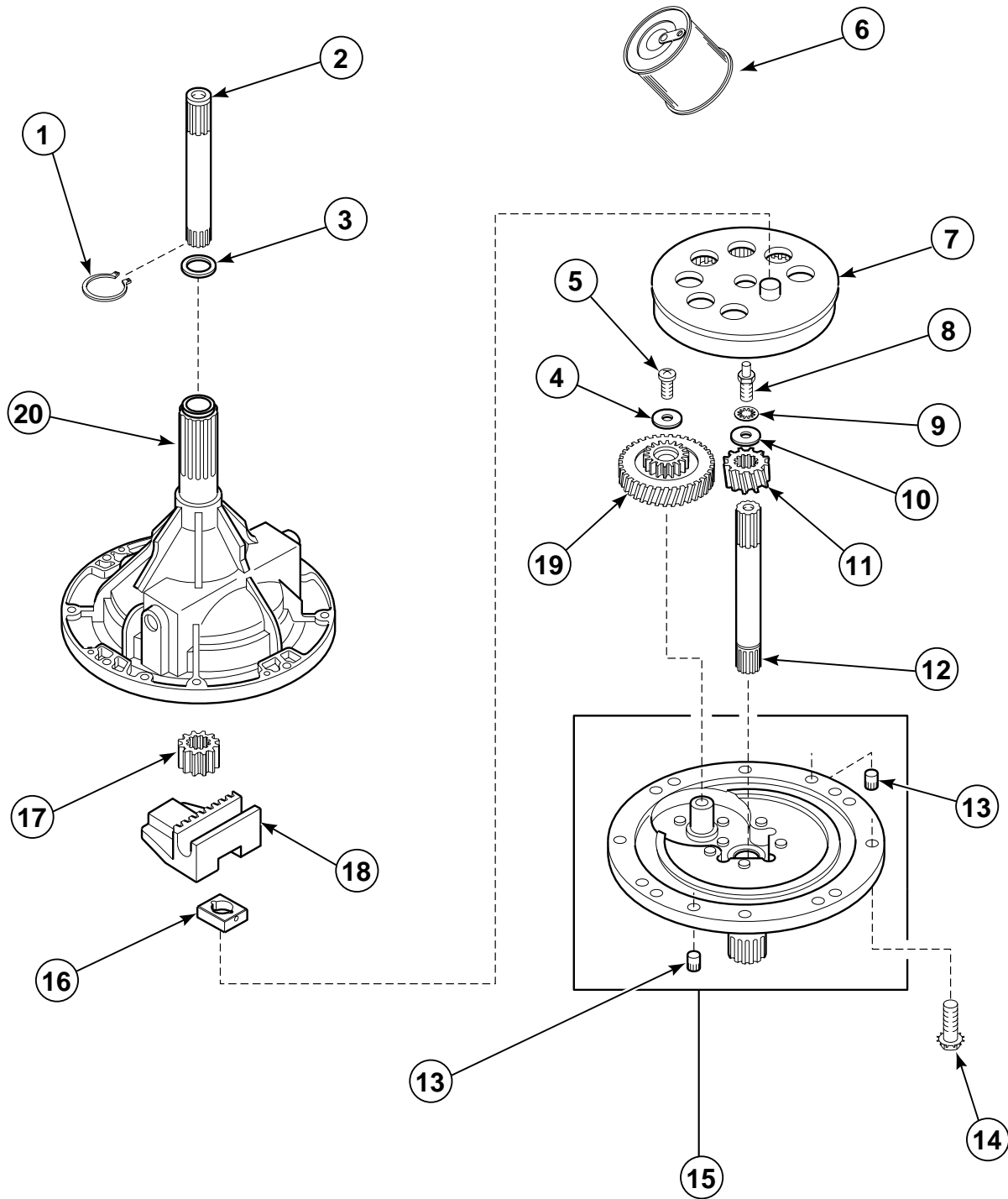


W234PZ3C

Transmission Assembly and Balance Ring

REF	PART #	DESCRIPTION	COMMENTS
	27604P	Anti-Seize Compound	Apply to smooth area of both the upper and lower transmission tubes that will be contacting the upper and lower bearings.
1	27222	Retainer Nut	
2	36991	Cap Screw	
3	34526P	Transmission Assembly	See Page 28 for component parts
4	37047	Cap Screw	
5	34731	Balance Ring	
6	27182	Bearing Housing Assembly	
7	27187	Flinger	Used through Serial No. 9510053576

34526P Transmission Assembly

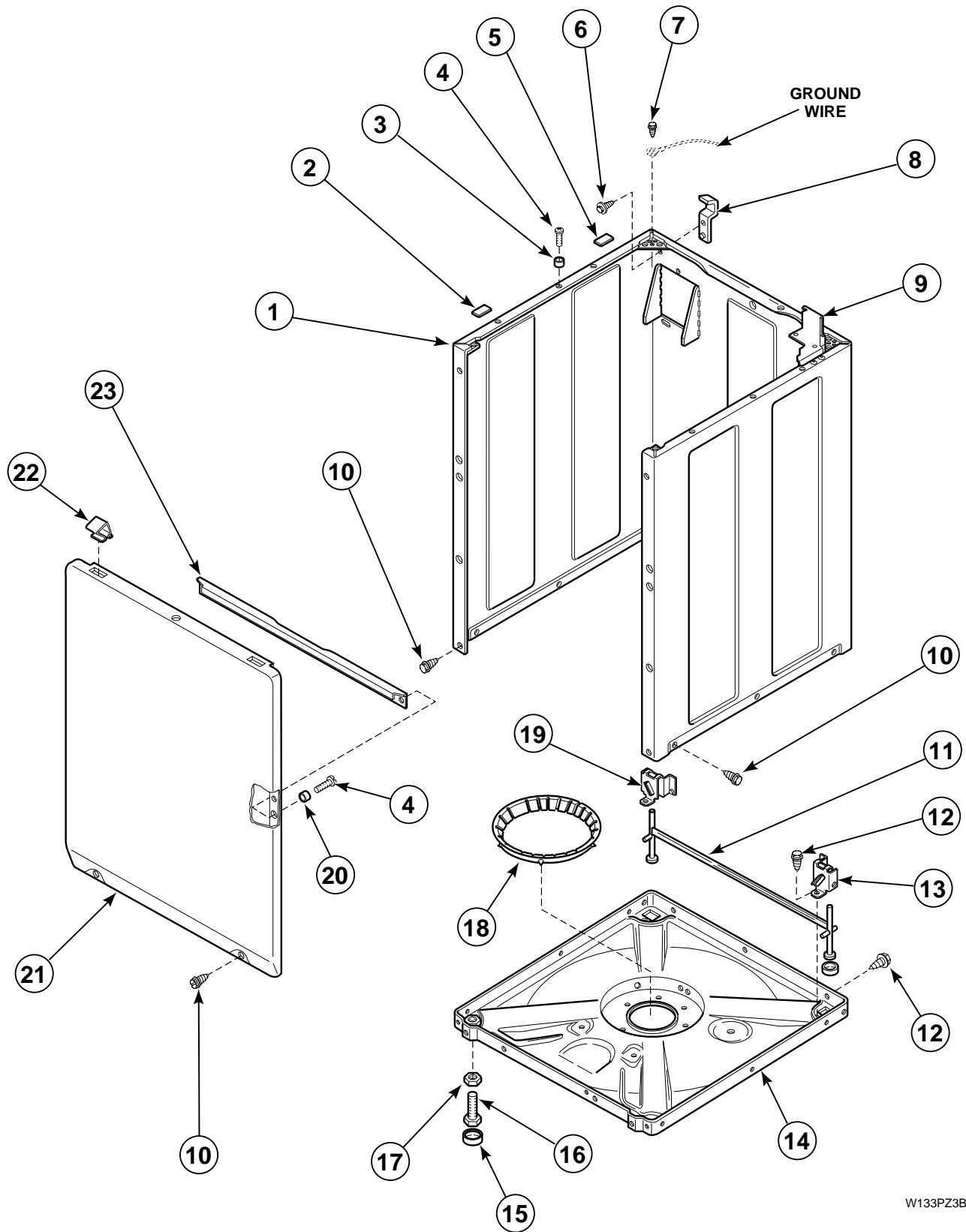


W132PZ3B

34526P Transmission Assembly

REF	PART #	DESCRIPTION	COMMENTS
	37577P	Sealant	Use between Transmission Case and Cover
1	27197	Retainer Ring	
2	36570	Output Shaft	
3	35092	Washer	
4	29260	Washer	
5	29273	Screw	
6	27243P	Transmission Oil	1 Fill
7	26577	Internal Gear	
8	27030	Special Screw	
9	21456	Lockwasher	Used through Serial No. 9712011370
10	26509	Washer	
11	36562	Drive Pinion	
12	34853	Input Shaft	
13	27172	Dowel Pin	Used through Serial No. 9404069378
14	32814	Screw	
15	38290	Transmission Cover Assembly	
16	26493	Slide	
17	27003	Agitator Pinion	
18	31526	Rack	
19	29161	Reduction Gear	
20	33223	Transmission Case Assembly	

Front Panel, Base Assembly and Cabinet Assembly



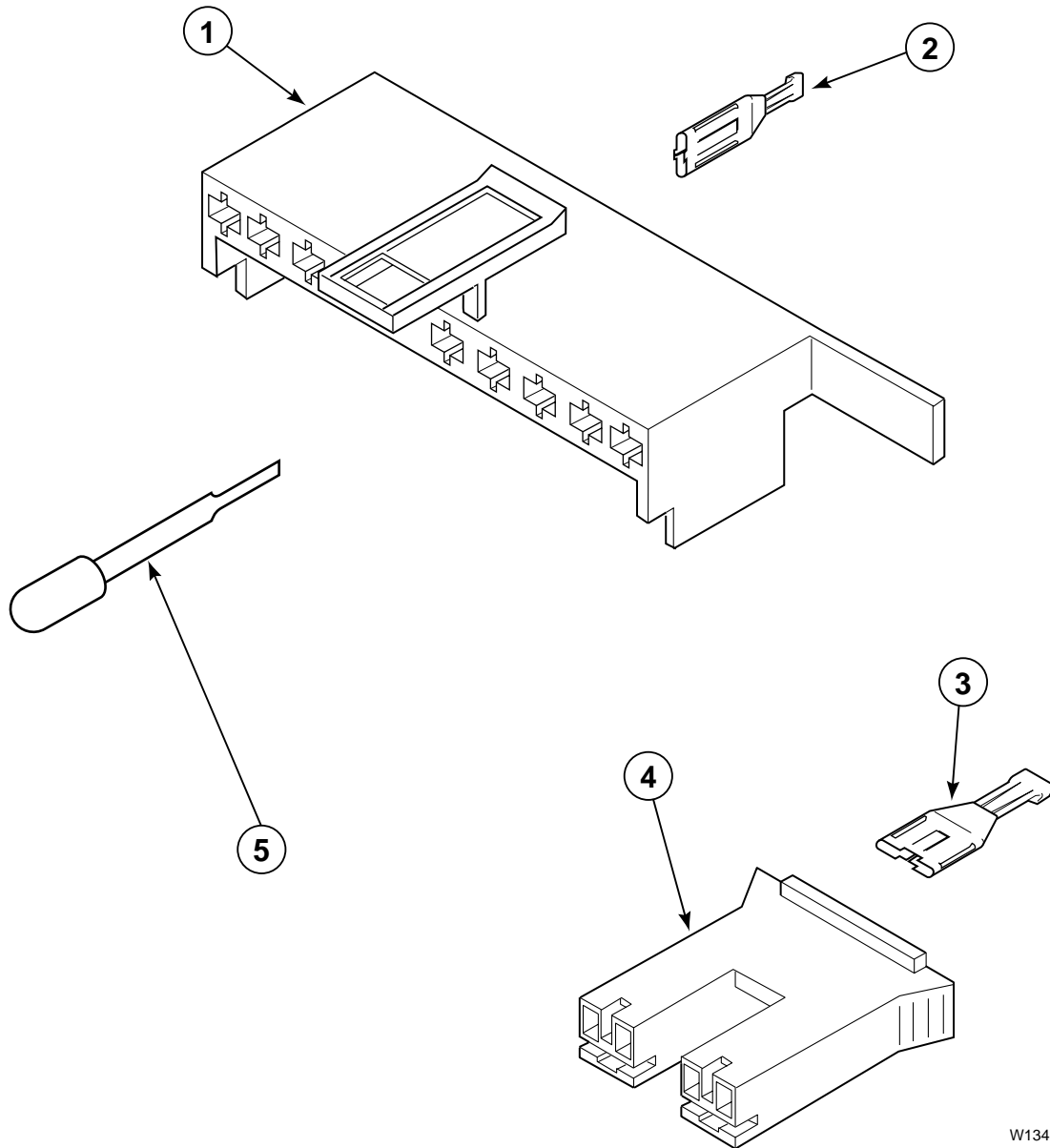
W133PZ3B

Front Panel, Base Assembly and Cabinet Assembly

REF	PART #	DESCRIPTION	COMMENTS
1	34475*P	Cabinet Assembly	
2	56128	Bumper Pad	Thin
3	56079	Panel Locator	
4	32671	Screw	
5	36226	Bumper Pad	Thick
6	34499	Screw	
7	23962	Screw	
8	27103	Hinge	
9	35867	Mounting Bracket	
10	27196	Screw	
11	34443	Leveling Leg and Stabilizing Bar Assembly	
12	35148	Hex Head Screw	
	35527	Torx Head Screw	Optional – for security on Front Panel
13	36036	Bracket	Right
14	36599P	Base Assembly	
15	34318	Rubber Foot	
16	34319	Leveling Leg	
17	21899	Locknut	
18	36108	Snubber Pad and Isolator Assembly	
19	36037	Bracket	Left
20	28102	Panel Locator	
21	34656*P	Front Panel	Includes Items 22 and 23
22	35865	Hold-Down Clip	
23	35097	Brace	

* Add Letter To Designate Color. L – Almond W – White

Mixing Valve and Motor Disconnect Blocks, Terminals and Terminal Extractor Tool

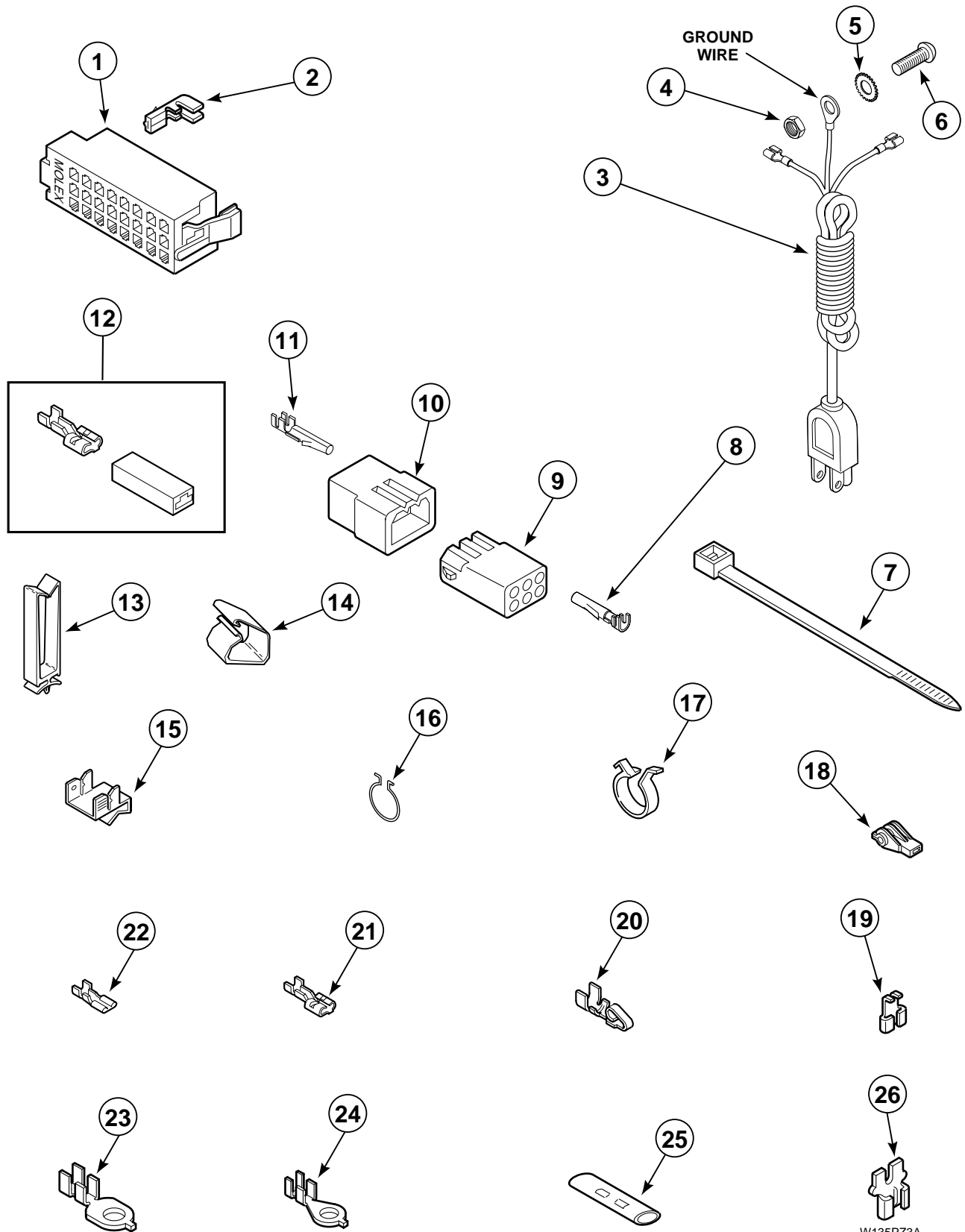


W134PZ3A

Mixing Valve and Motor Disconnect Blocks, Terminals and Terminal Extractor Tool

REF	PART #	DESCRIPTION	COMMENTS
1	34677	Molex Housing	Motor
2	00188	Molex Terminal	For One or Two Wire Application
3	00121	Spade Terminal	1/4 Inch
4	34675	Amp Housing	Mixing Valve – Natural
	34676	Amp Housing	Mixing Valve – Red
5	283P4	Terminal Extractor Tool	

Power Cord and Terminals

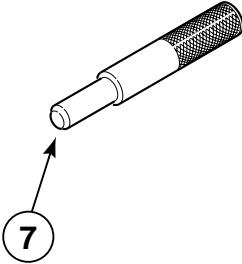
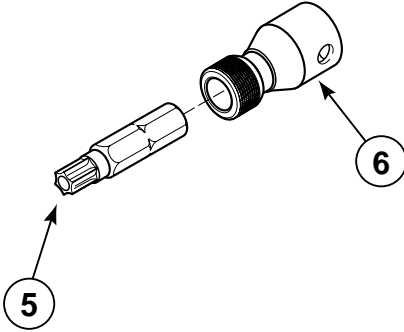
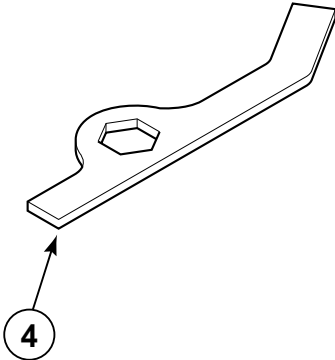
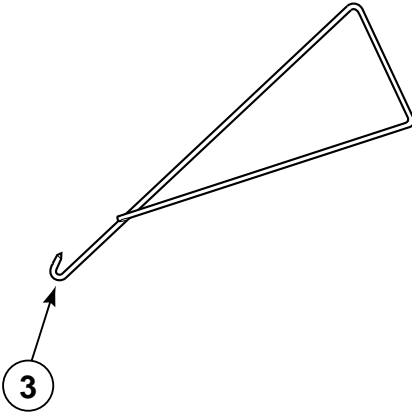
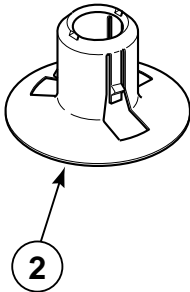
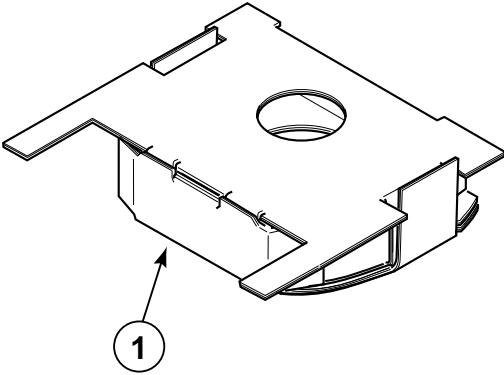


W135PZ3A

Power Cord and Terminals

REF	PART #	DESCRIPTION	COMMENTS
1	32746	Molex Housing	Right Hand (Black)
	34123	Molex Housing	Left Hand (White)
2	00188	Molex Terminal	Used for One or Two Wire Application
3	39404	Power Cord	Models ZA2110*A and ZA2120*A
	39405	Power Cord	Models DWA021*A and ZA2020*A
4	03673	Nut	
5	21735	Lockwasher	
6	20267	Screw	
7	55881	Wire Tie	
8	00117	Terminal	Female
9	26301	Terminal Block	One Circuit
	26708	Terminal Block	Six Circuit
	26163	Terminal Block	Nine Circuit
10	26302	Terminal Block	One Circuit
	23041	Terminal Block	Six Circuit
	23033	Terminal Block	Nine Circuit
11	00116	Terminal	Male
12	00234	Terminal and Housing Assembly	
13	36274	Harness Clip	
14	35521	Harness Clip	
15	00161	Ground Clip	
16	51291	Wire Clip	
17	504034	Wire Clip	
18	70210	Plastic Insulator	
19	00120	Right Angle	Flag Terminal
20	00220	Spade Terminal	Female – 1/4 inch
21	00119	Spade Terminal	Large Spade
22	00112	Spade Terminal	Small Spade
23	00113	Eyelet Terminal	1/4 inch Ring
24	00110	Eyelet Terminal	Small Shank
25	21091	Connector	
26	29673	Double Connector	

Special Tools

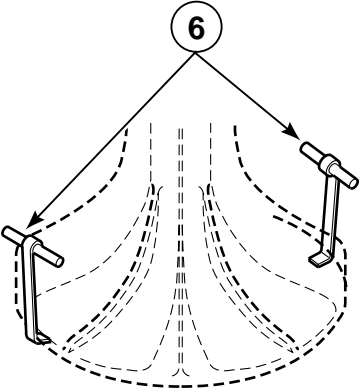
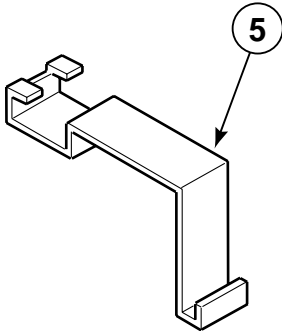
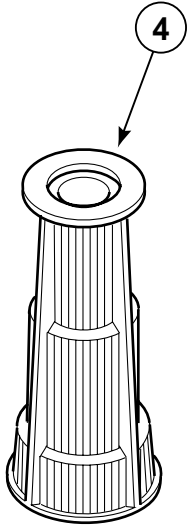
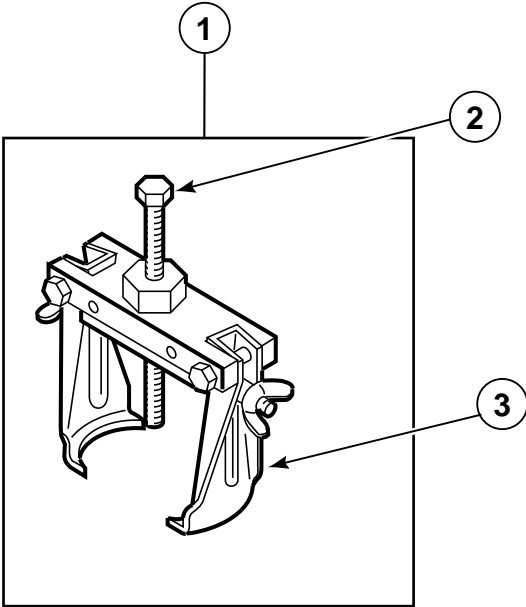


W340PZ3B

Special Tools

REF	PART #	DESCRIPTION	COMMENTS
1	39366	Washer Shipping Brace	Install whenever moving Washer – Remove before use
2	38149	Shipping Plug	Install whenever moving Washer – Remove before use
3	321P4	Spring Hook	For removal of Module Springs from Outer Tub
4	306P4	Hex Wrench	For removal of Locknut from Washtub Hub
5	281P4	T15 Tamper Resistant Bit	For removal and installation of Control Hood Security Screws
	282P4	T25 Tamper Resistant Bit	For removal and installation of Front Panel Security Screws
6	24161	Torx Bit Holder	3/8" Drive
7	305P4	Transmission Pin Tool	Use Pin Tools in place of dowel pins when reassembling Transmission Cover and Case – Two Required

Special Tools



W310PZ3C

Special Tools

REF	PART #	DESCRIPTION	COMMENTS
1	294P4	Bell Tool	For removal and installation of Drive Bell to Transmission Shaft
2	294P4B	Drive Bell Bolt	To update 253P4 Bell Tool
3	294P4A	Drive Bell Arms	To update 253P4 Bell Tool
4	293P4	Seal Tool	For installation of 36425 Seal
5	273P4	Gasket Tool	Use to install 38359 Gasket in Outer Tub Cover
6	254P4P	Agitator Hooks	Use to remove Agitator from Drive Bell – Set of Two

Wire Harnesses and Wires

Individual wires not serviced separately. Order complete harnesses listed below.

MODEL NUMBER	BASE HARNESS	TIMER HARNESS	HOOD HARNESS
DWA021*A	37573	34092	33805
ZA2020*A	37573	34092	33805
ZA2110*A	37573	39806	33757
ZA2120*A	37573	29281	33758

* Add Letter To Designate Color. L – Almond W – White

Order the individual wire color and gauge by the part number listed below. Order wire by the foot and terminals and connectors as required. It is recommended when applying terminals to wires that the terminals be soldered to the wires.

IMPORTANT: Always replace wires with proper gauge.

PART NUMBER	WIRE GAUGE	WIRE COLOR
45001	18 Gauge Wire	Black
45380	12 Gauge Wire	Orange

Parts Index

A

Actuator Arm 33441	13
Agitator 33513	17
Agitator Hooks 254P4P	39
Agitator Pinion 27003	29
Amp Housing 34675	33
34676	33
Anti-Seize Compound 27604P	27

B

Backflow Preventer 34500	15
Balance Ring 34731	27
Base Assembly 36599P	31
Base Harness 37573	40
Bearing 28944R	25
Bearing Housing Assembly 27182	27
35746	25
Bell Tool 294P4	39
Belt 28808	23
Bolt 29651	7
Brace 35097	31
Bracket 36036	31
36037	31
† 35525	7
Brake Assembly 38505P	25
Brake Pad Kit 548P3	25
Bumper 21685	11
32648	9
Bumper Pad 36226	31
56128	31
Bushing 36474	11

C

Cabinet Assembly 34475*P	31
Cabinet Top 36122*P	11
36273*P	11
Cap Screw 02916	5, 9
27202	17
36991	27
37047	27
Capacitor 37377	23
Capacitor Clamp 37535	23
Capacitor Kit 258P3	23
Carriage Bolt 23225	5
† 02505	7
Centered Spring 35947	19
Clip 28849	23
Clips 21036	19
Clothes Guard 32990	17
Clutch 29503	7
Coin Funnel Kit † 523P3	7
Connector 21091	35
Control Hood 37075*	9
Control Hood Rear Cover 38267	9
Control Knob Assembly 35182	9
Control Panel Frame 36521*	9
Control Panel Overlay 35960	9
35961	9
37408	9

D

Director Bracket 36034	11
Double Connector 29673	35
Dowel Pin 27172	29
Drain Hose 28293	21

Drain Hose Elbow 36990	21
Drive Bell and Seal Kit 39508P	17
Drive Bell Arms 294P4A	39
Drive Bell Bolt 294P4B	39
Drive Pinion 36562	29

E

18 Gauge Wire 45001	40
Eyelet Terminal 00110	35
00113	35

F

Fill Hose 35874	15
Flinger 27187	27
Front Panel 34656*P	31

G

Gasket 28094	17
32857	19
34338	11
39122	17
† 35526	7
Gasket Tool 273P4	39
Grommet 29175	19
Ground Clip 00161	35

H

Harness Clip 35521	35
36274	35
Helix 27018	25
Hex Head Screw 35148	31
Hex Wrench 306P4	37
Hinge 27103	31
36437	11
36438	11
Hold-Down Clip 35865	31

Hood Harness 33757	40
33758	40
33805	40
Hose Clamp 20391	21
29210	15, 21
36801	15
36802	21
39282	19
Hose Clip 39177	21
Hose Coupler 25863	21
Hose Support 36522	21
Hose Washer 20290	15
Hub and Seal Kit 495P3	17

I

Idler Lever 37443	23
Idler Lever Spring 37606	23
Idler Pulley 28800	23
Idler Shaft 28802	23
Indicator Light 32463	9
32464	9
32466	9
Inlet Hose Assembly 28330P	15
Input Shaft 34853	29
Internal Gear 26577	29

K

Knurled Nut 24205	9
----------------------------	---

L

Leg Plate 27926	19
Leveling Leg 34319	31
Leveling Leg and Stabilizing Bar Assembly 34443	31
Lever 33442	13
Loading Door 36488*P	11
Locking Bracket 30642	7

Locknut	
21899	31
28803	23
29220	17
52566	9, 23
† 29786	7
Lockwasher	
02431	5, 9
21456	5, 29
21734	5
21735	35
91093	5, 9
91176	9

M

Meter Case	
524P3*	7
Meter Case Gasket	
† 26354	7
Mixing Valve Assembly	
34963	15
Mixing Valve Mounting Bracket	
39407	15
Molex Housing	
32746	35
34123	35
34677	33
Molex Terminal	
00188	33, 35
Motor Assembly	
38034	23
38035	23
Motor Mount	
34788	23
Motor Mount Post	
34791	23
Motor Mounting Bracket	
37415	23
Motor Pulley	
27171	23
Motor Shield	
34754	23
Motor Switch	
35632	23
Mounting Bracket	
35867	31

N

Nut	
03673	35
20275	5
29796	7
35423	23
52566	5

O

'O' Ring	
† 36472	17

Outer Tub	
34439P	19
Outer Tub Cover Assembly	
36025P	19
Output Shaft	
36570	29

P

Panel Locator	
28102	31
56079	31
Pivot Dome	
34470	25
Plastic Insulator	
70210	35
Plug	
34153	11
† 36511	17
Power Cord	
39404	35
39405	35
Pressure Bulb	
30907	19
Pressure Hose	
39124	19
Pressure Switch	
35889	9
Pulley Assembly	
34923	25
Pump Assembly	
36863P	23
Pump-to-Elbow Hose	
34581	21
Push-to-Start Sticker	
53738	5

R

Rack	
31526	29
Reduction Gear	
29161	29
Retainer Nut	
27222	27
30647	7
27222	11
Retainer Ring	
23748	23
27197	29
Right Angle	
00120	35
Rivet	
56534	11
Roll Pin	
23750	23
Rubber Foot	
34318	31

S

Screw	
20267	35
20268	5
21720	7
23222	9
23962	5, 9, 13, 15, 31
27196	31
27220	25
27328	5
29273	29
32671	31
32814	29
33562	15
34337	11
34499	31
34565	23
35369	19, 25
35528	9
36035	11
36048	7
36510	13
36639	23
500226	9
503661	23
503673	7, 11
51778	5
52909	11, 21, 23
Screw and Lockwasher	
23006	11
Seal	
† 36425	17
Seal Tool	
293P4	39
Sealant	
37577P	29
Service Door	
35798*	7
Setscrew	
20310	9
Shipping Plug	
38149	37
Shoulder Bolt	
27229	23
Shoulder Screw	
29277	7
† 39432	17
Silicone Lubricant	
26594P	25
Siphon Break Kit	
562P3	21
Slide	
26493	29
Snubber Pad and Isolator Assembly	
36108	31
Spade Terminal	
00112	35
00119	35
00121	33
00220	35
Special Screw	
27030	29
Speed Nut	
36020	11

Speed Switch	
27762	9
Splined Insert	
† 29728	17
Spring	
33435	25
33443	13
Spring Hook	
321P4	37
Strain Relief	
21903	11
Support Leg	
34792	25
Switch	
33527	13
Switch Holder Kit	
36497P	13

T

Terminal	
00116	35
00117	35
Terminal and Housing Assembly	
00234	35
Terminal Block	
23033	35
23041	35
26163	35
26301	35
26302	35
26708	35
Terminal Extractor Tool	
283P4	33
Timer Assembly	
28716	5
51778	7
Timer Bracket	
35249	7
Timer Case	
37733W	5
Timer Harness	
29281	40
34092	40
39806	40
Timer Knob Assembly	
26256	5
Timer Plate	
31864W	5
Torx Bit Holder	
24161	37
Torx Head Screw	
35527	31
Transmission Assembly	
34526P	27
Transmission Case Assembly	
33223	29
Transmission Cover Assembly	
38290	29
Transmission Oil	
27243P	29
Transmission Pin Tool	
305P4	37

Tub-to-Pump Hose	
35752	21
12 Gauge Wire	
45380	40
T15 Tamper Resistant Bit	
281P4	37
T25 Tamper Resistant Bit	
282P4	37

W

Warning Label	
24903	11
500049	19
Wash Temperature Switch	
81799	9
Washer	
23225	5
26509	25, 29
27015	25
29260	29
29443	23
30627	5
35092	29
35535	25
52549	23
81392	23
Washer Shipping Brace	
39366	37
Washtub	
39252P	17
39387P	17
Wire Clip	
504034	35
51291	35
Wire Tie	
55881	35