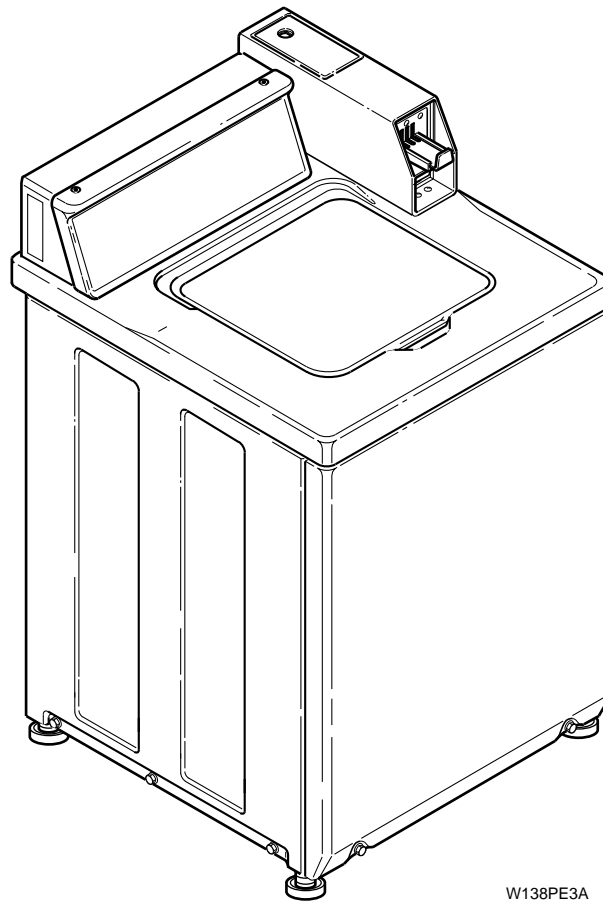


Automatic Washers

(EA*A Models)

See Page 3 for Model Numbers



W138PE3A

Table of Contents

Title	Page
Parts Ordering Information	2
Nameplate Location	2
Model Identification	3
Timer, Case and Plate	4
Timer, Meter Case and Service Door	6
Coin Drop, Meter Case and Service Door	8
Security Case, Service Door and Circuit Board	10
Control Panel, Control Hood and Controls	12
Control Panel, Control Hood and Controls	14
Cabinet Top and Loading Door	16
Out-of-Balance Switch	18
Motor, Mounting Bracket, Belt and Idler Assembly	20
Inlet Hose, Fill Hose and Mixing Valve and Mounting Bracket	22
Agitator, Drive Bell, Seal Kit, Washtub and Hub	24
Outer Tub, Cover and Pressure Hose	26
Transmission Assembly and Balance Ring	28
Transmission Assembly	30
Pump Assembly, Bracket, Hoses and Siphon Break Kit	32
Bearing Housing, Brake, Pulley and Pivot Dome	34
Front Panel, Base Assembly and Cabinet Assembly	36
Mixing Valve and Motor Disconnect Blocks, Terminals and Terminal Extractor Tool	38
Power Cord and Terminals	40
Special Tools	42
Special Tools	44
Wire Harnesses	46
Wires	46
Parts Index	47

© Copyright 1999, Alliance Laundry Systems LLC

All rights reserved. No part of the contents of this book may be reproduced or transmitted in any form or by any means without the expressed written consent of the publisher.

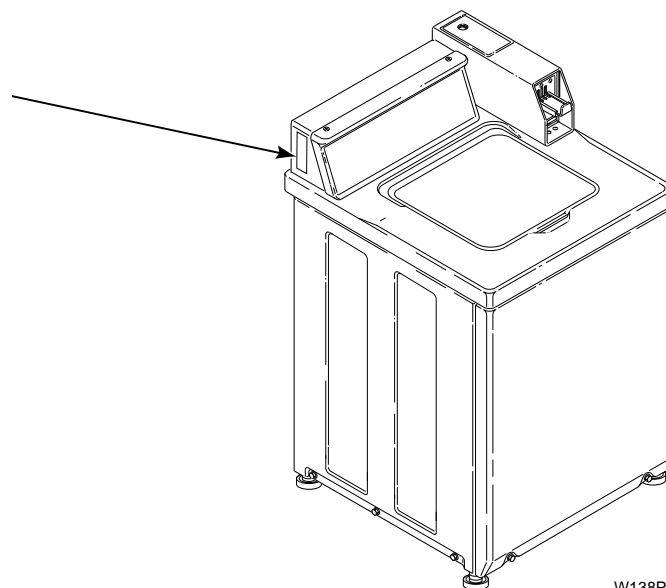
Parts Ordering Information

If literature or replacement parts are required, contact the source from whom the machine was purchased or contact Alliance Laundry Systems at (920) 748-3950 for the name and address of the nearest authorized parts distributor.

For technical assistance, call (920) 748-3121.

Nameplate Location

When calling or writing about your product, be sure to mention model and serial numbers. Model and serial numbers are located on nameplate(s) as shown.



W138PE3E

Model Identification

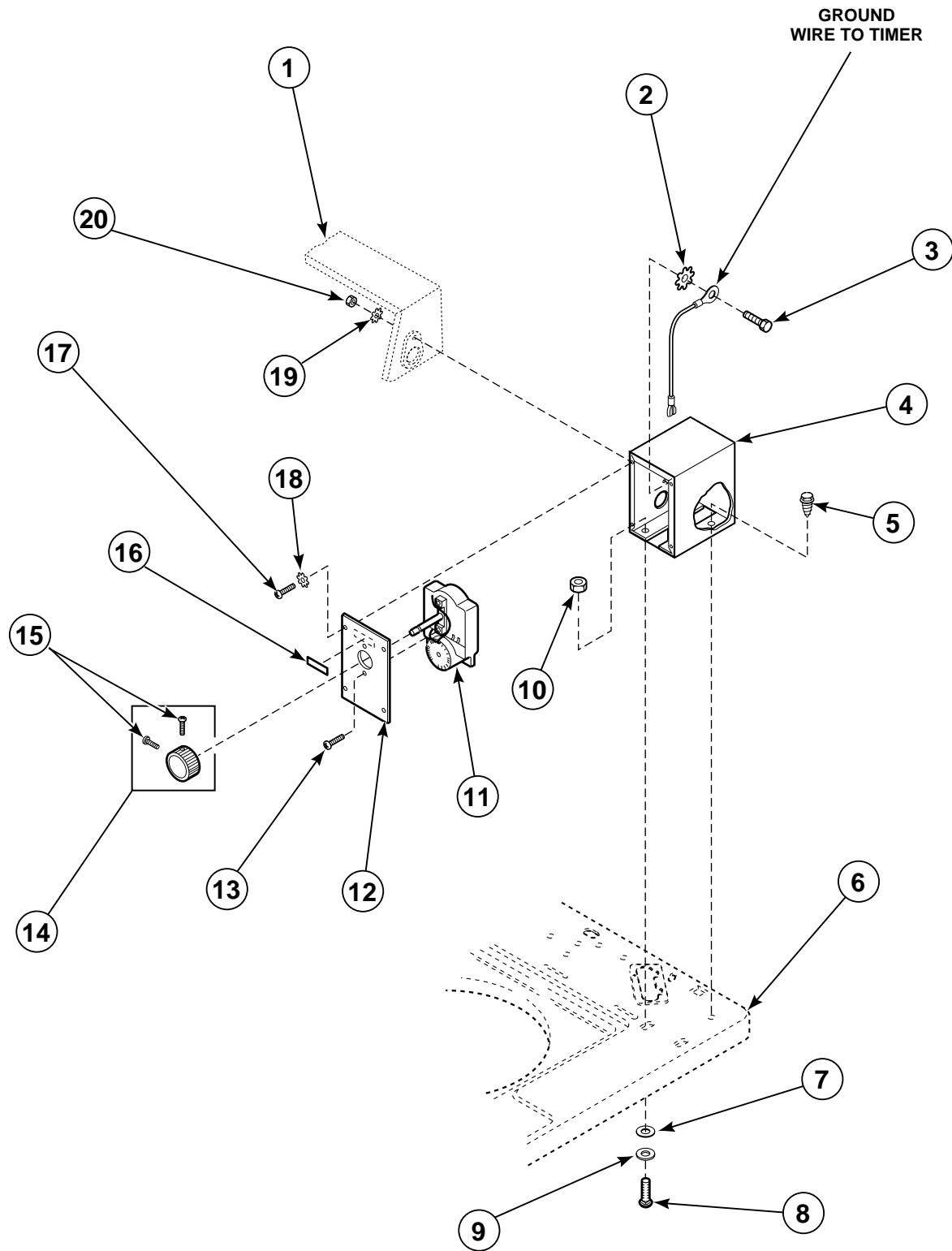
Information in this manual is applicable to these washers:

Washer Model	Nonmetered Model	Metered Model	Electronic Display Control	Card Master	One Speed Motor	Two Speed Motor	Porcelain Washtub	Stainless Steel Washtub
EA2011*A	X				X			X
EA2020*A	X					X	X	
EA2021*A	X					X		X
EA2110*A		X			X		X	
EA2111*A		X			X			X
EA2120*A		X				X	X	
EA2121*A		X				X		X
EA2210*A		X			X		X	
EA2220*A		X				X	X	
EA2221*A		X				X		X
EA2520*A		X				X	X	
EA2820*A			X			X	X	
EA2821*A			X			X		X
EA2920*A			X			X	X	
EA2921*A			X			X		X
EA3920*A				X		X	X	
EA3921*A				X		X		X

* Add Letter To Designate Color. L – Almond W – White

Timer, Case and Plate

Models EA2011*A, EA2020*A and EA2021*A



W116PZ3A

* Add Letter To Designate Color. L – Almond W – White

Timer, Case and Plate

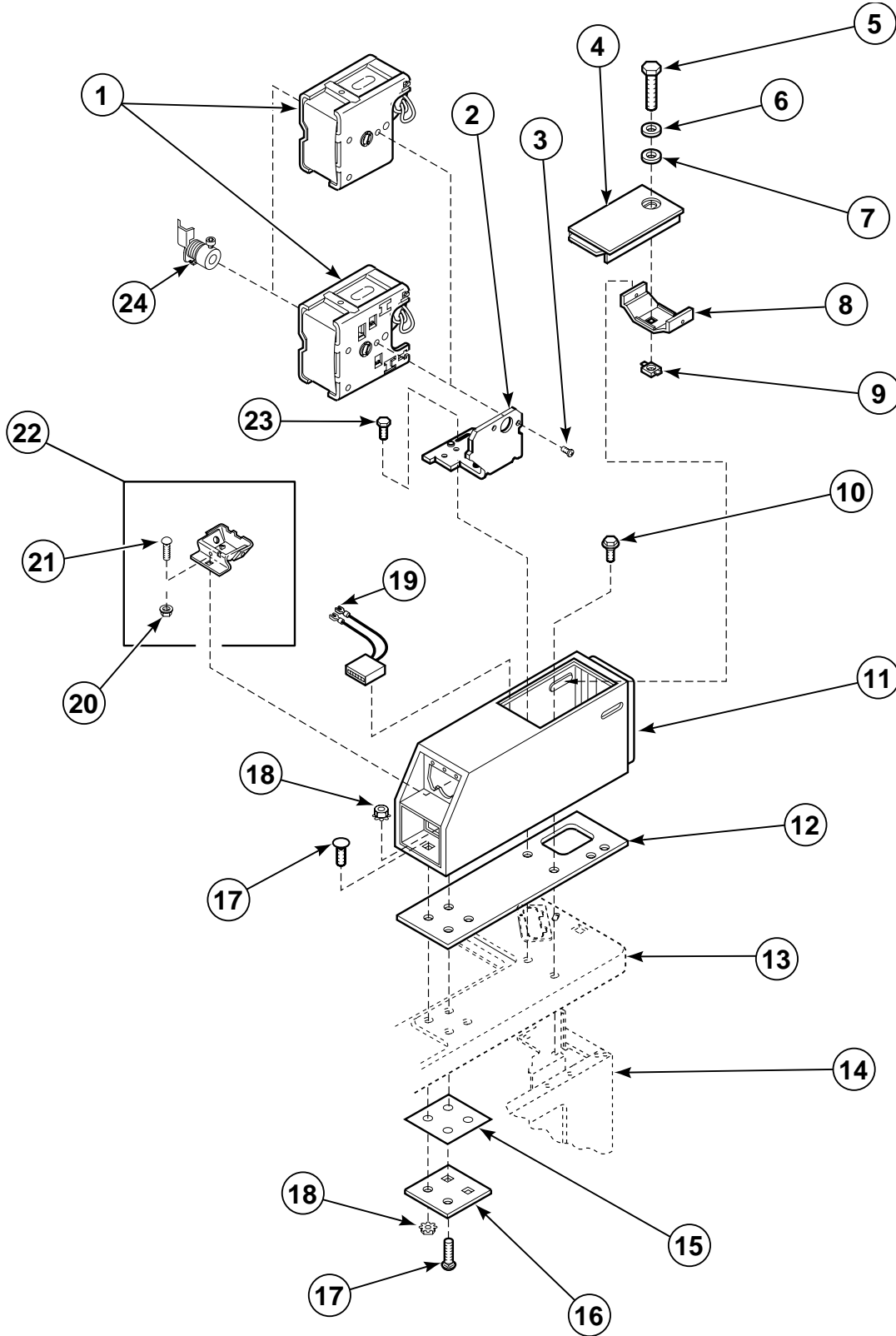
Models EA2011*A, EA2020*A and EA2021*A

REF	PART #	DESCRIPTION	COMMENTS
1	37075*	Control Hood	
2	91093	Lockwasher	
3	02916	Cap Screw	
4	37733W	Timer Case	
5	23962	Screw	
6	36122*P	Cabinet Top	Metered Models
	36273*P	Cabinet Top	Nonmetered Models
7	23225	Washer	Vinyl
8	02505	Carriage Bolt	
9	30627	Washer	
10	29786	Locknut	
11	28716	Timer Assembly	
12	31864W	Timer Plate	
13	27328	Screw	
14	26256	Timer Knob Assembly	
15	80399	Screw	
16	53738	Push-to-Start Sticker	
17	51778	Screw	
18	21734	Lockwasher	
19	02431	Lockwasher	
20	52566	Nut	

* Add Letter To Designate Color. L – Almond W – White

Timer, Meter Case and Service Door

Models EA2110*A, EA2111*A, EA2120*A, EA2121*A, EA2210*A, EA2220*A, EA2221*A and EA2520*A



W117PZ3A

* Add Letter To Designate Color. L – Almond W – White

Timer, Meter Case and Service Door

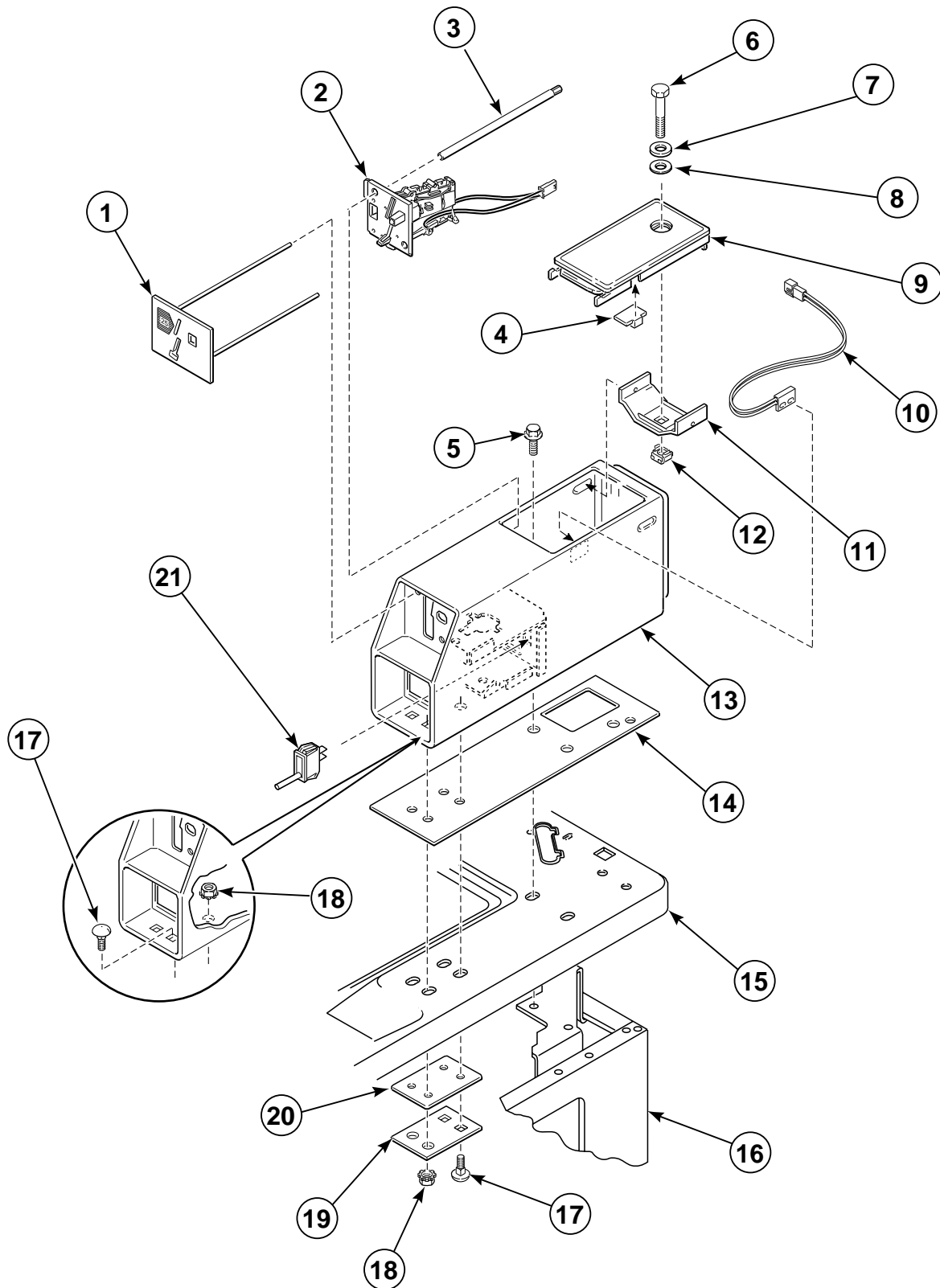
Models EA2110*A, EA2111*A, EA2120*A, EA2121*A, EA2210*A, EA2220*A, EA2221*A and EA2520*A

REF	PART #	DESCRIPTION	COMMENTS
1	31111P	Timer Assembly	Models EA2110*A, EA2111*A, EA2120*A and EA2121*A
	34601P	Timer Assembly	Models EA2210*A, EA2220*A and EA2221*A
	34602	Timer Assembly	Model EA2520*A
2	35249	Timer Bracket	
3	21720	Screw	
4	35798*	Service Door	
5	503673	Screw	
6	35917	Washer	Metal
7	35774	Washer	Vinyl
8	30642	Locking Bracket	
9	30647	Retainer Nut	
10	29277	Shoulder Screw	
11	524P3*	Meter Case	Includes all parts marked with a dagger †
12	†26354	Meter Case Gasket	
13	36122*P	Cabinet Top	Metered Models
	36273*P	Cabinet Top	Nonmetered Models
14	34475*P	Cabinet Assembly	
15	†35526	Gasket	
16	†35525	Bracket	
17	†02505	Carriage Bolt	
18	†29786	Locknut	
19	62113P	Counter Kit	Model EA2520*A
20	29796	Nut	
21	29651	Bolt	
22	†523P3	Coin Funnel Kit	
23	36048	Screw	
24	29503	Clutch	

* Add Letter To Designate Color. L – Almond W – White

Coin Drop, Meter Case and Service Door

Models EA2820*A, EA2821*A, EA2920*A and EA2921*A



W195PZ3A

* Add Letter To Designate Color. L – Almond W – White

Coin Drop, Meter Case and Service Door

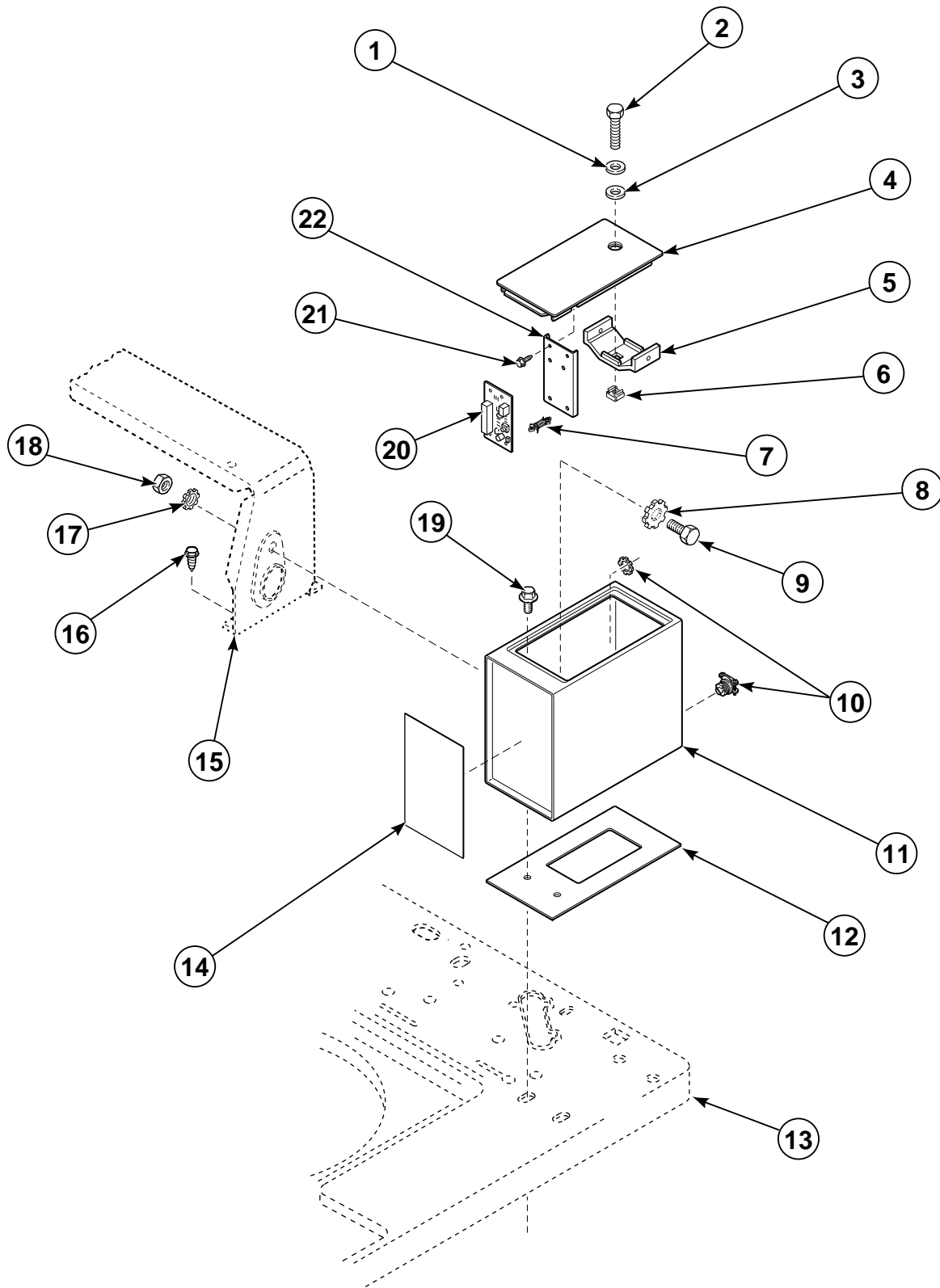
Models EA2820*A, EA2821*A, EA2920*A and EA2921*A

REF	PART #	DESCRIPTION	COMMENTS
1	501364	Coin Drop Front Plate	
2	M412001	Coin Drop Assembly	
3	501365	Locking Rod	
4	501453	Magnet	
5	36048	Screw	
6	503673	Screw	
7	35917	Washer	Metal
8	35774	Washer	Vinyl
9	35798*	Service Door	
10	34599	Switch	
11	30642	Locking Bracket	
12	30647	Retainer Nut	
13	38542*P	Meter Case	
14	26354	Gasket	
15	36122*P	Cabinet Top	Metered Models
	36273*P	Cabinet Top	Nonmetered Models
16	34475*P	Cabinet Assembly	
17	02505	Carriage Bolt	
18	29786	Locknut	
19	35525	Bracket	
20	35526	Gasket	
21	62872	Switch	

* Add Letter To Designate Color. L – Almond W – White

Security Case, Service Door and Circuit Board

Models EA3920*A and EA3921*A



W245PZ3B

* Add Letter To Designate Color. L – Almond W – White

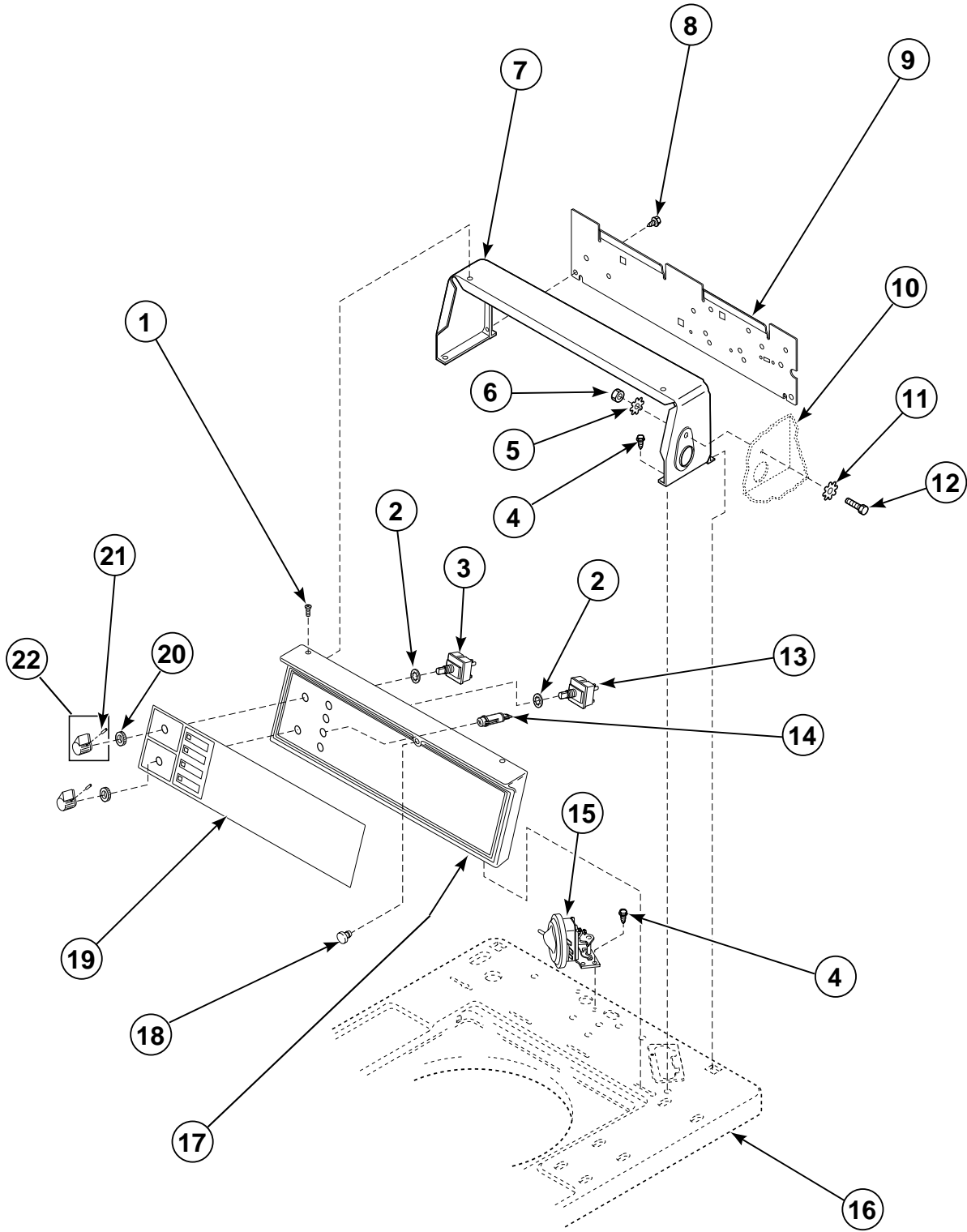
Security Case, Service Door and Circuit Board

Models EA3920*A and EA3921*A

REF	PART #	DESCRIPTION	COMMENTS
1	35917	Washer	Metal
2	503673	Screw	
3	35774	Washer	Vinyl
4	35798*	Service Door	
5	30642	Locking Bracket	
6	30647	Retainer Nut	
7	501523	Support	
8	91093	Lockwasher	
9	02916	Cap Screw	
10	M400149	Wire Connector	
11	37751*	Security Case	
12	37526	Gasket	
13	36122*P	Cabinet Top	Metered Models
	36273*P	Cabinet Top	Nonmetered Models
14	37589	Overlay	
15	37075*	Control Hood	
16	23962	Screw	
17	02431	Lockwasher	
18	52566	Nut	
19	36048	Screw	
20	37386P	Circuit Board	
21	52909	Screw	
22	503017	Bracket	

Control Panel, Control Hood and Controls

Models EA2011*A, EA2020*A, EA2021*A, EA2110*A, EA2111*A, EA2120*A, EA2121*A, EA2210*A, EA2220*A, EA2221*A and EA2520*A



W119PZ3B

* Add Letter To Designate Color. L – Almond W – White

Control Panel, Control Hood and Controls

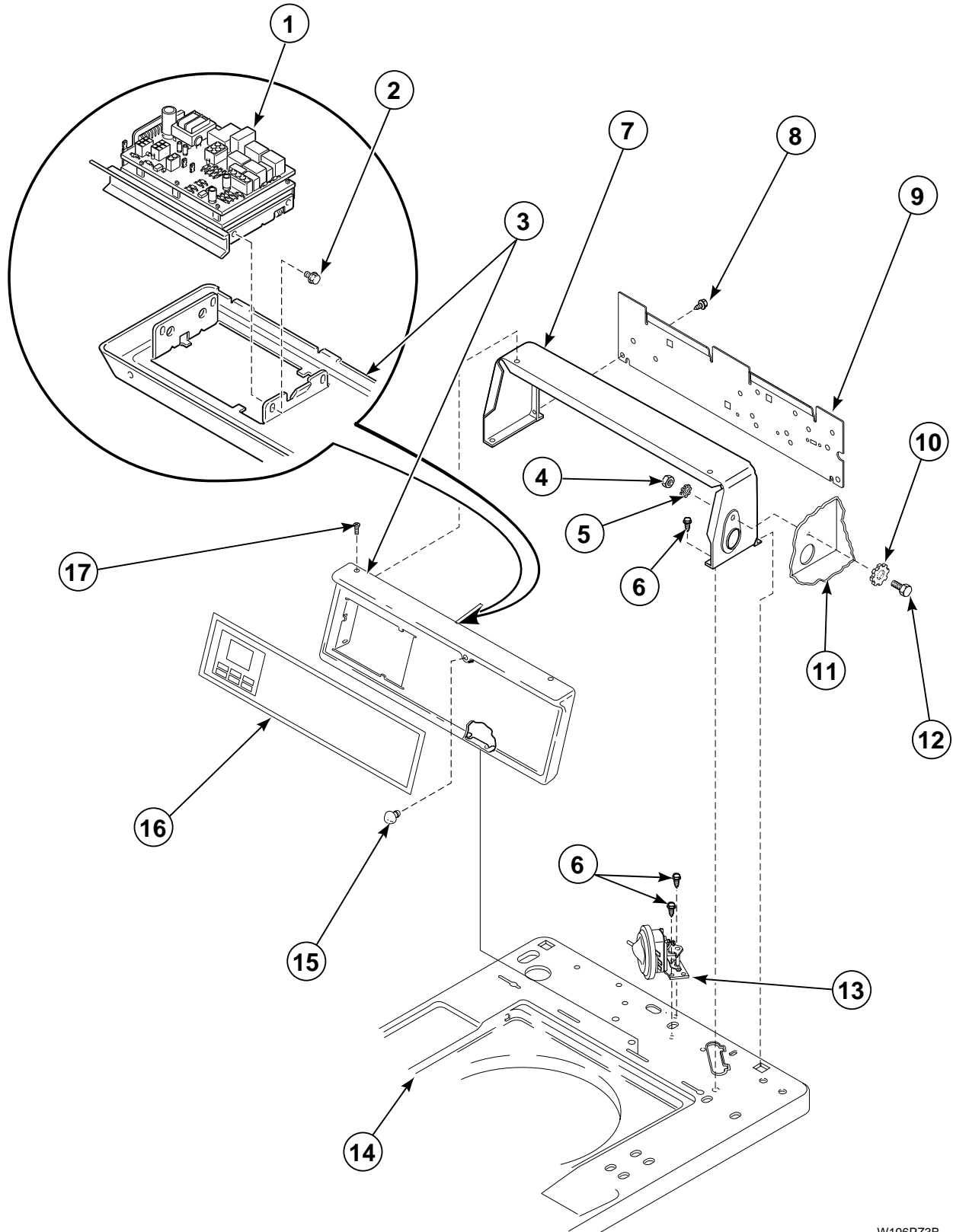
Models EA2011*A, EA2020*A, EA2021*A, EA2110*A, EA2111*A, EA2120*A, EA2121*A, EA2210*A, EA2220*A, EA2221*A and EA2520*A

REF	PART #	DESCRIPTION	COMMENTS
1	500226	Screw	Phillips Head
	35528	Screw	Torx Head – See Page 42 for Torx Bit and Holder
2	91176	Lockwasher	
3	81799	Wash Temperature Switch	
4	23962	Screw	
5	02431	Lockwasher	
6	52566	Locknut	
7	37075*	Control Hood	
8	23222	Screw	
9	38267	Control Hood Rear Cover	
10	37733W	Timer Case	
	524P3*	Meter Case	
11	91093	Lockwasher	
12	02916	Cap Screw	
13	27762	Speed Switch	Two Speed Models
14	32464	Indicator Light	4 Required – Models EA2011*A, EA2020*A and EA2021*A
	32463	Indicator Light	Unbalanced Load – All Other Models
	32466	Indicator Light	In Use – All Other Models
	32464	Indicator Light	Rinse or Spin – All Other Models
15	35889	Pressure Switch	
16	36122*P	Cabinet Top	Metered Models
	36273*P	Cabinet Top	Nonmetered Models
17	36521*	Control Panel Frame	
18	32648	Bumper	
19	32460	Control Panel Overlay	Models EA2011*A, EA2110*A, EA2111*A and EA2210*A
	32472	Control Panel Overlay	Models EA2020*A, EA2021*A, EA2120*A, EA2121*A, EA2220*A, EA2221*A and EA2520*A
20	24205	Knurled Nut	
21	20310	Setscrew	
22	35182	Control Knob Assembly	

* Add Letter To Designate Color. L – Almond W – White

Control Panel, Control Hood and Controls

Models EA2820*A, EA2821*A, EA2920*A, EA2921*A, EA3920*A and EA3921*A



W196PZ3B

* Add Letter To Designate Color. L – Almond W – White

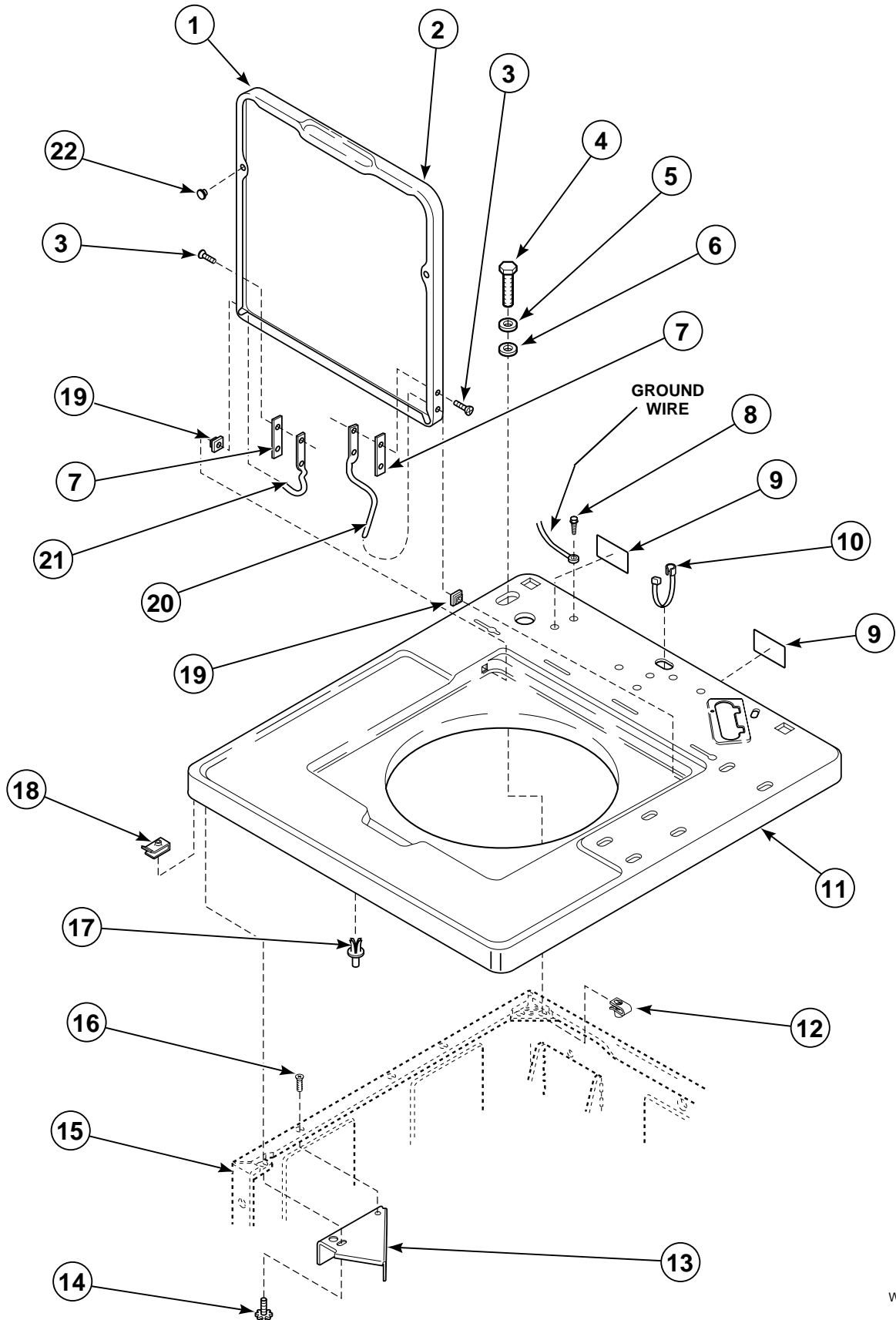
Control Panel, Control Hood and Controls

Models EA2820*A, EA2821*A, EA2920*A, EA2921*A, EA3920*A and EA3921*A

REF	PART #	DESCRIPTION	COMMENTS
1	38188P	Control and Shield	
2	501524	Screw	
3	36097*	Control Panel Frame	
4	52566	Locknut	
5	02431	Lockwasher	
6	23962	Screw	
7	37075*	Control Hood	
8	23222	Screw	
9	38267	Control Hood Rear Panel	
10	91093	Lockwasher	
11	38542*P	Meter Case	
	37751*	Security Case	
12	02916	Cap Screw	
13	35889	Pressure Switch	
14	36122*P	Cabinet Top	Metered Models
	36273*P	Cabinet Top	Nonmetered Models
15	32648	Bumper	
16	39096	Control Panel Overlay	
17	500226	Screw	Phillips Head
	35528	Screw	Torx Head – See Page 42 for Torx Bit and Holder

* Add Letter To Designate Color. L – Almond W – White

Cabinet Top and Loading Door



W123PZ3A

* Add Letter To Designate Color. L – Almond W – White

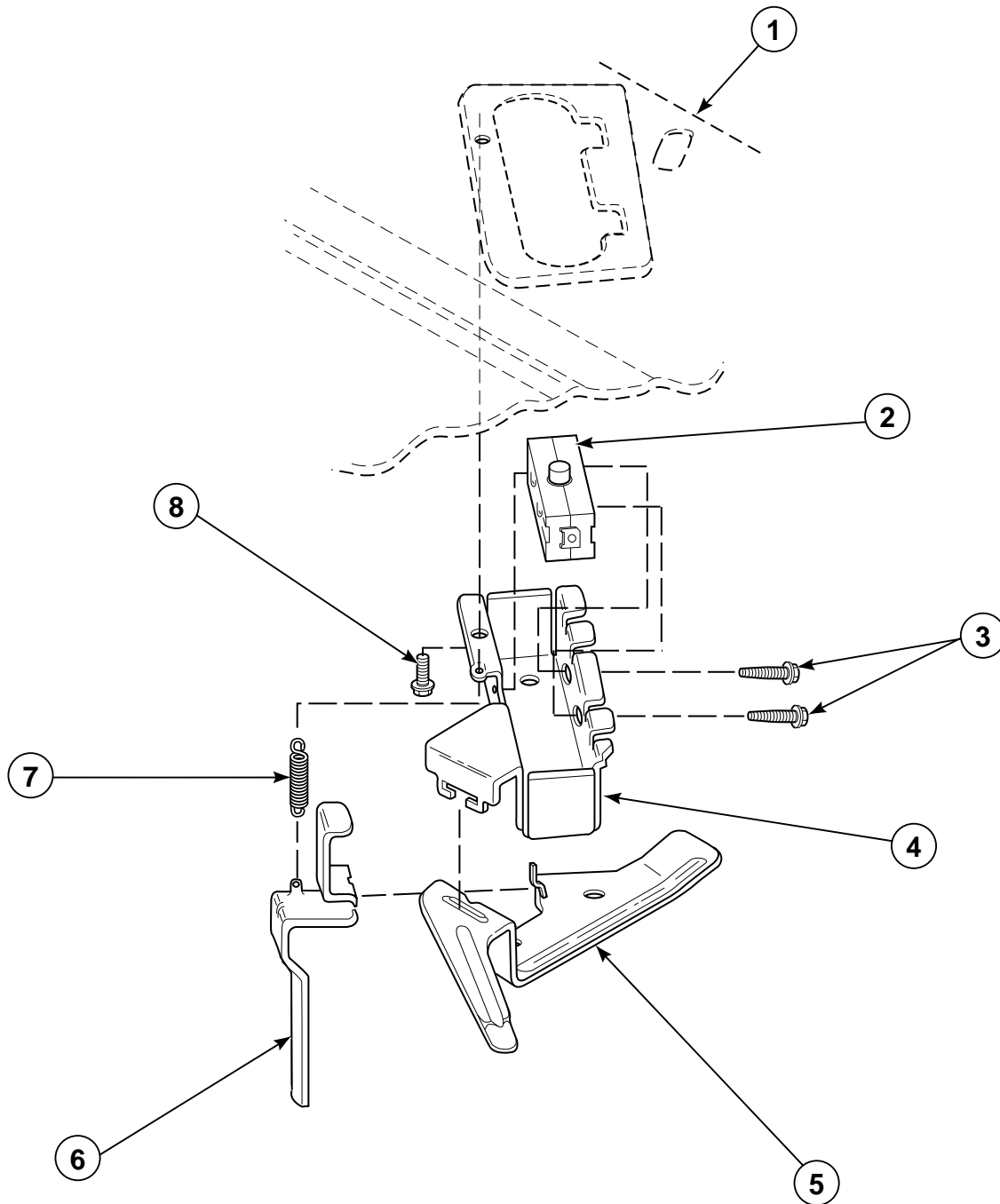
Cabinet Top and Loading Door

REF	PART #	DESCRIPTION	COMMENTS
1	39233*P	Loading Door	Porcelain
2	34153	Plug	
3	34337	Screw	
4	†503673	Screw	
5	†35917	Washer	Metal
6	†35774	Washer	Vinyl
7	34338	Gasket	
8	52909	Screw	
9	24903	Sticker	
10	21903	Strain Relief	
11	36122*P	Cabinet Top	Metered Models
	36273*P	Cabinet Top	Nonmetered Models
12	†27222	Retainer Nut	
13	36034	Director Bracket	
14	23008	Screw and Lockwasher	
15	34475*P	Cabinet Assembly	
16	36035	Screw	
17	56534	Rivet	
18	36020	Speed Nut	
19	36474	Bushing	
20	36437	Hinge	Right
21	36438	Hinge	Left
22	21685	Bumper	

* Add Letter To Designate Color. L – Almond W – White

†Optional for Added Security

Out-of-Balance Switch



W246PZ3A

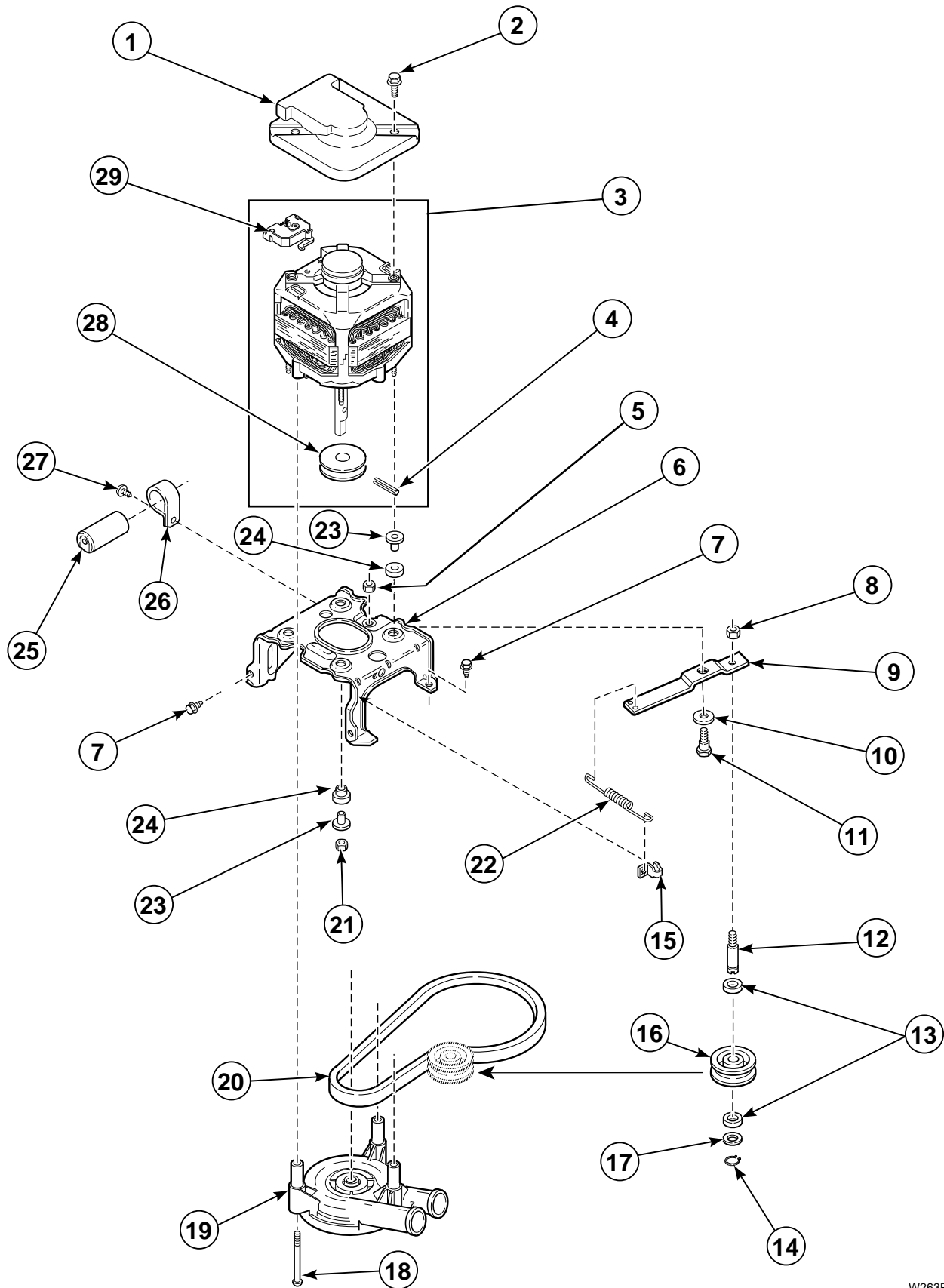
* Add Letter To Designate Color. L – Almond W – White

Out-of-Balance Switch

REF	PART #	DESCRIPTION	COMMENTS
1	36122*P	Cabinet Top	Metered Models
	36273*P	Cabinet Top	Nonmetered Models
2	33445	Switch	Models EA2820*A, EA2821*A, EA2920*A and EA2921*A, EA3920*A and EA3921*A
	33527	Switch	All Other Models
3	36510	Screw	
4	36497P	Switch Holder Kit	Includes two 36510 Screws
5	33441	Actuator Arm	
6	33442	Lever	
7	33443	Spring	
8	23962	Screw	

* Add Letter To Designate Color. L – Almond W – White

Motor, Mounting Bracket, Belt and Idler Assembly



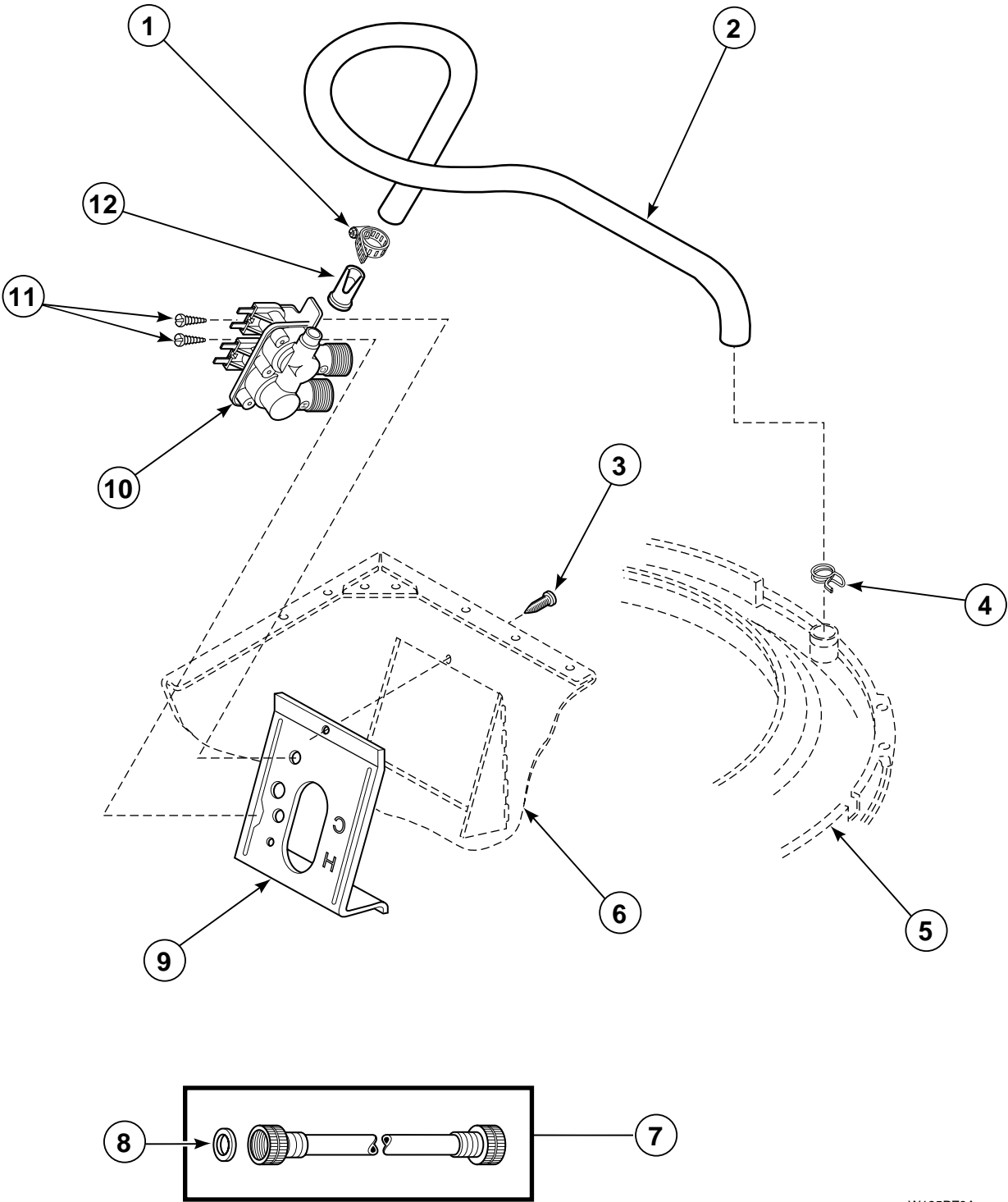
W263PZ3A

Motor, Mounting Bracket, Belt and Idler Assembly

REF	PART #	DESCRIPTION	COMMENTS
1	34754	Motor Shield	
2	36639	Screw	
3	38035	Motor Assembly	One Speed Motor
	38034	Motor Assembly	Two Speed Motor
4	23750	Roll Pin	
5	52566	Locknut	
6	37415	Motor Mounting Bracket	
7	503661	Screw	
8	28803	Locknut	
9	37443	Idler Lever	
10	81392	Washer	
11	27229	Shoulder Bolt	
12	28802	Idler Shaft	
13	29443	Washer	Felt
14	23748	Retainer Ring	
15	28849	Clip	
16	28800	Idler Pulley	
17	52549	Washer	Nylatron
18	34565	Screw	
19	36863P	Pump Assembly	
20	28808	Belt	Agitate and Spin
21	35423	Nut	
22	37606	Idler Lever Spring	
23	34791	Motor Mount Post	
24	34788	Motor Mount	Rubber
25	37377	Capacitor	
26	37535	Capacitor Clamp	
27	52909	Screw	
28	27171	Motor Pulley	Gold
29	35632	Motor Switch	

* Add Letter To Designate Color. L – Almond W – White

Inlet Hose, Fill Hose and Mixing Valve and Mounting Bracket



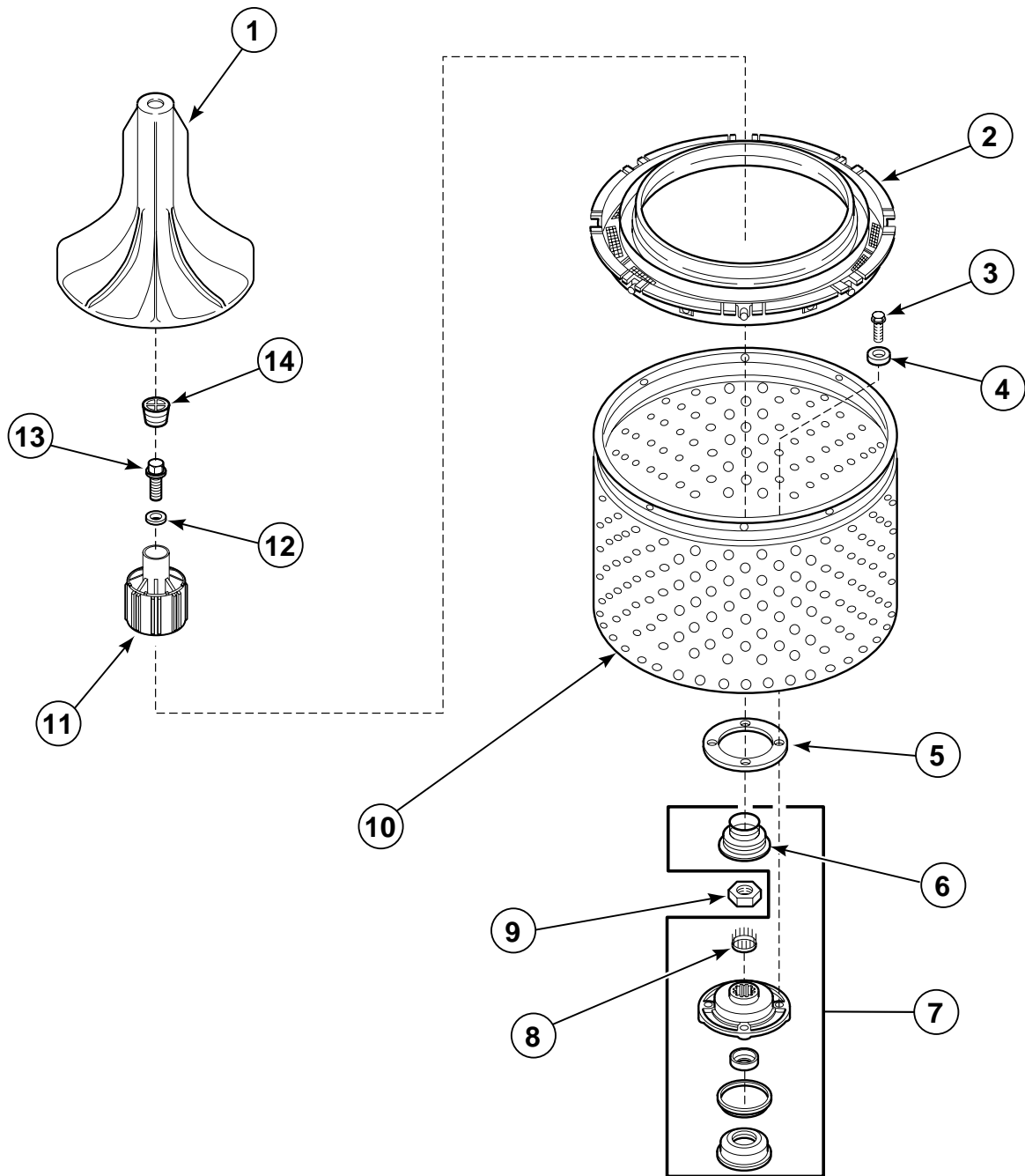
W125PZ3A

Inlet Hose, Fill Hose and Mixing Valve and Mounting Bracket

REF	PART #	DESCRIPTION	COMMENTS
1	36801	Hose Clamp	
2	35874	Fill Hose	
3	33562	Screw	
4	29210	Hose Clamp	Gold
5	36025P	Outer Tub Cover Assembly	
6	34475*P	Cabinet Assembly	
7	28330P	Inlet Hose Assembly	Four Foot
	20617	Inlet Hose Assembly	Eight Foot
	20618	Inlet Hose Assembly	Ten Foot
8	20290	Hose Washer	
9	39407	Mixing Valve Mounting Bracket	
10	34963	Mixing Valve Assembly	
11	23962	Screw	
12	34500	Backflow Preventer	

* Add Letter To Designate Color. L – Almond W – White

Agitator, Drive Bell, Seal Kit, Washtub and Hub



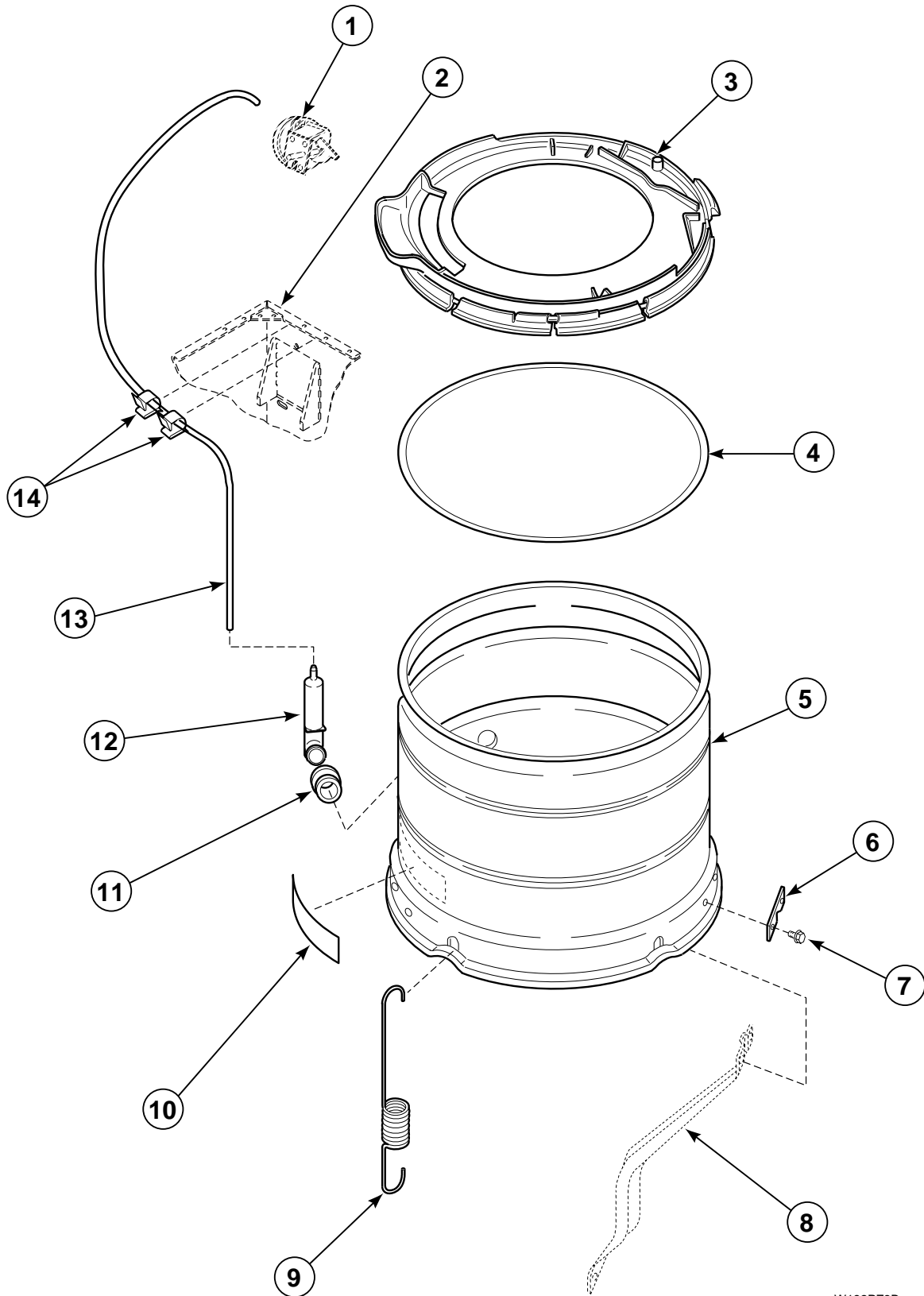
W227PZ3A

Agitator, Drive Bell, Seal Kit, Washtub and Hub

REF	PART #	DESCRIPTION	COMMENTS
1	33513	Agitator	
2	32990	Clothes Guard	
3	27202	Cap Screw	
4	28094	Gasket	
5	39122	Gasket	
6	†36425	Seal	
7	495P3	Hub and Seal Kit	Includes 32857 Cover Gasket and 39508P Drive Bell and Seal Kit
8	†29728	Splined Insert	
9	29220	Locknut	
10	38668P	Washtub	Porcelain
	39387P	Washtub	Stainless Steel
11	†39508P	Drive Bell and Seal Kit	Includes parts marked with a dagger
12	†36472	"O" Ring	
13	†39432	Shoulder Screw	
14	†36511	Plug	

†Parts with a dagger are included in the 39508P Drive Bell and Seal Kit.

Outer Tub, Cover and Pressure Hose



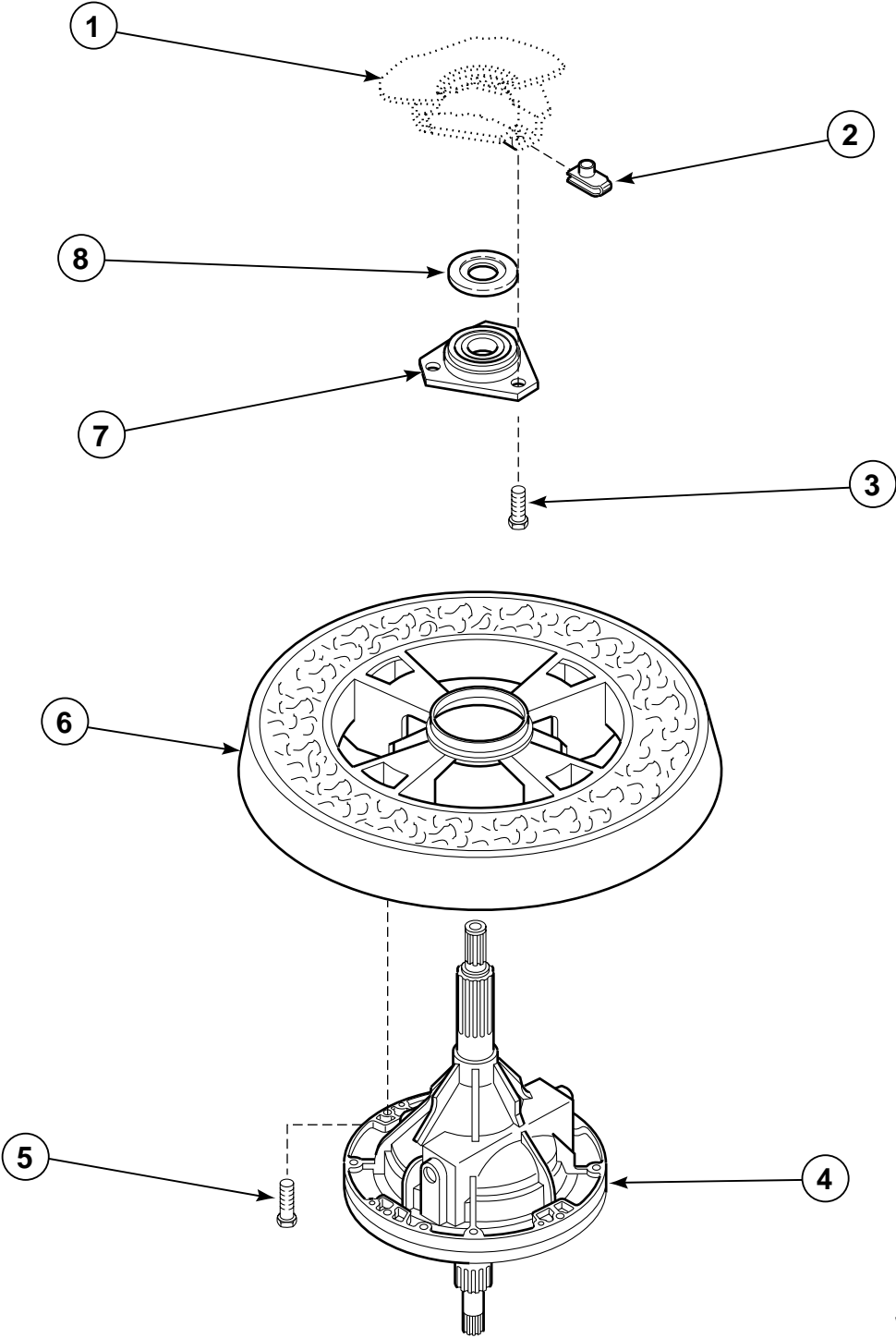
W182PZ3B

Outer Tub, Cover and Pressure Hose

REF	PART #	DESCRIPTION	COMMENTS
1	35889	Pressure Switch	
2	34475*P	Cabinet Assembly	
3	36025P	Outer Tub Cover Assembly	Includes item 4
4	32857	Gasket	
5	34439P	Outer Tub	
6	27926	Leg Plate	
7	35369	Screw	
8	34792	Support Leg	
9	35947	Centering Spring	
10	500049	Sticker	
11	29175	Grommet	
12	30907	Pressure Bulb	
13	39125	Pressure Hose	Models EA2820*A, EA2821*A, EA2920*A, EA2921*A, EA3920*A and EA3921*A
	39124	Pressure Hose	All Other Models
14	21036	Clips	

* Add Letter To Designate Color. L – Almond W – White

Transmission Assembly and Balance Ring

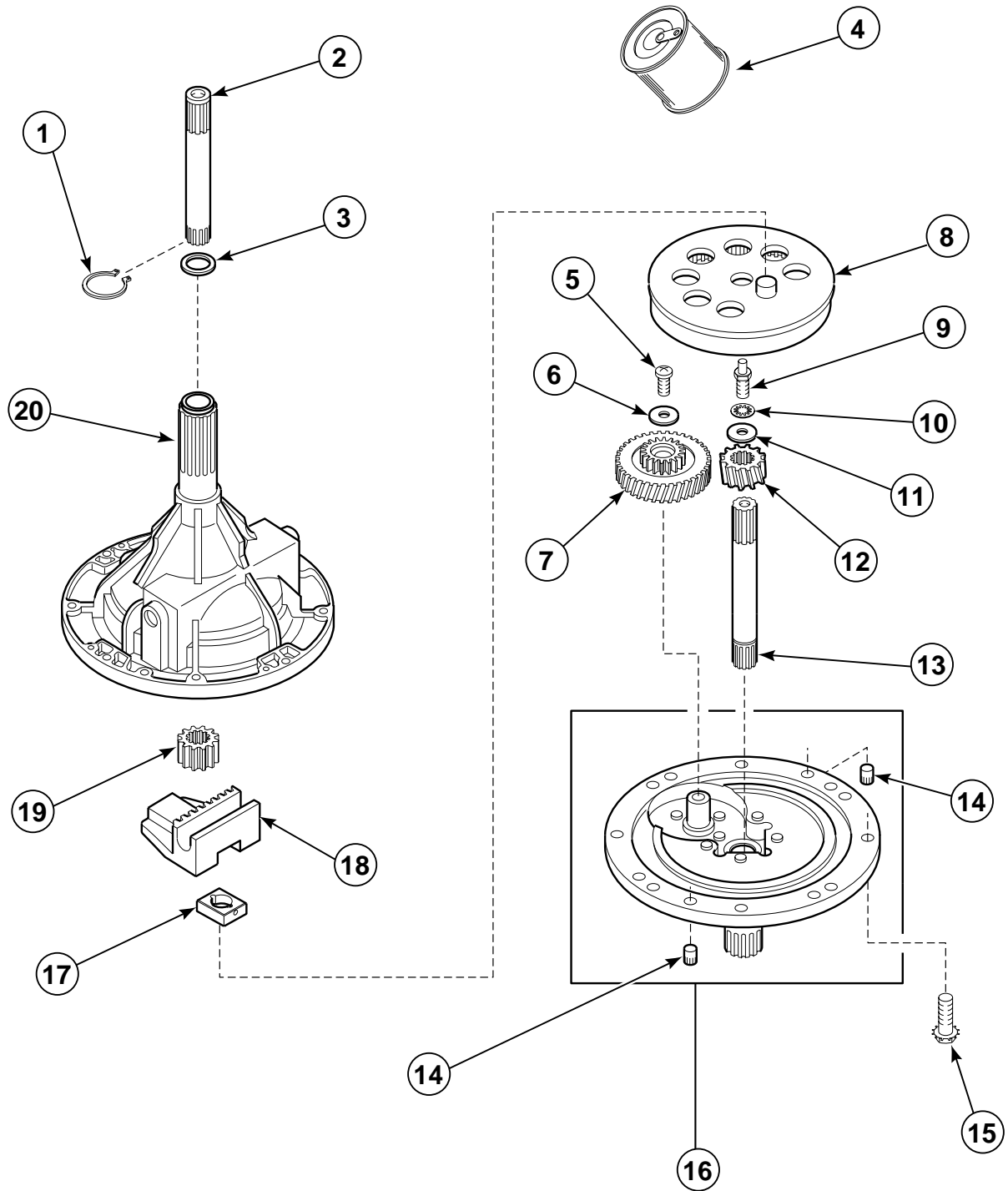


W234PZ3B

Transmission Assembly and Balance Ring

REF	PART #	DESCRIPTION	COMMENTS
	27604P	Anti-Seize Compound	Apply to both the upper and lower transmission tubes.
1	34439P	Outer Tub	
2	27222	Retainer Nut	
3	36991	Cap Screw	
4	34526P	Transmission Assembly	See Page 30 for component parts
5	37047	Cap Screw	
6	34731	Balance Ring	
7	27182	Bearing Housing Assembly	
8	27187	Flinger	Used through Serial No. 9510053575

Transmission Assembly

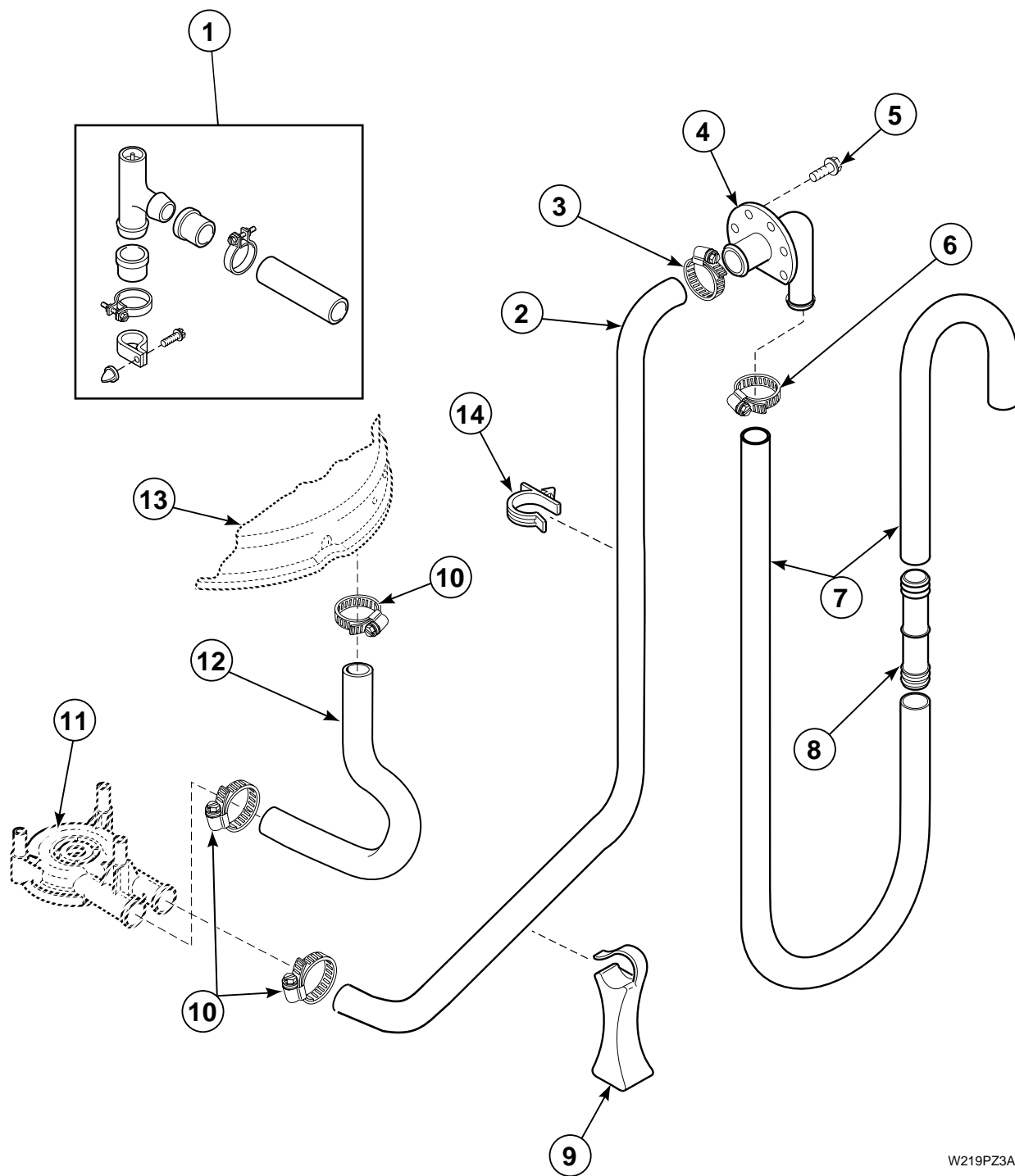


W132PZ3A

Transmission Assembly

REF	PART #	DESCRIPTION	COMMENTS
	37577P	Sealant	Use between Transmission Case and Cover
1	27197	Retainer Ring	
2	36570	Output Shaft	
3	35092	Washer	
4	27243P	Transmission Oil	1 Fill
5	29273	Screw	
6	29260	Washer	
7	29161	Reduction Gear	
8	26577	Internal Gear	
9	27030	Special Screw	
10	21456	Lockwasher	
11	26509	Washer	
12	36562	Drive Pinion	
13	34853	Input Shaft	
14	27172	Dowel Pin	
15	32814	Screw	
16	38290	Transmission Cover Assembly	
17	26493	Slide	
18	31526	Rack	
19	27003	Agitator Pinion	
20	33223	Transmission Case Assembly	

Pump Assembly, Bracket, Hoses and Siphon Break Kit

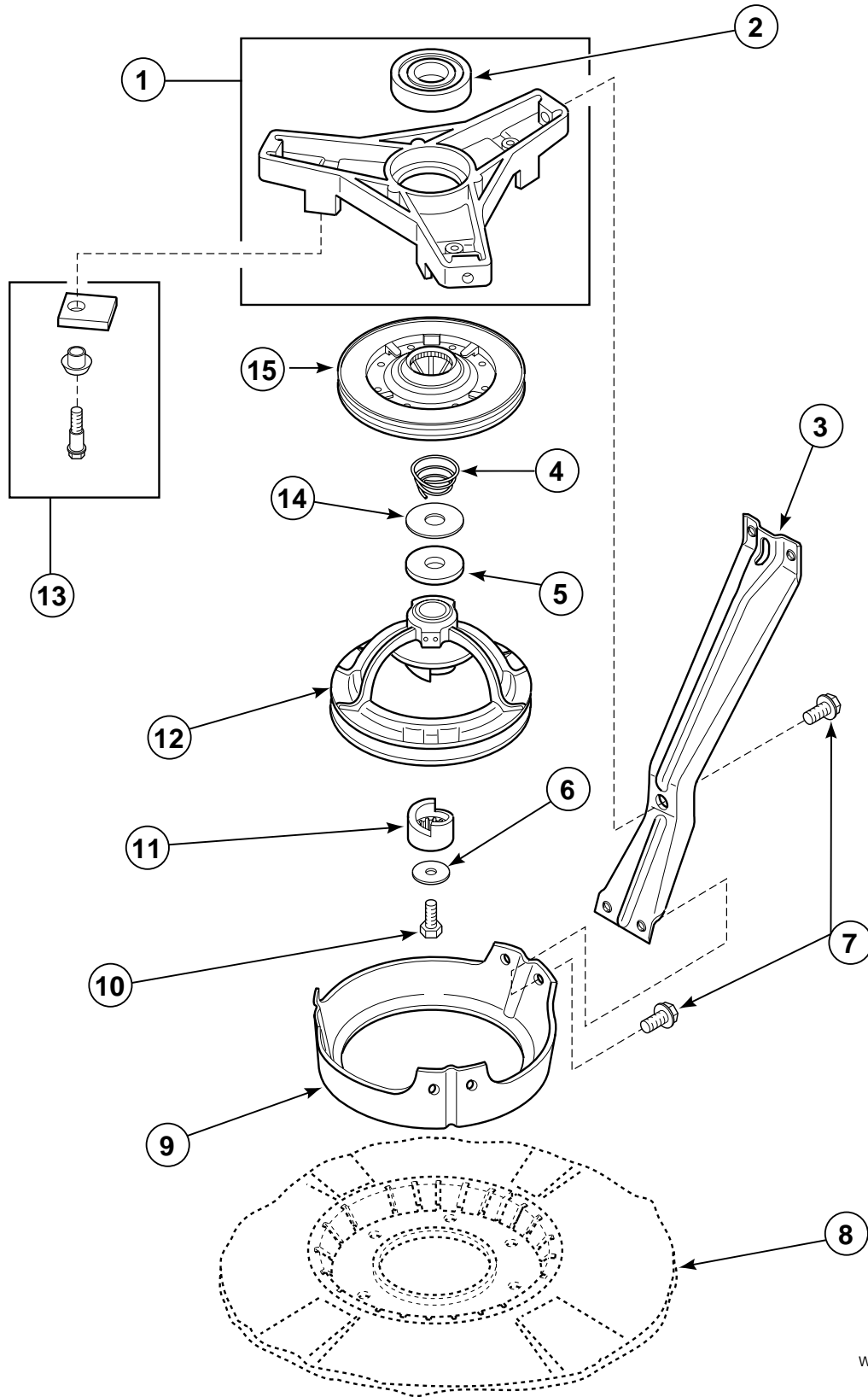


W219PZ3A

Pump Assembly, Bracket, Hoses and Siphon Break Kit

REF	PART #	DESCRIPTION	COMMENTS
1	562P3	Siphon Break Kit	Siphon break kit MUST be installed in drain hose if drain receptacle is lower than cabinet top of washer.
2	34581	Pump-to-Elbow Hose	
3	20391	Hose Clamp	
4	36990	Drain Hose Elbow	
5	52909	Screw	
6	20211	Hose Clamp	
7	28293	Drain Hose	
8	25863	Hose Coupler	If drain hose must be shortened, cut hose between molded end and molded elbow. Use one No. 25863 Hose Coupler to splice hose.
9	36522	Hose Support	
10	36802	Hose Clamp	
11	36863P	Pump Assembly	
12	35752	Tub-to-Pump Hose	
13	34439P	Outer Tub	
14	39177	Hose Clip	

Bearing Housing, Brake, Pulley and Pivot Dome



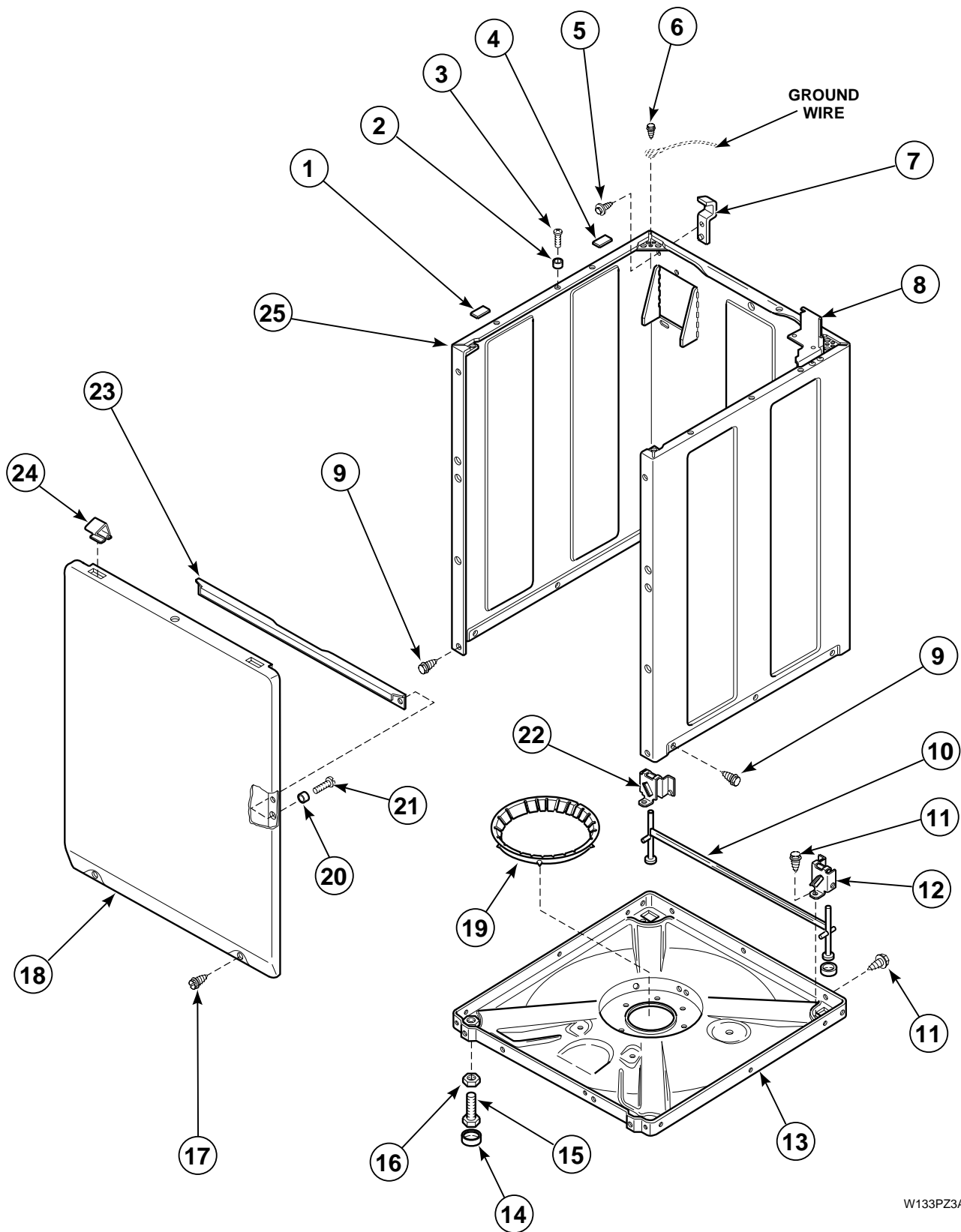
W130PZ3B

Bearing Housing, Brake, Pulley and Pivot Dome

REF	PART #	DESCRIPTION	COMMENTS
	26594P	Silicone Lubricant	Apply a small amount to each new brake pad.
1	35746	Bearing Housing Assembly	
2	28944R	Bearing	
3	34792	Support Leg	
4	33435	Spring	
5	27015	Washer	Thick
6	26509	Washer	
7	35369	Screw	
8	36599P	Base Assembly	
9	34470	Pivot Dome	
10	27220	Screw	
11	27018	Helix	
12	34923	Pulley Assembly	
13	548P3	Brake Pad Kit	Includes three pads, sleeves and screws.
14	35535	Washer	Thin
15	38505P	Brake Assembly	

* Add Letter To Designate Color. L – Almond W – White

Front Panel, Base Assembly and Cabinet Assembly



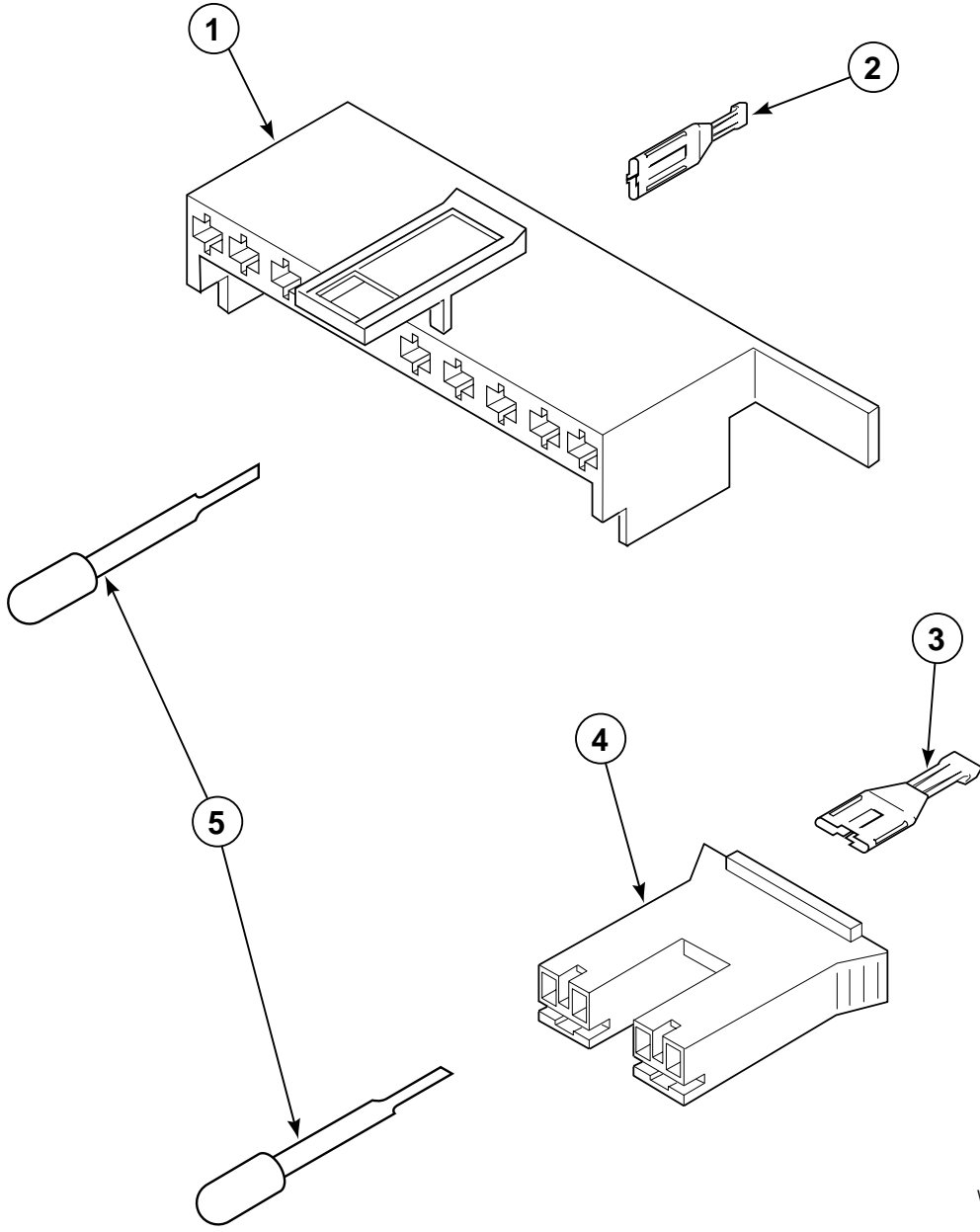
W133PZ3A

Front Panel, Base Assembly and Cabinet Assembly

REF	PART #	DESCRIPTION	COMMENTS
1	56128	Bumper Pad	Thin
2	56079	Guide Lug	
3	32671	Screw	
4	36226	Bumper Pad	Thick
5	34499	Screw	
6	23962	Screw	
7	27103	Hinge	
8	35867	Mounting Bracket	
9	27196	Screw	
10	34443	Leveling Leg and Stabilizing Bar Assembly	
11	35148	Screw	
12	36036	Bracket	Right
13	36599P	Base Assembly	Includes items 10, 12, 15, 19 and 22.
14	34318	Rubber Foot	
15	34319	Leveling Leg	
16	21899	Locknut	
17	27196	Screw	Slotted Hex Head
	35527	Screw	Torx Head – See Page 42 for Torx Bit and Holder
18	34656*P	Front Panel	Includes items 23 and 24.
19	36108	Snubber Pad and Isolator Assembly	
20	28102	Guide Lug	
21	32671	Screw	
22	36037	Bracket	Left
23	35097	Brace	
24	35865	Hold-Down Clip	
25	34475*P	Cabinet Assembly	

* Add Letter To Designate Color. L – Almond W – White

Mixing Valve and Motor Disconnect Blocks, Terminals and Terminal Extractor Tool

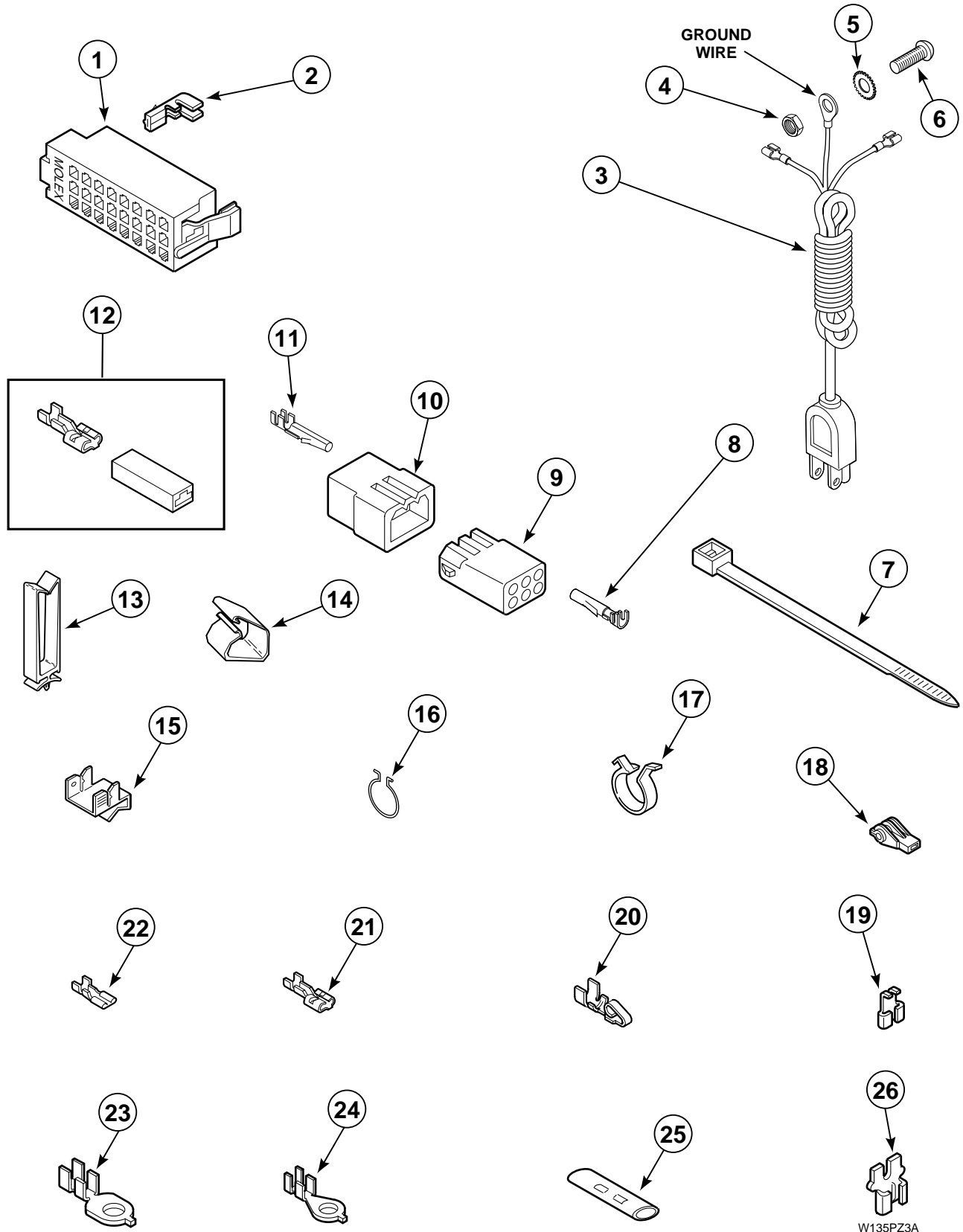


W134PZ3B

Mixing Valve and Motor Disconnect Blocks, Terminals and Terminal Extractor Tool

REF	PART #	DESCRIPTION	COMMENTS
1	34677	Molex Housing	Motor
2	00188	Molex Terminal	For one or two wire application
3	00121	Spade Terminal	1/4 inch
4	34675	Amp Housing	Mixing Valve, Natural
	34676	Amp Housing	Mixing Valve, Red
5	283P4	Terminal Extractor Tool	

Power Cord and Terminals



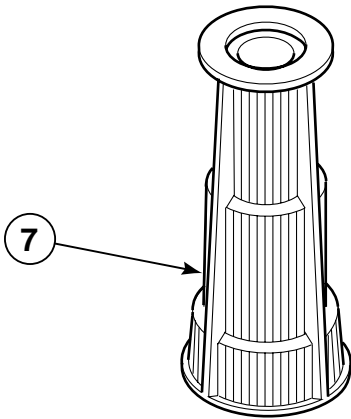
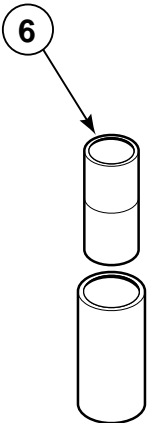
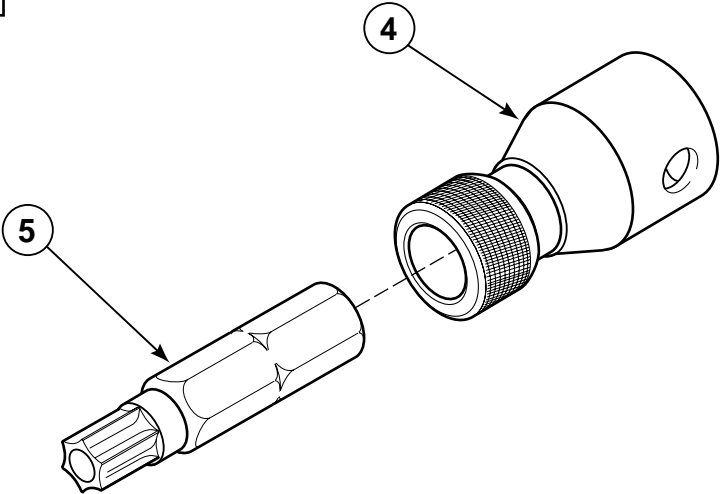
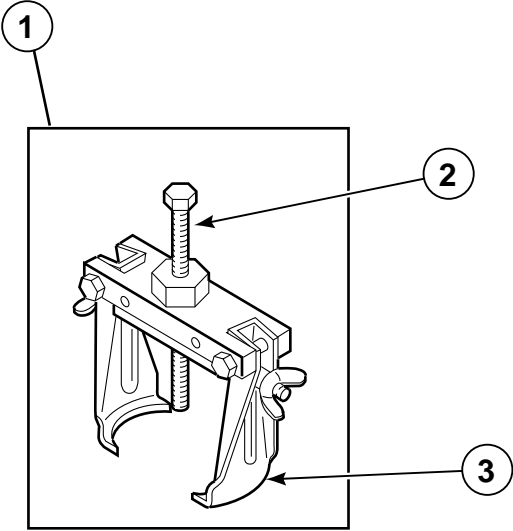
W135PZ3A

Power Cord and Terminals

REF	PART #	DESCRIPTION	COMMENTS
1	32746	Molex Housing	Right Hand
	34123	Molex Housing	Left Hand
2	00188	Molex Terminal	Used for one of two wire application
3	39405	Power Cord	Models EA2011*A, EA2020*A, EA2021*A, EA2820*A, EA2821*A, EA2920*A, EA2921*A, EA3920*A and EA3921*A
	39404	Power Cord	All Other Models
4	03673	Nut	
5	03815	Lockwasher	
6	20267	Screw	
7	55881	Wire Tie	
8	00117	Terminal	Female
9	26301	Terminal Block	1 circuit
	26708	Terminal Block	6 circuit
	26163	Terminal Block	9 circuit
10	26302	Terminal Block	1 circuit
	23041	Terminal Block	6 circuit
	23033	Terminal Block	9 circuit
11	00116	Terminal	Male
12	00234	Terminal and Housing Assembly	
13	36274	Harness Clip	
14	35521	Harness Clip	
15	00161	Ground Clip	
16	51291	Wire Clip	
17	504034	Wire Clip	
18	70210	Plastic Insulator	
19	00120	Right Angle	Flag Terminal
20	00220	Spade Terminal	Female - 1/4 inch
21	00119	Spade Terminal	Large Spade
22	00112	Spade Terminal	Small Spade
23	00113	Eyelet Terminal	1/4 Inch Ring
24	00110	Eyelet Terminal	Small Shank
25	21091	Connector	
26	29673	Double Connector	

* Add Letter To Designate Color. L – Almond W – White

Special Tools



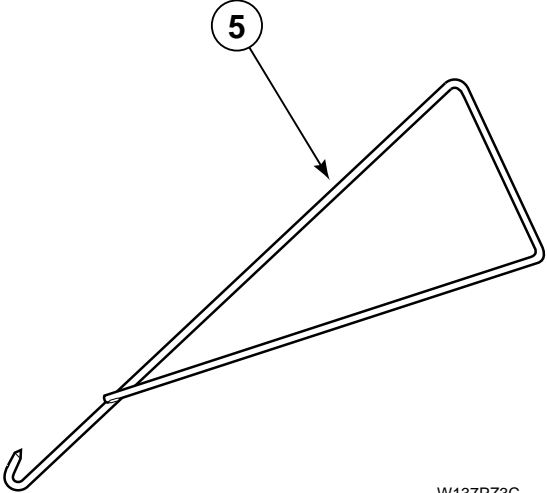
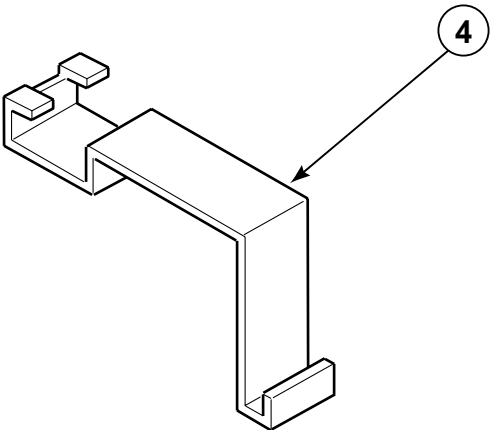
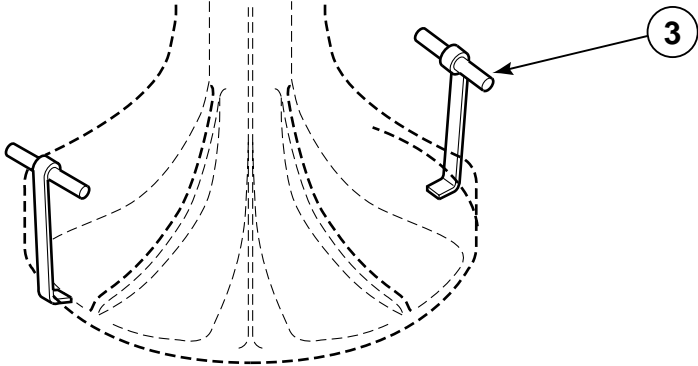
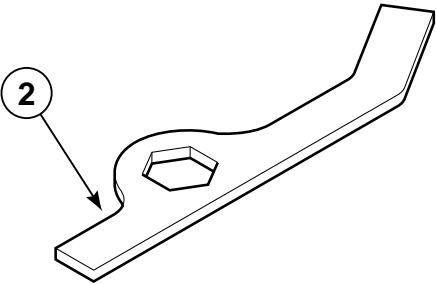
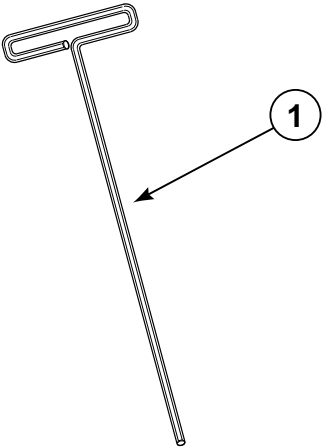
W399PZ3A

Special Tools

REF	PART #	DESCRIPTION	COMMENTS
1	294P4	Bell Tool	Replaces Bell Tool, Part No. 253P4. For removal and installation of drive bell to transmission shaft.
2	†294P4B	Drive Bell Bolt	
3	†294P4A	Drive Bell Arms	
4	24161	Torx Bit Holder	3/8" Drive
5	281P4	T15 Tamper Resistant Bit	For removal and installation of Control Hood Security Screws.
	282P4	T25 Tamper Resistant Bit	For removal and installation of Pump and Front Panel Attached Screws.
6	242P4	Brake Spring Installer	Use to install brake spring.
7	293P4	Seal Tool	For installation of 36425 Seal.

† Order these parts to update the 253P4 Bell Tool

Special Tools



W137PZ3C

Special Tools

REF	PART #	DESCRIPTION	COMMENTS
1	291P4	"T" Handle Allen Wrench	For removal and installation of three pump assembly attaching screws.
2	306P4	Hex Wrench	Use to remove Hex Locknut from Washtub Hub.
3	254P4P	Agitator Hooks	Use to remove Agitator from Drive Bell. Set of two.
4	273P4	Outer Tub Cover and Gasket Tool	Use to remove 36025P Outer Tub Cover from Outer Tub and to install 32857 Gasket in Outer Tub Cover.
5	321P4	Spring Hook	Use for removal and installation of centering springs on Outer Tub.

Wire Harnesses

Individual wires are not available separately. Order complete wire harness, or order wire by the foot. See chart below.

MODEL NUMBER	BASE WIRE HARNESS	TIMER WIRE HARNESS	HOOD WIRE HARNESS
EA2011*A	37573	28217	33804
EA2020*A	37573	34092	33805
EA2021*A	37573	34092	33805
EA2110*A	37573	29279	33757
EA2111*A	37573	29279	33757
EA2120*A	37573	29281	33758
EA2121*A	37573	29281	33758
EA2210*A	37573	29279	33757
EA2220*A	37573	29281	33758
EA2221*A	37573	29281	33758
EA2520*A	37573	34175	33758
EA2820*A	37573	36094	36093
EA2821*A	37573	36094	36093
EA2920*A	37573	36094	36093
EA2921*A	37573	36094	36093
EA3920*A	37573	37525	36093
EA3921*A	37573	37525	36093

* Add Letter To Designate Color. L – Almond W – White

Wires

Order the individual wire color and gauge by the part number listed below. Order wire by the foot and terminals and connectors as required. It is recommended when applying terminals to wires that the terminals be soldered to the wires.

IMPORTANT: Always replace wires with proper gauge.

PART NUMBER	WIRE GAUGE	WIRE COLOR
45001	18 Gauge Wire	Black
45380	12 Gauge Wire	Orange

Parts Index

A

Actuator Arm 33441	19
Agitator 33513	25
Agitator Hooks 254P4P	45
Agitator Pinion 27003	31
Amp Housing 34675	39
34676	39
Anti-Seize Compound 27604P	29

B

Backflow Preventer 34500	23
Balance Ring 34731	29
Base Assembly 36599P	35, 37
Base Wire Harness 37573	46
Bearing 28944R	35
Bearing Housing Assembly 27182	29
35746	35
Bell Tool 294P4	43
Belt 28808	21
Bolt 29651	7
Brace 35097	37
Bracket 35525	9
36036	37
36037	37
503017	11
†35525	7
Brake Assembly 38505P	35
Brake Pad Kit 548P3	35
Brake Spring Installer 242P4	43
Bumper 21685	17
32648	13, 15
Bumper Pad 36226	37
56128	37
Bushing 36474	17

C

Cabinet Assembly 34475*P	7, 9, 17, 23, 27, 37
Cabinet Top 36122*P	5, 7, 9, 11, 13, 15, 17, 19
36273*P	5, 7, 9, 11, 13, 15, 17, 19
Cap Screw 02916	5, 11, 13, 15
27202	25
36991	29
37047	29
Capacitor 37377	21
Capacitor Clamp 37535	21
Carriage Bolt 02505	5, 9
†02505	7
Centering Spring 35947	27
Circuit Board 37386P	11
Clip 28849	21
Clips 21036	27
Clothes Guard 32990	25
Clutch 29503	7
Coin Drop Assembly M412001	9
Coin Drop Front Plate 501364	9
Coin Funnel Kit †523P3	7
Connector 21091	41
Control and Shield 38188P	15
Control Hood 37075*	5, 11, 13, 15
Control Hood Rear Cover 38267	13
Control Hood Rear Panel 38267	15
Control Knob Assembly 35182	13
Control Panel Frame 36097*	15
36521	13
Control Panel Overlay 32460	13
32472	13
39096	15
Counter Kit 62113P	7

D

Director Bracket	
36034	17
Double Connector	
29673	41
Dowel Pin	
27172	31
Drain Hose	
28293	33
Drain Hose Elbow	
36990	33
Drive Bell and Seal Kit	
†39508P	25
Drive Bell Arms	
†294P4A	43
Drive Bell Bolt	
†294P4B	43
Drive Pinion	
36562	31

E

18 Gauge Wire	
45001	46
Eyelet Terminal	
00110	41
00113	41

F

Fill Hose	
35874	23
Flinger	
27187	29
Front Panel	
34656*P	37

G

Gasket	
26354	9
28094	25
32857	27
34338	17
35526	9
37526	11
39122	25
†35526	7
Grommet	
29175	27
Ground Clip	
00161	41
Guide Lug	
28102	37
56079	37

H

Harness Clip	
35521	41
36274	41
Helix	
27018	35
Hex Wrench	
306P4	45
Hinge	
27103	37
36437	17
36438	17
Hold-Down Clip	
35865	37
Hood Wire Harness	
33757	46
33758	46
33804	46
33805	46
36093	46
Hose Clamp	
20211	33
20391	33
29210	23
36801	23
36802	33
Hose Clip	
39177	33
Hose Coupler	
25863	33
Hose Support	
36522	33
Hose Washer	
20290	23
Hub and Seal Kit	
495P3	25

I

Idler Lever	
37443	21
Idler Lever Spring	
37606	21
Idler Pulley	
28800	21
Idler Shaft	
28802	21
Indicator Light	
32464	13
Indicator Light, In Use	
32466	13
Indicator Light, Rinse	
32464	13
Indicator Light, Unbalanced Load	
32463	13
Inlet Hose Assembly	
20617	23
20618	23
28330P	23
Input Shaft	
34853	31

Internal Gear 26577	31
------------------------------	----

K

Knurled Nut 24205	13
----------------------------	----

L

Leg Plate 27926	27
Leveling Leg 34319	37
Leveling Leg and Stabilizing Bar Assembly 34443	37
Lever 33442	19
Loading Door 39233*P	17
Locking Bracket 30642	7, 9, 11
Locking Rod 501365	9
Locknut 21899	37
28803	21
29220	25
29786	5, 9
52566	13, 15, 21
†29786	7
Lockwasher 02431	5, 11, 13, 15
03815	41
21456	31
21734	5
91093	5, 11, 13, 15
91176	13

M

Magnet 501453	9
Meter Case 38542*P	9, 15
524P3*	7, 13
Meter Case Gasket †26354	7
Mixing Valve Assembly 34963	23
Mixing Valve Mounting Bracket 39407	23
Molex Housing 32746	41
34123	41
34677	39
Molex Terminal 00188	39, 41
Motor Assembly 38034	21
38035	21

Motor Mount 34788	21
Motor Mount Post 34791	21
Motor Mounting Bracket 37415	21
Motor Pulley 27171	21
Motor Shield 34754	21
Motor Switch 35632	21
Mounting Bracket 35867	37

N

Nut 03673	41
29796	7
35423	21
52566	5, 11

O

“O” Ring *36472	25
Outer Tub 34439P	27, 29, 33
Outer Tub Cover 36025P	23
Outer Tub Cover and Gasket Tool 273P4	45
Outer Tub Cover Assembly 36025P	27
Output Shaft 36570	31
Overlay 37589	11

P

Pivot Dome 34470	35
Plastic Insulator 70210	41
Plug 34153	17
*36511	25
Power Cord 39404	41
39405	41
Pressure Bulb 30907	27
Pressure Hose 39124	27
39125	27
Pressure Switch 35889	13, 15, 27
Pulley Assembly 34923	35

Pump Assembly 36863P	21, 33
Pump-to-Elbow Hose 34581	33
Push-to-Start Sticker 53738	5

R

Rack 31526	31
Reduction Gear 29161	31
Retainer Nut 27222	29
30647	7, 9, 11
†27222	17
Retainer Ring 23748	21
27197	31
Right Angle 00120	41
Rivet 56534	17
Roll Pin 23750	21
Rubber Foot 34318	37

S

Screw	
20267	41
21720	7
23222	13, 15
23962	5, 11, 13, 15, 19, 23, 37
27196	37
27220	35
27328	5
29273	31
32671	37
32814	31
33562	23
34337	17
34499	37
34565	21
35148	37
35369	27, 35
35527	37
35528	13, 15
36035	17
36048	7, 9, 11
36510	19
36639	21
500226	13, 15
501524	15
503661	21
503673	7, 9, 11
51778	5
52909	11, 17, 21, 33
80399	5
†503673	17
Screw and Lockwasher 23008	17

Seal †36425	25
Seal Tool 293P4	43
Sealant 37577P	31
Security Case 37751*	11, 15
Service Door 35798*	7, 9, 11
Setscrew 20310	13
Shoulder Bolt 27229	21
Shoulder Screw 29277	7
†39432	25
Silicone Lubricant 26594P	35
Siphon Break Kit 562P3	33
Slide 26493	31
Snubber Pad and Isolator Assembly 36108	37
Spade Terminal 00112	41
00119	41
00121	39
00220	41
Special Screw 27030	31
Speed Nut 36020	17
Speed Switch 27762	13
Splined Insert *29728	25
Spring 33435	35
33443	19
Spring Hook 321P4	45
Sticker 24903	17
500049	27
Strain Relief 21903	17
Support 501523	11
Support Leg 34792	27, 35
Switch 33445	19
33527	19
34599	9
62872	9
Switch Holder Kit 36497P	19

T

“T” Handle Allen Wrench	
291P4.....	45
Terminal	
00116.....	41
00117.....	41
Terminal and Housing Assembly	
00234.....	41
Terminal Block	
23033.....	41
23041.....	41
26163.....	41
26301.....	41
26302.....	41
26708.....	41
Terminal Extractor Tool	
283P4.....	39
Timer Assembly	
28716.....	5
31111P.....	7
34601P.....	7
34602.....	7
Timer Bracket	
35249.....	7
Timer Case	
37733W.....	5, 13
Timer Knob Assembly	
26256.....	5
Timer Plate	
31864W.....	5
Timer Wire Harness	
28217.....	46
29279.....	46
29281.....	46
34092.....	46
34175.....	46
36094.....	46
37525.....	46
Torx Bit Holder	
24161.....	43
Transmission Assembly	
34526P.....	29
Transmission Case Assembly	
33223.....	31
Transmission Cover Assembly	
38290.....	31
Transmission Oil	
27243P.....	31
Tub-to-Pump Hose	
35752.....	33
12 Gauge Wire	
45380.....	46
T15 Tamper Resistant Bit	
281P4.....	43
T25 Tamper Resistant Bit	
282P4.....	43

W

Wash Temperature Switch	
81799.....	13

Washer	
23225.....	5
26509.....	31, 35
27015.....	35
29260.....	31
29443.....	21
30627.....	5
35092.....	31
35535.....	35
35774.....	7, 9, 11
35917.....	7, 9, 11
52549.....	21
81392.....	21
†35774.....	17
†35917.....	17
Washtub	
38668P.....	25
39387P.....	25
Wire Clip	
504034.....	41
51291.....	41
Wire Connector	
M400149.....	11
Wire Tie	
55881.....	41