

Home Automatic Washers

“CE” Approved Models
Refer to Page 3 for Model Numbers

Table of Contents

Title	Page
Parts Ordering Information	2
Nameplate Location	2
Model Identification	3
Graphic Panel, Control Hood and Controls	4
Graphic Panel, Control Hood and Controls	6
Cabinet Top, Loading Door, Lid Lock and Shield	8
Out-of-Balance Switch	10
Motor, Mounting Bracket, Belt, Pump and Idler Assembly	12
Contactors Box, Relays, Transformer and Fuse Holders	14
Fuse Holders and Bracket	16
Inlet Hose, Fill Hose and Mixing Valve Mounting Bracket	18
37061 Mixing Valve Assembly	20
Agitator, Drive Bell and Seal Kit, Washtub and Hub	22
Outer Tub, Cover and Pressure Hose	24
Transmission Assembly and Balance Ring	26
34526P Transmission Assembly	28
Drain Hose and Siphon Break Kit	30
Bearing Housing, Brake, Pulley and Pivot Dome	32
Front Panel, Base Assembly and Cabinet Assembly	34
Mixing Valve and Motor Connection Blocks, Terminals and Terminal Extractor Tool	36
Power Cord and Terminals	38
Special Tools	40
Special Tools	42
Wire Harnesses and Wires	44
Parts Index	45

© Copyright 2000, Alliance Laundry Systems LLC

All rights reserved. No part of the contents of this book may be reproduced or transmitted in any form or by any means without the expressed written consent of the publisher.

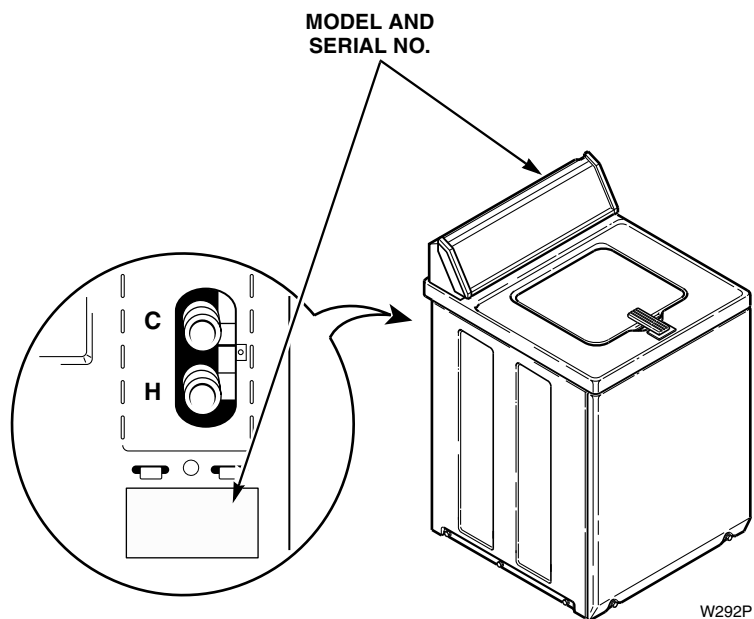
Parts Ordering Information

If literature or replacement parts are required, contact the source from whom the machine was purchased or contact Alliance Laundry Systems at (920) 748-3950 for the name and address of the nearest authorized parts distributor.

For technical assistance, call (920) 748-3121.

Nameplate Location

When calling or writing about your product, be sure to mention model and serial numbers. Model and serial numbers are located on nameplate(s) as shown.



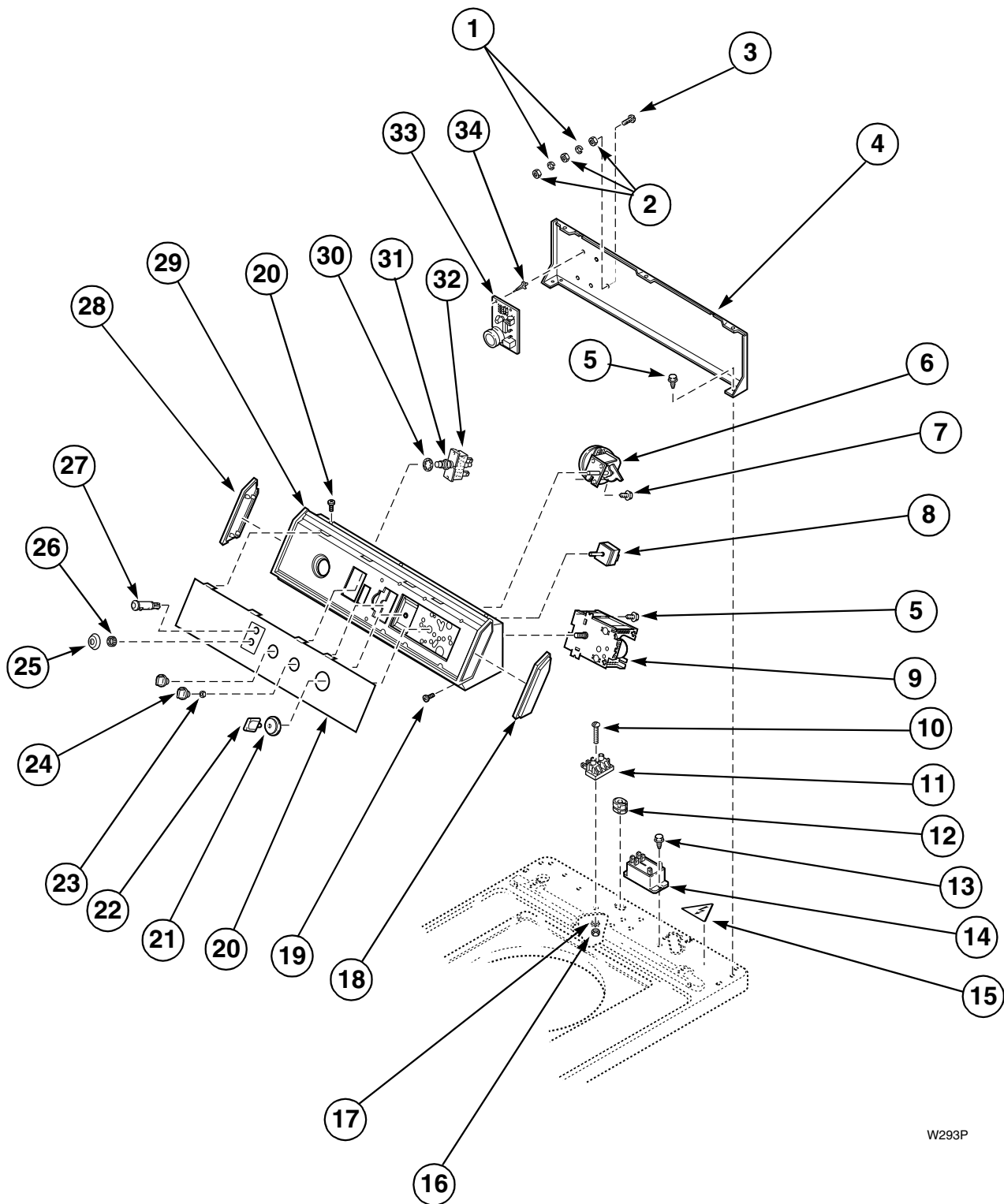
Model Identification

Information in this manual is applicable to these washers:

Model Number	One-Speed Motor	Porcelain Washtub (Cu. Ft.)	Stainless Steel Washtub (Cu. Ft.)
AWC393L23059	X	—	3.0
AWC393W23059	X	—	3.0
NWC393W-3059	X	—	3.0
ZWC372W-3059	X	3.0	—
ZWC373L-3059	X	—	3.0
ZWC373W-3059	X	—	3.0

Graphic Panel, Control Hood and Controls

Models AWC393*23059, and NWC393*-3059



W293P

* Add Letter To Designate Color. L – Almond W – White

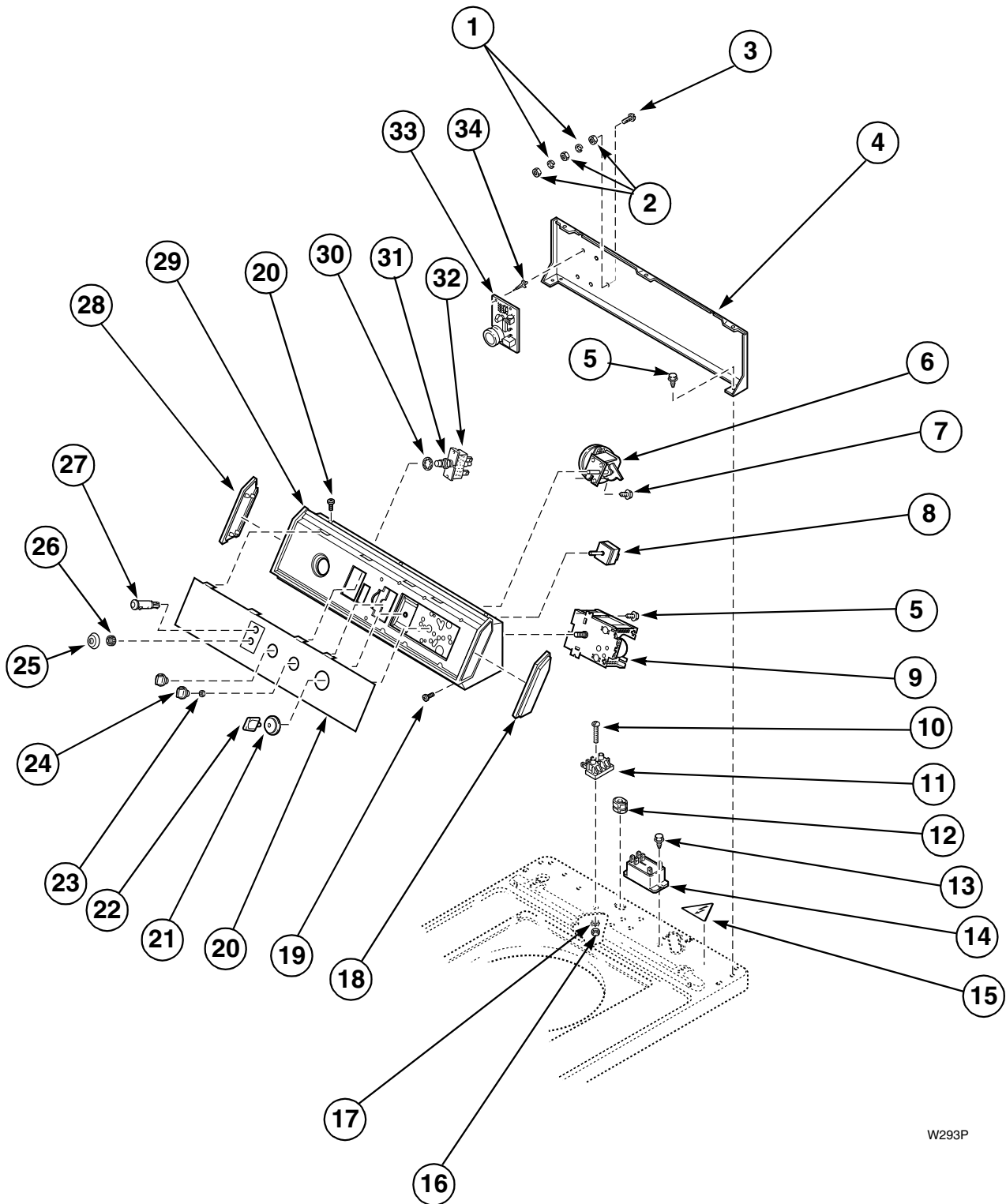
Graphic Panel, Control Hood and Controls

Models AWC393*23059, and NWC393*-3059

REF	PART #	DESCRIPTION	COMMENTS
1	28449	Lockwasher	
2	28447	Nut	
3	28448	Screw	
4	34903	Control Hood Rear Panel	
5	23962	Screw	
6	36045	Pressure Switch	
7	31260	Screw	
8	21300	Temperature Switch	Through Serial No. 9511021616
	35115	Temperature Switch	Starting Serial No. 9511021617
9	36989	Timer	
10	Q6516	Screw	
11	36841	Terminal Block	
12	36957	Strain Relief	
13	501086	Screw	
14	502501	Relay	
15	502511	Sticker	
16	02788	Nut	
17	21734	Lockwasher	
18	31248	End Cap	Right
19	31752	Screw	
20	36954	Graphic Panel	Model AWC393*23059
	36975	Graphic Panel	Model NWC393*-3059
21	33817	Timer Knob Skirt	
22	33897	Timer Knob	
23	57584	Nut	Use with 21300 Switch
24	33610	Control Knob	
25	57327	Switch Collar	
26	24206	Knurled Nut	
27	36968	Indicator Light	
28	31249	End Cap	Left
29	31811	Control Hood Assembly	Through Serial No. 9511021616
	37844	Control Hood Assembly	Starting Serial No. 9511021617
30	25820	Lockwasher	
31	52947	Nut	
32	55882	Push-To-Start Switch	
33	37269	Lid Lock Control	
34	501523	Support	

Graphic Panel, Control Hood and Controls

Models ZWC372*-3059 and ZWC373*-3059



W293P

* Add Letter To Designate Color. L – Almond W – White

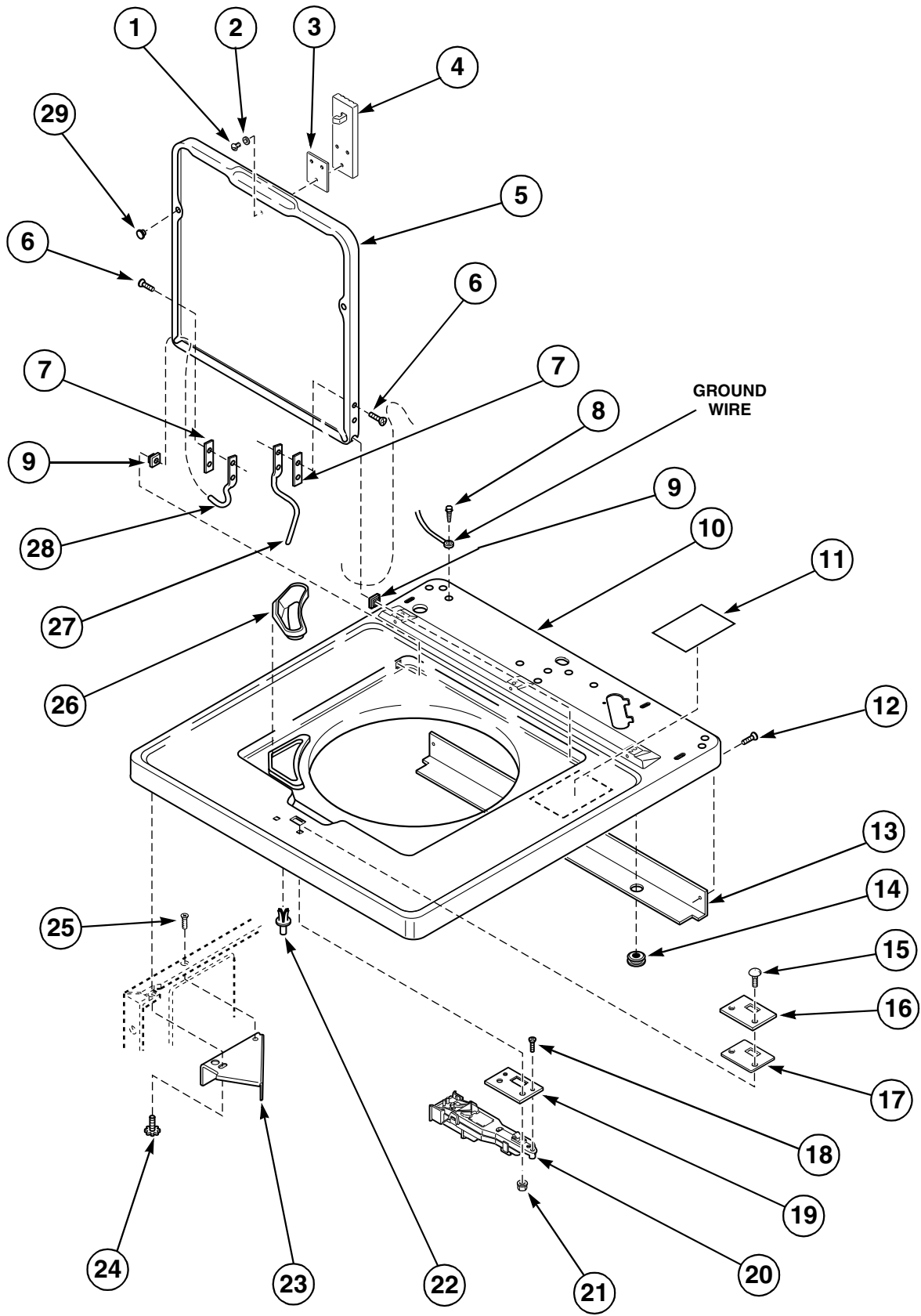
Graphic Panel, Control Hood and Controls

Models ZWC372*-3059 and ZWC373*-3059

REF	PART #	DESCRIPTION	COMMENTS
1	28449	Lockwasher	
2	28447	Nut	
3	28448	Screw	
4	34903	Control Hood Rear Panel	
5	23962	Screw	
6	36045	Pressure Switch	
7	31260	Screw	
8	21300	Temperature Switch	Through Serial No. 9511021616
	35115	Temperature Switch	Starting Serial No. 9511021617
9	36989	Timer	
10	Q6516	Screw	
11	36841	Terminal Block	
12	36957	Strain Relief	
13	501086	Screw	
14	502501	Relay	
15	502511	Sticker	
16	02788	Nut	
17	21734	Lockwasher	
18	31248	End Cap	Right
19	32993	Screw	
20	36974	Graphic Panel	
21	33818	Timer Knob Skirt	
22	33898	Timer Knob	
23	57584	Nut	Use with 21300 Switch
24	33688	Control Knob	
25	57327	Switch Collar	
26	24206	Knurled Nut	
27	36968	Indicator Light	
28	31249	End Cap	Left
29	36295	Control Hood Assembly	Through Serial No. 9511021616
	37845	Control Hood Assembly	Starting Serial No. 9511021617
30	25820	Lockwasher	
31	52947	Nut	
32	55882	Push-To-Start Switch	
33	37269	Lid Lock Control	
34	501523	Support	

* Add Letter to Designate Color. L - Almond W - White

Cabinet Top, Loading Door, Lid Lock and Shield



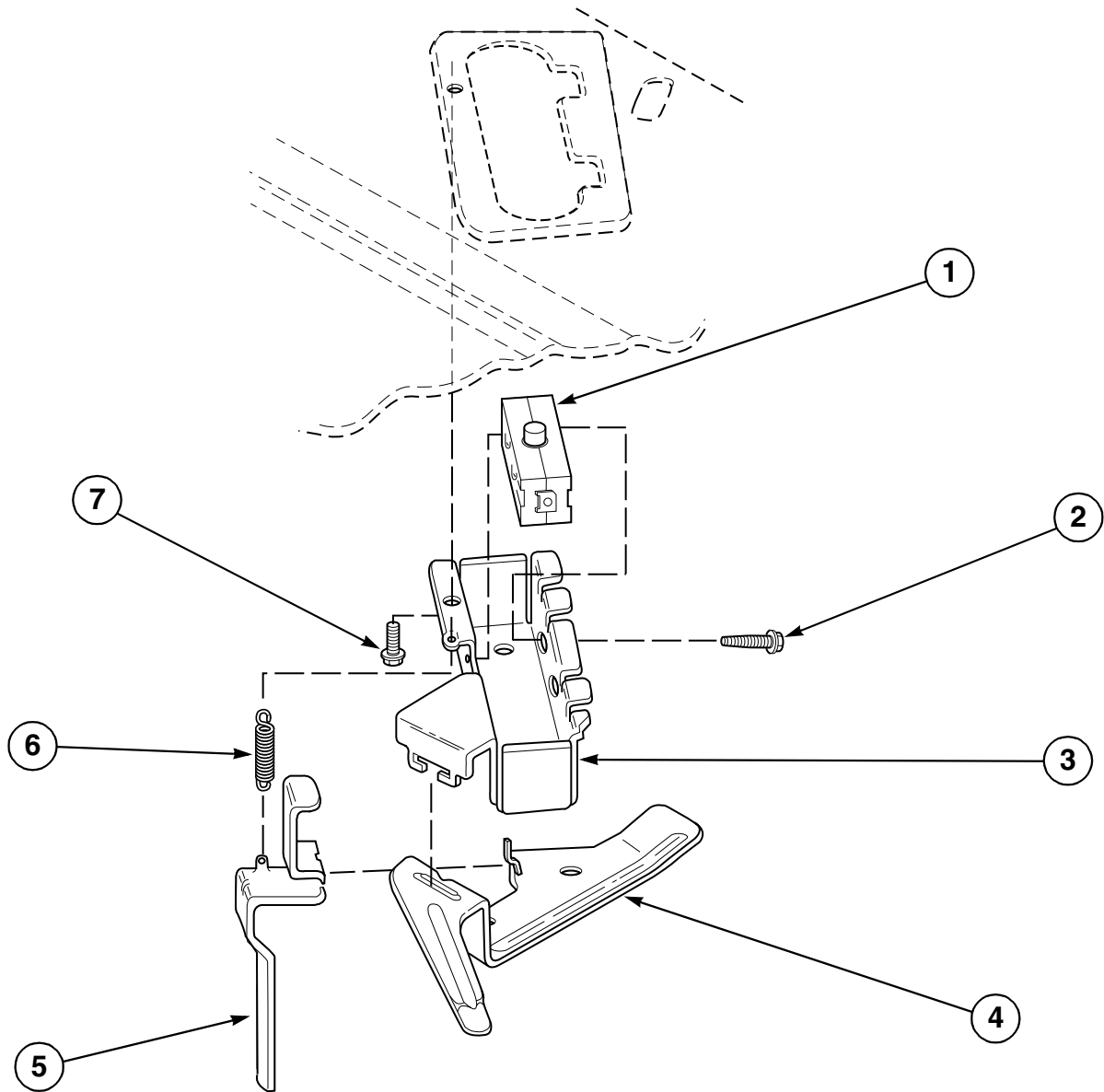
W294P

Cabinet Top, Loading Door, Lid Lock and Shield

REF	PART #	DESCRIPTION	COMMENTS
1	Q6695	Screw	
2	21643	Washer	
3	29677	Gasket	
4	29674	Latch	
5	33552*	Loading Door	
6	34337	Screw	
7	34338	Gasket	Through Serial No. 9511056682
8	52909	Screw	
9	33446	Bushing	
10	37071*	Cabinet Top	
11	36592	Sticker	
12	35527	Screw	Refer to Page 41 for Torx Bit and Holder
13	34228	Shield	
14	80262	Grommet	
15	32184	Screw	
16	37828	Cover Plate	
17	30378	Gasket	
18	22649	Screw	
19	29676	Plate	
20	29678	Lid Lock	
21	22001	Nut	
22	56534	Support	
23	36034	Director Bracket	
24	31644	Screw	
25	36035	Screw	
26	34776	Bleach Dispenser	
27	36437	Hinge	Right
28	36438	Hinge	Left
29	21685	Bumper	

* Add Letter to Designate Color. L - Almond W - White

Out-of-Balance Switch



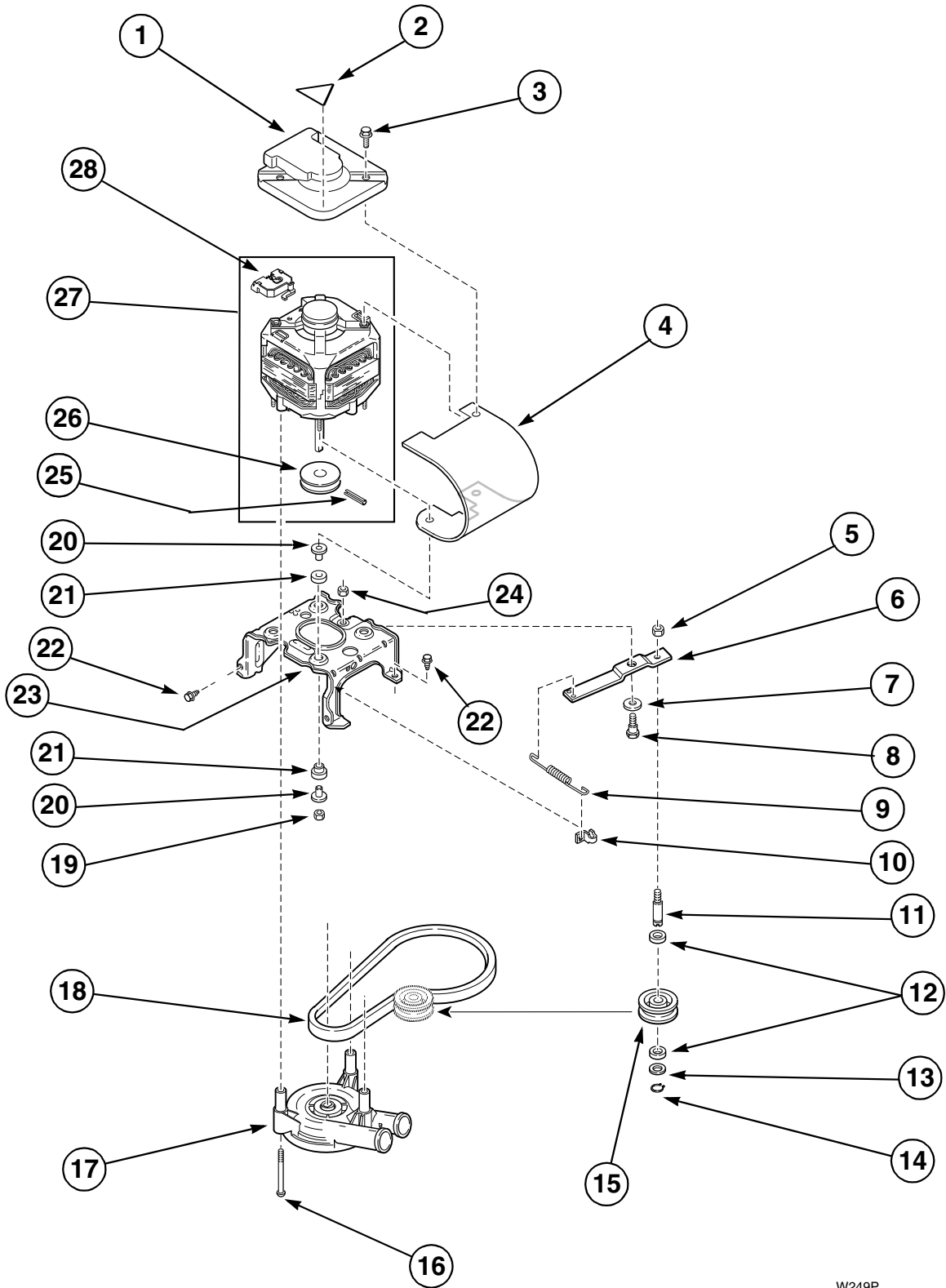
W295P

* Add Letter To Designate Color. L – Almond W – White

Out-of-Balance Switch

REF	PART #	DESCRIPTION	COMMENTS
1	33445	Switch	
2	36510	Screw	
3	36497P	Switch Holder Kit	Includes two 36510 screws
4	33441	Actuator Arm	
5	33442	Lever	
6	33443	Spring	
7	23962	Screw	

Motor, Mounting Bracket, Belt, Pump and Idler Assembly

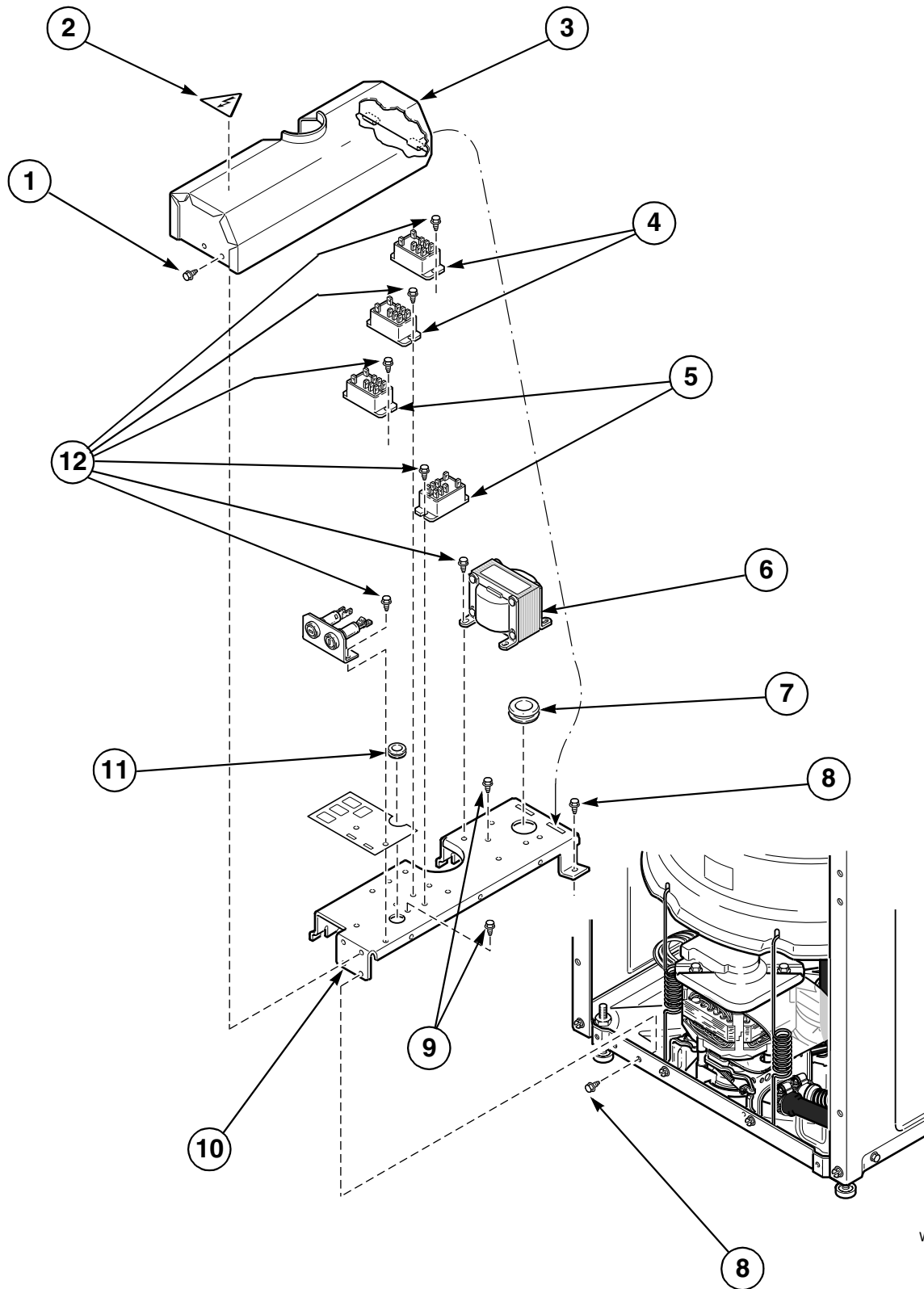


W249P

Motor, Mounting Bracket, Belt, Pump and Idler Assembly

REF	PART #	DESCRIPTION	COMMENTS
1	34754	Motor Shield	
2	502506	Sticker	
3	36639	Screw	
4	36965	Motor Shield	
5	28803	Locknut	
6	37443	Idler Lever	
7	81392	Washer	
8	27229	Shoulder Bolt	
9	37606	Idler Lever Spring	
10	28849	Clip	
11	28802	Idler Shaft	
12	29443	Washer	Felt
13	52549	Washer	Nylatron
14	23748	Retainer Ring	
15	28800	Idler Pulley	
16	34565	Screw	
17	36863P	Pump Assembly	
18	35517	Belt	Agitate and Spin; 50 Hertz
19	35423	Nut	
20	34791	Motor Mount Post	
21	34788	Motor Mount	Rubber
22	31645	Screw	
23	37415	Mounting Bracket	
24	52566	Locknut	
25	23750	Roll Pin	
26	27171	Motor Pulley	
27	37058	Motor Assembly	One speed; 230 Volt; 50/60 Hertz
28	35632	Motor Switch	

Contactor Box, Relays, Transformer and Fuse Holders

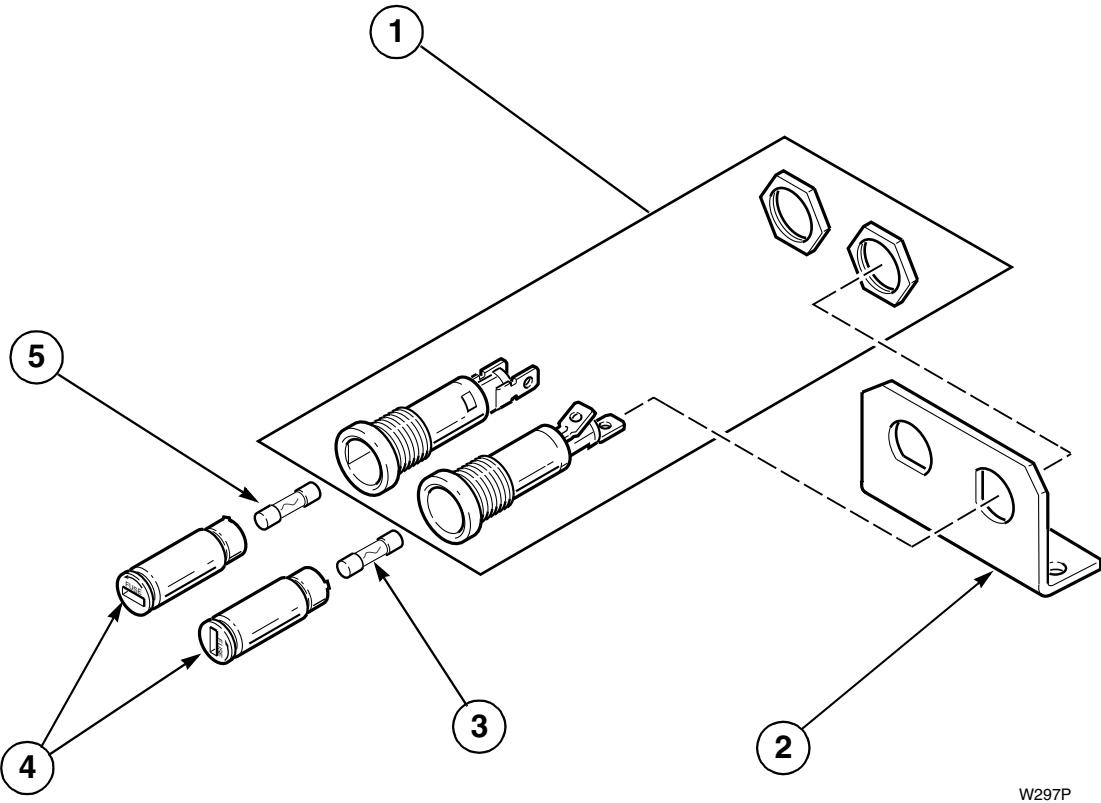


W296P

Contactor Box, Relays, Transformer and Fuse Holders

REF	PART #	DESCRIPTION	COMMENTS
1	51784	Screw	
2	502511	Sticker	
3	37147	Contactor Box Cover	
4	502501	Relay	Normally open
5	37055	Relay	Normally open/Normally closed
6	M412477	Transformer	
7	37295	Grommet	
8	31645	Screw	
9	20530	Screw	Ground
10	37214	Contactor Box Base	
11	80262	Grommet	
12	501086	Screw	

Fuse Holders and Bracket

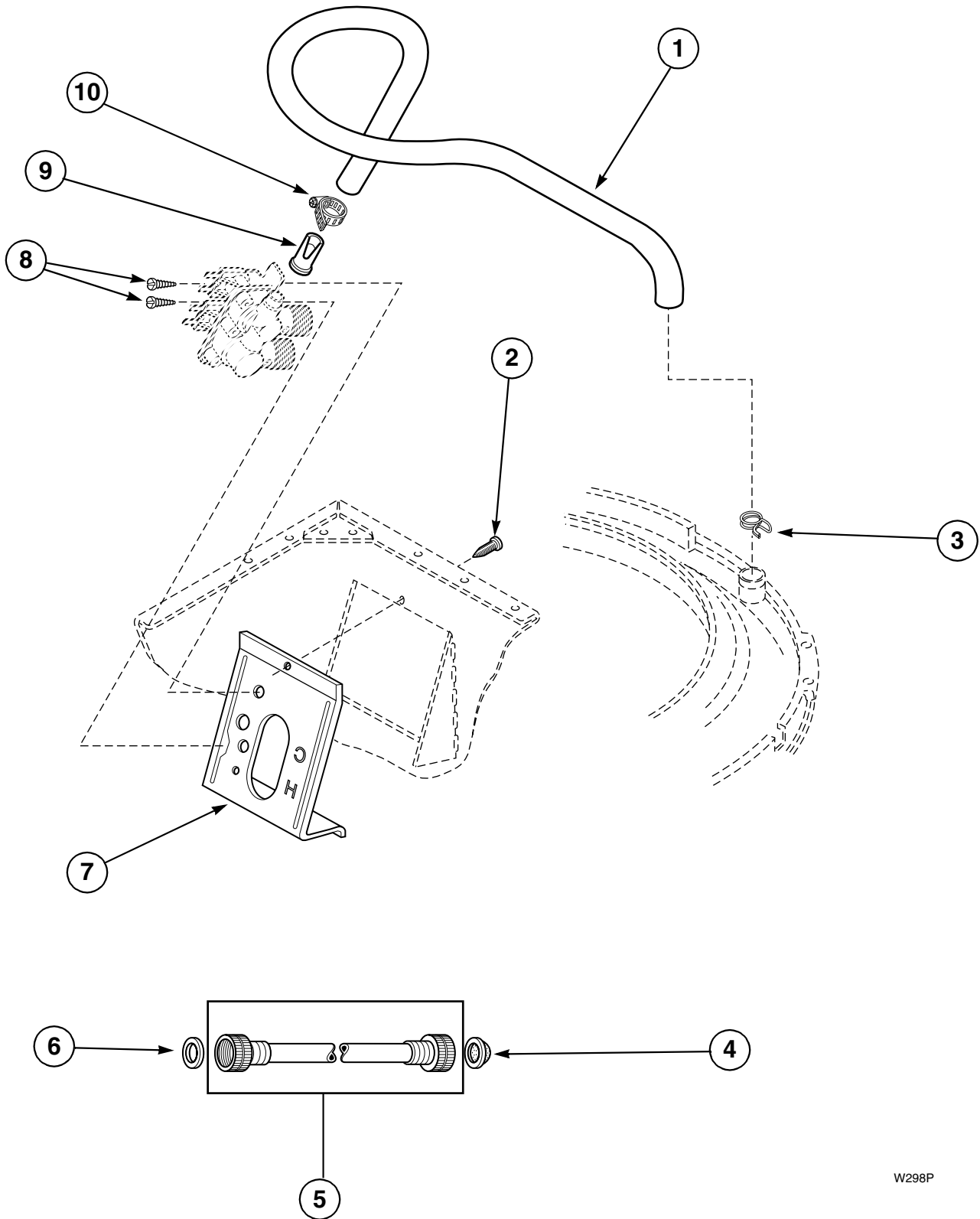


W297P

Fuse Holders and Bracket

REF	PART #	DESCRIPTION	COMMENTS
1	502591	Fuse Holder Body	
2	502589	Bracket	
3	502592	Fuse	Secondary; 3.15 Amp
4	502811	Fuse Holder Cap	
5	502593	Fuse	Primary; 400 MA

Inlet Hose, Fill Hose and Mixing Valve Mounting Bracket

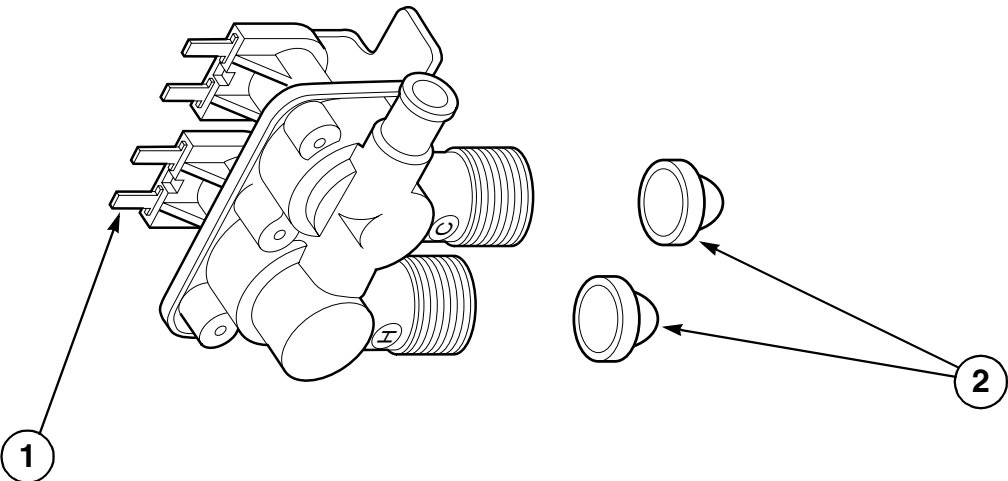


W298P

Inlet Hose, Fill Hose and Mixing Valve Mounting Bracket

REF	PART #	DESCRIPTION	COMMENTS
1	35874	Fill Hose	
2	33562	Screw	
3	29210	Hose Clamp	Gold
4	28605	Filter Washer	
5	33171P	Inlet Hose Assembly	Four foot; Hoses are equipped with one metric hose coupling and one standard hose coupling
	37380	Inlet Hose Assembly	Eight foot; Hoses are equipped with one metric hose coupling and one standard hose coupling
	37381	Inlet Hose Assembly	Ten foot; Hoses are equipped with one metric hose coupling and one standard hose coupling
6	20290	Hose Washer	
7	34972	Mixing Valve Mounting Bracket	
8	501086	Screw	
9	34500	Backflow Preventer	
10	36801	Hose Clamp	

37061 Mixing Valve Assembly

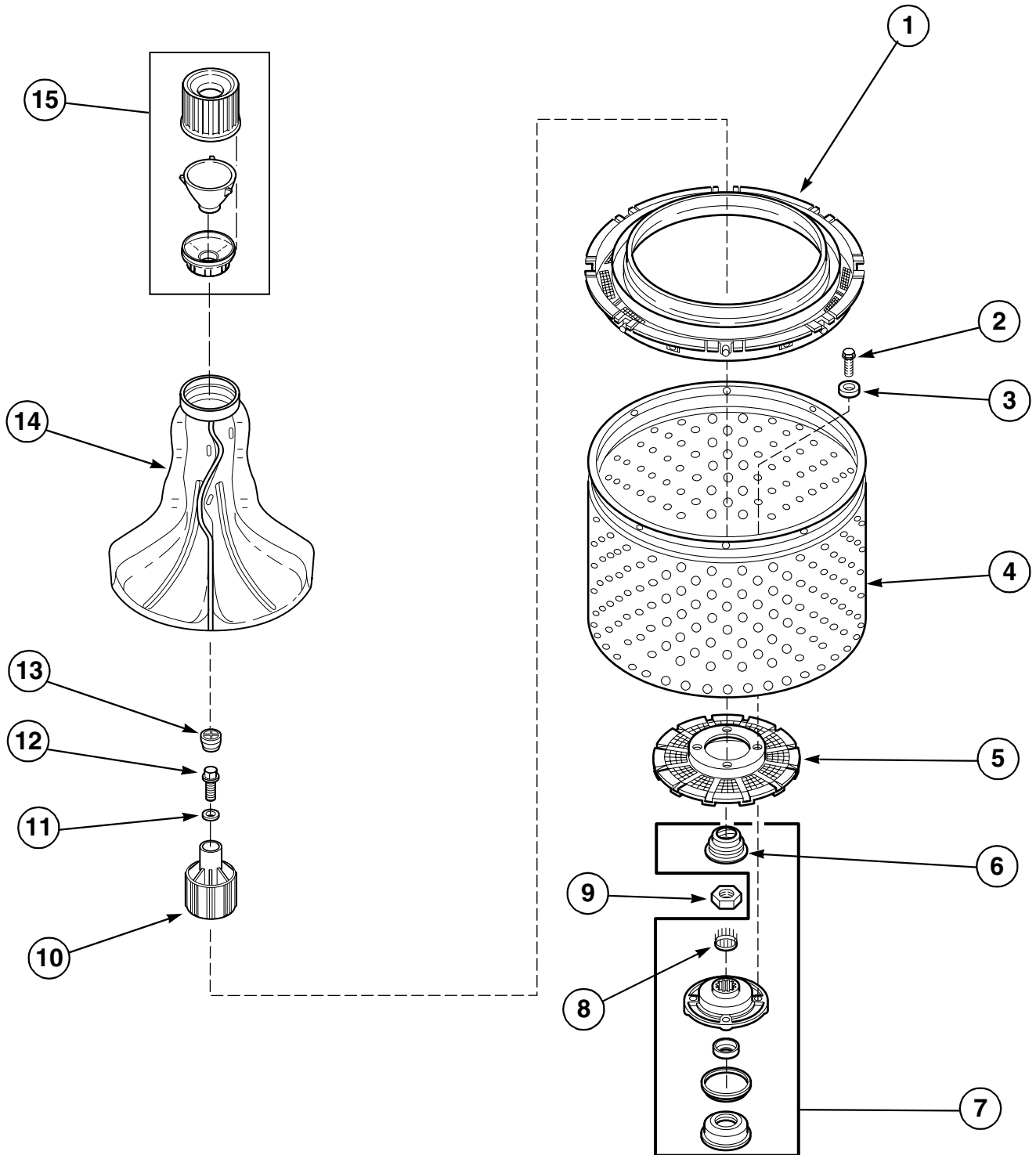


W284P

37061 Mixing Valve Assembly

REF	PART #	DESCRIPTION	COMMENTS
1	37061	Mixing Valve Assembly	
2	24122	Inlet Screen	

Agitator, Drive Bell and Seal Kit, Washtub and Hub

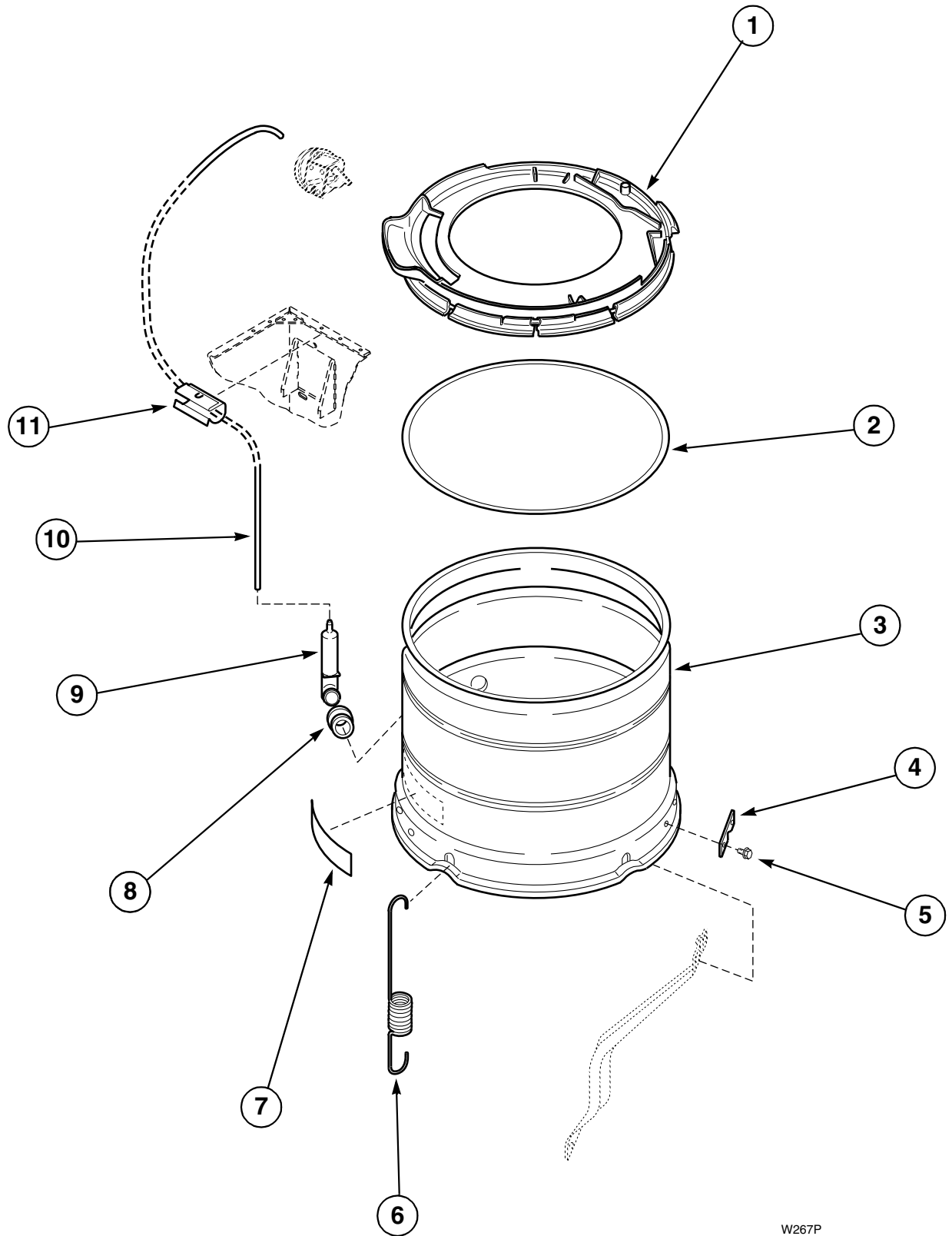


W299P

Agitator, Drive Bell and Seal Kit, Washtub and Hub

REF	PART #	DESCRIPTION	COMMENTS
	36443P	Drive Bell and Seal Kit	Includes items 6, 10, 11, 12 and 13
1	35035	Clothes Guard	
2	27202	Cap Screw	
3	28094	Gasket	
4	33503P	Washtub	Model ZWC372*-3059; White porcelain
	33510P	Washtub	All other models; Stainless steel
5	32998	Lint Filter	
6	36425	Seal	
7	495P3A	Hub and Seal Kit	Includes 32857 Cover Gasket and 36443P Drive Bell and Seal Kit; Does not include 27615P Sealant
8	29728	Splined Insert	
9	29220	Locknut	
10	39508P	Drive Bell	
11	36472	"O" Ring	
12	36511	Plug	
13	34288	Shoulder Screw	
14	33174	Agitator	
15	36542	Fabric Softener Dispenser	

Outer Tub, Cover and Pressure Hose

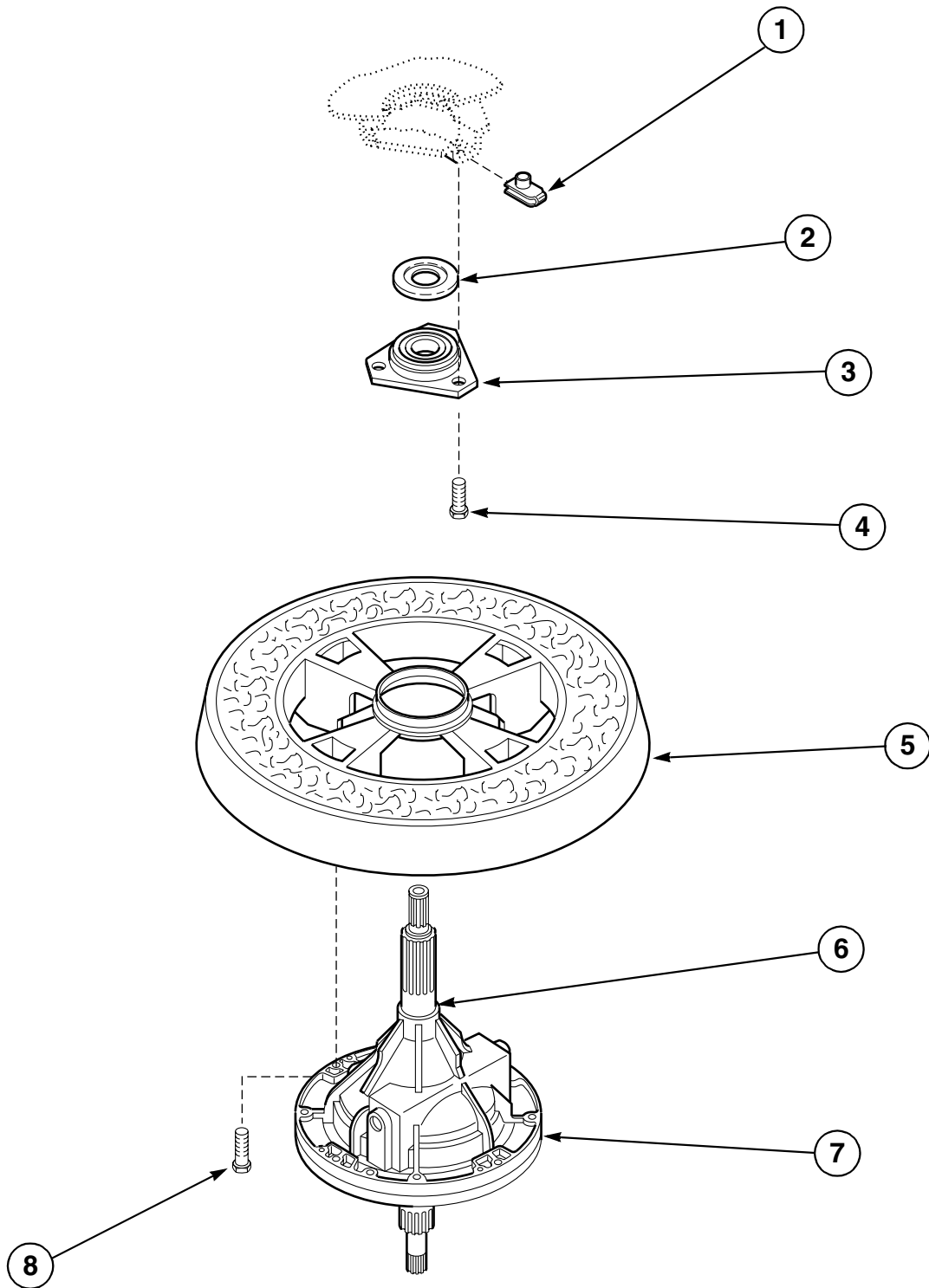


W267P

Outer Tub, Cover and Pressure Hose

REF	PART #	DESCRIPTION	COMMENTS
1	36025P	Outer Tub Cover Assembly	Includes 32857 Gasket
2	32857	Gasket	
3	34438P	Outer Tub	
4	27926	Leg Plate	
5	35369	Screw	
6	35948	Centering Spring	
7	500049	Sticker	
8	29175	Grommet	
9	30907	Pressure Bulb	
10	29213	Pressure Hose	
11	36985	Clip	

Transmission Assembly and Balance Ring

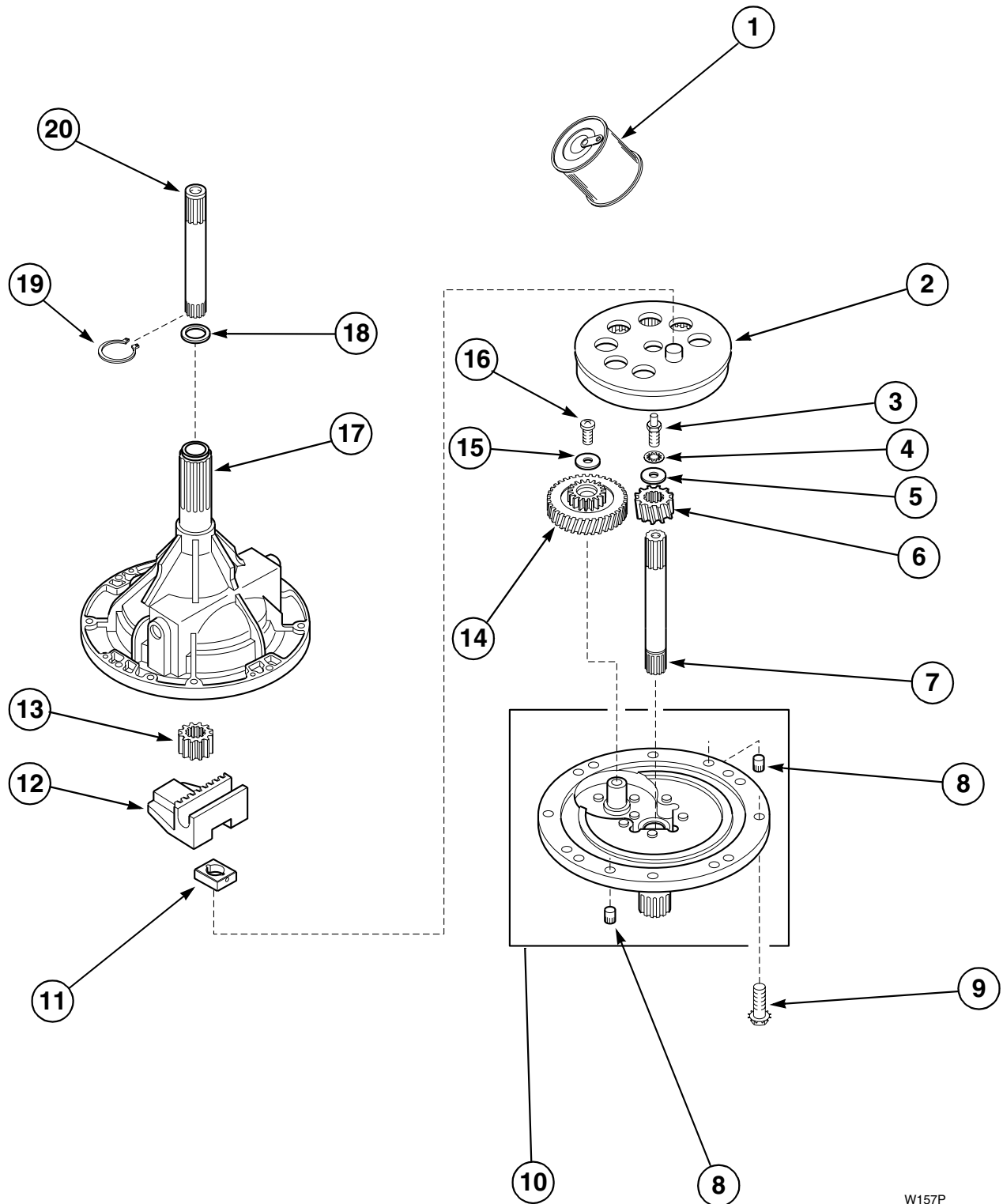


W234P

Transmission Assembly and Balance Ring

REF	PART #	DESCRIPTION	COMMENTS
1	27222	Retainer Nut	
2	27187	Flinger	Through Serial No. 9510053575
3	27182	Bearing Housing Assembly	
4	36991	Cap Screw	
5	34731	Balance Ring	
6	27604P	Anti-Seize Compound	Apply to this area of both the upper and lower transmission tubes
7	34526P	Transmission Assembly	See page 29 for component parts
8	37047	Cap Screw	

34526P Transmission Assembly

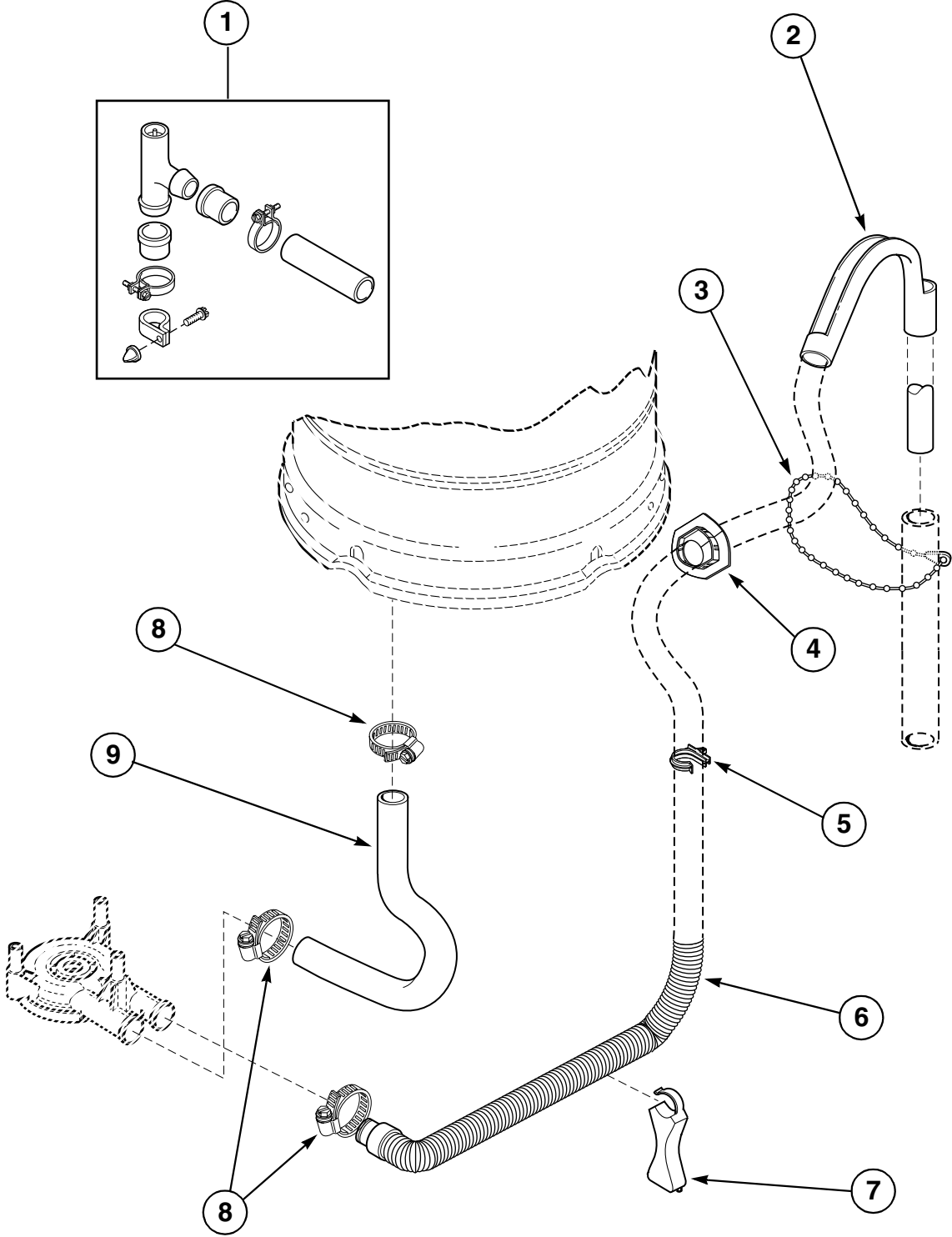


W157P

34526P Transmission Assembly

REF	PART #	DESCRIPTION	COMMENTS
	37577P	Sealant	Use between transmission case and cover
1	27243P	Transmission Oil	1 fill
2	26577	Internal Gear	
3	27030	Special Screw	
4	21456	Lockwasher	
5	26509	Washer	
6	36562	Drive Pinion	
7	34853	Input Shaft	
8	27172	Dowel Pin	Through Serial No. 9604069377
9	32814	Screw	
10	38290	Transmission Cover Assembly	
11	26493	Slide	
12	31526	Rack	
13	27003	Agitator Pinion	
14	29161	Reduction Gear	
15	29260	Washer	
16	29273	Screw	
17	33223	Transmission Case Assembly	
18	35092	Washer	
19	27197	Retainer Ring	
20	36570	Output Shaft	

Drain Hose and Siphon Break Kit

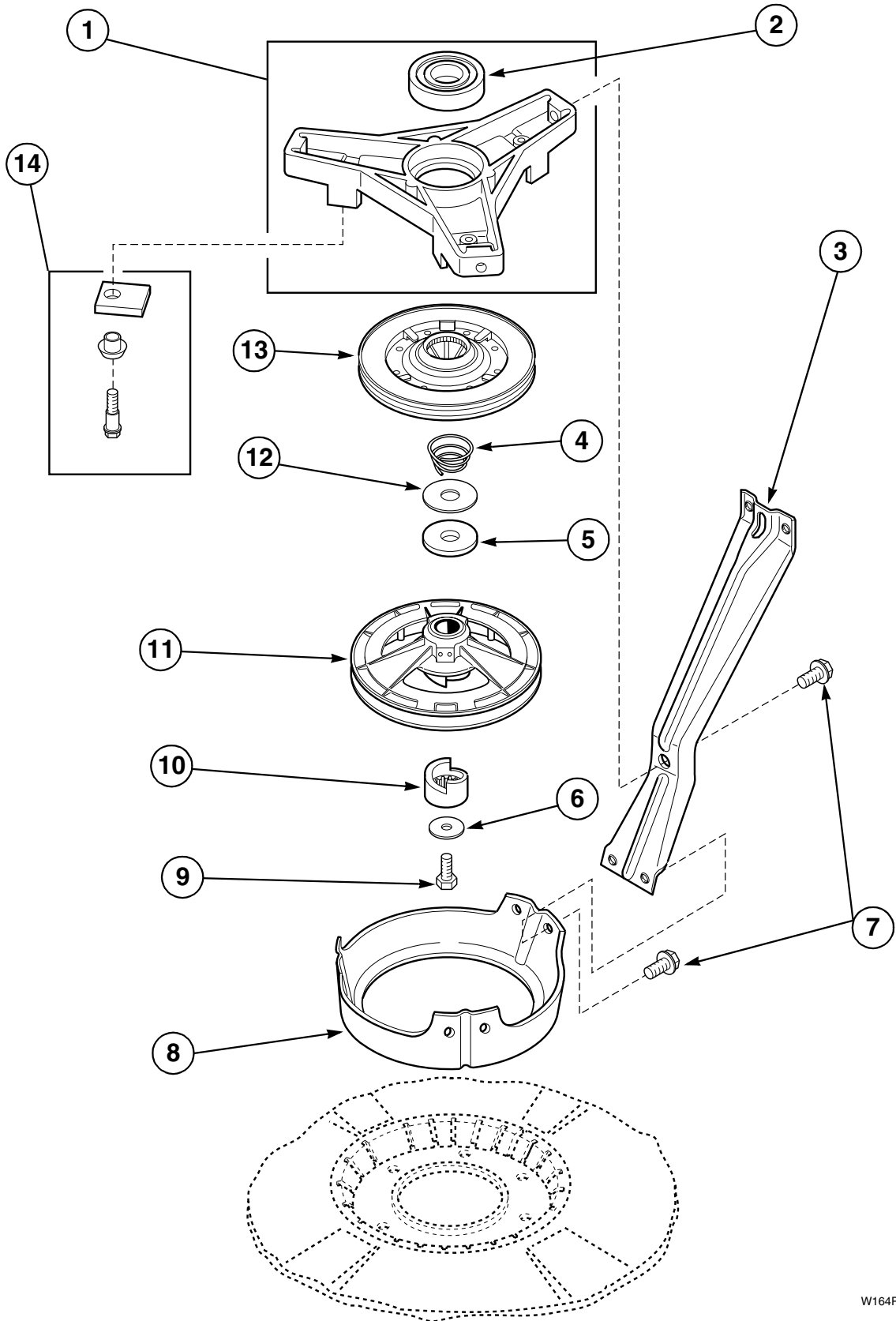


W260P

Drain Hose and Siphon Break Kit

REF	PART #	DESCRIPTION	COMMENTS
	406P3	Drain Extension Kit	Use with No. 20616 Drain Hose; Order by the foot, as required
1	562P3	Siphon Break Kit	Siphon break kit MUST be installed in drain hose if drain receptacle is lower than cabinet top of washer
2	33615	Drain Hose Sleeve	
3	33489	Beaded Tie Down Strap	
4	32219	Drain Hose Strain Relief	
5	36014	Hose Retainer Clip	
6	37246	Drain Hose	
7	36522	Hose Support	
8	36802	Hose Clamp	
9	35753	Tub-To-Pump Hose	

Bearing Housing, Brake, Pulley and Pivot Dome

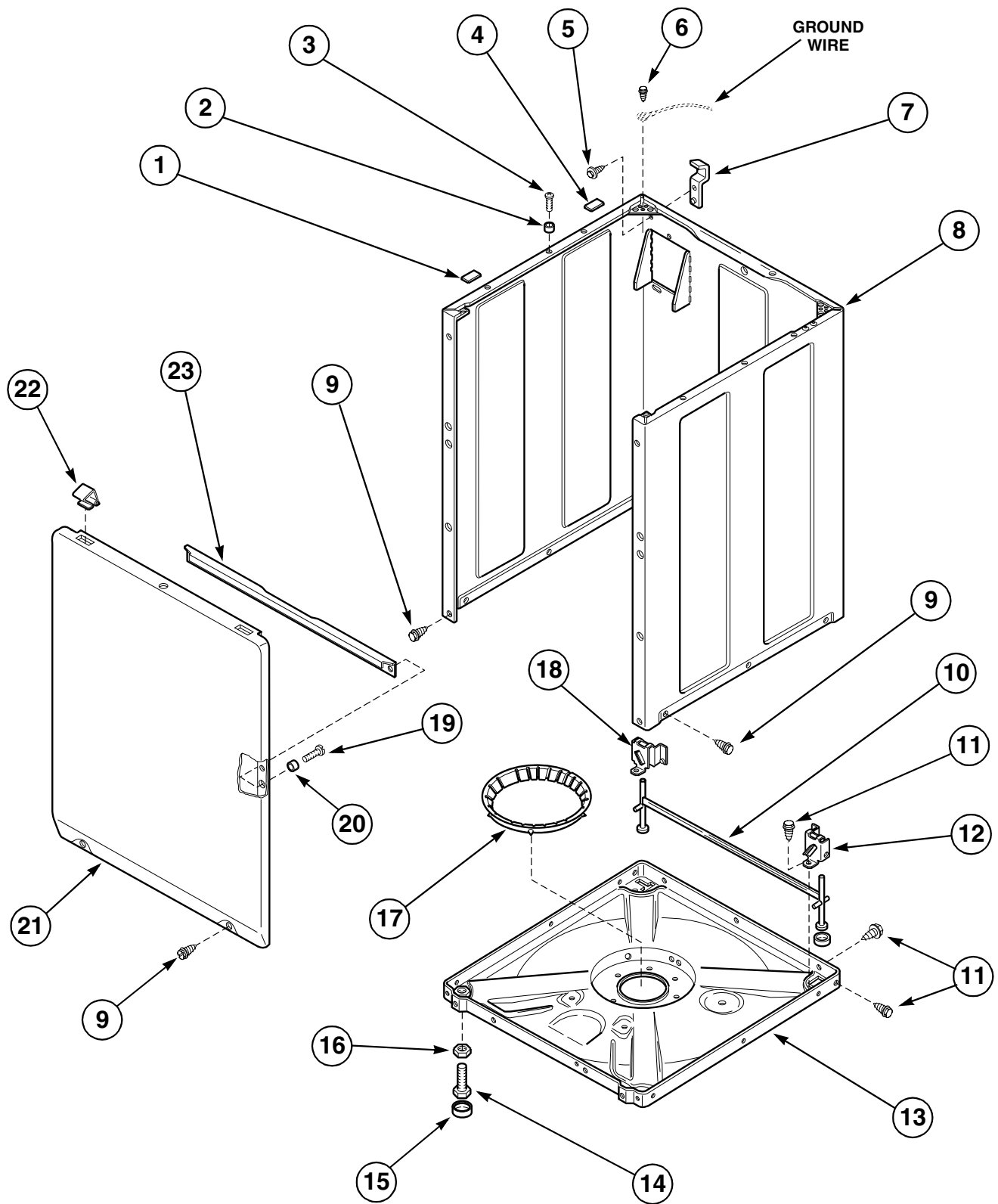


W164P

Bearing Housing, Brake, Pulley and Pivot Dome

REF	PART #	DESCRIPTION	COMMENTS
	26594P	Silicone Lubricant	Apply small amount to each new brake pad
1	35746	Bearing Housing Assembly	
2	28944R	Bearing	
3	34471	Support Leg	
4	33435	Spring	Through Serial No. 9606029040
5	27015	Washer	Thick
6	26509	Washer	
7	35369	Screw	
8	34470	Pivot Dome	
9	27220	Screw	
10	27018	Helix	
11	35308	Pulley Assembly	
12	35535	Washer	Thin
13	31961P	Brake Assembly	
14	548P3	Brake Pad Kit	Includes three pads, sleeves and screws

Front Panel, Base Assembly and Cabinet Assembly



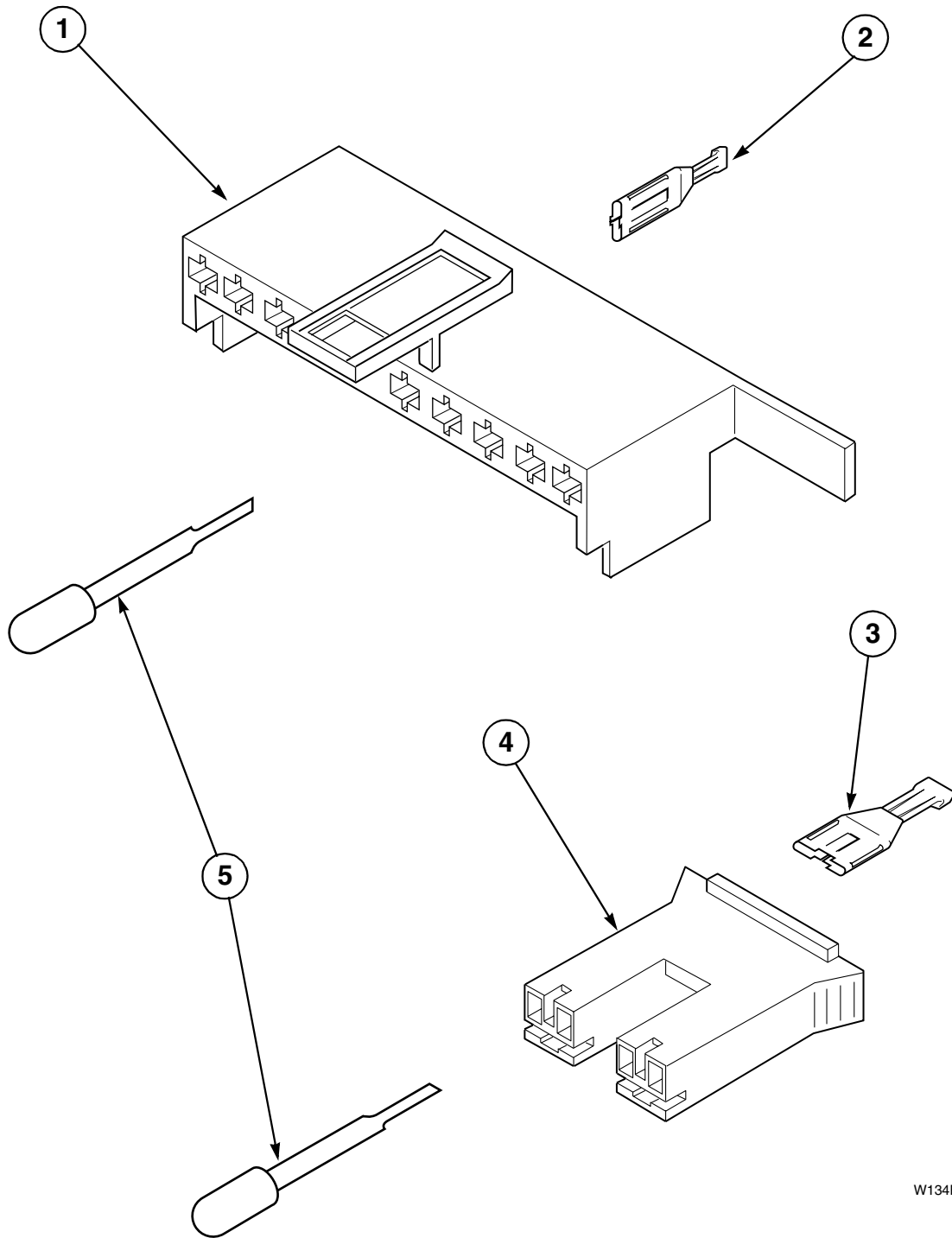
W184P

Front Panel, Base Assembly and Cabinet Assembly

REF	PART #	DESCRIPTION	COMMENTS
1	56128	Bumper Pad	Thin
2	56079	Guide Lug	
3	32671	Screw	
4	36226	Bumper Pad	Thick
5	34499	Screw	
6	23962	Screw	
7	27103	Hinge	
8	34475*P	Cabinet Assembly	
9	27196	Screw	
10	34443	Leveling Leg and Stabilizer Bar Assembly	
11	35148	Screw	
12	36036	Bracket	Right
13	36599P	Base Assembly	Includes 34443 Leveling Leg and Stabilizer Bar Assembly, 36036 Bracket, 36037 Bracket, 36108 Snubber Pad and Isolator Assembly, 34319 Leveling Legs and attaching hardware
14	34319	Leveling Leg	
15	34318	Rubber Foot	
16	21899	Locknut	
17	36108	Snubber Pad and Isolator Assembly	
18	36037	Bracket	Left
19	32671	Screw	
20	28102	Guide Lug	
21	34656*P	Front Panel	Includes 35865 Hold-Down Clip, 35097 Brace and attaching hardware
22	35865	Hold-Down Clip	
23	35097	Brace	

* Add Letter to Designate Color. L - Almond W - White

Mixing Valve and Motor Connection Blocks, Terminals and Terminal Extractor Tool

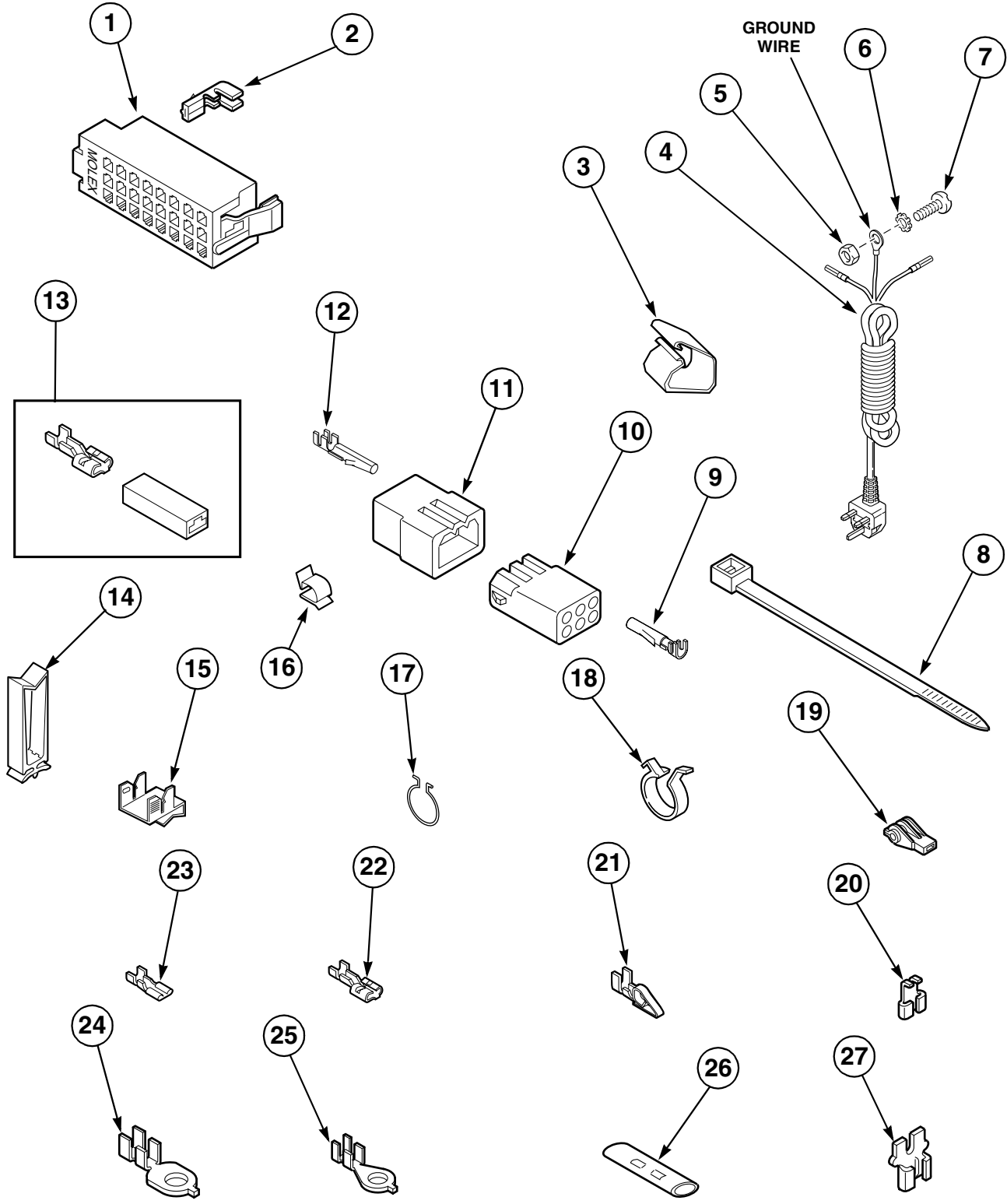


W134P

Mixing Valve and Motor Connection Blocks, Terminals and Terminal Extractor Tool

REF	PART #	DESCRIPTION	COMMENTS
1	34677	Molex Housing	Motor
2	00188	Molex Terminal	For one or two wire application
3	00121	Spade Terminal	1/4 inch
4	34675	Mixing Valve Amp Housing	Natural
	34676	Mixing Valve Amp Housing	Red
5	283P4	Terminal Extractor Tool	

Power Cord and Terminals

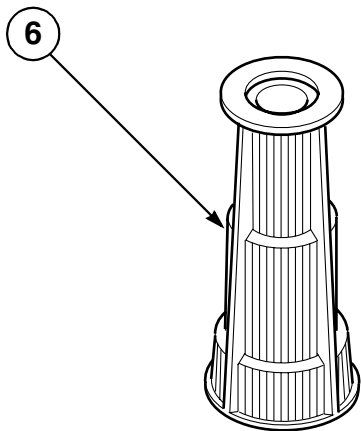
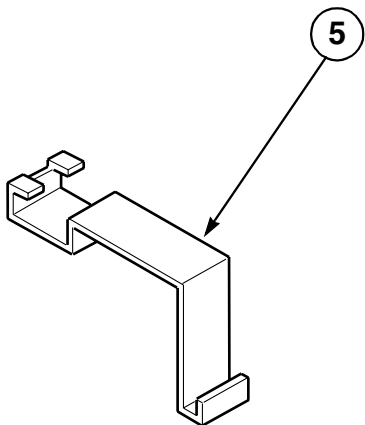
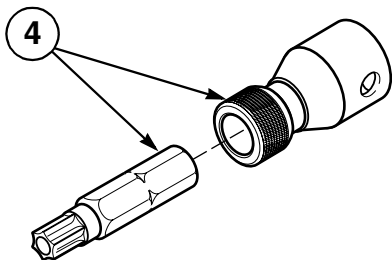
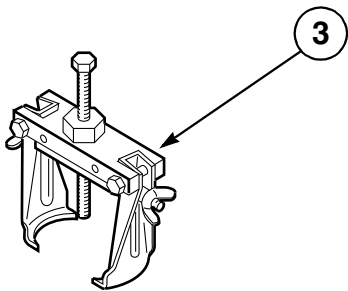
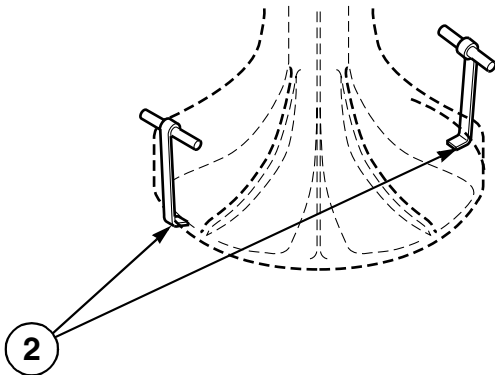
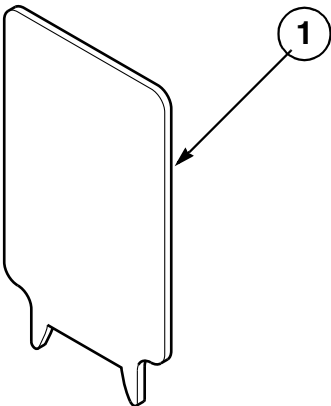


W301P

Power Cord and Terminals

REF	PART #	DESCRIPTION	COMMENTS
1	32746	Molex Housing	Right
	34123	Molex Housing	Left
2	00188	Molex Terminal	Used for one or two wire application
3	35521	Harness Clip	
4	37179	Power Cord	
5	28447	Nut	
6	28449	Lockwasher	
7	28448	Screw	
8	55881	Wire Tie	
9	00117	Terminal	Female
10	26302	Terminal Block	1 circuit
	26708	Terminal Block	6 circuit
	26163	Terminal Block	9 circuit
11	26302	Terminal Block	1 circuit
	23041	Terminal Block	6 circuit
	23033	Terminal Block	9 circuit
12	00116	Terminal	Male
13	00234	Terminal and Housing Assembly	
14	36274	Harness Clip	
15	00161	Ground Clip	
16	21036	Cable Clip	
17	51291	Wire Clip	
18	61510	Wire Clip	
19	70210	Plastic Insulator	
20	00120	Right Angle	Flag terminal
21	00220	Spade Terminal	Female; 1/4 inch
22	00119	Spade Terminal	Large spade
23	00112	Spade Terminal	Small spade
24	00113	Eyelet Terminal	1/4 inch ring
25	00110	Eyelet Terminal	Small shank
26	21091	Connector	
27	29673	Double Connector	

Special Tools

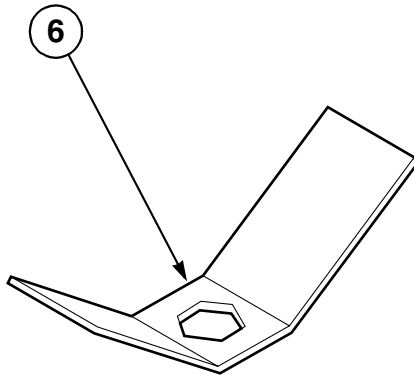
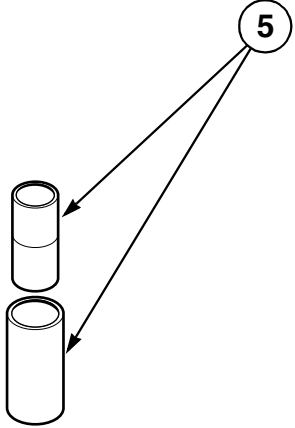
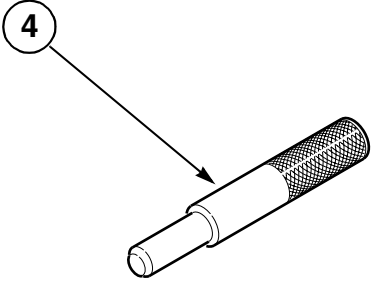
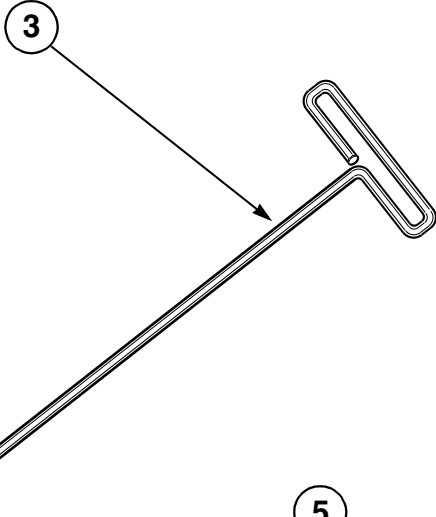
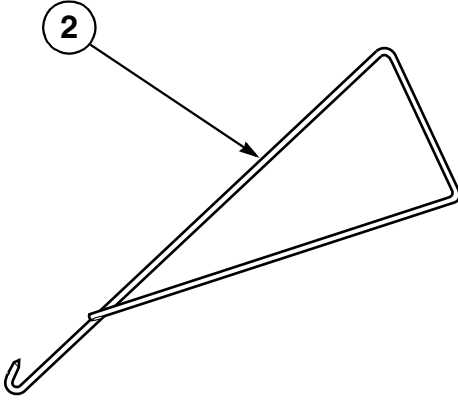
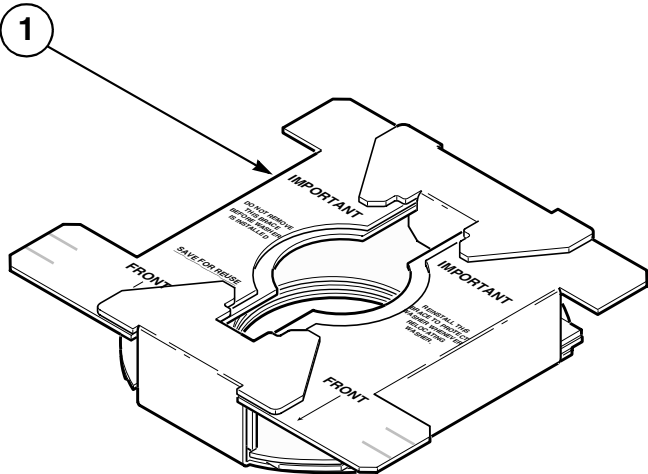


W279P

Special Tools

REF	PART #	DESCRIPTION	COMMENTS
	555P3	Tool Kit	Includes items 1, 2, 5 and 6
1	272P4	Lid Switch Tool	Use for installing lid switch for models using 33440 Switch Holder
2	254P4P	Agitator Hooks	Set of two; Use to remove agitator from drive bell
3	294P4	Bell Tool	Replaces bell tool, Part No. 253P4; For removal and installation of drive bell to transmission shaft
4	24161	Torx Bit Holder	3/8" Drive; For removal and installation of shield to cabinet top and pump attaching screws
	282P4	Tamper Resistant Bit	T25; For removal and installation of shield to cabinet top and pump attaching screws
5	273P4	Outer Tub Cover and Gasket Tool	Use to remove 36025P Outer Tub Cover from Outer Tub and to install 32857 Gasket in outer tub cover
6	293P4	Seal Tool	For installation of 36425 Seal

Special Tools



W280P

Special Tools

REF	PART #	DESCRIPTION	COMMENTS
	294P4A	Drive Bell Arms	To update 253P4 Bell Tool
	294P4B	Drive Bell Bolt	To update 253P4 Bell Tool
1	36926	Washer Shipping Brace	Install whenever moving washer; Remove before use
2	289P4	Spring Hook	For removal of centering springs from outer tub
3	291P4	"T" Handle Allen Wrench	For the removal and installation of the three pump assembly attaching screws
4	305P4	Guide Tool	Two required; Use guide pins in place of dowel pins when reassembling transmission cover and case
5	242P4	Brake Spring Installer	For installing brake spring
6	237P4	Hex Wrench	For removal of locknut from washtub hub

Wire Harnesses and Wires

Individual wires are not available separately. Order complete wire harness, or order wire by the foot. See chart at bottom of page.

MODEL NUMBER	BASE WIRE HARNESS	TIMER WIRE HARNESS	HOOD WIRE HARNESS
EA2011*A	37573	28217	33804
EA2020*A	37573	34092	33805
EA2021*A	37573	34092	33805
EA2110*A	37573	29279	33757
EA2111*A	37573	29279	33757
EA2120*A	37573	29281	33758
EA2121*A	37573	29281	33758
EA2210*A	37573	29279	33757
EA2220*A	37573	29281	33758
EA2221*A	37573	29281	33758
EA2520*A	37573	34175	33758
EA2820*A	37573	36094	36093
EA2821*A	37573	36094	36093
EA2920*A	37573	36094	36093
EA2921*A	37573	36094	36093
EA3920*A	37573	37525	36093
EA3921*A	37573	37525	36093

* Add Letter To Designate Color. L – Almond W – White

Order the individual wire color and gauge by the part number listed below. Order wire by the foot and terminals and connectors as required. It is recommended when applying terminals to wires that the terminals be soldered to the wires.

IMPORTANT: Always replace wires with proper gauge.

PART NUMBER	WIRE GAUGE	WIRE COLOR
45001	18 Gauge Wire	Black
45380	12 Gauge Wire	Orange

Parts Index

A

Actuator Arm 33441	11
Agitator 33174	23
Agitator Hooks 254P4P	41
Agitator Pinion 27003	29
Anti-Seize Compound 27604P	27

B

Backflow Preventer 34500	19	
Balance Ring 34731	27	
Base Assembly 36599P	35	
Base Wire Harness 37573	44	
Beaded Tie Down Strap 33489	31	
Bearing 28944R	33	
Bearing Housing Assembly 27182	27	
	35746	33
Bell Tool 294P4	41	
Belt 35517	13	
Bleach Dispenser 34776	9	
Brace 35097	35	
Bracket 36036	35	
	36037	35
	502589	17
Brake Assembly 31961P	33	
Brake Pad Kit 548P3	33	
Brake Spring Installer 242P4	43	
Bumper 21685	9	
Bumper Pad 36226	35	
	56128	35
Bushing 33446	9	

C

Cabinet Assembly 34475*P	35	
Cabinet Top 37071*	9	
Cable Clip 21036	39	
Cap Screw 27202	23	
	36991	27
	37047	27
Centering Spring 35948	25	
Clip 28849	13	
	36985	25
Clothes Guard 35035	23	
Connector 21091	39	
Contacto Box Base 37214	15	
Contacto Box Cover 37147	15	
Control Hood Assembly 31811	5	
	36295	7
	37844	5
	37845	7
Control Hood Rear Panel 34903	5, 7	
Control Knob 33610	5	
	33688	7
Cover Plate 37828	9	

D

Director Bracket 36034	9
Double Connector 29673	39
Dowel Pin 27172	29
Drain Extension Kit 406P3	31
Drain Hose 37246	31
Drain Hose Sleeve 33615	31
Drain Hose Strain Relief 32219	31
Drive Bell 39508P	23
Drive Bell and Seal Kit 36443P	23

Drive Bell Arms 294P4A	43
Drive Bell Bolt 294P4B	43
Drive Pinion 36562	29

E

End Cap 31248	5, 7
31249	5, 7
Eyelet Terminal 00110	39
00113	39

F

Fabric Softener Dispenser 36542	23
Fill Hose 35874	19
Filter Washer 28605	19
Flinger 27187	27
Front Panel 34656*P	35
Fuse 502592	17
502593	17
Fuse Holder Body 502591	17
Fuse Holder Cap 502811	17

G

Gasket 28094	23
29677	9
30378	9
32857	25
34338	9
Graphic Panel 36954	5
36974	7
36975	5
Grommet 29175	25
37295	15
80262	9, 15
Ground Clip 00161	39
Guide Lug 28102	35
56079	35
Guide Tool 305P4	43

H

Harness Clip 35521	39
36274	39
Helix 27018	33
Hex Wrench 237P4	43
Hinge 27103	35
36437	9
36438	9
Hold-Down Clip 35865	35
Hood Wire Harness 33757	44
33758	44
33804	44
33805	44
36093	44
Hose Clamp 29210	19
36801	19
36802	31
Hose Retainer Clip 36014	31
Hose Support 36522	31
Hose Washer 20290	19
Hub and Seal Kit 495P3A	23

I

Idler Lever 37443	13
Idler Lever Spring 37606	13
Idler Pulley 28800	13
Idler Shaft 28802	13
Indicator Light 36968	5, 7
Inlet Hose Assembly 33171P	19
37380	19
37381	19
Inlet Screen 24122	21
Input Shaft 34853	29
Internal Gear 26577	29

K

Knurled Nut 24206	5, 7
----------------------------	------

L

Latch	29674	9
Leg Plate	27926	25
Leveling Leg	34319	35
Leveling Leg and Stabilizer Bar Assembly	34443	35
Lever	33442	11
Lid Lock	29678	9
Lid Lock Control	37269	5, 7
Lid Switch Tool	272P4	41
Lint Filter	32998	23
Loading Door	33552*	9
Locknut	21899	35
	28803	13
	29220	23
	52566	13
Lockwasher	21456	29
	21734	5, 7
	25820	5, 7
	28449	5, 7, 39

M

Mixing Valve Amp Housing	34675	37
	34676	37
Mixing Valve Assembly	37061	21
Mixing Valve Mounting Bracket	34972	19
Molex Housing	32746	39
	34123	39
	34677	37
Molex Terminal	00188	37, 39
Motor Assembly	37058	13
Motor Mount	34788	13
Motor Mount Post	34791	13
Motor Pulley	27171	13
Motor Shield	34754	13
	36965	13
Motor Switch	35632	13

Mounting Bracket	37415	13
------------------	-------	----

N

Nut	02788	5, 7
	22001	9
	28447	5, 7, 39
	35423	13
	52947	5, 7
	57584	5, 7

O

"O" Ring	36472	23
Outer Tub	34438P	25
Outer Tub Cover and Gasket Tool	273P4	41
Outer Tub Cover Assembly	36025P	25
Output Shaft	36570	29

P

Pivot Dome	34470	33
Plastic Insulator	70210	39
Plate	29676	9
Plug	36511	23
Power Cord	37179	39
Pressure Bulb	30907	25
Pressure Hose	29213	25
Pressure Switch	36045	5, 7
Pulley Assembly	35308	33
Pump Assembly	36863P	13
Push-To-Start Switch	55882	5, 7

R

Rack	31526	29
Reduction Gear	29161	29
Relay	37055	15
	502501	5, 7, 15

Retainer Nut 27222	27
Retainer Ring 23748	13
27197	29
Right Angle 00120	39
Roll Pin 23750	13
Rubber Foot 34318	35

S

Screw	
Q6516	5, 7
Q6695	9
20530	15
22649	9
23962	5, 7, 11, 35
27196	35
27220	33
28448	5, 7, 39
29273	29
31260	5, 7
31644	9
31645	13, 15
31752	5
32184	9
32671	35
32814	29
32993	7
33562	19
34337	9
34499	35
34565	13
35148	35
35369	25, 33
35527	9
36035	9
36510	11
36639	13
501086	5, 7, 15, 19
51784	15
52909	9
Seal	
36425	23
Seal Tool 293P4	41
Sealant 37577P	29
Shield 34228	9
Shoulder Bolt 27229	13
Shoulder Screw 34288	23
Silicone Lubricant 26594P	33
Siphon Break Kit 562P3	31
Slide 26493	29
Snubber Pad and Isolator Assembly 36108	35

Spade Terminal 00112	39
00119	39
00121	37
00220	39
Special Screw 27030	29
Splined Insert 29728	23
Spring 33435	33
33443	11
Spring Hook 289P4	43
Sticker 36592	9
500049	25
502506	13
502511	5, 7, 15
Strain Relief 36957	5, 7
Support 501523	5, 7
56534	9
Support Leg 34471	33
Switch 33445	11
Switch Collar 57327	5, 7
Switch Holder Kit 36497P	11

T

"T" Handle Allen Wrench 291P4	43
Tamper Resistant Bit 282P4	41
Temperature Switch 21300	5, 7
35115	5, 7
Terminal 00116	39
00117	39
Terminal and Housing Assembly 00234	39
Terminal Block 23033	39
23041	39
26163	39
26302	39
26708	39
36841	5, 7
Terminal Extractor Tool 283P4	37
Timer 36989	5, 7
Timer Knob 33897	5
33898	7
Timer Knob Skirt 33817	5
33818	7

Timer Wire Harness	
28217	44
29279	44
29281	44
34092	44
34175	44
36094	44
37525	44
Tool Kit	
555P3	41
Torx Bit Holder	
24161	41
Transformer	
M412477	15
Transmission Assembly	
34526P	27
Transmission Case Assembly	
33223	29
Transmission Cover Assembly	
38290	29
Transmission Oil	
27243P	29
Tub-To-Pump Hose	
35753	31

W

Washer	
21643	9
26509	29, 33
27015	33
29260	29
29443	13
35092	29
35535	33
52549	13
81392	13
Washer Shipping Brace	
36926	43
Washtub	
33503P	23
33510P	23
Wire Clip	
51291	39
61510	39
Wire Tie	
55881	39
Wire, 12 Gauge	
45380	44
Wire, 18 Gauge	
45001	44