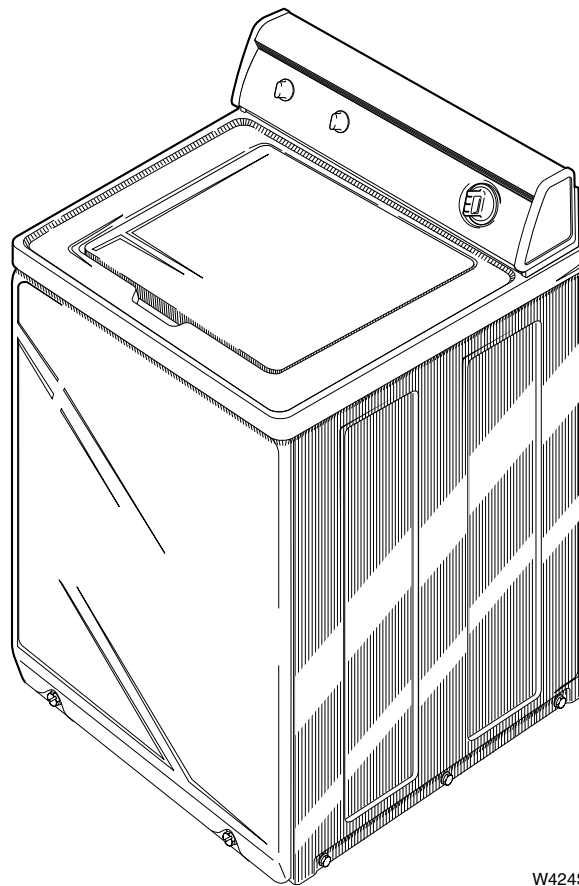


Automatic Washers

Refer to Page 3 for Model Numbers



W424S

Table of Contents

Title	Page
Parts Ordering Information	2
Nameplate Location	2
Model Identification	3
Graphic Panel, Control Mounting Plate and Controls	4
Graphic Panel, Control Mounting Plate and Controls	6
Loading Door Switch.....	8
Cabinet Top, Loading Door and Control Hood Rear Panel	10
Inlet Hose, Fill Hose, Mixing Valve and Mounting Bracket	12
Motor, Mounting Bracket, Belt, Pump and Idler Assembly	14
Agitator, Drive Bell, Seal Kit, Washtub and Hub	16
Agitator, Drive Bell, Seal Kit, Washtub and Hub	18
Outer Tub, Cover, Pressure Hose and Counterweight	20
Drain Hose and Siphon Break	22
Weldment and Bearing Assembly, Brake and Pulley	24
38826P Transmission Assembly	26
Front Panel, Base and Cabinet.....	28
Mixing Valve and Motor Connection Blocks, Terminals and Extractor Tool	30
Power Cord and Terminals	32
Terminals	34
Special Tools	36
Special Tools	38
Wire Harnesses and Wires	40
Production Literature	40
Parts Index.....	41

© Copyright 2000, Alliance Laundry Systems LLC

All rights reserved. No part of the contents of this book may be reproduced or transmitted in any form or by any means without the expressed written consent of the publisher.

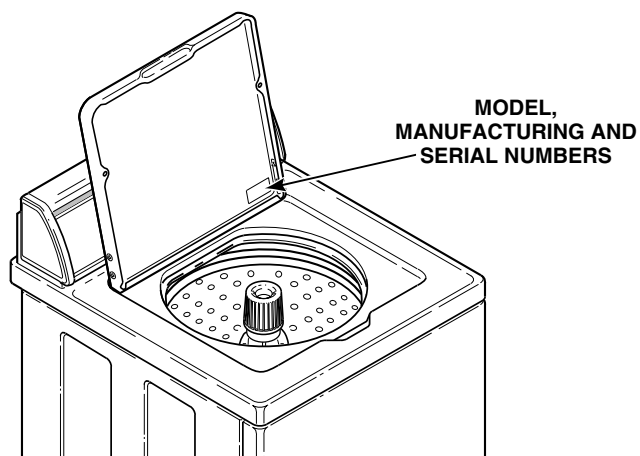
Parts Ordering Information

If literature or replacement parts are required, contact the source from whom the machine was purchased or contact Alliance Laundry Systems at (920) 748-3950 for the name and address of the nearest authorized parts distributor.

For technical assistance, call (920) 748-3121.

Nameplate Location

When calling or writing about your product, be sure to mention model and serial numbers. Model and serial numbers are located on nameplate(s) as shown.



W429SZ2A

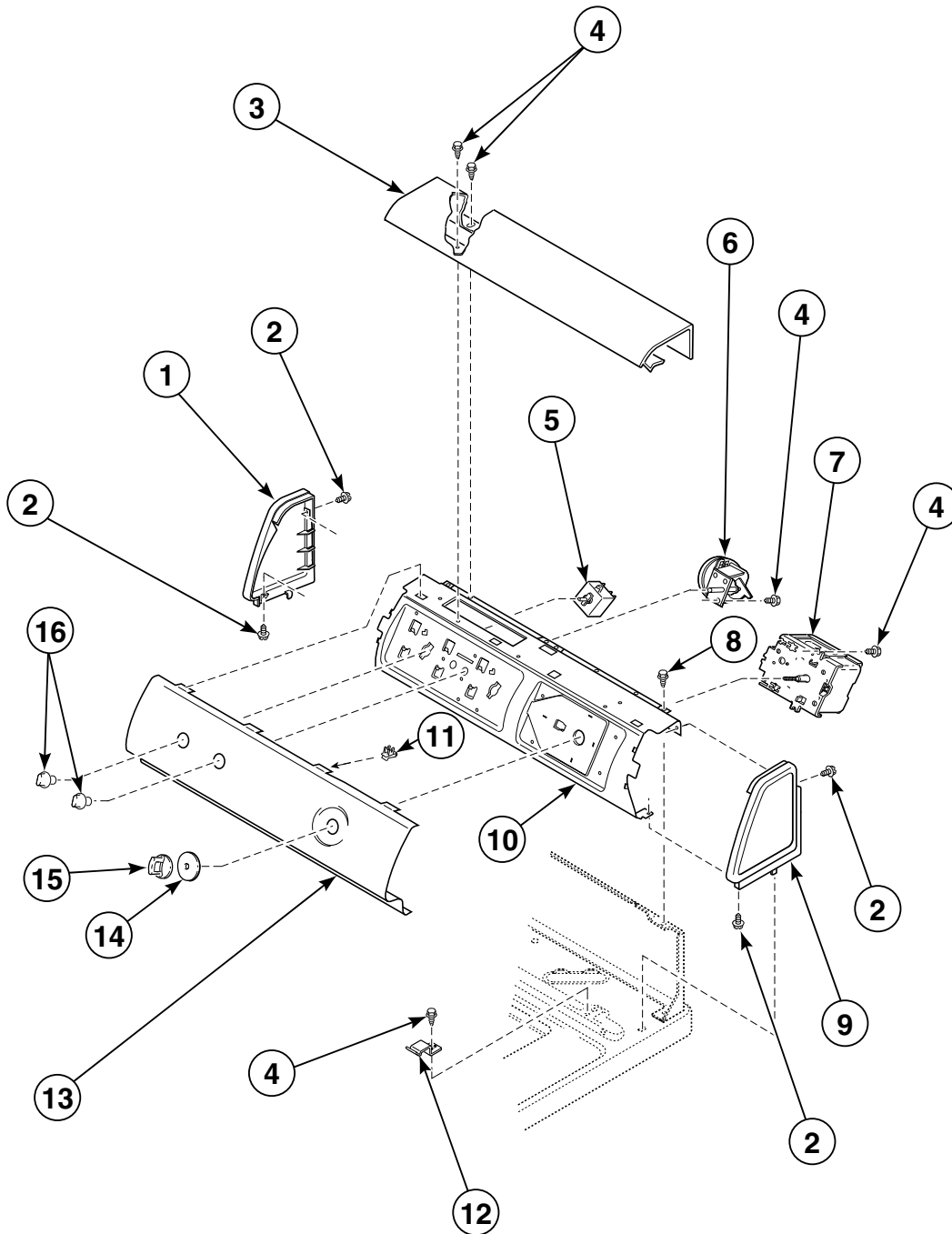
Model Identification

Information in this manual is applicable to these washers:.

Model Number	Manufacturing Number	One-Speed Motor	Two-speed Motor	Timer Model	Porcelain Washtub (cu. ft.)	Stainless Steel Washtub (cu. ft.)
LWS01AW	PLWS01AW	X		X	2.9	
LWS04AW	PLWS04AW	X		X	2.9	
LWS16AW	PLWS16AW	X		X	3.3	
LWS17AW	PLWS17AW	X		X		3.3
LWS34AW	PLWS34AW		X	X		2.9
LWS55AW	PLWS55AW		X	X		3.3

Graphic Panel, Control Mounting Plate and Controls

Models LWS01A*, LWS04A*, LWS16A*, LWS17A* and LWS34A*



W320PZ3A

* Add Letter To Designate Color. L – Almond W – White

Graphic Panel, Control Mounting Plate and Controls

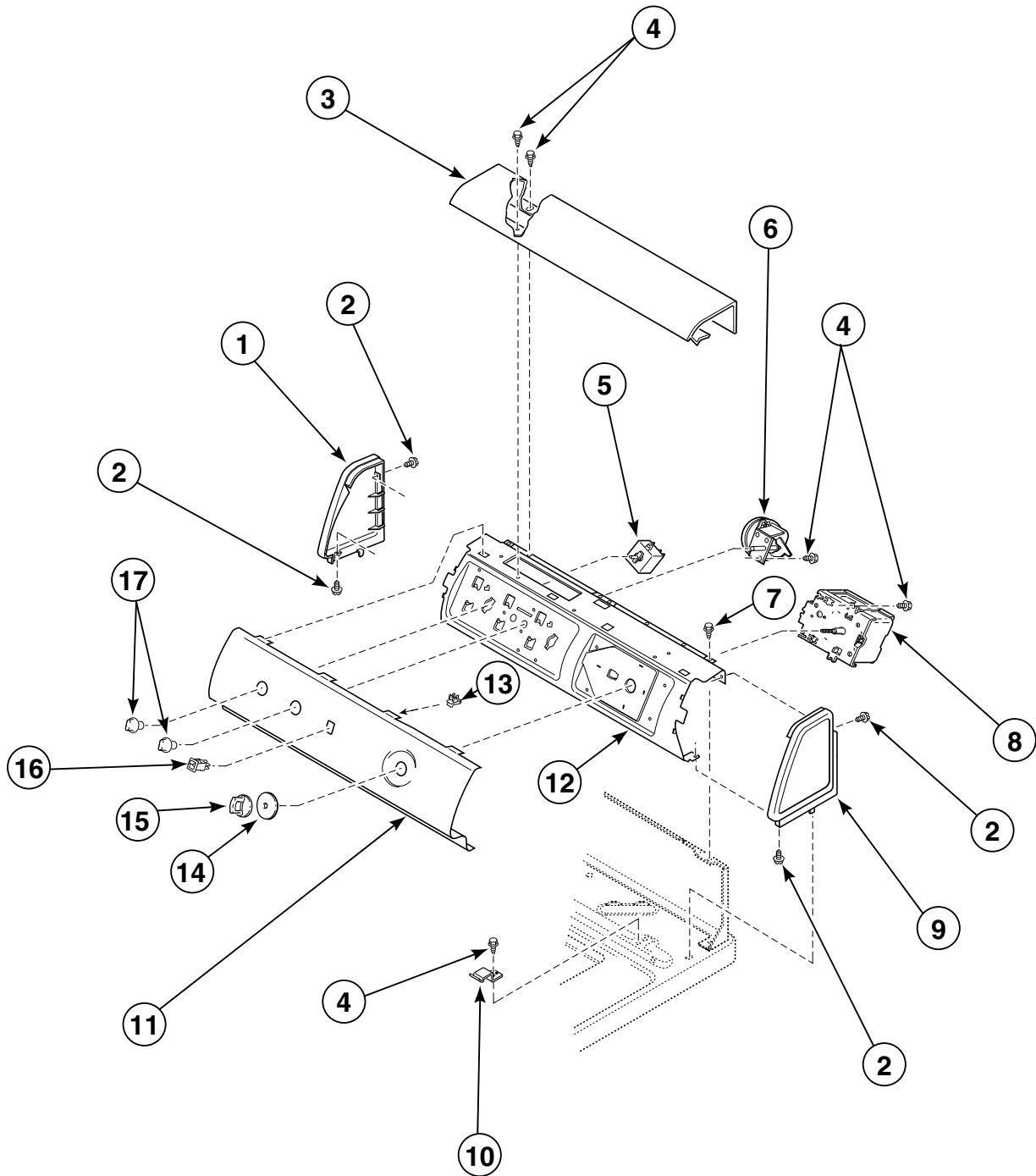
Models LWS01A*, LWS04A*, LWS16A*, LWS17A* and LWS34A*

REF	PART #	DESCRIPTION	COMMENTS
1	504009*	End Cap	Left
2	501086	Screw	
3	39905*	Top Cover	
4	23962	Screw	
5	35115	Temperature Switch	
6	39035	Pressure Switch	Model LWS34A*
	38619	Pressure Switch	Model LWS04A*
	38842	Pressure Switch	Models LWS16A* and LWS17A*
	39035	Pressure Switch	Model LWS01A*
7	37927	Timer	Model LWS34A*
	37929	Timer	All models except LWS34A*
8	34904	Screw	
9	504008*	End Cap Right	
10	38171	Control Mounting Plate	
11	00161	Ground Clip	
12	35358	Hold-Down Clip	
13	38831*	Graphic Panel	Model LWS34A*
	38832*	Graphic Panel	Model LWS04A*
	38887*	Graphic Panel	Models LWS01A*, LWS16A* and LWS17A*
14	38841W	Timer Knob Skirt	White
15	33898W	Timer Knob	White
16	33688	Control Knob	White

* Add Letter To Designate Color. L – Almond W – White

Graphic Panel, Control Mounting Plate and Controls

Models LWS55A



W336PZ3A

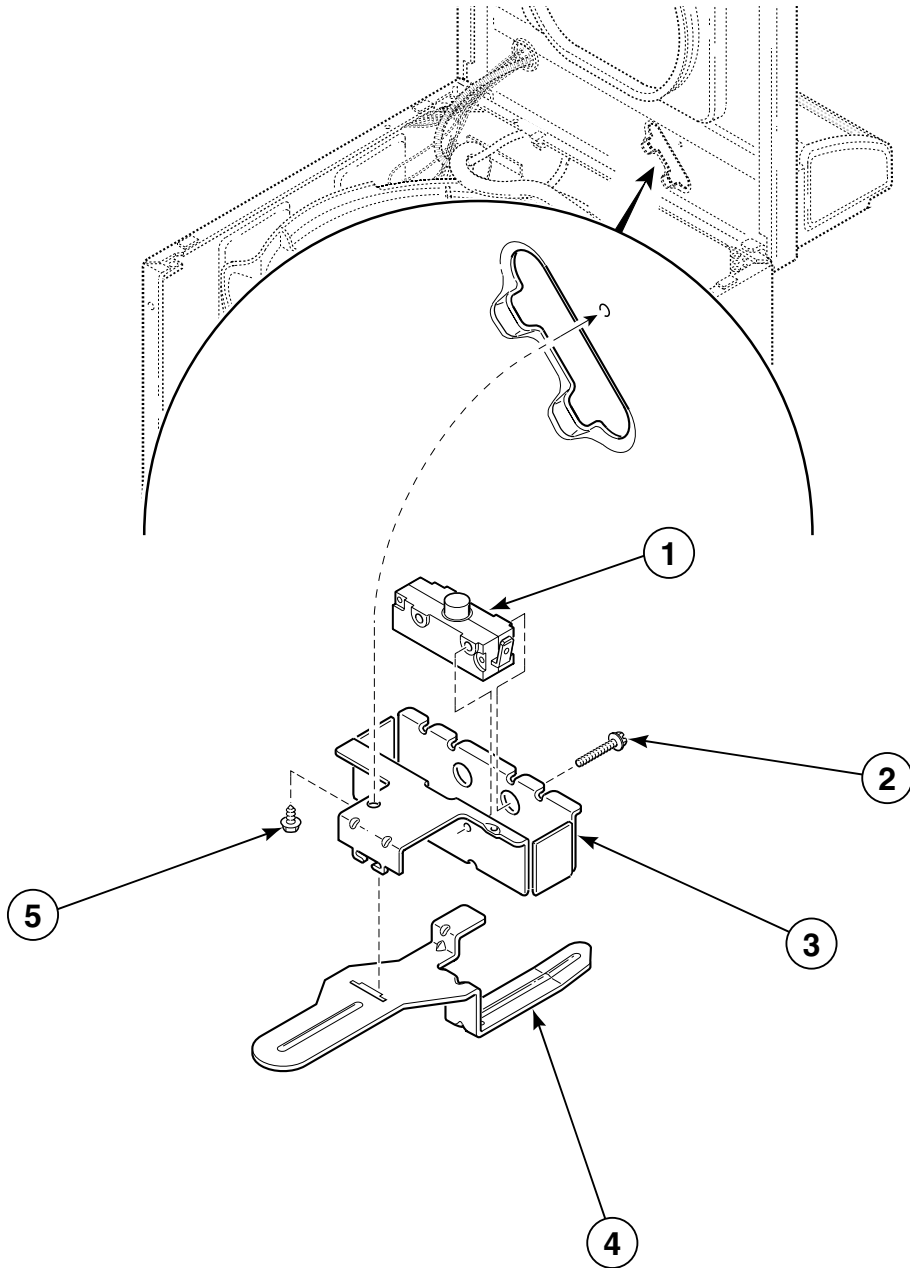
Graphic Panel, Control Mounting Plate and Controls

Models LWS55A

REF	PART #	DESCRIPTION	COMMENTS
1	504009*	End Cap	Left
2	501086	Screw	
3	39905*	Top Cover	
4	23962	Screw	
5	36335	Temperature Switch	
6	39023	Pressure Switch	
7	34904	Screw	
8	38881	Timer	
9	504008*	End Cap Right	
10	35358	Hold-Down Clip	
11	38830W	Graphic Panel	
12	38171	Control Mounting Plate	
13	00161	Ground Clip	
14	38841W	Timer Knob Skirt	White
15	33898W	Timer Knob	
16	38424*	Rocker Switch	
17	33688	Control Knob	White

* Add Letter To Designate Color. L – Almond W – White

Loading Door Switch

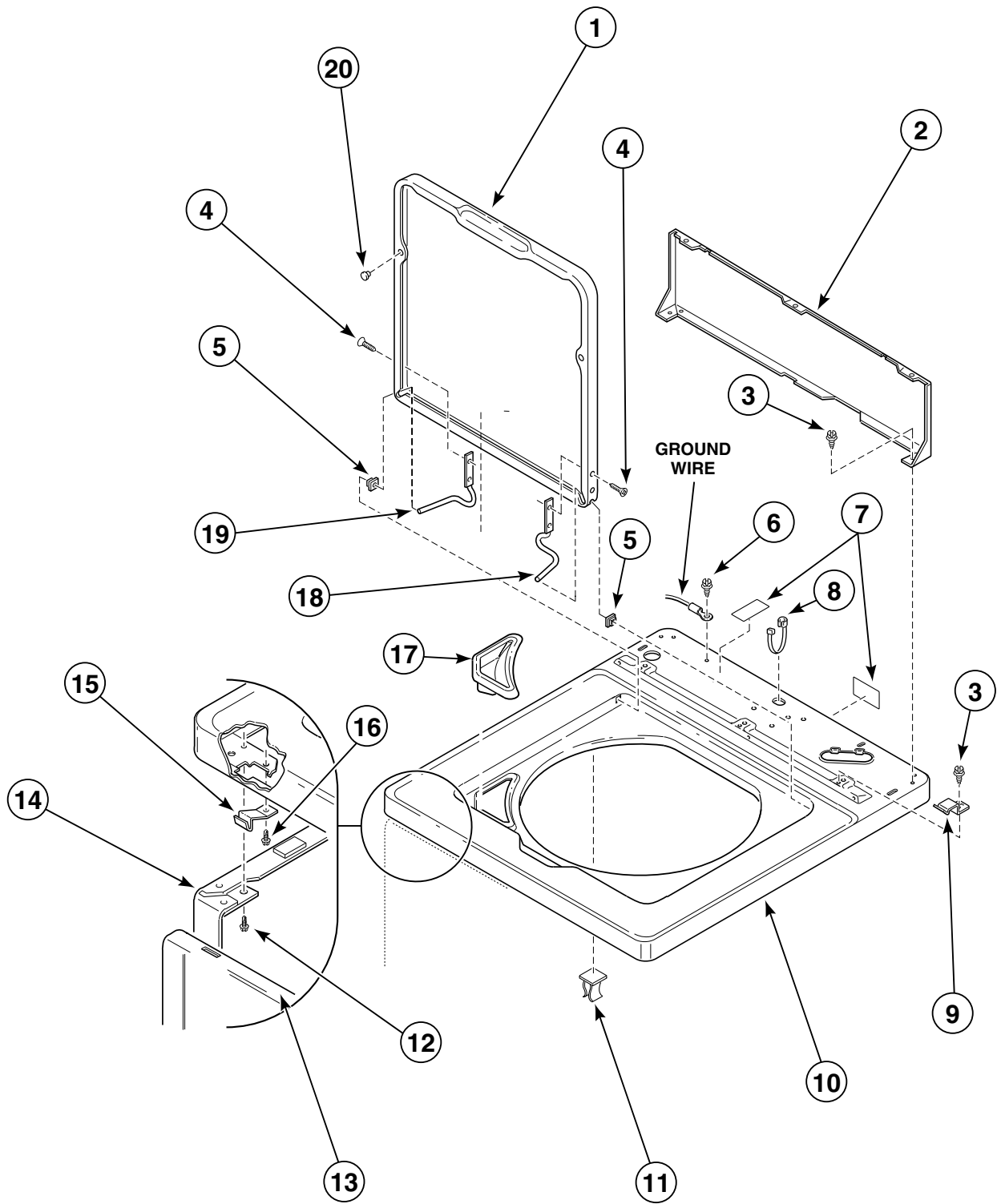


W325PZ3A

Loading Door Switch

REF	PART #	DESCRIPTION	COMMENTS
1	33445	Switch	
2	36510	Screw	
3	37629	Switch Holder	
4	37630	Actuator Arm	
5	23962	Screw	

Cabinet Top, Loading Door and Control Hood Rear Panel



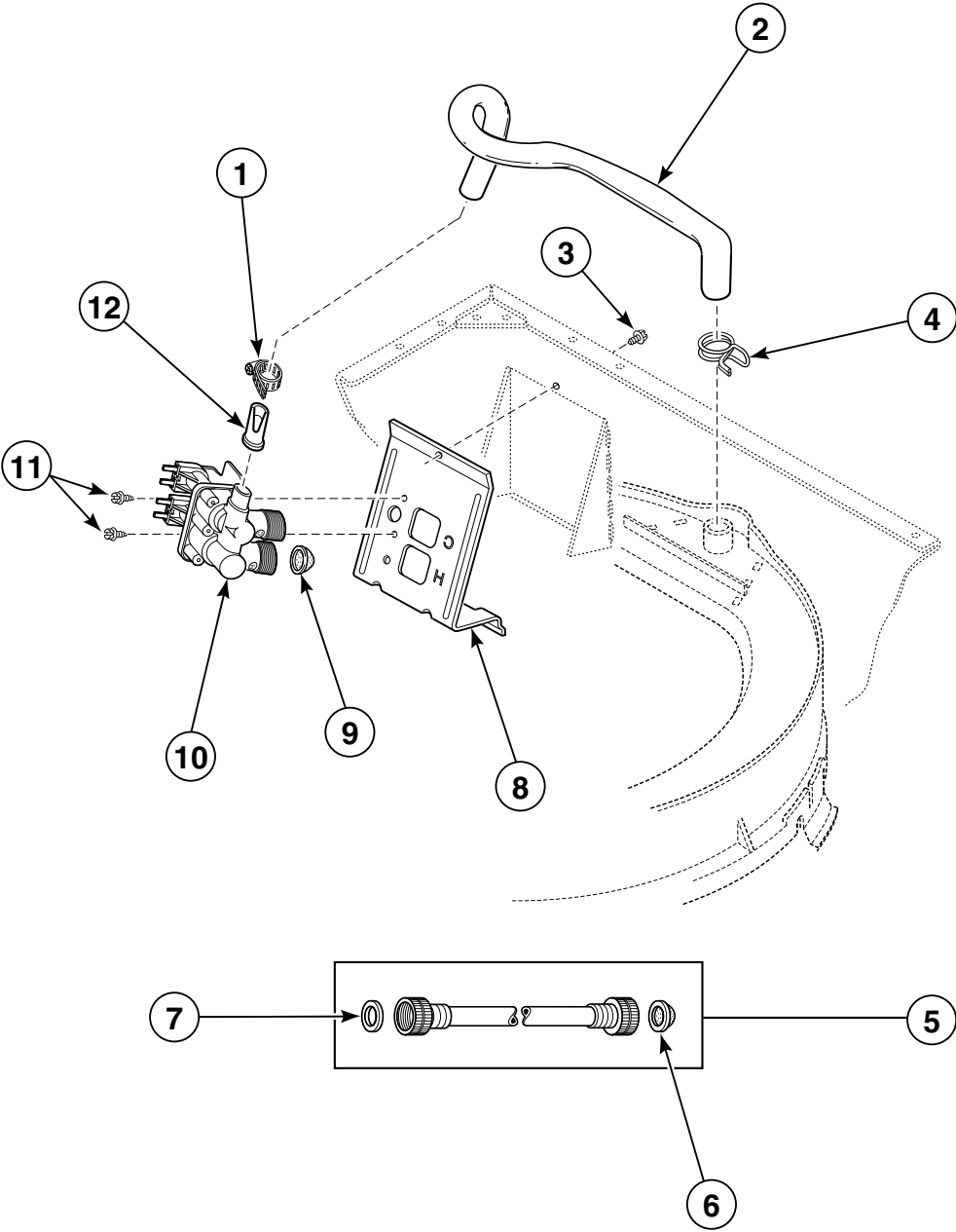
W326PZ3A

Cabinet Top, Loading Door and Control Hood Rear Panel

REF	PART #	DESCRIPTION	COMMENTS
1	39937*P	Loading Door	
2	37782	Control Hood Rear Panel	
3	23962	Screw	
4	34337	Screw	
5	33446	Bushing	
6	52909	Screw	
7	24903	Sticker	
8	38384	Strain Relief	
9	35358	Hold-Down Clip	
10	37992*P	Cabinet Top	
11	36519	Clip	
12	33562	Screw	
13	38335*P	Front Panel	
14	38612*P	Cabinet	
15	38271	Clip	
16	501086	Screw	
17	38382	Bleach Dispenser	
18	36437	Hinge	Right
19	36513	Hinge	Left
20	21685	Bumper	

* Add Letter To Designate Color. L – Almond W – White

Inlet Hose, Fill Hose, Mixing Valve and Mounting Bracket



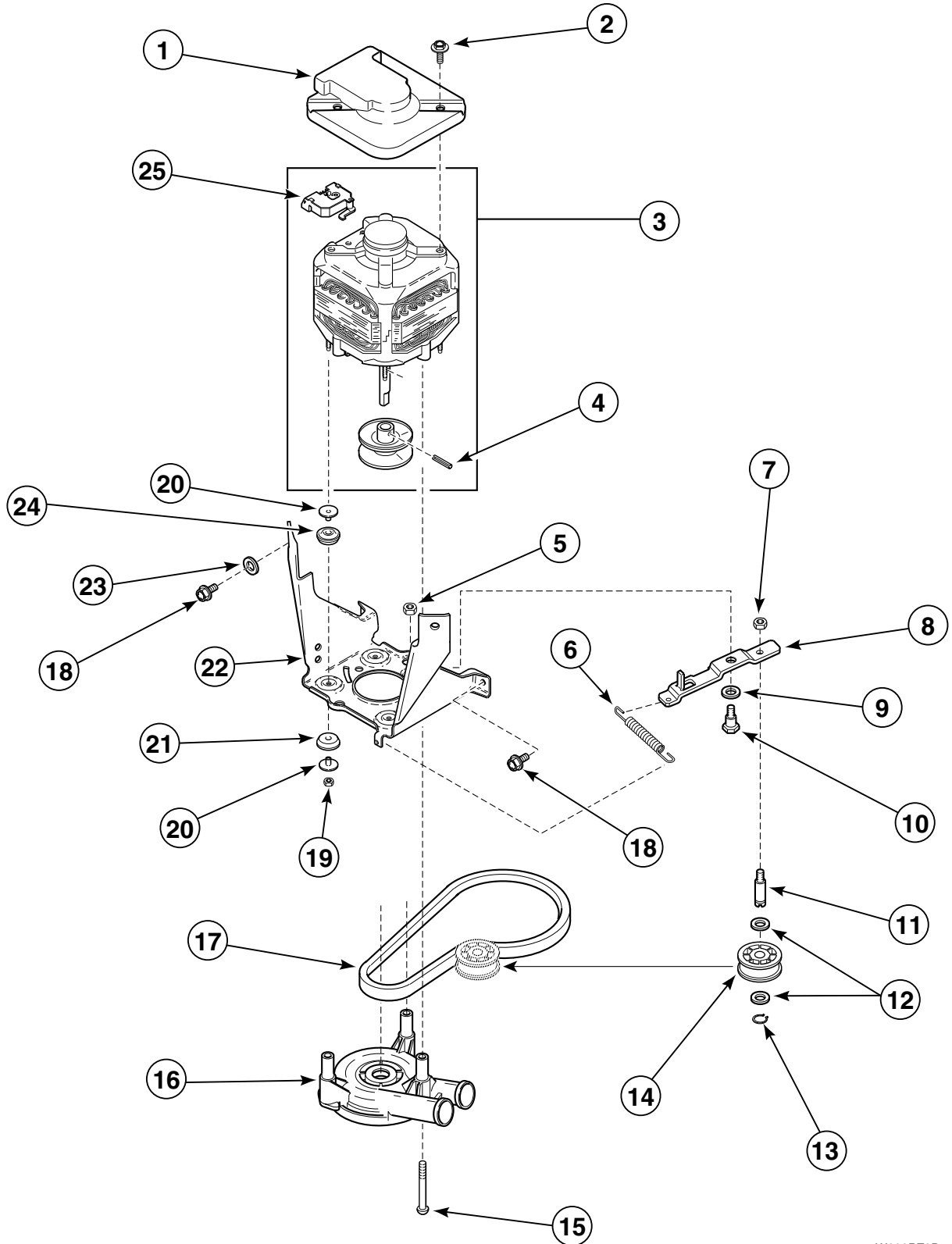
W327PZ3A

Inlet Hose, Fill Hose, Mixing Valve and Mounting Bracket

REF	PART #	DESCRIPTION	COMMENTS
1	36801	Hose Clamp	
2	38155	Filler Hose	
3	503661	Screw	
4	29210	Hose Clamp	
5	20617	Inlet Hose	8 feet
	20618	Inlet Hose	10 feet
	28330P	Inlet Hose	4 Feet; Includes item 6 and 7
6	28605	Filter Washer	N/A
7	20290	Hose Washer	
8	39407	Mixing Valve Mounting Bracket	
9	F270200	Inlet Screen	
10	38495	Mixing Valve	
11	501086	Screw	
12	34500	Backflow Preventer	

N/A = No Longer Available

Motor, Mounting Bracket, Belt, Pump and Idler Assembly



W328PZ3D

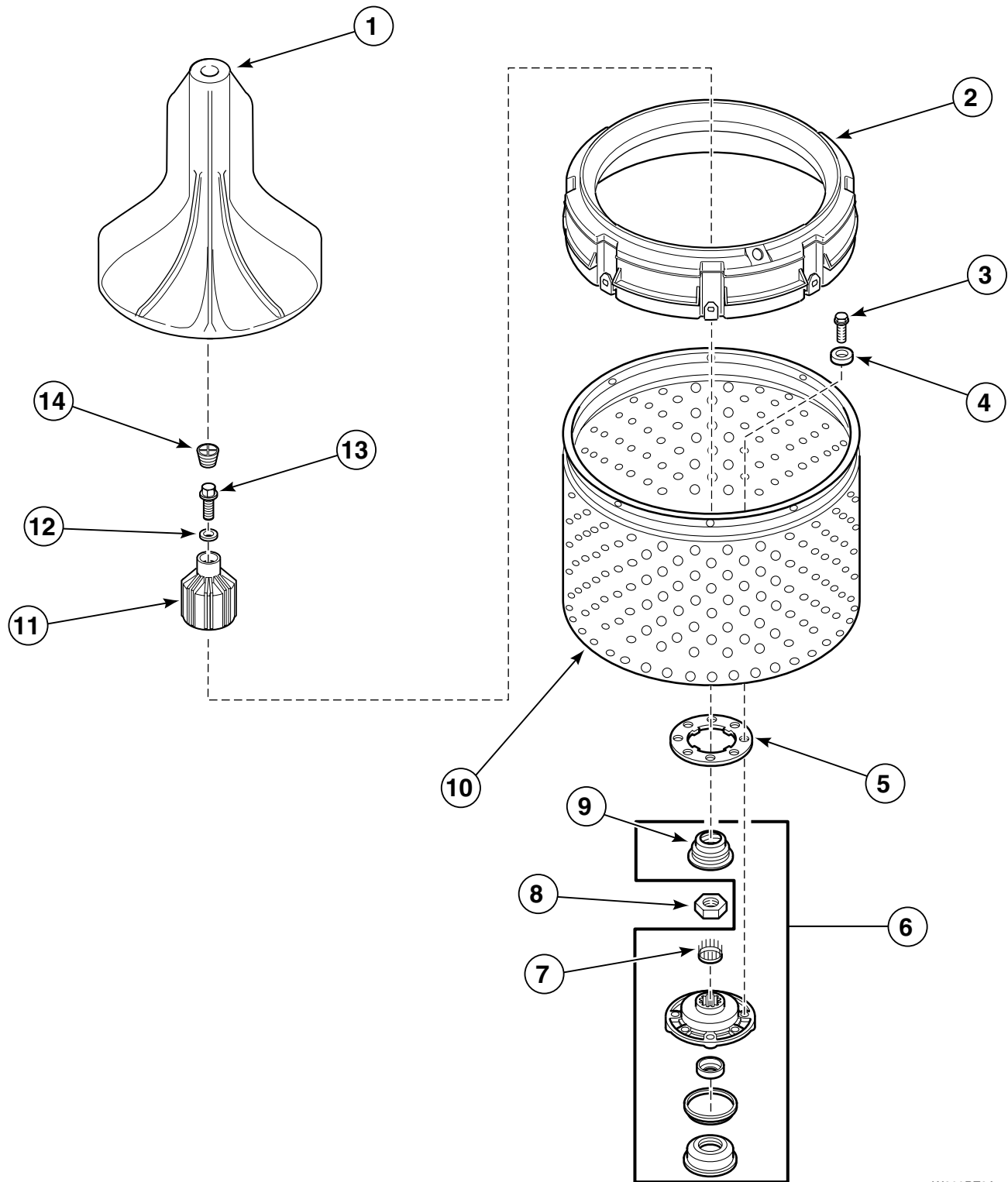
Motor, Mounting Bracket, Belt, Pump and Idler Assembly

REF	PART #	DESCRIPTION	COMMENTS
1	34754	Motor Shield	
2	36639	Screw	
3	37819	Motor	Models LWS34A* and LWS55A*; 2 speed motor
	38036	Motor	Models LWS01A*, LWS04A*, LWS16A* and LWS17A*; 1 speed motor
4	10416	Roll Pin	
5	52566	Locknut	
6	39666	Idler Lever Spring	
7	28803	Locknut	
8	38011	Idler Lever	
9	81392	Washer	
10	27229	Shoulder Bolt	
11	56461	Idler Shaft	
12	52549	Washer	Nylatron
13	23748	Retainer Ring	
14	38225	Idler Pulley	
15	34565	Screw	
16	36863P	Pump Assembly	
17	37820	Belt	Agitate and spin
18	35369	Screw	
19	35423	Nut	
20	38325	Motor Mount Post	
21	38396	Motor Mount	
22	37445	Motor Mounting Bracket	
23	37772	Washer	
24	38395	Motor Mount	
25	35632	Motor Switch	

* Add Letter To Designate Color. L – Almond W – White

Agitator, Drive Bell, Seal Kit, Washtub and Hub

Model LWS01A*



W360PZ3A

* Add Letter To Designate Color. L – Almond W – White

Agitator, Drive Bell, Seal Kit, Washtub and Hub

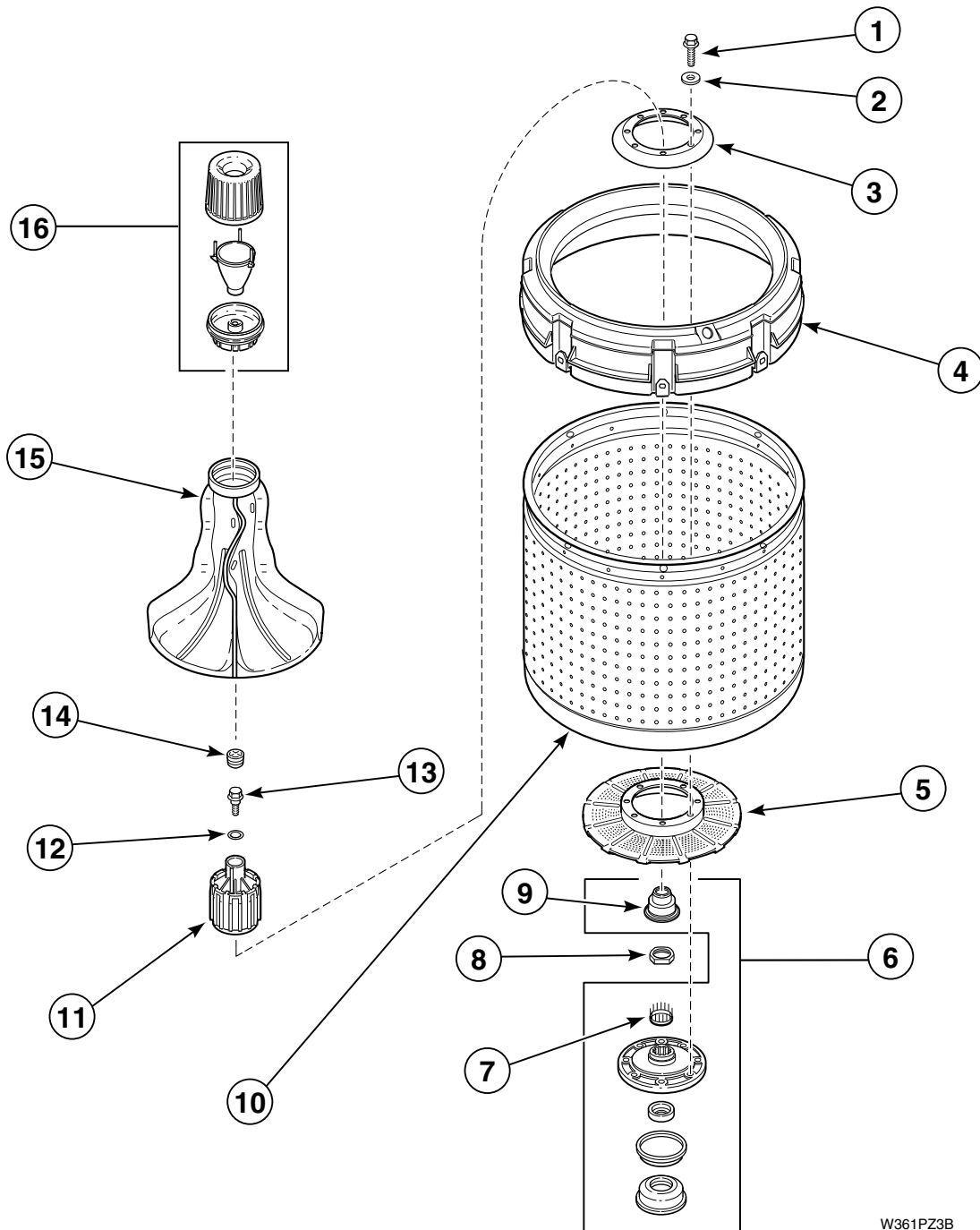
Model LWS01A*

REF	PART #	DESCRIPTION	COMMENTS
1	33514	Agitator	
2	39837	Balance Ring	White
3	27202	Cap Screw	
4	28094	Gasket	
5	39122	Gasket	
6	495P3	Hub and Seal Kit	Includes 38359 Tub Cover Gasket and 39508P Drive Bell and Seal Kit
7	29728	Splined Insert	
8	29220	Locknut	
9	36425	Seal	
10	39252P	Washtub	Blue porcelain
11	39508P	Drive Bell and Seal Kit	Includes items 7, 9, 12, 13, 14 and drive bell
12	36472	O-Ring	
13	39432	Shoulder Screw	
14	36511	Plug	

* Add Letter To Designate Color. L – Almond W – White

Agitator, Drive Bell, Seal Kit, Washtub and Hub

All Models Except LWS01A*



W361PZ3B

* Add Letter To Designate Color. L – Almond W – White

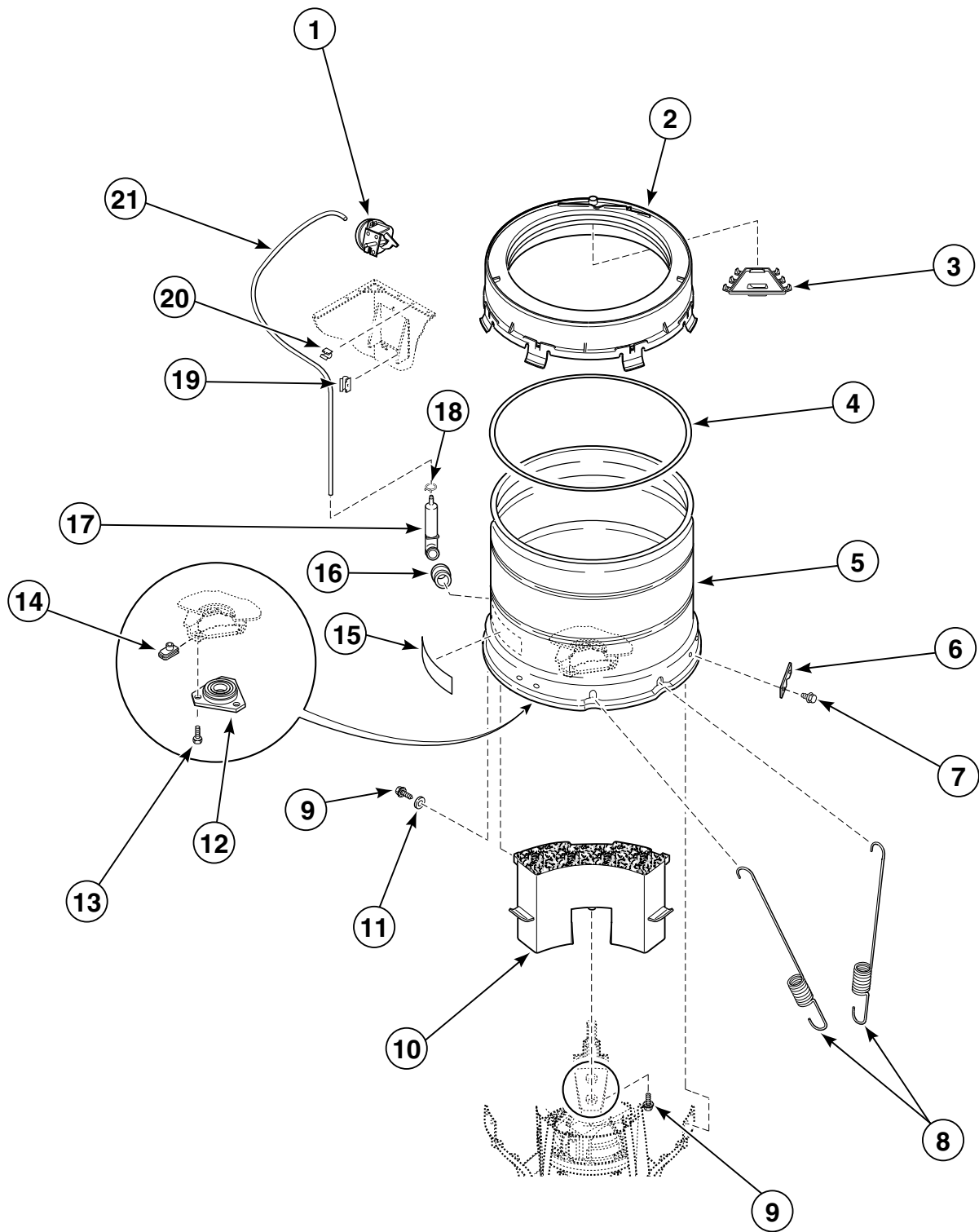
Agitator, Drive Bell, Seal Kit, Washtub and Hub

All Models Except LWS01A*

REF	PART #	DESCRIPTION	COMMENTS
1	27202	Cap Screw	
2	28094	Gasket	
3	39113	Washer	Stainless Steel; Use with stainless steel washtub; Included with 719P3 washtub
4	39835	Balance Ring	Gray; Use with stainless steel washtub
	39837	Balance Ring	White; Use with porcelain washtub
5	39371	Lint Filter	
6	646P3	Hub and Seal Kit	Includes 38359 Outer Tub Cover Gaskets and 39508P Drive Bell and Seal Kit
7	29728	Splined Insert	
8	29220	Locknut	
9	36425	Seal	
10	39387P	Washtub	Model LWS34A*; Stainless steel
	719P3	Washtub	Models LWS17A* and LWS55A*; Stainless steel; Includes washers
	39240P	Washtub	Model LWS16A*; White porcelain
	39248P	Washtub	Model LWS04A*; White porcelain
11	39508P	Drive Bell and Seal Kit	Includes items 7, 9, 12, 13, 14 and drive bell
12	36472	O-Ring	
13	39432	Shoulder Screw	
14	36511	Plug	
15	33174	Agitator	
16	36542	Fabric Softener Dispenser	

* Add Letter To Designate Color. L – Almond W – White

Outer Tub, Cover, Pressure Hose and Counterweight



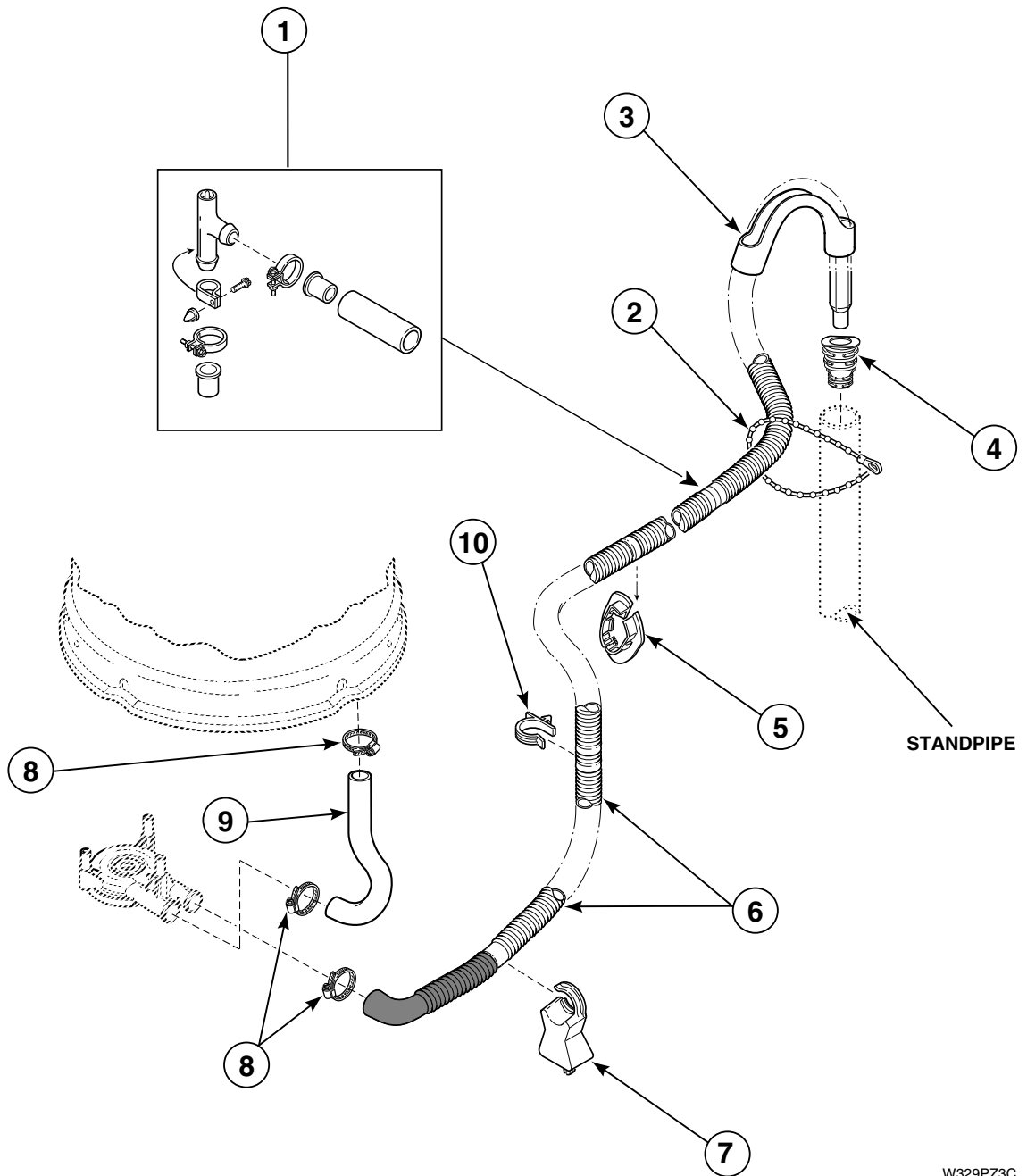
W352PZ3A

Outer Tub, Cover, Pressure Hose and Counterweight

REF	PART #	DESCRIPTION	COMMENTS
1	39035	Pressure Switch	
	39023	Pressure Switch	
	38619	Pressure Switch	
	38842	Pressure Switch	
2	37502	Outer Tub Cover	All models except LWS01A*
	38379	Outer Tub Cover	Model LWS01A*
3	39079	Water Inlet Channel	
4	38359	Gasket	
5	37813P	Outer Tub	All models except LWS01A*, LWS04A* and LWS34A*; Tall tub
	37981P	Outer Tub	Models LWS01A*, LWS04A* and LWS34A*; Short tub
6	27926	Leg Plate	
7	35369	Screw	
8	37575	Module Spring	Tall tub
	37576	Module Spring	Short tub
9	39566	Screw	
10	38769	Counterweight	
11	37767	Washer	
12	27182	Bearing Housing Assembly	
13	36991	Cap Screw	
14	27222	Retainer Nut	
15	500049	Sticker	
16	29175	Grommet	
17	30907	Pressure Bulb	
18	39282	Hose Clamp	
19	36985	Clip	
20	21036	Clip	
21	39125	Pressure Hose	

* Add Letter To Designate Color. L – Almond W – White

Drain Hose and Siphon Break

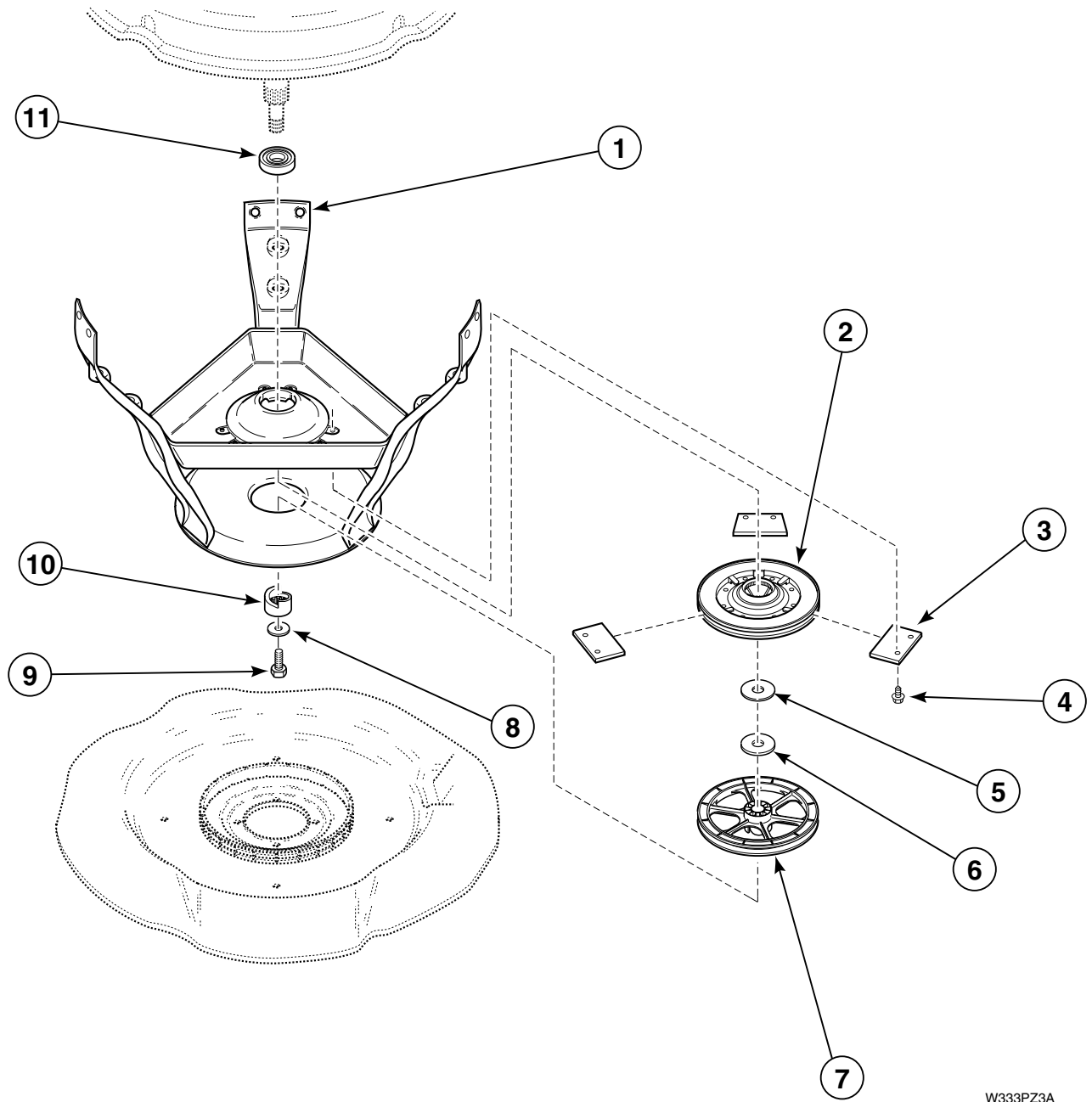


W329PZ3C

Drain Hose and Siphon Break

REF	PART #	DESCRIPTION	COMMENTS
1	562P3	Siphon Break Kit	Siphon break kit MUST be installed in drain hose if drain receptacle is lower than cabinet top of washer
2	33489	Beaded Tie-Down Strap	
3	33615	Drain Hose Sleeve	
4	36878	Standpipe Adapter	
5	32219	Drain Hose Strain Relief	
6	39893	Drain Hose	
7	38732	Hose Support	
8	36802	Hose Clamp	
9	38351	Tub-to-Pump Hose	
10	36014	Hose Retainer Clip	

Weldment and Bearing Assembly, Brake and Pulley



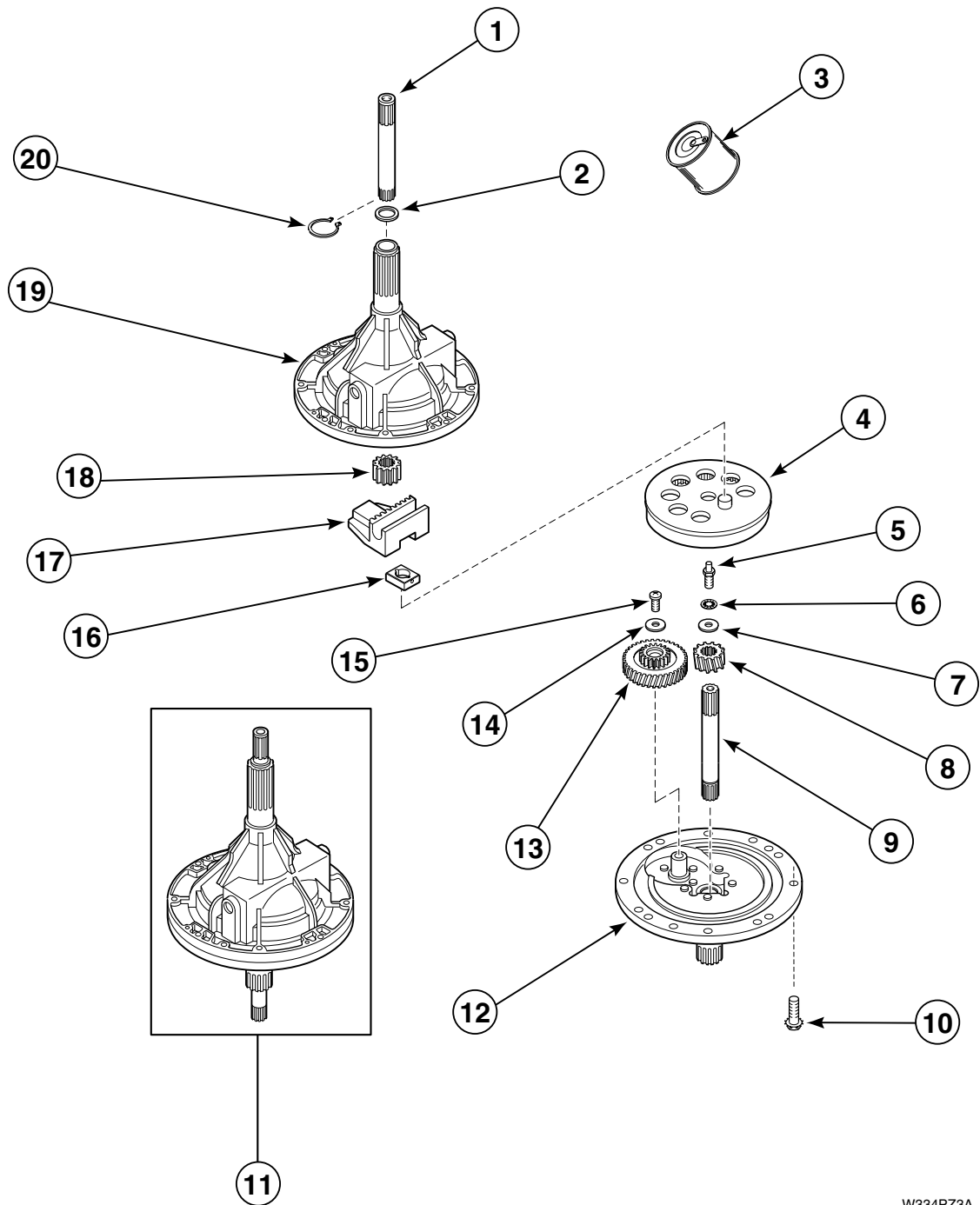
W333PZ3A

Weldment and Bearing Assembly, Brake and Pulley

REF	PART #	DESCRIPTION	COMMENTS
1	39253	Weldment and Bearing Assembly	Tall tub; Includes 28944R Bering; Models LWS16A*, LWS17A* and LWS55A*
	39254	Weldment and Bearing Assembly	Short tub; Includes 28944R Bearing; All models except LWS16A*, LWS17A* and LWS55A*
2	38505P	Brake	
3	735P3	Brake Pad Kit	Includes three pads
4	39739	Screw	
5	35535	Washer	Thin
6	27015	Washer	Thick
7	38007	Pulley Assembly	
8	26509	Washer	
9	27220	Screw	
10	38008	Helix	
11	28944R	Bearing	

* Add Letter To Designate Color. L – Almond W – White

38826P Transmission Assembly

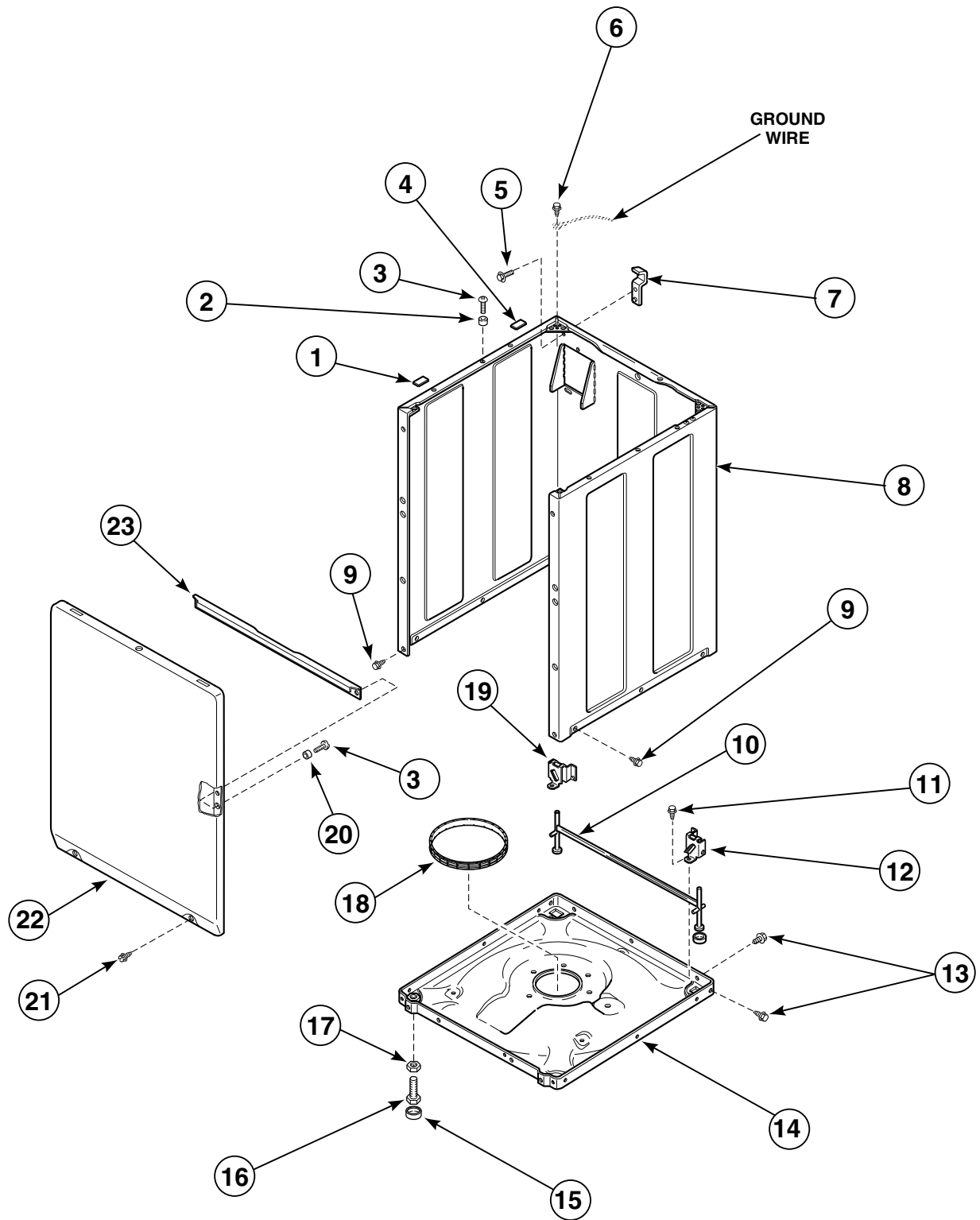


W334PZ3A

38826P Transmission Assembly

REF	PART #	DESCRIPTION	COMMENTS
	37577P	Sealant	Use between transmission case and cover
1	36570	Output Shaft	
2	35092	Washer	
3	27243P	Transmission Oil	1 fill
4	26577	Internal Gear	
5	27030	Special Screw	
6	21456	Lockwasher	
7	26509	Washer	
8	37406	Drive Pinion	
9	38268	Input Shaft	
10	32814	Screw	
11	38826P	Transmission Assembly	
12	37471	Transmission Cover	
13	37403	Reduction Gear	
14	29260	Washer	
15	29273	Screw	
16	26493	Slide	
17	31526	Rack	
18	27003	Agitator Pinion	
19	33223	Transmission Case Assembly	
20	27197	Retainer Ring	

Front Panel, Base and Cabinet



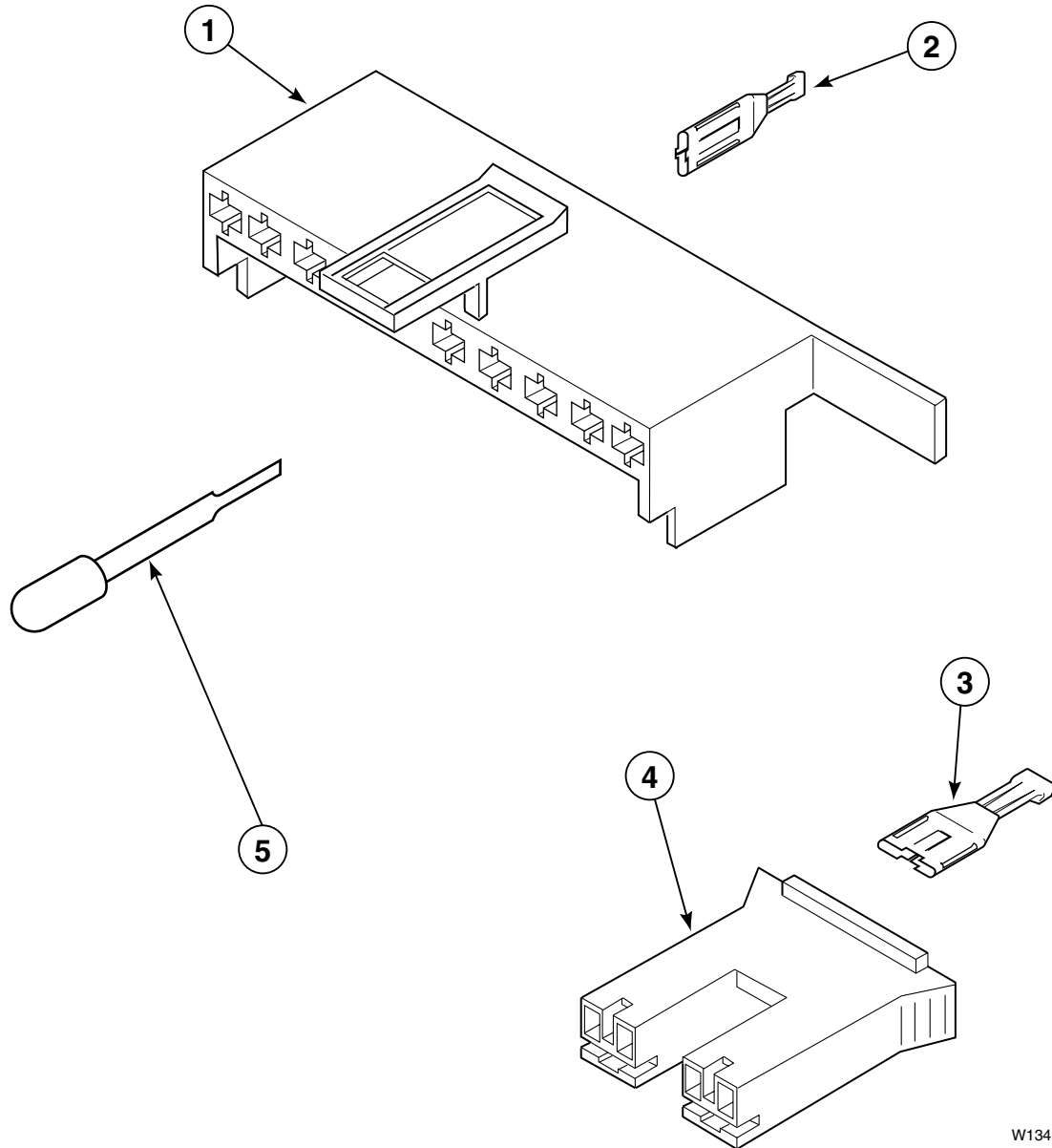
W335PZ3A

Front Panel, Base and Cabinet

REF	PART #	DESCRIPTION	COMMENTS
1	56128	Bumper Pad	
2	56079	Panel Locator	
3	32671	Screw	
4	36226	Bumper Pad	
5	51780	Screw	
6	52909	Screw	
7	27103	Hinge	
8	38612*P	Cabinet	
9	27196	Screw	
10	34443	Leveling Leg and Stabilizer Bar	
11	35148	Screw	
12	36036	Bracket	Right
13	35148	Screw	
14	39788	Base	
15	34318	Rubber Foot	
16	34319	Leveling Leg	
17	21899	Locknut	
18	37937	Friction Ring	
19	36037	Bracket	Left
20	28102	Panel Locator	
21	38272	Screw	
22	38335*P	Front Panel	
23	35097	Brace	

* Add Letter To Designate Color. L – Almond W – White

Mixing Valve and Motor Connection Blocks, Terminals and Extractor Tool



W134PZ3A

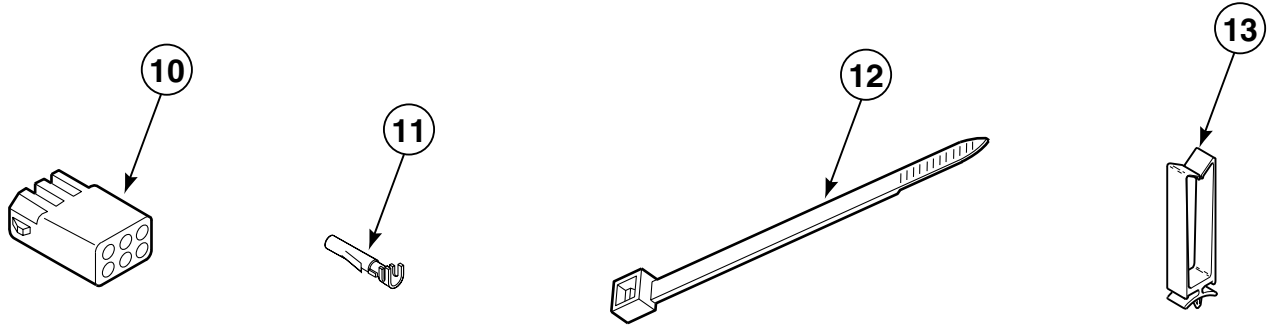
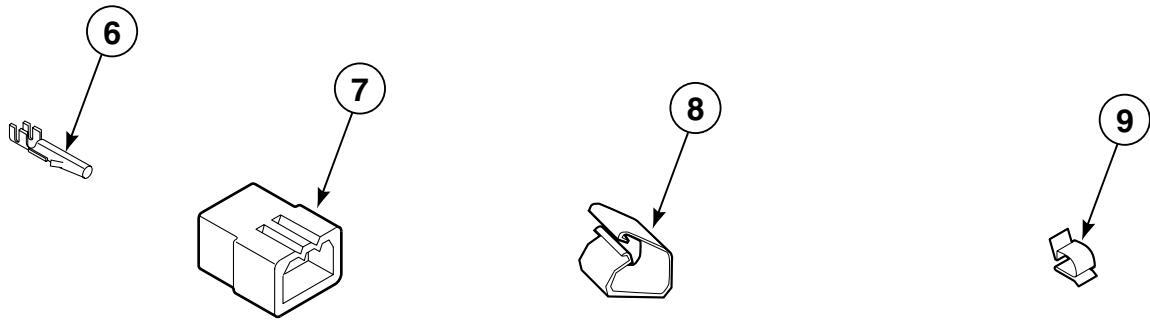
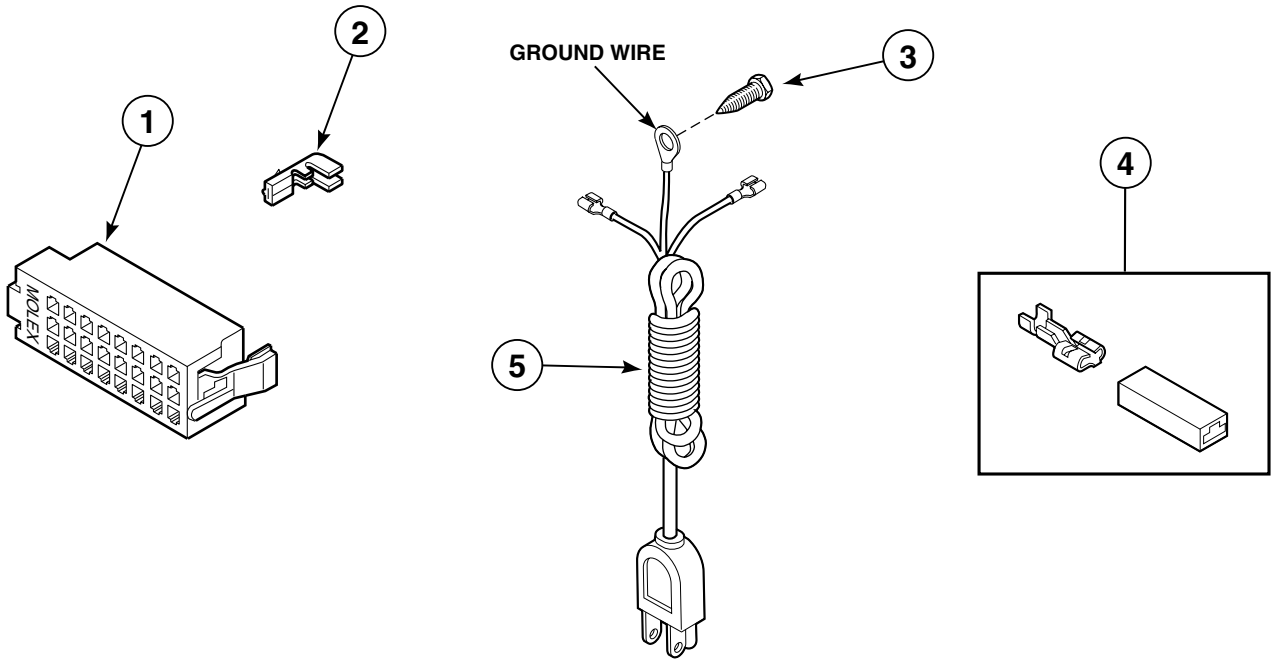
Mixing Valve and Motor Connection Blocks, Terminals and Extractor Tool

REF	PART #	DESCRIPTION	COMMENTS
	38627	Hood Harness	Model LWS55A*
	38651	Hood Harness	Model LWS34A*
	38657	Hood Harness	Models LWS01A*, LWS04A*, LWS16A* and LWS17A*
	38772	Base Harness	Models LWS01A*, LWS04A*, LWS16A* and LWS17A*
	38660	Base Harness	Models LWS34A* and LWS55A*; N/A
1	34677	Molex Housing	Motor
2	00188	Molex Terminal	For one or two wire application
3	00121	Space Terminal	1/4 inch
4	34675	Amp Housing	Mixing valve; Natural
	34676	Amp Housing	Mixing valve; Red
5	283P4	Terminal Extractor Tool	

* Add Letter To Designate Color. L – Almond W – White

N/A = Part no longer available

Power Cord and Terminals

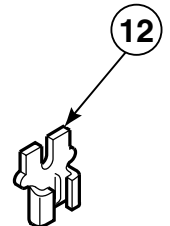
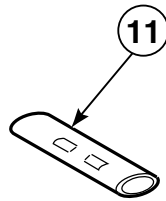
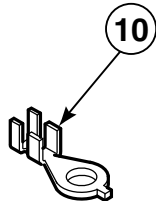
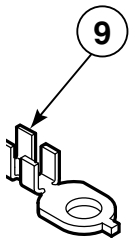
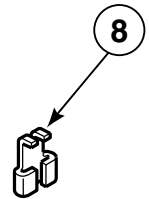
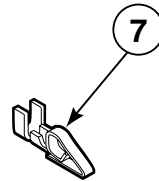
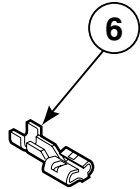
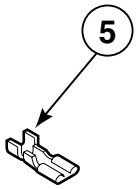
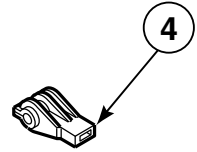
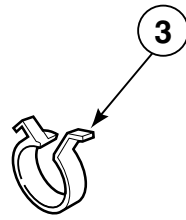
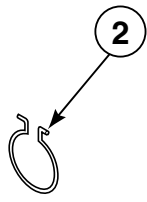
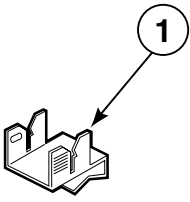


W245PZ3A

Power Cord and Terminals

REF	PART #	DESCRIPTION	COMMENTS
1	32746	Molex Housing	Right
	34123	Molex Housing	Left
2	00188	Molex Terminal	Used for one or two wire application
3	52909	Screw	
4	00234	Terminal and Housing Assembly	
5	34458	Power Cord	
6	00116	Terminal	Male
7	23033	Terminal Block Plug	9 circuit
	23041	Terminal Block Plug	6 circuit
	26302	Terminal Block Plug	1 circuit
8	35521	Harness Clip	
9	21036	Cable Clip	
10	26163	Terminal Block Receptacle	9 circuit
	26301	Terminal Block Receptacle	1 circuit
	26708	Terminal Block Receptacle	6 circuit
11	00117	Terminal	Female
12	55881	Harness Strap	
13	36274	Harness Clip	

Terminals

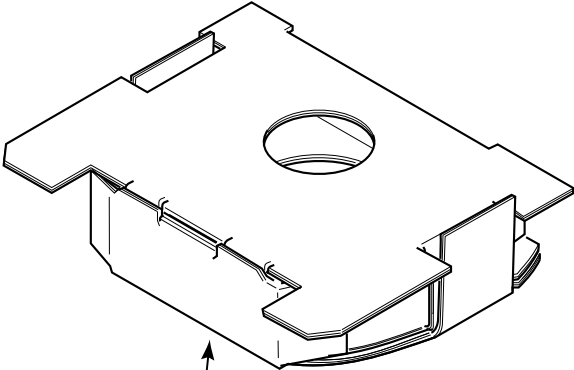


W248PZ3A

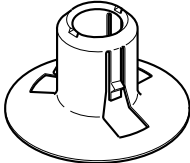
Terminals

REF	PART #	DESCRIPTION	COMMENTS
1	00161	Ground Clip	
2	51291	Wire Clip	
3	504034	Wire Clip	
4	70210	Plastic Insulator	
5	00112	Spade Terminal	Small spade
6	00223	Spade Terminal	Large spade
7	00220	Spade Terminal	Female – 1/4 inch
8	00120	Right Angle	Flag terminal
9	00113	Eyelet Terminal	1/4 inch ring
10	00110	Eyelet Terminal	Small shank
11	21091	Connector	Two 1/4 inch male spades
12	29673	Double Connector	

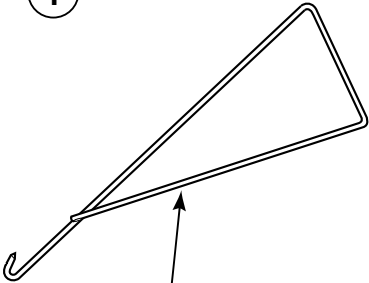
Special Tools



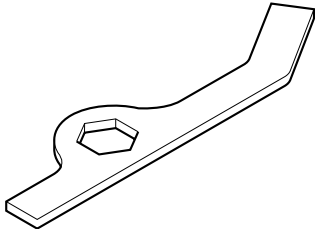
1



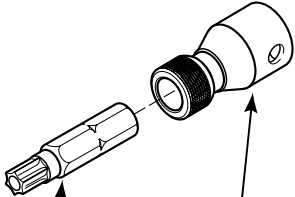
2



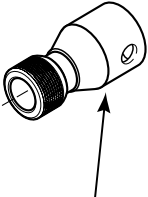
3



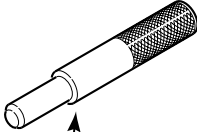
4



5



6



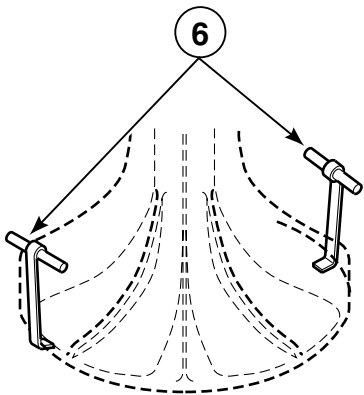
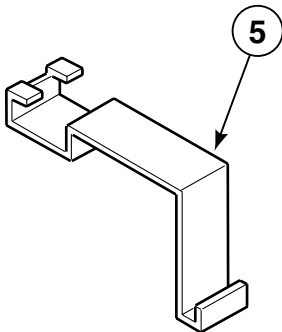
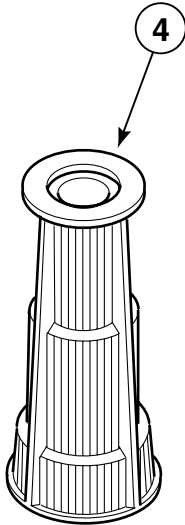
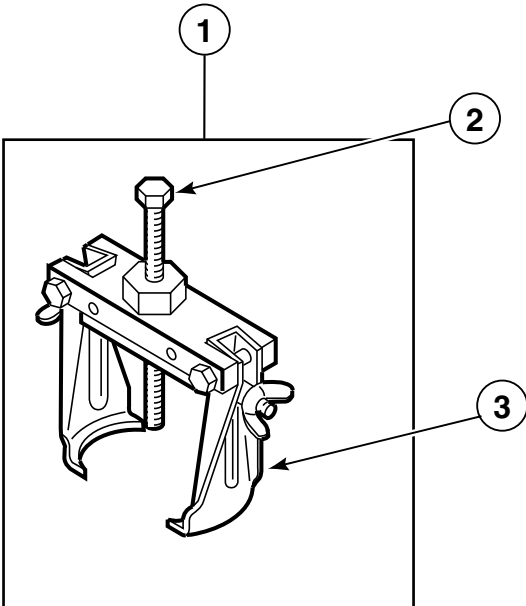
7

W339PZ3A

Special Tools

REF	PART #	DESCRIPTION	COMMENTS
	725P3	Tool Kit	Includes Part No.'s 306P4, 242P4, 254P4P, 273P4 and 293P4 tools
1	39365	Washer Shipping Brace	Install whenever moving washer; Remove before use
2	38149	Shipping Plug	Install before moving washer to prevent tub from damaging cabinet
3	321P4	Spring Hook	For removal of centering springs from outer tub
4	306P4	Hex Wrench	For removal of locknut from washtub hub
5	282P4	T25 Tamper Resistant Bit	For removal and installation of pump attaching screws
6	24161	Torx Bit Holder	3/8 inch drive
7	305P4	Transmission Pin Tool	2 required; Use pin tools in place of dowel pins when reassembling transmission cover and case.

Special Tools



W310PZ3C

Special Tools

REF	PART #	DESCRIPTION	COMMENTS
1	294P4	Bell Tool	For removal and installation of drive bell to transmission shaft.
2	294P4B	Drive Bell Bolt	Use to update 253P4 Bell Tool
3	294P4A	Drive Bell Arms	Use to update 253P4 Bell Tool
4	293P4	Seal Tool	For installation of 36425 Seal
5	273P4	Outer Tub Cover and Gasket Tool	Use to remove 36025P Outer Tub Cover from outer tub and to install 32857 Gasket in outer tub cover.
6	254P4P	Agitator Hooks	Set of 2; Use to remove agitator from drive bell

Wire Harnesses and Wires

Individual wires are not available separately. Order complete wire harness, or order wire by the foot. See chart at bottom of page.

MODEL NUMBER	BASE WIRE HARNESS PART NUMBER	HOOD WIRE HARNESS PART NUMBER
LWS01A*, LWS04A*, LWS16A* and LWS17A*	38772	38657
LWS34A*	38660	38651
LWS55A*	38660	38627

* Add Letter To Designate Color. L – Almond W – White

Order the individual wire color and gauge by the part number listed below. Order wire by the foot and terminals and connectors as required. It is recommended when applying terminals to wires that the terminals be soldered to the wires.

IMPORTANT: Always replace wires with proper gauge.

PART NUMBER	WIRE GAUGE	WIRE COLOR
45001	18 Gauge Wire	Black
45380	12 Gauge Wire	Orange

Production Literature

Part numbers do not include revision levels.

MODEL NUMBER	OPERATION PART NUMBER	USE AND CARE PART NUMBER	INSTALLATION PART NUMBER
LWS01A*	39088	39091	N/A
LWS04A*	N/A	N/A	N/A
LWS16A*	39057	N/A	N/A
LWS17A*	39056	N/A	N/A
LWS34A*	N/A	N/A	N/A
LWS55A*	N/A	N/A	N/A

* Add Letter To Designate Color. L – Almond W – White

N/A = No Longer Available

Parts Index

A

Actuator Arm	
37630	9
Agitator	
33174	19
33514	17
Agitator Hooks	
254P4P	39
Agitator Pinion	
27003	27
Amp Housing	
34675	31
34676	31

B

Backflow Preventer	
34500	13
Balance Ring	
39835	19
39837	17, 19
Base	
39788	29
Base Harness	
38660	31
38772	31
Beaded Tie-Down Strap	
33489	23
Bearing	
28944R	25
Bearing Housing Assembly	
27182	21
Bell Tool	
294P4	39
Belt	
37820	15
Bleach Dispenser	
38382	11
Brace	
35097	29
Bracket	
36036	29
36037	29
Brake	
38505P	25
Brake Pad Kit	
735P3	25
Bumper	
21685	11
Bumper Pad	
36226	29
56128	29
Bushing	
33446	11

C

Cabinet	
38612*P	11, 29
Cabinet Top	
37992*P	11
Cable Clip	
21036	33
Cap Screw	
27202	17, 19
36991	21
Clip	
21036	21
36519	11
36985	21
38271	11
Connector	
21091	35
Control Hood Rear Panel	
37782	11
Control Knob	
33688	5, 7
Control Mounting Plate	
38171	5, 7
Counterweight	
38769	21

D

Double Connector	
29673	35
Drain Hose	
39893	23
Drain Hose Sleeve	
33615	23
Drain Hose Strain Relief	
32219	23
Drive Bell and Seal Kit	
39508P	17, 19
Drive Bell Arms	
294P4A	39
Drive Bell Bolt	
294P4B	39
Drive Pinion	
37406	27

E

18 Gauge Wire	
45001	40
End Cap	
504009*	5, 7
End Cap Right	
504008*	5, 7
Eyelet Terminal	
00110	35
00113	35

F

Fabric Softener Dispenser	
36542	19
Filler Hose	
38155	13
Filter Washer	
28605	13
Friction Ring	
37937	29
Front Panel	
38335*P	11, 29

G

Gasket	
28094	17, 19
38359	21
39122	17
Graphic Panel	
38830W	7
38831*	5
38832*	5
38887*	5
Grommet	
29175	21
Ground Clip	
00161	5, 7, 35

H

Harness Clip	
35521	33
36274	33
Harness Strap	
55881	33
Helix	
38008	25
Hex Wrench	
306P4	37
Hinge	
27103	29
36437	11
36513	11
Hold-Down Clip	
35358	5, 7, 11
Hood Harness	
38627	31
38651	31
38657	31
Hose Clamp	
29210	13
36801	13
36802	23
39282	21
Hose Retainer Clip	
36014	23
Hose Support	
38732	23
Hose Washer	
20290	13

Hub and Seal Kit	
495P3	17
646P3	19

I

Idler Lever	
38011	15
Idler Lever Spring	
39666	15
Idler Pulley	
38225	15
Idler Shaft	
56461	15
Inlet Hose	
20617	13
20618	13
28330P	13
Inlet Screen	
F270200	13
Input Shaft	
38268	27
Internal Gear	
26577	27

L

Leg Plate	
27926	21
Leveling Leg	
34319	29
Leveling Leg and Stabilizer Bar	
34443	29
Lint Filter	
39371	19
Loading Door	
39937*P	11
Locknut	
21899	29
28803	15
29220	17, 19
52566	15
Lockwasher	
21456	27

M

Mixing Valve	
38495	13
Mixing Valve Mounting Bracket	
39407	13
Module Spring	
37575	21
37576	21
Molex Housing	
32746	33
34123	33
34677	31
Molex Terminal	
00188	31, 33

Motor		
37819	15
38036	15
Motor Mount		
38395	15
38396	15
Motor Mount Post		
38325	15
Motor Mounting Bracket		
37445	15
Motor Shield		
34754	15
Motor Switch		
35632	15

N

Nut		
35423	15

O

O-Ring		
36472	17, 19
Outer Tub		
37813P	21
37981P	21
Outer Tub Cover		
37502	21
38379	21
Outer Tub Cover and Gasket Tool		
273P4	39
Output Shaft		
36570	27

P

Panel Locator		
28102	29
56079	29
Plastic Insulator		
70210	35
Plug		
36511	17, 19
Power Cord		
34458	33
Pressure Bulb		
30907	21
Pressure Hose		
39125	21
Pressure Switch		
38619	5, 21
38842	5, 21
39023	7, 21
39035	5, 21
Pulley Assembly		
38007	25
Pump Assembly		
36863P	15

R

Rack		
31526	27
Reduction Gear		
37403	27
Retainer Nut		
27222	21
Retainer Ring		
23748	15
27197	27
Right Angle		
00120	35
Rocker Switch		
38424*	7
Roll Pin		
10416	15
Rubber Foot		
34318	29

S

Screw		
L501086	5
23962	5, 7, 9, 11
27196	29
27220	25
29273	27
32671	29
32814	27
33562	11
34337	11
34565	15
34904	5, 7
35148	29
35369	15, 21
36510	9
36639	15
38272	29
39566	21
39739	25
501086	7, 11, 13
503661	13
51780	29
52909	11, 29, 33
Seal		
36425	17, 19
Seal Tool		
293P4	39
Sealant		
37577P	27
Shipping Plug		
38149	37
Shoulder Bolt		
27229	15
Shoulder Screw		
39432	17, 19
Siphon Break Kit		
562P3	23
Slide		
26493	27
Space Terminal		
00121	31

Spade Terminal	
00112	35
00220	35
00223	35
Special Screw	
27030	27
Splined Insert	
29728	17, 19
Spring Hook	
321P4	37
Standpipe Adapter	
36878	23
Sticker	
24903	11
500049	21
Strain Relief	
38384	11
Switch	
33445	9
Switch Holder	
37629	9

T

T25 Tamper Resistant Bit	
282P4	37
Temperature Switch	
35115	5
36335	7
Terminal	
00116	33
00117	33
Terminal and Housing Assembly	
00234	33
Terminal Block Plug	
23033	33
23041	33
26302	33
Terminal Block Receptacle	
26163	33
26301	33
26708	33
Terminal Extractor Tool	
283P4	31
Timer	
37927	5
37929	5
38881	7
Timer Knob	
33898W	5, 7
Timer Knob Skirt	
38841W	5, 7
Tool Kit	
725P3	37
Top Cover	
339905*	5
39905*	7
Torx Bit Holder	
24161	37
Transmission Assembly	
38826P	27
Transmission Case Assembly	
33223	27

Transmission Cover	
37471	27
Transmission Oil	
27243P	27
Transmission Pin Tool	
305P4	37
Tub-to-Pump Hose	
38351	23
12 Gauge Wire	
45380	40

W

Washer	
26509	25, 27
27015	25
29260	27
35092	27
35535	25
37767	21
37772	15
39113	19
52549	15
81392	15
Washer Shipping Brace	
39365	37
Washtub	
34521P	19
39252P	17
39387P	19
719P3	19
Water Inlet Channel	
39079	21
Weldment and Bearing Assembly	
39253	25
39254	25
Wire Clip	
504034	35
51291	35
Wire Harness	
38627	40
38651	40
38657	40
38660	40
38772	40