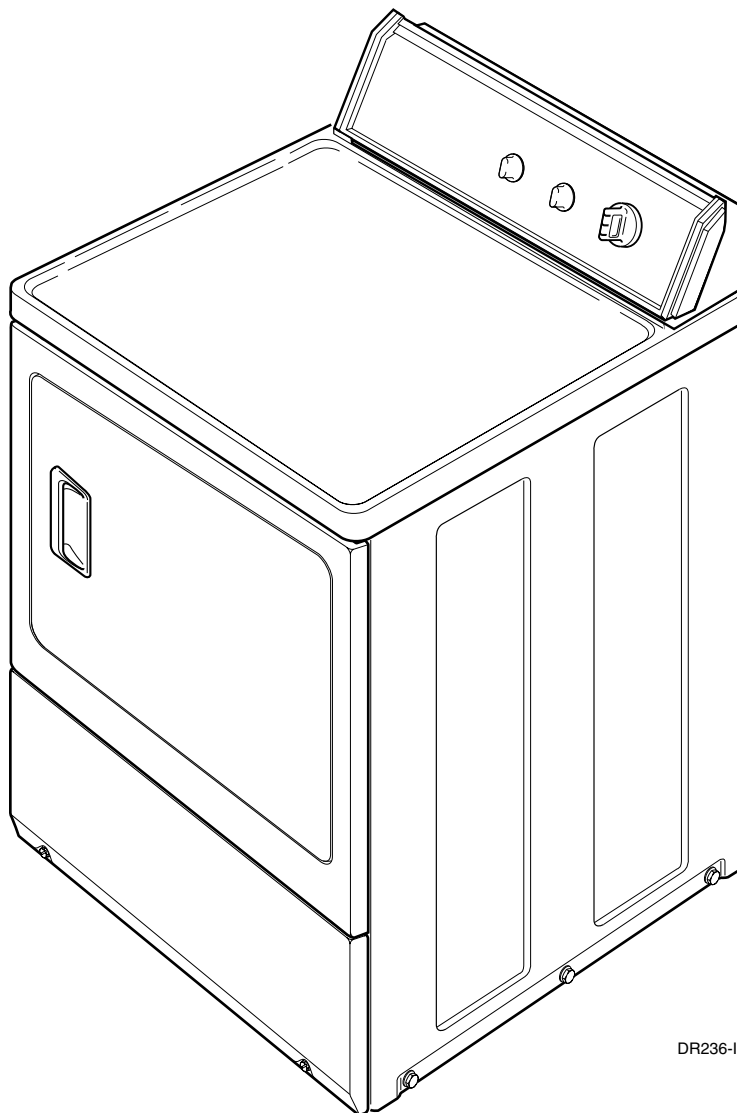


Automatic Dryers

Refer to Page 3 for Model Numbers



DR236-IN

Table of Contents

Title	Page
Parts Ordering Information	2
Nameplate Location	2
Model Identification	3
Graphic Panel, Control Hood and Controls	4
Graphic Panel, Control Hood and Controls	6
Graphic Panel, Control Hood and Controls	8
Graphic Panel, Control Hood and Controls	10
Cabinet Top and Control Hood Rear Panel	12
Loading Door	14
Lower Access Panel, Front Panel and Seal	16
Motor, Exhaust Fan and Belt	18
Front Bulkhead, Air Duct, Felt Seal and Cylinder	20
Rear Bulkhead, Felt Seal, Cylinder Roller and Terminal Block	22
Heater Box Assembly Originally on Dryer	24
Heater Box Assembly Originally on Dryer	26
Heater Box Assembly Replacement	28
Gas Valve and Igniter	30
Cabinet, Exhaust Duct and Base	32
Power Cords	34
Terminals	36
Motor Connection Block, Terminals and Terminal Extractor Tools	38
Wire Harnesses and Wires	40
Gas Burner Conversion Kits	40
Parts Index	41

© Copyright 2000, Alliance Laundry Systems LLC

All rights reserved. No part of the contents of this book may be reproduced or transmitted in any form or by any means without the expressed written consent of the publisher.

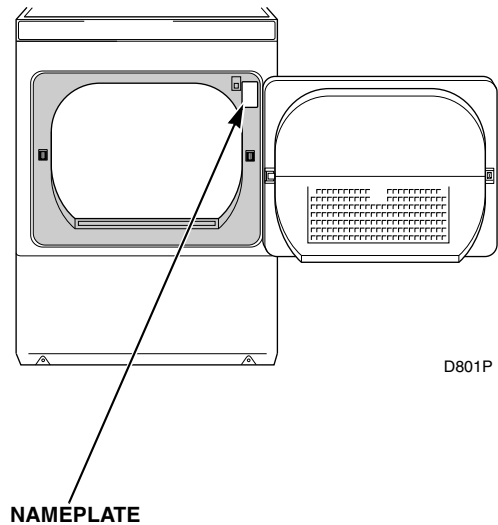
Parts Ordering Information

If literature or replacement parts are required, contact the source from whom the machine was purchased or contact Alliance Laundry Systems LLC at (920) 748-3950 for the name and address of the nearest authorized parts distributor.

For technical assistance, call (920) 748-3121.

Nameplate Location

When calling or writing about your product, be sure to mention model and serial numbers. Model and serial numbers are located on nameplate(s) as shown.



Model Identification

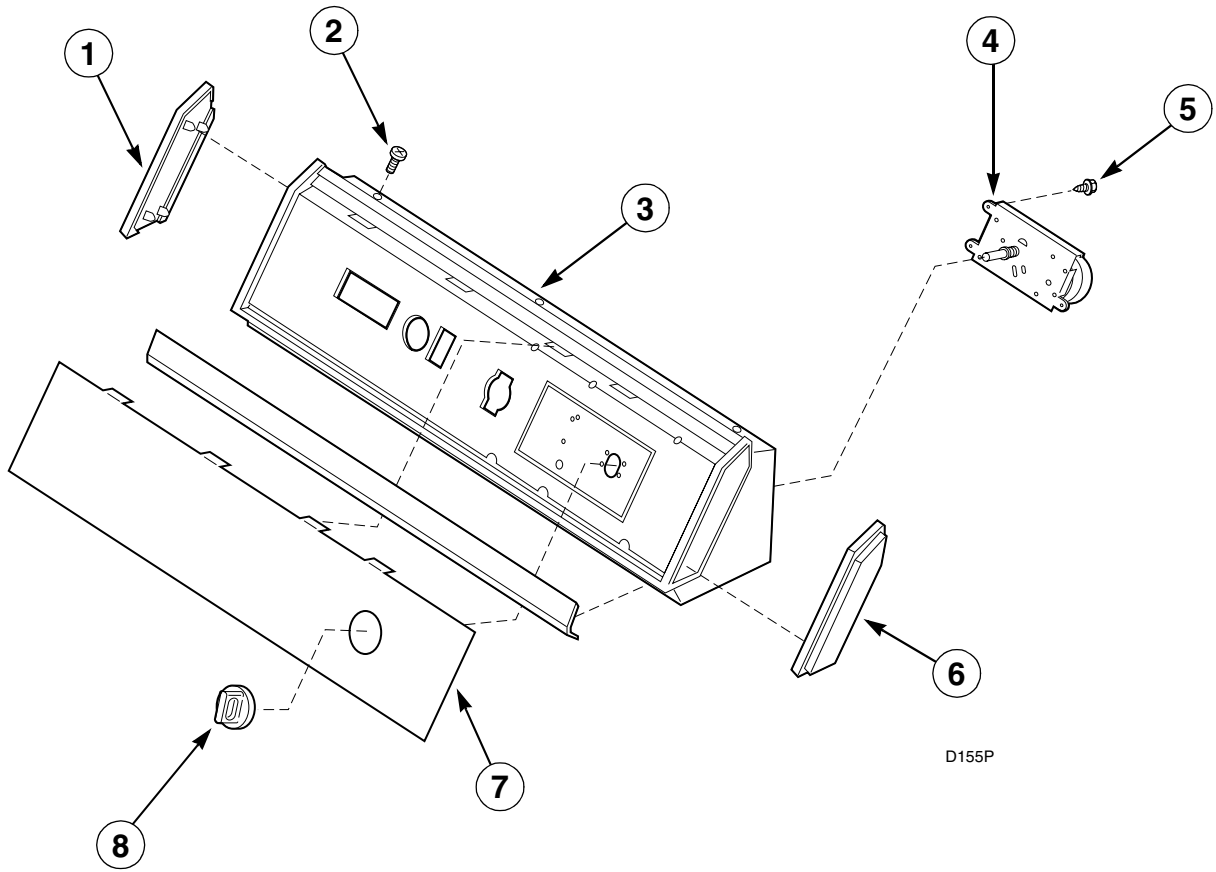
Information in this manual is applicable to these dryer models:

Speed Queen Dryer Models	Timer Models	Cylinder	Electric Heat	Gas Heat
AEM197	X	U.P.	X	
AEM377	X	P.	X	
AEM397	X	P.	X	
AEM407	X	P.	X	
AEM427	X	P.	X	
AEM477	X	P.	X	
AEM497	X	P.	X	
AEM697	X	P.	X	
AGM199	X	U.P.		X
AGM379	X	P.		X
AGM399	X	P.		X
AGM409	X	P.		X
AGM429	X	P.		X
AGM479	X	P.		X
AGM499	X	P.		X
AGM499*299D4	X	P.		X
AGM699	X	P.		X

U.P. Unpainted P. Painted S.S. Stainless Steel

Graphic Panel, Control Hood and Controls

Models AEM197 and AGM199



D155P

Graphic Panel, Control Hood and Controls

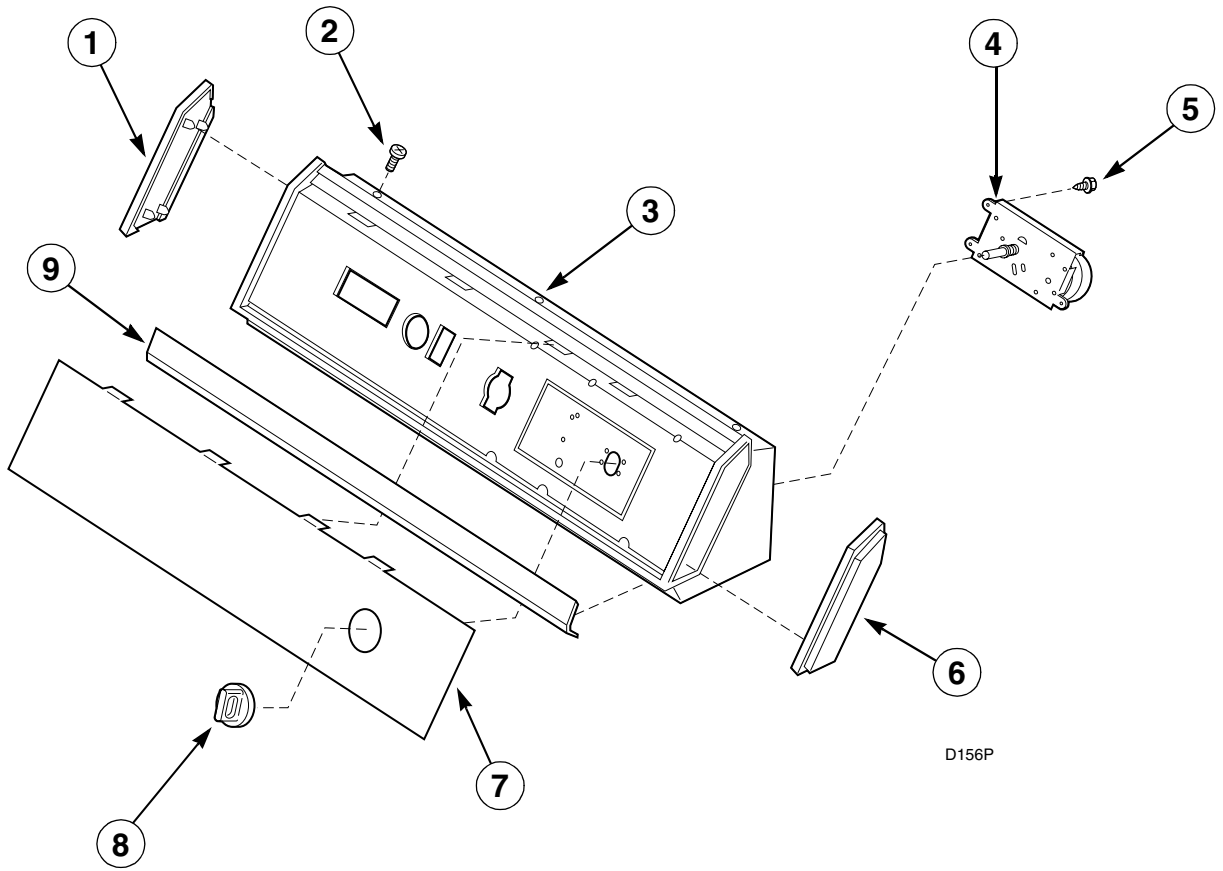
Models AEM197 and AGM199

REF	PART NO.	DESCRIPTION	COMMENTS
1	34460	End Cap	Left; N/A
2	31752	Screw	
3	59937	Control Hood Assembly	N/A
4	59420	Timer	
5	501086	Screw	
6	34459	End Cap	Right
7	501293	Graphic Panel	
8	62176	Timer Knob Assembly	

N/A – Part no longer available

Graphic Panel, Control Hood and Controls

Models AEM397, AGM399, AEM377, AGM379, AEM407, AGM409, AEM427 and AGM429



Graphic Panel, Control Hood and Controls

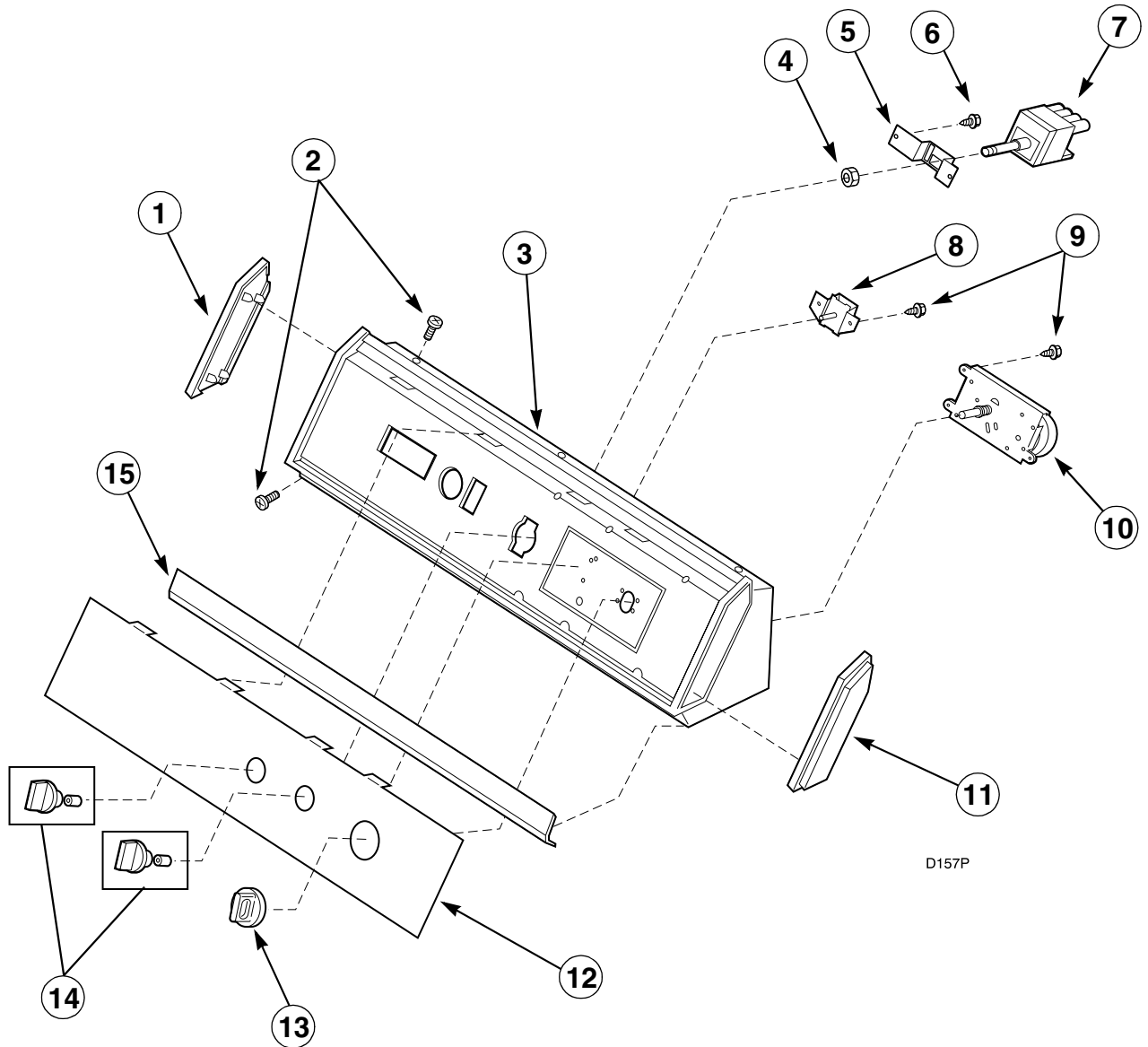
Models AEM397, AGM399, AEM377, AGM379, AEM407, AGM409, AEM427 and AGM429

REF	PART NO.	DESCRIPTION	COMMENTS
1	31249	End Cap	Left
2	32993	Screw	Models AEM377 and AGM379
	31752	Screw	Models AEM407, AGM409, AEM427, AGM429, AEM397 and AGM399
3	62745	Control Hood Assembly	Models AEM377 and AGM379
	59937	Control Hood Assembly	Models AEM407, AGM409, AEM427, AGM429, AEM397 and AGM399; N/A
4	59420	Timer	Models AEM377, AGM379, AEM397 and AGM399
	501881	Timer	Models AEM407, AGM409, AEM427 and AGM429
5	501086	Screw	
6	31248	End Cap	Right
7	500657	Graphic Panel	Models AEM377 and AGM379
	500661	Graphic Panel	Models AEM397 and AGM399
	502125	Graphic Panel	Models AEM427 and AGM429
	502105	Graphic Panel	Models AEM407, AGM409
8	62176	Timer Knob Assembly	Models AEM407, AGM409, AEM427, AGM429, AEM397 and AGM399
	62234	Timer Knob Assembly	Models AEM377 and AGM379
9	61849R	Control Panel Trim	Models AEM427 and AGM429

N/A – Part no longer available

Graphic Panel, Control Hood and Controls

Models AEM497, AGM499, AEM477 and AGM479



Graphic Panel, Control Hood and Controls

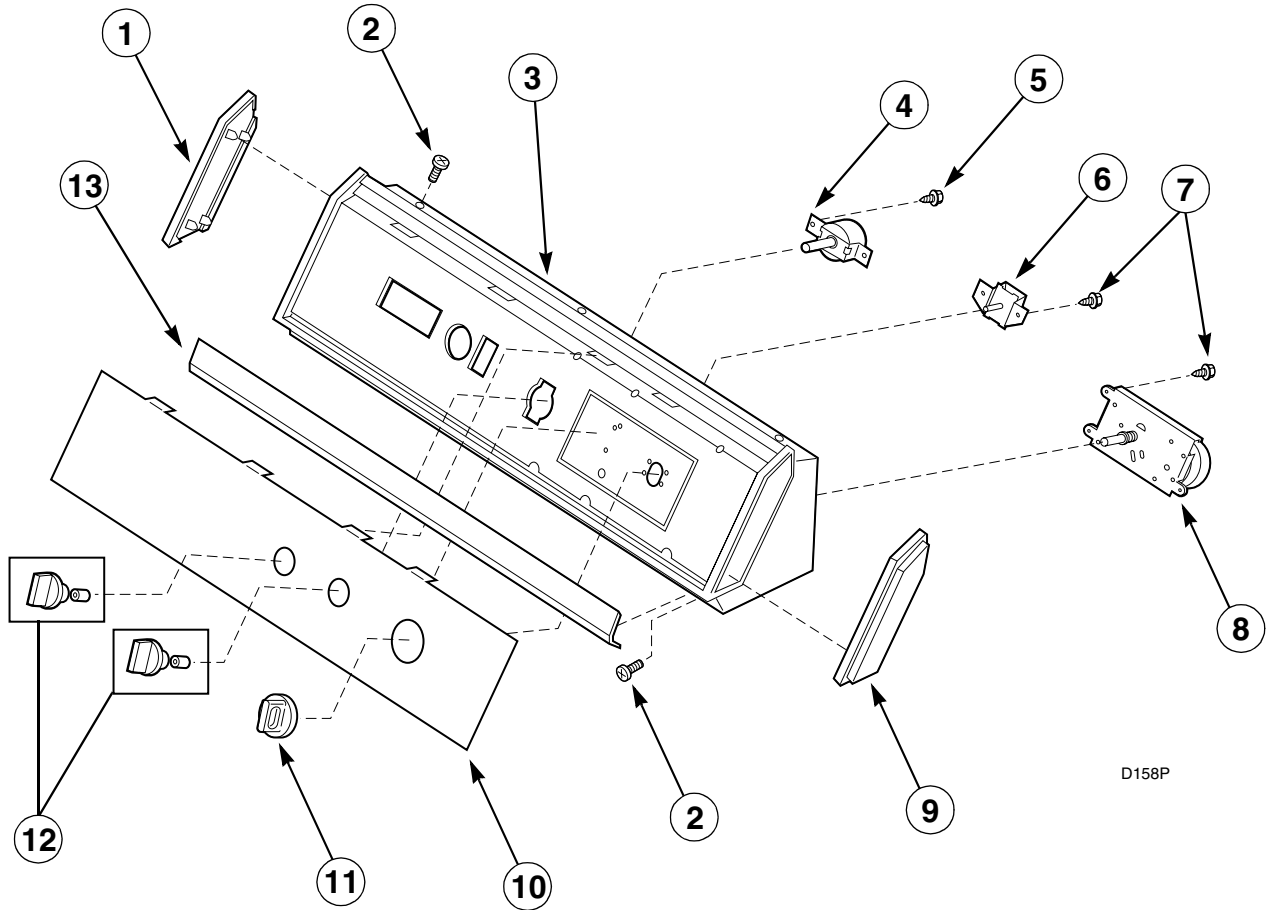
Models AEM497, AGM499, AEM477 and AGM479

REF	PART NO.	DESCRIPTION	COMMENTS
1	31249	End Cap	Left
2	32993	Screw	Models AEM477 and AGM479
	31752	Screw	Model AEM497 and models beginning with AGM499
3	62745	Control Hood Assembly	Models AEM477 and AGM479
	59937	Control Hood Assembly	Model AEM497 and models beginning with AGM499; N/A
4	57584	Nut	
5	59704	Switch Bracket	
6	31260	Screw	
7	61511	Temperature Switch	
8	500823	Signal Control	
9	501086	Screw	
10	502963	Timer	
11	31248	End Cap	Right
12	500656	Graphic Panel	Models AEM477 and AGM479; N/A
	500660	Graphic Panel	Model AEM497 and models beginning with AGM499; N/A
	502201	Graphic Panel	Model AGM499*299D4; N/A
13	62176	Timer Knob Assembly	Model AEM497 and models beginning with AGM499; Black
	62234	Timer Knob Assembly	Models AEM477 and AGM479; White
14	33610	Control Knob Assembly	Model AEM497 and models beginning with AGM499; Black
	33688	Control Knob Assembly	Models AEM477 and AGM479; White
15	61849R	Trim Strip	

N/A – Part no longer available

Graphic Panel, Control Hood and Controls

Models AEM697 and AGM699



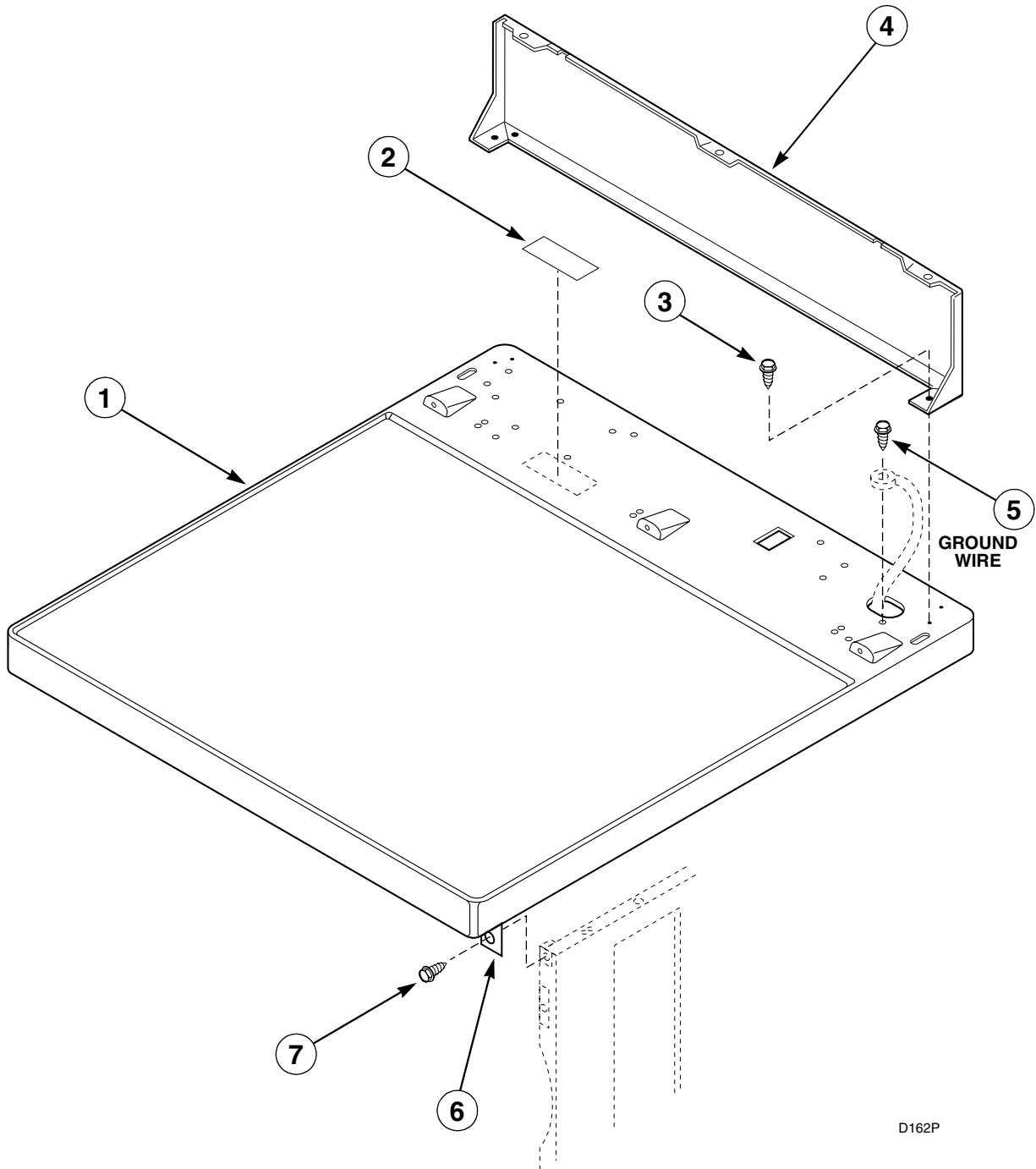
Graphic Panel, Control Hood and Controls

Models AEM697 and AGM699

REF	PART NO.	DESCRIPTION	COMMENTS
1	31249	End Cap	Left
2	31752	Screw	
3	59937	Control Hood Assembly	N/A
4	62173	Temperature Switch	N/A
5	31260	Screw	
6	500823	Signal Control	
7	501086	Screw	
8	502967	Timer	
9	31248	End Cap	Right
10	500659	Graphic Panel	
11	62176	Timer Knob Assembly	
12	33610	Control Knob Assembly	
13	61849R	Trim Strip	

N/A – Part no longer available

Cabinet Top and Control Hood Rear Panel



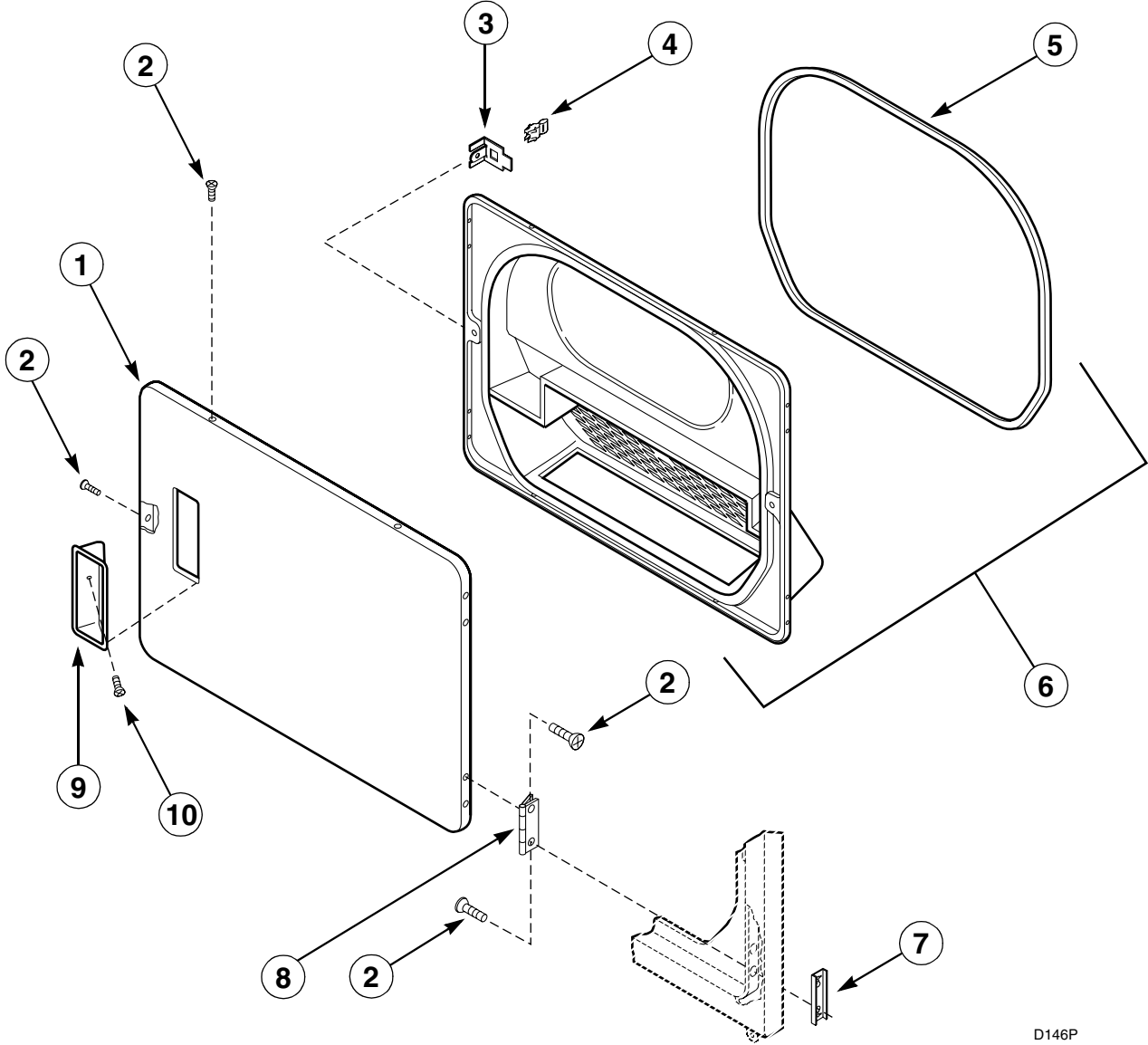
D162P

Cabinet Top and Control Hood Rear Panel

REF	PART NO.	DESCRIPTION	COMMENTS
1	510029*P	Cabinet Top	Includes (2) item 6
2	24903	Sticker	
3	501086	Screw	
4	510099	Control Hood Rear Panel	
5	20530	Screw	
6	510297	Hold-Down Bracket	
7	33562	Screw	

* Add letter to designate color: L - Almond W - White

Loading Door



D146P

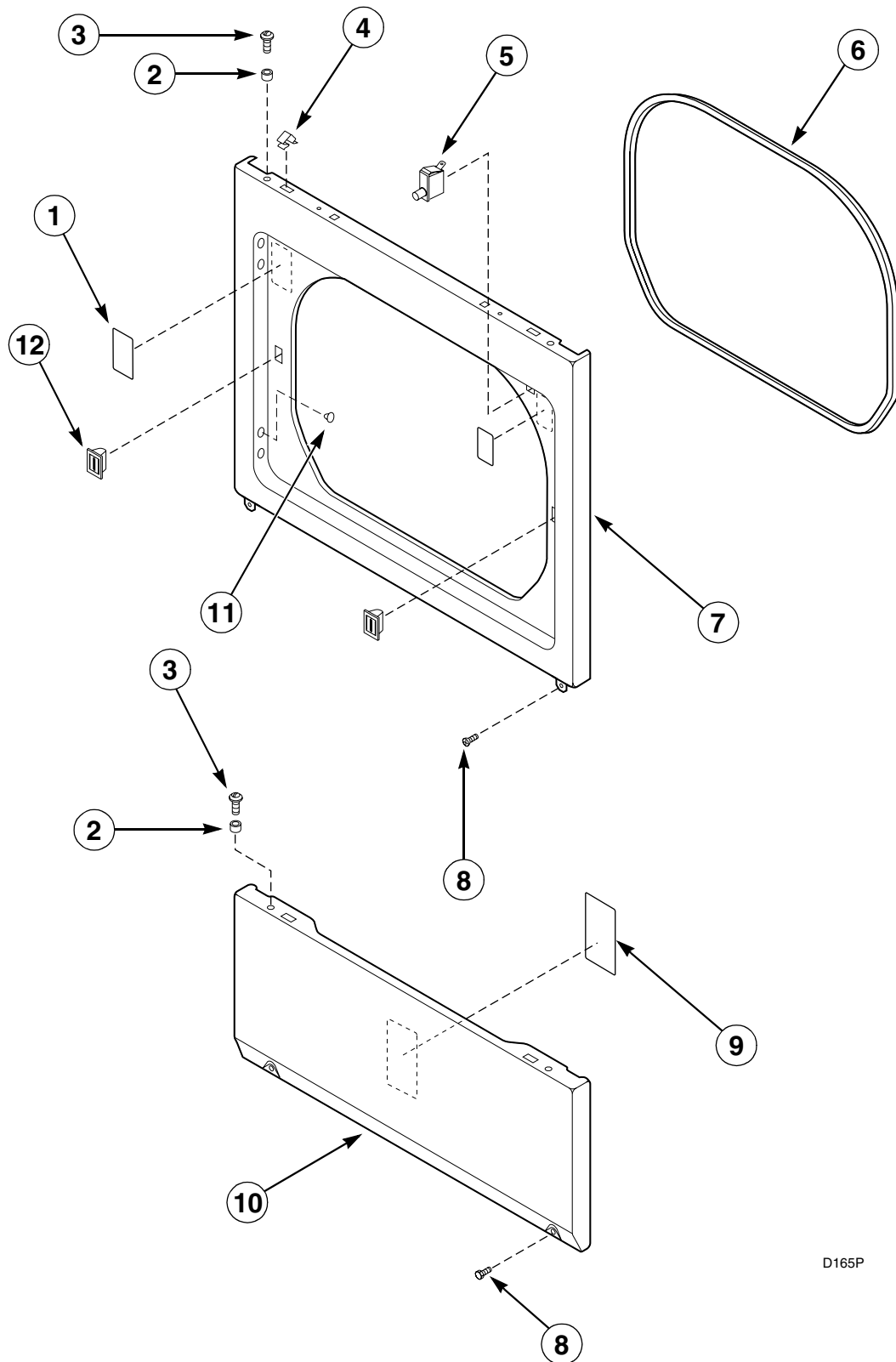
Loading Door

REF	PART NO.	DESCRIPTION	COMMENTS
1	500040*	Outer Door Panel	
2	500226	Screw	
3	510127	Door Striker Bracket	
4	510181	Door Striker	
5	500200	Door Seal	
6	500199	Inner Door Panel and Seal	
7	500236	Door Hinge Mounting Clip	
8	510519	Door Hinge	
9	500042W	Door Pull	
10	500297	Screw	

* Add letter to designate color: **L - Almond** **W - White**

N/A – Part no longer available

Lower Access Panel, Front Panel and Seal



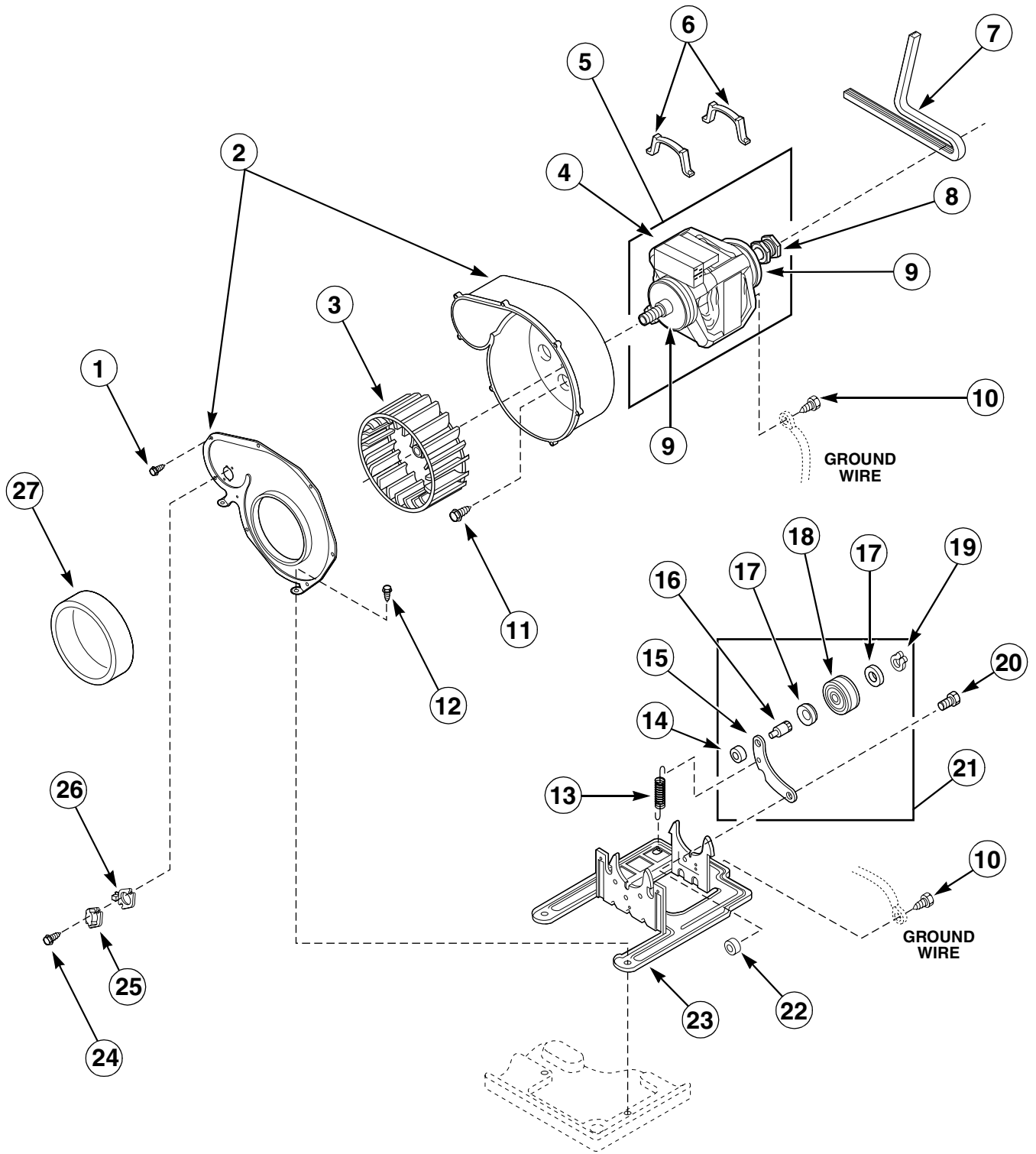
D165P

Lower Access Panel, Front Panel and Seal

REF	PART NO.	DESCRIPTION	COMMENTS
1	500281	Sticker	
2	56079	Guide Lug	
3	32671	Screw	
4	28835	Hold-Down Clip	
5	504570	Door Switch	
6	500034	Front Panel Seal	
7	500033*	Front Panel	
8	33562	Screw	
9	511004	Sticker	Gas models
10	510069*	Lower Access Panel	
11	505870	Screw	
12	510177	Door Catch	

* Add letter to designate color: **L - Almond** **W - White**

Motor, Exhaust Fan and Belt



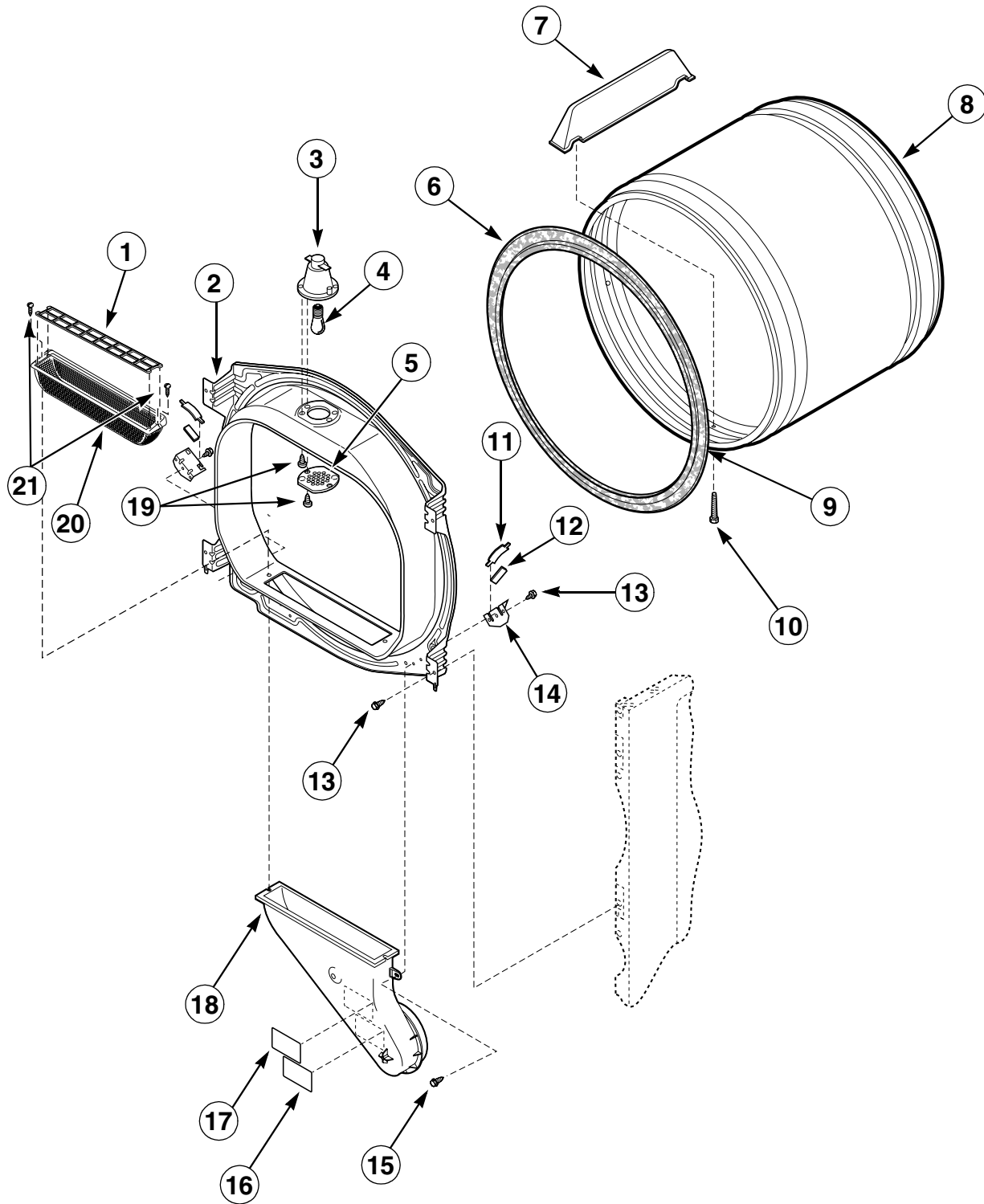
D132P

Motor, Exhaust Fan and Belt

REF	PART NO.	DESCRIPTION	COMMENTS
1	31260	Screw	
2	510138P	Exhaust Fan Cover and Housing	
3	510139	Exhaust Fan Impeller	
4	501218	Motor Switch	
5	510508P	Motor Assembly	
6	510180	Motor Clip	
7	510178	Belt	
8	500011	Motor Pulley	
9	58044A	Motor Locking Mount	N/A
10	20530	Screw	
11	503601	Screw	
12	33562	Screw	
13	510185	Spring	
14	56156	Locknut	
15	500910	Idler Lever	
16	56461	Shaft	
17	52549	Washer	
18	510142	Idler Pulley	
19	23748	Retainer Ring	
20	500824	Shoulder Screw	
21	510158	Idler Pulley and Lever Assembly	
22	52566	Locknut	
23	510060	Motor Mounting Bracket	
24	23222	Screw	Use with 56410 Thermostat or 59500 Thermistor
	501086	Screw	Use with 61372 Thermostat
25	56410	Thermostat	Models AEM197, AGM199, AEM377, AEM397, AGM399, AEM407 and AGM409
	61372	Thermostat	All other models
26	61401	Thermostat Heater	Use with 61372 Thermostat
27	500313	Seal	

N/A – Part no longer available

Front Bulkhead, Air Duct, Felt Seal and Cylinder



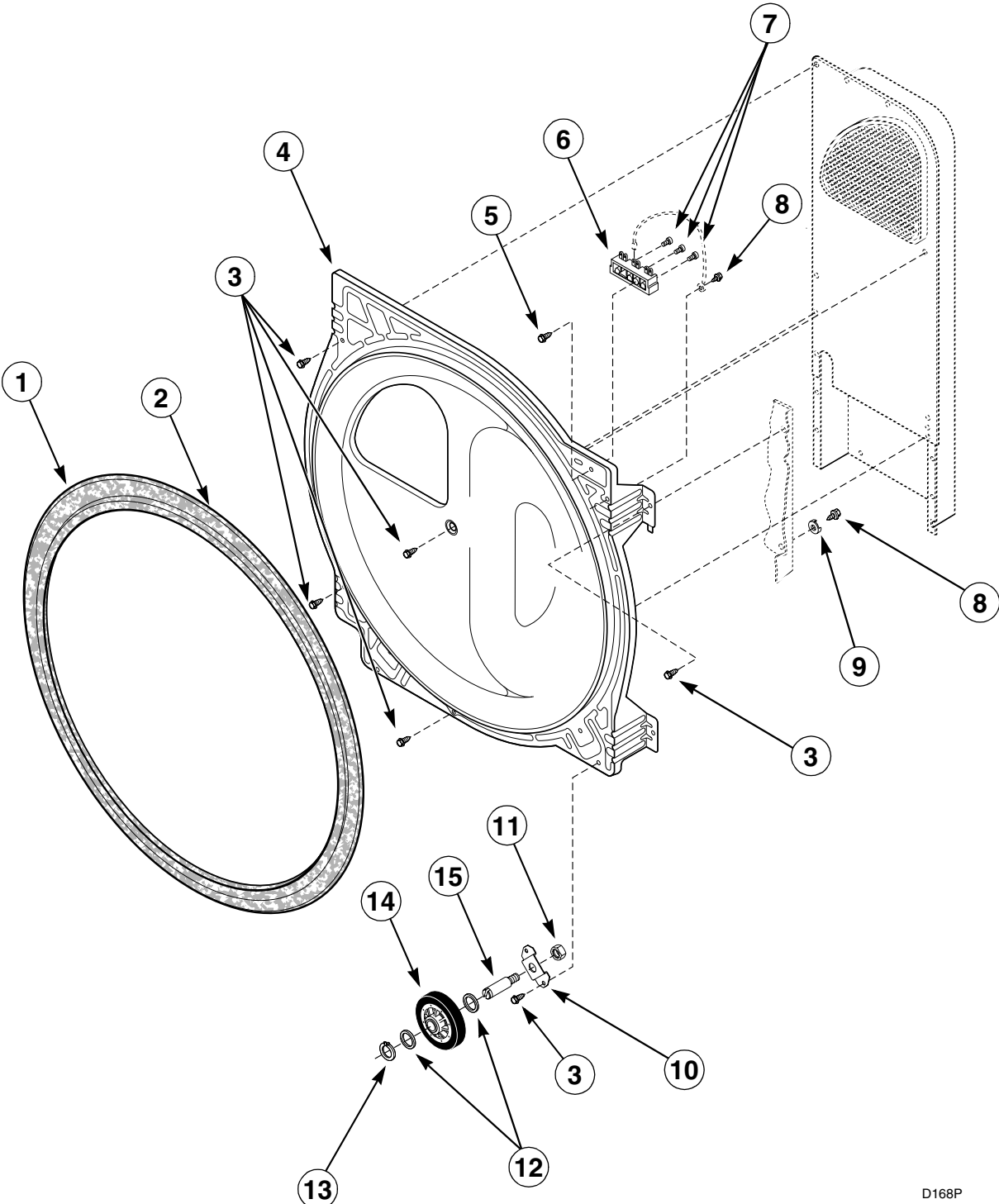
D214P

Front Bulkhead, Air Duct, Felt Seal and Cylinder

REF	PART NO.	DESCRIPTION	COMMENTS
1	502092	Lint Filter Cover	
2	500091P	Front Bulkhead	Includes items 6, 11, 12, 13 and 14; Unpainted
	500016W	Front Bulkhead	Includes items 6, 11, 12, 13 and 14; White for white cylinder with light
	500117W	Front Bulkhead	Includes items 6, 11, 12, 13 and 14; White for white cylinder without light
3	60953P	Cylinder Light Housing	Models AEM697 and AGM699
4	60954	Bulb	
5	500094	Lens	
6	510207P	Cylinder Seal Assembly	
7	510102	Baffle	
8	500095P	Cylinder Assembly	
9	22506P	Adhesive for Cylinder Seal	
10	62588	Screw	
11	510187	Cylinder Glide	1 required per side
12	500121	Felt Pad	
13	503688	Screw	
14	510145	Glide Bracket	
15	31645	Screw	
16	56259	Sticker	N/A
17	500049	Sticker	
18	502231	Air Duct	
19	500227	Screw	
20	502140P	Lint Filter	
21	500226	Screw	

N/A – Part no longer available

Rear Bulkhead, Felt Seal, Cylinder Roller and Terminal Block



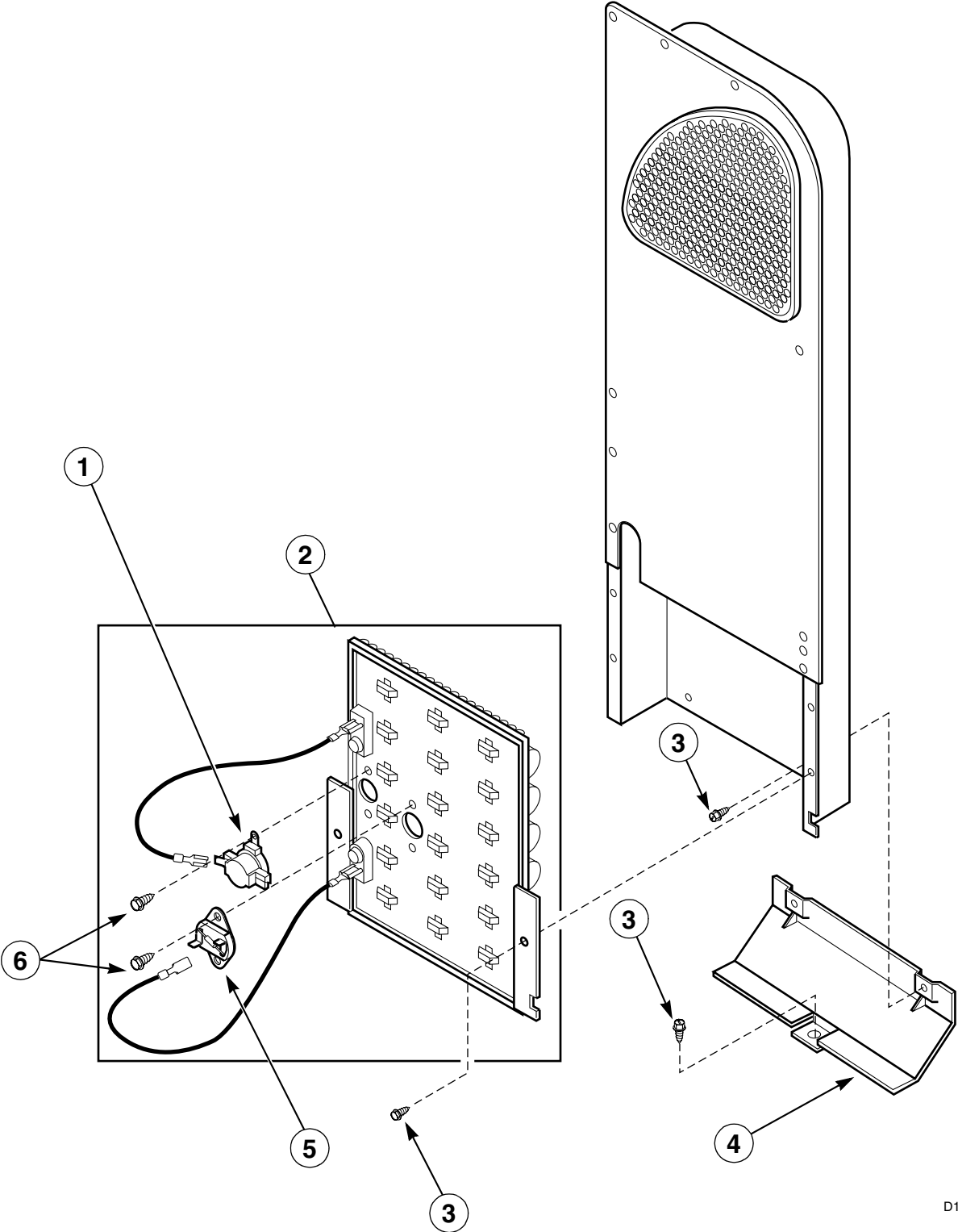
D168P

Rear Bulkhead, Felt Seal, Cylinder Roller and Terminal Block

REF	PART NO.	DESCRIPTION	COMMENTS
1	510207P	Cylinder Seal	
2	22506P	Adhesive for Cylinder Seal	
3	503688	Screw	
4	511082	Rear Bulkhead	Includes item 1; Models AEM197, AGM199 and AGM499*299D4
	510905W	Rear Bulkhead	Includes item 1; All other models
5	501285	Screw	
6	510190P	Terminal Block	Includes (3) item 7; Electric models
7	61199	Screw	
8	20530	Screw	
9	51474	Cupped Washer	
10	510100	Roller Bracket	
11	56156	Locknut	
12	52549	Washer	
13	23748	Retainer Ring	
14	510708P	Cylinder Roller	
15	56461	Shaft	

Heater Box Assembly Originally on Dryer

Electric Models



D135P

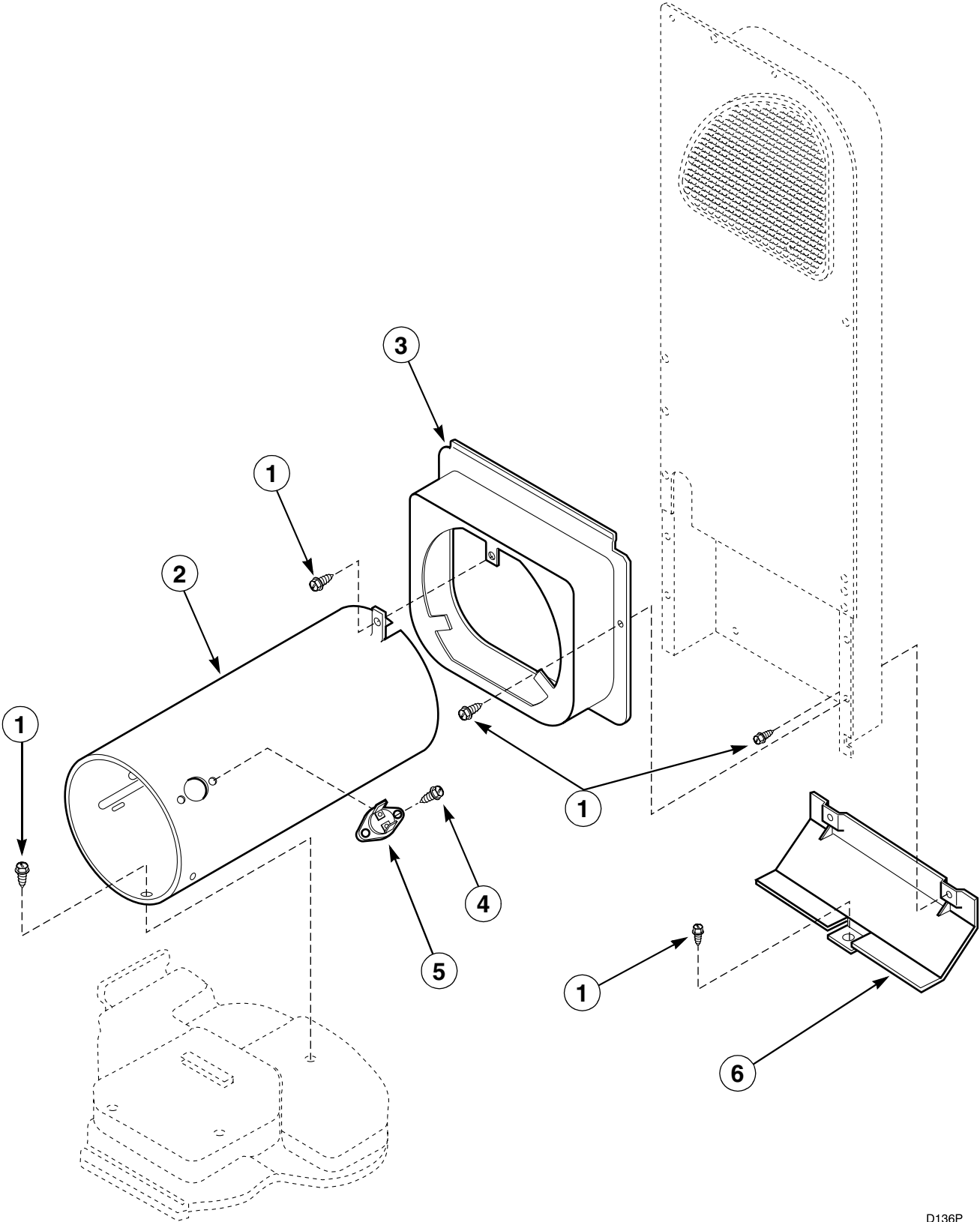
Heater Box Assembly Originally on Dryer

Electric Models

REF	PART NO.	DESCRIPTION	COMMENTS
1	510701	Limit Thermostat	
2	61928	Heater Assembly	208 Volts/4750 Watts; White
	61927	Heater Assembly	240 Volts/5000 Watts; Red
3	503688	Screw	
4	60952	Heat Shield	
5	510183	Thermal Fuse	
6	23222	Screw	

Heater Box Assembly Originally on Dryer

Gas Models



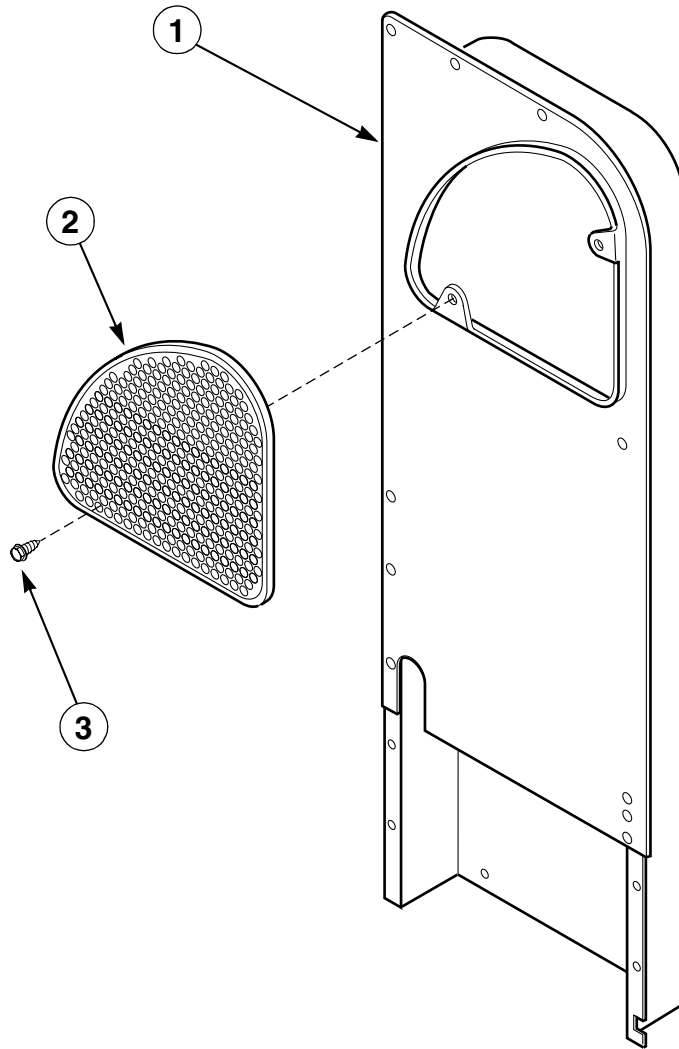
D136P

Heater Box Assembly Originally on Dryer

Gas Models

REF	PART NO.	DESCRIPTION	COMMENTS
1	503688	Screw	
2	61974	Burner Housing	Includes item 5
3	510101	Heat Shroud	
4	51782	Screw	
5	510702	Limit Thermostat	
6	60952	Heat Shield	

Heater Box Assembly Replacement



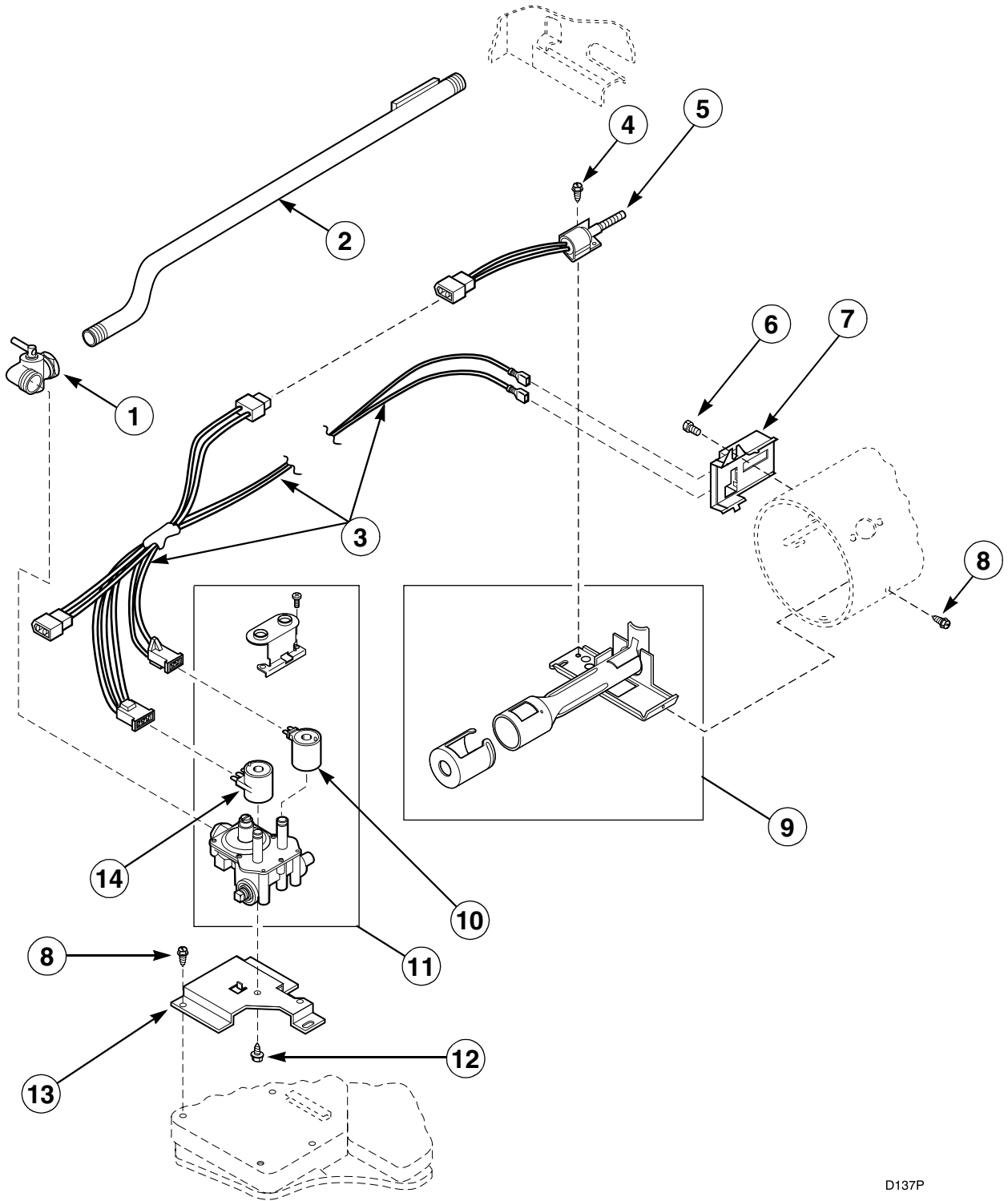
D788P

Heater Box Assembly Replacement

REF	PART NO.	DESCRIPTION	COMMENTS
1	510025P	Heater Box Assembly	Includes items 2 and 3
2	500820	Outlet Cover	Replaceable on item 1 only
3	503688	Screw	

Gas Valve and Igniter

Gas Models



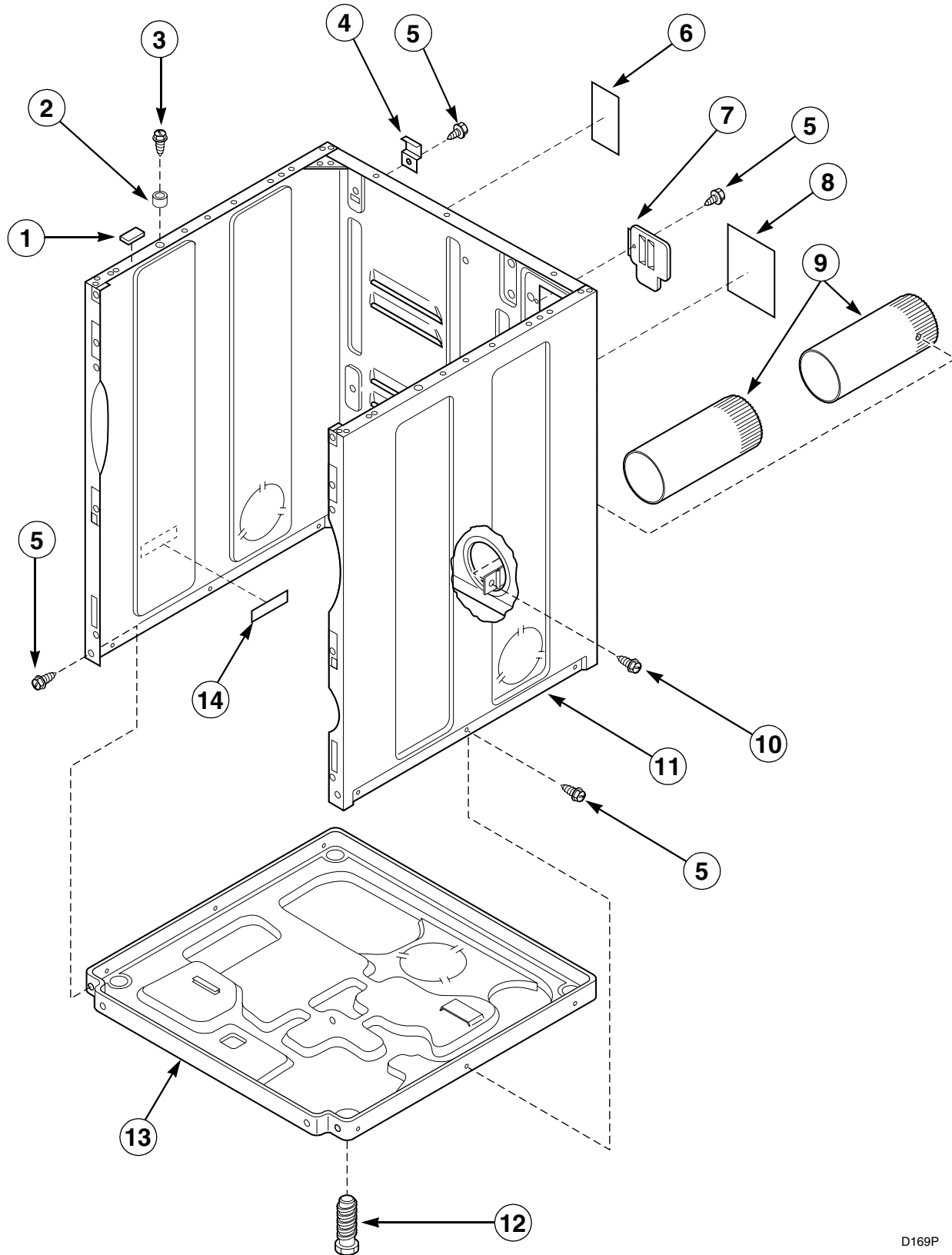
D137P

Gas Valve and Igniter

Gas Models

REF	PART NO.	DESCRIPTION	COMMENTS
1	510205	Valve	
2	510204	Lead-In-Pipe Assembly	
3	510530	Wire Harness	
4	51782	Screw	
5	510184P	Igniter and Bracket	
6	23222	Screw	
7	510213	Sensor	
8	503688	Screw	
9	510149	Burner Tube Assembly	
10	58804B	Secondary Coil	
11	58804	Gas Valve Assembly	Natural/Mixed gas
12	56124	Screw	
13	510128	Mounting Bracket	
14	58804A	Holding and Booster Coil	

Cabinet, Exhaust Duct and Base



D169P

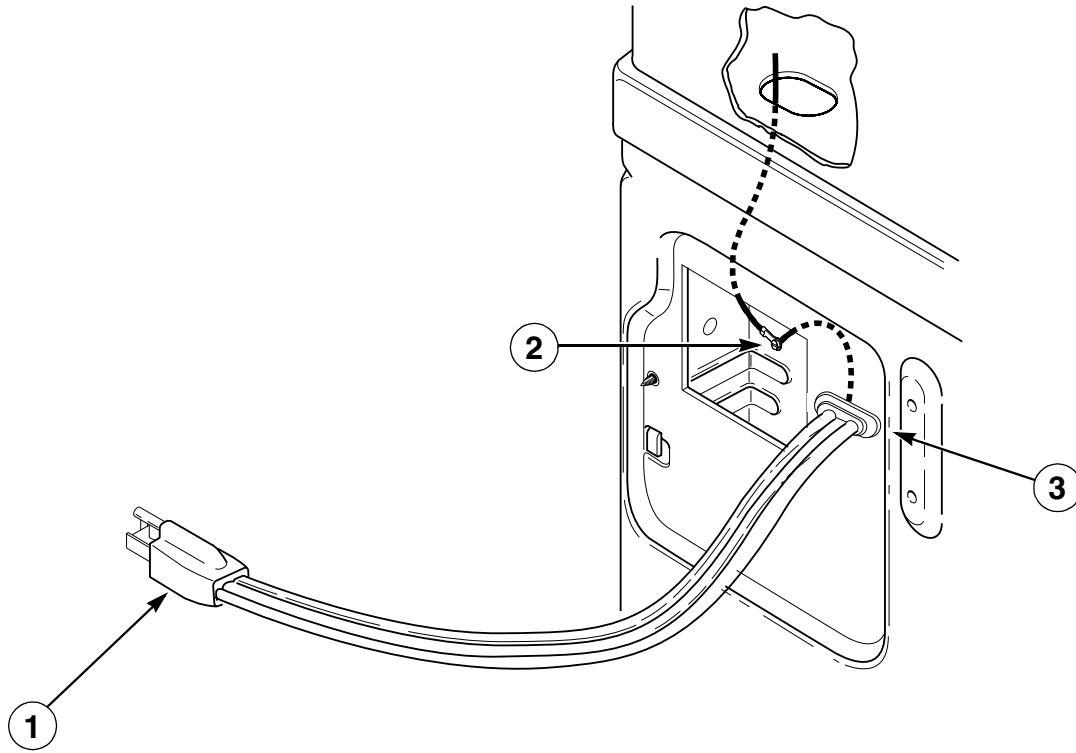
Cabinet, Exhaust Duct and Base

REF	PART NO.	DESCRIPTION	COMMENTS
	528P3	Directional Exhaust Kit	To vent dryer out the sides or bottom
1	56128	Bumper	
2	56079	Guide Lug	
3	32671	Screw	
4	510136	Hinge	
5	33562	Screw	
6	511004	Sticker	Gas models
7	510903	Access Plate	
8	511005	Sticker	Electric models
9	510137	Exhaust Duct	
10	503688	Screw	
11	727P3*	Cabinet	
12	510135	Leveling Leg	
13	510084	Base	
14	61294	Sticker	Electric models

* Add letter to designate color: **L - Almond** **W - White**

Power Cords

Gas Models



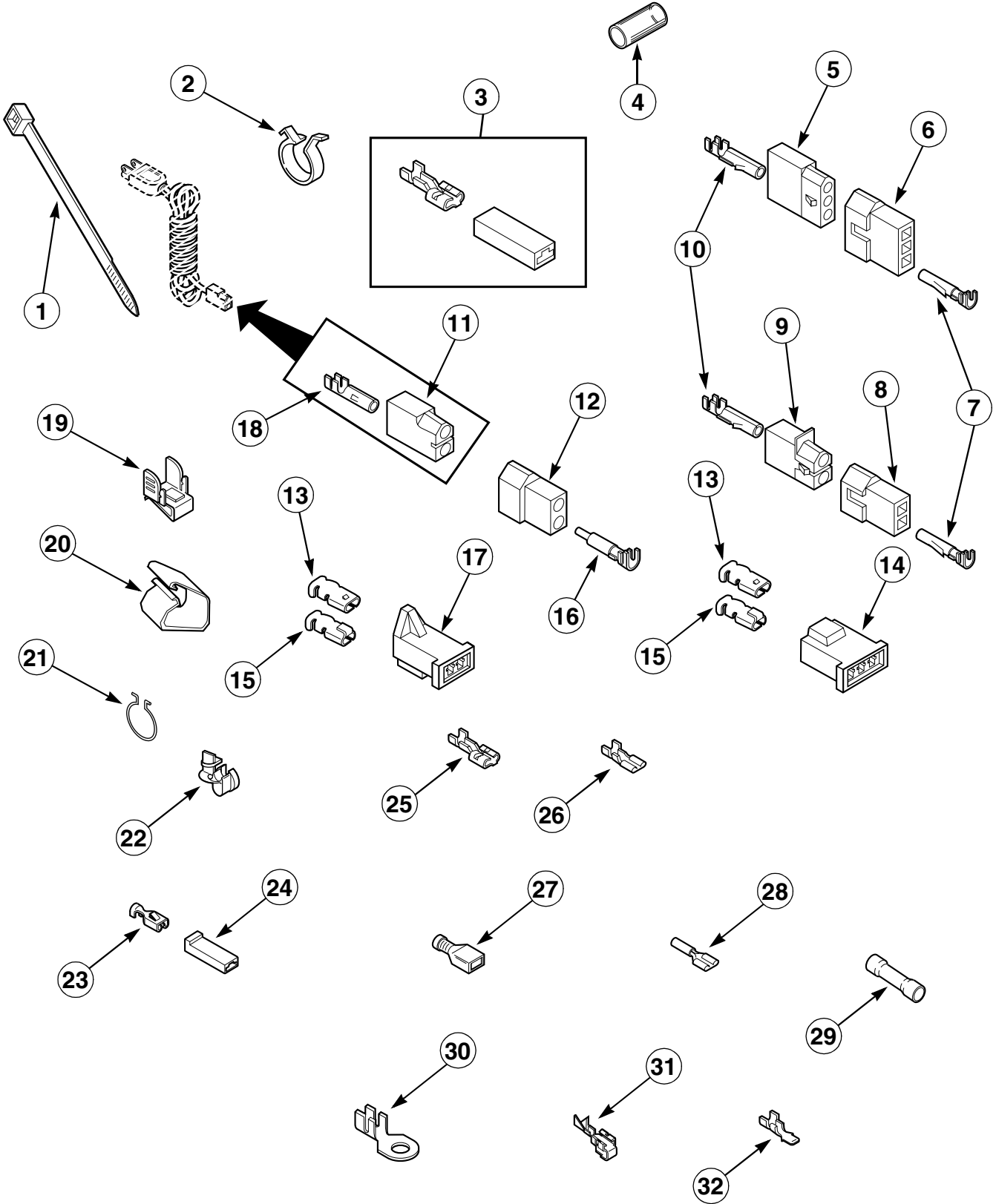
D099G

Power Cords

Gas Models

REF	PART NO.	DESCRIPTION	COMMENTS
1	56222	Power Cord	
2	20530	Screw	Use with painted and unpainted bulkhead
	503688	Screw	Use with Stainless Steel bulkhead
3	38384	Strain Relief	

Terminals

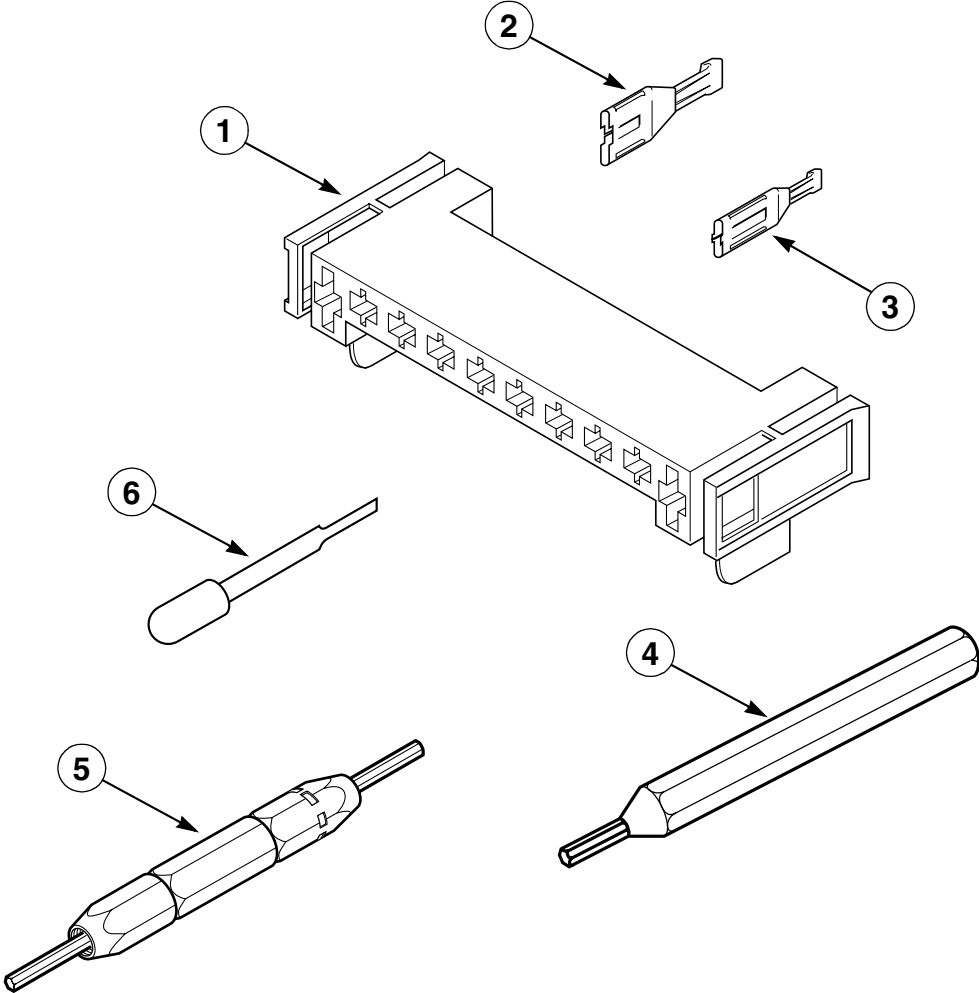


Terminals

REF	PART NO.	DESCRIPTION	COMMENTS
1	55881	Wire Tie	
2	504034	Wire Clip	
3	00237	Insulated 1/4 Inch Spade Terminal	(1) 12 gauge wire or (2) 18 gauge wires
4	503670	Insulator Sleeve	
5	23039	Terminal Block Receptacle	
6	23040	Terminal Block Plug	
7	00116	Terminal	
8	56448	Terminal Block Plug	
9	56451	Terminal Block Receptacle	
10	00117	Terminal	
11	56265	Terminal Block Receptacle	N/A
12	56266	Terminal Block Plug	
13	00189	Terminal	
14	58800	Terminal Block	
15	00361	Terminal	Piggy back
16	00127	Terminal	
17	58799	Terminal Block	
18	00130	Terminal	
19	00161	Ground Clip	
20	35521	Harness Clip	
21	51291	Wire Clip	
22	38384	Strain Relief	
23	00115	Lock-In Spade Terminal	(1) 18 gauge wire
	00321	Lock-In Spade Terminal	(2) 18 gauge wires or (1) 12 gauge wire
24	90789	Connector	
25	00245	Spade Terminal	1/4 inch; (1) 22 gauge wire
	00223	Spade Terminal	1/4 inch; (1) 18 gauge wire
	00121	Spade Terminal	1/4 inch; (2) 18 gauge wires or (1) 12 gauge wire
26	00124	Spade Terminal	3/16 inch; (1) 18 gauge wire (.020 tab)
	00209	Spade Terminal	3/16 inch; (2) 18 gauge wires (.020 tab)
	00156	Spade Terminal	3/16 inch; Thermostat wire (.032 tab)
27	00165	Insulated Spade Terminal	3/16 inch
	00234	Insulated Spade Terminal	1/4 inch
28	00215	Barrel Insulated Spade Terminal	12 gauge
29	30865	Butt Splice Connector	N/A
30	00110	Eyelet Terminal	(1) 18 gauge wire
	00111	Eyelet Terminal	(2) 18 gauge wires or (1) 12 gauge wire
31	00114	Double Connector Terminal	
32	00139	Terminal	Male; 1/4 inch; (2) 18 gauge wires or (1) 12 gauge wire

N/A – Part no longer available

Motor Connection Block, Terminals and Terminal Extractor Tools



D153P

Motor Connection Block, Terminals and Terminal Extractor Tools

REF	PART NO.	DESCRIPTION	COMMENTS
1	500338	Motor Connection Block	Molex
2	00255	Spade Terminal	1/4 inch; (1) 12 gauge wire
	00256	Spade Terminal	1/4 inch; (1) or (2) 18 gauge wires
3	00188	Molex Terminal	For 1 or 2 wire application
4	128P4	Terminal Extractor Tool	For use on gas dryer terminals
5	190P4	Terminal Extractor Tool	For use on electric dryer terminals
6	283P4	Terminal Extractor Tool	N/A

N/A – Part no longer available

Wire Harnesses and Wires

Individual wires are not available separately. Order complete wire harness, or order wire by the foot. See chart below.

Model Number	Wire Harness Part Number
AEM197, AEM397 and AEM377	500698
AGM199, AGM399 and AGM 379	500699
AEM497 and AEM477	500694
AGM499 and AGM479	500695
AEM697	500692
AGM699	N/A
AGM409 and AGM429	501886
AEM407 and AEM427	501885

N/A – Part no longer available

Order the individual wire color and gauge by the part number listed below. Order wire by the foot and terminals and connectors as required. It is recommended when applying terminals to wires that the terminals be soldered to the wires.

IMPORTANT: Always replace wires with proper gauge.

Part Number	Wire Gauge	Wire Color
45001	18 Gauge Wire	Black
45380	12 Gauge Wire	Orange

Gas Burner Conversion Kits

To Convert Dryers from Natural/Mixed to LP Gas	To Convert Dryers from LP to Natural/Mixed Gas
401P3 Conversion Kit consists of: 1 - 58754 Block Open Plug 1 - 58755 Burner Orifice Spud (#55) 1 - 61504 Conversion Plate 1 - 60517 Valve Converted to LP Gas Sticker 2 - 60520 LP Gas Stickers	402P3 Conversion Kit consists of: 1 - 58719 Burner Orifice Spud (#44) 1 - 58768 Vent Screw 1 - 61505 Conversion Plate 1 - 60516 Valve Converted to Natural Gas Sticker 2 - 60521 Natural Gas Stickers

Parts Index

A

Access Plate 510903	33
Adhesive for Cylinder Seal 22506P	21, 23
Air Duct 502231	21

B

Baffle 510102	21
Barrel Insulated Spade Terminal 00215	37
Base 510084	33
Belt 510178	19
Bulb 60954	21
Bumper 56128	33
Burner Housing 61974	27
Burner Tube Assembly 510149	31
Butt Splice Connector 30865	37

C

Cabinet 727P3	33
Cabinet Top 510029P	13
Connector 90789	37
Control Hood Assembly 59937	5, 7, 9, 11
62745	7, 9
Control Hood Rear Panel 510099	13
Control Knob Assembly 33610	9, 11
33688	9
Control Panel Trim 61849R	7
Cupped Washer 51474	23
Cylinder Assembly 500095P	21
Cylinder Glide 510187	21

Cylinder Light Housing 60953P	21
Cylinder Roller 510708P	23
Cylinder Seal 510207P	23
Cylinder Seal Assembly 510207P	21

D

Directional Exhaust Kit 528P3	33
Door Catch 510177	17
Door Hinge 510519	15
Door Hinge Mounting Clip 500236	15
Door Pull 500042W	15
Door Seal 500200	15
Door Striker 510181	15
Door Striker Bracket 510127	15
Door Switch 504570	17
Double Connector Terminal 00114	37

E

End Cap 31248	7, 9, 11
31249	7, 9, 11
34459	5
34460	5
Exhaust Duct 510137	33
Exhaust Fan Cover and Housing 510138P	19
Exhaust Fan Impeller 510139	19
Eyelet Terminal 00110	37
00111	37

F

Felt Pad 500121	21
Front Bulkhead 500016W	21
500091P	21
500117W	21

Front Panel	
500033	17
Front Panel Seal	
500034	17

G

Gas Valve Assembly	
58804	31
Glide Bracket	
510145	21
Graphic Panel	
500656	9
500657	7
500659	11
500660	9
500661	7
501293	5
502105	7
502125	7
502201	9
Ground Clip	
00161	37
Guide Lug	
56079	17, 33

H

Harness Clip	
35521	37
Heat Shield	
60952	25, 27
Heat Shroud	
510101	27
Heater Assembly	
61927	25
61928	25
Heater Box Assembly	
500179P	29
Hinge	
510136	33
Hold-Down Bracket	
510297	13
Hold-Down Clip	
28835	17
Holding and Booster Coil	
58804A	31

I

Idler Lever	
500910	19
Idler Pulley	
510142	19
Idler Pulley and Lever Assembly	
510158	19
Igniter and Bracket	
510184P	31
Inner Door Panel and Seal	
500199	15

Insulated Spade Terminal	
00165	37
00234	37
Insulated 1/4 Inch Spade Terminal	
00237	37
Insulator Sleeve	
503670	37

L

Lead-In-Pipe Assembly	
510204	31
Lens	
500094	21
Leveling Leg	
510135	33
Limit Thermostat	
510701	25
510702	27
Lint Filter	
502140P	21
Lint Filter Cover	
502092	21
Lock-In Spade Terminal	
00115	37
00321	37
Locknut	
52566	19
56156	19, 23
Lower Access Panel	
510069	17

M

Molex Terminal	
00188	39
Motor Assembly	
510508P	19
Motor Clip	
510180	19
Motor Connection Block	
500338	39
Motor Locking Mount	
58044A	19
Motor Mounting Bracket	
510060	19
Motor Pulley	
500011	19
Motor Switch	
501218	19
Mounting Bracket	
510128	31

N

Nut	
57584	9

O

Outer Door Panel	
500040	15
Outlet Cover	
500820	29

P

Power Cord	
56222	35

R

Rear Bulkhead	
510905W.....	23
511082	23
Retainer Ring	
23748	19, 23
Roller Bracket	
510100	23

S

Screw	
20530	13, 19, 23, 35
23222	19, 25, 31
31260	9, 11, 19
31645	21
31752	5, 7, 9, 11
32671	17, 33
32993	7, 9
33562	13, 17, 19, 33
500226	15, 21
500227	21
500297	15
501086	5, 7, 9, 11, 13, 19
501285	23
503601	19
503688	21, 23, 25, 27, 29, 31, 33, 35
505870	17
51782	27, 31
56124	31
61199	23
62588	21
Seal	
500313	19
Secondary Coil	
58804B.....	31
Sensor	
510213	31
Shaft	
56461	19, 23
Shoulder Screw	
500824	19
Signal Control	
500823	9, 11

Spade Terminal	
00121	37
00124	37
00156	37
00209	37
00223	37
00245	37
00255	39
00256	39

Spring	
510185	19

Sticker	
24903	13
500049	21
500281	17
511004	17, 33
511005	33
56259	21
61294	33

Strain Relief	
38384	35, 37

Switch Bracket	
59704	9

T

Temperature Switch	
61511	9
62173	11

Terminal	
00116	37
00117	37
00127	37
00130	37
00139	37
00189	37
00361	37

Terminal Block	
510190P	23
58799	37
58800	37

Terminal Block Plug	
23040	37
56266	37
56448	37

Terminal Block Receptacle	
23039	37
56265	37
56451	37

Terminal Extractor Tool	
128P4	39
190P4	39
283P4	39

Thermal Fuse	
510183	25

Thermostat	
56410	19
61372	19

Thermostat Heater	
61401	19

Timer	
501881	7
502963	9
502967	11
59420	5, 7
Timer Knob Assembly	
62176	5, 7, 9, 11
62234	7, 9
Trim Strip	
61849R	9, 11

V

Valve	
510205	31

W

Washer	
52549	19, 23
Wire Clip	
504034	37
51291	37
Wire Harness	
510530	31
Wire Tie	
55881	37