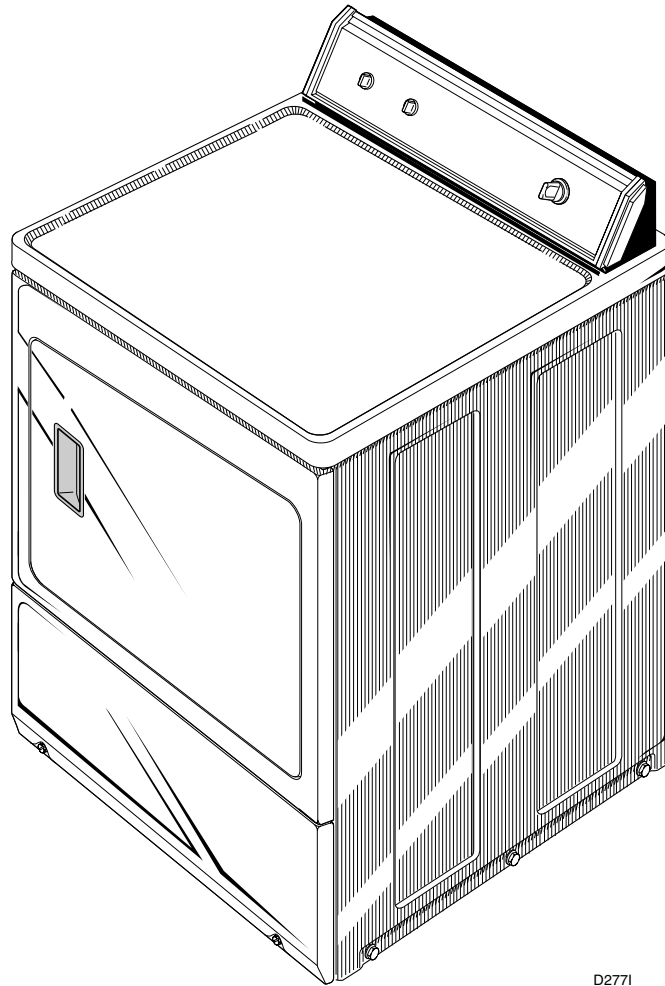


Dryers

Refer to Page 3 for Model Numbers



D2771

Parts

Table of Contents

Title	Page
Parts Ordering Information	2
Nameplate Location	2
Model Identification	3
Graphic Panel, Control Hood and Controls (Models AEM407*2, AGM409*2, AEM427*2 and AGM429*2) ..	4
Graphic Panel, Control Hood and Controls (Models AEM497*2, AGM499*2, AEM477*2 and AGM479*2) ..	6
Graphic Panel, Control Hood and Controls (Models AEM677*2, AEM679*2, AEM697*2 and AGM699*2) ..	8
Cabinet Top and Control Hood Rear Panel	10
Loading Door	12
Lower Access Panel, Front Panel and Seal	14
Motor, Exhaust Fan and Belt	16
Front Bulkhead, Air Duct, Felt Seal and Cylinder	18
Rear Bulkhead, Felt Seal, Cylinder Roller and Terminal Block	20
Heater Box Assembly Originally on Electric Dryer	22
Heater Box Assembly Replacement	24
Heater Box Assembly Originally on Gas Dryer	26
Gas Valve, Igniter and Gas Conversion Kits	28
Cabinet, Exhaust Duct and Base	30
Power Cord	32
Terminals	34
Terminals	36
Motor Connection Block, Terminals and Terminal Extractor Tools	38
Wire Harnesses and Wires	40
Production Literature	40
Gas Burner Conversion Kits	40
Parts Index	41

© Copyright 2000, Alliance Laundry Systems LLC

All rights reserved. No part of the contents of this book may be reproduced or transmitted in any form or by any means without the expressed written consent of the publisher.

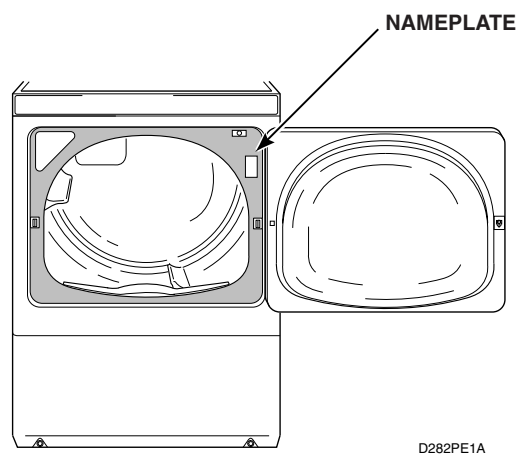
Parts Ordering Information

If literature or replacement parts are required, contact the source from whom the machine was purchased or contact Alliance Laundry Systems at (920) 748-3950 for the name and address of the nearest authorized parts distributor.

For technical assistance, call (920) 748-3121.

Nameplate Location

When calling or writing about your product, be sure to mention model and serial numbers. Model and serial numbers are located on nameplate(s) as shown.



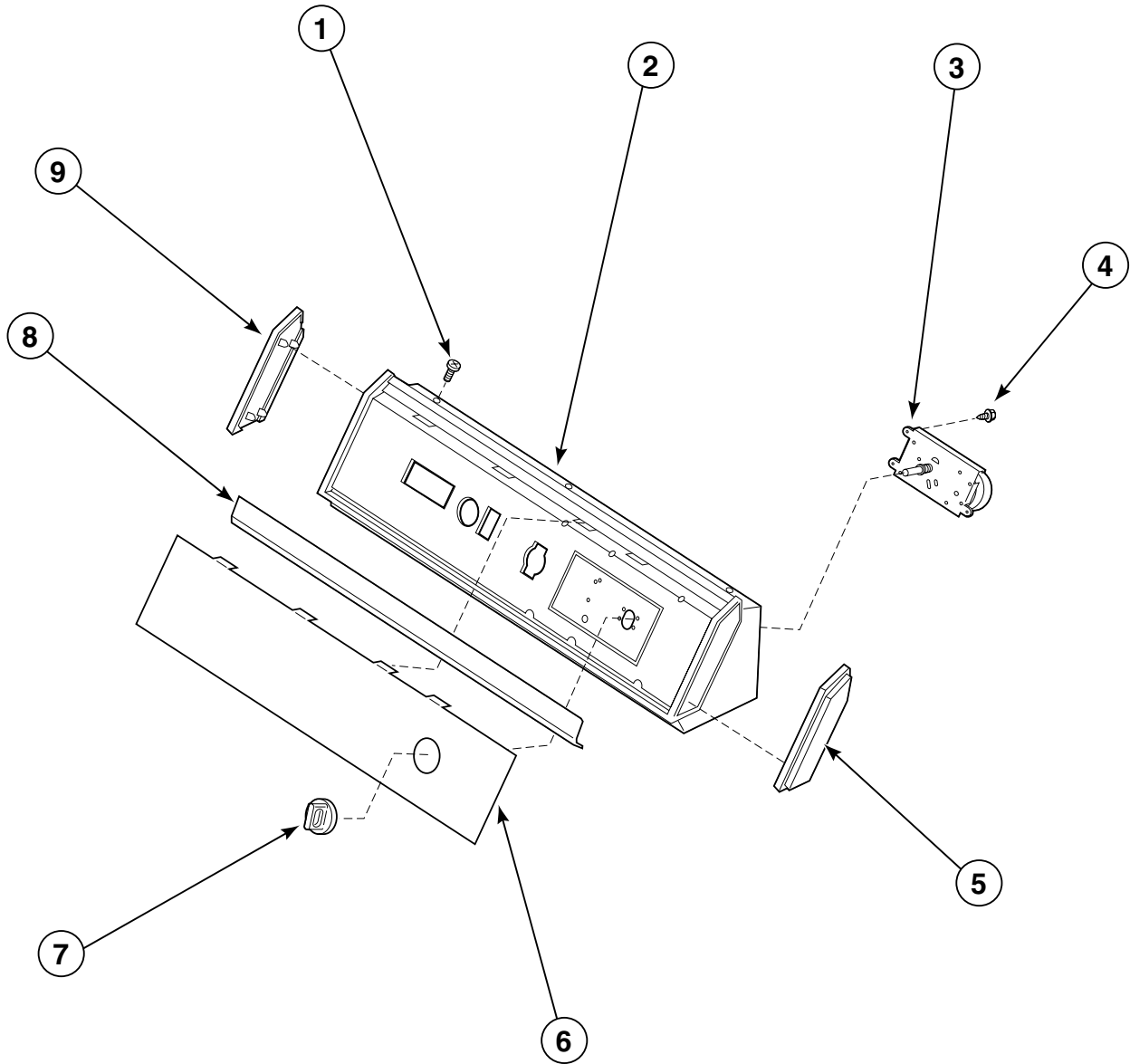
Model Identification

Information in this manual is applicable to these dryers:

Model Number	Manufacturing Number	Electric Heat	Gas Heat	Timer Model	Cylinder Type
AEM407L2	PAEM407L2	X		X	Painted
AEM407W2	PAEM407W2	X		X	Painted
AEM427L2	PAEM427L2	X		X	Painted
AEM427W2	PAEM427W2	X		X	Painted
AEM477L2	PAEM477L2	X		X	Painted
AEM477W2	PAEM477W2	X		X	Painted
AEM497L2	PAEM497L2	X		X	Painted
AEM497W2	PAEM497W2	X		X	Painted
AEM677L2	PAEM677L2	X		X	Painted
AEM677W2	PAEM677W2	X		X	Painted
AEM697L2	PAEM697L2	X		X	Painted
AEM697W2	PAEM697W2	X		X	Painted
AGM409L2	PAGM409L2		X	X	Painted
AGM409W2	PAGM409W2		X	X	Painted
AGM429L2	PAGM429L2		X	X	Painted
AGM429W2	PAGM429W2		X	X	Painted
AGM479L2	PAGM479L2		X	X	Painted
AGM479W2	PAGM479W2		X	X	Painted
AGM499L2	PAGM499L2		X	X	Painted
AGM499W2	PAGM499W2		X	X	Painted
AGM679L2	PAGM679L2		X	X	Painted
AGM679W2	PAGM679W2		X	X	Painted
AGM699L2	PAGM699L2		X	X	Painted
AGM699W2	PAGM699W2		X	X	Painted

Graphic Panel, Control Hood and Controls

Models AEM407*2, AGM409*2, AEM427*2 and AGM429*2



D156PZ3A

* Add Letter To Designate Color. L – Almond W – White

Graphic Panel, Control Hood and Controls

Models AEM407*2, AGM409*2, AEM427*2 and AGM429*2

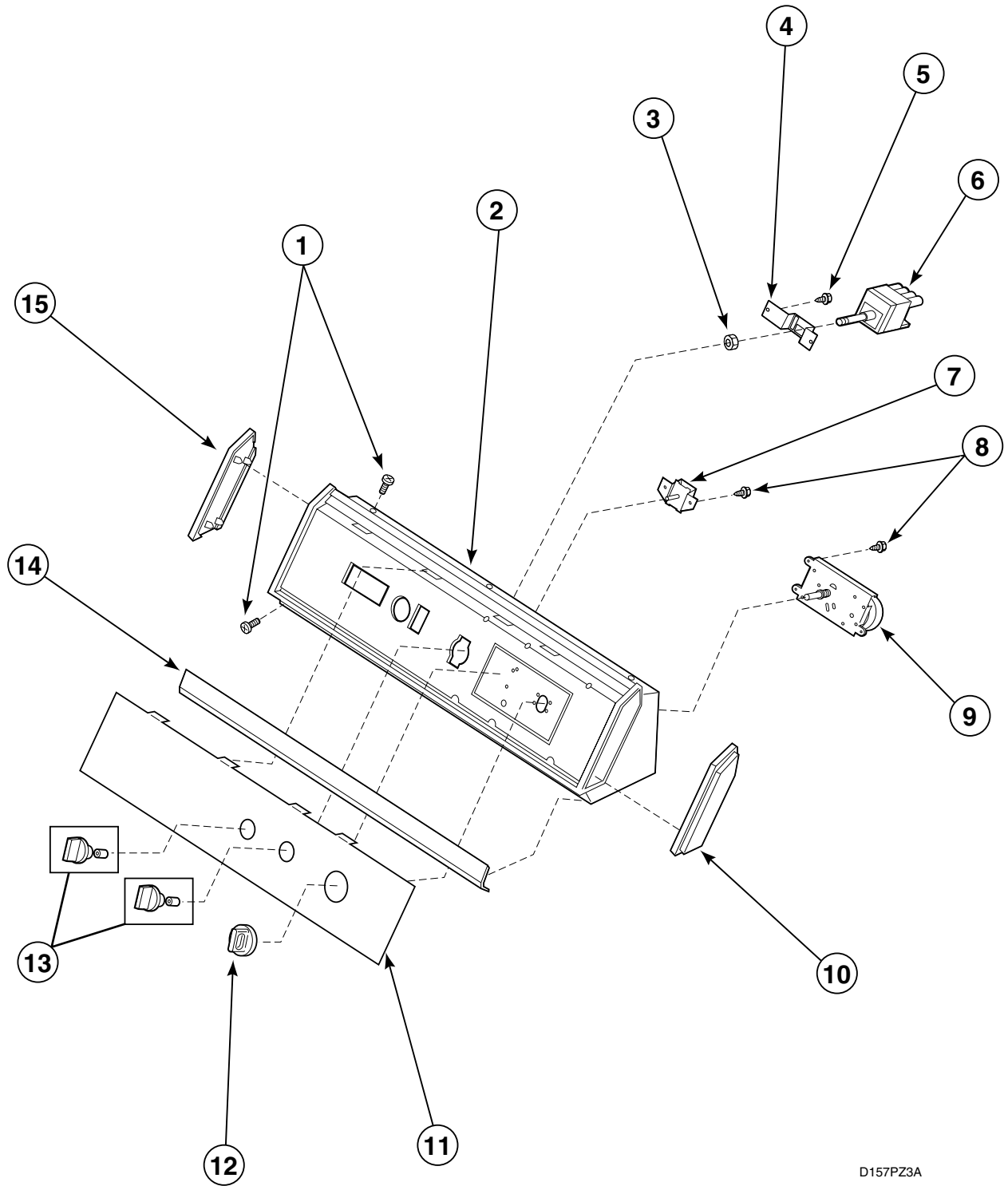
REF	PART #	DESCRIPTION	COMMENTS
1	31752	Screw	Models AEM407*2 and AGM409*2
	32993	Screw	Models AEM427*2 and AGM429*2
2	59937	Control Hood Assembly	Models AEM407*2 and AGM409*2; N/A
	62745	Control Hood Assembly	Models AEM427*2 and AGM429*2
3	501881	Timer	
4	501086	Screw	
5	31248	End Cap	Right
6	502202	Graphic Panel	
7	62176	Timer Knob Assembly	Models AEM409*2 and AGM409*2
	62234	Timer Knob Assembly	Models AEM427*2 and AGM429*2
8	61849R	Control Panel Trim	Models AEM427*2 and AGM429*2 only
9	31249	End Cap	Left

* Add Letter To Designate Color. L – Almond W – White

N/A = Part no longer available

Graphic Panel, Control Hood and Controls

Models AEM497*2, AGM499*2, AEM477*2 and AGM479*2



D157PZ3A

* Add Letter To Designate Color. L – Almond W – White

Graphic Panel, Control Hood and Controls

Models AEM497*2, AGM499*2, AEM477*2 and AGM479*2

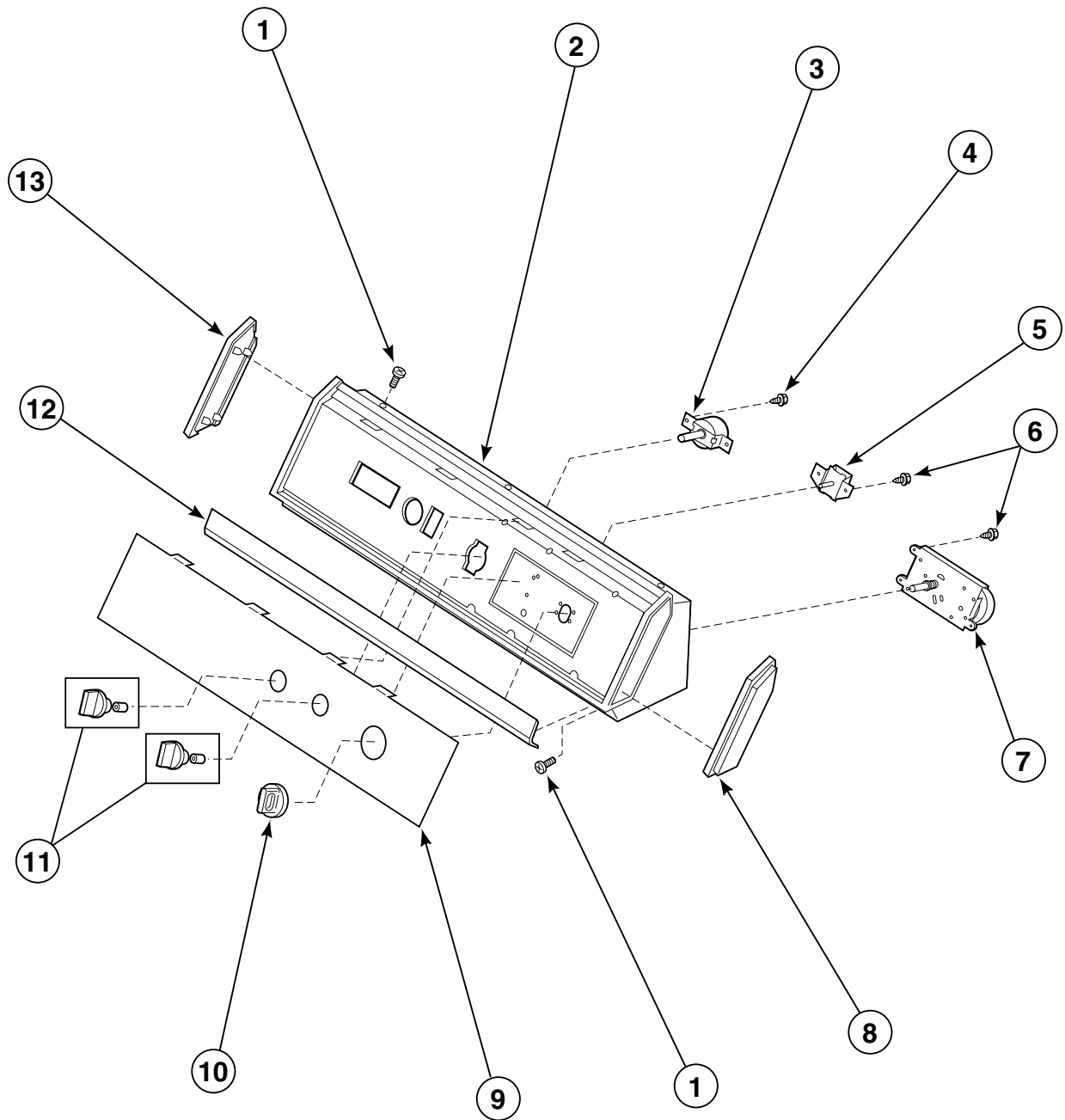
REF	PART #	DESCRIPTION	COMMENTS
1	31752	Screw	Models AEM497*2 and AGM499*2
	32993	Screw	Models AEM477*2 and AGM479*2
2	59937	Control Hood Assembly	Models AEM497*2 and AGM499*2; N/A
	62745	Control Hood Assembly	Models AEM477*2 and AGM479*2
3	57584	Nut	
4	59704	Switch Bracket	N/A
5	31260	Screw	
6	61511	Temperature Switch	
7	500823	Signal Control	
8	501086	Screw	
9	502963	Timer	
10	31248	End Cap	Right
11	502201	Graphic Panel	Models AEM497*2 and AGM499*2; N/A
	502203	Graphic Panel	Models AEM477*2 and AGM479*2; N/A
12	62176	Timer Knob Assembly	Models AEM497*2 and AGM499*2
	62234	Timer Knob Assembly	Models AEM477*2 and AGM499*2
13	33610	Control Knob Assembly	Models AEM479*2 and AGM499*2
	33688	Control Knob Assembly	Models AEM477*2 and AGM479*2
14	61849R	Control Panel Trim	
15	31249	End Cap	Left

* Add Letter To Designate Color. L – Almond W – White

N/A = Part no longer available

Graphic Panel, Control Hood and Controls

Models AEM677*2, AEM679*2, AEM697*2 and AGM699*2



D158PZ3A

* Add Letter To Designate Color. L – Almond W – White

Graphic Panel, Control Hood and Controls

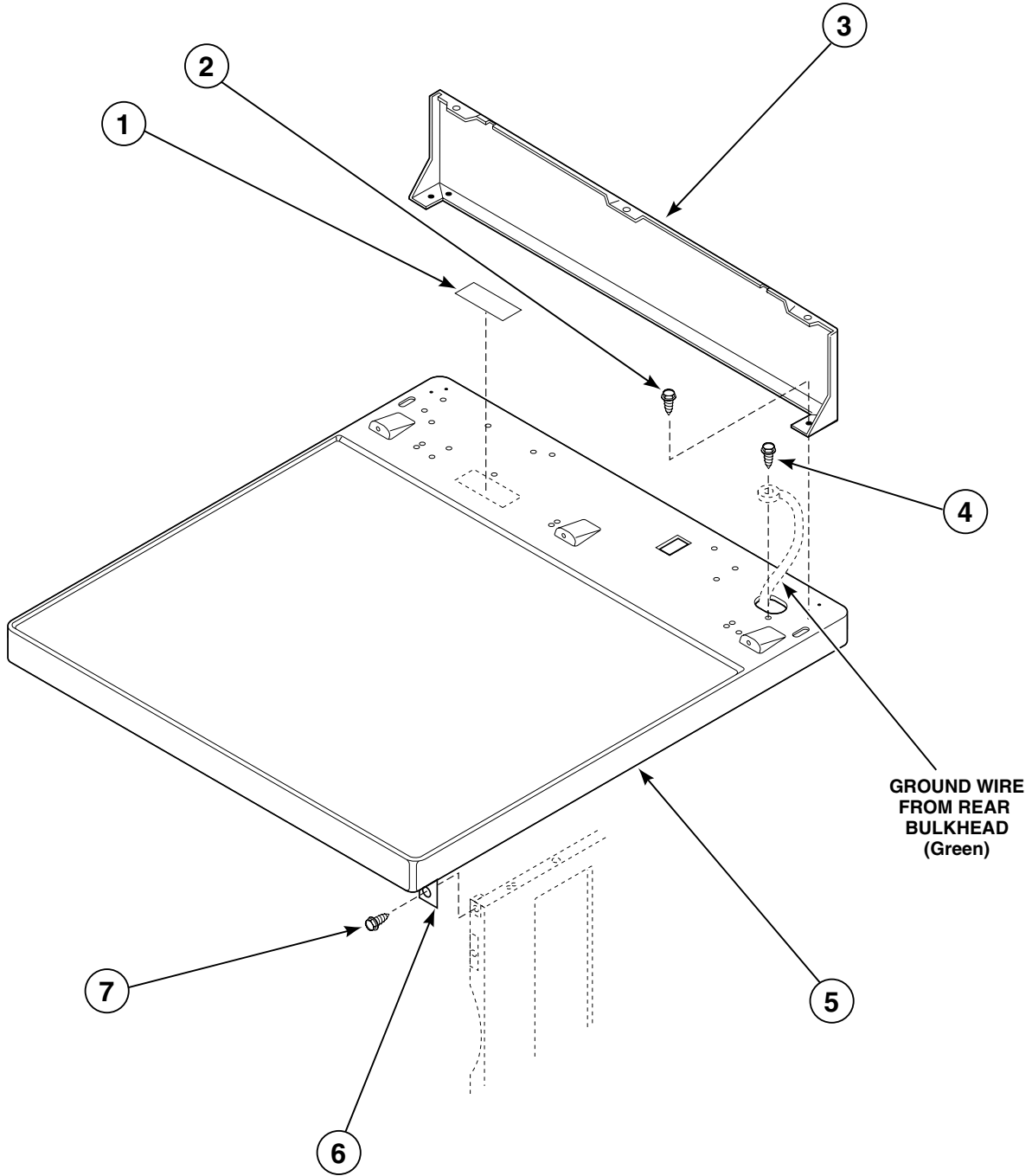
Models AEM677*2, AEM679*2, AEM697*2 and AGM699*2

REF	PART #	DESCRIPTION	COMMENTS
1	31752	Screw	Models AEM697*2 and AGM699*2
	32993	Screw	Models AEM677*2 and AGM679*2
2	59937	Control Hood Assembly	Models AEM697*2 and AGM699*2; N/A
	62745	Control Hood Assembly	Models AEM677*2 and AGM679*2
3	62173	Temperature Switch	N/A
4	31260	Screw	
5	500823	Signal Control	
6	501086	Screw	
7	502967	Timer	
8	31248	End Cap	Right
9	502200	Graphic Panel	Models AEM697*2 and AGM699*2
	502445	Graphic Panel	Models AEM677*2 and AGM679*2
10	62176	Timer Knob Assembly	Models AEM697*2 and AGM699*2
	62234	Timer Knob Assembly	Models AEM677*2 and AGM679*2
11	33610	Control Knob Assembly	Models AEM697*2 and AGM699*2
	33688	Control Knob Assembly	Models AEM677*2 and AGM679*2
12	61849R	Control Panel Trim	
13	31249	End Cap	Left

* Add Letter To Designate Color. L – Almond W – White

N/A = Part no longer available

Cabinet Top and Control Hood Rear Panel



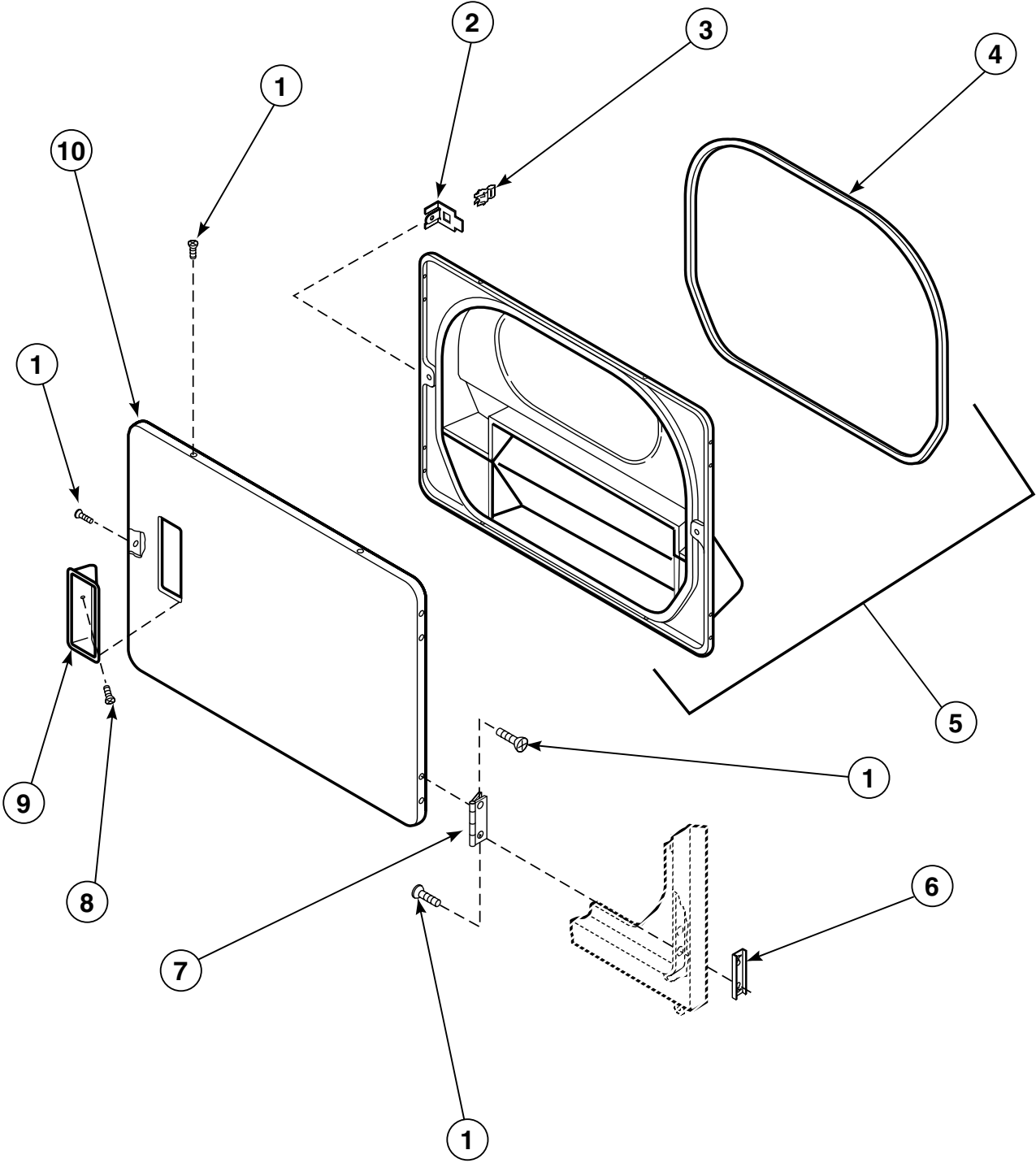
D162PZ3A

Cabinet Top and Control Hood Rear Panel

REF	PART #	DESCRIPTION	COMMENTS
1	24903	Sticker	
2	501086	Screw	
3	510099	Control Hood Rear Panel	
4	20530	Screw	
5	510029*P	Cabinet Top	Includes (2) item 6
6	510297	Hold-Down Bracket	
7	33562	Screw	

* Add Letter To Designate Color. L – Almond W – White

Loading Door



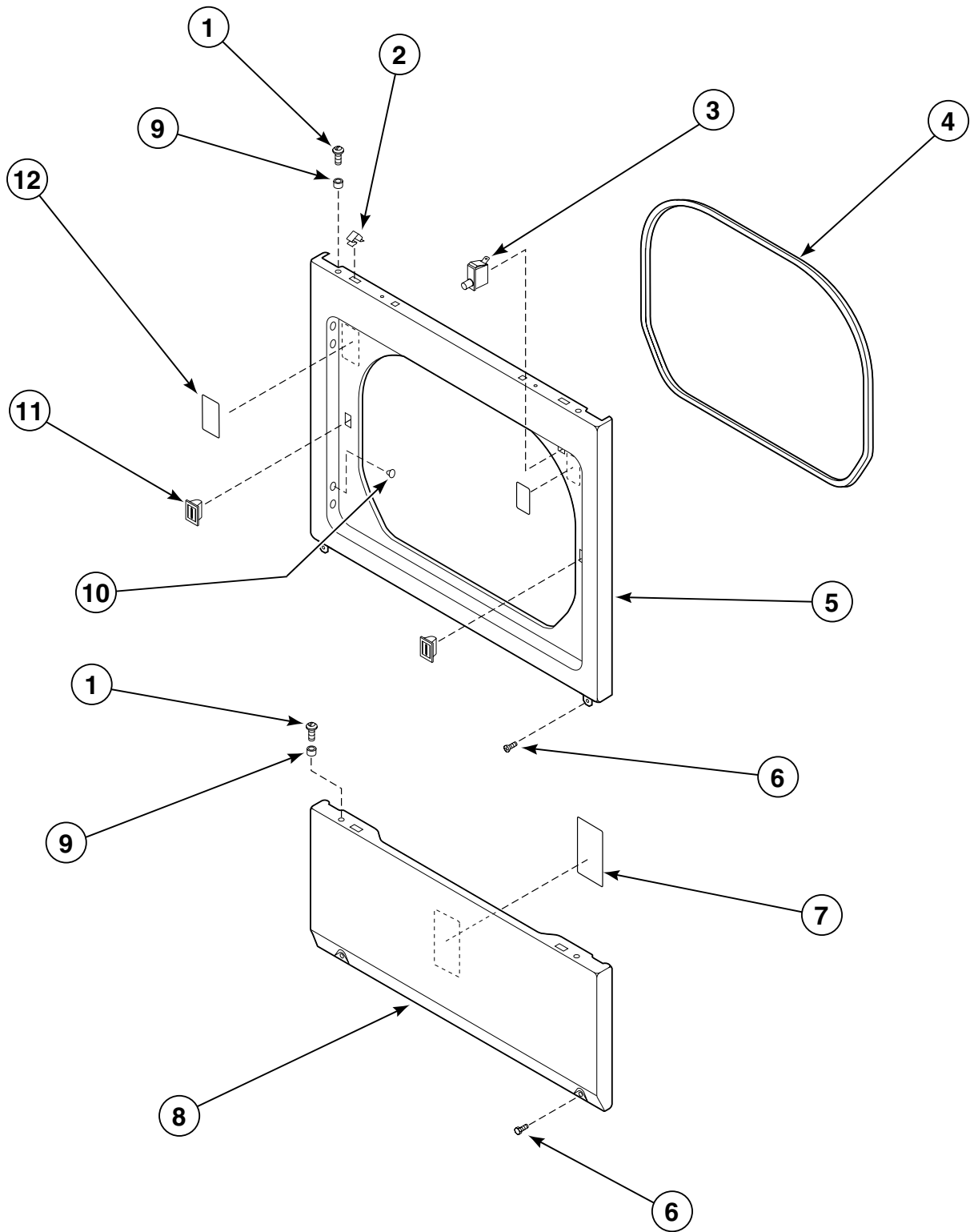
D248PZ3B

Loading Door

REF	PART #	DESCRIPTION	COMMENTS
1	500226	Screw	
2	510127	Door Striker Bracket	
3	510181	Door Striker	
4	500200	Door Seal	
5	500199	Inner Door Panel and Seal	Includes 500200 Door Seal
6	500236	Door Hinge Mounting Clip	
7	510519	Door Hinge	
8	500297	Screw	
9	500042W	Door Pull	
10	500040*	Outer Door Panel	

* Add Letter To Designate Color. L – Almond W – White

Lower Access Panel, Front Panel and Seal



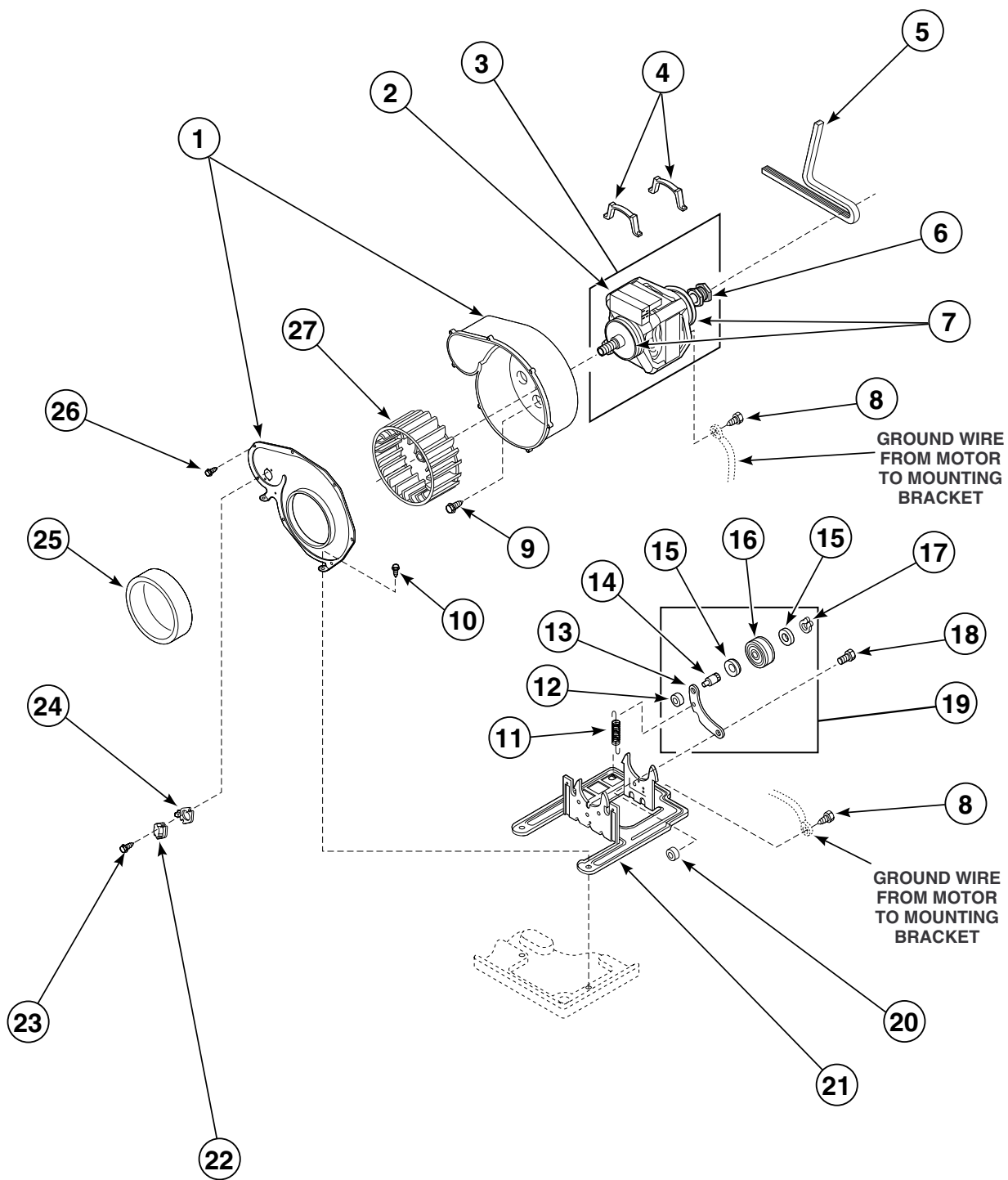
D165PZ3A

Lower Access Panel, Front Panel and Seal

REF	PART #	DESCRIPTION	COMMENTS
1	32671	Screw	
2	28835	Hold-Down Clip	
3	504570	Door Switch	
4	500034	Front Panel Seal	
5	500033*	Front Panel	
6	33562	Screw	
7	511004	Sticker	Gas models
8	510069*	Lower Access Panel	
9	56079	Guide Lug	
10	505870	Screw	
11	510177	Door Catch	
12	500281	Sticker	

* Add Letter To Designate Color. L – Almond W – White

Motor, Exhaust Fan and Belt



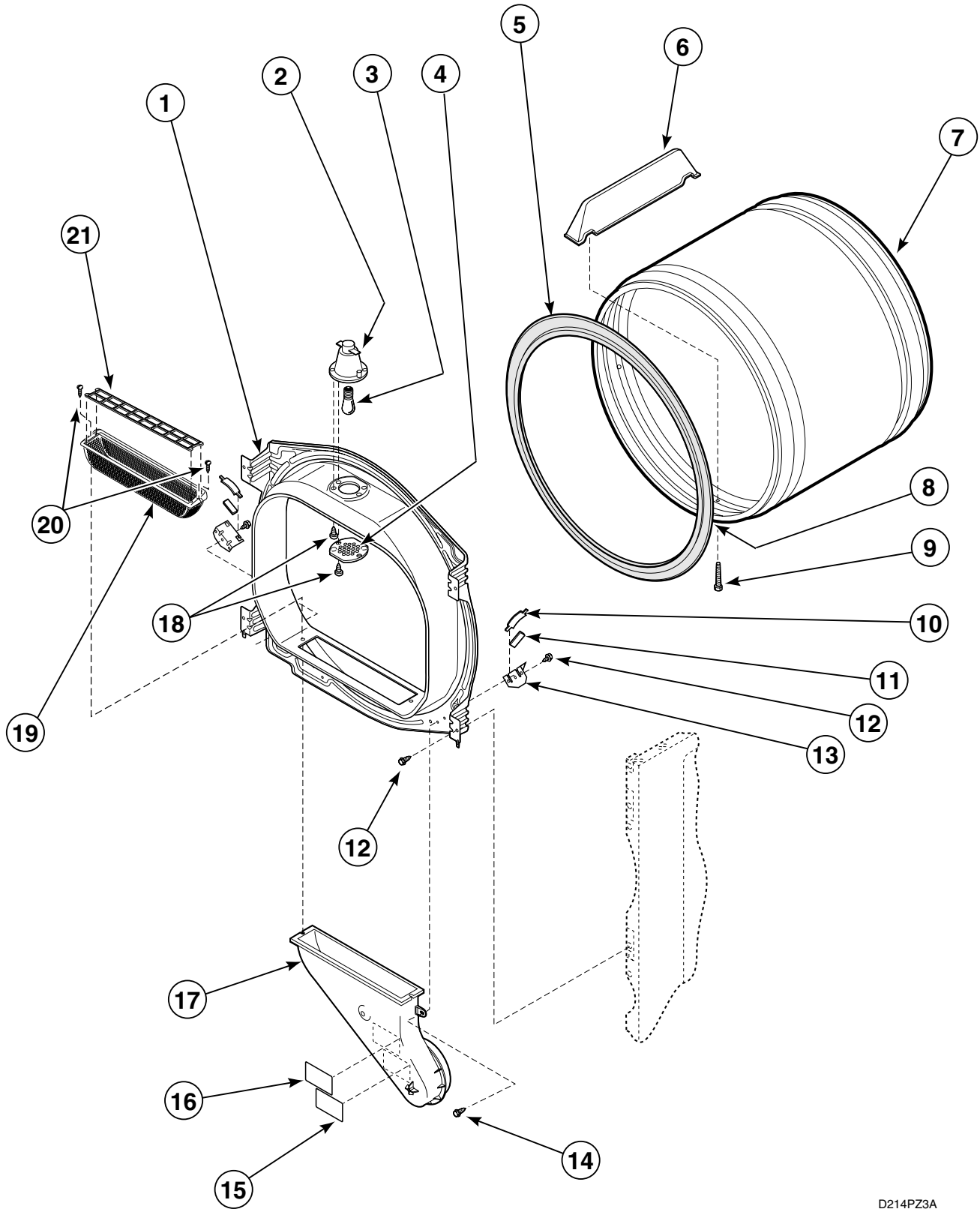
D132PZ3D

Motor, Exhaust Fan and Belt

REF	PART #	DESCRIPTION	COMMENTS
1	510138P	Exhaust Fan Housing	Includes cover
2	501218	Motor Switch	Does not include thermal protector
3	510508P	Motor Assembly	
4	510180	Motor Mounting Clamp	
5	510178	Belt	
6	500011	Motor Pulley	
7	590P3	Motor Hub Ring Kit	
8	20530	Screw	
9	501668	Screw	
10	33562	Screw	
11	510185	Spring	
12	56156	Locknut	
13	510133	Idler Lever	
14	56461	Shaft	
15	52549	Washer	
16	510142	Idler Pulley	
17	23748	Retainer Ring	
18	500824	Screw	
19	510158	Idler Pulley and Lever Assembly	
20	52566	Nut	
21	510060	Motor Mounting Bracket	
22	503551	Thermostat	All other models after serial numbers starting with 9606
	56410	Thermostat	Blue; Models AEM407*2, AEM427*2, AGM409*2 and AGM429*2
	61372	Thermostat	Orange; All other models before serial numbers starting with 9607
23	23222	Screw	Use with 56410 Thermostat
	33561	Screw	Use with 61372 Thermostat
24	61401	Thermostat Heater	Use with 61372 Thermostat
25	500313	Seal	
26	31260	Screw	
27	510139	Exhaust Fan Impeller	

* Add Letter To Designate Color. L – Almond W – White

Front Bulkhead, Air Duct, Felt Seal and Cylinder



D214PZ3A

Front Bulkhead, Air Duct, Felt Seal and Cylinder

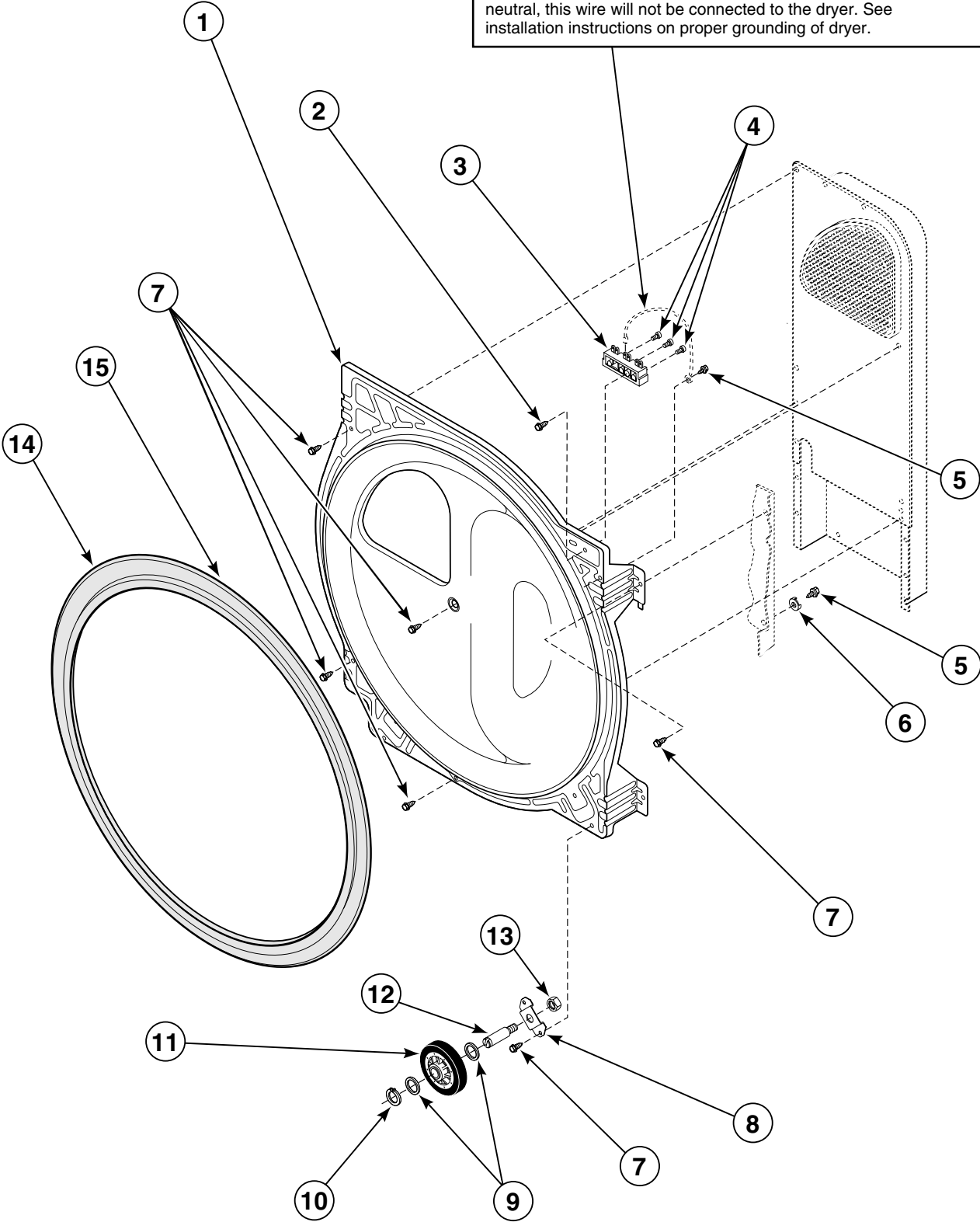
REF	PART #	DESCRIPTION	COMMENTS
1	511033W	Front Bulkhead	
2	503622	Cylinder Light Housing	Models AEM677*2, AEM697*2, AGM679*2 and AGM699*2
3	60954	Bulb	
4	503623	Lens	
5	510207P	Cylinder Seal	
6	503703	Baffle	
7	510159W	Cylinder Assembly	Painted; Includes baffles
8	22506P	Adhesive for Cylinder Seal	
9	62588	Screw	
10	510187	Cylinder Glide	Use with painted and unpainted cylinder; one required per side
11	510189	Felt Pad	
12	500226	Screw	
13	510145	Glide Bracket	
14	503661	Screw	
15	56259	Sticker	N/A
16	500049	Sticker	
17	502231	Air Duct	
18	505870	Screw	
19	503627	Lint Filter	Poly mesh
20	501285	Screw	
21	502092	Lint Filter Cover	

* Add Letter To Designate Color. L – Almond W – White

N/A = Part no longer available

Rear Bulkhead, Felt Seal, Cylinder Roller and Terminal Block

GROUND WIRE
 NOTE: If dryer is installed in a Manufactured (Mobile) home, or if local codes do not permit grounding through the neutral, this wire will not be connected to the dryer. See installation instructions on proper grounding of dryer.

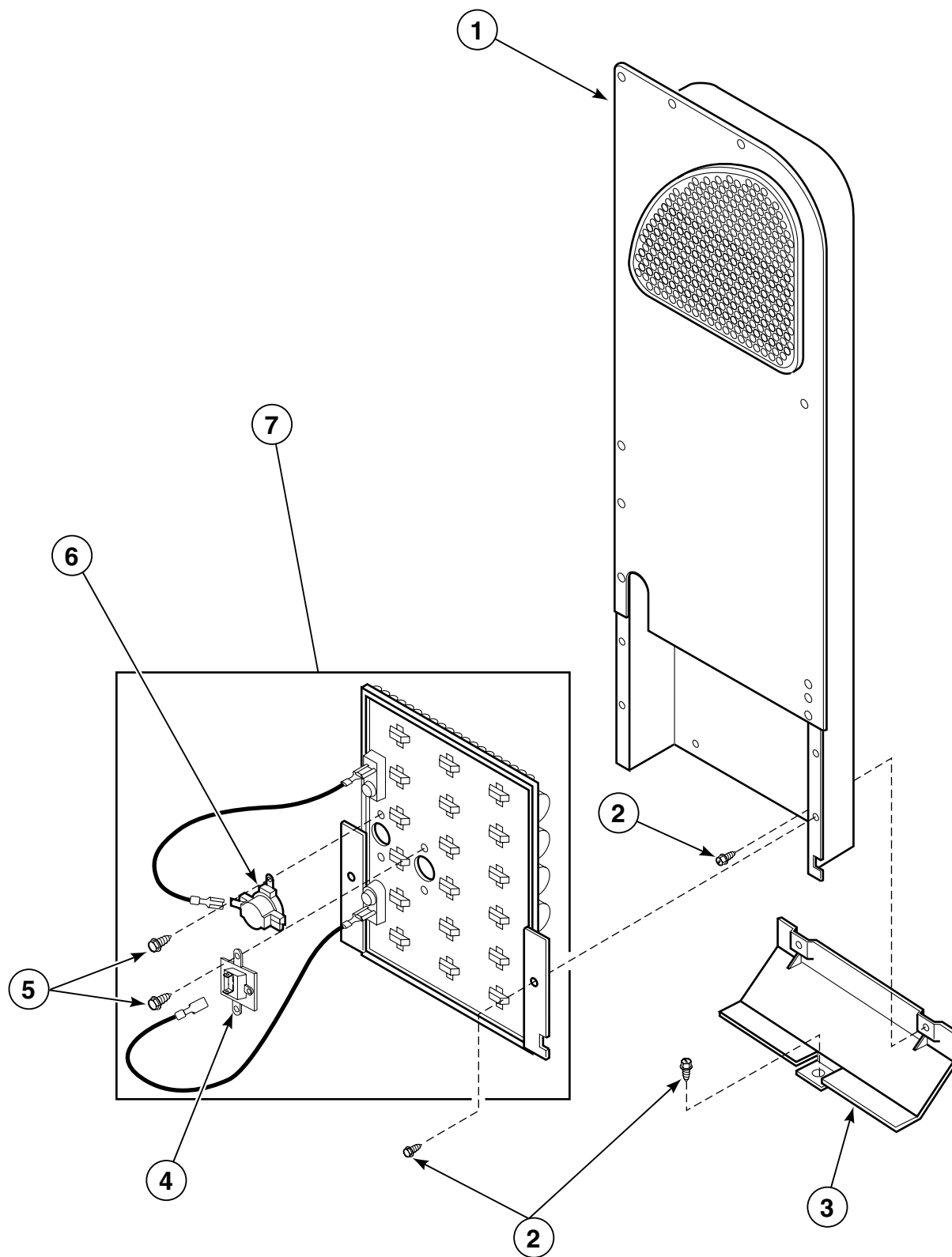


D168PZ3D

Rear Bulkhead, Felt Seal, Cylinder Roller and Terminal Block

REF	PART #	DESCRIPTION	COMMENTS
1	510905W	Rear Bulkhead	Includes cylinder seal
2	501285	Screw	
3	510190P	Terminal Block	Includes (3) item 4; Electric models
4	61199	Screw	
5	20530	Screw	
6	51474	Copper Washer	
7	503688	Screw	
8	510100	Roller Bracket	
9	52549	Washer	
10	23748	Retainer Ring	
11	510708P	Cylinder Roller	
12	56461	Shaft	
13	56156	Locknut	
14	510207P	Cylinder Seal	
15	22506P	Adhesive	For cylinder seal

Heater Box Assembly Originally on Electric Dryer

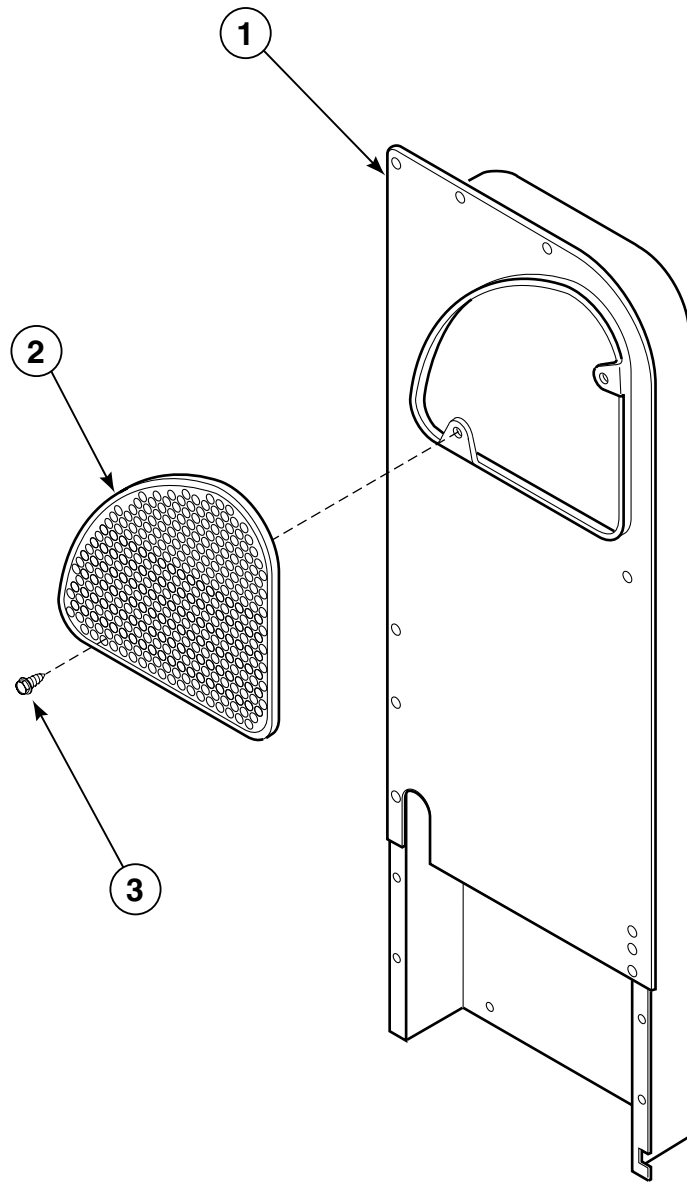


D135PZ3A

Heater Box Assembly Originally on Electric Dryer

REF	PART #	DESCRIPTION	COMMENTS
1	510025P	Heater Box Assembly	
2	503688	Screw	
3	60952	Heat Shield	
4	510183	Thermal Fuse	
5	23222	Screw	
6	510701	Limit Thermostat	
7	61927	Heater Assembly	240 Volts; 5000 Watts; Red
	61928	Heater Assembly	208 Volts; 4750 Watts; White

Heater Box Assembly Replacement

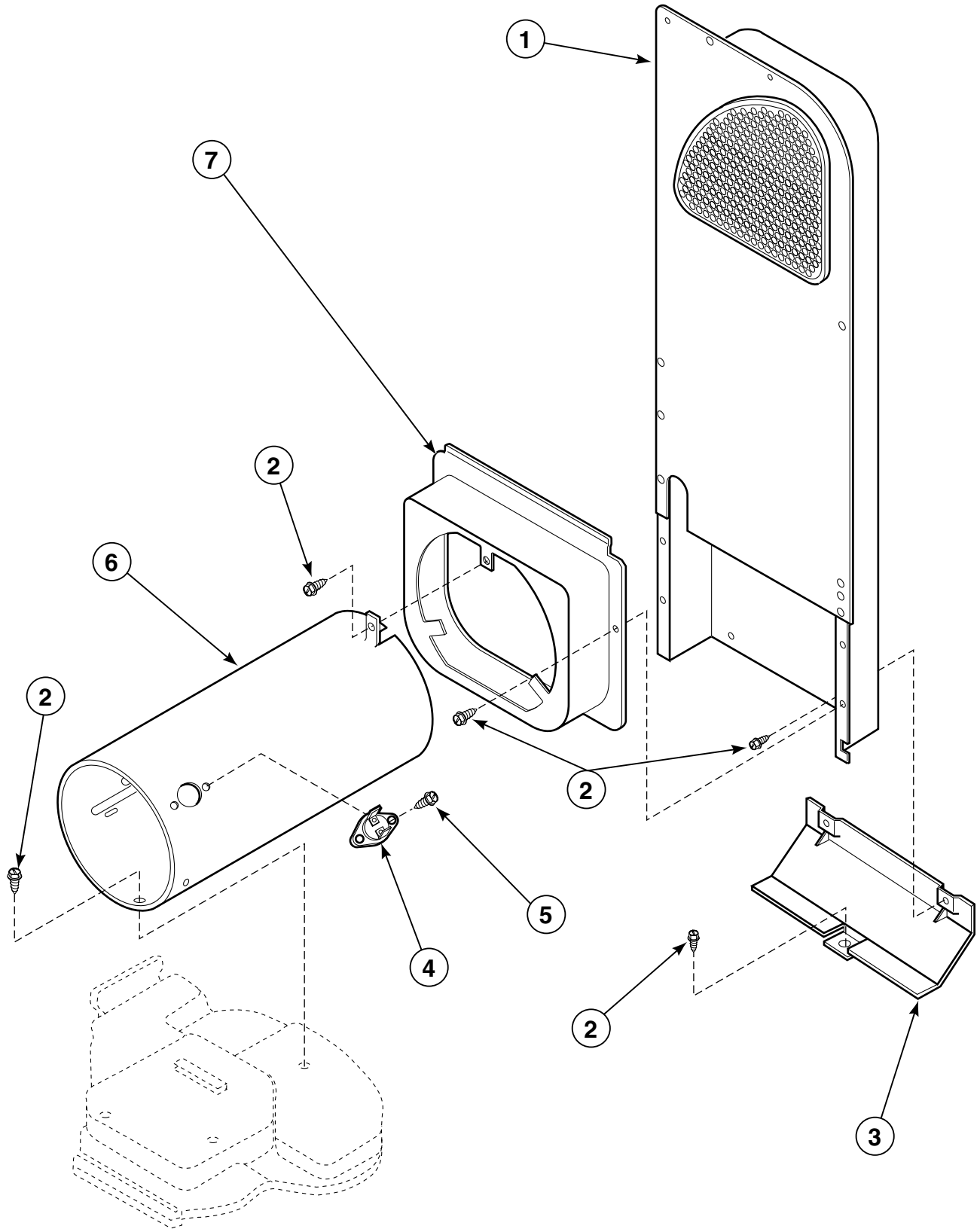


D135PZ3B

Heater Box Assembly Replacement

REF	PART #	DESCRIPTION	COMMENTS
1	510025P	Heater Box Assembly	
2	500820	Outlet Cover	Replaceable on the 510025P Heater Box Assembly only
3	503688	Screw	

Heater Box Assembly Originally on Gas Dryer



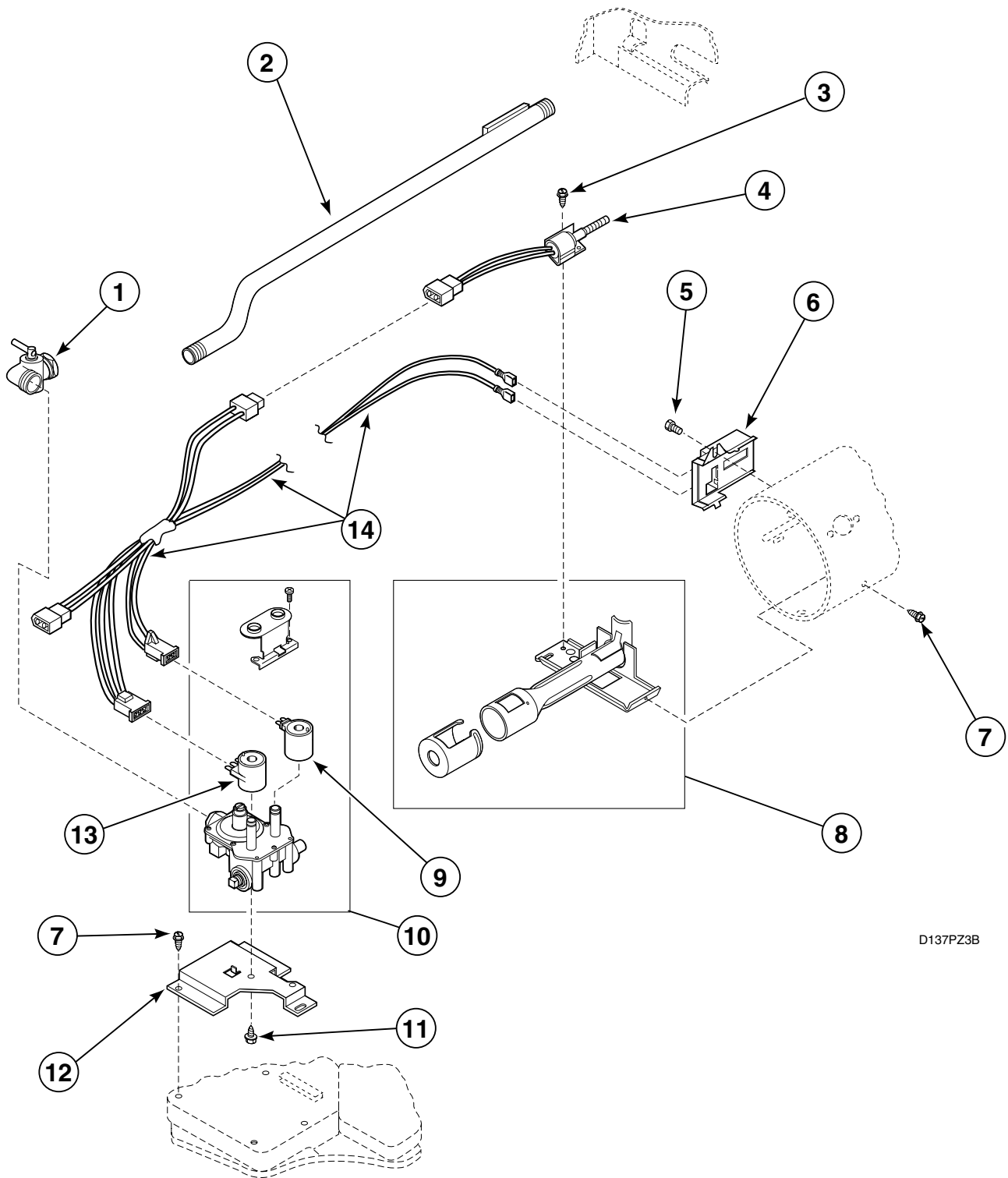
D136PZ3D

Heater Box Assembly Originally on Gas Dryer

REF	PART #	DESCRIPTION	COMMENTS
1	510025P	Heater Box Assembly	
2	503688	Screw	
3	60952	Heat Shield	
4	510702	Limit Thermostat	
5	51782	Screw	
6	61974	Burner Housing	Includes item 4
7	510101	Heat Shroud	

Gas Valve, Igniter and Gas Conversion Kits

Gas Models



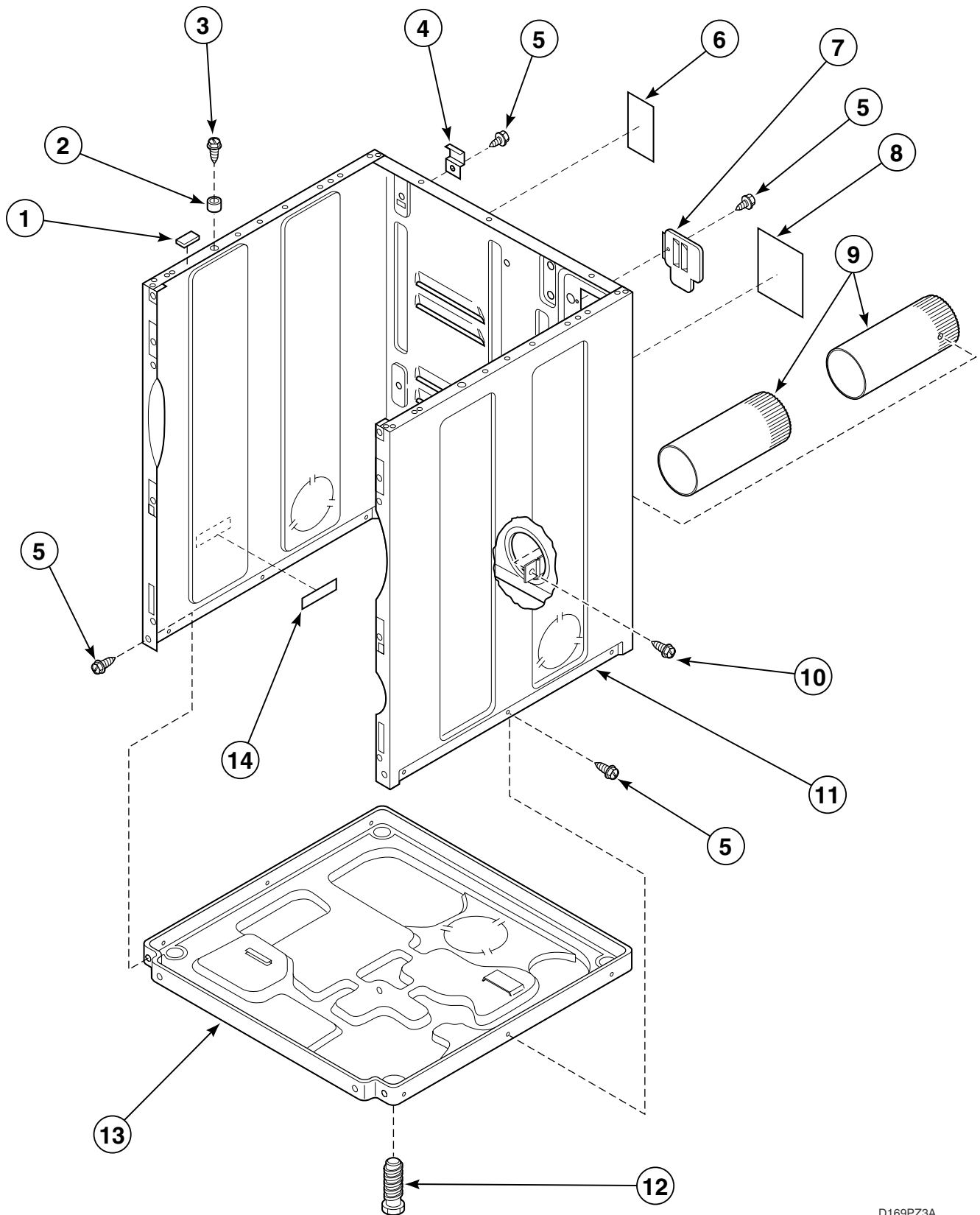
D137PZ3B

Gas Valve, Igniter and Gas Conversion Kits

Gas Models

REF	PART #	DESCRIPTION	COMMENTS
	500692	Wire Harness	
	500694	Wire Harness	
	500695	Wire Harness	
	501885	Wire Harness	
	501886	Wire Harness	
1	510205	Shut-Off Valve	
2	510204	Lead-In Pipe Assembly	
3	51782	Screw	
4	510184	Igniter and Bracket Assembly	
5	23222	Screw	
6	510213	Sensor	
7	503688	Screw	
8	510149	Burner Assembly	
9	58804B	Secondary Coil	
10	510506	Gas Valve Assembly	
11	56124	Screw	
12	510128	Mounting Bracket	
13	58804A	Holding and Booster Coil	
14	510530	Wire Harness	

Cabinet, Exhaust Duct and Base



D169PZ3A

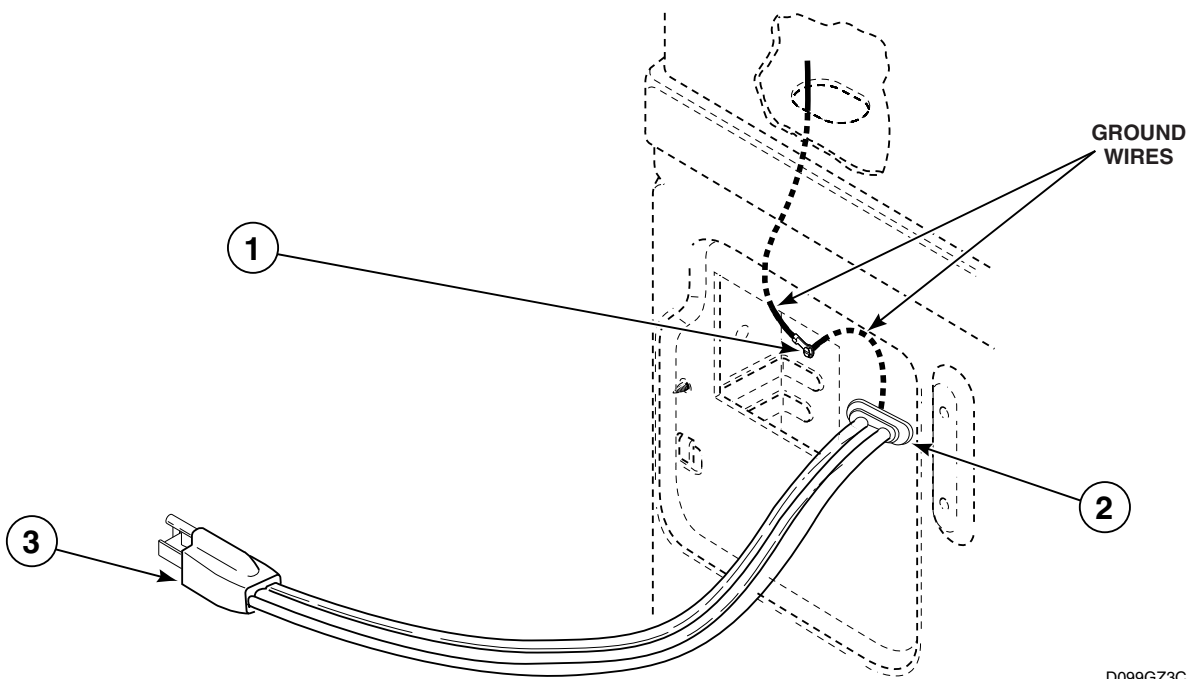
Cabinet, Exhaust Duct and Base

REF	PART #	DESCRIPTION	COMMENTS
	521P3	Flexible Venting Kit	
	528P3	Directional Exhaust Kit	Used to vent dryer out the sides or bottom
1	56128	Bumper	
2	56079	Locator	
3	32671	Screw	
4	510136	Top Hinge	
5	33562	Screw	
6	511004	Sticker	Gas models
7	510903	Access Plate	
8	511005	Sticker	Electric models
9	510137	Exhaust Duct	2 required per dryer
10	503688	Screw	
11	727P3*	Cabinet	
12	510135	Leveling Leg	
13	510084	Base	
14	61294	Sticker	Electric models

* Add Letter To Designate Color. L – Almond W – White

Power Cord

All Gas Models



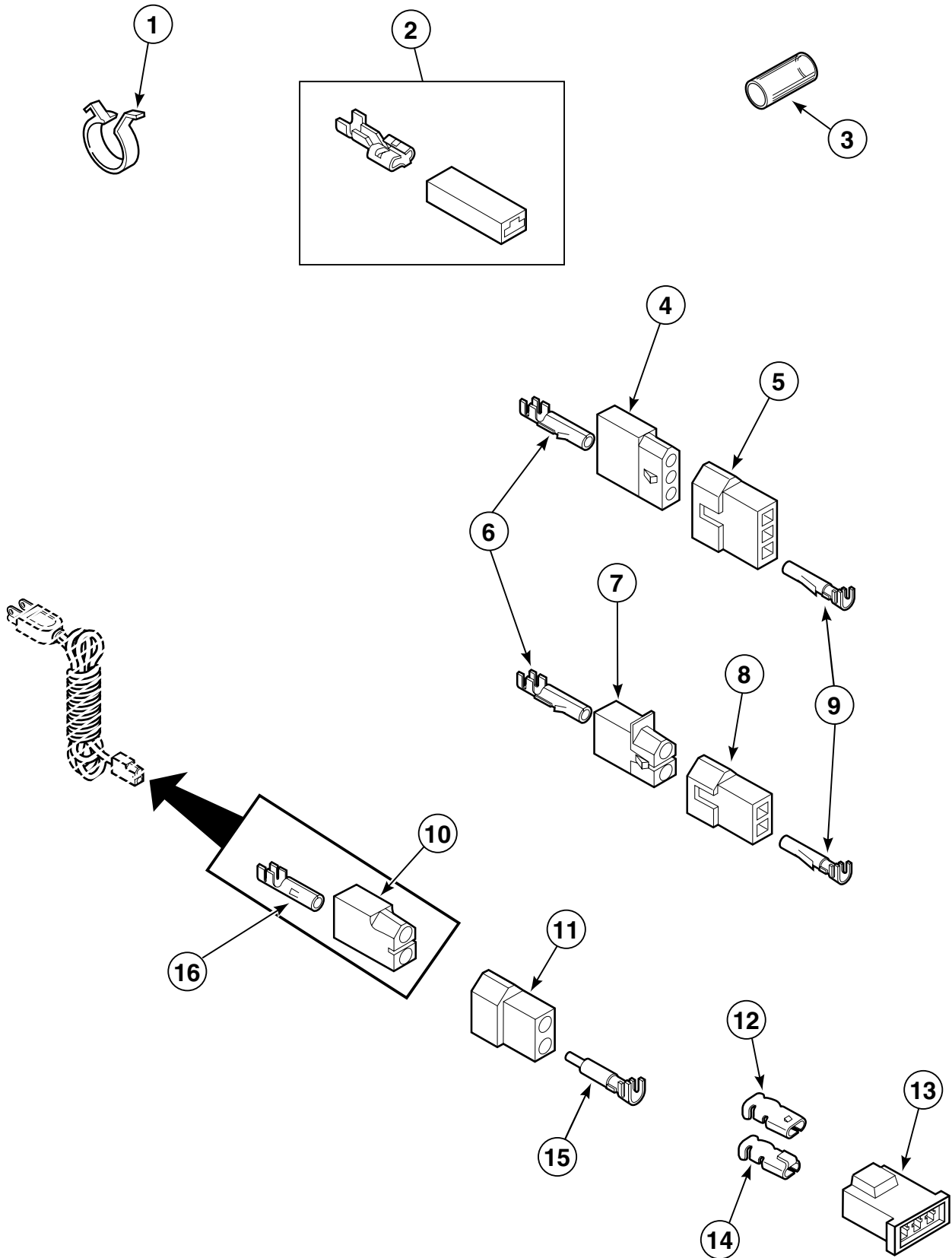
D099GZ3C

Power Cord

All Gas Models

REF	PART #	DESCRIPTION	COMMENTS
1	20530	Screw	Use with painted and unpainted bulkhead
	503668	Screw	Use with Stainless Steel bulkhead
2	38384	Strain Relief	
3	56222	Power Cord	

Terminals



D250PZ3B

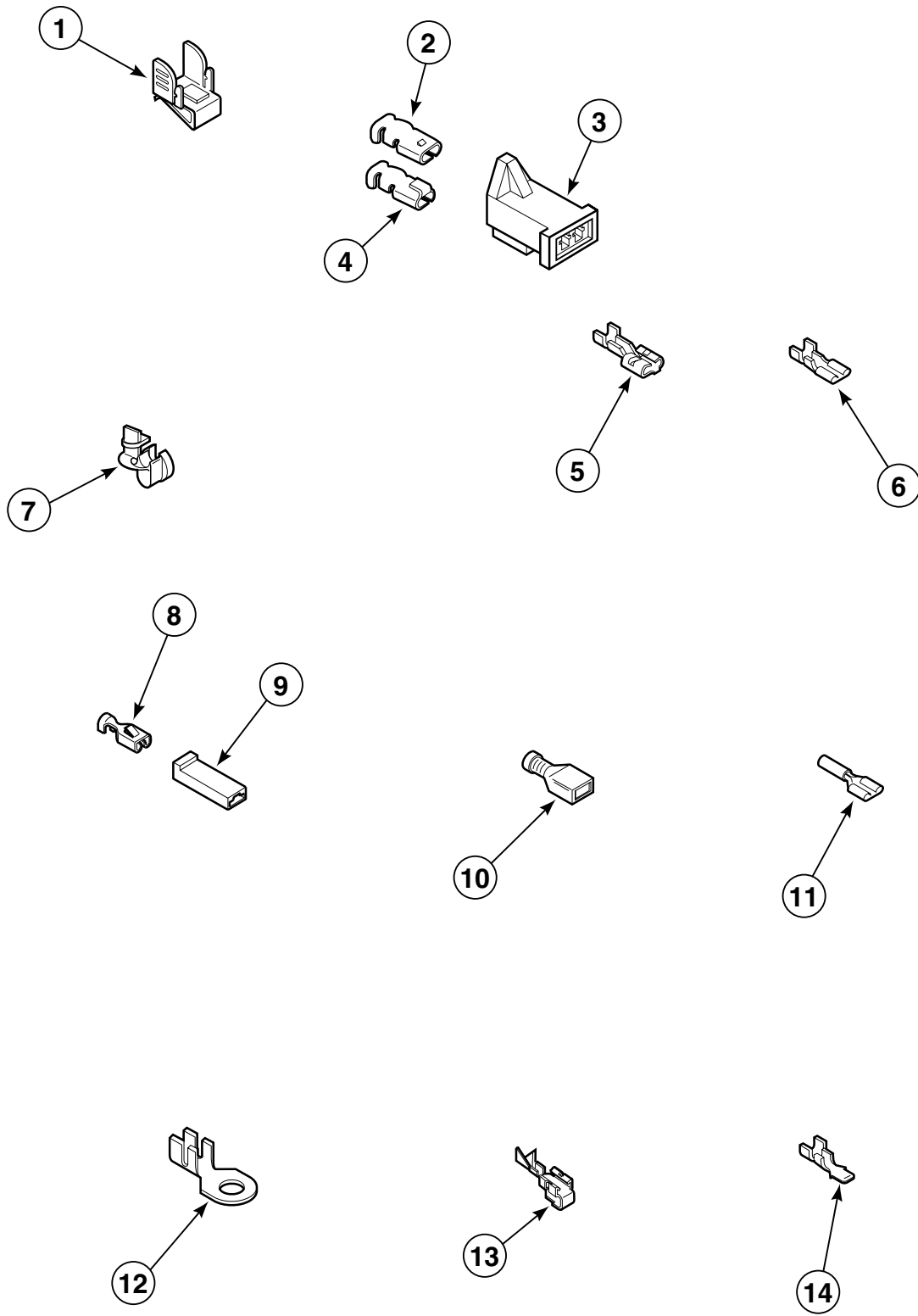
Terminals

REF	PART #	DESCRIPTION	COMMENTS
1	504034	Wire Clip	
2	00237	Insulated Spade Terminal	1/4 inch; (1) 12 gauge wire or (2) 18 gauge wires
3	503670	Insulator Sleeve	
4	23039	Terminal Block Receptacle	3 circuit
5	23040	Terminal Block Plug	3 circuit
6	00117	Pin Terminal	
7	56451	Terminal Block Receptacle	2 circuit
8	56448	Terminal Block Plug	2 circuit
9	00116	Pin Terminal	
10	56265	Terminal Block Receptacle	2 circuit; N/A
11	56266	Terminal Block Plug	2 circuit
12	00189	Spade Terminal	
13	58800	Terminal Block	3 circuit connector
14	00361	Terminal	Receptacle connector 4
15	00127	Pin Terminal	
16	00130	Pin Terminal	

* Add Letter To Designate Color. L – Almond W – White

N/A = Part no longer available

Terminals



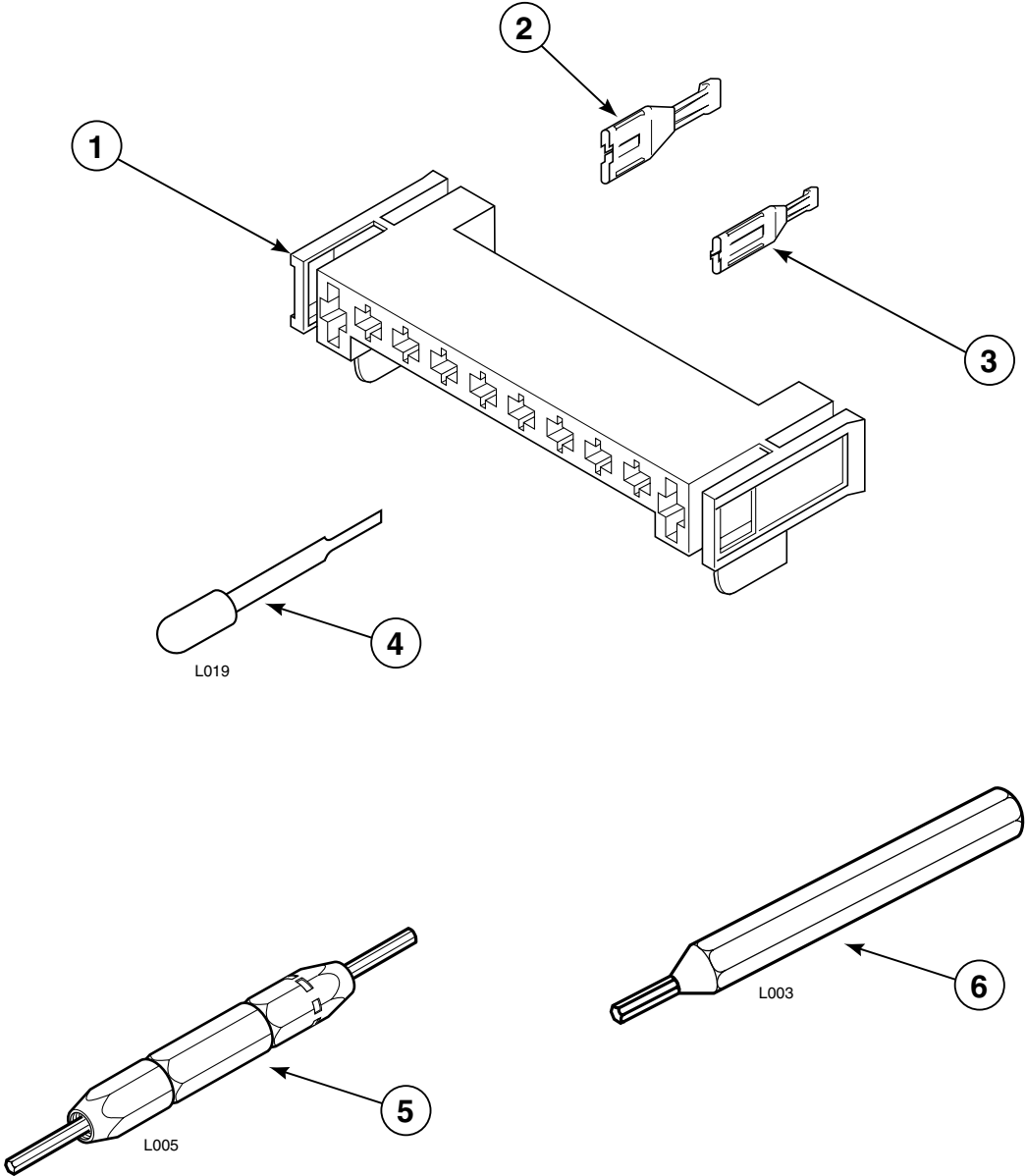
D251PZ3A

Terminals

REF	PART #	DESCRIPTION	COMMENTS
1	00161	Ground Clip	
2	00189	Spade Terminal	
3	58799	Terminal Block	2 circuit
4	00361	Terminal	Receptacle connector
5	00223	Spade Terminal	1/4 inch; (1) 18 gauge wire
	00121	Spade Terminal	1/4 inch; (2) 18 gauge wires or (1) 12 gauge wire
	00245	Spade Terminal	1/4 inch; (1) 22 gauge wire
6	00124	Spade Terminal	3/16 inch; (1) 18 gauge wire; .020 tab
	00156	Spade Terminal	3/16 inch; Thermostat Wire; .032 tab
	00209	Spade Terminal	3/16 inch; (2) 18 gauge wires; .020 tab
7	38384	Strain Relief	
8	00115	Lock-In Spade Terminal	1/4 inch; (1) 18 gauge wire
	00321	Lock-In Spade Terminal	1/4 inch; (2) 18 gauge wires or (1) 12 gauge wire
9	90789	Connector	
10	00234	Insulated Spade Terminal	1/4 inch
	00165	Insulated Spade Terminal	3/16 inch
11	00214	Barrel Insulated Spade Terminal	1/4 inch; 18 gauge wire
	00215	Barrel Insulated Spade Terminal	1/4 inch; 12 gauge wire
12	00110	Ring Terminal #10	(1) 18 gauge wire
	00111	Ring Terminal #10	(2) 18 gauge wires or (1) 12 gauge wire
13	00114	Spade Terminal	1/4 inch; Double connector
14	00139	Tab Terminal	1/4 inch

* Add Letter To Designate Color. L – Almond W – White

Motor Connection Block, Terminals and Terminal Extractor Tools



D153PZ3B

Motor Connection Block, Terminals and Terminal Extractor Tools

REF	PART #	DESCRIPTION	COMMENTS
1	500338	Motor Connection Block	Molex; 10 circuit
2	00255	Spade Terminal	1/4 inch; For (1) 12 gauge wire
	00256	Spade Terminal	1/4 inch; For (1) or (2) 18 gauge wires
3	00188	Molex Terminal	For 1 or 2 wire application
4	283P4	Terminal Extractor Tool	For use on molex connectors; N/A
5	190P4	Terminal Extractor Tool	For use on electric dryer terminals
6	128P4	Terminal Extractor Tool	For use on gas dryer terminals

N/A = Part no longer available

Wire Harnesses and Wires

Individual wires are not available separately. Order complete wire harness or order wire by the foot. See chart below.

MODEL NUMBER	WIRE HARNESS PART NUMBER
AEM407*2, AEM427*2	501885
AEM477*2, AEM497*2	500694
AEM677*2, AEM697*2	500692
AGM409*2, AGM429*2	501886
AGM479*2, AGM499*2	500695
AGM4697*2, AGM699*2	N/A

* Add Letter To Designate Color. L – Almond W – White

N/A = Part no longer available

Order the individual wire color and gauge by the part number listed below. Order wire by the foot and terminals and connectors as required. It is recommended when applying terminals to wires that the terminals be soldered to the wires.

IMPORTANT: Always replace wires with proper gauge.

PART NUMBER	WIRE GAUGE	WIRE COLOR
45001	18 Gauge Wire	Black
45380	12 Gauge Wire	Orange

Production Literature

Part numbers do not include revision levels.

MODEL NUMBER	USE AND CARE PART NUMBER	INSTALLATION PART NUMBER
AEM407*2, AEM427*2, AGM409*2, AGM429*2	N/A	502195
AEM477*2, AEM497*2, AGM479*2, AGM499*2	N/A	502195
AEM677*2, AEM697*2, AGM679*2, AGM699*2	502196	502195

* Add Letter To Designate Color. L – Almond W – White

N/A = Part no longer available

Gas Burner Conversion Kits

TO CONVERT DRYERS FROM NATURAL/MIXED TO LP 401P3 Conversion Kit consists of:		TO CONVERT DRYERS FROM LP TO NATURAL/MIXED 402P3 Conversion Kit consists of:	
1 - 503745	French LP Sticker	1 - 9-96-56	NG Conversion Instructions
1 - 503749	Spanish LP Sticker	1 - 503746	French NG Sticker
1 - 503752	French Conversion Plate	1 - 503750	Spanish NG Sticker
1 - 503754	Spanish Conversion Plate	1 - 503751	French Conversion Plate
1 - 58754	Block-Open Plug	1 - 58719	Burner Orifice Spud (#44)
1 - 58755	Burner Orifice Spud (#55)	1 - 58768	Vent Screw
1 - 60517	Valve Converted to LP Gas Sticker	1 - 61505	Conversion Plate
1 - 9-96-55	LP Conversion Instructions	1 - 60516	Valve Converted to NG Sticker
2 - 60520	LP Gas Sticker	1 - 503753	Spanish Conversion Plate
		2 - 60521	Natural Gas Sticker

Parts Index

A

Access Plate	
510903	31
Adhesive	
22506P	21
Adhesive for Cylinder Seal	
22506P	19
Air Duct	
502231	19

B

Baffle	
503703	19
Barrel Insulated Spade Terminal	
00214	37
00215	37
Base	
510084	17, 19, 31
Belt	
510178	17
Block-Open Plug	
58754	40
Bulb	
60954	19
Bumper	
56128	31
Burner Assembly	
510149	29
Burner Housing	
61974	27
Burner Orifice Spud	
58719	40
58755	40

C

Cabinet	
727P3*	11, 31
Cabinet Top	
510029*P	11
Connector	
90789	37
Control Hood Assembly	
59937	5
Control Hood Assembly	
59937	7, 9
62745	5, 7, 9
Control Hood Rear Panel	
510099	11
Control Knob Assembly	
33610	7, 9
33688	7, 9
Control Panel Trim	
61849R	5, 7, 9

Conversion Plate	
503751	40
503752	40
503753	40
503754	40
61505	40
Copper Washer	
51474	21
Cylinder Assembly	
510159W	19
Cylinder Glide	
510187	19
Cylinder Light Housing	
503622	19
Cylinder Roller	
510708P	21
Cylinder Seal	
510207P	19, 21

D

Directional Exhaust Kit	
528P3	31
Door Catch	
510177	15
Door Hinge	
510519	13
Door Hinge Mounting Clip	
500236	13
Door Pull	
500042W	13
Door Seal	
500200	13
Door Striker	
510181	13
Door Striker Bracket	
510127	13
Door Switch	
504570	15

E

18 Gauge Wire	
45001	40
End Cap	
31248	5, 7, 9
31249	5, 7, 9
Exhaust Duct	
510137	31
Exhaust Fan Housing	
510138P	17
Exhaust Fan Impeller	
510139	17

F

Felt Pad	
510189	19

Flexible Venting Kit	
521P3	31
Front Bulkhead	
511033W	19
Front Panel	
500033*	13, 15
Front Panel Seal	
500034	15

G

Gas Burner Conversion Kit	
401P3	40
402P3	40
Gas Valve Assembly	
510506	29
Glide Bracket	
510145	19
Graphic Panel	
502200	9
502201	7
502202	5
502203	7
502445	9
Ground Clip	
00161	37
Guide Lug	
56079	15

H

Heat Shield	
60952	23, 27
Heat Shroud	
510101	27
Heater Assembly	
61927	23
61928	23
Heater Box Assembly	
510025P	23, 25, 27
Hold-Down Bracket	
510297	11
Hold-Down Clip	
28835	15
Holding and Booster Coil	
58804A	29

I

Idler Lever	
510133	17
Idler Pulley	
510142	17
Idler Pulley and Lever Assembly	
510158	17
Igniter and Bracket Assembly	
510184	29
Inner Door Panel and Seal	
500199	13

Insulated Spade Terminal	
00165	37
00234	37
00237	35
Insulator Sleeve	
503670	35

L

Lead-In Pipe Assembly	
510204	29
Lens	
503623	19
Leveling Leg	
510135	31
Limit Thermostat	
510701	23
510702	27
Lint Filter	
503627	19
Lint Filter Cover	
502092	19
Locator	
56079	31
Lock-In Spade Terminal	
00115	37
00321	37
Locknut	
56156	17, 21
Lower Access Panel	
510069*	15

M

Molex Terminal	
00188	39
Motor Assembly	
510508P	17
Motor Connection Block	
500338	39
Motor Hub Ring Kit	
590P3	17
Motor Mounting Bracket	
510060	17
Motor Mounting Clamp	
510180	17
Motor Pulley	
500011	17
Motor Switch	
501218	17
Mounting Bracket	
510128	29

N

Nut	
52566	17
57584	7

O

Outer Door Panel	
500040*	13
Outlet Cover	
500820	25

P

Pin Terminal	
00116	35
00117	35
00127	35
00130	35
Power Cord	
56222	33

R

Rear Bulkhead	
510905W	21
Retainer Ring	
23748	17, 21
Ring Terminal #10	
00110	37
00111	37
Roller Bracket	
510100	21

S

Screw	
20530	11, 17, 21, 33
23222	17, 23, 29
31260	7, 9, 17
31752	5, 7, 9
32671	15, 31
32993	5, 7, 9
33561	17
33562	11, 15, 17, 31
500226	13, 19
500297	13
500824	17
501086	5, 7, 9, 11
501285	19, 21
501668	17
503661	19
503668	33
503688	21, 23, 25, 27, 29, 31
505870	15, 19
51782	27, 29
56124	29
61199	21
62588	19
Seal	
500313	17
Secondary Coil	
58804B	29
Sensor	
510213	29
Shaft	
56461	17, 21

Shut-Off Valve	
510205	29
Signal Control	
500823	7, 9
Spade Terminal	
00114	37
00121	37
00124	37
00156	37
00189	35, 37
00209	37
00223	37
00245	37
00255	39
00256	39
Spring	
510185	17
Sticker	
24903	11
500049	19
500281	15
503745	40
503746	40
503749	40
503750	40
511004	15, 31
511005	31
56259	19
60516	40
60517	40
60520	40
60521	40
61294	31
Strain Relief	
38384	33, 37
Switch Bracket	
59704	7

T

Tab Terminal	
00139	37
Temperature Switch	
62173	9
Temrperature Switch	
61511	7
Terminal	
00361	35, 37
Terminal Block	
510190P	21
58799	37
58800	35
Terminal Block Plug	
23040	35
56266	35
56448	35
Terminal Block Receptacle	
23039	35
56265	35
56451	35
Terminal Extractor Tool	
128P4	39
190P4	39
283P4	39

Thermal Fuse	
510183	23
Thermostat	
503979	17
504514	17
61372	17
Thermostat Heater	
61401	17
Timer	
501881	5
502963	7
502967	9
Timer Knob Assembly	
62176	5, 7, 9
62234	5, 7, 9
Top Hinge	
510136	31
12 Gauge Wire	
45380	40

V

Vent Screw	
58768	40

W

Washer	
52549	17, 21
Wire Clip	
504034	35
Wire Harness	
500692	29, 40
500694	29, 40
500695	29, 40
501885	29, 40
501886	29, 40
510530	29