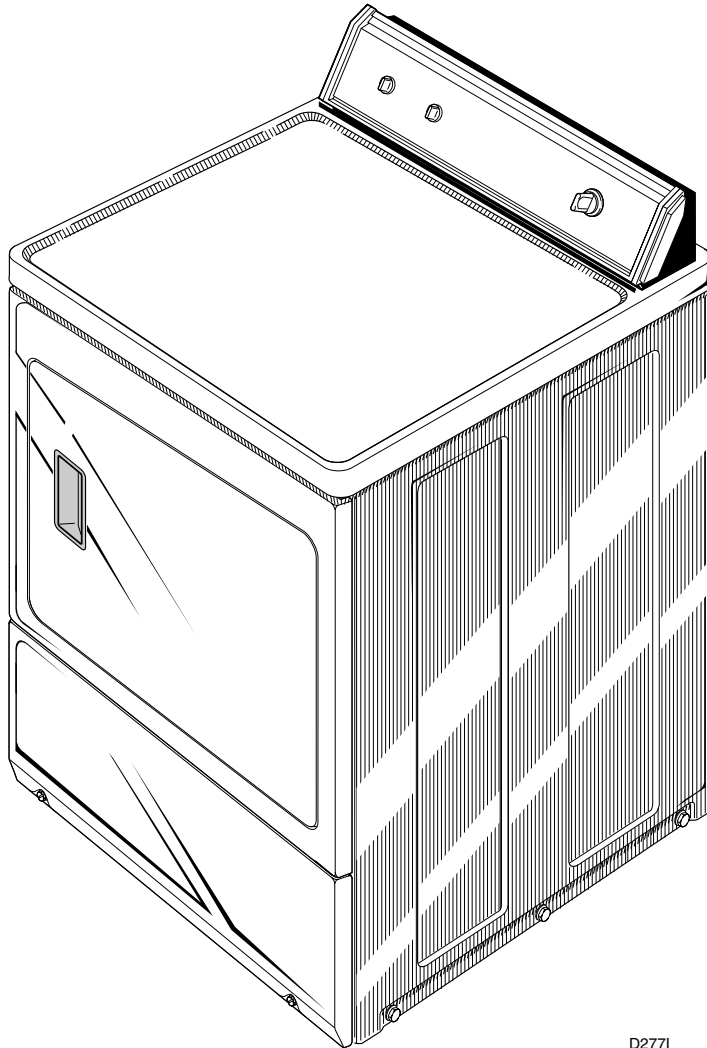


Home Laundry Dryers

Refer to Page 3 for Model Numbers



D2771

Parts

Table of Contents

Title	Page
Parts Ordering Information	2
Nameplate Location	2
Model Identification	3
Graphic Panel, Control Hood and Controls	4
Graphic Panel, Control Hood and Controls	6
Cabinet Top and Control Hood Rear Panel	8
Loading Door	10
Lower Access Panel, Front Panel and Seal	12
Motor, Exhaust Fan and Belt	14
Front Bulkhead, Air Duct, Felt Seal and Cylinder	16
Rear Bulkhead, Felt Seal, Cylinder Roller and Terminal Block	18
Heater Duct and Element Assembly (Electric Models)	20
Heater Duct Assembly (Gas Models)	22
Heater Duct Assembly Replacement	24
Gas Valve, Igniter and Gas Conversion Kits (Gas Models)	26
Cabinet, Exhaust Duct and Base	28
Power Cord (Electric Models)	30
Power Cord (Gas Models)	32
Terminals	34
Terminals	36
Motor Connection Block and Terminal Extractor Tools	38
Wire Harnesses and Wires	40
Production Literature	40
Parts Index	41

© Copyright 2000, Alliance Laundry Systems LLC

All rights reserved. No part of the contents of this book may be reproduced or transmitted in any form or by any means without the expressed written consent of the publisher.

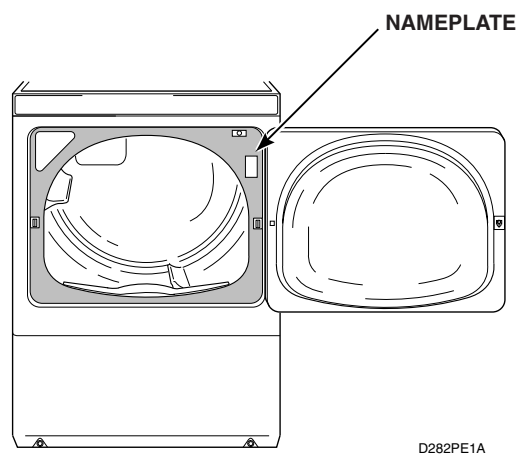
Parts Ordering Information

If literature or replacement parts are required, contact the source from whom the machine was purchased or contact Alliance Laundry Systems at (920) 748-3950 for the name and address of the nearest authorized parts distributor.

For technical assistance, call (920) 748-3121.

Nameplate Location

When calling or writing about your product, be sure to mention model and serial numbers. Model and serial numbers are located on nameplate(s) as shown.



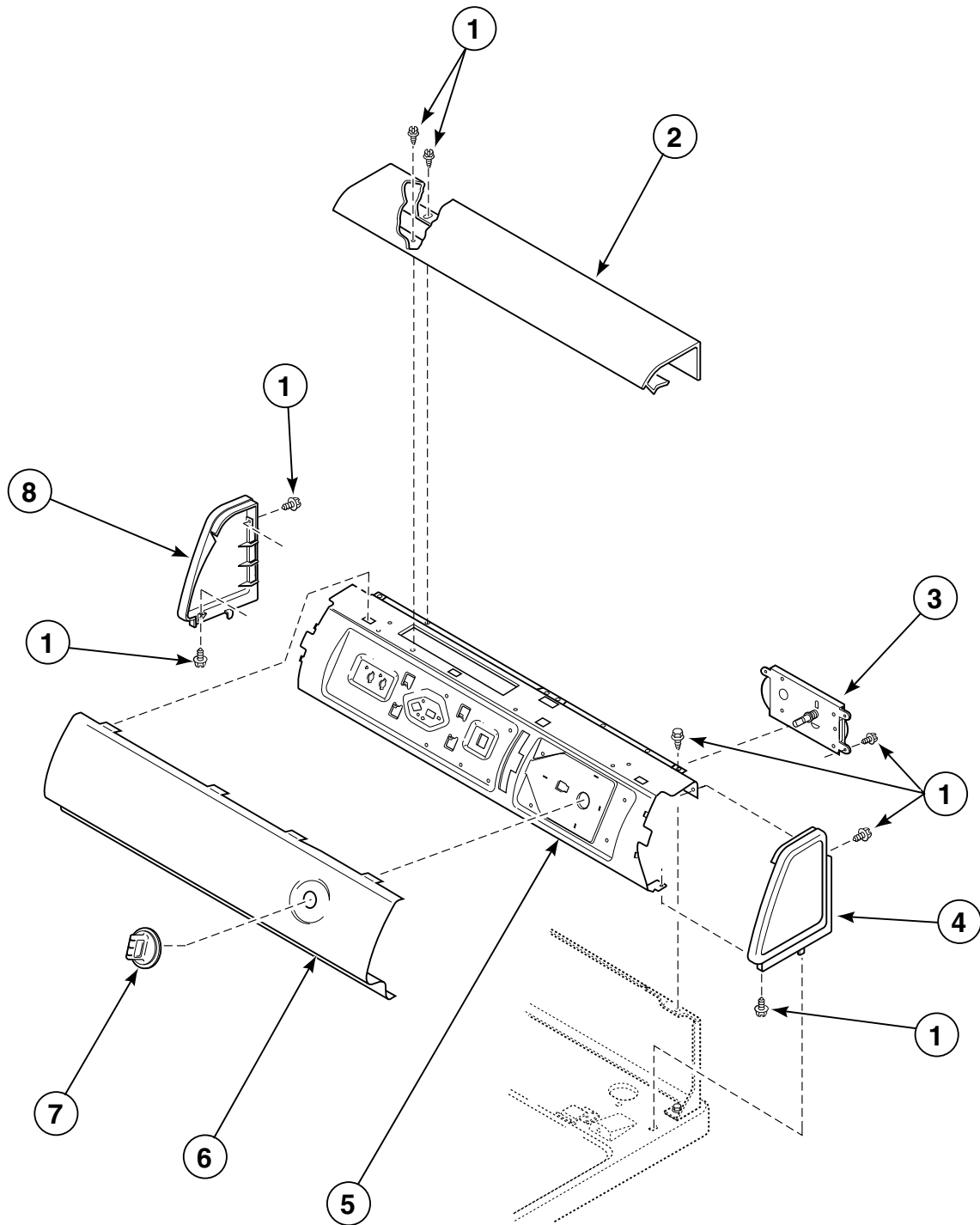
Model Identification

Information in this manual is applicable to these dryers:

Model Number	Manufacturing Number	Electric Heat	Gas Heat	Timer Model	Cylinder Light	Cylinder Type
LES10AW	PLES10AW	X		X		Painted
LES19AW	PLES19AW	X		X		Painted
LES33AW	PLES33AW	X		X		Painted
LES34AW	PLES34AW	X		X	X	Painted
LGS10AW	PLGS10AW		X	X		Painted
LGS19AW	PLGS19AW		X	X		Painted
LGS33AW	PLGS33AW		X	X		Painted
LGS34AW	PLGS34AW		X	X	X	Painted

Graphic Panel, Control Hood and Controls

Models LES10A* and LGS10A*



D283PZ3D

* Add Letter To Designate Color. L – Almond W – White

Graphic Panel, Control Hood and Controls

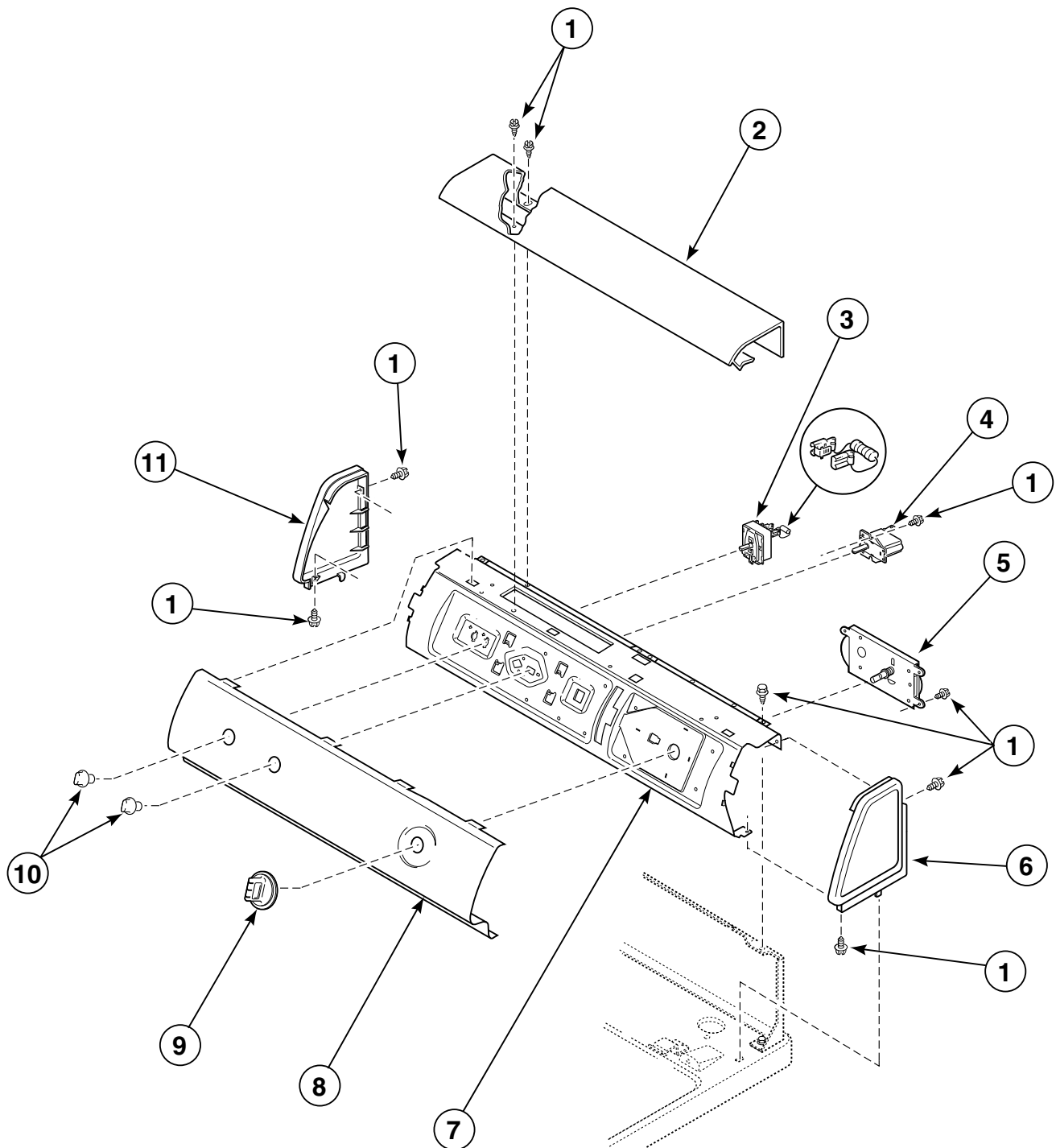
Models LES10A* and LGS10A*

REF	PART #	DESCRIPTION	COMMENTS
1	501086	Screw	
2	505808W	Top Cover	
3	505793P	Timer	Model LES10A*
	504178	Timer	Model LGS10A*
4	504008*	End Cap	Right
5	503901	Support Control Panel	
6	504022W	Graphic Panel	
7	510287W	Timer Knob Assembly	
8	504009*	End Cap	Left

* Add Letter To Designate Color. L – Almond W – White

Graphic Panel, Control Hood and Controls

Models LES19A*, LES33A*, LES34A*, LGS19A*, LGS33A* and LGS34A*



D283PZ3C

* Add Letter To Designate Color. L – Almond W – White

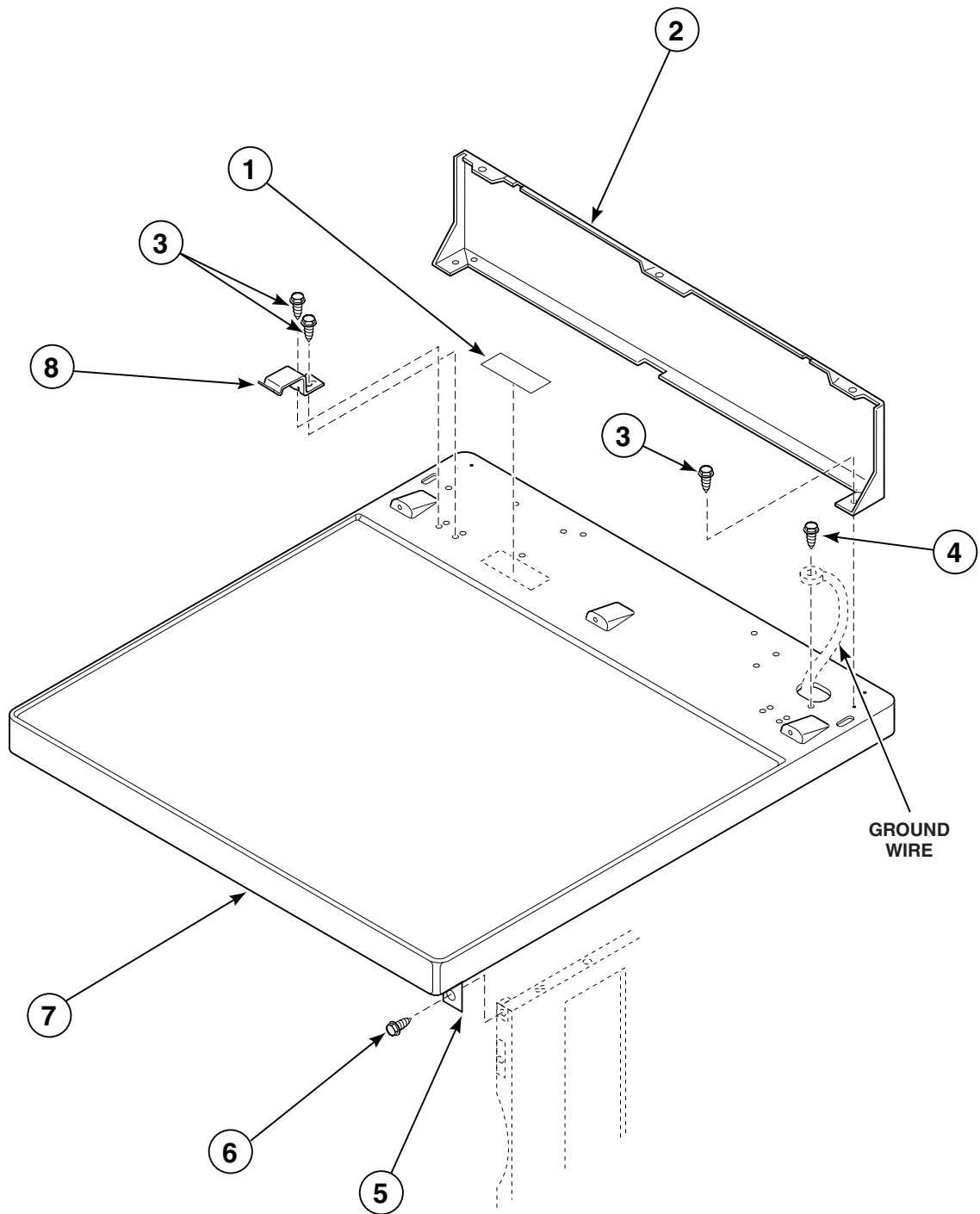
Graphic Panel, Control Hood and Controls

Models LES19A*, LES33A*, LES34A*, LGS19A*, LGS33A* and LGS34A*

REF	PART #	DESCRIPTION	COMMENTS
1	501086	Screw	
2	505808W	Top Cover	
3	510212	Fabric Selector Switch	
4	510211	Signal	
5	505790	Timer	Model LES34A*
	505797P	Timer	Models LES19A* and LES33A*
	505792	Timer	Model LGS34A*
	505794	Timer	Models LGS19A* and LGS33A*
6	504008*	End Cap	Right
7	503901	Support Control Panel	
8	504020W	Graphic Panel	Models LES33A* and LGS33A*
	504197W	Graphic Panel	Models LES19A* and LGS19A*
	504569W	Graphic Panel	Models LES34A* and LGS34A*
9	510287W	Timer Knob Assembly	
10	33688	Switch Knob Assembly	
11	504009*	End Cap	Left

* Add Letter To Designate Color. L – Almond W – White

Cabinet Top and Control Hood Rear Panel



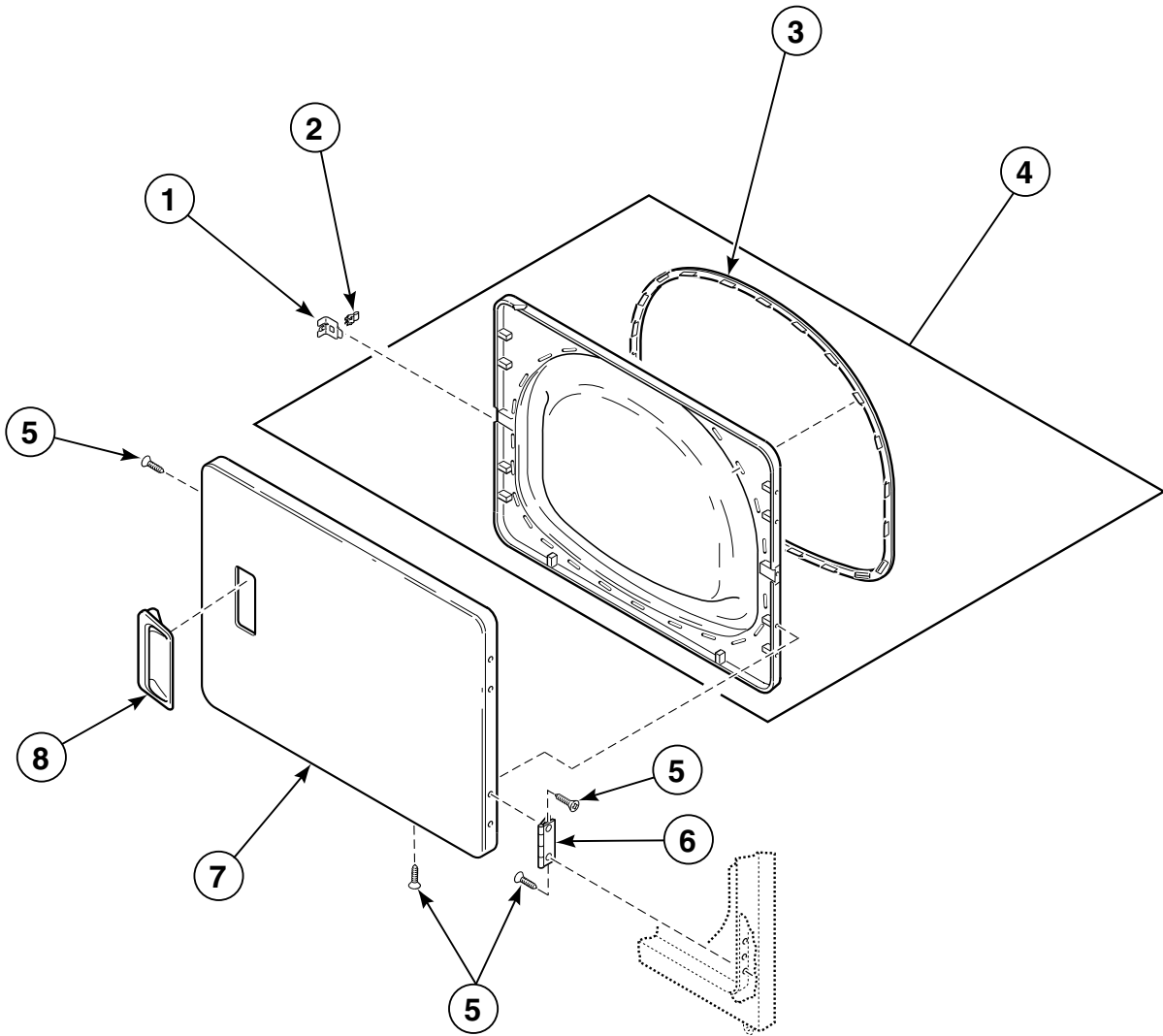
D286PZ3B

Cabinet Top and Control Hood Rear Panel

REF	PART #	DESCRIPTION	COMMENTS
1	24903	Sticker	
2	510099	Control Hood Rear Panel	
3	501086	Screw	
4	503688	Screw	
5	510297	Hold-Down Bracket	
6	503661	Screw	
7	510029*P	Cabinet Top	Includes (2) item 6
8	503876	Hold-Down Clip	

* Add Letter To Designate Color. L – Almond W – White

Loading Door



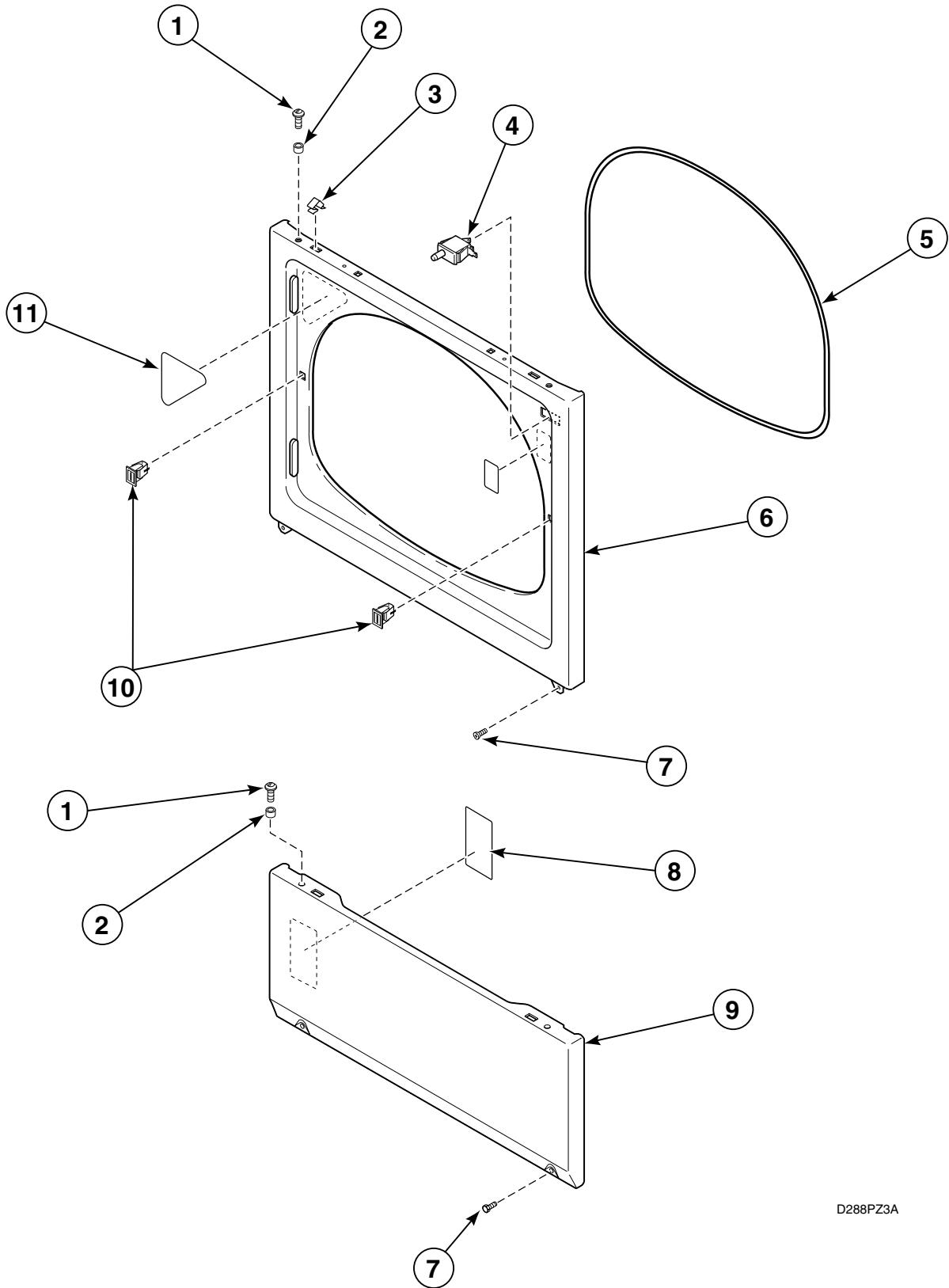
D287PZ3D

Loading Door

REF	PART #	DESCRIPTION	COMMENTS
1	510127	Door Striker Bracket	
2	510181	Door Striker	
3	510147	Door Seal	
4	503643W	Inner Door Panel and Seal	Includes item 3
5	505295	Screw	
6	511036	Door Hinge	
7	511013W	Outer Door Panel	
8	510103*P	Door Pull	

* Add Letter To Designate Color. L – Almond W – White

Lower Access Panel, Front Panel and Seal



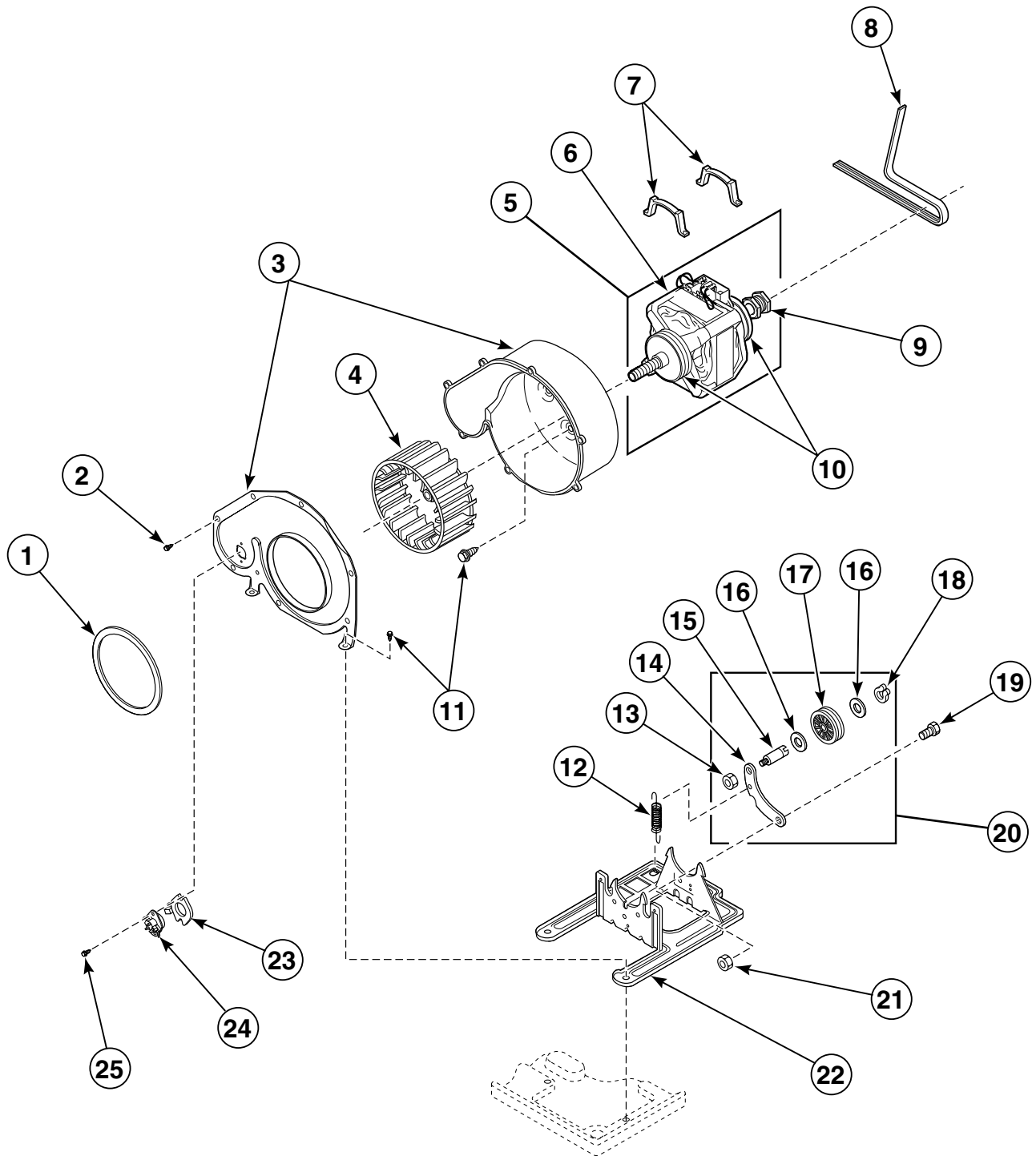
D288PZ3A

Lower Access Panel, Front Panel and Seal

REF	PART #	DESCRIPTION	COMMENTS
1	32671	Screw	
2	56079	Locator	
3	28835	Hold-Down Clip	
4	504570	Door Switch	
5	510236	Front Panel Seal	
6	510066*	Front Panel	
7	503661	Screw	
8	511004	Sticker	Gas models
9	510069*	Lower Access Panel	
10	510177	Door Catch	
11	500281	Sticker	

* Add Letter To Designate Color. L – Almond W – White

Motor, Exhaust Fan and Belt



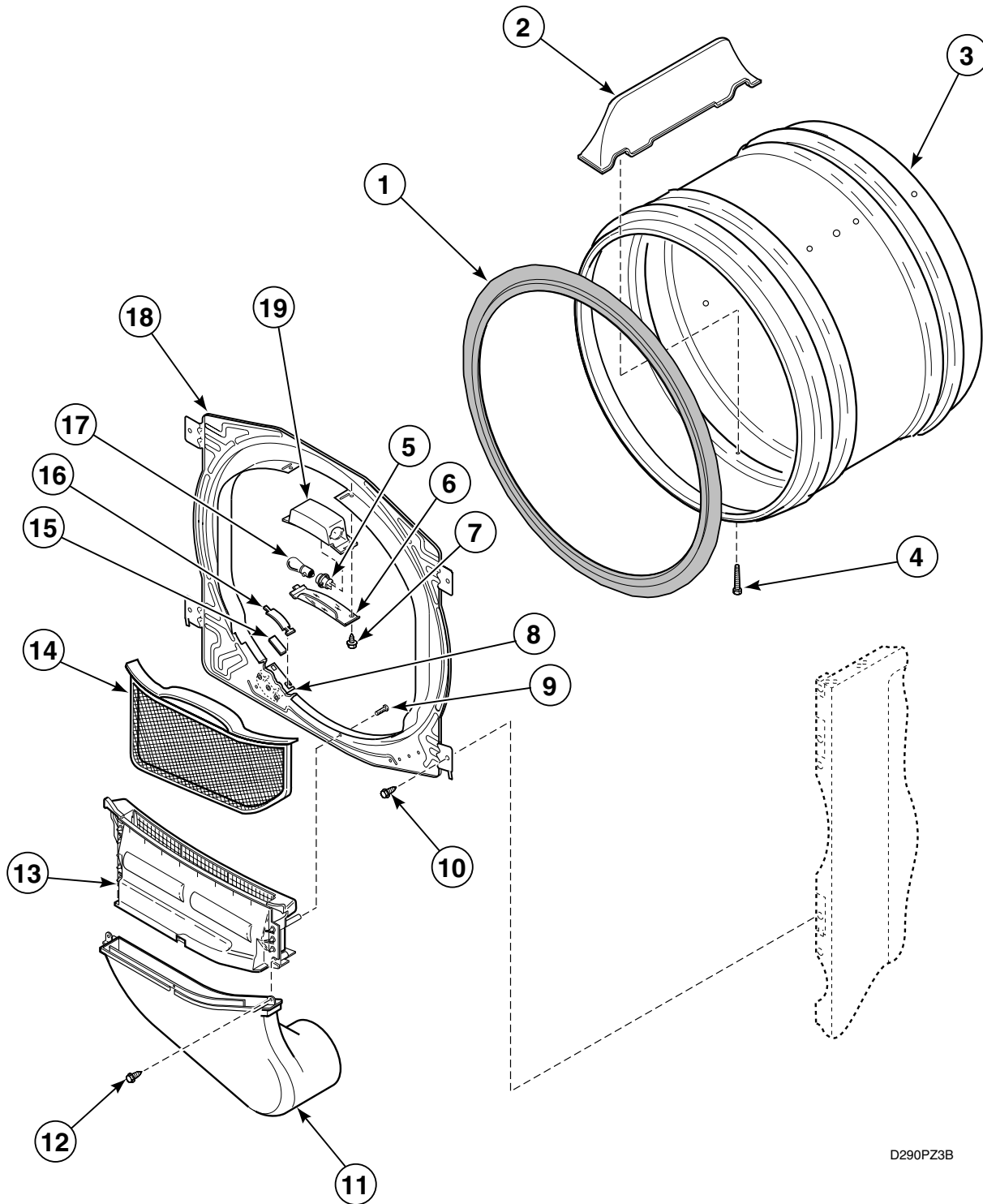
D289PZ3A

Motor, Exhaust Fan and Belt

REF	PART #	DESCRIPTION	COMMENTS
	510717P	Blower Housing Assembly Kit	Includes items 1 through 25
1	510238	Seal	
2	31260	Screw	
3	510138P	Exhaust Fan Cover and Housing	
4	510139	Exhaust Fan Impeller	
5	510508P	Motor Assembly	Includes items 7 and 10
6	501218	Motor Switch	Does not include thermal protector
7	510180	Motor Mounting Clamp	
8	510178	Belt	
9	500011	Motor Pulley	
10	590P3	Motor Hub Ring Kit	
11	503661	Screw	
12	510185	Spring	
13	56156	Locknut	
14	510133	Idler Lever	
15	56461	Shaft	
16	52549	Washer	
17	510142	Idler Pulley	
18	23748	Retainer Ring	
19	500824	Shoulder Screw	
20	510158	Idler Pulley and Lever Assembly	
21	52566	Jam Nut	
22	510060	Motor Mounting Bracket	
23	61623	Heater	Models LES19A*, LES33A*, LGS19A*, LGS33A* and LGS34A*
24	510707P	Thermostat	Models LGS10A*, LGS19A*, LGS33A* and LGS34A*
	504514	Thermostat	Models LES10A*, LES19A*, LES33A* and LES34A*
25	33561	Screw	

* Add Letter To Designate Color. L – Almond W – White

Front Bulkhead, Air Duct, Felt Seal and Cylinder



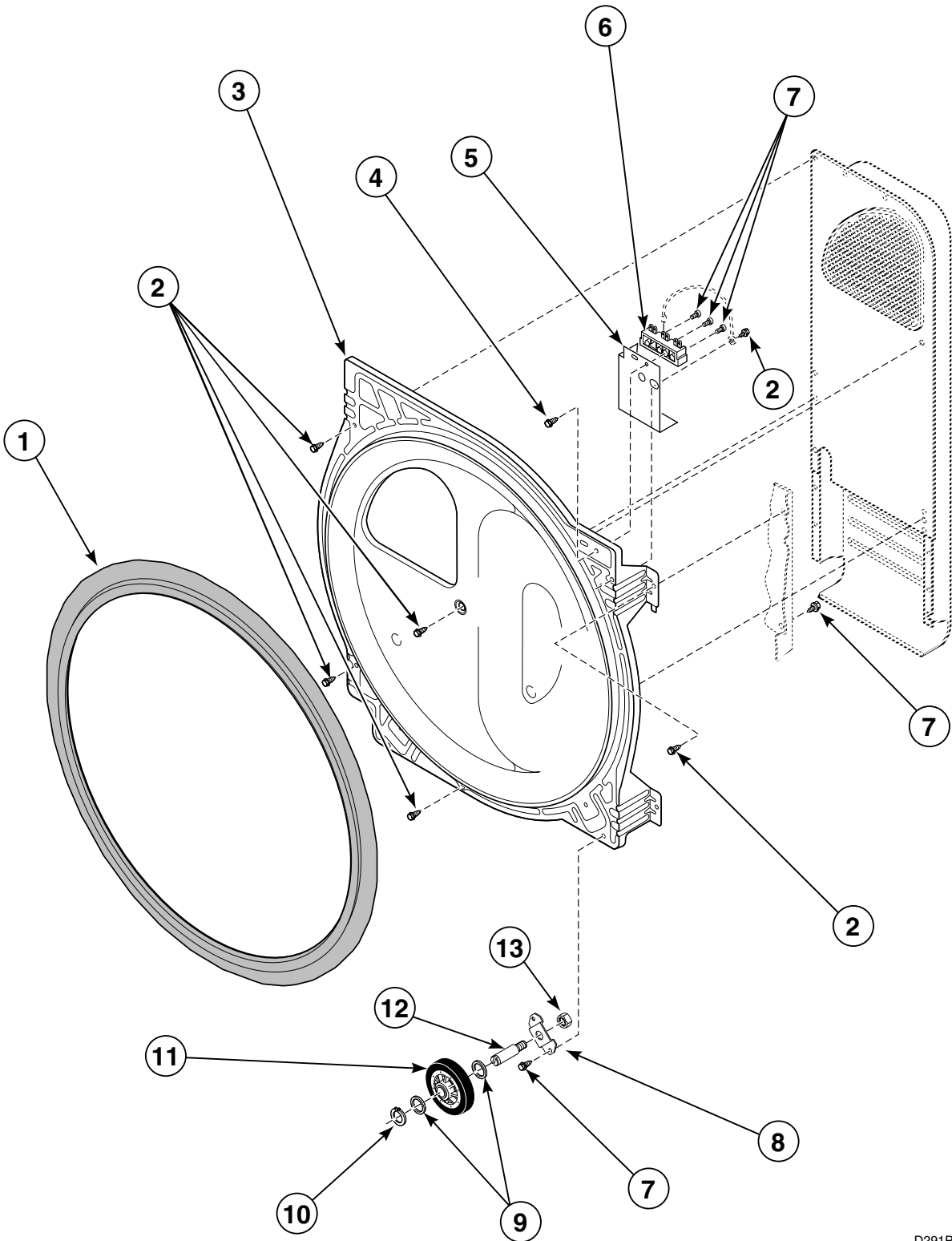
D290PZ3B

Front Bulkhead, Air Duct, Felt Seal and Cylinder

REF	PART #	DESCRIPTION	COMMENTS
	22506P	Adhesive	Cylinder seal to bulkhead
1	510207P	Cylinder Seal	
2	503703	Baffle	
3	510159W	Cylinder Assembly	
4	62588	Screw	
5	504452	Lampholder	
6	503623	Lens	
7	505870	Screw	
8	510145	Glide Bracket	
9	500226	Screw	
10	503661	Screw	
11	510151	Lower Air Duct Assembly	
12	501285	Screw	
13	750P3	Upper Air Duct Assembly	
14	503627	Lint Filter	
15	510189	Felt Pad	
16	510187	Cylinder Glide	1 required per side
17	60954	Bulb	
18	511033W	Front Bulkhead Assembly	White; Models LES10A*, LES19A*, LES33A*, LES34A*, LGS10A*, LGS19A*, LGS33A* and LGS34A*
19	503622	Cylinder Light Housing	

* Add Letter To Designate Color. L – Almond W – White

Rear Bulkhead, Felt Seal, Cylinder Roller and Terminal Block



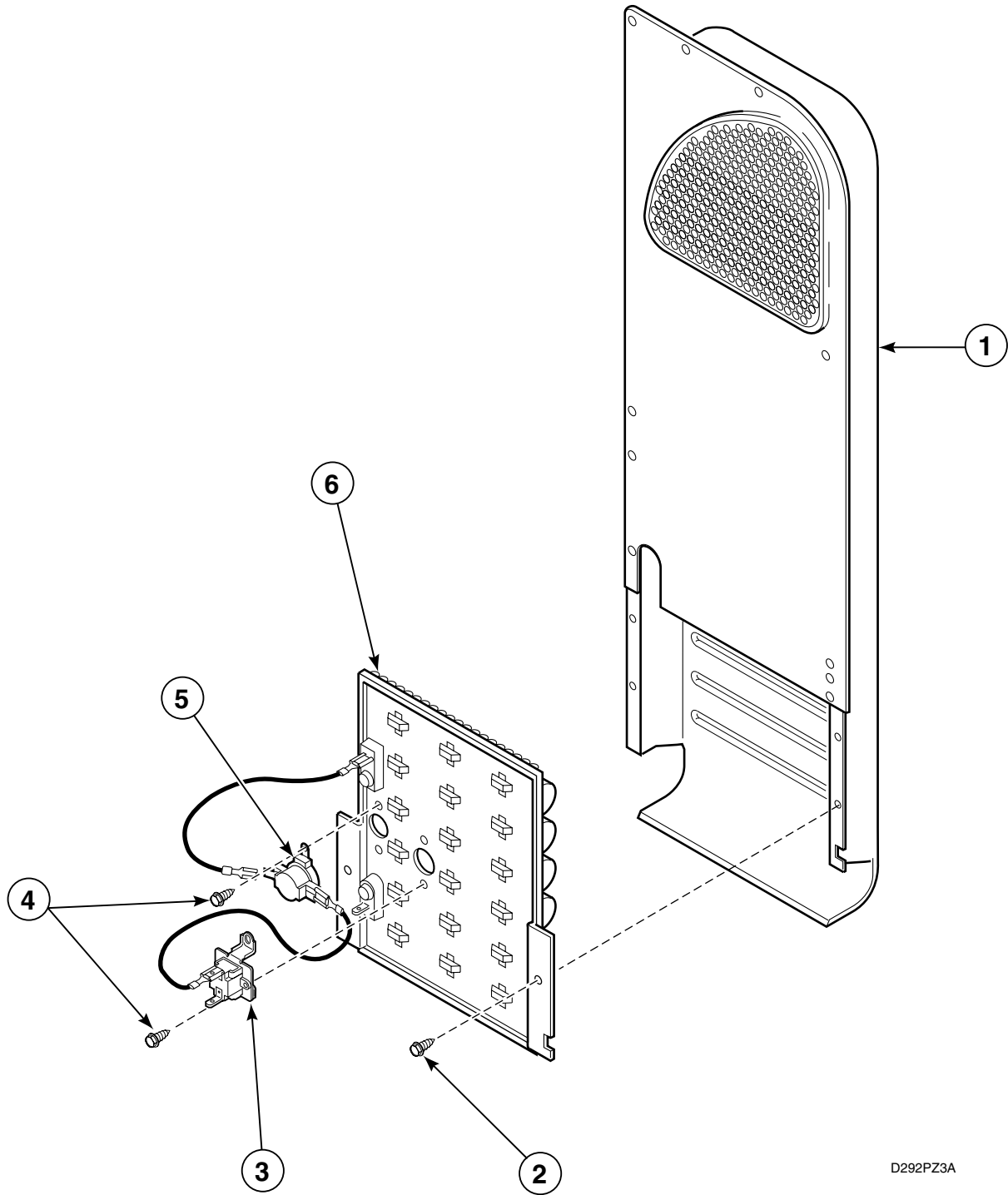
D291PZ3A

Rear Bulkhead, Felt Seal, Cylinder Roller and Terminal Block

REF	PART #	DESCRIPTION	COMMENTS
	22506P	Adhesive	Cylinder seal to bulkhead
1	510207P	Cylinder Seal Assembly	
2	503661	Screw	
3	510905W	Rear Bulkhead	White
4	501285	Screw	
5	510237	Shield	
6	510190P	Terminal Block	Includes (3) 61199 Screws; Electric models
7	503688	Screw	
8	510100	Roller Bracket	
9	52549	Washer	
10	23748	Retainer Ring	
11	510708P	Cylinder Roller	
12	56461	Shaft	
13	56156	Locknut	

Heater Duct and Element Assembly

Electric Models



D292PZ3A

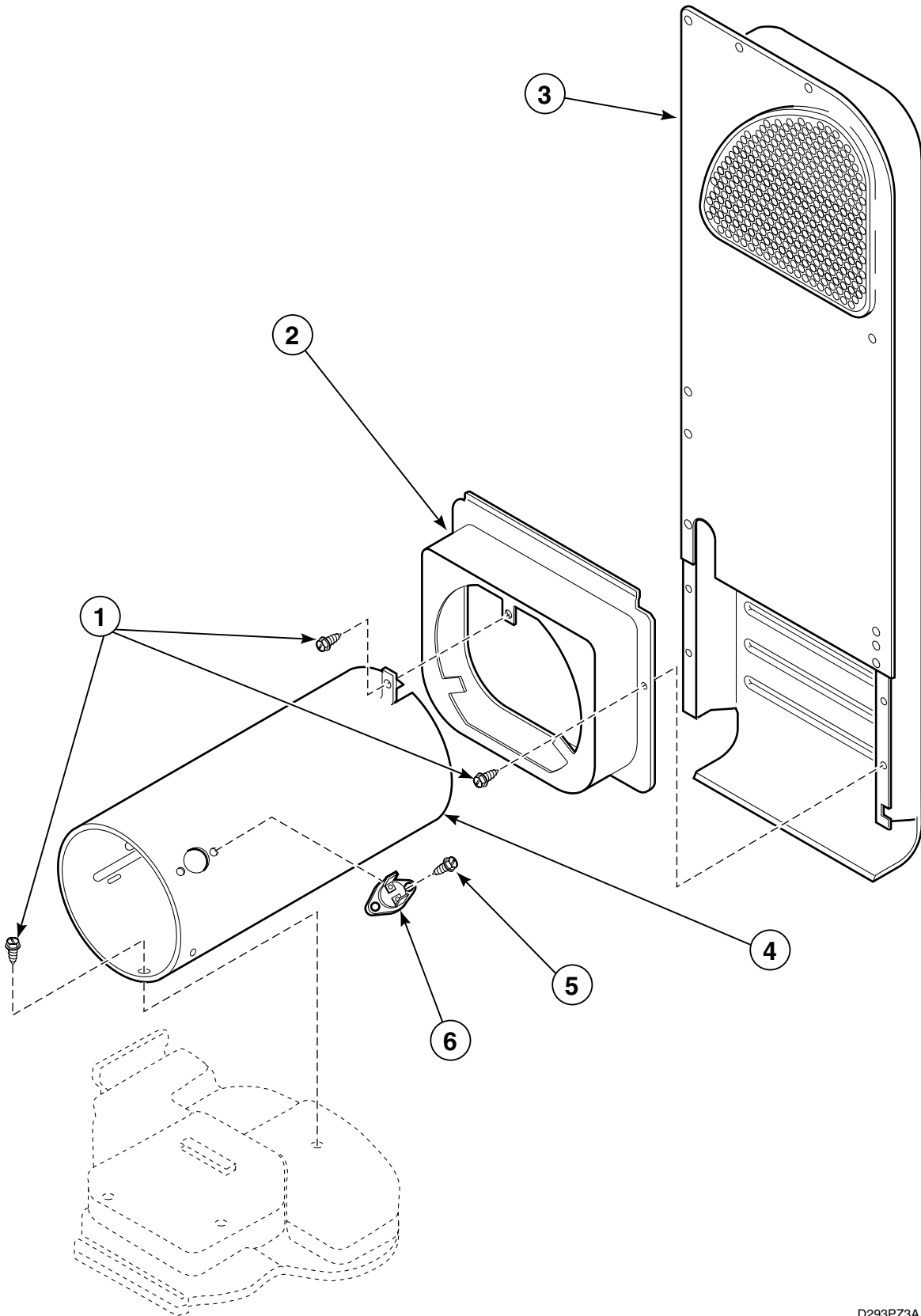
Heater Duct and Element Assembly

Electric Models

REF	PART #	DESCRIPTION	COMMENTS
1	510025P	Heater Duct Assembly	
2	503688	Screw	
3	510183	Thermal Fuse	
4	23222	Screw	
5	504237	Limit Thermostat	
6	510329	Heater Assembly	

Heater Duct Assembly

Gas Models



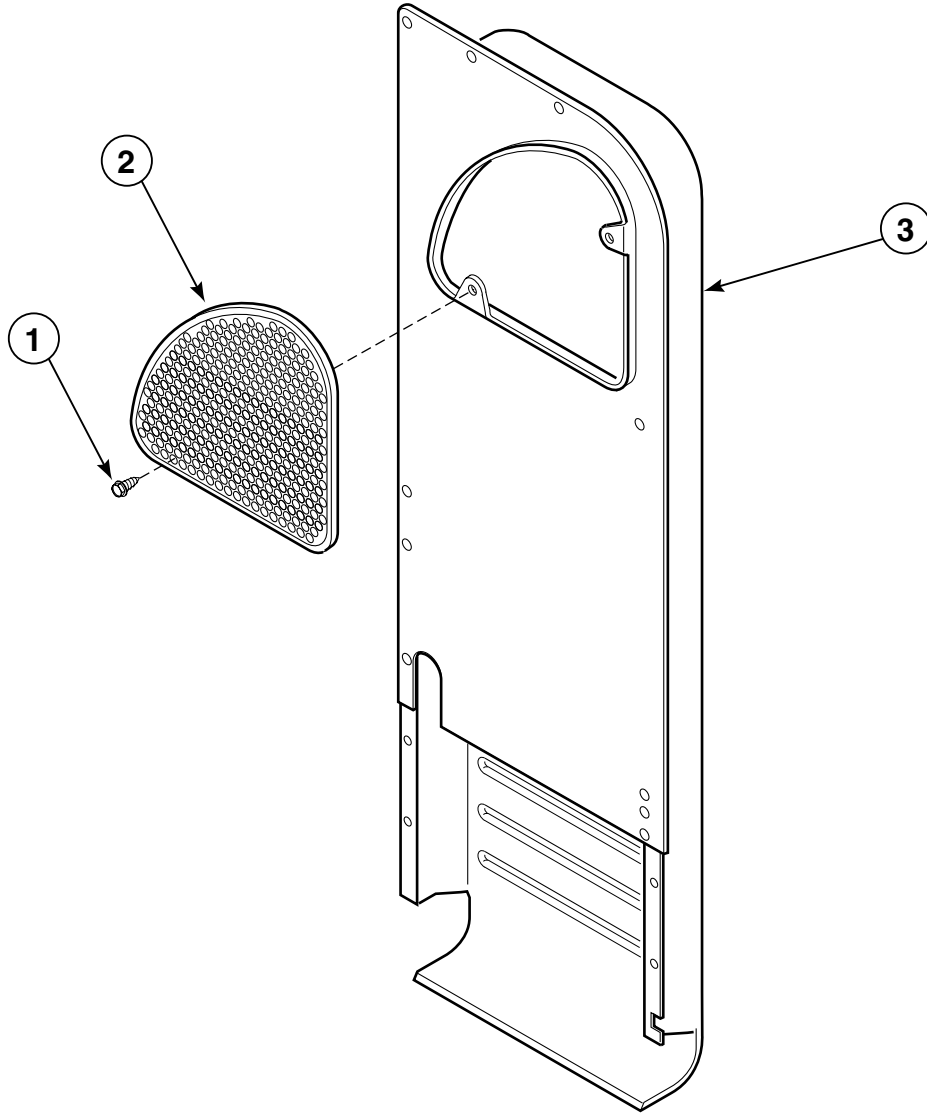
D293PZ3A

Heater Duct Assembly

Gas Models

REF	PART #	DESCRIPTION	COMMENTS
1	503688	Screw	
2	510101	Heat Shroud	
3	510025P	Heater Duct Assembly	
4	510131	Combustion Duct	Includes item 6
5	51782	Screw	
6	510702	Limit Thermostat	

Heater Duct Assembly Replacement



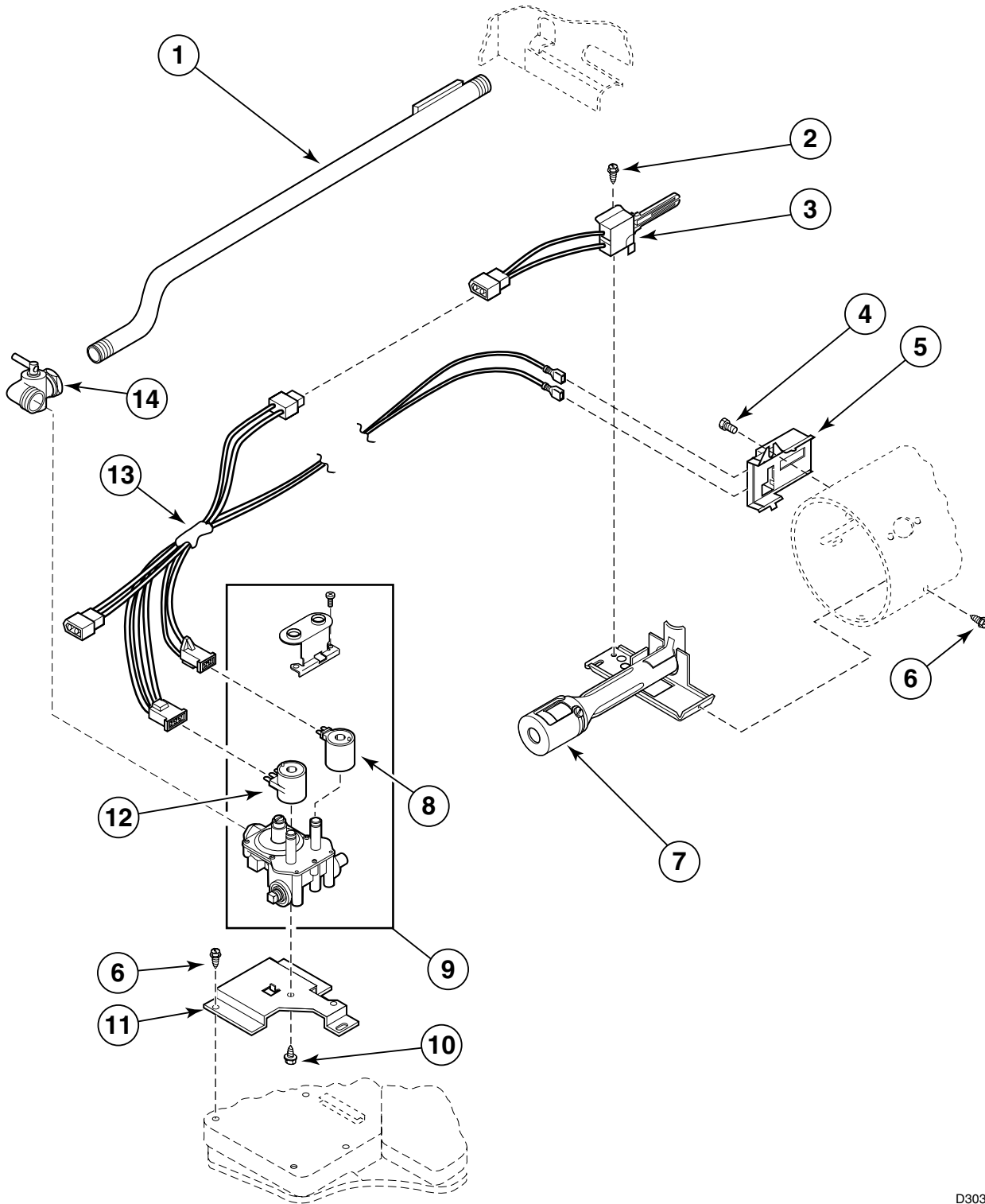
D294PZ3A

Heater Duct Assembly Replacement

REF	PART #	DESCRIPTION	COMMENTS
1	503688	Screw	
2	500820	Outlet Cover	Replaceable on item 3 only
3	510025P	Heater Duct Assembly	Includes items 1 and 2

Gas Valve, Igniter and Gas Conversion Kits

Gas Models



D303PZ3D

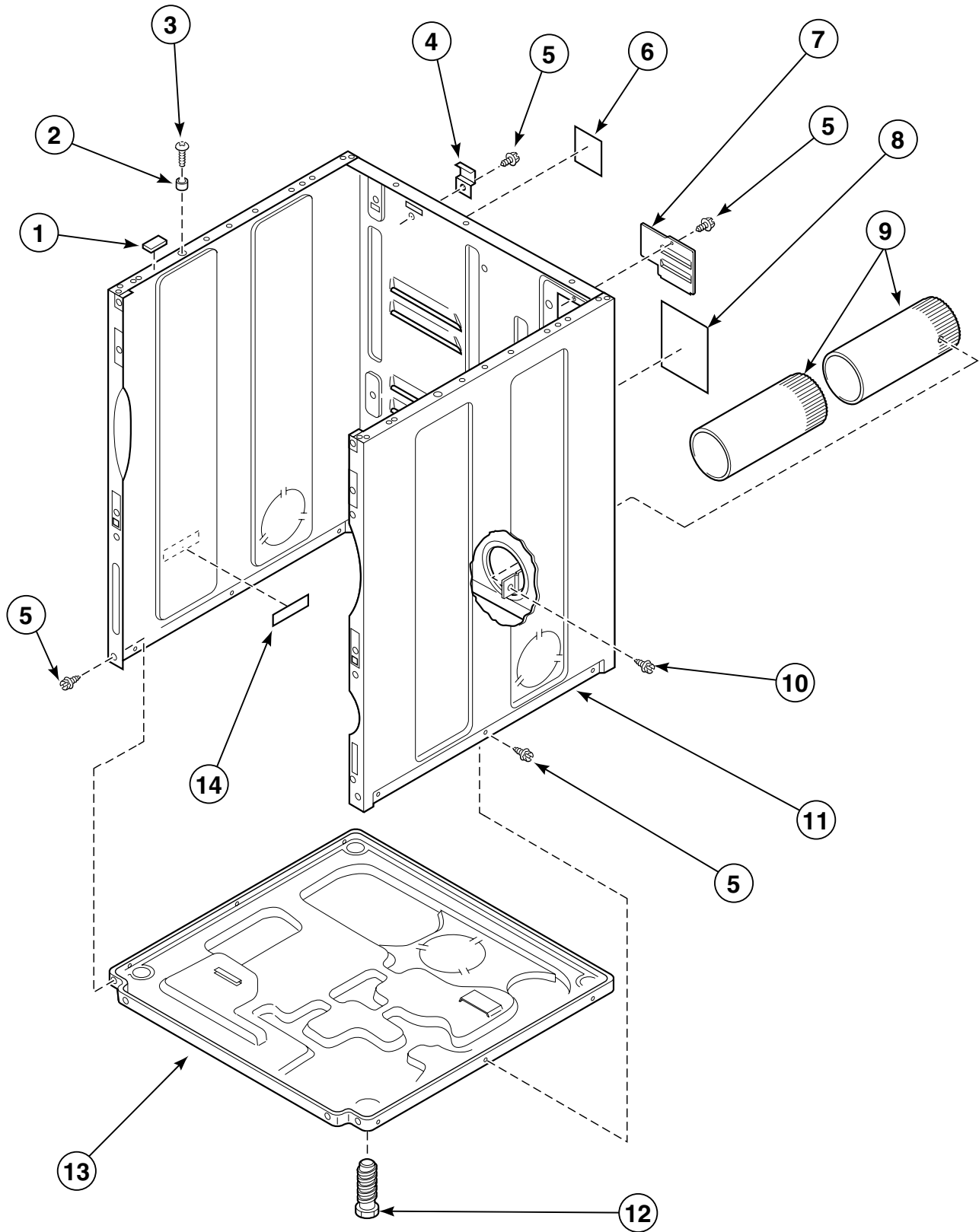
Gas Valve, Igniter and Gas Conversion Kits

Gas Models

REF	PART #	DESCRIPTION	COMMENTS
	503763	Wire Harness	Models LES19A* and LES33A*
	503769	Wire Harness	Model LES10A*
	510425	Wire Harness	Model LGS19A* and LGS33A*
	503910	Wire Harness	Model LGS10A*
	503922	Wire Harness	Model LES34A*
	510443	Wire Harness	Model LGS34A*
	510403	Wire Harness	Model LGS33A*
	649P3	Gas Burner Conversion Kit	Used to convert dryers from Natural/Mixed to L.P. gas (Liquefied Petroleum)
	650P3	Gas Burner Conversion Kit	Used to convert dryers from L.P. to Natural/Mixed gas
1	510204	Lead-In Pipe Assembly	
2	51782	Screw	
3	510184	Igniter and Bracket Assembly	
4	23222	Screw	
5	510213	Sensor	
6	503688	Screw	
7	510149	Burner Assembly	
8	58804B	Secondary Coil	
9	510506	Gas Valve Assembly	
10	56124	Screw	
11	510128	Mounting Bracket	
12	58804A	Holding and Booster Coil	
13	510530	Wire Harness	
14	510205	Valve	

* Add Letter To Designate Color. L – Almond W – White

Cabinet, Exhaust Duct and Base



D296PZ3A

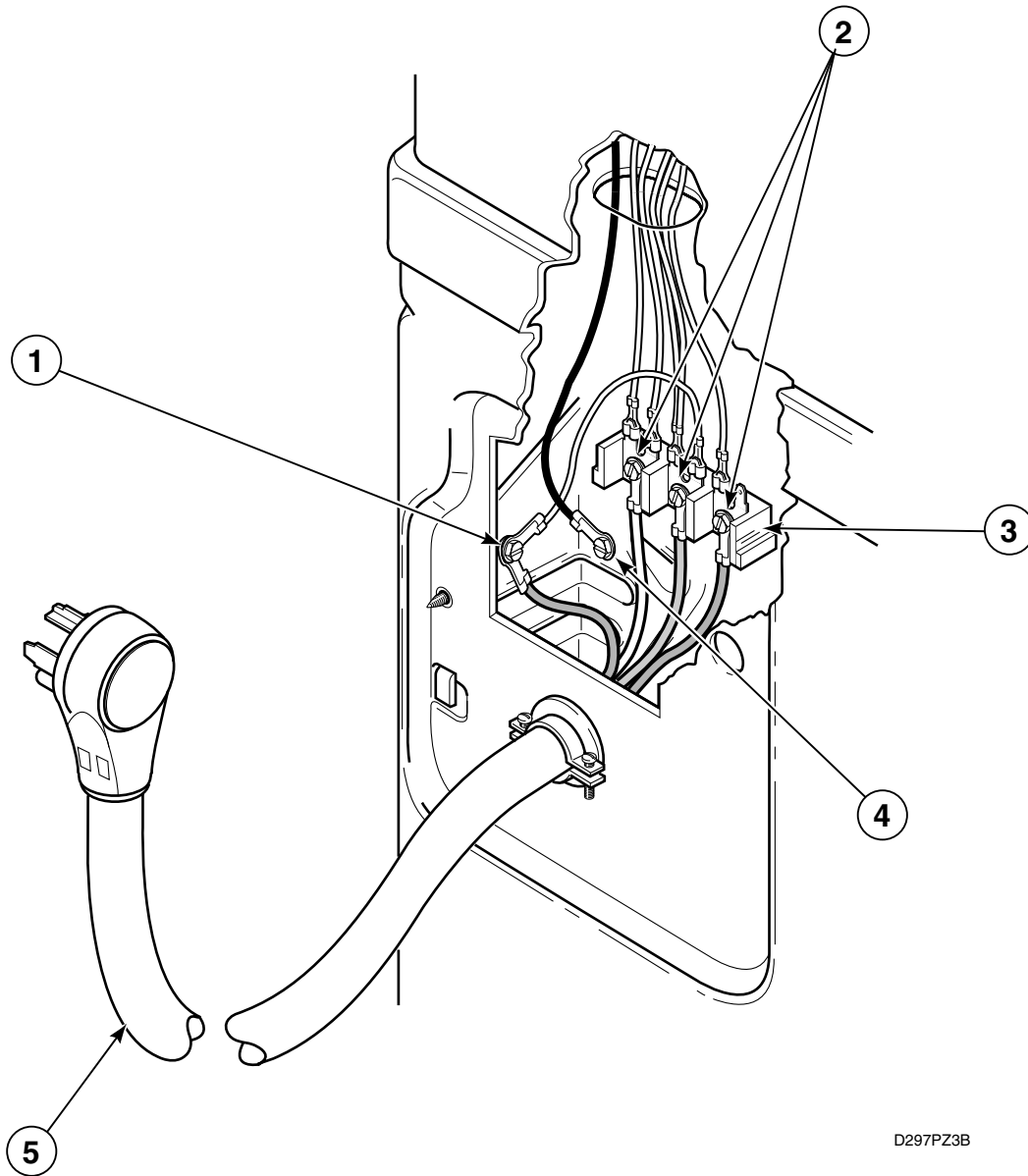
Cabinet, Exhaust Duct and Base

REF	PART #	DESCRIPTION	COMMENTS
	521P3	Flexible Venting Kit	
	528P3	Directional Exhaust Kit	Used to vent dryer out the sides or bottom
1	56128	Bumper	
2	56079	Locator	
3	32671	Screw	
4	510136	Top Hinge	
5	503661	Screw	
6	500495	Sticker	Gas models
7	510903	Access Cover Plate	
8	511005	Sticker	Electric models
9	510137	Exhaust Duct	Each dryer requires 2 pieces
10	503688	Screw	
11	727P3*	Cabinet	
12	510135	Leveling Leg	
13	510084	Base	
14	61294	Sticker	Electric models

* Add Letter To Designate Color. L – Almond W – White

Power Cord

Electric Models



D297PZ3B

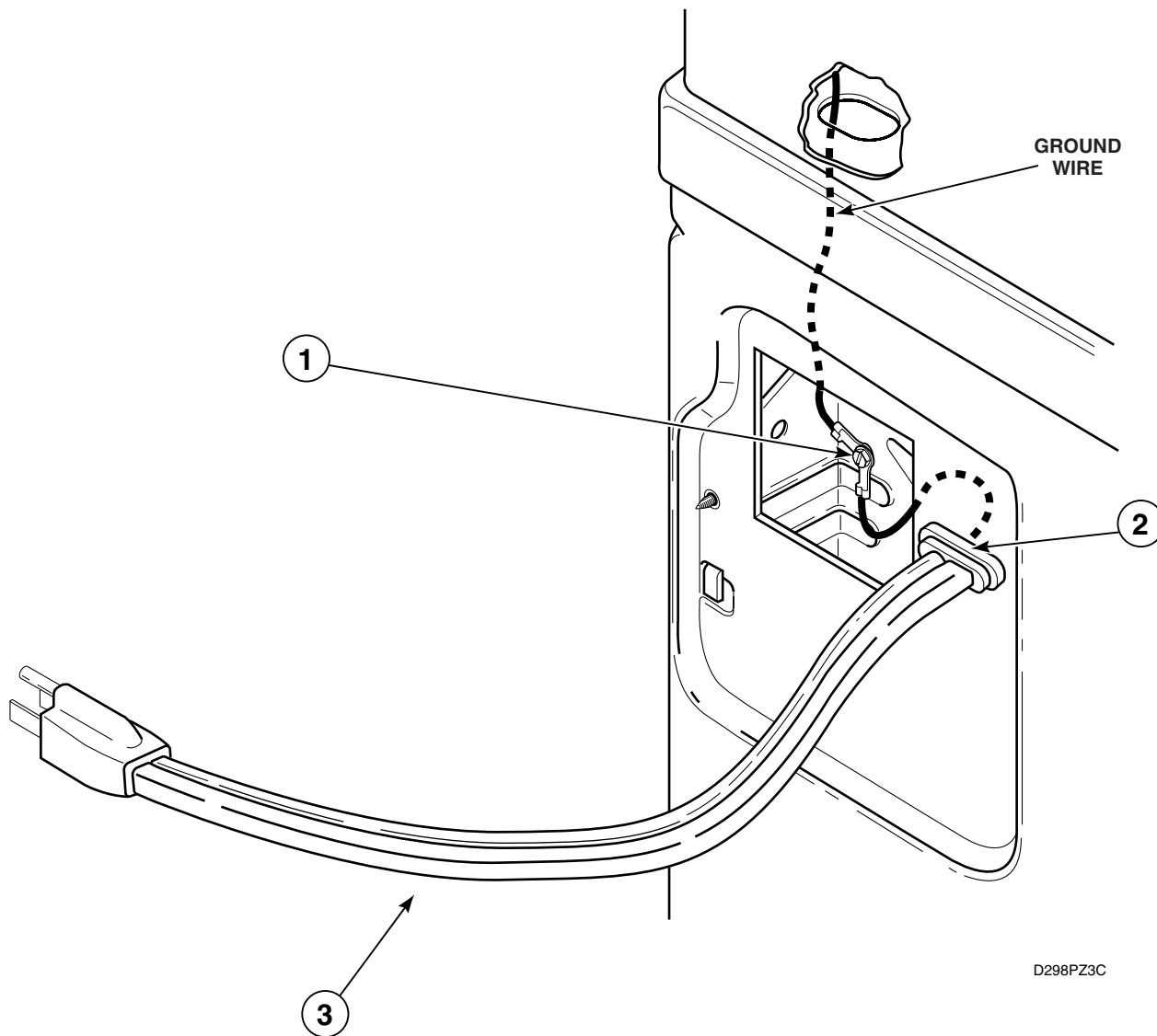
Power Cord

Electric Models

REF	PART #	DESCRIPTION	COMMENTS
1	20530	Screw	
2	61199	Screw	
3	510190P	Terminal Block	
4	503688	Screw	
5	510505	Power Cord	

Power Cord

Gas Models

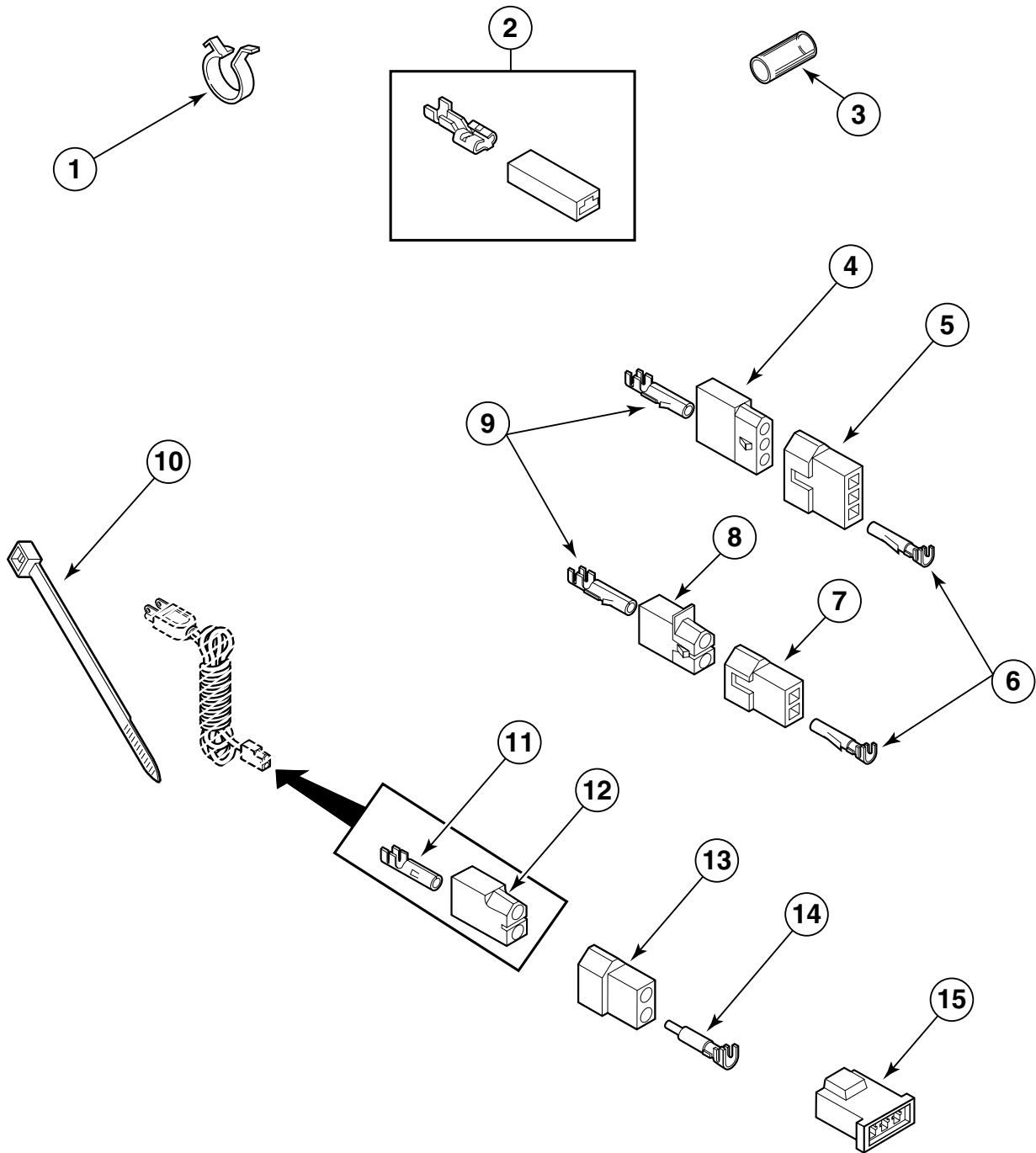


Power Cord

Gas Models

REF	PART #	DESCRIPTION	COMMENTS
1	20530	Screw	
2	38384	Strain Relief	
3	56222	Power Cord	

Terminals



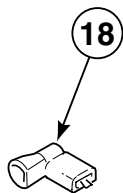
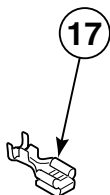
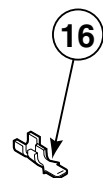
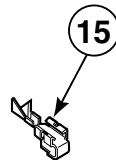
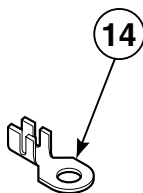
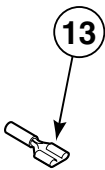
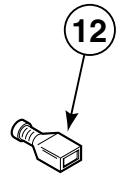
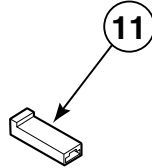
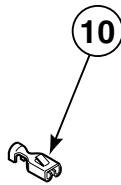
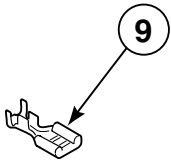
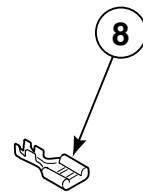
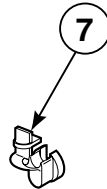
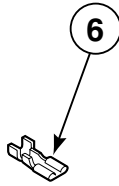
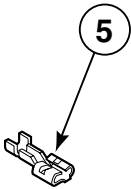
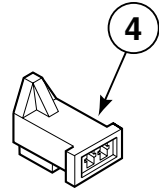
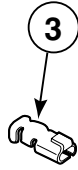
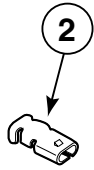
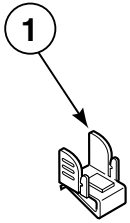
D299PZ3A

Terminals

REF	PART #	DESCRIPTION	COMMENTS
1	504034	Wire Clip	
2	00237	Insulated Spade Terminal	1/4 inch; (1) 12 gauge wire or (2) 18 gauge wires
3	503670	Insulator Sleeve	
4	23039	Terminal Block Receptacle	3 circuit
5	23040	Terminal Block Plug	3 circuit
6	00116	Pin Terminal	Male
7	56448	Terminal Block Plug	2 circuit
8	56451	Terminal Block Receptacle	2 circuit
9	00117	Socket Terminal	Female
10	55881	Wire Tie	
11	00130	Socket Terminal	Female
12	56265	Terminal Block Receptacle	2 circuit; N/A
13	56266	Terminal Block Plug	2 circuit
14	00127	Pin Terminal	Male
15	58800	Terminal Block	3 circuit connector

N/A = Part no longer available

Terminals

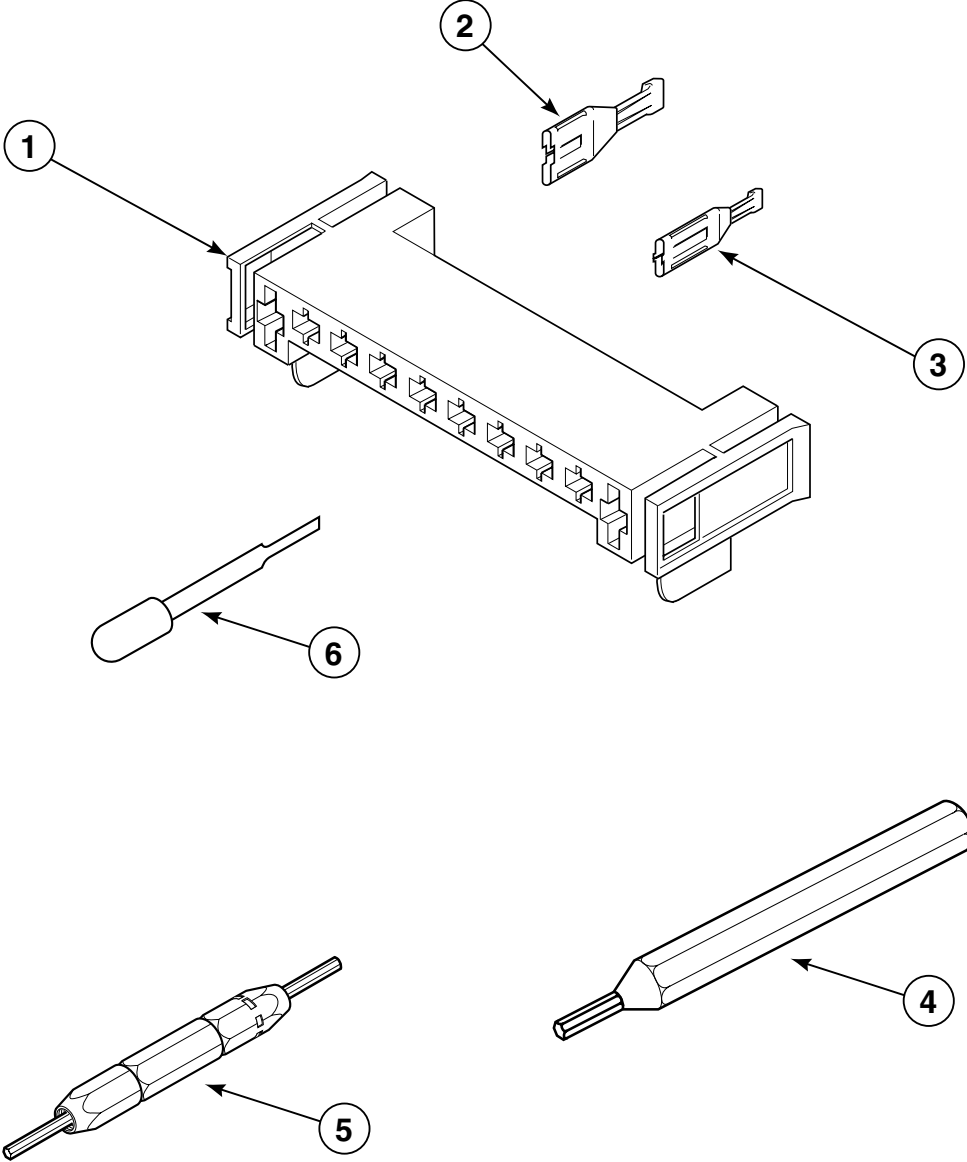


D300PZ3A

Terminals

REF	PART #	DESCRIPTION	COMMENTS
1	00161	Ground Clip	
2	00189	Spade Terminal	
3	00361	Terminal	Receptacle connector
4	58799	Terminal Block	2 circuit connector
5	00223	Spade Terminal	1/4 inch; (1) 18 gauge wire
	00121	Spade Terminal	1/4 inch; (2) 18 gauge wires or (1) 12 gauge wire
	00245	Spade Terminal	1/4 inch; (1) 22 gauge wire
6	00124	Spade Terminal	3/16 inch; (1) 18 gauge wire; .020 tab
	00156	Spade Terminal	3/16 inch; Thermostat wire; .032 tab
	00209	Spade Terminal	3/16 inch; (2) 18 gauge wires; .020 tab
7	38384	Strain Relief	
8	00346	Terminal	
9	00347	Terminal	
10	00115	Spade Terminal	1/4 inch; (1) 18 gauge wire
	00321	Spade Terminal	1/4 inch; (2) 18 gauge wires or (1) 12 gauge wire
11	90789	Connector	
12	00234	Insulated Spade Terminal	1/4 inch
	00165	Insulated Spade Terminal	3/16 inch
13	00214	Barrel Insulated Spade Terminal	1/4 inch; 18 gauge wire
	00215	Barrel Insulated Spade Terminal	1/4 inch; 12 gauge wire
14	00110	Ring Terminal #10	(1) 18 gauge wire
	00111	Ring Terminal #10	(2) 18 gauge wires or (1) 12 gauge wire
15	00114	Spade Terminal	1/4 inch; Double connector
16	00139	Tab Terminal	1/4 inch; (2) 18 gauge wires or (1) 12 gauge wire
17	00344	Terminal	
18	00345	Terminal	

Motor Connection Block and Terminal Extractor Tools



D301PZ3A

Motor Connection Block and Terminal Extractor Tools

REF	PART #	DESCRIPTION	COMMENTS
1	500338	Motor Connection Block	Molex; 10 circuit
2	00255	Spade Terminal	1/4 inch; For (1) 12 gauge wire
	00256	Spade Terminal	1/4 inch; For (1) or (2) 18 gauge wires
3	00188	Molex Terminal	For 1 or 2 wire application
4	128P4	Terminal Extractor Tool	For use on gas dryer terminals
5	190P4	Terminal Extractor Tool	For use on electric dryer terminals
6	283P4	Terminal Extractor Tool	For use on molex connectors

Wire Harnesses and Wires

Individual wires are not available separately. Order complete wire harness or order wire by the foot. See chart below.

MODEL NUMBER	WIRE HARNESS PART NUMBER
LES10A*	503769
LES19A*, LES33A*	503763
LES34A*	503922
LGS10A*	503910
LGS19A*	510425
LGS33A*	510403
LGS34A*	510443

* Add Letter To Designate Color. L – Almond W – White

Order the individual wire color and gauge by the part number listed below. Order wire by the foot and terminals and connectors as required. It is recommended when applying terminals to wires that the terminals be soldered to the wires.

IMPORTANT: Always replace wires with proper gauge.

PART NUMBER	WIRE GAUGE	WIRE COLOR
45001	18 Gauge Wire	Black
45380	12 Gauge Wire	Orange

Production Literature

Part numbers do not include revision levels.

MODEL NUMBER	OPERATION PART NUMBER	USE AND CARE PART NUMBER	INSTALLATION PART NUMBER
LES10A*, LGS10A*	N/A	504023	503953
LES19A*, LGS19A*	504489	504490	504607
LES33A*, LGS33A*	504488	504490	504607
LES34A*, LGS34A*	N/A	504023	503953

* Add Letter To Designate Color. L – Almond W – White

N/A = Part no longer available

Parts Index

A

Access Cover Plate 510903	29
Adhesive for Cylinder Seal 22506P	17, 19

B

Baffle 503703	17
Barrel Insulated Spade Terminal 00214	37
00215	37
Base 510084	29
Belt 510178	15
Blower Housing Assembly Kit 510717P	15
Bulb 60954	17
Bumper 56128	29
Burner Assembly 510149	27

C

Cabinet 727P3*	29
Cabinet Top 510029*P	9
Combustion Duct 510131	23
Connector 90789	37
Control Hood Rear Panel 510099	9
Cylinder Assembly 510159W	17
Cylinder Glide 510187	17
Cylinder Light Housing 503622	17
Cylinder Roller 510708P	19
Cylinder Seal 510207P	17
Cylinder Seal Assembly 510207P	19

D

Directional Exhaust Kit 528P3	29
--	----

Door Catch 510177	13
Door Hinge 511036	11
Door Pull 510103*P	11
Door Seal 510147	11
Door Striker 510181	11
Door Striker Bracket 510127	11
Door Switch 504570	13

E

18 Gauge Wire 45001	40
End Cap 504008*	5, 7
504009*	5, 7
Exhaust Duct 510137	29
Exhaust Fan Cover and Housing 510138P	15
Exhaust Fan Impeller 510139	15

F

Fabric Selector Switch 510212	7
Felt Pad 510189	17
Flexible Venting Kit 521P3	29
Front Bulkhead Assembly 511033W	17
Front Panel 510066*	13
Front Panel Seal 510236	13

G

Gas Burner Conversion Kit 649P3	27
650P3	27
Gas Valve Assembly 510506	27
Glide Bracket 510145	17
Graphic Panel 504020W	7
504022W	5
504197W	7
504569W	7

Ground Clip 00161	37
----------------------------	----

H

Heat Shroud 510101	23
Heater 61623	15
Heater Assembly 510329	21
Heater Duct Assembly 510025P	21, 23, 25
Hold-Down Bracket 510297	9
Hold-Down Clip 28835	13
503876	9
Holding and Booster Coil 58804A	27

I

Idler Lever 510133	15
Idler Pulley 510142	15
Idler Pulley and Lever Assembly 510158	15
Igniter and Bracket Assembly 510184	27
Inner Door Panel and Seal 503643W	11
Insulated Spade Terminal 00165	37
00234	37
00237	35
Insulator Sleeve 503670	35

J

Jam Nut 52566	15
------------------------	----

L

Lampholder 504452	17
Lead-In Pipe Assembly 510204	27
Lens 503623	17
Leveling Leg 510135	29
Limit Thermostat 504237	21
510702	23
Lint Filter 503627	17

Locator 56079	13, 29
Locknut 56156	15, 19
Lower Access Panel 510069*	13
Lower Air Duct Assembly 510151	17

M

Molex Terminal 00188	39
Motor Assembly 510508P	15
Motor Connection Block 500338	39
Motor Hub Ring Kit 590P3	15
Motor Mounting Bracket 510060	15
Motor Mounting Clamp 510180	15
Motor Pulley 500011	15
Motor Switch 501218	15
Mounting Bracket 510128	27

O

Outer Door Panel 511013W	11
Outlet Cover 500820	25

P

Pin Terminal 00116	35
00127	35
Power Cord 510505	31
56222	33

R

Rear Bulkhead 510905W	19
Retainer Ring 23748	15, 19
Ring Terminal #10 00110	37
00111	37
Roller Bracket 510100	19

S

Screw	
20530	31, 33
23222	21, 27
31260	15
32671	13, 29
33561	15
500226	17
501086	5, 7, 9
501285	17, 19
503661	9, 13, 15, 17, 19, 29
503688	9, 19, 21, 23, 25, 27, 29, 31
505295	11
505870	17
51782	23, 27
56124	27
61199	31
62588	17
Seal	
510238	15
Secondary Coil	
58804B	27
Sensor	
510213	27
Shaft	
56461	15, 19
Shield	
510237	19
Shoulder Screw	
500824	15
Signal	
510211	7
Socket Terminal	
00117	35
00130	35
Spade Terminal	
00114	37
00115	37
00121	37
00124	37
00156	37
00189	37
00209	37
00223	37
00245	37
00255	39
00256	39
00321	37
Spring	
510185	15
Sticker	
24903	9
500281	13
500495	29
511004	13
511005	29
61294	29
Strain Relief	
38384	33, 37
Support Control Panel	
503901	5, 7
Switch Knob Assembly	
33688	7

T

Tab Terminal	
00139	37
Terminal	
00344	37
00345	37
00346	37
00347	37
00361	37
Terminal Block	
510190P	19, 31
58799	37
58800	35
Terminal Block Plug	
23040	35
56266	35
56448	35
Terminal Block Receptacle	
23039	35
56265	35
56451	35
Terminal Extractor Tool	
128P4	39
190P4	39
283P4	39
Thermal Fuse	
510183	21
Thermostat	
504514	15
510707P	15
Timer	
504178	5
505790	7
505792	7
505793P	5
505794	7
505797P	7
Timer Knob Assembly	
510287W	5, 7
Top Cover	
505808W	5, 7
Top Hinge	
510136	29
12 Gauge Wire	
45380	40

U

Upper Air Duct Assembly	
750P3	17

V

Valve	
510205	27

W

Washer	
52549	15, 19

Wire Clip	
504034	35
Wire Harness	
503763	27, 40
503769	27, 40
503910	27, 40
503922	27, 40
510403	27, 40
510425	27, 40
510443	27, 40
510530	27
Wire Tie	
55881	35