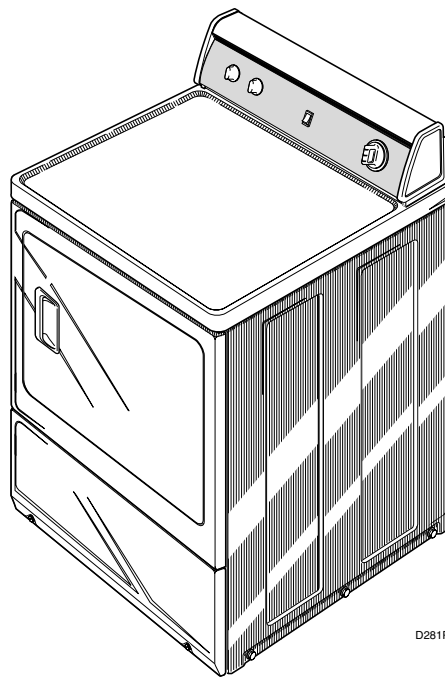


Dryers

Nonmetered

See Page 3 for Model Numbers



D281P

Parts

Table of Contents

Title	Page
Parts Ordering Information	2
Nameplate Location	2
Model Identification	3
Graphic Panel, Control Hood and Controls	4
Cabinet Top and Control Hood Rear Panel	6
Loading Door	8
Access Panel, Front Panel and Seal	10
Motor, Exhaust Fan and Belt	12
Front Bulkhead, Air Duct, Cylinder and Removable Lint Filter	14
Front Bulkhead, Air Duct, Cylinder, and Secured Lint Filter	16
Rear Bulkhead, Felt Seal, Cylinder Roller and Terminal Block	18
Heater Duct and Element Assembly	20
Heater Duct Assembly	22
Heater Duct Assembly Replacement	24
Gas Valve, Igniter and Gas Conversion Kits	26
Gas Valve, Igniter, Ignition Control and Gas Conversion Kits	28
Cabinet, Exhaust Duct and Base	30
Terminals and Clips	32
Terminals	34
Motor Connection Block, Terminal Extractor Tools	36
Strain Relief, Adapter, Power Cord	38
Wire Harnesses	39
Parts Index	41

© Copyright 1998, Alliance Laundry Systems LLC

All rights reserved. No part of the contents of this book may be reproduced or transmitted in any form or by any means without the expressed written consent of the publisher.

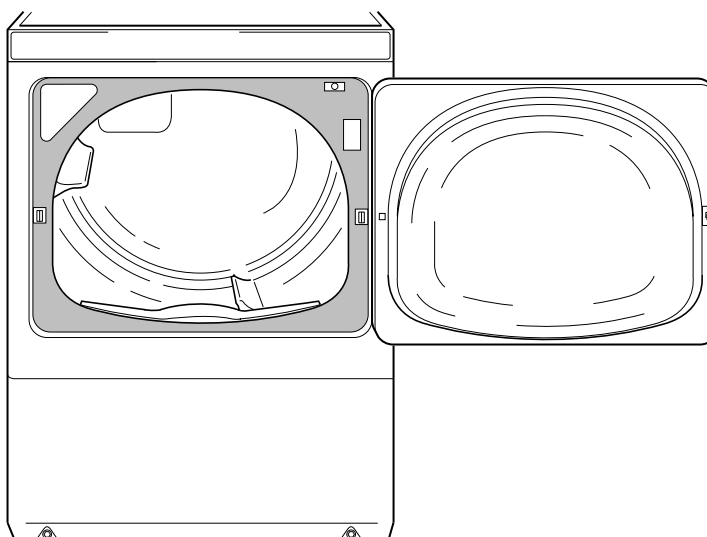
Parts Ordering Information

If literature or replacement parts are required, contact the source from whom the machine was purchased or contact Alliance Laundry Systems at (920) 748-3950 for the name and address of the nearest authorized parts distributor.

For technical assistance, call (920) 748-3121.

Nameplate Location

When calling or writing about your product, be sure to mention model and serial numbers. Model and serial numbers are located on nameplate(s) as shown.



D282P

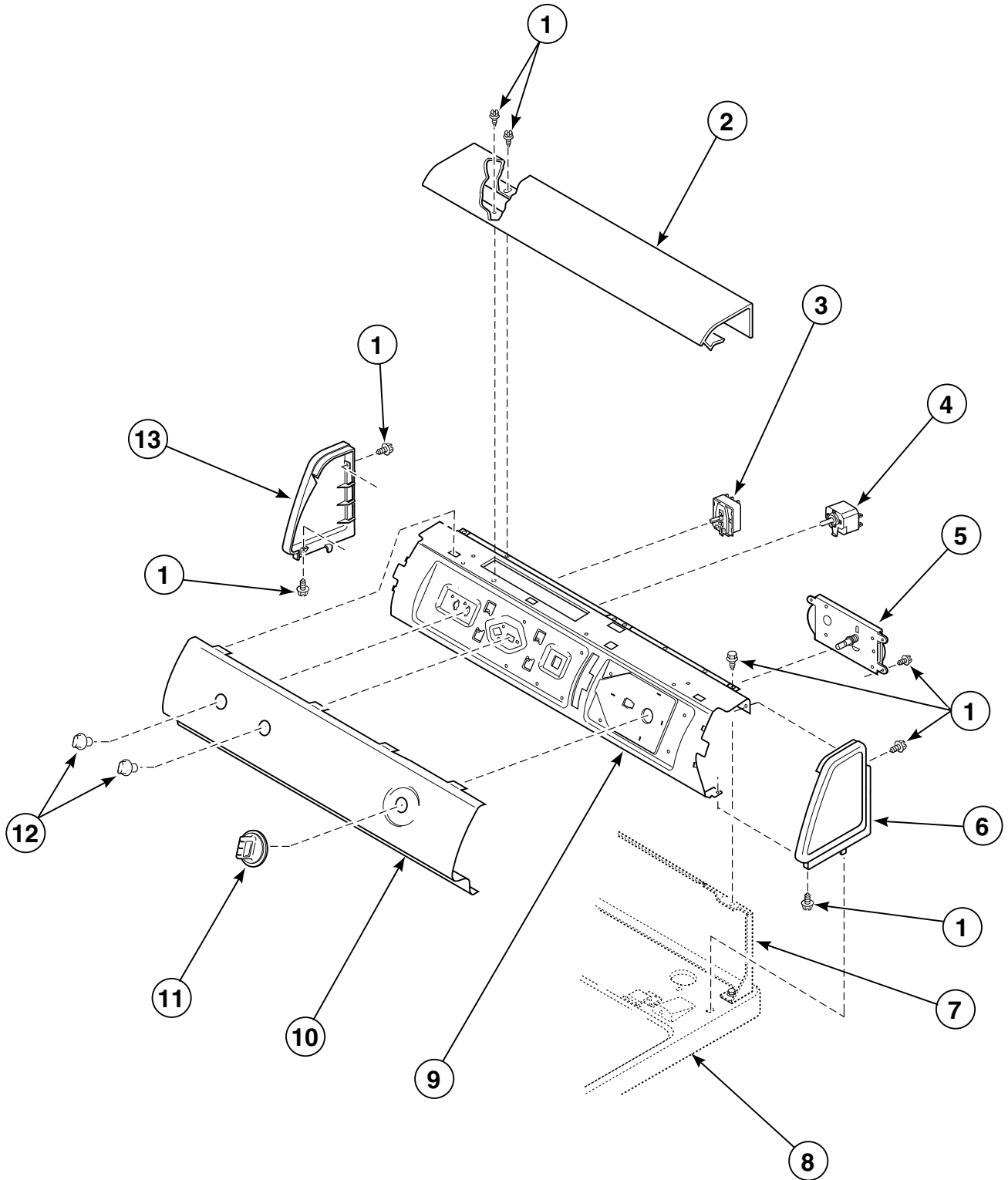
Model Identification

Information in this manual is applicable to these dryers:

MODEL NUMBER	ELECTRIC HEAT	GAS HEAT
LEB07A*-1709	X	
LES19A*-3000	X	
LES19A*-4500	X	
LES33A*-3000	X	
LES33A*-3300	X	
LES33A*-4350	X	
LES33A*-4562	X	
LES33A*B3018	X	
LEY47A*-1709	X	
LEZ33A*-3000	X	
LEZ33A*B3018	X	
LGS19A*-3088		X
LGS33A*-3000		X
LGS33A*-3058		X
LGS33A*-3080		X
LGS33A*B3013		X
LGS33A*B3080		X
LGY47A*-1109		X
LGZ33A*-3000		X
LGZ33A*B3013		X

* Add Letter To Designate Color. L – Almond W – White

Graphic Panel, Control Hood and Controls



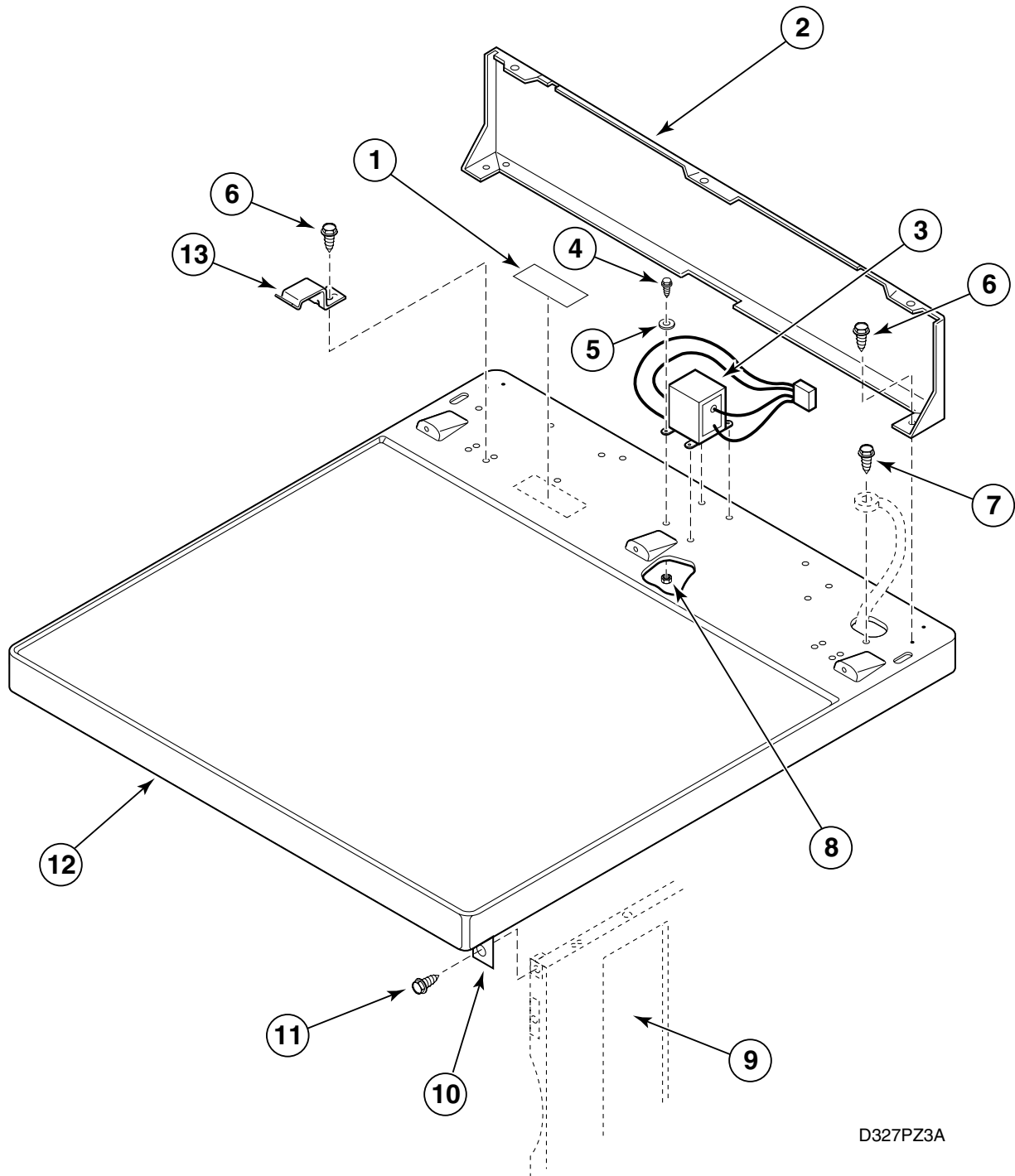
D378PZ3A

Graphic Panel, Control Hood and Controls

REF	PART #	DESCRIPTION	COMMENTS
1	501086	Screw	
2	503674*	Top Cover	
3	503997	Fabric Selector Switch	All models except LES33A*-4562, LGY47A*-1109 and LEY47A*-1709
	503995	Fabric Selector Switch	Models LGY47A*-1109 and LEY47A*-1709
	503998	Fabric Selector Switch	Model LES33A*-4562
4	504102	Signal	Models LES33A*-3300, LEY47A*-1709 and LGY47A*-1109
	504103	Signal	Models LES33A*-3000, LES33A*-4350, LES33A*-4562, LES33A*B3018, LEZ33A*-3000, LEZ33A*B3018, LGS33A*-3000, LGS33A*-3058, LGS33A*-3080 and LGZ33A*-3000
	505447	Signal	Models LGS33A*B3013, LGS33A*B3080 and LGZ33A*B3013
5	502964	Timer	Models LES33A*-4562, LES33A*B3018 and LEZ33A*B3018
	502966	Timer	Models LGS33A*B3013, LGS33A*B3080 and LGZ33A*B3013
	504547	Timer	Models LES19A*-3000, LES19A*-4500, LES33A*-3000, LES33A*-4350 LEZ33A*-3000, LGS19A*-3088, LGS33A*-3000, LGS33A*-3058, LGS33A*-3080 and LGZ33A*-3000
	504548	Timer	Model LES33A*-3300
6	504008*	End Cap Right	
7	500343	Control Hood Rear Panel	
8	500085*P	Cabinet Top	
9	503901	Support Control Panel	
10	503394	Graphic Panel	Model LES33A*-4562
	504020*	Graphic Panel	Models LES33A*-3000, LES33A*-3300, LES33A*-4350, LGS33A*-3000, LGS33A*-3058, LGS33A*-3080 and LGZ33A*-3000
	504070*	Graphic Panel	Models LES33A*B3018, LGS33A*B3013 and LGS33A*B3080
	504072*	Graphic Panel	Model LEZ33A*-3000
	504107*	Graphic Panel	Models LGZ33A*B3013 and LEZ33A*B3018
	504197*	Graphic Panel	Models LES19A*-3000, LES19A*-4500, LES33A*-3000 and LGS19A*-3088
11	502220*	Timer Knob Assembly	Model LES33A*-4562
	504002	Timer Knob Assembly	All models except LES33A*-4562
12	33688	Switch Knob Assembly	All models except LES33A*-4562
	36701*	Switch Knob Assembly	Model LES33A*-4562
13	504009*	End Cap Left	

* Add Letter To Designate Color. L – Almond W – White

Cabinet Top and Control Hood Rear Panel



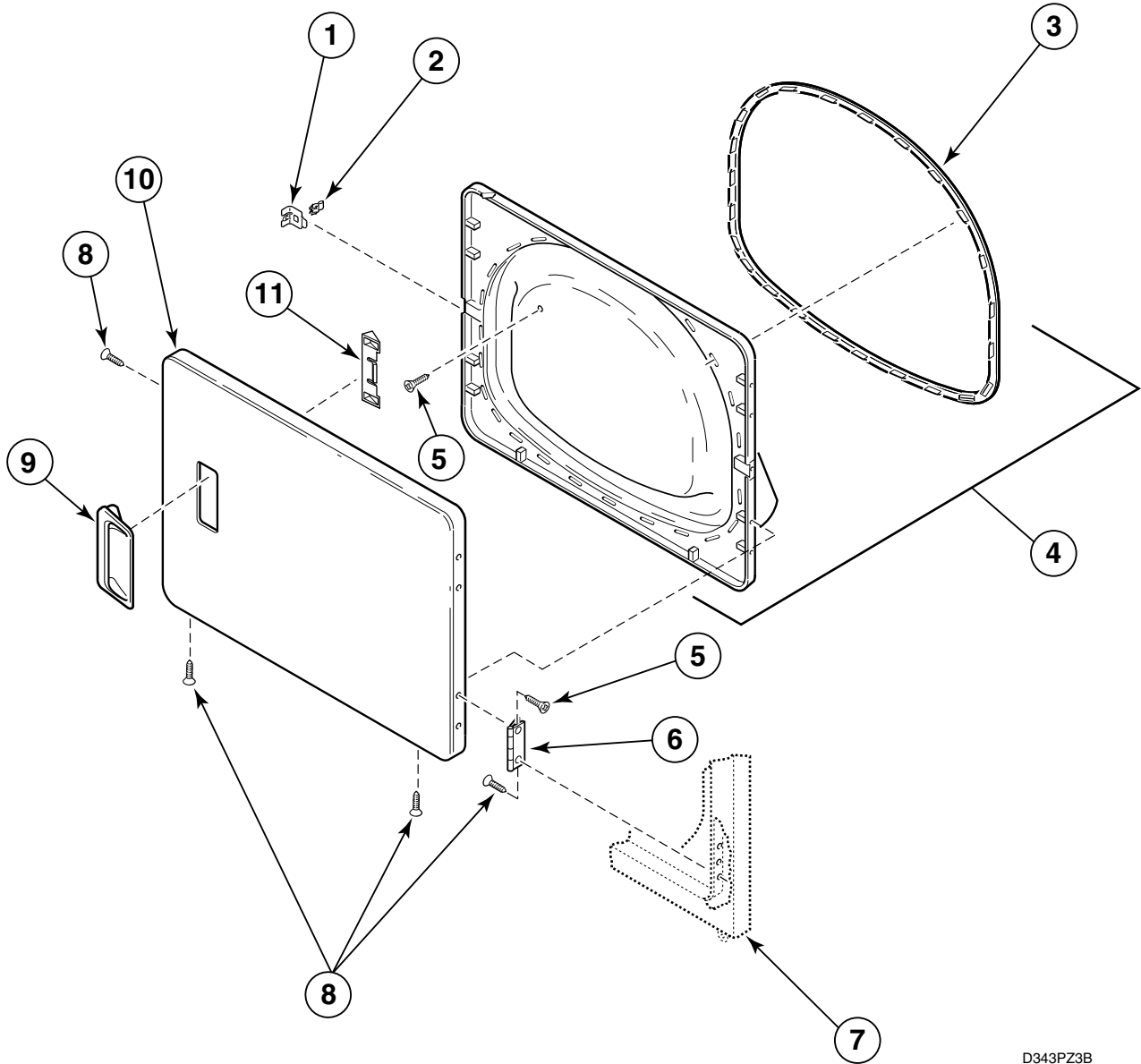
D327PZ3A

Cabinet Top and Control Hood Rear Panel

REF	PART #	DESCRIPTION	COMMENTS
1	24903	Label	
2	500343	Control Hood Rear Panel	
3	59971	Transformer and Plug	Models LGS19A*-3088 and LGS33A*-3000
	59972	Transformer and Plug	Model LGS33A*-3080
4	20267	Screw	
5	03815	Lockwasher	
6	501086	Screw	
7	503688	Screw	
8	23951	Keps Nut	
9	500001*P	Cabinet	
10	500084	Hold-down Bracket	
11	503661	Screw	
12	500085*P	Cabinet Top	Includes two 500084 Hold-down Brackets
13	503876	Hold-down Clip	

* Add Letter To Designate Color. L – Almond W – White

Loading Door



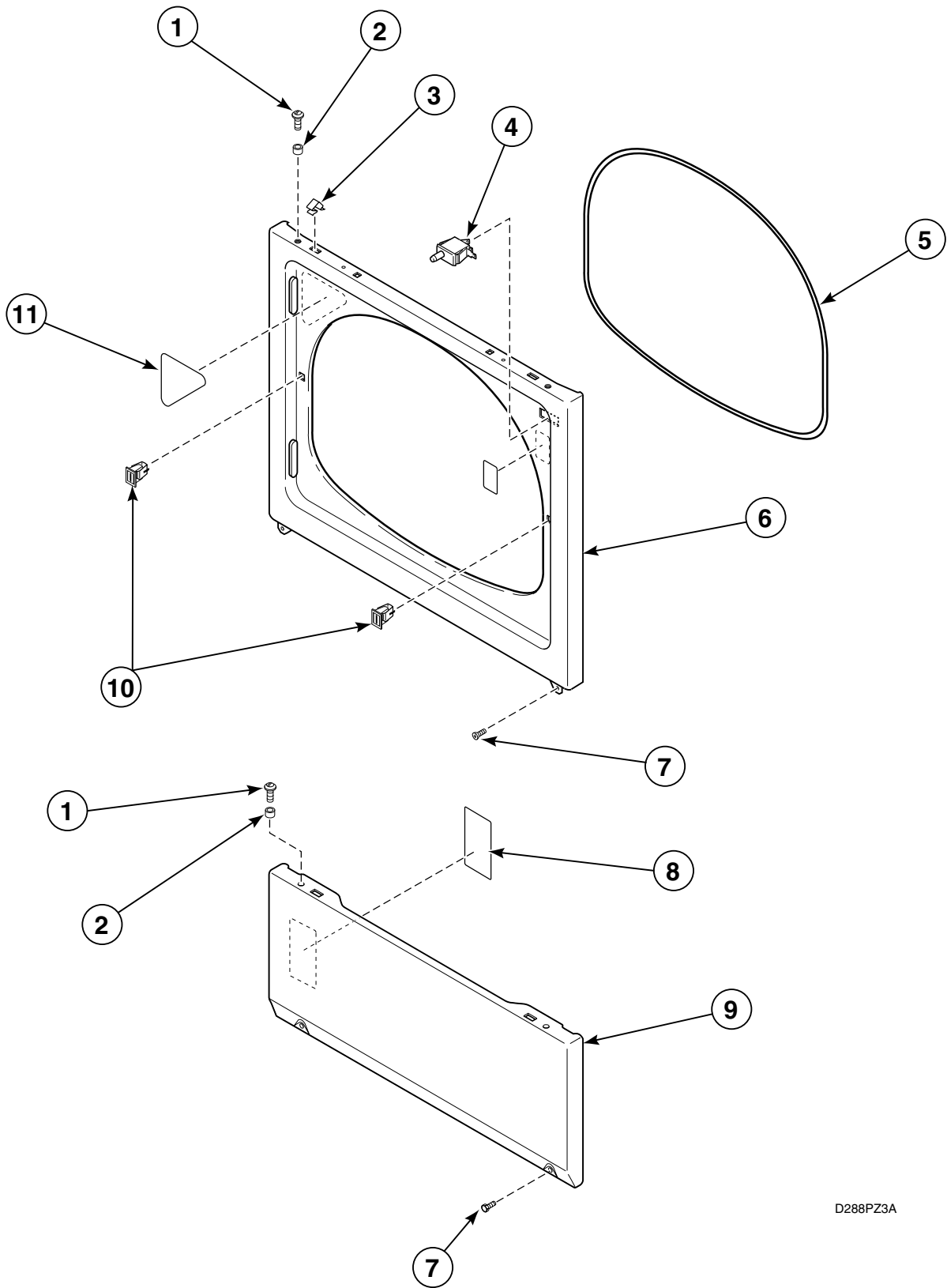
D343PZ3B

Loading Door

REF	PART #	DESCRIPTION	COMMENTS
1	500223	Door Striker Bracket	
2	500039	Door Striker	
3	503645	Door Seal	
4	504599W	Inner Door Panel, Seal Assembly and Grill	Models LEB07A*-1709, LEY47A*-1709 and LGY47A*-1109
	503643W	Inner Door Panel and Seal Assembly	All models except LEB07A*-1709, LEY47A*-1709 and LGY47A*-1109
5	505295	Screw	Models LEB07A*-1709, LEY47A*-1709 and LGY47A*-1109
6	503676	Door Hinge	
7	503656*	Front Panel	
8	500226	Screw	
9	503646*	Door Pull	
10	503654*	Outer Door Panel	
11	505328	Wedge	

* Add Letter To Designate Color. L – Almond W – White

Access Panel, Front Panel and Seal



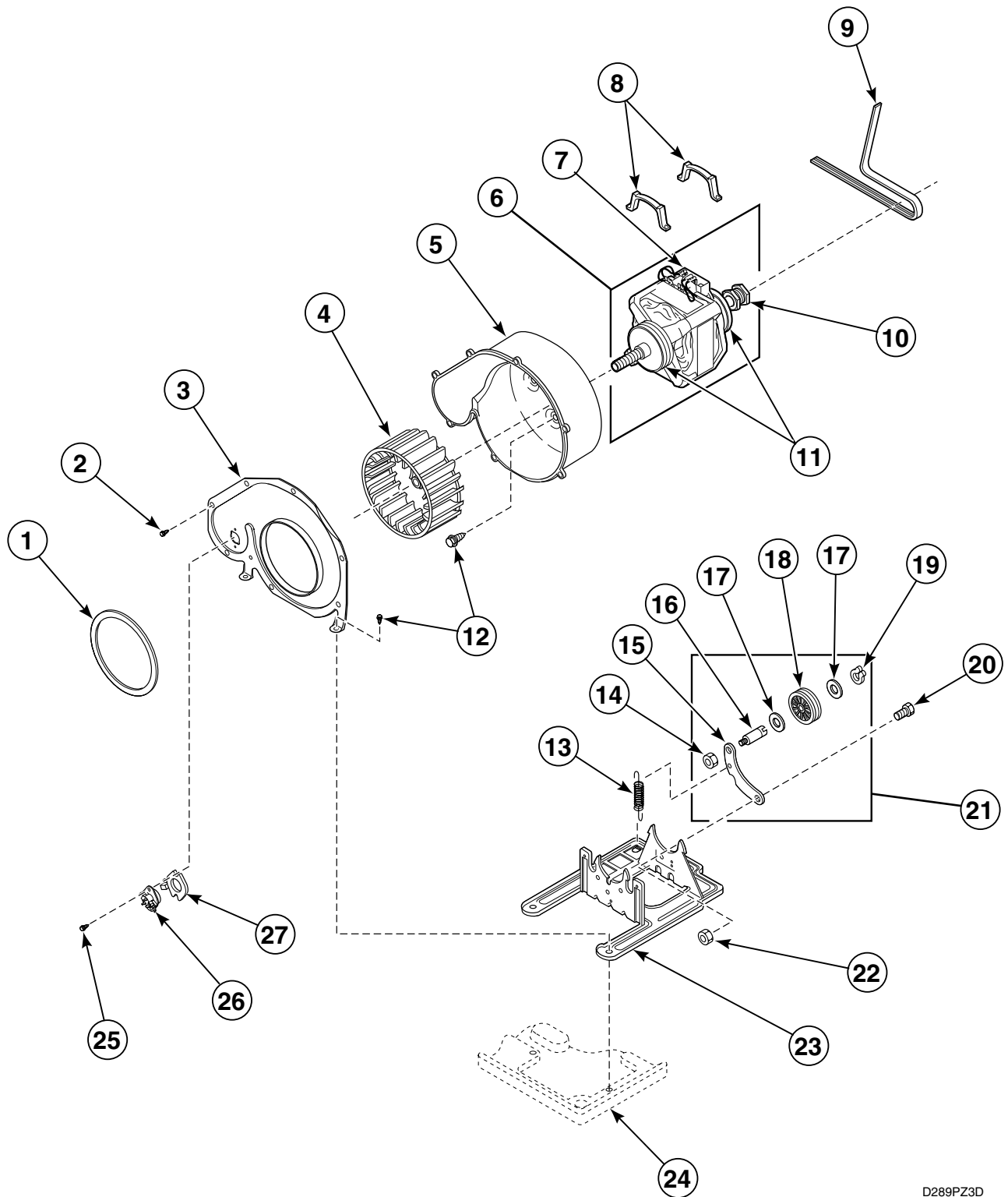
D288PZ3A

Access Panel, Front Panel and Seal

REF	PART #	DESCRIPTION	COMMENTS
1	32671	Screw	
2	56079	Locator	
3	28835	Spring Clip	
4	504570	Door Switch	
5	504005	Front Panel Seal	
6	503656*	Front Panel	
7	503661	Screw	
8	500670	Label	Gas Models
9	510069*	Access Panel	
10	54660	Door Catch	
11	500281	Label	

* Add Letter To Designate Color. L – Almond W – White

Motor, Exhaust Fan and Belt



D289PZ3D

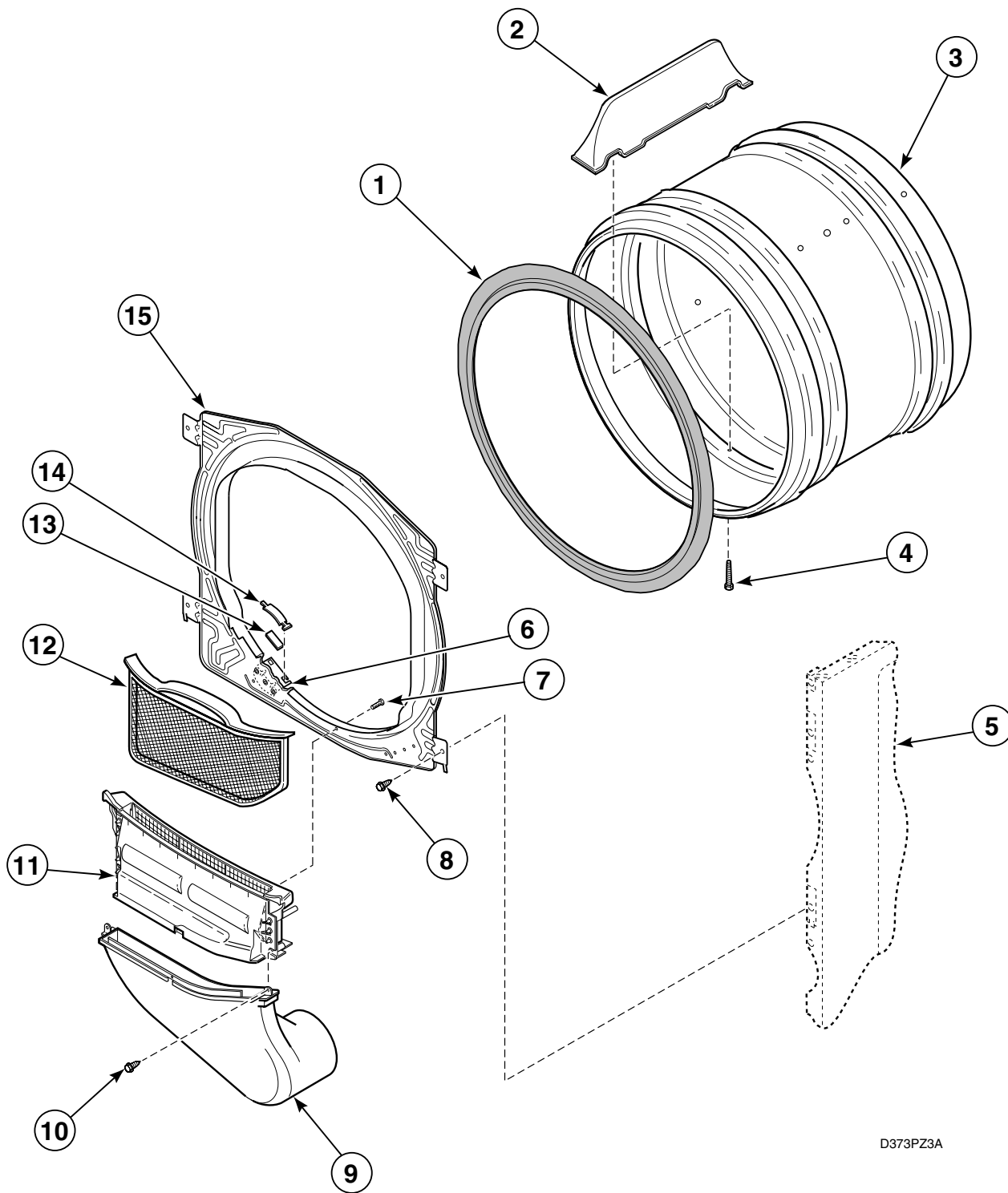
Motor, Exhaust Fan and Belt

REF	PART #	DESCRIPTION	COMMENTS
1	504018	Seal	
2	31260	Screw	
3	500078	Exhaust Fan Cover	All models except LES33A*-4562
	500128	Exhaust Fan Cover	Model LES33A*-4562
4	56000	Exhaust Fan Impeller	
5	56020	Exhaust Fan Housing	
6	502368	Motor Assembly	Models LEB07A*-1709, LEY47A*-1709 and LGY47A*-1109
	501212	Motor Assembly	All models except LEB07A*-1709, LES33A*-3300, LEY47A*-1709 AND LGY47A*-1109
	501213	Motor Assembly	Model LES33A*-3300
7	501218P	Motor Switch	Does not include thermal protector
8	58047	Motor Mounting Clamp	
9	59174	Belt	
10	500011	Motor Pulley	
11	590P3	Motor Hub Ring Kit	
12	503661	Screw	
13	56076	Spring	
14	56156	Locknut	
15	500910	Idler Lever	
16	56461	Shaft	
17	52549	Washer	
18	54414	Idler Pulley	
19	23748	Retainer Ring	
20	500824	Shoulder Screw	
21	500269	Idler Pulley And Lever Assembly	
22	52566	Lock Nut	
23	503613	Motor Mounting Bracket	
24	500070	Base	
25	33561	Screw	
26	504514	Thermostat	Models LEB07A*-1709 and LEY47A*-1709
	503979	Thermostat	Model LGY47A*-1109
	504518	Thermostat	Models LES19A*-3000, LES19A*-4500, LES33A*-3000, LES33A*-3300, LES33A*-4350, LES33A*B3018, LEZ33A*-3000, LEZ33A*B3018, LGS19A*-3088, LGS33A*-3000, LGS33A*-3058, LGS33A*-3080 and LGS33A*-3000
	504519	Thermostat	Models LGS33A*B3013, LGS33A*B3080 and LGZ33A*B3013
	504520	Thermostat – Low (Pink)	Model LES33A*-4562
	504521	Thermostat – High (Yellow/White)	Model LES33A*-4562
27	61623	Thermostat Heater	Models LEY47A*-1709 and LGY47A*-1109

* Add Letter To Designate Color. L – Almond W – White

Front Bulkhead, Air Duct, Cylinder and Removable Lint Filter

All models except LEB07A*-1709, LEY47A*-1709 and LGY47A*-1109



D373PZ3A

* Add Letter To Designate Color. L – Almond W – White

Front Bulkhead, Air Duct, Cylinder and Removable Lint Filter

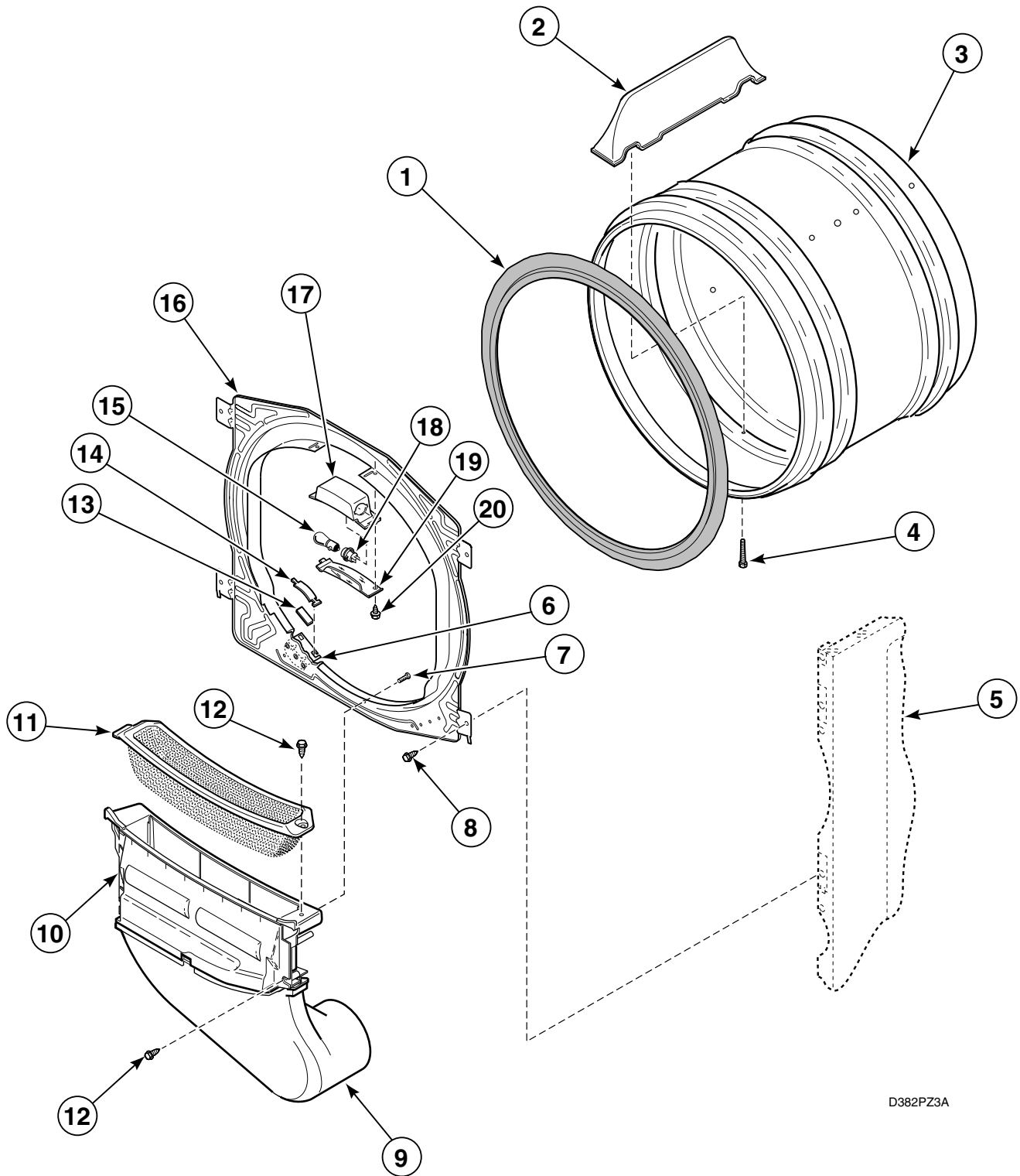
All models except LEB07A*-1709, LEY47A*-1709 and LGY47A*-1109

REF	PART #	DESCRIPTION	COMMENTS
	22506P	Adhesive For Cylinder Seal	
1	501801	Cylinder Seal	
2	503703	Baffle	
3	504467WP	Cylinder Assembly	Models LES33A* and LGS33A*
	504466P	Cylinder Assembly	Models LES19A*, LGS19A* and LGS19A*-1188
4	62588	Screw	
5	500001*P	Cabinet	
6	501554	Glide Bracket	
7	500226	Screw	
8	503661	Screw	
9	503626	Lower Air Duct Assembly	
10	501285	Screw	
11	505528	Upper Air Duct Assembly	
12	503627	Lint Filter	
13	500092	Felt Pad	
14	501676	Cylinder Glide	Painted and unpainted cylinder - one required per side
15	505059W	Front Bulkhead	

* Add Letter To Designate Color. L – Almond W – White

Front Bulkhead, Air Duct, Cylinder, and Secured Lint Filter

Models LEB07A*-1709, LEY47A*-1709 and LGY47A*-1109



D382PZ3A

* Add Letter To Designate Color. L – Almond W – White

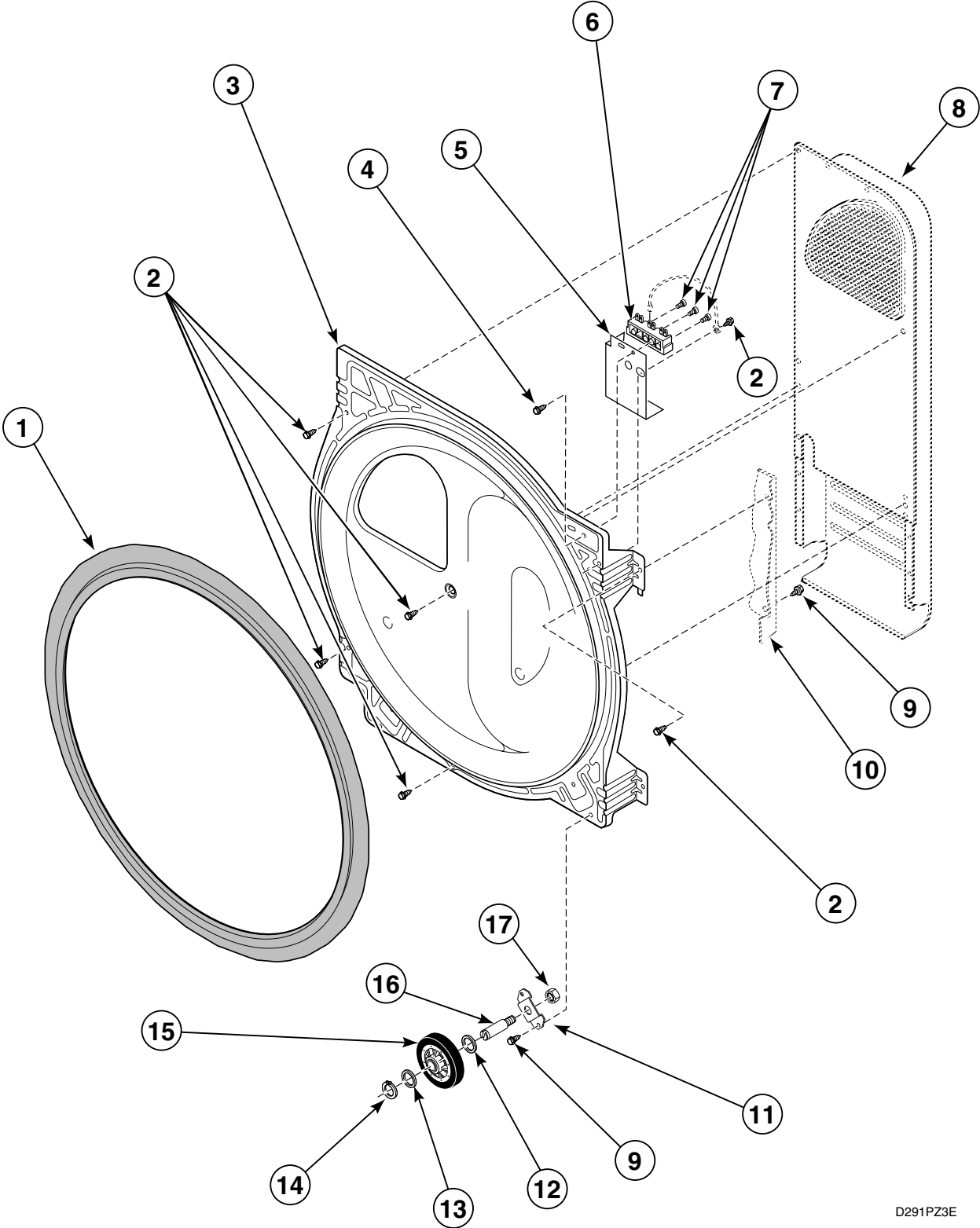
Front Bulkhead, Air Duct, Cylinder, and Secured Lint Filter

Models LEB07A*-1709, LEY47A*-1709 and LGY47A*-1109

REF	PART #	DESCRIPTION	COMMENTS
	22506P	Adhesive For Cylinder Seal	
1	501801	Cylinder Seal	
2	503703	Baffle	
3	504467WP	Cylinder Assembly	Includes baffles
4	62588	Screw	
5	500001*P	Cabinet	
6	501554	Glide Bracket	
7	500226	Screw	
8	503688	Screw	
9	503626	Lower Air Duct Assembly	
10	505529	Upper Air Duct Assembly	
11	503980	Lint Filter	
12	501285	Screw	
13	500121	Felt Pad	
14	501676	Cylinder Glide	
15	60954	Lamp	Models LEY47A*-1709 and LGY47A*-1109
16	505059W	Front Bulkhead	Models LEY47A*-1709 and LGY47A*-1109
	505060W	Front bulkhead	Model LEB07A*-1709
17	503622	Cylinder Light Housing	Models LEY47A*-1709 and LGY47A*-1109
18	504458	Lamp Holder	Models LEY47A*-1709 and LGY47A*-1109
19	503623	Lens	Models LEY47A*-1709 and LGY47A*-1109
20	500227	Screw	Models LEY47A*-1709 and LGY47A*-1109

* Add Letter To Designate Color. L – Almond W – White

Rear Bulkhead, Felt Seal, Cylinder Roller and Terminal Block



D291PZ3E

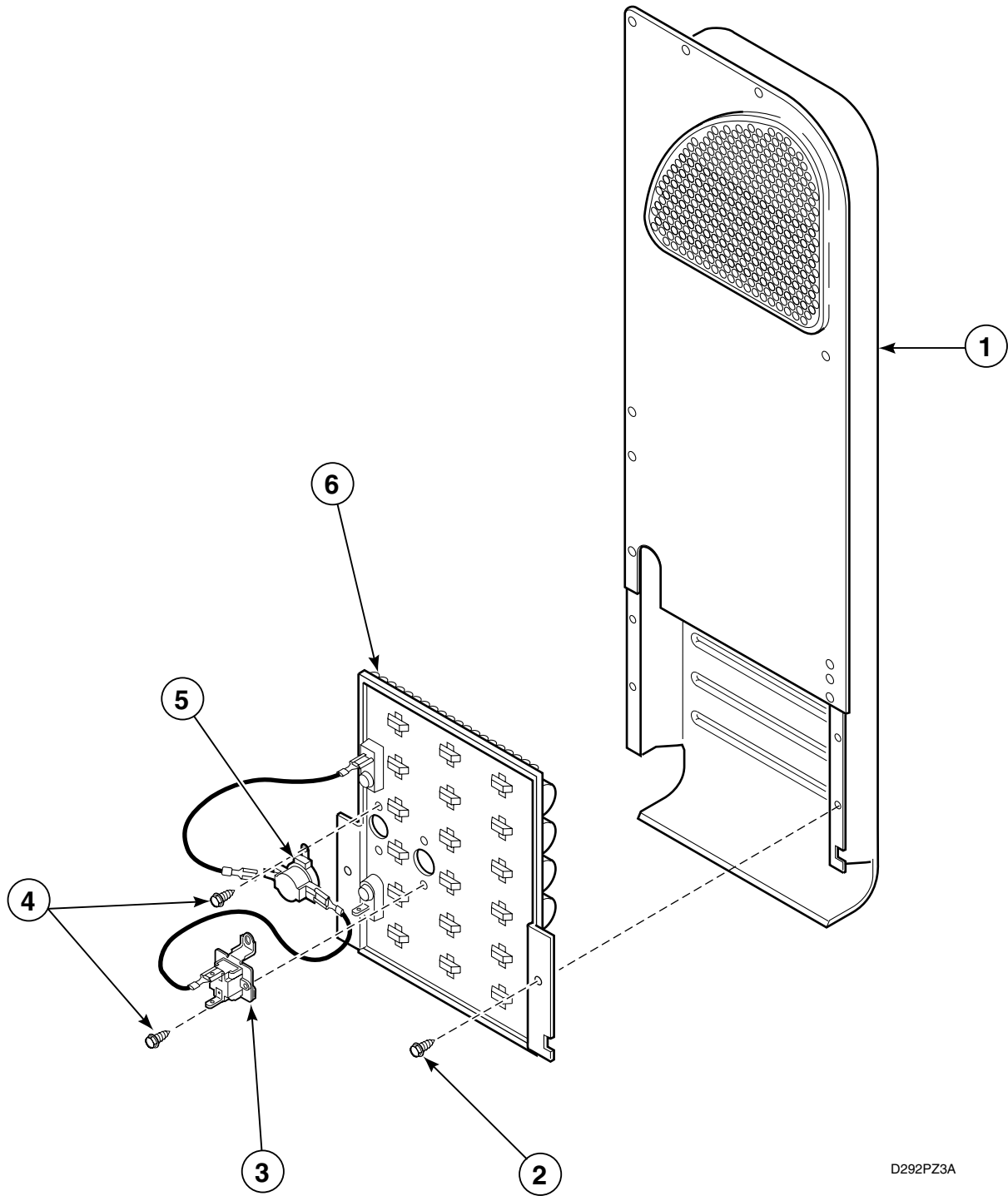
Rear Bulkhead, Felt Seal, Cylinder Roller and Terminal Block

REF	PART #	DESCRIPTION	COMMENTS
	22506P	Adhesive For Cylinder Seal	
1	501801	Cylinder Seal	
2	503661	Screw	
3	505245	Rear Bulkhead	Painted—Includes 501801 Cylinder Seal
4	501285	Screw	
5	504185	Shield	
6	61923P	Terminal Block	
7	61199	Screw	
8	503607	Heater Assembly	
9	503688	Screw	
10	500001*P	Cabinet	
11	500062	Roller Bracket	
12	504082	Wave Washer	
13	52549	Washer	
14	23748	Retainer Ring	
15	500214P	Cylinder Roller	
16	56461	Shaft	
17	56156	Locknut	

* Add Letter To Designate Color. L – Almond W – White

Heater Duct and Element Assembly

(Electric Model Dryers)



D292PZ3A

Heater Duct and Element Assembly

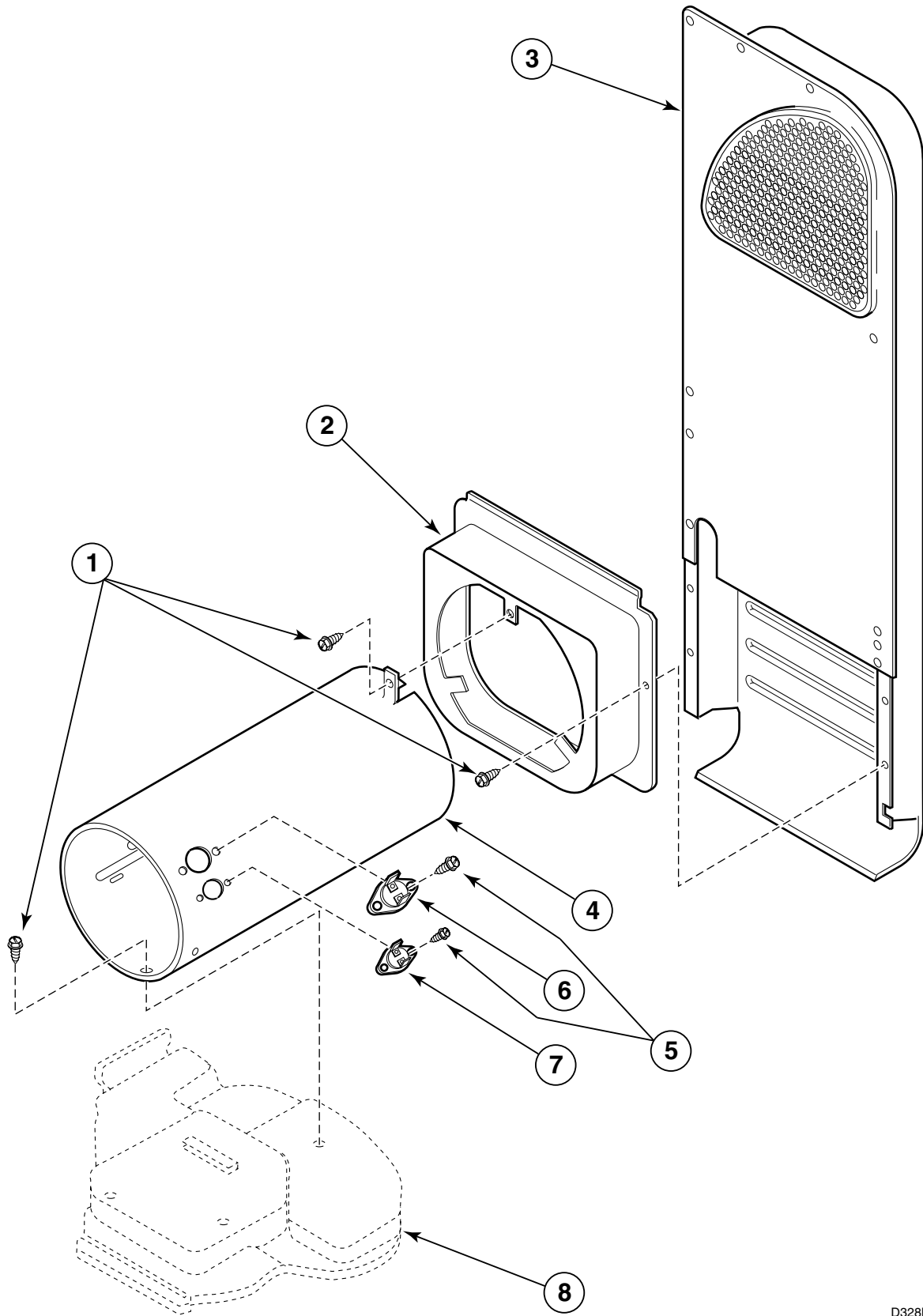
(Electric Model Dryers)

REF	PART #	DESCRIPTION	COMMENTS
1	503607P	Heater Duct Assembly	
2	503688	Screw	
3	62600	Thermal Fuse	
4	23222	Screw	
5	62641	Limit Thermostat	All electric models except LES19A*-4500 and LES33A*-4562
	61893	Limit Thermostat	Models LES19A*-4500 and LES33A*-4562
6	61195	Heater Assembly	Models LEB07A*-1709, LES33A*-3300 and LEY47A*-1709
	61514	Heater Assembly	Models LES19A*-3000, LES33A*-3000, LES33A*B3018, LEZ33A*-3000 and LEZ33A*B3018
	61516	Heater Assembly	Models LES19A*-4500 and LES33A*-4562

* Add Letter To Designate Color. L – Almond W – White

Heater Duct Assembly

(Gas Model Dryers)



D328PZ3A

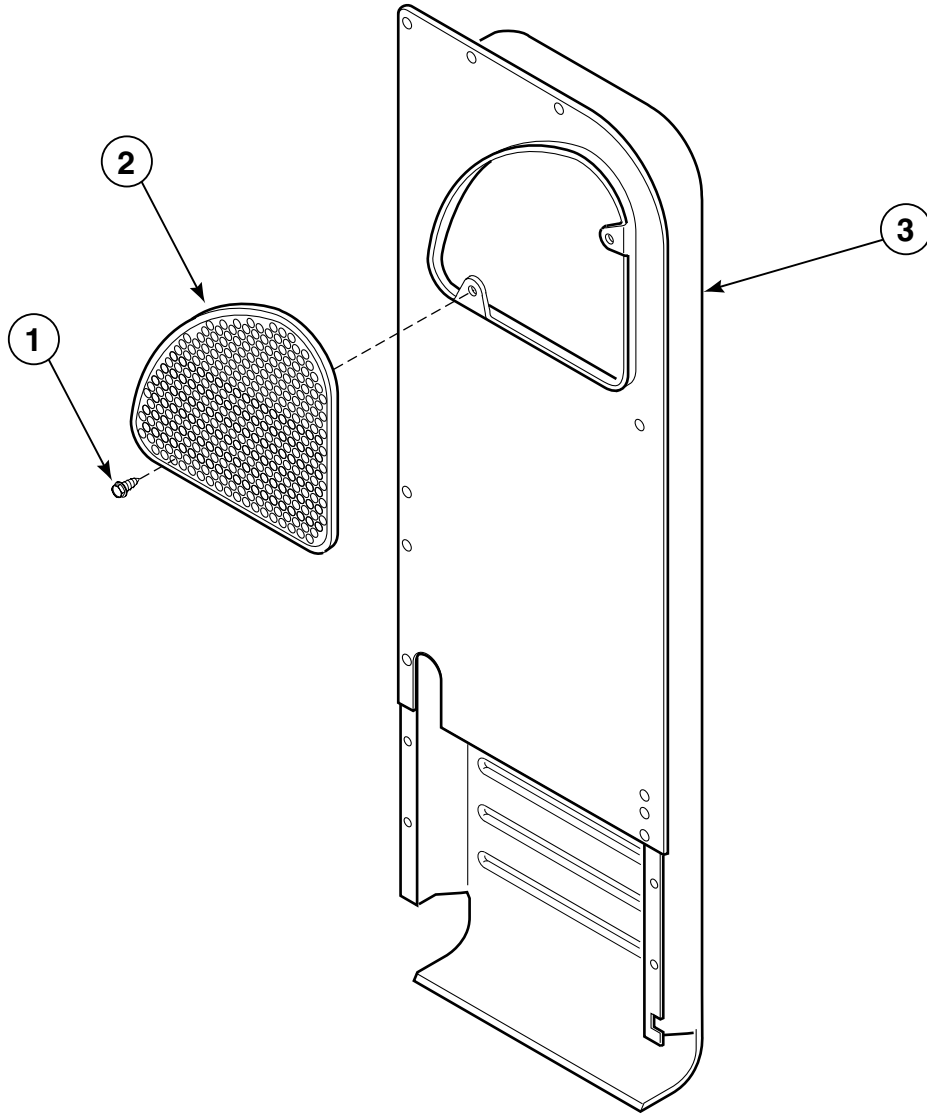
Heater Duct Assembly

(Gas Model Dryers)

REF	PART #	DESCRIPTION	COMMENTS
1	503688	Screw	
2	500122	Heat Shroud	
3	503607P	Heater Duct Assembly	
4	61888	Combustion Duct	All models except LGS33A*-3058
	504799	Combustion Duct	Model LGS33A*-3058
5	51782	Screw	
6	61886	Limit Thermostat	
7	62034	Thermostat	Model LGS33A*-3058
8	500070	Base	

* Add Letter To Designate Color. L – Almond W – White

Heater Duct Assembly Replacement



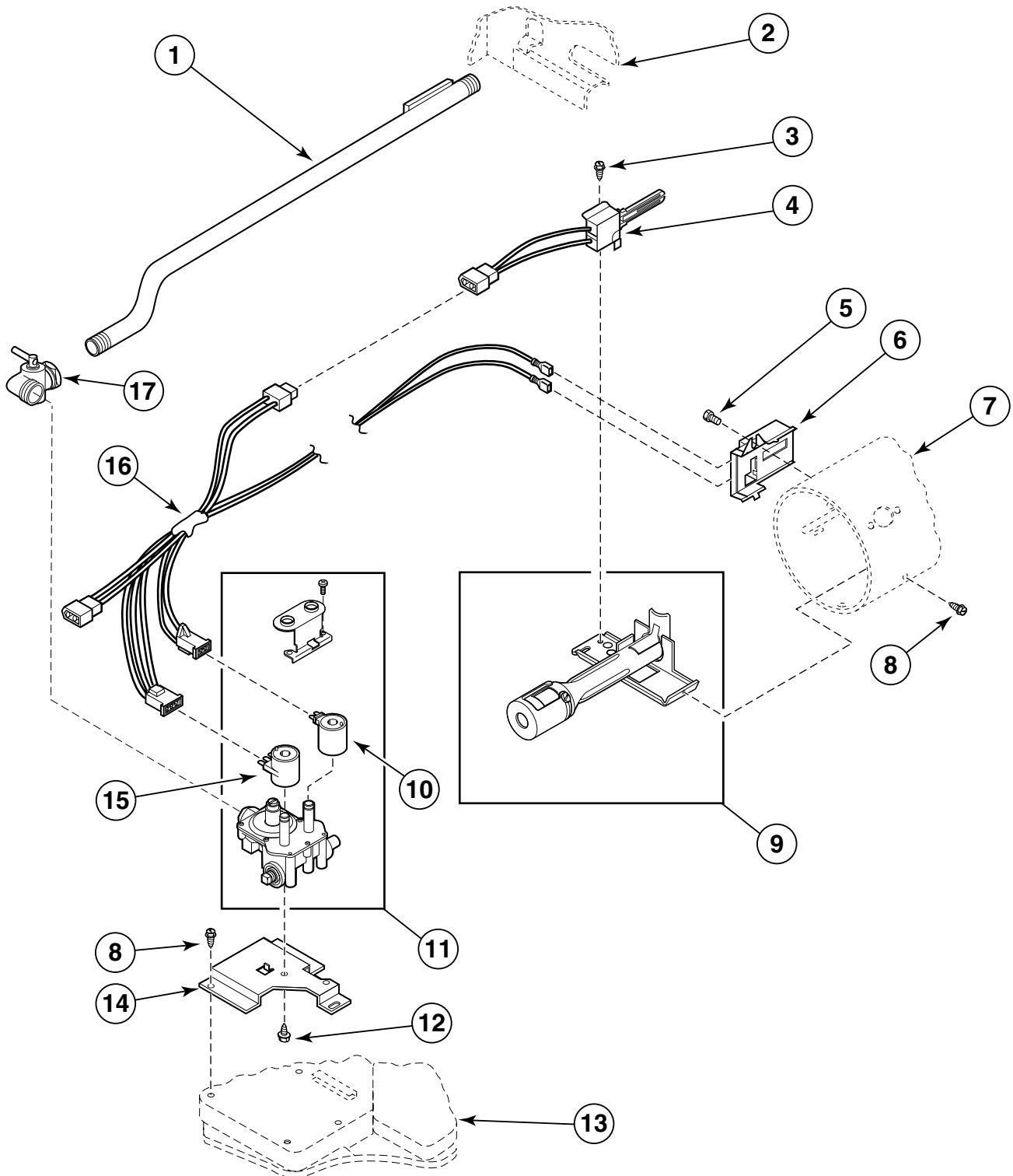
D294PZ3A

Heater Duct Assembly Replacement

REF	PART #	DESCRIPTION	COMMENTS
1	23962	Screw	
2	500820	Outlet Cover	Replaceable on the 50179P Heater Box Assembly only
3	503607P	Heater Duct Assembly	Includes outlet cover and screws

Gas Valve, Igniter and Gas Conversion Kits

(Gas Dryer Models LGS19A*-3088, LGS33A*-3000, LGS33A*-3080, LGY47A*-1109 and LGZ33A*-3000)



D303PZ3A

* Add Letter To Designate Color. L – Almond W – White

Gas Valve, Igniter and Gas Conversion Kits

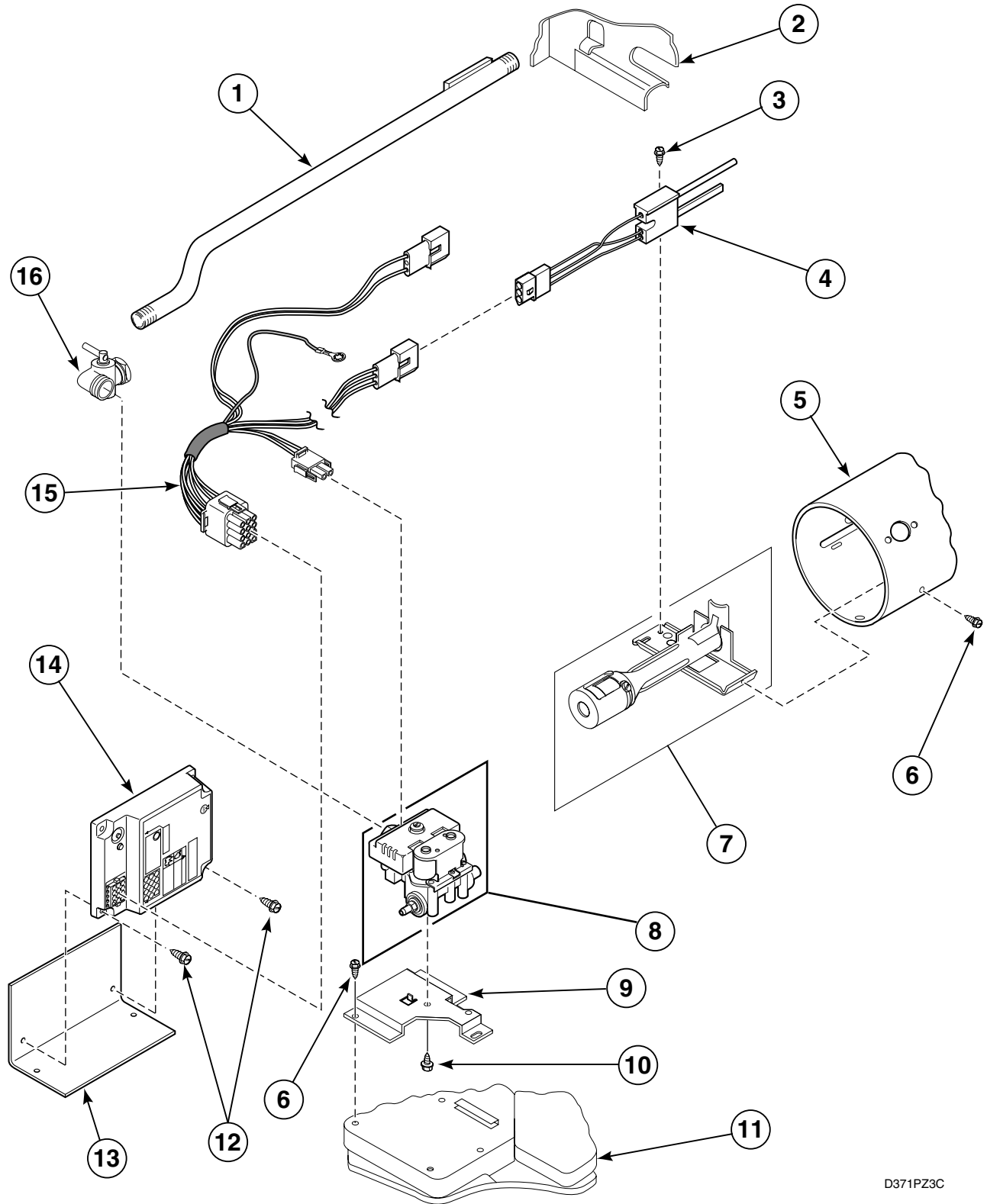
(Gas Dryer Models LGS19A*-3088, LGS33A*-3000, LGS33A*-3080, LGY47A*-1109 and LGZ33A*-3000)

REF	PART #	DESCRIPTION	COMMENTS
	649P3	Gas Burner Conversion Kit	Used to convert dryers from Natural/Mixed to LP Gas
	650P3	Gas Burner Conversion Kit	Used to convert dryers from LP to Natural/Mixed Gas
1	500647	Lead-in Pipe Assembly	
2	500001*P	Cabinet	
3	51782	Screw	
4	60868	Igniter and Bracket Assembly	
5	23222	Screw	
6	56231	Sensor	
7	61888	Combustion Duct	
8	503688	Screw	
9	56234	Burner Assembly	
10	58804B	Secondary Coil	
11	504091	Gas Valve Assembly	Model LGY47A*-1109
	59063	Gas Valve Assembly	Models LGS19A*-3088, LGS33A*-3000, LGS33A*-3080 and LGZ33A*-3000
12	56124	Screw	
13	500070	Base	
14	500821	Mounting Bracket	
15	58804A	Holding and Booster Coil	
16	60641	Wire Harness	
17	56229	Shut-off Valve	

* Add Letter To Designate Color. L – Almond W – White

Gas Valve, Igniter, Ignition Control and Gas Conversion Kits

(Gas Dryer Models LGS33A*-3058, LGS33A*B3013, LGS33A*B3080 and LGZ33A*B3013)



D371PZ3C

* Add Letter To Designate Color. L – Almond W – White

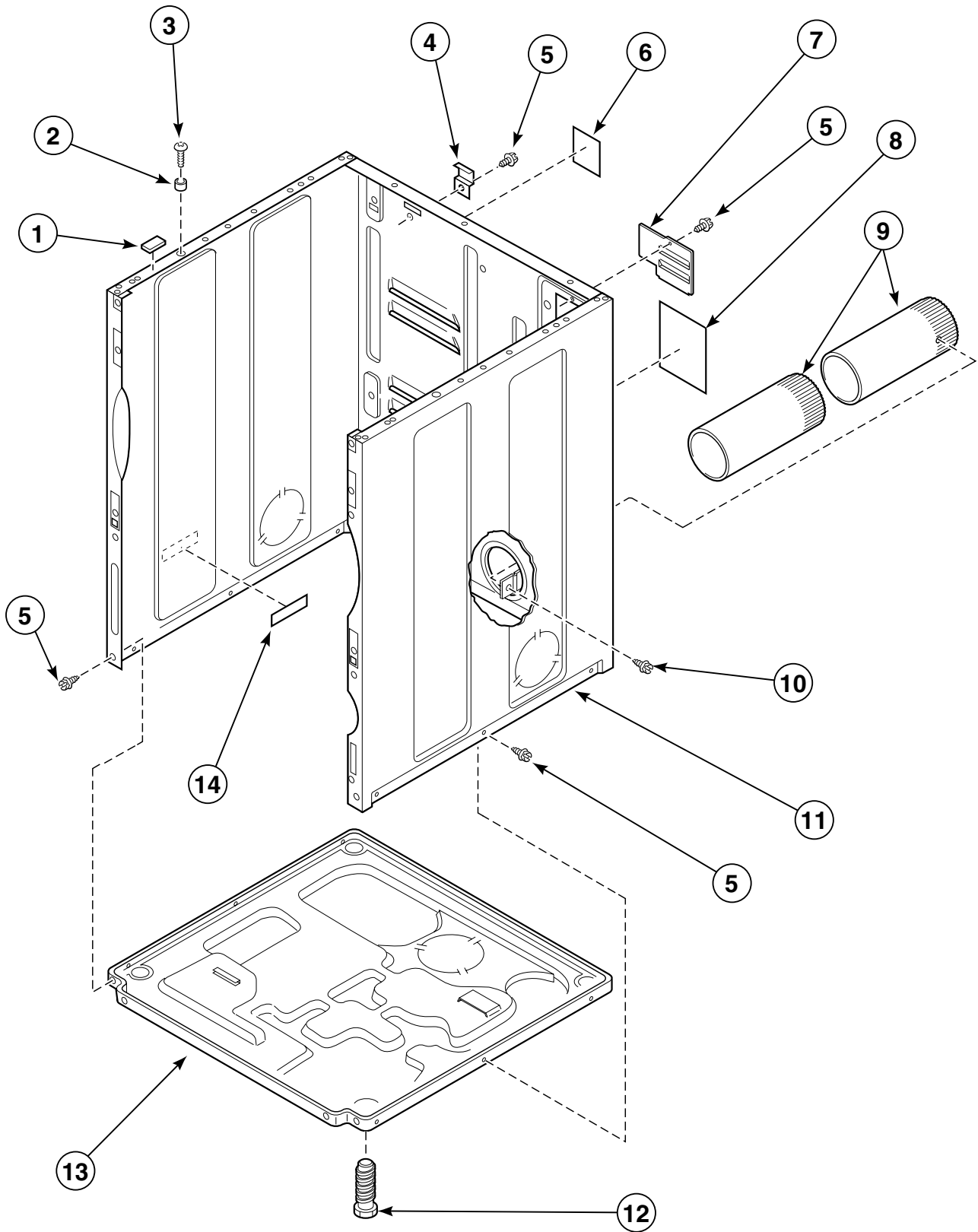
Gas Valve, Igniter, Ignition Control and Gas Conversion Kits

(Gas Dryer Models LGS33A*-3058, LGS33A*B3013, LGS33A*B3080 and LGZ33A*B3013)

REF	PART #	DESCRIPTION	COMMENTS
	649P3	Gas Burner Conversion Kit	Used to convert dryers from Natural/Mixed to LP Gas
	650P3	Gas Burner Conversion Kit	Used to convert dryers from LP to Natural/Mixed Gas
1	500647	Lead-in Pipe Assembly	
2	500001*P	Cabinet	
3	51782	Screw	
4	502995	Igniter And Sensor Assembly	Includes 62034 and 61886 thermostats
5	504799	Combustion Duct	
6	503688	Screw	
7	56234	Burner Assembly	
8	502423	Gas Valve Assembly	
9	500821	Mounting Bracket	
10	56124	Screw	
11	500070	Base	
12	502535	Screw	
13	502425	Bracket	
14	502994	Ignition Control	
15	502609	Wire Harness	
16	56229	Shut-off Valve	

* Add Letter To Designate Color. L – Almond W – White

Cabinet, Exhaust Duct and Base



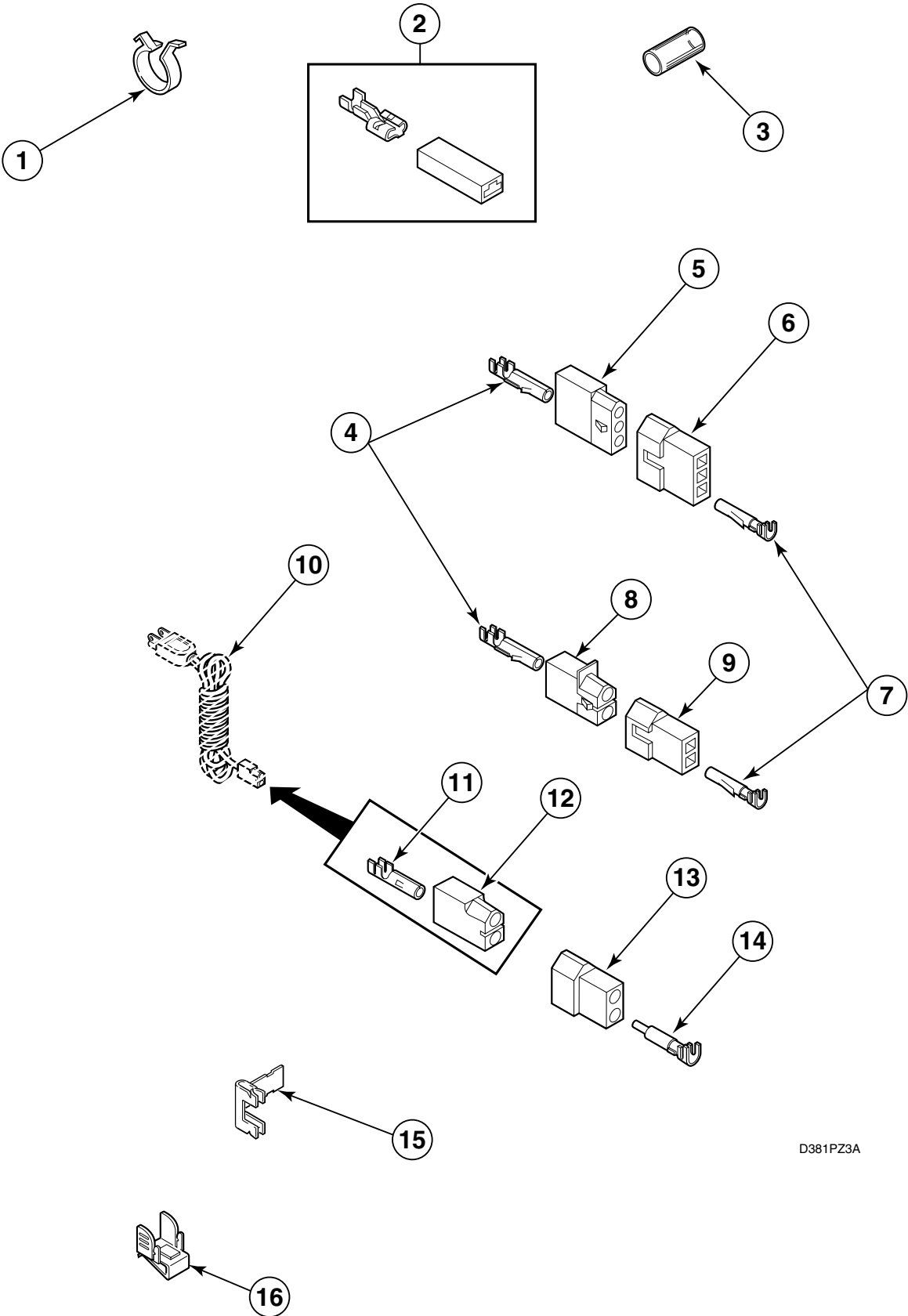
D296PZ3A

Cabinet, Exhaust Duct and Base

REF	PART #	DESCRIPTION	COMMENTS
	521P3	Flexible Venting Kit	
	528P3	Directional Exhaust Kit	Used to vent dryer out the sides or bottom
1	56128	Bumper	
2	56079	Locator	
3	32671	Screw	
4	500003	Top Hinge	
5	503661	Screw	
6	500495	Label	Gas Models
7	500114	Access Cover Plate	
8	501289	Label	Electric Models
9	500064	Exhaust Duct	Each dryer requires two pieces
10	503688	Screw	
11	500001*P	Cabinet	
12	500101	Leveling Leg	
13	500070	Base	
14	61294	Label	Electric Models

* Add Letter To Designate Color. L – Almond W – White

Terminals and Clips



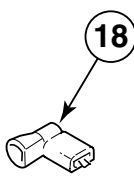
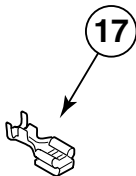
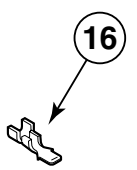
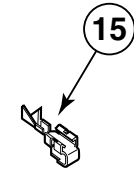
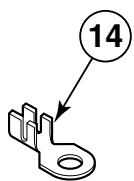
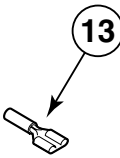
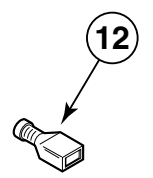
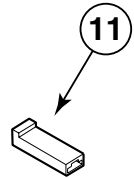
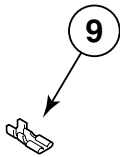
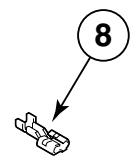
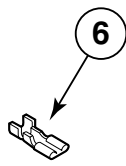
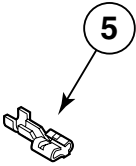
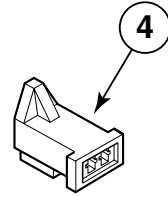
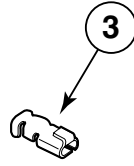
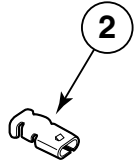
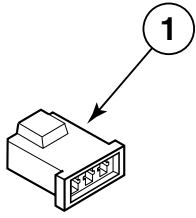
D381PZ3A

Terminals and Clips

REF	PART #	DESCRIPTION	COMMENTS
1	504034	Wire Clip	
2	00237	Insulated 1/4 Inch Spade Terminal	(1) 12 Gauge Wire or (2) 18 Gauge Wires
3	503670	Insulator Sleeve	
4	00117	Female Socket Terminal	
5	23039	Terminal Block Receptacle	3 Circuit
6	23040	Terminal Block Plug	3 Circuit
7	00116	Male Pin Terminal	
8	56451	Terminal Block Receptacle	2 Circuit
9	56448	Terminal Block Plug	2 Circuit
10	56222	Power Cord	Model LGY47A*-1109
11	00130	Female Socket Terminal	Model LGY47A*-1109
12	56265	Terminal Block Receptacle	Model LGY47A*-1109
13	56266	Terminal Block Plug	2 Circuit
14	00127	Male Pin Terminal	
15	505102	Harness Restraining Clip	
16	00161	Ground Clip	

* Add Letter To Designate Color. L – Almond W – White

Terminals

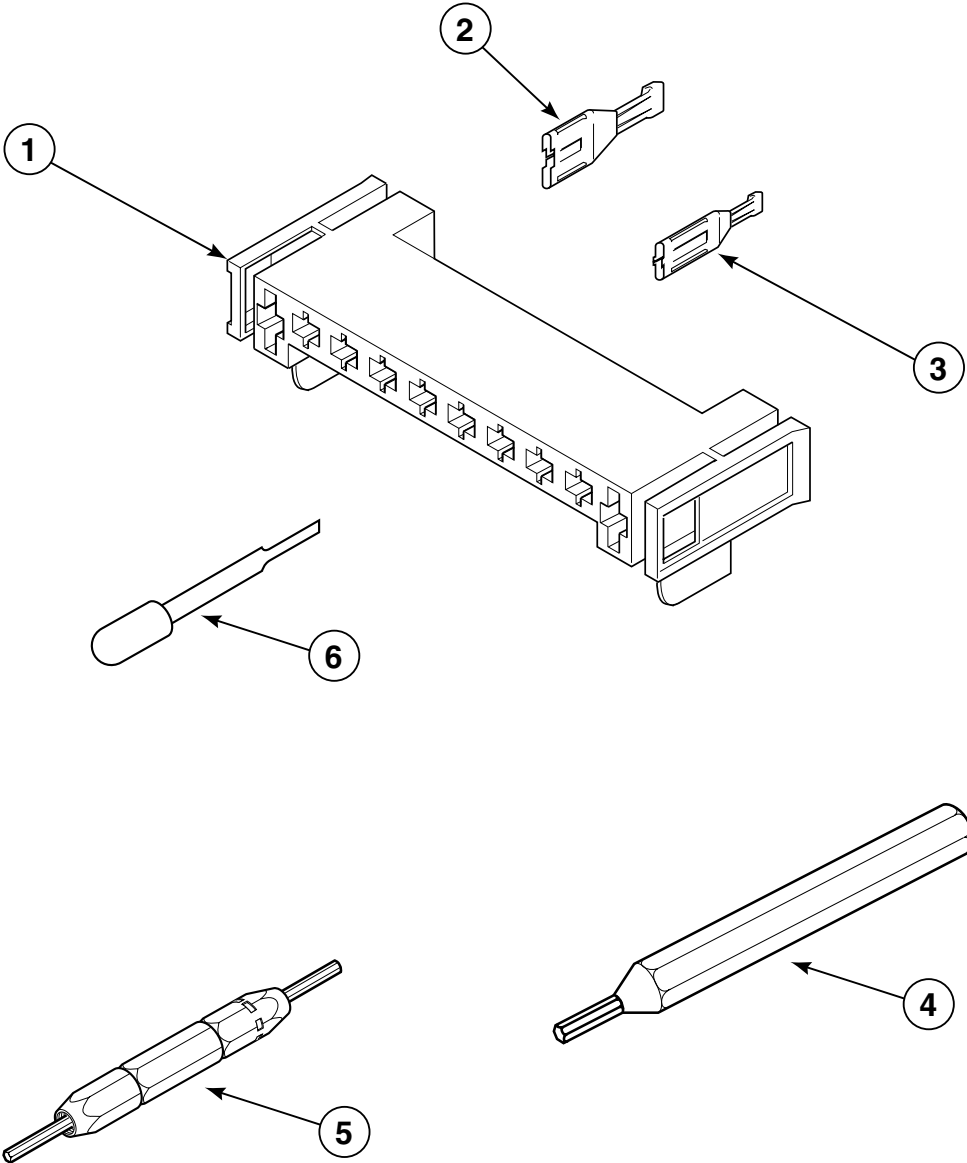


D379PZ3A

Terminals

REF	PART #	DESCRIPTION	COMMENTS
1	58800	Terminal Block	3 Circuit connector
2	00189	Spade Terminal	
3	00190	Terminal	Receptacle connector
4	58799	Terminal Block	2 Circuit connector
5	00119	Spade Terminal	1/4 Inch - (1) 18 Gauge Wire
	00121	Spade Terminal	1/4 Inch - (2) 18 Gauge Wires or (1) 12 Gauge Wire
	00245	Spade Terminal	1/4 Inch - (1) 22 Gauge Wire
6	00124	Spade Terminal	3/16 Inch - (1) 18 Gauge Wire - .020 Tab
	00156	Spade Terminal	3/16 Inch - Thermostat Wire - .032 Tab
	00209	Spade Terminal	3/16 Inch - (2) 18 Gauge Wires -.020 Tab
7	38384	Strain Relief	Gas Models
8	00346	Terminal	
9	00347	Terminal	
10	00115	Lock In Spade Terminal	1/4 Inch - (1) 18 Gauge Wire
	00122	Lock In Spade Terminal	1/4 Inch - (2) 18 Gauge Wires or (1) 12 Gauge Wire
11	90789	Connector	
12	00163	Insulated Spade Terminal	1/4 Inch
	00165	Insulated Spade Terminal	3/16 Inch
13	00214	Barrel Insulated Spade Terminal	1/4 Inch - 18 Gauge Wire
	00215	Barrel Insulated Spade Terminal	1/4 Inch - 12 Gauge Wire
14	00110	Ring Terminal #10	(1) 18 Gauge Wire
	00111	Ring Terminal #10	(2) 18 Gauge Wires or (1) 12 Gauge Wire
15	00114	Spade Terminal	1/4 Inch - Double connector
16	00138	Male Tab Terminal	1/4 Inch - (1) 18 Gauge Wire
	00139	Male Tab Terminal	1/4 Inch - (2) 18 Gauge Wires or (1) 12 Gauge Wire
17	00344	Terminal	
18	00345	Terminal	

Motor Connection Block, Terminal Extractor Tools



D301PZ3A

Motor Connection Block, Terminal Extractor Tools

REF	PART #	DESCRIPTION	COMMENTS
1	500338	Motor Connection Block	Molex - 10 Circuit
2	00256	Spade Terminal	1/4 Inch - For (1) or (2) 18 Gauge Wires
2	00255	Spade Terminal	1/4 Inch - For (1) 12 Gauge Wire
3	00188	Molex Terminal	For one or two wire application
4	128P4	Terminal Extractor Tool	For use on gas dryer terminals
5	190P4	Terminal Extractor Tool	For use on electric dryer terminals
6	283P4	Terminal Extractor Tool	For use on Molex Connectors

Strain Relief, Adapter, Power Cord

MODEL NUMBER	STRAIN RELIEF	ADAPTER	POWER CORD
LEB07A*-1709			57637
LES33A*-4350	52113	502496	61605
LES33A*-4562	52113	502496	59427
LES33A*B3018	52113	502496	503597
LEY47A*-1709			57637
LEZ33A*B3018	52113	502496	503597
LGS19A*-3088	52113	502496	59373
LGS33A*-3058		502496	61604
LGS33A*B3013		502496	502786
LGS33A*B3080		502496	
LGY47A*-1109	38384		56222
LGZ33A*-3000		502496	501425
LGZ33A*B3013		502496	502786

* Add Letter To Designate Color. L – Almond W – White

Wire Harnesses

Individual wires are not available separately. Order complete wire harness, or order wire by the foot. See chart below.

MODEL NUMBER	WIRE HARNESS PART NUMBER									
	504067	504556	505312	504769	505066	504848	505265	503923	505466	505465
LEB07A*-1709									X	
LES19A*-3000	X									
LES19A*-4500	X									
LES33A*-3000	X									
LES33A*-3300	X									
LES33A*-4350	X									
LES33A*-4562		X								
LES33A*B3018			X							
LEY47A*-1709										X
LEZ33A*-3000	X									
LEZ33A*B3018			X							
LGS19A*-3088					X					
LGS33A*-3000						X				
LGS33A*-3058				X						
LGS33A*-3080						X				
LGS33A*B3013							X			
LGS33A*B3080							X			
LGY47A*-1109								X		
LGZ33A*-3000						X				
LGZ33A*B3013							X			

* Add Letter To Designate Color. L – Almond W – White

Order the individual wire color and gauge by the part number listed below. Order wire by the foot, and terminals and connectors as required. It is recommended when applying terminals to wires that the terminals be soldered to the wires.

IMPORTANT: Always replace wires with proper gauge.

PART NUMBER	WIRE GAUGE	WIRE COLOR
45001	18 Gauge Wire	Black
45380	12 Gauge Wire	Orange

Parts Index

A

Access Cover Plate	
500114	31
Access Panel	
510069*	11
Adapter	
502496	38
Adhesive For Cylinder Seal	
22506P	15, 17, 19

B

Baffle	
503703	15, 17
Barrel Insulated Spade Terminal	
00214	35
00215	35
Base	
500070	13, 23, 27, 29, 31
Belt	
59174	13
Bracket	
502425	29
Bumper	
56128	31
Burner Assembly	
56234	27, 29

C

Cabinet	
500001*P	7, 15, 17, 19, 27, 29, 31
Cabinet Top	
500085*P	5, 7
Combustion Duct	
504799	23, 29
61888	23, 27
Connector	
90789	35
Control Hood Rear Panel	
500343	5, 7
Cylinder Assembly	
504466P	15
504467WP	15, 17
Cylinder Glide	
501676	15, 17
Cylinder Light Housing	
503622	17
Cylinder Roller	
500214P	19
Cylinder Seal	
501801	15, 17, 19

D

Directional Exhaust Kit	
528P3	31
Door Catch	
54660	11
Door Hinge	
503676	9
Door Pull	
503646*	9
Door Seal	
503645	9
Door Striker	
500039	9
Door Striker Bracket	
500223	9
Door Switch	
504570	11

E

18 Gauge Wire	
45001	39
End Cap Left	
504009*	5
End Cap Right	
504008*	5
Exhaust Duct	
500064	31
Exhaust Fan Cover	
500078	13
500128	13
Exhaust Fan Housing	
56020	13
Exhaust Fan Impeller	
56000	13

F

Fabric Selector Switch	
503995	5
503997	5
503998	5
Felt Pad	
500092	15
500121	17
Female Socket Terminal	
00117	33
00130	33
Flexible Venting Kit	
521P3	31
Front Bulkhead	
505059W	15, 17
505060W	17
Front Panel	
503656*	9, 11
Front Panel Seal	
504005	11

G

Gas Burner Conversion Kit	
649P3	27, 29
650P3	27, 29
Gas Valve Assembly	
502423	29
504091	27
59063	27
Glide Bracket	
501554	15, 17
Graphic Panel	
503394*	5
504020*	5
504070*	5
504072*	5
504107*	5
504197*	5
Ground Clip	
00161	33

H

Harness Restraining Clip	
505102	33
Heat Shroud	
500122	23
Heater Assembly	
503607	19
61195	21
61514	21
61516	21
Heater Duct Assembly	
503607P	21, 23, 25
Hold-down Bracket	
500084	7
Hold-down Clip	
503876	7
Holding and Booster Coil	
58804A	27

I

Idler Lever	
500910	13
Idler Pulley	
54414	13
Idler Pulley And Lever Assembly	
500269	13
Igniter and Bracket Assembly	
60868	27
Igniter And Sensor Assembly	
502995	29
Ignition Control	
502994	29
Inner Door Panel and Seal Assembly	
503643W	9
Inner Door Panel, Seal Assembly and Grill	
504599W	9
Insulated Spade Terminal	
00163	35
00165	35

Insulated 1/4 Inch Spade Terminal	
00237	33
Insulator Sleeve	
503670	33

K

Keps Nut	
23951	7

L

Label	
24903	7
500281	11
500495	31
500670	11
501289	31
61294	31
Lamp	
60954	17
Lamp Holder	
504458	17
Lead-in Pipe Assembly	
500647	27, 29
Lens	
503623	17
Leveling Leg	
500101	31
Limit Thermostat	
61886	23
61893	21
62641	21
Lint Filter	
503627	15
503980	17
Locator	
56079	11, 31
Lock In Spade Terminal	
00115	35
00122	35
Lock Nut	
52566	13
Locknut	
56156	13, 19
Lockwasher	
03815	7
Lower Air Duct Assembly	
503626	15, 17

M

Male Pin Terminal	
00116	33
00127	33
Male Tab Terminal	
00138	35
00139	35
Molex Terminal	
00188	37

Motor Assembly	
501212	13
501213	13
502368	13
Motor Connection Block	
500338	37
Motor Hub Ring Kit	
590P3	13
Motor Mounting Bracket	
503613	13
Motor Mounting Clamp	
58047	13
Motor Pulley	
500011	13
Motor Switch	
501218P	13
Mounting Bracket	
500821	27, 29

O

Outer Door Panel	
503654*	9
Outlet Cover	
500820	25

P

Power Cord	
501425	38
502786	38
503597	38
56222	33, 38
57637	38
59373	38
59427	38
61604	38
61605	38

R

Rear Bulkhead	
505245	19
Retainer Ring	
23748	13, 19
Ring Terminal #10	
00110	35
00111	35
Roller Bracket	
500062	19

S

Screw	
20267	7
23222	21, 27
23962	25
31260	13
32671	11, 31
33561	13
500226	9, 15, 17

500227	17
501086	5, 7
501285	15, 17, 19
502535	29
503661	7, 11, 13, 15, 19, 31
503688	7, 17, 19, 21, 23, 27, 29, 31
505295	9
51782	23, 27, 29
56124	27, 29
61199	19
62588	15, 17

Seal

504018	13
--------------	----

Secondary Coil

58804B	27
--------------	----

Sensor

56231	27
-------------	----

Shaft

56461	13, 19
-------------	--------

Shield

504185	19
--------------	----

Shoulder Screw

500824	13
--------------	----

Shut-off Valve

56229	27, 29
-------------	--------

Signal

504102	5
--------------	---

504103	5
--------------	---

505447	5
--------------	---

Spade Terminal

00114	35
-------------	----

00119	35
-------------	----

00121	35
-------------	----

00124	35
-------------	----

00156	35
-------------	----

00189	35
-------------	----

00209	35
-------------	----

00245	35
-------------	----

00255	37
-------------	----

00256	37
-------------	----

Spring

56076	13
-------------	----

Spring Clip

28835	11
-------------	----

Strain Relief

38384	35, 38
-------------	--------

52113	38
-------------	----

Support Control Pane

503901	5
--------------	---

Switch Knob Assembly

33688	5
-------------	---

36701*	5
--------------	---

T

Terminal

00190	35
-------------	----

00344	35
-------------	----

00345	35
-------------	----

00346	35
-------------	----

00347	35
-------------	----

Terminal Block

58799	35
-------------	----

58800	35
-------------	----

61923P	19
--------------	----

Terminal Block Plug		504067	39
23040	33	504556	39
56266	33	504769	39
56448	33	504848	39
Terminal Block Receptacle		505066	39
23039	33	505265	39
56265	33	505312	39
56451	33	505465	39
Terminal Extractor Tool		505466	39
128P4	37	60641	27
190P4	37		
283P4	37		
Thermal Fuse			
62600	21		
Thermostat			
503979	13		
504514	13		
504518	13		
504519	13		
62034	23		
Thermostat – High (Yellow/White)			
504521	13		
Thermostat – Low (Pink)			
504520	13		
Thermostat Heater			
61623	13		
Timer5			
502964	5		
502966	5		
504547	5		
504548	5		
Timer Knob Assembly			
502220*	5		
504002	5		
Top Cover			
503674*	5		
Top Hinge			
500003	31		
Transformer and Plug			
59971	7		
59972	7		
12 Gauge Wire			
45380	39		

U

Upper Air Duct Assembly			
505528	15		
505529	17		

W

Washer			
52549	13, 19		
Wave Washer			
504082	19		
Wedge			
505328	9		
Wire Clip			
504034	33		
Wire Harness			
502609	29		
503923	39		