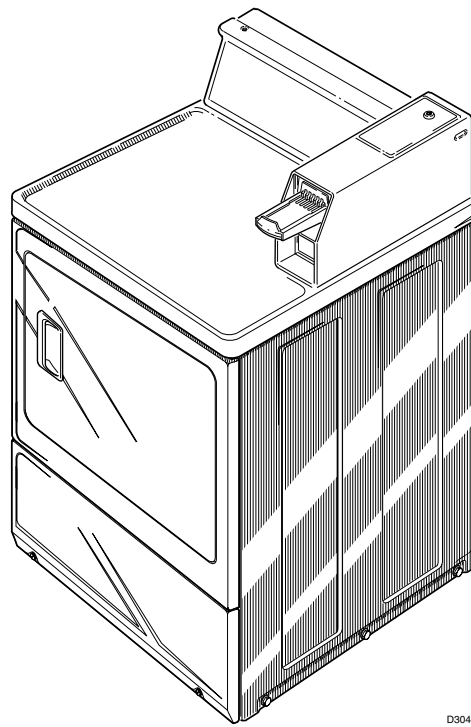


# Commercial Dryers

Metered and Nonmetered  
Refer to Page 3 for Model Numbers



D304P

# Table of Contents

Title	Page
Parts Ordering Information .....	2
Nameplate Location .....	2
Model Identification .....	3
Timer, Plate, Case and Knob .....	6
Service Door and Meter Case .....	8
Service Door and Meter Case .....	10
Timer, Plate and Case .....	12
Security Case and Card Reader .....	14
Control Panel, Control Hood and Controls .....	16
Control Panel, Control Hood and Controls .....	18
Cabinet Top .....	20
Loading Door .....	22
Lower Access Panel, Front Panel and Seal .....	24
Motor, Exhaust Fan and Belt (Sheet 1 of 2) .....	26
Motor, Exhaust Fan and Belt (Sheet 2 of 2) .....	28
Motor, Exhaust Fan and Belt .....	30
Front Bulkhead, Air Duct, Felt Seal and Cylinder .....	32
Rear Bulkhead, Felt Seal, Cylinder Roller and Terminal Block .....	34
Heater Duct and Element Assembly .....	36
Heater Duct Assembly .....	38
Heater Duct Assembly .....	40
Gas Valve, Igniter and Gas Conversion Kits .....	42
Gas Valve, Igniter and Gas Conversion Kits .....	44
Cabinet, Exhaust Duct and Base .....	46
Label Location on Rear of Cabinet .....	48
Terminals .....	50
Terminals .....	52
Motor Connection Block and Tools .....	54
Strain Relief, Adapter, Power Cord .....	56
Wire Harnesses and Wires .....	57
Parts Index .....	59

© Copyright 2000, Alliance Laundry Systems LLC

All rights reserved. No part of the contents of this book may be reproduced or transmitted in any form or by any means without the expressed written consent of the publisher.

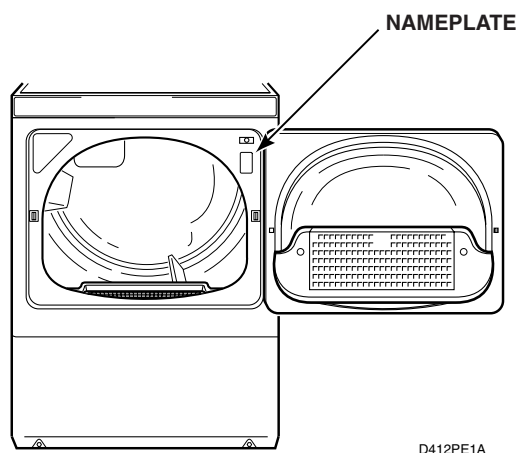
## Parts Ordering Information

If literature or replacement parts are required, contact the source from whom the machine was purchased or contact Alliance Laundry Systems at (920) 748-3950 for the name and address of the nearest authorized parts distributor.

For technical assistance, call (920) 748-3121.

## Nameplate Location

When calling or writing about your product, be sure to mention model and serial numbers. Model and serial numbers are located on nameplate(s) as shown.



## Model Identification

Information in this manual is applicable to these dryers.

Dryer Model	Nonmetered Model	Metered Model	Electronic Display Control	Coin Slide Ready	Coin Drop Ready	Coin Drop Installed	Card Reader Ready	Card Reader Installed	Electric Heat	Gas Heat
HDE007*A1702	X								X	
HDE007*A3000	X								X	
HDE007*B3003	X								X	
HDE007*B3008	X								X	
HDE007*B3010	X								X	
HDE007*C1702	X								X	
HDE007*C3000	X								X	
HDE107*A1502		X							X	
HDE107*A1702		X							X	
HDE107*A3000		X							X	
HDE107*B3018		X							X	
HDE107*C1502		X		X					X	
HDE107*C1702		X		X					X	
HDE107*C3000		X		X					X	
HDE507*A1502			X						X	
HDE507*A1702			X						X	
HDE507*C1502		X	X			X			X	
HDE507*C1702		X	X			X			X	
HDE607*A1502		X					X		X	
HDE607*A1702		X					X		X	
HDE607*C1502		X	X				X		X	
HDE607*C1702		X	X				X		X	
HDE707*A1502		X						X	X	
HDE707*A1702		X						X	X	
HDE707*C1502		X	X					X	X	
HDE707*C1702		X	X					X	X	
HDG009*A1102	X									X
HDG009*A3000	X									X
HDG009*A3008	X									X
HDG009*B3008	X									X
HDG009*C1102	X									X
HDG009*C3000	X									X
HDG109*A1102		X								X
HDG109*A3000		X								X
HDG109*B3013		X								X
HDG109*C1102		X		X						X
HDG109*C3000		X		X						X
HDG509*A1102		X	X							X
HDG509*C1102		X	X			X				X
HDG609*A1102		X					X			X
HDG709*A1102		X						X		X
HDG709*C1102		X	X					X		X

\* Add Letter To Designate Color. L - Almond W - White

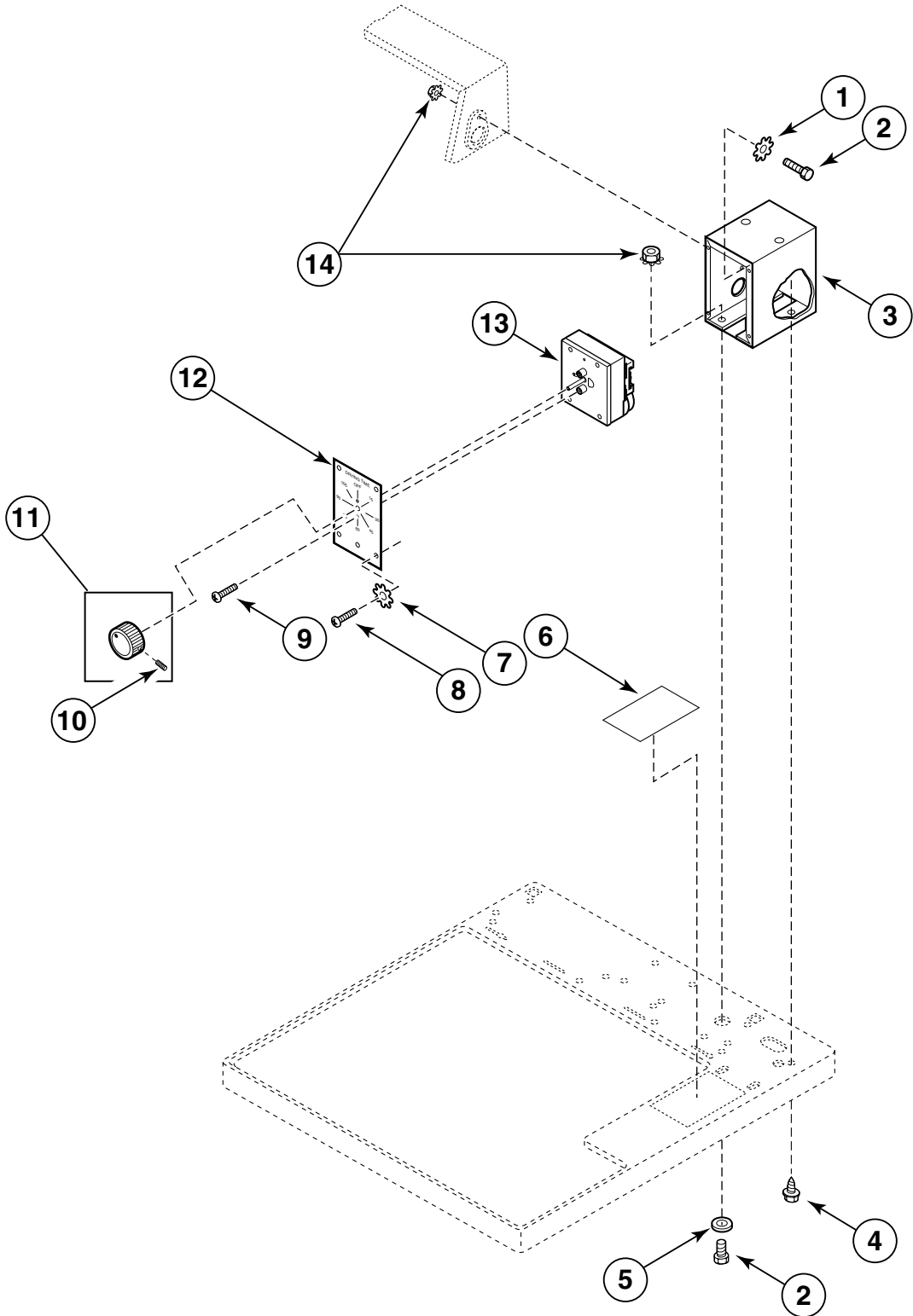
(continued on next page)

Dryer Model	Nonmetered Model	Metered Model	Electronic Display Control	Coin Slide Ready	Coin Drop Ready	Coin Drop Installed	Card Reader Ready	Card Reader Installed	Electric Heat	Gas Heat
SDE007*A3000	X								X	
SDE007*A4350	X								X	
SDE007*B3018	X								X	
SDE107*A1724		X							X	
SDE107*A3000		X							X	
SDE107*A4350		X							X	
SDE107*A5412		X							X	
SDE107*B3018		X							X	
SDE407*A3000		X	X						X	
SDE407*A4350		X	X						X	
SDG009*A3000	X									X
SDG009*A3058	X									X
SDG109*A1124		X							X	
SDG109*A3000		X								X
SDG109*A3058		X								X
SDG109*A5412		X								X
SDG109*B3013		X								X
SDG409*A3000		X			X					X
SDG409*A3058		X			X					X

\* Add Letter To Designate Color. L - Almond W - White

# Timer, Plate, Case and Knob

Models HDE007\*A1702, HDE007\*C1702, HDE007\*A3000, HDE007\*C3000, HDE007\*B3003, HDE007\*B3008, HDE007\*B3010, HDG009\*A1102, HDG009\*C1102, HDG009\*A3000, HDG009\*C3000, HDG009\*A3008, HDG009\*B3008, SDE007\*A3000, SDE007\*A4350, SDE007\*B3018, SDG009\*A3000 and SDG009\*A3058



D441PZ3A

\* Add Letter To Designate Color. L – Almond W – White

## Timer, Plate, Case and Knob

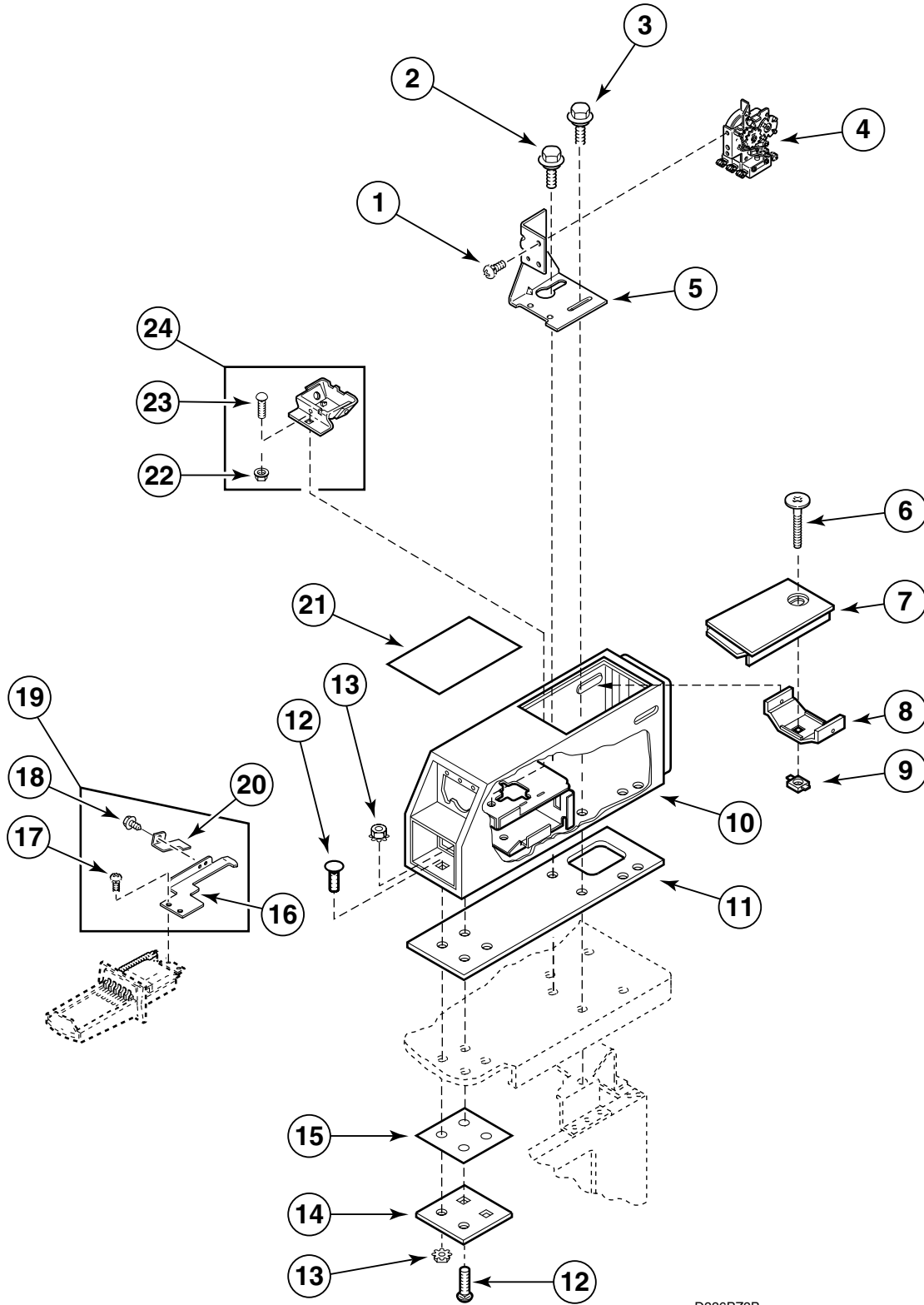
Models HDE007\*A1702, HDE007\*C1702, HDE007\*A3000, HDE007\*C3000, HDE007\*B3003, HDE007\*B3008, HDE007\*B3010, HDG009\*A1102, HDG009\*C1102, HDG009\*A3000, HDG009\*C3000, HDG009\*A3008, HDG009\*B3008, SDE007\*A3000, SDE007\*A4350, SDE007\*B3018, SDG009\*A3000 and SDG009\*A3058

REF	PART #	DESCRIPTION	COMMENTS
1	02431	Lockwasher	
2	02916	Cap Screw	
3	37733*	Timer Case	
4	501086	Screw	
5	20279	Washer	
6	500490	Instruction Label	Models HDE007*A1702, HDE007*A3000, HDG009*A1102, HDG009*A3000, HDG009*A3008, SDE007*A3000, SDE007*4350, SDG009*A3000 and SDG009*A3058, HED007*C1702, HDE007*C3000, HDG009*C1102, HDG009*C3000
	502626	Instruction Label	Models HDE007*B3003, HDE007*B3008, HDE007*B3010, HDG009*B3008 and SDE007*B3018
7	03815	Lockwasher	
8	51778	Screw	
9	27328	Screw	
10	20310	Setscrew	
11	54678	Timer Knob Assembly	
12	500921*	Timer Plate Assembly	
13	510524	Timer	Models HDE007*A1702 and HDG009*A1102, HDE007*C1702, HDG009*C1102
	510525	Timer	Models HDE007*A3000, HDE007*B3003, HDE007*B3008, HDE007*B3010, HDG009*A3000, HDG009*A3008, SDE007*A3000, SDE007*A4350, SDE007*B3018, SDG009*A3000 and SDG009*A3058, HDE007*C3000, HDG009*C3000
	510526	Timer	Model HDG009*B3008
14	29786	Keps Nut	

\* Add Letter To Designate Color. L - Almond W - White

# Service Door and Meter Case

Models HDE107\*A1502, HDE107\*C1502, HDE107\*A1702, HDE107\*C1702, HDE107\*A3000, HDE107\*C3000, HDE107\*B3018, HDG109\*A1102, HDG109\*C1102, HDG109\*A3000, HDG109\*C3000, HDG109\*B3013, SDE107\*A1724, SDE107\*A3000, SDE107\*A4350, SDE107\*A5412, SDE107\*B3018, SDG109\*A1124, SDG109\*A3000, SDG109\*A3058, SDG109\*A5412 and SDG109\*B3013



D336PZ3B

\* Add Letter To Designate Color. L – Almond W – White



## Service Door and Meter Case

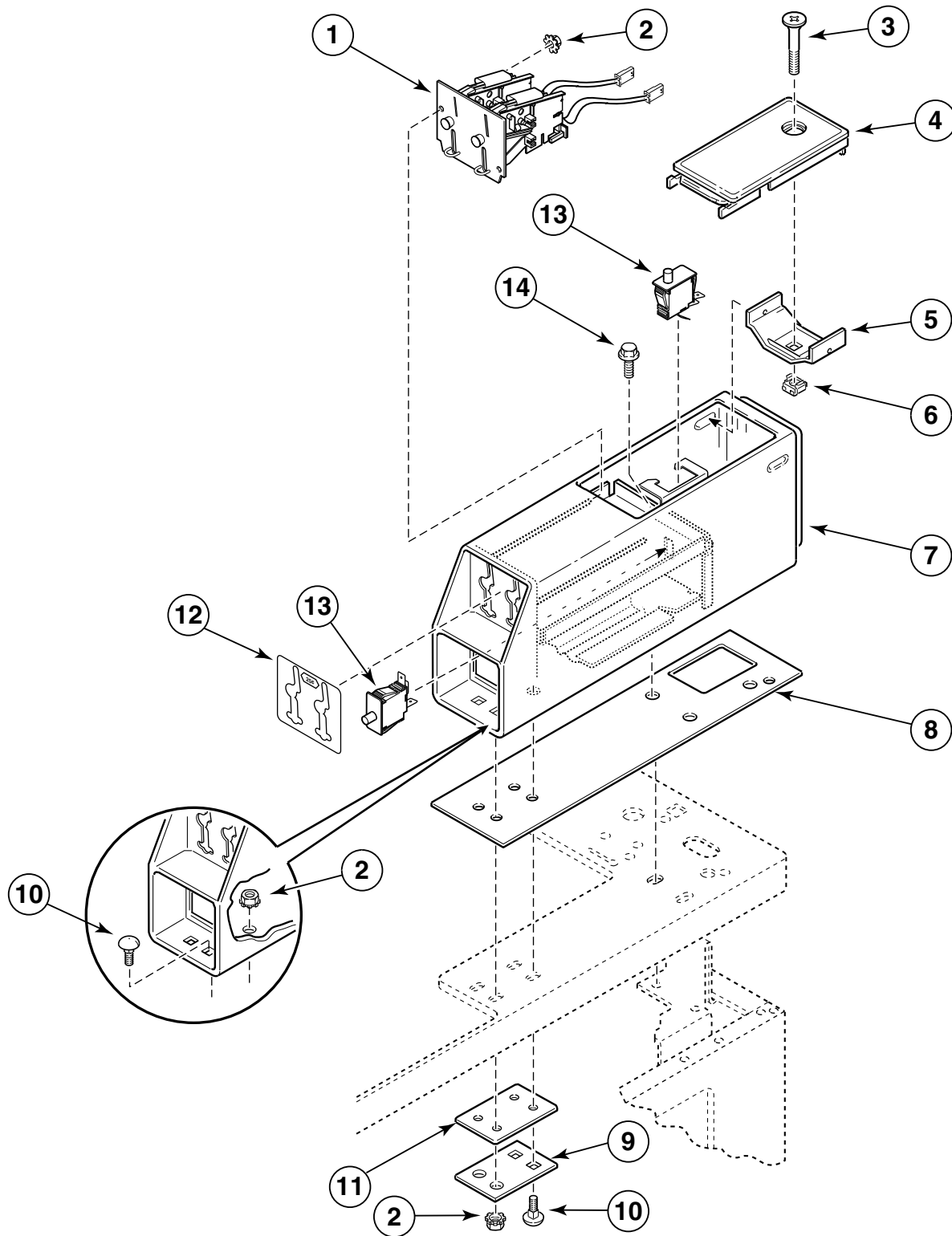
Models HDE107\*A1502, HDE107\*C1502, HDE107\*A1702, HDE107\*C1702, HDE107\*A3000, HDE107\*C3000, HDE107\*B3018, HDG109\*A1102, HDG109\*C1102, HDG109\*A3000, HDG109\*C3000, HDG109\*B3013, SDE107\*A1724, SDE107\*A3000, SDE107\*A4350, SDE107\*A5412, SDE107\*B3018, SDG109\*A1124, SDG109\*A3000, SDG109\*A3058, SDG109\*A5412 and SDG109\*B3013

REF	PART #	DESCRIPTION	COMMENTS
1	03203	Screw	
2	502431	Shoulder Screw	
3	36048	Screw	
4	501757	Timer	120 Volt/60 Hertz; Models HDE107*A1502, HDE107*C1502, HDE107*A1702, HDE107*C1702, HDG109*A1102 and HDG109*C1102
	501754	Timer	240 Volt/50 Hertz; Models HDE107*A3000, HDE107*C3000, HDE107*B3018, HDG109*A3000, HDG109*C3000, SDE107*A1724, SDE107*A3000, SDE107*A4350, SDE107*A5412, SDE107*B3018, SDG109*A1124, SDG109*A3000, SDG109*A3058 and SDG109*A5412
	510632P	Timer	24 Volt/50 Hertz; Models HDG109*B3013 and SDG109*B3013
5	503315	Timer Bracket	
6	503673	Hex Head Screw	
7	35798*	Service Door	
8	30642	Locking Bracket	
9	30647	Retainer Nut	
10	524P3*	Meter Case	Includes items 11, 12, 13, 14, 15 and 24
11	26354	Meter Case Gasket	
12	02505	Screw	
13	29786	Locknut	
14	35525	Bracket	
15	35526	Gasket	
16	503733	Slide Extension	
17	03950	Screw	
18	501086	Screw	
19	553P3	Coin Slide Extension Kit	
20	501796	Coin Slide Modifier	
21	500628	Instruction Label	Models HDE107*A1502, HDE107*C1502, HDE107*A1702, HDE107*C1702, HDE107*A3000, HDE107*C3000, HDG109*A1102, HDG109*C1102, HDG109*A3000, HDG109*C3000, SDE107*A1724, SDE107*A3000, SDE107*A4350, SDE107*A5412, SDG109*A1124, SDG109*A3000, SDG109*A3058 and SDG109*A5412
	502783	Instruction Label	
22	29796	Nut	
23	29651	Bolt	
24	523P3	Coin Funnel Kit	

\* Add Letter To Designate Color. L - Almond W - White

# Service Door and Meter Case

Models HDE507\*A1502, HDE507\*C1502, HDE507\*A1702, HDE507\*C1702, HDG509\*A1102, HDG509\*C1102, SDE407\*A3000, SDE407\*A4350, SDG409\*A3000 and SDG409\*A3058



D277PZ3C

\* Add Letter To Designate Color. L – Almond W – White

## Service Door and Meter Case

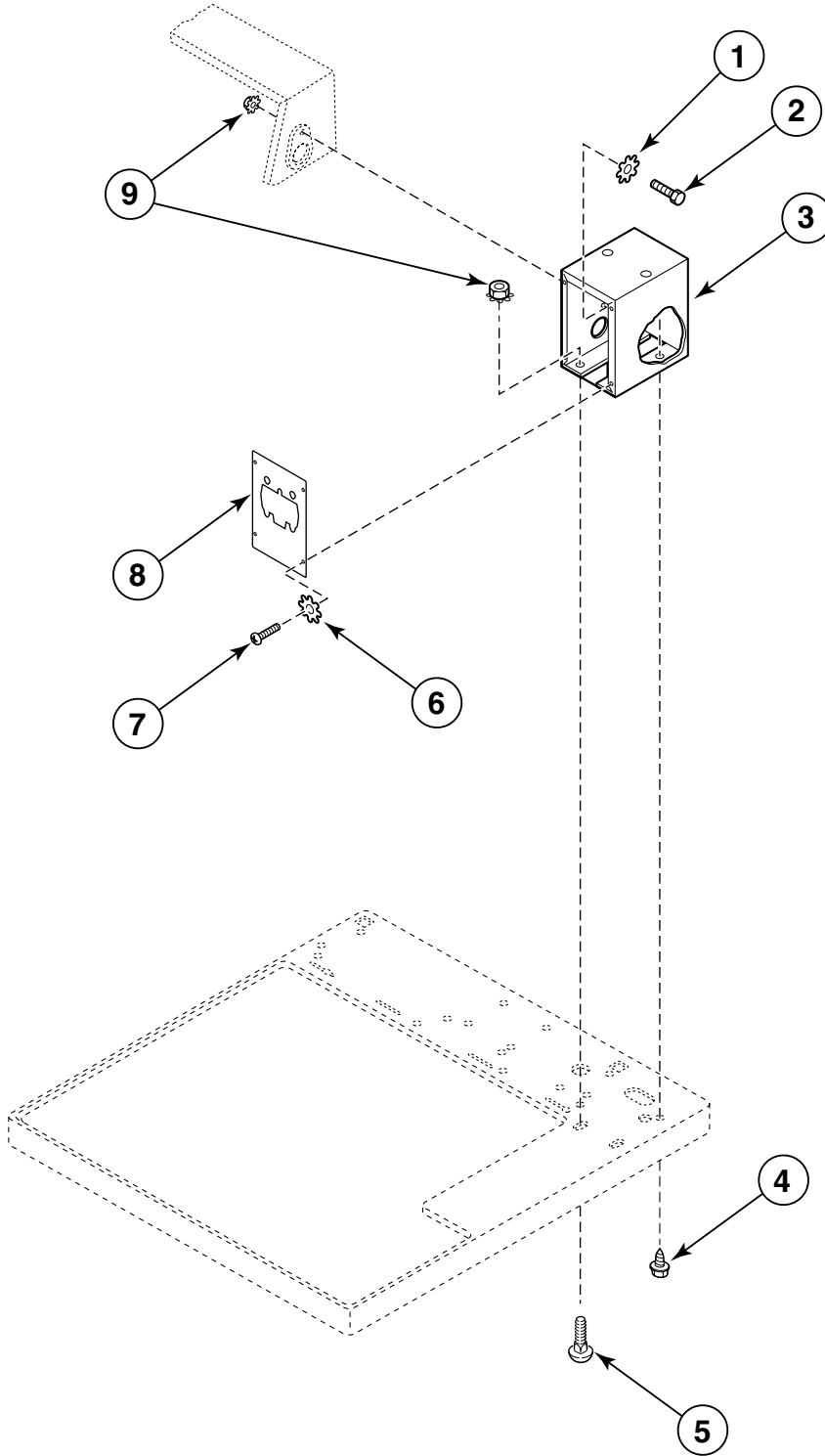
Models HDE507\*A1502, HDE507\*C1502, HDE507\*A1702, HDE507\*C1702, HDG509\*A1102, HDG509\*C1102, SDE407\*A3000, SDE407\*A4350, SDG409\*A3000 and SDG409\*A3058

REF	PART #	DESCRIPTION	COMMENTS
1	200578	Coin Drop Assembly	Models HDE507*A1502, HDE507IC1502, HDE507*A1702, HDE507*C1702, HDG509*A1102 and HDG509*C1102; Dual; Canada, \$.25/\$1.00
	38467	Coin Drop Assembly	Dual; Australia, \$.20/\$1.00
	38469	Coin Drop Assembly	Dual; Belgium, 5/20 Franc
	38464	Coin Drop Assembly	Single; Canada, \$.25
	38517	Coin Drop Assembly	Dual; Denmark, 1/5 Krone
	38472	Coin Drop Assembly	Dual; England, .20/1 Pound
	38518	Coin Drop Assembly	Dual; France, 2/10 Franc
	38520	Coin Drop Assembly	Dual; Italy, 500 Lira/Get
	38519	Coin Drop Assembly	Dual; Japan, 100/5009 Yen
	38521	Coin Drop Assembly	Dual; Korea, 100/500 Won
	38522	Coin Drop Assembly	Dual; New Zealand, \$.20/\$1.00
	38964	Coin Drop Assembly	Dual; Taiwan, 5/10 NT
	38462	Coin Drop Assembly	Single; Token, STD-118-1
	38463	Coin Drop Assembly	Single; Token, STD-118-5
	38963	Coin Drop Assembly	Single; Token, 500-118-16
2	29786	Locknut	
3	503673	Screw	
4	35798*	Service Door	
5	30642	Locking Bracket	
6	30647	Retainer Nut	
7	38724*	Meter Case	
8	26354	Meter Case Gasket	
9	35525	Bracket	
10	02505	Carriage Bolt	
11	35526	Gasket	
12	39073	Front Overlay	Models HDE507*A1502, HDE507*C1502, HDE507*A1702, HDE508*C1702, HDG509*A1102 and HDG509*C1102
13	504570	Door Switch	
14	36048	Shoulder Screw	

\* Add Letter To Designate Color. L - Almond W - White

# Timer, Plate and Case

Models HDE607\*A1502, HDE607\*A1702 and HDG609\*A1102



D348PZ3C

\* Add Letter To Designate Color. L – Almond W – White

# Timer, Plate and Case

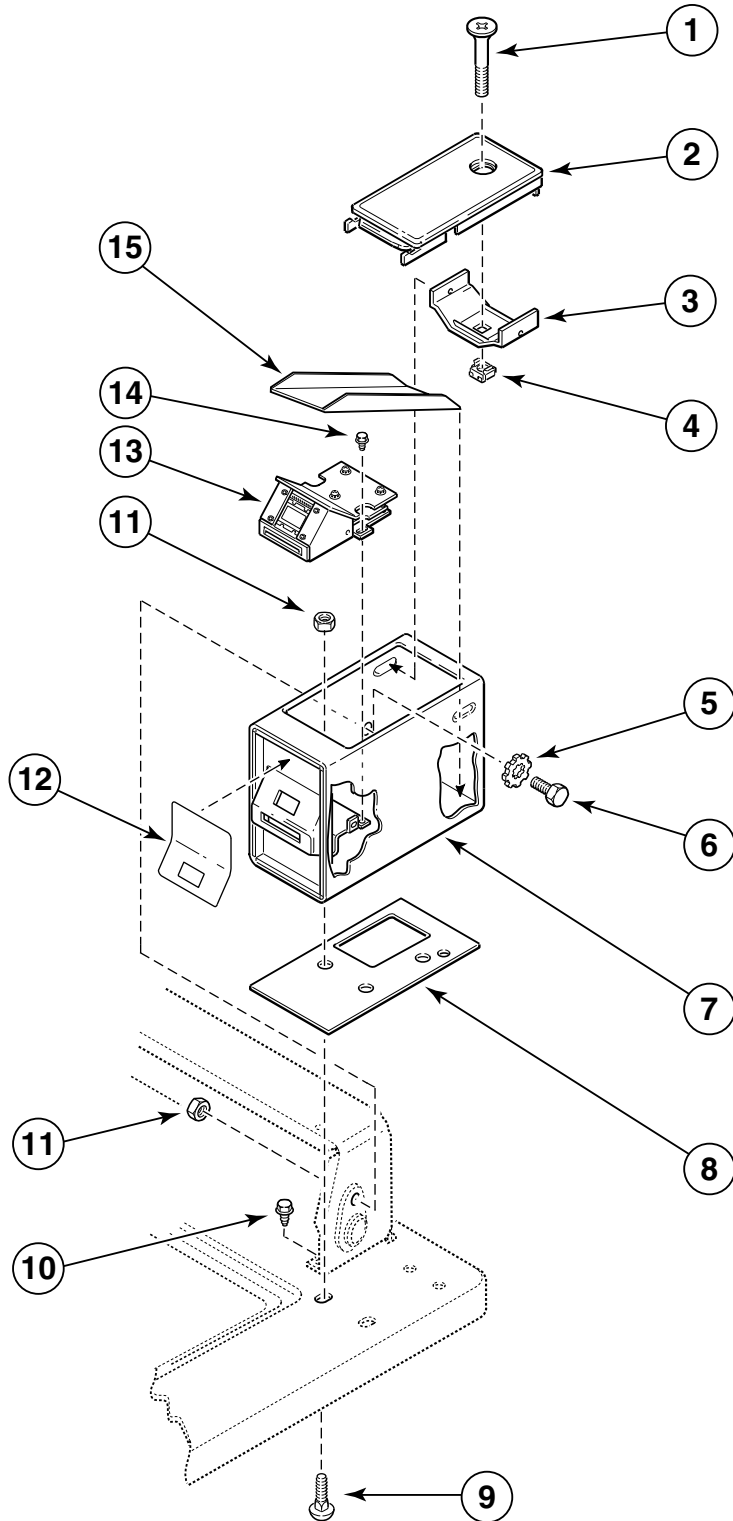
Models HDE607\*A1502, HDE607\*A1702 and HDG609\*A1102

REF	PART #	DESCRIPTION	COMMENTS
1	02431	Lockwasher	
2	02916	Cap Screw	
3	37733*	Timer Case	
4	501086	Screw	
5	02505	Carriage Bolt	
6	21734	Lockwasher	
7	51778	Screw	
8	39481	Timer Plate Assembly	
9	29786	Keps Nut	

\* Add Letter To Designate Color. L - Almond W - White

# Security Case and Card Reader

Models HDE007\*F1702, HDE507\*F1502, HDE707\*A1502, HDE707\*C1502, HDE707\*F1502, HDE707\*A1702, HDE707\*C1702, HDG009WF, HDG509\*F1102, HDG709\*A1102 and HDG709\*C1102



D349PZ3B

\* Add Letter To Designate Color. L – Almond W – White

# Security Case and Card Reader

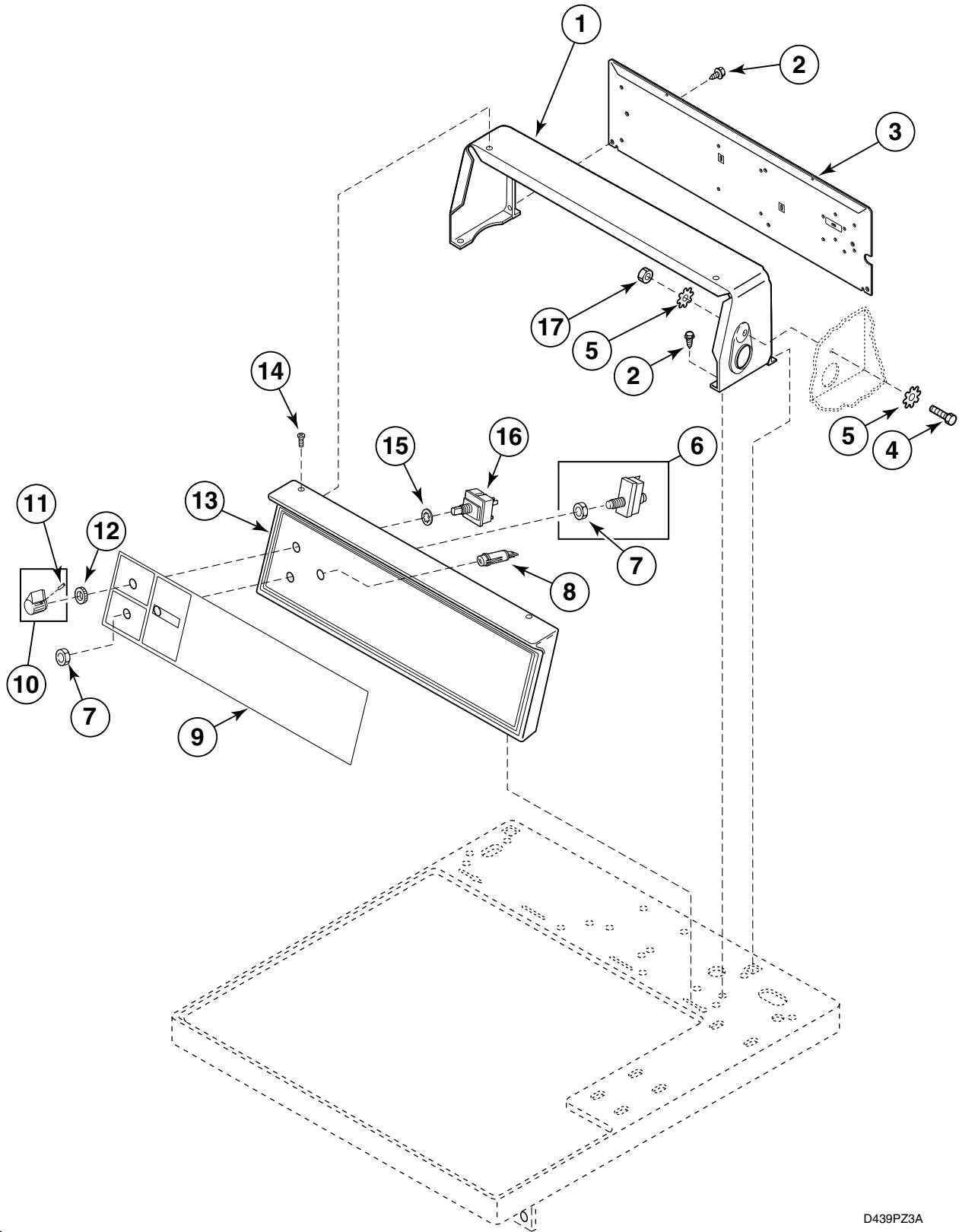
Models HDE007\*F1702, HDE507\*F1502, HDE707\*A1502, HDE707\*C1502, HDE707\*F1502, HDE707\*A1702,  
HDE707\*C1702, HDG009WF, HDG509\*F1102, HDG709\*A1102 and HDG709\*C1102

REF	PART #	DESCRIPTION	COMMENTS
1	503673	Screw	
2	35798*	Service Door	
3	30642	Bracket	
4	30647	Retainer Nut	
5	02431	Lockwasher	
6	02916	Cap Screw	
7	38145*	Security Case	
8	37526	Gasket	
9	02505	Carriage Bolt	
10	23962	Screw	
11	29786	Keps Nut	
12	38348	Overlay	All other models
	505380	Overlay	HDE507*F1502, HDG509*F1102 and HDE707*F1502
13	39685	Card Reader	
14	503688	Screw	
15	38754	Shield	

\* Add Letter To Designate Color. L - Almond W - White

# Control Panel, Control Hood and Controls

Models HDE007\*A1702, HDE007\*C1702, HDE007\*A3000, HDE007\*C3000, HDE007\*B3003, HDE007\*B3008, HDE007\*B3010, HDE107\*A1502, HDE107\*C1502, HDE107\*A1702, HDE107\*C1702, HDE107\*A3000, HDE107\*C3000, HDE107\*B3018, HDG009\*A1102, HDG009\*C1102, HDG009\*A3000, HDG009\*C3000, HDG009\*A3008, HDG009\*B3008, HDG109\*A1102, HDG109\*C1102, HDG109\*A3000, HDG109\*C3000, HDG109\*B3013, SDE007\*A3000, SDE007\*A4350, SDE007\*B3018, SDE107\*A1724, SDE107\*A3000, SDE107\*A4350, SDE107\*A5412, SDE107\*B3018, SDG009\*A3000, SDG009\*A3058, SDG109\*A1124, SDG109\*A3000, SDG109\*A3058, SDG109\*A5412 and SDG109\*B3013



\* Add Letter To Designate Color. L – Almond W – White

D439PZ3A



## Control Panel, Control Hood and Controls

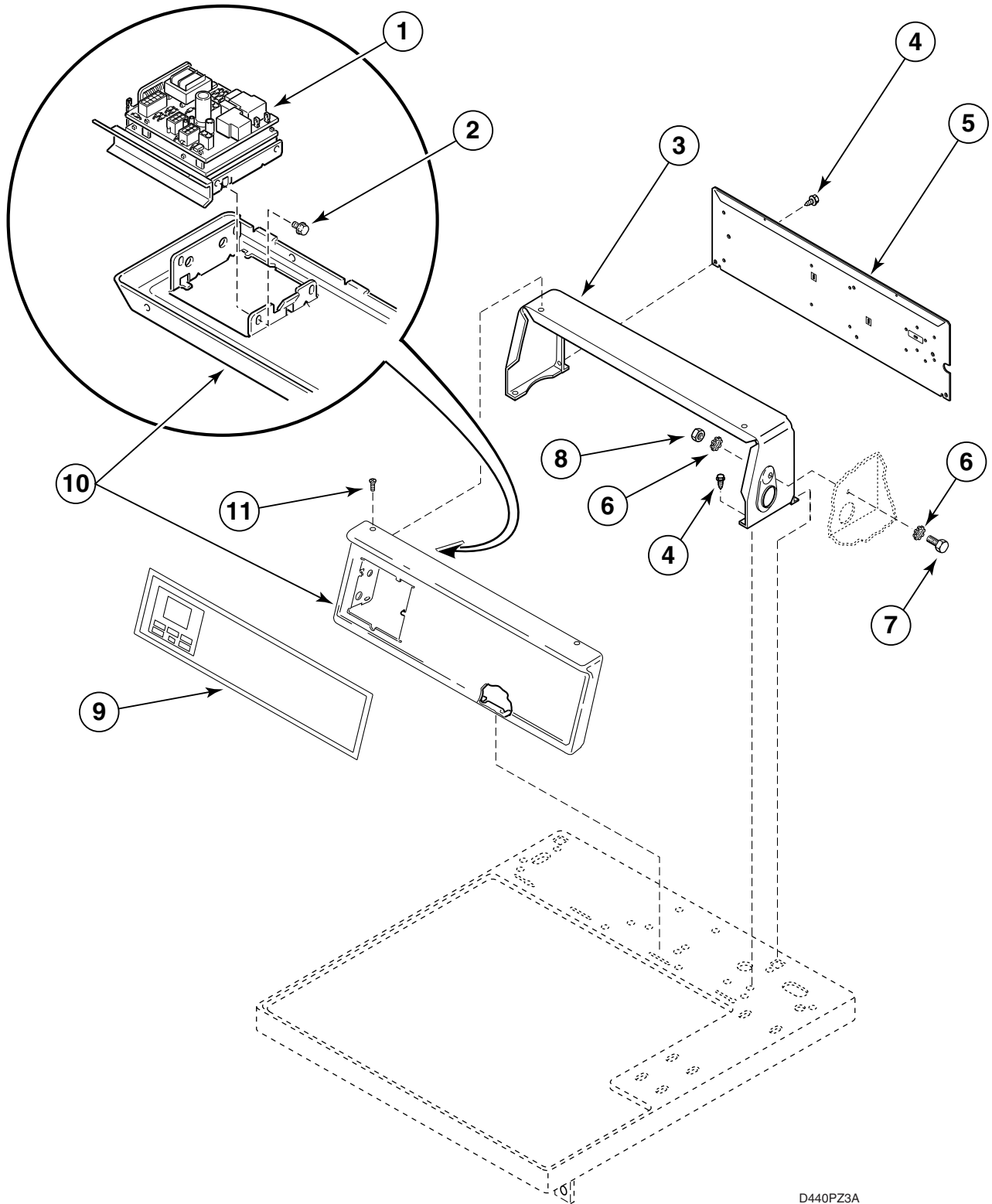
Models HDE007\*A1702, HDE007\*C1702, HDE007\*A3000, HDE007\*C3000, HDE007\*B3003, HDE007\*B3008, HDE007\*B3010, HDE107\*A1502, HDE107\*C1502, HDE107\*A1702, HDE107\*C1702, HDE107\*A3000, HDE107\*C3000, HDG107\*B3018, HDG009\*A1102, HDG009\*C1102, HDG009\*A3000, HDG009\*C3000, HDG009\*A3008, HDG009\*B3008, HDG109\*A1102, HDG109\*C1102, HDG109\*A3000, HDG109\*C3000, HDG109\*B3013, SDE007\*A3000, SDE007\*A4350, SDE007\*B3018, SDE107\*A1724, SDE107\*A3000, SDE107\*A4350, SDE107\*A5412, SDE107\*B3018, SDG009\*A3000, SDG009\*A3058, SDG109\*A1124, SDG109\*A3000, SDG109\*A3058, SDG109\*A5412 and SDG109\*B3013

REF	PART #	DESCRIPTION	COMMENTS
	281P4	Torx Bit	Use with 35528 Screw
	24161	Torx Bit Holder	Use with 35528 Screw
<b>1</b>	502567*	Control Hood	
<b>2</b>	501086	Screw	
<b>3</b>	505798	Control Hood Rear Cover	
<b>4</b>	02916	Cap Screw	
<b>5</b>	02431	Lockwasher	
<b>6</b>	55882	Push-to-Start Switch Assembly	
<b>7</b>	52947	Nut	
<b>8</b>	32464	Indicator Light	Models HDE007*A1702, HDE009*C1702, HDE107*A1502, HDE107*C1502, HDE107*A1702, HDE107*C1702, HDG009*A1102, HDG009*C1102, HDG109*A1102 and HDG109*C1102
	32519	Indicator Light	Models HDE007*A3000, HDE007*C3000, HDE107*A3000, HDE107*C3000, HDG009*A3000, HDG009*C3000, HDG009*A3008, HDG109*A3000, HDG109*C3000, SDE007*A3000, SDE007*A4350, SDE107*A1724, SDE107*A3000, SDE107*A4350, SDE107*A5412, SDG009*A3000, SDG009*A3058, SDG109*A1124, SDG109*A3000, SDG109*A3058 and SDG109*A5412
	38280	Indicator Light	Models HDE007*B3003, HDE007*B3008, HDE007*B3010, HDE107*B3018, SDE007*B3018 and SDE107*B3018
	36967	Indicator Light	Models HDG009*B3008, HDG109*B3013 and SDG109*B3013
<b>9</b>	505377	Graphic Overlay	Models HDE007*A1702, HDE007*A3000, HDE107*A1502, HDE107*A1702, HDE107*A3000, HDG009*A1102, HDG009*A3000, HDG109*A1102 and HDG109*A3000
	505497	Graphic Overlay	Model HDE007*B3003
	505496	Graphic Overlay	Models HDE007*B3008, HDE007*B3010, HDG009*A3008 and HDG009*B3008
	501094	Graphic Overlay	Models SDE107*A5412 and SDG109*A5412
	504115	Graphic Overlay	Models SDE007*B3018, SDE107*B3018 and SDG109*B3013
	504594	Graphic Overlay	Models SDE007*A3000, SDE007*A4350, SDE107*A3000, SDE107*A4350, SDG009*A3000, SDG009*A3058, SDG109*A3000 and SDG109*A3058
	505379	Graphic Overlay	Models HDE107*B3018 and HDG109*B3013
<b>10</b>	39897	Control Knob Assembly	
<b>11</b>	20310	Setscrew	
<b>12</b>	24205	Knurled Nut	
<b>13</b>	501738*	Control Panel and Bracket Assembly	
<b>14</b>	500226	Phillips Head Screw	
	35528	Torx Head Screw	Optional for added security
<b>15</b>	91176	Lockwasher	
<b>16</b>	61512	Temperature Selector Switch	
<b>17</b>	52566	Nut	

\* Add Letter To Designate Color. L - Almond W - White

# Control Panel, Control Hood and Controls

Models HDE507\*A1502, HDE507\*C1502, HDE507\*A1702, HDE507\*C1702, HDE607\*A1502, HDE607\*C1502, HDE607\*A1702, HDE607\*C1702, HDE707\*A1502, HDE707\*C1502, HDE707\*A1702, HDE707\*C1702, HDG509\*A1102, HDG509\*C1102, HDG609\*A1102, HDG709\*A1102, HDG709\*C1102, SDE407\*A3000, SDE407\*A4350, SDG409\*A3000 and SDG409\*A3058



D440PZ3A

\* Add Letter To Designate Color. L – Almond W – White

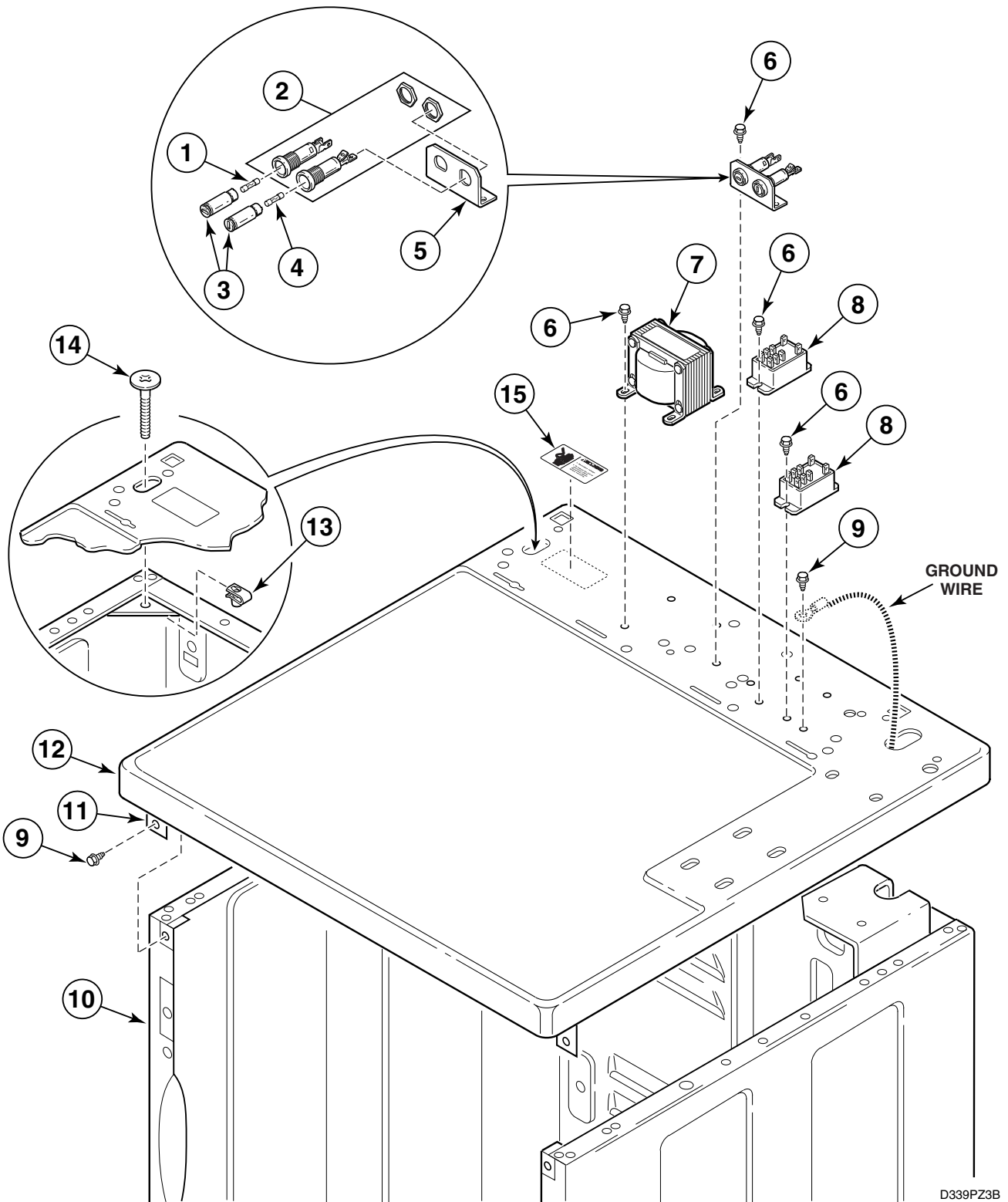
# Control Panel, Control Hood and Controls

Models HDE507\*A1502, HDE507\*C1502, HDE507\*A1702, HDE507\*C1702, HDE607\*A1502, HDE607\*C1502, HDE607\*A1702, HDE607\*C1702, HDE707\*A1502, HDE707\*C1502, HDE707\*A1702, HDE707\*C1702, HDG509\*A1102, HDG509\*C1102, HDG609\*A1102, HDG709\*A1102, HDG709\*C1102, SDE407\*A3000, SDE407\*A4350, SDG409\*A3000 and SDG409\*A3058

REF	PART #	DESCRIPTION	COMMENTS
1	M414050P	Control and Shield	120 Volt
	M411883P	Control and Shield	230 Volt
2	501524	Screw	
3	502567*	Control Hood	
4	501086	Screw	
5	505798	Control Hood Rear Cover	
6	02431	Lockwasher	
7	02916	Cap Screw	
8	52566	Nut	
9	504113	Graphic Overlay	Models SDE407*A3000, SDE407*A4350, SDG409*A3000 and SDG409*A3058
	505380	Graphic Overlay	All other models
10	501359*	Control Panel	
11	500226	Screw	

\* Add Letter To Designate Color. L - Almond W - White

# Cabinet Top



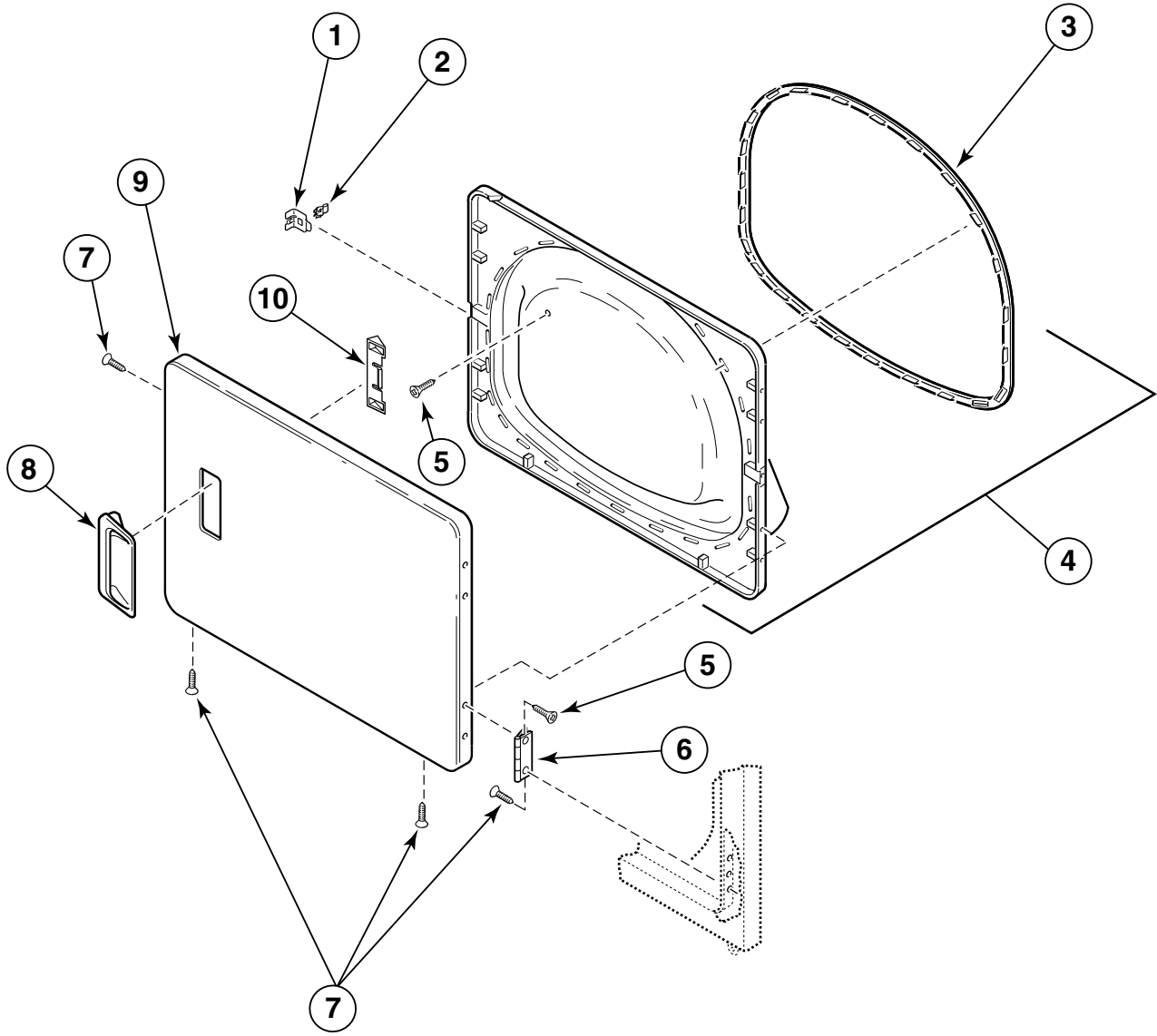
D339PZ3B

# Cabinet Top

REF	PART #	DESCRIPTION	COMMENTS
1	502593	Fuse	Primary 400 Milliamp Models HDG009*B3008, HDG109*B3013 and SDG109*B3013
2	502591	Fuse Holder Body	Models HDG009*B3008, HDG109*B3013 and SDG109*B3013
3	502811	Fuse Holder Cap	Models HDG009*B3008, HDG109*B3013 and SDG109*B3013
4	502592	Fuse	Secondary 3.15 Amp Models HDG009*B3008, HDG109*B3013 and SDG109*B3013
5	502589	Bracket	Models HDG009*B3008, HDG109*B3013 and SDG109*B3013
6	501086	Screw	Models HDG009*B3008, HDG109*B3013 and SDG109*B3013
7	M412477	Transformer	Models HDG009*B3008, HDG109*B3013 and SDG109*B3013
8	502501	Relay	Models HDG009*B3008, HDG109*B3013 and SDG109*B3013
9	503688	Screw	
10	727P3*	Dryer Panel Kit	
11	510146	Hold-Down Bracket	
12	510030*P	Cabinet Top	All Metered Models except HDG009*B3008
	510031*P	Cabinet Top	All Nonmetered Models except HDG109*B3013 and SDG109*B3013
	502570*	Cabinet Top	Models HDG009*B3008, HDG109*B3013 and SDG109*B3013
13	27222	Retainer Nut	Metered Models
14	503673	Screw	Optional for added security
15	500316	Label	Models HDE007*A1702, HDE007*C1702, HDE107*A1502, HDE107*C1502, HDE107*A1702, HDE107*C1702, HDE507*A1502, HDE507*C1502, HDE507*A1702, HDE507*C1702, HDE607*A1502, HDE607*C1502, HDE607*A1702, HDE607*C1702, HDE707*A1502, HDE707*C1502, HDE707*A1702, HDE707*C1702, HDG009*A1102, HDG009*C1102, HDG109*A1102, HDG109*C1102, HDG509*A1102, HDG509*C1102, HDG609*A1102, HDG709*A1102 and HDG709*C1102
	24903	Label	Models HDE007*A3000, HDE007*C3000, HDE107*A3000, HDE107*C3000, HDG009*A3000, HDG009*C3000, HDG009*A3008, HDG009*B3008, HDG109*A3000, HDG109*C3000, SDE007*A3000, SDE007*A4350, SDE107*A1724, SDE107*A3000, SDE107*A4350, SDE107*A5412, SDE407*A3000, SDE407*A4350, SDG009*A3000, SDG009*A3058, SDG109*A1124, SDG109*A3000, SDG109*A3058, SDG109*A5412, SDG409*A3000 and SDG409*A3058
	502511	Label	Models HDE007*B3003, HDE007*B3008, HDE007*B3010, HDE107*B3018, HDG109*B3013, SDE007*B3018, SDE107*B3018 and SDG109*B3013

\* Add Letter To Designate Color. L - Almond W - White

# Loading Door



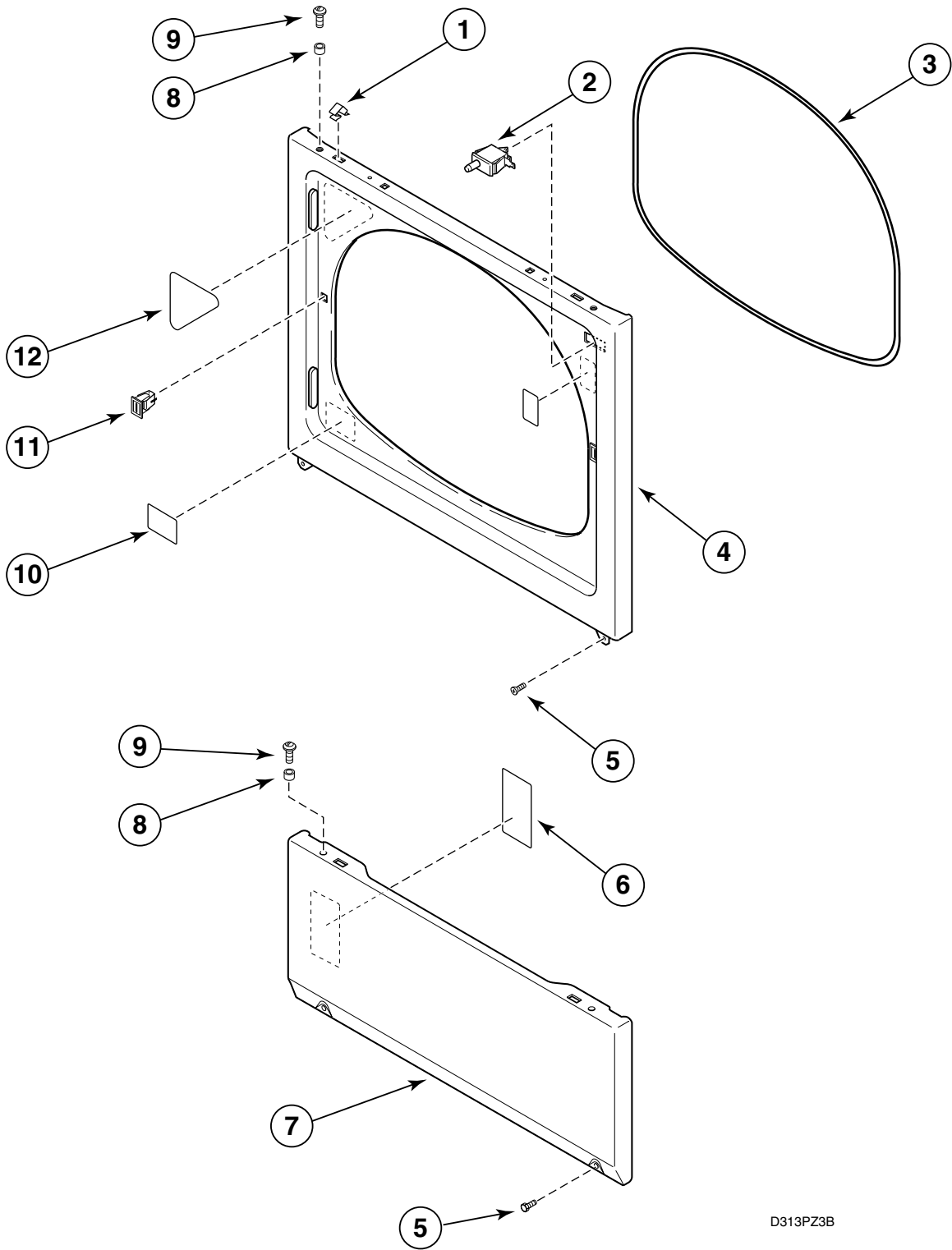
D343PZ3D

# Loading Door

REF	PART #	DESCRIPTION	COMMENTS
1	510127	Door Striker Bracket	
2	510181	Door Striker	
3	510147	Door Seal	
4	510163W	Inner Door Panel and Seal Assembly	Includes item 3
5	505295	Screw	
6	511036	Door Hinge	
7	500226	Screw	
8	510103*	Door Pull	Includes item 10
9	510013*	Outer Door Panel	
10	510129	Wedge	

\* Add Letter To Designate Color. L - Almond W - White

# Lower Access Panel, Front Panel and Seal



D313PZ3B



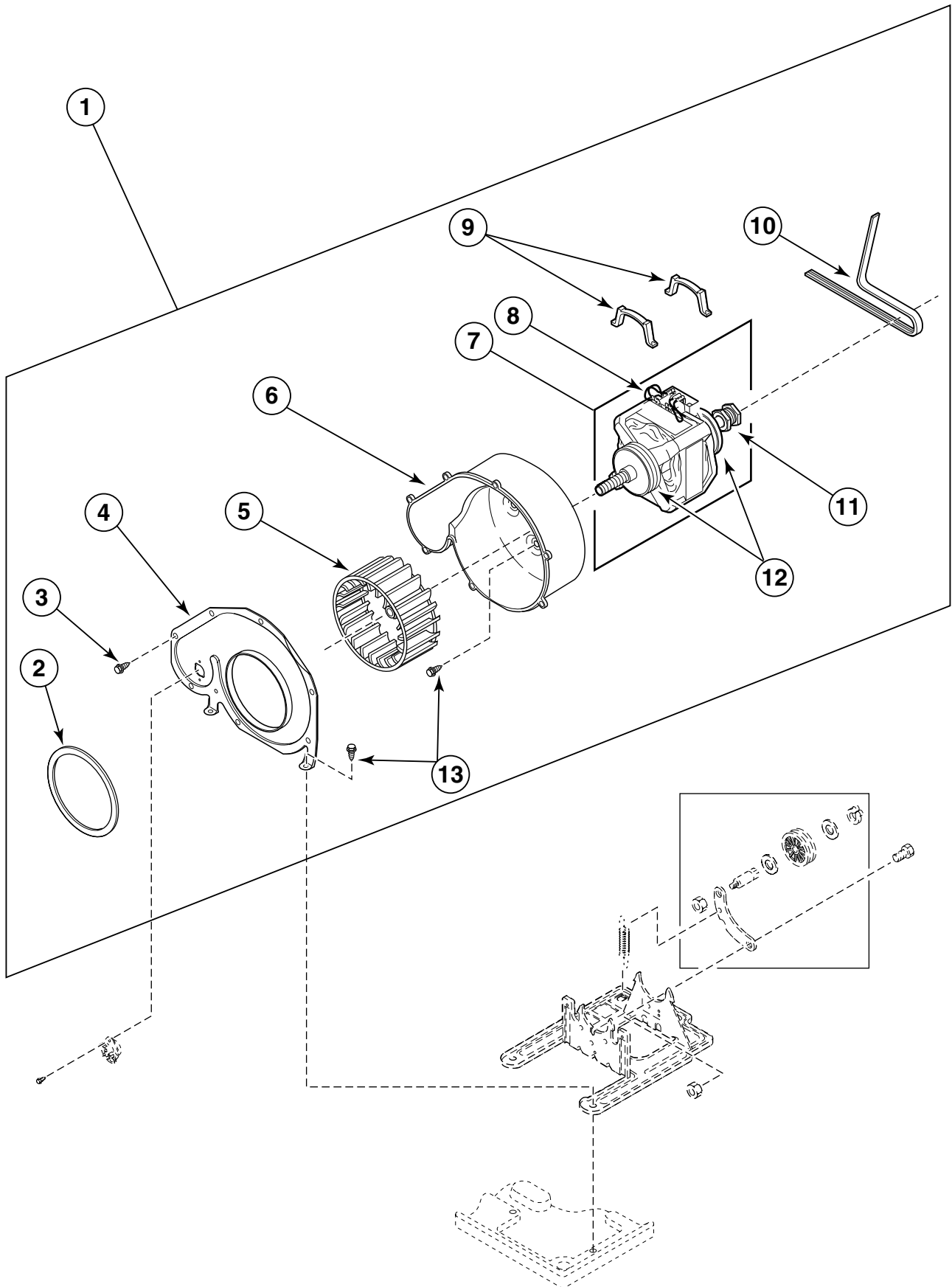
## Lower Access Panel, Front Panel and Seal

REF	PART #	DESCRIPTION	COMMENTS
	282P4	Torx Bit	Use with 62853 Screw
	24161	Torx Bit Holder	Use with 62853 Screw
<b>1</b>	28835	Hold-Down Clip	
<b>2</b>	504570	Door Switch	
<b>3</b>	510236	Front Panel Seal	
<b>4</b>	510066*	Front Panel	
<b>5</b>	503688	Screw	
	62853	Torx Head Screw	Optional for added security
<b>6</b>	511004	Label	Gas Models
<b>7</b>	510069*	Lower Access Panel	
<b>8</b>	56079	Locator	
<b>9</b>	32671	Screw	
<b>10</b>	502804	Label	All Models except HDE007*B3003, HDE007*B3008, HDE007*B3010, HDE107*B3018, HDG009*B3008, HDG109*B3013, SDE007*B3018, SDE107*A4350, SDE107*B3018, SDE407*A4350, SDG109*A3058, SDG109*B3013 and SDG409*A3058
<b>11</b>	510177	Door Catch	
<b>12</b>	500281	Label	Models HDE007*A3000, HDE007*C3000, HDE007*B3003, HDE007*B3008, HDE007*B3010, HDE107*A3000, HDE107*C3000, HDE107*B3018, HDG009*A3000, HDG009*C3000, HDG009*A3008, HDG009*B3008, HDG109*A3000, HDG109*B3013, SDE007*A3000, SDE007*A4350, SDE007*B3018, SDE107*A1724, SDE107*A3000, SDE107*A4350, SDE107*A5412, SDE107*B3018, SDE407*A3000, SDE407*A4350, SDG009*A3000, SDG009*A3058, SDG109*A1124, SDG109*A3000, SDG109*A3058, SDG109*A5412, SDG109*B3013, SDG409*A3000 and SDG409*A3058
	500253	Label	Models HDE007*A1702, HDE007*C1702, HDE107*A1502, HDE107*C1502, HDE107*A1702, HDE107*C1702, HDE507*A1502, HDE507*C1502, HDE507*A1702, HDE507*C1702, HDE607*A1502, HDE607*C1502, HDE607*A1702, HDE607*C1702, HDE707*A1502, HDE707*C1502, HDE707*A1702, HDE707*C1702, HDG009*A1102, HDG009*C1102, HDG109*A1102, HDG109*C1102, HDG509*A1102, HDG509*C1102, HDG609*A1102, HDG709*A1102 and HDG709*C1102

\* Add Letter To Designate Color. L - Almond W - White

# Motor, Exhaust Fan and Belt (Sheet 1 of 2)

Old Style



D320PZ3C

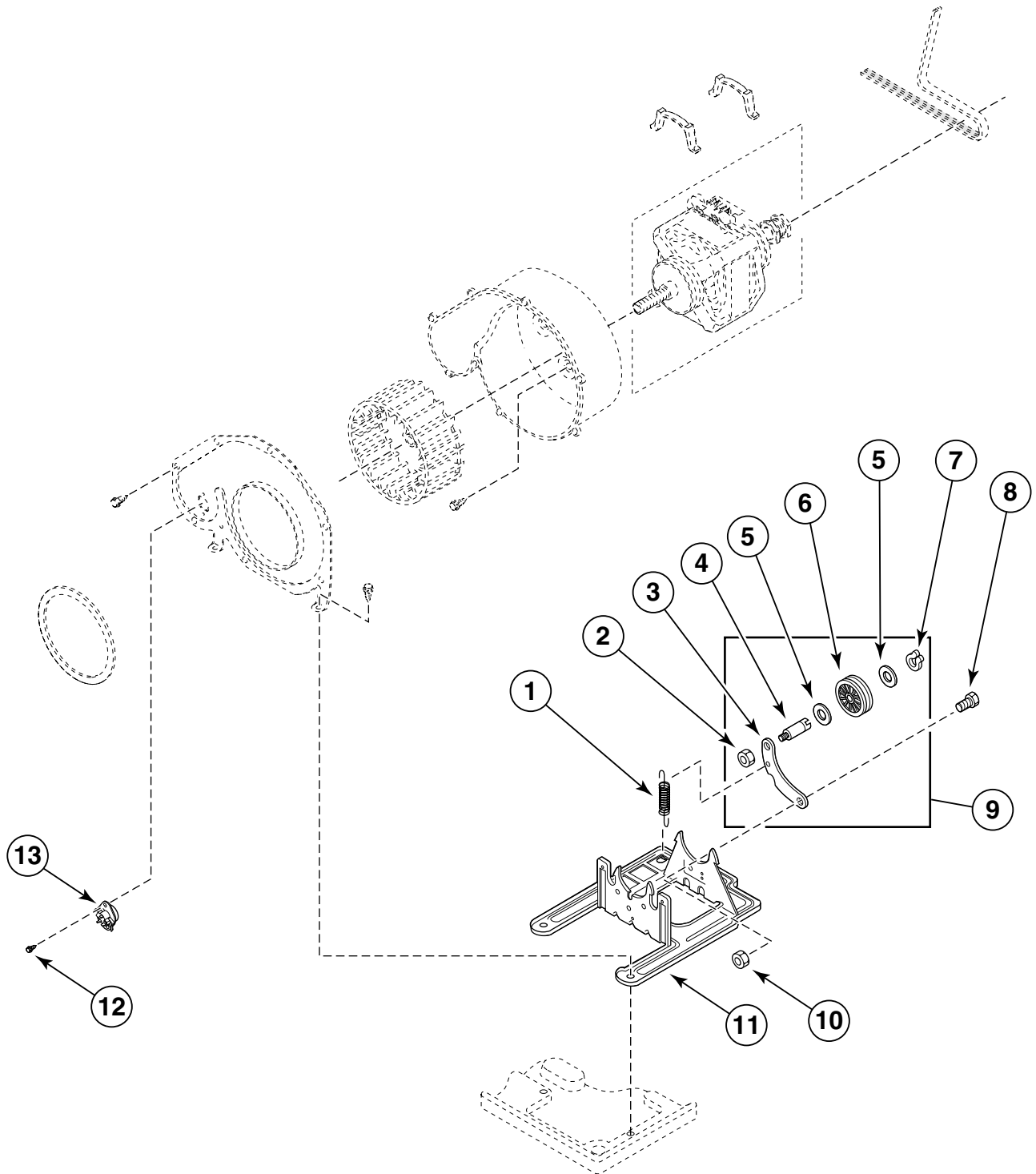
# Motor, Exhaust Fan and Belt (Sheet 1 of 2)

Old Style

REF	PART #	DESCRIPTION	COMMENTS
1	510717P	Blower and Motor Assembly Kit	Refer to pages 30 and 31 for new style components
2	510238	Seal	
3	31260	Screw	
4	500078	Exhaust Fan Cover	1 Thermostat Hole
5	510139	Exhaust Fan Impeller	
6	510138P	Blower Housing	
7	510508P	Motor Assembly	Models HDE007*A1702, HDE007*C1702, HDE007*F1702, HDE107*A1502, HDE107*C1502, HDE107*A1702, HDE107*C1702, HDE507*A1502, HDE507*C1502, HDE507*F1502, HDE507*A1702, HDE507*C1702, HDE607*A1502, HDE607*C1502, HDE607*A1702, HDE607*C1702, HDE707*A1502, HDE707*C1502, HDE707*F1502, HDE707*A1702, HDE707*C1702, HDG009*A1102, HDG009*C1102, HDG009*F, HDG109*A1102, HDG109*C1102, HDG509*A1102, HDG509*C1102, HDG509*F1102, HDG609*A1102, HDG709*A1102 and HDG709*C1102
	505843P	Motor Assembly	Models HDE007*A3000, HDE007*C3000, HDE007*B3003, HDE007*B3008, HDE007*B3010, HDE107*A3000, HDE107*C3000, HDE107*B3018, HDG009*A3000, HDG009*C3000, HDG009*A3008, HDG009*B3008, HDG109*A3000, HDG109*C3000, HDG109*B3013, SDE007*A3000, SDE007*A4350, SDE007*B3018, SDE107*A1724, SDE107*A3000, SDE107*A4350, SDE107*B3018, SDE407*A3000, SDE407*A4350, SDG009*A3000, SDG009*A3058, SDG109*A1124, SDG109*A3000, SDG109*A3058, SDG109*B3013, SDG409*A3000 and SDG409*A3058
	501213P	Motor Assembly	Models SDE107*A5412 and SDG109*A5412
8	501218P	Motor Switch	Does not include thermal protector
9	510180	Motor Mounting Clamp	
10	510178	Belt	
11	500011	Motor Pulley	Models HDE007*A1702, HDE007*C1702, HDE007*F1702, HDE107*A1502, HDE107*C1502, HDE107*A1702, HDE107*C1702, HDE507*A1502, HDE507*F1502, HDE507*C1702, HDE507*A1702, HDE507*C1702, HDE607*A1502, HDE607*C1502, HDE607*A1702, HDE607*C1702, HDE707*A1502, HDE707*C1502, HDE707*F1502, HDE707*A1702, HDE707*C1702, HDG009*A1102, HDG009*C1102, HDG009*F, HDG109*A1102, HDG109*C1102, HDG509*A1102, HDG509*C1102, HDG509*F1102, HDG609*A1102, HDG709*A1102, HDG709*C1102, SDE107*A5412 and SDG109*A5412
	500222	Motor Pulley	Models HDE007*A3000, HDE007*C3000, HDE007*B3003, HDE007*B3008, HDE007*B3010, HDE107*A3000, HDE107*C3000, HDE107*B3018, HDG009*A3000, HDG009*C3000, HDG009*A3008, HDG009*B3008, HDG109*A3000, HDG109*C3000, HDG109*B3013, SDE007*A3000, SDE007*A4350, SDE007*B3018, SDE107*A1724, SDE107*A3000, SDE107*A4350, SDE107*B3018, SDE407*A3000, SDE407*A4350, SDG009*A3000, SDG009*A3058, SDG109*A1124, SDG109*A3000, SDG109*A3058, SDG109*B3013, SDG409*A3000 and SDG409*A3058
12	590P3	Motor Hub Ring Kit	
13	503688	Screw	

# Motor, Exhaust Fan and Belt (Sheet 2 of 2)

Old Style



D320PZ3D

# Motor, Exhaust Fan and Belt (Sheet 2 of 2)

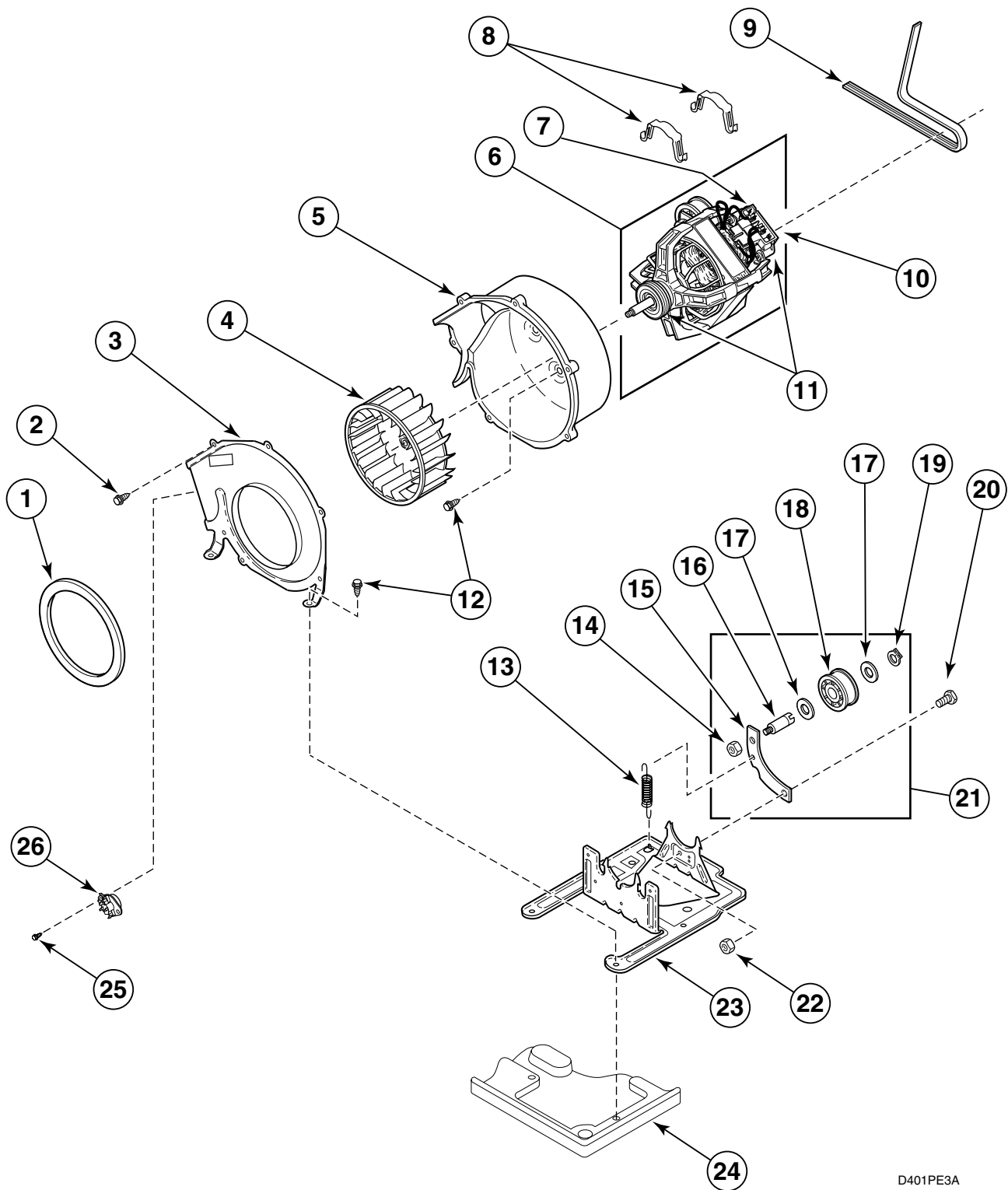
Old Style

REF	PART #	DESCRIPTION	COMMENTS
1	510185	Spring	
2	56156	Locknut	
3	510133	Idler Lever	
4	56461	Shaft	
5	52549	Washer	
6	510142	Idler Pulley	
7	23748	Retainer Ring	
8	500824	Shoulder Screw	
9	510158	Idler Pulley And Lever Assembly	
10	52566	Locknut	
11	510060	Motor Mounting Bracket	
12	33561	Screw	
13	504515	Thermostat	Models HDE007*A1702, HDE007*C1702, HDE107*A1502, HDE107*C1502, HDE107*A1702, HDE107*C1702, HDG009*A1102, HDG009*C1102, HDG109*A1102 and HDG109*C1102
	504516	Thermostat	Models HDE007*A3000, HDE007*C3000, HDE007*B3003, HDE007*B3008, HDE007*B3010, HDE107*A3000, HDE107*C3000, HDE107*B3018, HDG009*A3000, HDG009*C3000, HDG009*A3008, HDG109*A3000, HDG109*C3000, SDE007*A3000, SDE007*A4350, SDE007*B3018, SDE107*A1724, SDE107*A3000, SDE107*A4350, SDE107*A5412, SDE107*B3018, SDG009*A3000, SDG009*A3058, SDG109*A1724, SDG109*A3000, SDG109*A3058 and SDG109*A5412
	504517	Thermostat	Models HDG009*B3008, HDG109*B3013 and SDG109*B3013
	510522	Thermistor	Models HDE507*A1502, HDE507*C1502, HDE507*A1702, HDE507*C1702, HDE607*A1502, HDE607*C1502, HDE607*A1702, HDE607*C1702, HDE707*A1502, HDE707*C1502, HDE707*A1702, HDE707*C1702, HDG509*A1102, HDG509*C1102, HDG609*A1102, HDG709*A1102 and HDG709*C1102
	M411758	Thermistor	Models SDE407*A3000, SDE407*A4350, SDG409*A3000 and SDG409*A3058

\* Add Letter To Designate Color. L - Almond W - White

# Motor, Exhaust Fan and Belt

New Style



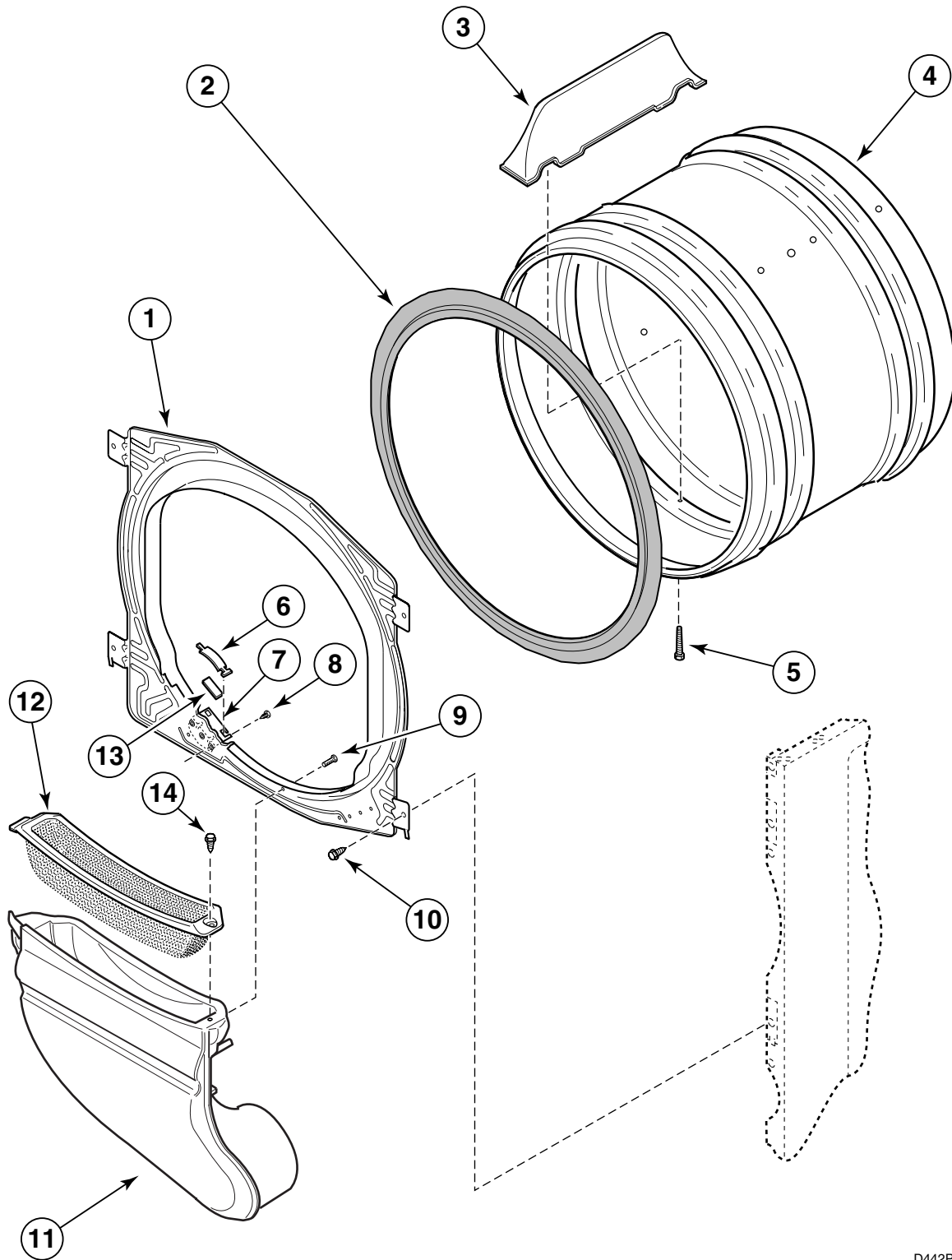
D401PE3A

# Motor, Exhaust Fan and Belt

New Style

REF	PART #	DESCRIPTION	COMMENTS
	510717P	Motor and Blower Assembly	Includes Items 1 through 8 and 10 through 23
1	510238	Seal	
2	31260	Screw	
3	510140	Exhaust Fan Cover	1 Thermostat hole
	510141	Exhaust Fan Cover	2 Thermostat holes
4	510139	Exhaust Fan Impeller	
5	510138	Exhaust Fan Housing	
6	510508P	Motor Assembly	120 Volt, 60 Hertz, Includes items 7 and 10
	505843P	Motor Assembly	240 Volt, 50 Hertz, Includes items 7 and 10
	501213P	Motor Assembly	240 Volt, 60 Hertz, Includes items 7 and 10
7	501218P	Motor Switch	Does not include thermal protector
8	510180	Motor Mounting Clamp	
9	510178	Belt	
10	500011	Motor Pulley	60 Hertz
	500222	Motor Pulley	50 Hertz
11	590P3	Motor Hub Ring Kit	
12	503688	Screw	
13	510185	Spring	
14	56156	Locknut	
15	510133	Idler Lever	
16	56461	Shaft	
17	52549	Washer	
18	510142	Idler Pulley	
19	23748	Retainer Ring	
20	500824	Shoulder Bolt	
21	510158	Idler Pulley and Lever Assembly	
22	52566	Locknut	
23	510060	Motor Mounting Bracket	
24	510084	Base	
25	33561	Screw	
26	504515	Thermostat	Electromechanical Models; color coded Green
	504516	Thermostat	Electromechanical Models; color coded Tan/White
	504517	Thermostat	Electromechanical Models; color coded Red
	504518	Thermostat	Electromechanical Models; color coded White
	504519	Thermostat	Electromechanical Models; color coded Violet/White
	504520	Thermostat	Models with suffix 4562; color coded Pink
	504521	Thermostat	Models with suffix 4562; color coded Yellow/White
	510522	Thermistor	Electronic Control Models

# Front Bulkhead, Air Duct, Felt Seal and Cylinder



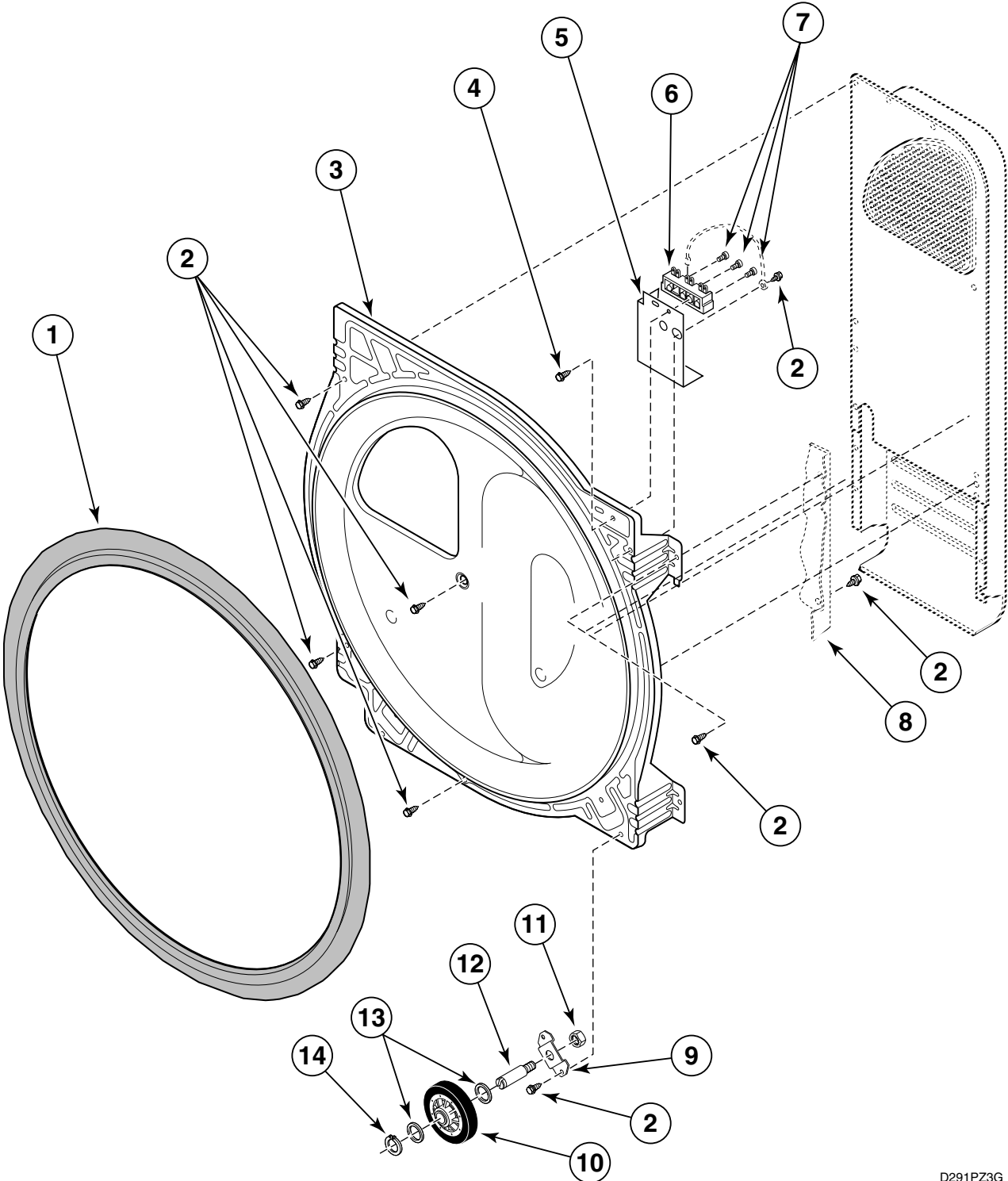
D442PZ3A



## Front Bulkhead, Air Duct, Felt Seal and Cylinder

REF	PART #	DESCRIPTION	COMMENTS
	22506P	Adhesive for Cylinder Seal	
	510502	Lint Filter Cover	Optional on Coin
<b>1</b>	510266	Front Bulkhead	Includes item 2
<b>2</b>	510207P	Cylinder Seal	
<b>3</b>	503703	Baffle	
<b>4</b>	510265	Cylinder Assembly	Includes items 3 and 5
<b>5</b>	62588	Screw	
<b>6</b>	510187	Cylinder Glide	(2) per side
<b>7</b>	510145	Glide Bracket	
<b>8</b>	501086	Rivet	
<b>9</b>	505295	Screw	
<b>10</b>	503688	Screw	
<b>11</b>	510151	Air Duct Assembly	
<b>12</b>	503980	Lint Filter	
<b>13</b>	500121	Felt Pad	
<b>14</b>	501285	Screw	

# Rear Bulkhead, Felt Seal, Cylinder Roller and Terminal Block



D291PZ3G

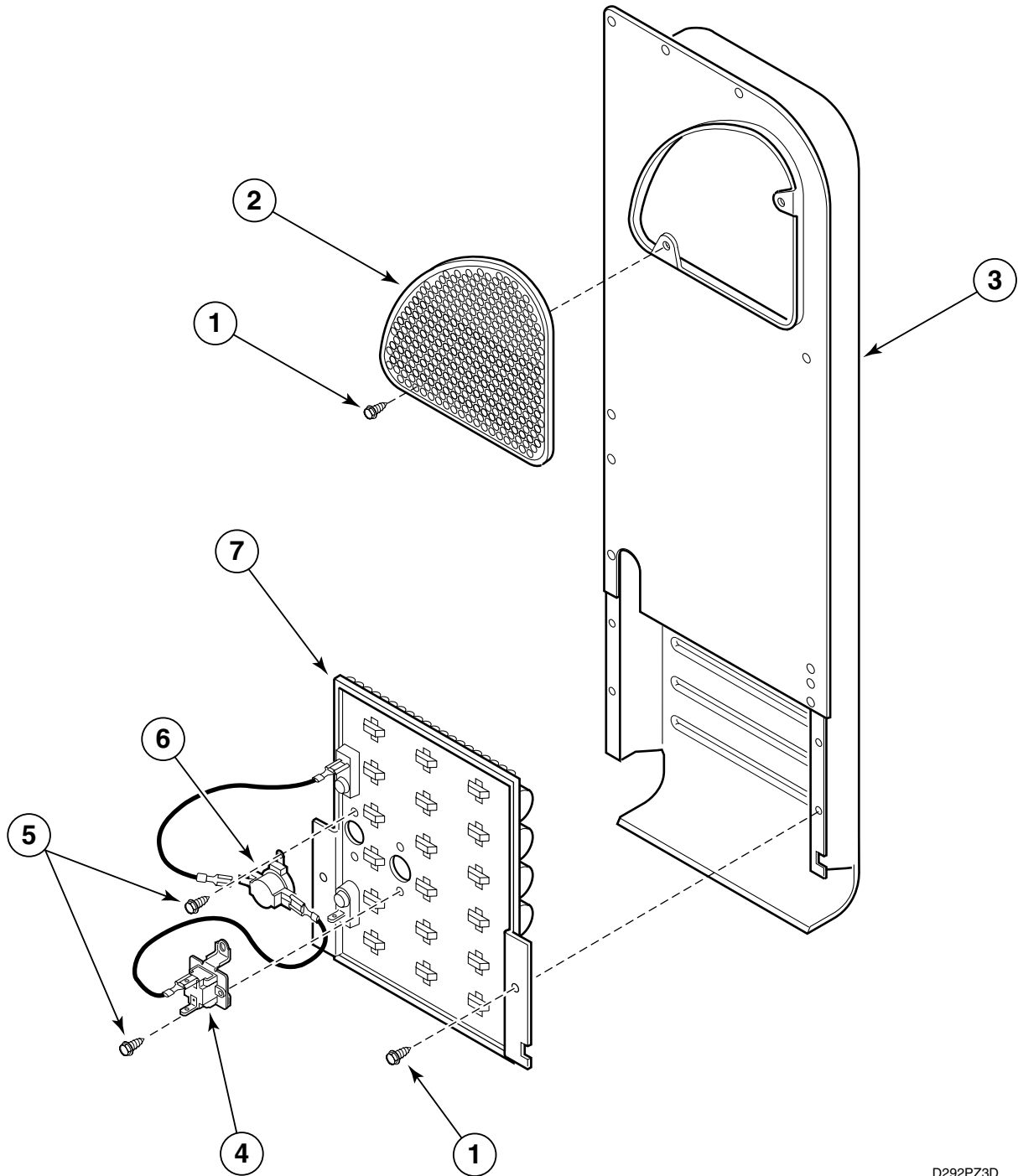
# Rear Bulkhead, Felt Seal, Cylinder Roller and Terminal Block

REF	PART #	DESCRIPTION	COMMENTS
	22506P	Adhesive for Cylinder Seal	
1	510207	Cylinder Seal	
2	503688	Screw	
3	511082	Rear Bulkhead	Includes Item 1
4	501285	Screw	
5	510237	Shield	All other models
	505768	Shield	All models with "B" as the 8 <sup>th</sup> character
6	510190P	Terminal Block	Includes item 7; All models except HDG009*A1102, HDG009*C1102, HDG109*A1102, HDG109*C1102, HDG509*A1102, HDG609*A1102, HDG709*A1102 and SDG109*B3013
	502517	Terminal Block	Models HDG009*B3008, HDG109*B3013 and SDG109*B3013
7	61199	Screw	
8	727P3*	Dryer Panel Kit	
9	510100	Roller Bracket	
10	510708P	Cylinder Roller	
11	56156	Locknut	
12	56461	Shaft	
13	52549	Washer	
14	23748	Retainer Ring	

\* Add Letter To Designate Color. L - Almond W - White

# Heater Duct and Element Assembly

Electric Model Dryers



D292PZ3D

# Heater Duct and Element Assembly

Electric Model Dryers

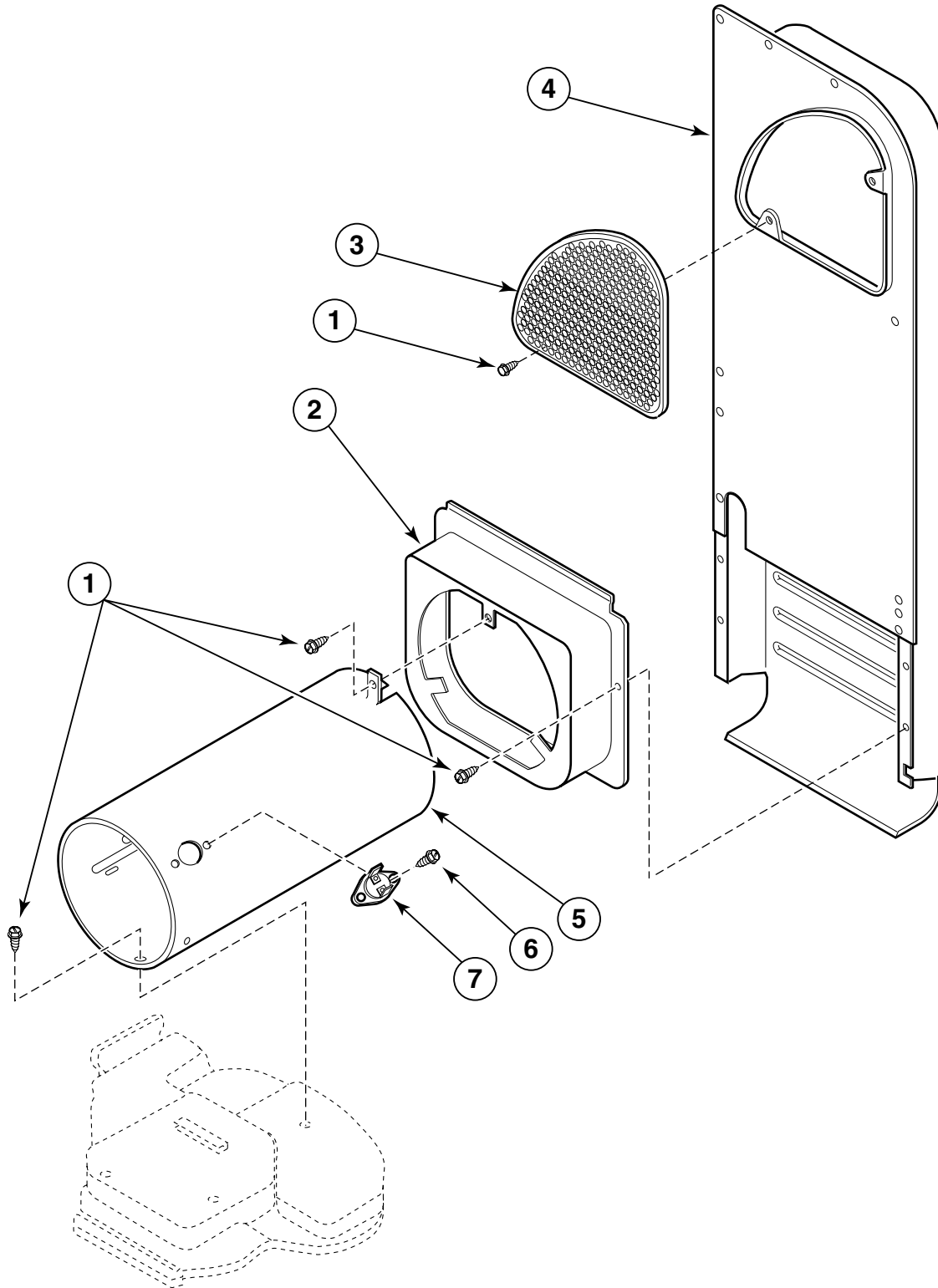
REF	PART #	DESCRIPTION	COMMENTS
1	503688	Screw	
2	500820	Outlet Cover	
3	510025P	Heater Duct Assembly	Includes Part No. 500820 Outlet Cover
4	510183	Thermal Fuse	
5	23222	Screw	
6	510701	Limit Thermostat	
7	510324	Heater Assembly	240 Volt/5 kw/60 Hertz; Models HDE007*A1702, HDE007*C1702, HDE107*A1702, HDE107*C1702, HDE507*A1702, HDE507*C1702, HDE607*A1702, HDE607*C1702, HDE707*A1702, HDE707*C1702 and SDE107*A5412
	510330	Heater Assembly	208 Volt/4.25 kw/60 Hertz; Models HDE107*A1502, HDE107*C1502, HDE507*A1502, HDE507*C1502, HDE607*A1502, HDE607*C1502, HDE707*A1502 and HDE707*C1502
	510326	Heater Assembly	240 Volt/4.25 kw/60 Hertz; Models HDE007*A3000, HDE007*C3000, HDE007*B3003, HDE007*B3008, HDE007*B3010, HDE107*A3000, HDE107*C3000, HDE107*B3018, SDE007*A3000, SDE007*B3018, SDE107*C1724, SDE107*A3000, SDE107*B3018 and SDE407*A3000
	510327	Heater Assembly	240 Volt/4 kw/50 Hertz; Models SDE007*A4350, SDE107*A4350 and SDE407*A4350

\* Add Letter To Designate Color. L - Almond W - White

# Heater Duct Assembly

Gas Model Dryers

Models HDG009\*A1102, HDG009\*C1102, HDG009\*A3000, HDG009\*C3000, HDG009\*A3008, HDG009\*B3008, HDG109\*A1102, HDG109\*C1102, HDG109\*A3000, HDG109\*C3000, HDG109\*B3013, HDG509\*A1102, HDG509\*C1102, HDG609\*A1102, HDG709\*A1102, HDG709\*C1102, SDG009\*A3000, SDG109\*A1124, SDG109\*A3000, SDG109\*A5412, SDG109\*B3013 and SDG409\*A3000



D315PZ3B

\* Add Letter To Designate Color. L – Almond W – White

# Heater Duct Assembly

Gas Model Dryers

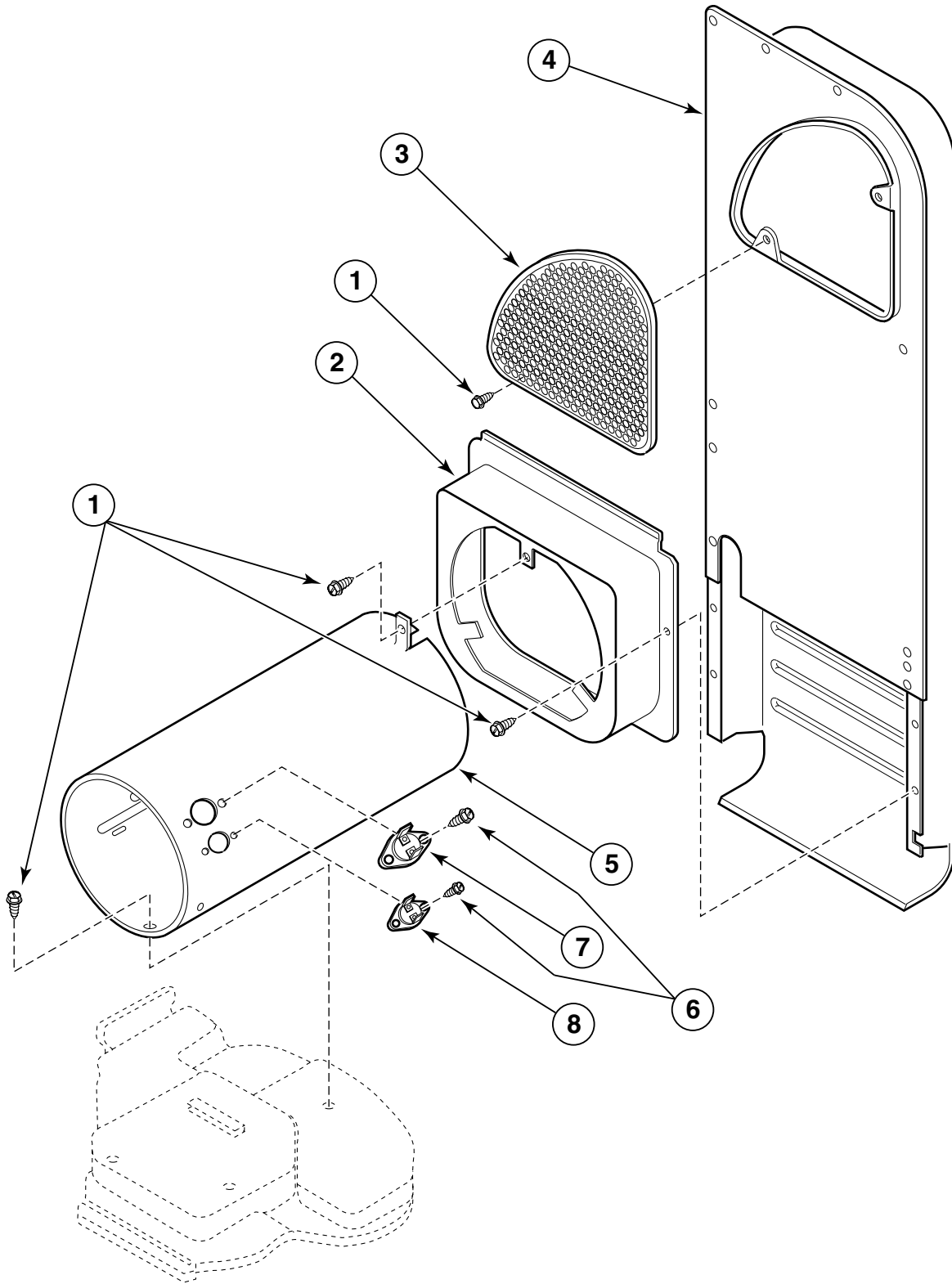
Models HDG009\*A1102, HDG009\*C1102, HDG009\*A3000, HDG009\*C3000, HDG009\*A3008, HDG009\*B3008, HDG109\*A1102, HDG109\*C1102, HDG109\*A3000, HDG109\*C3000, HDG109\*B3013, HDG509\*A1102, HDG509\*C1102, HDG609\*A1102, HDG709\*A1102, HDG709\*C1102, SDG009\*A3000, SDG109\*A1124, SDG109\*A3000, SDG109\*A5412, SDG109\*B3013 and SDG409\*A3000

REF	PART #	DESCRIPTION	COMMENTS
1	503688	Screw	
2	510101	Heat Shroud	
3	500820	Outlet Cover	
4	510025P	Heater Duct Assembly	Includes Part No. 500820 Outlet Cover
5	510131	Combustion Duct	
6	51782	Screw	
7	510702	Limit Thermostat	Color Code "Black"

\* Add Letter To Designate Color. L - Almond W - White

# Heater Duct Assembly

Gas Models Dryers  
Models SDG009\*A3058, SDG109\*A3058 and SDG409\*A3058



D344PZ3B

\* Add Letter To Designate Color. L – Almond W – White



# Heater Duct Assembly

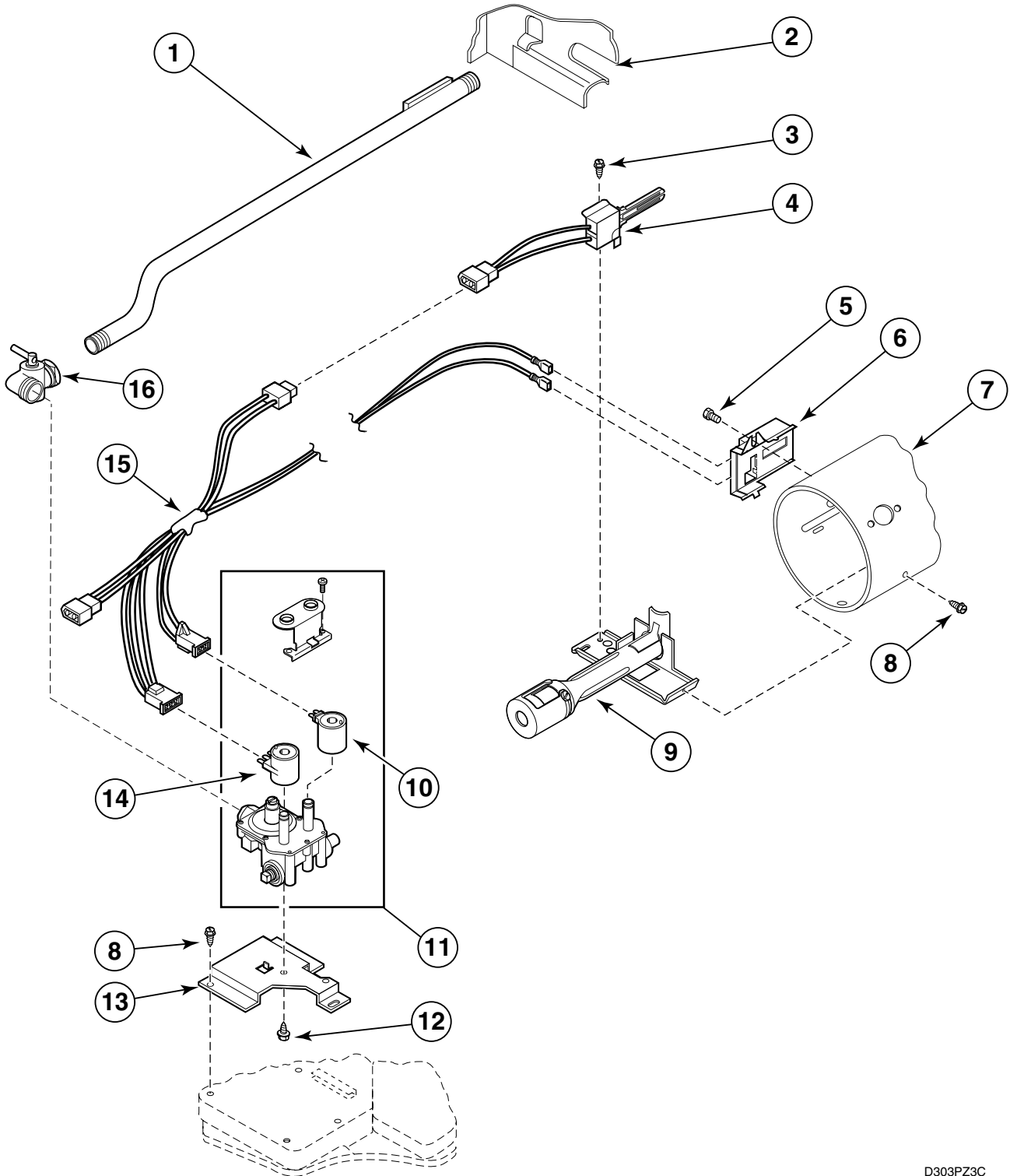
Gas Model Dryers  
Models SDG009\*A3058, SDG109\*A3058 and SDG409\*A3058

REF	PART #	DESCRIPTION	COMMENTS
1	503688	Screw	
2	510101	Heat Shroud	
3	500820	Outlet Cover	
4	510025P	Heater Duct Assembly	Includes item 3
5	510132	Combustion Duct	
6	51782	Screw	
7	510702	Limit Thermostat	Color Code "Black"
8	510703	Thermostat	Manual reset

\* Add Letter To Designate Color. L - Almond W - White

# Gas Valve, Igniter and Gas Conversion Kits

Models HDG009\*A1102, HDG009\*C1102, HDG009\*A3000, HDG009\*C3000, HDG009\*A3008, HDG109\*A1102, HDG109\*C1102, HDG109\*A3000, HDG109\*C3000, HDG509\*A1102, HDG509\*C1102, HDG609\*A1102, HDG709\*A1102, HDG709\*C1102, SDG009\*A3000, SDG109\*A1124, SDG109\*A3000, SDG109\*A5412 and SDG409\*A3000



D303PZ3C

\* Add Letter To Designate Color. L – Almond W – White

## Gas Valve, Igniter and Gas Conversion Kits

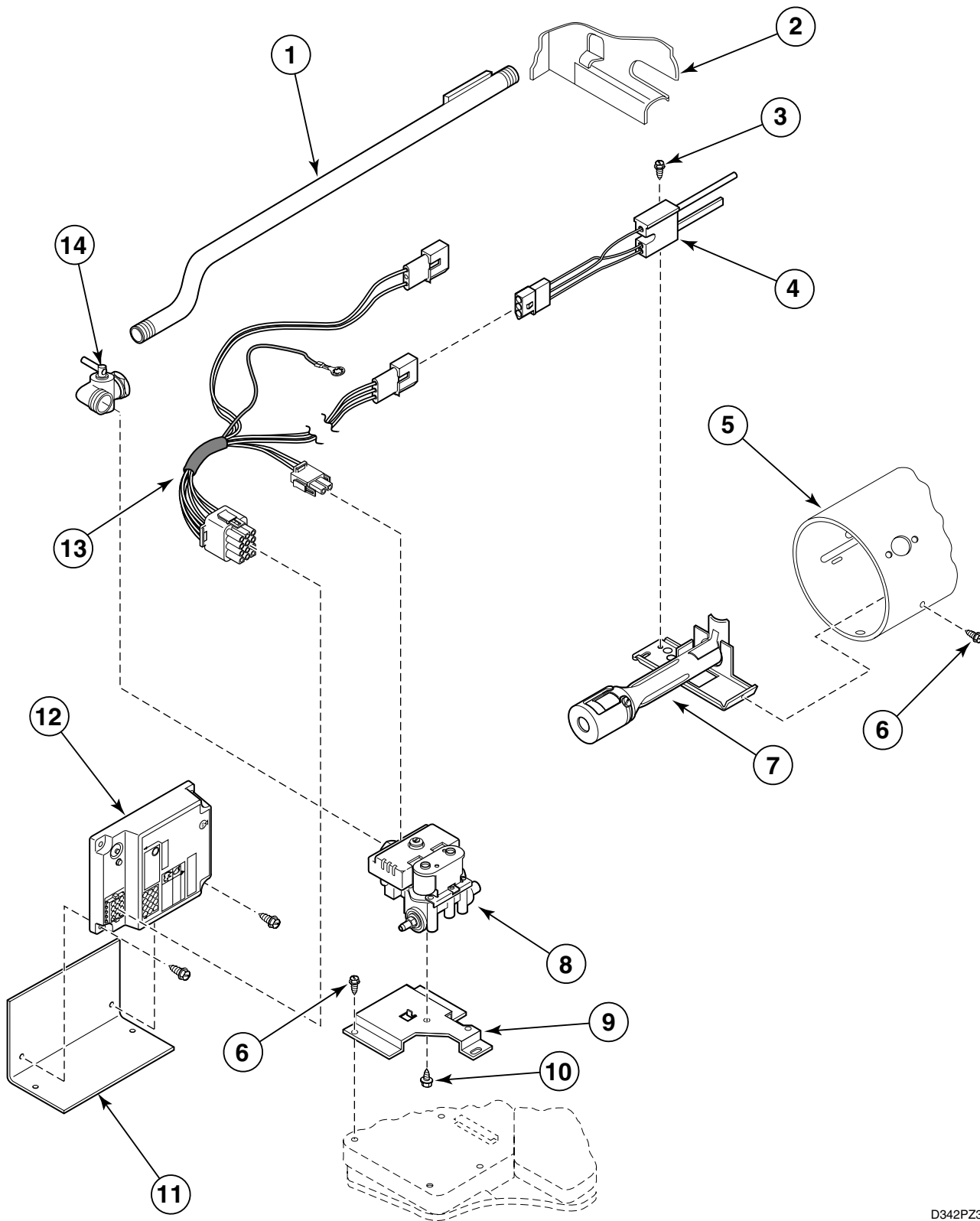
Models HDG009\*A1102, HDG009\*C1102, HDG009\*A3000, HDG009\*C3000, HDG009\*A3008, HDG109\*A1102, HDG109\*C1102, HDG109\*A3000, HDG109\*C3000, HDG509\*A1102, HDG509\*C1102, HDG609\*A1102, HDG709\*A1102, HDG709\*C1102, SDG009\*A3000, SDG109\*A1124, SDG109\*A3000, SDG109\*A5412 and SDG409\*A3000

REF	PART #	DESCRIPTION	COMMENTS
	458P3	Gas Burner Conversion Kit	Used to convert dryers from Natural/Mixed to LP Gas
	459P3	Gas Burner Conversion Kit	Used to convert dryers from LP to Natural/Mixed Gas
<b>1</b>	510204	Lead-In Pipe Assembly	
<b>2</b>	727P3*	Dryer Panel Kit	
<b>3</b>	51782	Screw	
<b>4</b>	510184P	Igniter and Bracket Assembly	
<b>5</b>	23222	Screw	
<b>6</b>	510213	Sensor	
<b>7</b>	510131	Combustion Duct	
<b>8</b>	503688	Screw	
<b>9</b>	510149	Burner Assembly	
<b>10</b>	58804B	Secondary Coil	60 Hertz; Model SDG109*A5412
	59063B	Secondary Coil	50 Hertz
<b>11</b>	60353	Gas Valve Assembly	60 Hertz; Models HDG009*A1102, HDG009*C1102, HDG109*A1102, HDG109*C1102, HDG509*A1102, HDG509*C1102, HDG609*A1102, HDG709*A1102 and HDG709*C1102
	60443	Gas Valve Assembly	50 Hertz; Models HDG009*A3000, HDG009*C3000, HDG009*A3008, HDG109*A3000, HDG109*C3000, SDG009*A3000, SDG109*A1124, SDG109*A3000 and SDG409*A3000
	58804	Gas Valve Assembly	60 Hertz; Model SDG109*A5412
<b>12</b>	56124	Screw	
<b>13</b>	510128	Mounting Bracket	
<b>14</b>	58804A	Holding and Booster Coil	60 Hertz; Model SDG109*A5412
	59063A	Holding and Booster Coil	50 Hertz
<b>15</b>	510530	Wire Harness	
<b>16</b>	510205	Shut-Off Valve	

\* Add Letter To Designate Color. L - Almond W - White

# Gas Valve, Igniter and Gas Conversion Kits

Models HDG009\*B3008, HDG109\*B3013, SDG009\*A3058, SDG109\*A3058, SDG109\*B3013 and SDG409\*A3058



D342PZ3B

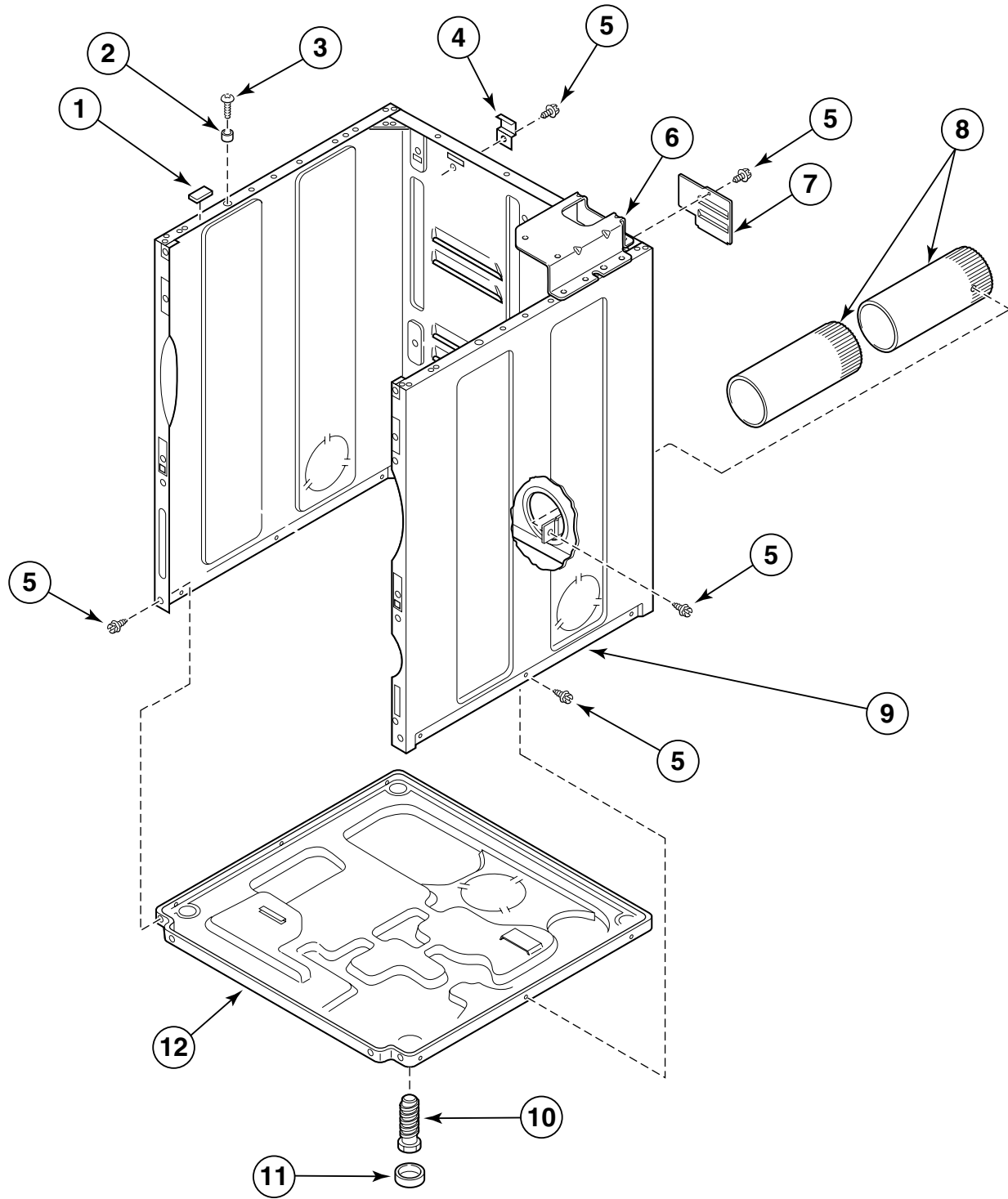
## Gas Valve, Igniter and Gas Conversion Kits

Models HDG009\*B3008, HDG109\*B3013, SDG009\*A3058, SDG109\*A3058, SDG109\*B3013 and SDG409\*A3058

REF	PART #	DESCRIPTION	COMMENTS
	458P3	Gas Burner Conversion Kit	Used to convert dryers from Natural/Mixed to LP Gas Models SDG009*A3058, SDG109*A3058 and SDG409*A3058
	459P3	Gas Burner Conversion Kit	Used to convert dryers from LP to Natural/Mixed Gas Models SDG009*A3058, SDG109*A3058 and SDG409*A3058
	600P3	Gas Burner Conversion Kit	Used to convert dryers from Natural/Mixed to LP Gas Models HDG009*B3008, HDG109*B3013 and SDG109*B3013
<b>1</b>	510204	Lead-In Pipe Assembly	
<b>2</b>	727P3*	Dryer Panel Kit	
<b>3</b>	51782	Screw	
<b>4</b>	502995	Igniter and Sensor Assembly	
<b>5</b>	510132	Combustion Duct	Models SDG009*A3058, SDG109*A3058 and SDG409*A3058
	510131	Combustion Duct	Models HDG009*B3008, HDG109*B3013 and SDG109*B3013
<b>6</b>	503688	Screw	
<b>7</b>	510149	Burner Assembly	
<b>8</b>	502478	Gas Valve Assembly	
<b>9</b>	510128	Mounting Bracket	
<b>10</b>	56124	Screw	
<b>11</b>	502425	Bracket	
<b>12</b>	502994	Ignition Control	
<b>13</b>	502609	Wire Harness	
<b>14</b>	510205	Shut-Off Valve	

\* Add Letter To Designate Color. L - Almond W - White

# Cabinet, Exhaust Duct and Base



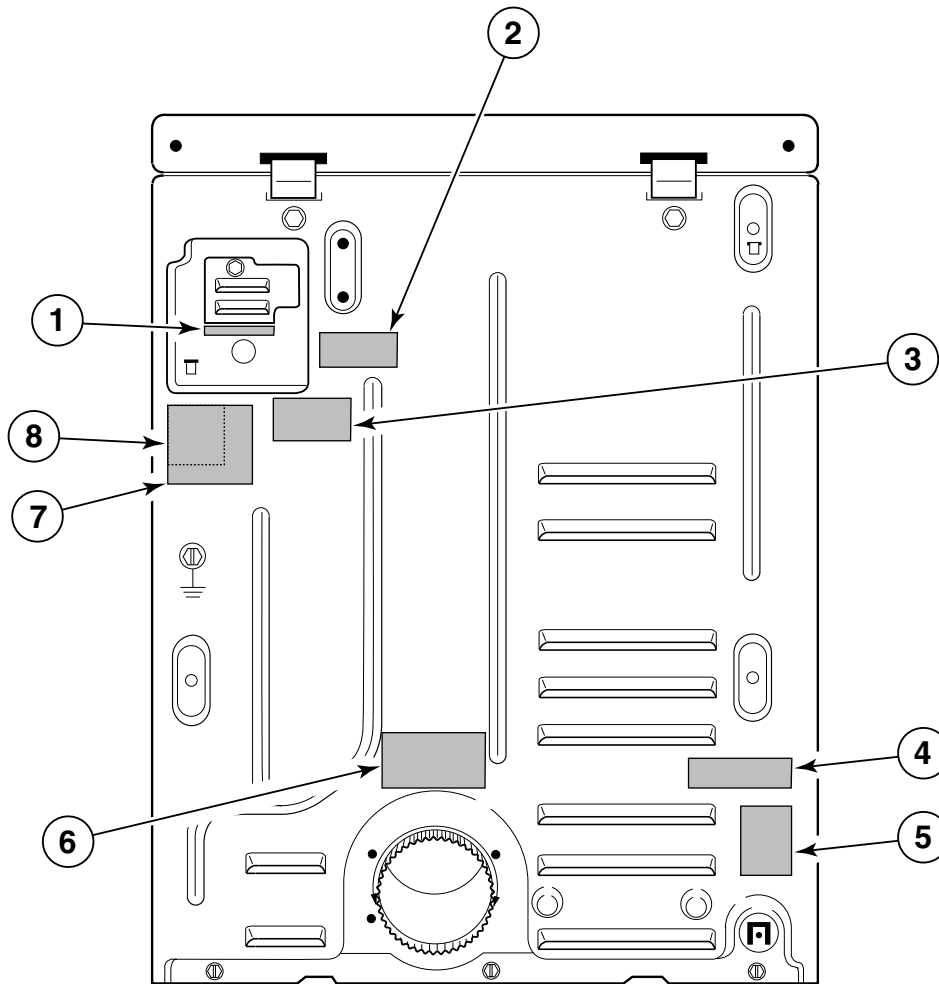
D337PZ3C

## Cabinet, Exhaust Duct and Base

REF	PART #	DESCRIPTION	COMMENTS
	521P3	Flexible Venting Kit	
	528P3	Directional Exhaust Kit	Used to vent dryer out the sides or bottom
<b>1</b>	56128	Bumper	
<b>2</b>	56079	Locator	
<b>3</b>	32671	Screw	
<b>4</b>	510136	Top Hinge	
<b>5</b>	503688	Screw	
<b>6</b>	503456	Bracket	Metered Models
<b>7</b>	510903	Access Cover Plate	
<b>8</b>	510137	Exhaust Duct	Each dryer requires (2) pieces
<b>9</b>	727P3*	Dryer Panel Kit	
<b>10</b>	510135	Leveling Leg	
<b>11</b>	501855	Rubber Foot	
<b>12</b>	510084	Base	

\* Add Letter To Designate Color. L - Almond W - White

# Label Location on Rear of Cabinet



D338PZ3A

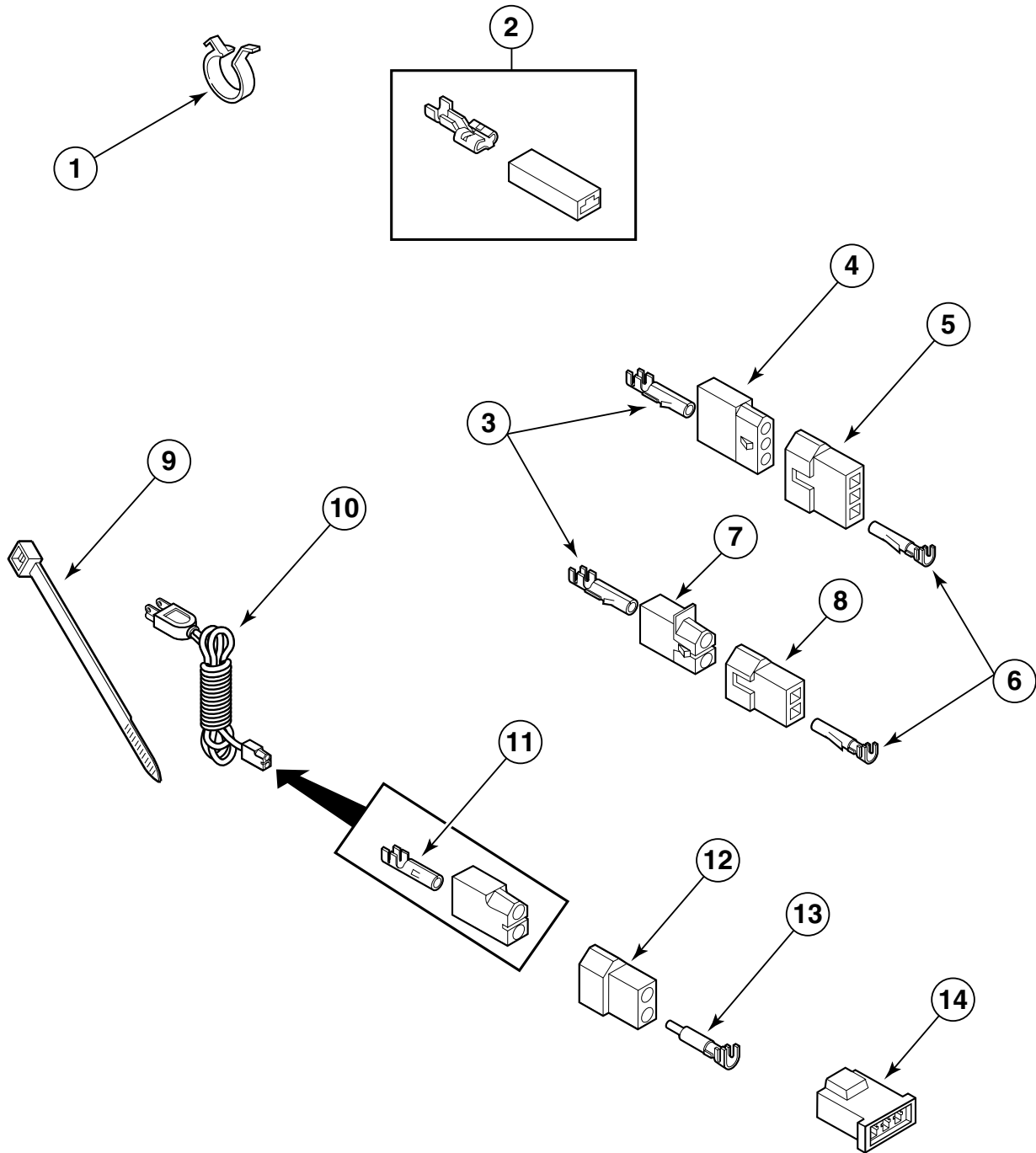


## Label Location on Rear of Cabinet

REF	PART #	DESCRIPTION	COMMENTS
1	501288	Label (Terminal Block)	Models SDE007*A4350, SDE107*A4350, SDE407*A4350, SDG009*A3058 and SDG109*A3058
2	500477	Label (Disconnect Power)	Models HDE007*A1702, HDE007*C1702, HDE107*A1502, HDE107*C1502, HDE107*A1702, HDE107*C1702, HDE507*A1502, HDE507*C1502, HDE507*A1702, HDE507*C1702, HDE607*A1502, HDE607*C1502, HDE607*A1702, HDE607*C1702, HDE707*A1502, HDE707*C1502, HDE707*A1702, HDE707*C1702, HDG009*A1102, HDG009*C1102, HDG109*A1102, HDG109*C1102, HDG509*A1102, HDG509*C1102, HDG609*A1102, HDG709*A1102 and HDG709*C1102
3	501091	Label (Voltage Usage)	Models HDE107*A1502, HDE107*C1502, HDE507*A1502, HDE507*C1502, HDE607*A1502, HDE607*C1502, HDE707*A1502 and HDE707*C1502
4	501140	Label (Natural Gas)	Models SDG009*A3058, SDG109*A3058 and SDG409*A3058
5	511004	Label (Natural Gas)	Models HDG009*A1102, HDG009*C1102, HDG009*A3000, HDG009*C3000, HDG009*A3008, HDG109*A1102, HDG109*C1102, HDG109*A3000, HDG109*C3000, HDG509*A1102, HDG509*C1102, HDG609*A1102, HDG709*A1102, HDG709*C1102, SDG009*A3000, SDG009*A3058, SDG109*A1124, SDG109*A3000, SDG109*A3058, SDG109*A5412, SDG409*A3000 and SDG409*A3058
6	500497	Label (Exhaust)	All Models except HDE007*B3003, HDE007*B3008, HDE007*B3010, HDE107*B3018, HDG009*B3008, HDG109*B3013, SDE007*B3018, SDE107*B3018 and SDG109*B3013
7	511005	Label (Ground)	Models HDE507*A1502, HDE507*C1502, HDE507*A1702 and HDE507*C1702
8	500493	Label (30 Amp)	Models HDE007*A1702, HDE007*C1702, HDE007*A3000, HDE007*C3000, HDE107*A1502, HDE107*C1502, HDE107*A1702, HDE107*C1702, HDE107*A3000, HDE107*C3000, HDE507*A1502, HDE507*C1502, HDE507*A1702, HDE507*C1702, HDE607*A1502, HDE607*C1502, HDE607*A1702, HDE607*C1702, HDE707*A1502, HDE707*C1502, HDE707*A1702, HDE707*C1702, SDE007*A3000, SDE107*A1724, SDE107*A3000, SDE107*A5412 and SDE407*A3000
	500495	Label (15 Amp)	Models HDG009*A1102, HDG009*C1102, HDG009*A3000, HDG009*C3000, HDG009*A3008, HDG109*A1102, HDG109*C1102, HDG109*A3000, HDG109*C3000, HDG509*A1102, HDG509*C1102, HDG609*A1102, HDG709*A1102, HDG709*C1102, SDG109*A1124, SDG009*A3000, SDG109*A3000, SDG109*A5412 and SDG409*A3000
	500496	Label (20 Amp)	Models SDE007*A4350, SDE107*A4350 and SDE407*A4350

\* Add Letter To Designate Color. L - Almond W - White

# Terminals



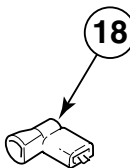
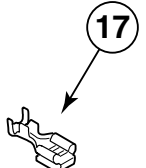
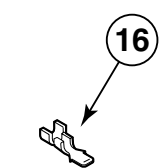
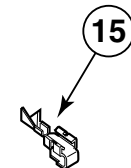
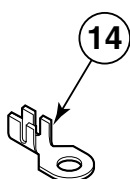
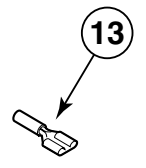
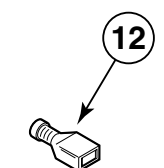
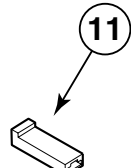
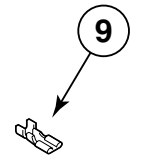
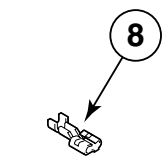
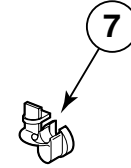
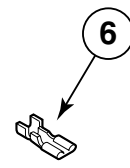
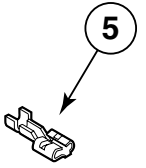
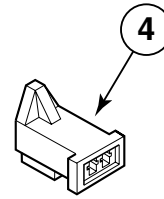
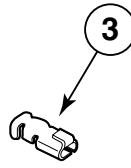
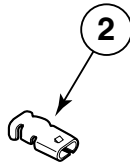
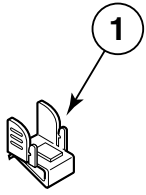
D321PZ3A

# Terminals

REF	PART #	DESCRIPTION	COMMENTS
1	504034	Wire Clip	
2	00237	Insulated 1/4 Inch Spade Terminal	(1) 12 Gauge Wire or (2) 18 Gauge Wires
3	00117	Female Socket Terminal	
4	23039	Terminal Block Receptacle	3 Circuit
5	23040	Terminal Block Plug	3 Circuit
6	00116	Male Pin Terminal	
7	56451	Terminal Block Receptacle	2 Circuit
8	56448	Terminal Block Plug	2 Circuit
9	55881	Wire Tie	
10	59308	Power Cord	Gas Models
11	00130	Female Socket Terminal	
12	56266	Terminal Block Plug	2 Circuit
13	00127	Male Pin Terminal	
14	58800	Terminal Block	3 Circuit connector

\* Add Letter To Designate Color. L - Almond W - White

# Terminals

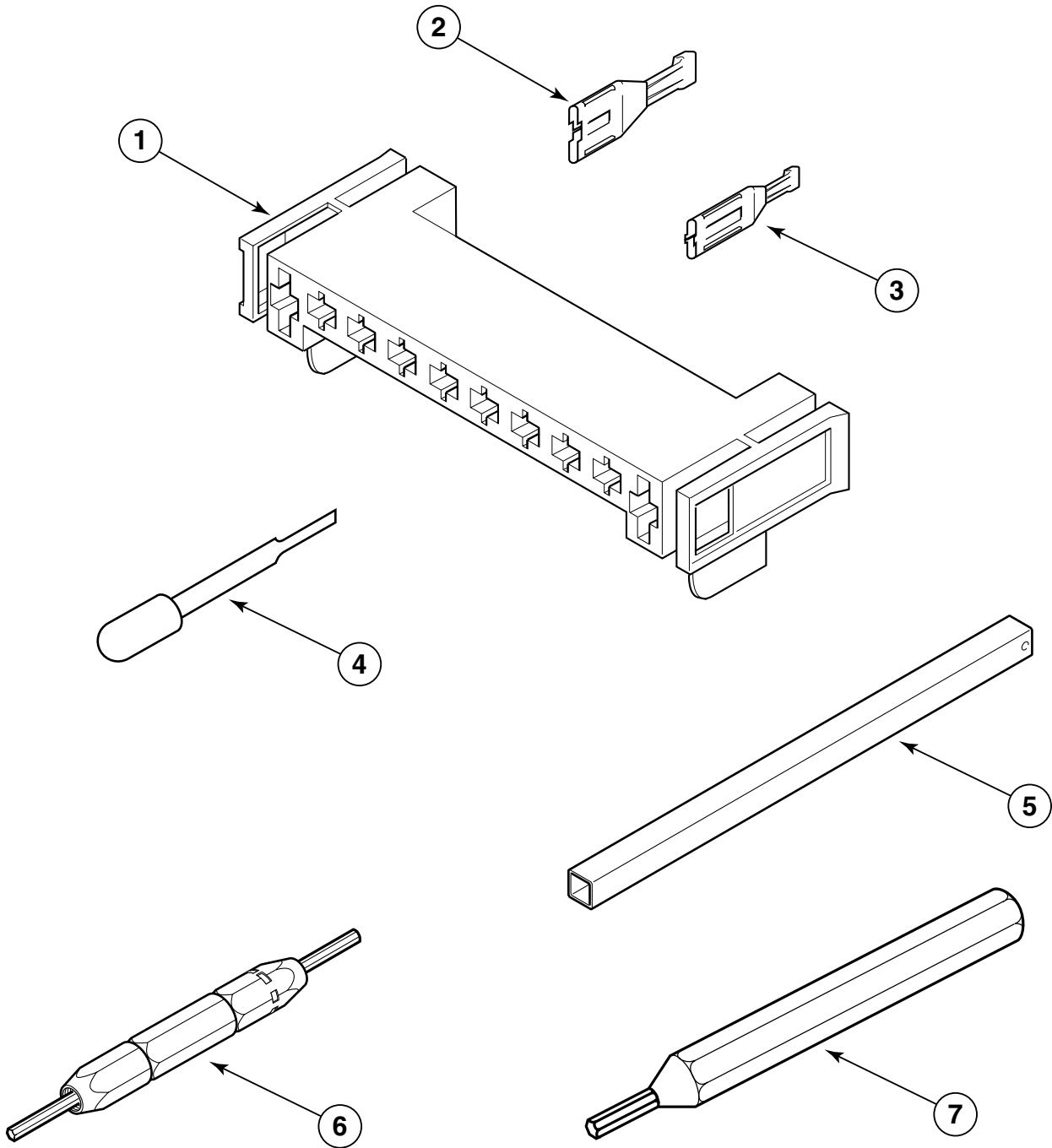


D322PZ3A

# Terminals

REF	PART #	DESCRIPTION	COMMENTS
1	00161	Ground Clip	
2	00189	Spade Terminal	
3	00361	Terminal	Receptacle connector
4	58799	Terminal Block	2 Circuit connector
5	00223	Spade Terminal	1/4 Inch – (1) 18 Gauge Wire
	00121	Spade Terminal	1/4 Inch – (2) 18 Gauge Wires or (1) 12 Gauge Wire
	00245	Spade Terminal	1/4 Inch – (1) 22 Gauge Wire
6	00124	Spade Terminal	3/16 Inch – (1) 18 Gauge Wire – .020 Tab
	00156	Spade Terminal	3/16 Inch – Thermostat Wire – .032 Tab
	00209	Spade Terminal	3/16 Inch – (2) 18 Gauge Wires – .020 Tab
7	38384	Strain Relief	
8	00346	Terminal	
9	00347	Terminal	
10	00115	Lock In Spade Terminal	1/4 Inch – (1) 18 Gauge Wire
	00321	Lock In Spade Terminal	1/4 Inch – (2) 18 Gauge Wires or (1) 12 Gauge Wire
11	90789	Connector	
12	00234	Insulated Spade Terminal	1/4 Inch
	00165	Insulated Spade Terminal	3/16 Inch
13	00214	Barrel Insulated Spade Terminal	1/4 Inch – 18 Gauge Wire
	00215	Barrel Insulated Spade Terminal	1/4 Inch – 12 Gauge Wire
14	00110	Ring Terminal #10	(1) 18 Gauge Wire
	00111	Ring Terminal #10	(2) 18 Gauge Wires or (1) 12 Gauge Wire
15	00114	Spade Terminal	1/4 Inch – Double connector
16	00139	Male Tab Terminal	1/4 Inch – (2) 18 Gauge Wires or (1) 12 Gauge Wire
17	00344	Terminal	
18	00345	Terminal	

# Motor Connection Block and Tools



D319PZ3A

## Motor Connection Block and Tools

REF	PART #	DESCRIPTION	COMMENTS
1	500338	Motor Connection Block	Molex; 10 Circuit
2	00255	Spade Terminal	1/4 Inch – For (1) 12 Gauge Wire
	00256	Spade Terminal	1/4 Inch – For (1) or (2) 18 Gauge Wires
3	00188	Molex Terminal	For 1 or 2 wire application
4	283P4	Terminal Extractor Tool	For use on Molex Connectors
5	310P4	Ratchet Extension Tool	1/4 Inch – For coin drop installation
6	190P4	Terminal Extractor Tool	For use on electric dryer terminals
7	128P4	Terminal Extractor Tool	For use on gas dryer terminals

## Strain Relief, Adapter, Power Cord

MODEL NUMBER	STRAIN RELIEF	ADAPTER	POWER CORD
HDE007*A1702, HDE007*C1702, HDE107*C1502, HDE107*A1502, HDE107*C1702, HDE107*A1702, HDE507*A1502, HDE507*C1502, HDE507*A1702, HDE507*C1702, HDE607*A1502, HDE607*C1502, HDE607*A1702, HDE607*C1702, HDE707*A1502, HDE707*C1502, HDE707*A1702 and HDE707*C1702	—	—	510505
HDG009*A1102, HDG009*C1102, HDG109*A1102, HDG109*C1102, HDG509*A1102, HDG509*C1102, HDG609*A1102, HDG709*A1102 and HDG709*C1102	21903	—	59308
HDG009*B3008, HDG109*B3013, SDG109*B3013	502500	502496	502786
SDE007*A4350, SDE107*A4350, SDE407*A4350	52113	—	61605
SDG009*A3058, SDG109*A3058, SDG409*A3058	—	—	61604
HDE007*B3003, HDE007*B3008, HDE007*B3010, HDE107*B3018, SDE007*B3018, SDE107*B3018	52113	502496	503597

\* Add Letter To Designate Color. L - Almond W - White



## Wire Harnesses and Wires

**Individual wires are not available separately. Order complete wire harness, or order wire by the foot, see chart at bottom of page.**

MODEL NUMBER	WIRE HARNESS PART NUMBER
HDE107*A1502, HDE107*C1502, HDE107*A1702 and HDE107*C1702	504723
HDE507*A1502, HDE507*C1502, HDE507*A1702, HDE507*C1702, HDE607*A1502, HDE607*C1702, HDE607*A1702, HDE707*A1502, HDE707*C1502, HDE707*A1702 and HDE707*C1702	510432
HDG009*A3000 and HDG009*C3000	500903
HDG009*A3008, SDG009*A3000	510429
HDG009*B3008, HDG109*B3013, SDG009*A3058, SDG109*A3058, SDG109*B3013	502609
HDG109*A3000, HDG109*C3000, SDG109*A1124, SDG109*A3000, SDG109*A5412	510431
SDG409*A3000	505074
SDG409*A3058	505068
HDG109*A1102 and HDG109*C1102	510401
HDG509*A1102, HDG509*C1102, HDG609*A1102, HDG709*A1102 and HDG709*C1102	504721
SDE407*A3000, SDE407*A4350	510406
HDE007*A1702, HDE007*C1702, HDE007*A3000, HDE007*C3000, SDE007*A3000, SDE007*A4350	510404
HDG009*A1102 and HDG009*C1102	510405
HDE107*A3000, HDE107*C3000, SDE107*C1724, SDE107*A3000, SDE107*A4350, SDE107*A5412	504725
HDE007*B3003, HDE007*B3008, HDE007*B3010, SDE007*B3018	510456
HDE107*B3018, SDE107*B3018	510458

\* Add Letter To Designate Color. L - Almond W - White

Order the individual wire color and gauge by the part number listed below. Order wire by the foot and terminals and connectors as required. It is recommended when applying terminals to wires that the terminals be soldered to the wires.

**IMPORTANT: Always replace wires with proper gauge.**

Part Number	Wire Gauge	Wire Color
45001	18 Gauge Wire	Black
45380	12 Gauge Wire	Orange

# Parts Index

## A

Access Cover Plate	
510903 .....	47
Adapter	
502496 .....	56
Adhesive for Cylinder Seal	
22506P .....	33, 35
Air Duct Assembly	
510151 .....	33

## B

Baffle	
503703 .....	33
Barrel Insulated Spade Terminal	
00214 .....	53
00215 .....	53
Base	
510084 .....	31, 47
Belt	
510178 .....	27, 31
Blower and Motor Assembly Kit	
510717P .....	27
Blower Housing	
510138P .....	27
Bolt	
29651 .....	9
Bracket	
30642 .....	15
35525 .....	9, 11
502425 .....	45
502589 .....	21
503456 .....	47
Bumper	
56128 .....	47
Burner Assembly	
510149 .....	43, 45

## C

Cabinet Top	
502570* .....	21
510030*P .....	21
510031*P .....	21
Cap Screw	
02916 .....	7, 13, 15, 17, 19
Card Reader	
39685 .....	15
Carriage Bolt	
02505 .....	11, 13, 15

Coin Drop Assembly	
200578 .....	11
38462 .....	11
38463 .....	11
38464 .....	11
38467 .....	11
38469 .....	11
38472 .....	11
38517 .....	11
38518 .....	11
38519 .....	11
38520 .....	11
38521 .....	11
38522 .....	11
38963 .....	11
38964 .....	11

Coin Funnel Kit	
523P3 .....	9
Coin Slide Extension Kit	
553P3 .....	9
Coin Slide Modifier	
501796 .....	9
Combustion Duct	
510131 .....	39, 43, 45
510132 .....	41, 45
Connector	
90789 .....	53
Control and Shield	
M411883P .....	19
M414050P .....	19
Control Hood	
502567* .....	17, 19
Control Hood Rear Cover	
505798 .....	17, 19
Control Knob Assembly	
39897 .....	17
Control Panel	
501359* .....	19
Control Panel and Bracket Assembly	
501738* .....	17
Cylinder Assembly	
510265 .....	33
Cylinder Glide	
510187 .....	33
Cylinder Roller	
510708P .....	35
Cylinder Seal	
510207 .....	35
510207P .....	33

## D

Directional Exhaust Kit	
528P3 .....	47
Door Catch	
510177 .....	25
Door Hinge	
511036 .....	23
Door Pull	
510103* .....	23

Door Seal	510147	23
Door Striker	510181	23
Door Striker Bracket	510127	23
Door Switch	504570	11, 25
Dryer Panel Kit	727P3*	21, 35, 43, 45, 47

## E

18 Gauge Wire	45001	57
Exhaust Duct	510137	47
Exhaust Fan Cover	500078	27
	510140	31
	510141	31
Exhaust Fan Housing	510138	31
Exhaust Fan Impeller	510139	27, 31

## F

Felt Pad	500121	33
Female Socket Terminal	00117	51
	00130	51
Flexible Venting Kit	521P3	47
Front Bulkhead	510266	33
Front Overlay	39073	11
Front Panel	510066*	25
Front Panel Seal	510236	25
Fuse	502592	21
	502593	21
Fuse Holder Body	502591	21
Fuse Holder Cap	502811	21

## G

Gas Burner Conversion Kit	458P3	45
	459P3	43, 45
	510703	43
	600P3	45

Gas Valve Assembly	502478	45
	58804	43
	60353	43
	60443	43
Gasket	35526	9, 11
	37526	15
Glide Bracket	510145	33
Graphic Overlay	501094	17
	504113	19
	504115	17
	504594	17
	505377	17
	505379	17
	505380	19
	505496	17
	505497	17
Ground Clip	00161	53

## H

Heat Shroud	510101	39, 41
Heater Assembly	510324	37
	510326	37
	510327	37
	510330	37
Heater Duct Assembly	510025P	37, 39, 41
Hex Head Screw	503673	9
Hold-Down Bracket	510146	21
Hold-Down Clip	28835	25
Holding and Booster Coil	58804A	43
	59063A	43

## I

Idler Lever	510133	29, 31
Idler Pulley	510142	29, 31
Idler Pulley And Lever Assembly	510158	29
Idler Pulley and Lever Assembly	510158	31
Igniter and Bracket Assembly	510184P	43
Igniter and Sensor Assembly	502995	45
Ignition Control	502994	45

Indicator Light	
32464 .....	17
32519 .....	17
36967 .....	17
38280 .....	17
Inner Door Panel and Seal Assembly	
510163W .....	23
Instruction Label	
500490 .....	7
500628 .....	9
502626 .....	7
502783 .....	9
Insulated Spade Terminal	
00165 .....	53
00234 .....	53
Insulated 1/4 Inch Spade Terminal	
00237 .....	51

---

## K

Keps Nut	
29786 .....	7, 13, 15
Knurled Nut	
24205 .....	17

---

## L

Label	
24903 .....	21
500253 .....	25
500281 .....	25
500316 .....	21
500477 .....	49
500493 .....	49
500495 .....	49
500496 .....	49
500497 .....	49
501091 .....	49
501140 .....	49
501288 .....	49
502511 .....	21
502804 .....	25
511004 .....	25, 49
511005 .....	49
Lead-In Pipe Assembly	
510204 .....	43, 45
Leveling Leg	
510135 .....	47
Limit Thermostat	
510701 .....	37
510702 .....	39, 41
Lint Filter	
503980 .....	33
Lint Filter Cover	
510502 .....	33
Locator	
56079 .....	25, 47
Lock In Spade Terminal	
00115 .....	53
00321 .....	53
Locking Bracket	
30642 .....	9, 11

Locknut	
29786 .....	9, 11
52566 .....	29, 31
56156 .....	29, 31, 35
Lockwasher	
02431 .....	7, 13, 15, 17, 19
03815 .....	7
21734 .....	13
91176 .....	17
Lower Access Panel	
510069* .....	25

---

## M

Male Pin Terminal	
00116 .....	51
00127 .....	51
Male Tab Terminal	
00139 .....	53
Meter Case	
38724* .....	11
524P3* .....	9
Meter Case Gasket	
26354 .....	9, 11
Molex Terminal	
00188 .....	55
Motor and Blower Assembly	
510717P .....	31
Motor Assembly	
501213 .....	31
501213P .....	27
505843P .....	27, 31
510508P .....	27, 31
Motor Connection Block	
500338 .....	55
Motor Hub Ring Kit	
590P3 .....	27, 31
Motor Mounting Bracket	
510060 .....	29, 31
Motor Mounting Clamp	
510180 .....	27, 31
Motor Pulley	
500011 .....	27, 31
500222 .....	27, 31
Motor Switch	
501218P .....	27, 31
Mounting Bracket	
510128 .....	43, 45

---

## N

Nut	
29796 .....	9
52566 .....	17, 19
52947 .....	17

---

## O

Outer Door Panel	
510013* .....	23
Outlet Cover	
500820 .....	37, 39, 41

Overlay	
38348 .....	15
505380 .....	15

---

## P

Phillips Head Screw	
500226 .....	17
Power Cord	
502786 .....	56
503597 .....	56
510505 .....	56
59308 .....	51, 56
61604 .....	56
61605 .....	56
Push-to-Start Switch Assembly	
55882 .....	17

---

## R

Ratchet Extension Tool	
310P4 .....	55
Rear Bulkhead	
511082 .....	35
Relay	
502501 .....	21
Retainer Nut	
27222 .....	21
30647 .....	9, 11, 15
Retainer Ring	
23748 .....	29, 31, 35
Ring Terminal	
00110 .....	53
00111 .....	53
Rivet	
501086 .....	33
Roller Bracket	
510100 .....	35
Rubber Foot	
501855 .....	47

---

## S

Screw	
02505 .....	9
03203 .....	9
03950 .....	9
23222 .....	37, 43
23962 .....	15
27328 .....	7
31260 .....	27, 31
32671 .....	25, 47
33561 .....	29, 31
36048 .....	9
500226 .....	19, 23
501086 .....	7, 9, 13, 17, 19, 21
501285 .....	33, 35
501524 .....	19
503673 .....	11, 15, 21

503688 .....	15, 21, 25, 27, 31, 33, 35,
.....	37, 39, 41, 43, 45, 47
505295 .....	23, 33
51778 .....	7, 13
51782 .....	39, 41, 43, 45
56124 .....	43, 45
61199 .....	35
62588 .....	33

Seal	
510238 .....	27, 31
Secondary Coil	
58804B .....	43
59063B .....	43
Security Case	
38145* .....	15
Sensor	
510213 .....	43
Service Door	
35798* .....	9, 11, 15
Setscrew	
20310 .....	7, 17
Shaft	
56461 .....	29, 31, 35
Shield	
38754 .....	15
505768 .....	35
510237 .....	35
Shoulder Bolt	
500824 .....	31
Shoulder Screw	
36048 .....	11
500824 .....	29
502431 .....	9
Shut-Off Valve	
510205 .....	43, 45
Slide Extension	
503733 .....	9
Spade Terminal	
00114 .....	53
00121 .....	53
00124 .....	53
00156 .....	53
00189 .....	53
00209 .....	53
00223 .....	53
00245 .....	53
00255 .....	55
00256 .....	55
Spring	
510185 .....	29, 31
Strain Relief	
21903 .....	56
38384 .....	53
502500 .....	56
52113 .....	56

---

## T

Temperature Selector Switch	
61512 .....	17

Terminal	
00344	53
00345	53
00346	53
00347	53
00361	53
Terminal Block	
502517	35
510190P	35
58799	53
58800	51
Terminal Block Plug	
23040	51
56266	51
56448	51
Terminal Block Receptacle	
23039	51
56451	51
Terminal Extractor Tool	
128P4	55
190P4	55
283P4	55
Thermal Fuse	
510183	37
Thermistor	
M411758	29
510522	29, 31
Thermostat	
504515	29, 31
504516	29, 31
504517	29, 31
504518	31
504519	31
504520	31
504521	31
510703	41
Timer	
501754	9
501757	9
510524	7
510525	7
510526	7
510632P	9
Timer Bracket	
503315	9
Timer Case	
37733*	7, 13
Timer Knob Assembly	
54678	7
Timer Plate Assembly	
39481	13
500921*	7
Top Hinge	
510136	47
Torx Bit	
281P4	17
282P4	25
Torx Bit Holder	
24161	17, 25
Torx Head Screw	
35528	17
62853	25
Transformer	
M412477	21
12 Gauge Wire	
45380	57

---

## W

Washer	
20279	7
52549	29, 31, 35
Wedge	
510129	23
Wire Clip	
504034	51
Wire Harness	
500903	57
502609	45, 57
504721	57
504723	57
504725	57
505068	57
505074	57
510401	57
510404	57
510405	57
510406	57
510429	57
510431	57
510432	57
510456	57
510458	57
510530	43
Wire Tie	
55881	51
Wire, 12 Gauge	
45380	57
Wire, 18 Gauge	
45001	57