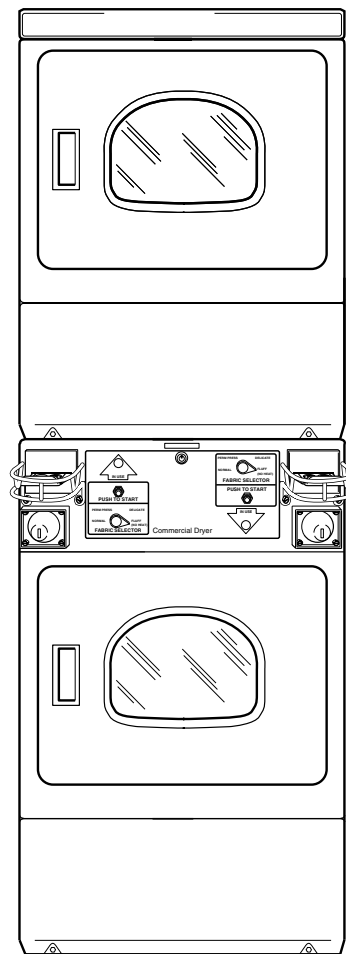


Stacked Dryers

Metered and Nonmetered
See Page 3 for Model Numbers



D330P

Table of Contents

Title	Page
Parts Ordering Information	2
Model Identification	3
Control Panel and Controls (Nonmetered)	4
Control Panel and Controls (Coin Slide Ready)	6
Control Panel and Controls (Coin Drop)	8
Control Panel and Controls (Card Reader Ready)	10
Control Panel and Controls (Card Reader Installed)	12
Control Cabinet (Coin Slide Ready).....	14
Control Cabinet (Coin Drop)	16
Control Cabinet (Card Reader Ready)	18
Control Cabinet (Card Reader Installed)	20
Two Switch Timer	22
Loading Door	24
Loading Door With Window	26
Access Panel, Front Panel and Seal	28
Motor, Exhaust Fan and Belt	30
Front Bulkhead, Air Duct, Felt Seal and Cylinder	32
Rear Bulkhead, Felt Seal, Cylinder Roller and Terminal Block	34
Heater Duct and Element Assembly.....	36
Heater Duct and Limit Thermostat.....	38
Heater Duct, Limit Thermostat and Thermostat.....	40
Gas Valve and Igniter	42
Gas Valve, Igniter and Ignition Control	44
Cabinet, Exhaust Duct and Base (Upper Dryer).....	46
Cabinet, Exhaust Duct and Base (Lower Dryer).....	48
Terminal Block and Terminals	50
Terminals	52
Motor Connection Block, Terminal Extractor Tools	54
Strain Relief, Adapter, Power Cord.....	56
Wire Harnesses and Wires	57
Parts Index.....	59

© Copyright 1998, Alliance Laundry Systems LLC

All rights reserved. No part of the contents of this book may be reproduced or transmitted in any form or by any means without the written permission of the publisher.

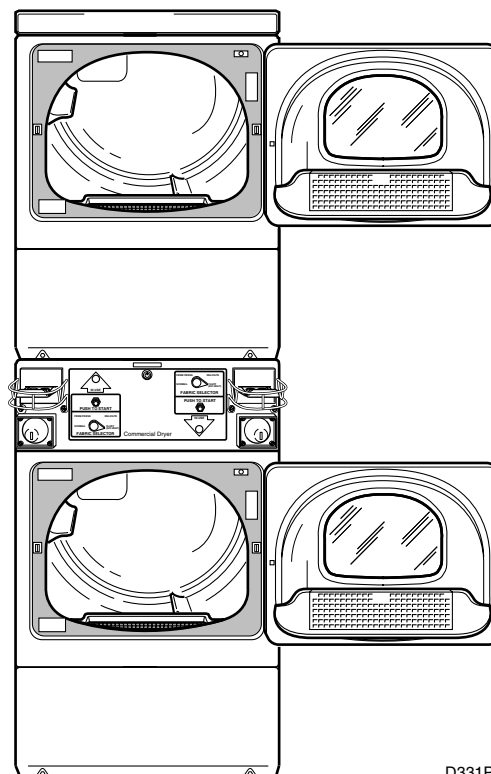
Parts Ordering Information

If literature or replacement parts are required, contact the source from whom the machine was purchased or contact Alliance Laundry Systems at (920) 748-3950 for the name and address of the nearest authorized parts distributor.

For technical assistance, call (920) 748-3121.

Nameplate Location

When calling or writing about your product, be sure to mention model and serial numbers. Model and serial numbers are located on the nameplate(s) as shown.



D331P

Model Identification

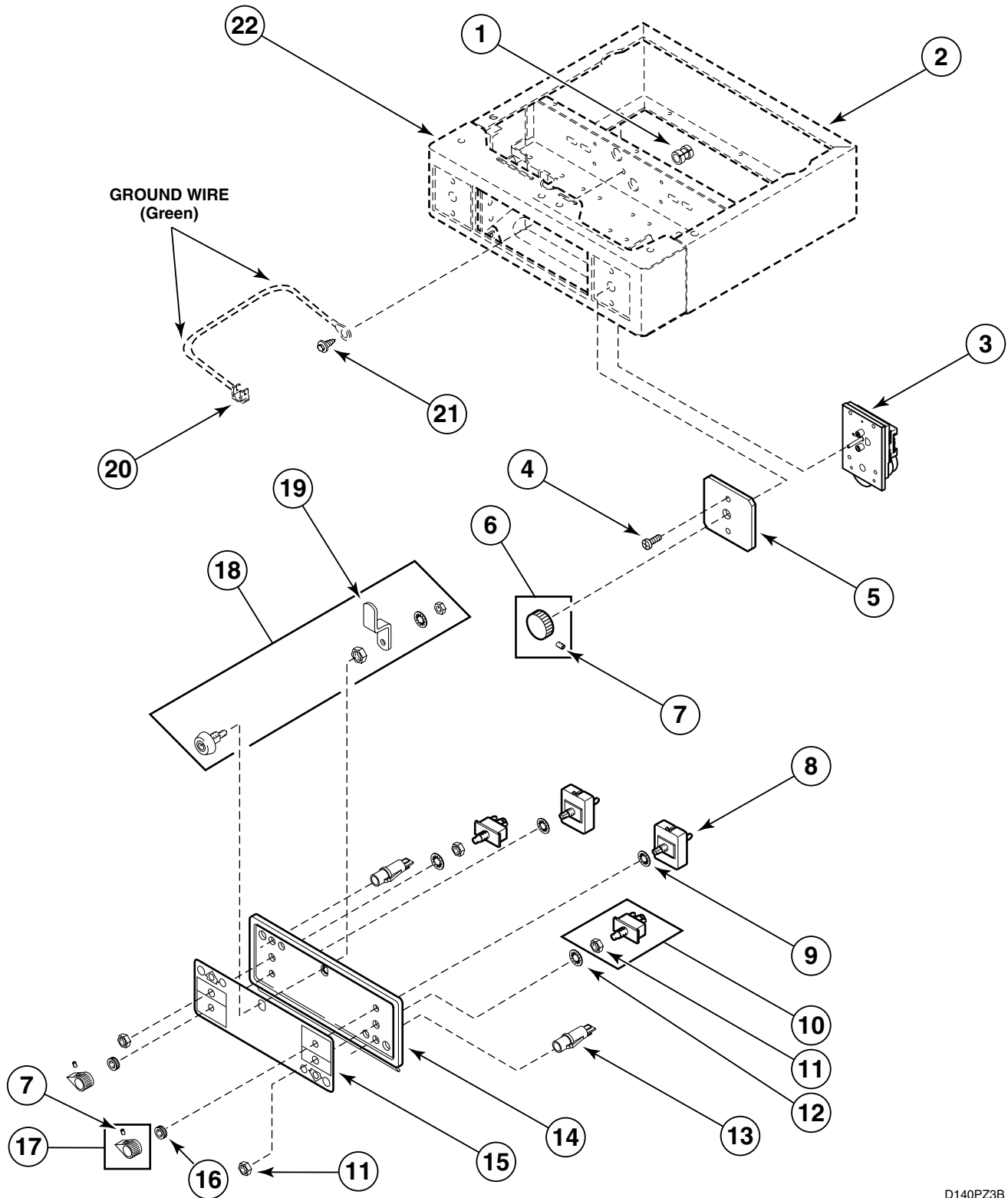
Information in this manual is applicable to these dryers:

Model Number	Nonmetered Model	Metered Model	Coin Drop Ready	Coin Drop Installed	Coin Slide Ready	Electronic Display Control	Card Reader Ready	Card Reader Installed	Electric Heat	Gas Heat
HSE117*A2802		X			X				X	
HSE117*A2902		X			X				X	
HSE117*C2802		X			X				X	
HSE117*C2902		X			X				X	
HSE517*A2802		X		X		X			X	
HSE517*A2902		X		X		X			X	
HSE517*C2802		X		X		X			X	
HSE517*C2902		X		X		X			X	
HSE617*C2802		X				X	X		X	
HSE617*C2902		X				X	X		X	
HSE717*A2802		X				X		X	X	
HSE717*A2902		X				X		X	X	
HSE717*C2802		X				X		X	X	
HSE717*C2902		X				X		X	X	
HSG119*A0902		X			X					X
HSG119*C0902		X			X					X
HSG519*A0902		X		X		X				X
HSG519*C0902		X		X		X				X
HSG619*C0902		X				X	X			X
HSG719*A0902		X				X		X		X
HSG719*C0902		X				X		X		X
SSE007*A3000	X								X	
SSE117*A3000		X			X				X	
SSE117*A4350		X			X				X	
SSE117*A5412		X			X				X	
SSE417*A3000		X	X			X			X	
SSE417*A4350		X	X			X			X	
SSG119*A3000		X			X					X
SSG119*A3058		X			X					X
SSG119*A5412		X			X					X
SSG119*A5480		X			X					X
SSG419*A3000		X	X			X				X
SSG419*A3058		X	X			X				X

* Add Letter To Designate Color. L - Almond W - White

Control Panel and Controls (Nonmetered)

Model SSE007*A3000



D140PZ3B

* Add Letter To Designate Color. L - Almond W - White

Control Panel and Controls (Nonmetered)

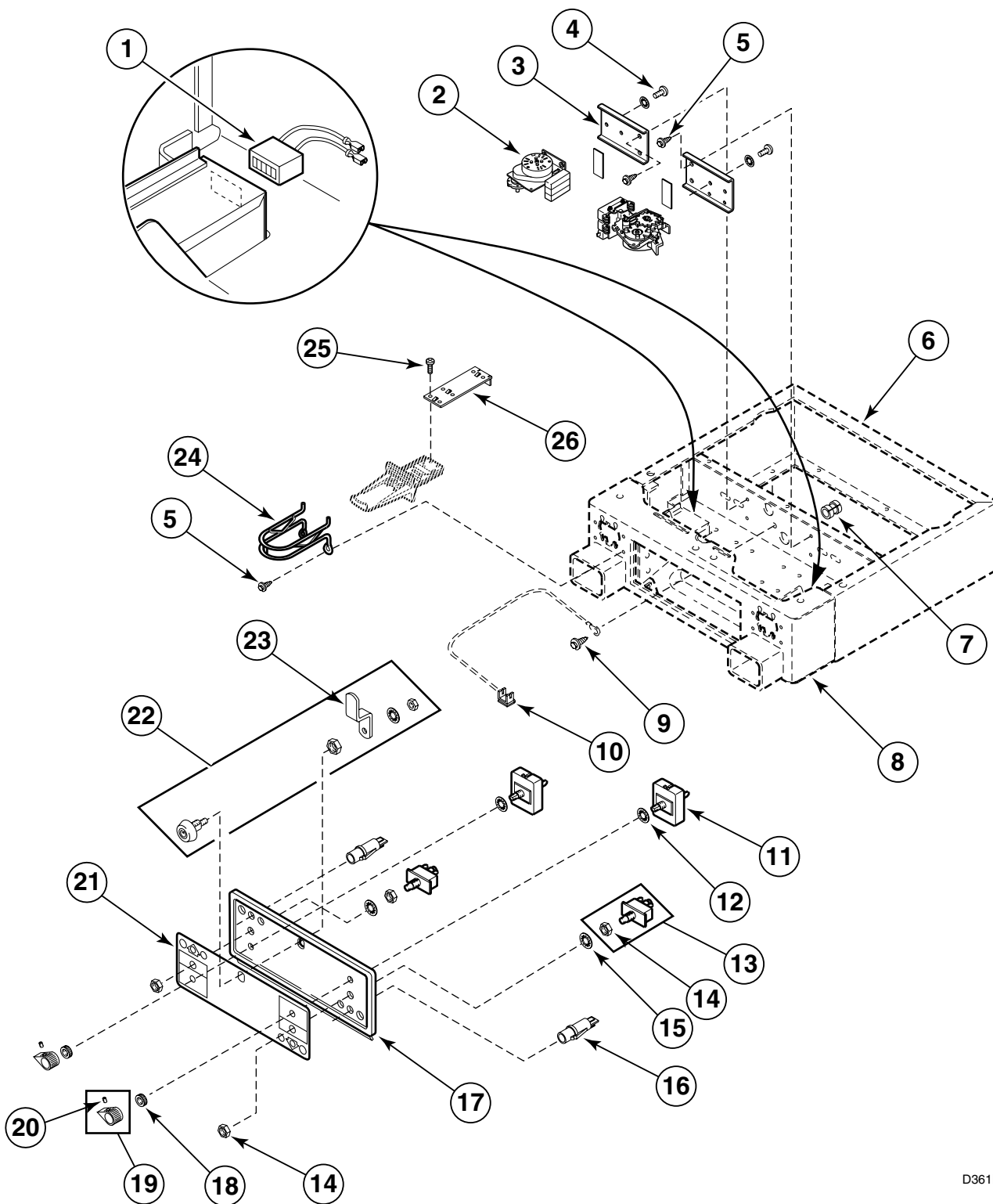
Model SSE007*A3000

REF	PART #	DESCRIPTION	COMMENTS
1	52113	Strain Relief	Gas Models
	52151	Strain Relief	Electric Models
2	503541*	Control Cabinet	
3	500399	Timer	
4	27328	Screw	
5	500814	Overlay	
6	54678	Timer Knob Assembly	
7	20310	Setscrew	
8	61512	Fabric Selector Switch	
9	91176	Lockwasher	
10	55882	Push-to-start Switch Assembly	
11	52947	Hex Nut	
12	25820	Lockwasher	
13	32464	Indicator Light	
14	500228*	Control Panel	
15	504590	Control Panel Overlay	
16	24205	Knurled Nut	
17	35182	Control Knob Assembly	
18	27260	Lock Assembly	
19	27261	Cam	
20	00161	Ground Clip	
21	20530	Screw	
22	500225*	Security Cabinet Front	

* Add Letter To Designate Color. L - Almond W - White

Control Panel and Controls (Coin Slide Ready)

Models HSE117*A2802, HSE117*A2902, HSE117*C2802, HSE117*C2902, HSG119*A0902, HSG119*C0902, SSE117*A3000, SSE117*A4350, SSE117*A5412, SSG119*A3000, SSG119*A3058, SSG119*A5412 and SSG119*A5480



D361PZ3A

* Add Letter To Designate Color. L - Almond W - White

Control Panel and Controls (Coin Slide Ready)

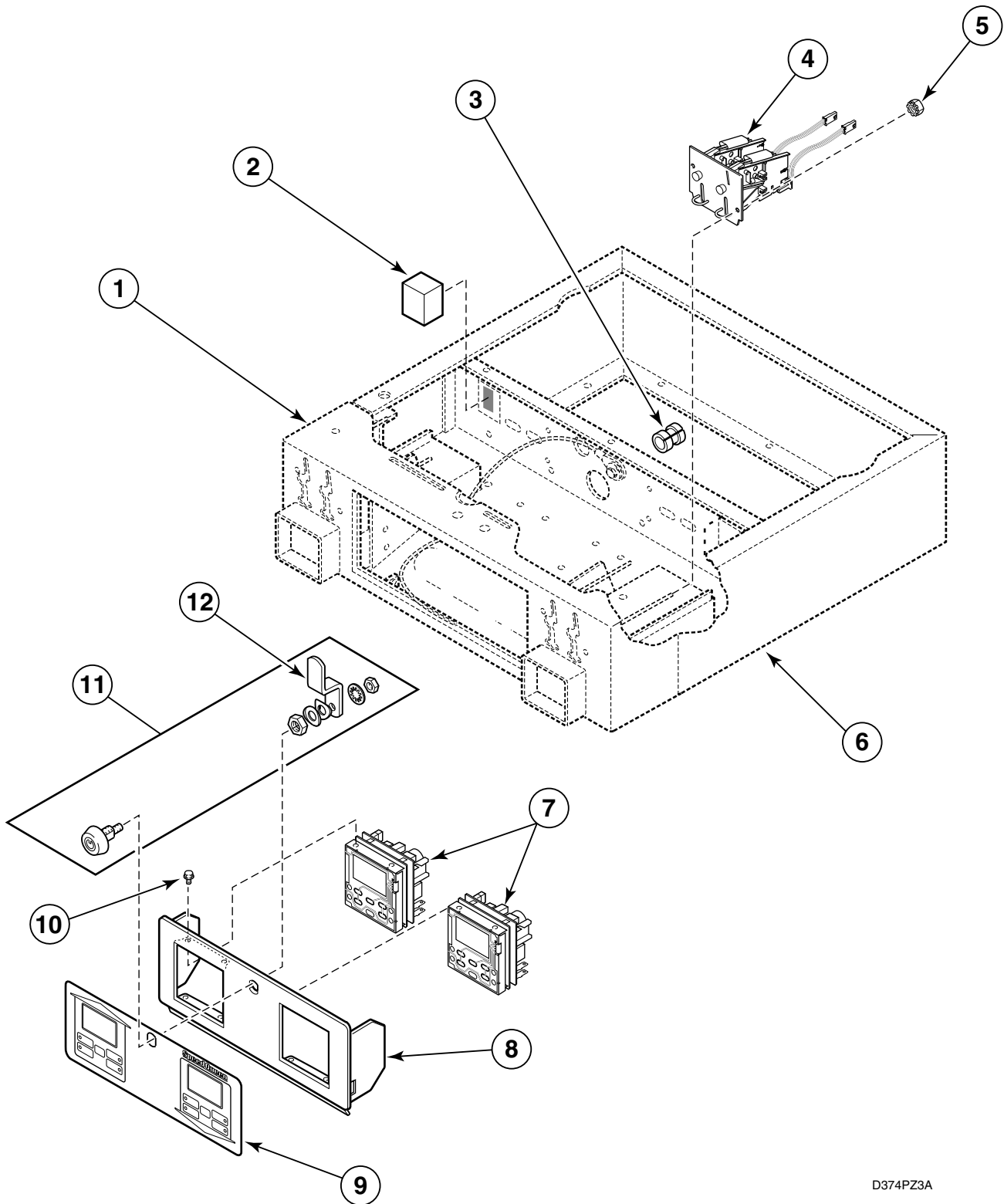
Models HSE117*A2802, HSE117*A2902, HSE117*C2802, HSE117*C2902, HSG119*A0902, HSG119*C0902, SSE117*A3000, SSE117*A4350, SSE117*A5412, SSG119*A3000, SSG119*A3058, SSG119*A5412 and SSG119*A5480

REF	PART #	DESCRIPTION	COMMENTS
1	62113P	Counter Kit	Models SSE307*A and SSG309*A
2	59228	Timer	120V, 60 Hertz - Models HSE117*A2802, HSE117*A2902, HSE117*C2802, HSE117*C2902, HSG119*A0902 and HSG119*C0902
	59229	Timer	240V, 50 Hertz - Models SSE117*A3000, SSE117*A4350, SSG119*A3000 and SSG119*A3058
	501163	Timer	230V, 60 Hertz - Models SSE117*A5412, SSG119*A5412 and SSG119*A5480
3	503017	Timer Bracket	
4	03203	Screw	
5	503661	Screw	
6	503541*	Control Cabinet Wrapper	
7	52113	Strain Relief	Gas Models
	52151	Strain Relief	Electric Models
8	500847*	Control Cabinet Front	
9	20530	Screw	
10	00161	Ground Clip	
11	61512	Fabric Selector Switch	
12	91176	Lockwasher	
13	55882	Push-to-start Switch Assembly	
14	52947	Nut	
15	25820	Lockwasher	
16	32464	Indicator Light	125 Volts - Models HSE117*A2802, HSE117*A2902, HSE117*C2802, HSE117*C2902, HSG119*A0902 and HSG119*C0902
	32519	Indicator Light	250 Volts - Models SSE117*A3000, SSE117*A4350, SSE117*A5412, SSG119*A3000, SSG119*A3058, SSG119*A5412 and SSG119*A5480
17	500228*	Control Panel	
18	24205	Knurled Nut	
19	35182	Control Knob Assembly	
20	20310	Setscrew	
21	504590	Control Panel Overlay	
22	27260	Lock Assembly	
23	27261	Cam	
24	58181	Coin Slide Guide	
25	03950	Screw	
26	503455	Slide Extension	

* Add Letter To Designate Color. L - Almond W - White

Control Panel and Controls (Coin Drop)

Models HSE517*A2802, HSE517*A2902, HSE517*C2802, HSE517*C2902, HSG519*A0902,
HSG519*C0902, SSE417*A3000, SSE417*A4350, SSG419*A3000 and SSG419*A3085



D374PZ3A

* Add Letter To Designate Color. L - Almond W - White

Control Panel and Controls (Coin Drop)

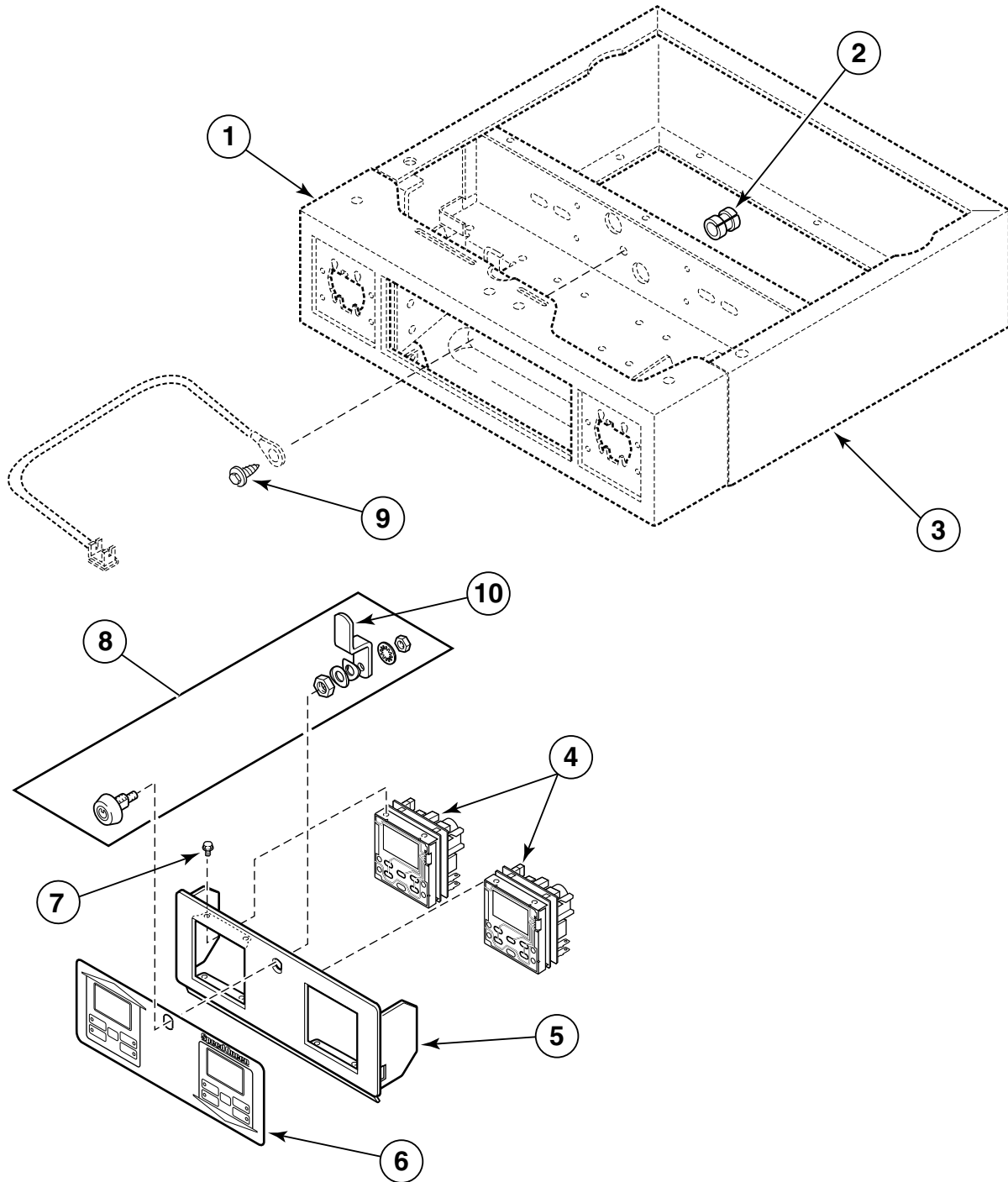
Models HSE517*A2802, HSE517*A2902, HSE517*C2802, HSE517*C2902, HSG519*A0902,
HSG519*C0902, SSE417*A3000, SSE417*A4350, SSG419*A3000 and SSG419*A3085

REF	PART #	DESCRIPTION	COMMENTS
1	503761*	Control Cabinet Front	
2	38571	Multiplier	Models HSE517*A2802, HSE517*A2902, HSE517*C2802, HSE517*C2902, HSG519*A0902 and HSG519*C0902
3	52113	Strain Relief	Gas Models
	52151	Strain Relief	Electric Models
4	38465	Dual Coin Drop	Models HSE517*A2802, HSE517*A2902, HSE517*C2802, HSE517*C2902, HSG519*A0902 and HSG519*C0902
5	29786	Locknut	
6	503541*	Control Cabinet Wrapper	
7	M414050P	Electronic Control	120 Volts - Models HSE517*A2802, HSE517*A2902, HSE517*C2802, HSE517*C2902, HSG519*A0902 and HSG519*C0902
	M411883P	Electronic Control	230 Volts - Models SSE417*A3000, SSE417*A4350, SSG419*A3000 and SSG419*A3058
8	501346*	Control Panel	
9	504117	Graphic Overlay	
10	501524	Screw	
11	27260	Lock Assembly	
12	27261	Cam	

* Add Letter To Designate Color. L - Almond W - White

Control Panel and Controls (Card Reader Ready)

Models HSE617*C2802, HSE617*C2902 and HSG619*C0902



D352PZ3A

* Add Letter To Designate Color. L - Almond W - White

Control Panel and Controls (Card Reader Ready)

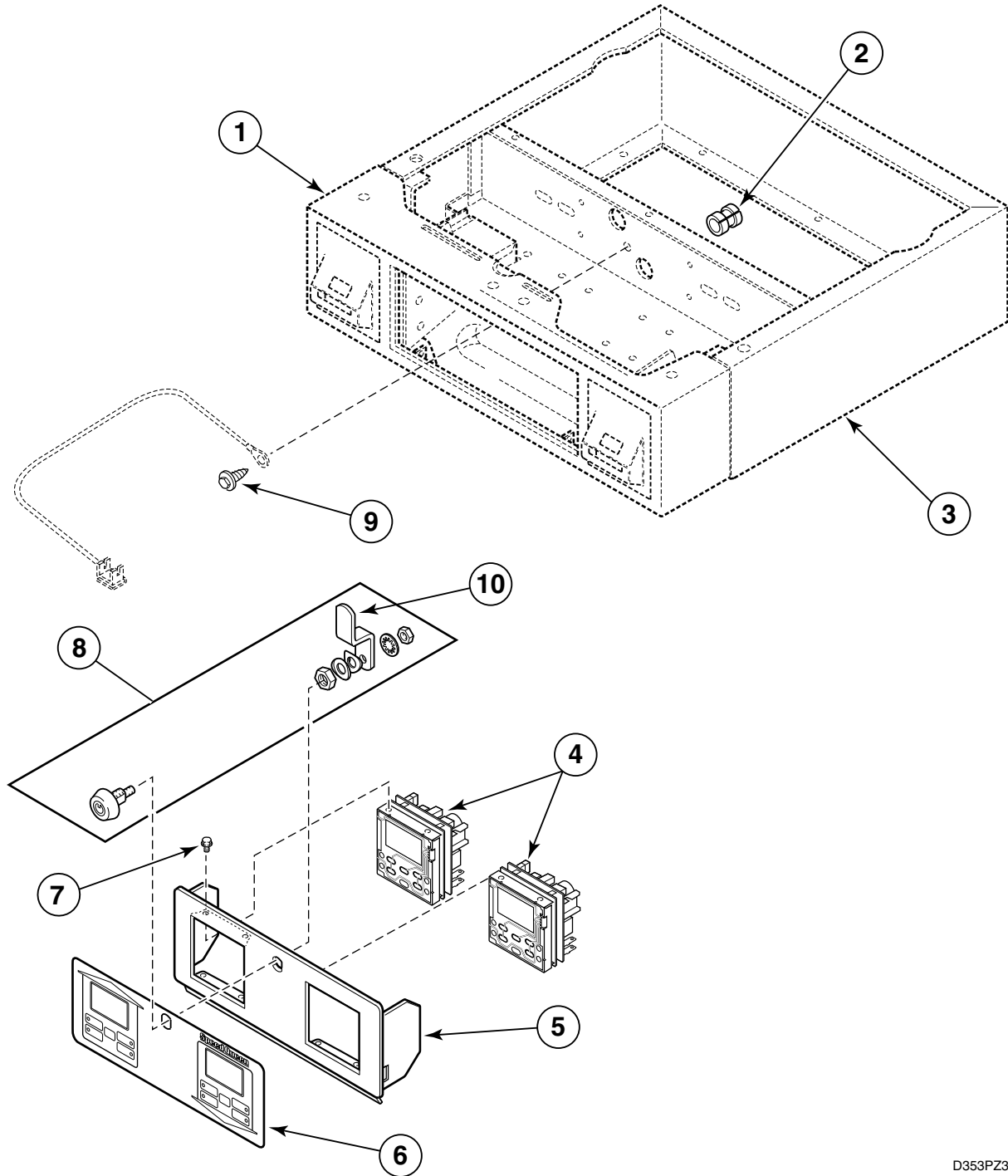
Models HSE617*C2802, HSE617*C2902 and HSG619*C0902

REF	PART #	DESCRIPTION	COMMENTS
1	505227*	Control Cabinet Front	
2	52113	Strain Relief	Gas Models
	52151	Strain Relief	Electric Models
3	503541*	Control Cabinet Wrapper	
4	M414050P	Electronic Control	
5	501346*	Control Panel	
6	504117	Graphic Overlay	
7	501524	Screw	
8	27260	Lock Assembly	
9	20530	Screw	
10	27261	Cam	

* Add Letter To Designate Color. L - Almond W - White

Control Panel and Controls (Card Reader Installed)

Models HSE717*A2802, HSE717*A2902, HSE717*C2802, HSE717*C2902, HSG719*A0902 and HSG719*C0902



D353PZ3A

* Add Letter To Designate Color. L - Almond W - White

Control Panel and Controls (Card Reader Installed)

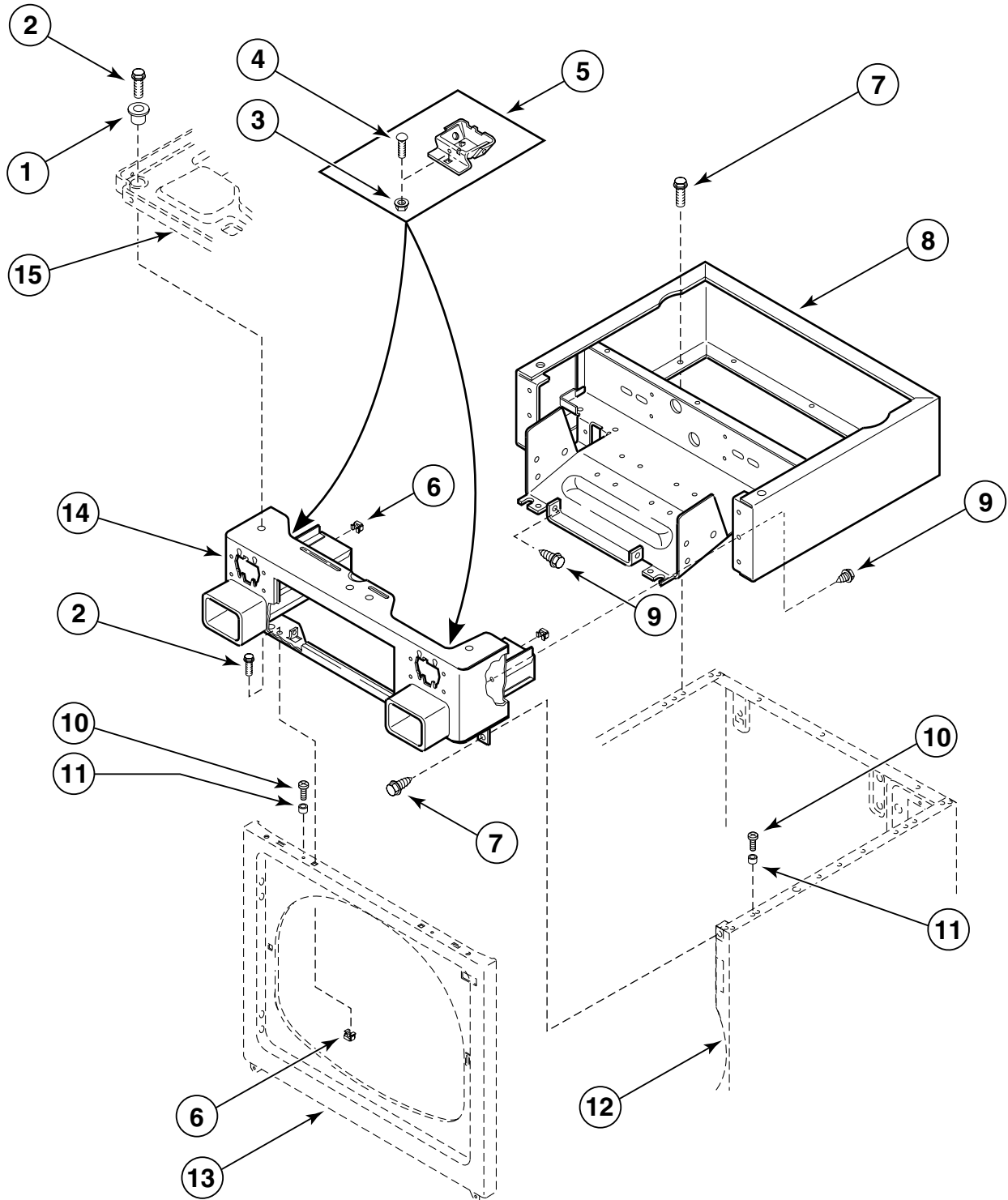
Models HSE717*A2802, HSE717*A2902, HSE717*C2802, HSE717*C2902, HSG719*A0902 and HSG719*C0902

REF	PART #	DESCRIPTION	COMMENTS
1	503428*	Control Cabinet Front	
2	52113	Strain Relief	Gas Models
	52151	Strain Relief	Electric Models
3	503541*	Control Cabinet Wrapper	
4	M414050P	Electronic Control	
5	501346*	Control Panel	
6	504117	Graphic Overlay	
7	501524	Screw	
8	27260	Lock Assembly	
9	20530	Screw	
10	27261	Cam	

* Add Letter To Designate Color. L - Almond W - White

Control Cabinet (Coin Slide Ready)

Models HSE117*A2802, HSE117*A2902, HSE117*C2802, HSE117*C2902, HSG119*A0902, HSG119*C0902, SSE117*A3000, SSE117*A4350, SSE117*A5412, SSG119*A3000, SSG119*A3058, SSG119*A5412 and SSG119*A5480



D333PZ3A

* Add Letter To Designate Color. L - Almond W - White

Control Cabinet (Coin Slide Ready)

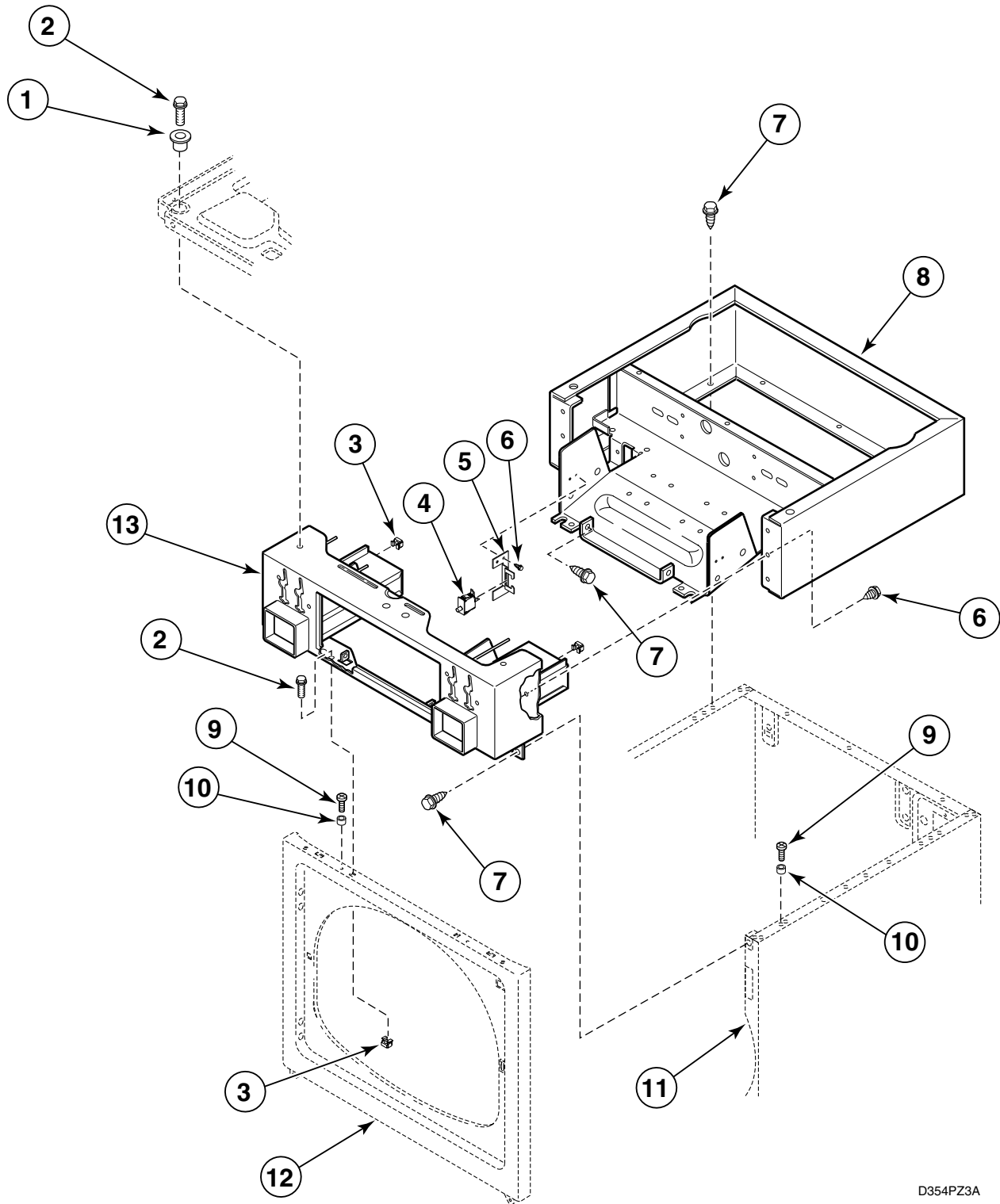
Models HSE117*A2802, HSE117*A2902, HSE117*C2802, HSE117*C2902, HSG119*A0902, HSG119*C0902, SSE117*A3000, SSE117*A4350, SSE117*A5412, SSG119*A3000, SSG119*A3058, SSG119*A5412 and SSG119*A5480

REF	PART #	DESCRIPTION	COMMENTS
1	501307	Washer	
2	502431	Screw	
3	29796	Nut	
4	29651	Bolt	
5	523P3	Coin Funnel Kit	
6	80077	Caged Nut	
7	503661	Screw	
8	503541*	Control Cabinet Wrapper	
9	503688	Screw	
10	32671	Screw	
11	56079	Locator	
12	500001*P	Cabinet (Lower Dryer)	
13	503656*	Front Panel (Lower Dryer)	
14	500847*	Control Cabinet Front	
15	500070	Base (Upper Dryer)	

* Add Letter To Designate Color. L - Almond W - White

Control Cabinet (Coin Drop)

Models HSE517*A2802, HSE517*A2902, HSE517*C2802, HSE517*C2902, HSG519*A0902,
HSG519*C0902, SSE417*A3000, SSE417*A4350, SSG419*A3000 and SSG419*A3058



D354PZ3A

* Add Letter To Designate Color. L - Almond W - White

Control Cabinet (Coin Drop)

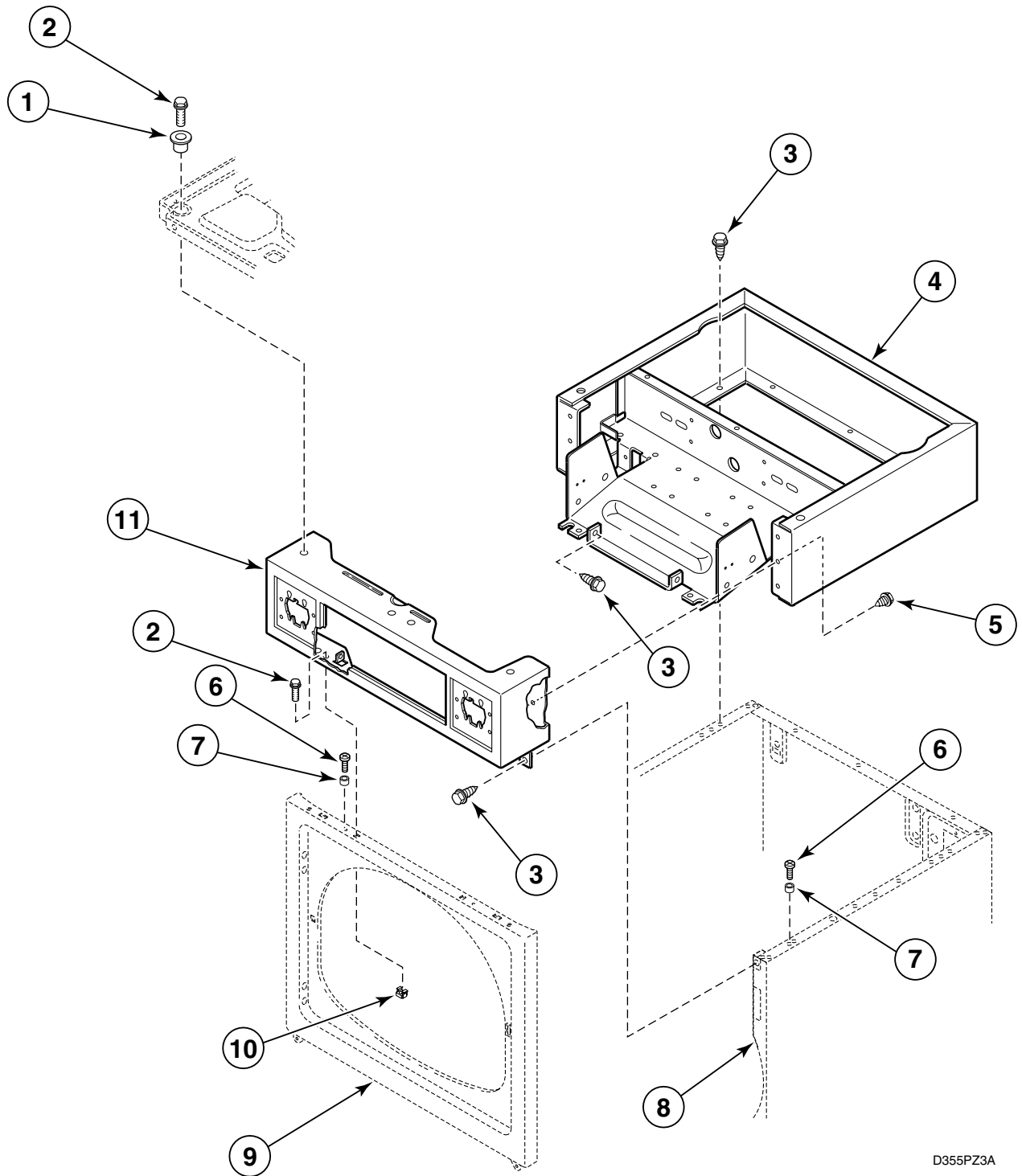
Models HSE517*A2802, HSE517*A2902, HSE517*C2802, HSE517*C2902, HSG519*A0902,
HSG519*C0902, SSE417*A3000, SSE417*A4350, SSG419*A3000 and SSG419*A3058

REF	PART #	DESCRIPTION	COMMENTS
1	501307	Washer	
2	502431	Screw	
3	80077	Caged Nut	
4	504570	Switch	
5	38087	Bracket	
6	503688	Screw	
7	503661	Screw	
8	503541*	Control Cabinet Wrapper	
9	32671	Screw	
10	56079	Locator	
11	500001*P	Cabinet (Lower Dryer)	
12	503656*	Front Panel (Lower Dryer)	
13	503761*	Control Cabinet Front	

* Add Letter To Designate Color. L - Almond W - White

Control Cabinet (Card Reader Ready)

Models HSE617*C2802, HSE617*C2902 and HSG619*C0902



D355PZ3A

* Add Letter To Designate Color. L - Almond W - White

Control Cabinet (Card Reader Ready)

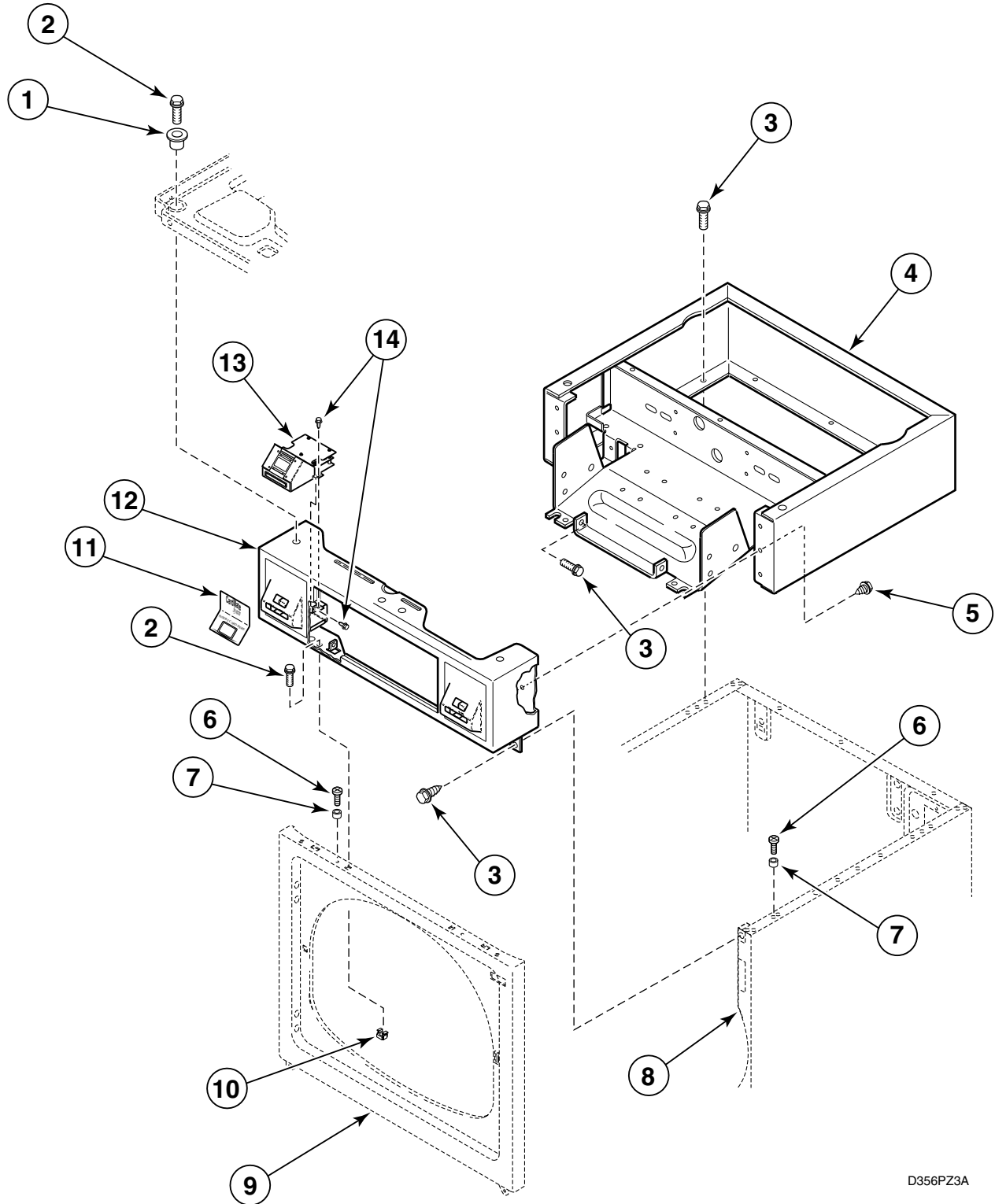
Models HSE617*C2802, HSE617*C2902 and HSG619*C0902

REF	PART #	DESCRIPTION	COMMENTS
1	501307	Washer	
2	502431	Screw	
3	503661	Screw	
4	503541*	Control Cabinet Wrapper	
5	503688	Screw	
6	32671	Screw	
7	56079	Locator	
8	500001*P	Cabinet (Lower Dryer)	
9	503656*	Front Panel (Lower Dryer)	
10	80077	Caged Nut	
11	505227*	Control Cabinet Front	

* Add Letter To Designate Color. L - Almond W - White

Control Cabinet (Card Reader Installed)

Models HSE717*A2802, HSE717*A2902, HSE717*C2802, HSE717*C2902, HSG719*A0902 and HSG719*C0902



D356PZ3A

* Add Letter To Designate Color. L - Almond W - White

Control Cabinet (Card Reader Installed)

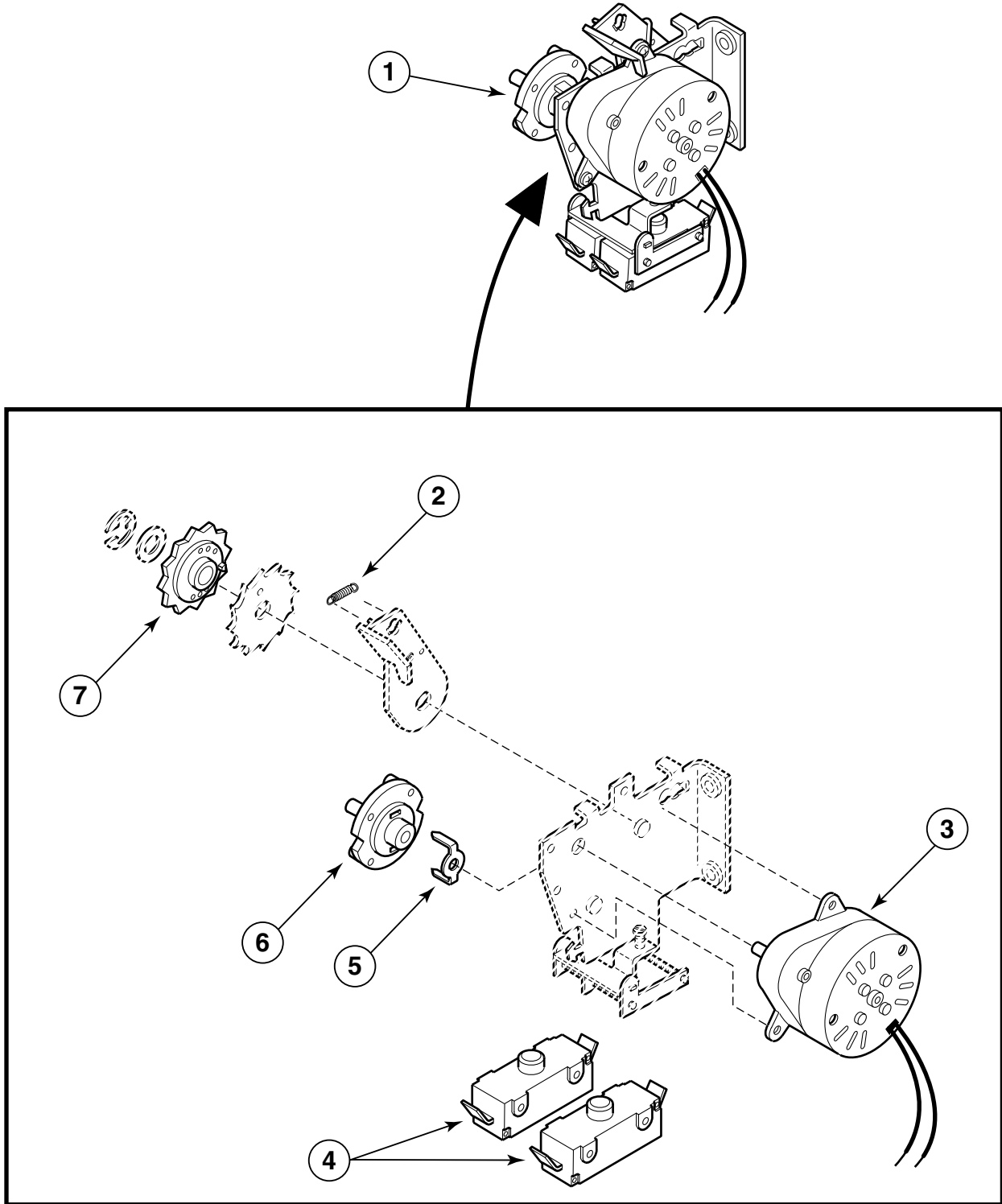
Models HSE717*A2802, HSE717*A2902, HSE717*C2802, HSE717*C2902, HSG719*A0902 and HSG719*C0902

REF	PART #	DESCRIPTION	COMMENTS
1	501307	Washer	
2	502431	Screw	
3	503661	Screw	
4	503541*	Control Cabinet Wrapper	
5	503688	Screw	
6	32671	Screw	
7	56079	Locator	
8	500001*P	Cabinet (Lower Dryer)	
9	503656*	Front Panel (Lower Dryer)	
10	80077	Caged Nut	
11	38192	Card Reader Instruction Overlay	
12	503428*	Control Cabinet Front	
13	38194	Card Reader	
14	503661	Screw	

* Add Letter To Designate Color. L - Almond W - White

Two Switch Timer

Models HSE117*A2802, HSE117*A2902, HSE117*C2802, HSE117*C2902, HSG119*A0902 and HSG119*C0902



D362PZ3A

* Add Letter To Designate Color. L - Almond W - White

Two Switch Timer

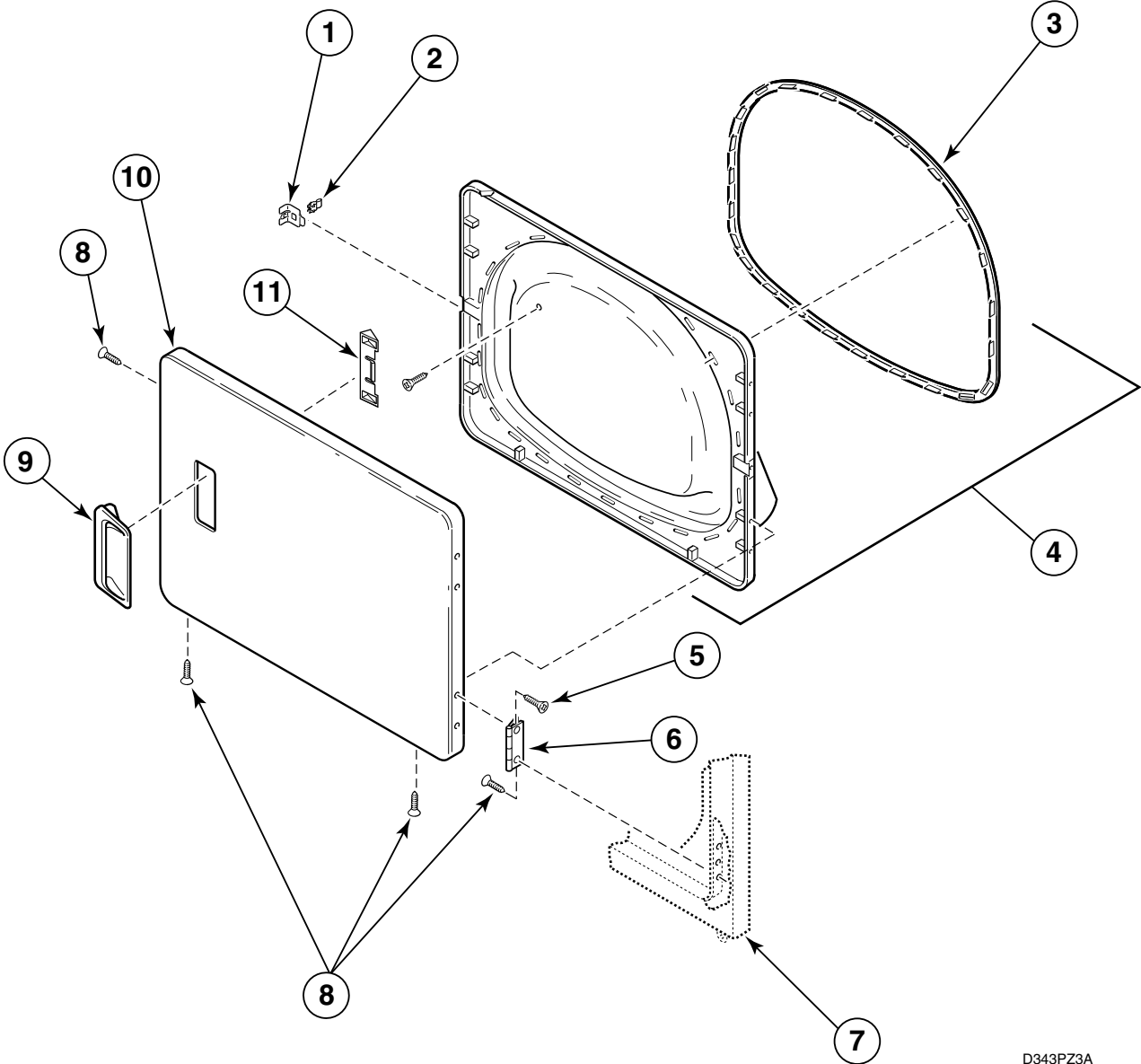
Models HSE117*A2802, HSE117*A2902, HSE117*C2802, HSE117*C2902, HSG119*A0902 and HSG119*C0902

REF	PART #	DESCRIPTION	COMMENTS
1	59228	Timer Assembly	
2	53244	Pawl Spring	
3	53235P	Timing Motor	
4	53236	Switch	
5	M400754	Timing Cam Drive	
6	53240	Timing Cam	60 Minute (3 Pins)
	53241	Timing Cam	45 Minute (4 Pins)
	53242	Timing Cam	30 Minute (6 Pins)
	53243	Timing Cam	20 Minute (9 Pins)
7	53239	Ratchet Wheel	

* Add Letter To Designate Color. L - Almond W - White

Loading Door

Model SSE007*A3000



D343PZ3A

* Add Letter To Designate Color. L - Almond W - White

Loading Door

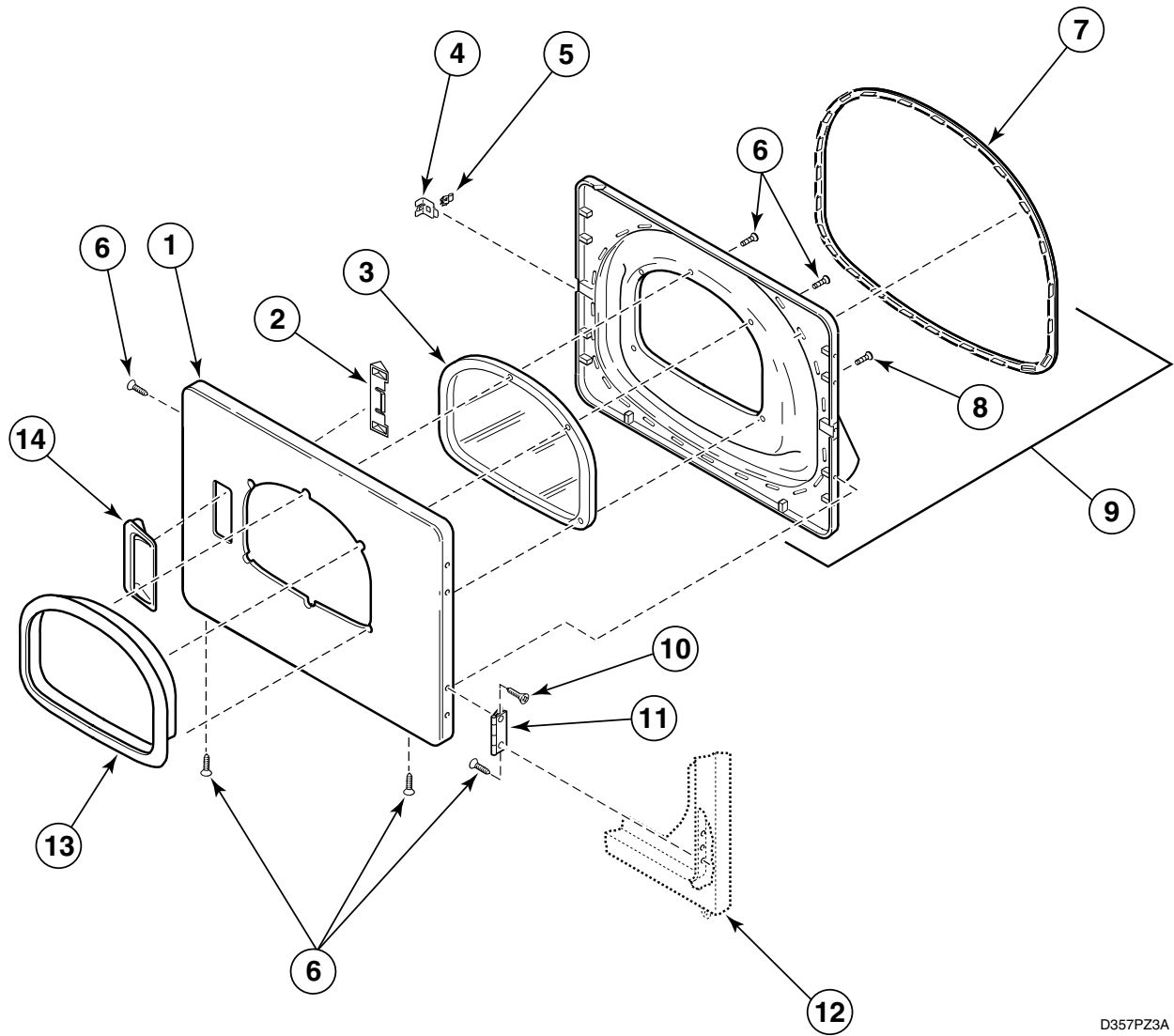
Model SSE007*A3000

REF	PART #	DESCRIPTION	COMMENTS
1	500223	Door Striker Bracket	
2	500039	Door Striker	
3	503645	Door Seal	
4	504599W	Inner Door Panel And Seal Assembly	
5	505295	Screw	
6	503676	Door Hinge	
7	503656*	Front Panel	
8	500226	Screw	
9	503646*	Door Pull	
10	503654*	Outer Door Panel	
11	505328	Wedge	

* Add Letter To Designate Color. L - Almond W - White

Loading Door With Window

All models except SSE007*A3000



D357PZ3A

* Add Letter To Designate Color. L - Almond W - White

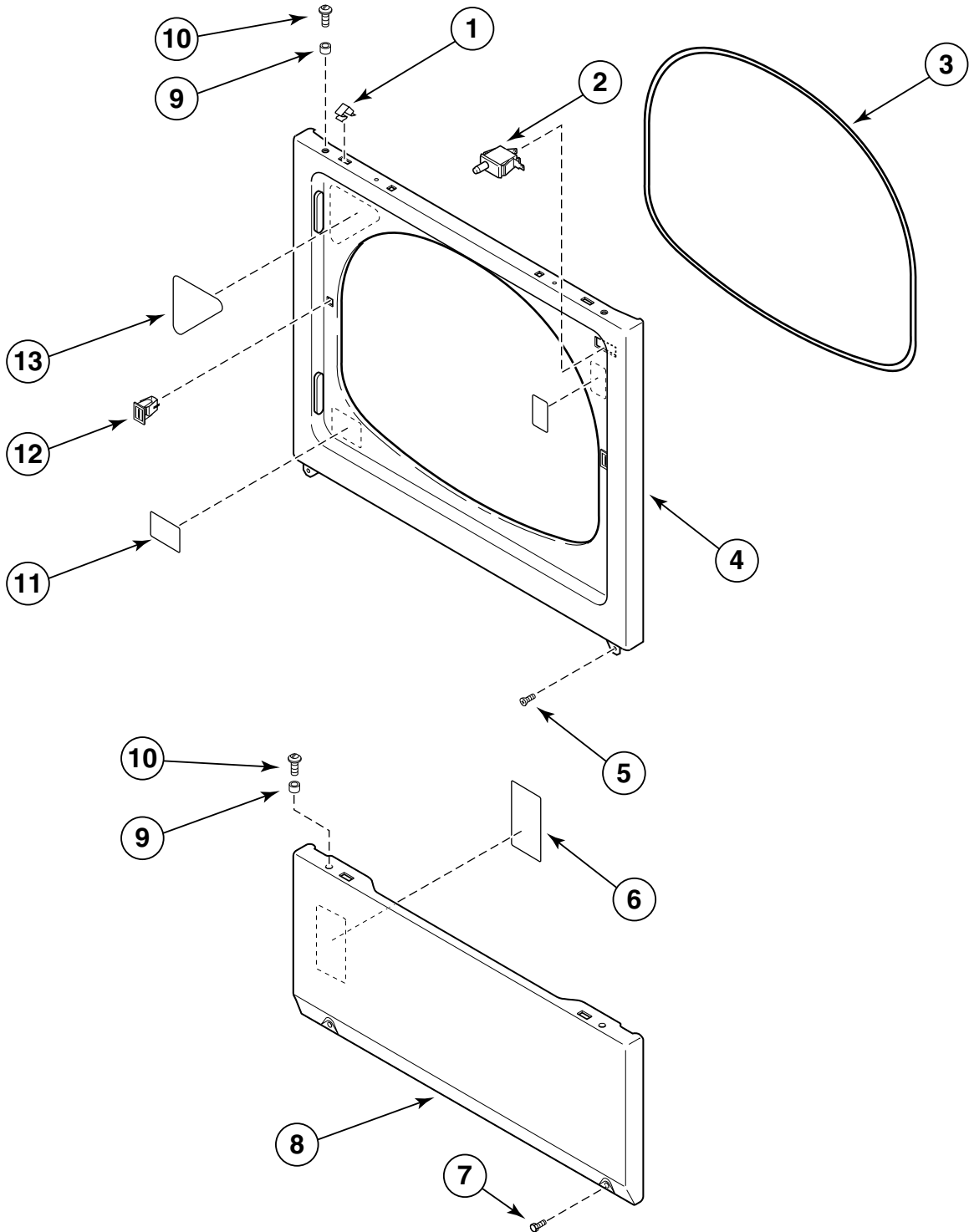
Loading Door With Window

All models except SSE007*A3000

REF	PART #	DESCRIPTION	COMMENTS
1	505163*	Dryer Door	
2	505328	Wedge	
3	503982	Window	
4	500223	Door Striker Bracket	
5	500039	Door Striker	
6	500226	Screw	
7	503645	Door Seal	
8	500227	Screw	
9	503871W	Inner Door Panel And Seal Assembly	
10	505295	Screw	
11	503676	Door Hinge	
12	503656*	Front Panel	
13	503981*	Window Trim	
14	503646*	Door Pull	

* Add Letter To Designate Color. L - Almond W - White

Access Panel, Front Panel and Seal



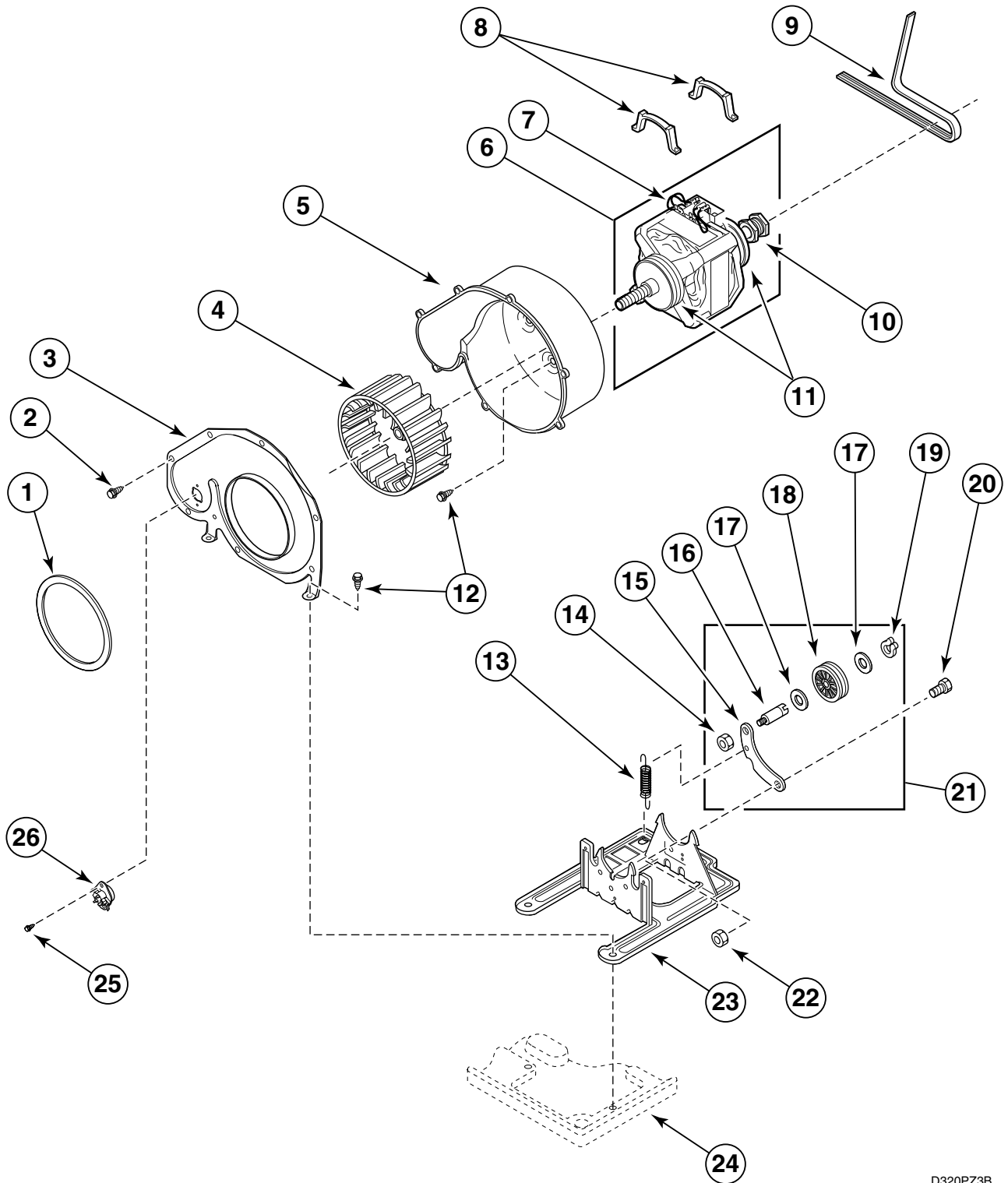
D313PZ3A

Access Panel, Front Panel and Seal

REF	PART #	DESCRIPTION	COMMENTS
	282P4	Torx Bit	Use with 62853 Screw
	24161	Torx Bit Holder	Use with 62853 Screw
1	28835	Hold-down Clip	Upper Dryer only
2	504570	Door Switch	
3	504005	Front Panel Seal	
4	503656*	Front Panel	
5	503661	Screw	
6	502791	Label	
7	33562	Slotted Hex Head Screw	
	62853	Torx Head Screw	Optional for Added Security
8	503796*	Access Panel	
9	56079	Locator	
10	32671	Screw	
11	502804	Label	Models SSE117*A4350, SSE417*A4350, SSG119*A3058 and SSG419*A3058
12	54660	Door Catch	
13	500477	Label	Models HSE117*A2802, HSE117*A2902, HSE117*C2802, HSE117*C2902, HSE517*A2802, HSE517*A2902, HSE517*C2802, HSE517*C2902, HSE617*C2802, HSE617*C2902, HSE717*A2802, HSE717*A2902, HSE717*C2802, HSE717*C2902, HSE119*A0902, HSG119*C0902, HSG519*A0902, HSG519*C0902, HSG619*C0902, HSG719*A0902 and HSG719*C0902
	500281	Label	Models SSE007*A3000, SSE117*A3000, SSE117*A4350, SSE117*A5412, SSE417*A3000, SSE417*A4350, SSG119*A3000, SSG119*A3058, SSG119*A5412, SSG119*A5480

* Add Letter To Designate Color. L - Almond W - White

Motor, Exhaust Fan and Belt



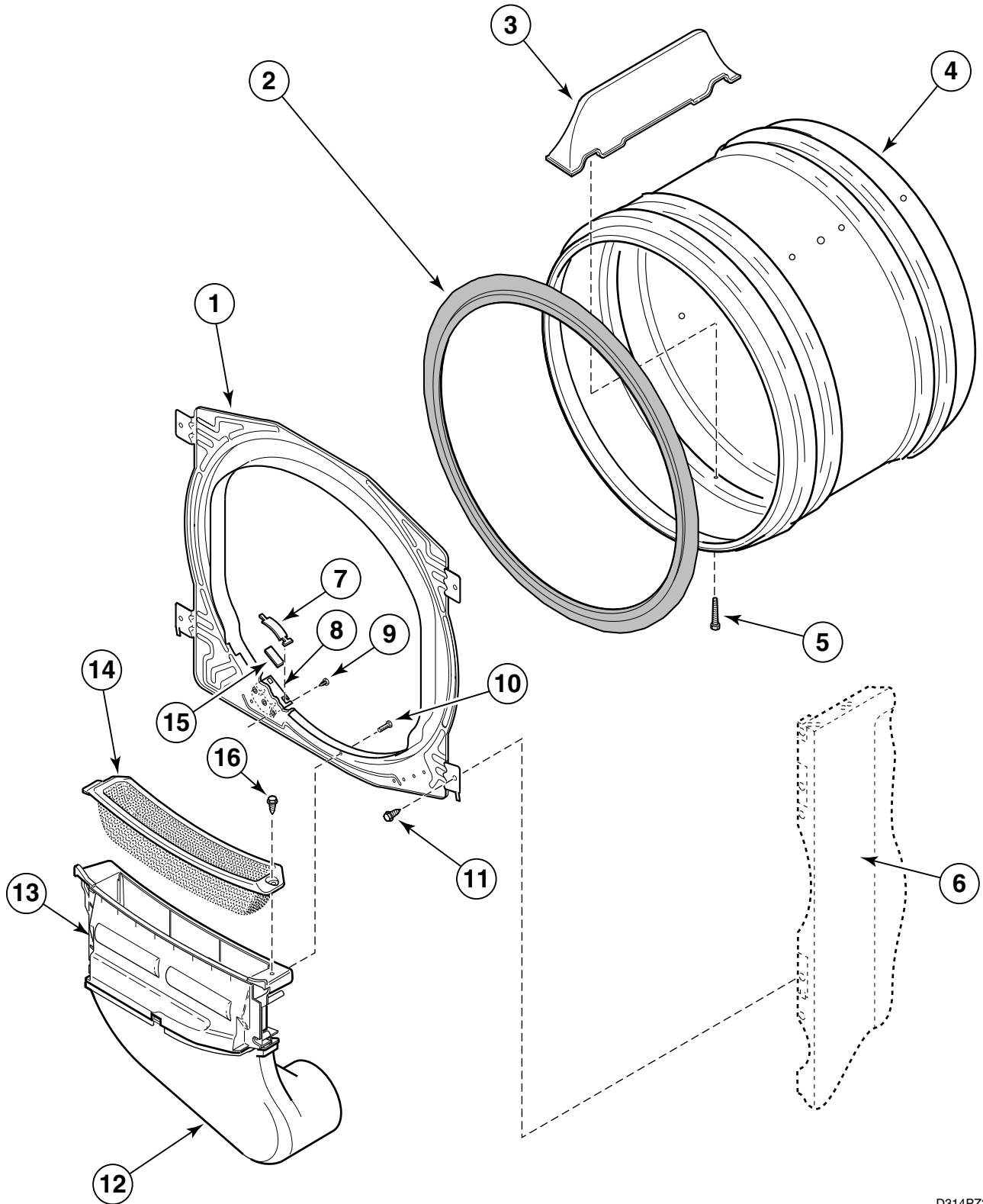
D320PZ3B

Motor, Exhaust Fan and Belt

REF	PART #	DESCRIPTION	COMMENTS
1	504018	Seal	
2	31260	Screw	
3	500078	Exhaust Fan Cover	
4	56000	Exhaust Fan Impeller	
5	56020	Exhaust Fan Housing	
6	502368P	Motor Assembly	120 Volts, 60 Hertz - Includes 500011 Motor Pulley and 501218 Motor Switch. All models except SSE007*A3000, SSE117*A3000, SSE117*A4350, SE117*A5412, SSE417*A3000, SSE417*A4350, SSG119*A3000, SSG119*A3058, SSE119*A5412, SSG119*A5480, SSG419*A3000 and SSG419*A3058
	501212	Motor Assembly	240 Volts, 50 Hertz - Models SSE007*A3000, SSE117*A3000, SSE117*A4350, SSE417*A3000, SSE417*A4350, SSG119*A3000, SSG119*A3058, SSG419*A3000 and SSG419*A3058
	501213	Motor Assembly	220 Volts, 60 Hertz - Models SSE117*A5412, SSG119*A5412 and SSG119*A5480
7	501218P	Motor Switch	Does Not Include Thermal Protector
8	58047	Motor Mounting Clamp	
9	59174	Belt	
10	500011	Motor Pulley	
11	590P3	Motor Hub Ring Kit	
12	503661	Screw	
13	56076	Spring	
14	56156	Locknut	
15	500910	Idler Lever	
16	56461	Shaft	
17	52549	Washer	
18	54414	Idler Pulley	
19	23748	Retainer Ring	
20	500824	Shoulder Screw	
21	500269	Idler Pulley And Lever Assembly	
22	52566	Lock Nut	
23	503613	Motor Mounting Bracket	
24	500070	Base	
25	33561	Screw	Use with 59500 Thermistor
26	504515	Thermostat	Models HSE117*A2802, HSE117*A2902, HSE117*C2802, HSE117*C2902, HSG119*A0902 and HSG119*C0902
	59500	Thermistor	Models HSE517*A2802, HSE517*A2902, HSE517*C2802, HSE517*C2902, HSE617*C2802, HSE617*C2902, HSE717*A2802, HSE717*A2902, HSE717*C2802, HSE717*C2902, HSG519*A0902, HSG519*C0902, HSG619*C0902, HSG719*A0902 and HSG719*C0902
	504516	Thermostat	Low (Tan/White) Models SSE007*A3000, SSE117*A3000, SSE117*A4350, SSE117*A5412, SSG119*A3000, SSG119*A3058, SSG119*A5412 and SSG119*A5480
	502366	Thermistor	Models SSE417*A3000, SSE417*A4350, SSG419*A3000 and SSG419*A3058

* Add Letter To Designate Color. L - Almond W - White

Front Bulkhead, Air Duct, Felt Seal and Cylinder



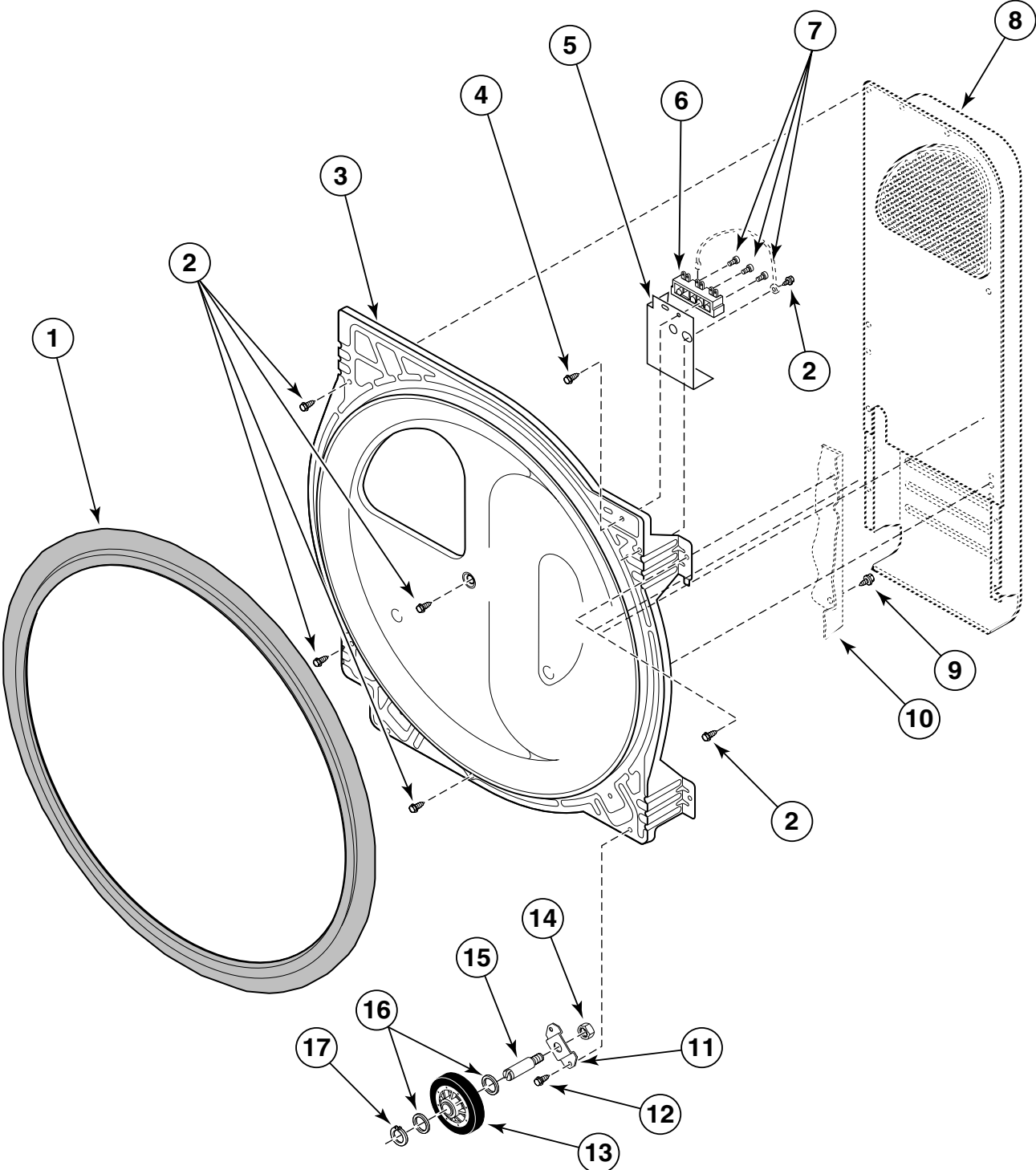
D314PZ3A

Front Bulkhead, Air Duct, Felt Seal and Cylinder

REF	PART #	DESCRIPTION	COMMENTS
	22506P	Adhesive For Cylinder Seal	
1	505058	Front Bulkhead	
2	501801	Cylinder Seal	
3	503703	Baffle	
4	504466P	Cylinder Assembly	Includes Baffles
5	62588	Screw	
6	500001*P	Cabinet	
7	503452	Cylinder Glide	Two Required per Side
8	501554	Glide Bracket	
9	504540	Rivet	
10	500226	Screw	
11	503688	Screw	
12	503626	Lower Air Duct Assembly	
13	505529	Upper Air Duct Assembly	
14	503980	Lint Filter	
15	503453	Felt Pad	
16	501285	Screw	

* Add Letter To Designate Color. L - Almond W - White

Rear Bulkhead, Felt Seal, Cylinder Roller and Terminal Block



D291PZ3B

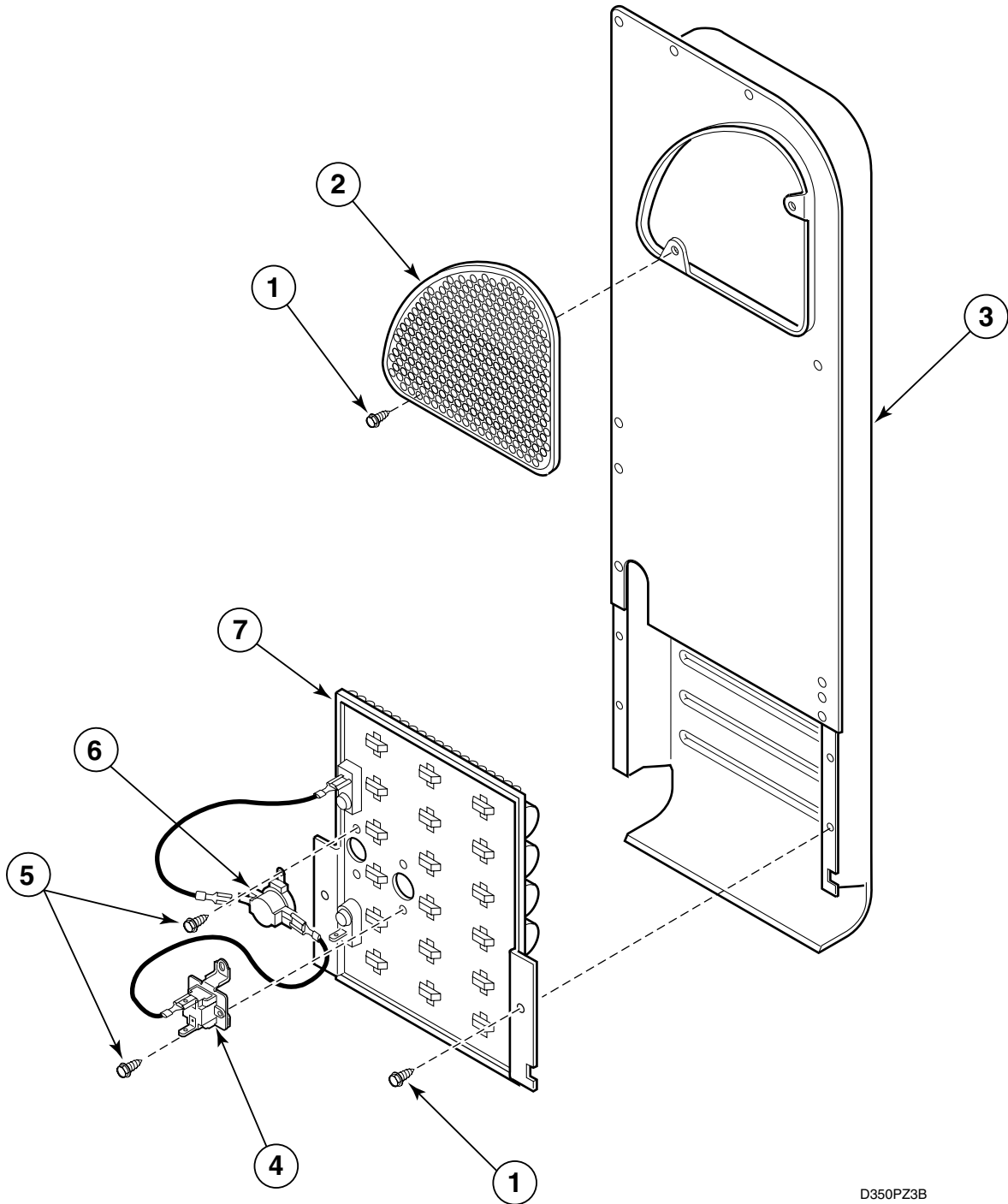
Rear Bulkhead, Felt Seal, Cylinder Roller and Terminal Block

REF	PART #	DESCRIPTION	COMMENTS
	22506P	Adhesive For Cylinder Seal	
1	501801	Cylinder Seal	
2	503661	Screw	
3	505244	Rear Bulkhead	
4	501285	Screw	
5	504185	Shield	Electric Models only
6	61923P	Terminal Block	Includes Three 61199 Screws – Electric Models
7	501285	Screw	
8	503607P	Heater Duct Assembly	Includes 500820 Outlet Cover
9	501668	Screw	
10	500001*P	Cabinet	
11	500062	Roller Bracket	
12	503688	Screw	
13	500214P	Cylinder Roller	
14	56156	Locknut	
15	56461	Shaft	
16	52549	Washer	
17	23748	Retainer Ring	

* Add Letter To Designate Color. L - Almond W - White

Heater Duct and Element Assembly

Electric Model Dryers



D350PZ3B

Heater Duct and Element Assembly

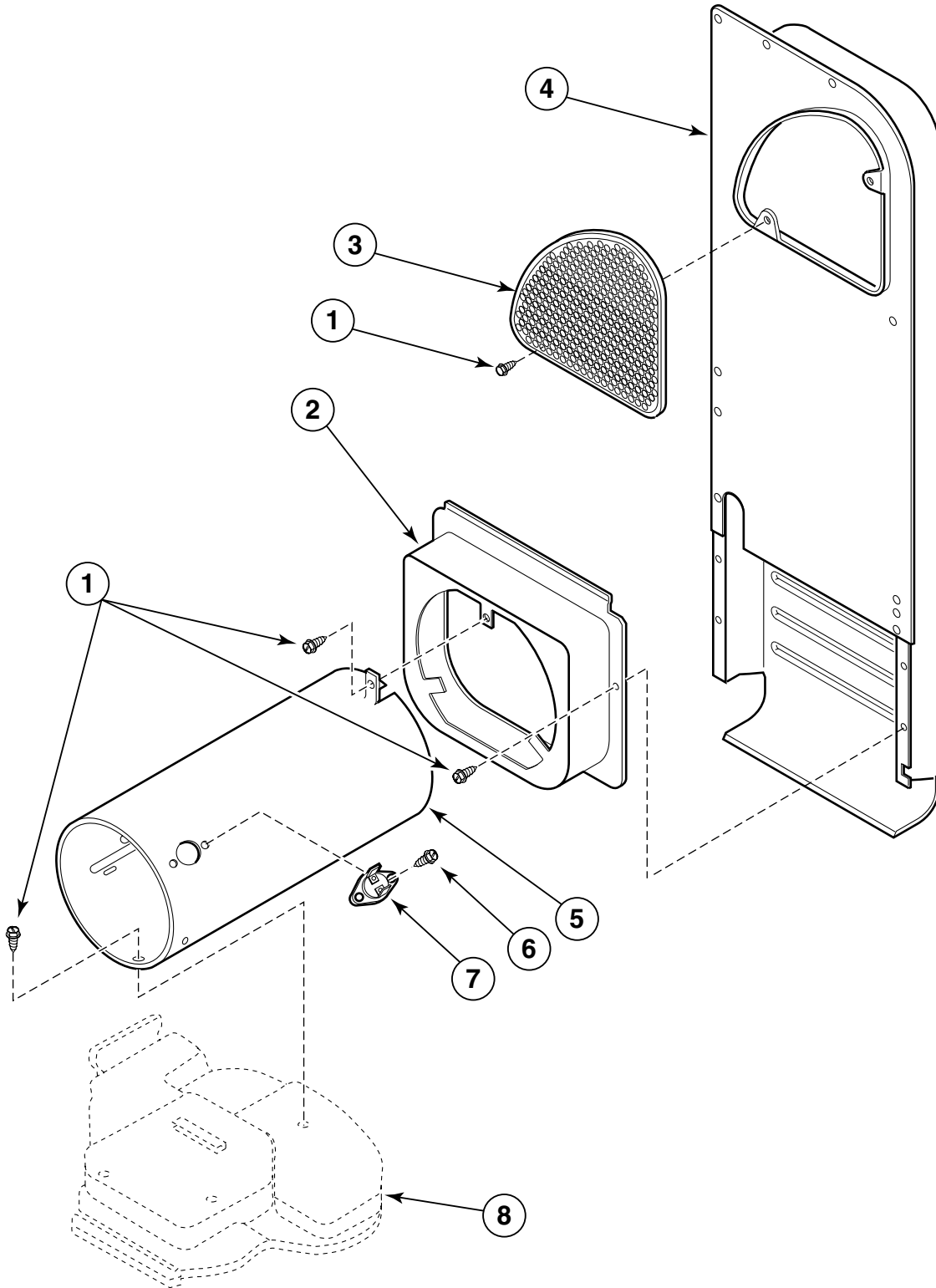
Electric Model Dryers

REF	PART #	DESCRIPTION	COMMENTS
1	503688	Screw	
2	500820	Outlet Cover	
3	503607P	Heater Duct Assembly	Includes 500820 Outlet Cover
4	62600	Thermal Fuse	
5	23222	Screw	
6	62641	Limit Thermostat	
7	61195	Heater Assembly	Models HSE117*A2802, HSE117*C2802, HSE517*A2802, HSE517*C2802, HSE617*C2802, HSE617*C2902, HSE717*A2802, HSE717*C2820 and SSE117*A5412
	504583	Heater Assembly	Models HSE117*A2902, HSE117*C2902, HSE517*A2902, HSE517*C2902, HSE617*C2902, HSE717*A2902 and HSE717*C2902
	61514	Heater Assembly	Models SSE007*A3000, SSE117*A3000 and SSE417*A3000
	61515	Heater Assembly	Models SSE117*A4350 and SSE417*A4350

* Add Letter To Designate Color. L - Almond W - White

Heater Duct and Limit Thermostat

Models HSG119*A0902, HSG119*C0902, HSG519*A0902, HSG519*C0902, HSG619*C0902, HSG719*A0902, HSG719*C0902, SSG119*A3000, SSG119*A5412, SSG119*A5480 and SSG419*A3000



D315PZ3B

* Add Letter To Designate Color. L - Almond W - White

Heater Duct and Limit Thermostat

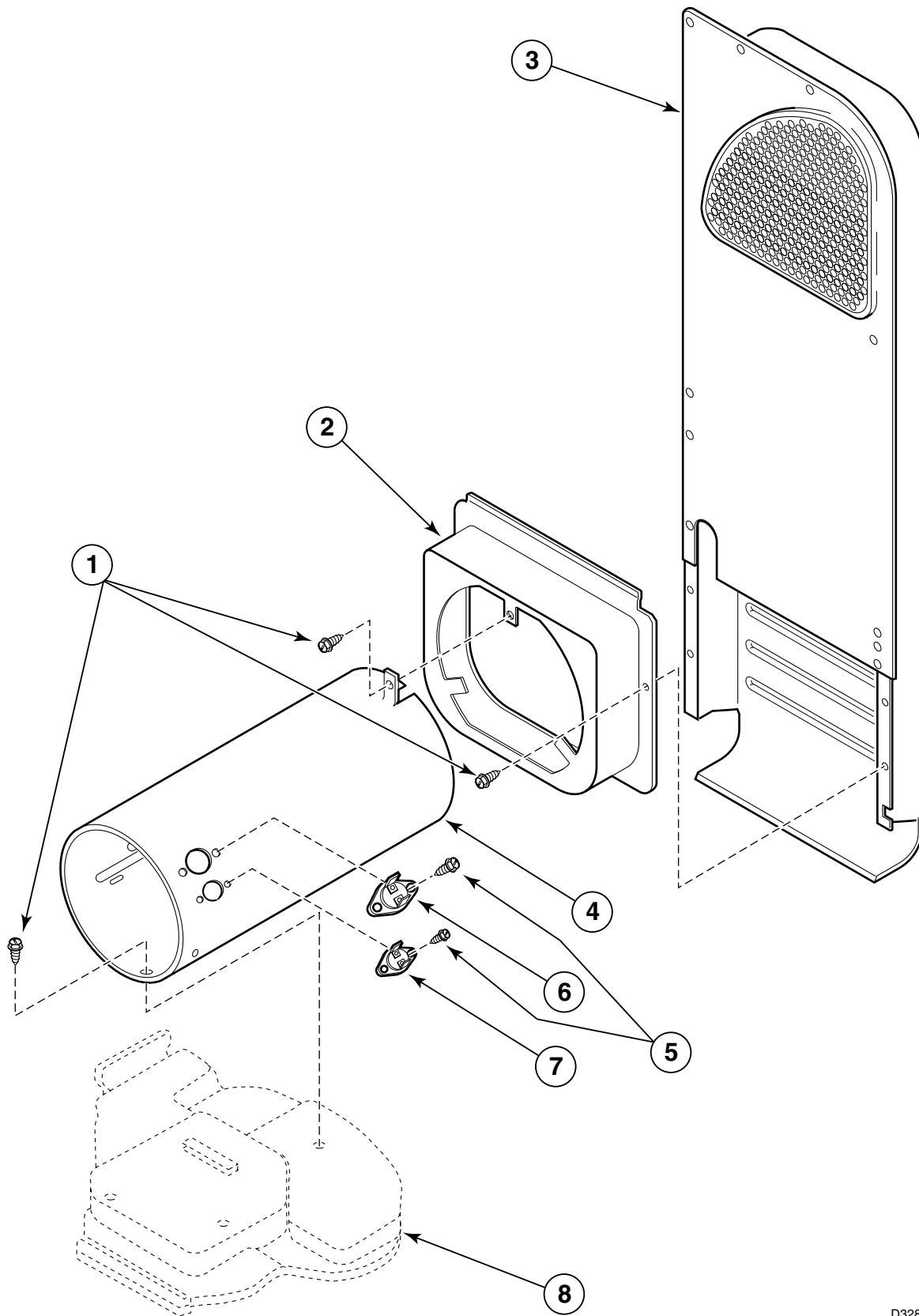
Models HSG119*A0902, HSG119*C0902, HSG519*A0902, HSG519*C0902, HSG619*C0902, HSG719*A0902,
HSG719*C0902, SSG119*A3000, SSG119*A5412, SSG119*A5480 and SSG419*A3000

REF	PART #	DESCRIPTION	COMMENTS
1	503688	Screw	
2	500122	Heat Shroud	
3	500820	Outlet Cover	
4	503607P	Heater Duct Assembly	Includes 500820 Outlet Cover
5	61888	Combustion Duct	
6	51782	Screw	
7	61886	Limit Thermostat	Color Code "Black"
8	500070	Base	

* Add Letter To Designate Color. L - Almond W - White

Heater Duct, Limit Thermostat and Thermostat

Models SSG119*A3058 and SSG419*A3058



D328PZ3A

* Add Letter To Designate Color. L - Almond W - White

Heater Duct, Limit Thermostat and Thermostat

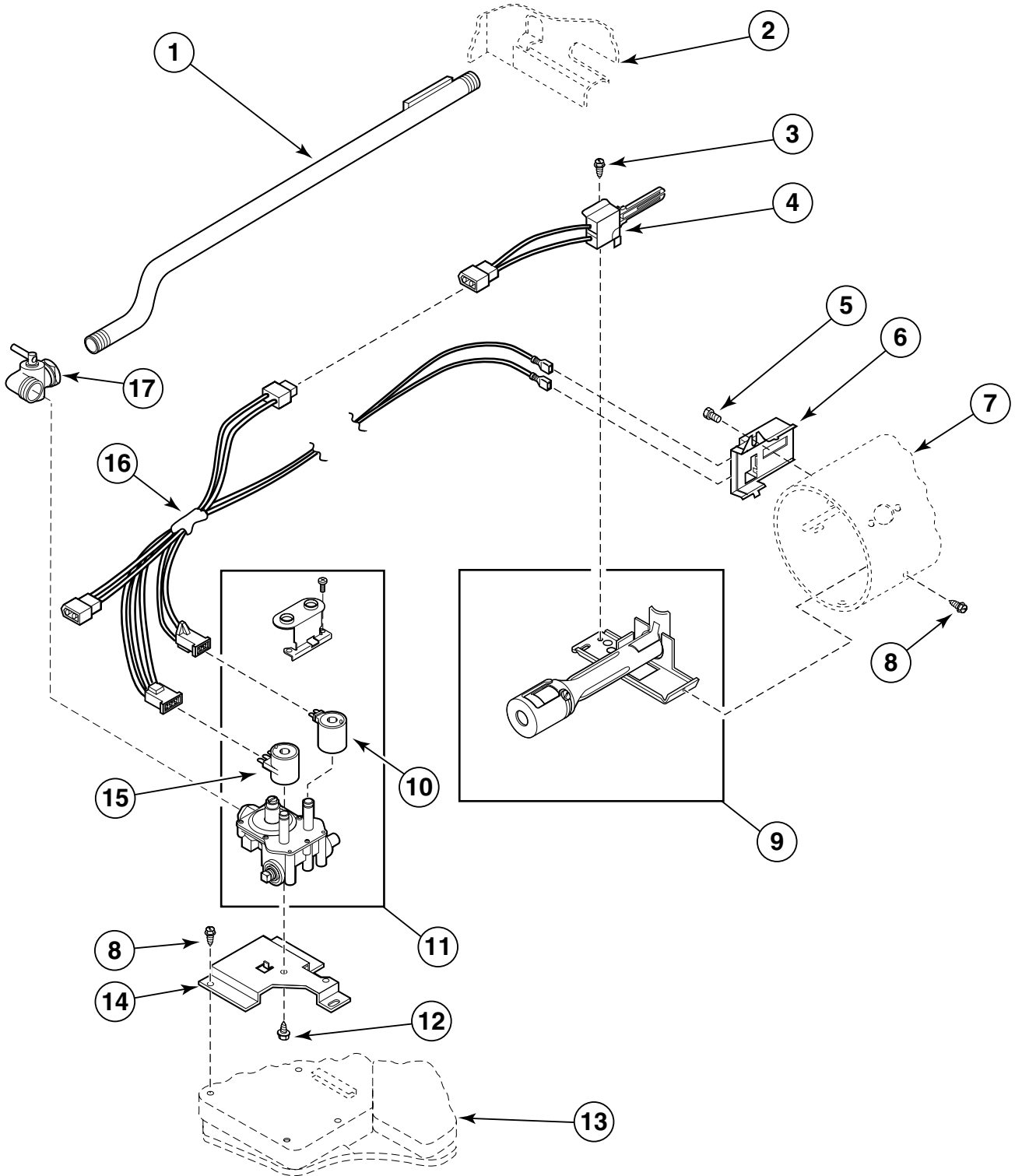
Models SSG119*A3058 and SSG419*A3058

REF	PART #	DESCRIPTION	COMMENTS
1	503688	Screw	
2	500122	Heat Shroud	
3	503607P	Heater Duct Assembly	
4	504809	Combustion Duct	Includes thermostats
5	51782	Screw	
6	61886	Limit Thermostat	
7	62034	Thermostat	
8	500070	Base	

* Add Letter To Designate Color. L - Almond W - White

Gas Valve and Igniter

All Gas Model Dryers Except SSG119*A3058 and SSG419*A3058



D303PZ3A

* Add Letter To Designate Color. L - Almond W - White

Gas Valve and Igniter

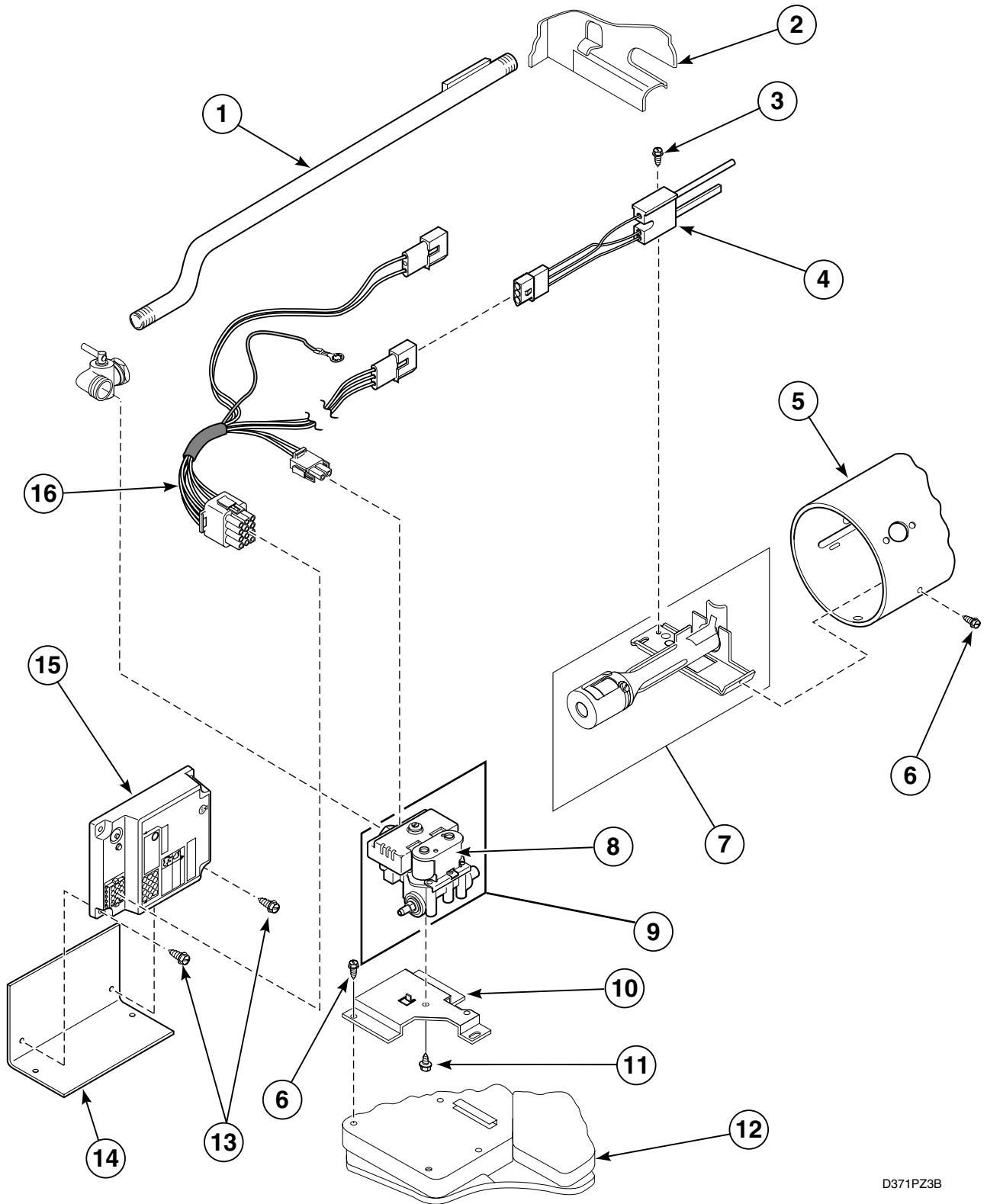
All Gas Model Dryers Except SSG119*A3058 and SSG419*A3058

REF	PART #	DESCRIPTION	COMMENTS
	458P3	Gas Burner Conversion Kit	Used to convert dryers from Natural/Mixed to LP Gas
	459P3	Gas Burner Conversion Kit	Used to convert dryers from LP to Natural/Mixed Gas
1	500647	Lead-in Pipe Assembly	
2	500001*P	Cabinet	
3	51782	Screw	
4	60868	Igniter And Bracket Assembly	
5	23222	Screw	
6	56231	Sensor	
7	61888	Combustion Duct	
8	503688	Screw	
9	56234	Burner Assembly	
10	58804B	Secondary Coil	60 Hertz
10	59063B	Secondary Coil	50 Hertz
11	60353	Gas Valve Assembly	60 Hertz
11	60443	Gas Valve Assembly	50 Hertz
12	56124	Screw	
13	500070	Base	
14	500821	Mounting Bracket	
15	58804A	Holding And Booster Coil	60 Hertz
15	59063A	Holding And Booster Coil	50 Hertz
16	60641	Wire Harness	
17	56229	Shut-off Valve	

* Add Letter To Designate Color. L - Almond W - White

Gas Valve, Igniter and Ignition Control

Models SSG119*A3058 and SSG419*A3058



D371PZ3B

* Add Letter To Designate Color. L - Almond W - White

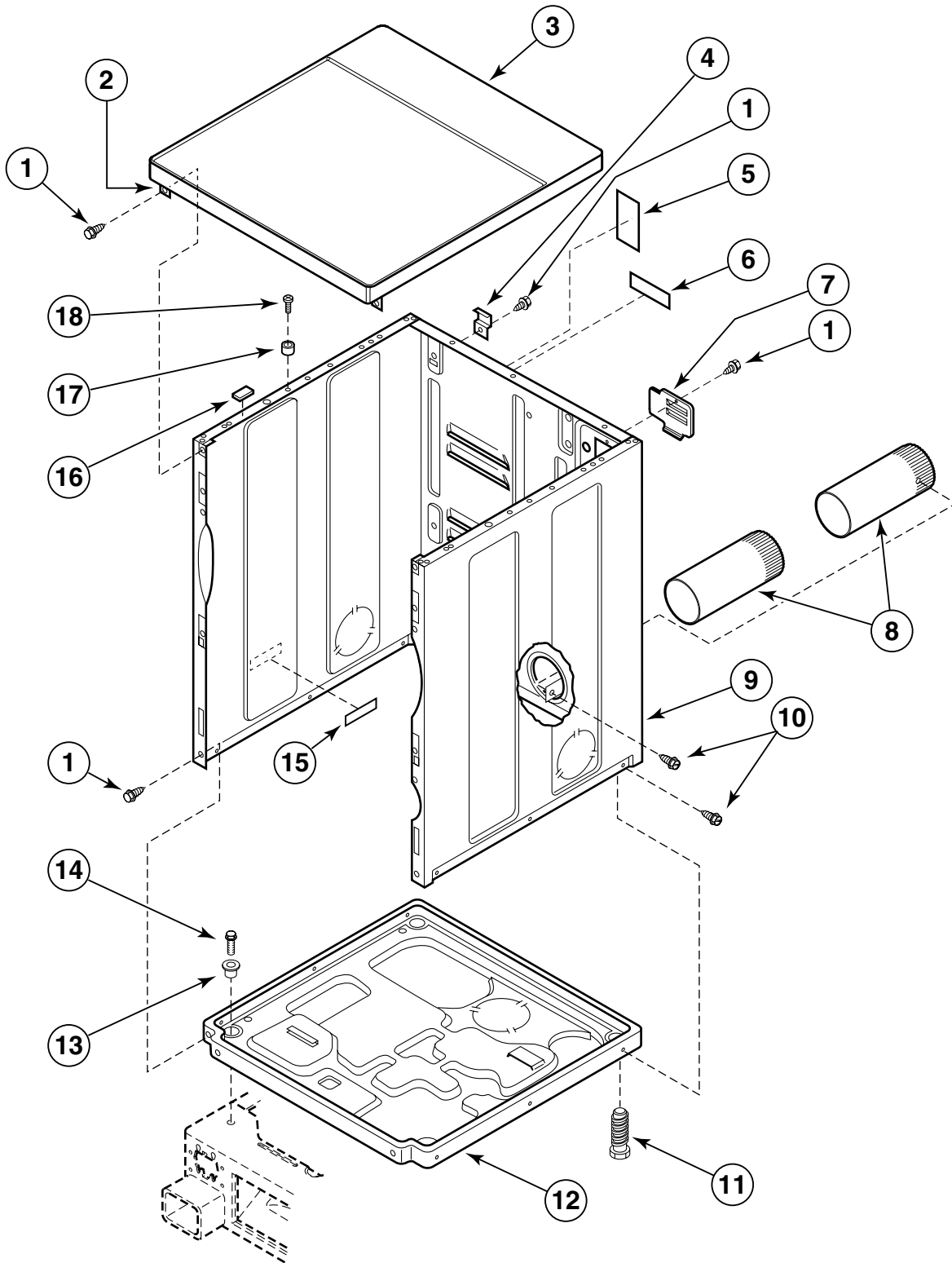
Gas Valve, Igniter and Ignition Control

Models SSG119*A3058 and SSG419*A3058

REF	PART #	DESCRIPTION	COMMENTS
	649P3	Gas Burner Conversion Kit	Used to convert dryers from Natural/Mixed to LP Gas
	650P3	Gas Burner Conversion Kit	Used to convert dryers from LP to Natural/Mixed Gas
1	500647	Lead-in Pipe Assembly	
2	500001*P	Cabinet	
3	51782	Screw	
4	502995	Igniter Assembly	
5	504809	Combustion Duct	
6	503688	Screw	
7	56234	Burner Assembly	
8	502423A	Gas Valve Coil	240 volts, 50 Hertz
9	502478	Gas Valve Assembly	
10	500821	Mounting Bracket	
11	56124	Screw	
12	500070	Base	
13	502535	Screw	
14	502425	Bracket	
15	502994	Ignition Control	
16	502609	Wire Harness	

*Add Letter To Designate Color. L - Almond W - White

Cabinet, Exhaust Duct and Base (Upper Dryer)



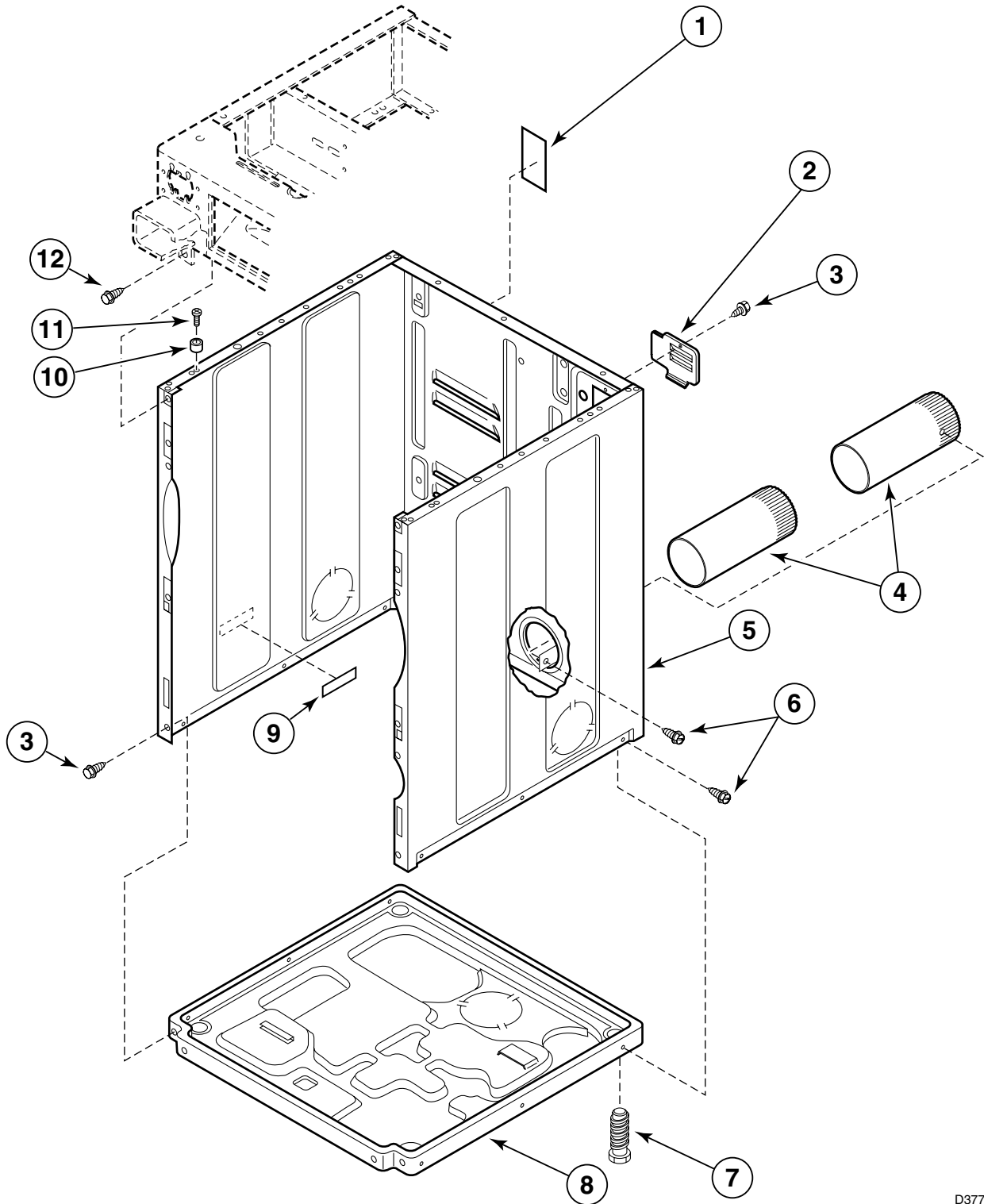
D376PZ3A

Cabinet, Exhaust Duct and Base (Upper Dryer)

REF	PART #	DESCRIPTION	COMMENTS
1	503661	Screw	
2	500084	Bracket	
3	500215*P	Cabinet Top	
4	500003	Hinge	
5	500670	Label	Gas Models
6	58186	Label	
7	500114	Access Plate	
8	500064	Exhaust Duct	
9	500001*P	Cabinet	
10	503688	Screw	
11	500101	Leveling Leg	Rear only
12	500070	Base	
13	501307	Washer	
14	502431	Screw	
15	61294	Label	Electric Models
16	56128	Bumper	
17	56079	Locator	
18	32671	Screw	

* Add Letter To Designate Color. L - Almond W - White

Cabinet, Exhaust Duct and Base (Lower Dryer)



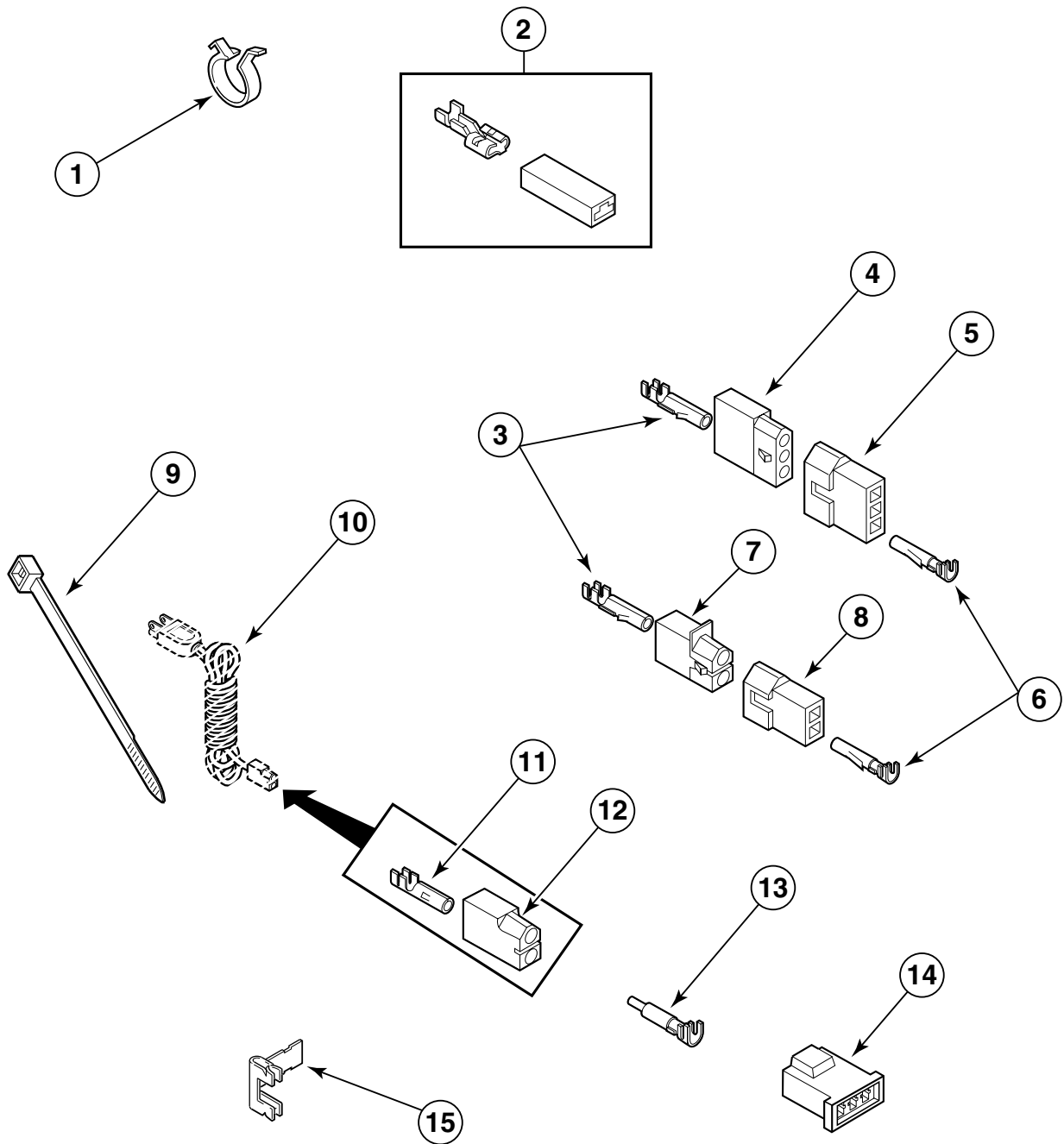
D377PZ3A

Cabinet, Exhaust Duct and Base (Lower Dryer)

REF	PART #	DESCRIPTION	COMMENTS
1	500670	Label	Gas Models
2	500114	Access Plate	
3	503661	Screw	
4	500064	Exhaust Duct	
5	500001*P	Cabinet	
6	503688	Screw	
7	500101	Leveling Leg	
8	500070	Base	
9	61294	Label	Electric Models
10	56079	Locator	
11	32671	Screw	
12	33562	Screw	

* Add Letter To Designate Color. L - Almond W - White

Terminal Block and Terminals



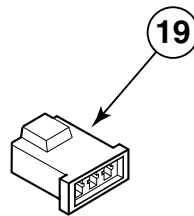
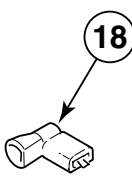
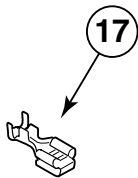
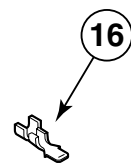
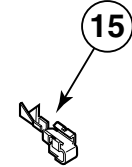
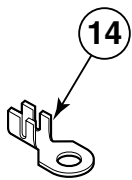
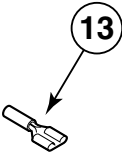
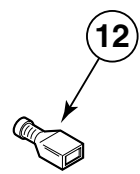
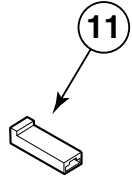
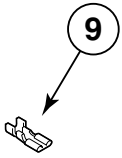
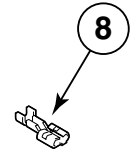
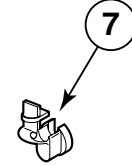
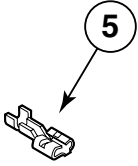
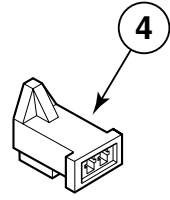
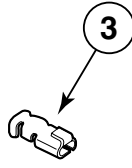
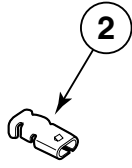
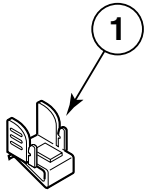
D372PZ3A

Terminal Block and Terminals

REF	PART #	DESCRIPTION	COMMENTS
1	504034	Wire Clip	
2	00237	Insulated 1/4 Inch Spade Terminal	(1) 12 Gauge Wire or (2) 18 Gauge Wires
3	00117	Female Socket Terminal	
4	23039	Terminal Block Receptacle	3 Circuit
5	23040	Terminal Block Plug	3 Circuit
6	00116	Male Pin Terminal	
7	56451	Terminal Block Receptacle	2 Circuit
8	56448	Terminal Block Plug	2 Circuit
9	55881	Harness Strap	
10	59308	Power Cord	Gas Models
11	00130	Female Socket Terminal	
12	56265	Terminal Block Receptacle	2 Circuit
13	00127	Male Pin Terminal	
14	58800	Terminal Block	3 Circuit Connector
15	505102	Harness Restraining Clip	

* Add Letter To Designate Color. L - Almond W - White

Terminals



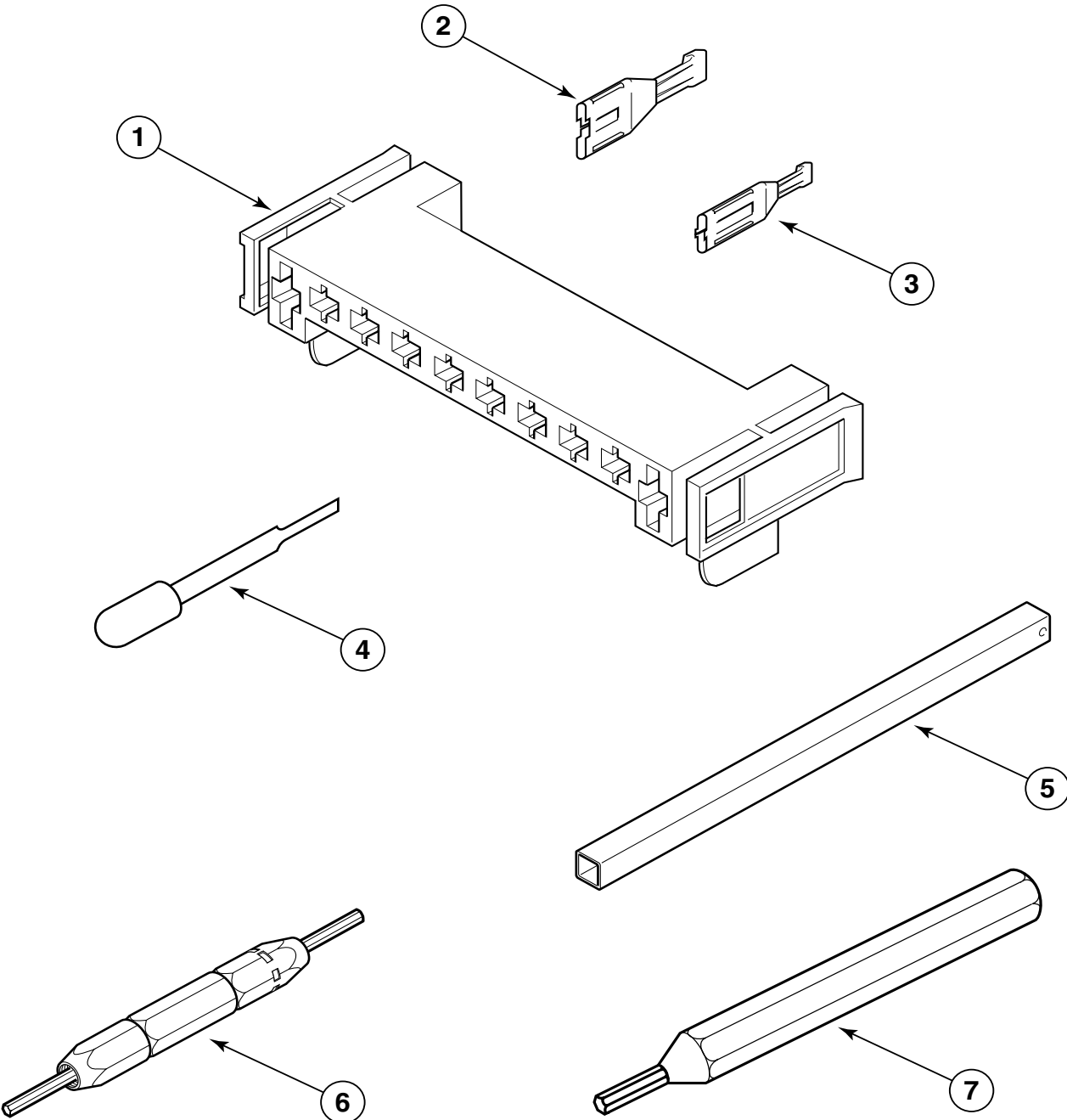
D326PZ3A

Terminals

REF	PART #	DESCRIPTION	COMMENTS
1	00161	Ground Clip	
2	00189	Spade Terminal	
3	00190	Terminal	Receptacle Connector
4	58799	Terminal Block	2 Circuit Connectors
5	00119	Spade Terminal	1/4 Inch – (1) 18 Gauge Wire
	00121	Spade Terminal	1/4 Inch – (2) 18 Gauge Wires or (1) 12 Gauge Wire
	00245	Spade Terminal	1/4 Inch – (1) 22 Gauge Wire
6	00124	Spade Terminal	3/16 Inch – (1) 18 Gauge Wire – .020 Tab
	00156	Spade Terminal	3/16 Inch – Thermostat Wire – .032 Tab
	00209	Spade Terminal	3/16 Inch – (2) 18 Gauge Wires – .020 Tab
7	21903	Strain Relief	
8	00346	Terminal	
9	00347	Terminal	
10	00115	Lock In Spade Terminal	1/4 Inch – (1) 18 Gauge Wire
	00122	Lock In Spade Terminal	1/4 Inch – (2) 18 Gauge Wires or (1) 12 Gauge Wire
11	90789	Connector	
12	00163	Insulated Spade Terminal	1/4 Inch
	00165	Insulated Spade Terminal	3/16 Inch
13	00214	Barrel Insulated Spade Terminal	1/4 Inch – 18 Gauge Wire
	00215	Barrel Insulated Spade Terminal	1/4 Inch – 12 Gauge Wire
14	00110	Ring Terminal #10	(1) 18 Gauge Wire
	00111	Ring Terminal #10	(2) 18 Gauge Wires or (1) 12 Gauge Wire
15	00114	Spade Terminal	1/4 Inch – Double Connector
16	00138	Male Tab Terminal	1/4 Inch – (1) 18 Gauge Wire
	00139	Male Tab Terminal	1/4 Inch – (2) 18 Gauge Wires or (1) 12 Gauge Wire
17	00344	Terminal	
18	00345	Terminal	
19	58800	Terminal Block	3 Circuit Connector

* Add Letter To Designate Color. L - Almond W - White

Motor Connection Block, Terminal Extractor Tools



D319PZ3A

Motor Connection Block, Terminal Extractor Tools

REF	PART #	DESCRIPTION	COMMENTS
1	500338	Motor Connection Block	Molex – 10 Circuit
2	00255	Spade Terminal	1/4 Inch – For (1) 12 Gauge Wire
	00256	Spade Terminal	1/4 Inch – For (1) or (2) 18 Gauge Wires
3	00188	Molex Terminal	For One or Two Wire Applications
4	283P4	Terminal Extractor Tool	For Use on Molex Connectors
5	310P4	Ratchet Extension Tool	1/4 Inch – For Coin Drop Installation
6	190P4	Terminal Extractor Tool	For Use on Electric Dryer Terminals
7	128P4	Terminal Extractor Tool	For Use on Gas Dryer Terminals

* Add Letter To Designate Color. L - Almond W - White

Strain Relief, Adapter, Power Cord

MODEL NUMBER	STRAIN RELIEF	ADAPTER	POWER CORD
HSE117*A2802	52151	–	–
HSE117*A2902	52151	–	–
HSE117*C2802	52151	–	–
HSE117*C2902	52151	–	–
HSE517*A2802	52151	–	–
HSE517*A2902	52151	–	–
HSE517*C2802	52151	–	–
HSE517*C2902	52151	–	–
HSE617*C2802	52151	–	–
HSE617*C2902	52151	–	–
HSE717*A2802	52151	–	–
HSE717*A2902	52151	–	–
HSE717*C2802	52151	–	–
HSE717*C2902	52151	–	–
HSG119*A0902	38384	502496	–
HSG119*C0902	38384	502496	–
HSG519*A0902	–	502496	–
HSG519*C0902	–	502496	–
HSG619*C0902	–	502496	–
HSG719*A0902	–	502496	–
HSG719*C0902	–	502496	–
SSE007*A3000	–	–	–
SSE117*A3000	–	–	–
SSE117*A4350	52151	502496	61605
SSE117*A5412	–	–	–
SSE417*A3000	–	–	–
SSE417*A4350	52151	502496	61605
SSG119*A3000	38384	–	59308
SSG119*A3058	60298	502496	61604
SSG119*A5412	38384	–	59308
SSG119*A5480	38384	–	59308
SSG419*A3000	–	–	–
SSG419*A3058	60298	502496	61604

* Add Letter To Designate Color. L - Almond W - White

Wire Harnesses and Wires

Individual wires are not available separately. Order complete wire harness, or order wire by the foot. See chart at bottom of page.

MODEL NUMBER	UPPER WIRE HARNESS	LOWER WIRE HARNESS	SECURITY CABINET WIRE HARNESS 1*	SECURITY CABINET WIRE HARNESS 2*
HSE117*A2802	505078	505079	500950	59296
HSE117*A2902	505078	505079	500950	59296
HSE117*C2802	505078	505079	500950	59296
HSE117*C2902	505078	505079	500950	59296
HSE517*A2802	504699	505072	501785	503680
HSE517*A2902	504699	505072	501785	503680
HSE517*C2802	504699	505072	501785	503680
HSE517*C2902	504699	505072	501785	503680
HSE617*C2802	504699	504695	501785	39492
HSE617*C2902	504699	504695	501785	39492
HSE717*A2802	504699	505072	501785	38191
HSE717*A2902	504699	505072	501785	38191
HSE717*C2802	504699	505072	501785	38191
HSE717*C2902	504699	505072	501785	38191
HSG119*A0902	505081	500965	505082	59296
HSG119*C0902	505081	500965	505082	59296
HSG519*A0902	505084	505085	501790	503680
HSG519*C0902	505084	505085	501790	503680
HSG619*C0902	505084	505085	501790	39492
HSG719*A0902	505084	505085	501790	38191
HSG719*C0902	505084	505085	501790	38191
SSE007*A3000	504703	504728	500954	-
SSE117*A3000	504703	504730	500867	59296
SSE117*A4350	504703	504730	500867	59296
SSE117*A5412	504703	504730	500867	59296
SSE417*A3000	505099	504695	501378	503680
SSE417*A4350	505099	504695	501378	503680
SSG119*A3000	505090	505091	500960	59296
SSG119*A3058	502609	502609	505128	59296
SSG119*A5412	505090	505091	500960	59296
SSG119*A5480	505090	505091	500960	59296
SSG419*A3000	505087	505088	501841	503680
SSG419*A3058	502609	502609	505130	503680

* Add Letter To Designate Color. L - Almond W - White

Order the individual wire color and gauge by the part number listed below. Order wire by the foot and terminals and connectors as required. It is recommended when applying terminals to wires that the terminals be soldered to the wires.

IMPORTANT: Always replace wires with proper gauge.

PART NUMBER	WIRE GAUGE	WIRE COLOR
45001	18 Gauge Wire	Black
45380	12 Gauge Wire	Orange

* Security Cabinet Wire Harness

1: Connects Upper Unit to Center Section (One per Stacked Unit)

2: Connects Timer, Coin Drop or Card Reader to Controls (Two per Stacked Unit)

Parts Index

A

Access Panel 503796*	29
Access Plate 500114	47, 49
Adapter 502496	56
Adhesive For Cylinder Seal 22506P	33, 35

B

Baffle 503703	33
Barrel Insulated Spade Terminal 00214	53
00215	53
Base 500070	31, 39, 41, 43, 45, 47, 49
Base (Upper Dryer) 500070	15
Belt 59174	31
Bolt 29651	15
Bracket 38087	17
500084	47
502425	45
Bumper 56128	47
Burner Assembly 56234	43, 45

C

Cabinet 500001*P	33, 35, 43, 45, 47, 49
Cabinet Top 500215*P	47
Cabinet (Lower Dryer) 500001*P	15, 17, 19, 21
Caged Nut 80077	15, 17, 19, 21
Cam 27261	5, 7, 9, 11, 13
Card Reader 38194	21
Card Reader Instruction Overlay 38192	21
Coin Funnel Kit 523P3	15
Coin Slide Guide 58181	7
Combustion Duct 504809	41, 45
61888	39, 43

Connector 90789	53
Control Cabinet 503541*	5
Control Cabinet Front 500847*	7, 15
503428*	13, 21
503761*	9, 17
505227*	11, 19
Control Cabinet Wrapper 503541*	7, 9, 11, 13, 15, 17, 19, 21
Control Knob Assembly 35182	5, 7
Control Panel 500228*	5, 7
501346*	9, 11, 13
Control Panel Overlay 504590	5, 7
Counter Kit 62113P	7
Cylinder Assembly 504466P	33
Cylinder Glide 503452	33
Cylinder Roller 500214P	35
Cylinder Seal 501801	33, 35

D

Door Catch 54660	29
Door Hinge 503676	25, 27
Door Pull 503646*	25, 27
Door Seal 503645	25, 27
Door Striker 500039	25, 27
Door Striker Bracket 500223	25, 27
Door Switch 504570	29
Dryer Door 505163*	27
Dual Coin Drop 38465	9

E

Electronic Control M411883P	9
M414050P	9, 11, 13
Exhaust Duct 500064	47, 49
Exhaust Fan Cover 500078	31

Exhaust Fan Housing 56020	31
Exhaust Fan Impeller 56000	31

F

Fabric Selector Switch 61512	5, 7
Felt Pad 503453	33
Female Socket Terminal 00117	51
00130	51
Front Bulkhead 505058	33
Front Panel 503656*	25, 27, 29
Front Panel Seal 504005	29
Front Panel (Lower Dryer) 503656*	15, 17, 19, 21

G

Gas Burner Conversion Kit 458P3	43
459P3	43
649P3	45
650P3	45
Gas Valve Assembly 502478	45
60353	43
60443	43
Gas Valve Coil 502423A	45
Glide Bracket 501554	33
Graphic Overlay 504117	9, 11, 13
Ground Clip 00161	5, 7, 53

H

Harness Restraining Clip 505102	51
Harness Strap 55881	51
Heat Shroud 500122	39, 41
Heater Assembly 504583	37
61195	37
61514	37
61515	37
Heater Duct Assembly 503607P	35, 37, 39, 41
Hex Nut 52947	5

Hinge 500003	47
Hold-down Clip 28835	29
Holding And Booster Coil 58804A	43
59063A	43

I

Idler Lever 500910	31
Idler Pulley 54414	31
Idler Pulley And Lever Assembly 500269	31
Igniter And Bracket Assembly 60868	43
Igniter Assembly 502995	45
Ignition Control 502994	45
Indicator Light 32464	5, 7
32519	7
Inner Door Panel And Seal Assembly 503871W	27
504599W	25
Insulated Spade Terminal 00163	53
00165	53
Insulated 1/4 Inch Spade Terminal 00237	51

K

Knurled Nut 24205	5, 7
----------------------------	------

L

Label 500281	29
500477	29
500670	47, 49
502791	29
502804	29
58186	47
61294	47, 49
Lead-in Pipe Assembly 500647	43, 45
Leveling Leg 500101	47, 49
Limit Thermostat 61886	39, 41
62641	37
Lint Filter 503980	33
Locator 56079	15, 17, 19, 21, 29, 47, 49

Lock Assembly	
27260	5, 7, 9, 11, 13
Lock In Spade Terminal	
00115	53
00122	53
Lock Nut	
52566	31
Locknut	
29786	9
56156	31, 35
Lockwasher	
25820	5, 7
91176	5, 7
Lower Air Duct Assembly	
503626	33

M

Male Pin Terminal	
00116	51
00127	51
Male Tab Terminal	
00138	53
00139	53
Molex Terminal	
00188	55
Motor Assembly	
501212	31
501213	31
502368P	31
Motor Connection Block	
500338	55
Motor Hub Ring Kit	
590P3	31
Motor Mounting Bracket	
503613	31
Motor Mounting Clamp	
58047	31
Motor Pulley	
500011	31
Motor Switch	
501218P	31
Mounting Bracket	
500821	43, 45
Multiplier	
38571	9

N

Nut	
29796	15
52947	7

O

Outer Door Panel	
503654*	25
Outlet Cover	
500820	37, 39
Overlay	
500814	5

P

Pawl Spring	
53244	23
Power Cord	
59308	51, 56
61604	56
61605	56
Push-to-start Switch Assembly	
55882	5, 7

R

Ratchet Extension Tool	
310P4	55
Ratchet Wheel	
53239	23
Rear Bulkhead	
505244	35
Retainer Ring	
23748	31, 35
Ring Terminal #10	
00110	53
00111	53
Rivet	
504540	33
Roller Bracket	
500062	35

S

Screw	
03203	7
03950	7
20530	5, 7, 11, 13
23222	37, 43
27328	5
31260	31
32671	15, 17, 19, 21, 29, 47, 49
33561	31
33562	49
500226	25, 27, 33
500227	27
501285	33, 35
501524	9, 11, 13
501668	35
502431	15, 17, 19, 21, 47
502535	45
503661	7, 15, 17, 19, 21, 29, 31, 35, 47, 49
503688	15, 17, 19, 21, 33, 35, 37, 39, 41, 43, 45, 47, 49
505295	25, 27
51782	39, 41, 43, 45
56124	43, 45
62588	33
Seal	
504018	31
Secondary Coil	
58804B	43
59063B	43
Security Cabinet Front	
500225*	5

Sensor	
56231	43
Setscrew	
20310	5, 7
Shaft	
56461	31, 35
Shield	
504185	35
Shoulder Screw	
500824	31
Shut-off Valve	
56229	43
Slide Extension	
503455	7
Slotted Hex Head Screw	
33562	29
Spade Terminal	
00114	53
00119	53
00121	53
00124	53
00156	53
00189	53
00209	53
00245	53
00255	55
00256	55
Spring	
56076	31
Strain Relief	
21903	53
38384	56
52113	5, 7, 9, 11, 13
52151	5, 7, 9, 11, 13, 56
60298	56
Switch	
504570	17
53236	23

T

Terminal	
00190	53
00344	53
00345	53
00346	53
00347	53
Terminal Block	
58799	53
58800	51, 53
61923P	35
Terminal Block Plug	
23040	51
56448	51
Terminal Block Receptacle	
23039	51
56265	51
56451	51
Terminal Extractor Tool	
128P4	55
190P4	55
283P4	55
Thermal Fuse	
62600	37

Thermistor	
502366	31
59500	31
Thermostat	
504515	31
504516	31
62034	41
Timer	
500399	5
501163	7
59228	7
59229	7
Timer Assembly	
59228	23
Timer Bracket	
503017	7
Timer Knob Assembly	
54678	5
Timing Cam	
53240	23
53241	23
53242	23
53243	23
Timing Cam Drive	
M400754	23
Timing Motor	
53235P	23
Torx Bit	
282P4	29
Torx Bit Holder	
24161	29
Torx Head Screw	
62853	29

U

Upper Air Duct Assembly	
505529	33

W

Washer	
501307	15, 17, 19, 21, 47
52549	31, 35
Wedge	
505328	25, 27
Window	
503982	27
Window Trim	
503981*	27
Wire Clip	
504034	51
Wire Harness	
502609	45
60641	43
Wire Harnesses	
38191	57
39492	57
500867	57
500950	57
500954	57
500960	57
500965	57

501378	57
501785	57
501790	57
501841	57
502609	57
503680	57
504695	57
504699	57
504703	57
504728	57
504730	57
505072	57
505078	57
505079	57
505081	57
505082	57
505084	57
505085	57
505087	57
505088	57
505090	57
505091	57
505099	57
505128	57
505130	57
59296	57
Wire, 12 Gauge	
45380	57
Wire, 18 Gauge	
45001	57