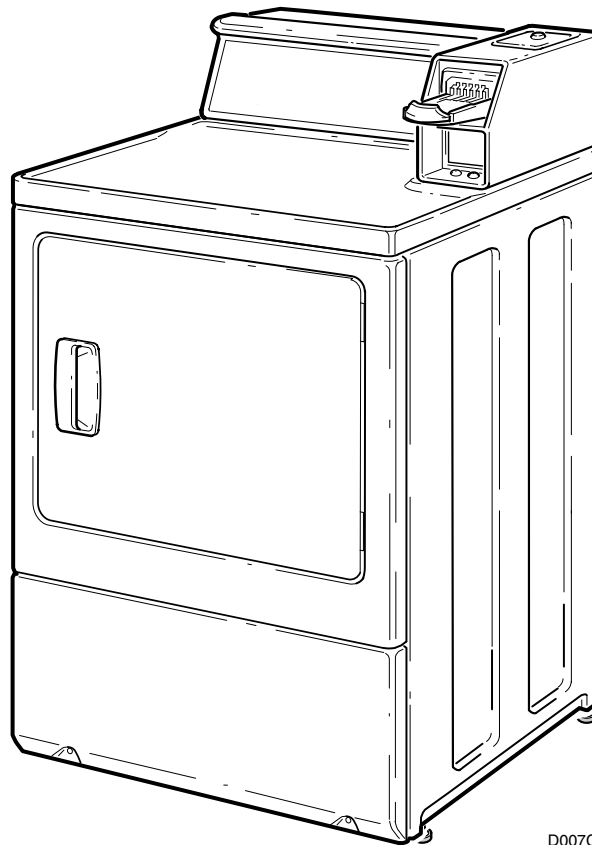


# Commercial Dryers

Metered and Nonmetered  
Refer to Page 3 for Model Numbers



D007C

# Table of Contents

Title	Page
Parts Ordering Information .....	2
Nameplate Location .....	2
Model Identification .....	3
Service Door and Meter Case .....	4
Timer, Plate, Case and Knob .....	6
Accumulator (H. Greenwald Co.) .....	8
Accumulator (H. Greenwald Co.) .....	10
Control Panel, Control Hood and Controls .....	12
Control Panel, Control Hood and Controls .....	14
Cabinet Top .....	16
Loading Door, Front Panels and Access Door .....	18
Front Bulkhead, Air Duct, Felt Seal and Cylinder .....	20
Rear Bulkhead, Felt Seal and Cylinder Roller .....	22
Motor, Exhaust Fan and Belt .....	24
Cabinet, Exhaust Duct and Base .....	26
Terminal Block .....	28
Terminal Block .....	30
Heater Box .....	32
Heater Box .....	34
Heater Box .....	36
Heater Box .....	38
Gas Valve, Igniter and Gas Conversion Kits .....	40
Power Cord and Terminals .....	42
Wire Harnesses and Wires .....	44
Parts Index .....	47

© Copyright 2000, Alliance Laundry Systems LLC

All rights reserved. No part of the contents of this book may be reproduced or transmitted in any form or by any means without the expressed written consent of the publisher.

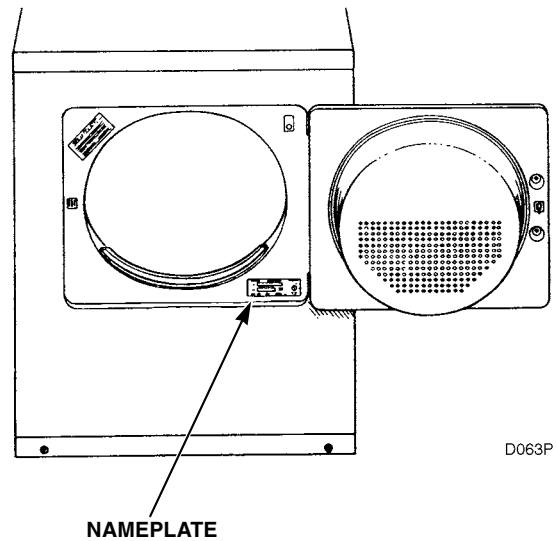
## Parts Ordering Information

If literature or replacement parts are required, contact the source from whom the machine was purchased or contact Alliance Laundry Systems LLC at (920) 748-3950 for the name and address of the nearest authorized parts distributor.

For technical assistance, call (920) 748-3121.

## Nameplate Location

When calling or writing about your product, be sure to mention model and serial numbers. Model and serial numbers are located on nameplate(s) as shown.



# Model Identification

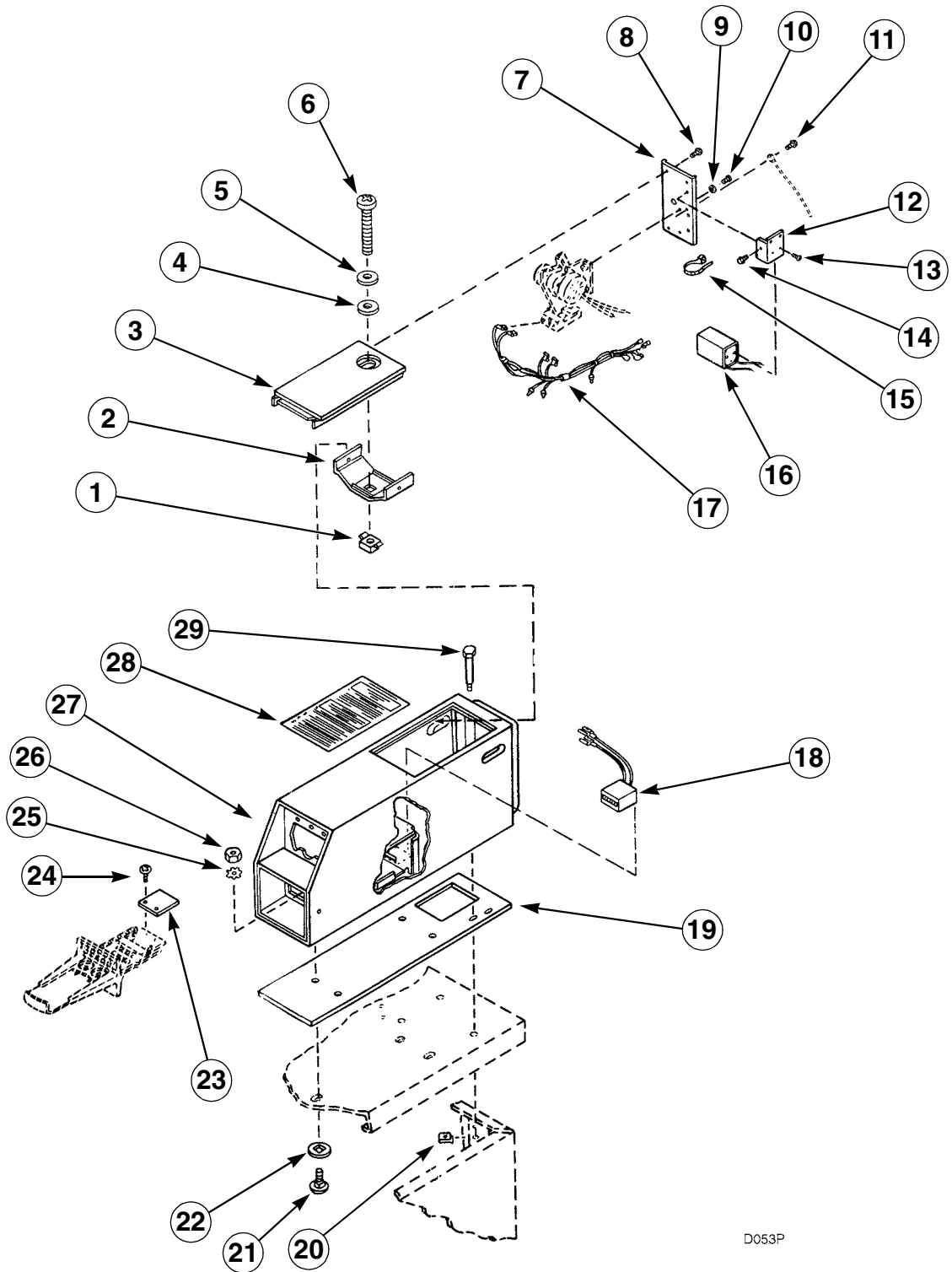
Information in this manual is applicable to these dryers:

<b>Model Numbers</b>	<b>Nonmetered Models</b>	<b>Metered Models</b>	<b>Card Models</b>	<b>Audit Models</b>	<b>Electric Heat</b>	<b>Gas Heat</b>
EE1010	X				X	
EG1020	X					X
EE1110		X			X	
EG1120		X				X
EG1220			X			X
EE1510		X		X	X	
EG1520		X		X		X



# Service Door and Meter Case

(Models EE1110, EG1120, EE1510 and EG1520)



D053P

# Service Door and Meter Case

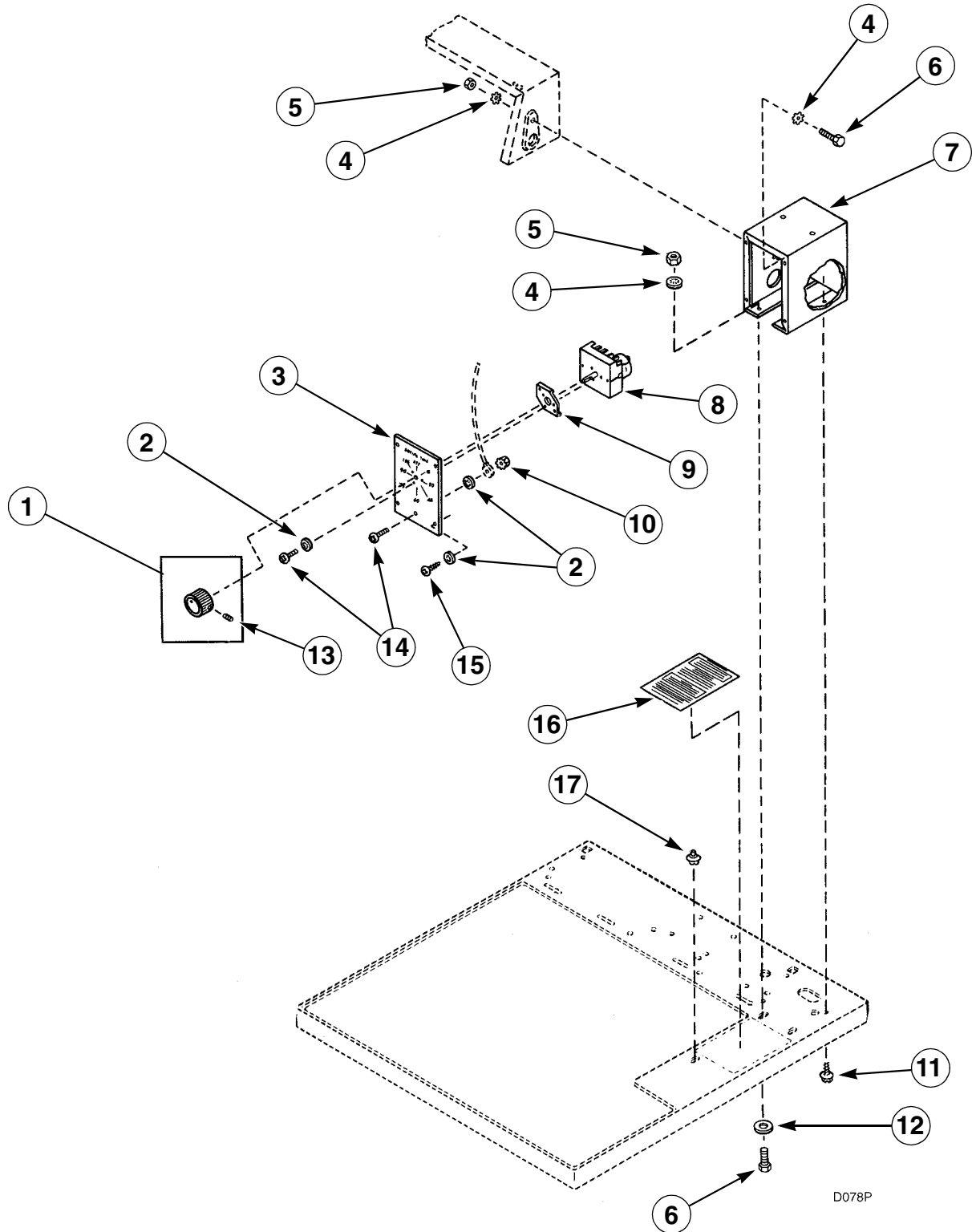
(Models EE1110, EG1120, EE1510 and EG1520)

REF	PART #	DESCRIPTION	COMMENTS
1	30647	Retainer Nut	
2	30642	Locking Bracket	
3	31861*	Service Door	
4	30648	Washer	Paper
5	30644	Washer	Metal
6	30645	Pan Head Screw	
7	60835	Accumulator Mounting Bracket	
8	25723	Hex Head Screw	
9	21734	Lockwasher	
10	03203	Screw	
11	20530	Screw	
12	61307	Counter Mounting Bracket	
13	61420	Screw	
14	51780	Screw	
15	55881	Wire Tie	
16	61436	Counter	Models EE1510 and EG1520 through Serial No. S6348563YA
17	61310	Wire Harness	Models EE1510 and EG1520 through Serial No. S6348563YA
	62115	Wire Harness	Models EE1510 and EG1520 starting with Serial No. S6348564YA
	59296	Wire Harness	All other models
18	62113P	Counter Kit	Models EE1510 and EG1520 starting with Serial No. S6348564YA
19	26354	Meter Case Gasket	
20	80077	Speed Nut	
21	02505	Carriage Bolt	
22	30627	Washer	
23	61031	Slide Extension	
24	03950	Screw and Lockwasher	
25	02431	Lockwasher	
26	20275	Nut	
27	31860*	Meter Case	
28	55969	Instruction Sticker	
29	56159	Cap Screw	

\* Add letter to designate color:    L - Almond        W - White

# Timer, Plate, Case and Knob

(Models EE1010 and EG1020)



D078P



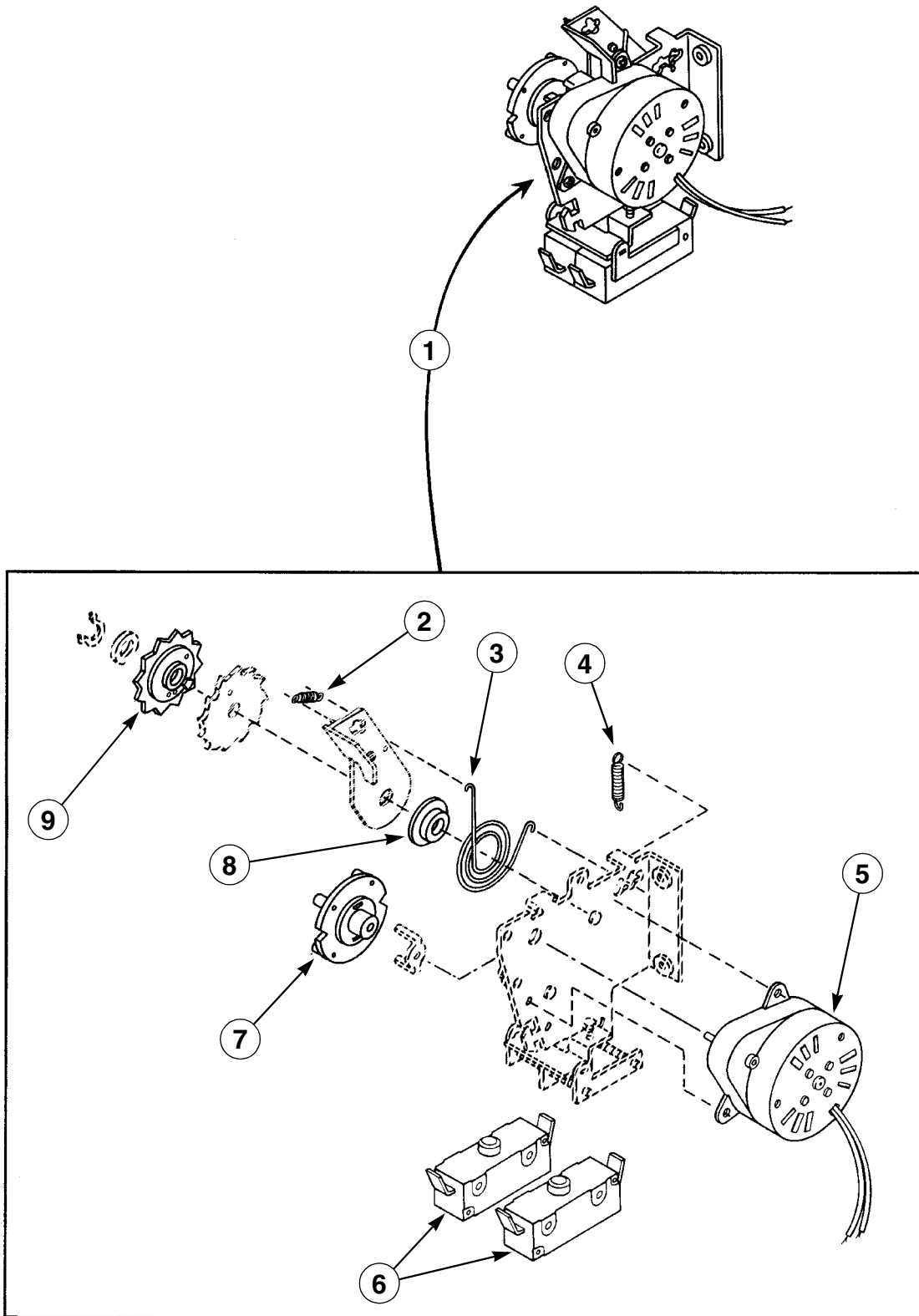
# Timer, Plate, Case and Knob

(Models EE1010 and EG1020)

REF	PART #	DESCRIPTION	COMMENTS
1	54678	Timer Knob Assembly	
2	21734	Lockwasher	
3	58634W	Timer Plate	
4	02431	Lockwasher	
5	20275	Nut	
6	02916	Cap Screw	
7	32828W	Timer Case	
8	58635	Timer Assembly	
9	56502	Timer Spacer	
10	51236	Locknut	
11	55985	Screw	
12	20279	Washer	
13	25285	Set Screw	
14	20375	Screw	
15	51778	Screw	
16	58646	Instruction Sticker	
17	26351	Rivet	

# Accumulator (H. Greenwald Co.)

(Models EE1110 and EG1120)



D003P

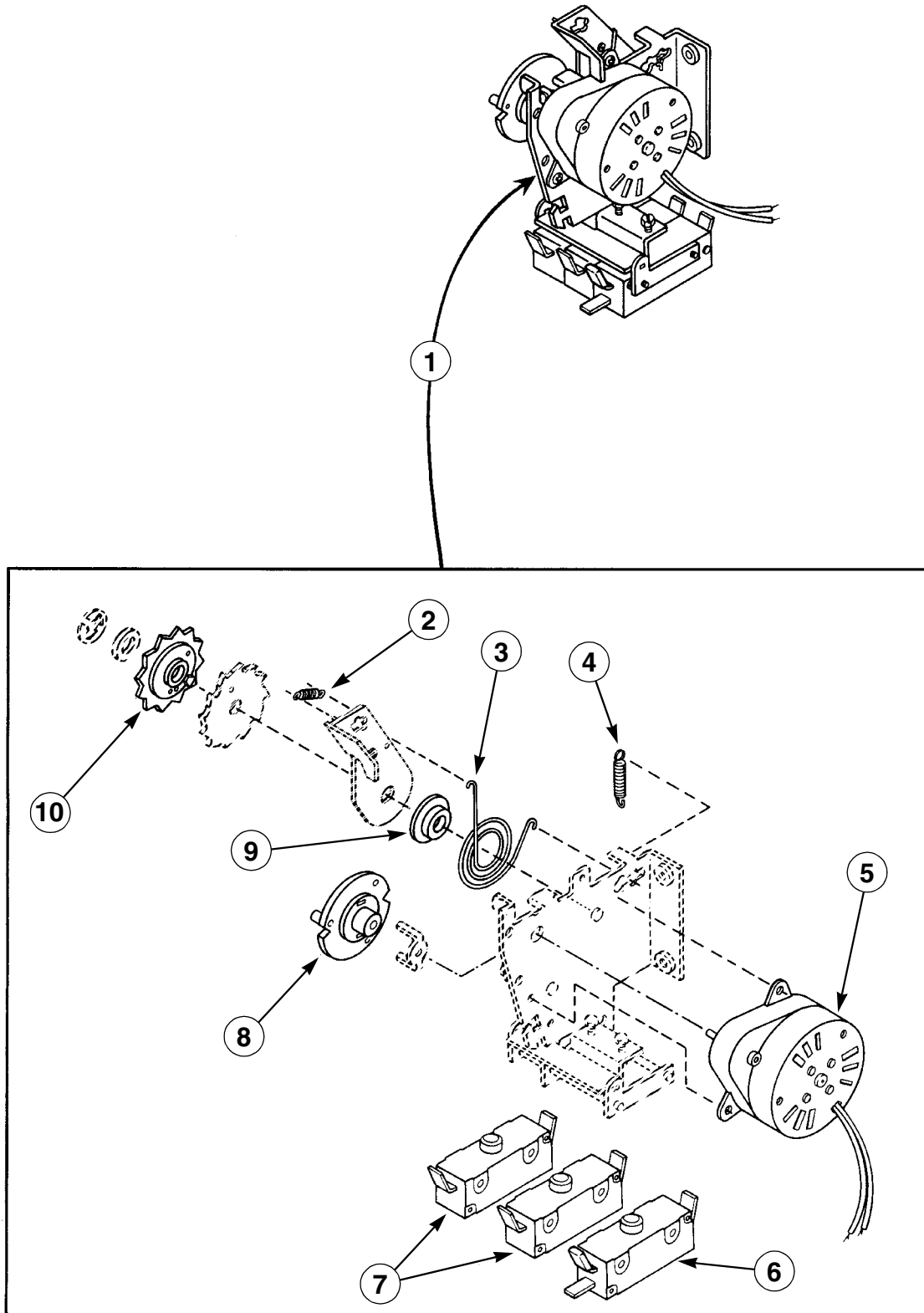
# Accumulator (H. Greenwald Co.)

(Models EE1110 and EG1120)

REF	PART #	DESCRIPTION	COMMENTS
1	59228	Accumulator	
2	53244	Pawl Spring	
3	53261	Return Spring	
4	53238	Index Spring	
5	53235P	Timing Motor	
6	53236	Switch	
7	53240	Timing Cam	60 Minute (3 Pins)
	53241	Timing Cam	45 Minute (4 Pins)
	53242	Timing Cam	30 Minute (6 Pins)
	53243	Timing Cam	20 Minute (9 Pins)
8	53262	Nylon Bushing	
9	53239	Ratchet Wheel	

# Accumulator (H. Greenwald Co.)

(Models EE1510 and EG1520)



D004P

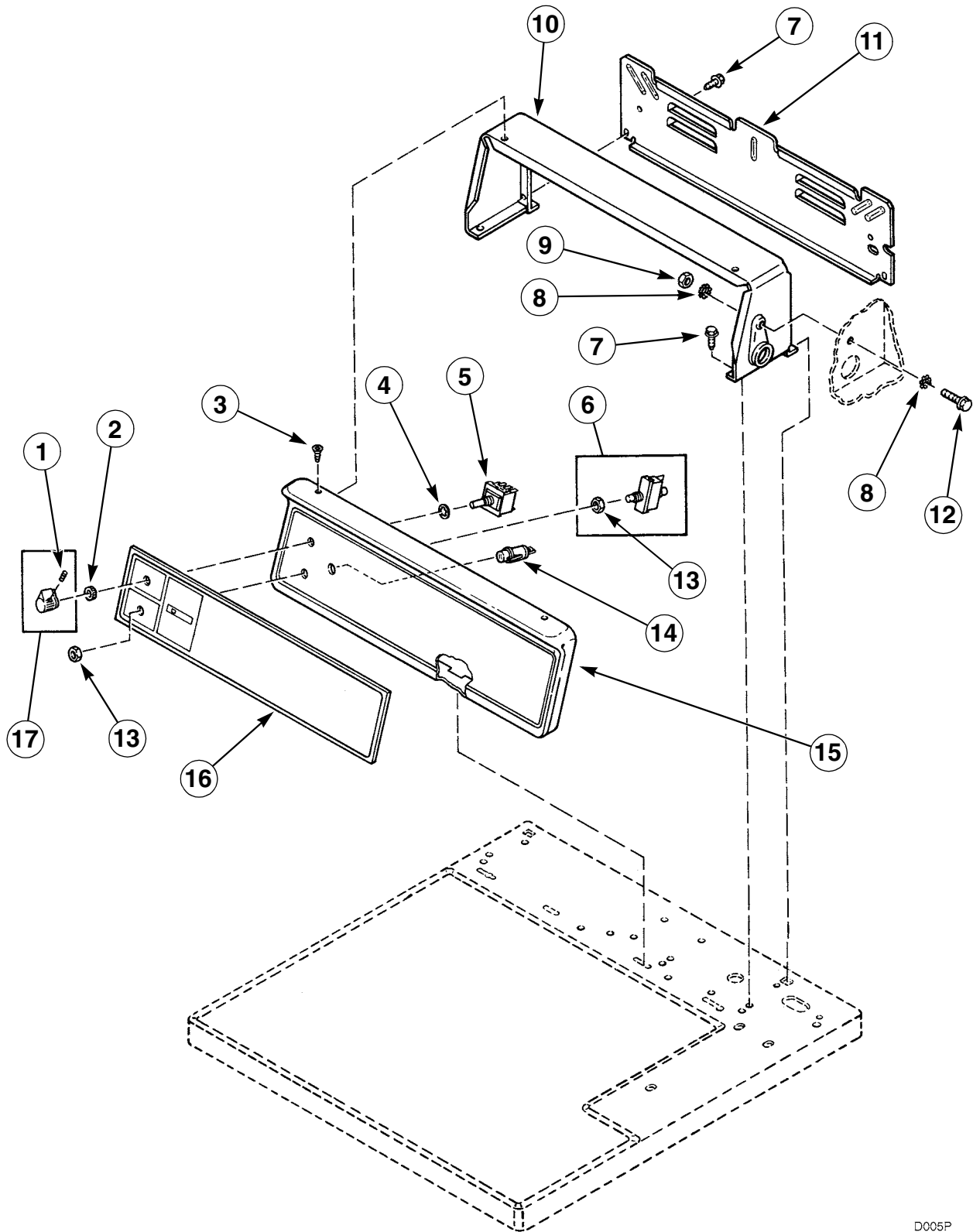
# Accumulator (H. Greenwald Co.)

(Models EE1510 and EG1520)

REF	PART #	DESCRIPTION	COMMENTS
1	61309	Accumulator	
2	53244	Pawl Spring	
3	53261	Return Spring	
4	53238	Index Spring	
5	53235P	Timing Motor	
6	61468	Switch	
7	53236	Switch	
8	53240	Timing Cam	60 Minute (3 Pins)
	53241	Timing Cam	45 Minute (4 Pins)
	53242	Timing Cam	30 Minute (6 Pins)
	53243	Timing Cam	20 Minute (9 Pins)
9	53262	Nylon Bushing	
10	53239	Ratchet Wheel	

# Control Panel, Control Hood and Controls

(Models EE1010, EG1020, EE1110, EG1120, EE1510 and EG1520)



D005P

# Control Panel, Control Hood and Controls

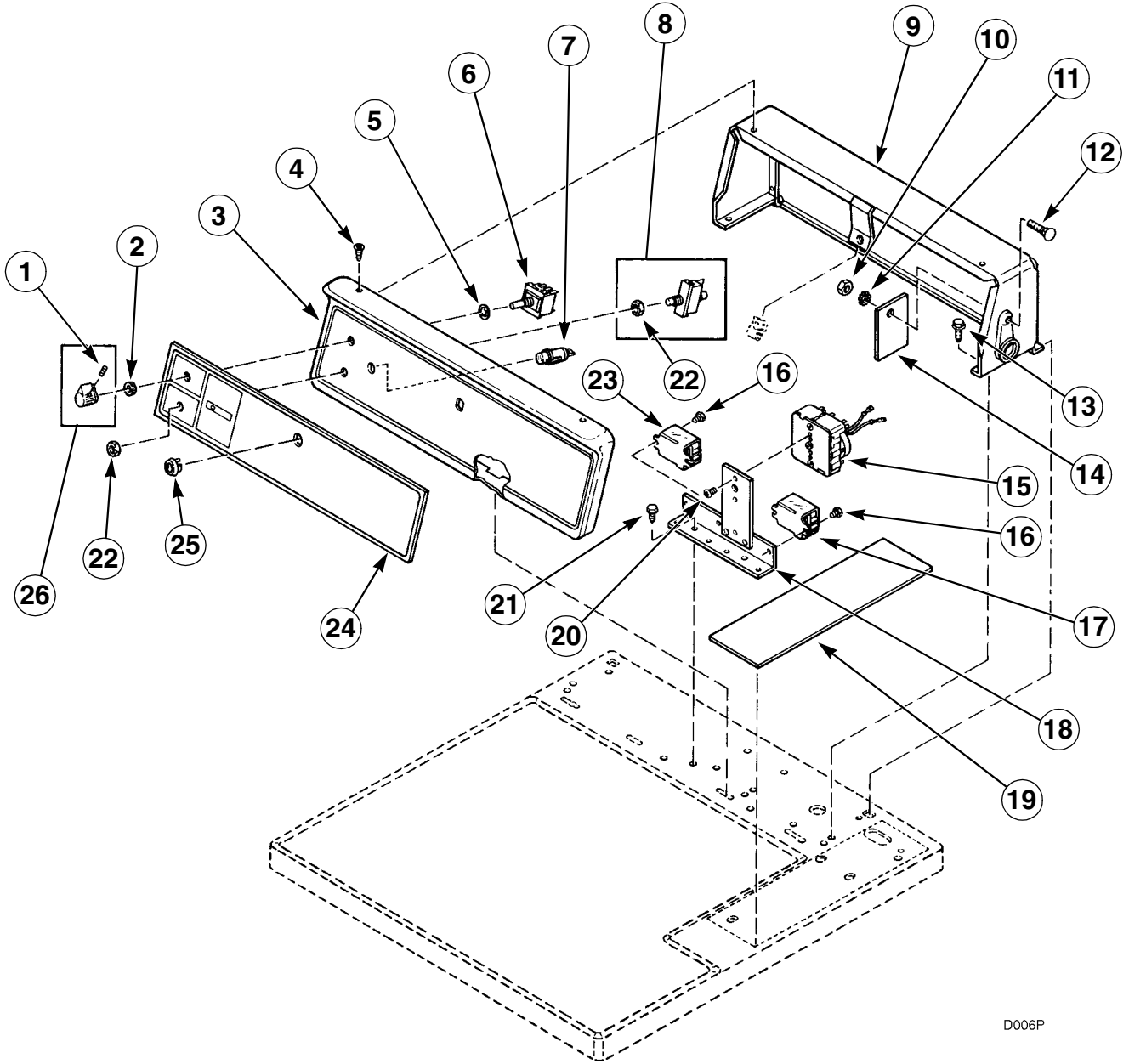
(Models EE1010, EG1020, EE1110, EG1120, EE1510 and EG1520)

REF	PART #	DESCRIPTION	COMMENTS
1	20310	Set Screw	
2	24205	Knurled Nut	
3	52864	Screw	
4	91176	Lockwasher	
5	56576	Temperature Selector Switch	Through Serial No. S6270865XG
	61512	Temperature Selector Switch	Starting with Serial No. S6270866XG
6	55882	Push-to-Start Switch Assembly	
7	55985	Screw	
8	02431	Lockwasher	
9	20275	Nut	
10	60357*	Control Hood	
11	60367	Control Hood Rear Cover	
12	02916	Cap Screw	
13	52947	Nut	Included with 55882
14	32464	Indicator Light	
15	60441*	Control Panel and Bracket Assembly	
16	60362	Control Panel Overlay	
17	30588	Control Knob Assembly	

\* Add letter to designate color:    **L - Almond**        **W - White**

# Control Panel, Control Hood and Controls

(Model EG1220)



D006P



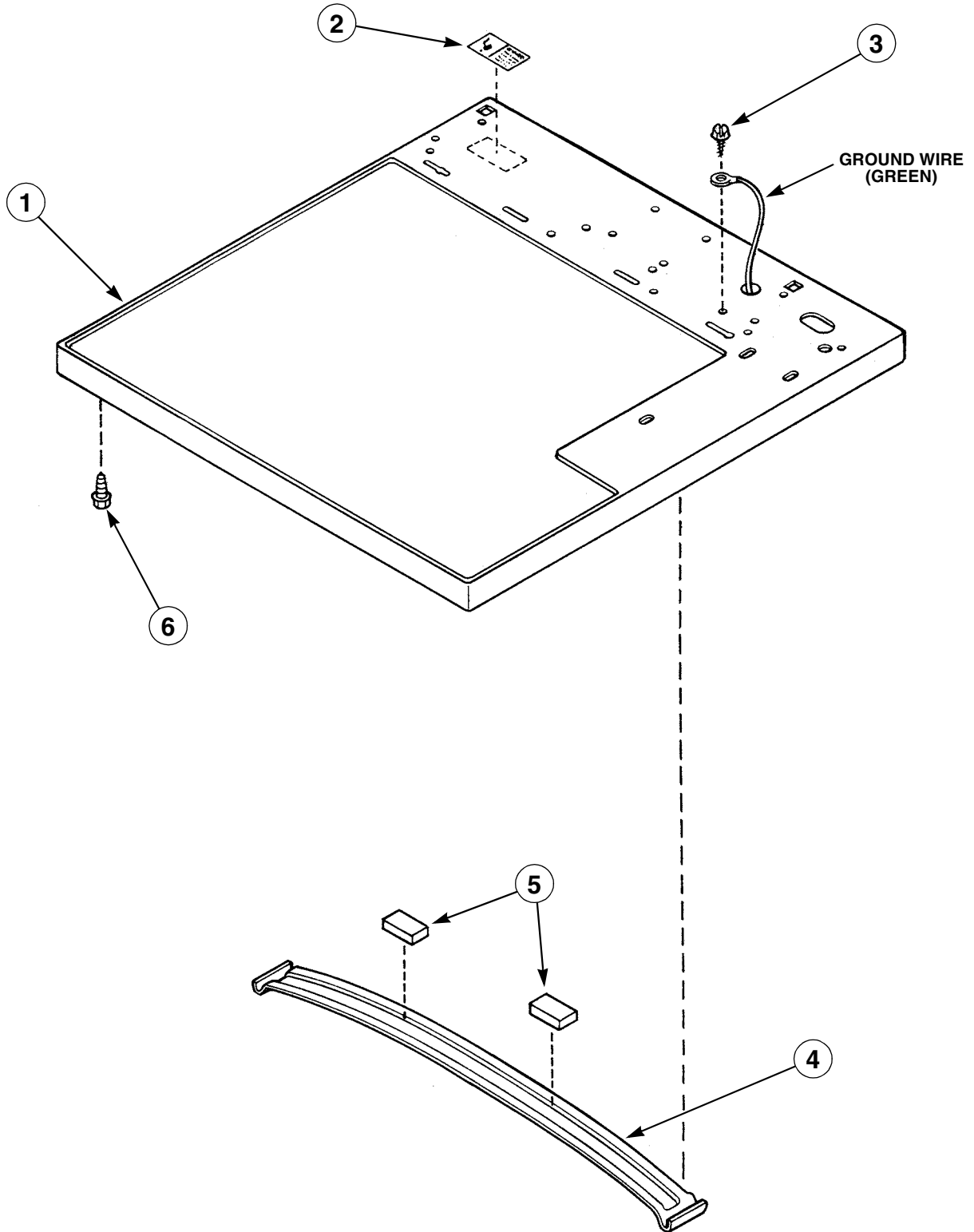
# Control Panel, Control Hood and Controls

(Model EG1220)

REF	PART #	DESCRIPTION	COMMENTS
1	20310	Set Screw	
2	24205	Knurled Nut	
3	60441*	Control Panel and Bracket Assembly	
4	52864	Screw	
5	91176	Lockwasher	
6	56576	Temperature Selector Switch	Through Serial No. S6270865XG
	61512	Temperature Selector Switch	Starting with Serial No. S6270866XG
7	32464	Indicator Light	
8	55882	Push-to-Start Switch Assembly	
9	60393*	Control Hood Assembly	
10	20275	Nut	
11	02431	Lockwasher	
12	02505	Carriage Screw	
13	55985	Screw	
14	30425	Cover Plate	
15	58895	Timer	
16	23222	Screw	
17	30616	Relay	
18	61017	Timer Bracket Assembly	
19	58861	Instruction Plate	
20	20268	Screw	
21	55985	Screw	
22	52947	Nut	Included with 55882
23	31738	Relay	
24	60402	Control Panel Overlay	
25	57916	Lock Plug	
26	30588	Control Knob Assembly	

\* Add letter to designate color:    **L - Almond**        **W - White**

# Cabinet Top



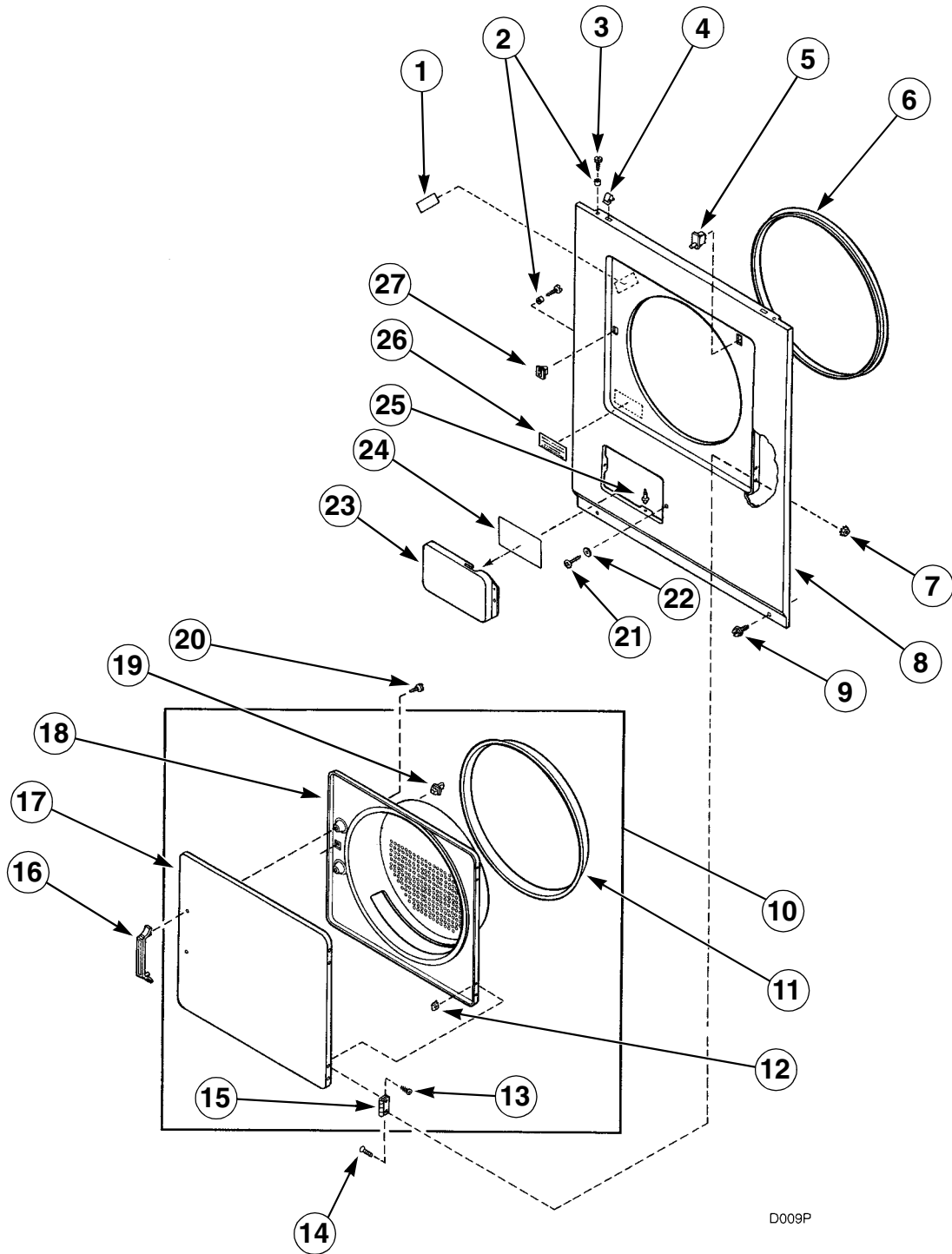
D054P

# Cabinet Top

REF	PART #	DESCRIPTION	COMMENTS
1	60355*	Cabinet Top	
2	24903	Sticker	
3	20530	Screw	
4	56486	Top Brace	
5	56968	Pad	
6	25723	Screw	

\* Add letter to designate color:    L - Almond        W - White

# Loading Door, Front Panels and Access Door



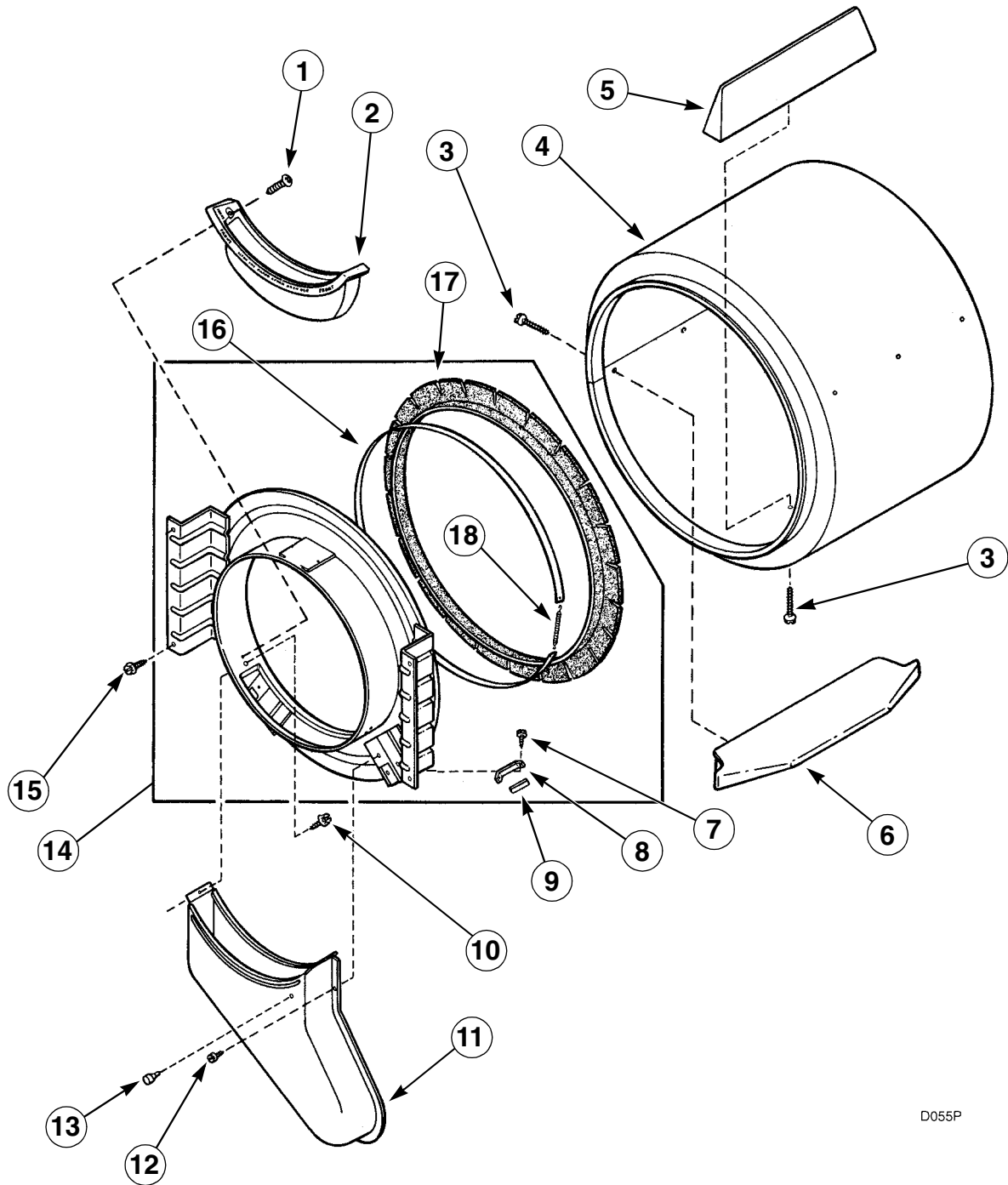
D009P

## Loading Door, Front Panels and Access Door

REF	PART #	DESCRIPTION	COMMENTS
1	58854	Sticker	
2	56079	Guide Lug	
3	32671	Screw	
4	28835	Hold-down Clip	
5	57012	Door Switch	
6	61380	Front Panel Seal	
7	51236	Locknut	
8	62420*	Front Panel	Electric Models (Replaces 60791)
	62424*	Front Panel	Gas Models (Replaces 60853)
9	58637	Screw	
10	62300*	Door Assembly	Replaces 60885
11	61379	Door Seal	
12	23407	Speed Nut	
13	52864	Screw	
14	22649	Screw	
15	56045	Door Hinge	
16	54078P	Door Handle	Through Serial No. S6348883YA (Silver)
	61925	Door Handle	Through Serial No. S634888YA (Black)
17	62153*	Outer Door Panel	Replaces 60770
18	62152P	Inner Door Panel	Replaces 60106P
19	54661	Door Striker	
20	52150	Screw	
21	57444	Screw	
22	21147	Washer	
23	60795*	Access Door	Gas Models
24	56427	Sticker	
25	56534	Support	
26	56542	Stricker	
27	54660	Striker Catch	

\* Add letter to designate color:    **L - Almond**        **W - White**

# Front Bulkhead, Air Duct, Felt Seal and Cylinder

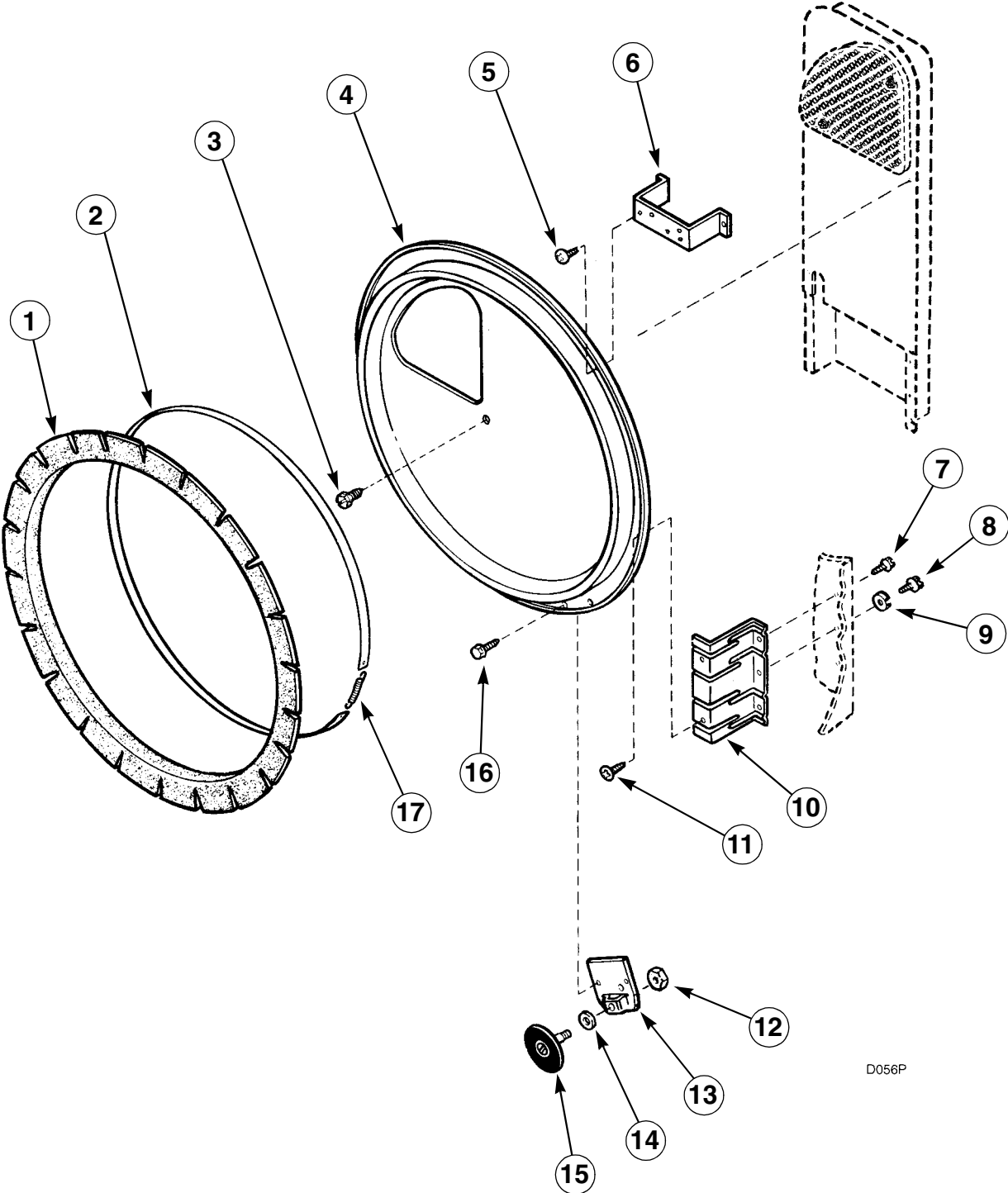


D055P

## Front Bulkhead, Air Duct, Felt Seal and Cylinder

REF	PART #	DESCRIPTION	COMMENTS
1	25232	Screw	
2	61376P	Lint Filter	
3	56131	Screw	
4	60645P	Cylinder Assembly	Includes Baffles, replaces 56175
5	56013	Cylinder Baffle	For 56175 Cylinder (Gray), 3 Required
	61399	Cylinder Baffle	For 60645P Cylinder (White), 2 Required
6	61027	Cylinder Baffle	Elongated, for 60645P Cylinder, 1 Required
7	23962	Screw	
8	61448	Cylinder Glide	
9	58049	Felt Pad	
10	23628	Screw	
11	60786	Air Duct	
12	56392	Screw	
13	56938	Bumper	
14	60774P	Front Bulkhead Assembly	
15	25723	Screw	
16	56090	Seal Strap	
17	56088	Felt Seal	
18	52310	Strap Spring	

# Rear Bulkhead, Felt Seal and Cylinder Roller



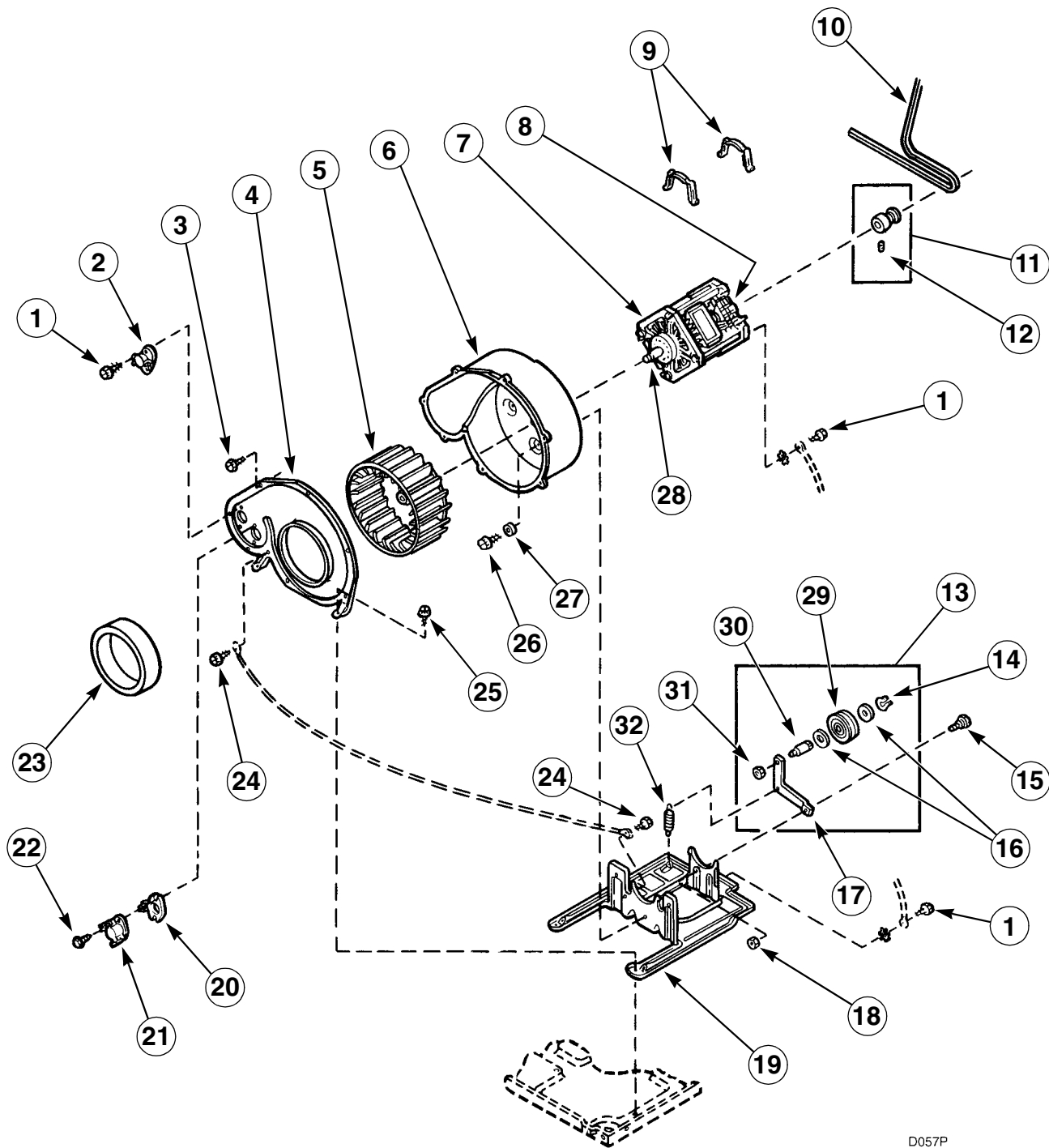
D056P



## Rear Bulkhead, Felt Seal and Cylinder Roller

REF	PART #	DESCRIPTION	COMMENTS
1	56088	Felt Seal	
2	56090	Seal Strap	
3	23628	Screw	
4	61135P	Rear Bulkhead	Includes 23628 Screw and 81207 Speed Nut
5	56078	Screw	
6	60823	Terminal Block Bracket	
7	25723	Screw	
8	52909	Screw	Green
9	51474	Cupped Washer	
10	56055	Bracket	
11	56078	Screw	
12	56156	Locknut	
13	56042	Roller Bracket	Starting with Serial No. S6270866XG
14	20279	Washer	
15	56285P	Cylinder Roller Assembly	
16	51780	Screw	
17	52310	Strap Spring	

# Motor, Exhaust Fan and Belt

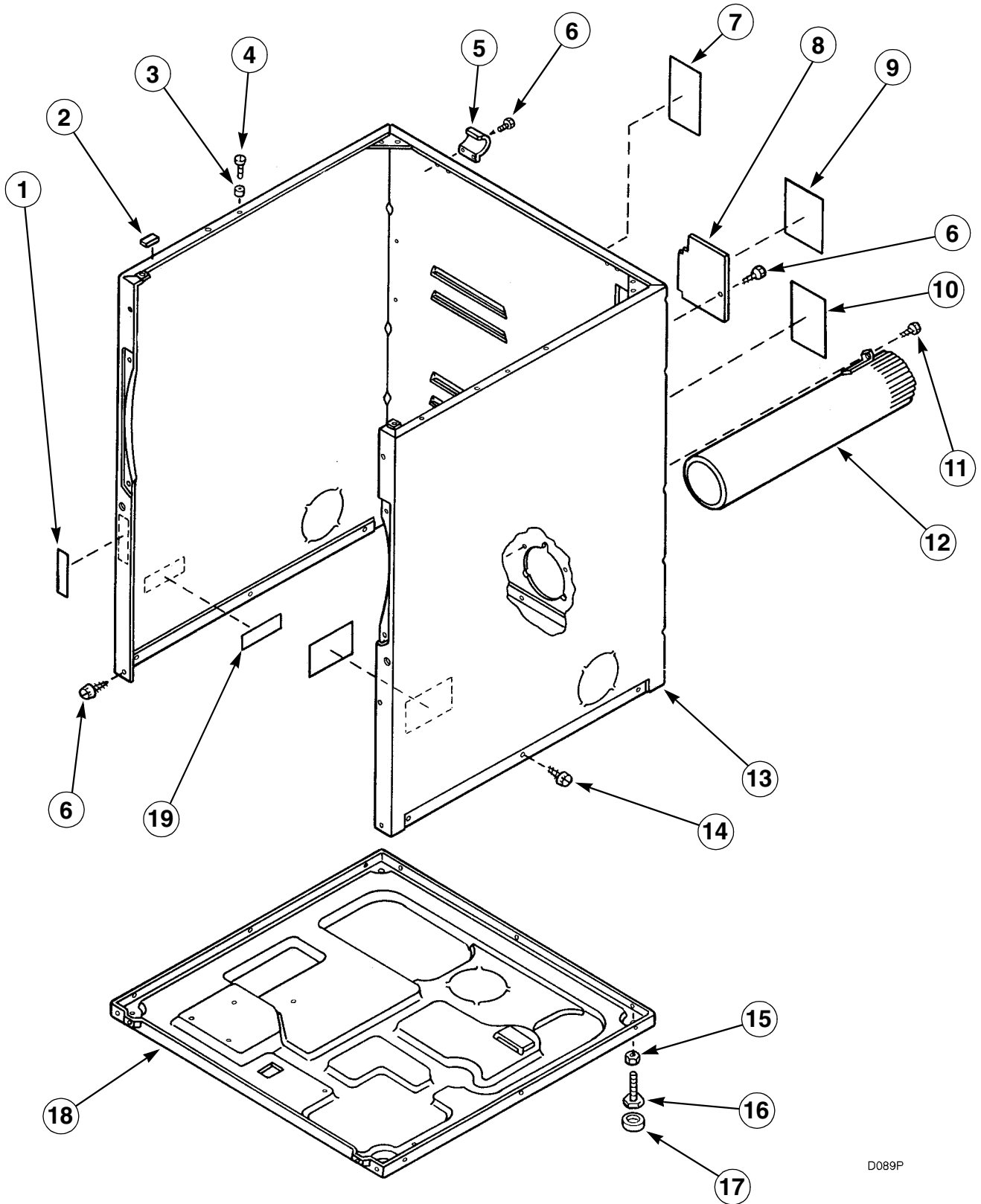


D057P

## Motor, Exhaust Fan and Belt

REF	PART #	DESCRIPTION	COMMENTS
1	23222	Screw	
2	57015	High Thermostat	Through Serial No. S6270865XG
3	23962	Screw	
4	60818	Exhaust Fan Cover	
5	56000	Exhaust Fan Impeller	
6	56020	Exhaust Fan Housing	
7	58044	Motor	Includes switch
8	53226	Motor Switch	External mounted switch, Emerson
	53249	Motor Switch	External mounted switch, General Electric
	59895	Motor Switch	Internal mounted switch, General Electric
9	58047	Motor Clamp	
10	59174	Belt	
11	59173	Motor Pulley Assembly	
12	52906	Set Screw	
13	56170	Idler Pulley and Lever Assembly	
14	23748	Retainer Ring	
15	56587	Shoulder Bolt	
16	52549	Washer	
17	56057	Idler Lever	
18	52566	Locknut	
19	60816	Motor Mounting Bracket	
20	61623	Thermostat Heater	Use with 61625 Thermostat
21	56470	Thermostat	Through Serial No. S6270865XG
	61625	Thermostat	Starting with Serial No. S6270866XG
22	23222	Screw	For 56470 Thermostat
	52150	Screw	For 61625 Thermostat
23	56065	Seal	
24	51780	Screw	Optional
25	51780	Screw	
26	56264	Screw	
27	20492	Washer	
28	27604P	Anti-seize Compound	Apply to motor shaft before installing the Exhaust Fan Impeller
29	54414	Idler Pulley	
30	56461	Shaft	
31	56156	Locknut	
32	56076	Spring	

# Cabinet, Exhaust Duct and Base



D089P

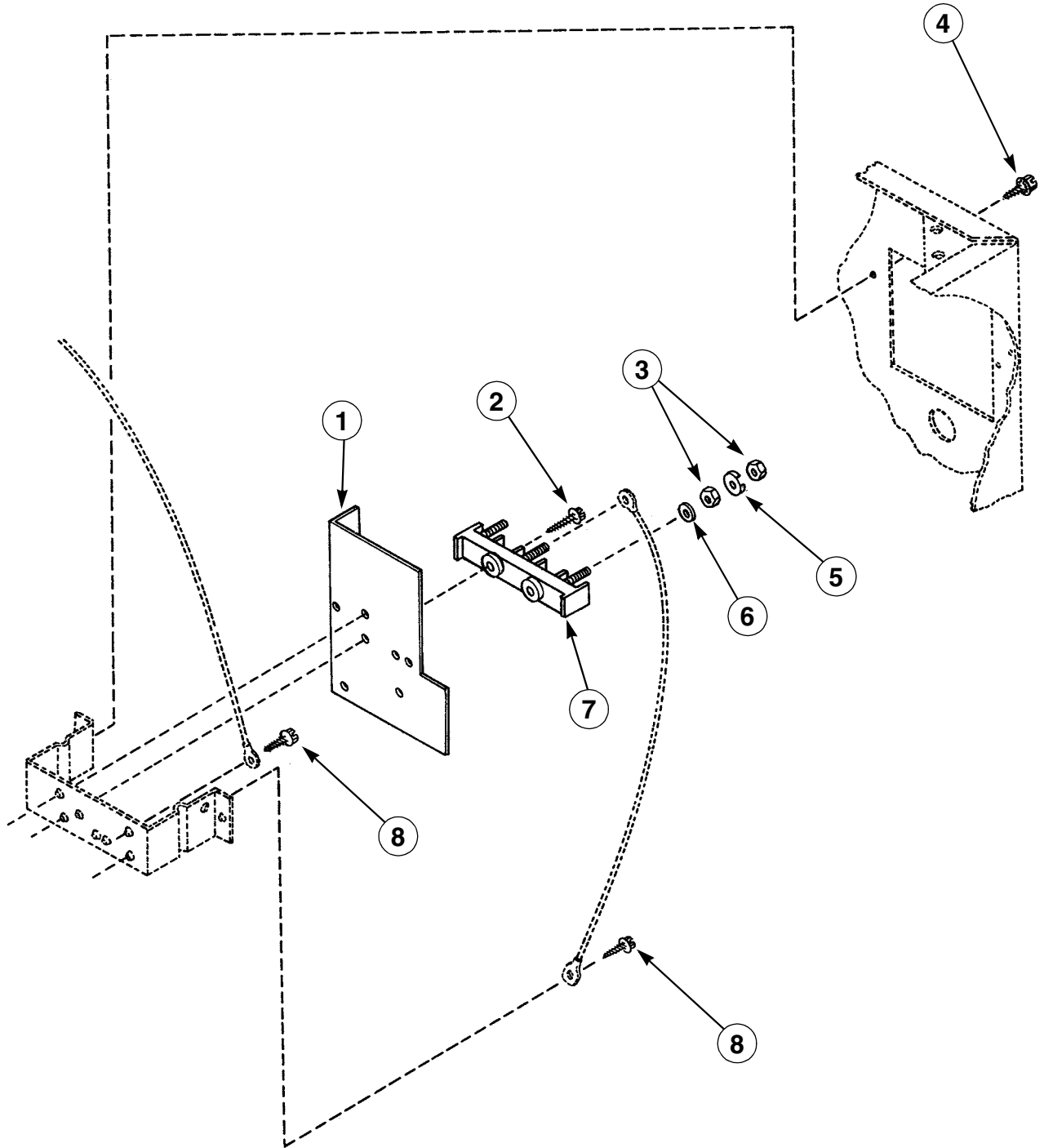
## Cabinet, Exhaust Duct and Base

REF	PART #	DESCRIPTION	COMMENTS
1	24903	Sticker	
2	56128	Bumper Pad	
3	56079	Guide Lug	
4	32671	Screw	
5	60826	Hinge	
6	25723	Screw	
7	56427	Sticker	Gas Models
8	60821	Access Plate	
9	61206	Sticker	Electric Models
10	58866	Sticker	Electric Models
11	56392	Screw	
12	56118	Exhaust Duct	
13	60813*	Cabinet	
14	56264	Screw	
15	20274	Nut	
16	52696	Leveling Leg	
17	70282	Rubber Cup	
18	60811	Base	Includes 20274 Nuts, 52696 Leveling Legs and 70282 Rubber Cups
19	61294	Sticker	Electric Models

\* Add letter to designate color:    L - Almond        W - White

# Terminal Block

(Through Serial No. S6270865XG)



D017P

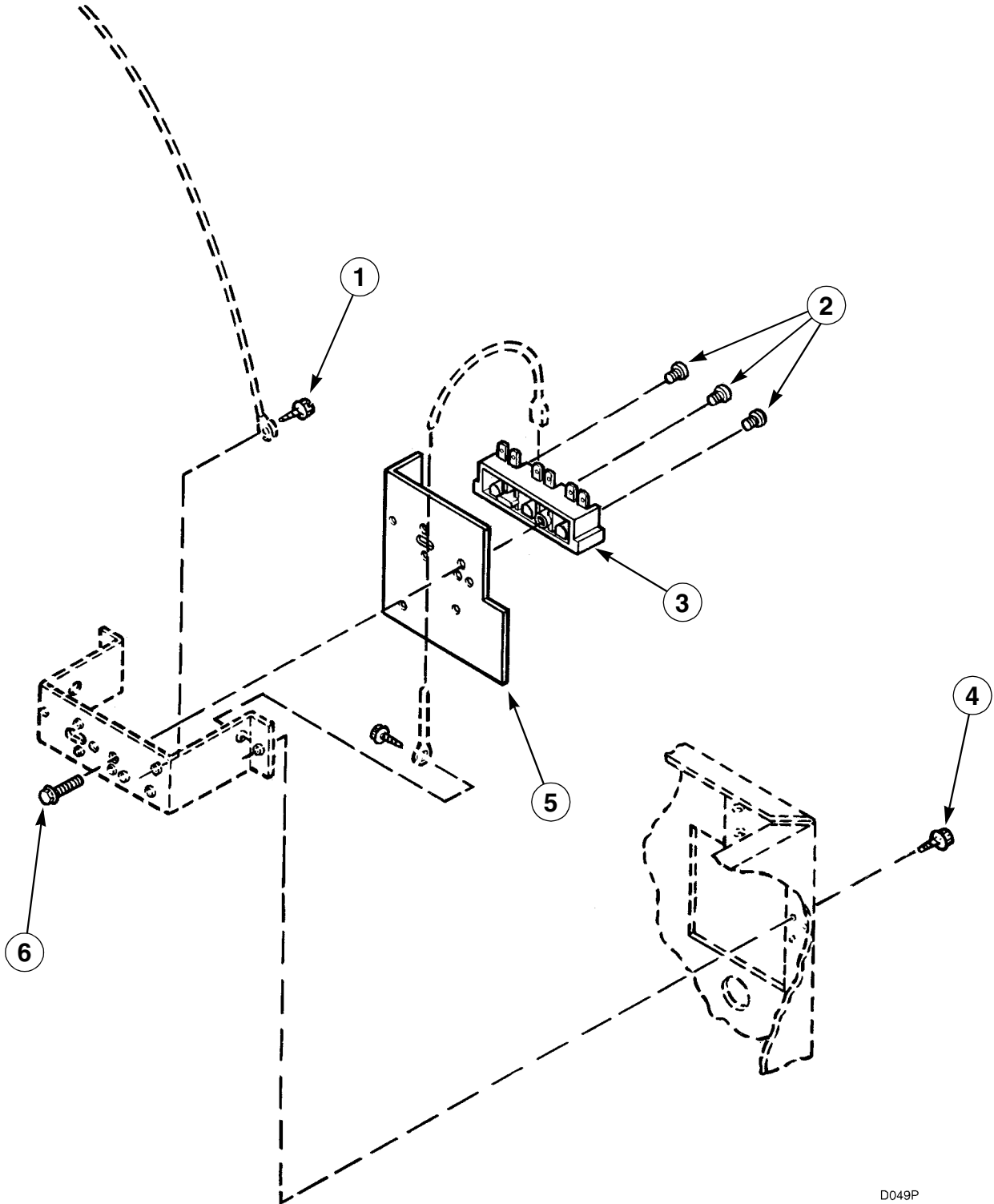
# Terminal Block

(Through Serial No. S6270865XG)

REF	PART #	DESCRIPTION	COMMENTS
1	56087	Terminal Block Insulation	
2	Q6535	Screw	
3	Q6163	Nut	
4	25723	Screw	
5	51474	Cupped Washer	
6	56552	Washer	
7	58555	Terminal Block	
8	20530	Screw	

# Terminal Block

(Starting with Serial No. S6270866XG)



D049P



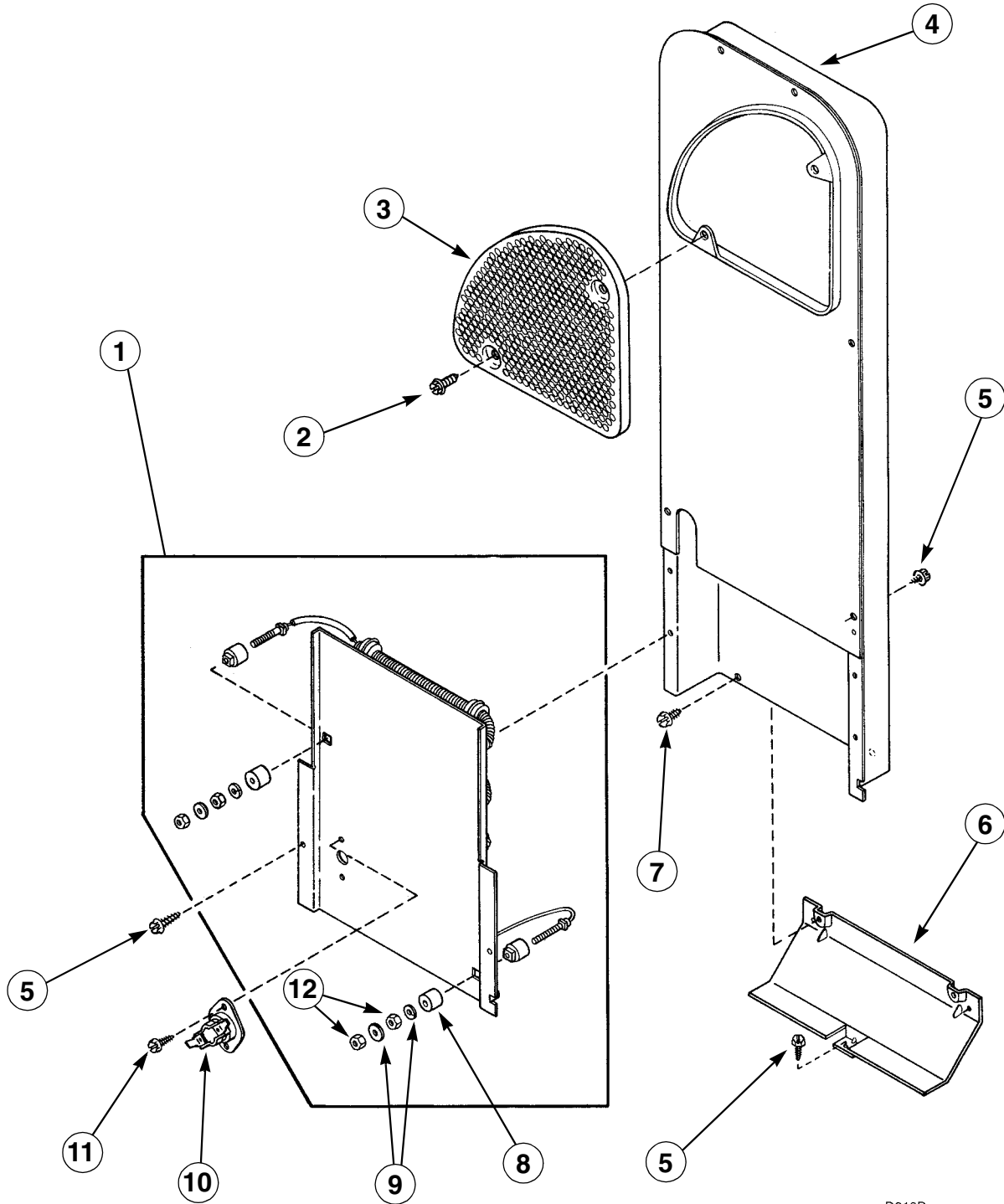
# Terminal Block

(Starting with Serial No. S6270866XG)

REF	PART #	DESCRIPTION	COMMENTS
1	20530	Screw	
2	61199	Screw	
3	61923P	Terminal Block	Includes 61199 Screws
4	25723	Screw	
5	56087	Terminal Block Insulation	
6	61200	Screw	

# Heater Box

(Electric Models through Serial No. S6270865XG)



D013P

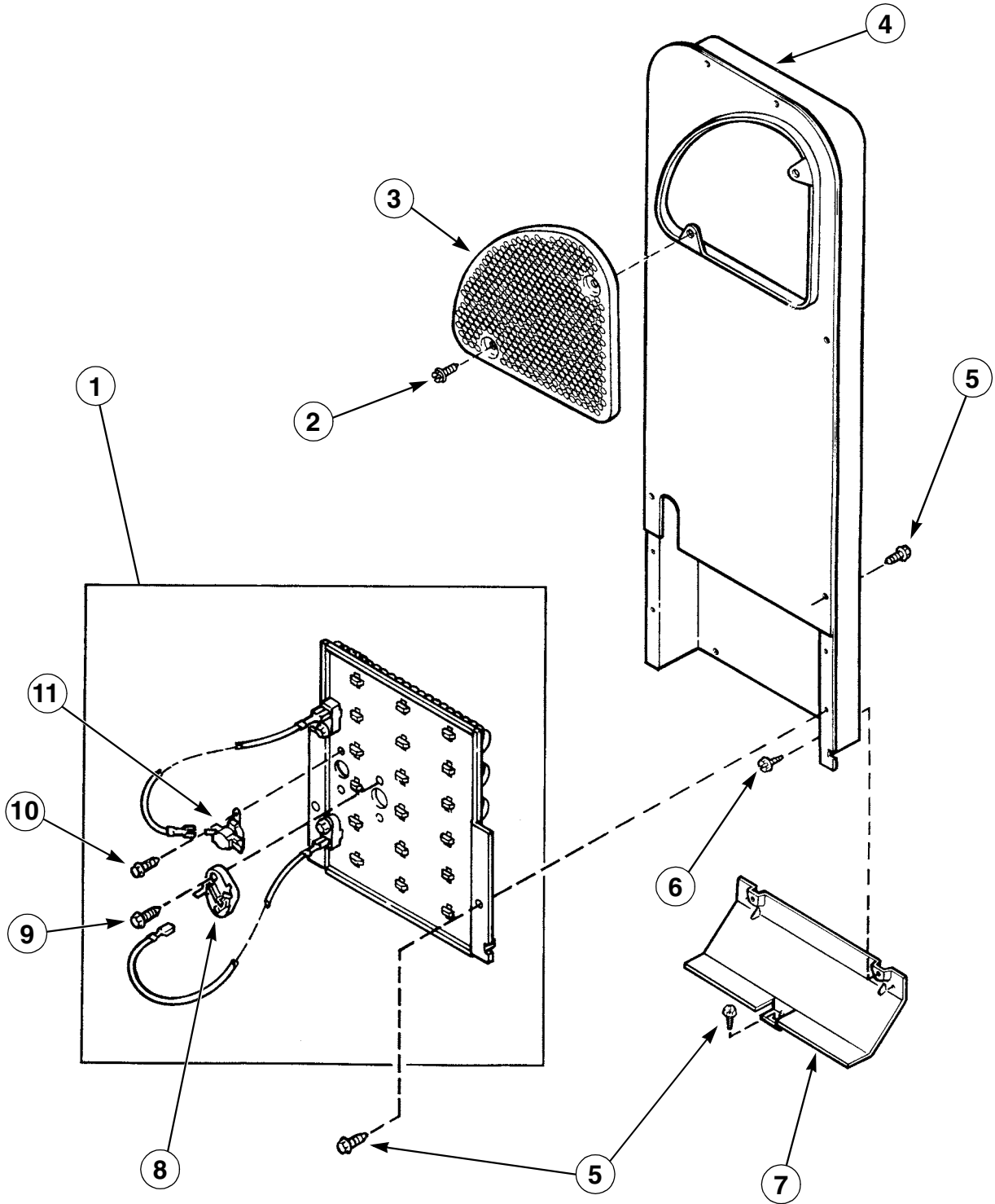
# Heater Box

(Electric Models through Serial No. S6270865XG)

REF	PART #	DESCRIPTION	COMMENTS
1	61928	Heater Element and Plate	208 Volts, 4750 Watts, color coded White, replaces 56176
	61927	Heater Element and Plate	230 Volts, 5000 Watts, color coded Green, replaces 56179
	61927	Heater Element and Plate	240 Volts, 5000 Watts, color coded Red, replaces 56047
2	23628	Screw	
3	59947	Outlet Cover	
4	61161P	Heat Duct	Includes 23628 Screws, 59947 Outlet Cover and 81207 Speed Nut
5	56264	Screw	
6	58048	Heat Shield	
7	51780	Screw	
8	57408	Insulator Set	
9	56552	Washer	
10	56082	Limit Thermostat	
11	23222	Screw	
12	Q6163	Nut	

# Heater Box

(Electric Models starting with Serial No. S6270866XG)



D058P

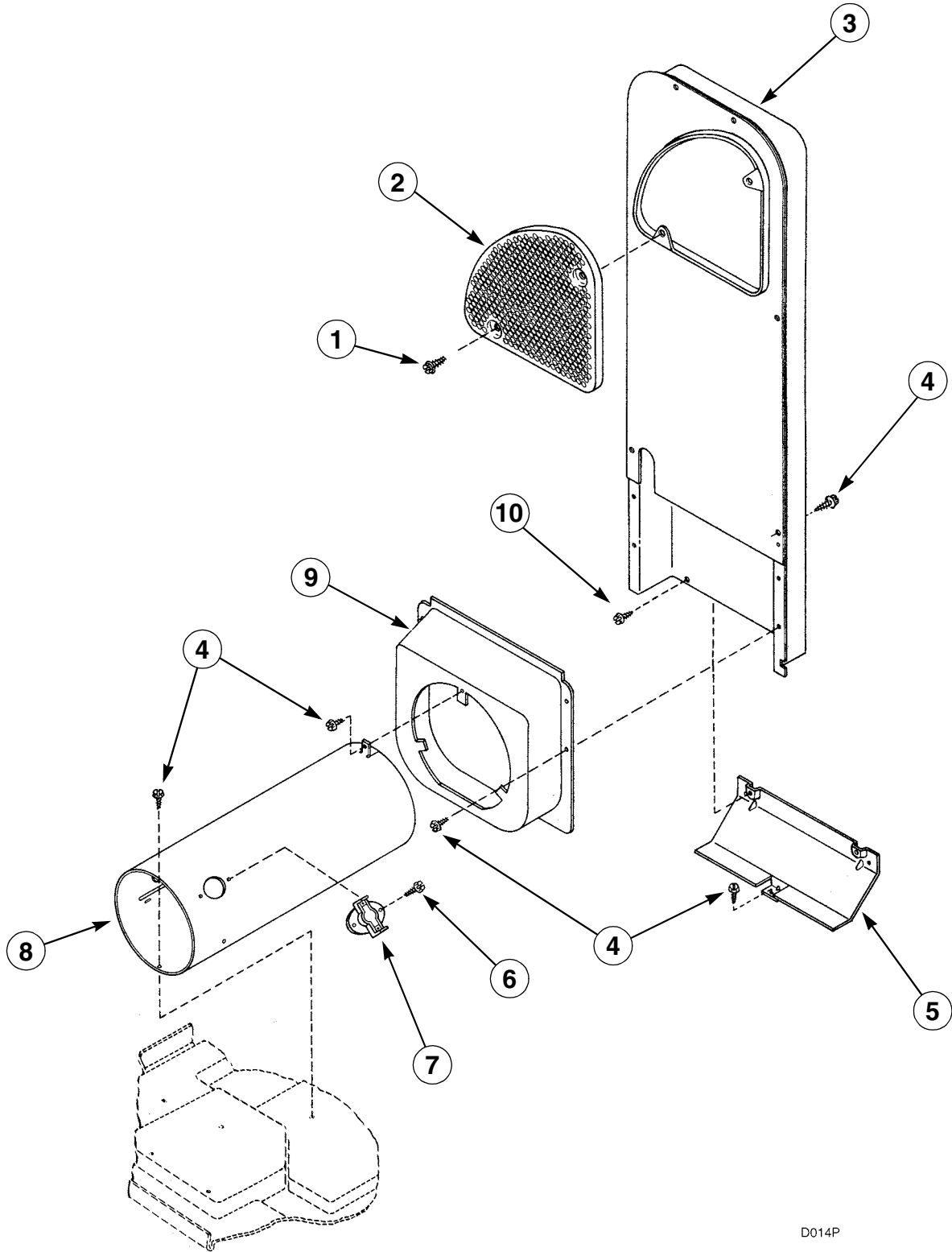
# Heater Box

(Electric Models starting with Serial No. S6270866XG)

REF	PART #	DESCRIPTION	COMMENTS
1	61928	Heater Assembly	208 Volts, 4750 Watts, color coded White
	61927	Heater Assembly	240 Volts, 5000 Watts, color coded Red
2	23628	Screw	
3	59947	Outlet Cover	
4	61161P	Heat Duct	Includes 23628 Screws, 59947 Outlet Cover and 81207 Speed Nut
5	56264	Screw	
6	51780	Screw	
7	60952	Heat Shield	
8	490P3	Thermal Fuse Kit	
9	56693	Screw	
10	23222	Screw	
11	61210	Thermostat	

# Heater Box

(Gas Models through Serial No. S6333959XM)



D014P

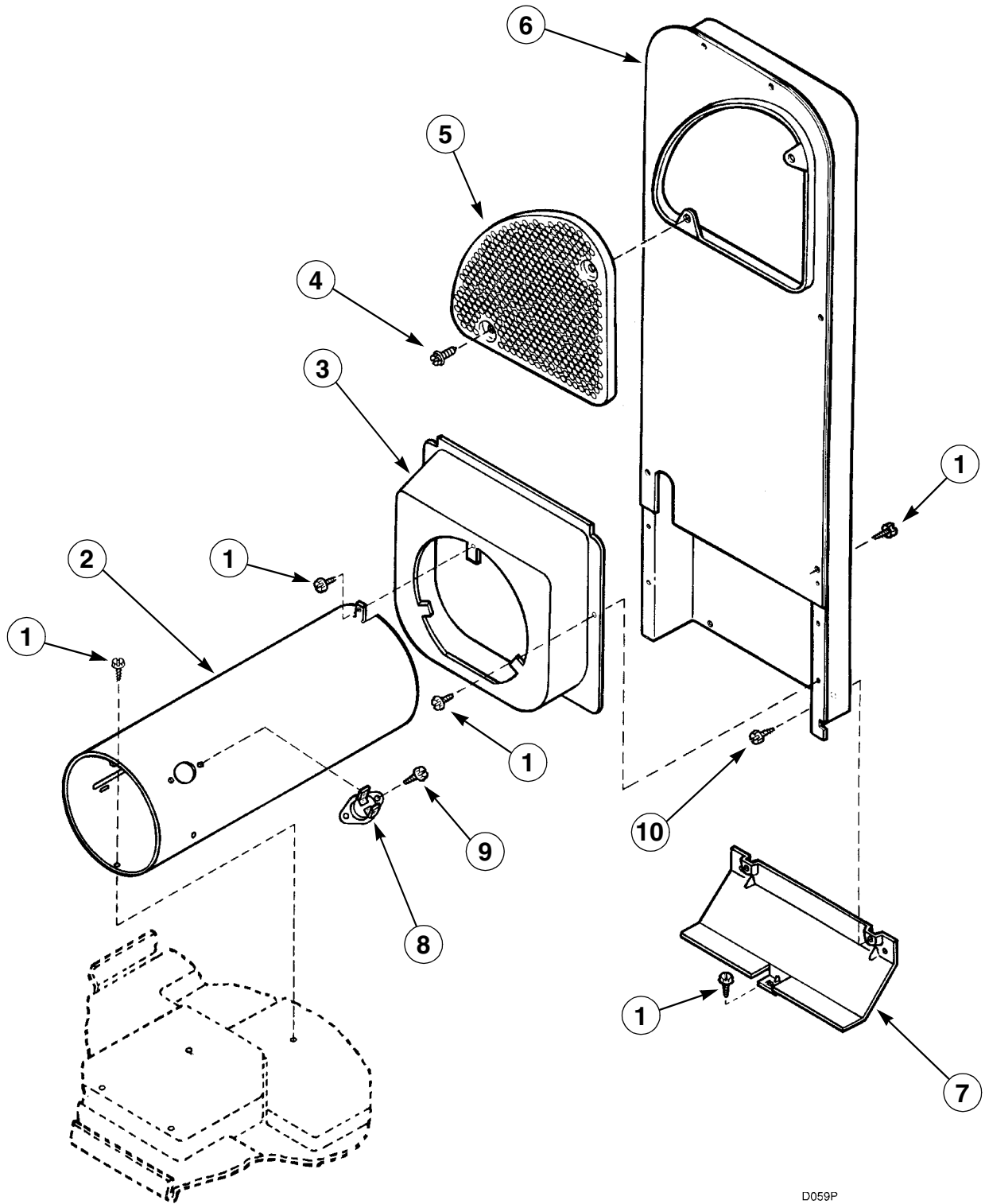
# Heater Box

(Gas Models through Serial No. S6333959XM)

REF	PART #	DESCRIPTION	COMMENTS
1	23628	Screw	
2	59947	Outlet Cover	
3	61161P	Heat Duct	Includes 23628 Screws, 59947 Outlet Cover and 81207 Speed Nut
4	56264	Screw	
5	58048	Heat Shield	
6	23222	Screw	
7	58366	Limit Thermostat	
8	56240	Burner Housing	
9	56237	Heat Shroud	
10	51780	Screw	

# Heater Box

(Gas Models starting with Serial No. S6333960XM)



D059P



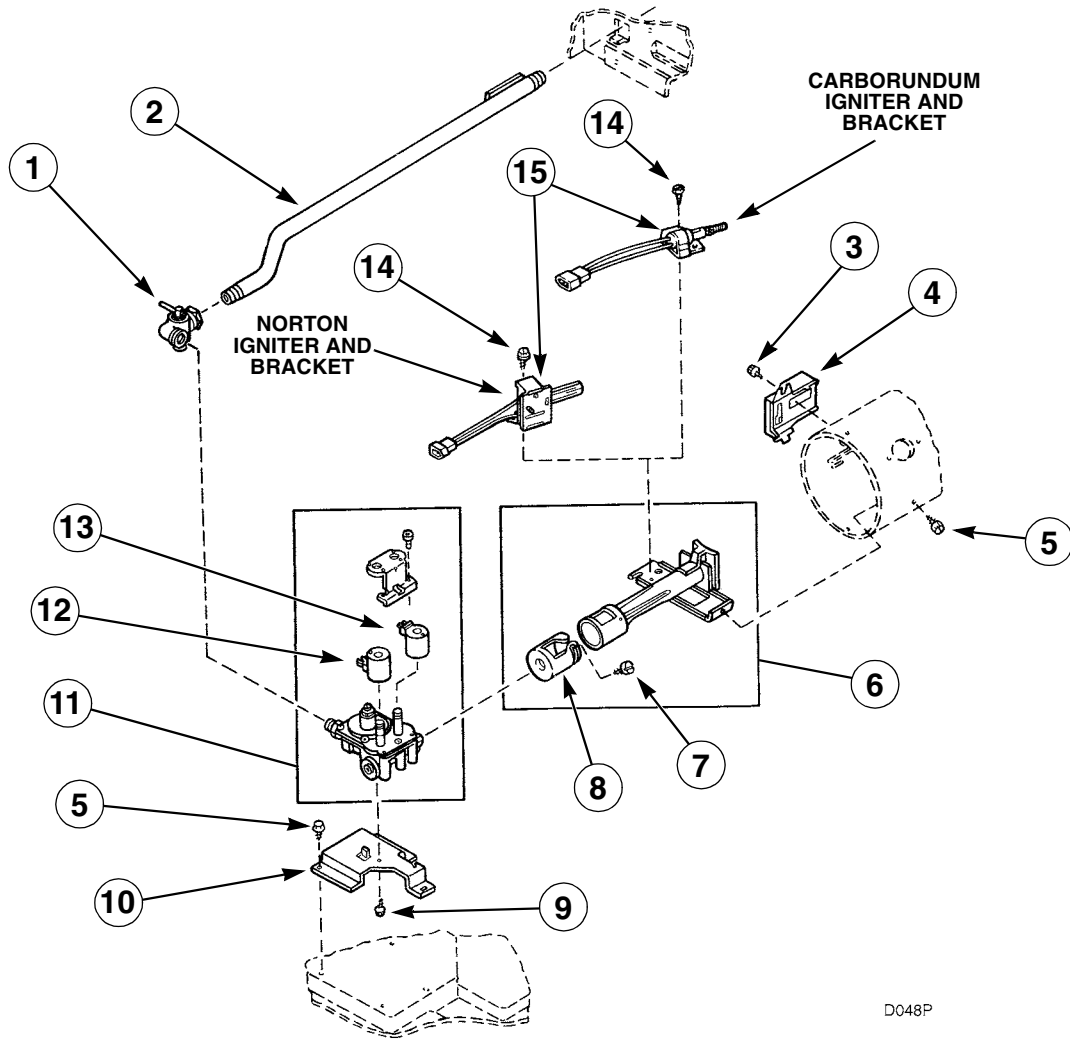
# Heater Box

(Gas Models starting with Serial No. S6333960XM)

REF	PART #	DESCRIPTION	COMMENTS
1	56264	Screw	
2	61974	Burner Housing	Includes the Limit Thermostat
3	60948	Heat Shroud	
4	23628	Screw	
5	59947	Outlet Cover	
6	61161P	Heat Duct	Includes 23628 Screws, 59947 Outlet Cover and 81207 Speed Nut
7	60952	Heat Shield	
8	489P3	Limit Thermostat Kit	
9	51782	Screw	
10	51780	Screw	

# Gas Valve, Igniter and Gas Conversion Kits

(Gas Models)



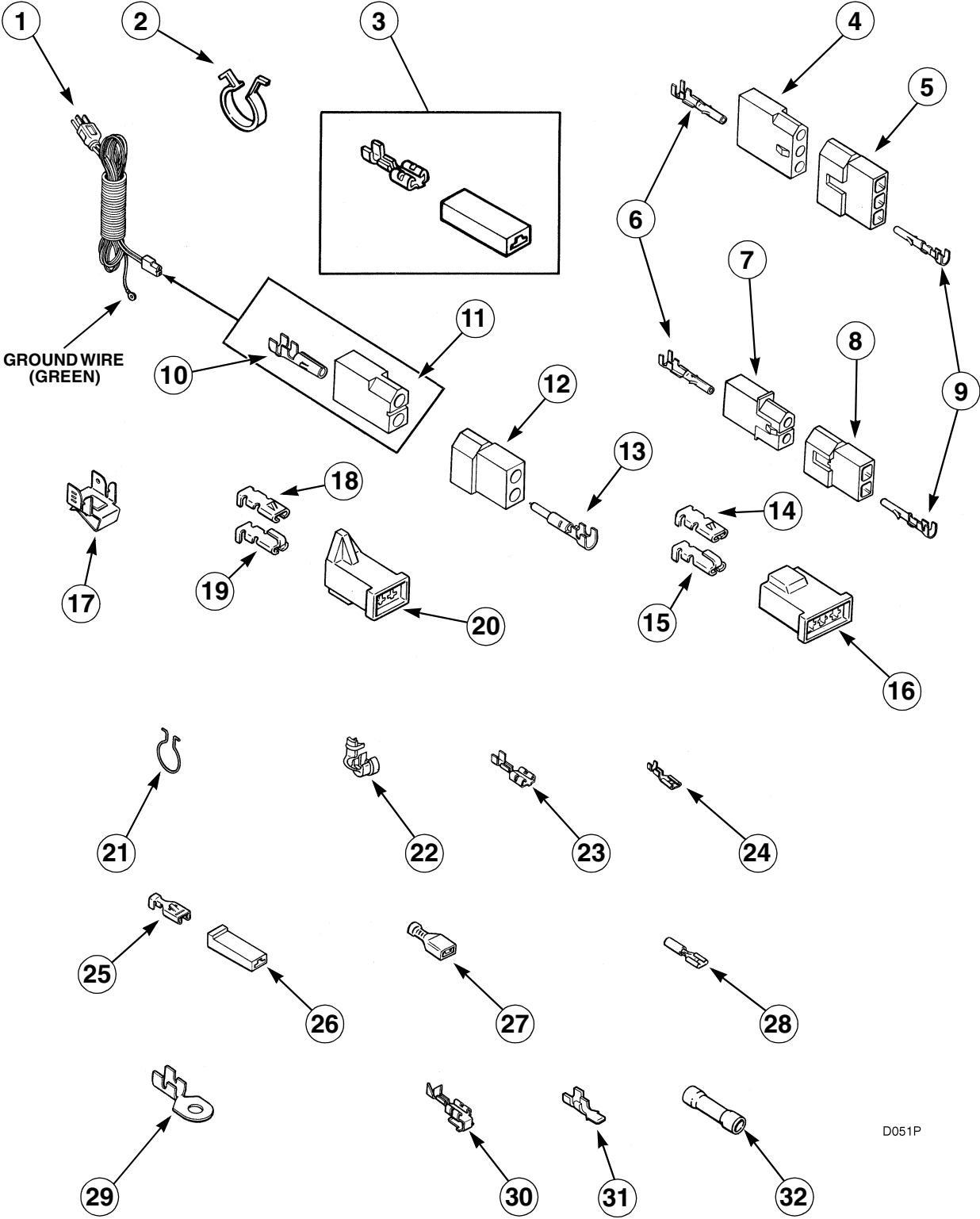
D048P

# Gas Valve, Igniter and Gas Conversion Kits

(Gas Models)

REF	PART #	DESCRIPTION	COMMENTS
	458P3	Gas Burner Conversion Kit	Used to convert dryers from Natural/Mixed to L.P. (Liquified Petroleum) Gas
	459P3	Gas Burner Conversion Kit	Used to convert dryers from L.P. to Natural/Mixed Gas
1	56229	Valve	
2	58911	Lead-in Pipe Assembly	
3	23222	Screw	
4	56231	Sensor	
5	56264	Screw	
6	56234	Burner Tube Assembly	
7	51356	Screw	
8	53007	Air Shutter	
9	56124	Screw	
10	58912	Mounting Bracket	
11	60353	Gas Valve Assembly	Natural/Mixed Gas
12	58804A	Holding and Booster Coil	
13	58804B	Secondary Coil	
14	56693	Screw	
15	60868	Igniter and Bracket	

# Power Cord and Terminals



D051P

## Power Cord and Terminals

REF	PART #	DESCRIPTION	COMMENTS
1	56222	Power Cord	Gas Models only
2	61510	Wire Clip	
3	00237	Insulated 1/4 Inch Spade Terminal	One 12 Gauge Wire or two 18 Gauge Wires
4	23039	Terminal Block Receptacle	
5	23040	Terminal Block Plug	
6	00117	Terminal	
7	56451	Terminal Block Receptacle	
8	56448	Terminal Block Plug	
9	00116	Terminal	
10	00130	Terminal	
11	56265	Terminal Block Receptacle	
12	56266	Terminal Block Plug	
13	00127	Terminal	
14	00189	Terminal	
15	00190	Terminal	Piggy Back
16	58800	Terminal Block	
17	00161	Ground Clip	
18	00189	Terminal	
19	00190	Terminal	Piggy Back
20	58799	Terminal Block	
21	51291	Wire Clip	
22	21903	Strain Relief	
23	00245	Spade Terminal	1/4 Inch – one 22 Gauge Wire
	00119	Spade Terminal	1/4 Inch – one 18 Gauge Wire
	00121	Spade Terminal	1/4 Inch – two 18 Gauge Wires or one 12 Gauge Wire
24	00124	Spade Terminal	3/16 Inch – one 18 Gauge Wire (.020 Tab)
	00209	Spade Terminal	3/16 Inch – two 18 Gauge Wires (.020 Tab)
	00156	Spade Terminal	3/16 Inch – Thermostat Wire (.032 Tab)
25	00115	Lock-in Spade Terminal	One 18 Gauge Wire
	00122	Lock-in Spade Terinal	Two 18 Gauge Wires or one 12 Gauge Wire
26	90789	Connector	
27	00165	Insulated Spade Terminal	3/16 Inch
	00163	Insulated Spade Terminal	1/4 Inch
28	00214	Barrel Insulated Spade Terminal	18 Gauge
	00215	Barrel Insulated Spade Terminal	12 Gauge
29	00110	Eyelet Terminal	One 18 Gauge Wire
	00111	Eyelet Terminal	Two 18 Gauge Wires or one 12 Gauge Wire
30	00114	Double Connector Terminal	
31	00138	Male Terminal	1/4 Inch – one 18 Gauge Wire
	00139	Male Terminal	1/4 Inch – two 18 Gauge Wires or one 12 Gauge Wire
32	30865	Butt Splice Connector	

## Wire Harnesses and Wires

Individual wires are not available separately. Order complete wire harness, or order wire by the foot. See chart at bottom of page.

MODEL NUMBER	WIRE HARNESS (Through Serial No. S6270865XG)	WIRE HARNESS (Starting with Serial No. S6270866XG)
EE1010	60384	61786
EG1020	60389	61792
EE1110	60368	61788
EG1120	60350	61789
EE1220 (Relay Harness)	59264	59264
EG1220 (Main Harness)	60350	61789
EE1510	60368	61788
EG1520	60350	61789

Order the individual wire color and gauge by the part number listed below. Order wire by the foot and terminals and connectors as required. It is recommended when applying terminals to wires that the terminals be soldered to the wires.

**IMPORTANT: Always replace wires with proper gauge.**

PART NO.	WIRE GAUGE	WIRE COLOR	PART NO.	WIRE GAUGE	WIRE COLOR
45000	18 Gauge Wire	White	45064	18 Gauge Wire	Blue/White
45001	18 Gauge Wire	Black	45065	18 Gauge Wire	Blue/Black
45002	18 Gauge Wire	Red	45066	18 Gauge Wire	Blue/Red
45003	18 Gauge Wire	Brown	45074	18 Gauge Wire	Gray/Black
45004	18 Gauge Wire	Pink	45080	18 Gauge Wire	Gray/Yellow
45005	18 Gauge Wire	Orange	45083	18 Gauge Wire	Yellow/Black
45006	18 Gauge Wire	Blue	45088	18 Gauge Wire	Yellow/Blue
45007	18 Gauge Wire	Gray	45091	18 Gauge Wire	Tan/White
45008	18 Gauge Wire	Yellow	45100	18 Gauge Wire	Green
45009	18 Gauge Wire	Tan	45103	18 Gauge Wire	Green/Red
45010	18 Gauge Wire	White/Black	45104	18 Gauge Wire	Purple
45011	18 Gauge Wire	White/Red	45250	14 Gauge Wire	White
45012	18 Gauge Wire	White/Brown	45251	14 Gauge Wire	Black
45014	18 Gauge Wire	White/Orange	45255	14 Gauge Wire	Orange
45015	18 Gauge Wire	White/Blue	45256	14 Gauge Wire	Blue

**IMPORTANT: Always replace wires with proper gauge.**

<b>PART NO.</b>	<b>WIRE GAUGE</b>	<b>WIRE COLOR</b>	<b>PART NO.</b>	<b>WIRE GAUGE</b>	<b>WIRE COLOR</b>
45016	18 Gauge Wire	White/Gray	45258	14 Gauge Wire	Yellow
45019	18 Gauge Wire	Black/White	45333	14 Gauge Wire	Yellow/Black
45022	18 Gauge Wire	Black/Pink	45350	14 Gauge Wire	Green
45026	18 Gauge Wire	Black/Yellow	45353	14 Gauge Wire	Green/White
45029	18 Gauge Wire	Red/Black	45375	12 Gauge Wire	White
45035	18 Gauge Wire	Red/Yellow	45376	12 Gauge Wire	Black
45037	18 Gauge Wire	Brown/White	45377	12 Gauge Wire	Red
45039	18 Gauge Wire	Brown/Red	45378	12 Gauge Wire	Brown
45044	18 Gauge Wire	Brown/Yellow	45380	12 Gauge Wire	Orange
45047	18 Gauge Wire	Pink/Black	45381	12 Gauge Wire	Blue
45051	18 Gauge Wire	Pink/Blue	45383	12 Gauge Wire	Yellow
45053	18 Gauge Wire	Pink/Yellow	45404	12 Gauge Wire	Red/Black
45056	18 Gauge Wire	Orange/Black	45422	12 Gauge Wire	Pink/Black
45060	18 Gauge Wire	Orange/Blue	45431	12 Gauge Wire	Orange/Black
45061	18 Gauge Wire	Orange/Gray	45475	12 Gauge Wire	Green
			45480	12 Gauge Wire	Purple

# Parts Index

---

## A

Access Door	
60795 .....	19
Access Plate	
60821 .....	27
Accumulator	
59228 .....	9
61309 .....	11
Accumulator Mounting Bracket	
60835 .....	5
Air Duct	
60786 .....	21
Air Shutter	
53007 .....	41
Anti-seize Compound	
27604P .....	25

---

## B

Barrel Insulated Spade Terminal	
00214 .....	43
00215 .....	43
Base	
60811 .....	27
Belt	
59174 .....	25
Bracket	
56055 .....	23
Bumper	
56938 .....	21
Bumper Pad	
56128 .....	27
Burner Housing	
56240 .....	37
61974 .....	39
Burner Tube Assembly	
56234 .....	41
Butt Splice Connector	
30865 .....	43

---

## C

Cabinet	
60813 .....	27
Cabinet Top	
60355 .....	17
Cap Screw	
02916 .....	7, 13
56159 .....	5
Carriage Bolt	
02505 .....	5
Carriage Screw	
02505 .....	15
Connector	
90789 .....	43
Control Hood	
60357 .....	13

Control Hood Assembly	
60393 .....	15
Control Hood Rear Cover	
60367 .....	13
Control Knob Assembly	
30588 .....	13, 15
Control Panel and Bracket Assembly	
60441 .....	13, 15
Control Panel Overlay	
60362 .....	13
60402 .....	15
Counter	
61436 .....	5
Counter Kit	
62113P .....	5
Counter Mounting Bracket	
61307 .....	5
Cover Plate	
30425 .....	15
Cupped Washer	
51474 .....	23, 29
Cylinder Assembly	
60645P .....	21
Cylinder Baffle	
56013 .....	21
61027 .....	21
Cylinder Glide	
61448 .....	21
Cylinder Roller Assembly	
56285P .....	23

---

## D

Door Assembly	
62300 .....	19
Door Handle	
54078P .....	19
61925 .....	19
Door Hinge	
56045 .....	19
Door Seal	
61379 .....	19
Door Stiker	
54661 .....	19
Door Switch	
57012 .....	19
Double Connector Terminal	
00114 .....	43

---

## E

Exhaust Duct	
56118 .....	27
Exhaust Fan Cover	
60818 .....	25
Exhaust Fan Housing	
56020 .....	25
Exhaust Fan Impeller	
56000 .....	25



Eyelet Terminal	
00110 .....	43
00111 .....	43

---

## F

Felt Pad	
58049 .....	21
Felt Seal	
56088 .....	21, 23
Front Bulkhead Assembly	
60774P .....	21
Front Panel	
62420 .....	19
62424 .....	19
Front Panel Seal	
61380 .....	19

---

## G

Gas Burner Conversion Kit	
458P3 .....	41
459P3 .....	41
Gas Valve Assembly	
60353 .....	41
Ground Clip	
00161 .....	43
Guide Lug	
56079 .....	19, 27

---

## H

Heat Duct	
61161P .....	33, 35, 37, 39
Heat Shield	
58048 .....	33, 37
60952 .....	35, 39
Heat Shroud	
56237 .....	37
60948 .....	39
Heater Assembly	
61927 .....	35
61928 .....	35
Heater Element and Plate	
61927 .....	33
61928 .....	33
Hex Head Screw	
25723 .....	5
High Thermostat	
57015 .....	25
Hinge	
60826 .....	27
Hold-down Clip	
28835 .....	19
Holding and Booster Coil	
58804A .....	41

---

## I

Idler Lever	
56057 .....	25
Idler Pulley	
54414 .....	25
Idler Pulley and Lever Assembly	
56170 .....	25
Igniter and Bracket	
60868 .....	41
Index Spring	
53238 .....	9, 11
Indicator Light	
32464 .....	13, 15
Inner Door Panel	
62152P .....	19
Instruction Plate	
58861 .....	15
Instruction Sticker	
55969 .....	5
58646 .....	7
Insulated Spade Terminal	
00163 .....	43
00165 .....	43
Insulated 1/4 Inch Spade Terminal	
00237 .....	43
Insulator Set	
57408 .....	33

---

## K

Knurled Nut	
24205 .....	13, 15

---

## L

Lead-in Pipe Assembly	
58911 .....	41
Leveling Leg	
52696 .....	27
Limit Thermostat	
56082 .....	33
58366 .....	37
Limit Thermostat Kit	
489P3 .....	39
Lint Filter	
61376P .....	21
Lock Plug	
57916 .....	15
Lock-in Spade Terminal	
00122 .....	43
Lock-in Spade Terminal	
00115 .....	43
Locking Bracket	
30642 .....	5

Locknut	
51236 .....	7, 19
52566 .....	25
56156 .....	23, 25
Lockwasher	
02431 .....	5, 7, 13, 15
21734 .....	5, 7
91176 .....	13, 15

---

## M

Male Terminal	
00138 .....	43
00139 .....	43
Meter Case	
31860 .....	5
Meter Case Gasket	
26354 .....	5
Motor	
58044 .....	25
Motor Clamp	
58047 .....	25
Motor Mounting Bracket	
60816 .....	25
Motor Pulley Assembly	
59173 .....	25
Motor Switch	
53226 .....	25
53249 .....	25
59895 .....	25
Mounting Bracket	
58912 .....	41

---

## N

Nut	
Q6163 .....	29, 33
20274 .....	27
20275 .....	5, 7, 13, 15
52947 .....	13, 15
Nylon Bushing	
53262 .....	9, 11

---

## O

Outer Door Panel	
62153 .....	19
Outlet Cover	
59947 .....	33, 35, 37, 39

---

## P

Pad	
56968 .....	17
Pan Head Screw	
30645 .....	5
Pawl Spring	
53244 .....	9, 11

Power Cord	
56222 .....	43
Push-to-Start Switch Assembly	
55882 .....	13, 15

---

## R

Ratchet Wheel	
53239 .....	9, 11
Rear Bulkhead	
61135P .....	23
Relay	
30616 .....	15
31738 .....	15
Retainer Nut	
30647 .....	5
Retainer Ring	
23748 .....	25
Return Spring	
53261 .....	9, 11
Rivet	
26351 .....	7
Roller Bracket	
56042 .....	23
Rubber Cup	
70282 .....	27

---

## S

Screw	
Q6535 .....	29
03203 .....	5
20268 .....	15
20375 .....	7
20530 .....	5, 17, 29, 31
22649 .....	19
23222 .....	15, 25, 33, 35, 37, 41
23628 .....	21, 23, 33, 35, 37, 39
23962 .....	21, 25
25232 .....	21
25723 .....	17, 21, 23, 27, 29, 31
32671 .....	19, 27
51356 .....	41
51778 .....	7
51780 .....	5, 23, 25, 33, 35, 37, 39
51782 .....	39
52150 .....	19, 25
52864 .....	13, 15, 19
52909 .....	23
55985 .....	7, 13, 15
56078 .....	23
56124 .....	41
56131 .....	21
56264 .....	25, 27, 33, 35, 37, 39, 41
56392 .....	21, 27
56693 .....	35, 41
57444 .....	19
58637 .....	19
61199 .....	31
61200 .....	31
61420 .....	5

Screw and Lockwasher	
03950 .....	5
Seal	
56065 .....	25
Seal Strap	
56090 .....	21, 23
Secondary Coil	
58804B .....	41
Sensor	
56231 .....	41
Service Door	
31861 .....	5
Set Screw	
20310 .....	13, 15
25285 .....	7
52906 .....	25
Shaft	
56461 .....	25
Shoulder Bolt	
56587 .....	25
Slide Extension	
61031 .....	5
Spade Terminal	
00119 .....	43
00121 .....	43
00124 .....	43
00156 .....	43
00209 .....	43
00245 .....	43
Speed Nut	
23407 .....	19
80077 .....	5
Spring	
56076 .....	25
Sticker	
24903 .....	17, 27
56427 .....	19, 27
58854 .....	19
58866 .....	27
61206 .....	27
61294 .....	27
Strain Relief	
21903 .....	43
Strap Spring	
52310 .....	21, 23
Stricker	
56542 .....	19
Striker Catch	
54660 .....	19
Support	
56534 .....	19
Switch	
53236 .....	9, 11
61468 .....	11

## T

Temperature Selector Switch	
56576 .....	13, 15
61512 .....	13, 15
Terminal	
00116 .....	43
00117 .....	43
00127 .....	43
00130 .....	43
00189 .....	43
00190 .....	43
Terminal Block	
58555 .....	29
58799 .....	43
58800 .....	43
61923P .....	31
Terminal Block Bracket	
60823 .....	23
Terminal Block Insulation	
56087 .....	29, 31
Terminal Block Plug	
23040 .....	43
56266 .....	43
56448 .....	43
Terminal Block Receptacle	
23039 .....	43
56265 .....	43
56451 .....	43
Thermal Fuse Kit	
490P3 .....	35
Thermostat	
56470 .....	25
61210 .....	35
61625 .....	25
Thermostat Heater	
61623 .....	25
Timer	
58895 .....	15
Timer Assembly	
58635 .....	7
Timer Bracket Assembly	
61017 .....	15
Timer Case	
32828W .....	7
Timer Knob Assembly	
54678 .....	7
Timer Plate	
58634W .....	7
Timer Space	
56502 .....	7

Timing Cam	
53240 .....	9, 11
53241 .....	9, 11
53242 .....	9, 11
53243 .....	9, 11
Timing Motor	
53235P .....	9, 11
Top Brace	
56486 .....	17

---

## V

Valve	
56229 .....	41

---

## W

Washer	
20279 .....	7, 23
20492 .....	25
21147 .....	19
30627 .....	5
30644 .....	5
30648 .....	5
52549 .....	25
56552 .....	29, 33
Wire Clip	
51291 .....	43
61510 .....	43
Wire Harness	
59296 .....	5
61310 .....	5
62115 .....	5
Wire Tie	
55881 .....	5