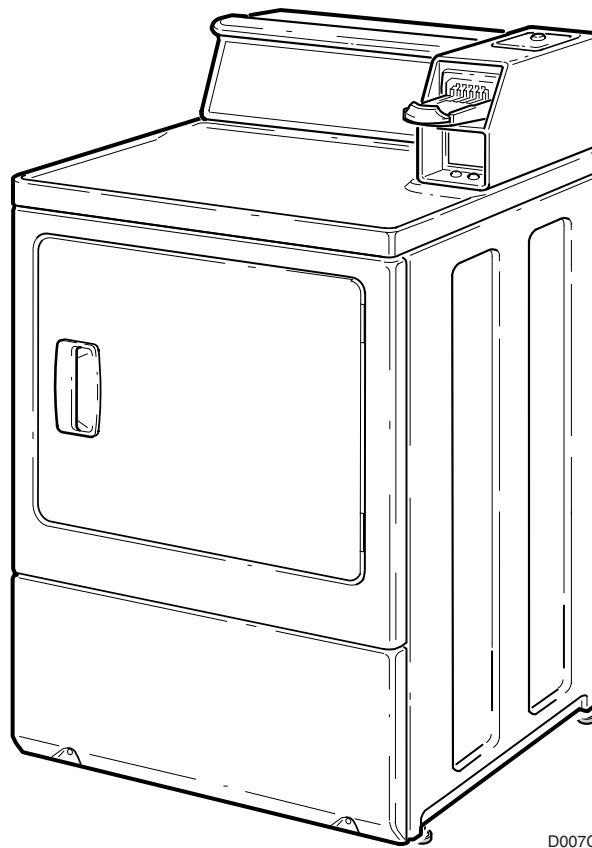


# Dryers

Metered and Nonmetered  
See Page 3 for Model Numbers



D007C

# Table of Contents

Title	Page
Parts Ordering Information .....	2
Nameplate Location .....	2
Model Identification .....	3
Timer (Nonmetered) .....	4
Meter Case (Coin Slide Ready and Computerized Audit) .....	6
Meter Case (Coin Slide Ready and Computerized Audit) .....	8
Coin Slide Security .....	10
Meter Case (Coin Drop).....	12
Meter Case (Coin Drop).....	14
Two Switch Timer .....	16
Three Switch Timer.....	18
Graphic Panel, Control Hood and Controls .....	20
Control Panel, Control Hood and Controls .....	22
Control Panel, Control Hood and Controls .....	24
Control Panel, Control Hood and Electronic Control .....	26
Cabinet Top and Control Hood Rear Panel .....	28
Cabinet Top .....	30
Loading Door .....	32
Access Panel, Front Panel and Seal .....	34
Motor, Exhaust Fan and Belt .....	36
Motor, Exhaust Fan and Belt (Optional) .....	38
Front Bulkhead, Air Duct, Felt Seal and Cylinder .....	40
Rear Bulkhead, Felt Seal, Cylinder Roller and Terminal Block .....	42
Heater Duct and Element Assembly.....	44
Heater Duct Assembly Replacement.....	46
Heater Duct Assembly .....	48
Gas Valve, Igniter and Gas Conversion Kits .....	50
Cabinet, Exhaust Duct and Base .....	52
Power Cord.....	54
Terminal Block and Terminals .....	56
Terminals .....	58
Motor Connection Block, Terminal Extractor Tools .....	60
Wire Harnesses and Wires .....	62
Parts Index.....	63

© Copyright 2000, Alliance Laundry Systems LLC

All rights reserved. No part of the contents of this book may be reproduced or transmitted in any form or by any means without the expressed written consent of the publisher.

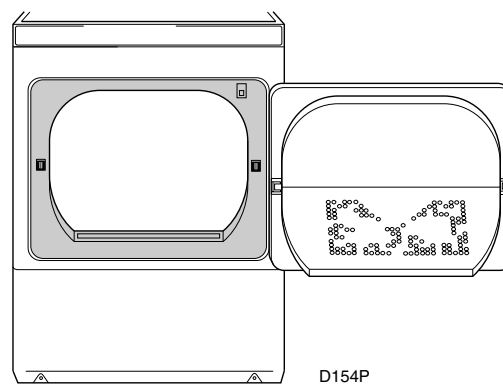
## Parts Ordering Information

If literature or replacement parts are required, contact the source from whom the machine was purchased or contact Alliance Laundry Systems at (920) 748-3950 for the name and address of the nearest authorized parts distributor.

For technical assistance, call (920) 748-3121.

## Nameplate Location

When calling or writing about your product, be sure to mention model and serial numbers. Model and serial numbers are located on nameplate(s) as shown.



## Model Identification

Information in this manual is applicable to these dryers.

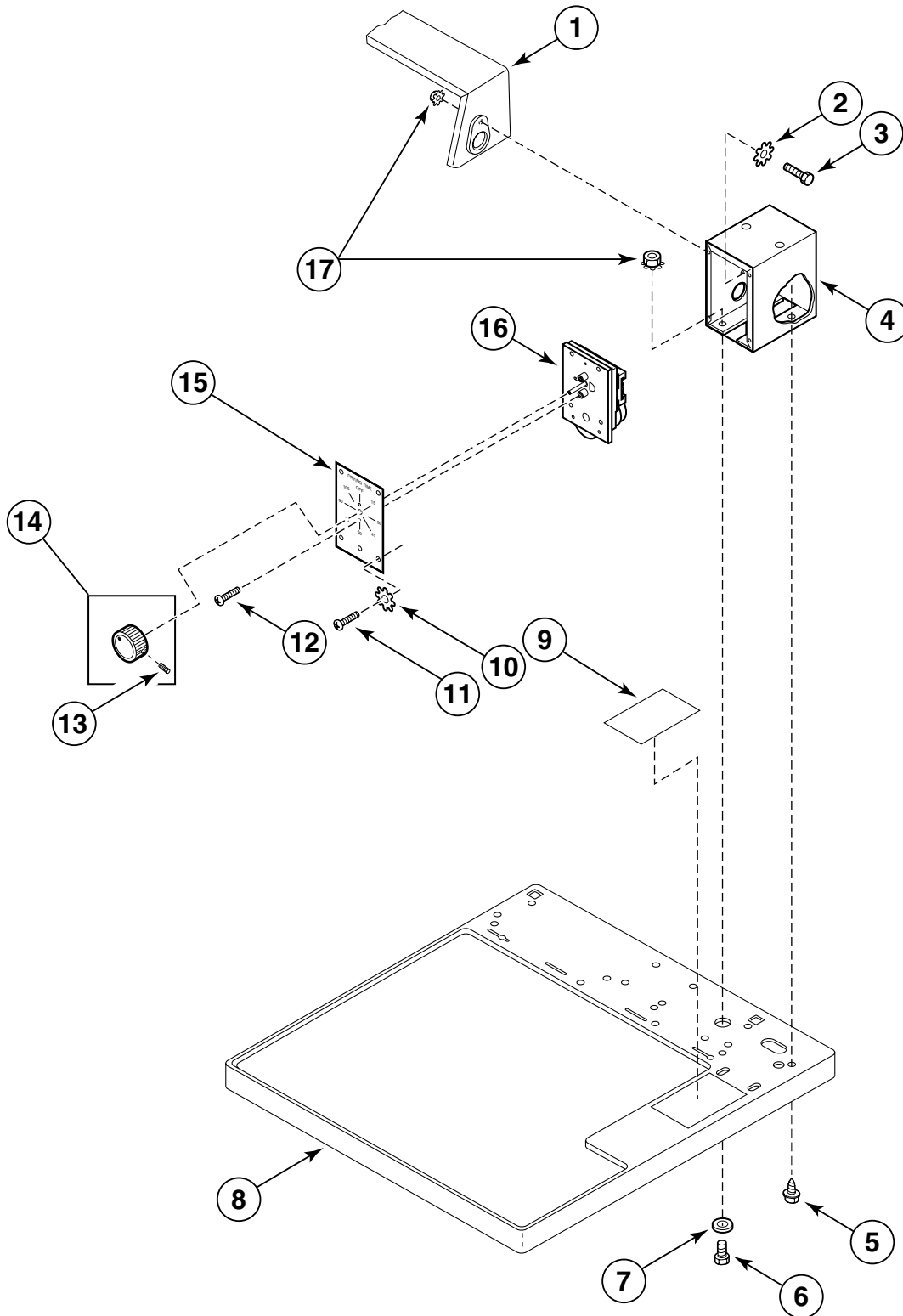
Dryer Model	Nonmetered Model	Metered Model	Audit	Computerized Audit	Coin Slide	Coin Drop Installed	Electric Heat	Gas Heat
AEM497*	X						X	
AEM497*299F6	X						X	
AGM499*	X							X
DDE007*	X						X	
DDG009*	X							X
EE2007*	X						X	
EE2007*T	X						X	
EE2007*T1500	X						X	
EE2107*		X			X		X	
EE2107*T		X			X		X	
EE2107*T1500		X			X		X	
EE2107*A		X			X		X	
EE2507*		X	X		X		X	
EE2507*T		X	X		X		X	
EE2507*T1500		X	X		X		X	
EE2507*A		X	X		X		X	
EE2607*		X		X	X		X	
EE2607*T		X		X	X		X	
EE2607*T1500		X		X	X		X	
EE2607*A		X		X	X		X	
EE2807*		X				X	X	
EE2807*M		X				X	X	
EE2807*T		X				X	X	
EE2807*T1500		X				X	X	
EE2907*		X				X	X	
EE2907*M		X					X	
EEJ907*T	X						X	
EG2009*	X							X
EG2009*T	X							X
EG2009*T1188	X							X
EG2009*-1188	X							X
EG2109*		X			X			X
EG2109*T		X			X			X
EG2109*A		X			X			X
EG2509*		X	X		X			X
EG2509*T		X	X		X			X
EG2509*A		X	X		X			X
EG2609*		X		X	X			X
EG2609*T		X		X	X			X
EG2609*A		X		X	X			X
EG2809*		X				X		X
EG2809*M		X				X		X
EG2809*T		X				X		X
EG2909*		X				X		X
EG2909*M		X						X
EGJ909*T	X							X
ZE2007*	X						X	
ZE2107*		X			X		X	
ZG2009*	X							X
ZG2109*		X			X			X

\* Add Letter To Designate Color. L – Almond W – White



# Timer (Nonmetered)

(Models DDE007\*, DDG009\*, EE2007\*, EE2007\*T, EE2007\*T1500, EEJ907\*T, EG2009\*, EG2009\*T, EG2009\*T1188, EG2009\*-1188, EGJ909\*T, ZE2007\* AND ZG2009\*)



D124PZ3D

\* Add Letter To Designate Color. L – Almond W – White

## Timer (Nonmetered)

(Models DDE007\*, DDG009\*, EE2007\*, EE2007\*T, EE2007\*T1500, EEJ907\*T, EG2009\*, EG2009\*T, EG2009\*T1188, EG2009\*-1188, EGJ909\*T, ZE2007\* AND ZG2009\*)

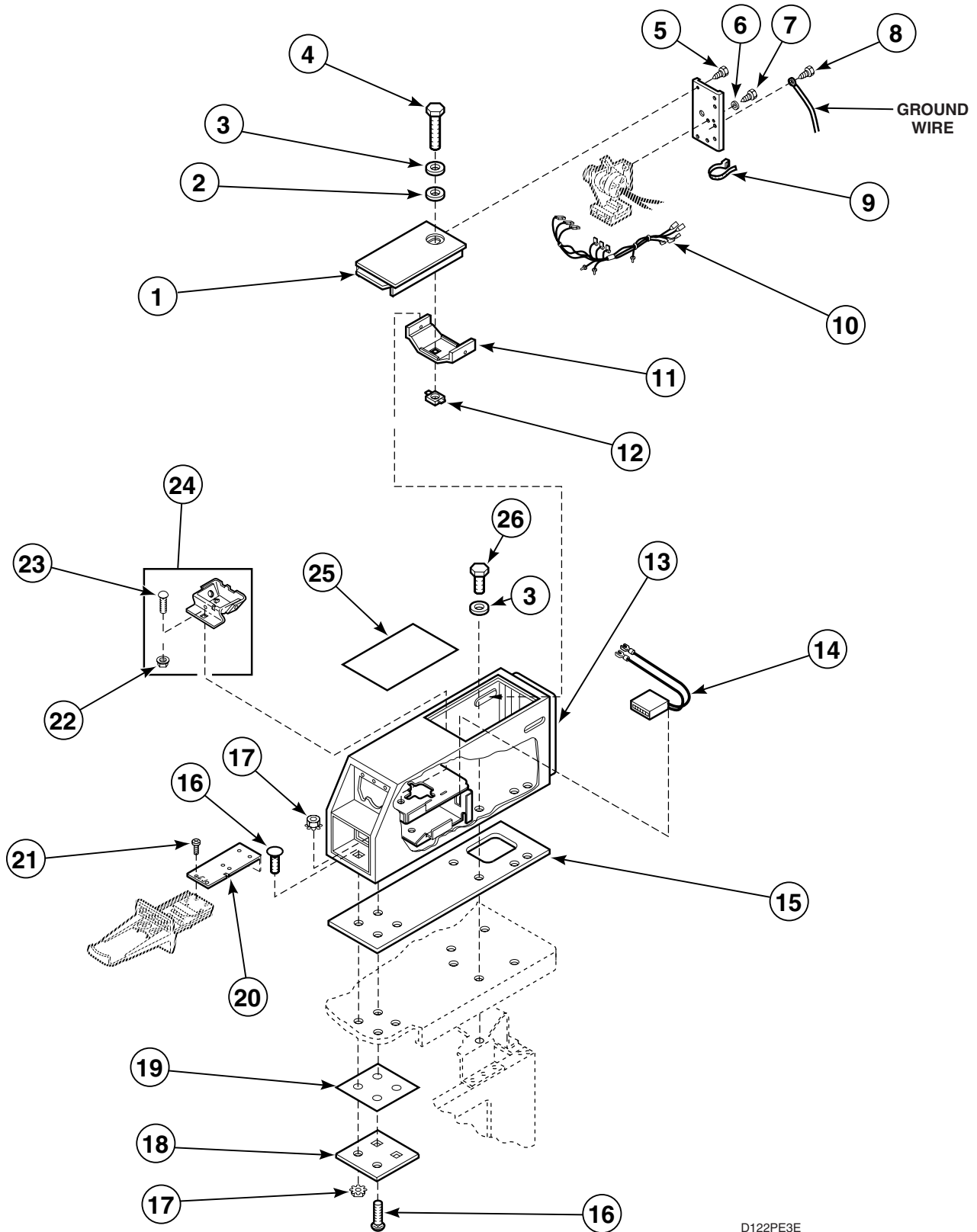
REF	PART #	DESCRIPTION	COMMENTS
1	502567*	Control Hood	
2	02431	Lockwasher	
3	02916	Cap Screw	
4	37733*	Timer Case	
5	501086	Screw	
6	02916	Cap Screw	
7	20279	Washer	
8	510031*P	Cabinet Top	
9	500490	Label	
10	03815	Lockwasher	
11	51778	Screw	
12	27328	Screw	
13	20310	Set Screw	
14	54678	Timer Knob Assembly	
15	500921*	Timer Plate Assembly	
16	510524	Timer	120 Volt, 60 Hertz
17	29786	Keps Nut	

\* Add Letter To Designate Color. L – Almond W – White

**NOTE: Items 9 through 16 are not used on Models EEJ907\*T and EGJ909\*T.**

# Meter Case (Coin Slide Ready and Computerized Audit)

(Models EE2107\*, EE2107\*T, EE2107\*T1500, EE2507\*, EE2507\*A, EE2507\*T, EE2507\*T1500, EG2109\*, EG2109\*A, EG2109\*T, EG2509\*, EG2509\*A, EG2509\*T, ZE2107\* and ZG2109\*)



D122PE3E

\* Add Letter To Designate Color. L – Almond W – White



# Meter Case (Coin Slide Ready and Computerized Audit)

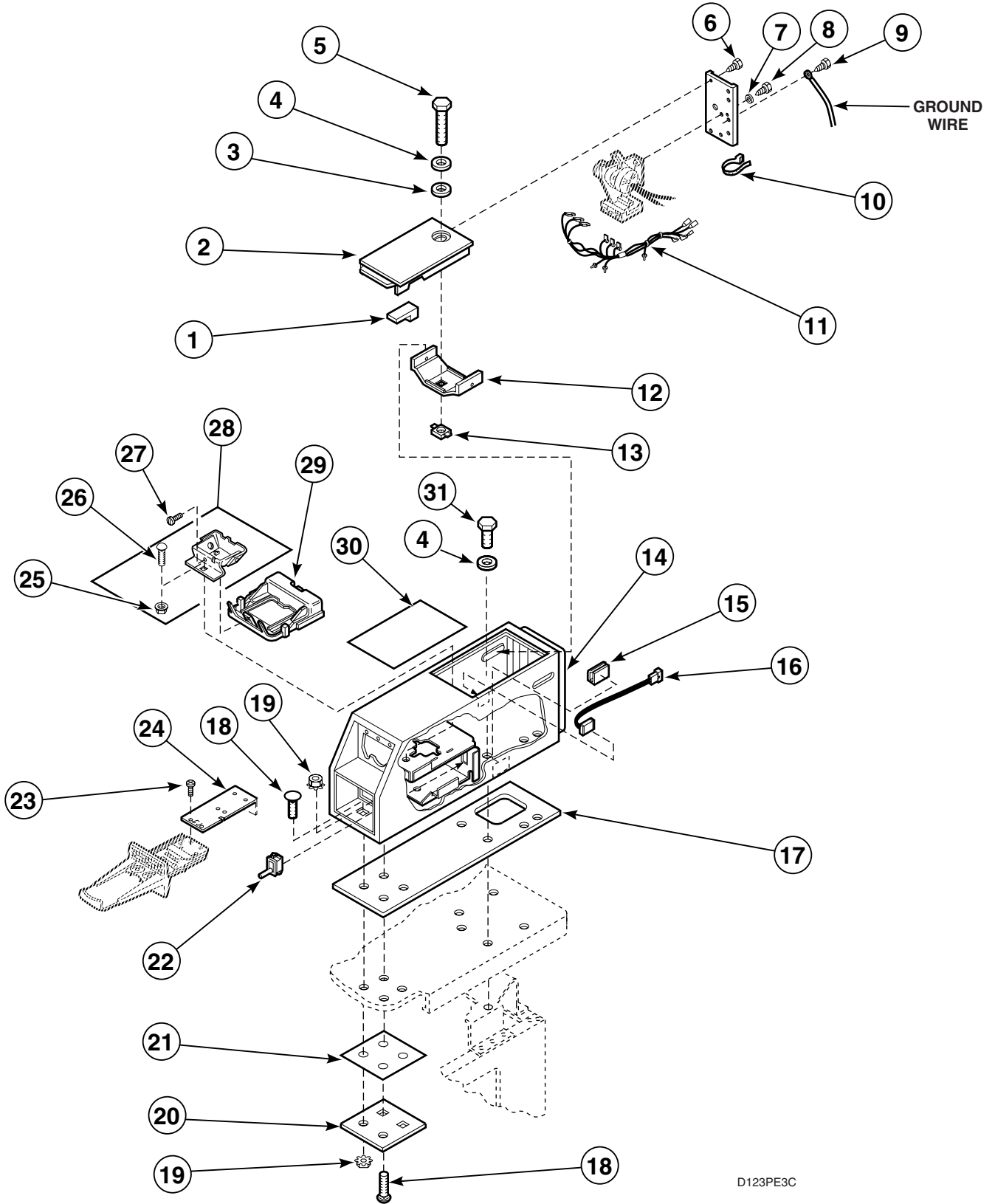
(Models EE2107\*, EE2107\*T, EE2107\*T1500, EE2507\*, EE2507\*A, EE2507\*T, EE2507\*T1500, EG2109\*, EG2109\*A, EG2109\*T, EG2509\*, EG2509\*A, EG2509\*T, ZE2107\* and ZG2109\*)

REF	PART #	DESCRIPTION	COMMENTS
1	35798*	Service Door	
2	35774	Washer	Vinyl
3	35917	Washer	Metal
4	503673	Hex Head Screw	
5	33562	Screw	
6	21734	Lockwasher	
7	03203	Screw	
8	20530	Screw	
9	55881	Harness Strap	
10	59296	Wire Harness	All models with 2107 or 2109 suffix
	62672	Wire Harness	All models with 2507 or 2509 suffix
11	30642	Locking Bracket	
12	30647	Retainer Nut	
13	524P3*	Meter Case	Includes 523P3 Coin Funnel Kit
14	62113P	Counter Kit	All models with 2507 or 2509 suffix
15	26354	Meter Case Gasket	
16	02505	Carriage Bolt	
17	29786	Locknut	
18	35525	Bracket	
19	35526	Gasket	
20	503455	Slide Extension	
21	03950	Screw	
22	29796	Nut	
23	29651	Bolt	
24	523P3	Coin Funnel Kit	
25	500628	Label	
26	36048	Screw	

\* Add Letter To Designate Color. L – Almond W – White

# Meter Case (Coin Slide Ready and Computerized Audit)

(Models EE2607\*, EE2607\*T, EE2607\*T1500, EE2607\*A, EG2609\*, EG2609\*T and EG2609\*A)



D123PE3C

\* Add Letter To Designate Color. L – Almond W – White

# Meter Case (Coin Slide Ready and Computerized Audit)

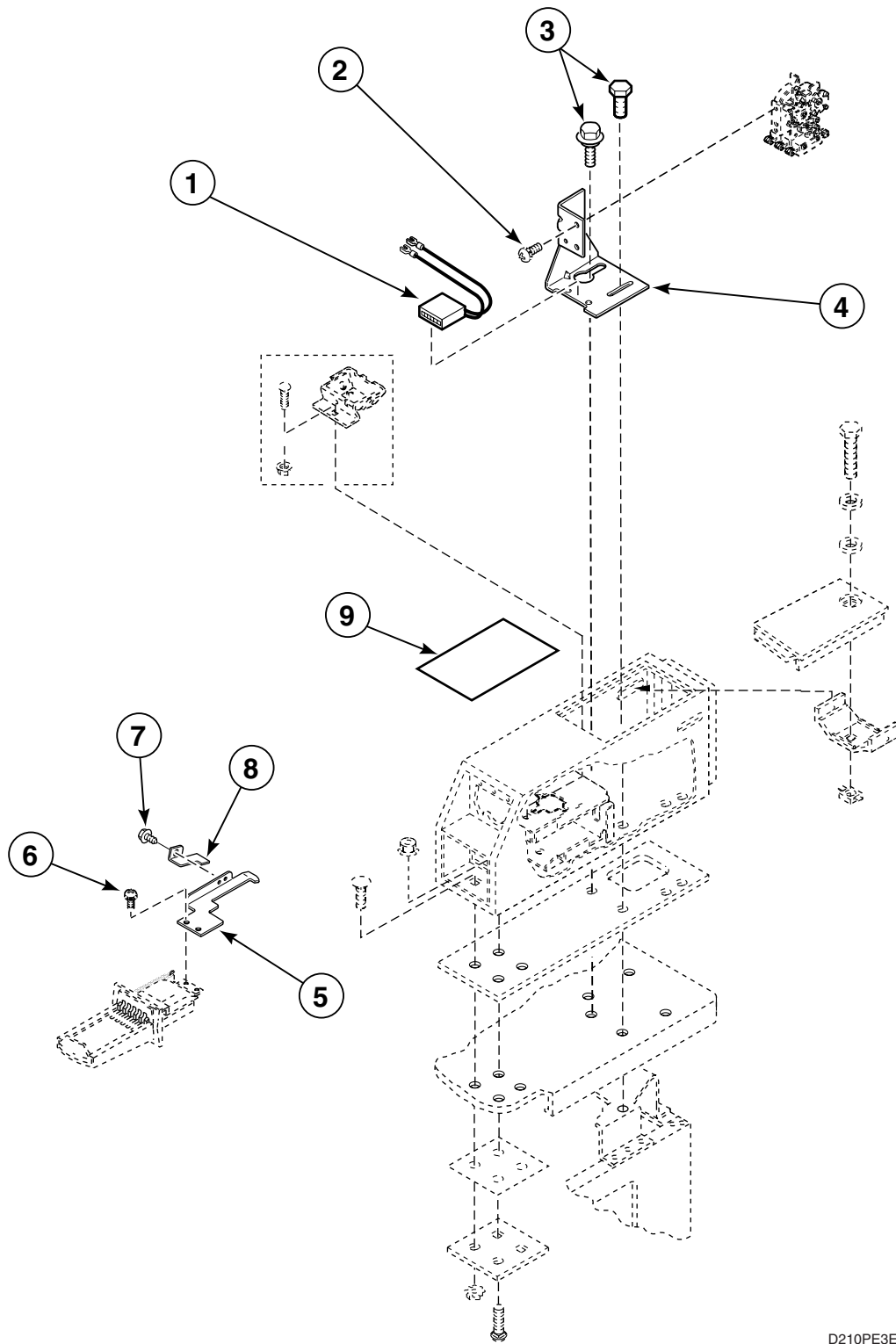
(Models EE2607\*, EE2607\*T, EE2607\*T1500, EE2607\*A, EG2609\*, EG2609\*T and EG2609\*A)

REF	PART #	DESCRIPTION	COMMENTS
1	501453	Magnet	
2	35798*	Service Door	
3	35774	Washer	Vinyl
4	35917	Washer	Metal
5	503673	Flat Head Screw	
6	33562	Screw	
7	21734	Lockwasher	
8	03203	Screw	
9	20530	Screw	
10	55881	Harness Strap	
11	62672	Wire Harness	
12	30642	Locking Bracket	
13	30647	Retainer Nut	
14	524P3*	Meter Case	Includes 523P3 Coin Funnel Kit
15	35521	Wire Harness Clip	
16	34599	Switch	
17	26354	Meter Case Gasket	
18	02505	Carriage Bolt	
19	29786	Locknut	
20	35525	Bracket	
21	35526	Gasket	
22	34536	Switch	
23	03950	Screw	
24	503455	Slide Extension	
25	29796	Nut	
26	29651	Bolt	
27	31260	Screw	
28	523P3	Coin Funnel Kit	
29	35026	Sensor Control	
30	500628	Label	
31	36048	Screw	

\* Add Letter To Designate Color. L – Almond W – White

# Coin Slide Security

(Models EE2107\*A, EE2507\*A, EE2607\*A, EG2109\*A, EE2509\*A and EG2609\*A)



D210PE3E

\* Add Letter To Designate Color. L – Almond W – White

# Coin Slide Security

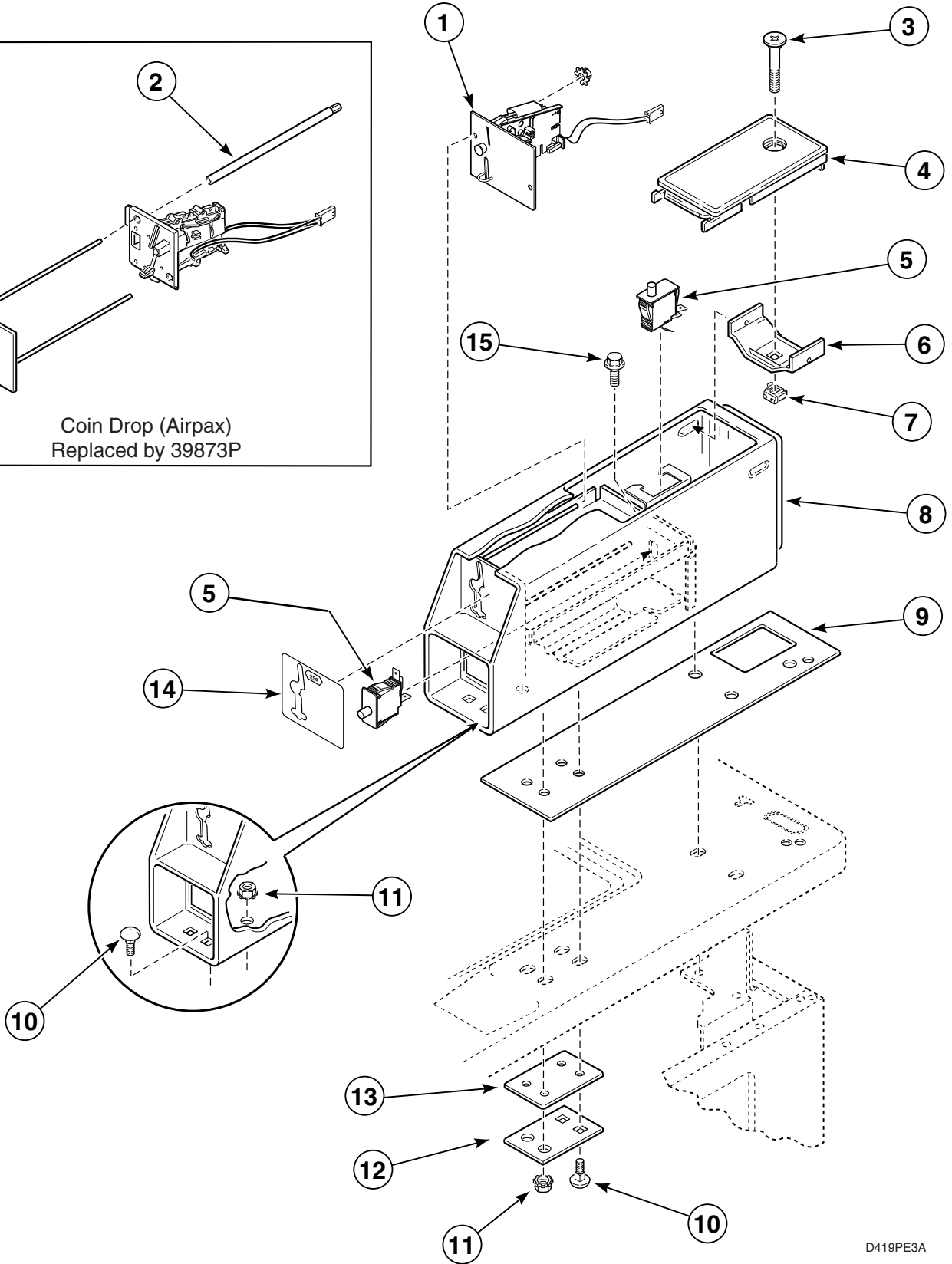
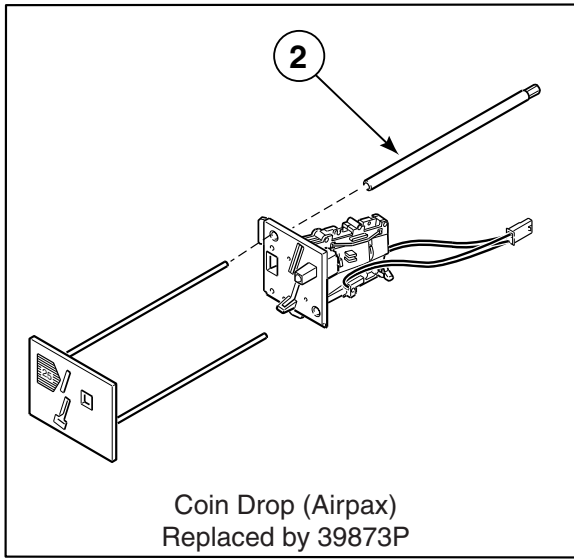
(Models EE2107\*A, EE2507\*A, EE2607\*A, EG2109\*A, EE2509\*A and EG2609\*A)

REF	PART #	DESCRIPTION	COMMENTS
1	502113	Counter	Models EE2507*A and EG2509*A
2	03203	Screw	
3	502431	Screw	
4	503315	Timer Bracket	
5	553P3	Coin Slide Extension Kit	
6	03950	Screw	
7	501086	Screw	
8	501796	Coin Slide Modifier	
9	500628	Label	

\* Add Letter To Designate Color. L – Almond W – White

# Meter Case (Coin Drop)

(Models EE2807\*, EE2807\*T, EE2807\*T1500, EE2907\*, EG2809\*, EG2809\*T and EG2909\*)



D419PE3A

\* Add Letter To Designate Color. L – Almond W – White

## Meter Case (Coin Drop)

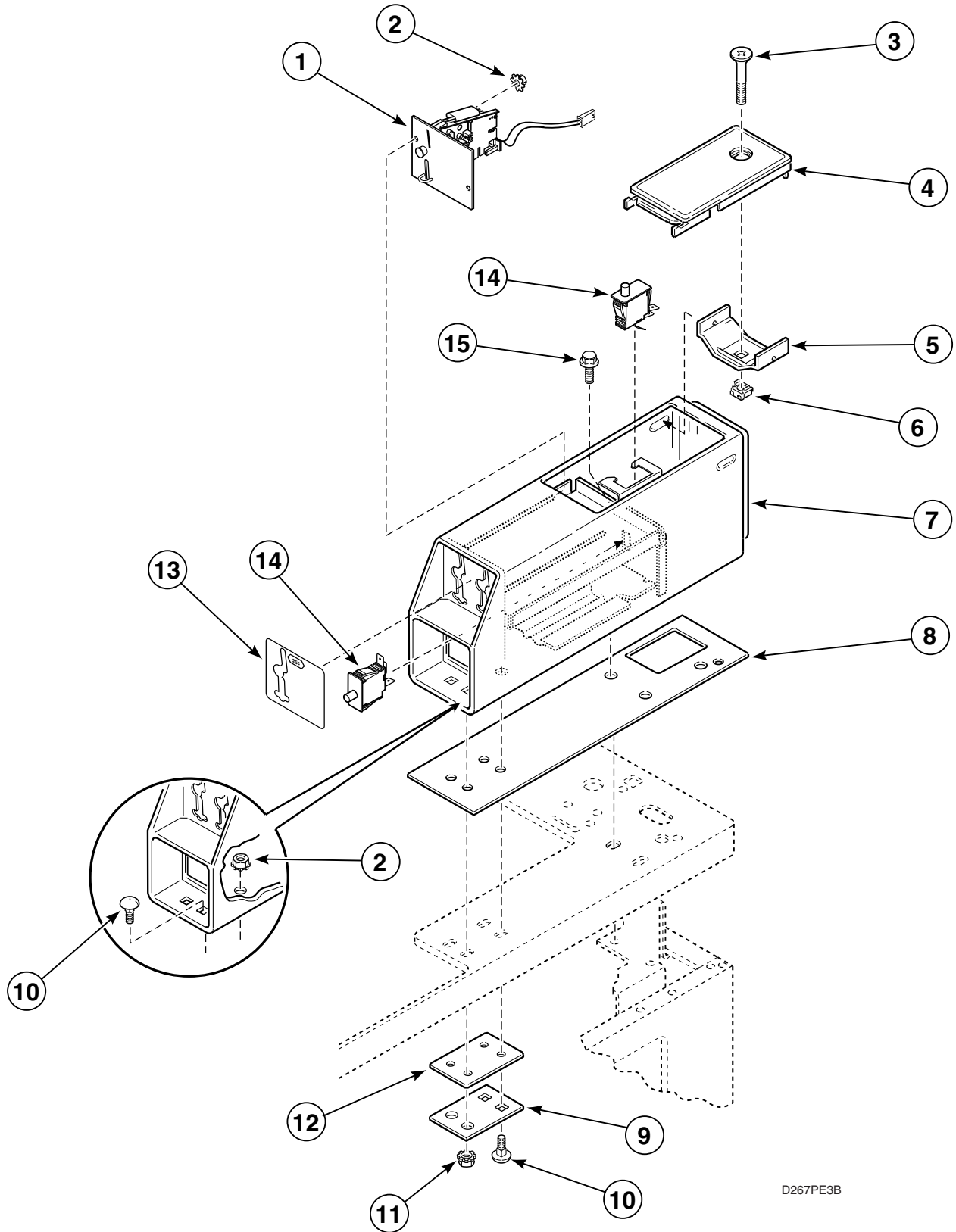
(Models EE2807\*, EE2807\*T, EE2807\*T1500, EE2907\*, EG2809\*, EG2809\*T and EG2909\*)

REF	PART #	DESCRIPTION	COMMENTS
1	39873P	Coin Drop Assembly	United States quarter; Munzprufer
2	501365	Locking Rod	Required for Airpax Drop only
3	503673	Screw	
4	35798*	Service Door	
5	62872	Door Switch	
6	30642	Locking Bracket	
7	30647	Retainer Nut	
8	38542*P	Meter Case	
9	26354	Meter Case Gasket	
10	02505	Carriage Bolt	
11	29786	Locknut	
12	35525	Bracket	
13	35526	Gasket	
14	38717	Front Overlay	Munzprufer
15	36048	Screw	

\* Add Letter To Designate Color. L – Almond W – White

# Meter Case (Coin Drop)

(Models EE2807\*M, EG2809\*M, EE2907\*M and EG2909\*M)



D267PE3B

\* Add Letter To Designate Color. L – Almond W – White



# Meter Case (Coin Drop)

(Models EE2807\*M, EG2809\*M, EE2907\*M and EG2909\*M)

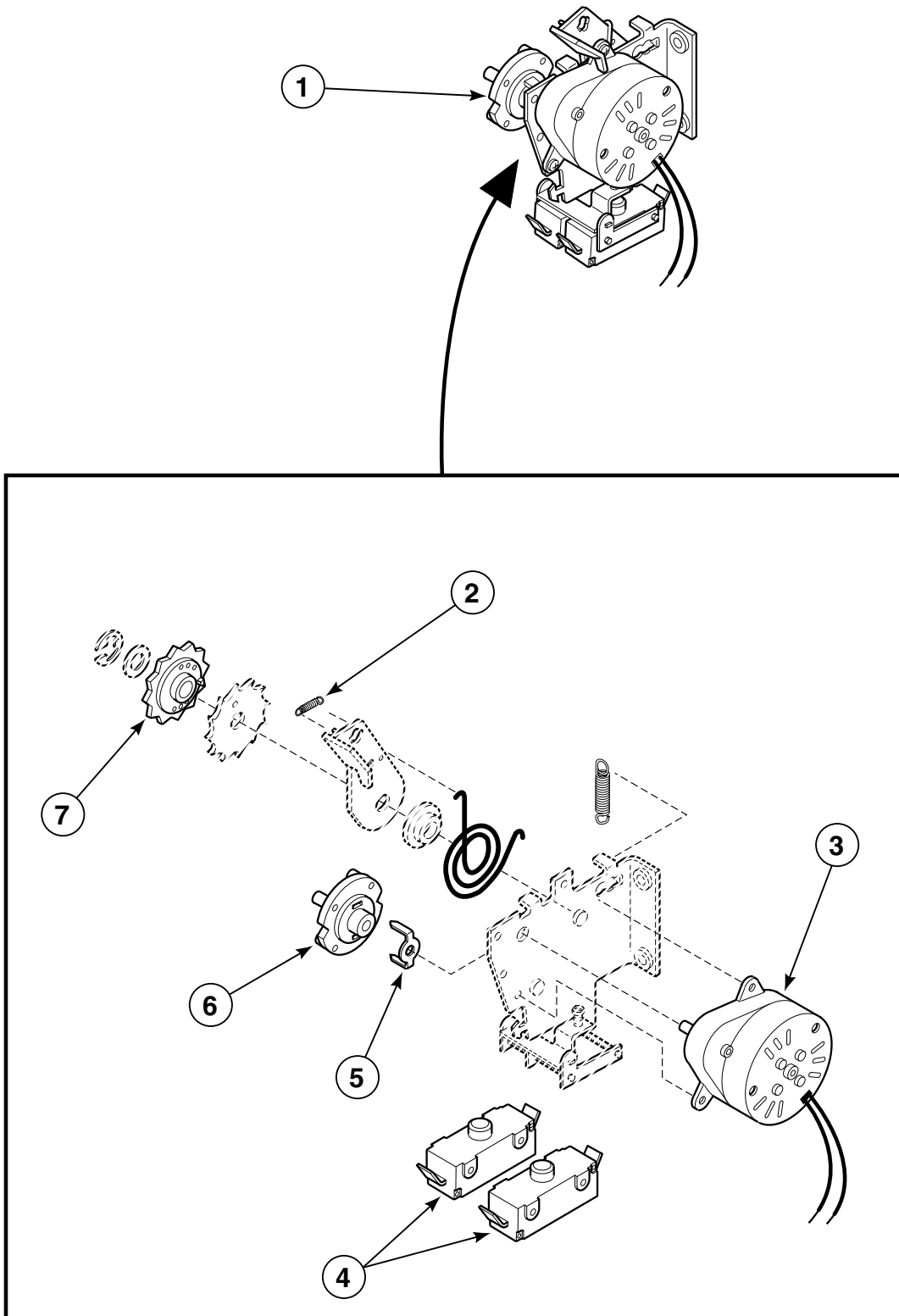
REF	PART #	DESCRIPTION	COMMENTS
1	**	Coin Drop Assembly	
2	29786	Locknut	Not factory installed on Models EE2907*M and EG2909*M
3	503673	Screw	
4	35798*	Service Door	
5	30642	Locking Bracket	
6	30647	Retainer Nut	
7	38724*	Meter Case	
8	26354	Meter Case Gasket	
9	35525	Bracket	
10	02505	Carriage Bolt	
11	29786	Locknut	
12	35526	Gasket	
13	38717	Front Overlay	
14	504570	Door Switch	
15	29277	Shoulder Screw	

\* Add Letter To Designate Color. L – Almond W – White

\*\* See Coin Drop table on Page 61.

# Two Switch Timer

(Models EE2107\*, EE2107\*T, EE2107\*T1500, EE2107\*A, EG2109\*, EG2109\*T, EG2109\*A, ZE2107\* AND ZG2109)



D125PE3G

\* Add Letter To Designate Color. L – Almond W – White

## Two Switch Timer

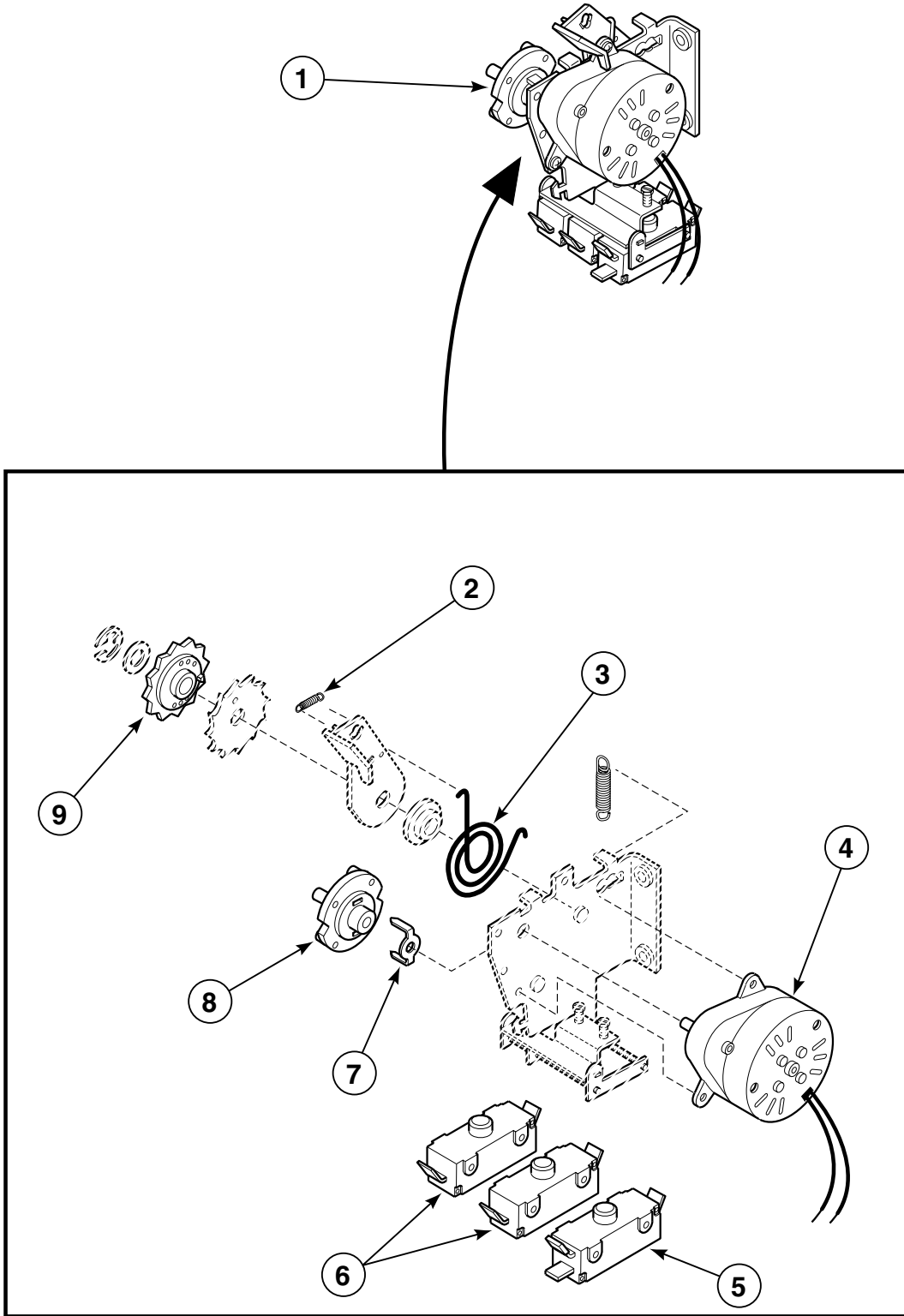
(Models EE2107\*, EE2107\*T, EE2107\*T1500, EE2107\*A, EG2109\*, EG2109\*T, EG2109\*A, ZE2107\* AND ZG2109)

REF	PART #	DESCRIPTION	COMMENTS
1	59228	Timer Assembly	Models EE2107*, EE2107*T, EE2107*T1500, EG2109*, EG2109*T, ZE2107* and ZG2109*
	501757	Timer Assembly	Models EE2107*A and EG2109*A
2	53244	Pawl Spring	
3	53235	Timing Motor	
4	53236	Switch	
5	M400754	Timing Cam Drive	
6	53240	Timing Cam	60 Minute (3 Pins)
	53241	Timing Cam	45 Minute (4 Pins)
	53242	Timing Cam	30 Minute (6 Pins)
	53243	Timing Cam	20 Minute (9 Pins)
7	53239	Ratchet Wheel	

\* Add Letter To Designate Color. L – Almond W – White

# Three Switch Timer

(Models EE2507\*, EE2507\*A, EE2507\*T, EE2507\*T1500, EE2607\*, EE2607\*T, EE2607\*T1500, EG2509\*, EG2509\*A, EG2509\*T, EG2609\*, EG2609\*A and EG2609\*T)



D126PE3C

\* Add Letter To Designate Color. L – Almond W – White

## Three Switch Timer

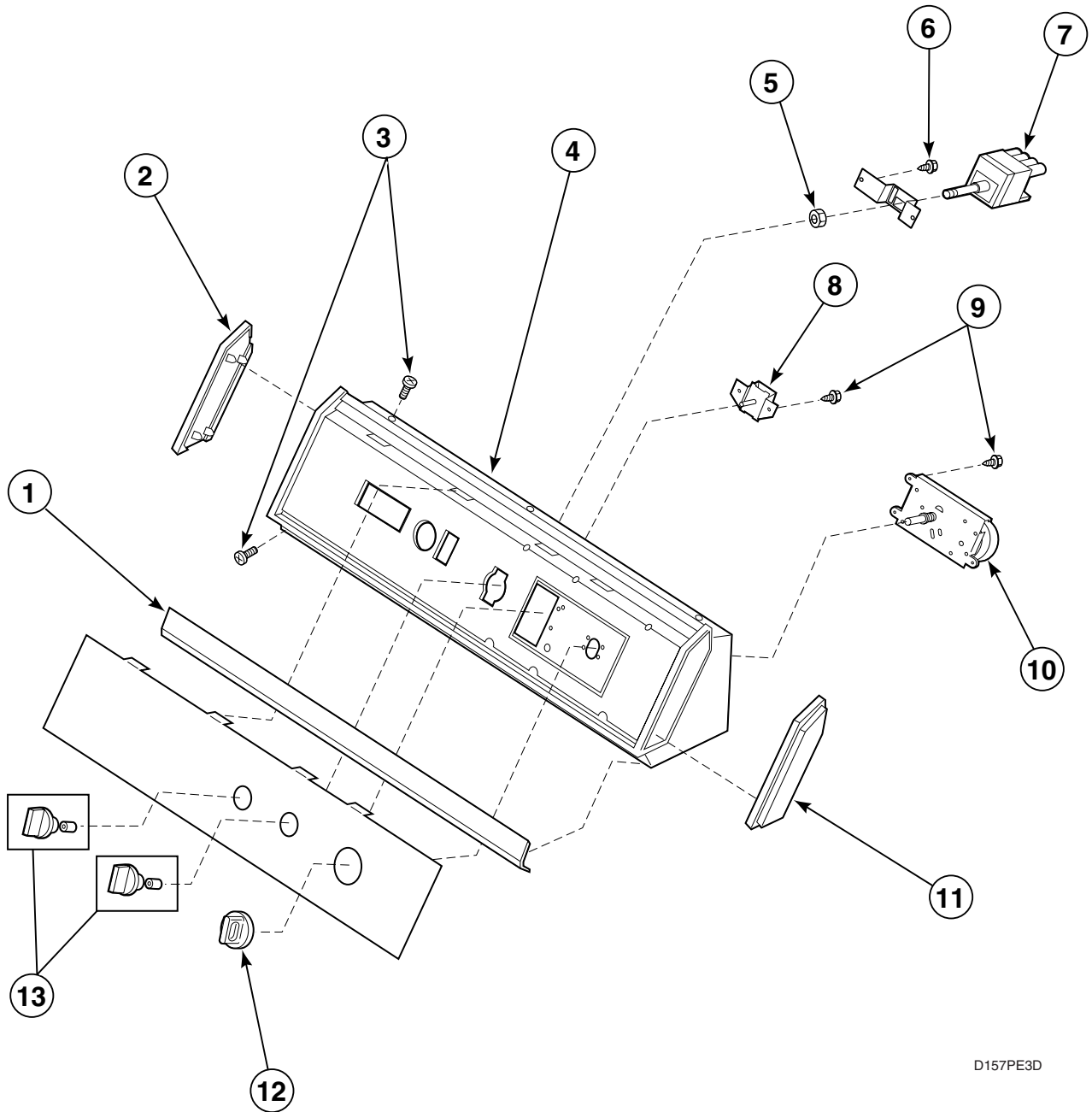
(Models EE2507\*, EE2507\*A, EE2507\*T, EE2507\*T1500, EE2607\*, EE2607\*T, EE2607\*T1500, EG2509\*, EG2509\*A, EG2509\*T, EG2609\*, EG2609\*A and EG2609\*T)

REF	PART #	DESCRIPTION	COMMENTS
1	501756	Timer Assembly	Models EE2507*A, EE2607*A, EG2509*A and EG2609*A
	61309	Timer Assembly	Models EE2507*, EE2507*T1500, EE2607*, EE2607*T, EE2607*T1500, EG2509*, EG2509*T, EG2609* and EG2609*T
2	53244	Pawl Spring	
3	53261	Return Spring	Used only on 61309 Timer Assembly
4	53235P	Timing Motor	
5	61468	Switch	
6	53236	Switch	
7	M400754	Timing Cam Drive	
8	53240	Timing Cam	60 Minute (3 Pins)
	53241	Timing Cam	45 Minute (4 Pins)
	53242	Timing Cam	30 Minute (6 Pins)
	53243	Timing Cam	20 Minute (9 Pins)
9	53239	Ratchet Wheel	

\* Add Letter To Designate Color. L – Almond W – White

# Graphic Panel, Control Hood and Controls

(Models AEM497\*, AEM497\*299F6, AGM499\* and AGM499\*2)



D157PE3D

\* Add Letter To Designate Color. L – Almond W – White

# Graphic Panel, Control Hood and Controls

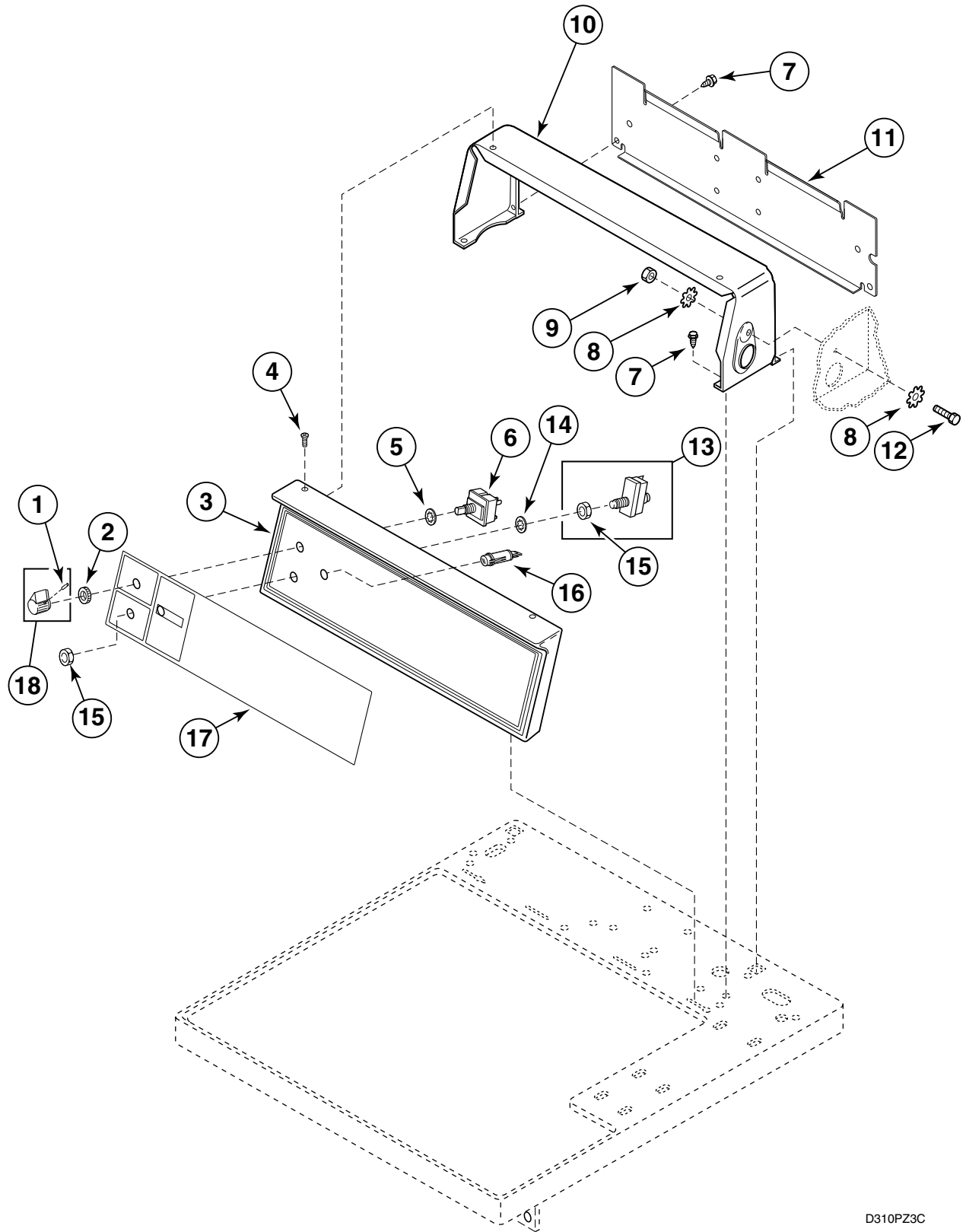
(Models AEM497\*, AEM497\*299F6, AGM499\* and AGM499\*2)

REF	PART #	DESCRIPTION	COMMENTS
1	61849R	Trim Strip	
2	31249	End Cap	Left
3	31752	Screw	
4	59937	Control Hood Assembly	
5	57584	Nut	
6	31260	Screw	
7	61511	Temperature Switch	
8	500823	Signal Control	
9	501086	Screw	
10	502963	Timer	
11	31248	End Cap	Right
12	62176	Timer Knob Assembly	
13	33610	Control Knob Assembly	

\* Add Letter to Designate Color. L – Almond W – White

# Control Panel, Control Hood and Controls

(Models DDE007\*, DDG009\*, EE2007\*, EE2007\*T, EE2007\*T1500, EE2107\*, EE2107\*T, EE2107\*T1500, EE2107\*A, EE2507\*, EE2507\*T, EE2507\*T1500, EE2507\*A, EG2009\*, EG2009\*T, EG2009\*T1188, EG2009\*-1188, EG2109\*, EG2109\*T, EG2109\*A, EG2509\*, EG2509\*T, EG2509\*A, ZE2007\*, ZE2107\*, ZG2009\* and ZG2109\*)



D310PZ3C

\* Add Letter To Designate Color. L – Almond W – White



## Control Panel, Control Hood and Controls

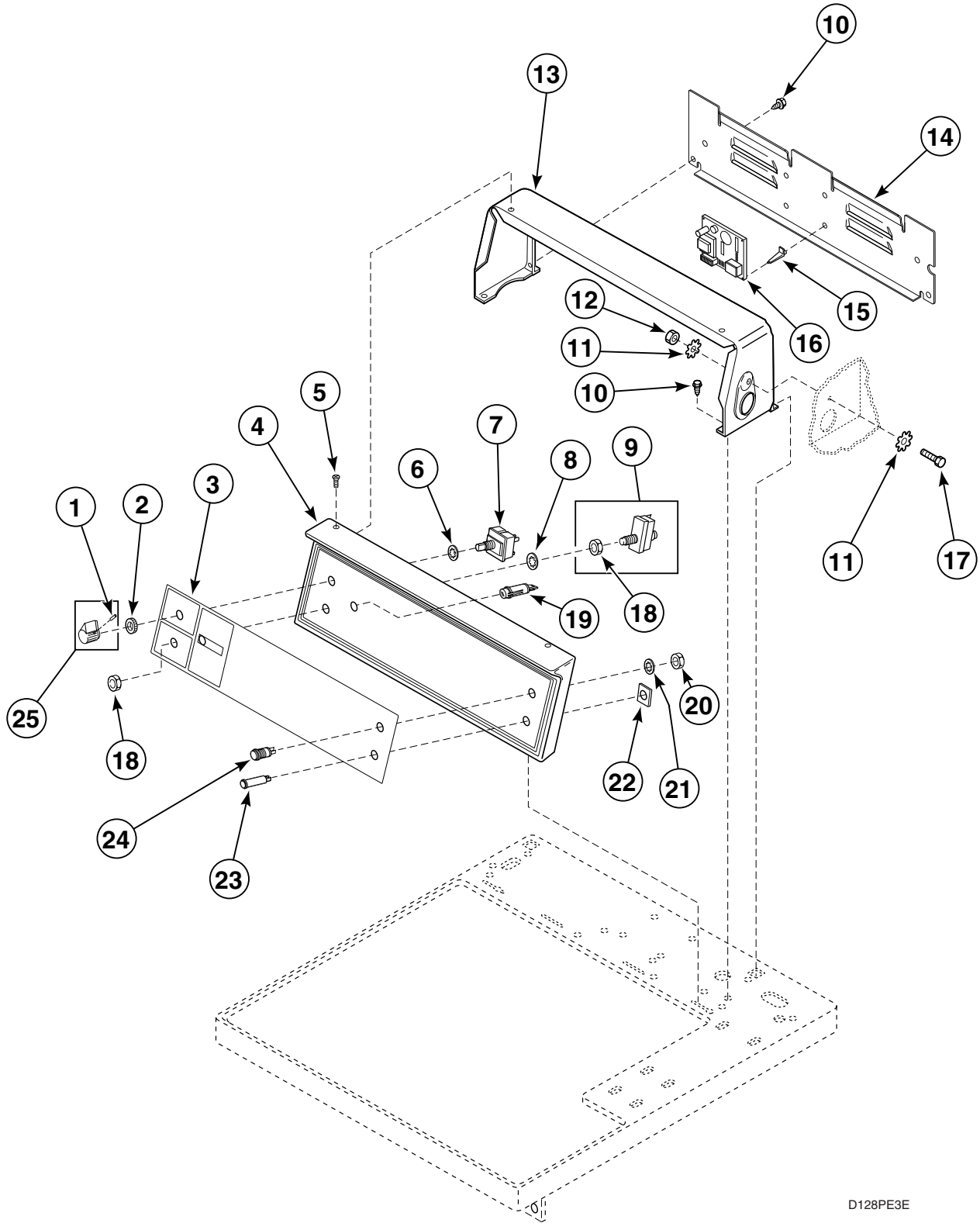
(Models DDE007\*, DDG009\*, EE2007\*, EE2007\*T, EE2007\*T1500, EE2107\*, EE2107\*T, EE2107\*T1500, EE2107\*A, EE2507\*, EE2507\*T, EE2507\*T1500, EE2507\*A, EG2009\*, EG2009\*T, EG2009\*T1188, EG2009\*-1188, EG2109\*, EG2109\*T, EG2109\*A, EG2509\*, EG2509\*T, EG2509\*A, ZE2007\*, ZE2107\*, ZG2009\* and ZG2109\*)

REF	PART #	DESCRIPTION	COMMENTS
	281P4	Torx Bit	Use with 35528 screw
	24161	Torx Bit Holder	Use with 35528 screw
<b>1</b>	20310	Set Screw	
<b>2</b>	24205	Knurled Nut	
<b>3</b>	62645*	Control Panel Assembly	
<b>4</b>	52864	Phillips Head Screw	
	35528	Torx Head Screw	Optional for added security
<b>5</b>	91176	Lockwasher	
<b>6</b>	61512	Temperature Selector Switch	
<b>7</b>	501086	Screw	
<b>8</b>	02431	Lockwasher	
<b>9</b>	52566	Nut	
<b>10</b>	502567*	Control Hood	
<b>11</b>	505798	Back Panel	
<b>12</b>	02916	Cap Screw	
<b>13</b>	55882	Push-to-Start Switch Assembly	
<b>14</b>	25820	Lockwasher	
<b>15</b>	52947	Nut	
<b>16</b>	32464	Indicator Light	
<b>17</b>	504594	Graphic Overlay	Models EE2007*, EE2007*T, EE2007*T1500, EE2107*, EE2107*T, EE2107*T1500, EE2107*A, EE2507*, EE2507*T, EE2507*T1500, EE2507*A, EG2009*, EG2009*T, EG2009*T1188, EG2009*-1188, EG2109*, EG2109*T, EG2109*A, EG2509*, EG2509*T and EG2509*A
	62837	Graphic Overlay	Models ZE2007*, ZE2107*, ZG2009* and ZG2109*
	502920	Graphic Overlay	Models DDE007* and DDG009*
<b>18</b>	35182	Control Knob Assembly	

\* Add Letter To Designate Color. L – Almond W – White

# Control Panel, Control Hood and Controls

(Models EE2607\*, EE2607\*T EE2607\*T1500, EE2607\*A, EG2609\*, EG2609\*T and EG2609\*A)



D128PE3E

\* Add Letter To Designate Color. L – Almond W – White

# Control Panel, Control Hood and Controls

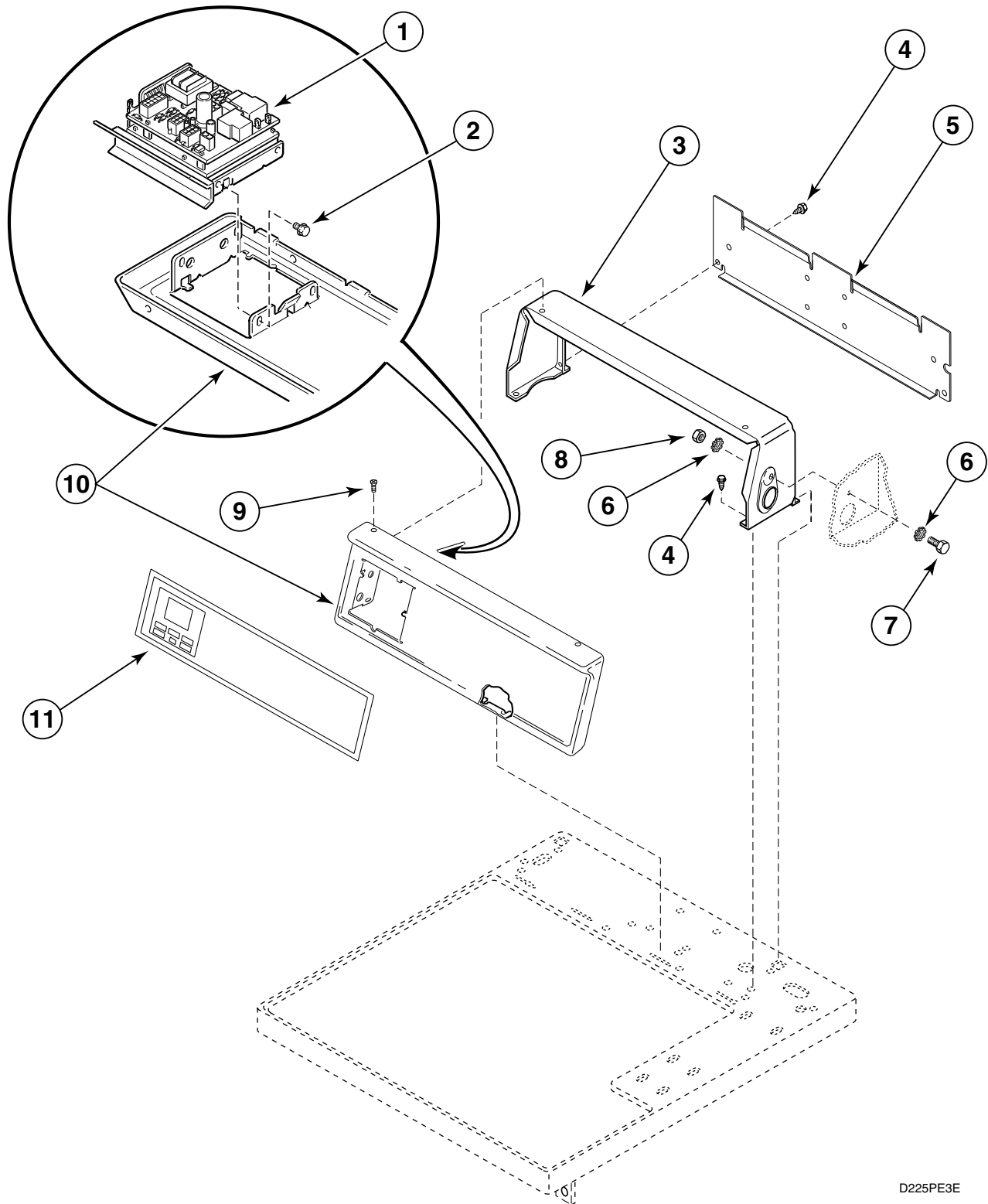
(Models EE2607\*, EE2607\*T EE2607\*T1500, EE2607\*A, EG2609\*, EG2609\*T and EG2609\*A)

REF	PART #	DESCRIPTION	COMMENTS
	281P4	Torx Bit	Use with 35528 screw
	24161	Torx Bit Holder	Use with 35528 screw
1	20310	Set Screw	
2	24205	Knurled Nut	
3	62646	Graphic Overlay	
4	62645*	Control Panel Assembly	
5	52864	Phillips Head Screw	
	35528	Torx Head Screw	Optional for added security
6	91176	Lockwasher	
7	61512	Temperature Selector Switch	
8	25820	Lockwasher	
9	55882	Push-to-Start Switch Assembly	
10	501086	Screw	
11	02431	Lockwasher	
12	52566	Nut	
13	502567*	Control Hood	
14	505798	Back Plate	
15	34896	Support	
16	34522P	Audit Control	
17	02916	Screw	
18	52947	Nut	Included with 55882 Switch
19	32464	Indicator Light	
20	35322	Nut	
21	35321	Washer	
22	34762	Push-on Clip	
23	34701	Transmit Light	
24	34721	Transmit Switch	
25	35182	Control Knob Assembly	

\* Add Letter To Designate Color. L – Almond W – White

# Control Panel, Control Hood and Electronic Control

(Models EE2807\*, EE2807\*M, EE2807\*T, EE2807\*T1500, EE2907\*, EE2907\*M, EEJ907\*T, EG2809\*, EG2809\*T, EG2909\* and EGJ909\*T)



D225PE3E

\* Add Letter To Designate Color. L – Almond W – White

# Control Panel, Control Hood and Electronic Control

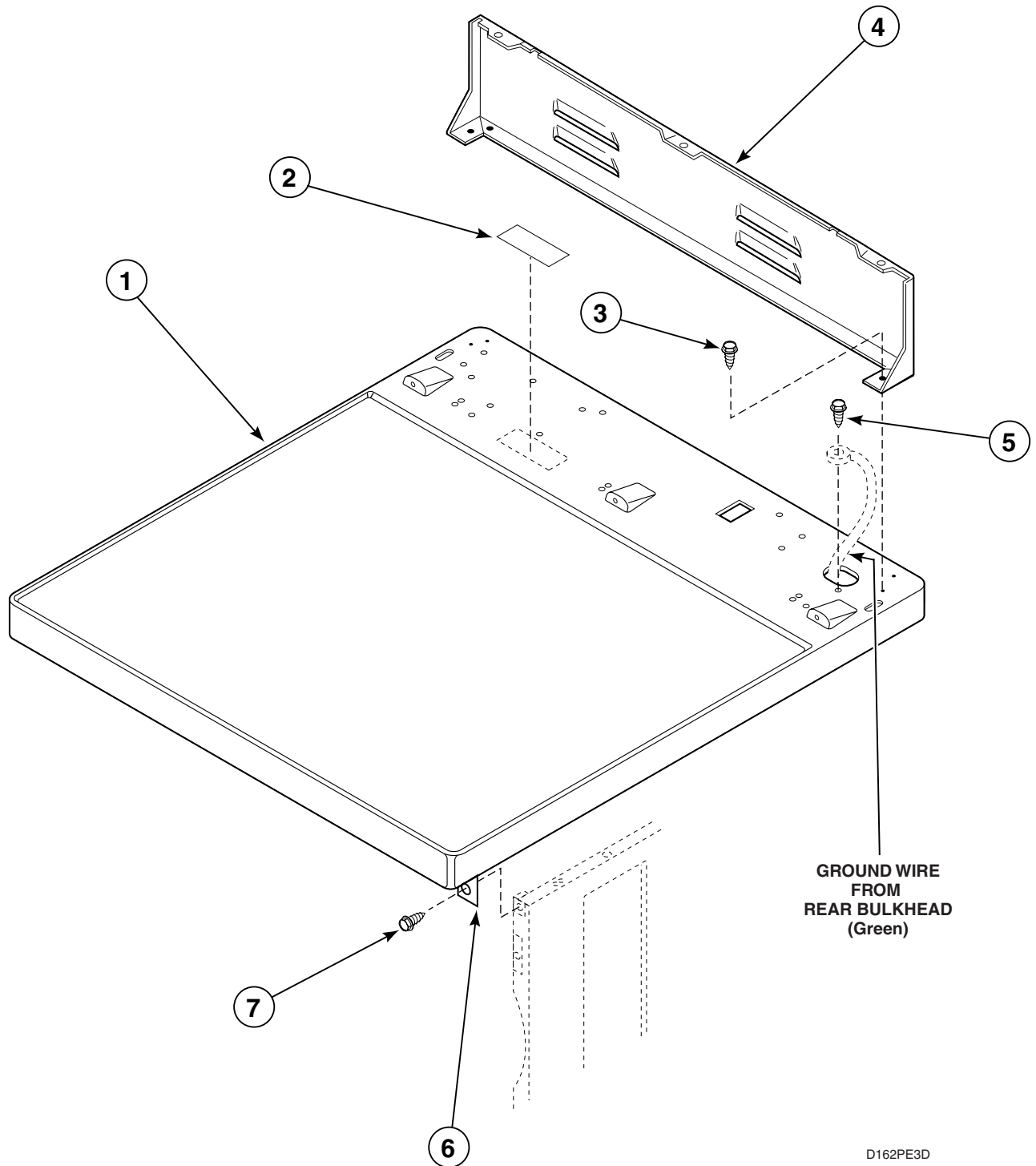
(Models EE2807\*, EE2807\*M, EE2807\*T, EE2807\*T1500, EE2907\*, EE2907\*M, EEJ907\*T, EG2809\*, EG2809\*T, EG2909\* and EGJ909\*T)

REF	PART #	DESCRIPTION	COMMENTS
1	M414050P	Control Kit	
2	501524	Screw	
3	502567*	Control Hood	
4	501086	Screw	
5	505798	Back Panel	
6	02431	Lockwasher	
7	02916	Screw	
8	52566	Nut	
9	52864	Screw	
10	501359*	Control Panel	
11	504113	Graphic Overlay	

\* Add Letter To Designate Color. L – Almond W – White

# Cabinet Top and Control Hood Rear Panel

(Models AEM497\*, AEM497\*299F6, AGM499\* and AGM499\*2)



\* Add Letter To Designate Color. L – Almond W – White

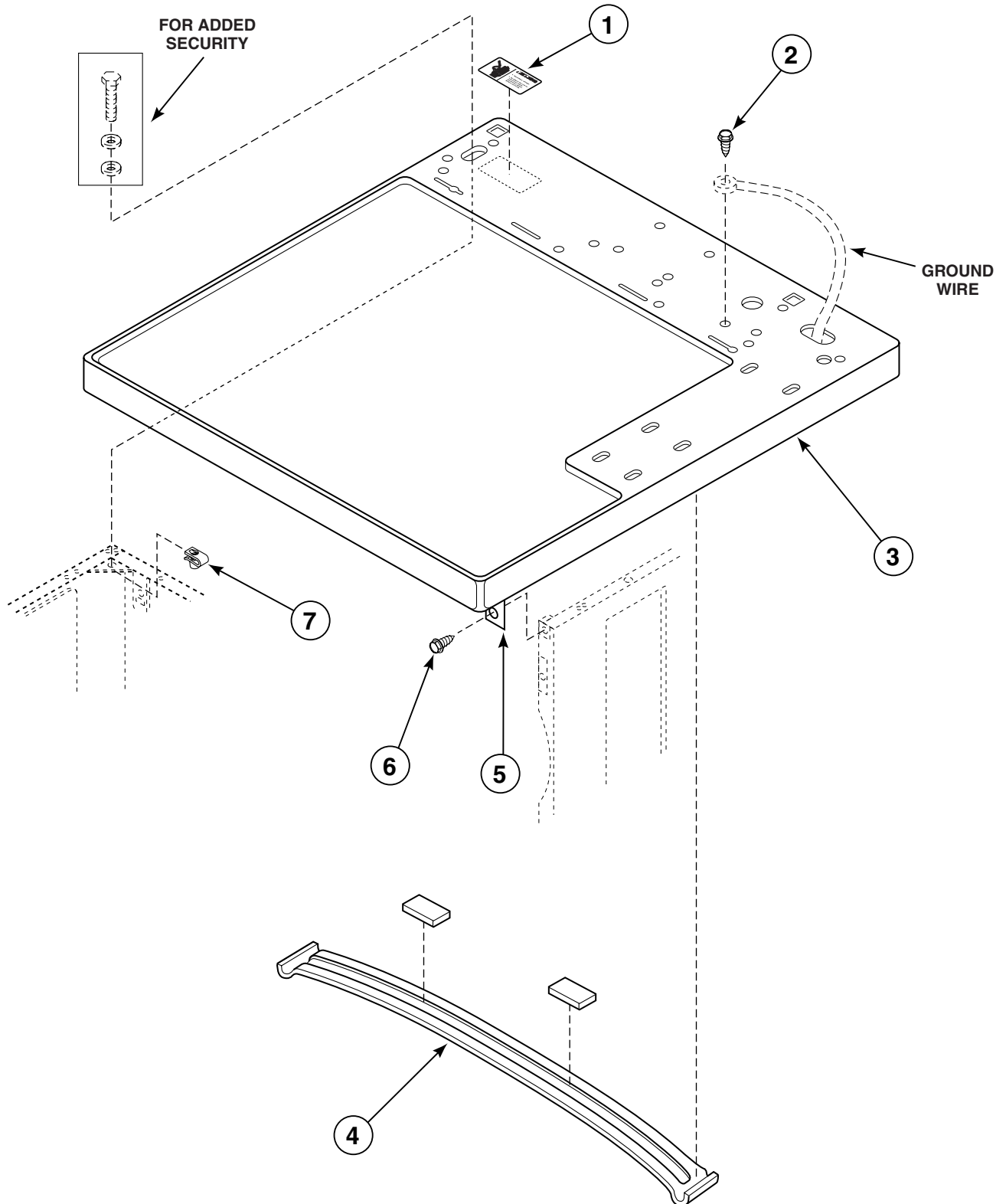
# Cabinet Top and Control Hood Rear Panel

(Models AEM497\*, AEM497\*299F6, AGM499\* and AGM499\*2)

REF	PART #	DESCRIPTION	COMMENTS
1	510029WP	Cabinet Top	Includes two 500084 Hold-down Brackets
2	24903	Label	
3	501086	Screw	
4	500343	Back Panel	
5	20530	Screw	
6	510146	Hold-down Bracket	
7	33562	Screw	

# Cabinet Top

(All other models)



D129PE3D

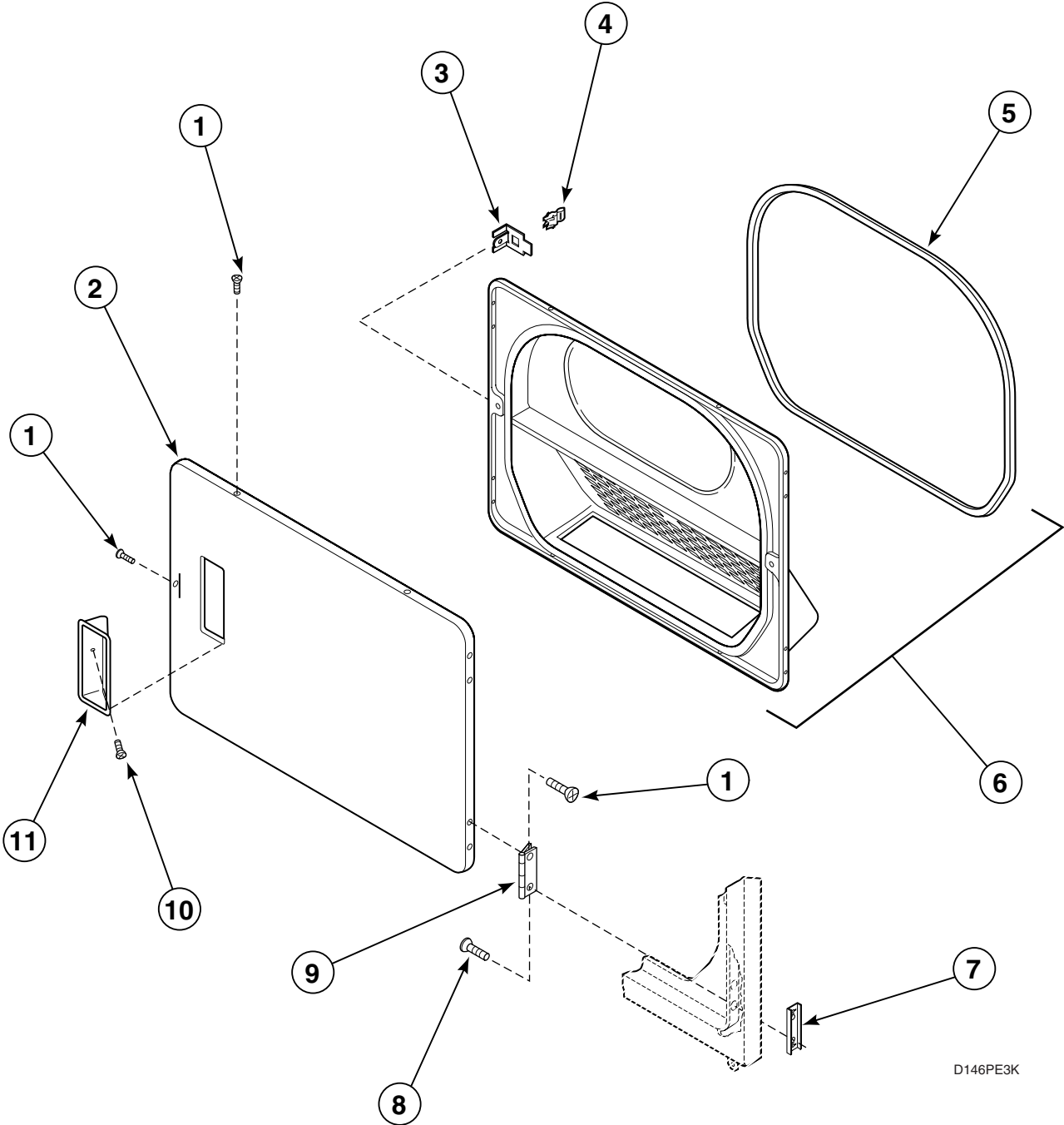


# Cabinet Top

(All other models)

REF	PART #	DESCRIPTION	COMMENTS
	282P4	Torx Bit	Use with 62853 Screw
	24161	Torx Bit Holder	Use with 62853 Screw
	35917	Washer	Metal; optional for added security
	503673	Screw	Optional for added security
	35774	Washer	Vinyl; optional for added security
1	24903	Label	
2	20530	Screw	
3	510030WP	Cabinet Top	Metered Models
	510031WP	Cabinet Top	Nonmetered Models
4	56486	Top Brace	Use with painted cabinet tops only
5	510146	Hold-Down Bracket	
6	33562	Slotted Hex Head Screw	
	62853	Torx Head Screw	Optional for added security
7	27222	Retainer Nut	Metered Models; optional for added security

# Loading Door



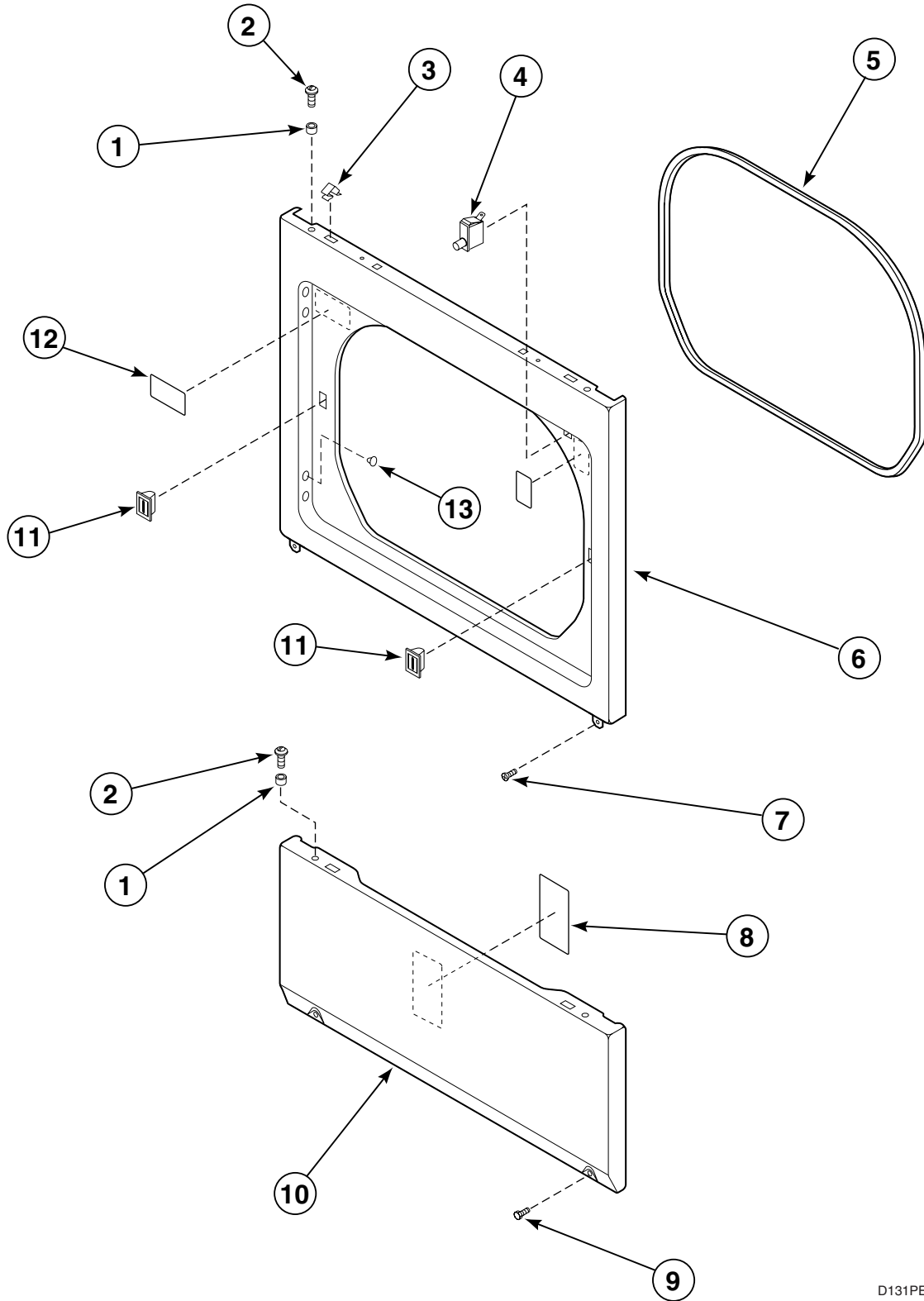
D146PE3K

# Loading Door

REF	PART #	DESCRIPTION	COMMENTS
1	52864	Screw	
2	500040*	Outer Door Panel	
3	510127	Door Strike Mount	
4	510181	Door Strike	
5	500200	Door Seal	
6	500199	Liner and Seal Assembly	
7	500236	Door Hinge Mounting Clip	
8	502174	Screw	
9	510519	Door Hinge	
10	500297	Screw	
11	500042*	Door Pull	

\* Add Letter To Designate Color. L – Almond W – White

# Access Panel, Front Panel and Seal



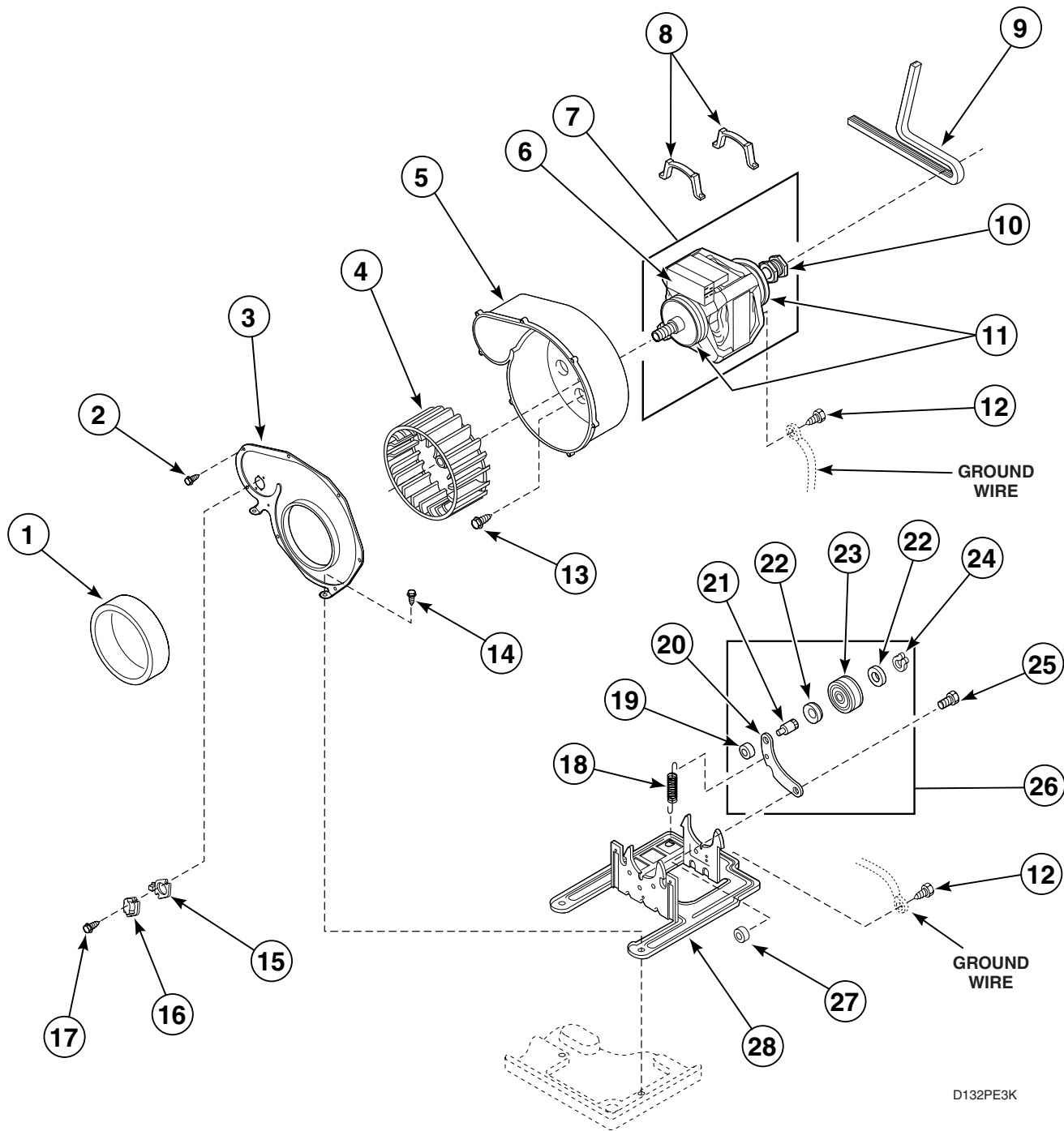
D131PE3G

## Access Panel, Front Panel and Seal

REF	PART #	DESCRIPTION	COMMENTS
	282P4	Torx Bit	Use with 62853 screw
	24161	Torx Bit Holder	Use with 62853 screw
<b>1</b>	56079	Locator	
<b>2</b>	32671	Screw	
<b>3</b>	28835	Speed Clip	
<b>4</b>	62872	Door Switch	
<b>5</b>	500034	Front Panel Seal	
<b>6</b>	500033*	Front Panel	
<b>7</b>	33562	Screw	
<b>8</b>	511004	Label	Gas Models
<b>9</b>	33562	Slotted Hex Head Screw	
	62853	Torx Head Screw	Optional for added security
<b>10</b>	510069*	Access Panel	
<b>11</b>	510177	Door Catch	
<b>12</b>	500281	Label	
<b>13</b>	500227	Screw	

\* Add Letter To Designate Color. L – Almond W – White

# Motor, Exhaust Fan and Belt



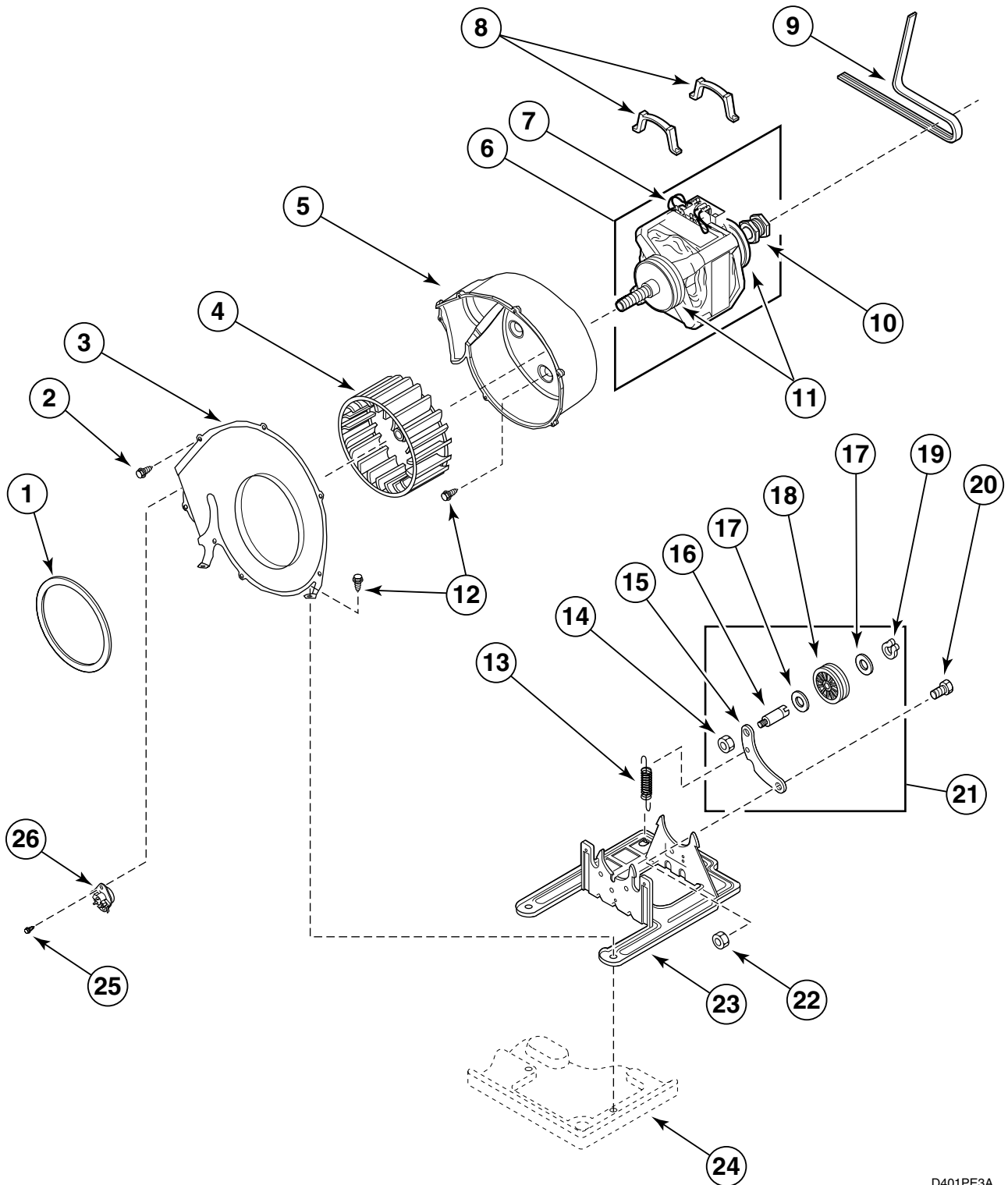
D132PE3K

## Motor, Exhaust Fan and Belt

REF	PART #	DESCRIPTION	COMMENTS
	22506P	Adhesive	Use for 500313 Seal
1	500313	Seal	
2	31260	Screw	
3	500078	Exhaust Fan Cover	
4	510139	Exhaust Fan Impeller	
5	510138P	Exhaust Fan Housing	Includes Fan Cover
6	501218P	Motor Switch	Does not include thermal protector
7	510508P	Motor Assembly	Includes 500011 Motor Pulley and 501218 Motor Switch
8	510180	Motor Mounting Clamp	
9	510178	Belt	
10	500011	Motor Pulley	
11	590P3	Motor Hub Ring Kit	
12	20530	Screw	
13	503661	Screw	
14	33562	Screw	
15	61401	Thermostat Heater	Black; Models AEM497* and AEM497*299F6
	61623	Thermostat Heater	Brown; All other models except Electronic Control models
16	61372	Thermostat	Model AEM497*, AGM499* and AGM499*2
	510522	Thermistor	Models EE2807*, EE2807*M, EE2807*T, EE2807*T1500, EG2809*, EG2809*T, EE2907*, EE2907*M, EE5907*T, EEJ907*T, EG2909* and EGJ909*T
	503552	Thermostat	All other models; replaces 61625 Thermostat and 61623 or 61401 heater
17	33561	Screw	
18	510185	Spring	
19	56156	Locknut	
20	510133	Idler Lever	
21	56461	Shaft	
22	52549	Washer	
23	510142	Idler Pulley	
24	23748	Retainer Ring	
25	500824	Shoulder Screw	
26	510158	Idler Pulley and Lever Assembly	
27	52566	Locknut	
28	510060	Motor Mounting Bracket	

\* Add Letter To Designate Color. L – Almond W – White

# Motor, Exhaust Fan and Belt (Optional)



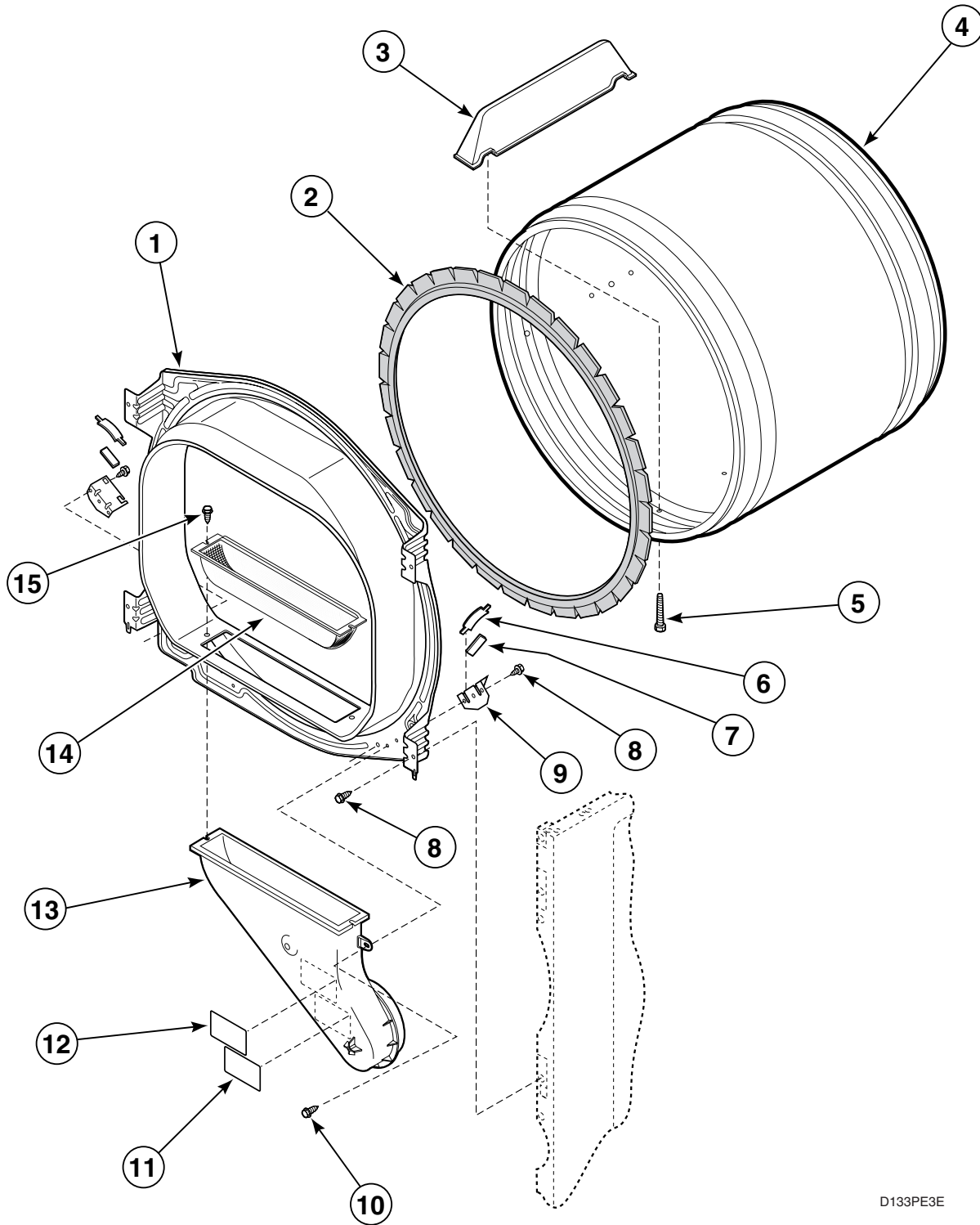
D401PE3A



## Motor, Exhaust Fan and Belt (Optional)

REF	PART #	DESCRIPTION	COMMENTS
1	510238	Seal	
2	31260	Screw	
3	510140	Exhaust Fan Cover	
4	510139	Exhaust Fan Impeller	
5	510138	Exhaust Fan Housing	
6	510508P	Motor Assembly	Includes items 7 and 10
7	501218P	Motor Switch	Does not include thermal protector
8	510180	Motor Mounting Clamp	
9	510178	Belt	
10	500011	Motor Pulley	
11	590P3	Motor Hub Ring Kit	
12	503688	Screw	
13	510185	Spring	
14	56156	Locknut	
15	510133	Idler Lever	
16	56461	Shaft	
17	52549	Washer	
18	510142	Idler Pulley	
19	23748	Retainer Ring	
20	500824	Shoulder Bolt	
21	510158	Idler Pulley and Lever Assembly	
22	52566	Locknut	
23	510060	Motor Mounting Bracket	
24	510084	Base	
25	33561	Screw	
26	504515	Thermostat	Electromechanical Models; color coded Green
	504516	Thermostat	Electromechanical Models; color coded Tan/White
	504517	Thermostat	Electromechanical Models; color coded Red
	504518	Thermostat	Electromechanical Models; color coded White
	504519	Thermostat	Electromechanical Models; color coded Violet/White
	504520	Thermostat	Models with suffix 4562; color coded Pink
	504521	Thermostat	Models with suffix 4562; color coded Yellow/White
	510522	Thermistor	Electronic Control Models

# Front Bulkhead, Air Duct, Felt Seal and Cylinder

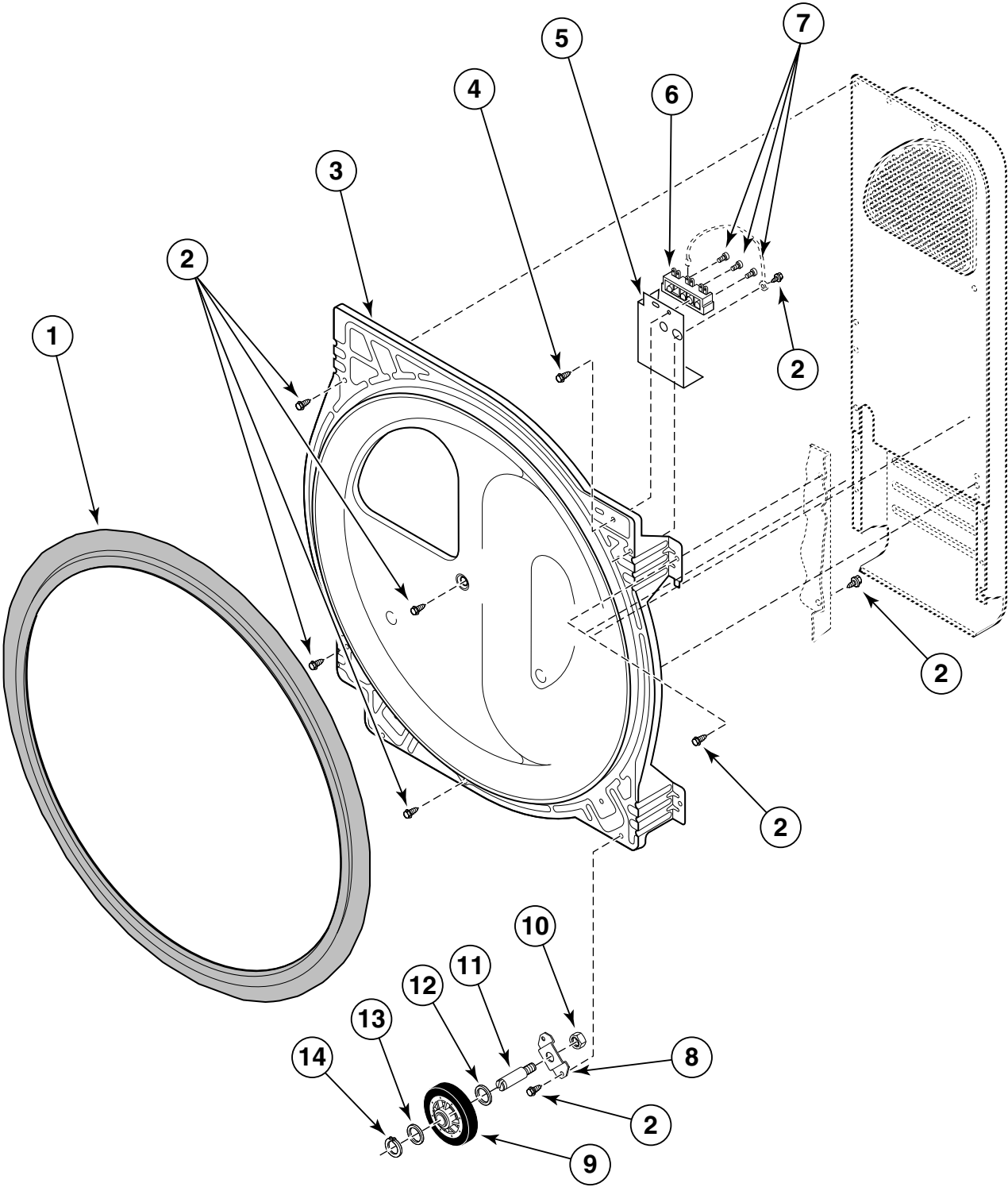


D133PE3E

## Front Bulkhead, Air Duct, Felt Seal and Cylinder

REF	PART #	DESCRIPTION	COMMENTS
	22506P	Adhesive for Cylinder Seal	
1	500091P	Front Bulkhead Assembly	Unpainted - Includes cylinder seal, glide brackets, screws, cylinder glides and felt pads
	500117W	Front Bulkhead Assembly	Painted - Includes cylinder seal, glide brackets, screws, cylinder glides and felt pads
2	510207P	Cylinder Seal	
3	510102	Baffle	
4	500095P	Cylinder Assembly	Includes baffles
5	62588	Screw	
6	510187	Cylinder Glide	Two required per side
7	500121	Felt Pad	
8	503688	Screw	
9	510145	Glide Bracket	
10	503661	Screw	
11	56259	Label	
12	500049	Label	
13	502231	Upper Air Duct Assembly	
14	502140P	Lint Filter	
15	52864	Screw	

# Rear Bulkhead, Felt Seal, Cylinder Roller and Terminal Block



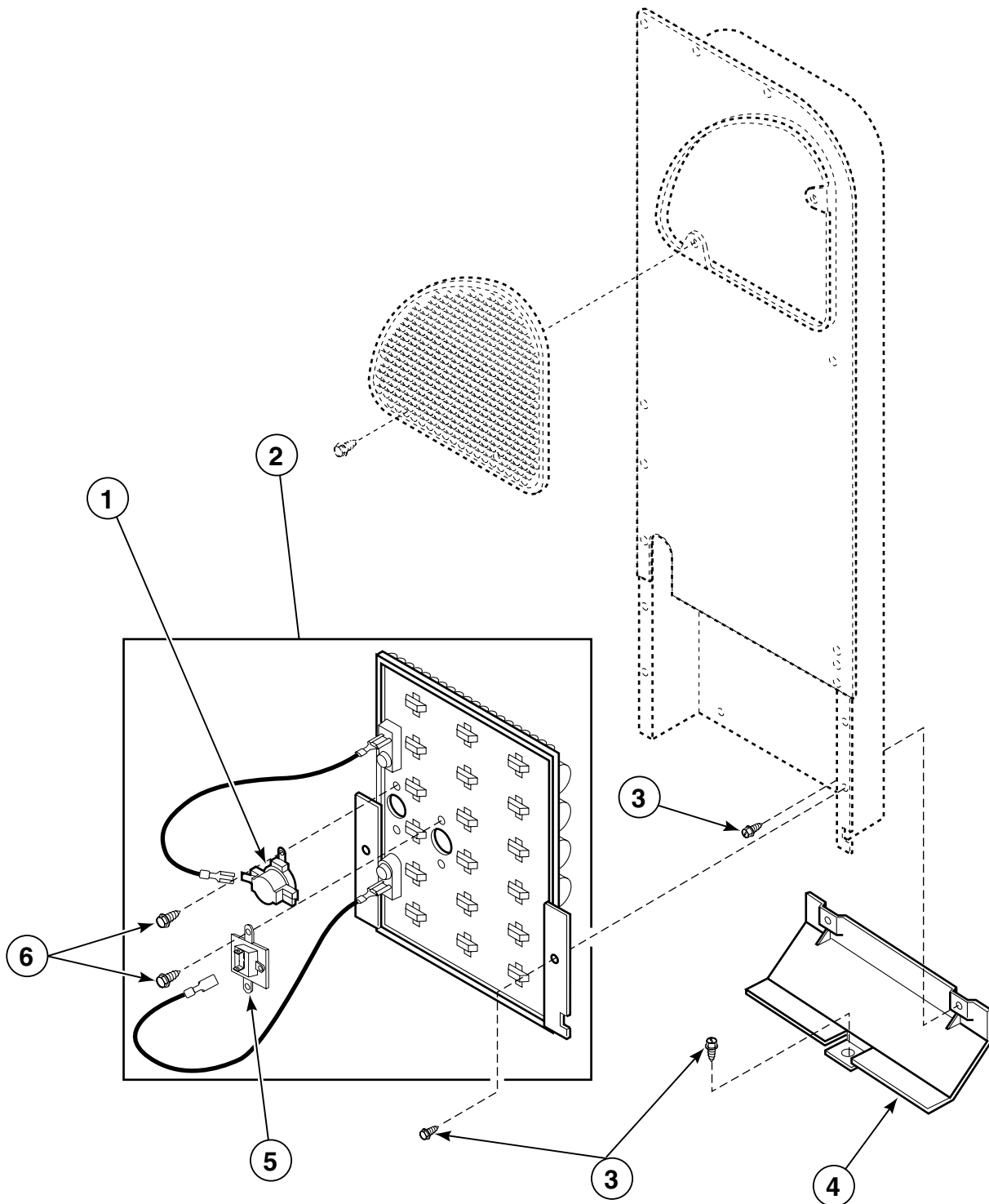
D291PZ3E

## Rear Bulkhead, Felt Seal, Cylinder Roller and Terminal Block

REF	PART #	DESCRIPTION	COMMENTS
	22506P	Adhesive for Cylinder Seal	
<b>1</b>	510207P	Cylinder Seal	
<b>2</b>	503688	Screw	
<b>3</b>	510905W	Rear Bulkhead	Model AEM497* and AGM499*
	505244	Rear Bulkhead	All other models
<b>4</b>	501285	Screw	
<b>5</b>	510237	Shield	Electric Models only
<b>6</b>	510190P	Terminal Block	Includes 61199 Screws – Electric Models
<b>7</b>	61199	Screw	
<b>8</b>	510100	Roller Bracket	
<b>9</b>	510708P	Cylinder Roller	
<b>10</b>	56156	Locknut	
<b>11</b>	56461	Shaft	
<b>12</b>	504082	Washer	
<b>13</b>	52549	Washer	
<b>14</b>	23748	Retainer Ring	

# Heater Duct and Element Assembly

(Electric Model Dryers)



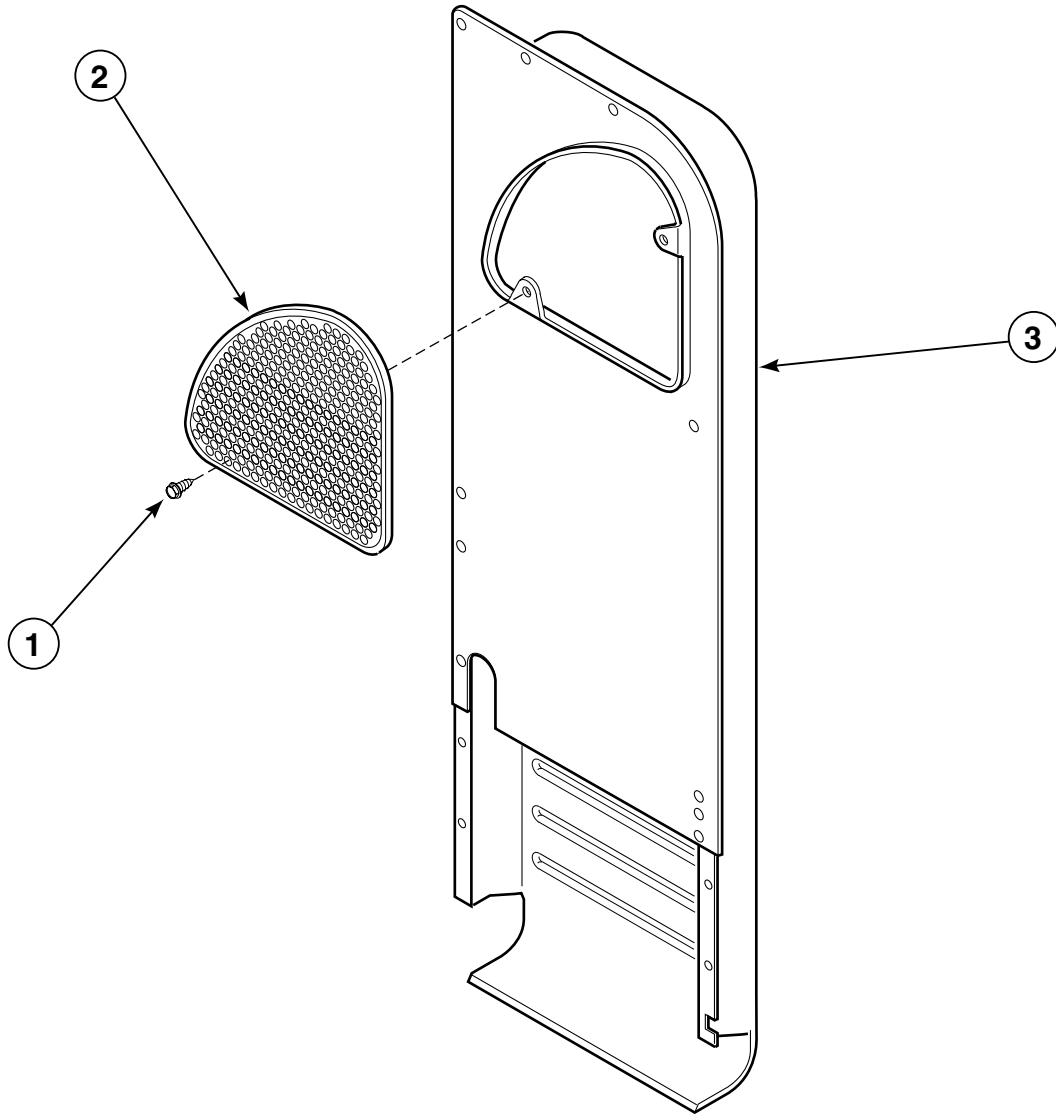
D135PE3K

# Heater Duct and Element Assembly

(Electric Model Dryers)

REF	PART #	DESCRIPTION	COMMENTS
1	510701	Limit Thermostat	
2	61927	Heater Assembly	All models except those with 1500 suffix.
	61928	Heater Assembly	Models with 1500 suffix.
3	503688	Screw	
4	60952	Heat Shield	
5	510183	Thermal Fuse Kit	Includes 62641 Limit Thermostat
6	23222	Screw	

# Heater Duct Assembly Replacement



D294PE3A

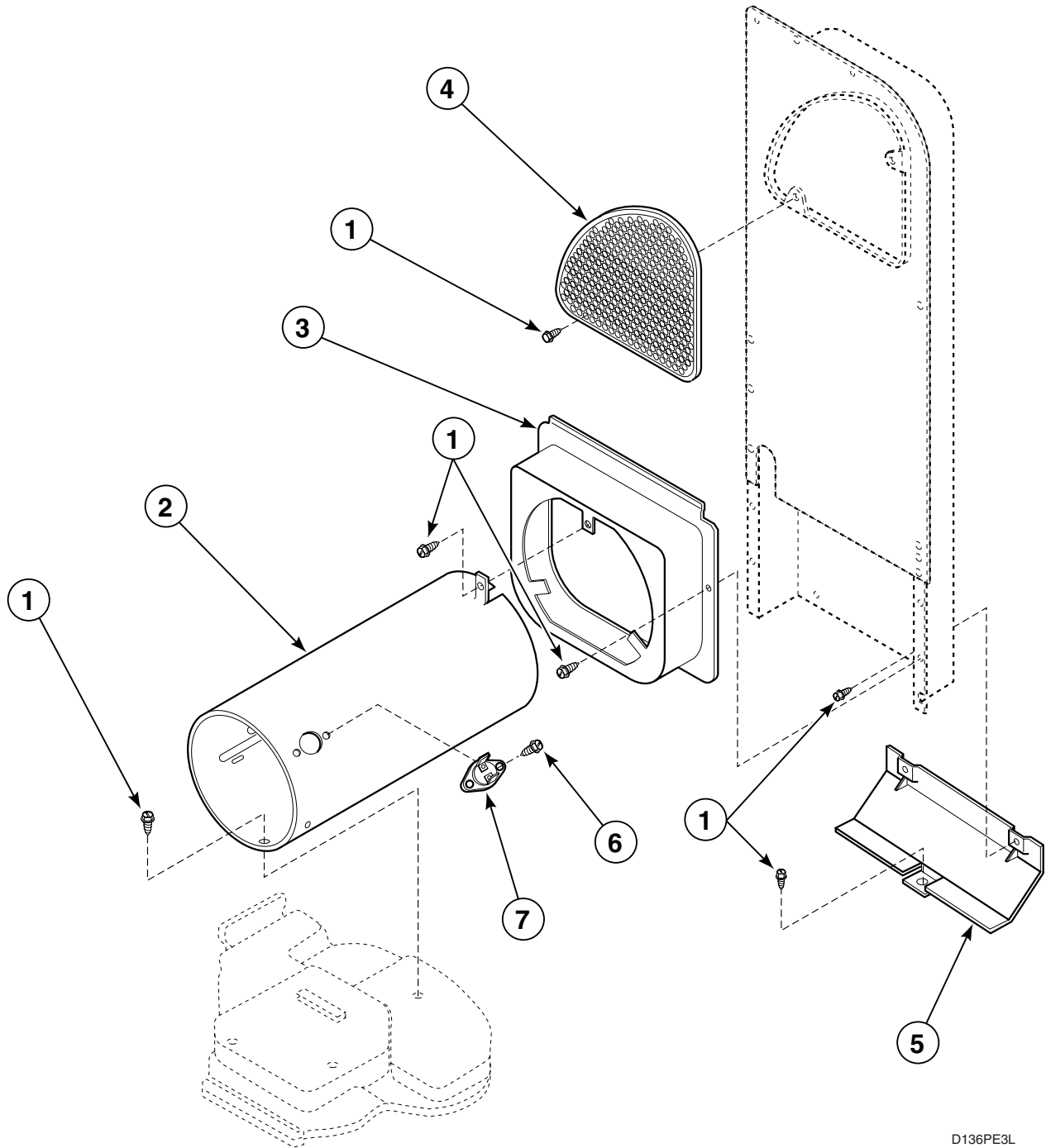


# Heater Duct Assembly Replacement

REF	PART #	DESCRIPTION	COMMENTS
1	503688	Screw	
2	500820	Outlet Cover	Replaceable on the 50179P Heater Duct Assembly only
3	503607P	Heater Duct Assembly	

# Heater Duct Assembly

(Gas Model Dryers)



D136PE3L

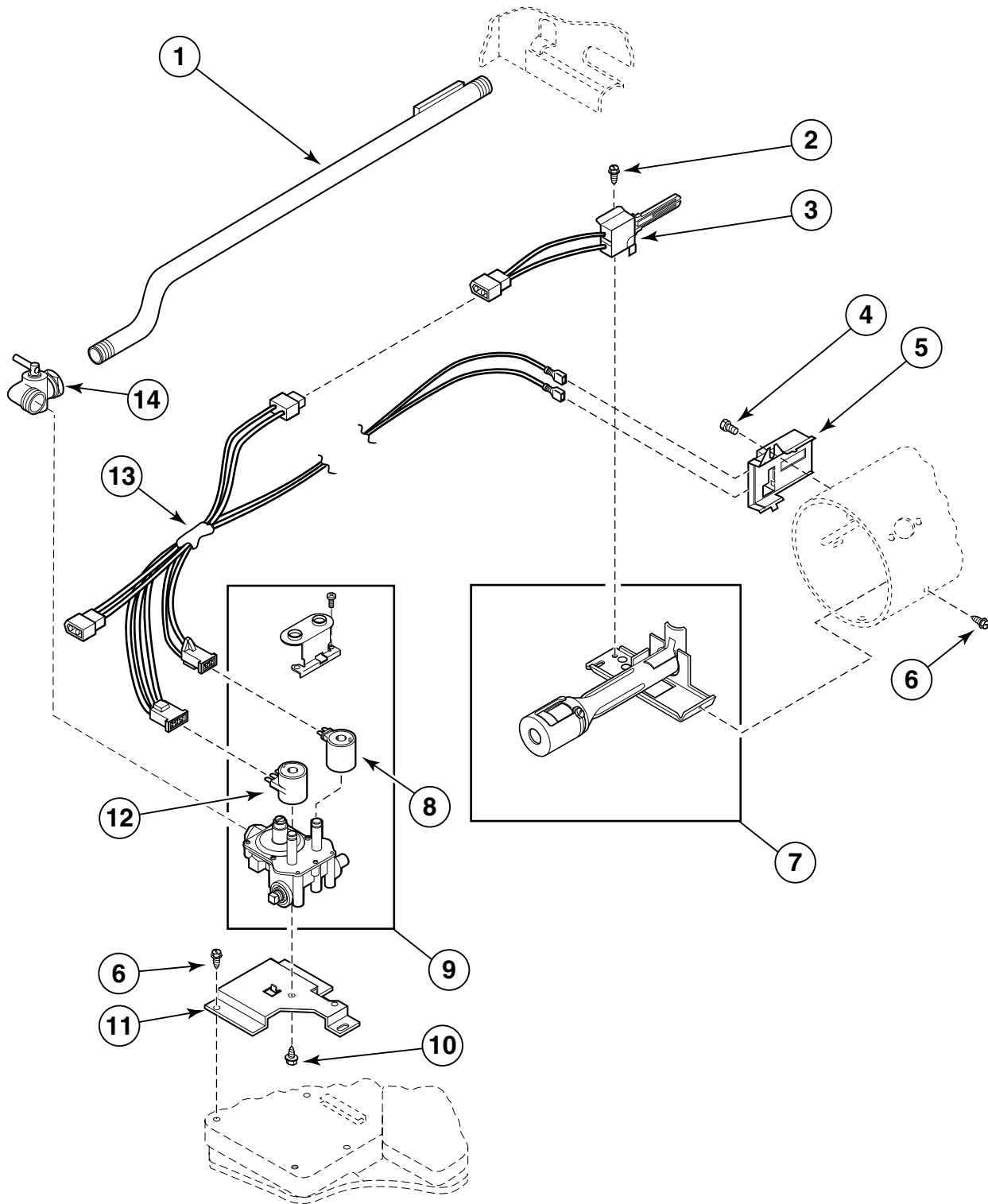
# Heater Duct Assembly

(Gas Model Dryers)

REF	PART #	DESCRIPTION	COMMENTS
1	503688	Screw	
2	61974	Combustion Duct	
3	510101	Heat Shroud	
4	500820	Outlet Cover	
5	60952	Heat Shield	
6	51782	Screw	
7	510702	Limit Thermostat	Color Code "Black"

# Gas Valve, Igniter and Gas Conversion Kits

(Gas Model Dryers)



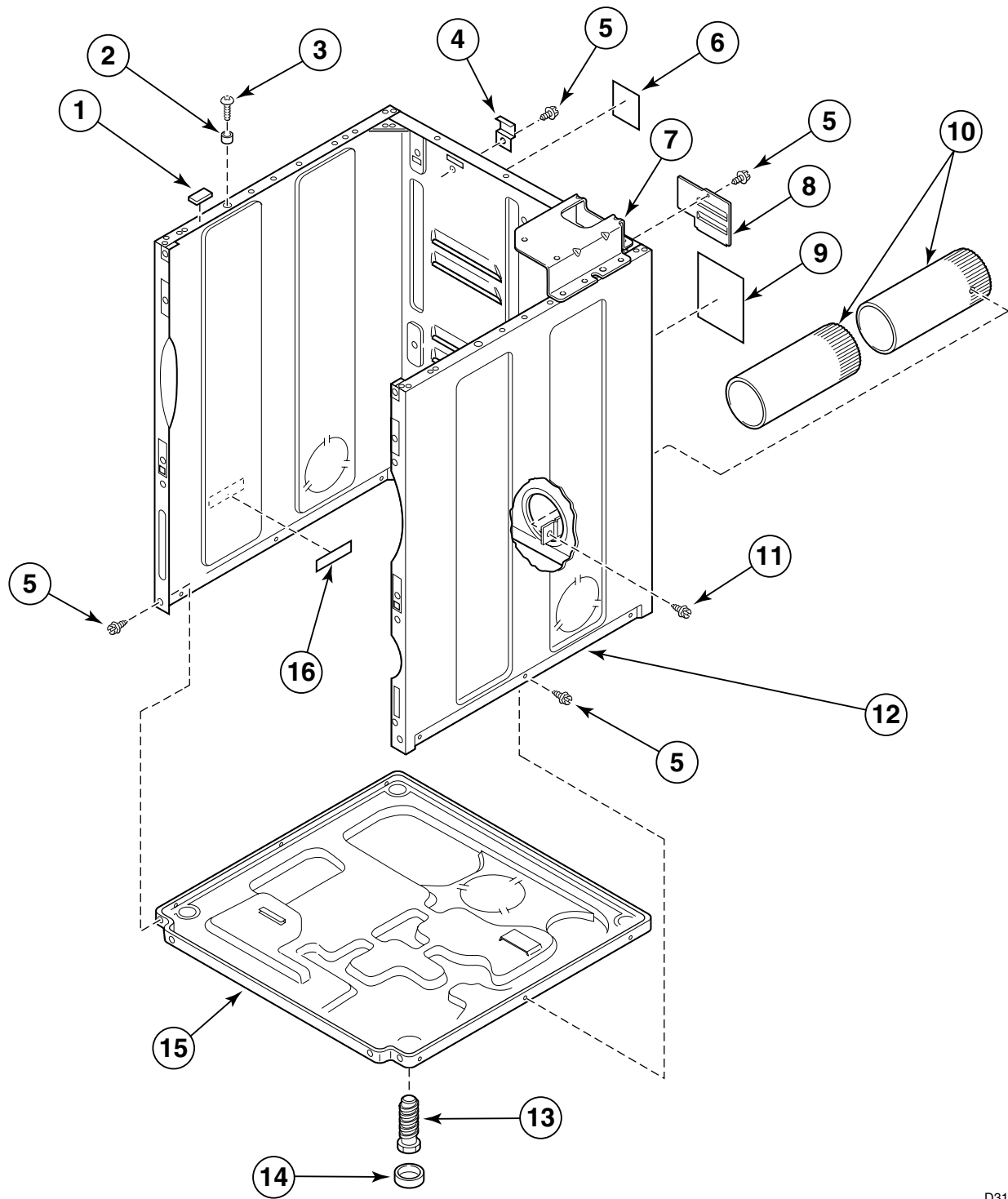
D303PE3A

# Gas Valve, Igniter and Gas Conversion Kits

(Gas Model Dryers)

REF	PART #	DESCRIPTION	COMMENTS
	401P3	Gas Burner Conversion Kit	Used to convert dryers from Natural/Mixed to LP Gas; Models AGM499* and AGM499*2 only
	402P3	Gas Burner Conversion Kit	Used to convert dryers from LP to Natural/Mixed Gas; Models AGM499* and AGM499*2 only
	458P3	Gas Burner Conversion Kit	Used to convert dryers from Natural/Mixed to LP Gas
	459P3	Gas Burner Conversion Kit	Used to convert dryers from LP to Natural/Mixed Gas
<b>1</b>	500647	Lead-In Pipe Assembly	
<b>2</b>	51782	Screw	
<b>3</b>	510184P	Igniter and Bracket Assembly	
<b>4</b>	23222	Screw	
<b>5</b>	510213	Sensor	
<b>6</b>	503688	Screw	
<b>7</b>	56234	Burner Assembly	
<b>8</b>	58804B	Secondary Coil	
<b>9</b>	60353	Gas Valve Assembly	
	58804	Gas Valve Assembly	Models AGM499* and AGM499*2
<b>10</b>	56124	Screw	
<b>11</b>	510128	Mounting Bracket	
<b>12</b>	58804A	Holding and Booster Coil	
<b>13</b>	510530	Wire Harness	
<b>14</b>	510205	Shut-off Valve	

# Cabinet, Exhaust Duct and Base



D316PZ3A

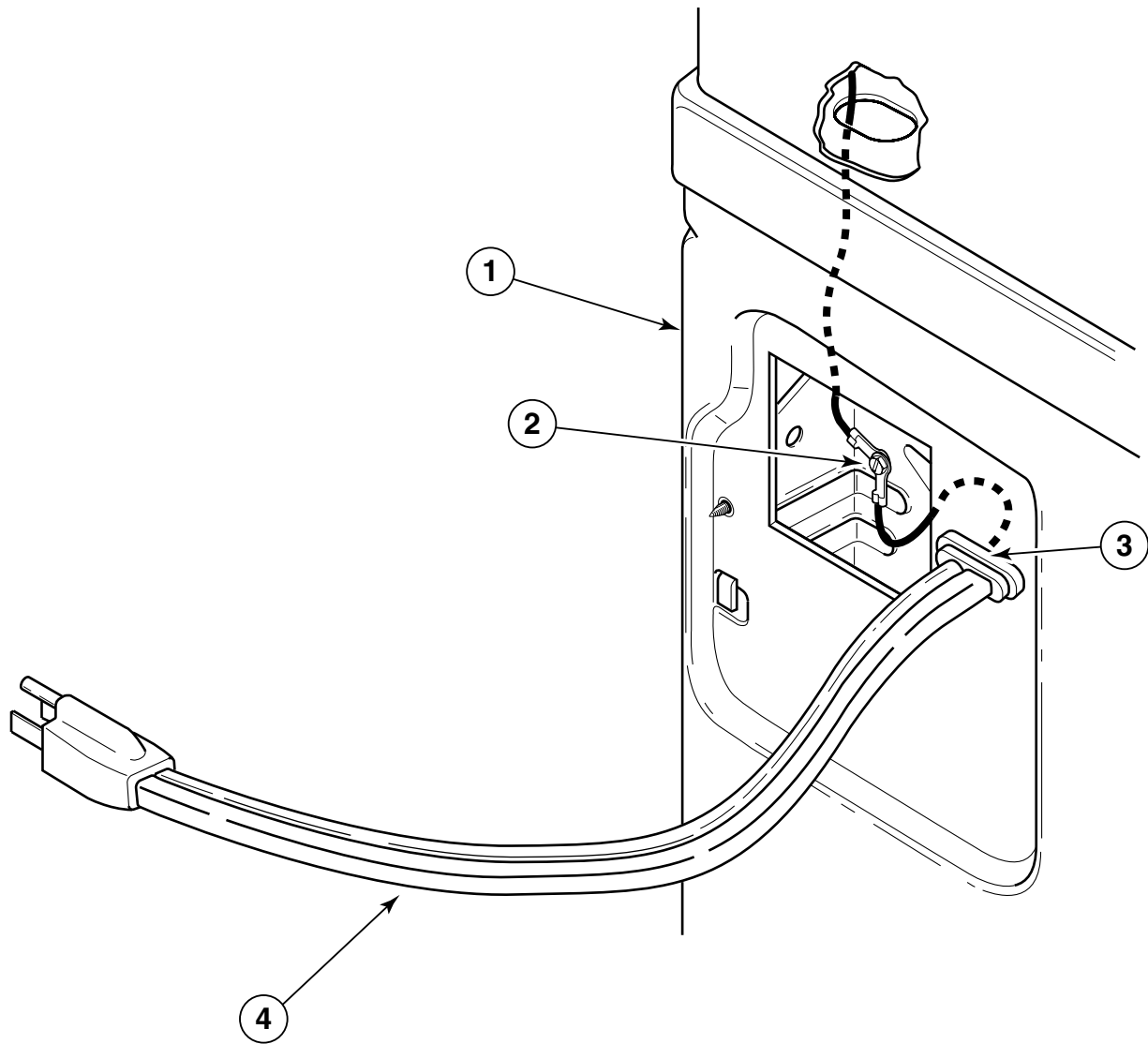
## Cabinet, Exhaust Duct and Base

REF	PART #	DESCRIPTION	COMMENTS
	521P3	Flexible Venting Kit	
	528P3	Directional Exhaust Kit	Used to vent dryer out the sides or bottom
<b>1</b>	56128	Bumper	
<b>2</b>	56079	Locator	
<b>3</b>	32671	Screw	
<b>4</b>	510136	Top Hinge	
<b>5</b>	503661	Screw	
<b>6</b>	511004	Label	Gas Models
<b>7</b>	503456	Bracket	Commercial Models
<b>8</b>	510903	Access Cover Plate	
<b>9</b>	511005	Label	Electric Models
<b>10</b>	500064	Exhaust Duct	Each dryer requires two pieces
<b>11</b>	503688	Screw	
<b>12</b>	727P3*	Cabinet	
<b>13</b>	510135	Leveling Leg	
<b>14</b>	501855	Rubber Foot	
<b>15</b>	510084	Base	
<b>16</b>	61294	Label	Electric Models

\* Add Letter To Designate Color. L – Almond W – White

# Power Cord

(All Gas Models)



D298PZ3B



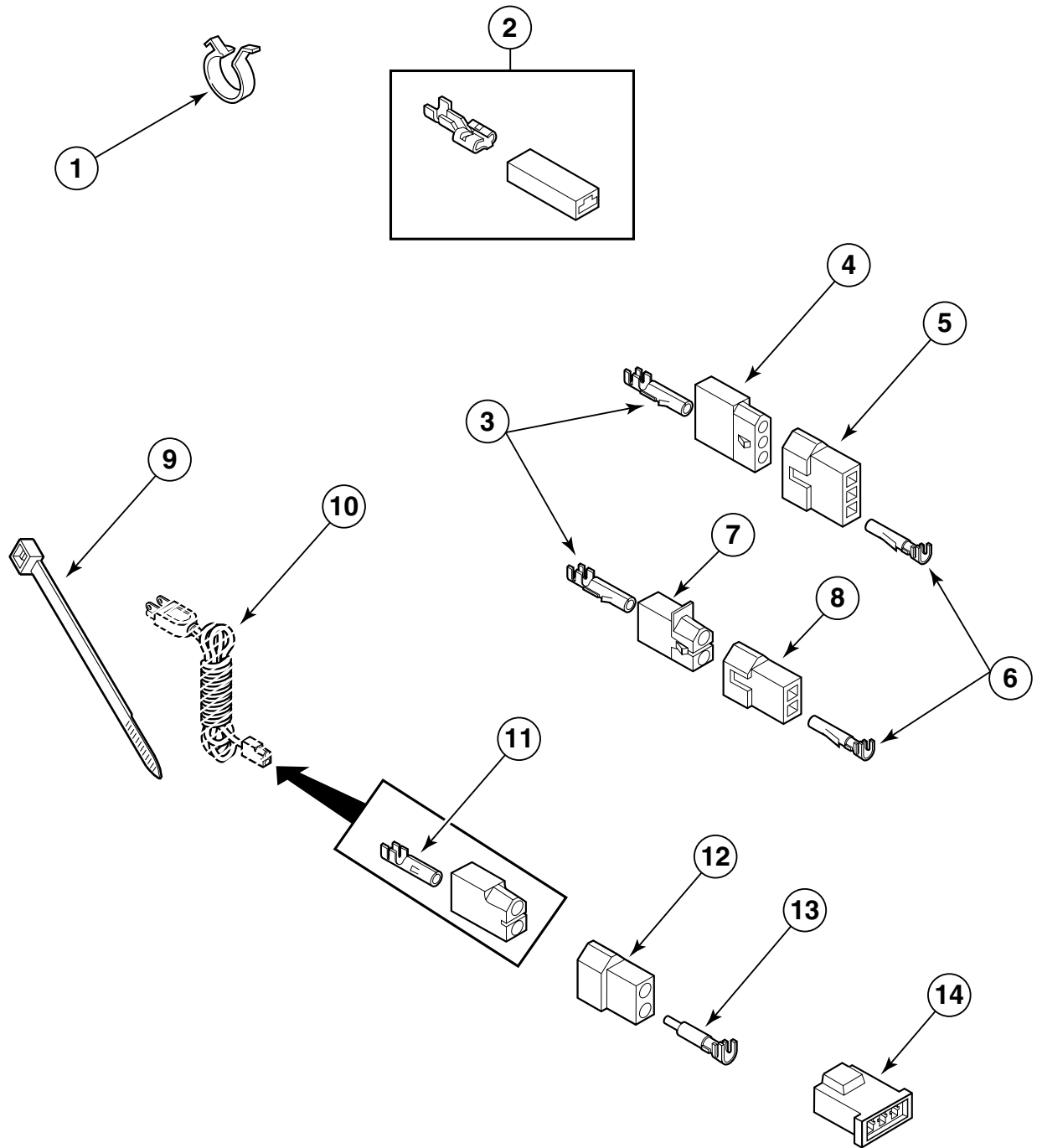
# Power Cord

(All Gas Models)

REF	PART #	DESCRIPTION	COMMENTS
1	727P3*	Cabinet	
2	20530	Screw	
3	38384	Strain Relief	
4	59308	Power Cord	

\* Add Letter To Designate Color. L – Almond W – White

# Terminal Block and Terminals

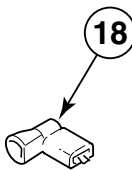
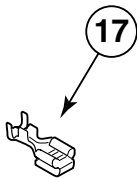
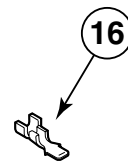
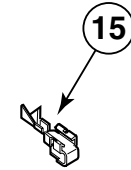
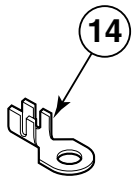
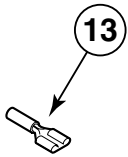
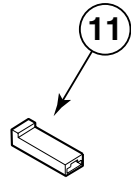
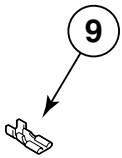
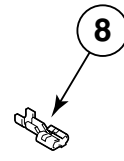
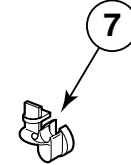
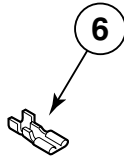
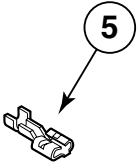
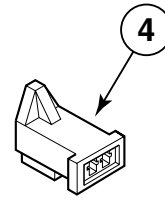
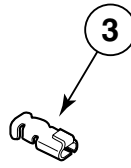
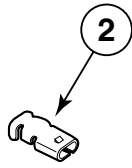
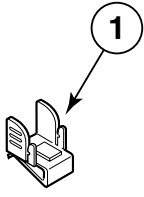


D321PZ3C

## Terminal Block and Terminals

REF	PART #	DESCRIPTION	COMMENTS
1	504034	Wire Clip	
2	00237	Insulated 1/4 Inch Spade Terminal	One 12 Gauge Wire or two 18 Gauge Wires
3	00117	Female Socket Terminal	
4	23039	Terminal Block Receptacle	3 Circuit
5	23040	Terminal Block Plug	3 Circuit
6	00116	Male Pin Terminal	
7	56451	Terminal Block Receptacle	2 Circuit
8	56448	Terminal Block Plug	2 Circuit
9	55881	Wire Tie	
10	59308	Power Cord	Gas Models
11	00130	Female Socket Terminal	
12	56266	Terminal Block Plug	2 Circuit
13	00127	Male Pin Terminal	
14	58800	Terminal Block	3 Circuit connector

# Terminals

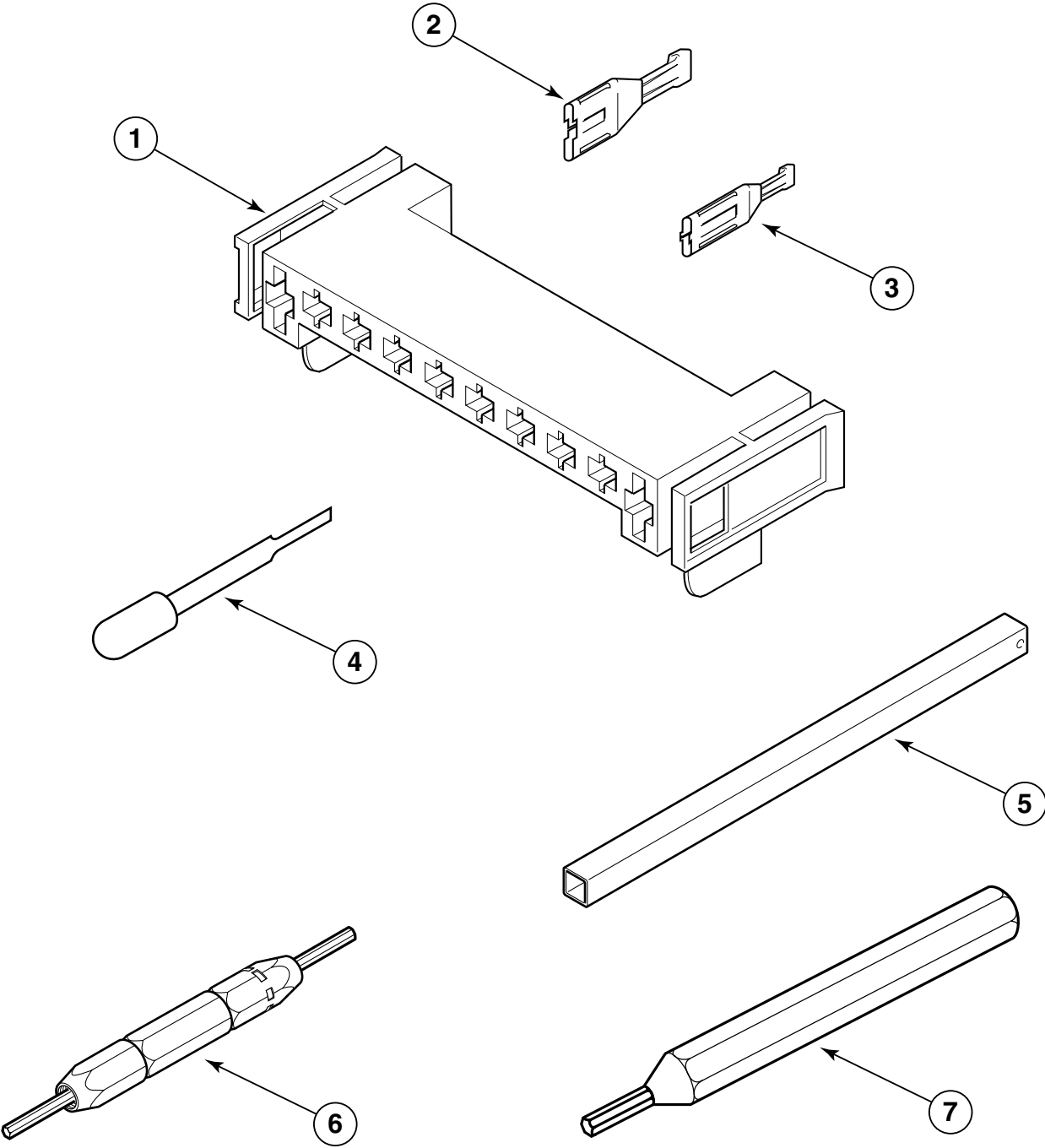


D322PZ3A

# Terminals

REF	PART #	DESCRIPTION	COMMENTS
1	00161	Ground Clip	
2	00189	Spade Terminal	
3	00361	Terminal	Receptacle connector
4	58799	Terminal Block	2 Circuit connector
5	00119	Spade Terminal	1/4 Inch – one 18 Gauge Wire
	00121	Spade Terminal	1/4 Inch – two 18 Gauge Wires or one 12 Gauge Wire
	00245	Spade Terminal	1/4 Inch – one 22 Gauge Wire
6	00124	Spade Terminal	3/16 Inch – two 18 Gauge Wires – .020 Tab
	00156	Spade Terminal	3/16 Inch – Thermostat Wire – .032 Tab
	00209	Spade Terminal	3/16 Inch – two 18 Gauge Wires – .020 Tab
7	38384	Strain Relief	
8	00346	Terminal	
9	00347	Terminal	
10	00115	Lock In Spade Terminal	1/4 Inch – one 18 Gauge Wire
	00122	Lock In Spade Terminal	1/4 Inch – two 18 Gauge Wires or one 12 Gauge Wire
11	90789	Connector	
12	00163	Insulated Spade Terminal	1/4 Inch
	00165	Insulated Spade Terminal	3/16 Inch
13	00214	Barrel Insulated Spade Terminal	1/4 Inch – 18 Gauge Wire
	00215	Barrel Insulated Spade Terminal	1/4 Inch – 12 Gauge Wire
14	00110	Ring Terminal #10	One 18 Gauge Wire
	00111	Ring Terminal #10	Two 18 Gauge Wires or one 12 Gauge Wire
15	00114	Spade Terminal	1/4 Inch – Double connector
16	00139	Male Tab Terminal	1/4 Inch – two 18 Gauge Wires or one 12 Gauge Wire
17	00344	Terminal	
18	00345	Terminal	

# Motor Connection Block, Terminal Extractor Tools



D319PZ3A

## Motor Connection Block, Terminal Extractor Tools

REF	PART #	DESCRIPTION	COMMENTS
1	500338	Motor Connection Block	Molex – 10 Circuit
2	00255	Spade Terminal	1/4 Inch – For one 12 Gauge Wire
	00256	Spade Terminal	1/4 Inch – For one or two 18 Gauge Wires
3	00188	Molex Terminal	For one or two wire application
4	283P4	Terminal Extractor Tool	For use on Molex Connectors
5	310P4	Ratchet Extension Tool	1/4 Inch – For coin drop installation
6	190P4	Terminal Extractor Tool	For use on electric dryer terminals
7	128P4	Terminal Extractor Tool	For use on gas dryer terminals

## Wire Harnesses and Wires

Individual wires are not available separately. Order complete wire harness, or order wire by the foot. See chart at bottom of page.

Model Number	Wire Harness	Audit Wire Harness	Control Wire Harness
AEM497*	500694	—	—
AEM497*299F6	500694	—	—
AGM499*	500695	—	—
AGM499*2	500695	—	—
DDE007*	500911	—	—
DDG009*	500904	—	—
EE2007*	500911	—	—
EE2007*T	500911	—	—
EE2007*T1500	500911	—	—
EE2107*	500825	—	—
EE2107*T	500825	—	—
EE2107*T1500	500825	—	—
EE2107*A	501603	—	—
EE2507*	500825	—	—
EE2507*T	500825	—	—
EE2507*T1500	500825	—	—
EE2507*A	501603	—	—
EE2607*	500825	62647	—
EE2607*T	500825	62647	—
EE2607*T1500	500825	62647	—
EE2607*A	501603	—	—
EE2807*	501380	—	503423
EE2807*M	501380	—	503423
EE2807*T	501380	—	503423
EE2807*T1500	501380	—	503423

Model Number	Wire Harness	Audit Wire Harness	Control Wire Harness
EE2907*	501380	—	504567
EE2907*M	501380	—	504567
EEJ907*T	38026	—	—
EG2009*	500904	—	—
EG2009*T	500904	—	—
EG2009*T1188	500904	—	—
EG2009*-1188	500904	—	—
EG2109*	500826	—	—
EG2109*T	500826	—	—
EG2109*A	501604	—	—
EG2509*	500826	—	—
EG2509*T	500826	—	—
EG2509*A	501604	—	—
EG2609*	500826	62647	—
EG2609*T	500826	62647	—
EG2609*A	501604	—	—
EG2809*	501370	—	503423
EG2809*T	501370	—	503423
EG2909*	501370	—	503423
EGJ909*T	38026	—	—
ZE2007*	500911	—	—
ZE2107*	501603	—	—
ZG2009*	500904	—	—
ZG2109*	501604	—	—

\* Add Letter To Designate Color. L – Almond W – White

Order the individual wire color and gauge by the part number listed below. Order wire by the foot, and terminals and connectors as required. It is recommended when applying terminals to wires that the terminals be soldered to the wires.

**IMPORTANT: Always replace wires with proper gauge.**

PART NUMBER	WIRE GAUGE	WIRE COLOR
45001	18 Gauge Wire	Black
45380	12 Gauge Wire	Orange



# Parts Index

## A

Access Cover Plate 510903 .....	53
Access Panel 510069* .....	35
Adhesive 22506P .....	37
Adhesive for Cylinder Seal 22506P .....	41, 43
Audit Control 34522P .....	25

## B

Back Panel 500343 .....	29
505798 .....	23, 27
Back Plate 505798 .....	25
Baffle 510102 .....	41
Barrel Insulated Spade Terminal 00214 .....	59
00215 .....	59
Base 510084 .....	39, 53
Belt 510178 .....	37, 39
Bolt 29651 .....	7, 9
Bracket 35525 .....	7, 9, 13, 15
503456 .....	53
Bumper 56128 .....	53
Burner Assembly 56234 .....	51

## C

Cabinet 727P3* .....	53, 55
Cabinet Top 510029WP .....	29
510030WP .....	31
510031WP .....	31
510031*P .....	5
Cap Screw 02916 .....	5, 23
Carriage Bolt 02505 .....	7, 9, 13, 15
Coin Drop Assembly 39873P .....	13
Coin Funnel Kit 523P3 .....	7, 9
Coin Slide Extension Kit 553P3 .....	11

Coin Slide Modifier 501796 .....	11
Combustion Duct 61974 .....	49
Connector 90789 .....	59
Control Hood 502567* .....	5, 23, 25, 27
Control Hood Assembly 59937 .....	21
Control Kit M414050P .....	27
Control Knob Assembly 33610 .....	21
35182 .....	23, 25
Control Panel 501359 .....	27
Control Panel Assembly 62645* .....	23, 25
Counter 502113 .....	11
Counter Kit 62113P .....	7
Cylinder Assembly 500095P .....	41
Cylinder Glide 510187 .....	41
Cylinder Roller 510708P .....	43
Cylinder Seal 510207P .....	41, 43

## D

Directional Exhaust Kit 528P3 .....	53
Door Catch 510177 .....	35
Door Hinge 510519 .....	33
Door Hinge Mounting Clip 500236 .....	33
Door Pull 500042* .....	33
Door Seal 500200 .....	33
Door Strike Mount 510127 .....	33
Door Striker 510181 .....	33
Door Switch 504570 .....	15
62872 .....	13, 35

## E

18 Gauge Wire 45001 .....	62
------------------------------	----

End Cap	
31248 .....	21
31249 .....	21
Exhaust Duct	
500064 .....	53
Exhaust Fan Cover	
500078 .....	37
510140 .....	39
Exhaust Fan Housing	
510138 .....	39
510138P .....	37
Exhaust Fan Impeller	
510139 .....	37, 39

---

## F

Felt Pad	
500121 .....	41
Female Socket Terminal	
00117 .....	57
00130 .....	57
Flat Head Screw	
503673 .....	9
Flexible Venting Kit	
521P3 .....	53
Front Bulkhead Assembly	
500091P .....	41
500117W .....	41
Front Overlay	
38717 .....	13, 15
Front Panel	
500033* .....	35
Front Panel Seal	
500034 .....	35

---

## G

Gas Burner Conversion Kit	
458P3 .....	51
459P3 .....	51
Gas Valve Assembly	
58804 .....	51
60353 .....	51
Gasket	
35526 .....	7, 9, 13, 15
Glide Bracket	
510145 .....	41
Graphic Overlay	
502920 .....	23
504113 .....	27
504594 .....	23
62646 .....	25
62837 .....	23
Ground Clip	
00161 .....	59

---

## H

Harness Strap	
55881 .....	7, 9

Heat Shield	
60952 .....	45, 49
Heat Shroud	
510101 .....	49
Heater Assembly	
61927 .....	45
61928 .....	45
Heater Duct Assembly	
503607P .....	47
Hex Head Screw	
503673 .....	7
Hold-Down Bracket	
510146 .....	31
Hold-down Bracket	
510146 .....	29
Holding and Booster Coil	
58804A .....	51

---

## I

Idler Lever	
510133 .....	37, 39
Idler Pulley	
510142 .....	37, 39
Idler Pulley and Lever Assembly	
510158 .....	37, 39
Igniter and Bracket Assembly	
510184P .....	51
Indicator Light	
32464 .....	23, 25
Insulated Spade Terminal	
00163 .....	59
00165 .....	59
Insulated 1/4 Inch Spade Terminal	
00237 .....	57

---

## K

Keps Nut	
29786 .....	5
Knurled Nut	
24205 .....	23, 25

---

## L

Label	
24903 .....	29, 31
500049 .....	41
500281 .....	35
500490 .....	5
500628 .....	7, 9, 11
511004 .....	35, 53
511005 .....	53
56259 .....	41
61294 .....	53
Lead-In Pipe Assembly	
500647 .....	51
Leveling Leg	
510135 .....	53

Limit Thermostat	
510701 .....	45
510702 .....	49
Liner and Seal Assembly	
500199 .....	33
Lint Filter	
502140P .....	41
Locator	
56079 .....	35, 53
Lock In Spade Terminal	
00115 .....	59
00122 .....	59
Locking Bracket	
30642 .....	7, 9, 13, 15
Locking Rod	
501365 .....	13
Locknut	
29786 .....	7, 9, 13, 15
52566 .....	37, 39
56156 .....	37, 39, 43
Lockwasher	
02431 .....	5, 23, 25, 27
03815 .....	5
21734 .....	7, 9
25820 .....	23, 25
91176 .....	23, 25

---

## M

Magnet	
501453 .....	9
Male Pin Terminal	
00116 .....	57
00127 .....	57
Male Tab Terminal	
00139 .....	59
Meter Case	
38542*P .....	13
38724* .....	15
524P3* .....	7, 9
Meter Case Gasket	
26354 .....	7, 9, 13, 15
Molex Terminal	
00188 .....	61
Motor Assembly	
510508P .....	37, 39
Motor Connection Block	
500338 .....	61
Motor Hub Ring Kit	
590P3 .....	37, 39
Motor Mounting Bracket	
510060 .....	37, 39
Motor Mounting Clamp	
510180 .....	37, 39
Motor Pulley	
500011 .....	37, 39
Motor Switch	
501218P .....	37, 39
Mounting Bracket	
510128 .....	51

---

## N

Nut	
29796 .....	7, 9
35322 .....	25
52566 .....	23, 25, 27
52947 .....	23, 25
57584 .....	21

---

## O

Outer Door Panel	
500040* .....	33
Outlet Cover	
500820 .....	47, 49

---

## P

Pawl Spring	
53244 .....	17, 19
Phillips Head Screw	
52864 .....	23, 25
Power Cord	
59308 .....	55, 57
Push-on Clip	
34762 .....	25
Push-to-Start Switch Assembly	
55882 .....	23, 25

---

## R

Ratchet Extension Tool	
310P4 .....	61
Ratchet Wheel	
53239 .....	17, 19
Rear Bulkhead	
505244 .....	43
510905W .....	43
Retainer Nut	
27222 .....	31
30647 .....	7, 9, 13, 15
Retainer Ring	
23748 .....	37, 39, 43
Return Spring	
53261 .....	19
Ring Terminal #10	
00110 .....	59
00111 .....	59
Roller Bracket	
510100 .....	43
Rubber Foot	
501855 .....	53

---

**S**

Screw	
02916 .....	25, 27
03203 .....	7, 9, 11
03950 .....	7, 9, 11
20530 .....	7, 9, 29, 31, 37, 55
23222 .....	45, 51
27328 .....	5
31260 .....	9, 21, 37, 39
31752 .....	21
32671 .....	35, 53
33561 .....	37, 39
33562 .....	7, 9, 29, 35, 37
36048 .....	7, 9, 13
500227 .....	35
500297 .....	33
501086 .....	5, 11, 21, 23, 25, 27, 29
501285 .....	43
501524 .....	27
502174 .....	33
502431 .....	11
503661 .....	37, 41, 53
503673 .....	13, 15, 31
503688 .....	39, 41, 43, 45, 47, 49, 51, 53
51778 .....	5
51782 .....	49, 51
52864 .....	27, 33, 41
56124 .....	51
61199 .....	43
62588 .....	41
Seal	
500313 .....	37
510238 .....	39
Secondary Coil	
58804B .....	51
Sensor	
510213 .....	51
Sensor Control	
35026 .....	9
Service Door	
35798* .....	7, 9, 13, 15
Set Screw	
20310 .....	5, 23, 25
Shaft	
56461 .....	37, 39, 43
Shield	
510237 .....	43
Shoulder Bolt	
500824 .....	39
Shoulder Screw	
29277 .....	15
500824 .....	37
Shut-off Valve	
510205 .....	51
Signal Control	
500823 .....	21
Slide Extension	
503455 .....	7, 9
Slotted Hex Head Screw	
33562 .....	31, 35

Spade Terminal	
00114 .....	59
00119 .....	59
00121 .....	59
00124 .....	59
00156 .....	59
00189 .....	59
00209 .....	59
00245 .....	59
00255 .....	61
00256 .....	61
Speed Clip	
28835 .....	35
Spring	
510185 .....	37, 39
Strain Relief	
38384 .....	55, 59
Support	
34896 .....	25
Switch	
34536 .....	9
34599 .....	9
53236 .....	17, 19
61468 .....	19

---

**T**

Temperature Selector Switch	
61512 .....	23, 25
Temperature Switch	
61511 .....	21
Terminal	
00333 .....	59
00344 .....	59
00346 .....	59
00347 .....	59
00361 .....	59
Terminal Block	
510190P .....	43
58799 .....	59
58800 .....	57
Terminal Block Plug	
23040 .....	57
56266 .....	57
56448 .....	57
Terminal Block Receptacle	
23039 .....	57
56451 .....	57
Terminal Extractor Tool	
128P4 .....	61
190P4 .....	61
283P4 .....	61
Thermal Fuse Kit	
510183 .....	45
Thermistor	
510522 .....	37, 39

Thermostat	
503552 .....	37
504515 .....	39
504516 .....	39
504517 .....	39
504518 .....	39
504519 .....	39
504520 .....	39
504521 .....	39
61372 .....	37
Thermostat Heater	
61401 .....	37
61623 .....	37
Timer	
502963 .....	21
510524 .....	5
Timer Assembly	
501756 .....	19
501757 .....	17
59228 .....	17
61309 .....	19
Timer Bracket	
503315 .....	11
Timer Case	
37733* .....	5
Timer Knob Assembly	
54678 .....	5
62176 .....	21
Timer Plate Assembly	
500921* .....	5
Timing Cam	
53240 .....	17, 19
53241 .....	17, 19
53242 .....	17, 19
53243 .....	17, 19
Timing Cam Drive	
M400754 .....	17, 19
Timing Motor	
53235 .....	17, 19
Top Brace	
56486 .....	31
Top Hinge	
510136 .....	53
Torx31	
Torx Bit	
281P4 .....	23, 25
282P4 .....	31, 35
Torx Bit Holder	
24161 .....	23, 25, 31, 35
Torx Head Screw	
35528 .....	23, 25
62853 .....	31, 35
Transmit Light	
34701 .....	25
Transmit Switch	
34721 .....	25
Trim Strip	
61849R .....	21
12 Gauge Wire	
45380 .....	62

---

## U

Upper Air Duct Assembly	
502231 .....	41

---

## W

Washer	
20279 .....	5
35321 .....	25
35774 .....	7, 9, 31
35917 .....	7, 9, 31
504082 .....	43
52549 .....	37, 39, 43
Wire Clip	
504034 .....	57
Wire Harness	
38026 .....	62
500694 .....	62
500695 .....	62
500825 .....	62
500826 .....	62
500904 .....	62
500911 .....	62
501370 .....	62
501380 .....	62
501603 .....	62
501604 .....	62
503423 .....	62
504567 .....	62
510530 .....	51
59296 .....	7
62647 .....	62
62672 .....	7, 9
Wire Harness Clip	
35521 .....	9
Wire Tie	
55881 .....	57