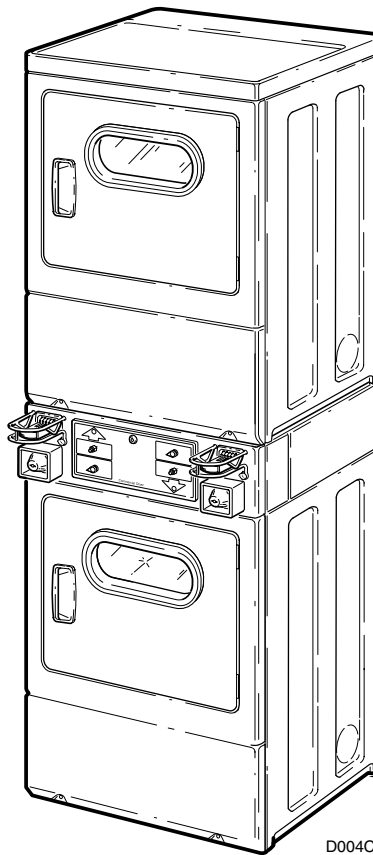


Commercial Stacked Dryers

“EE” and “EG” Series Dryers –
Metered and Nonmetered

Refer to Page 3 for Model Numbers



D004C

Parts

Table of Contents

Title	Page
Parts Ordering Information	2
Nameplate Location	2
Model Identification	3
Control Panel and Controls	4
Control Cabinet	6
Control Panel and Controls	8
Control Cabinet	10
Control Panel and Controls	12
Control Cabinet	14
Accumulator	16
Accumulator	18
Loading Door	20
Loading Door	22
Front Panel	24
Front Panel	26
Motor, Exhaust Fan and Belt	28
Front Bulkhead, Air Duct, Felt Seal and Cylinder	30
Rear Bulkhead, Felt Seal, Cylinder Roller and Terminal Block	32
Heat Duct	34
Heat Duct	36
Gas Valve, Igniter and Gas Conversion Kits	38
Cabinet Top, Cabinet and Base	40
Cabinet and Base	42
Motor Disconnect Block, Terminals and Terminal Extractor Tool	44
Power Cord and Terminals	46
Wire Harnesses and Wires	48
Parts Index	49

© Copyright 2000, Alliance Laundry Systems LLC

All rights reserved. No part of the contents of this book may be reproduced or transmitted in any form or by any means without the expressed written consent of the publisher.

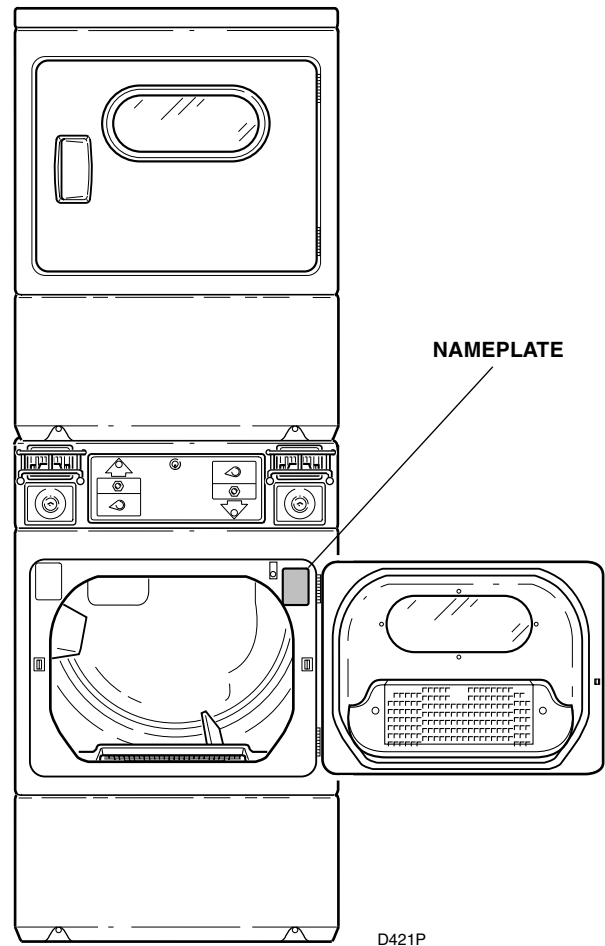
Parts Ordering Information

If literature or replacement parts are required, contact the source from whom the machine was purchased or contact Alliance Laundry Systems LLC at (920) 748-3950 for the name and address of the nearest authorized parts distributor.

For technical assistance, call (920) 748-3121.

Nameplate Location

When calling or writing about your product, be sure to mention model and serial numbers. Model and serial numbers are located on nameplate(s) as shown.



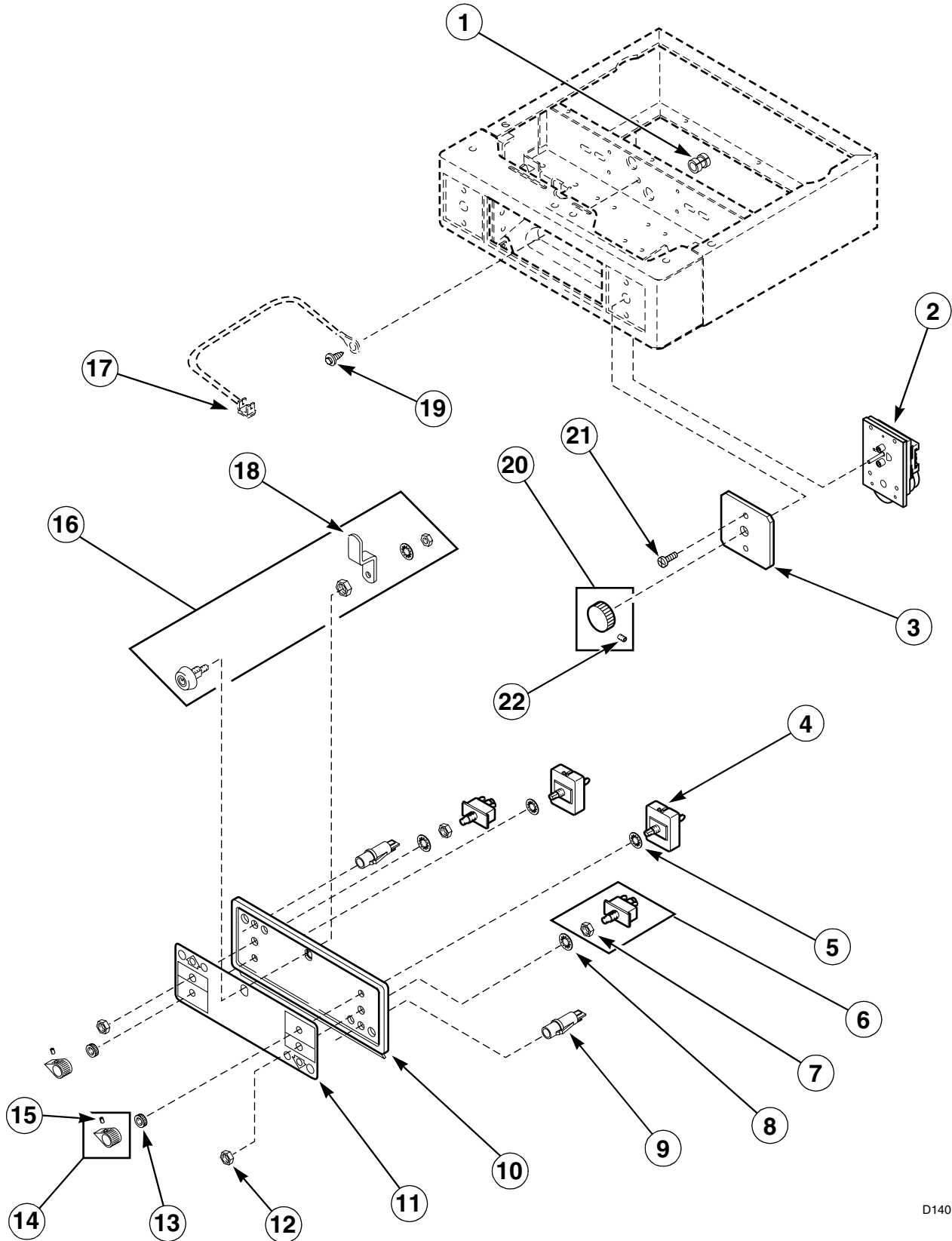
Model Identification

Information in this manual is applicable to these dryer models:

Model Number	Nonmetered Models	Metered Models	Audit Models	Computerized Audit Models	Electric Heat	Gas Heat
EE5007	X				X	
EF5009	X					X
EE5107		X			X	
EG5109		X				X
RR5117		X			X	
EG5119		X				X
EE5507		X	X		X	
EG5509		X	X			X
EE5607		X		X	X	
EG5609		X		X		X

Control Panel and Controls

(Models EE5007 and EG5009)



D140P

Control Panel and Controls

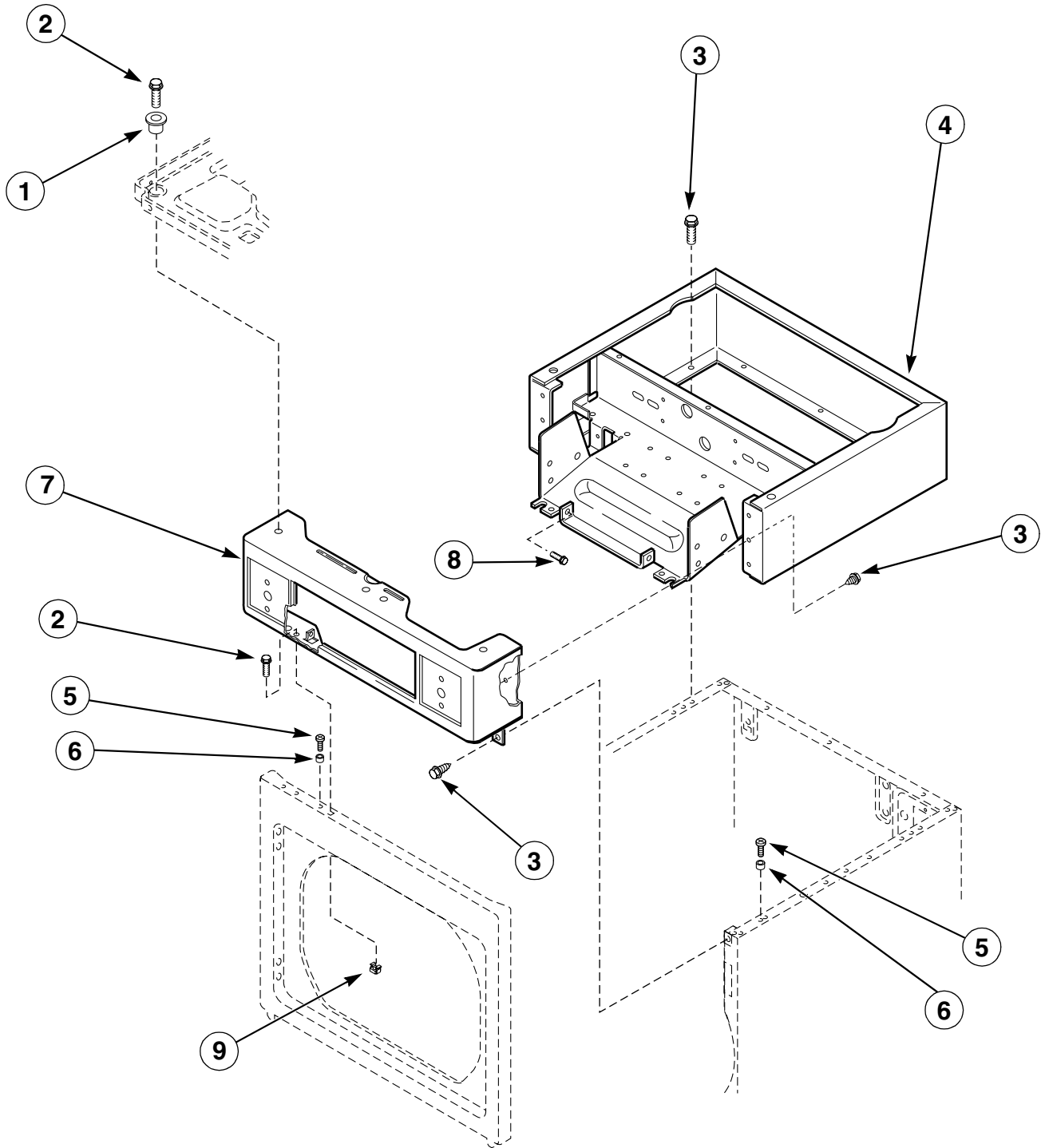
(Models EE5007 and EG5009)

REF	PART NO.	DESCRIPTION	COMMENTS
1	52151	Strain Relief	Electric Models
	52113	Strain Relief	Gas Models
2	500399	Timer	
3	500814	Overlay	
4	61512	Temperature Selector Switch	
5	91176	Lockwasher	
6	55882	Push-to-Start Switch Assembly	
7	52947	Nut	
8	25820	Lockwasher	
9	32464	Indicator Light	
10	500228*	Control Panel Frame	
11	500260	Control Panel Overlay	
12	52947	Nut	Included with 55882
13	24205	Knurled Nut	
14	35182	Control Knob Assembly	
15	20310	Set Screw	
16	27260	Lock Assembly	
17	00161	Ground Clip	
18	27261	Cam	
19	20530	Screw	
20	54678	Time Knob Assembly	
21	27328	Screw	
22	25285	Set Screw	

* Add letter to designate color: L - Almond W - White

Control Cabinet

(Models EE5007 and EG5009)



D141P

Control Cabinet

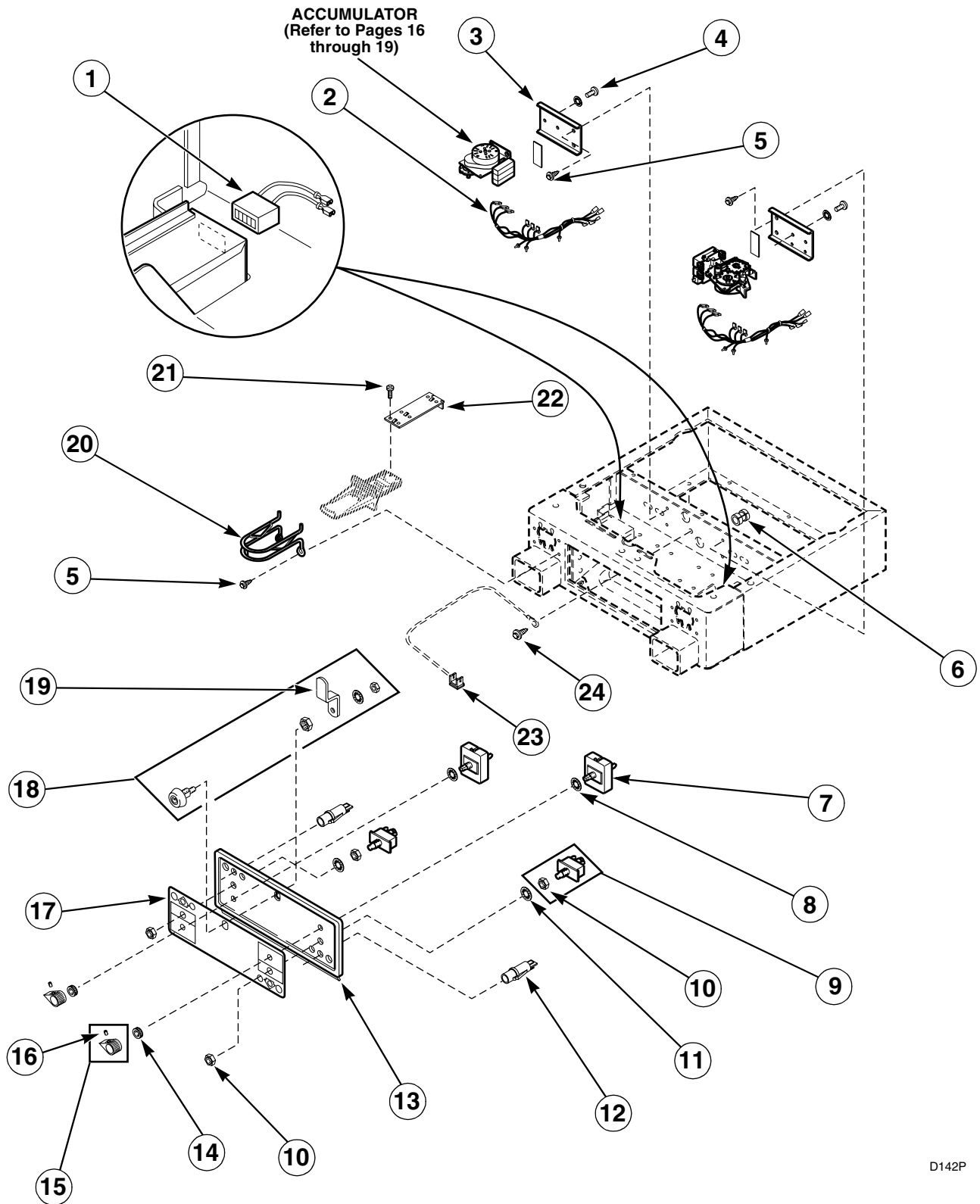
(Models EE5007 and EG5009)

REF	PART NO.	DESCRIPTION	COMMENTS
1	501307	Washer	
2	21933	Screw and Lockwasher	
3	33562	Screw	
4	500220*	Control Cabinet Wrapper	
5	32671	Screw	
6	56079	Guide Lug	
7	500225*	Control Cabinet Front	
8	500298	Screw	
9	80077	Caged Nut	

* Add letter to designate color: L - Almond W - White

Control Panel and Controls

(Models EE5107, EG5109, EE5117, EG5119, EE5507 and EG5509)



D142P

Control Panel and Controls

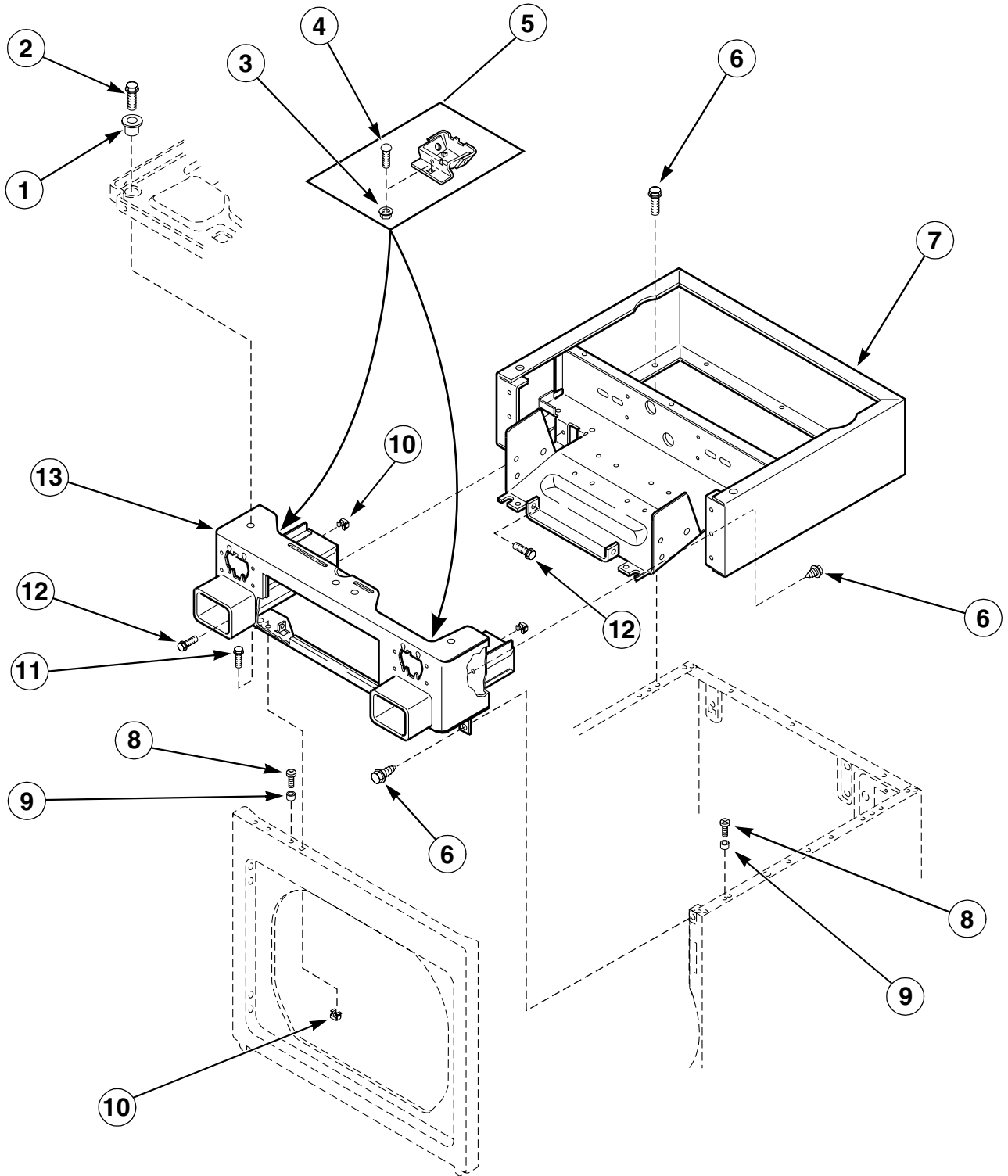
(Models EE5107, EG5109, EE5117, EG5119, EE5507 and EG5509)

REF	PART NO.	DESCRIPTION	COMMENTS
1	62113P	Counter Kit	Models EE5507 and EG5509
2	62672	Wire Harness	
3	60835	Accumulator Bracket	
4	03203	Screw	
5	33562	Screw	
6	52151	Strain Relief	Electric Models
	52113	Strain Relief	Gas Models
7	61512	Temperature Selector Switch	
8	91176	Lockwasher	
9	55882	Push-to-Start Switch Assembly	
10	52947	Nut	Included with 55882
11	25820	Lockwasher	
12	32464	Indicator Light	
13	500228*	Control Panel Frame	
14	24205	Knurled Nut	
15	35182	Control Knob Assembly	
16	20310	Set Screw	
17	500260	Control Panel Overlay	
18	27260	Lock Assembly	
19	27261	Cam	
20	58181	Coin Slide Guard	
21	03950	Screw	
22	500218	Slide Extension	
23	00161	Ground Clip	
24	20530	Screw	

* Add letter to designate color: L - Almond W - White

Control Cabinet

(Models EE5107, EG5109, EE5117, EG5119, EE5507 and EG5509)



D143P

Control Cabinet

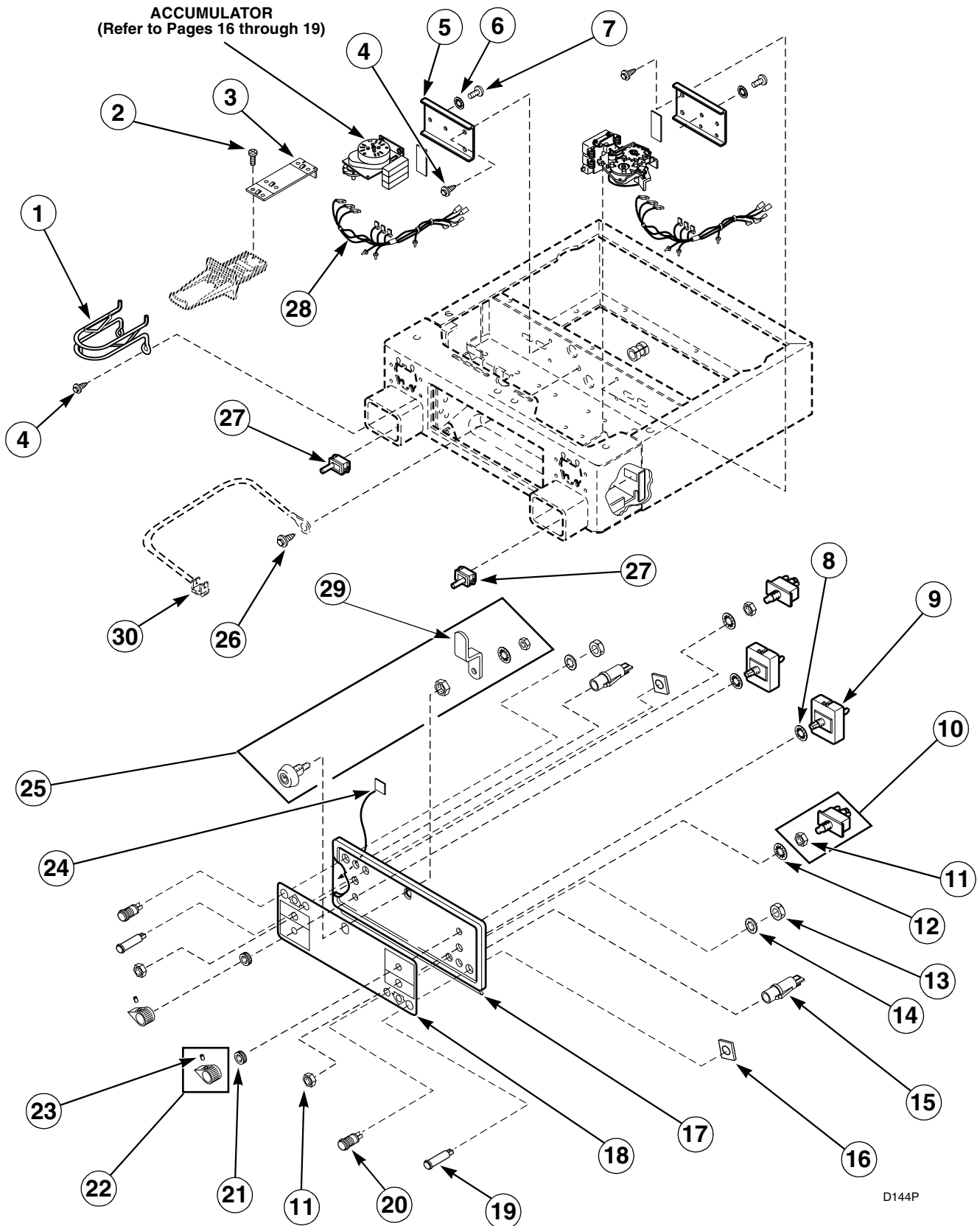
(Models EE5107, EG5109, EE5117, EG5119, EE5507 and EG5509)

REF	PART NO.	DESCRIPTION	COMMENTS
1	501307	Washer	
2	21933	Screw and Lockwasher	
3	29796	Nut	
4	29651	Bolt	
5	523P3	Coin Funnel Kit	
6	33562	Screw	
7	500220*	Control Cabinet Wrapper	
8	32671	Screw	
9	56079	Guide Lug	
10	80077	Caged Nut	
11	21933	Screw and Lockwasher	
12	500298	Screw	
13	500847*	Control Panel Cabinet Front	

* Add letter to designate color: L - Almond W - White

Control Panel and Controls

(Models EE5607 and EG5609)



Control Panel and Controls

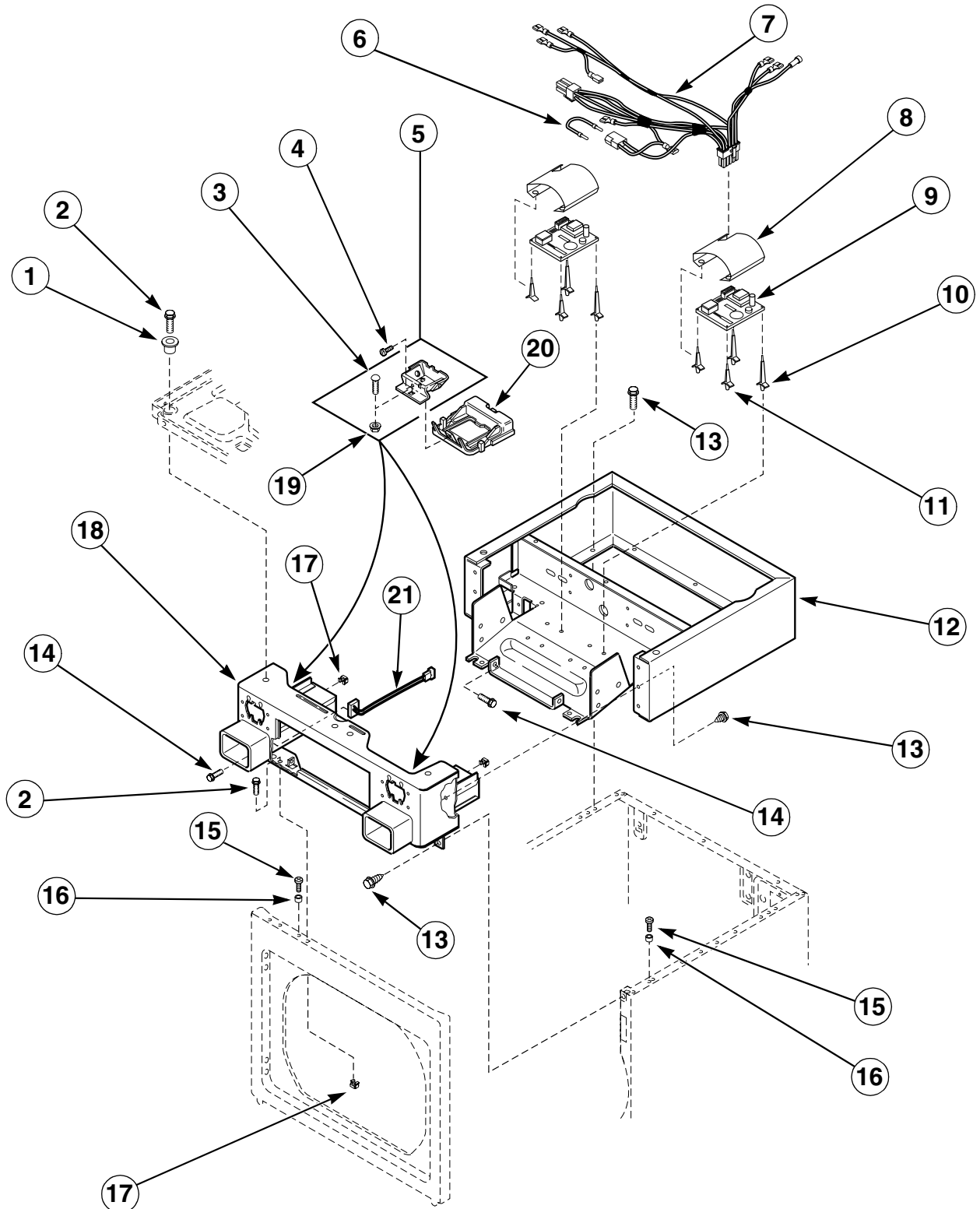
(Models EE5607 and EG5609)

REF	PART NO.	DESCRIPTION	COMMENTS
1	58181	Coin Slide Guard	
2	03950	Screw	
3	500218	Slide Extension	
4	33562	Screw	
5	60835	Accumulator Bracket	
6	21734	Lockwasher	
7	03203	Screw	
8	91176	Lockwasher	
9	61512	Temperature Selector Switch	
10	55882	Push-to-Start Switch Assembly	
11	52947	Nut	Included with 55882
12	25820	Lockwasher	
13	35322	Nut	
14	35321	Washer	
15	32464	Indicator Light	
16	34762	Push-on Clip	
17	500848*	Control Panel Frame	
18	500259	Control Panel Overlay	
19	34701	Transmit Light	
20	34721	Transmit Switch	
21	24205	Knurled Nut	
22	35182	Control Knob Assembly	
23	20310	Set Screw	
24	34696	Magnet	
25	27260	Lock Assembly	
26	20530	Screw	
27	56052	Switch	
28	59296	Wire Harness	
29	27261	Cam	
30	00161	Ground Clip	

* Add letter to designate color: L - Almond W - White

Control Cabinet

(Models EE5607 and EG5609)



D145P

Control Cabinet

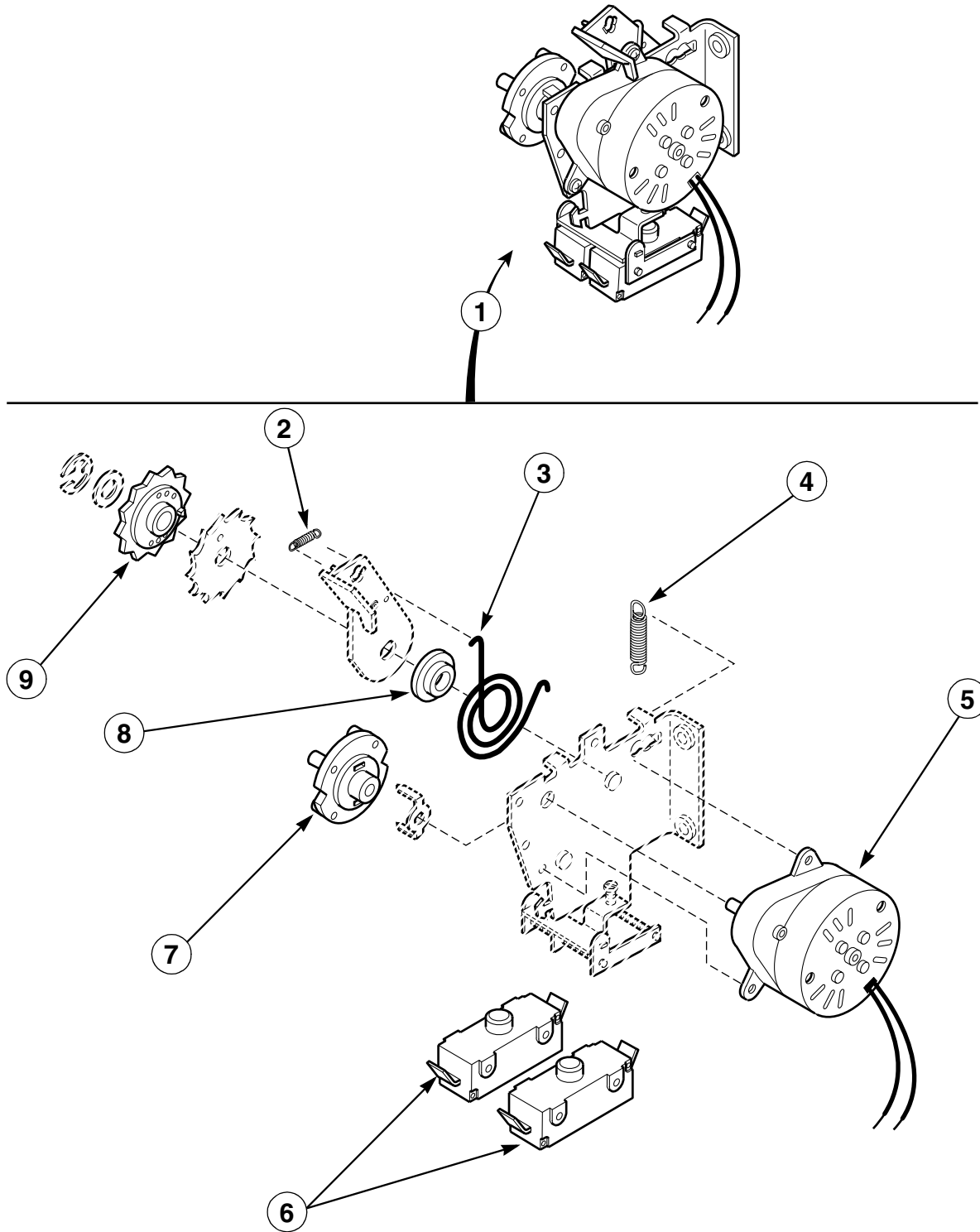
(Models EE5607 and EG5609)

REF	PART NO.	DESCRIPTION	COMMENTS
1	501307	Washer	
2	21933	Screw and Lockwasher	
3	29651	Bolt	
4	31260	Screw	
5	523P3	Coin Funnel Kit	
6	501313	Jumper Wire	Right harness only
7	501311	Wire Harness	
8	501315	Shield	
9	34522	Printed Circuit Board	
10	500951	Support	Rear
11	34896	Support	Front
12	500220*	Control Cabinet Wrapper	
13	33562	Screw	
14	500298	Screw	
15	32671	Screw	
16	56079	Guide Lug	
17	80077	Caged Nut	
18	500847*	Control Cabinet Front	
19	29796	Nut	
20	35026	Sensor Control	
21	34599	Switch	

* Add letter to designate color: L - Almond W - White

Accumulator

(Models EE5107, EG5109, EE5117, EG5119, EE5607 and EG5609)



D125P

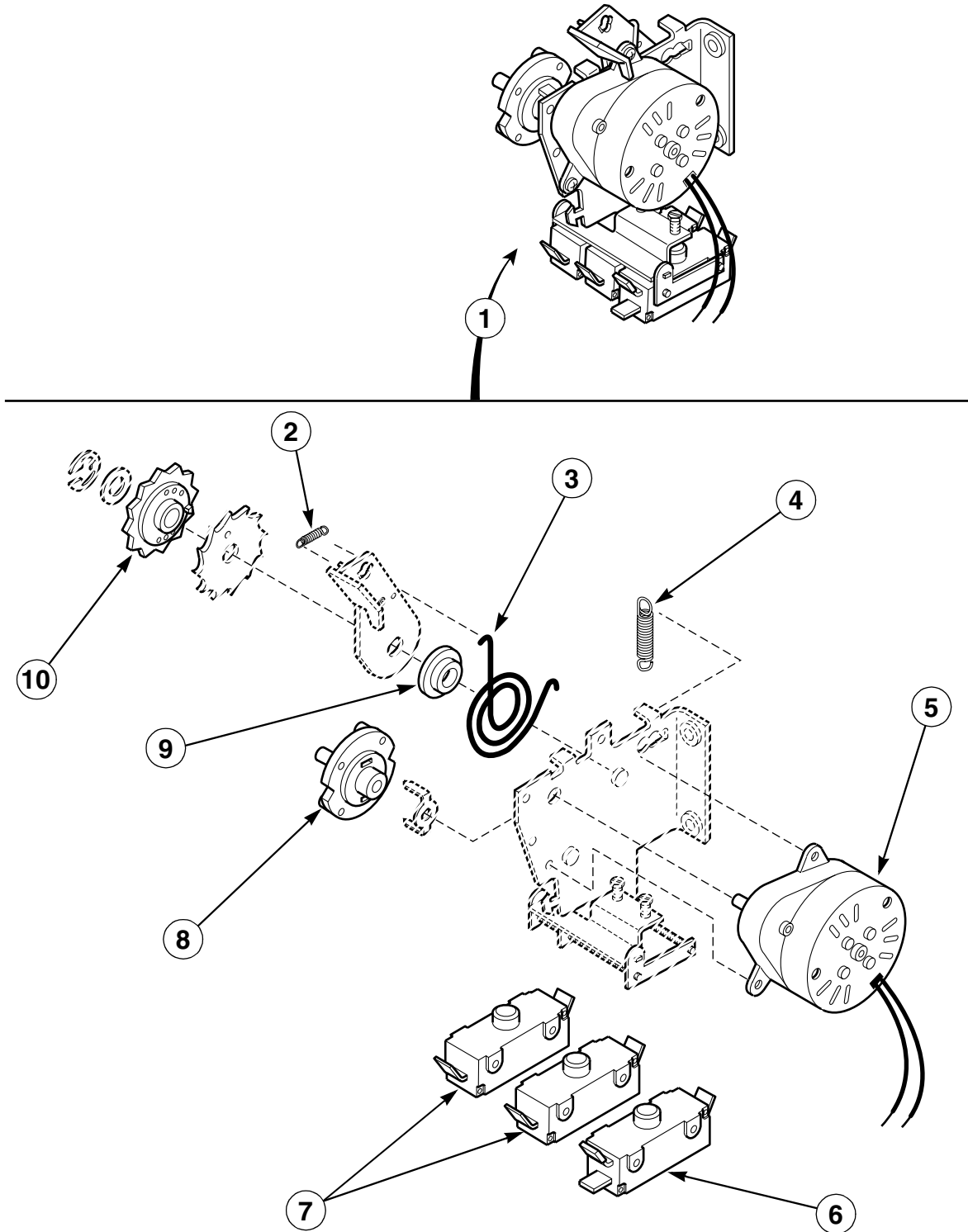
Accumulator

(Models EE5107, EG5109, EE5117, EG5119, EE5607 and EG5609)

REF	PART NO.	DESCRIPTION	COMMENTS
1	59228	Accumulator	
2	53244	Pawl Spring	
3	53261	Return Spring	
4	53238	Index Spring	
5	53235P	Timing Motor	
6	53236	Switch	
7	53240	Timing Cam	60 Minute (3 Pins)
	53241	Timing Cam	45 Minute (4 Pins)
	53242	Timing Cam	30 Minute (6 Pins)
	53243	Timing Cam	20 Minute (9 Pins)
8	53262	Nylon Bushing	
9	53239	Ratchet Wheel	

Accumulator

(Models EE5507 and EG5509)



D126P

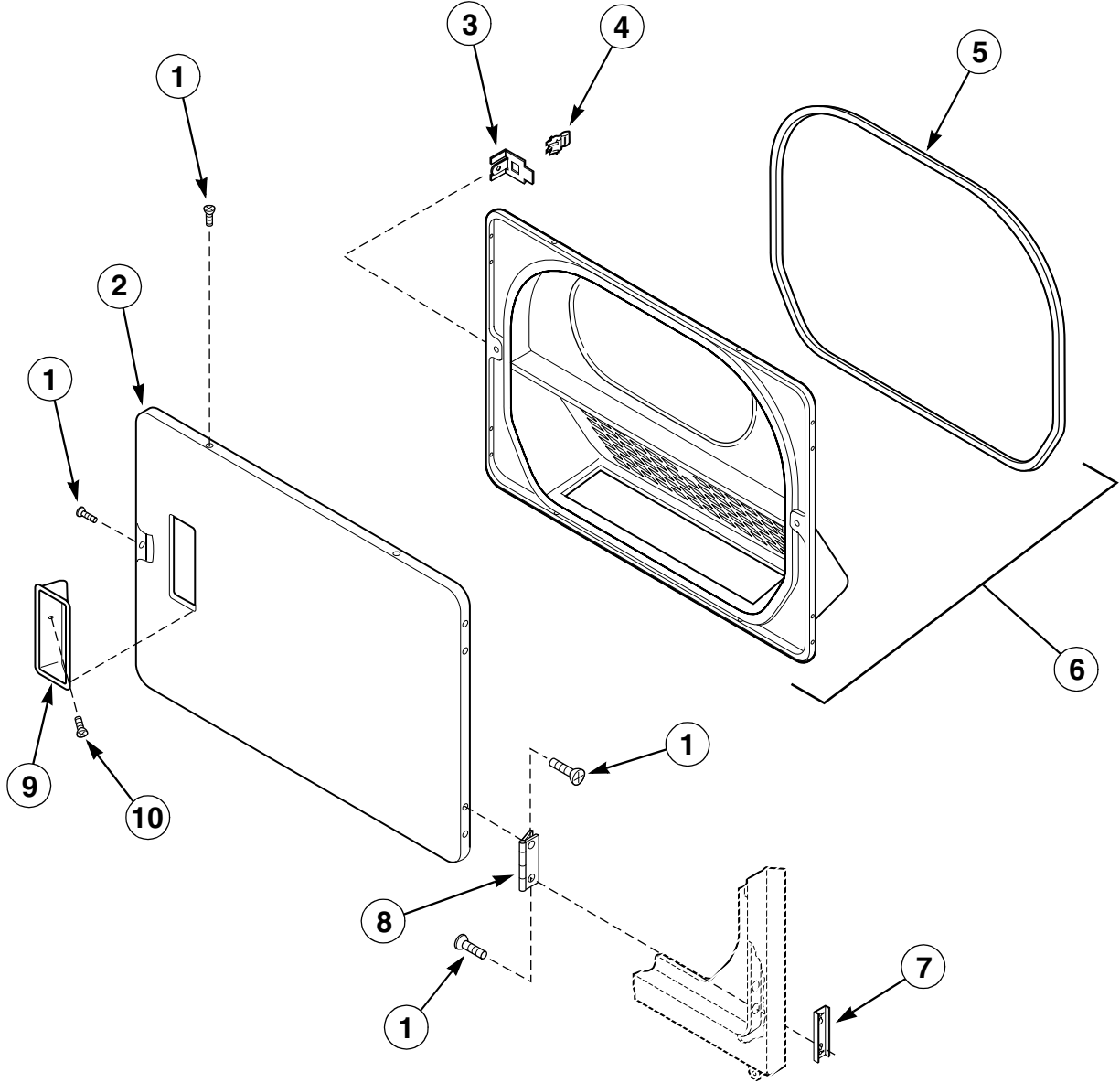
Accumulator

(Models EE5507 and EG5509)

REF	PART NO.	DESCRIPTION	COMMENTS
1	61309	Accumulator	
2	53244	Pawl Spring	
3	53261	Return Spring	
4	53238	Index Spring	
5	53235P	Timing Motor	
6	61468	Switch	
7	53236	Switch	
8	53240	Timing Cam	60 Minute (3 Pins)
	53241	Timing Cam	45 Minute (4 Pins)
	53242	Timing Cam	30 Minute (6 Pins)
	53243	Timing Cam	20 Minute (9 Pins)
9	53262	Nylon Bushing	
10	53239	Ratchet Wheel	

Loading Door

(Models EE5007, EG5009, EE5107, EG5109, EE5507, EG5509, EE5607 and EG5609)



D146P

Loading Door

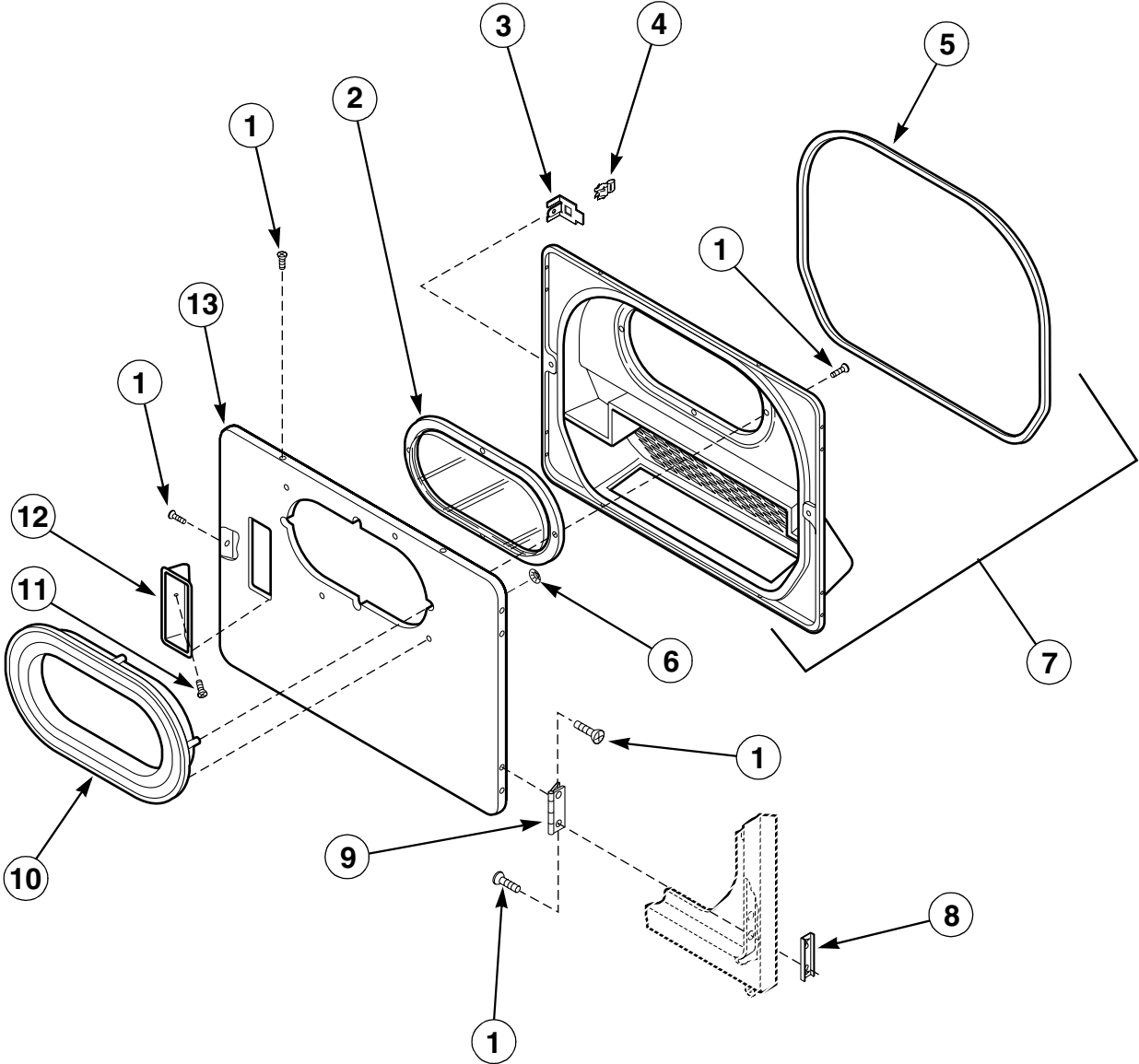
(Models EE5007, EG5009, EE5107, EG5109, EE5507, EG5509, EE5607 and EG5609)

REF	PART NO.	DESCRIPTION	COMMENTS
	500035*	Complete Loading Door Assembly	Does not include 500236 Door Hinge Mounting Clip and 500226 Screws
1	500226	Screw	Not included with 500035 Complete Loading Door Assembly
2	500040*	Outer Door Panel	
3	500223	Door Striker Bracket	
4	500039	Door Striker	
5	500200	Door Seal	
6	500199	Inner Door Panel and Seal	
7	500236	Door Hinge Mounting Clip	Not included with 500035 Complete Loading Door Assembly
8	500041	Door Hinge	
9	500042*	Door Pull	
10	500297	Screw	

* Add letter to designate color: **L - Almond** **W - White**

Loading Door

(Models EE5117 and EG5119)



D147P

Loading Door

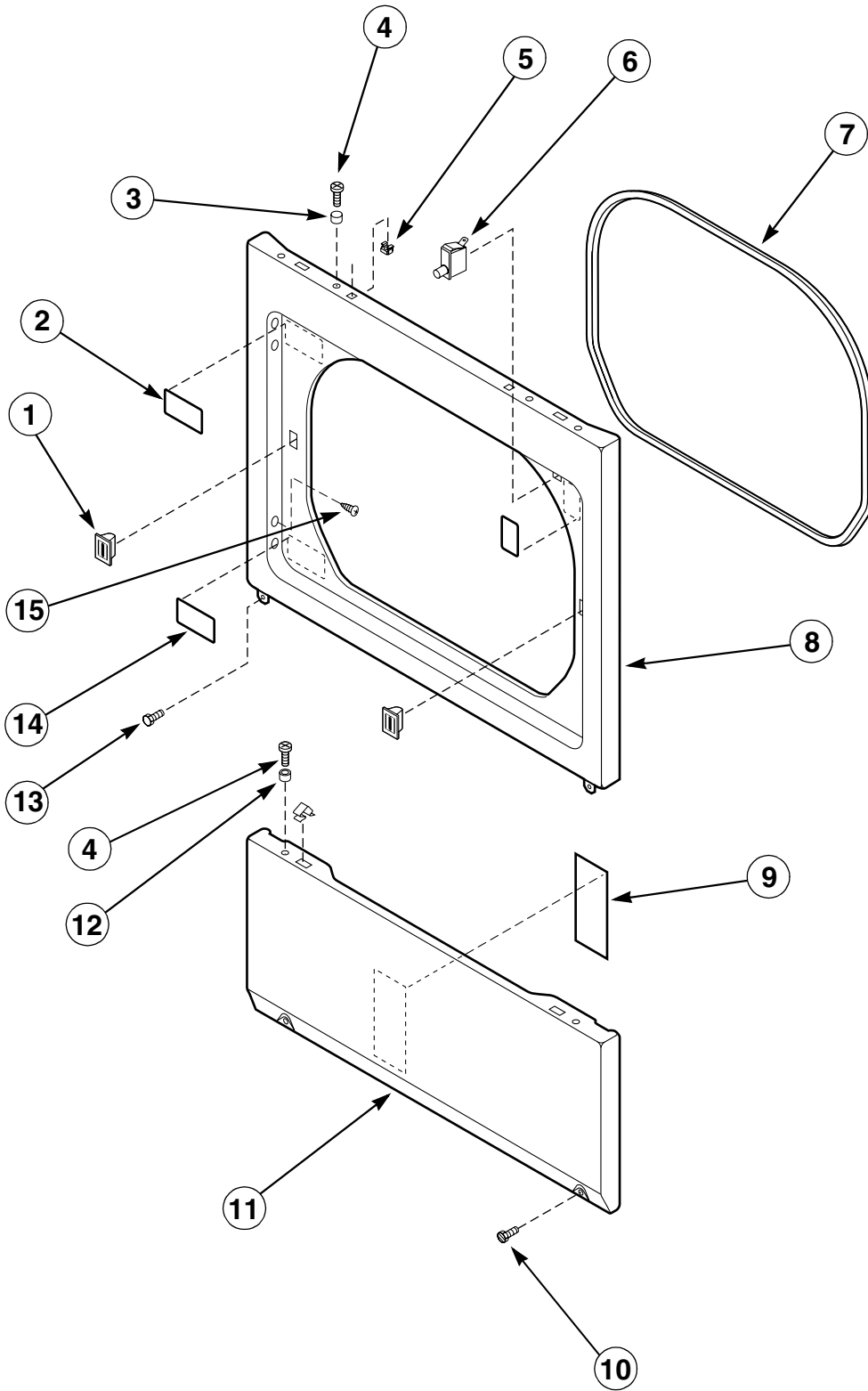
(Models EE5117 and EG5119)

REF	PART NO.	DESCRIPTION	COMMENTS
	500409*	Complete Loading Door Assembly	Does not include 500236 Door Hinge Mounting Bracket and 500226 Screws
1	500226	Screw	Not included with 500409 Complete Loading Door Assembly
2	500231	Window	
3	500223	Door Striker Bracket	
4	500039	Door Striker	
5	500200	Door Seal	
6	58030	Push Nut	
7	500410	Inner Door Panel and Seal	
8	500236	Door Hinge Mounting Bracket	Not included with 500409 Complete Loading Door Assembly
9	500041	Door Hinge	
10	500202*	Window Trim	
11	500297	Screw	
12	500042*	Door Pull	
13	500201*	Outer Door Panel	

* Add letter to designate color: L - Almond W - White

Front Panel

(Lower Dryer)



D148P

Front Panel

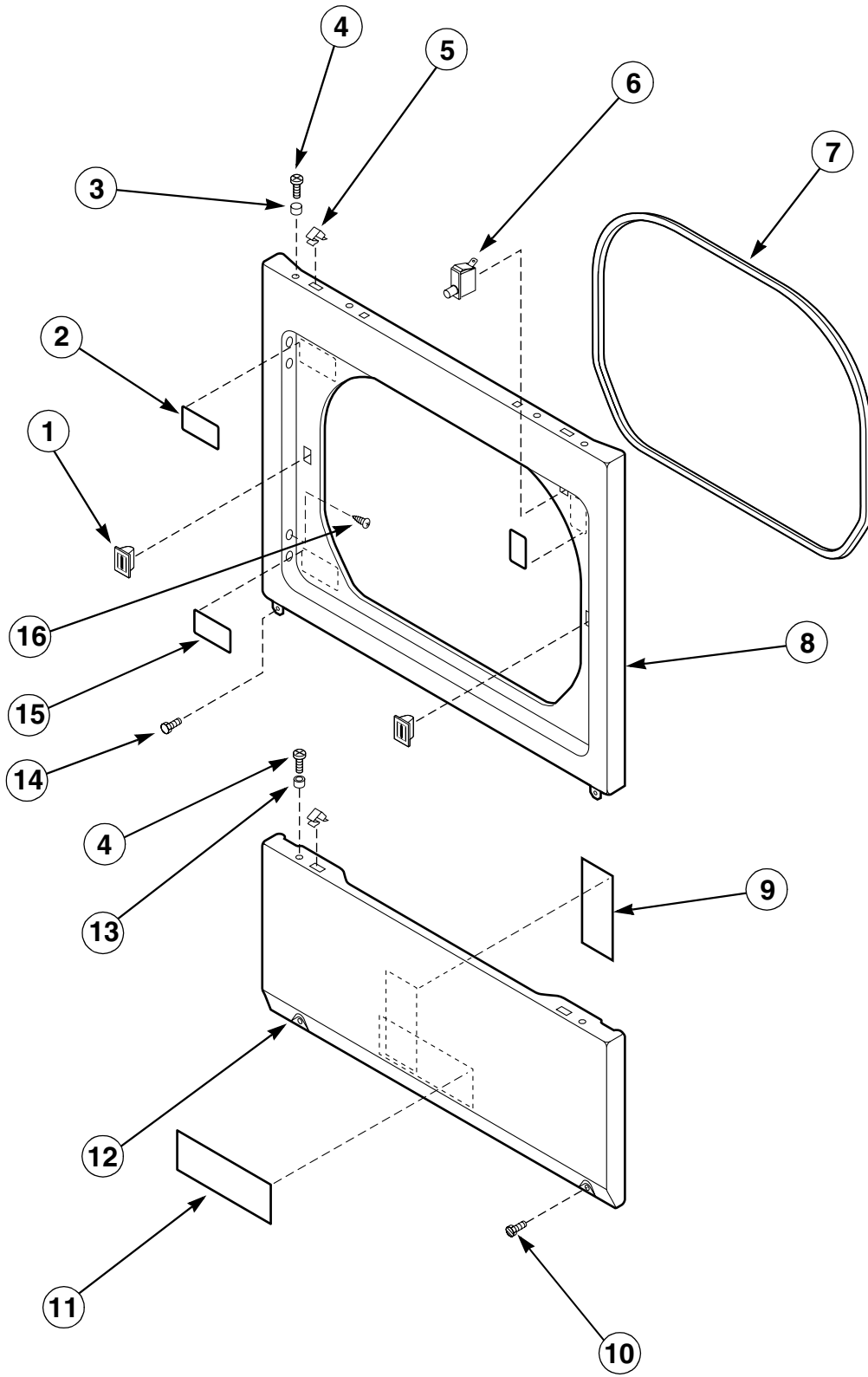
(Lower Dryer)

REF	PART NO.	DESCRIPTION	COMMENTS
	282P4	Torx Bit	Use with 62853 Screw
	24161	Torx Bit Holder	Use with 62853 Screw
1	54660	Striker Catch	
2	500252	Sticker	
3	56079	Guide Lug	
4	32671	Screw	
5	80077	Caged Nut	Optional
6	56052	Door Switch	
7	500034	Front Panel Seal	
8	500033*	Front Panel	
9	500670	Sticker	Gas Models
10	33562	Screw	
	62853	Screw	
11	500044*	Lower Access Panel	
12	56079	Guide Lug	
13	500298	Screw	
14	500347	Sticker	
15	500248	Screw	

* Add letter to designate color: L - Almond W - White

Front Panel

(Upper Dryer)



D149P

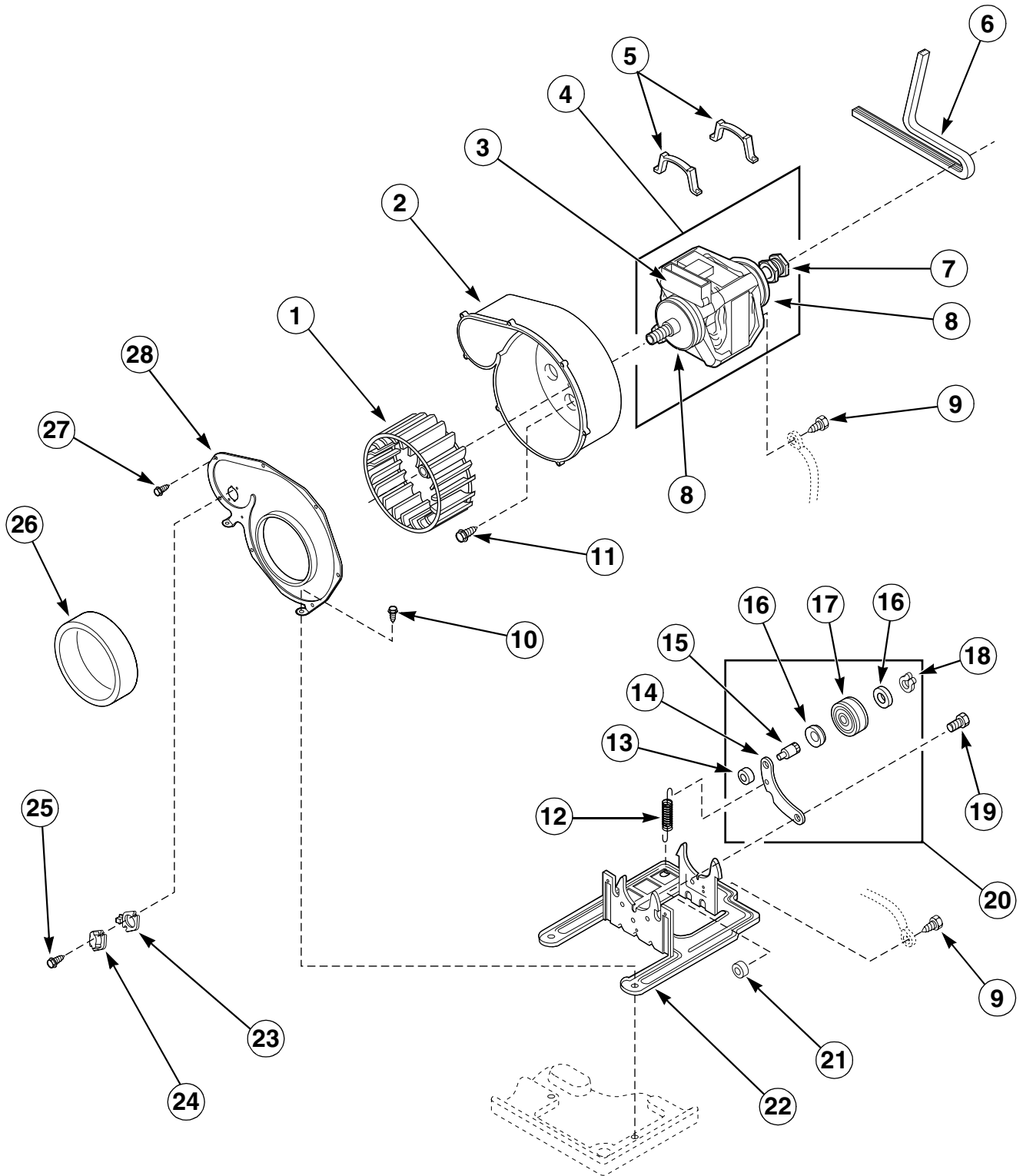
Front Panel

(Upper Dryer)

REF	PART NO.	DESCRIPTION	COMMENTS
	282P4	Torx Bit	Use with 62853 Screw
	24161	Torx Bit Holder	Use with 62853 Screw
1	54660	Striker Catch	
2	500252	Sticker	
3	56079	Guide Lug	
4	32671	Screw	
5	28835	Hold-down Clip	
6	56052	Door Switch	
7	500034	Front Panel Seal	
8	500033*	Front Panel	
9	500670	Sticker	Gas Models
10	33562	Screw	
	62853	Screw	Optional for added security
11	500390	Instructions Sticker	
12	500044*	Lower Access Panel	
13	56079	Guide Lug	
14	500298	Screw	
15	500347	Sticker	
16	500248	Screw	

* Add letter to designate color: L - Almond W - White

Motor, Exhaust Fan and Belt

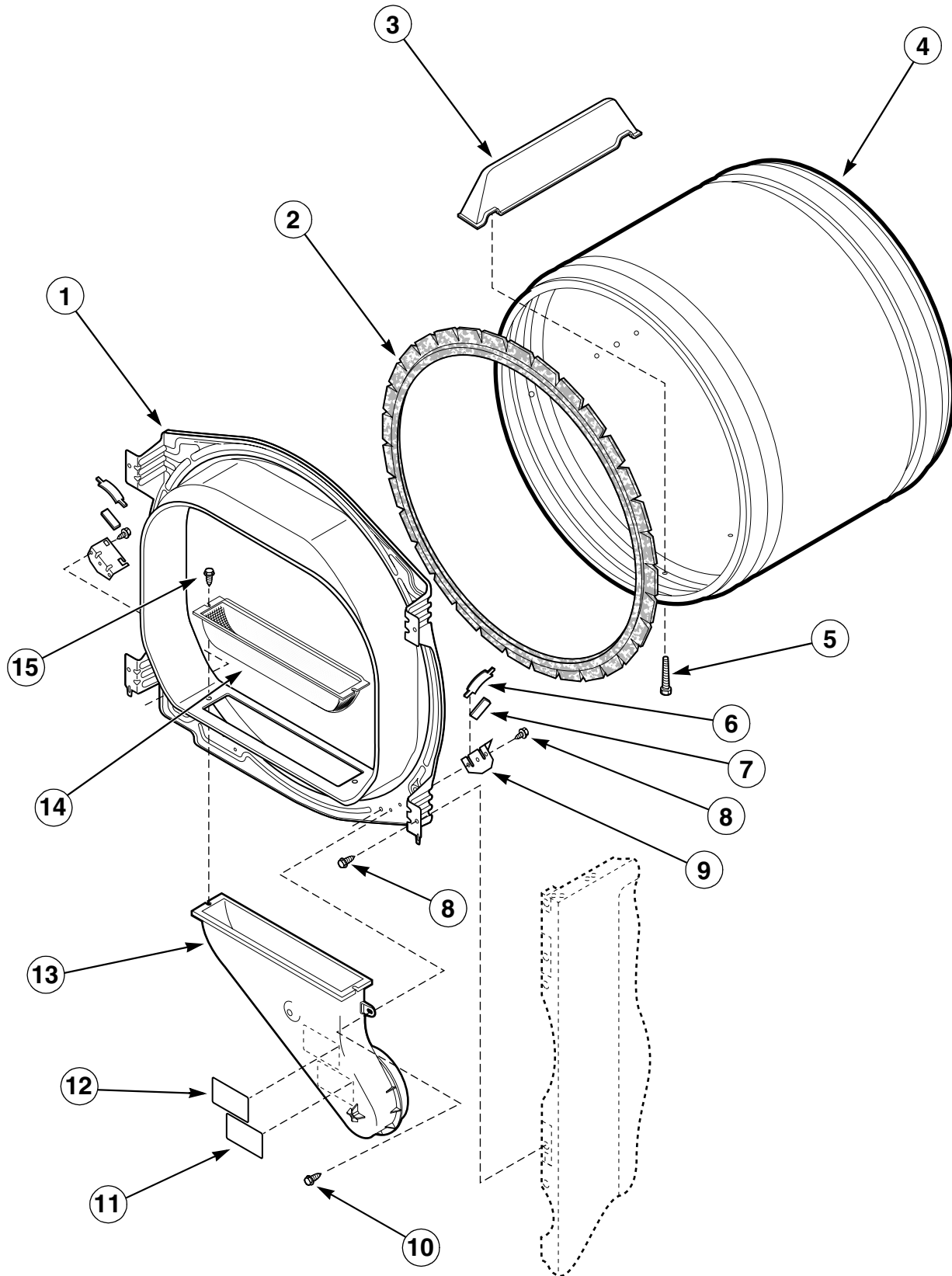


D150P

Motor, Exhaust Fan and Belt

REF	PART NO.	DESCRIPTION	COMMENTS
1	56000	Exhaust Fan Impeller	
2	56020	Exhaust Fan Housing	
3	501218	Motor Switch	
4	501211	Motor Assembly	120 Volt, 50 Hertz
	501212	Motor Assembly	Export Models, 240 Volt, 50 Hertz
	501213	Motor Assembly	Export Models, 220 Volt, 60 Hertz
5	58047	Motor Clips	
6	59174	Belt	
7	500011	Motor Pulley	
8	58044A	Motor Locking Mount	
9	20530	Screw	
10	33562	Screw	
11	31645	Screw	
12	56076	Spring	
13	56156	Locknut	
14	500910	Idler Lever	
15	56461	Shaft	
16	52549	Washer	
17	54414	Idler Pulley	
18	23748	Retainer Ring	
19	500824	Shoulder Bolt	
20	500269	Idler Pulley and Lever Assembly	
21	52566	Locknut	
22	500822	Motor Mounting Bracket	
23	61623	Thermostat Heater	
24	61625	Thermostat	
25	501086	Screw	
26	500313	Seal	
27	31260	Screw	
28	500078	Exhaust Fan Cover	

Front Bulkhead, Air Duct, Felt Seal and Cylinder

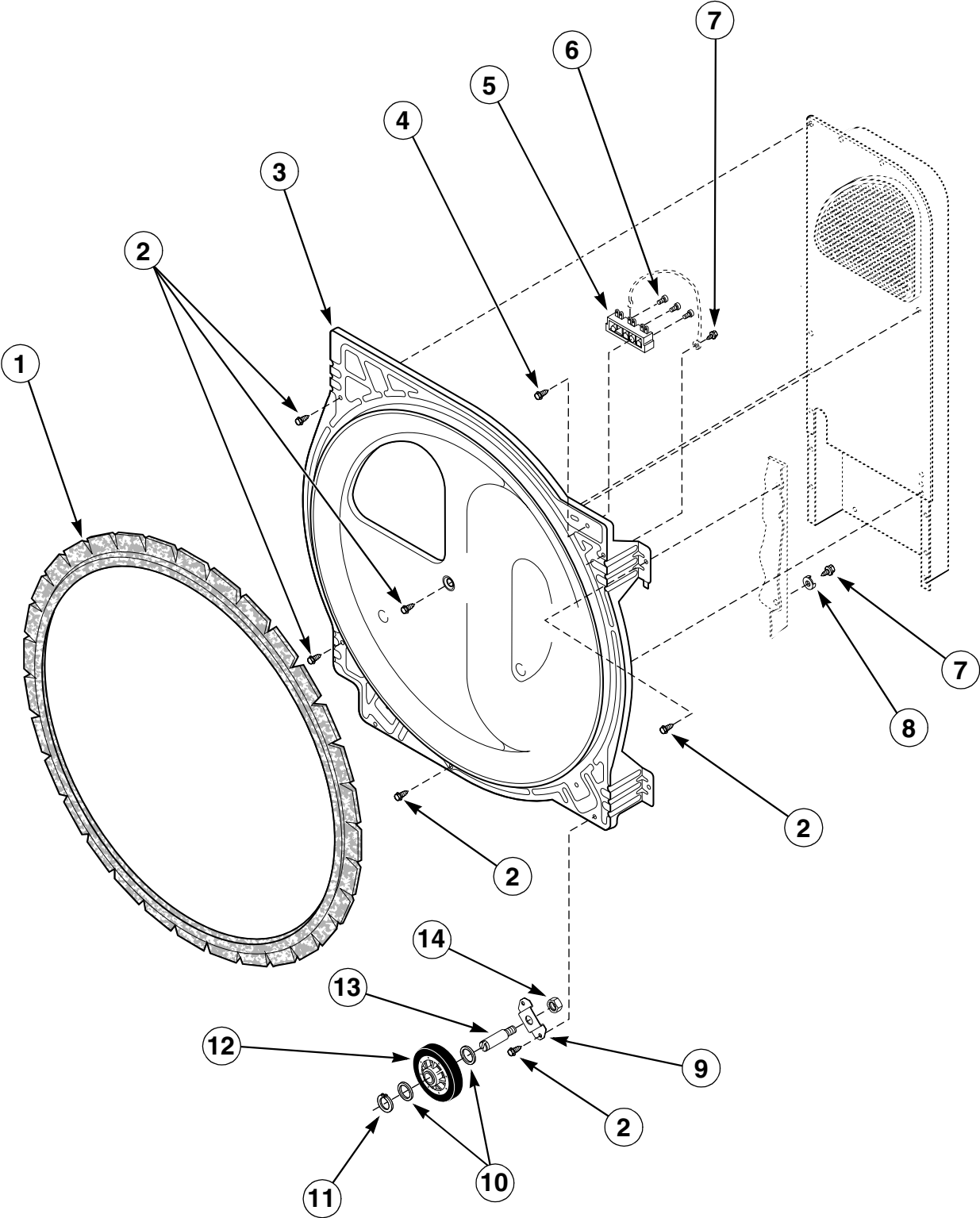


D133P

Front Bulkhead, Air Duct, Felt Seal and Cylinder

REF	PART NO.	DESCRIPTION	COMMENTS
1	500091	Front Bulkhead Assembly	Includes Cylinder Seal, Glide Brackets, Screws, Cylinder Glides and Felt Pads
2	500006	Cylinder Seal	
3	500022	Baffle	
4	500095P	Cylinder Assembly	Includes Baffles
5	62588	Screw	
6	500019	Cylinder Glide	Two required per side
7	500121	Felt Pad	
8	500298	Screw	
9	500065	Glide Bracket	
10	31645	Screw	
11	56249	Sticker	
12	500049	Sticker	
13	500241	Air Duct	
14	500025	Lint Filter	
15	500226	Screw	

Rear Bulkhead, Felt Seal, Cylinder Roller and Terminal Block



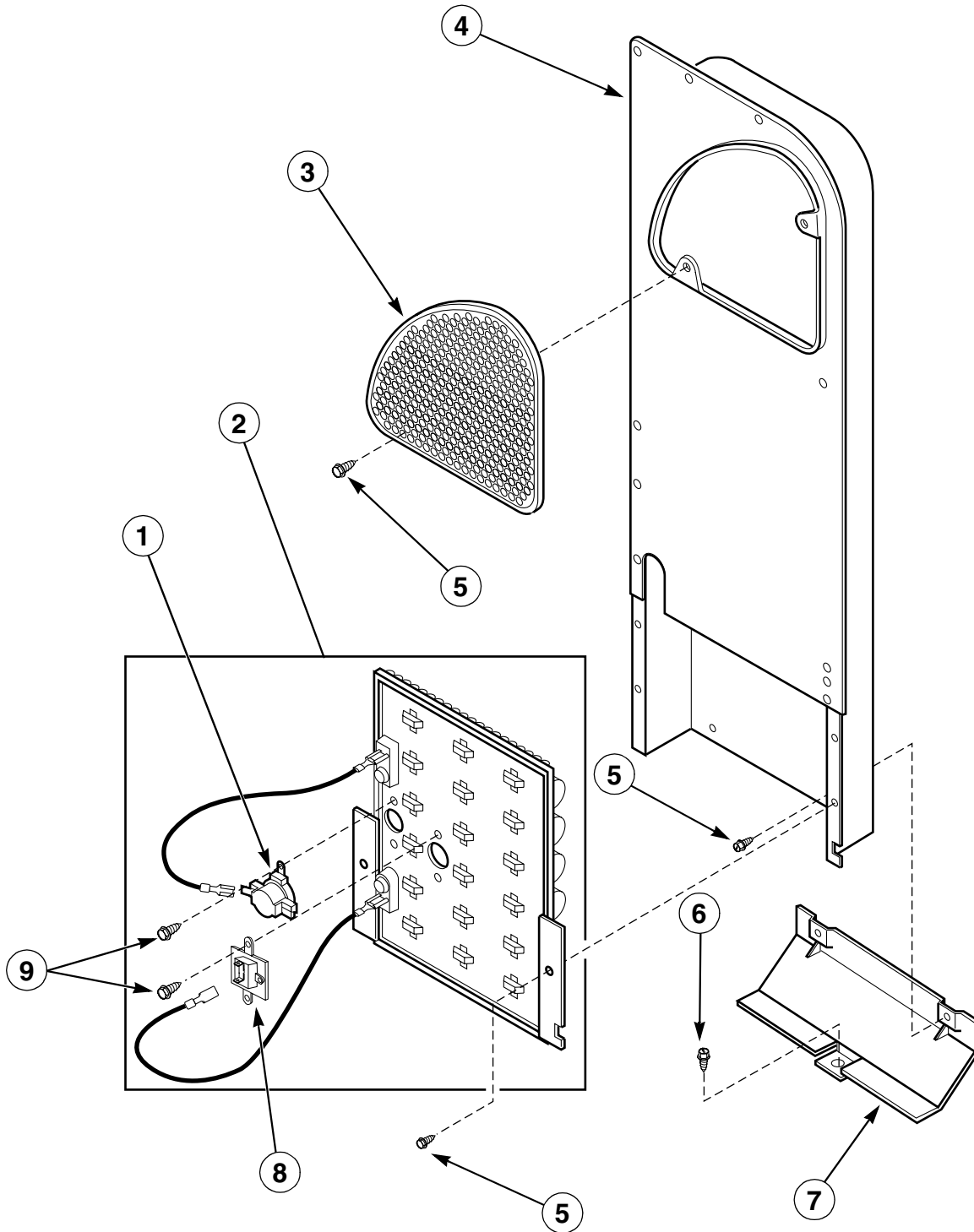
D134P

Rear Bulkhead, Felt Seal, Cylinder Roller and Terminal Block

REF	PART NO.	DESCRIPTION	COMMENTS
1	500006	Cylinder Seal	
2	500298	Screw	
3	500354	Rear Bulkhead Assembly	Includes Cylinder Seal
4	61200	Screw	
5	61923P	Terminal Block	Includes 61199 Screws
6	61199	Screw	
7	20530	Screw	
8	51474	Cupped Washer	
9	500062	Roller Bracket	
10	52549	Washer	
11	23748	Retainer Ring	
12	500214	Cylinder Roller	
13	56461	Shaft	
14	56156	Locknut	

Heat Duct

(Electric Models)



D135P

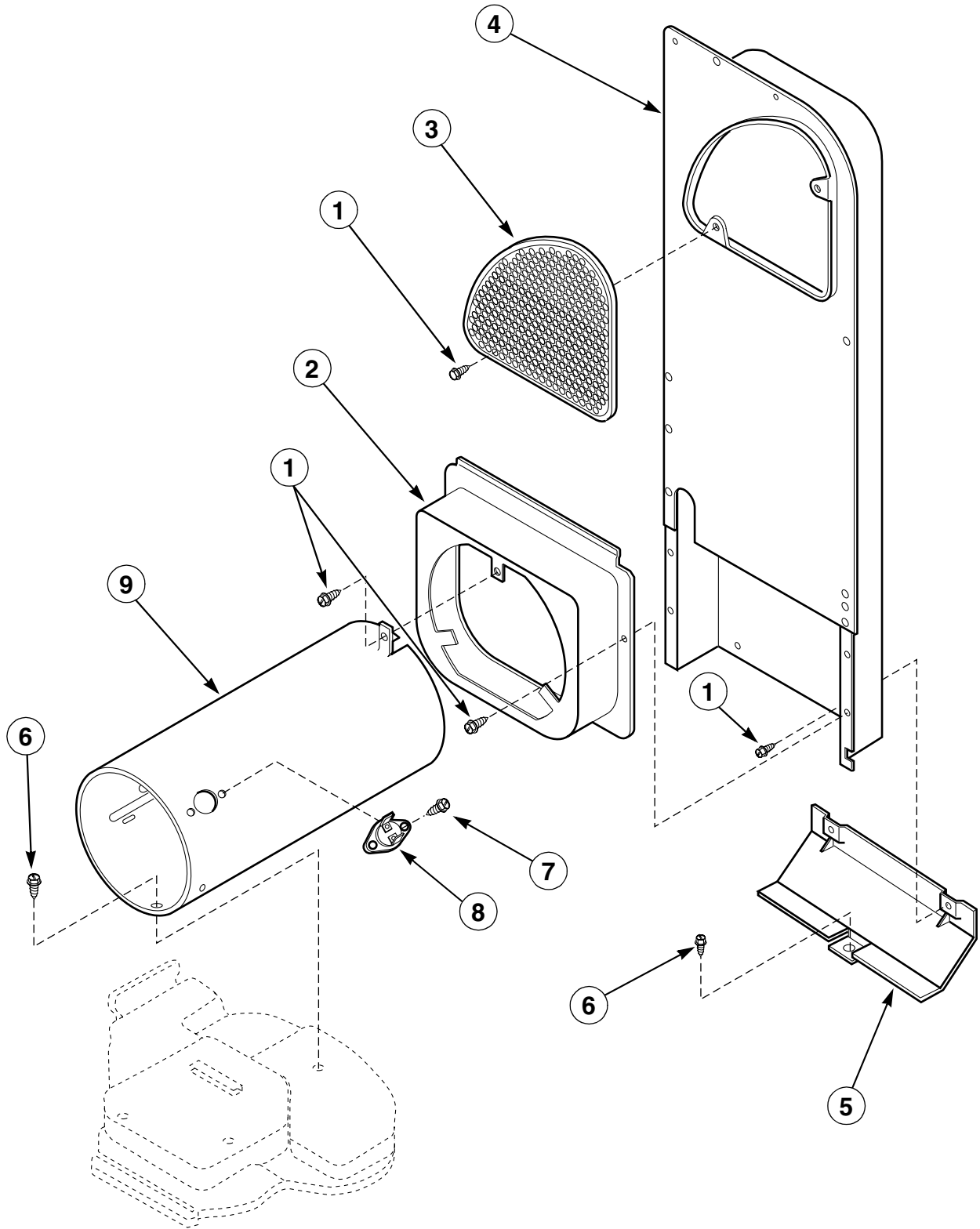
Heat Duct

(Electric Models)

REF	PART NO.	DESCRIPTION	COMMENTS
1	62641	Limit Thermostat	
2	61928	Heater Assembly	208 Volts, 4750 Watts, color coded White
	61927	Heater Assembly	240 Volts, 5000 Watts, color coded Red
3	500820	Outlet Cover	
4	500179	Heat Duct	Includes 500820 Outlet Cover and 500298 Screws
5	500298	Screw	
6	33562	Screw	
7	60952	Heat Shield	
8	490P3	Thermal Fuse Kit	Includes 62641 Limit Thermostat
9	23222	Screw	

Heat Duct

(Gas Models)



D136P

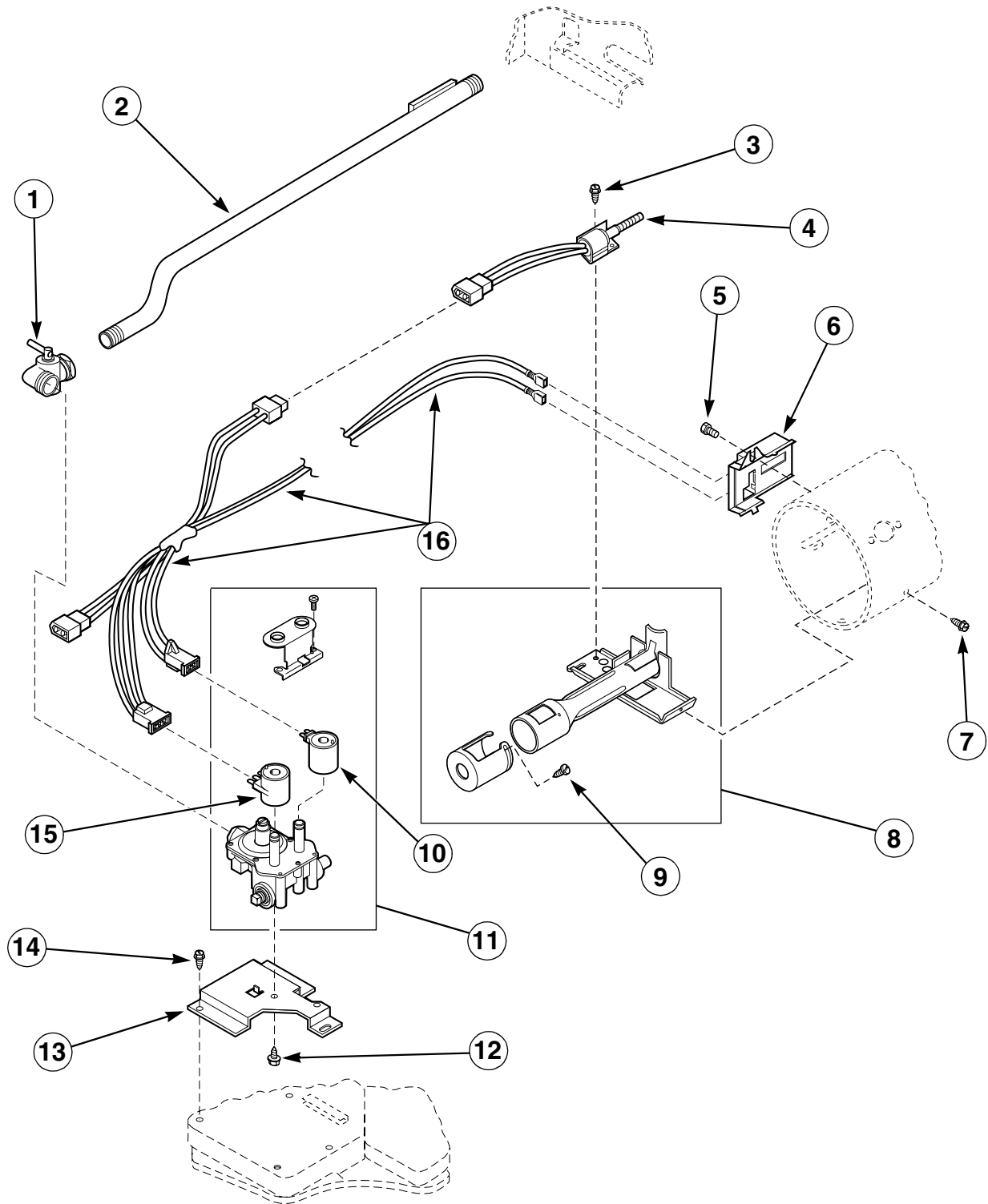
Heat Duct

(Gas Models)

REF	PART NO.	DESCRIPTION	COMMENTS
1	500298	Screw	
2	500122	Heat Shroud	
3	500820	Outlet Cover	
4	500179	Heat Duct	Includes 500820 Outlet Cover and 500298 Screws
5	60952	Heat Shield	
6	33562	Screw	
7	51782	Screw	
8	489P3	Limit Thermostat Kit	
9	61974	Burner Housing	Includes 489P3 Limit Thermostat Kit and 51782 Screws

Gas Valve, Igniter and Gas Conversion Kits

(Gas Models)



D137P

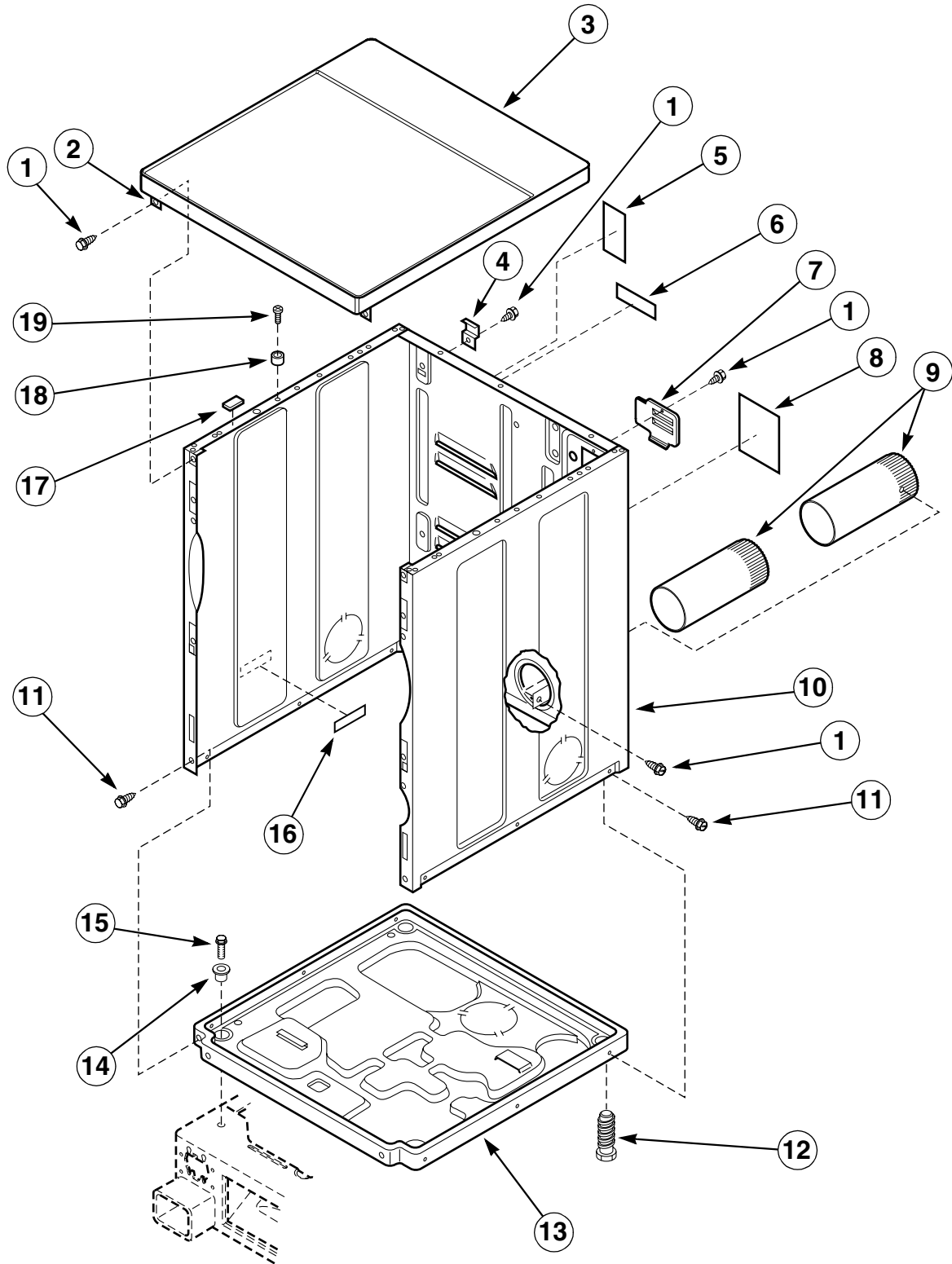
Gas Valve, Igniter and Gas Conversion Kits

(Gas Models)

REF	PART NO.	DESCRIPTION	COMMENTS
	458P3	Gas Burner Conversion Kit	Used to convert dryers from Natural/Mixed to L.P. (Liquified Petroleum) Gas
	459P3	Gas Burner Conversion Kit	Used to convert dryers from L.P. to Natural/Mixed Gas
1	56229	Valve	
2	500647	Lead-in Pipe Assembly	
3	51782	Screw	
4	60868	Igniter and Bracket	
5	23222	Screw	
6	56231	Sensor	
7	500298	Screw	
8	56234	Burner Tube Assembly	
9	51356	Screw	
10	58804B	Secondary Coil	
11	60353	Gas Valve Assembly	Natural/Mixed Gas
12	56124	Screw	
13	500821	Mounting Bracket	
14	33562	Screw	
15	58804A	Holding and Booster Coil	
16	60641	Wire Harness	

Cabinet Top, Cabinet and Base

(Upper Dryer)



D151P

Cabinet Top, Cabinet and Base

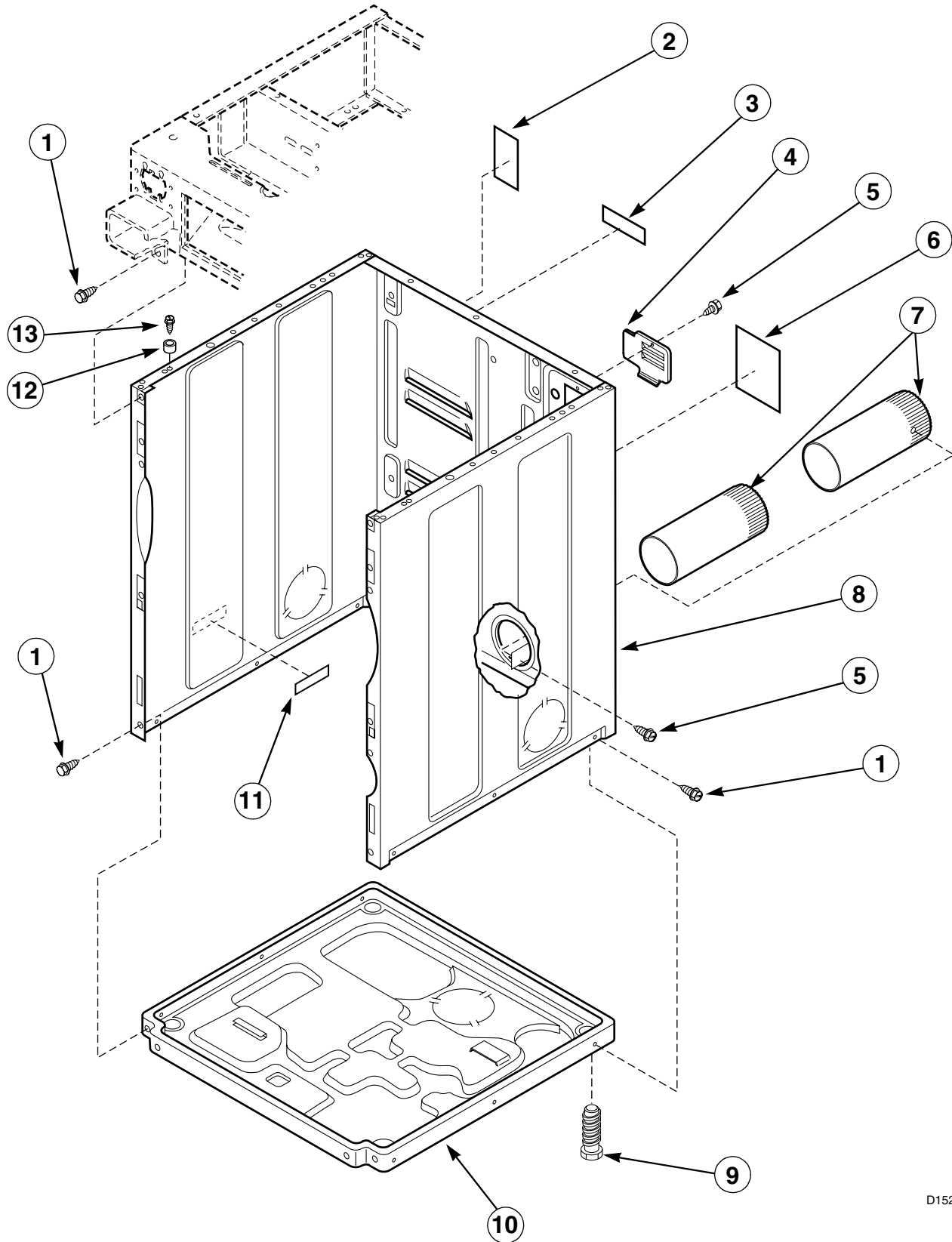
(Upper Dryer)

REF	PART NO.	DESCRIPTION	COMMENTS
1	500298	Screw	
2	500084	Bracket	
3	500215*	Cabinet Top	
4	500003	Hinge	
5	500670	Sticker	Gas Models
6	56186	Sticker	
7	500114	Access Plate	
8	501289	Sticker	Electric Models
9	500064	Exhaust Duct	
10	500001*P	Cabinet	
11	33562	Screw	
12	500101	Leveling Leg	Rear only
13	500070	Base	
14	501307	Washer	
15	21933	Screw and Lockwasher	
16	61294	Sticker	Electric Models
17	56128	Bumper	
18	56079	Locator	
19	32671	Screw	

* Add letter to designate color: L - Almond W - White

Cabinet and Base

(Lower Dryer)



D152P

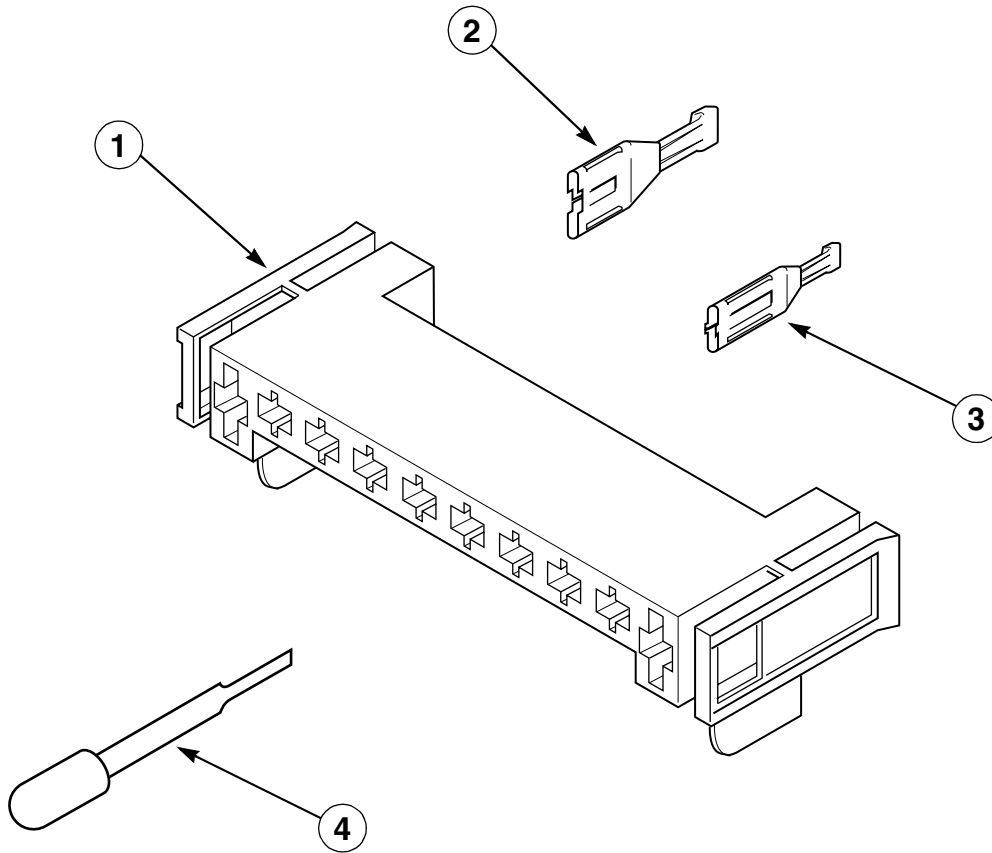
Cabinet and Base

(Lower Dryer)

REF	PART NO.	DESCRIPTION	COMMENTS
1	33562	Screw	
2	500670	Sticker	Gas Models
3	56186	Sticker	
4	500114	Access Plate	
5	500298	Screw	
6	501286	Sticker	Electric Models
7	500064	Exhaust Duct	
8	500001*P	Cabinet	
9	500101	Leveling Leg	
10	500070	Base	
11	61294	Sticker	Electric Models
12	56079	Locator	
13	32671	Screw	

* Add letter to designate color: L - Almond W - White

Motor Disconnect Block, Terminals and Terminal Extractor Tool

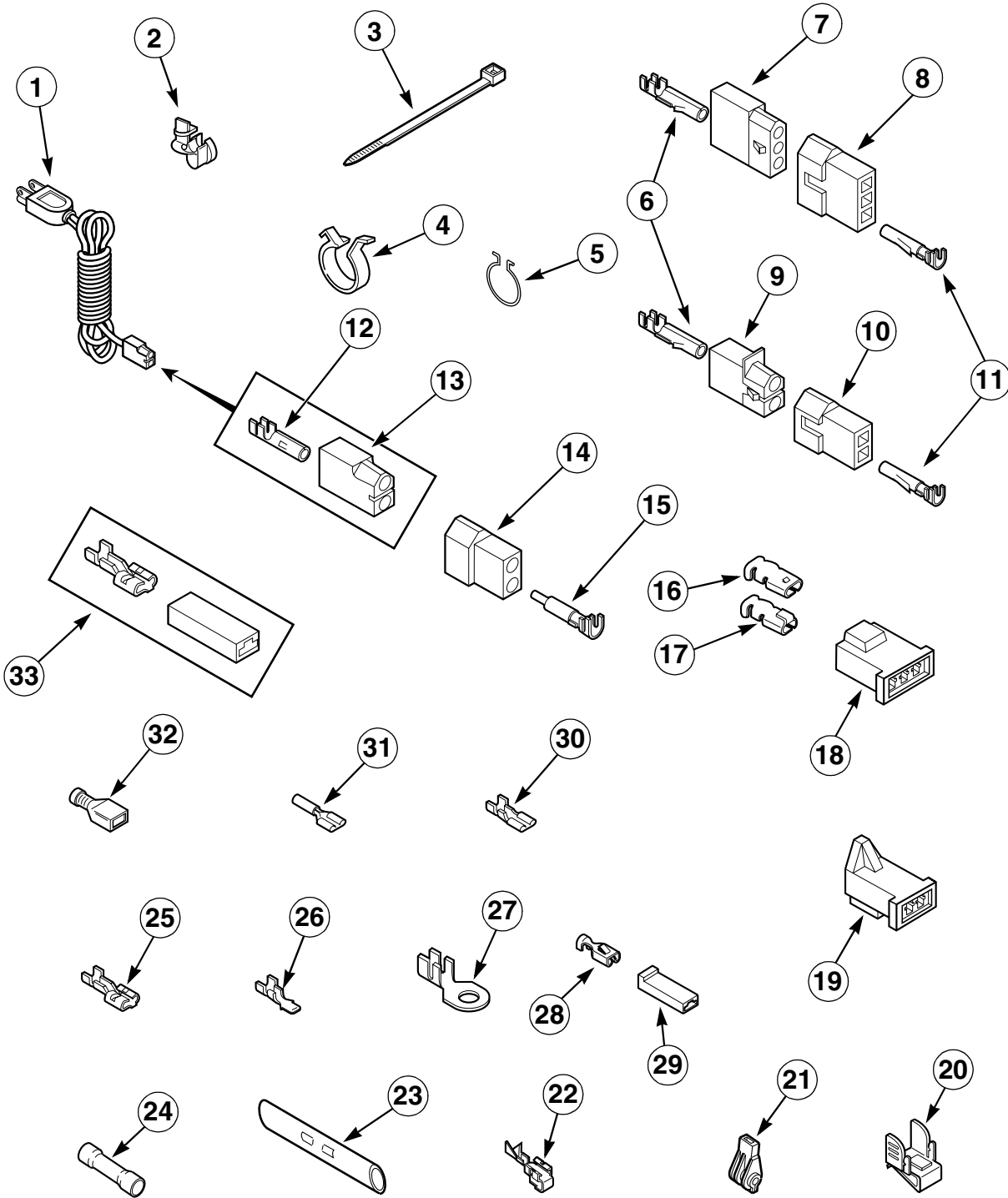


D153P

Motor Disconnect Block, Terminals and Terminal Extractor Tool

REF	PART NO.	DESCRIPTION	COMMENTS
1	500338	Molex Housing	
2	00255	Spade Terminal	1/4 Inch – one 12 Gauge Wire
	00256	Spade Terminal	1/4 Inch – one or two 18 Gauge Wires
3	00188	Molex Terminal	One or two Wire application
4	283P4	Terminal Extractor Tool	

Power Cord and Terminals



D139P

Power Cord and Terminals

REF	PART NO.	DESCRIPTION	COMMENTS
1	59308	Power Cord	Gas Models only
2	21903	Strain Relief	
3	55881	Wire Tie	
4	61510	Wire Clip	
5	51291	Wire Clip	
6	00117	Terminal	
7	23039	Terminal Block Receptacle	
8	23040	Terminal Block Plug	
9	56451	Terminal Block Receptacle	
10	56448	Terminal Block Plug	
11	00116	Terminal	
12	00130	Terminal	
13	56265	Terminal Block Receptacle	
14	56266	Terminal Block Plug	
15	00127	Terminal	
16	00189	Terminal	
17	00190	Terminal	Piggy Back
18	58800	Terminal Block	
19	58799	Terminal Block	
20	00161	Ground Clip	
21	70210	Plastic Insulator	
22	00114	Double Connector Terminal	
23	21091	Connector	
24	30865	Butt Splice Connector	
25	00245	Spade Terminal	1/4 Inch – one 22 Gauge Wire
	00119	Spade Terminal	1/4 Inch – one 18 Gauge Wire
	00121	Spade Terminal	1/4 Inch – two 18 Gauge Wires or one 12 Gauge Wire
26	00138	Male Terminal	1/4 Inch – one 18 Gauge Wire
	00139	Male Terminal	1/4 Inch – two 18 Gauge Wires or one 12 Gauge Wire
27	00110	Eyelet Terminal	One 18 Gauge Wire
	00111	Eyelet Terminal	Two 18 Gauge Wires or one 12 Gauge Wire
28	00115	Lock In Spade Terminal	One 18 Gauge Wire
	00122	Lock In Spade Terminal	Two 18 Gauge Wires or one 12 Gauge Wire
29	90789	Connector	
30	00124	Spade Terminal	3/16 Inch – one 18 Gauge Wire (.020 Tab)
	00209	Spade Terminal	3/16 Inch – two 18 Gauge Wires (.020 Tab)
	00156	Spade Terminal	3/16 Inch – Thermostat Wire (.032 Tab)
31	00214	Barrel Insulated Spade Terminal	18 Gauge
	00215	Barrel Insulated Spade Terminal	12 Gauge
32	00165	Insulated Spade Terminal	3/16 Inch
	00163	Insulated Spade Terminal	1/4 Inch
33	00237	Insulated Spade Terminal	1/4 Inch – one 12 Gauge Wire or two 18 Gauge Wires

Wire Harnesses and Wires

Individual wires are not available separately. Order complete wire harness, or order wire by the foot. See chart at bottom of page.

MODEL NUMBER	UPPER WIRE HARNESS	LOWER WIRE HARNESS	CONTROL CABINET WIRE HARNESS	AUDIT WIRE HARNESS
EE5007	500866	500953	500954	–
EG5009	501219	500962	500963	–
EE5107	500866	500865	500867	–
EG5109	500827	500828	500961	–
EE5117	500866	500865	500867	–
EG5119	500971	500828	500961	–
EE5507	500866	500865	500867	–
EG5509	500827	500828	500961	–
EE5607	500866	500865	500867	501311 501313
EG5609	500827	500972	500973	501311 501313

Order the individual wire color and gauge by the part number listed below. Order wire by the foot and terminals and connectors as required. It is recommended when applying terminals to wires that the terminals be soldered to the wires.

IMPORTANT: Always replace wires with proper gauge.

PART NUMBER	WIRE GAUGE	WIRE COLOR
45001	18 Gauge Wire	Black
45250	14 Gauge Wire	White
45380	12 Gauge Wire	Orange

Parts Index

A

Access Plate	
500114	41, 43
Accumulator	
59228	17
61309	19
Accumulator Bracket	
60835	9, 13
Air Duct	
500241	31

B

Baffle	
500022	31
Barrel Insulated Spade Terminal	
00214	47
00215	47
Base	
500070	41, 43
Belt	
59174	29
Bolt	
29651	11, 15
Bracket	
500084	41
Bumper	
56128	41
Burner Housing	
61974	37
Burner Tube Assembly	
56234	39
Butt Splice Connector	
30865	47

C

Cabinet	
500001P	41, 43
Cabinet Top	
500215	41
Caged Nut	
80077	7, 11, 15, 25
Cam	
27261	5, 9, 13
Coin Funnel Kit	
523P3	11, 15
Coin Slide Guard	
58181	9, 13
Complete Loading Door Assembly	
500035	21
500409	23
Connector	
21091	47
90789	47

Control Cabinet Front	
500225	7
500847	15
Control Cabinet Wrapper	
500220	7, 11, 15
Control Knob Assembly	
35182	5, 9, 13
Control Panel Cabinet Front	
500847	11
Control Panel Frame	
500228	5, 9
500848	13
Control Panel Overlay	
500259	13
500260	5, 9
Counter Kit	
62113P	9
Cupped Washer	
51474	33
Cylinder Assembly	
500095P	31
Cylinder Glide	
500019	31
Cylinder Roller	
500214	33
Cylinder Seal	
500006	31, 33

D

Door Hinge	
500041	21, 23
Door Hinge Mounting Bracket	
500236	23
Door Hinge Mounting Clip	
500236	21
Door Pull	
500042	21, 23
Door Seal	
500200	21, 23
Door Striker	
500039	21, 23
Door Striker Bracket	
500223	21, 23
Door Switch	
56052	25, 27
Double Connector Terminal	
00114	47

E

Exhaust Duct	
500064	41, 43
Exhaust Fan Cover	
500078	29
Exhaust Fan Housing	
56020	29
Exhaust Fan Impeller	
56000	29

Eyelet Terminal	
00110	47
00111	47

F

Felt Pad	
500121	31
Front Bulkhead Assembly	
500091	31
Front Panel	
500033	25, 27
Front Panel Seal	
500034	25, 27

G

Gas Burner Conversion Kit	
458P3	39
459P3	39
Gas Valve Assembly	
60353	39
Glide Bracket	
500065	31
Ground Clip	
00161	5, 9, 13, 47
Guide Lug	
56079	7, 11, 15, 25, 27

H

Heat Duct	
500179	35, 37
Heat Shield	
60952	35, 37
Heat Shroud	
500122	37
Heater Assembly	
61927	35
61928	35
Hinge	
500003	41
Hold-down Clip	
28835	27
Holding and Booster Coil	
58804A	39

I

Idler Lever	
500910	29
Idler Pulley	
54414	29
Idler Pulley and Lever Assembly	
500269	29
Igniter and Bracket	
60868	39
Index Spring	
53238	17, 19

Indicator Light	
32464	5, 9, 13
Inner Door Panel and Seal	
500199	21
500410	23
Instructions Sticker	
500390	27
Insulated Spade Terminal	
00163	47
00165	47
00237	47

J

Jumper Wire	
501313	15

K

Knurled Nut	
24205	5, 9, 13

L

Lead-in Pipe Assembly	
500647	39
Leveling Leg	
500101	41, 43
Limit Thermostat	
62641	35
Limit Thermostat Kit	
489P3	37
Lint Filter	
500025	31
Locator	
56079	41, 43
Lock Assembly	
27260	5, 9, 13
Lock In Spade Terminal	
00115	47
00122	47
Locknut	
52566	29
56156	29, 33
Lockwasher	
21734	13
25820	5, 9, 13
91176	5, 9, 13
Lower Access Panel	
500044	25, 27

M

Magnet	
34696	13
Male Terminal	
00138	47
00139	47
Molex Housing	
500338	45

Molex Terminal	
00188	45
Motor Assembly	
501211	29
501212	29
501213	29
Motor Clips	
58047	29
Motor Locking Mount	
58044A	29
Motor Mounting Bracket	
500822	29
Motor Pulley	
500011	29
Motor Switch	
501218	29
Mounting Bracket	
500821	39

N

Nut	
29796	11, 15
35322	13
52947	5, 9, 13
Nylon Bushing	
53262	17, 19

O

Outer Door Panel	
500040	21
500201	23
Outlet Cover	
500820	35, 37
Overlay	
500814	5

P

Pawl Spring	
53244	17, 19
Plastic Insulator	
70210	47
Power Cord	
59308	47
Printed Circuit Board	
34522	15
Push Nut	
58030	23
Push-on Clip	
34762	13
Push-to-Start Switch Assembly	
55882	5, 9, 13

R

Ratchet Wheel	
53239	17, 19
Rear Bulkhead Assembly	
500354	33
Retainer Ring	
23748	29, 33
Return Spring	
53261	17, 19
Roller Bracket	
500062	33

S

Screw	
03203	9, 13
03950	9, 13
20530	5, 9, 13, 29, 33
23222	35, 39
27328	5
31260	15, 29
31645	29, 31
32671	7, 11, 15, 25, 27, 43
33562	7, 9, 11, 15, 25, 27, 29, 35, 37, 39, 41, 43
500226	21, 23, 31
500248	25
500297	21, 23
500298	7, 11, 15, 25, 27, 31, 33, 35, 37, 39, 41, 43
501086	29
51356	39
51782	37, 39
56124	39
61199	33
61200	33
62588	31
62853	25, 27
Screw and Lockwasher	
21933	7, 11, 15, 41
Seal	
500313	29
Secondary Coil	
58804B	39
Sensor	
56231	39
Sensor Control	
35026	15
Set Screw	
20310	5, 9, 13
25285	5
Shaft	
56461	29, 33
Shield	
501315	15
Shoulder Bolt	
500824	29
Slide Extension	
500218	9, 13
Slotted Hex Head Screw	
33562	13

Spade Terminal	
00119	47
00121	47
00124	47
00156	47
00209	47
00245	47
00255	45
00256	45
Spring	
56076	29
Sticker	
500049	31
500252	25, 27
500347	25, 27
500670	25, 27, 41, 43
501286	43
501289	41
56186	41, 43
56249	31
61294	41, 43
Strain Relief	
21903	47
52113	5, 9
52151	5, 9
Striker Catch	
500248	27
54660	25, 27
Support	
34896	15
500951	15
Switch	
34599	15
53236	17, 19
56052	13
61468	19

T

Temperature Selector Switch	
61512	5, 9, 13
Terminal	
00116	47
00117	47
00127	47
00130	47
00189	47
00190	47
Terminal Block	
58799	47
58800	47
61923P	33
Terminal Block Plug	
23040	47
56266	47
56448	47
Terminal Block Receptacle	
23039	47
56265	47
56451	47
Terminal Extractor Tool	
283P4	45
Thermal Fuse Kit	
490P3	35
Thermostat	
61625	29

Thermostat Heater	
61623	29
Time Knob Assembly	
54678	5
Timer	
500399	5
Timing Cam	
53240	17, 19
53241	17, 19
53242	17, 19
53243	17, 19
Timing Motor	
53235P	17, 19
Torx Bit	
282P4	25, 27
Torx Bit Holder	
24161	25, 27
Transmit Light	
34701	13
Transmit Switch	
34721	13

V

Valve	
56229	39

W

Washer	
35321	13
501307	7, 11, 15, 41
52549	29, 33
Window	
500231	23
Window Trim	
500202	23
Wire Clip	
51291	47
61510	47
Wire Harness	
501311	15
59296	13
60641	39
62672	9
Wire Tie	
55881	47