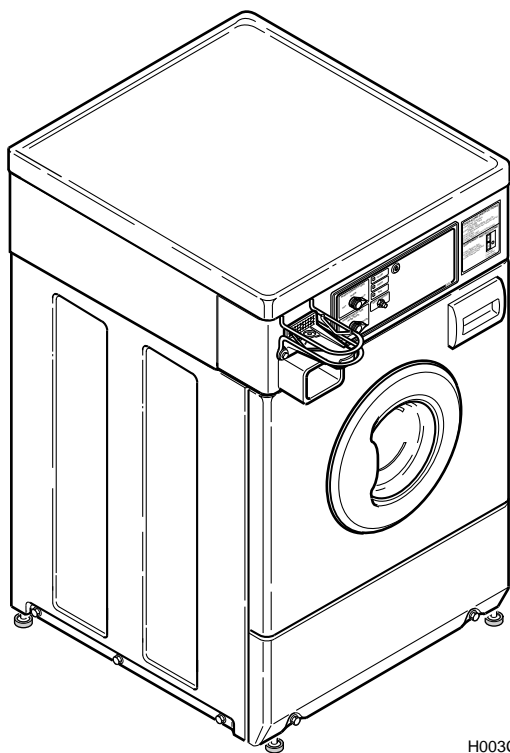


Commercial Front Control Washers

(See Page 3 for Model Numbers)



H003C



Table of Contents

Title	Page
Model Identification	2
Parts Ordering Information	2
Nameplate Location	2
Control Panel and Controls.....	4
Timer, Motor Control Board, Pressure Switch and Relays	6
Cabinet Top and Control Cabinet	8
Front Panel, Door Assembly and Door Seal	10
Dispenser Assembly	12
Inner Basket, Trunnion, Bearing Housing and Pulley	14
Outertub, Front and Clamp Ring.....	16
Inlet Hose, Mixing Valve and Dispenser Hose.....	18
Motor and Belt	20
Hoses and Pump	22
Cabinet and Base	24
Shipping Materials	26
Power Cord and Terminals	28
Terminals	30
Wire Harnesses and Wires	32
Parts Index.....	33

© Copyright 1998, Alliance Laundry Systems LLC

All rights reserved. No part of the contents of this book may be reproduced or transmitted in any form or by any means without the expressed written consent of the publisher.

Model Identification

Information in this manual is applicable to these washer models:

Model Number
HWF261*A1102
HWF261*C1102
SWF261*A

Parts Ordering Information

Alliance Laundry Systems is not responsible for personal injury or property damage resulting from improper service. Review all service information before beginning repairs.

If literature or replacement parts are required, contact the source from whom the machine was purchased or contact Alliance Laundry Systems at (920) 748-3950 for the name of the nearest authorized parts distributor.

For technical assistance, call any of the following numbers:

(850) 718-1035

(850) 718-1026

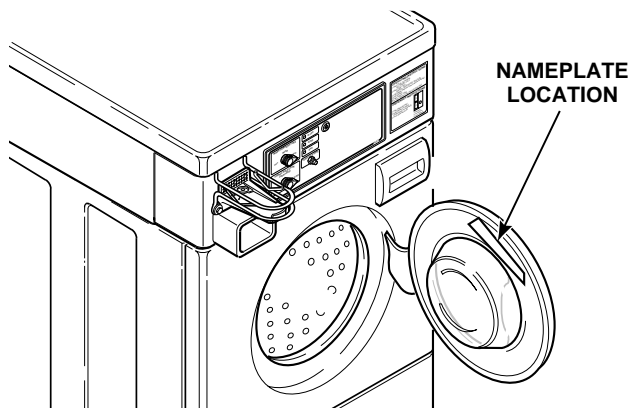
Marianna, Florida

(920) 748-3121

Ripon, Wisconsin

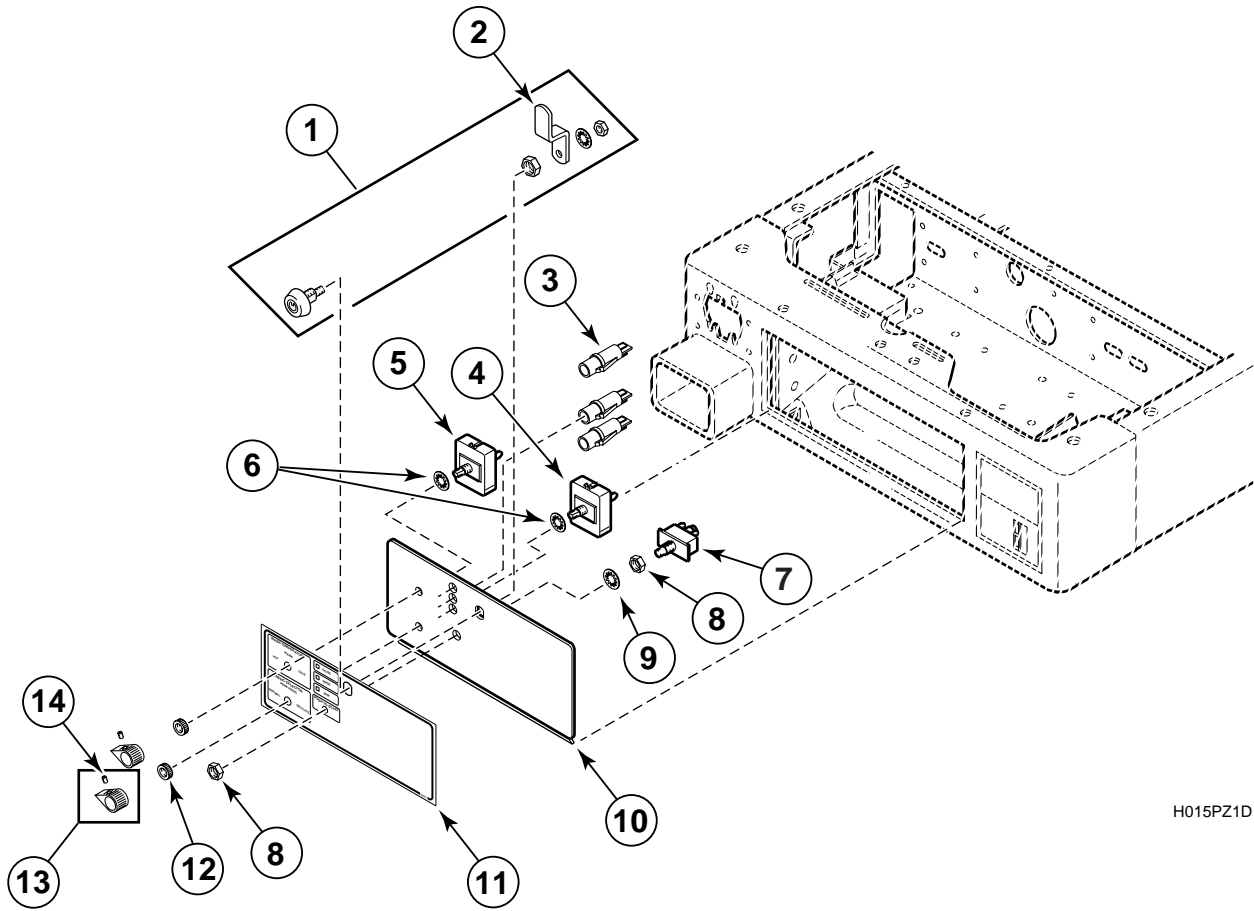
Nameplate Location

When calling or writing about your product, be sure to mention model and serial numbers. Model and serial numbers are located on nameplate(s) as shown.



H029PE1A

Control Panel and Controls



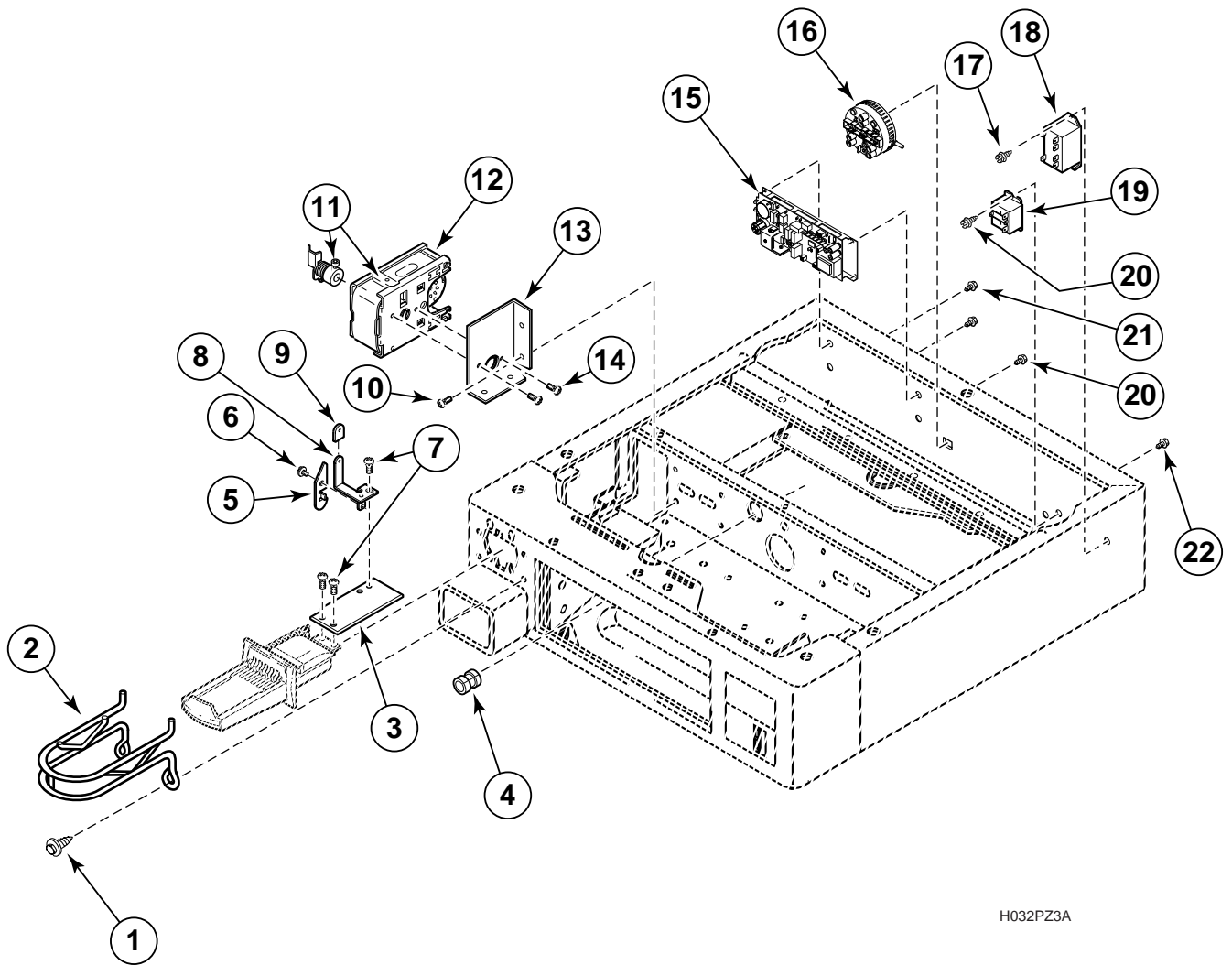
H015PZ1D

Control Panels and Controls

REF	PART #	DESCRIPTION	COMMENTS
1	27260	Lock Assembly	
2	27261	Cam	
3	32464	Indicator Light	
4	685596	Motor Speed Switch	
5	685595	Temperature Switch	
6	91176	Lockwasher	
7	55882	Push-to-Start Switch	
8	52947	Nut	
9	25820	Lockwasher	
10	504454*	Control Panel Assembly	
11	686514	Control Panel Overlay	Model SWF261*A
	686525	Control Panel Overlay	Models HWF261*A1102 and HWF261*C1102
12	24205	Knurled Nut	
13	35182	Control Knob Assembly	
14	20310	Setscrew	

* Add Letter To Designate Color. L – Almond W – White

Timer, Motor Control Board, Pressure Switch and Relays

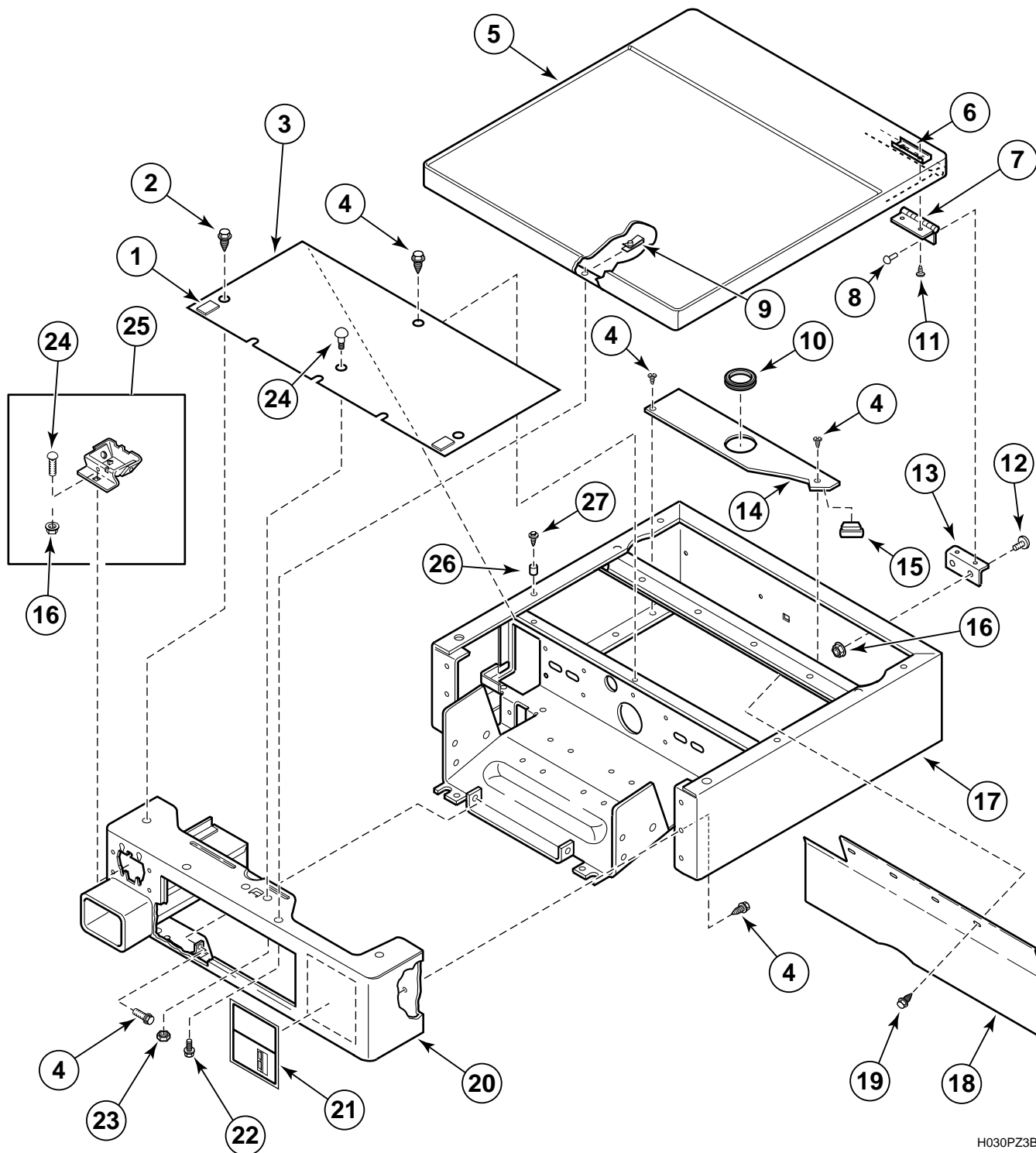


H032PZ3A

Timer, Motor Control Board, Pressure Switch and Relays

REF	PART #	DESCRIPTION	COMMENTS
1	33562	Screw	
2	58181	Coin Slide Guard	
3	685593	Coin Slide Extension	
4	52151	Strain Relief	
5	36164	Actuator	
6	36166	Shoulder Screw	
7	03950	Screw	
8	685592	Actuator Support	
9	36165	Plastic Boot	
10	503661	Screw	
11	29503	Clutch Assembly	
12	685585	Timer	
13	685365	Timer Bracket	
14	21720	Screw	
15	685503	Motor Control Board	
16	685520	Pressure Switch	
17	503688	Screw	
18	685597	Relay	
19	431349	Relay	
20	51782	Screw	
21	685837	Screw	
22	503688	Screw	

Cabinet Top and Control Cabinet



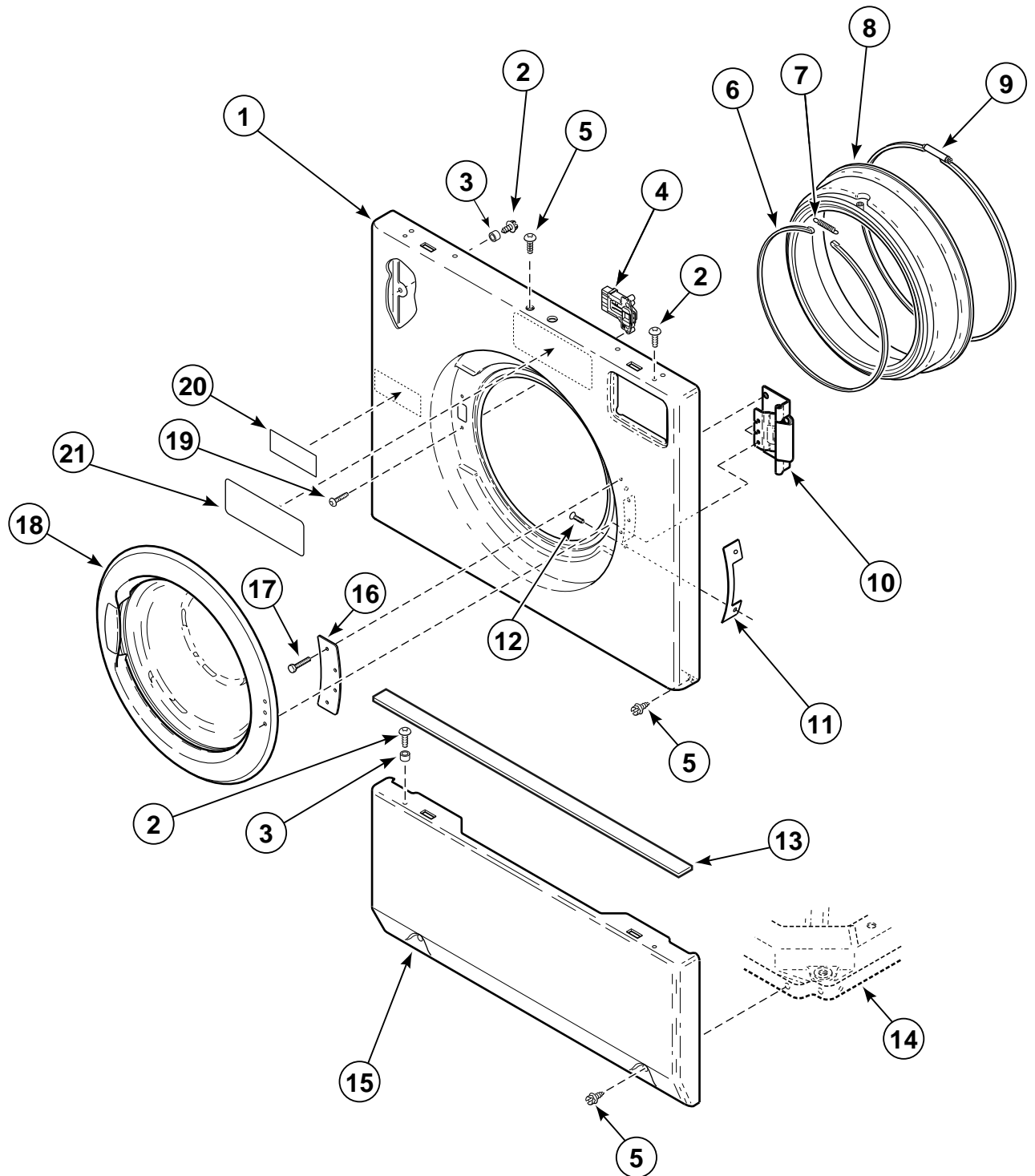
H030PZ3B

Cabinet Top and Control Cabinet

REF	PART #	DESCRIPTION	COMMENTS
1	56128	Bumper	
2	502431	Shoulder Screw	Models SWF261*A, HWF261*A1102 and HWF261*C1102
3	504229	Security Top Panel	
4	503688	Screw	
5	504216*	Cabinet Top	
6	500236	Hinge Clip	
7	503676	Hinge	
8	685847	Rivet	Model SWF261*A
9	36020	Speed Nut	
10	M402542	Snap Bushing	
11	500226	Screw	
12	29651	Bolt	
13	504228	Bracket	
14	685599	Control Shield	
15	36985	Hose Clip	
16	29796	Nut	
17	685042*	Control Cabinet Wrapper	
18	685370	Control Shield	
19	501086	Screw	
20	505337*	Front Security Cabinet Assembly	
21	685942	Instruction Label	
22	23008	Screw	
23	29796	Cage Nut	
24	29651	Bolt	
25	523P3	Coin Funnel Kit	
26	56079	Panel Locator	
27	32671	Screw	

* Add Letter To Designate Color. L – Almond W – White

Front Panel, Door Assembly and Door Seal



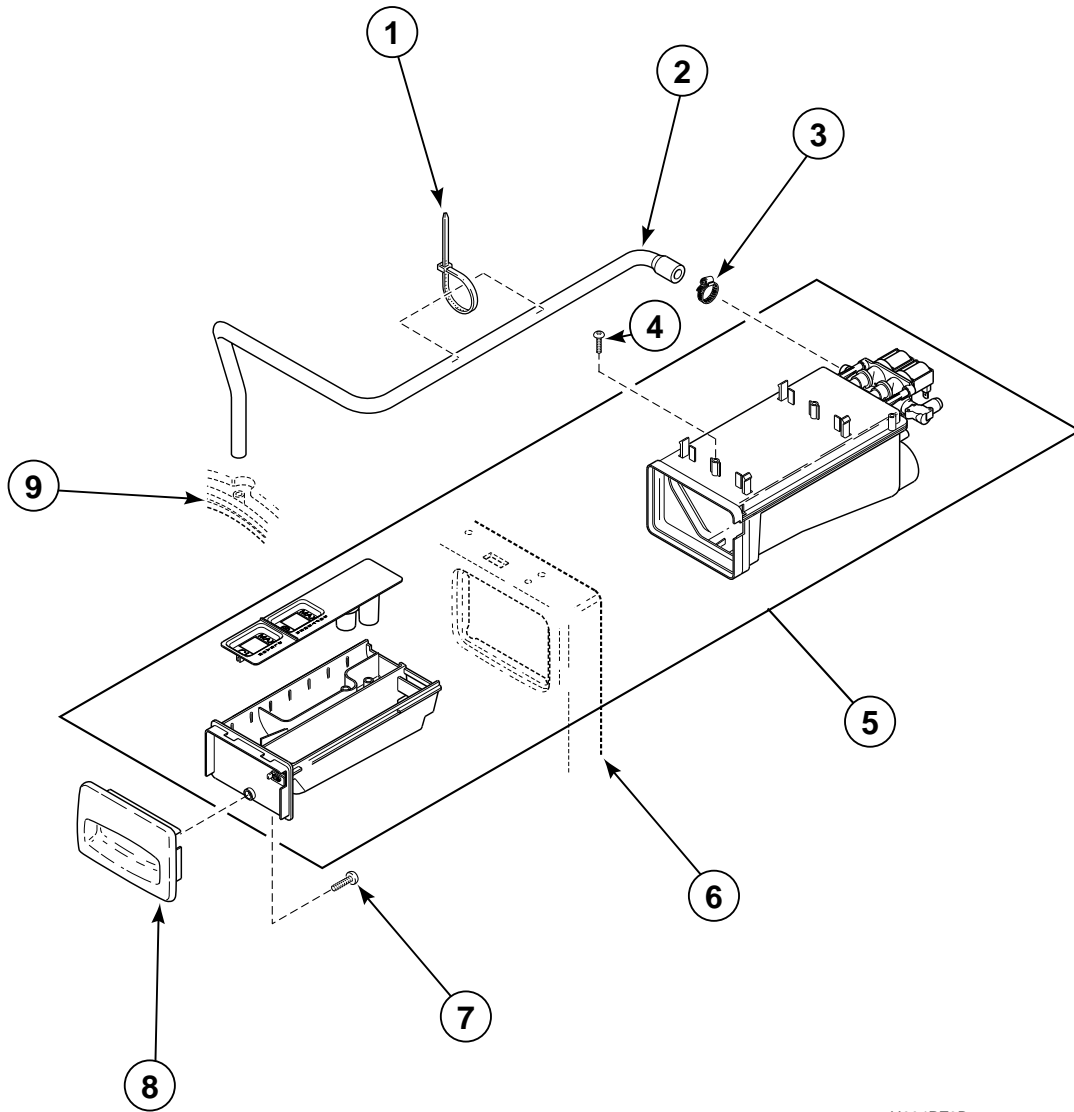
H003PZ3C

Front Panel, Door Assembly and Door Seal

REF	PART #	DESCRIPTION	COMMENTS
1	685323*	Front Panel	
2	32671	Screw	
3	56079	Panel Locator	
4	685407	Door Latch Switch	
5	503661	Screw	
6	685427	Wire Clamp Ring	
7	685428	Spring	
8	685426	Door Seal	
9	685743	Door Seal Clamp	
10	685025	Hinge Assembly	
11	685423	Hinge Bracket	
12	685843	Screw	
13	685366	Foam Tape	1 inch by 26 inch
14	685387	Base	
15	503796*	Lower Access Panel	
16	685421	Hinge Plate	
17	685857	Screw	
18	685081*	Door Assembly	
19	685829	Screw	
20	685947	Door Locked Label	
21	685923	Dispenser Label	

* Add Letter To Designate Color. L – Almond W – White

Dispenser Assembly



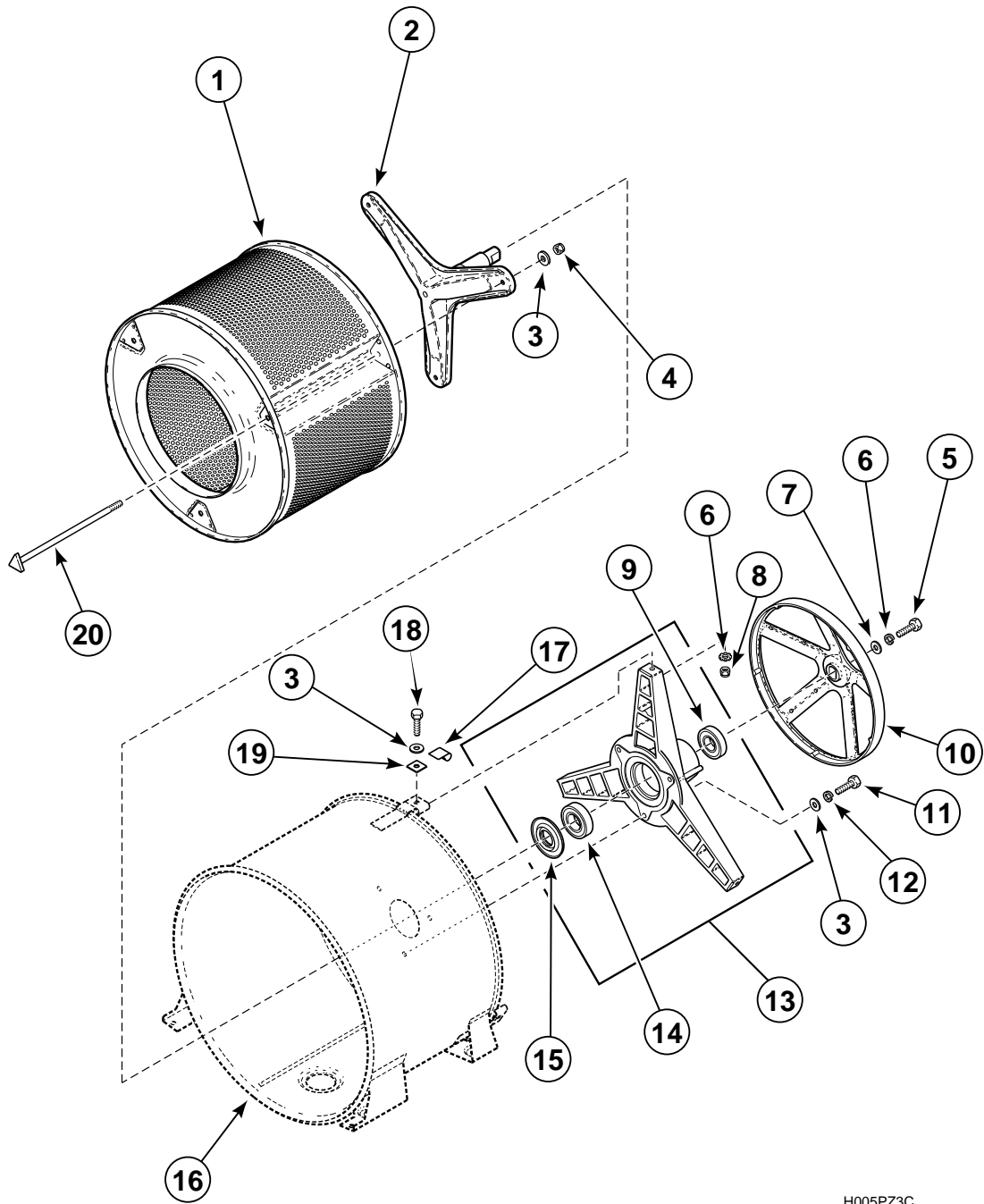
H004PZ3B

Dispenser Assembly

REF	PART #	DESCRIPTION	COMMENTS
1	55881	Wire Tie	
2	685717	Dispenser Valve-to-Door Seal Hose	
3	36801	Hose Clamp	
4	685830	Screw	
5	685756	Dispenser and Valve	
6	685323*	Front Panel	
7	685829	Screw	
8	685715	Dispenser Door Front	
9	685426	Door Seal	

* Add Letter To Designate Color. L – Almond W – White

Inner Basket, Trunnion, Bearing Housing and Pulley

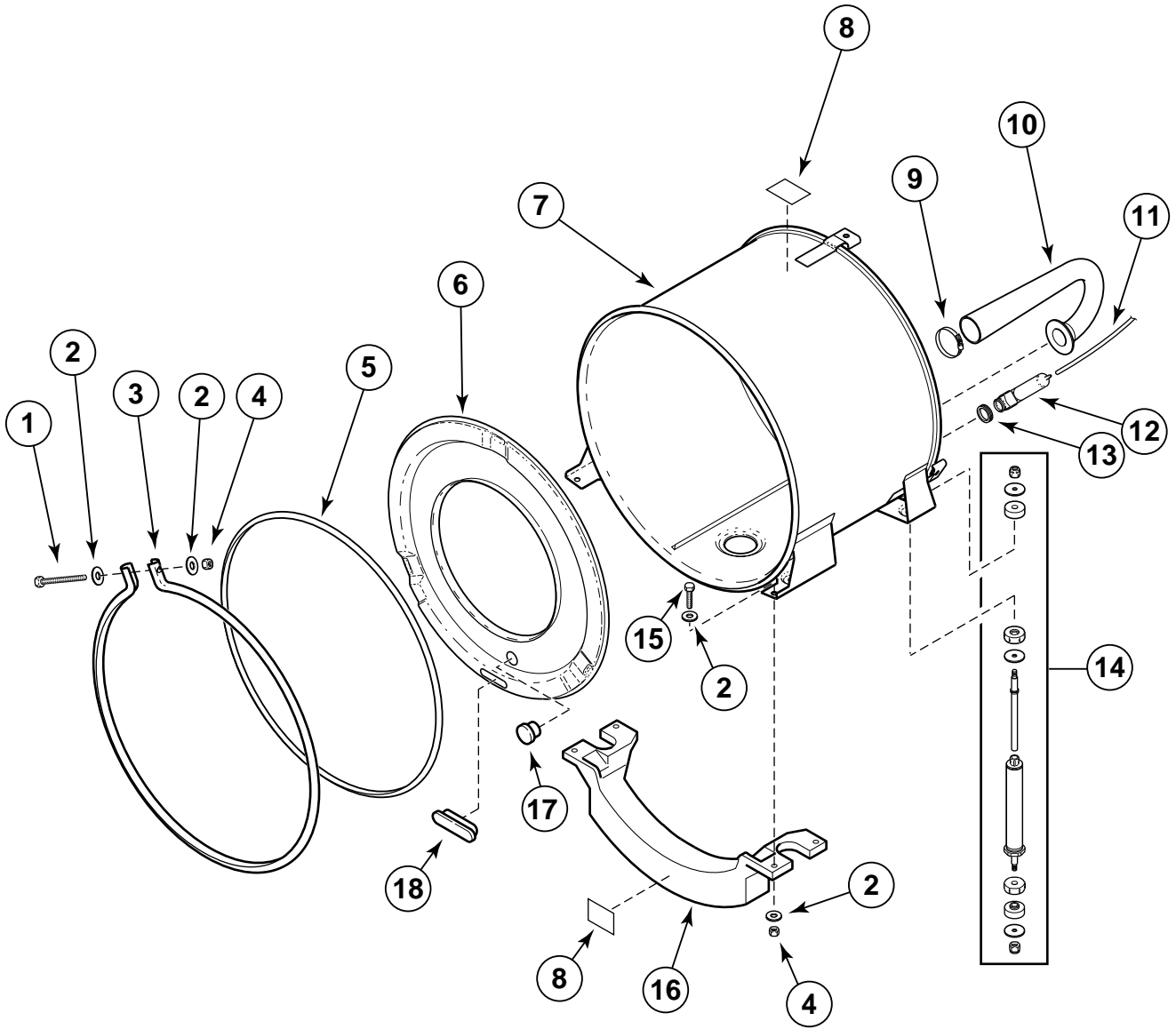


H005PZ3C

Inner Basket, Trunnion, Bearing Housing and Pulley

REF	PART #	DESCRIPTION	COMMENTS
1	685005	Inner Basket	
2	685212	Trunnion Assembly	
3	685812	Flat Washer	
4	685844	Locknut	
5	685831	Screw	Left Hand Thread
6	685850	Lockwasher	
7	685813	Flat Washer	
8	685845	Locknut	
9	685602	Bearing	Rear
10	685612	Pulley	
11	685809	Screw	
12	M400014	Lockwasher	
13	685001	Bearing Housing Assembly	
14	685601	Bearing	Front
15	685603	Radial Lip Seal	
16	685082	Outer Tub	
17	36985	Clip	
18	685848	Screw	
19	685139	Mounting Plate	
20	685216	Tension Rod	

Outertub, Front and Clamp Ring

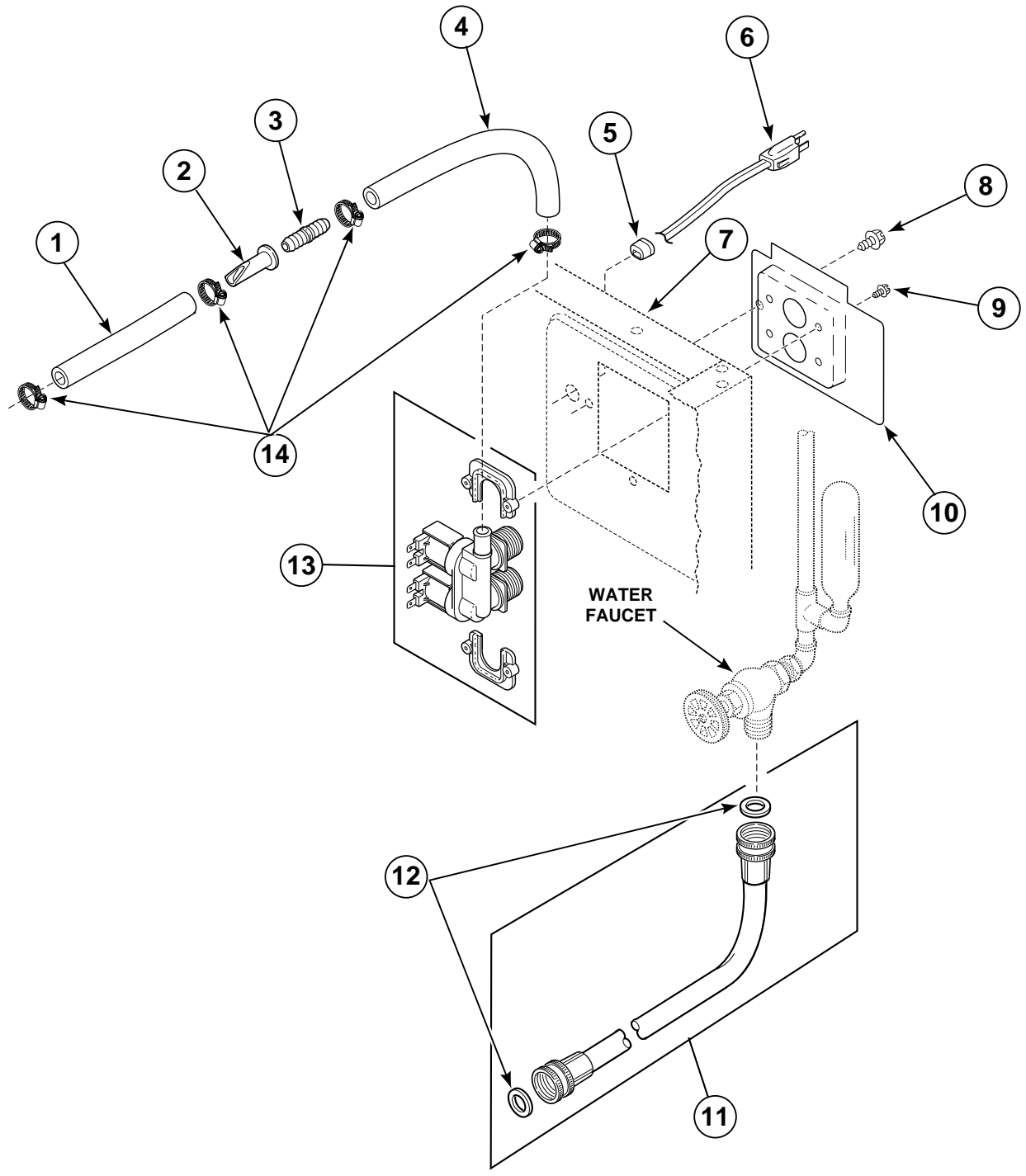


H026PZ3A

Outertub, Front and Clamp Ring

REF	PART #	DESCRIPTION	COMMENTS
1	685842	Screw	
2	685812	Flat Washer	
3	685120	Clamp Ring	
4	685845	Locknut	
5	685123	Seal	
6	685024	Outer Tub Front Assembly	
7	685082	Outer Tub	
8	500049	Warning Label	Model SWF261*A
8	500314	Warning Label	Models HWF261*A1102 and HWF261*C1102
9	685725	Hose Clamp	
10	685701	Detergent Hose	
11	685746	Pressure Hose	
12	30907	Pressure Bulb	
13	29175	Grommet	
14	685631	Shock Absorber Assembly	
15	685841	Screw	
16	685608	Ballast Weight	
17	685143	Thermostat Plug	
18	685142	Heating Element Plug	

Inlet Hose, Mixing Valve and Dispenser Hose



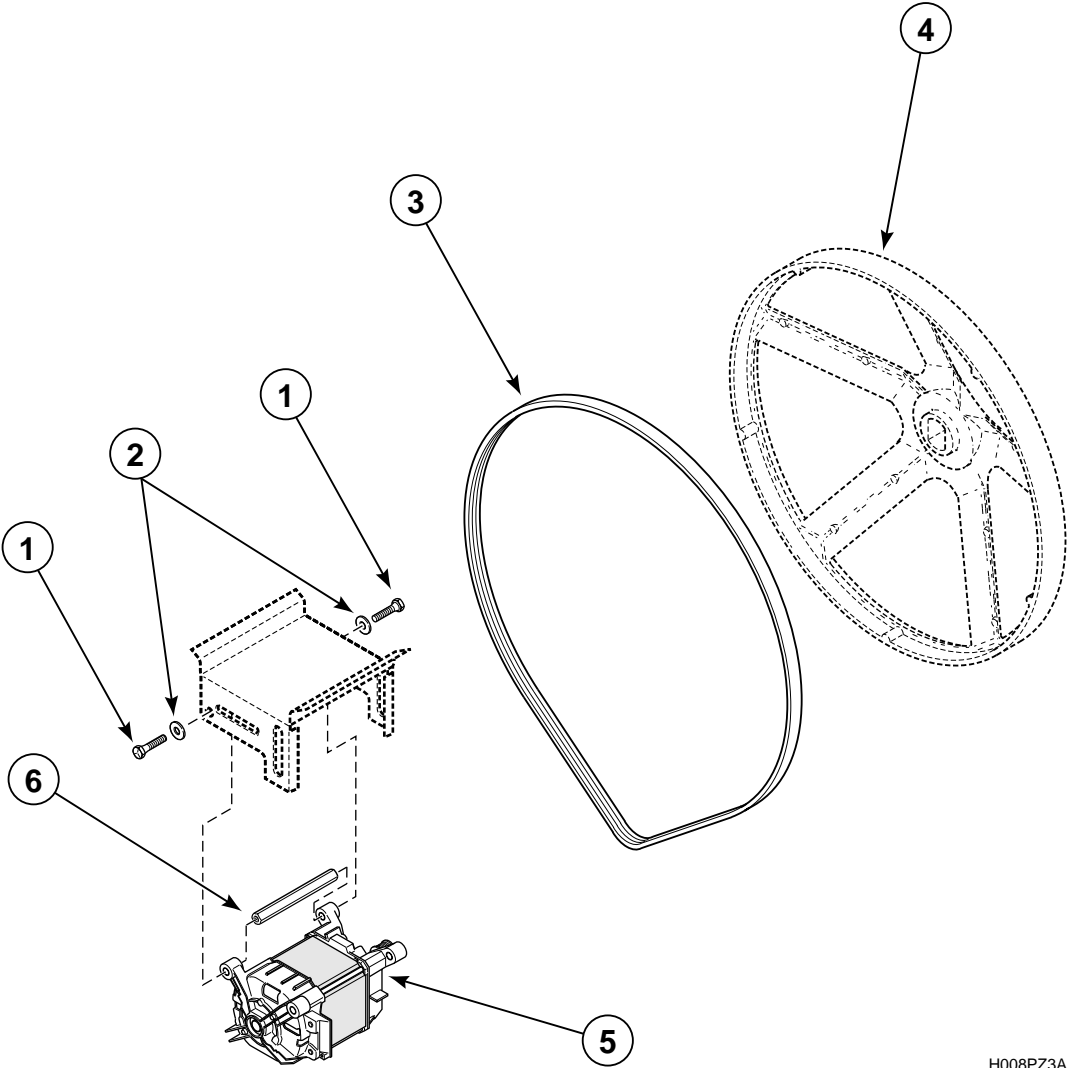
H033PZ3B

Inlet Hose, Mixing Valve and Dispenser Hose

REF	PART #	DESCRIPTION	COMMENTS
1	685734	Dispenser Inlet Hose	Front
2	34500	Backflow Preventer	
3	685735	Union	
4	685709	Dispenser Inlet Hose	Rear
5	21903	Strain Relief	
6	39406	Power Cord	
7	685300*	Cabinet	
8	503661	Screw	
9	501086	Screw	
10	685320	Mixing Valve Plate	
11	28330P	Inlet Hose Assembly	Includes Part No. 20290 Hose Washer
12	20290	Hose Washer	
13	685707	Mixing Valve	
14	36801	Hose Clamp	

* Add Letter To Designate Color. L – Almond W – White

Motor and Belt

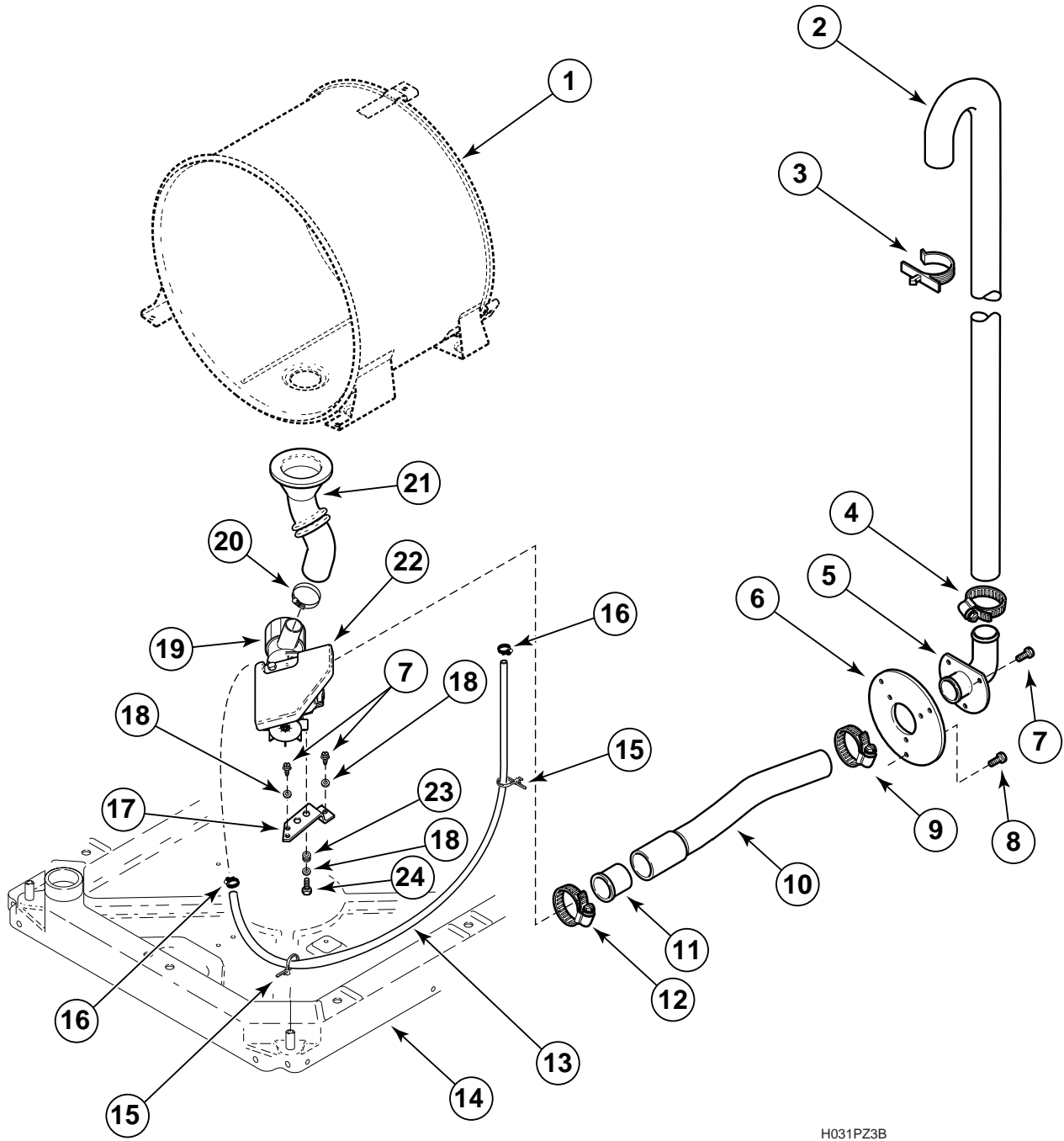


H008PZ3A

Motor and Belt

REF	PART #	DESCRIPTION	COMMENTS
1	685839	Screw	
2	685848	Flat Washer	
3	685616	Belt	
4	685612	Pulley	
5	685617	Motor	
6	685629	Motor Mount Rod	

Hoses and Pump

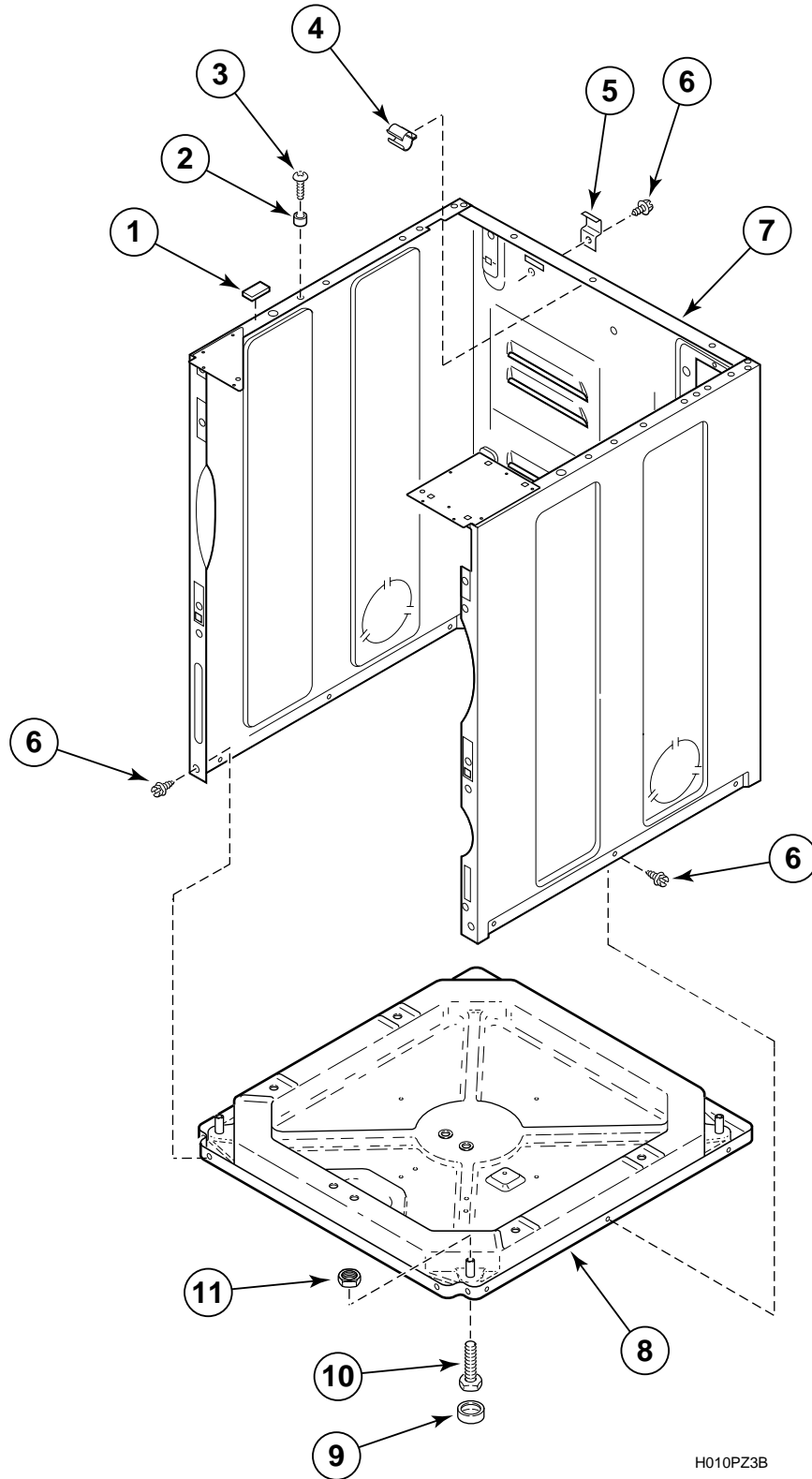


H031PZ3B

Hoses and Pump

REF	PART #	DESCRIPTION	COMMENTS
	33489	Beaded Strap	Use to secure drain hose to drain receptacle.
1	685082	Outer Tub	
2	28293	Drain Hose	
3	39177	Retainer Clip	
4	20211	Hose Clamp	
5	36990	Elbow	
6	685319	Mounting Plate	
7	52909	Screw	
8	503661	Screw	
9	20391	Hose Clamp	
10	685737	Pump-to-Elbow Hose	
11	685733	Backflow Preventer	
12	36802	Hose Clamp	
13	685731	Vent Hose Assembly	
14	685387	Base	
15	38663	Wire Tie	
16	36801	Hose Clamp	
17	685705	Mounting Bracket	
18	685849	Washer	
19	685703	Drain Pump	
20	36802	Hose Clamp	
21	685700	Outer Tub-to-Pump Hose	
22	38067	Shield	
23	685834	Grommet	
24	38096	Screw	Metric

Cabinet and Base



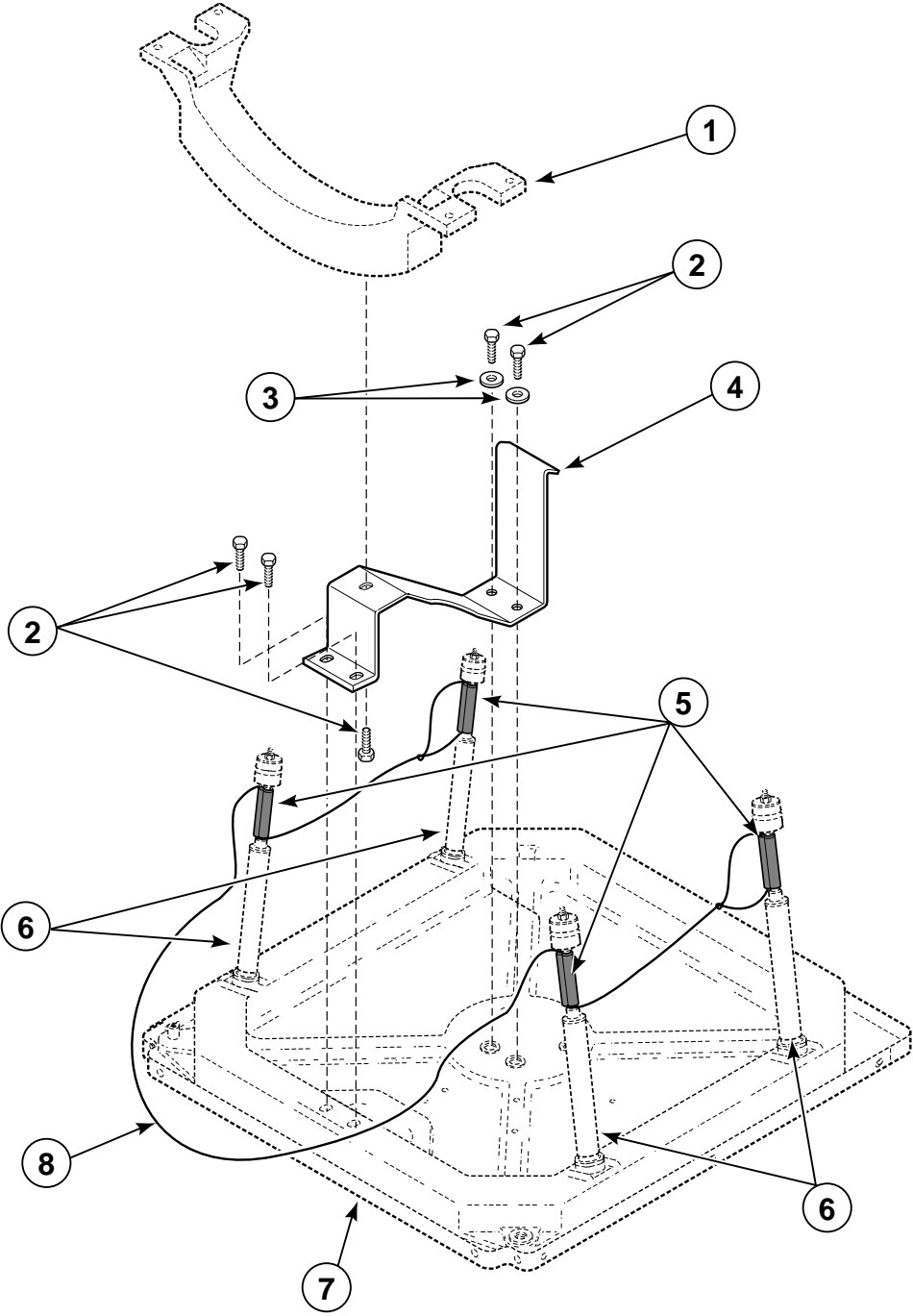
H010PZ3B

Cabinet and Base

REF	PART #	DESCRIPTION	COMMENTS
1	56128	Bumper Pad	
2	56079	Panel Locator	
3	32671	Screw	
4	36985	Clip	
5	500003	Hinge	
6	503661	Screw	
7	685300*	Cabinet	
8	685387	Base	
9	34318	Rubber Foot	
10	685800	Leveling Leg	
11	20274	Hexnut	

* Add Letter To Designate Color. L – Almond W – White

Shipping Materials

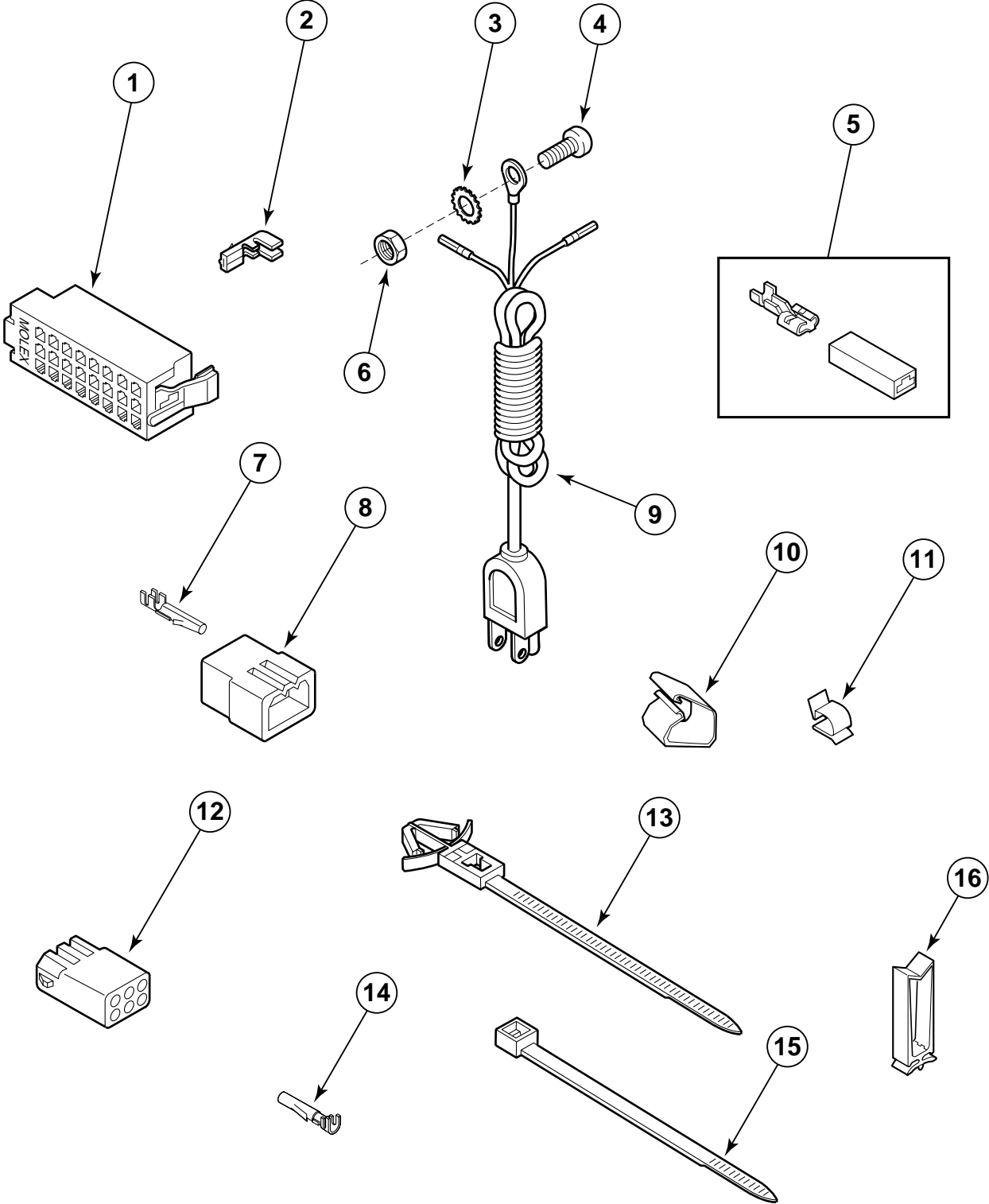


H011PZ3A

Shipping Materials

REF	PART #	DESCRIPTION	COMMENTS
1	685601	Ballast Weight	
2	685840	Screw	
3	685835	Washer	
4	685911	Shipping Bracket	
5	685907	Suspension Brace	
6	685631	Shock Absorber Assembly	
7	685387	Base	
8	685908	Shipping Cord	

Power Cord and Terminals

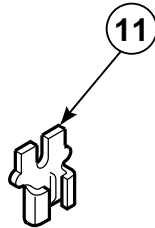
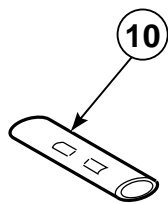
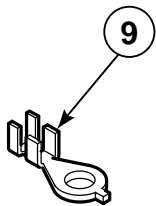
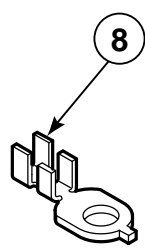
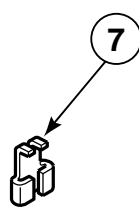
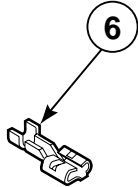
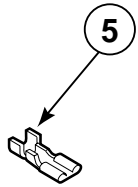
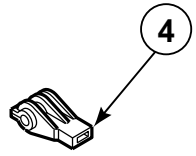
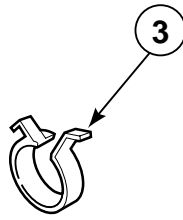
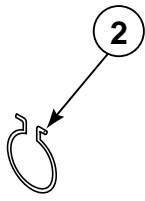
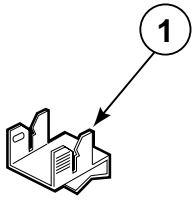


H028PZ3B

Power Cord and Terminals

REF	PART #	DESCRIPTION	COMMENTS
1	32746	Molex Housing	Right Hand, (Black)
	34123	Molex Housing	Left Hand, (White)
2	00188	Molex Terminal	Used for one or two wire application
3	03815	Lockwasher	
4	20267	Screw	
5	00234	Terminal and Housing Assembly	
6	03673	Nut	
7	00116	Terminal	Male
8	23033	Terminal Block Plug	9 Circuit
	23041	Terminal Block Plug	6 Circuit
	26302	Terminal Block Plug	1 Circuit
9	39406	Power Cord	
10	35521	Harness Clip	
11	21036	Cable Clip	
12	26163	Terminal Block Receptacle	9 Circuit
	26301	Terminal Block Receptacle	1 Circuit
	26708	Terminal Block Receptacle	6 Circuit
13	38663	Wire Tie	Push Mount
14	00117	Terminal	Female
15	55881	Wire Tie	
16	36274	Harness Clip	

Terminals



W248PZ3B

Terminals

REF	PART #	DESCRIPTION	COMMENTS
1	00161	Ground Clip	
2	51291	Wire Clip	
3	504034	Wire Clip	
4	70210	Plastic Insulator	
5	00112	Spade Terminal	Small Spade
6	00119	Spade Terminal	Large Spade
7	00120	Right Angle	Flag Terminal
8	00113	Eyelet Terminal	1/4 Inch Ring
9	00110	Eyelet Terminal	Small Shank
10	21091	Connector	Two 1/4 inch male spades
11	29673	Double Connector	

Wire Harnesses and Wires

Individual wires are not available separately. Order complete wire harness, or order wire by the foot. See chart at bottom of page.

MOTOR HARNESS PART NUMBER	CONTROL HARNESS PART NUMBER	MOTOR HARNESS PART NUMBER
685589	685591	685590

Order the individual wire color and gauge by the part number listed below. Order wire by the foot and terminals and connectors as required. It is recommended when applying terminals to wires that the terminals be soldered to the wires.

IMPORTANT: Always replace wires with proper gauge.

PART NUMBER	WIRE GAUGE	WIRE COLOR
45001	18 Gauge Wire	Black
45380	12 Gauge Wire	Orange

Parts Index

A

Actuator	
36164	7
Actuator Support	
685592	7

B

Backflow Preventer	
34500	19
685733	23
Ballast Weight	
685601	27
685608	17
Base	
685387	11, 23, 25, 27
Beaded Strap	
33489	23
Bearing	
685601	15
685602	15
Bearing Housing Assembly	
685001	15
Belt	
685616	21
Bolt	
29651	9
Bracket	
504228	9
Bumper	
56128	9
Bumper Pad	
56128	25

C

Cabinet	
685300*	19, 25
Cabinet Top	
504216*	9
Cable Clip	
21036	29
Cage Nut	
23008	9
Cam	
27261	5
Clamp Ring	
685120	17
Clip	
36985	15, 25
Clutch Assembly	
29503	7
Coin Funnel Kit	
523P3	9
Coin Slide Extension	
685593	7

Coin Slide Guard	
58181	7
Connector	
21091	31
Control Cabinet Wrapper	
685042*	9
Control Knob Assembly	
35182	5
Control Panel Assembly	
504454*	5
Control Panel Overlay	
686514	5
686525	5
Control Shield	
685370	9
685599	9
Control Wire Harness	
685591	32

D

Detergent Hose	
685701	17
Dispenser and Valve	
685756	13
Dispenser Door Front	
685715	13
Dispenser Inlet Hose	
685709	19
685734	19
Dispenser Label	
685923	11
Dispenser Valve-to-Door Seal Hose	
685717	13
Door Assembly	
685081*	11
Door Latch Switch	
685407	11
Door Locked Label	
685947	11
Door Seal	
685426	11, 13
Door Seal Clamp	
685743	11
Double Connector	
29673	31
Drain Hose	
28293	23
Drain Pump	
685703	23

E

Elbow	
36990	23
Eyelet Terminal	
00110	31
00113	31

F

Flat Washer	
685812	15, 17
685813	15
685848	21
Foam Tape	
685366	11
Front Panel	
685323*	11, 13
Front Security Cabinet Assembly	
505337*	9

G

Grommet	
29175	17
685834	23
Ground Clip	
00161	31

H

Harness Clip	
35521	29
36274	29
Heating Element Plug	
685142	17
Hexnut	
20274	25
Hinge	
500003	25
503676	9
Hinge Assembly	
685025	11
Hinge Bracket	
685423	11
Hinge Clip	
500236	9
Hinge Plate	
685421	11
Hose Clamp	
20211	23
20391	23
36801	13, 19, 23
36802	23
685725	17
Hose Clip	
36985	9
Hose Washer	
20290	19

I

Indicator Light	
32464	5
Inlet Hose Assembly	
28330P	19
Inner Basket	
685005	15

Instruction Label	
685942	9

K

Knurled Nut	
24205	5

L

Leveling Leg	
685800	25
Lock Assembly	
27260	5
Locknut	
685844	15
685845	15, 17
Lockwasher	
M400014	15
03815	29
25820	5
685850	15
91176	5
Lower Access Panel	
503796*	11

M

Mixing Valve	
685707	19
Mixing Valve Plate	
685320	19
Molex Housing	
32746	29
34123	29
Molex Terminal	
00188	29
Motor	
685617	21
Motor Control Board	
685503	7
Motor Mount Rod	
685629	21
Motor Speed Switch	
685596	5
Motor Wire Harness	
685589	32
685590	32
Mounting Bracket	
685705	23
Mounting Plate	
685139	15
685319	23

N

Nut	
03673	29
29796	9
52947	5

O

Outer Tub	
685082	15, 17, 23
Outer Tub Front Assembly	
685024	17
Outer Tub-to-Pump Hose	
685700	23

P

Panel Locator	
56079	9, 25
Plastic Boot	
36165	7
Plastic Insulator	
70210	31
Power Cord	
39406	19, 29
Pressure Bulb	
30907	17
Pressure Hose	
685746	17
Pressure Switch	
685520	7
Pulley	
685612	15, 21
Pump-to-Elbow Hose	
685737	23
Push-to-Start Switch	
55882	5

R

Radial Lip Seal	
685603	15
Relay	
431349	7
685597	7
Retainer Clip	
39177	23
Right Angle	
00120	31
Rivet	
685847	9
Rubber Foot	
34318	25

S

Screw	
03950	7
20267	29
21720	7
23008	9
32671	9, 11, 25
33562	7
38096	23
500226	9
501086	9, 19

503661	7, 11, 19, 23, 25
503688	7, 9
51782	7
52909	23
685809	15
685829	11, 13
685830	13
685831	15
685837	7
685839	21
685840	27
685841	17
685842	17
685843	11
685848	15
685857	11

Seal	
685123	17
Security Top Panel	
504229	9
Setscrew	
20310	5
Shield	
38067	23
Shipping Bracket	
685911	27
Shipping Cord	
685908	27
Shock Absorber Assembly	
685631	17, 27
Shoulder Screw	
36166	7
502431	9
Snap Bushing	
M402542	9
Spade Terminal	
00112	31
00119	31
Speed Nut	
36020	9
Spring	
685428	11
Strain Relief	
21903	19
52151	7
Suspension Brace	
685907	27

T

Temperature Switch	
685595	5
Tension Rod	
685216	15
Terminal	
00116	29
00117	29
Terminal and Housing Assembly	
00234	29
Terminal Block Plug	
23033	29
23041	29
26302	29

Terminal Block Receptacle	
26163	29
26301	29
26708	29
Thermostat Plug	
685143	17
Timer	
685585	7
Timer Bracket	
685365	7
Trunnion Assembly	
685212	15

U

Union	
685735	19

V

Vent Hose Assembly	
685731	23

W

Warning Label	
500049	17
500314	17
Washer	
685835	27
685849	23
Wire Clamp Ring	
685427	11
Wire Clip	
504034	31
51291	31
Wire Color	
Black	32
Orange	32
Wire Gauge	
12 Gauge Wire	32
18 Gauge Wire	32
Wire Part Number	
45001	32
45380	32
Wire Tie	
38663	23, 29
55881	13, 29