

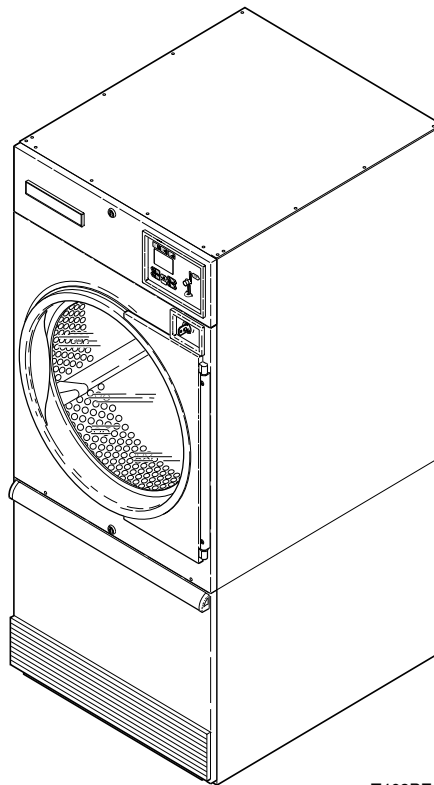
Drying Tumblers

25 Pound (220 Liter) Capacity

30 Pound (270 Liter) Capacity

35 Pound (350 Liter) Capacity

Refer to Page 2 for Model Numbers



T463PE1A

Table of Contents

Title	Page
Parts Ordering Information	2
Nameplate Location	2
Model Identification	3
Electronic Coin Drop Components	4
Card Reader Control Area	6
Electro-Mechanical Coin Drop	8
Manual Dual Timer Controls	10
OPL Microprocessor Controls	12
Cabinet Front Components	14
Lower Cabinet Front Components	16
Cabinet Components	18
Door and Hinge Components	20
Cylinder Components	22
Drive Motor Components	24
Blower Components	26
Gas Burner Components	28
Gas Valve and Piping	30
Electric Heater Components	32
Steam Heater	34
Steam Solenoid Valve	36
Control Tray - Gas	38
Control Tray - Steam	40
Control Tray - Electric	42
Accessory Box - Electric	44
Control Tray - Gas Reversing	46
Control Tray - Gas	48
Control Tray - Steam	50
Control Tray - Electric	52
Accessory Box - Electric	54
Gas Burner Housing	56
Coindrop Assemblies for EC Models	58
Rotary Coindrop Assemblies for CD Models	58
Gas Burner Orifice Table	59
L.P. Gas Kit Table	60
Reversing Motors (0350S Models Only)	61
Non-Reversing Motors	61
Wire Harness Table	62
False Fronts	64
Parts Index	65

© Copyright 2000, Alliance Laundry Systems LLC

All rights reserved. No part of the contents of this book may be reproduced or transmitted in any form or by any means without the expressed written consent of the publisher.

Parts Ordering Information

If literature or replacement parts are required, contact the source from whom the machine was purchased or contact Alliance Laundry Systems at (920) 748-3950 for the name and address of the nearest authorized parts distributor.

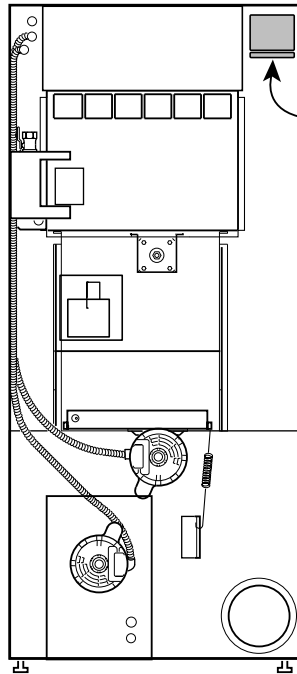
For technical assistance, call (920) 748-3121.

Nameplate Location

When calling or writing about your product, be sure to mention model and serial numbers. Model and serial numbers are located on nameplate(s) as shown.

MODEL NO:		ANS 72152 CLOTHES DRYER VOL. II
SERIAL NO:		
V-/ AMPS, TOTAL kW,	HERTZ/ WIRES + GROUND MOTOR kW	TESTED FOR NATURAL & LIQUID PETROLEUM GASES CGA 72
REQ'D CIRCUIT BREAKER:	AMPS	
FAN OUTPUT: @MAX	"WC STATIC PRESSURE	
EQUIPPED FOR:	GAS @	"WC MANIFOLD PRESS.
MIN SUPPLY PRESSURE:	"WC	MAX SUPPLY PRESSURE: "WC
INPUT:	BTU/hr @	BTU/cu.ft.
MADE IN U.S.A./FABRIQUE AU ETATS UNIS/FABRICADO EN LOS ESTADOS UNIDOS 70051001		

MODEL NO:
SERIAL NO:



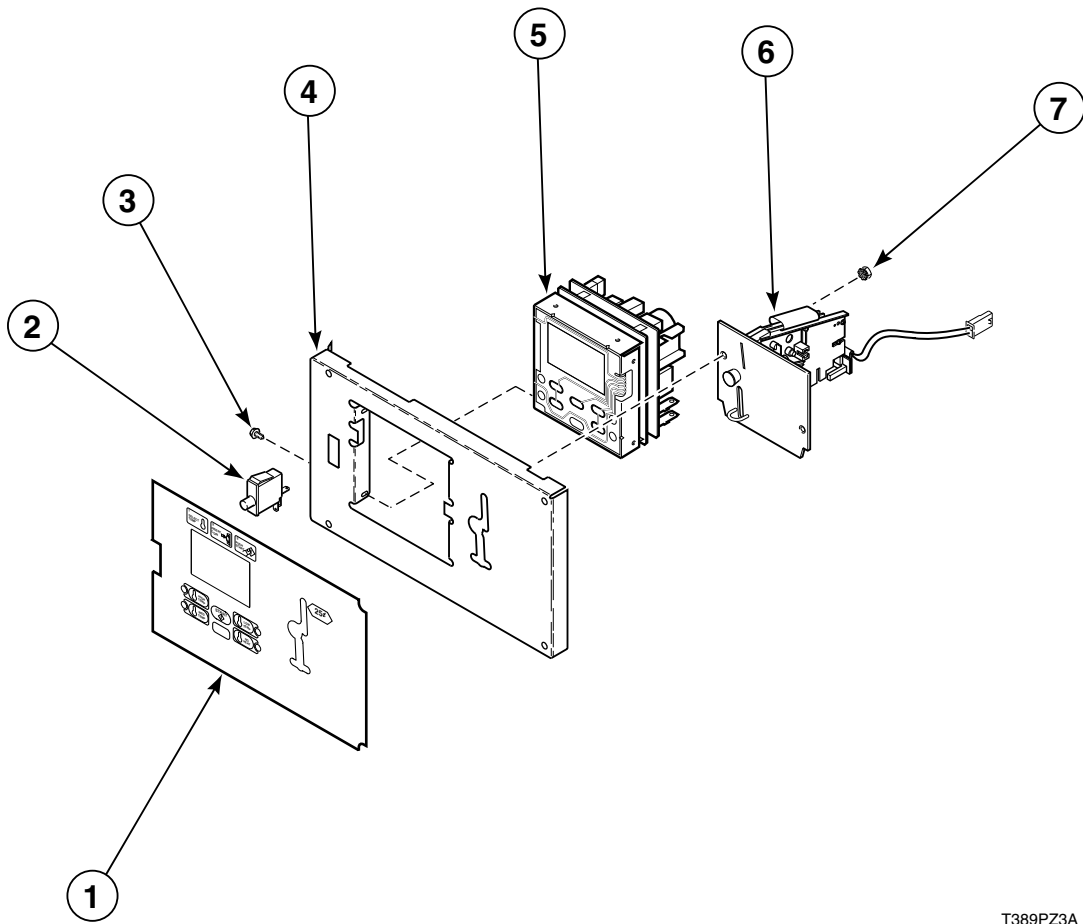
T434i

Model Identification

Information contained in this manual is applicable to these tumbler models:

	25 Pound (220 Liter)	30 Pound (270 Liter)	35 Pound (350 Liter)
Gas	DT0220SFG ST0220SFG JT0220SFG DC0220SFG JC0220SFG SC0220SFG DT0220SRG ST0220SRG JT0220SRG DC0220SRG JC0220SRG SC0220SRG	DT0270SFG ST0270SFG JT0270SFG DC0270SFG JC0270SFG SC0270SFG DT0270SRG ST0270SRG JT0270SRG DC0270SRG JC0270SRG SC0270SRG	DT0350SFG ST0350SFG JT0350SFG DC0350SFG JC0350SFG SC0350SFG DT0350SRG ST0350SRG JT0350SRG DC0350SRG JC0350SRG SC0350SRG
High Output Steam (4 Coil)	DT0220SSH ST0220SSH JT0220SSH DC0220SSH SC0220SSH JC0220SSH	DT0270SSH ST0270SSH JT0270SSH DC0270SSH SC0270SSH JC0270SSH	DT0350SSH ST0350SSH JT0350SSH DC0350SSH SC0350SSH JC0350SSH
Low Output Steam (2 Coil)	DT0220SSL ST0220SSL JT0220SSL DC0220SSL JC0220SSL SC0220SSL	DT0270SSL ST0270SSL JC0270SSL DC0270SSL JC0270SSL SC0270SSL	DT0350SSL ST0350SSL JT0350SSL DC0350SSL JC0350SSL SC0350SSL
Electric	DT0220SEL ST0220SEL JT0220SEL DC0220SEL JC0220SEL SC0220SEL	DT0270SEL ST0270SEL JT0270SEL DC0270SEL JC0270SEL SC0270SEL	DT0350SEL ST0350SEL JT0350SEL DC0350SEL JC0350SEL SC0350SEL

Electronic Coin Drop Components

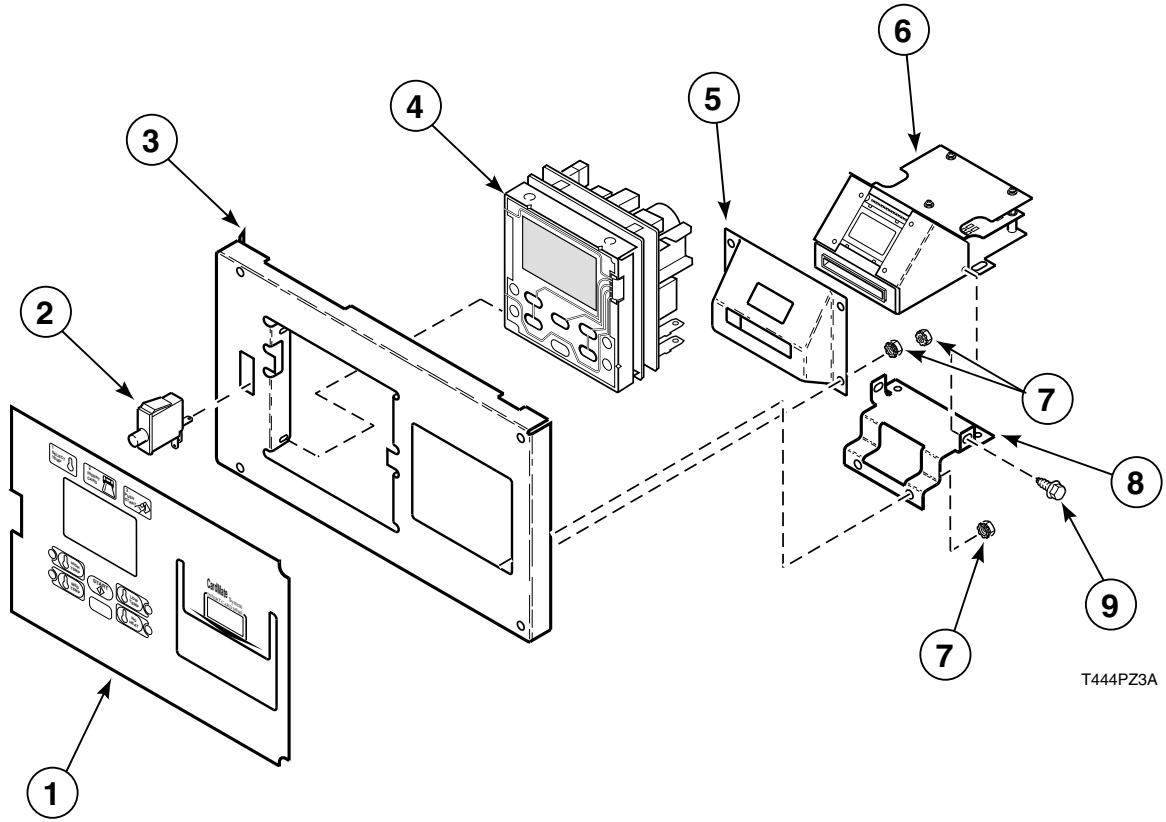


T389PZ3A

Electronic Coin Drop Components

REF	PART #	DESCRIPTION	COMMENTS
1	70113701	Overlay, Electronic Control	ST/SC Models (English)
	70173601	Overlay, Electronic Control	JT/JC Models Without Coin (Icon)
	70128501	Overlay, Electronic Control	JT/JC Models (International) (English)
	70128001	Overlay, Electronic Control	ST/SC Models (Icon)
	70130101	Overlay, Electronic Control	PT/PC Models (Icon)
	70130801	Overlay, Electronic Control	JT/JC Models (Icon)
	2	70107001	Switch, Push Button
3	501524	Screw, For Mounting EDC Control	
4	70175801	Assembly, Mounting Plate with Studs	
5	M414049P	Electronic Control	
6		Coindrop	Refer to Table Page 58
7	70054	Nut	
REF	M4686P3	Electronic Coin Control Kit	Non-European only
	M4687P3	Electronic Coin Control Kit	European only

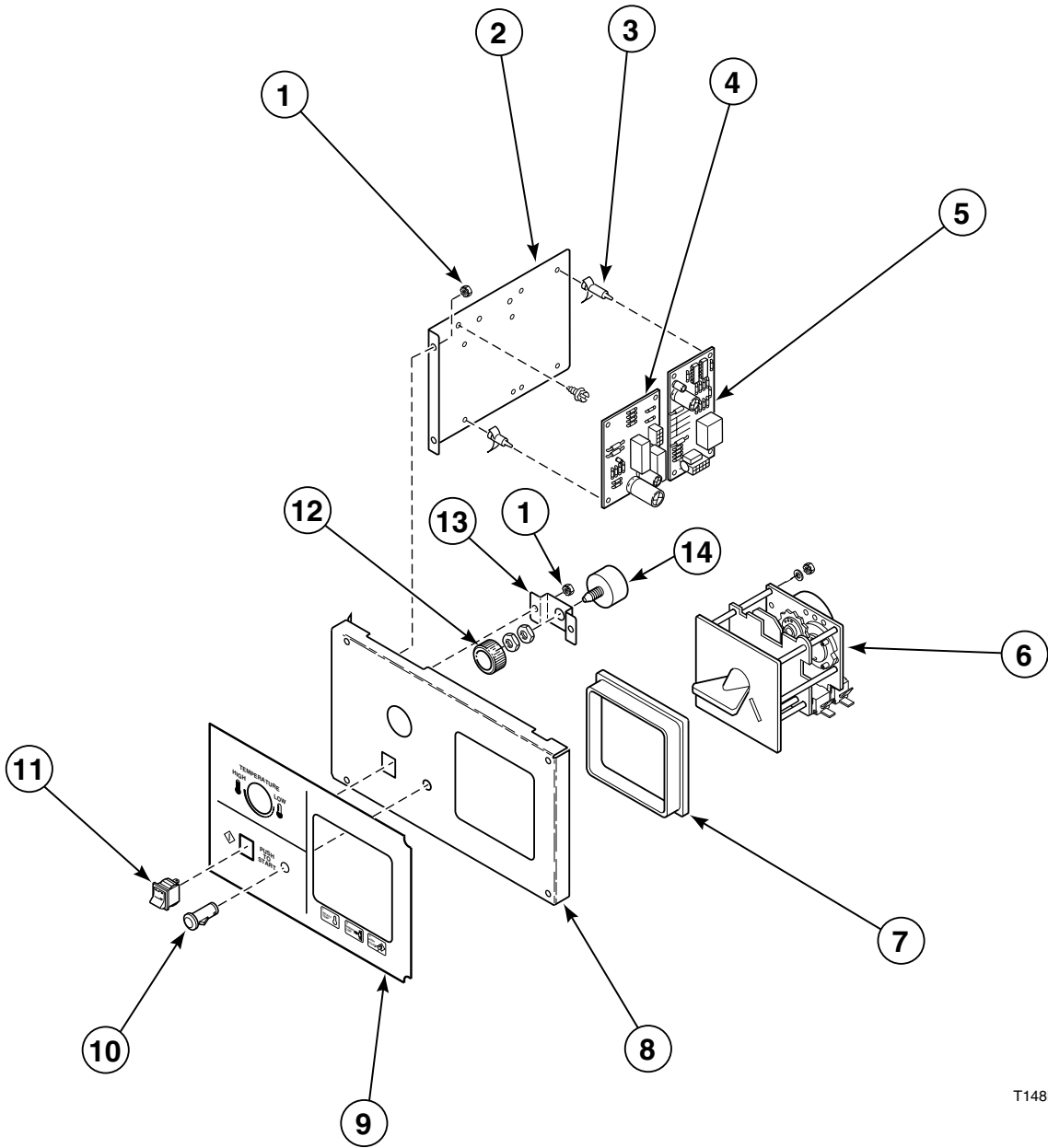
Card Reader Control Area



Card Reader Control Area

REF	PART #	DESCRIPTION	COMMENTS
1	70113801	Overlay, Card Reader	ST Models
	70128801	Overlay, Card Reader	JT Models
2	70107001	Switch, Push Button	
3	70175802	Assembly, Mounting Plate with Studs	
4	M414049P	Electronic Control	
5	M414120	Card Reader Mounting Bracket	
6	39685	Card Reader Control	
7	70054	Nut	
8	M414119	Chassis Mounting Bracket	
9	501524	Screw, Mounting For Electronic Control	

Electro-Mechanical Coin Drop

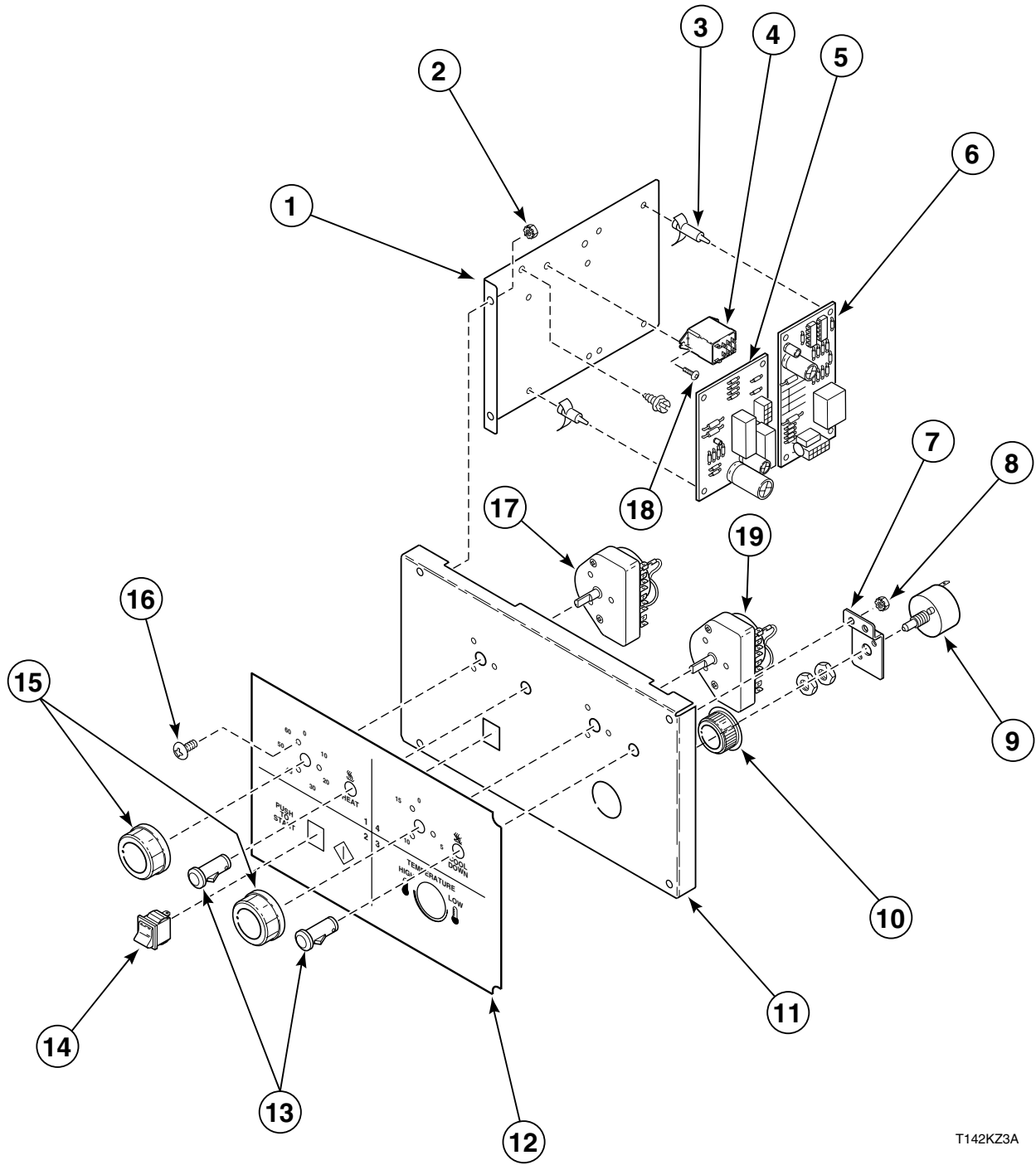


T148KZ3A

Electro Mechanical Coin Drop

REF	PART #	DESCRIPTION	COMMENTS
1	70054	Nut	
2	70063501	Bracket	Prior to Serial Number 9806021652
	70178901	Bracket, Time Delay	Starting with Serial Number 9806021652
3	34896	Standoff for Temperature Control	
4	70175301	Time Delay Circuit Board	
5	431347	Temperature Control	
6		Rotary Coindrop	Refer to Table Page 58
7	70061701	Shroud for Coindrop	
8	70175804	Assembly, Mounting Plate with Studs	
9	70113501	Overlay, Control	ST/SC Models (English)
	70114301	Overlay, Control	JT/JC Models (English)
	70131001	Overlay, Control	ST/SC Models (Icon)
	70134801	Overlay, Control	JT/JC Models (Icon)
10	70082201	Run Light	
11	70108501	Start Switch	
12	70080601	Knob, Temperature Control	SC/ST Models
	431357	Knob, Temperature Control	JC/JT Models
13	70080701	Bracket, Switch	
14	431353	Temperature Switch	
REF	M402797	Screw	Prior to Serial Number 9806021652
	M412534	Relay	Prior to Serial Number 9806021652
	M400972	Clip	For Trim Pieces (Not Shown)
	M405535	Washer	For Coin Drop Mounting (Not Shown)
	70054	Nut	For Coin Drop Mounting (Not Shown)
	M4688P3	Rotary Coin Drop Control Kit	

Manual Dual Timer Controls

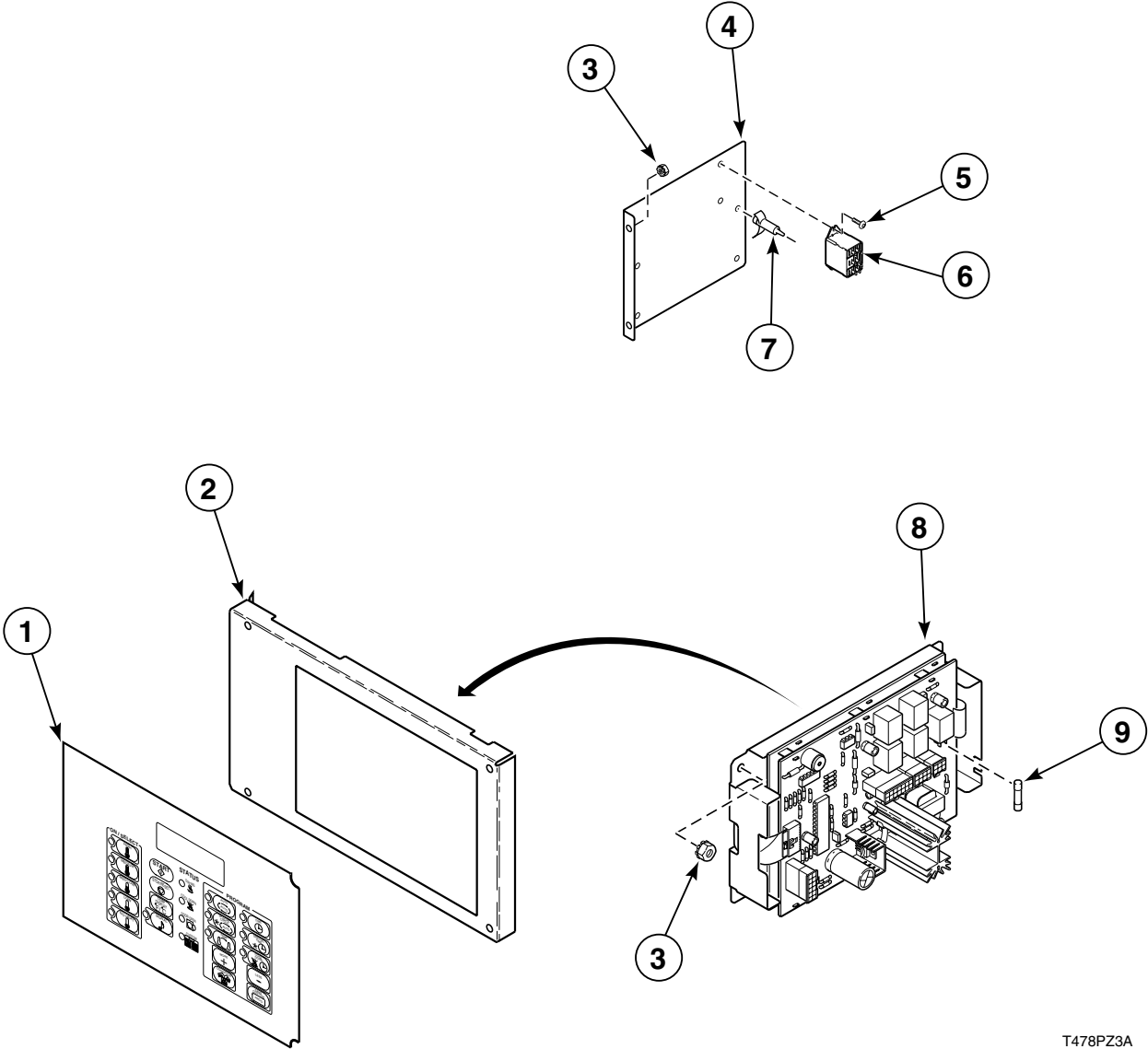


T142KZ3A

Manual Dual Timer Controls

REF	PART #	DESCRIPTION	COMMENTS
1	70063501	Bracket	Prior to Serial Number 9806021652
	70178901	Bracket, Time Delay	Starting with Serial Number 9806021652
2	70054	Nut	
3	34896	Standoff for Temperature Control	
4	M412534	Relay	2 Required Per Control
5	70175301	Time Delay Circuit Board	
6	431347	Temperature Control	
7	70080701	Bracket, Switch	
8	M400977	Nut	
9	431353	Temperature Switch	
10	70080601	Knob, Temperature	DT/ST Models
	431357	Knob, Temperature	JT Models
11	70175803	Assembly, Mounting Bracket with Studs	
12	70114501	Overlay, Control	DC/SC/DT/ST Models (English)
	70134901	Overlay, Control	DT/ST/DC/SC Models (Icon)
	70114201	Overlay, Control	JT/JC Models (English)
	70130201	Overlay, Control	PT/PC Models (Icon)
	70134601	Overlay, Control	JT/JC Models (Icon)
13	70082201	Run Lights (Heat & Cooling)	
14	70108501	Start Switch	
15	70082101	Knob, Timer	DT/ST Models
	M410927	Knob, Timer	JT Models
16	M411052	Screw	
17	70131701	Timer, Heat	
18	M402797	Screw	
19	70131801	Timer, Cooling	
REF	M4690P3	Manual Timer Control Kit	

OPL Microprocessor Controls



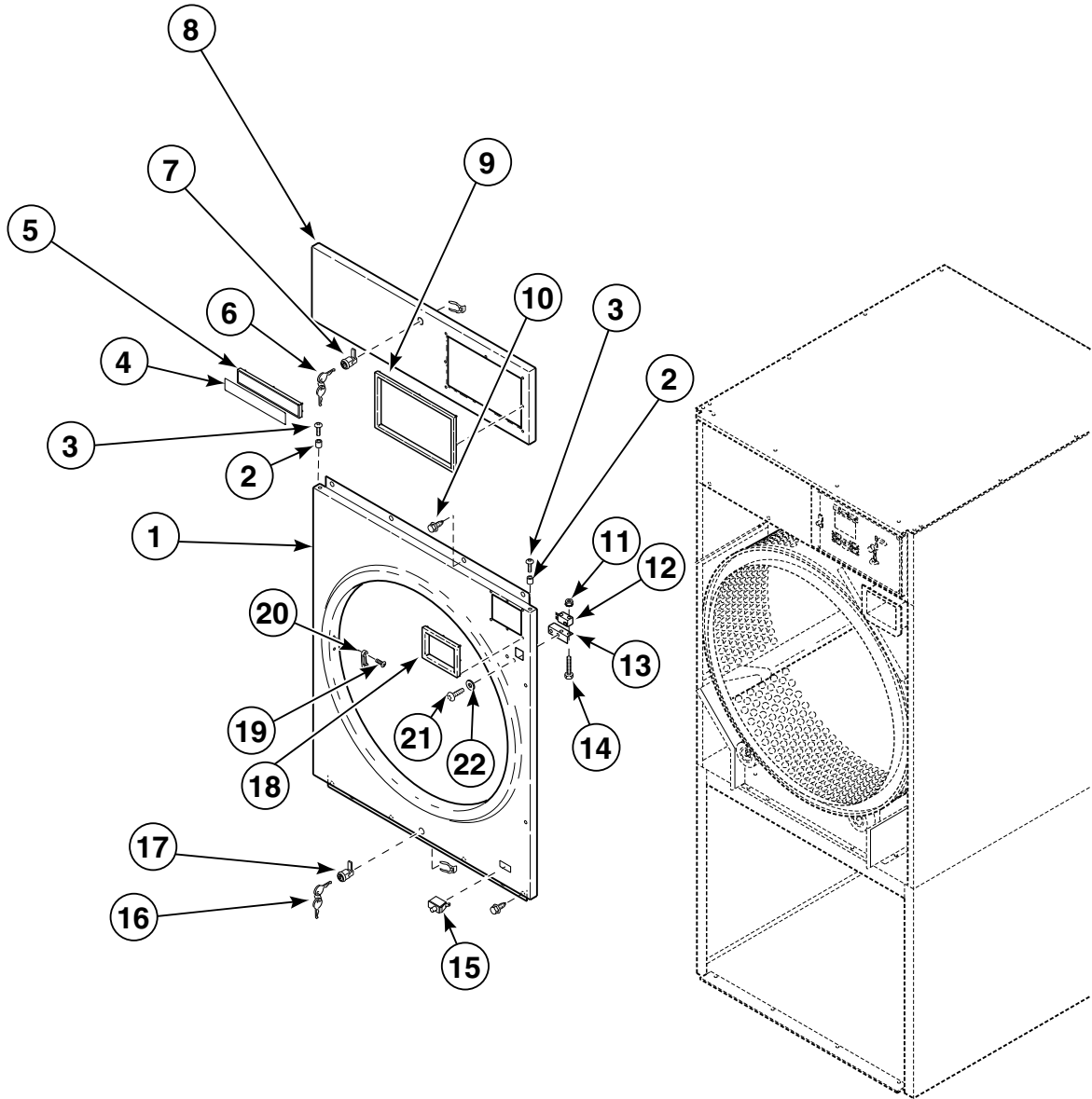
T478PZ3A

OPL Microprocessor Controls

REF	PART #	DESCRIPTION	COMMENTS
1	70115801	Overlay, Micro Control	DC/SC/DT/ST Models Non-Reversing (Icon & English)
	70128401	Overlay, Micro Control	DC/SC/DT/ST Models Reversing (Icon & English)
	70130401	Overlay, Micro Control	DC/SC/DT/ST Models Non-Reversing (Icon)
	70130501	Overlay, Micro Control	DC/SC/DT/ST Models Reversing (Icon)
	70128701	Overlay, Micro Control	JC/JT Models Non-Reversing (Icon & English)
	70130601	Overlay, Micro Control	JC/JT Models Non-Reversing (Icon & English)
	70128601	Overlay, Micro Control	JC/JT Models Reversing (Icon)
	70130701	Overlay, Micro Control	JC/JT Models Reversing (Icon)
	70135301	Overlay, Control	PT/PC Models Reversing (Icon)
	70130301	Overlay, Micro Control	PT/PC Models (Icon)
2	70175805	Assembly, Mounting Plate with Studs	DT/JT/ST Models
	70175806	Assembly, Mounting Plate with Studs	DC/JC/SC Models (European)
3	70054	Nut	
4	70063501	Bracket, Relay	
5	M402797	Screw	
6	M412534	Relay	
7	34896	Standoff for Relay Bracket	
8	M413498P	Assembly, Micro Control	
9	M414103	Fuse	1.25 Amp
REF	† M4689P3	Electronic OPL Control Kit	Non-European only
	M4695P3	Electronic OPL Control Kit	European only

† Dual secondary transformers (M414228 for 100-240 VAC and M414229 for 380-480 VAC) must be used with this kit.

Cabinet Front Components



T436PZ3A

Cabinet Front Components

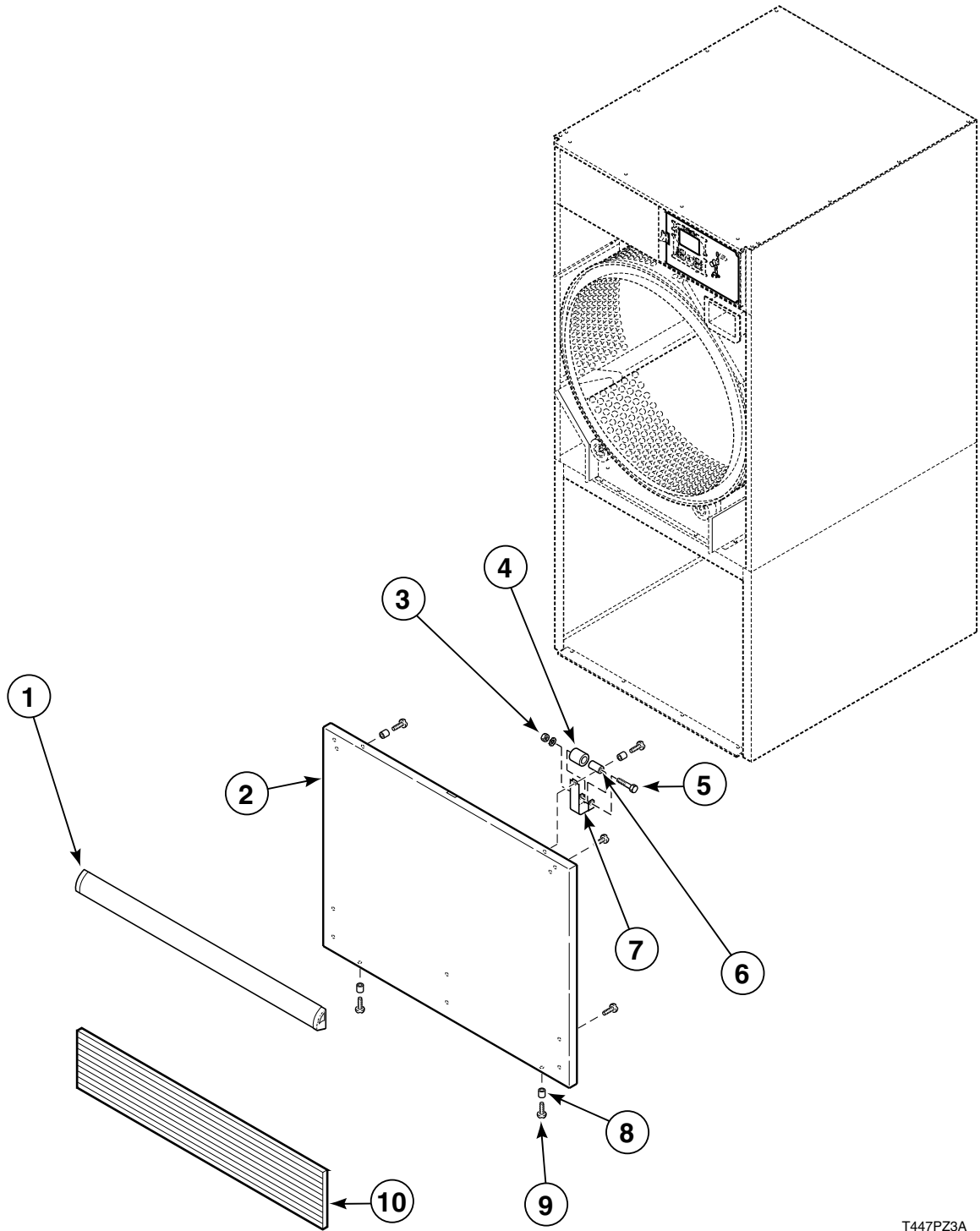
REF	PART #	DESCRIPTION	COMMENTS
1	70176201*	Front Panel - Coin - Painted	All 0220S/0270S CD & EC Except EU
	70176202	Front Panel - Coin - Stainless Steel	All 0220S/0270S CD & EC Except EU
	70176205*	Front Panel - OPL - Painted	All 0220S/0270S OM & MT Except EU
	70176206	Front Panel - OPL - Stainless Steel	All 0220S/0270S OM & MT Except EU
	70176203*	Front Panel - Card Reader - Painted	All 0220S/0270S EP Models
	70176204	Front Panel - Card Reader - Stainless Steel	All 0220S/0270S EP Models
	70176207*	Front Panel - Coin - EU Painted	All 0220S/0270S CD & EC EU
	70176208	Front Panel - Coin - EU Stainless Steel	All 0220S/0270S CD & EC EU
	70176209*	Front Panel - OPL - EU Painted	All 0220S/0270S OM & MT EU
	70176210	Front Panel - OPL - EU Stainless Steel	All 0220S/0270S OM & MT EU
	70176301*	Front Panel - Coin - Painted	All 0350S CD & EC Except EU
	70176302	Front Panel - Coin - Stainless Steel	All 0350S CD & EC Except EU
	70176305*	Front Panel - OPL - Painted	All 0350S OM & MT Except EU
	70176306	Front Panel - OPL - Stainless Steel	All 0350S OM & MT Except EU
	70176303*	Front Panel - Card Reader - Painted	All 0350S EP
	70176304	Front Panel - Card Reader - Stainless Steel	All 0350S EP
	70176307*	Front Panel - Coin - EU Painted	All 0350S CD & EC EU
	70176308	Front Panel - Coin - EU Stainless Steel	All 0350S CD & EC EU
	70176309*	Front Panel - OPL - EU Painted	All 0350S OM & MT EU
	70176310	Front Panel - OPL - EU Stainless Steel	All 0350S OM & MT EU
2	56079	Panel Locator	
3	32671	Screw	
4	70115601	Nameplate Overlay	ST/SC Models
	70128301	Nameplate Overlay	DT/DC Models
5	70117401	Bezel for Nameplate	DT/DC/ST/SC Models
6	70155601	Key for Lock (RL001) †	
7	70155501	Lock, Control Door (RL001) †	
8	70121501*	Top Access Panel - Painted	DT/ST 0220S/0270S Models With Flat Top
	70121502	Top Access Panel - Stainless Steel	DT/ST 0220S/0270S Models With Flat Top
	70121601*	Top Access Panel - Painted	JT 0220S/0270S Models With Flat Top
	70121602	Top Access Panel - Stainless Steel	JT 0220S/0270S Models With Flat Top
	70121301*	Top Access Panel - Painted	DT/ST 0350S Models With Flat Top
	70121302	Top Access Panel - Stainless Steel	DT/ST 0350S Models With Flat Top
	70121401*	Top Access Panel - Painted	JT 0350S Models With Flat Top
	70121402	Top Access Panel - Stainless Steel	JT 0350S Models With Flat Top
9	70117201	Trim, Control	JC/JT Models
	70117301	Trim, Control	DC/DT/SC/ST Models
10	430497	Screw	
11	70072901	Nut	DC/SC/JC Models
12	70125101	Door Switch - EU	DC/SC/JC Models
13	70119301	Bracket - EU Door Switch	DC/SC/JC Models
14	M401938	Screw	DC/SC/JC Models
15	70107001	Door Switch	
16	70155602	Key for Lock (RL002) †	
17	70155502	Lock, Lint Panel (RL002) †	
18	70117502	Trim, Coin Vault (Black)	ST/SC Models
	70117501	Trim, Coin Vault (Gray)	JT/JC Models
	70117503	Trim, Coin Vault (White)	PC/PT Models
19	M400003	Pop Rivet	
20	M401223	Door Catch	
21	70132301	Screw	DC/SC/JC Models
22	H88510516	Washer	DC/SC/JC Models
REF	70030501	Clip for Front Panel Screws	(Not Shown)
	M400972	Clip for Trim Pieces	(Not Shown)

* Add letter to designate color.

V – Orange B – Battina Green K – Red H – Harvest Gold
L – Almond X – Electric Blue W – White P – Turquoise

† **NOTE: Locks with key codes H2133, H2141 are no longer available. When replacing these items, order both lock and key.**

Lower Cabinet Front Components



T447PZ3A

Lower Cabinet Front Components

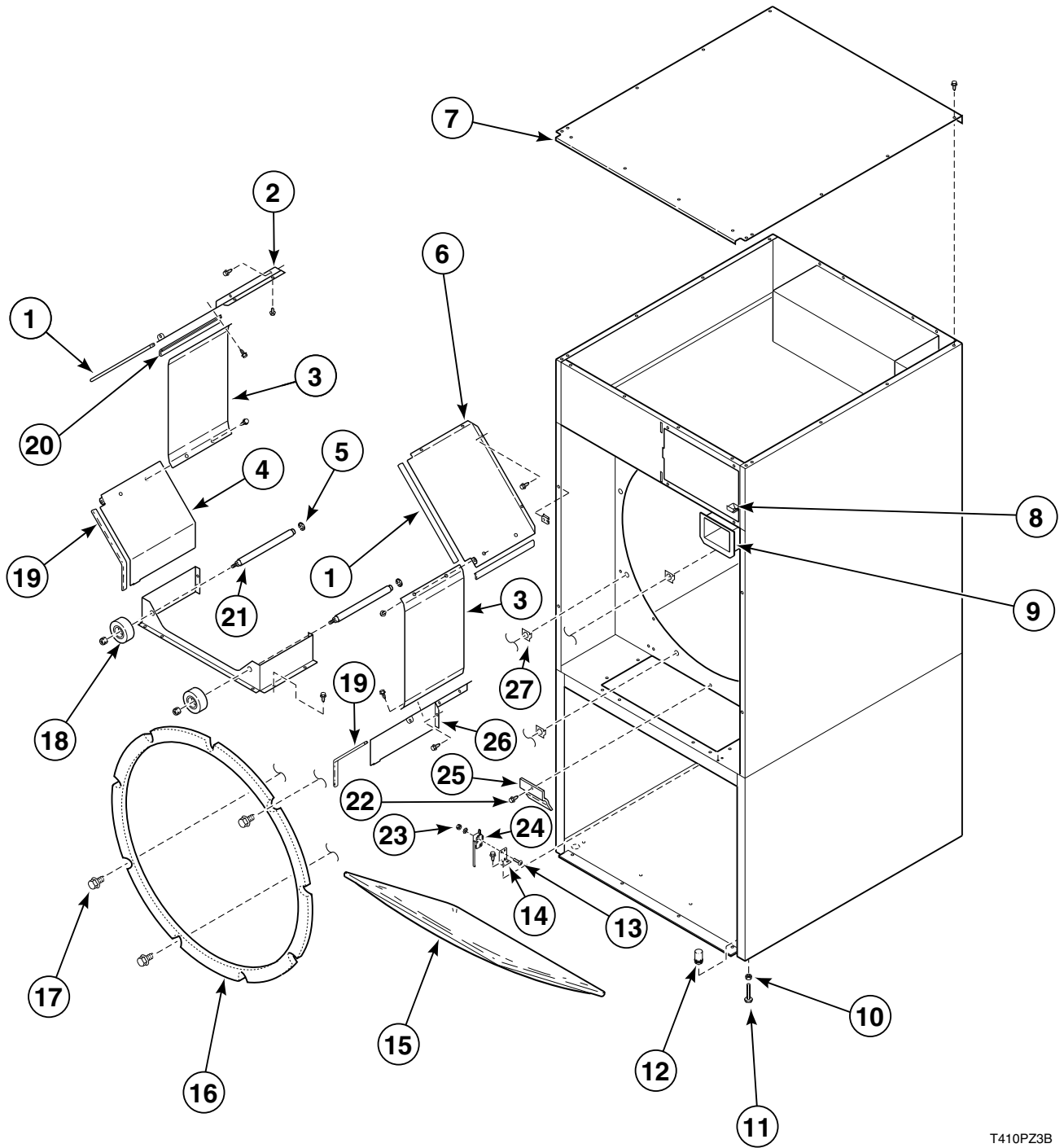
REF	PART #	DESCRIPTION	COMMENTS
1	70154401	Assembly, Bumper for Lint Panel (Black)	DT/DC/ST/SC 0220S/0270S
	70154402	Assembly, Bumper for Lint Panel (Dark Gray)	JT/JC 0220S/0270S
	70154403	Assembly, Bumper for Lint Panel (Black)	DT/DC/ST/SC 0350S
	70154404	Assembly, Bumper for Lint Panel (Dark Gray)	JT/JC 0350S
2	70176601*	Lint Panel Assembly - Coin - Painted †	DT/DC/ST/SC 0220S/0270S - CD, EC & EP Models
	70176602	Lint Panel Assembly - Coin - Stainless Steel	0220S/0270S - CD, EC & EP Models
	70176605*	Lint Panel Assembly - Coin - Painted †	JT/SC 0220S/0270S
	70176705*	Lint Panel Assembly - Coin - Painted	JT/JC 0350
	70176707*	Lint Panel Assembly - OPL - Painted	JT/JC 0350
	70176706	Lint Panel Assembly - Coin - Stainless Steel	JT/JC 0220S/0270S
	70176708	Lint Panel Assembly - OPL - Stainless Steel	JT/JC 0220S/0270S
	70176603*	Lint Panel with Roller Catch - OPL - Painted	0220S/0270S - MT & OM Models
	70176604	Lint Panel with Roller Catch - OPL - Stainless Steel	0220S/0270S - MT & OM Models
	70176701*	Lint Panel - Coin - Painted	0350S - CD, EC & EP Models
	70176702	Lint Panel - Coin - Stainless Steel	0350S - CD, EC & EP Models
	70176703*	Lint Panel with Roller Catch - OPL - Painted	0350S - MT & OM Models
	70176704	Lint Panel with Roller Catch - OPL - Stainless Steel	0350S - MT & OM Models
	3	23951	Nut
4	70030101	Wheel	
5	70072801	Screw	
6	70030201	Spacer	
7	70030301	Arm	
8	56079	Panel Locator	
9	32671	Screw	
10	70117601	Kickplate (Black)	DC/DT/SC/ST 0220S/0270S
	70117602	Kickplate (Dark Gray)	JC/JT 0220S/0270S
	70117603	Kickplate (Black)	DC/DT/SC/ST 0350S
	70117604	Kickplate (Dark Gray)	JC/JT 0350S
REF	70113001	Screw	(Not Shown) For Attaching Bumper
	70126301	Pop Rivet (Black)	(Not Shown) For Attaching Kickplate
	70126401	Pop Rivet (Gray)	(Not Shown) For Attaching Kickplate
	70069801	Panel Gasket	0220S/0270S and 0350S

* Add letter to designate color.

V – Orange B – Battina Green K – Red H – Harvest Gold
L – Almond X – Electric Blue W – White P – Turquoise

† Includes items 2, 8, 10

Cabinet Components

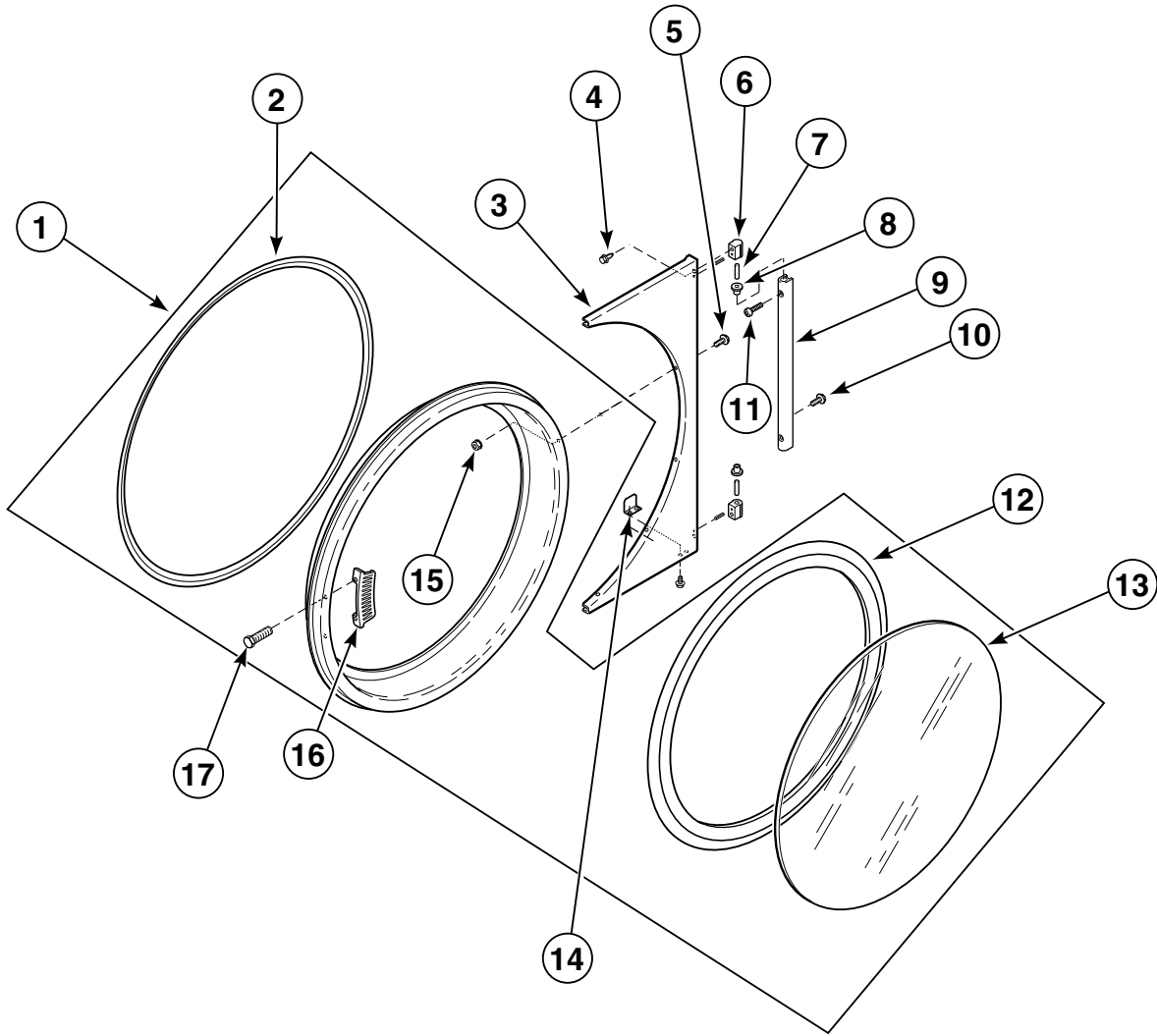


T410PZ3B

Cabinet Components

REF	PART #	DESCRIPTION	COMMENTS
1	70015701	Gasket - Upper Baffles 11.38	
2	70022101	Baffle - Upper Left	
3	70036601	Thermal Shield	
4	70015201	Baffle - Lower Left	0350S Models
	70022201	Baffle - Lower Left	0220S/0270S Models
5	430576	Nut	
6	70022001	Baffle - Upper Right	
7	70000301	Flat Top, Galve	0270S Models
	70018601	Flat Top, Galve	0350S Models
	70059801	Flat Top, Galve	0220S Models
8	70216201P	Coin Chutes (2)	CD/EC Models
9	70180101	Coin Vault	CD/EC Models
10	21899	Nut	
11	34319	Leveling Leg	
12	70063201	Plastic Cap	
13	M401938	Screw	
14	70019301	Bracket, Lint Panel Switch	
15	70173301	Lint Screen	
16	70066002	Assembly, Center Partition Seal	0220S/0270S Models
	70066001	Assembly, Center Partition Seal	0350S Models
17	430497	Screw	
18	70052601	Cylinder Roller	
19	70015703	Gasket - Lower Baffles 10.50	0220S/0270S Models
	70015701	Gasket - Lower Baffles 11.38	0350S Models
20	70015702	Gasket 8.75	
21	70017701	Roller Shaft	
22	430497	Screw	
23	70072901	Nut	
24	70016001	Switch, Lint Panel	
25	70054501	Clip	
26	70015101	Baffle - Lower Right	0350S Models
	70022301	Baffle - Lower Right	0220S/0270S Models
27	70014003	Clip, Center Partition Seal	

Door and Hinge Components

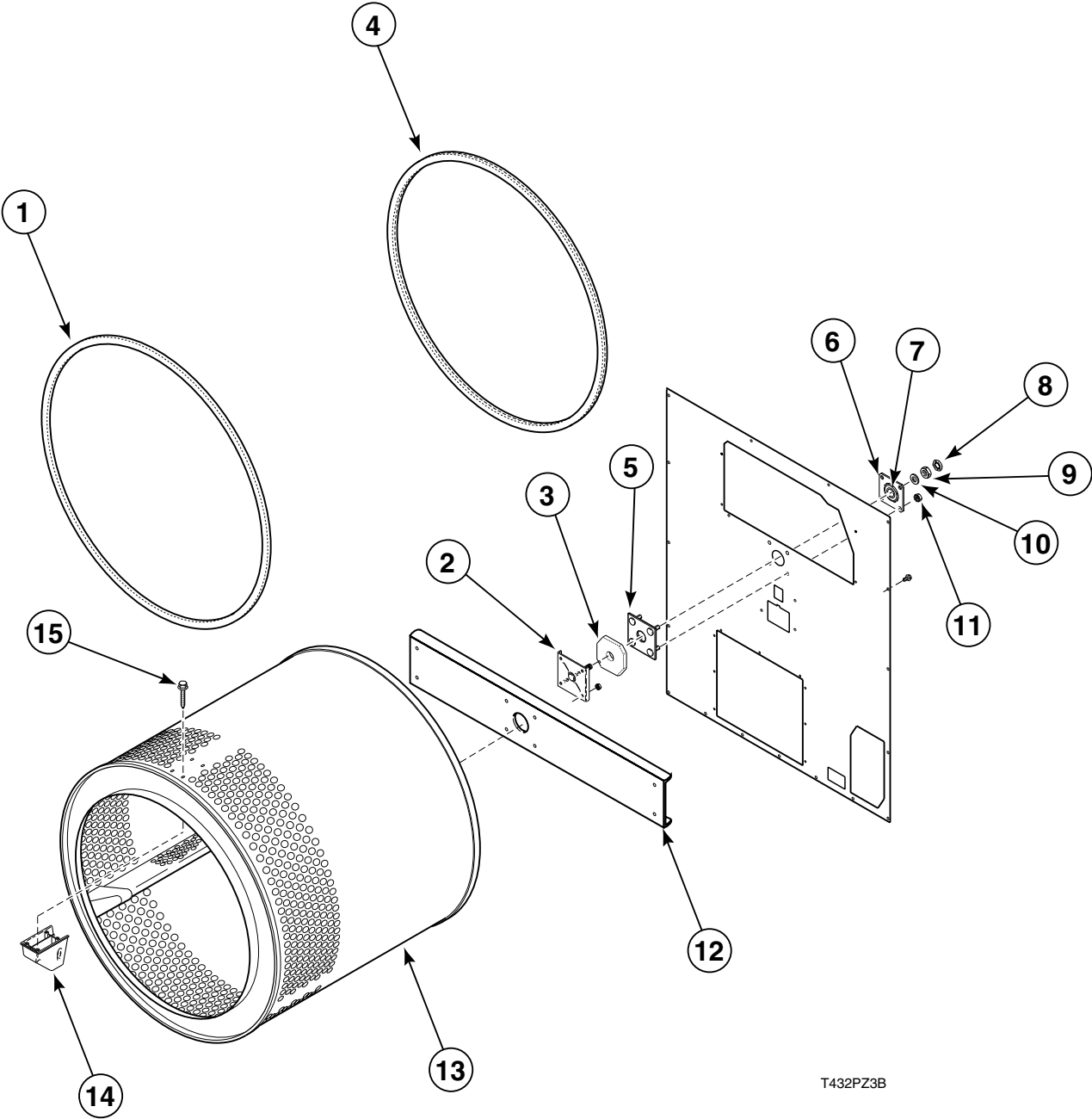


T439PZ3A

Door and Hinge Components

REF	PART #	DESCRIPTION	COMMENTS
1	70176501	Door Assembly Complete	ST/SC Models - Excludes Hinge
	70176502	Door Assembly Complete	JT/JC Models - Excludes Hinge
	70176503	Door Assembly Complete	DC/DT Models - Excludes Hinge
	70176504	Door Assembly Complete	GT/GC/PC/PT Models - Excludes Hinge
2	70131601	Door Rim Gasket	
3	70115901*	Door Hinge - Painted	All 0350S Models
	70115902	Door Hinge - Stainless Steel	All 0350S Models
	70116001*	Door Hinge - Painted	All 0220S/0270S Models
	70116002	Door Hinge - Stainless Steel	All 0220S/0270S Models
4	61199	Screw	
5	501524	Screw	
6	70174801	Hinge Cam	
7	70071401	Hinge Pin	
8	70071101	Hinge Bushing	
9	70174701	Hinge Lug - Long	
10	70113001	Screw	
11	70033502	Screw, Allen Head	
12	70030901	Door Glass Seal	
13	70133601	Door Glass	JT/JC Models
	M400784	Door Glass	DC/DT/ST/SC Models
14	70108301	Door Switch Actuator	
15	70054	Nut	
16	70024801	Door Handle	ST/SC Models
	70133501	Door Handle	JT/JC Models
	430117	Door Handle	DC/DT Models
	M400133	Door Handle	PC/PT Models
17	M400661	Door Strike Screw	
REF	M400645	Acorn Nut for Door Strike	(Not Shown)

Cylinder Components

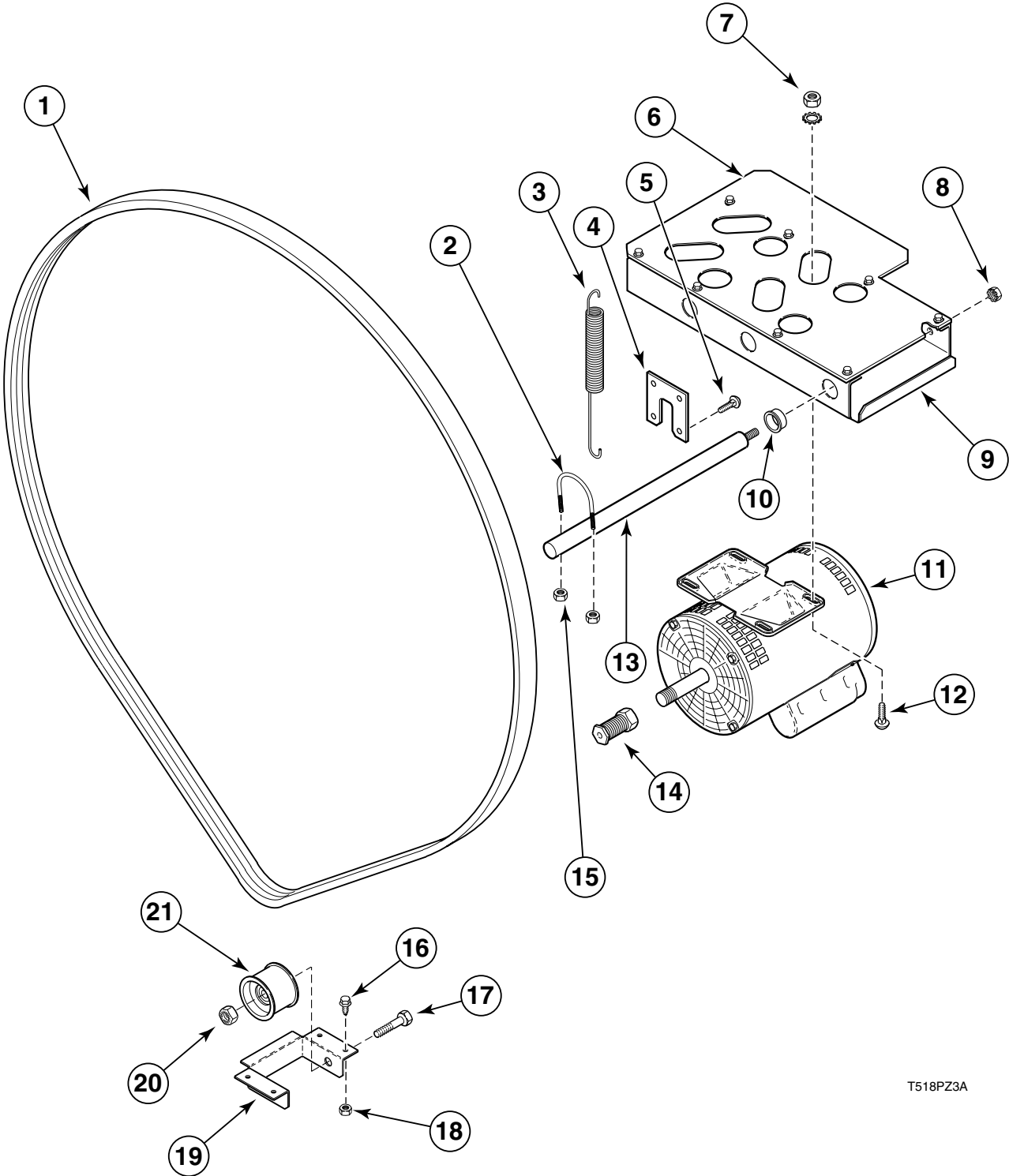


T432PZ3B

Cylinder Components

REF	PART #	DESCRIPTION	COMMENTS
1	70066002	Cylinder Seal - Center	0220S/0270S
	70066001	Cylinder Seal - Center	0350S
2	70189301	Trunnion Shaft	
3	70193801	Felt Seal	
4	70013702	Cylinder Seal - Rear	0220S/0270S
	70013701	Cylinder Seal - Rear	0350S
5	430352	Stud Plate	
6	70013901	Bearing Housing	
7	430038	Bearing	
8	M400034	Palnut	
9	M400022	Jamnut	
10	M400991	Washer	
11	M412986	Nut	
12	70190701	Cylinder Channel	0350S
	70190601	Cylinder Channel	0220S/0270S
13	70174901	Cylinder Assembly - Galvanized	0220S; Includes 70190601
	70174902	Cylinder Assembly - Stainless Steel	0220S; Includes 70190601
	70175001	Cylinder Assembly - Galvanized	0270S; Includes 70190601
	70175002	Cylinder Assembly - Stainless Steel	0270S; Includes 70190601
	70175201	Cylinder Assembly - Galvanized	0350S; Includes 70190701
	70175202	Cylinder Assembly - Stainless Steel	0350S; Includes 70190701
14	70070101	End Cap - Cylinder Baffle	
15	62588	Screw	
REF	70014003	Clip - Center Partition Seal	Not Shown
	70189201	Bolt	Not Shown; Cylinder to Trunnion
	M400013	Lockwasher	Not Shown; Cylinder to Trunnion
	70142	Nut	Not Shown; Cylinder to Trunnion
	70015301	Rear Seal Support	Not Shown; 0220S/0270S

Drive Motor Components

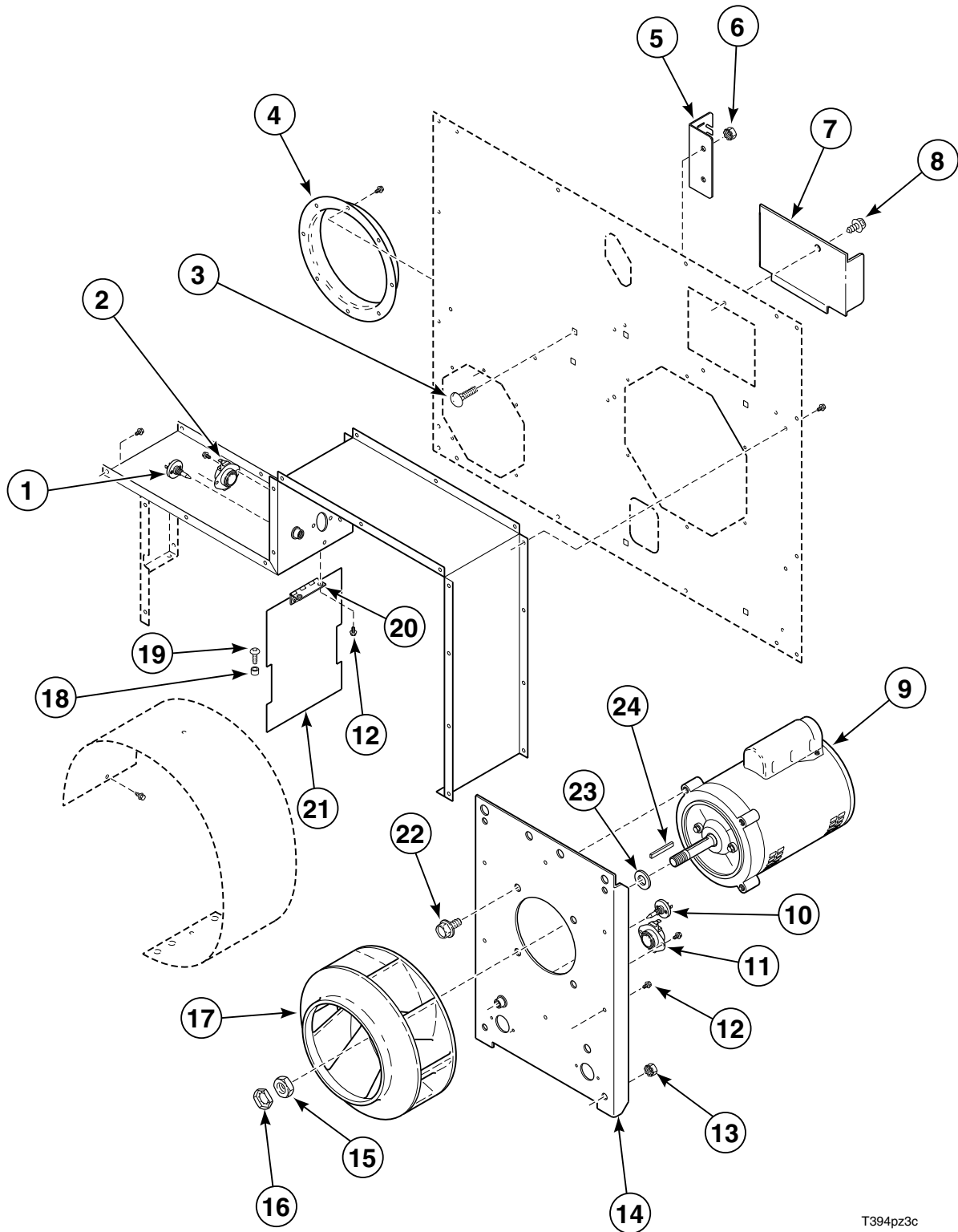


T518PZ3A

Drive Motor Components

REF	PART #	DESCRIPTION	COMMENTS
1	70053104	Belt, Poly V 102.5 inch	0350S
	70053105	Belt, Poly V 94 inch	0220S/0270S
2	70186101	U-Bolt	
3	70051401	Spring, Belt Tension	
4	70200901	Bracket, Idler Pivot	
5	32671	Screw	
6	70197101	Motor Bracket Assembly	
7	M412986	Nut	
8	70142	Nut	
9	70194401	Motor Pivot Channel	
10	70027701	Bushing	
11		Motor, Cylinder Drive	Refer to Table on Page 61
12	70062401	Bolt, Carriage	
13	70012501	Pivot Shaft	
14	70189102	Motor Pulley - 60 Hertz	0220S/0270S
	70189101	Motor Pulley - 60 Hertz	0350S
	70189104	Motor Pulley - 50 Hertz	0220S/0270S
	70189103	Motor Pulley - 50 Hertz	0350S
15	29786	Keps Nuts	Two
16	M412985	Screw	
17	430648	Cap Screw	
18	M412986	Nut	
19	70131101	Bracket, Idler Wheel	
20	56156	Nut	
21	70050401	Idler Wheel	
REF	70182901	Motor Pivot Plate Assembly	
	70196301	Drive Access Cover	Not Shown
		Cabinet High Limit Thermostat	All except Australian Models - Not Shown
		Cabinet High Limit Thermostat - Manual Reset	Australian Models - Not Shown
		Thermistor	Not Shown

Blower Components

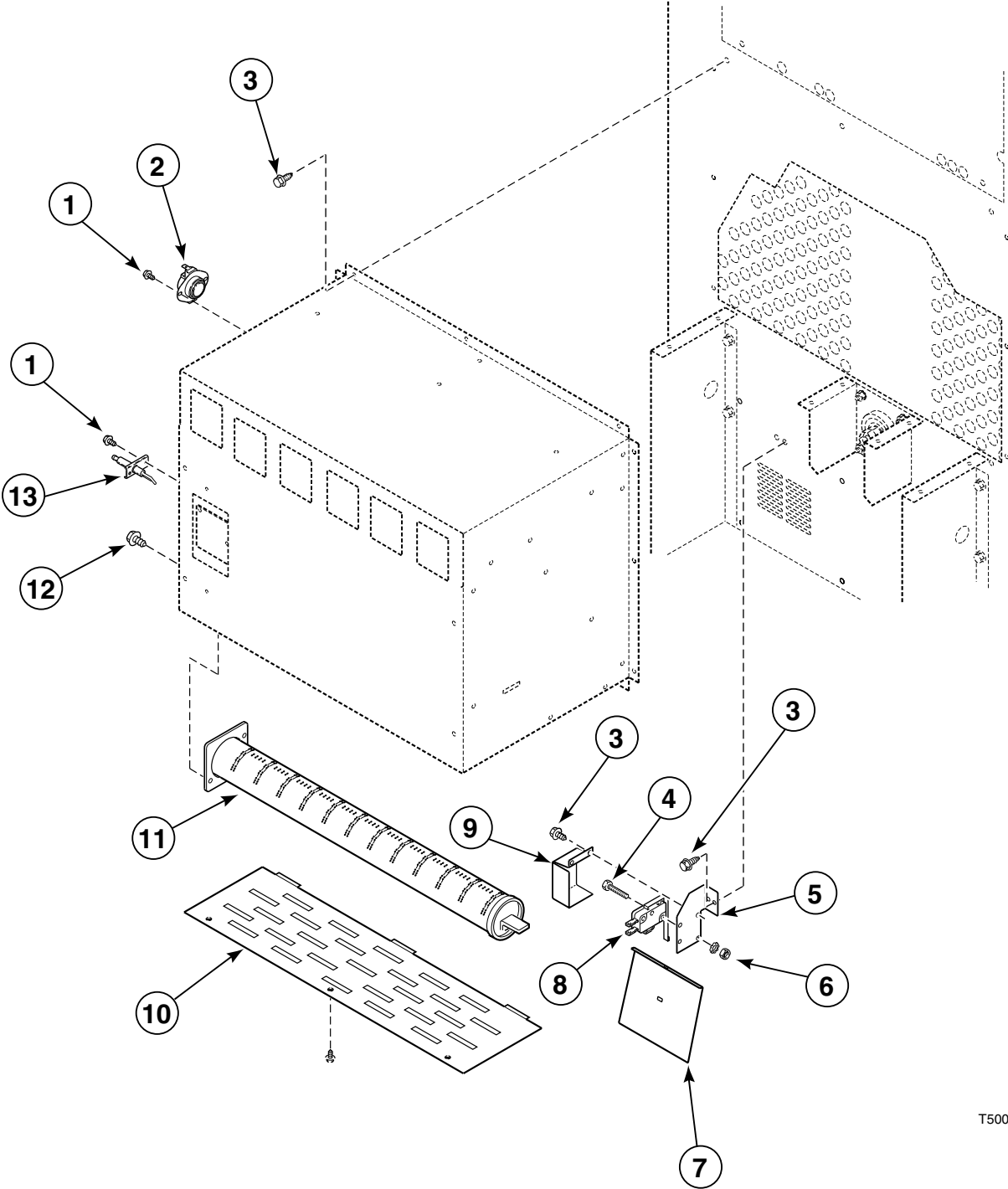


T394pz3c

Blower Components

REF	PART #	DESCRIPTION	COMMENTS
1	M411758	Thermister Assembly	New Location after Serial No. 9807017296
2	M411307	Thermostat, High Limit (Close I55)	New Location after Serial No. 9807017296; all except Australia
	70186401	Thermostat, High Limit (Manual Reset I55)	New Location after Serial No. 9807017296; Australia
3	70062401	Bolt	
4	70017801	Thimble, Exhaust-6 inch	0220S/0270S
	70015601	Thimble, Exhaust-8 inch	0350S
5	70202001	Spring Tension Bracket	
6	M412986	Nut	
7	70144601	Access Cover	
8	M411072	Screw	
9		Fan Motor	Refer to Table on Page 61
10	M411758	Thermistor Assembly	
11	M411307	Thermostat, High-Limit (Close I55)	All Except Australia
	70186401	Thermostat, High-Limit (Manual Reset I55)	Australia
12	430497	Screw	
13	56156	Nut	
14	70012001	Motor Mounting Plate	
15	M400022	Jamnut, 9/16-18	
16	M400034	Palnut, 9/16-18	
17	70123301	Assembly, Fan	
18	56079	Panel Locator	
19	32671	Screw	
20	503676	Hinge	
21	70201201	Damper	
22	70126101	Screw, 3/8-16 x 5/8 Hex Washer Head	
23	M400991	Washer	
24	70144101	Key, .125 x 1.25 Straight	

Gas Burner Components

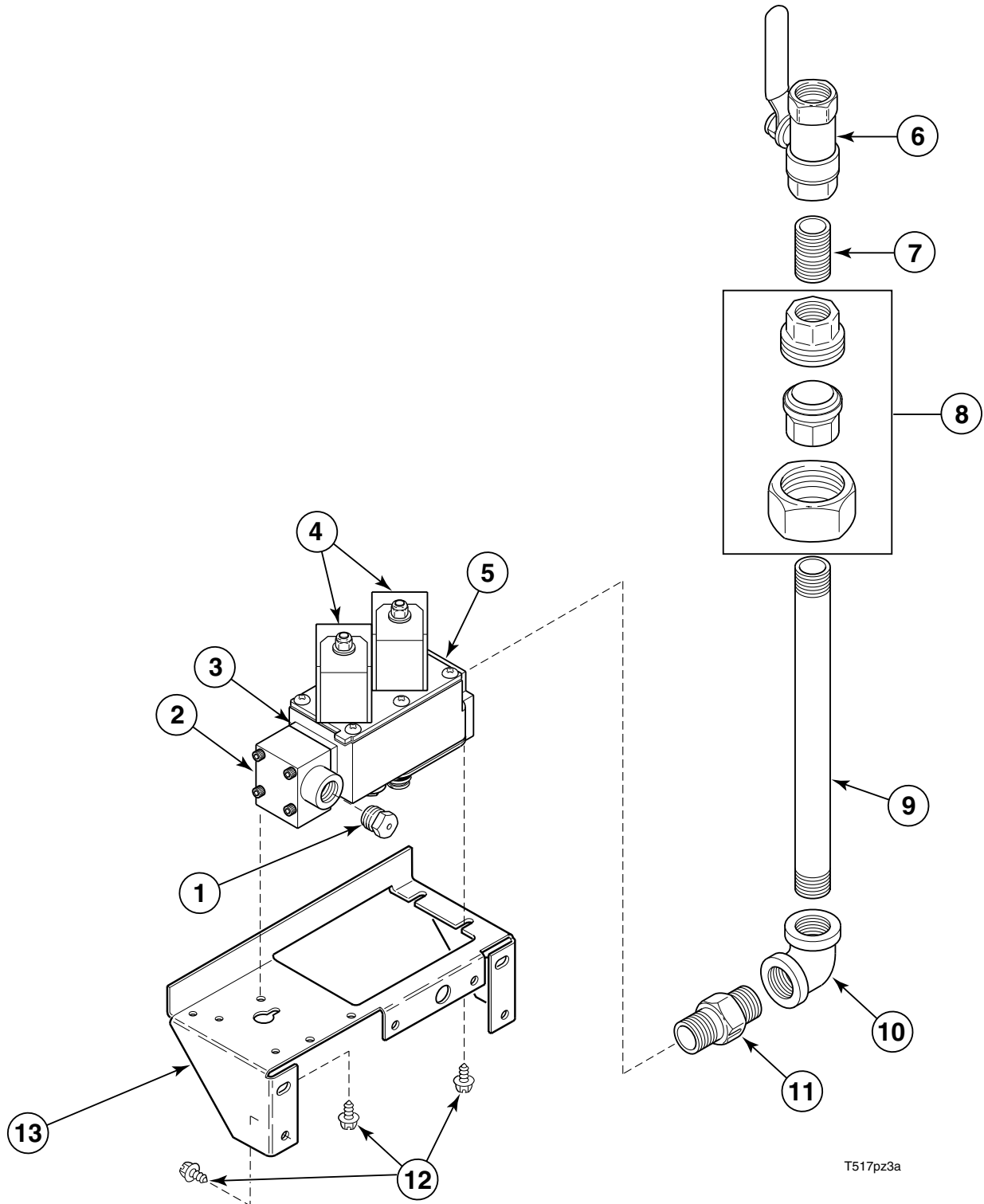


T500PZ3B

Gas Burner Components

REF	PART #	DESCRIPTION	COMMENTS
1	430497	Screw	
2	M409443	Thermostat, Stove Limit	60 Hertz Models
	M409433	Thermostat, Stove Limit	50 Hertz Models
	M409219	Thermostat, Stove High Limit	All models except Australian - Starting with Serial No. 9807017296
	70186301	Thermostat, Stove High Limit - Manual Reset	Australian Models Starting with Serial No. 9807017296
	M411938	Thermostat, Stove Limit - Manual Reset	Australian Models
3	51780	Screw	
4	M401938	Screw	
5	70188301	Bracket	
6	M400979	Twin Speed Nut	
7	70068901	Air Flow Vane	
8	70068701	Air Flow Switch	
9	70143501	Cover	
10	70188801	Burner Grill	
11	70032701	Gas Burner	Through Serial No. 9807017295
	70184801	Gas Burner	Starting with Serial No. 9807017296
12	05161	Screw	
13	70032801	Spark Electrode	
REF	70203301	Air Flow Switch Shutter	Electric Models only; Not Shown

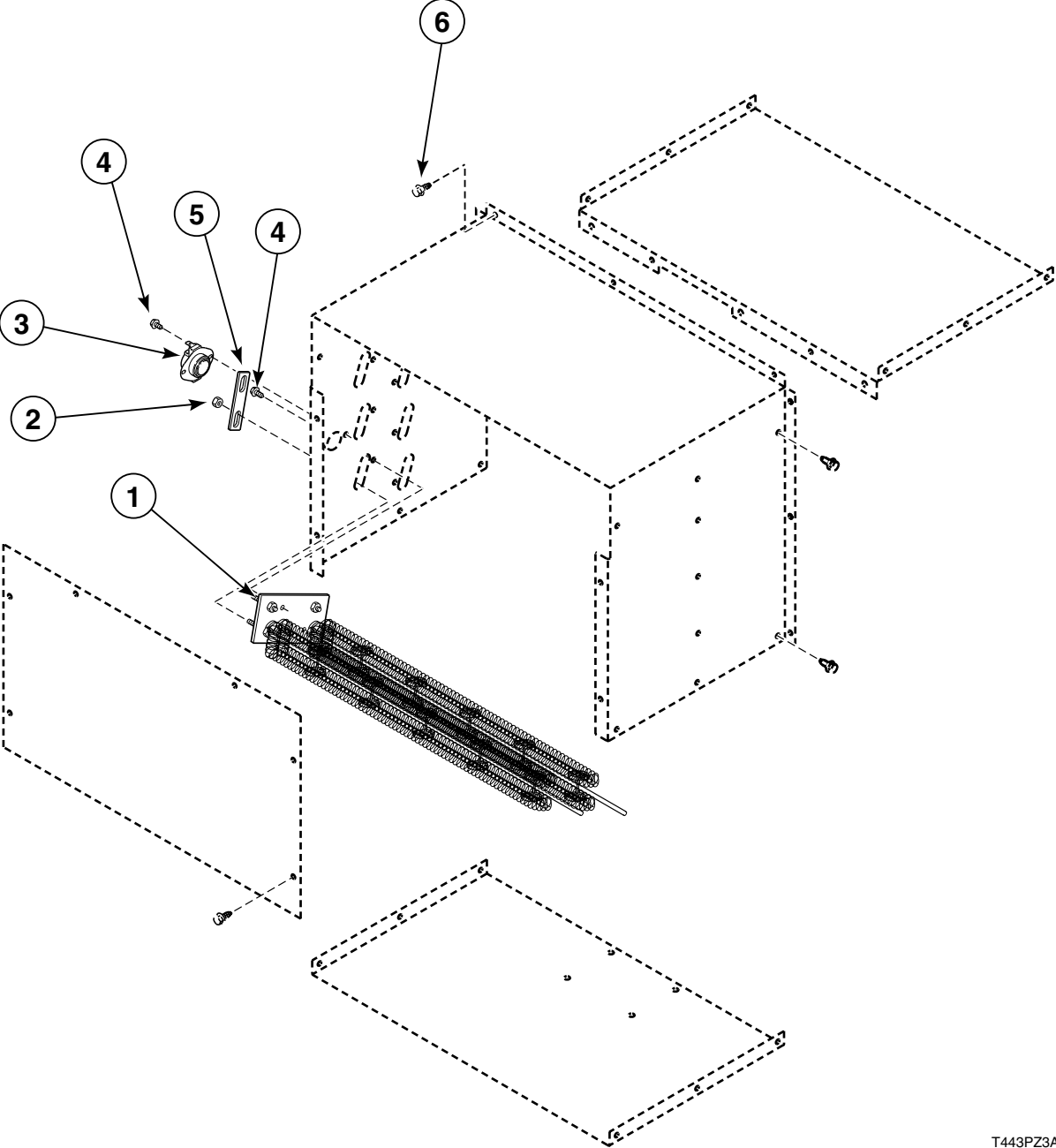
Gas Valve and Piping



Gas Valve and Piping

REF	PART #	DESCRIPTION	COMMENTS
1		Burner Orifice	Refer to Table Page 59
2	70226101	Spud Adapter	
3	431482	O Ring	
4	70186701	Gas Valve Coil - 24 Volts	
5	M4733P3	Gas Valve - Regulated	Natural Gas, Through Serial No. 980701725
	70188601	Gas Valve - Regulated	Natural Gas, Starting with Serial No. 9807017296
	70188701	Gas Valve - Unregulated	L.P. Gas, Starting with Serial No. 9807017296
	M4734P3	Gas Valve - Unregulated	L.P. Gas, Through Serial No. 9807017295
6	M412562	Manual Shutoff Valve	
7	431486	Close Nipple - 1/2 NPT	
8	H86000031	Union	
9	70139601	Pipe Nipple	
10	70079601	Elbow	
11	70131901	Bpt/npt Adapter	
12	23222	Screw	
13	70210301	Gas Valve Bracket	

Electric Heater Components

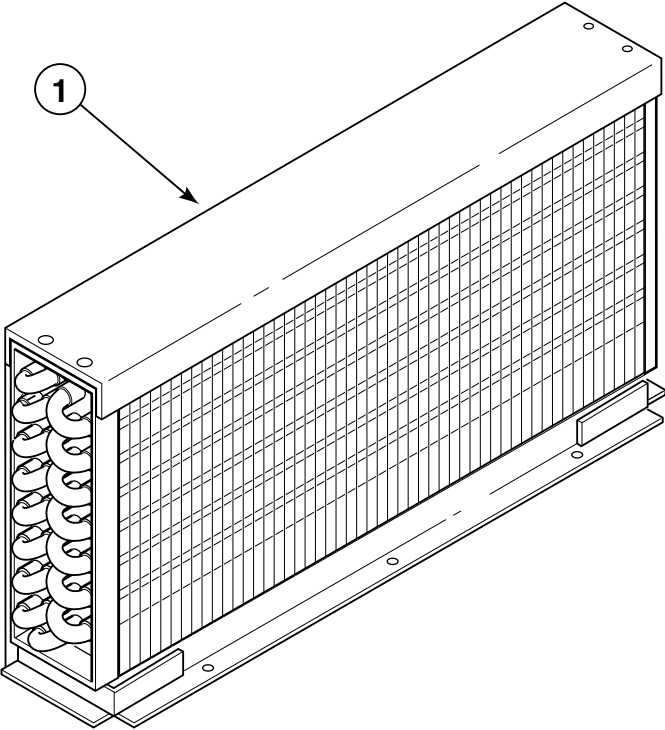


T443PZ3A

Electric Heater Components

REF	PART #	DESCRIPTION	COMMENTS
1	70034410	Heater Element - 6KW 208 Volt	0220S 208 Volt 1/3 Phase
	70034412	Heater Element - 6KW 240 Volt	0220S 240 Volt 1/3 Phase, 415-480 Volt 3 Phase
	70034411	Heater Element - 6KW 220 Volt	0220S 380 Volt 3 Phase
	70034413	Heater Element - 3KW 220 Volt	0220S 380 Volt 3 Phase
	70034404	Heater Element - 8KW 208 Volt	0270S 208 Volt 1/3 Phase
	70034406	Heater Element - 8KW 240 Volt	0270S 240 Volt 1/3 Phase, 415-480 Volt 3 Phase
	70034405	Heater Element - 8KW 220 Volt	0270S 380 Volt 3 Phase
	70034407	Heater Element - 9KW 208 Volt	0350S 208 Volt 1/3 Phase
	70034409	Heater Element - 9KW 240 Volt	0350S 240 Volt 1/3 Phase, 415-480 Volt 3 Phase
	70034408	Heater Element - 9KW 220 Volt	0350S 380 Volt 3 Phase
	70034401	Heater Element - 7KW 208 Volt	0270S 208 Volt 1 Phase
	70034402	Heater Element - 7KW 220 Volt	0270S 380 Volt 3 Phase
	70034403	Heater Element - 7KW 240 Volt	0270S 240 Volt 1/3 Phase, 415-480 Volt 3 Phase
	70034414	Heater Element - 4KW 208 Volt	0220S 208 Volt 1/3 Phase, starting with Serial No. 9807017296
	70034415	Heater Element - 4KW 220 Volt	0220S 380 Volt 3 Phase, starting with Serial No. 9807017296
	70034416	Heater Element - 4KW 240 Volt	0220S 240 Volt 1/3 Phase, 415-480 Volt 3 Phase, starting with Serial No. 9807017296
2	70054	Nut	
3	M410220	Thermostat, Heater Limit	
4	430497	Screw	
5	70066501	Jumper Bar	
6	51780	Screw	

Steam Heater

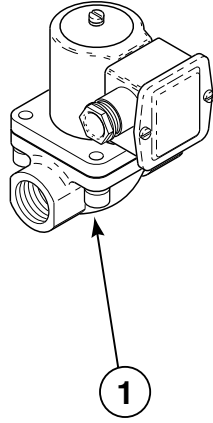


T479PZ3A

Steam Heater

REF	PART #	DESCRIPTION	COMMENTS
1	70035801	Steam Coil - 2 Row	SL Models
	70035901	Steam Coil - 4 Row	SH Models
REF	70036001	Air Filter	(Not Shown)
	M409443	Thermostat-Hi Limit	(Not Shown)
	70137801	Bracket, Thermostat	(Not Shown)
	70139901	Cover, Thermostat	(Not Shown)

Steam Solenoid Valve



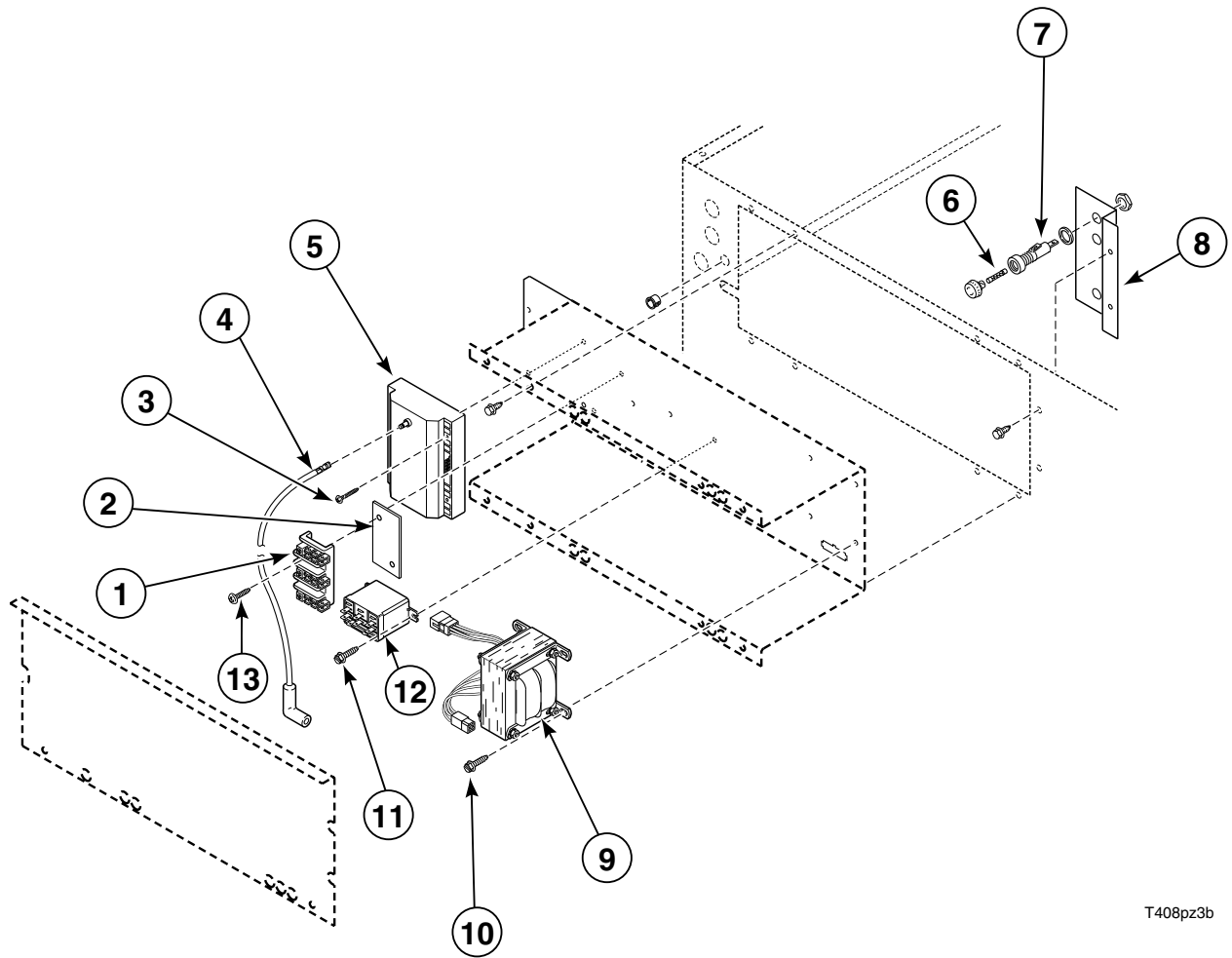
T449PZ3A

Steam Solenoid Valve

REF	PART #	DESCRIPTION	COMMENTS
1	70205601	Steam Solenoid Valve - 60 Hertz	24 Volt
	M413445	Steam Solenoid Valve - 50 Hertz	
REF	70205701	Coil for 70205601	

Control Tray - Gas

(Non-European Models)



T408pz3b

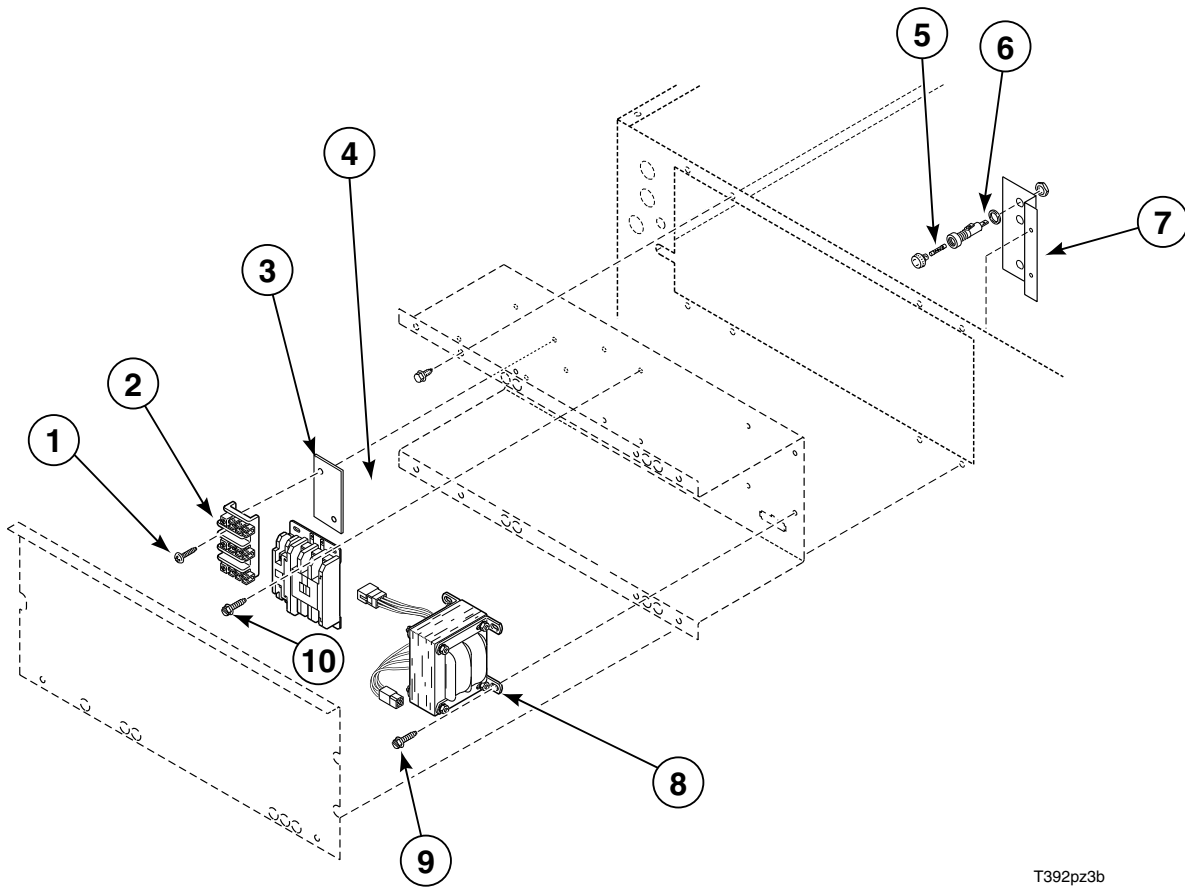
Control Tray - Gas

(Non-European Models)

REF	PART #	DESCRIPTION	COMMENTS
1	430642	Terminal Block	
2	M413862	Insulator for Terminal Block	
3	70118801	Screw	
4	70006201	High Tension Lead	
5	M413532	Ignition Control	Except Australian Models
	M413433	Ignition Control	Australian Models
6	M413118	Fuse 2 Amp	All 200-240 Volt
	M414232	Fuse 3.5 Amp	
	M413621	Fuse 0.5 Amp	All 380-480 Volt
7	91024	Fuse Holder	
	M413544	Fuse Holder	All 380-480 Volt
8	70123701	Bracket, Fuse Holder - Low Voltage	100-240 Volt
	70123801	Bracket, Fuse Holder - High Voltage	380-480 Volt
9	M414230	Transformer	All 60 Hertz 1 Phase Except OM
	M414228	Transformer	OM 60 Hertz 1 Phase, All 50 Hertz, All 3 Phase
10	33562	Screw	
11	51778	Screw for Relay	
	51780	Screw for Contactor	
12	70210901	Motor Relay - 1 Phase	EU
	M413614	Motor Contactor - 3 Phase	
13	M405824	Screw	
REF	M402917	Ground Screw (Green)	(Not Shown)
	M413863	Network Capacitor Assembly	OM/RM Models (Not Shown)
	M413930	Ferrite Core	OM/RM Models (Not Shown)
	M413431	Ignition Reset Switch - Lighted	Australian Models (Not Shown)

Control Tray - Steam

(Non-European Models)



T392pz3b

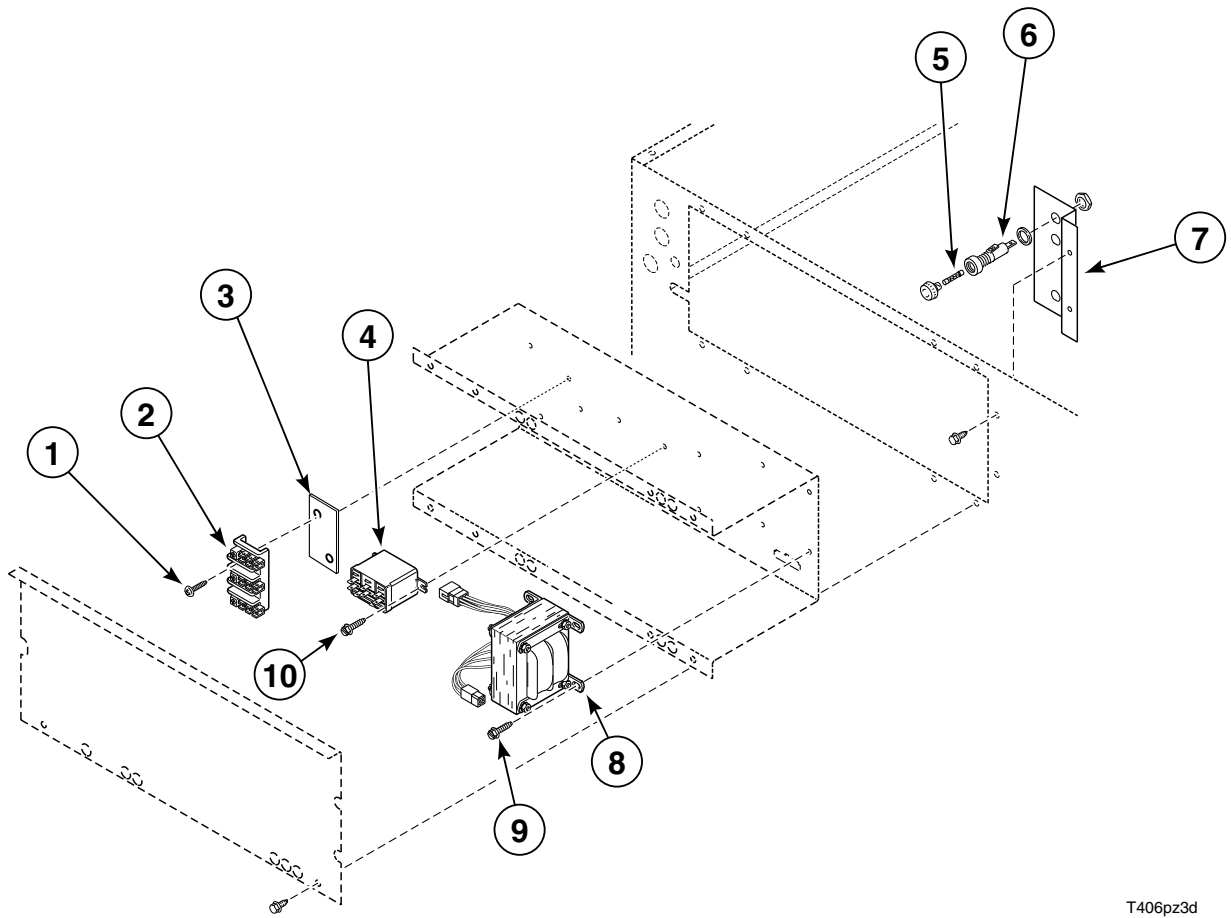
Control Tray - Steam

(Non-European Models)

REF	PART #	DESCRIPTION	COMMENTS
1	M405824	Screw	
2	430642	Terminal Block	
3	M413862	Insulator For Terminal Block	
4	70210901	Motor Relay - 1 Phase	Non EU
	M413614	Motor Contactor - 3 Phase	
5	M413118	Fuse 2 Amp	All 200-240 Volt
	M413621	Fuse 0.5 Amp	All 380-480 Volt
	M414232	Fuse 3.5 Amp	
6	91024	Fuse Holder	
	M413544	Fuse Holder	All 380-480 Volt
7	70123701	Bracket, Fuse Holder - Low Voltage	100-240 Volt
	70123801	Bracket, Fuse Holder - High Voltage	380-480 Volt
8	M414228	Transformer	OM 60 Hertz 1 Phase, All 50 Hertz, All 3 Phase
	M414230	Transformer	All 60 Hertz 1 Phase Except OM
9	M411072	Screw	
10	51778	Screw for Relay	
	430497	Screw for Contactor	
REF	M402917	Ground Screw (Green)	(Not Shown)
	M413863	Network Capacitor Assembly	OM/RM Models (Not Shown)
	M413930	Ferrite Core	OM/RM Models (Not Shown)

Control Tray - Electric

(Non-European Models)



T406pz3d

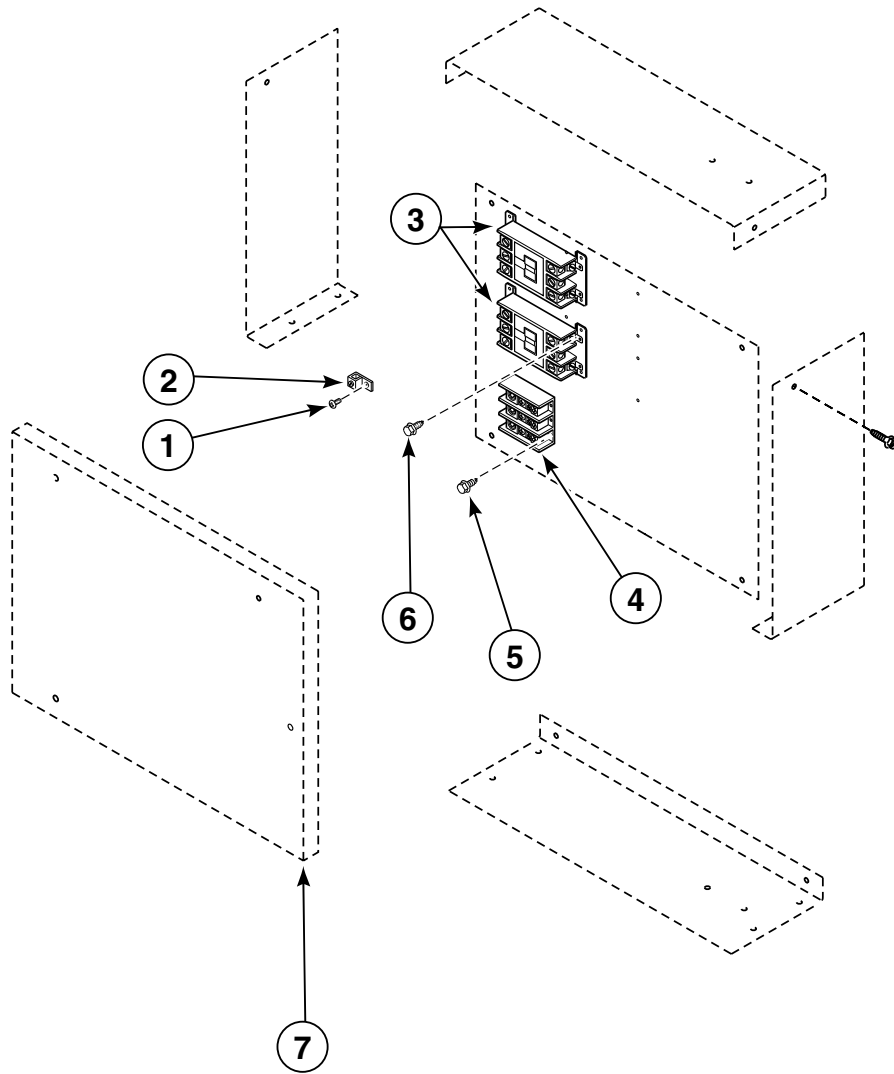
Control Tray - Electric

(Non-European Models)

REF	PART #	DESCRIPTION	COMMENTS
1	M411072	Screw	
2	430642	Terminal Block	
3	M413862	Insulator for Terminal Block	
4	70210901	Motor Relay - 1 Phase	
	M413614	Motor Contactor - 3 Phase	
5	M413623	Fuse (250 Volt) 4 Amp	For DT, JT, ST Steam Models
	M414232	Fuse (250 Volt) 3.5 Amp	
	M413621	Fuse (600 Volt) 0.5 Amp	
	M413118	Fuse (250 Volt) 2 Amp	
6	91024	Fuse Holder (250 Volt)	
	M413544	Fuse Holder (600 Volt)	
7	70123701	Bracket, Fuse Holder (250 Volt)	
	70123801	Bracket, Fuse Holder (600 Volt)	
8	M414230	Transformer	200-240 Volt; 50-60 Hertz; EC, EP, MT, and CD Models
	M414228	Transformer	200-240 Volt; 50-60 Hertz; OM Models
	M414229	Transformer	380-480 Volt; 50-60 Hertz; All Models
9	M405824	Screw	
10	51778	Screw for Motor Relay	
	430497	Screw for Motor Contactor	
REF	M413863	Network Capacitor Assembly	OM/RM Models Only (Not Shown)
	M413930	Ferrite Core	OM/RM Models Only (Not Shown)
	M402917	Ground Screw (Green)	

Accessory Box - Electric

(Non-European Models)



T448PZ3A

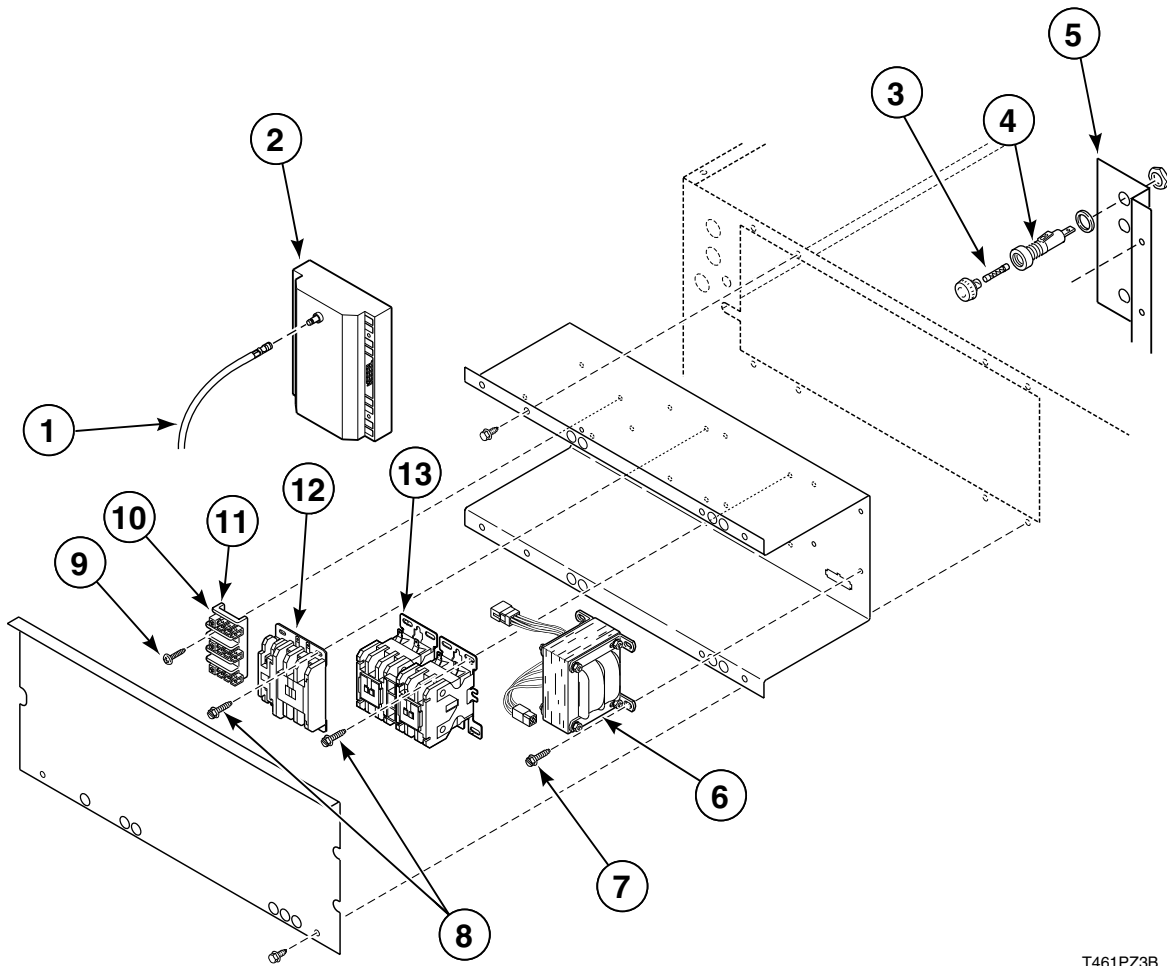
Accessory Box - Electric

(Non-European Models)

REF	PART #	DESCRIPTION	COMMENTS
1	M402917	Screw for Ground Lug	
2	M411283	Ground Lug	
3	M413616	Heater Contactor 3 Pole	2 Required for 200-240 Volt, 1 Required for 380-480 Volt
4	M413865	Power Distribution Block - 3 Pole	
5	32671	Screw	
6	430497	Screw	
7	70174601	Cover, Accessory Box	
REF	M413930	Ferrite Core	OM/RM Models Only (Not Shown)

Control Tray - Gas Reversing

(Non-European Models)



T461PZ3B

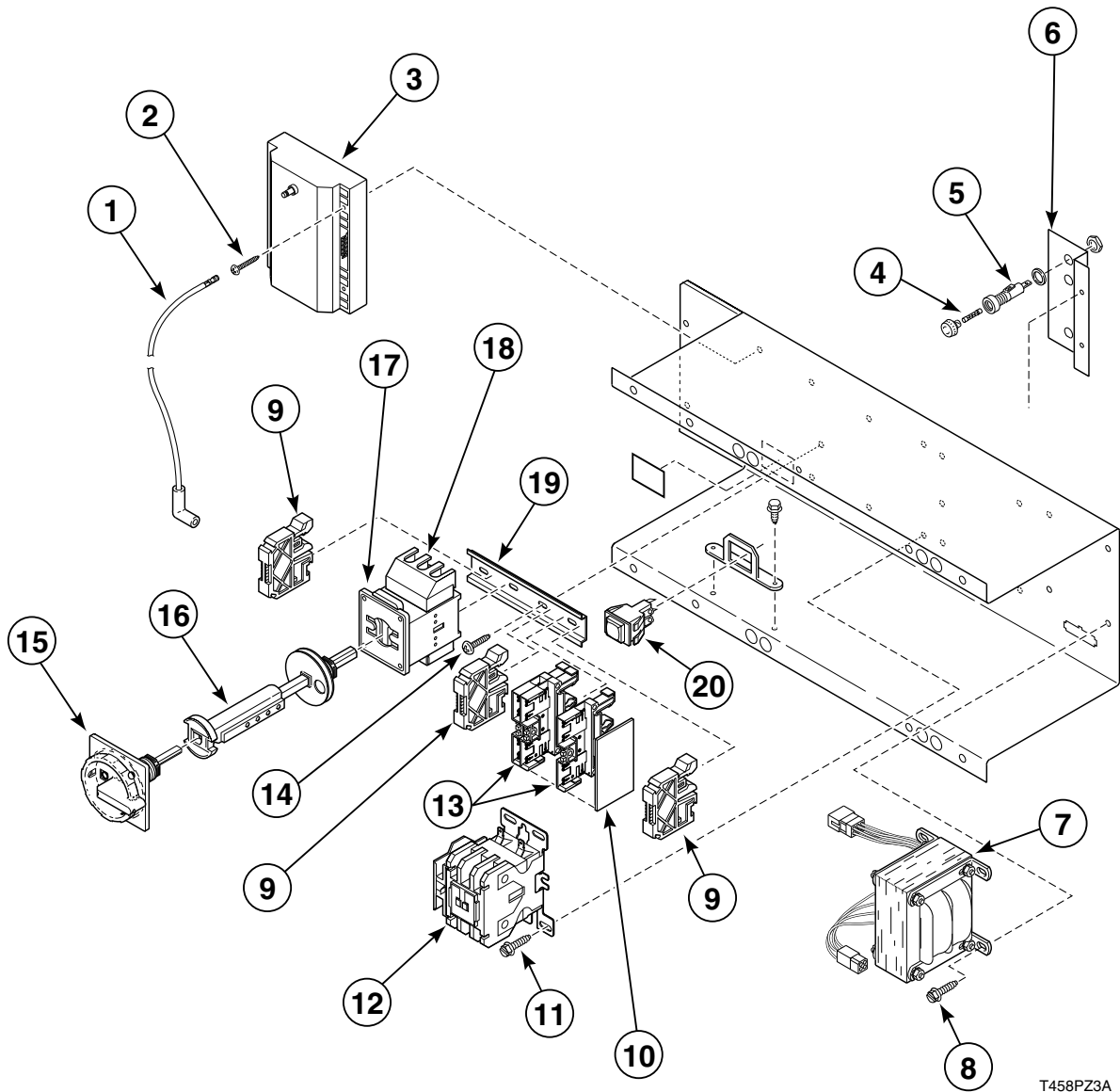
Control Tray - Gas Reversing

(Non-European Models)

REF	PART #	DESCRIPTION	COMMENTS
1	70006201	High Voltage Lead	
2	M413433	Ignition Control	Australian Models
	M413532	Ignition Control	Except Australian Models
3	M413118	Fuse 2 Amp	All 200-240 Volt
	M413621	Fuse 0.5 Amp	All 380-480 Volt
	M414232	Fuse 3.5 Amp	
4	91024	Fuse Holder	
	M413544	Fuse Holder	All 380-480 Volt
5	70123701	Bracket, Fuse Holder - Low Voltage	100-240 Volt
	70123801	Bracket, Fuse Holder - High Voltage	380-480 Volt
6	M414228	Transformer	OM 60 Hertz 1 Phase, All 50 Hertz, All 3 Phase
	M414230	Transformer	All 60 Hertz 1 Phase Except OM
7	M411072	Screw	
8	430497	Screw for Contactor	
	51778	Screw for Relay	
	M411072	Screw	
9	M405824	Screw	
10	430642	Terminal Block	
11	M413862	Insulator for Terminal Block	
12	70210901	Motor Relay - 1 Phase	
	M413614	Motor Contactor - 3 Phase	
13	M413616	Reversing Contactor	
REF	M402917	Ground Screw (Green)	
	M413431	Ignition Reset Switch - Lighted	Australian Models (Not Shown)
	M413863	Network Capacitor Assembly	OM/RM Models (Not Shown)
	M413930	Ferrite Core	OM/RM Models (Not Shown)

Control Tray - Gas

(European Models)



T458PZ3A

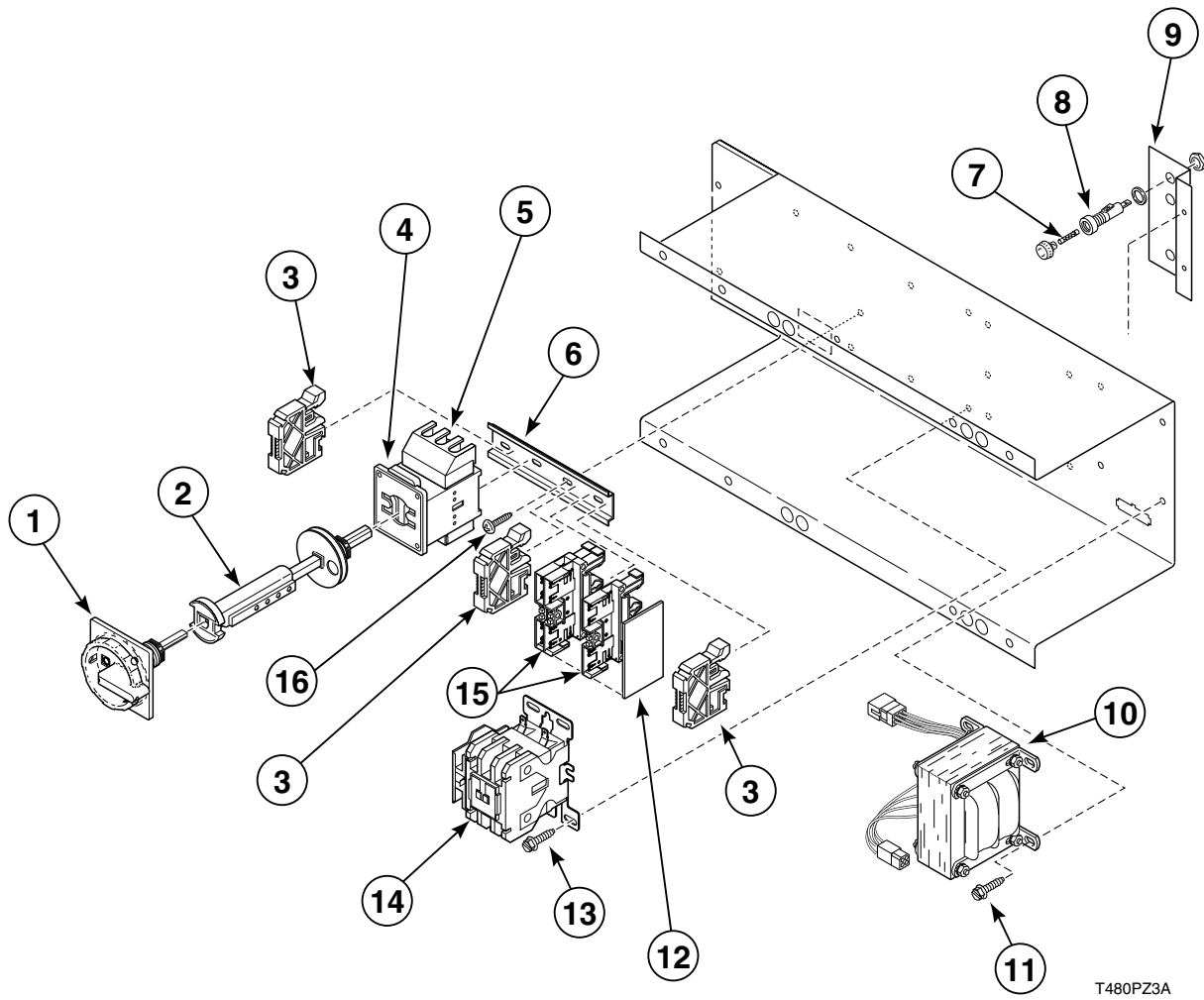
Control Tray - Gas

(European Models)

REF	PART #	DESCRIPTION	COMMENTS
1	70006201	High Tension Lead	
2	70118801	Screw	
3	M413433	Ignition Control	
4	M413621	Fuse 0.5 Amp	380-415 Volt 3 Phase Only
	M413867	Fuse 2 Amp	All 200-230 Volt
	M413889	Fuse 4 Amp	All 3 Phase
	M414232	Fuse 4 Amp	230 Volt 1 Phase Only
5	502591	Fuse Holder - 250 Volt	
	M413544	Fuse Holder - 500 Volt	All 380-415 Volt
6	70123901	Bracket, Fuse Holder	All 200-240 Volt
	70124001	Bracket, Fuse Holder	All 380-415 Volt
7	M414228	Transformer	All 200-240 Volt
	M414229	Transformer	All 380-415 Volt
8	33562	Screw	
9	70121101	Cover End for Terminal Block	3 Required
10	70121001	Terminal Block End	1 Required
11	51780	Screw	
12	M413614	Motor Contactor - 3 Phase	
13	70120001	Terminal Block	3 Required
14	430497	Screw	
15	M412208	Handle	
16	M412368	Interlock	
17	M412187	Disconnect Switch - 20 Amp	
18	M412366	Finger Guard	
19	70144401	Din Rail	
20	M413431	Ignition Reset Switch - Lighted	
REF	M402917	Ground Screw (Green)	(Not Shown)
	M413863	Network Capacitor Assembly	OM/RM Models Only (Not Shown)
	M413930	Ferrite Core	OM/RM Models Only (Not Shown)

Control Tray - Steam

(European Models)



T480PZ3A

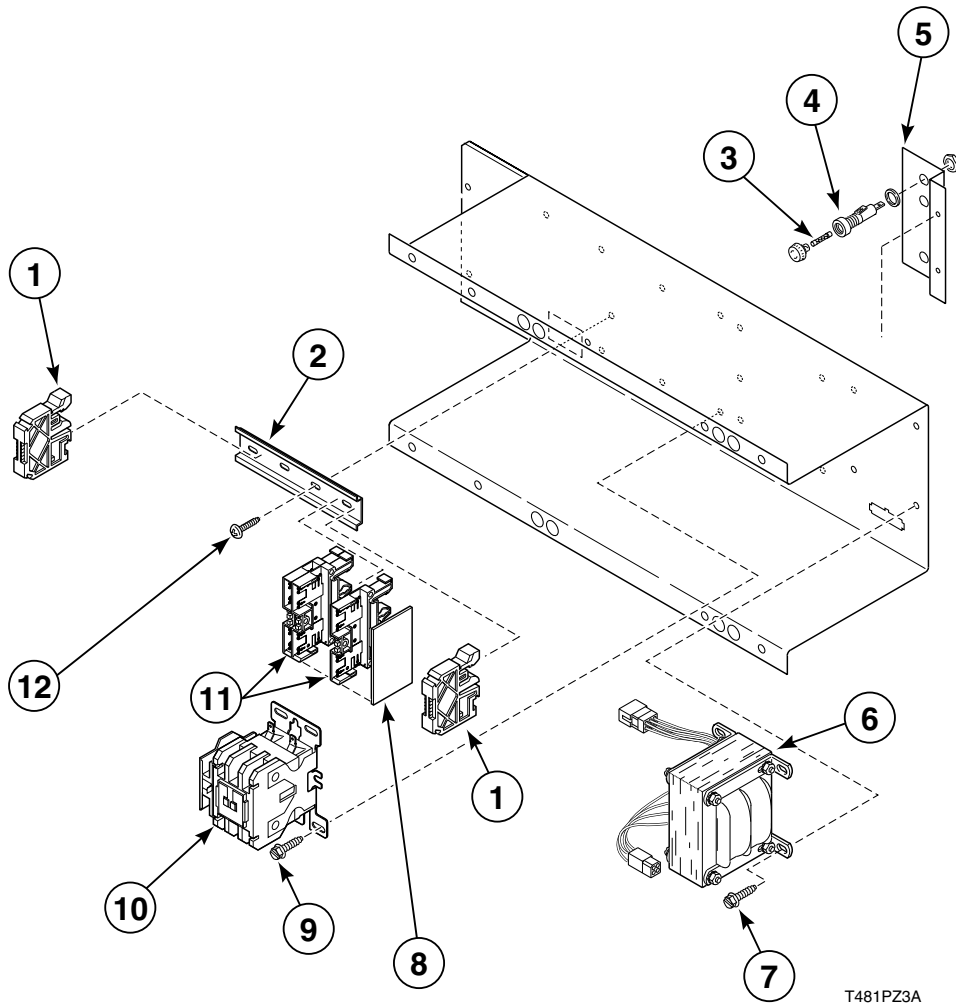
Control Tray - Steam

(European Models)

REF	PART #	DESCRIPTION	COMMENTS
1	M412208	Handle	
2	M412368	Interlock	
3	70121001	End Stop for Terminal Blocks	2 Required
4	M412187	Disconnect Switch 20 Amp	
5	M412366	Finger Guard	
6	70144401	Din Rail	
7	M413621	Fuse 0.5 Amp	380-415 Volt
	M413867	Fuse 2 Amp	200-240/380-415 Volt
	M413889	Fuse 4 Amp	
8	502591	Fuse Holder	
	M413544	Fuse Holder	380-415 Volt
9	70123901	Bracket, Fuse Holder Low Voltage	
	70124001	Bracket, Fuse Holder High Voltage	
10	M414228	Transformer	200-240 Volt
	M414229	Transformer	380-415 Volt
11	M411072	Screw	
12	70121101	Cover End for Terminal Blocks	1 Required
13	51780	Screw	
14	M413614	Motor Contactor	
15	70120001	Terminal Block	3 Required
16	430497	Screw	
REF	M413863	Network Capacitor Assembly	OM/RM Models Only (Not Shown)
	M413930	Ferrite Core	OM/RM Models Only (Not Shown)

Control Tray - Electric

(European Models)



T481PZ3A

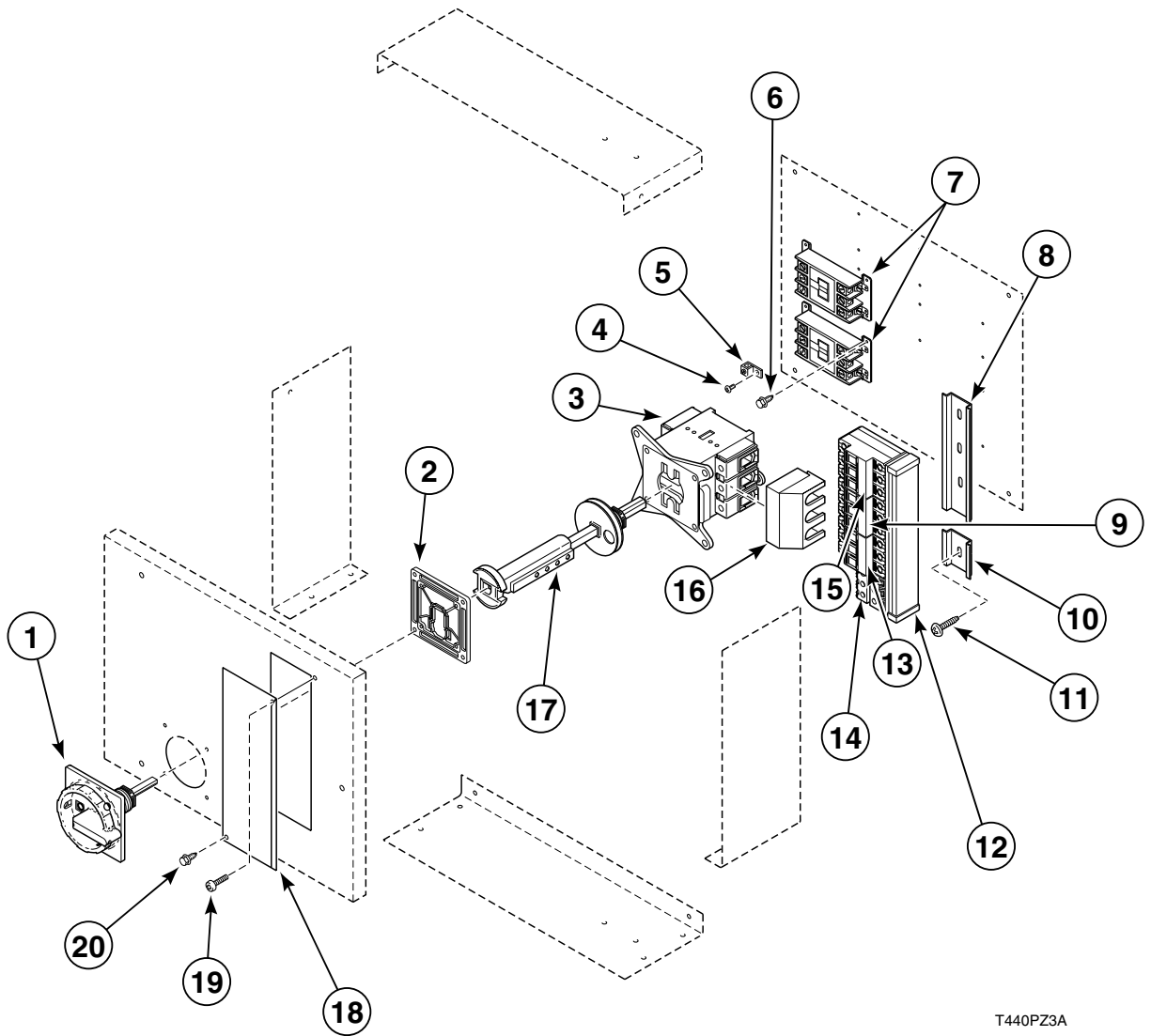
Control Tray - Electric

(European Models)

REF	PART #	DESCRIPTION	COMMENTS
1	70121001	Stop End for Terminal Blocks	
2	70144401	Din Rail	
3	M413889	Fuse 4 Amp	
	M413621	Fuse 0.5 Amp	380-415 Volt Only
	M413867	Fuse 2 Amp	
4	502591	Fuse Holder	
	M413544	Fuse Holder	380-415 Volt
5	70123901	Bracket, Fuse Holder Low Voltage	
	70124001	Bracket, Fuse Holder High Voltage	
6	M414228	Transformer	200-240 Volt 50-60 Hertz OM Models
	M414229	Transformer	380-480 Volt 50-60 Hertz All Models
7	70118801	Screw	
8	70121101	Cover End for Terminal Block	
9	M411072	Screw	
10	M413614	Motor Contactor - 1 and 3 Phase	
11	70120001	Terminal Block	
12	430497	Screw	
REF	M413863	Network Capacitor Assembly	OM/RM Models Only (Not Shown)
	M402917	Ground Screw (Green)	(Not Shown)

Accessory Box - Electric

(European Models)



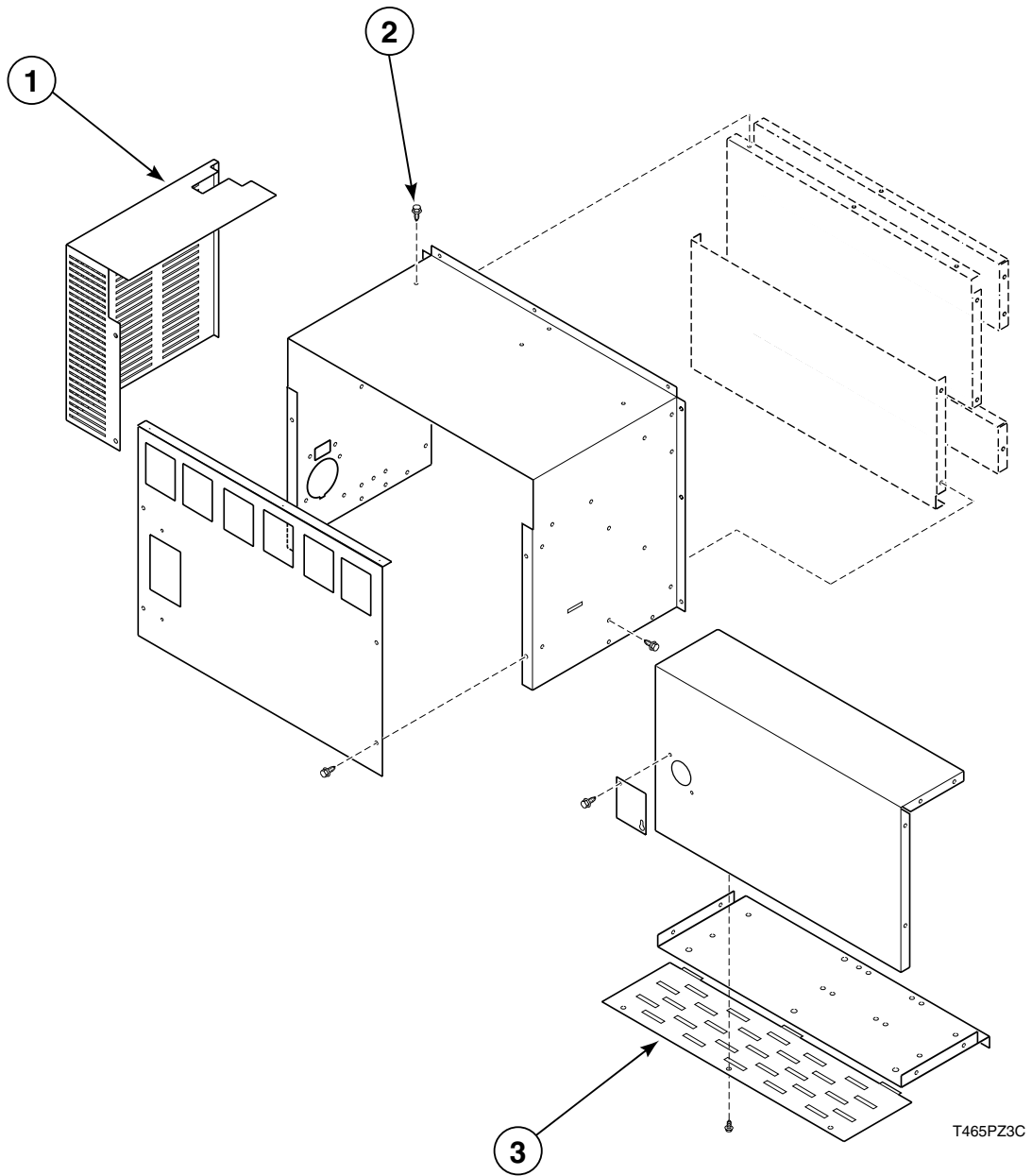
T440PZ3A

Accessory Box - Electric

(European Models)

REF	PART #	DESCRIPTION	COMMENTS
1	M412207	Handle	
2	M412118	Gasket	
3	M412186	Disconnect Switch 100 Amp	
4	M402917	Screw	
5	M411283	Ground Lug	
6	51780	Screw	
7	M413616	Heater Contactor	2 Required for 200-240 Volt, 1 Required for 380-415 Volt
8	M412690	Din Rail 127mm	380-415 Volt/50 Hertz/3 Phase
	M412693	Din Rail 165mm	380-415 Volt/50 Hertz/3 Phase
9	M412045	Terminal Block	230 Volt/50 Hertz/1 Phase
	M412402	Circuit Breaker 32 Amp	0220S 230 Volt/50 Hertz/3 Phase
	M412406	Circuit Breaker 40 Amp	0270S 230 Volt/50 Hertz/3 Phase
	M412407	Circuit Breaker 8 Amp	All 380-415 Volt/50 Hertz/3 Phase
	M412408	Circuit Breaker 50 Amp	0350S 230 Volt/50 Hertz/3 Phase
10	M412692	Din Rail 89mm	All 230 Volt
	M412694	Din Rail 48mm	All 230 Volt
11	430497	Screw	
12	M412754	Busbar Assembly	6 Position - 230 Volt/50 Hertz/1 Phase
	M412755	Busbar Assembly	7 Position - 230 Volt/50 Hertz/1 Phase
	M412756	Busbar Assembly	9 Position - 380-415 Volt/50 Hertz/3 Phase
	M412757	Busbar Assembly	12 Position - 230 Volt/50 Hertz/3 Phase
13	M412045	Terminal Block	230 Volt/50 Hertz/1 Phase and 380-415/50 Hertz/3 Phase
	M412401	Circuit Breaker 8 Amp	All 230 Volt/50 Hertz/1Phase
	M412402	Circuit Breaker 32 Amp	0220S 230 Volt/50 Hertz/1 Phase
	M412406	Circuit Breaker 40 Amp	0270S 230 Volt/50 Hertz/1 Phase
	M412407	Circuit Breaker 8 Amp	All 3 Phase
	M412408	Circuit Breaker 50 Amp	0350S 230 Volt/50 Hertz/1 Phase
14	M412045	Terminal Block	230 Volt/50 Hertz/1 Phase
15	M412402	Circuit Breaker 32 Amp	0220S 230 Volt/50 Hertz/3 Phase
	M412406	Circuit Breaker 40 Amp	0270S 230 Volt/50 Hertz/3 Phase
	M412408	Circuit Breaker 50 Amp	0350S 230 Volt/50 Hertz/3 Phase
16	M412367	Finger Guard	
17	M412369	Interlock	
18	70133901	Access Cover	
19	70058501	Rivet	
20	51780	Screw	

Gas Burner Housing



Gas Burner Housing

REF	PART #	DESCRIPTION	COMMENTS
1	70071501	Cover, Gas Valve	
2	430497	Screw	
3	70188801	Grille, Burner	

Coindrop Assemblies for EC Models

PART #	DESCRIPTION
38462	Assembly Coindrop-Token 118-1
38463	Assembly Coindrop-Token 118-5
38464	Assembly Coindrop-Canada \$.25
38465	Assembly Coindrop-Canada \$.25/1.00
38467	Assembly Coindrop-Australia \$.20/1.00
38469	Assembly Coindrop-Belgium 5/20 BEF
38472	Assembly Coindrop-England 20p/1£
38479	Assembly Coindrop-U.S.A. \$.25 MZP
38517	Assembly Coindrop-Denmark 1/5 DKK
38518	Assembly Coindrop-France 2/10 FRF
38519	Assembly Coindrop-Japan 100/500Yen
38520	Assembly Coindrop-Italy 500 Lira
38521	Assembly Coindrop-Korea 100/500Won
38522	Assembly Coindrop-New Zealand \$.20/1.00
38963	Assembly Coindrop-Token 118-16
38964	Assembly Coindrop-Dual-Taiwan 5NT/10NT
39157	Assembly Coindrop-Israel Shekel
38475	Assembly Coindrop-Japan 100 Yen
38478	Assembly Coindrop- Taiwan 10NT

Rotary Coindrop Assemblies for CD Models

PART #	DESCRIPTION
70112401	Coinmeter, 24 Volt Aust .20
70112501	Coinmeter, 24 Volt Aust 1
70112701	Coinmeter, 24 Volt US \$.25
70137301	Coinmeter, 24 Volt Token118-1 60 Hertz
70137401	Coinmeter, 24 Volt Token 118-5 60 Hertz
70138401	Coinmeter, 24 Volt US \$.25 50 Hertz
70151301	Coinmeter, 24 Volt S Africa .20
M412542	Coinmeter, 24 Volt England 20 p
M412543	Coinmeter, 24 Volt France 2FF
M412544	Coinmeter, 24 Volt Denmark 1 DKK
M412545	Coinmeter, 24 Volt Belgium 5 BEF
M412546	Coinmeter, 24 Volt Token 118-1
M412547	Coinmeter, 24 Volt Token 118-5 50 Hertz
M413195	Coinmeter, 24 Volt France 5 FRF

Gas Burner Orifice Table †

MODEL	ALTITUDE		L.P. GAS	NATURAL GAS
	feet	meters		
0220SFG	0-2,000	0-609	M401015	M402996
	2,001-4,000	610-1220	M403017	M401020
	4,001-6,000	1221-1830	M403017	M402997
	6,001-8,000	1831-2440	M406184	M400998
	8,000-10,000	2441-3050	M401011	M401014
0220SRG	0-2,000	0-609	M403017	M402980
	2,001-4,000	610-1220	M406184	M401000
	4,001-6,000	1221-1830	M406184	M400998
	6,001-8,000	1831-2440	M401011	M401014
	8,000-10,000	2441-3050	M401003	M400997
0270SFG	0-2,000	0-609	70070902	M411511
	2,001-4,000	610-1220	M411375	M411373
	4,001-6,000	1221-1830	M401024	M411374
	6,001-8,000	1831-2440	M411376	M402995
	8,000-10,000	2441-3050	M406361	M401002
0270SRG	0-2,000	0-609	M406361	M401002
	2,001-4,000	610-1220	M403017	M402996
	4,001-6,000	1221-1830	M403017	M402980
	6,001-8,000	1831-2440	M406184	M401000
	8,000-10,000	2441-3050	M401011	M401014
0350SFG	0-2,000	0-609	M401017	70070901
	2,001-4,000	610-1220	M402444	M411509
	4,001-6,000	1221-1830	M402444	M411372
	6,001-8,000	1831-2440	M411512	M411371
	8,000-10,000	2441-3050	M411375	M411374
0350SRG	0-2,000	0-609	M411375	M411511
	2,001-4,000	610-1220	M411376	M411373
	4,001-6,000	1221-1830	M401007	M411374
	6,001-8,000	1831-2440	M401015	M402995
	8,000-10,000	2441-3050	M403017	M401002

†These tables DO NOT apply to European models.

L.P. Gas Kit Table

Model	Altitude		Kit Part Numbers	BTU Input
	feet	meters		
0220SFG	0-2,000	0-609	M4699P3 & M4729P3	67,000
	2,001-4,000	610-1220	M4700P3 & M4729P3	
	4,001-6,000	1221-1830	M4700P3 & M4729P3	
	6,001-8,000	1831-2440	M4701P3 & M4729P3	
	8,001-10,000	2441-3050	M4702P3 & M4729P3	
0220SRG	0-2,000	0-609	M4699P3	64,000
	2,001-4,000	610-1220	M4700P3	
	4,001-6,000	1221-1830	M4700P3	
	6,001-8,000	1831-2440	M4701P3	
	8,001-10,000	2441-3050	M4702P3	
0270SFG	0-2,000	0-609	M4703P3 & M4729P3	88,000
	2,001-4,000	610-1220	M4704P3 & M4729P3	
	4,001-6,000	1221-1830	M4704P3 & M4729P3	
	6,001-8,000	1831-2440	M4705P3 & M4729P3	
	8,001-10,000	2441-3050	M4706P3 & M4729P3	
0270SRG	0-2,000	0-609	M4703P3	73,000
	2,001-4,000	610-1220	M4704P3	
	4,001-6,000	1221-1830	M4704P3	
	6,001-8,000	1831-2440	M4705P3	
	8,001-10,000	2441-3050	M4706P3	
0350SFG	0-2,000	0-609	M4711P3 & M4729P3	107,000
	2,001-4,000	610-1220	M4712P3 & M4729P3	
	4,001-6,000	1221-1830	M4713P3 & M4729P3	
	6,001-8,000	1831-2440	M4714P3 & M4729P3	
	8,001-10,000	2441-3050	M4715P3 & M4729P3	
0350SRG	0-2,000	0-609	M4711P3	90,000
	2,001-4,000	610-1220	M4712P3	
	4,001-6,000	1221-1830	M4713P3	
	6,001-8,000	1831-2440	M4714P3	
	8,001-10,000	2441-3050	M4715P3	

Reversing Motors (0350S Models Only)

HEAT SOURCE	SERIAL PLATE VOLTAGE	BLOWER MOTOR	RG CYLINDER MOTOR†	FG CYLINDER MOTOR‡
Gas and Steam	100 Volt/60 Hertz/ 1 Phase	70020201	70062501	70062501
	120 Volt/60 Hertz/ 1 Phase			
Electric	200-208 Volt/60Hz/ 3 Phase	70020201	70062501	70062501
	200 Volt/60Hz/ 1 Phase			
	208 Volt/60 Hertz/ 1 Phase			
	240 Volt/60 Hertz/1 or 3 Phase			
Gas and Steam	100 Volt/50 Hertz/ 1 Phase	70020201	70191501	70062502
Electric	200 Volt/50 Hertz/1 or 3 Phase	70020201	70191501	70062502
Gas and Steam	240 Volt/60 Hertz/ 3 Phase	70069501	70062802	70062802
Gas, Steam and Electric	460-480 Volt/60 Hertz/ 3 Phase	70069501	70062802	70062802
Gas and Steam	200 Volt/50 Hertz/ 3 Phase	70069501	70191701	70062803
Gas, Steam and Electric	380 Volt/50 Hertz/ 3 Phase	70069501	70191701	70062803
Electric	400-415 Volt/50 Hertz/ 3 Phase	70069501	70191701	70062803
Gas and Steam	230-240 Volt/50 Hertz/ 3 Phase	70069501	70191801	70062902
	230 Volt/50 Hertz/ 3 Phase			
Electric	230-240 Volt/50 Hertz/ 3 Phase	70070001	70191601	70062601
Gas, Steam and Electric	230 Volt/50 Hertz/ 1 Phase or 3 Phase	70070001	70191601	70062601
	230-240 Volt/50 Hertz/ 1 Phase			

Non-Reversing Motors

HEAT SOURCE	SERIAL PLATE VOLTAGE	BLOWER MOTOR	RG CYLINDER MOTOR†	FG CYLINDER MOTOR‡
Gas and Steam	100 Volt/ 50 or 60 Hertz/ 1 Phase	70020201	70168301	70052301
	120 Volt/60 Hertz/ 1 Phase			
Electric	200-208 Volt/60 Hertz/ 3 Phase	70020201	70168301	70052301
	200 Volt/50 Hertz/1 or 3 Phase			
	200/208/240 Volt/60 Hertz/1 or 3 Phase			
Gas and Steam	200 Volt/50 Hertz/ 3 Phase	70069501	70062801	70062801
Gas, Steam, Electric	380 Volt/50 Hertz/ 3 Phase	70069501	70062801	70062801
	460-480 Volt/60 Hertz/ 3 Phase			
Electric	400-415 Volt/50 Hertz/ 3 Phase	70069501	70062801	70062801
Gas and Steam	240 Volt/60 Hertz/ 3 Phase	70069501	70062801	70062802
Gas and Steam	230-240 Volt/50 Hertz/ 3 Phase	70069501	70062901	70062701
Gas and Steam	230 Volt/50 Hertz/ 3 Phase	70069501	70062901	70062901
Gas, Steam, Electric	230-240 Volt/50 Hertz/ 1 Phase	70070001	70171601	70062701
Electric	230-240 Volt/50 Hertz/ 3 Phase	70070001	70171601	70062701
Gas, Steam, Electric	230 Volt/50 Hertz/ 1 Phase	70070001	70171601	70171601

†Motor to be used with bracket 70182801 (2 pieces - 3 Phase rigid mount, 1 Phase resilient mount.)

‡Motor to be used with bracket 70013101 (1 piece - rigid mount)

Wire Harness Table

Part No.	Description	From - To	Used On
431611	Dual Drop Harness Assembly	Dual Drop to EDC Control	All Dual Drop EDC Models
431613	Card Reader Harness Assembly	Card Reader to EDC Control	All Card Reader EDC Models
70055801	EDC Control Panel Harness	Control Panel to Main Harness	All Non-European models with EDC Controls
70082501	MT Control Panel Harness	Control Panel to Main Harness	All Manual Timer models
70082601	CD Control Panel Harness	Control Panel to Main Harness	All Rotary Coindrop models
70082701	EU EDC Control Panel Harness	Control Panel to Main Harness	All European models with EDC Control
70082801	OM/RM Control Panel Harness	Control Panel to Main Harness	All OM and RM Models (Non EU)
70082901	OM/RM Control Panel Harness	Control Panel to Main Harness	All European OM and RM Models
70067001	Main Interlock Harness	Front to Rear Control Tray	All Models
70083001	Control Tray Harness	Connects Control Tray to Interlock Harness	All Non-Reversing Models
70083201	Ignition Control Harness	Interlock Harness to Ignition Control	All Gas Models except European and Australian
70083301	Ignition Control Harness	Interlock Harness to Ignition Control	All European and Australian Gas Models
70084101	MT/CD Temperature Board Configuration Harness	Temperature Control Board to Temperature Switch	All 0220S & 0270S MT and CD Models
70084102	MT/CD Temperature Board Configuration Harness	Temperature Control Board to Temperature Switch	All 0350S MT and CD Models
70084201	EDC Temperature Board Configuration Harness	Temperature Control Board to Temperature Switch	All 0220S & 0270S EDC Models
70084202	EDC Temperature Board Configuration Harness	Temperature Control Board to Temperature Switch	All 0350S EDC Models
70084301	OM Temperature Board Configuration Harness	Temperature Control Board to Temperature Switch	All 0350S OM Models
70084302	RM Temperature Board Configuration Harness	Temperature Control Board to Temperature Switch	All 0350S RM Models
70084303	OM Temperature Board Configuration Harness	Temperature Control Board to Temperature Switch	All 0220S & 0270S OM Models
70113101	Steam Jumper Harness	Plugs Into Junction Box Harness	All Steam Models
M413997	Steam Valve Harness	Junction Box Harness to Steam Valve	All Steam Models
70055901	1 Phase Electric Power Harness	Terminal Block to Relay	All 1 Phase Electric Models
70120201	3 Phase Electric Power Harness	Terminal Block to Relay	All 3 Phase Electric Models
70138601	Electric Heater Cable Set (H1-H3)	Heater Contactor to Elements	All Electric Models
70138701	Electric Heater Cable Set (H4-H6)	Heater Contactor to Elements	All Electric Models
70139401	Electric Power Buss Harness	Control Tray to Accessory Box	All Electric Models
70142501	Electric Power Buss Harness	Connects Power Buss to Interlock Harness	All Electric Models
M413504	100 Volt Transformer Configuration Harness	Transformer Primary to Junction Box Harness	100 Volt/ 50-60 Hertz/ 1 Phase Gas and Steam Models
M413505	120 Volt Transformer Configuration Harness	Transformer Primary to Junction Box Harness	120 Volt/ 50-60 Hertz/ 1 Phase Gas and Steam OM/RM Models
M413506	208 Volt Transformer Configuration Harness	Transformer Primary to Junction Box Harness	208 Volt/ 60 Hertz/ 1 and 3 Phase Gas and Electric Models
M413507	240 Volt Transformer Configuration Harness	Transformer Primary to Junction Box Harness	EU Gas and Steam 230 Volt/50Hertz/1 Phase; Gas, Steam and Electric 230-240 Volt/ 50-60 Hertz/ 3 Phase
M413508	380 Volt Transformer Configuration Harness	Transformer Primary to Junction Box Harness	380 Volt/ 50 Hertz/ 3 Phase Gas, Steam and Electric Models

Part No.	Description	From - To	Used On
M413509	415 Volt Transformer Configuration Harness	Transformer Primary to Junction Box Harness	415 Volt/ 50 Hertz/ 3 Phase Gas, Steam and Electric Models
M413510	480 Volt Transformer Configuration Harness	Transformer Primary to Junction Box Harness	480 Volt/ 60 Hertz/ 3 Phase Gas, Steam and Electric Models
70083401	1 Phase Fan Motor Harness	Junction Box to Fan Motor	1 Phase Models
70083501	3 Phase Fan Motor Harness	Junction Box to Fan Motor	3 Phase Models
70053601	1 Phase Cylinder Motor Harness	Junction Box to Cylinder Motor	1 Phase Non-reversing Models
70083701	3 Phase Cylinder Motor Harness	Junction Box to Cylinder Motor	3 Phase Models
70083801	Coin Vault Switch Harness	Main Harness to Coin Vault Switch	All Coin Models with EDC
70084001	Bypass Jumper Assembly	Plugs into Main Harness- Eliminates Coin Vault Circuitry	All MT and OM Non-European and all Cardreader models
70120101	Emergency Stop Switch Harness (2 Pole)	Main Harness to Emergency Stop Switch	All EU Manual Timer Models
70083901	Emergency Stop Switch Harness	Main Harness to Emergency Stop Switch	All EU MT, OM and RM Models
70120901	Jumper Disconnect Assembly	Disconnect Switch to Terminal Block	All European Gas and Steam Models
70121201	EU Door Switch Harness		All European Models
M413650	Gas Valve Harness		Gas Models
70083101	Control Tray Harness	Connects Control Tray to Interlock Harness	All 0350S Reversing Models
70083601	Reversing Cylinder Motor Harness - 1 Phase	Junction Box to Fan Motor	All 1 Phase 0350S Reversing Models
70120701	Low Voltage Motor Configuration Jumper		100-120 Volt 0350S RM Models
70120801	High Voltage Motor Configuration Jumper		200-240 Volt 0350S RM Models
70139201	Light Blue Jumper Wire		All 1 Phase 0350S Reversing Models
M413883	2 Wire Jumper Set Assembly		All 200-240 Volt Electric models
M413933	8 Gauge Jumper Wire (7.5)		200-240 Volt Non European Electric Models; 1 Phase (2 required) 3 Phase (3 required)
M413934	8 Gauge Jumper Wire (8.00)		380-415 Volt European Electric Models; 1 Phase (1 Required) 3 Phase (3 Required)
M414121	8 Gauge Jumper Wire (6.75)		All Electric Models with 1 Phase Motors
M413624	3 Phase Reversing Control Jumper (Upper)		3 Phase 0350S Reversing Models except 240 Volt or less
M413694	1 Phase Reversing Control Jumper (Upper)		1 Phase 0350S Reversing Models except 240 Volt or less
M413625	3 Phase Reversing Control Jumper (Lower)		3 Phase 0350S Reversing Models except 240 Volt or less
M413695	1 Phase Reversing Control Jumper (Lower)		1 Phase 0350S Reversing Models except 240 Volt or less
70138801	6 Gauge Single Wire Jumper (8.00)		All 3 Phase Electric European Models
70138901	2 Gauge Single Wire Jumper (7.5)		All 230 Volt/ 50 Hertz/ 1 Phase Electric European Models
70139001	8 Gauge Single Wire Jumper (10.00)		All 200-240 Volt Electric Non European Models 1 Phase (2 Required) 3 Phase (3 Required)
70139101	8 Gauge Single Wire Jumper (11.00)		All 1 Phase Electric Non-European Models

False Fronts

The following False Fronts are available to raise the height of the tumblers to match the height of existing equipment		
PART NO.	DESCRIPTION	COMMENTS
70000501*	False Front - 72" Painted	0220S/0270S Models
70000502	False Front - 72" Stainless Steel	0220S/0270S Models
70024201*	False Front - 76" Painted	0220S/0270S Models
70024202	False Front - 76" Stainless Steel	0220S/0270S Models
70021101*	False Front - 72" Painted	0350S Models
70021202	False Front - 72" Stainless Steel	0350S Models
70024001*	False Front - 76" Painted	0350S Models
70024002	False Front - 76" Stainless Steel	0350S Models

* Add letter to designate color.

V – Orange
 K – Red
 L – Almond
 W – White

B – Battina Green
 H – Harvest Gold
 X – Electric Blue
 P – Turquoise

Parts Index

A

Access Cover	
70133901	55
70144601	27
Acorn Nut for Door Strike	
M400645	21
Air Filter	
70036001	35
Air Flow Switch	
70068701	29
Air Flow Switch Shutter	
70203301	29
Air Flow Vane	
70068901	29
Arm	
70030301	17
Assembly Coindrop	
Australia - 38467	58
Belgium - 38469	58
Canada - 38464	58
Canada - 38465	58
Denmark - 38517	58
Dual-Taiwan - 38964	58
England - 38472	58
France - 38518	58
Israel - 39157	58
Italy - 38520	58
Japan - 38475	58
Japan - 38519	58
Korea - 38521	58
New Zealand - 38522	58
Taiwan - 38478	58
Token - 38462	58
Token - 38463	58
Token - 38963	58
U.S.A. - 38479	58
Assembly, Bumper for Lint Panel	
70154401 (Black)	17
70154402 I (Dark Gray)	17
70154403 (Black)	17
70154404 (Dark Gray)	17
Assembly, Center Partition Seal	
70066001	19
70066002	19
Assembly, Fan	
70123301	27
Assembly, Micro Control	
M413498P	13
Assembly, Mounting Bracket with Studs	
70175803	11
Assembly, Mounting Plate with Studs	
70175801	5
70175802	7
70175804	9
70175805	13
70175806	13

B

Baffle	
70015101 (Lower Right)	19
70015201 (Lower Left)	19
70022001 (Upper Right)	19
70022101 (Upper Left)	19
70022201 (Lower Left)	19
70022301 (Lower Right)	19
Bearing	
430038	23
Bearing Housing	
70013901	23
Belt, Poly V	
70053104	25
70053105	25
Bezel for Nameplate	
70117401	15
Bolt	
70062401	27
70189201	23
Bolt, Carriage	
70062401	25
Bpt/npt Adapter	
70131901	31
Bracket	
70063501	9, 11
70080701	9, 11
70188301	29
Bracket - EU Door Switch	
70119301	15
Bracket, Fuse Holder	
70123701 (Low Voltage)	39, 41, 43, 47
70123801 (High Voltage)	39, 41, 43, 47
70123901 (Low Voltage)	49, 51, 53
70124001 (High Voltage)	49, 51, 53
Bracket, Idler Pivot	
70200901	25
Bracket, Idler Wheel	
70131101	25
Bracket, Lint Panel Switch	
70019301	19
Bracket, Relay	
70063501	13
Bracket, Thermostat	
70137801	35
Burner Grill	
70188801	29
Burner Orifice, LP Gas	
M401003	59
M401007	59
M401011	59
M401015	59
M401024	59
M402444	59
M403017	59
M406184	59
M406361	59
M411375	59
M411376	59
M411512	59
70070902	59

Burner Orifice, Natural Gas	
M400997	59
M400998	59
M401000	59
M401002	59
M401014	59
M401020	59
M402980	59
M402995	59
M402996	59
M402997	59
M411371	59
M411372	59
M411373	59
M411509	59
M411511	59
70070901	59
Busbar Assembly	
M412754	55
M412755	55
M412756	55
M412757	55
Bushing	
70027701	25

C

Cabinet High Limit Thermostat	
Not Shown.....	25
Cap Screw	
430648	25
Card Reader Control	
39685	7
Card Reader Mounting Bracket	
M414120	7
Chassis Mounting Bracket	
M414119	7
Circuit Breaker	
M412401	55
M412402	55
M412406	55
M412407	55
M412408	55
Clip	
M400972	9
70054501	19
Clip, Center Partition Seal	
70014003	19, 23
Clip, Front Panel Screws	
70030501	15
Clip, Trim Pieces	
M400972	15
Close Nipple	
431486	31
Coil	
70205701	37
Coin Chute	
70216201P	19
Coin Vault	
70180101	19
Coindrop	
See Table Page 58	
Cover	
70143501	29

Cover End for Terminal Block	
70121101	49, 53
Cover End for Terminal Blocks	
70121101	51
Cover, Accessory Box	
70174601	45
Cover, Gas Valve	
70071501	57
Cover, Thermostat	
70139901	35
Cylinder Assembly - Galvanized	
70174901	23
70175001	23
70175201	23
Cylinder Assembly - Stainless Steel	
70174902	23
70175002	23
70175202	23
Cylinder Channel	
70190601	23
70190701	23
Cylinder Roller	
70052601	19
Cylinder Seal - Center	
70066001	23
70066002	23
Cylinder Seal - Rear	
70013701	23
70013702	23

D

Damper	
70201201	27
Din Rail	
M412690	55
M412692	55
M412693	55
M412694	55
70144401	49, 51, 53
Disconnect Switch	
M412186)	55
M412187	49, 51
Door Assembly Complete	
70176501	21
70176502	21
70176503	21
70176504	21
Door Catch	
M401223	15
Door Glass	
M400784	21
70133601	21
Door Glass Seal	
70030901	21
Door Handle	
M400133	21
430117	21
70024801	21
70133501	21
Door Hinge - Painted	
70115901*	21
70116001*	21

Door Hinge - Stainless Steel	
70115902	21
70116002	21
Door Rim Gasket	
70131601	21
Door Strike Screw	
M400661	21
Door Switch	
70107001	15
70125101 (EU)	15
Door Switch Actuator	
70108301	21
Drive Access Cover	
70196301	25

E

Elbow	
70079601	31
Electronic Coin Control Kit	
M4686P3	5
M4687P3	5
Electronic Control	
M414049P	5, 7
Electronic OPL Control Kit	
M4695P3	13
† M4689P3	13
End Cap - Cylinder Baffle	
70070101	23
End Stop for Terminal Blocks	
70121001	51

F

False Front	
70000501* (72" Painted)	64
70000502 (72" Stainless Steel)	64
70021101* (72" Painted)	64
70021202 (72" Stainless Steel)	64
70024001* (76" Painted)	64
70024002 (76" Stainless Steel)	64
70024201* (76" Painted)	64
70024202 (76" Stainless Steel)	64
Felt Seal	
70193801	23
Ferrite Core	
M413930	39, 41, 43, 45, 47, 49, 51
Finger Guard	
M412366	49, 51
M412367	55
Flat Top, Galve	
70000301	19
70018601	19
70059801	19
Front Panel - Card Reader	
70176203* (Painted)	15
70176204 (Stainless Steel)	15
70176303* (Painted)	15
70176304 (Stainless Steel)	15
Front Panel - Coin	
70176201* (Painted)	15
70176202 (Stainless Steel)	15
70176207* (EU - Painted)	15

70176208 (EU - Stainless Steel)	15
70176301* (Painted)	15
70176302 (Stainless Steel)	15
70176307* (EU - Painted)	15
70176308 (EU - Stainless Steel)	15
Front Panel - OPL	
70176205* (Painted)	15
70176206 (Stainless Steel)	15
70176209* (EU - Painted)	15
70176210 (EU - Stainless Steel)	15
70176305* (Painted)	15
70176306 (Stainless Steel)	15
70176309* (EU - Painted)	15
70176310 (EU - Stainless Steel)	15

Fuse

M413118	39, 41, 43, 47
M413621	39, 41, 43, 47, 49, 51, 53
M413623	43
M413867	51, 53
M413867)	49
M413889	49, 51, 53
M414103	13
M414232	39, 41, 43, 47, 49

Fuse Holder

M413544	39, 41, 43, 47, 49, 51, 53
502591	49, 51, 53
91024	39, 41, 43, 47

G

Gas Burner	
70032701	29
70184801	29
Gas Valve - Regulated	
M4733P3	31
70188601	31
Gas Valve - Unregulated	
M4734P3	31
70188701	31
Gas Valve Bracket	
70210301	31
Gas Valve Coil	
70186701	31
Gasket	
M412118	55
70015702	19
Gasket - Lower Baffles	
70015701	19
70015703	19
Gasket - Upper Baffles	
70015701	19
Grille, Burner	
70188801	57
Ground Lug	
M411283	45, 55
Ground Screw	
M402917	39, 41, 43, 47, 49, 53

H

Handle	
M412207	55
M412208	49, 51

Heater Contactor	
M413616	45, 55
Heater Element	
70034401	33
70034402	33
70034403	33
70034404	33
70034405	33
70034406	33
70034407	33
70034408	33
70034409	33
70034410	33
70034411	33
70034412	33
70034413	33
70034414	33
70034415	33
70034416	33
High Tension Lead	
70006201	39, 49
High Voltage Lead	
70006201	47
Hinge	
503676	27
Hinge Bushing	
70071101	21
Hinge Cam	
70174801	21
Hinge Lug - Long	
70174701	21
Hinge Pin	
70071401	21

I

Idler Wheel	
70050401	25
Ignition Control	
M413433	39, 47, 49
M413532	39, 47
Ignition Reset Switch - Lighted	
M413431	39, 47, 49
Insulator, Terminal Block	
M413862	39, 41, 43, 47
Interlock	
M412368	49, 51
M412369	55

J

Jamnut	
M400022	23, 27
Jumper Bar	
70066501	33

K

Keps Nuts	
29786	25
Key for Lock	
70155601	15

70155602	15
Key, Straight	
70144101	27
Kickplate	
70117601 (Black)	17
70117602 (Dark Gray)	17
70117603 (Black)	17
70117604 (Dark Gray)	17
Knob, Temperature Control	
431357	9, 11
70080601	9, 11
Knob, Timer	
M410927	11
70082101	11

L

Leveling Leg	
34319	19
Lint Panel - Coin	
70176601* (Painted)	17
70176602 (Stainless Steel)	17
70176701* (Painted)	17
70176702 (Stainless Steel)	17
Lint Panel with Roller Catch - OPL	
70176603* (Painted)	17
70176604 (Stainless Steel)	17
70176703* (Painted)	17
70176704 (Stainless Steel)	17
Lint Screen	
70173301	19
Lockwasher	
M400013	23
Lock, Control Door	
70155501	15
Lock, Lint Panel	
70155502	15
L.P. Gas Kit	
M4699P3	60
M4700P3	60
M4701P3	60
M4702P3	60
M4703P3	60
M4704P3	60
M4705P3	60
M4706P3	60
M4711P3	60
M4712P3	60
M4713P3	60
M4714P3	60
M4715P3	60

M

Manual Shutoff Valve	
M412562	31
Manual Timer Control Kit	
M4690P3	11
Motor Bracket Assembly	
70197101	25
Motor Contactor	
M413614	39, 41, 43, 47, 49, 51, 53

Motor Mounting Plate 70012001	27
Motor Pivot Channel 70194401	25
Motor Pivot Plate Assembly 70182901	25
Motor Pulley 70189101	25
70189102	25
70189103	25
70189104	25
Motor Relay 70210901	39, 41, 43, 47
Motor, Cylinder Drive See Table Page 61	

N

Nameplate Overlay 70115601	15
70128301	15
Network Capacitor Assembly M413863	39, 41, 43, 47, 49, 51, 53
Nut M400977	11
M412986	23, 25, 27
21899	19
23951	17
430576	19
56156	25, 27
70054	5, 7, 9, 11, 13, 21, 33
70072901	15, 19
70142	23, 25

O

O Ring 431482	31
Overlay, Card Reader 70113801	7
70128801	7
Overlay, Control 70113501	9
70114201	11
70114301	9
70114501	11
70130201	11
70131001	9
70134601	11
70134801	9
70134901	11
70135301	13
Overlay, Electronic Control 70113701	5
70128001	5
70128501	5
70130101	5
70130801	5
70173601	5
Overlay, Micro Control 70115801	13
70128401	13
70128601	13
70128701	13

70130301	13
70130401	13
70130501	13
70130601	13
70130701	13

P

Palnut M400034	23, 27
Panel Locator 56079	15, 17, 27
Pipe Nipple 70139601	31
Pivot Shaft 70012501	25
Plastic Cap 70063201	19
Pop Rivet M400003	15
70126301 (Black)	17
70126401 (Gray)	17
Power Distribution Block M413865	45

R

Rear Seal Support 70015301	23
Relay M412534	9, 11, 13
Reversing Contactor M413616	47
Rivet 70058501	55
Roller Shaft 70017701	19
Rotary Coin Drop Control Kit M4688P3	9
Rotary Coindrop See Table Page 58	
Run Lights 70082201	9, 11

S

Screw M401938	15, 19, 29
M402797	9, 11, 13
M402917	55
M405824	39, 41, 43, 47
M411052	11
M411072	27, 41, 43, 47, 51, 53
M412985	25
05161	29
23222	31
32671	15, 17, 25, 27, 45
33562	39, 49
430497 ..	15, 19, 27, 29, 33, 45, 47, 49, 51, 53, 55, 57
501524	21
51778	47
51780	29, 33, 49, 51, 55

61199	21
62588	23
70072801	17
70113001	17, 21
70118801	39, 49, 53
70132301	15
Screw for Contactor	
430497	41
51780	39
Screw for Ground Lug	
M402917	45
Screw for Motor Contactor	
430497	43
Screw for Motor Relay	
51778	43
Screw for Relay	
51778	39, 41
Screw, Allen Head	
70033502	21
Screw, For Mounting EDC Control	
501524	5
Screw, Hex Washer Head	
70126101	27
Screw, Mounting For Electronic Control	
501524	7
Shroud for Coindrop	
70061701	9
Spacer	
70030201	17
Spark Electrode	
70032801	29
Spring Tension Bracket	
70202001	27
Spring, Belt Tension	
70051401	25
Spud Adapter	
70226101	31
Standoff for Relay Bracket	
34896	13
Standoff for Temperature Control	
34896	9, 11
Start Switch	
70108501	9, 11
Steam Coil	
70035801	35
70035901	35
Steam Solenoid Valve	
M413445	37
70205601	37
Stop End for Terminal Blocks	
70121001	53
Stud Plate	
430352	23
Switch, Lint Panel	
70016001	19
Switch, Push Button	
70107001	5, 7

T

Temperature Control	
431347	9, 11

Temperature Switch	
431353	9, 11
Terminal Block	
M412045	55
430642	39, 41, 43, 47
70120001	49, 51, 53
Terminal Block End	
70121001	49
Thermal Shield	
70036601	19
Thermister Assembly	
M411758	27
Thermistor	
Not Shown	25
Thermistor Assembly	
M411758	27
Thermostat, Heater Limit	
M410220	33
Thermostat, High Limit	
M411307	27
70186401	27
Thermostat, High-Limit	
M411307	27
70186401	27
Thermostat, Hi-Limit	
M409443	35
Thermostat, Stove High Limit	
M409219	29
70186301	29
Thermostat, Stove Limit	
M409433	29
M409443	29
M411938	29
Thimble, Exhaust	
70015601	27
70017801	27
Timer, Cooling	
70131801	11
Timer, Heat	
70131701	11
Top Access Panel - Painted	
70121301*	15
70121401*	15
70121501*	15
70121601*	15
Top Access Panel - Stainless Steel	
70121302	15
70121402	15
70121502	15
70121602	15
Transformer	
M414228	39, 41, 43, 47, 49, 51, 53
M414229	43, 49, 51, 53
M414230	39, 41, 43, 47
Trim, Coin Vault	
70117501 (Gray)	15
70117502 (Black)	15
70117503 (White)	15
Trim, Control	
70117201	15
70117301	15
Trunnion Shaft	
70189301	23
Twin Speed Nut	
M400979	29

U

U-Bolt	
70186101	25
Union	
H86000031	31

W

Washer	
H88510516	15
M400991	23, 27
M405535	9
Wheel	
70030101	17
Wire Harness	
M413504	62
M413505	62
M413506	62
M413507	62
M413508	62
M413509	63
M413510	63
M413624	63
M413625	63
M413650	63
M413694	63
M413695	63
M413883	63
M413933	63
M413934	63
M413997	62
M414121	63
431611	62
431613	62
70053601	63
70055801	62
70055901	62
70067001	62
70082501	62
70082601	62
70082701	62
70082801	62
70082901	62
70083001	62
70083101	63
70083201	62
70083301	62
70083401	63
70083501	63
70083601	63
70083701	63
70083801	63
70083901	63
70084001	63
70084101	62
70084102	62
70084201	62
70084202	62
70084301	62
70084302	62
70084303	62
70113101	62
70120101	63
70120201	62
70120701	63

70120801	63
70120901	63
70121201	63
70138601	62
70138701	62
70138801	63
70138901	63
70139001	63
70139101	63
70139201	63
70139401	62
70142501	62