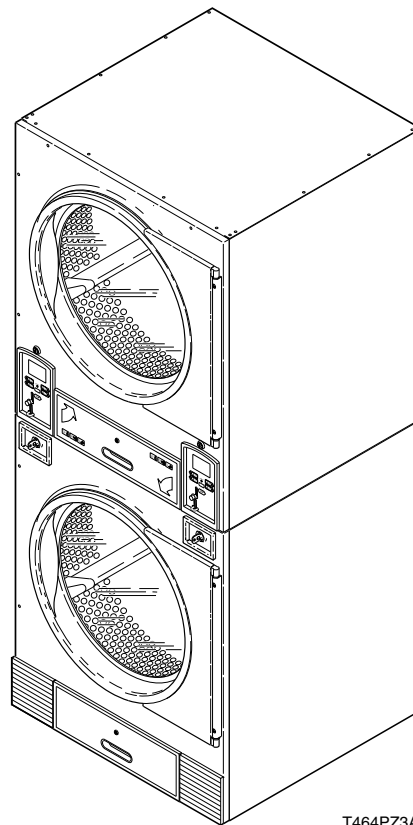


Drying Tumblers

Stacked 30 Pound (300 Liter) Capacity

Refer to Page 2 for Model Numbers



T464PZ3A

Table of Contents

Title	Page
Parts Ordering Information	2
Nameplate Location	2
Model Identification	3
Electronic Coindrop Models	4
Card Reader Control Components	6
Rotary Coindrop Components	8
Manual Dual Timer Control	10
Front Panel Components	12
Upper Cylinder Support Components	14
Lower Cylinder Support Components	16
Lint Drawer Components	18
Door and Hinge Components	20
Cylinder, Trunnion and Bearing	22
Drive Motor Components	24
Blower and Exhaust Components	26
Gas Burner Components	28
Gas Valve and Piping	30
Electric Heater Components	32
Steam Heater Components	34
Rear Control Box – Gas	36
Rear Control Box – Steam	38
Rear Control Box – Electric	40
Rear Control Box – Gas	42
Rear Control Box – Steam	44
Rear Control Box – Electric	46
Gas Burner Housing	48
Coindrop Assemblies for EC Models	50
Rotary Coin Meter Assemblies for CD Models	50
Timer Motors for Rotary Coin Meter Assemblies (CD Models)	51
Gas Burner Orifice Table†	52
L. P. Gas Kit Table†	52
Motor Usage Table	53
Front Panel Assemblies†	54
Wire Harness Table	55
Parts Index	57

© Copyright 2000, Alliance Laundry Systems LLC

All rights reserved. No part of the contents of this book may be reproduced or transmitted in any form or by any means without the expressed written consent of the publisher.



Parts Ordering Information

If literature or replacement parts are required, contact the source from whom the machine was purchased or contact Alliance Laundry Systems at (920) 748-3950 for the name and address of the nearest authorized parts distributor.

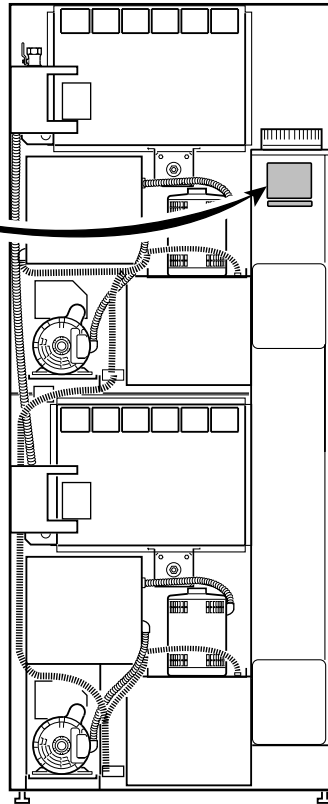
For technical assistance, call (920) 748-3121.

Nameplate Location

When calling or writing about your product, be sure to mention model and serial numbers. Model and serial numbers are located on nameplate(s) as shown.

MODEL NO:		 ANSI Z39.1 CLOTHES DRYER VOL. II
SERIAL NO:		
V-/ HERTZ/ PHASE AMPS, WIRES + GROUND TOTAL kW, MOTOR kW REQ'D CIRCUIT BREAKER: AMPS		 CGA 72 TESTED FOR NATURAL & LIQUID PETROLEUM GASES
FAN OUTPUT: @MAX *WC STATIC PRESSURE		
EQUIPPED FOR: GAS @ *WC MANIFOLD PRESS.		
MIN SUPPLY PRESSURE: *WC. MAX SUPPLY PRESSURE: *WC.		
INPUT: BTU/hr @ BTU/cu.ft.		
<small>MADE IN U.S.A./FABRIQUE AU ETATS UNIS/FABRICADO EN LOS ESTADOS UNIDOS 70551001</small>		

MODEL NO:
SERIAL NO:



T435i

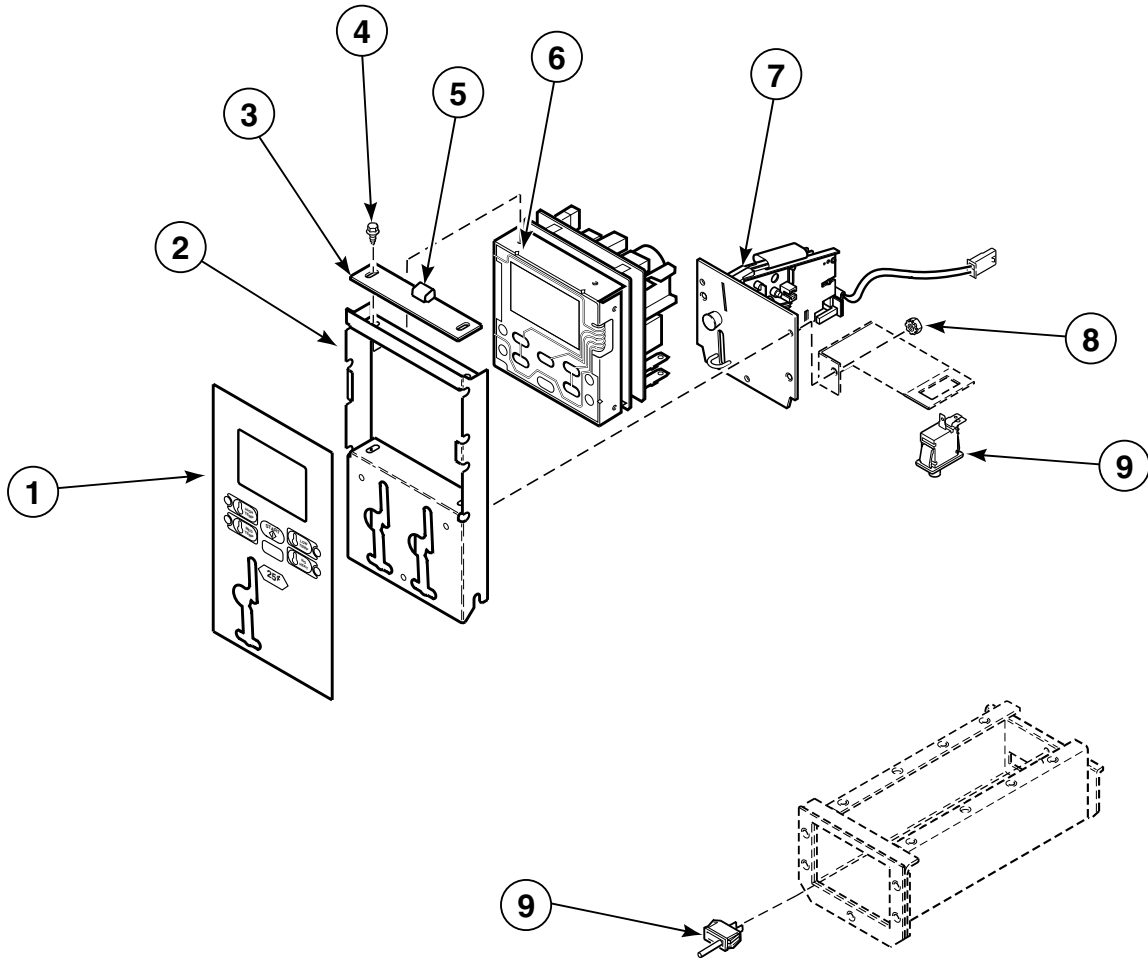
Model Identification

Information contained in this manual is applicable to these tumbler models:

Stacked 30 Pound Tumbler (300 Liter)

Gas:	High Output Steam (4 coil)	Low Output Steam (2 coil)	Electric
DC0300DFG	DC0300DSH	DC0300DSL	DC0300DEL
DC0300DRG	DT0300DSH	DT0300DSL	DT0300DEL
DT0300DFG	JC0300DSH	JC0300DSL	JC0300DEL
DT0300DRG	JT0300DSH	JT0300DSL	JT0300DEL
JC0300DFG	SC0300DSH	SC0300DSL	SC0300DEL
JC0300DRG	ST0300DSH	ST0300DSL	ST0300DEL
JT0300DFG			
JT0300DRG			
SC0300DFG			
SC0300DRG			
ST0300DFG			
ST0300DRG			

Electronic Coindrop Models

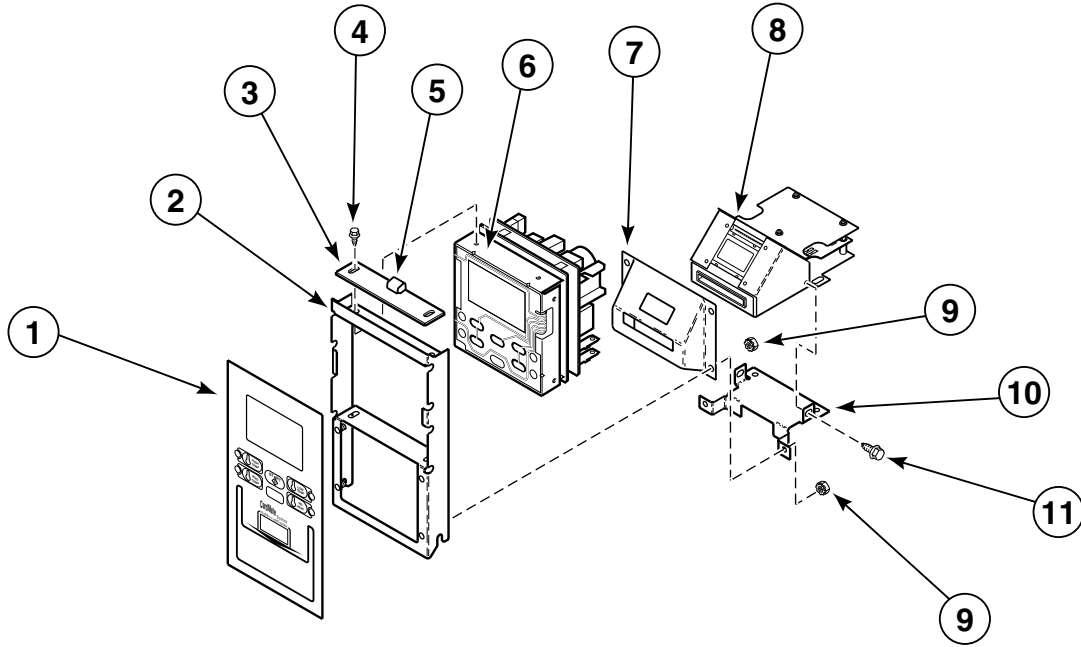


T428PZ3B

Electronic Coindrop Models

REF	PART #	DESCRIPTION	COMMENTS
1	70113601	Overlay, Electronic Control	Text – ST Models
	70113901	Overlay, Electronic Control	Text with IR – JT Models (Export – English)
	70135501	Overlay, Electronic Control	EU Icon – SC Models
	70135701	Overlay, Electronic Control	With IR EU Icon – JC Models
	70136101	Overlay, Electronic Control	Text Non IR – JT Models (USA)
	70129301	Overlay, Electronic Control	Upper – PT/PC Models
	70129401	Overlay, Electronic Control	Lower – PT/PC Models
	70129501	Overlay, Single Coindrop	Upper – PT/PC Models
	70129601	Overlay, Dual Coindrop	Upper – PT/PC Models
	70129701	Overlay, Single Coindrop	Lower – PT/PC Models
	70129801	Overlay, Dual Coindrop	Lower – PT/PC Models
2	70175901	Assembly, Door, Control with studs	SC/ST Models
	70175902	Assembly, Door, Control with studs	JC/JT Models
3	70119101	Bracket, Latch Mounting	
4	501524	Screw	
5	431318	Latch, Door–control	
6	M414049P	Assembly, Dryer Control & Tape	24 Volt
7		Coindrop	Refer to Table Page 50
8	70054	Nut	
9	70107001	Switch, Push Button	
REF	38571	Dual Drop Multiplier Kit	For Dual Coindrops (Not Shown)
	M4691P3	Electronic Coin Control Kit	ST (Non–European only)
	M4692P3	Electronic Coin Control Kit	SC (European only)
	M4721P3	Electronic Coin Control Kit	JT (Non–European only)
	M4722P3	Electronic Coin Control Kit	JC (European only)

Card Reader Control Components

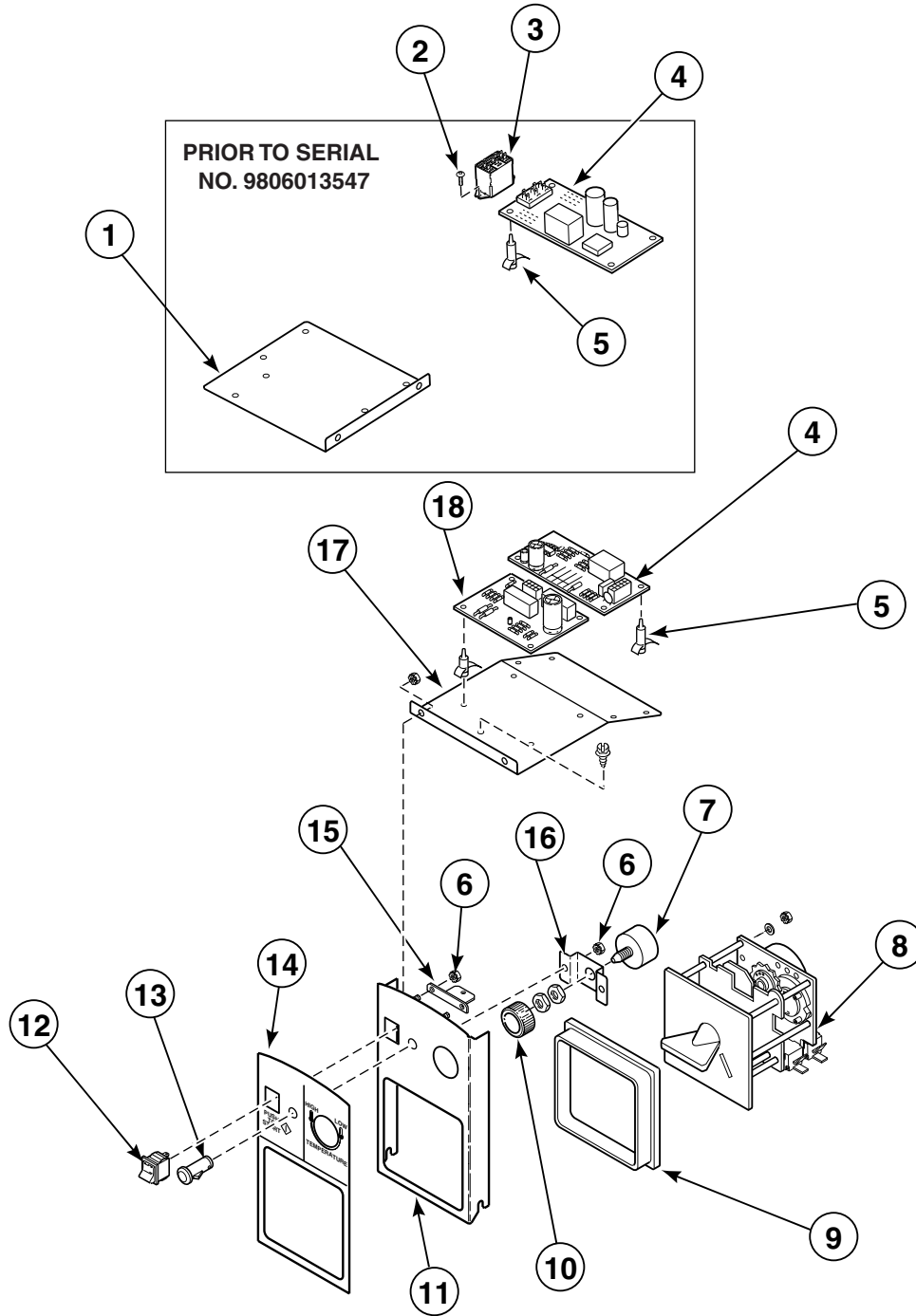


T429PZ3A

Card Reader Control Components

REF	PART #	DESCRIPTION	COMMENTS
1	70136201	Overlay, Card Reader	ST Models
	70115701	Overlay, Card Reader	JT Models
2	70175903	Assembly, Control Door with studs	ST Models
	70175904	Assembly, Control Door with studs	JT Models
3	70119101	Bracket, Latch Mounting	
4	501524	Screw	
5	431318	Latch, Control Door	
6	M414049P	Electronic Control	
7	M414120	Mounting Bracket, Card Reader	
8	39685	Card Reader Control	
9	70054	Nut	
10	70119001	Bracket, Chassis Mounting	
11	430497	Screw	

Rotary Coindrop Components

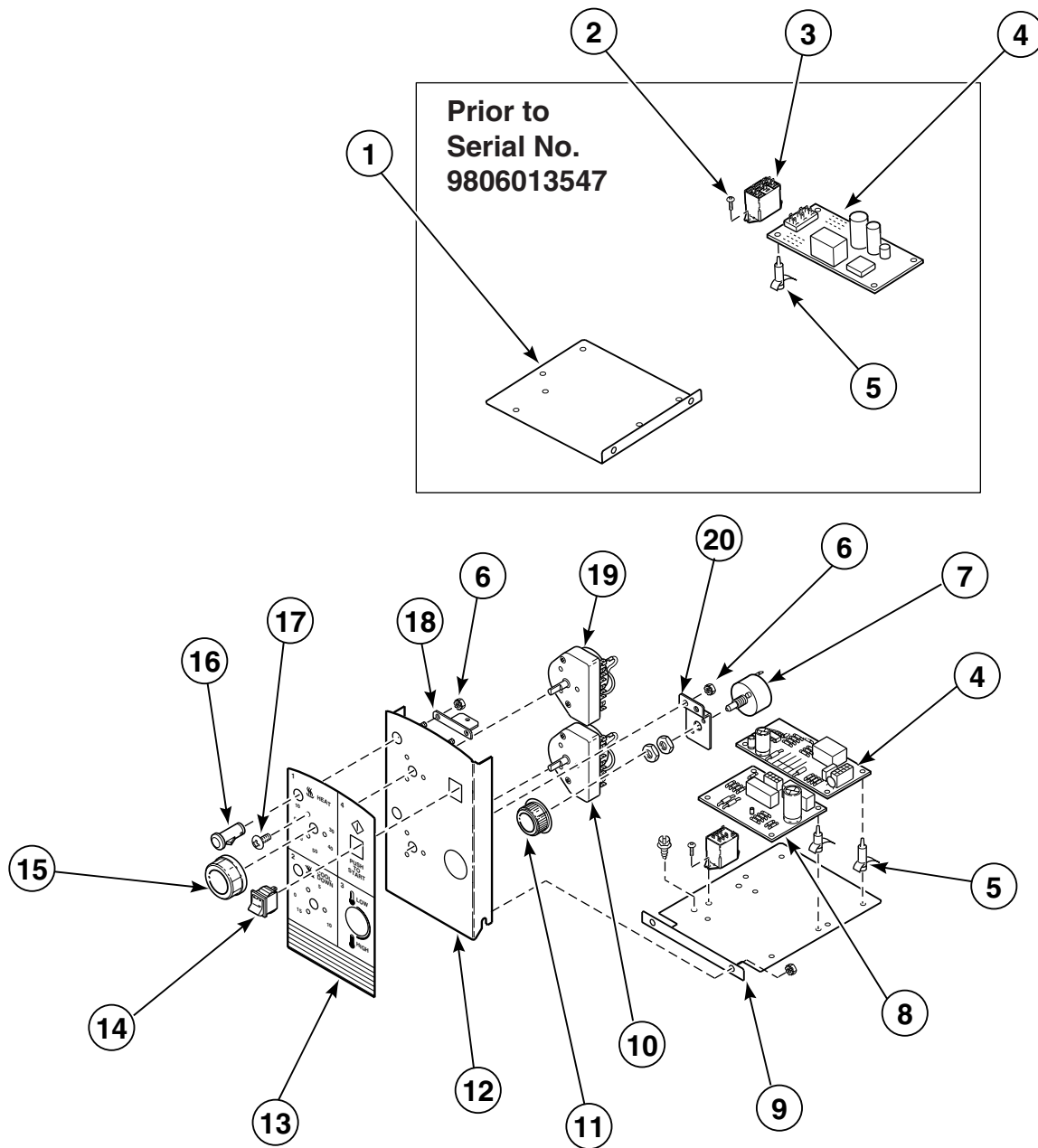


T427pz3d

Rotary Coindrop Components

REF	PART #	DESCRIPTION	COMMENTS
1	70118901	Bracket, Temperature Control	Prior to Serial No. 9806013547
2	M402797	Screw	
3	M412534	Relay	
4	431347P	Temperature Control Board	
5	34896	Support, Temperature Control	Prior to Serial No. 9806013547 (4) Starting with Serial No. 9806013547 (8)
6	70054	Nut	
7	431353	Temperature Switch	
8		Rotary Coindrop	Refer to Table on page 50
9	70061701	Shroud, Rotary Coindrop	
10	70080601	Temperature Knob	SC/ST Models
	431357	Temperature Knob	JC/JT Models
11	70175907	Assembly, Control Door with studs	SC/ST Models
	70175908	Assembly, Control Door with studs	JC/JT Models
12	70108501	Start Switch	
13	70082201	Run Light	
14	70115501	Overlay, Coin Drop	JT Models (USA & NON EU)
	70128201	Overlay, Coin Drop	SC/ST Models
	70136801	Overlay, Coin Drop–icon	JC Models
15	70119801	Bracket, Latch Mounting	
16	70108001	Bracket, Temperature Switch	
17	70179001	Bracket, Temperature Control	Starting with Serial No. 9806013547
18	70175301	Time Delay Circuit Board	Starting with Serial No. 9806013547
REF	M405535	Washer for Coindrop Mounting	Not Shown
	M4693P3	Rotary Coin Meter Control Kit	ST/SC Models
	M4723P3	Rotary Coin Meter Control Kit	JT/JC Models

Manual Dual Timer Control



T426pz3d

Manual Dual Timer Control

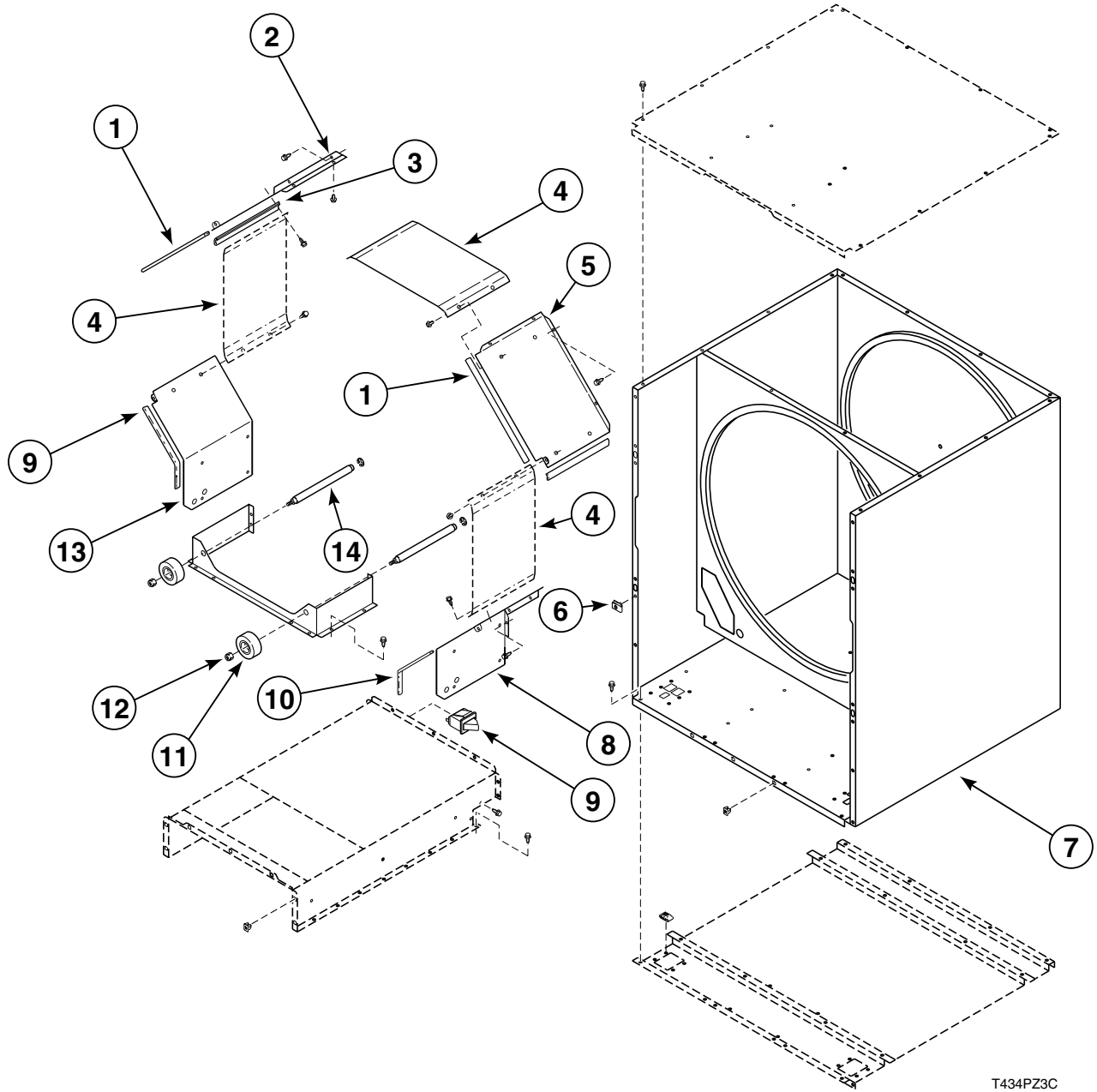
REF	PART #	DESCRIPTION	COMMENTS
1	70131301	Bracket, Temperature Control	Prior to Serial No. 9806013547
2	M402797	Screw	
3	M412534	Relay	2 Required For Each Control
4	431347P	Temperature Control Board	
5	34896	Support, Temperature Control	Prior to Serial No. 9806013547 (4 required) Starting with Serial No. 9806013547 (8 required)
6	70054	Nut	
7	431353	Temperature Switch	
8	70175301	Time Delay Circuit Board	
9	70179101	Bracket, Temperature Control	Starting with Serial No. 9806013547
10	70131801	Timer, Cooling	
11	431357	Temperature Knob	JC/JT Models
	70080601	Temperature Knob	DC/DT/SC/ST Models
12	70175905	Assembly, Control Door with studs	DC/DT/SC/ST Models
	70175906	Assembly, Control Door with studs	JC/JT Models
13	70114401	Overlay, Manual Timer	JT Models (USA & non EU)
	70128101	Overlay, Manual Timer	DT/ST Models (USA & non EU)
	70129901	Overlay, Manual Timer	Upper – PT/PC Models
	70130001	Overlay, Manual Timer	Lower – PT/PC Models
	70135401	Overlay, Manual Timer	Icon (EU) – DC/SC Models
	70135601	Overlay, Manual Timer	Icon (EU) – JC Models
14	70108501	Start Switch	
15	70082101	Timer Knob	DC/DT/SC/ST Models
	M410927	Timer Knob	JC/JT Models
16	70082201	Light, Heat & Cooling	
17	M411052	Screw	
18	70119801	Latch Mounting	
19	70131701	Timer, Heat	
20	70108001	Bracket, Temperature Switch	
REF	M4694P3	Manual Timer Control	ST/SC Models
	M4724P3	Manual Timer Control	JT/JC Models

Front Panel Components

REF	PART #	DESCRIPTION	COMMENTS
1	70155601	Key for Lock (RL001)	See Note Below
2	70155501	Lock, Control Door (RL001)	See Note Below
3	70033502	Screw	
4		Assembly, Upper Front Panel	Refer to Table on page 54
5	M401223	Door Catch	
6	M400003	Pop Rivet	
7	70132301	Screw	JC/SC Models
8	H88510516	Washer	JC/SC Models
9	70119301	Bracket, Door Switch	European, JC/SC Models
10	70072901	Nut	JC/SC Models
11	70125101	Door Switch	European, JC/SC Models
12	M401938	Screw	JC/SC Models
13	70119901	Control Housing	
14	70107001	Door Switch	
15		Assembly, Lower Front Panel	Refer to Table on page 54
16	70117605	Kickplate	SC/ST Models
	70117606	Kickplate	JC/JT Models
17	70117901	Gasket, Lint Drawer	
18	M411097	Screw	
19	70116901	Trim, Control	Right; SC/ST Models
	70117001	Trim, Control	Left & Right; JC/JT Models
20	70114601	Overlay, Yoke	SC/ST Models
	70137001	Overlay, Yoke	PT/PC Models
21	70116902	Trim, Control	Left; SC/ST Models
22	70120501	Trim, Control	Center; SC/ST Models
23	70117501	Trim, Coin Vault	Gray; JC/JT Models
	70117502	Trim, Coin Vault	Black; SC/ST Models
	70117503	Trim, Coin Vault	White; PC/PT Models
REF	M4009712	Clips for Retaining Trim Pieces	(Not Shown)
	M412232	Knob, Emergency Stop	European Models, JC/SC–MT (Not Shown)
	M412235	Label, Yellow for Emergency Stop	European Models, JC/SC–MT (Not Shown)
	70116701	Switch, Emergency Stop	European Models, JC/SC–MT (Not Shown)
	70069901	Screw, 10 x 1.25 Inch	Mounted Vertically to Secure Top of Lower Front Panel (Not Shown)

NOTE: Locks with key codes H2133, H2141 are no longer available. When replacing these items, order both lock and key.

Upper Cylinder Support Components

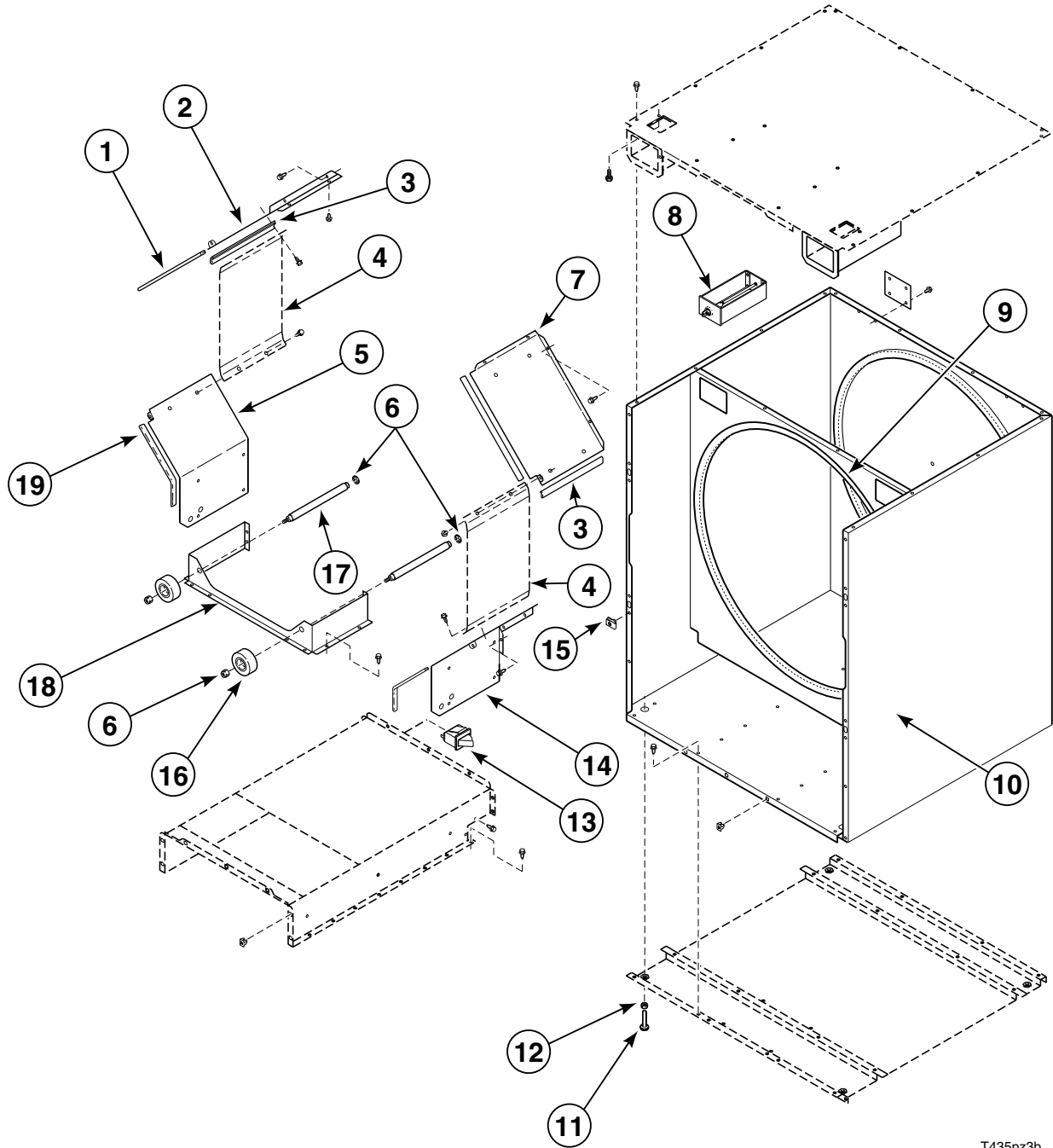


T434PZ3C

Upper Cylinder Support Components

REF	PART #	DESCRIPTION	COMMENTS
1	70015701	Gasket, Baffle	11.38
2	70022101	Baffle, Partition	Upper Left
3	70015702	Gasket, Baffle	8.75
4	70036601	Thermal Shield	Discontinued after Serial No. 9807017397
5	70022001	Baffle, Partition	Upper Right
6	70030401	Clip	
7	70056601*L	Side Panel	
8	70057101	Baffle, Partition	Lower Right
9	431159	Switch, Lint Drawer	
10	70015701	Gasket, Baffle	11.38
11	70052601	Roller	
12	430576	Nut	
13	70198801	Baffle, Partition	Lower Left
14	70017701	Roller Shaft	
REF	70058561	Rivets	31 per Side Panel

Lower Cylinder Support Components



T435pz3b

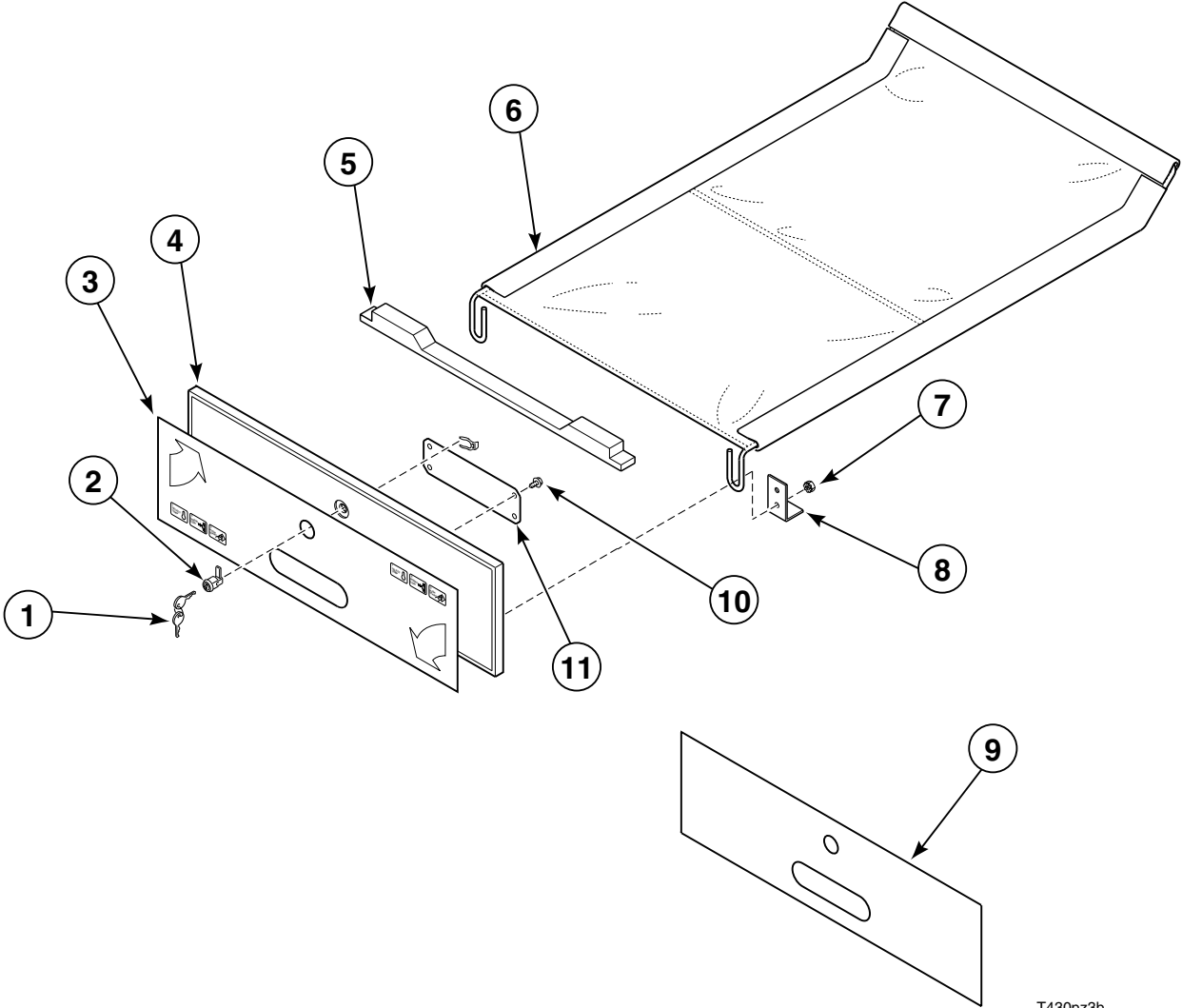
Lower Cylinder Support Components

REF	PART #	DESCRIPTION	COMMENTS
1	70015701	Gasket, Baffle	11.38
2	70215302	Baffle, Partition	Upper Left
3	70015702	Gasket, Baffle	8.75
4	70036601	Thermal Shield	
5	70198801	Baffle, Partition	Lower Left
6	430576	Nut	
7	70215303	Baffle, Partition	Upper Right
8	70180101	Coin Vault	
9	70066001	Cylinder Seal	Center
10	70056601*L	Side Panel	
11	34319	Leveling Leg	
12	21899	Nut	
13	431159	Switch, Lint Drawer	
14	70198701	Baffle, Partition	Lower Right
15	70030501	Clip	
16	70052601	Roller	
17	70017701	Roller Shaft	
18	7055001	Roller Support Bracket	
19	70198801	Gasket, Baffle	11.38
REF	70058502	Rivets	13 per Coin Vault
	70058501	Rivets	31 per Side Panel
	70216201P	Kit, Coin Chute and Plate	
	70014003	Center Seal Clip	Not Shown

* Add letter to designate color.

V – Orange	B – Battina Green
K – Red	H – Harvest Gold
L – Almond	X – Electric Blue
W – White	P – Turquoise

Lint Drawer Components



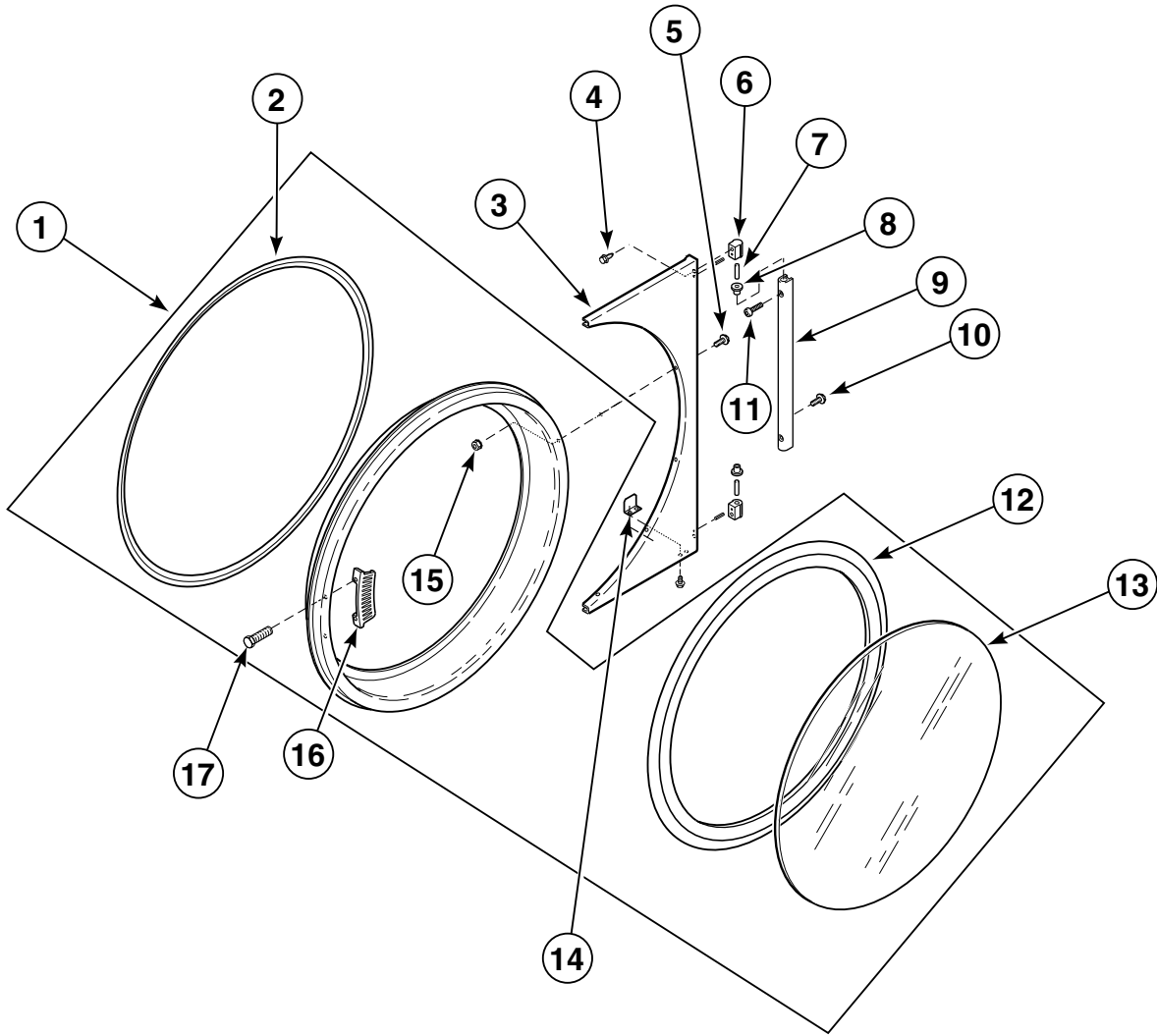
T430pz3b

Lint Drawer Components

REF	PART #	DESCRIPTION	COMMENTS
1	70155602	Key (RL002)	See Note below
2	70155502	Lock (RL002)	See Note below
3	70114701	Overlay, Upper Lint Drawer	ST Models
	70115101	Overlay, Upper Lint Drawer	JT Models
	70136501	Overlay, Upper Lint Drawer	SC European Models
	70136401	Overlay, Upper Lint Drawer	JC European Models
4	70173801	Assembly, Front Plate with studs	JC/JT Models
	70173802	Assembly, Front Plate with studs	SC/ST Models
5	70109201	Gasket, Lint Frame	
6	70173201	Assembly, Lint Screen	
7	29786	Nut	
8	70026901	Bracket	
9	70115301	Overlay, Lower Lint Drawer	ST Models
	70115201	Overlay, Lower Lint Drawer	JT Models
	70136601	Overlay, Lower Lint Drawer	JC European Models
	70136401	Overlay, Lower Lint Drawer	SC European Models
10	20852	Screw	
11	70051201	Plate	

NOTE: Locks with key codes H2133, H2141 are no longer available. When replacing these items, order both lock and key.

Door and Hinge Components



T439PZ3A

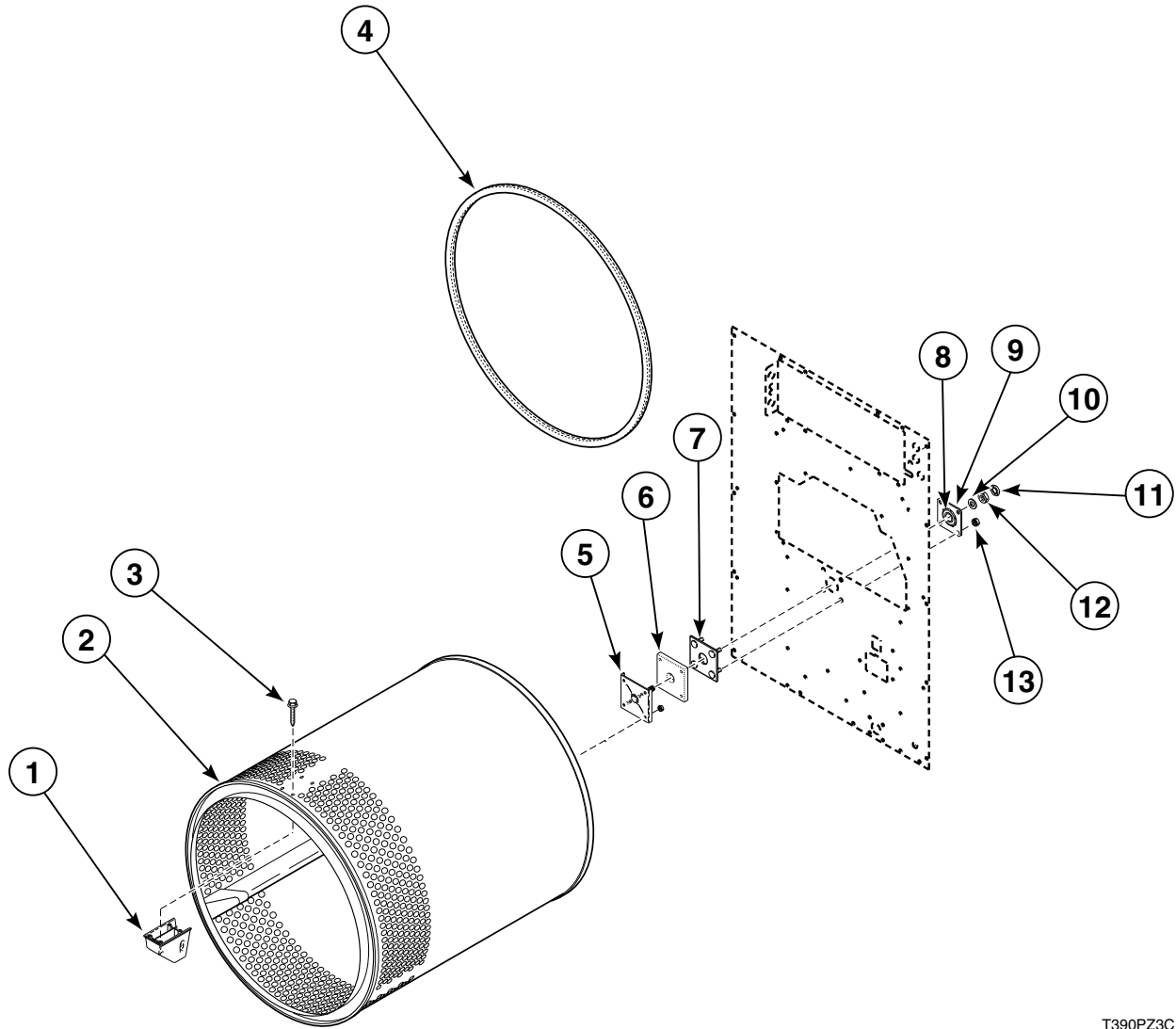
Door and Hinge Components

REF	PART #	DESCRIPTION	COMMENTS
1	70176501	Door Assembly Complete	ST/SC Models
	70176502	Door Assembly Complete	JT/JC Models
	70176503	Door Assembly Complete	DC/DT Models
	70176504	Door Assembly Complete	GC/GT/PC/PT Models
2	70211601	Door Rim Gasket	
3	70115901*	Door Hinge	Painted
	70115902	Door Hinge	Stainless Steel
4	61199	Screw	
5	501524	Screw	
6	70174801	Hinge Cam	
7	70071401	Hinge Pin	
8	70071101	Hinge Bushing	
9	70174701	Hinge Lug	Long
10	70113001	Screw	
11	70033502	Screw, Internal Hex	
12	70211901	Door Glass Seal	
13	70133601P	Door Glass	JT/JC Models
	M400784P	Door Glass	DC/DT/ST/SC Models
14	70215001P	Door Switch Actuator	
15	70113001	Screws for Door Handle	DT/DC/ST/SC Models (4 used)
	M409385	Screws for Door Handle	JT/JC Models (4 used) GC/GT/PC/PT Models (2 used)
16	70024801	Door Handle	ST/SC Models
	70133501	Door Handle	JT/JC Models
	430117	Door Handle	DC/DT Models
	M400133	Door Handle	PC/PT Models
17	M400661	Door Strike Screw	
REF	70054	Nut	
	M400645	Acorn Nut for Door Strike	(Not Shown)

* Add letter to designate color.

V – Orange	B – Battina Green
K – Red	H – Harvest Gold
L – Almond	X – Electric Blue
W – White	P – Turquoise

Cylinder, Trunnion and Bearing

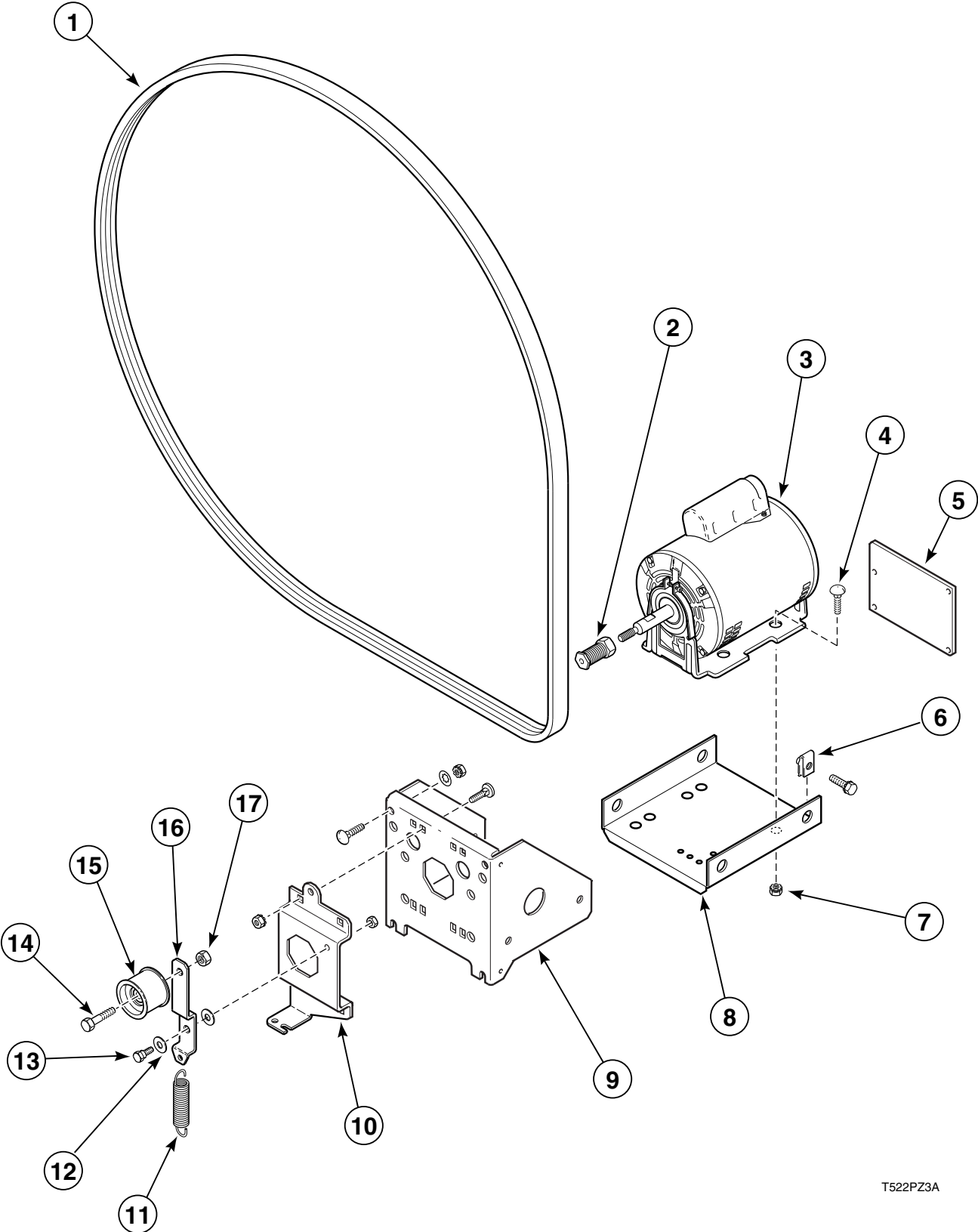


T390PZ3C

Cylinder, Trunnion and Bearing

REF	PART #	DESCRIPTION	COMMENTS
1	70070101	End Cap–Cylinder Baffle	
2	70175101	Cylinder Assembly	Galvanized
	70175102	Cylinder Assembly	Stainless Steel
	70227301	Cylinder Assembly, with Channel (Perforated Rib)	Galvanized; Gas and Steam Models Starting with Serial No. 9906019882
	70027302	Cylinder Assembly, with Channel (Perforated Rib)	Stainless Steel; Gas and Steam Models Starting with Serial No. 9906019882
3	62588	Screw	
4	70013701	Rear Cylinder Seal	Use 22506P Adhesive
5	70189301	Trunnion Assembly	
6	70193801	Felt Seal	Not Required for RG Models
7	430352	Stud Plate	
8	430038	Bearing	
9	70013901	Bearing Housing	
10	M400991	Washer	
11	M400034	Palnut	
12	M400022	Jamnut	
13	M412986	Nut	

Drive Motor Components

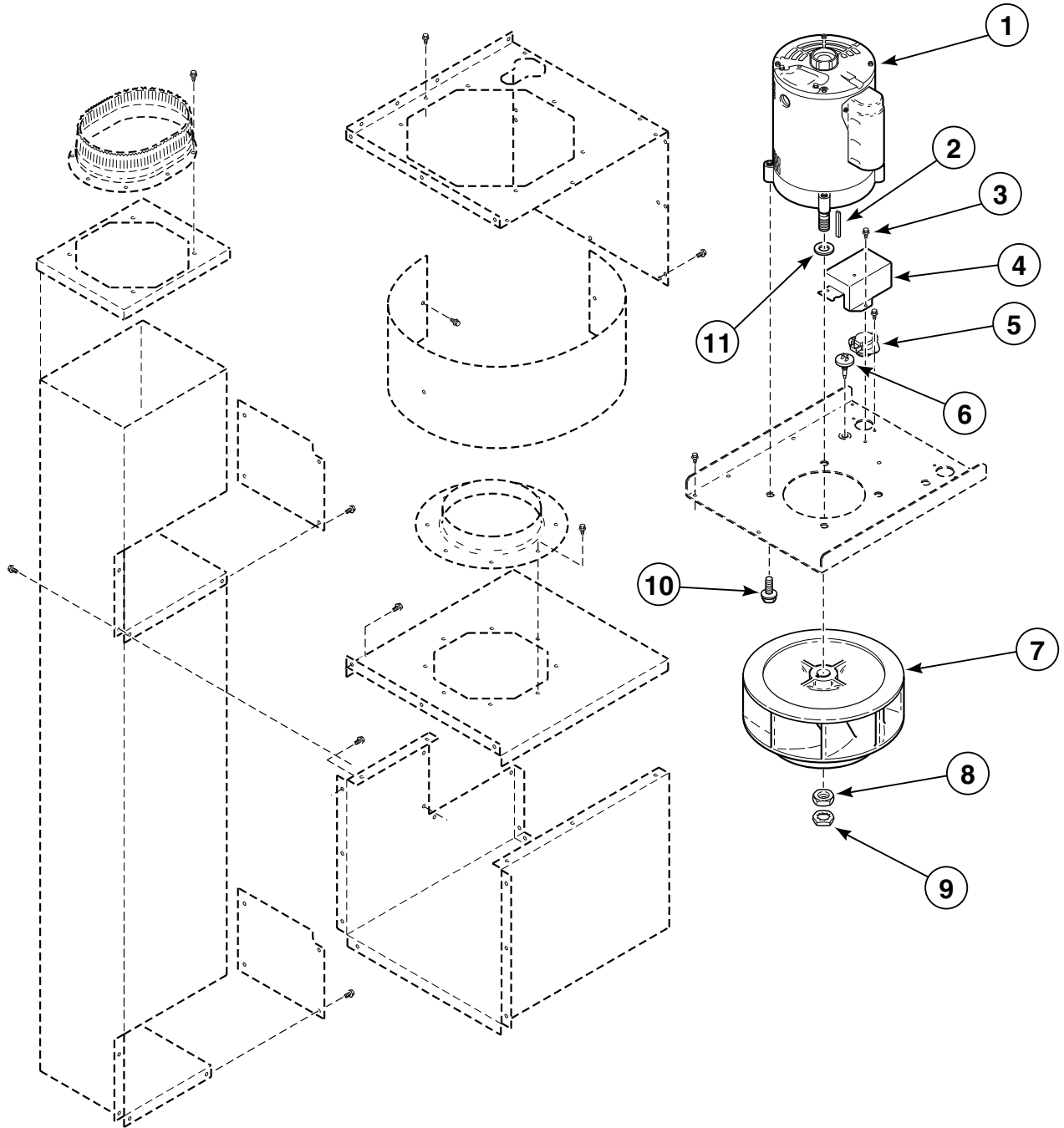


T522PZ3A

Drive Motor Components

REF	PART #	DESCRIPTION	COMMENTS
1	70053103	Belt	
2	70189103	Motor Pulley	50 Hertz
	70189101	Motor Pulley	60 Hertz
3		Motor	See Table Page 114
4	70062401	Bolt	
5	70202501	Cover	
6	27222	Clip	
7	M412986	Nut	
8	70127301	Bracket, Motor Mount	
9	70179501	Channel, Motor	
10	70179601	Bracket	
11	70045301	Spring	
12	430782	Washer	
13	431539	Screw	
14	430648	Screw	
15	70050401	Idler Roller	
16	70059201	Idler Arm	
17	52566	Nut	
REF	70173701	Bracket, Idler Lock	
	70179701	Tab	

Blower and Exhaust Components

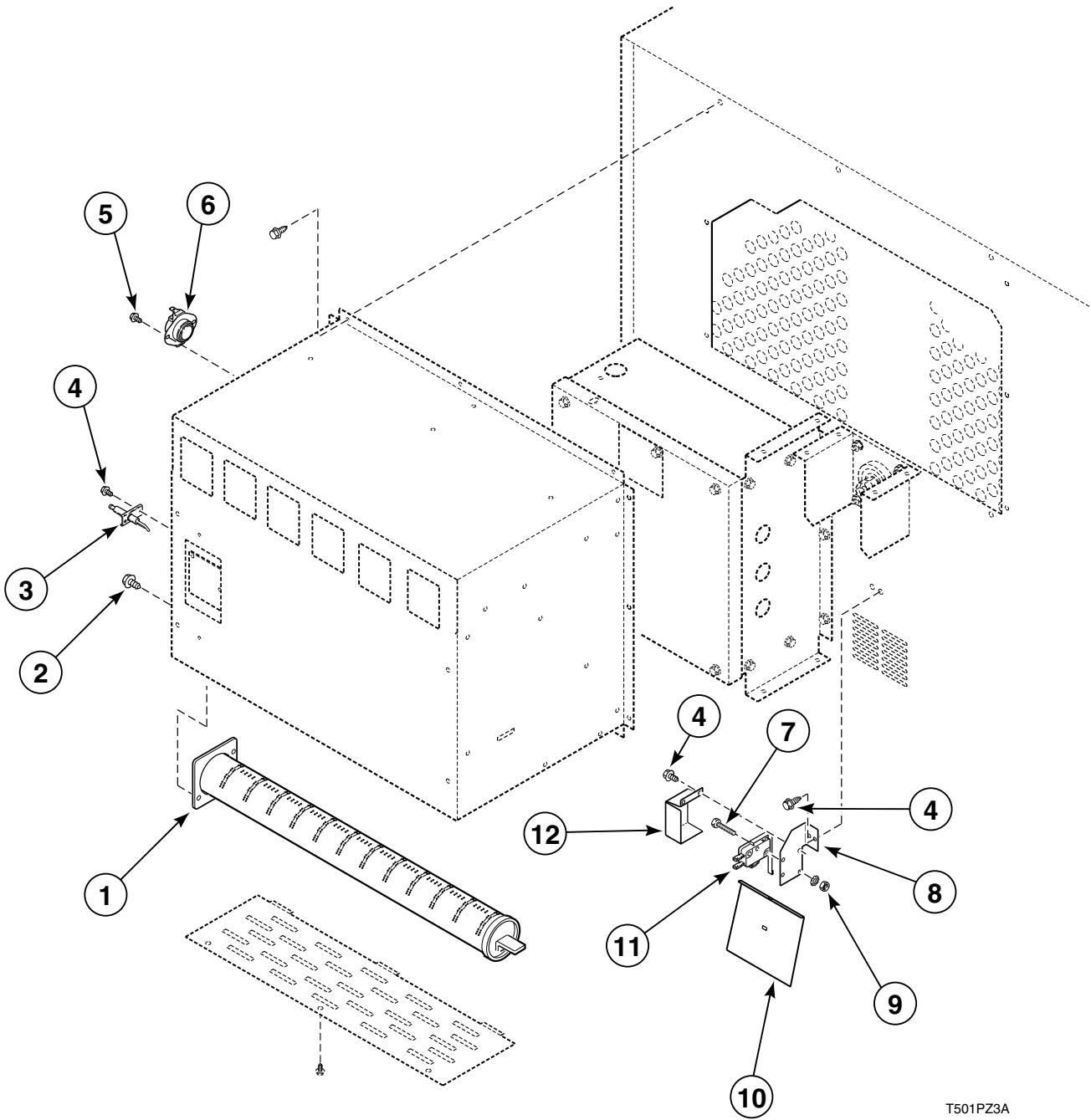


T523PZ3A

Blower and Exhaust Components

REF	PART #	DESCRIPTION	COMMENTS
1		Fan Motor	See Table Page 114
2	70144101	Key	
3	430497	Screw	
4	70112801	Cover	
5	M411307	Thermostat, High-Limit	Close 175 – All Except Australia
	70186401	Thermostat, High-Limit	Manual Reset – Australia
6	M411758	Assembly, Thermistor	
7	70123301	Assembly, Fan	
8	M400022	Jamnut	9/16–18
9	M400034	Palnut	9/16 x 18
10	70126101	Screw	3/8–16x 5/8 Hex Washer Head
11	70017401	Washer	
REF	70056201	Exhaust Damper	Not Shown; Prior to Serial Number 9903028340
	70017801	Exhaust Thimble	6 inch
	70200301	Stabilizer Bracket	Not Shown
	34319	Leveling Leg	Not Shown
	21899	Nut	Not Shown

Gas Burner Components

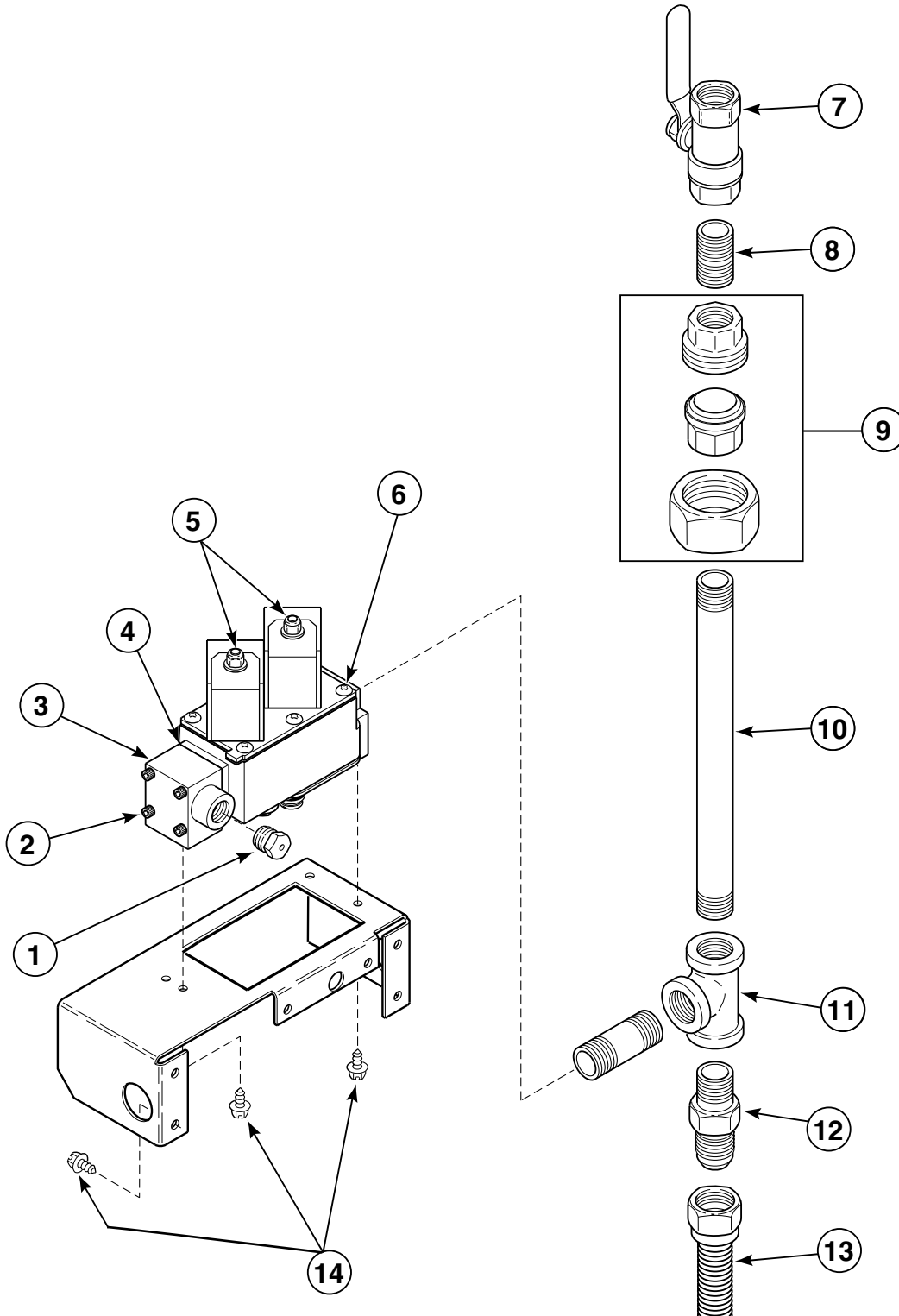


T501PZ3A

Gas Burner Components

REF	PART #	DESCRIPTION	COMMENTS
1	70184801	Gas Burner	All RG Models starting with Serial No. 980717398 and downrated PG Models
	70032710	Gas Burner †	FG Models
2	05161	Screw	
3	70032801	Spark Electrode	
4	430497	Screw	
5	M402797	Screw	
6	M409219	Thermostat, Stove Limit	
	70186301	Thermostat, Stove Limit	Australia
7	M401938	Screw	
8	70188301	Bracket	
9	M400979	Twin Speed Nut	
10	70068901	Air Flow Vane	
11	70068701	Air Flow Switch	
12	70188201	Cover, Air Flow Switch	
† Original Burner is replaced by M4729P3 Downrate Kit on FG Models			

Gas Valve and Piping

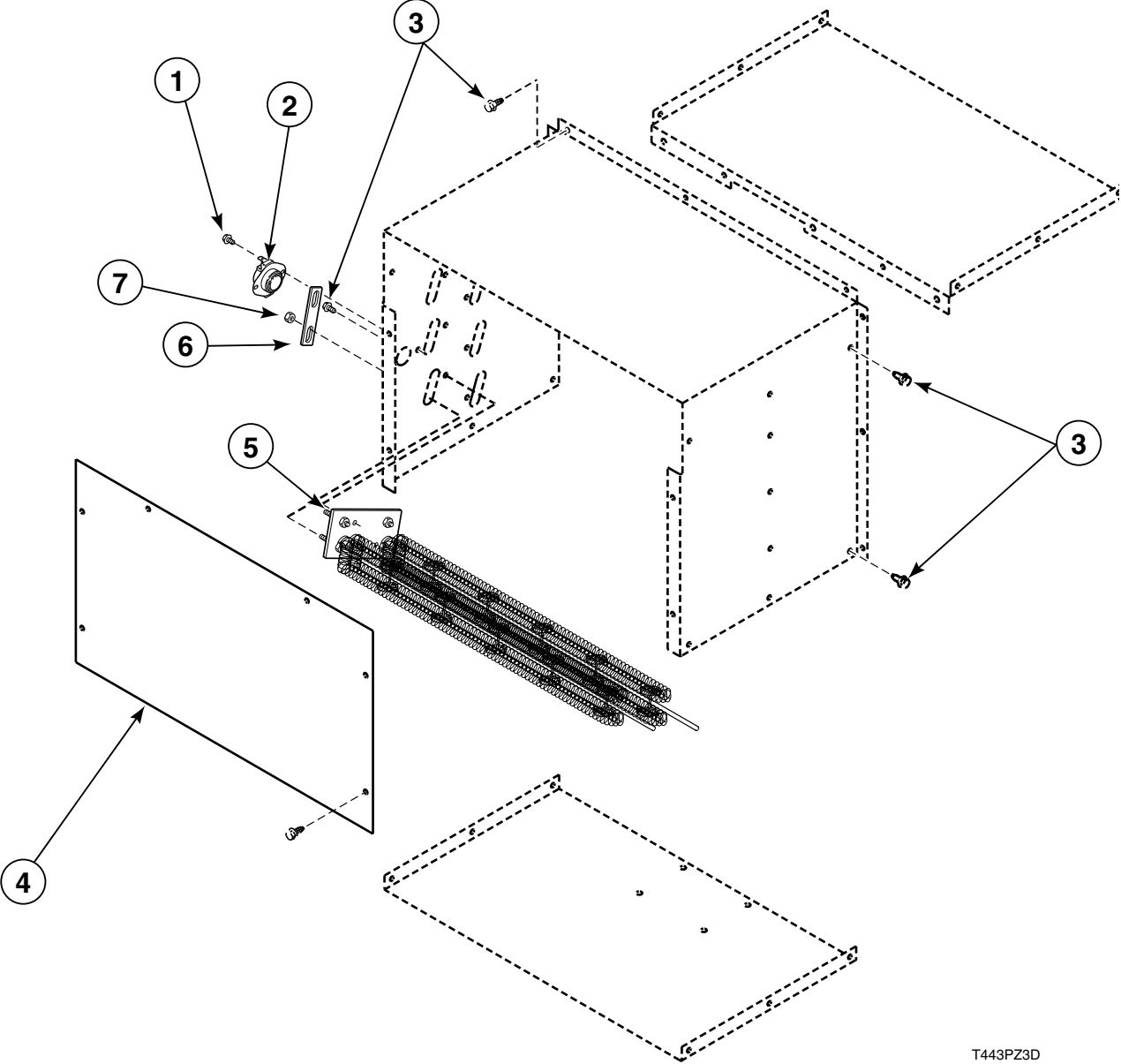


T499PZ3A

Gas Valve and Piping

REF	PART #	DESCRIPTION	COMMENTS
1		Burner Orifice	See Table Page 51
2	431484	Screw, Socket Head	
3	70034201	Spud Adapter	
4	431482	O Ring	Spud Adapter to Valve
5	70186701	Gas Valve Coil	24 Volts
6	M4733P3	Gas Valve–Regulated	Natural Gas
	M4734P3	Gas Valve–Unregulated	L.P. Gas
7	M412562	Shutoff Valve	Upper Unit Only
8	431486	Close Nipple	
9	H86000031	Union	Upper Unit Only
10	70139601	Pipe Nipple	9.5 – Upper Unit Only
11	70071801	Pipe Tee	Upper Unit Only
12	70131901	BPT to NPT Adapter	2 Required
13	70112901	Flex Gas Line	Lower To Upper Gas Valve; Prior to Serial No. 9903028340
14	430497	Screw	
REF	70079601	Elbow, 90 Degree	Lower Unit Only; Not Shown

Electric Heater Components

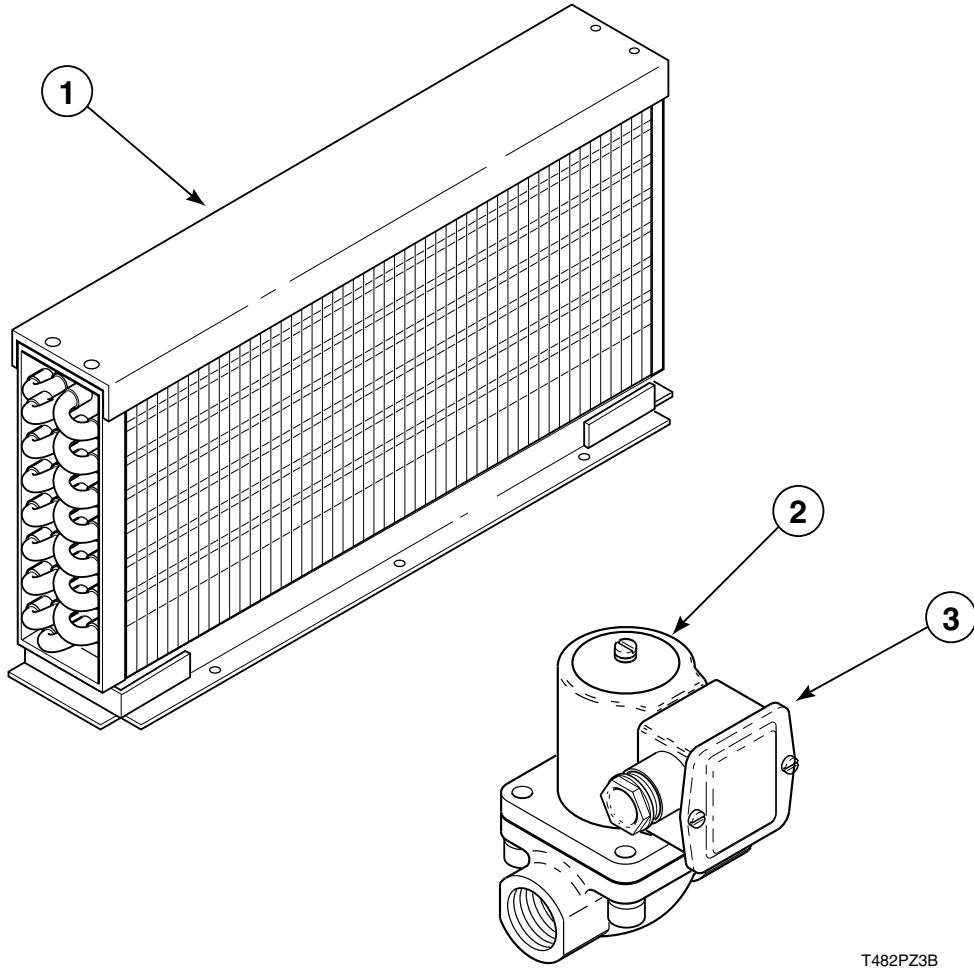


T443PZ3D

Electric Heater Components

REF	PART #	DESCRIPTION	COMMENTS
1	M402797	Screw	
2	M410220	Thermostat, High Limit	
3	430497	Screw	
4	70214901	Grill	
5	70034401	Heater Element	7kw – 208 Volt
	70034402	Heater Element	7kw – 220 Volt, 380 Volt
	70034403	Heater Element	7kw – 230 Volt, 240 Volt, 415 Volt and 480 Volt
6	M400869	Jumper Bar	
7	Q6163	Nut	

Steam Heater Components



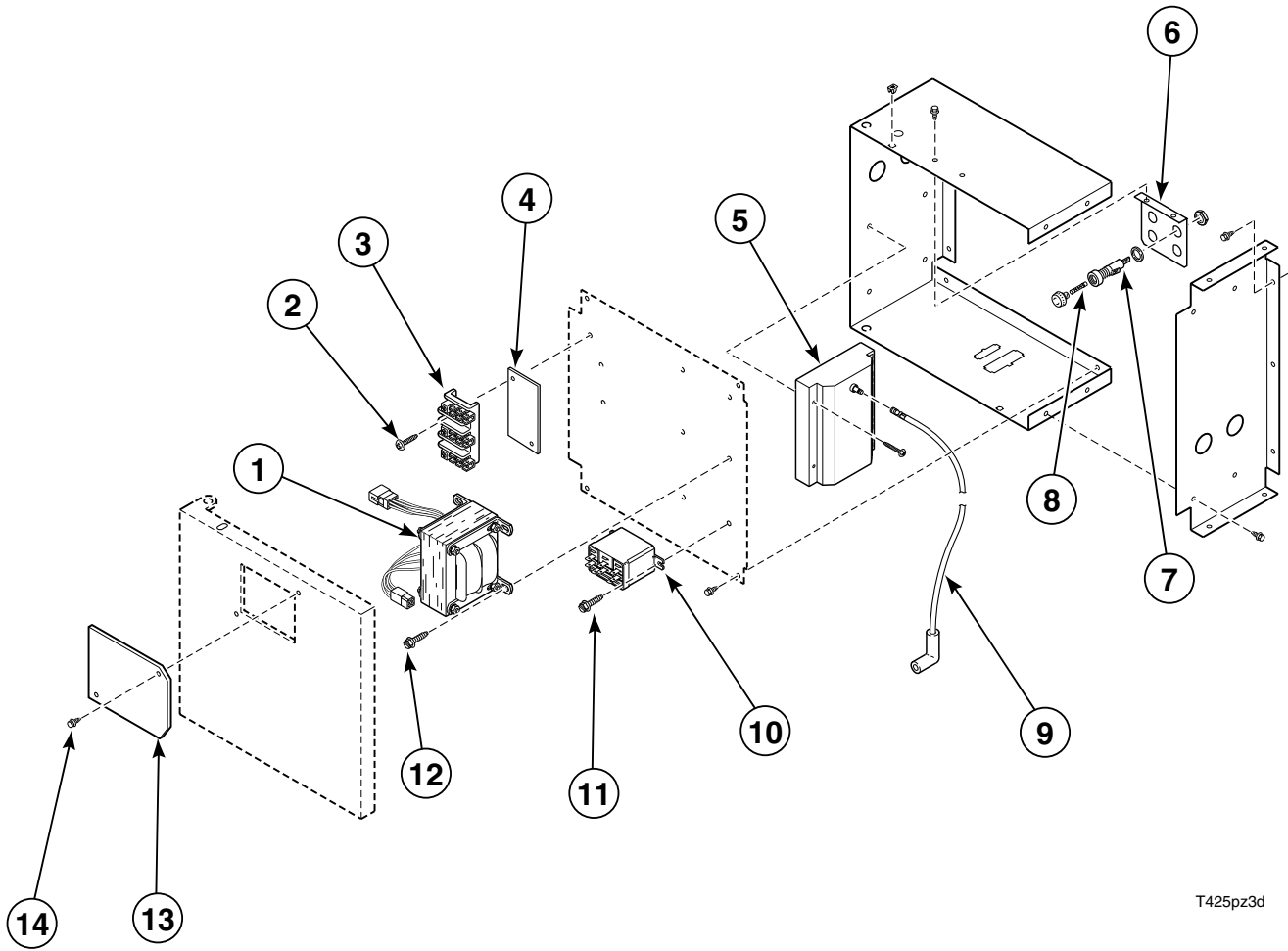
T482PZ3B

Steam Heater Components

REF	PART #	DESCRIPTION	COMMENTS
1	70035801	Steam Coil	2 Row; SL Models
	70035901	Steam Coil	4 Row; SH Models
2	70205701	Steam Valve Solenoid	60 Hertz
	M412258	Steam Valve Solenoid	50 Hertz
3	70205601	Steam Solenoid Valve	60 Hertz
	M413445	Steam Solenoid Valve	50 Hertz
REF	M409443	Thermostat, High Limit	(Not Shown)

Rear Control Box – Gas

(Non European)



T425pz3d

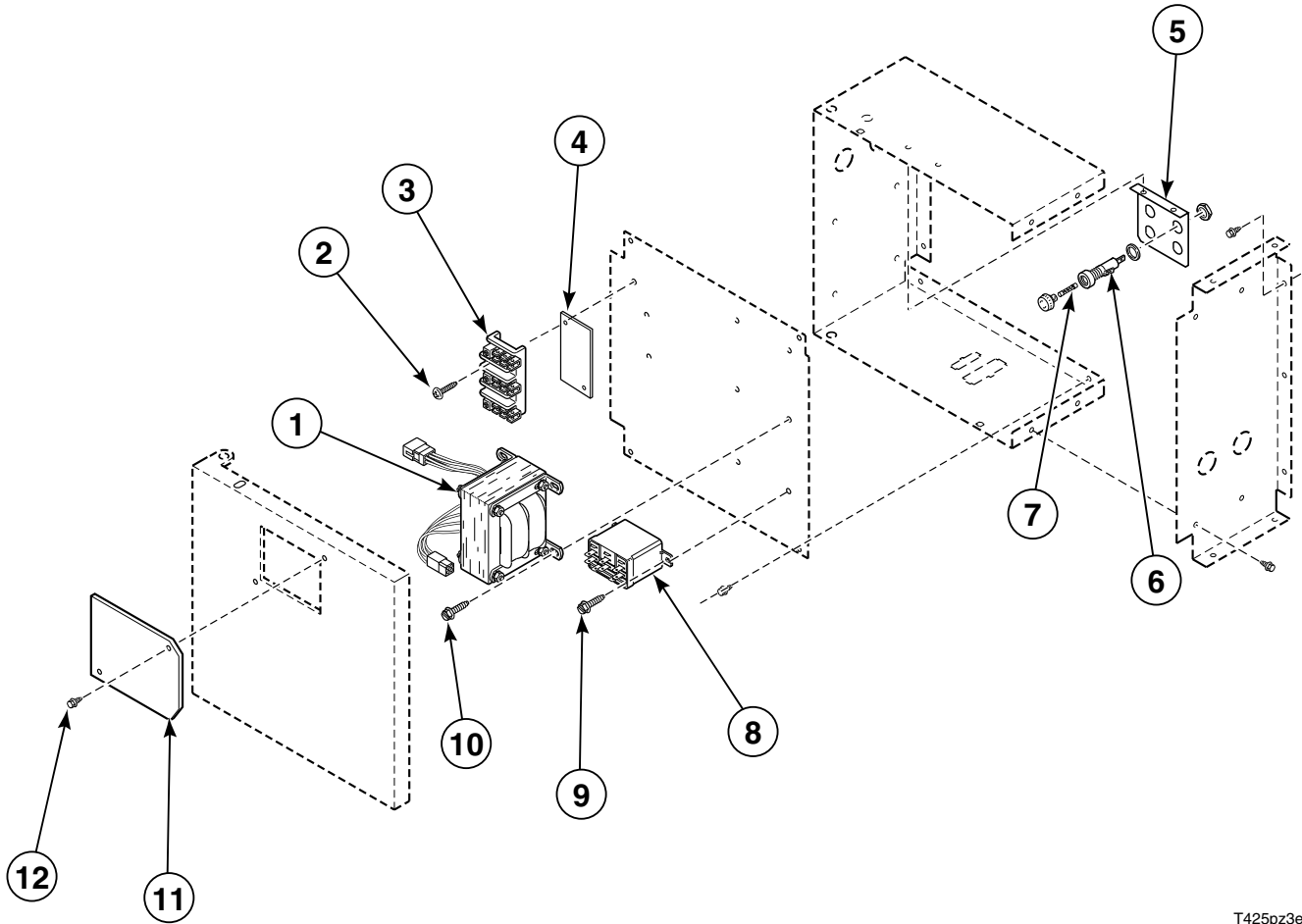
Rear Control Box – Gas

(Non European)

REF	PART #	DESCRIPTION	COMMENTS
1	M414228	Transformer	200-240 Volt 60 Hertz 3 Phase 200-240 Volt 50 Hertz 1/3 Phase
	M414229	Transformer	380-480 Volt 50-60 Hertz 3 Phase
	M414230	Transformer	60 Hertz 1 Phase
2	M405824	Screw	
3	430640	Terminal Block	
4	M413863	Insulator	
5	M413433	Ignition Control	Australia
	M413532	Ignition Control	USA and Non-European 50 Hertz
6	70086301	Bracket, Fuse Holder	Low Voltage
	70086401	Bracket, Fuse Holder	Voltages 380 and Above
7	91024	Fuse Holder	
	M413544	Fuse Holder	All 380 Volt or Higher
8	M413118	Fuse	2 Amp – 120 to 240 Volt Models
	M413621	Fuse	0.5 Amp – All Voltages 380 Volt and Above
	M414232	Fuse	3.5 Amp – All Except Australia
	M414240	Fuse	2 Amp - All 100 Volt Models
9	70006201	Ignition Cable	
10	70210901	Motor Relay	1 Phase
	M413614	Contactora	3 Phase
11	51778	Screw for Relay	
	51780	Screw for Contactora	
12	M401902	Screw	
13	70126601	Fuse Access Cover	
14	51780	Screw	
REF	M413431	Lighted Push Button Switch	Australian Models Only (Not Shown)

Rear Control Box – Steam

(Non European)



T425pz3e

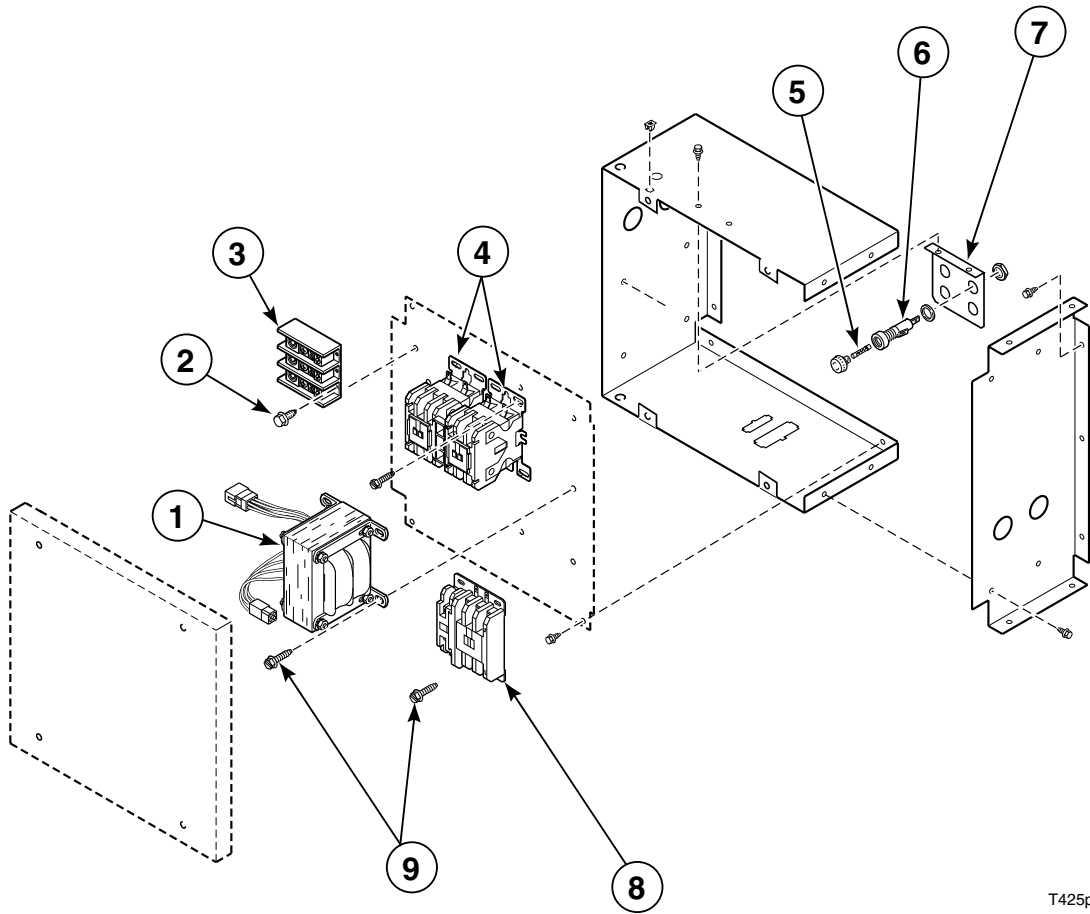
Rear Control Box – Steam

(Non European)

REF	PART #	DESCRIPTION	COMMENTS
1	M414228	Transformer	200-240 Volt 60 Hertz 3 Phase 200-240 Volt 50 Hertz 1 or 3 Phase
	M414229	Transformer	380-480 Volt 50-60 Hertz 3 Phase
	M414230	Transformer	60 Hertz 1 Phase
2	M405824	Screw	
3	430642	Terminal Block	
4	M413862	Insulator	
5	70086301	Bracket, Fuse Holder	Low Voltage
	70086401	Bracket, Fuse Holder	Voltages 380 and Above
6	91024	Fuse Holder	
	M413544	Fuse Holder	All 380 Volt or Higher
7	M413118	Fuse	2 Amp – 120 to 240 Volt Models
	M413621	Fuse	0.5 Amp – All Voltages 380 and Above
	M414232	Fuse	3.5 Amp; All Except Australia
	M414240	Fuse	2 Amp; All 100 Volt Models
8	70210901	Motor Relay	1 Phase
	M413614	Contactator	3 Phase
9	51778	Screw for Relay	
	51780	Screw for Contactator	
10	M401902	Screw	
11	70126601	Fuse Access Cover	
12	51780	Screw	

Rear Control Box – Electric

(Non European)



T425pz3f

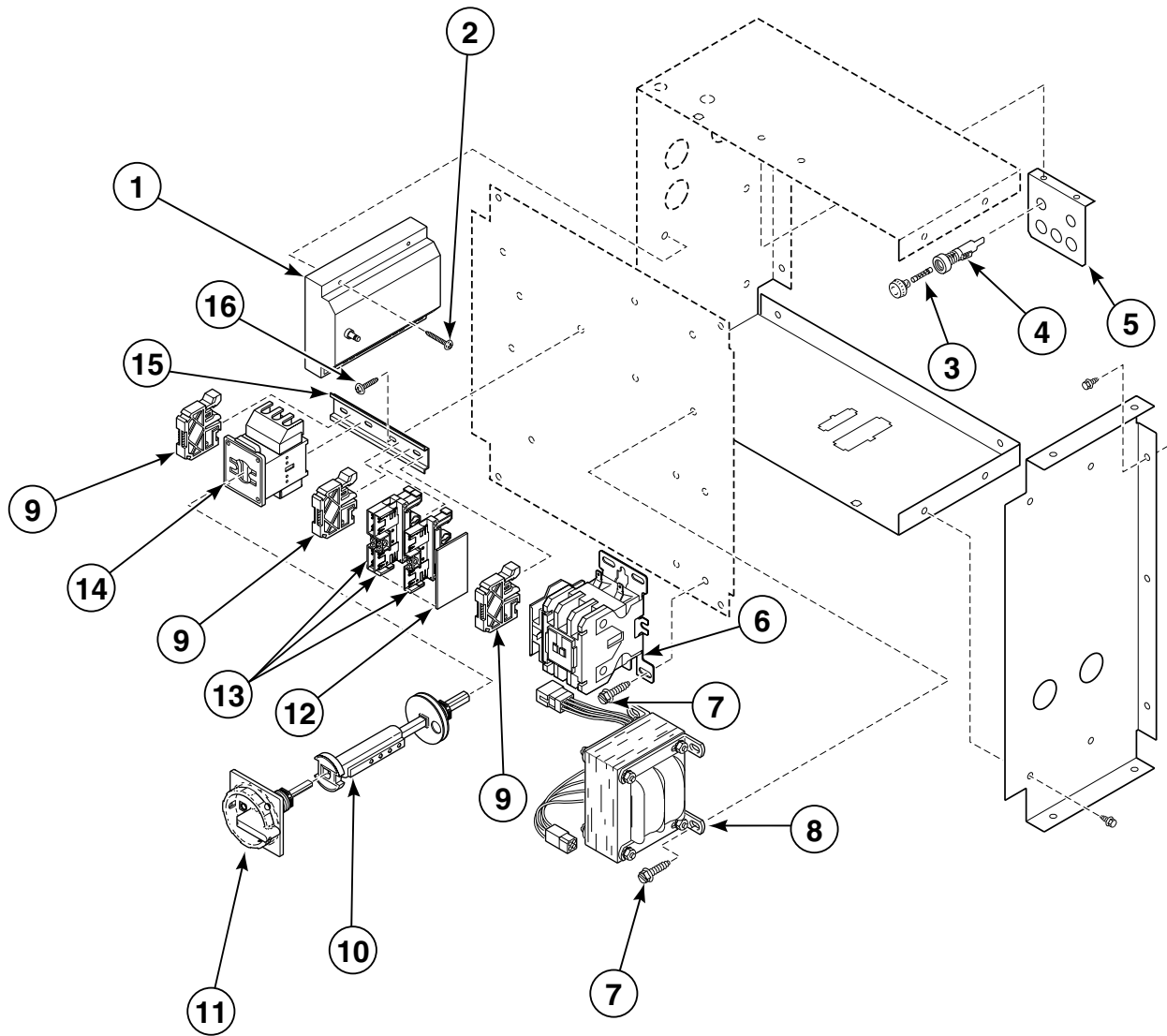
Rear Control Box – Electric

(Non European)

REF	PART #	DESCRIPTION	COMMENTS
1	M414230	Transformer	60 Hertz 1 Phase
	M414228	Transformer	200-240 Volt 60 Hertz 3 Phase 200-240 Volt 50 Hertz 1/3 Phase
	M414229	Transformer	380-480 Volt 50-60 Hertz 3 Phase
2	32671	Screw	
3	M413865	Power Distribution Block	
4	M413616	Heater Contactor	2 for 200-240 Volt 1 for 380-480 Volt
5	M413118	Fuse	2 Amp – All Voltages 240 Volt or Lower
	M414232	Fuse	3.5 Amp – All Except Australia
	M413621	Fuse	0.5 Amp – All Voltages 380 and Above
6	91024	Fuse Holder	
	M413544	Fuse Holder	All 380 Volt or Higher
7	70086301	Bracket, Fuse Holder	Low Voltage
	70086401	Bracket, Fuse Holder	Voltages 380 and Above
8	M413614	Fan Contactor	
9	51780	Screw for Contactor	

Rear Control Box – Gas

(European)



T459PZ3C

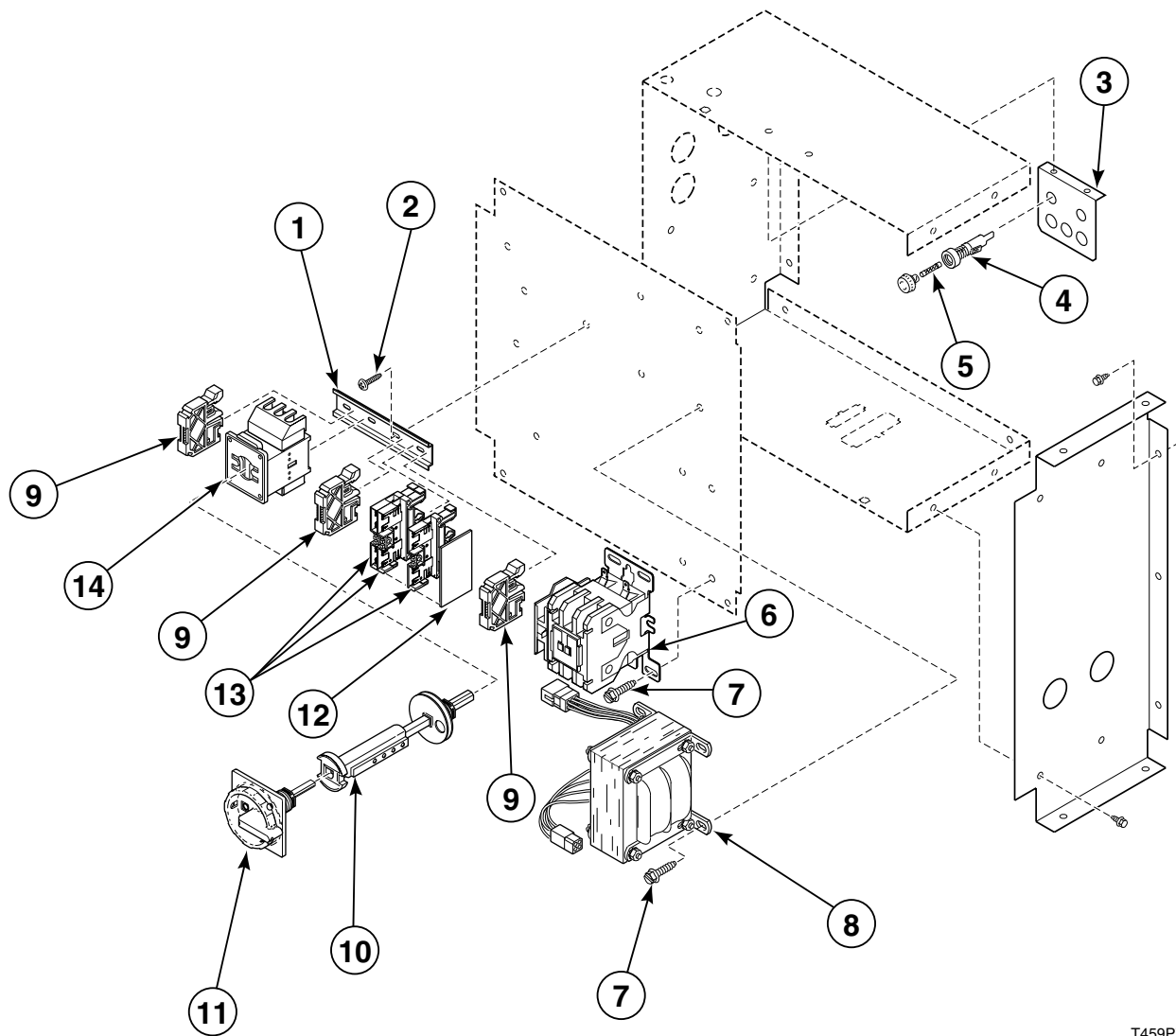
Rear Control Box – Gas

(European)

REF	PART #	DESCRIPTION	COMMENTS
1	M413433	Ignition Control	
2	M405824	Screw	
3	M413621	Fuse	0.5 Amp – 2 Required – 380 Volt and Above
	M413867	Fuse	2 Amp – 2 Required – Voltages 240 or Under
	M413889	Fuse	4 Amp – 1 Required – All Voltages
4	502591	Fuse Holder	
	M413544	Fuse Holder	All 380 Volt or Higher
5	70124101	Bracket, Fuse Holder	Voltages 240 and Below
	70124201	Bracket, Fuse Holder	Voltages 380 and Above
6	M413614	Contactor	
7	33562	Screw	
8	M414228	Transformer	60 Hertz 1 Phase
	M414229	Transformer	380-480 Volt/50-60 Hertz/3 Phase
9	70121001	End Stop	3 Required
10	M412368	Interlock Assembly	
11	M412208	Handle	
12	70121101	End Cover	1 Required
13	70120001	Terminal Block	3 Required
14	M412187	Disconnect Switch	20 Amp
15	70144401	Din Rail	101mm
16	430497	Screw	
REF	70006201	High Voltage Lead	

Rear Control Box – Steam

(European)



T459PZ3

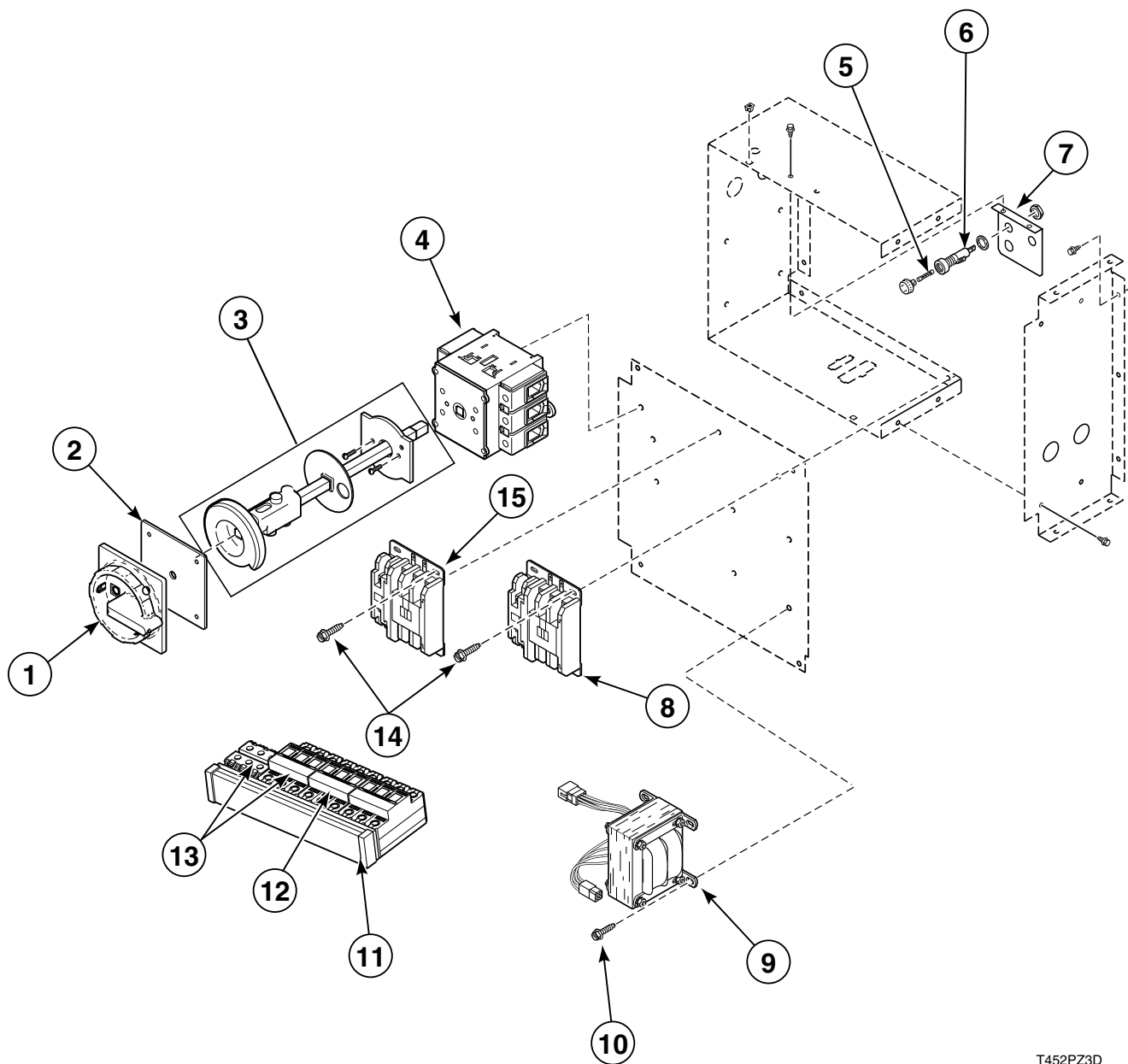
Rear Control Box – Steam

(European)

REF	PART #	DESCRIPTION	COMMENTS
1	70144401	Din Rail	101mm
2	430497	Screw	
3	70124101	Bracket, Fuse Holder	Voltages 240 and Below
	70124201	Bracket, Fuse Holder	Voltages 380 and Above
4	502591	Fuse Holder	
	M413544	Fuse Holder	All 380 Volt or Higher
5	M413621	Fuse	0.5 Amp – 2 Required – 380 Volt and Above
	M413867	Fuse	2 Amp – 2 Required – Voltages 240 or Under
	M413889	Fuse	4 Amp – 1 Required – All Voltages
6	M413614	Contacto	
7	33562	Screw	
8	M414228	Transformer	60 Hertz/1 Phase
	M414229	Transformer	380-480 Volt/50-60 Hertz/3 Phase
9	70121001	End Stop	3 Required
10	M412368	Interlock Assembly	
11	M412208	Handle	
12	70121101	End Cover	1 Required
13	70120001	Terminal Block	3 Required
14	M412187	Disconnect Switch	20 Amp

Rear Control Box – Electric

(European)



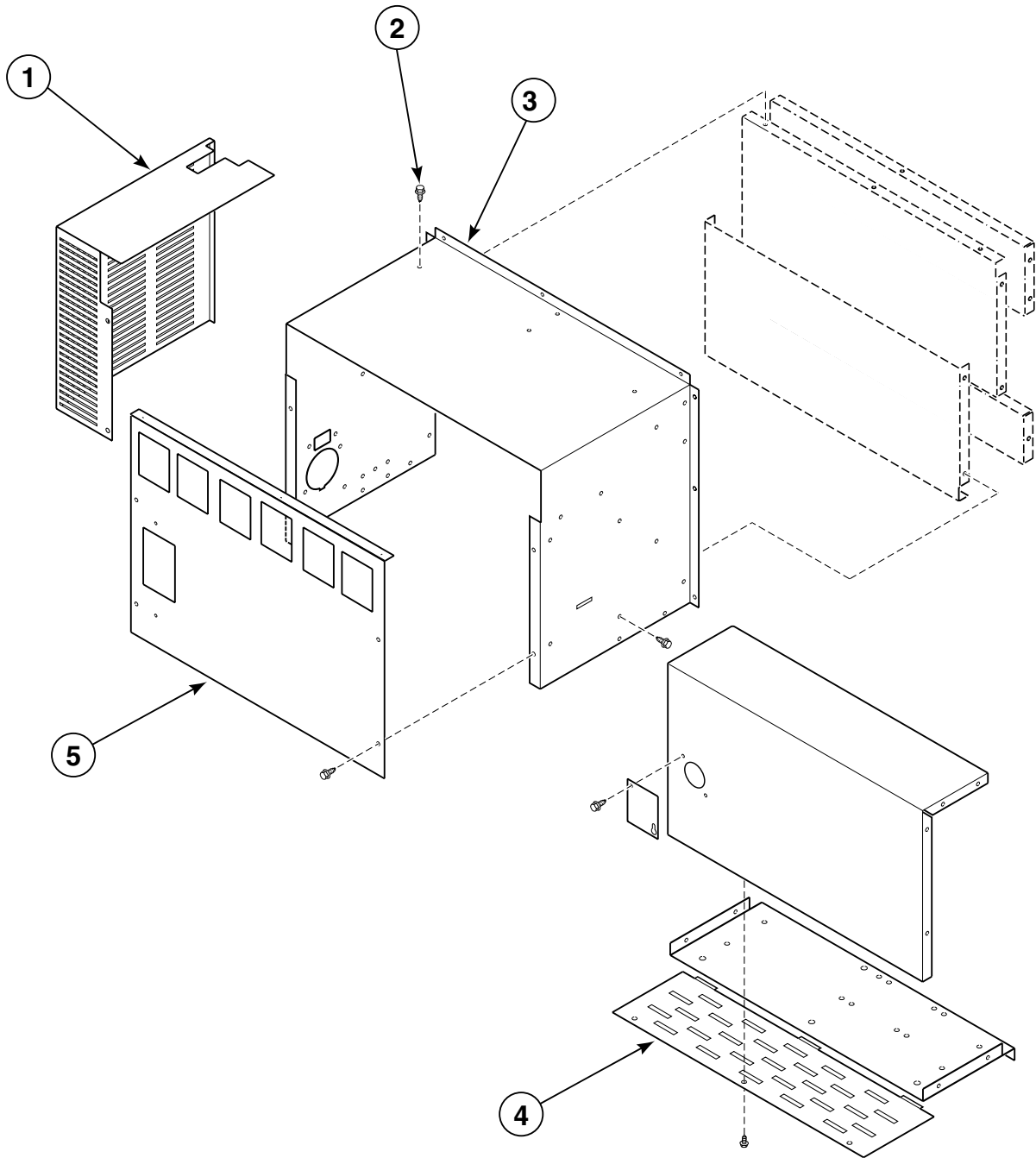
T452PZ3D

Rear Control Box – Electric

(European)

REF	PART #	DESCRIPTION	COMMENTS
1	M412207	Handle	
2	M412118	Gasket	
3	M412368	Interlock Assembly	
4	M412186	Disconnect Switch	
5	M413621	Fuse	0.5 Amp 600 Volt
	M413889	Fuse	4 Amp 250 Volt
6	502591	Fuse Holder	250 Volt
	M413544	Fuse Holder	600 Volt
7	70124201	Bracket, Fuse Holder	
8	M413614	Fan Contactor	
9	M414229	Transformer	
10	430497	Screw	
11	M412756	Buss Bar Assembly	9 Pos.
12	M412407	Circuit Breaker	8 Amp
13	M412045	Terminal Block	3 Pole (2 required on 380-415 Volt Models)
14	33562	Screw	
15	M413616	Heater Contactor	
REF	70172301	Din Rail	For Circuit Breaker – 51mm (Not Shown)
	M412692	Din Rail	For Terminal Blocks – 89mm (Not Shown)
	M412406	Circuit Breaker	40 Amp (2 required on 240 Volt Only)

Gas Burner Housing



T465PZ3E

Gas Burner Housing

REF	PART #	DESCRIPTION	COMMENTS
1	70071501	Cover, Gas Valve	Upper; FG Models prior to Serial No. 9807017398
	70133401	Cover, Gas Valve	Lower; FG Models prior to Serial No. 9807017398
	70210101	Cover, Gas Valve	RG Models after Serial No. 9807017398
2	430497	Screw	
3	70194601	Stove Top & Sides	
4	70068601	Burner Grill	
5	70183001	Stove Back	

Coindrop Assemblies for EC Models

PART #	DESCRIPTION
38462	Assembly, Coindrop–Token 118–1
38463	Assembly, Coindrop–Token 118–5
38464	Assembly, Coindrop–Canada \$.25
38465	Assembly, Coindrop–Canada \$.25/1.00
38467	Assembly, Coindrop–Australia \$.20/1.00
38469	Assembly, Coindrop–Belgium 5/20 BEF
38472	Assembly, Coindrop–England 20p/1£
38479	Assembly, Coindrop–U.S.A. \$.25
38517	Assembly, Coindrop–Denmark 1/5 DKK
38518	Assembly, Coindrop–France 2/10 FRF
38519	Assembly, Coindrop–Japan 100/500 yen
38475	Assembly, Coindrop–Japan 100 yen
38520	Assembly, Coindrop–Italy 500 lira
38521	Assembly, Coindrop–Korea 100/500 won
38522	Assembly, Coindrop–New Zealand \$.20/1.00
38963	Assembly, Coindrop–Token 118–16
38964	Assembly, Coindrop–dual–Taiwan
38478	Assembly, Coindrop–Taiwan–10NT
39157	Assembly, Coindrop–Israel shekel

Rotary Coin Meter Assemblies for CD Models

PART #	DESCRIPTION
70112401	Coinmeter, 24 Volt Australia \$.20
70112501	Coinmeter, 24 Volt Australia \$1
70112701	Coinmeter, 24 Volt U.S.A. \$.25 60 Hertz
70137301	Coinmeter, 24 Volt Standard Token 118–1 60 Hertz
70137401	Coinmeter, 24 Volt Standard Token 118–5 60 Hertz
70138401	Coinmeter, 24 Volt U.S.A. \$.25 50 Hertz
70151301	Coinmeter, 24 Volt South Africa .20
M412542	Coinmeter, 24 Volt England 20p
M412543	Coinmeter, 24 Volt France 2 FRF
M412544	Coinmeter, 24 Volt Denmark 1 DKK
M412545	Coinmeter, 24 Volt Belgium 5 BEF
M412546	Coinmeter, 24 Volt Standard Token 118–1 50 Hertz
M412547	Coinmeter, 24 Volt Standard Token 118–5 50 Hertz
M413195	Coinmeter, 24 Volt France 5 FRF

Timer Motors for Rotary Coin Meter Assemblies (CD Models)

PART #	DESCRIPTION	DESCRIPTION
70218301	Timer Motor	24 Volt, 50 Hertz
70218201	Timer Motor	24 Volt, 60 Hertz

Gas Burner Orifice Table†

MODEL NO.	ALTITUDE		GAS TYPE	PART NUMBER	DRILL SIZE
	FEET	METERS			
0300DFG	0-2,000	0-609	L.P. (Propane) Gas	70070902	7/64
	2,001-4,000	610-1220		M411375	#36
	4,001-6,000	1221-1830		M401024	#37
	6,001-8,000	1831-2440		M411376	#38
	8,001-10,000	2441-3050		M406361	#40
	0-2,000	0-609	Natural Gas	M411511	#15
	2,001-4,000	610-1220		M411373	#16
	4,001-6,000	1221-1830		M411374	#17
	6,001-8,000	1831-2440		M402995	#19
	8,001-10,000	2441-3050		M401002	#20
0300DRG	0-2,000	0-609	L.P. (Propane) Gas	M406361	#40
	2,001-4,000	610-1220		M403017	#42
	4,001-6,000	1221-1830		M403017	#42
	6,001-8,000	1831-2440		M406184	#43
	8,001-10,000	2441-3050		M401011	#44
	0-2,000	0-609	Natural Gas	M401002	#20
	2,001-4,000	610-1220		M402996	#22
	4,001-6,000	1221-1830		M402980	#24
	6,001-8,000	1831-2440		M401000	#26
	8,001-10,000	2441-3050		M401014	#28

† These tables DO NOT apply to European models.

NOTE: Each kit contains parts to convert both gas valves.

L. P. Gas Kit Table†

MODEL NO	ALTITUDE	PART NUMBER	BTU INPUT
0300DFG	0-2,000	M4707P3‡	176000
	2,001-4,000	M4708P3‡	176000
	4,001-6,000	M4708P3‡	176000
	6,001-8,000	M4709P3‡	176000
	8,001-10,000	M4710P3‡	176000
0300DRG	0-2,000	M4707P3	145000
	2,001-4,000	M4708P3	145000
	4,001-6,000	M4708P3	145000
	6,001-8,000	M4709P3	145000
	8,001-10,000	M4710P3	145000

‡Order two Rerate Kits (M4729P3) in addition to this kit.

Motor Usage Table

SERIAL PLATE VOLTAGE	GAS	STEAM	ELECTRIC	BLOWER MOTOR	RG CYLINDER MOTOR	FG PRE-RERATE CYLINDER MOTOR
100 Volt/ 50-60 Hertz/ 1 Phase	✓	✓		70020201	70168301	70168301
120 Volt/ 60 Hertz/ 1 Phase	✓	✓		70020201	70168301	70168301
200-208 Volt/ 60 Hertz/ 3 Phase			✓	70020201	70168301	70168301
200 Volt/ 50 Hertz/ 1 or 3 Phase			✓	70020201	70168301	70168301
200 Volt/ 50 Hertz/ 3 Phase	✓	✓		70069501	70062801	70062801
200-208 Volt/ 60 Hertz/ 1 Phase			✓	70020201	70168301	70168301
230-240 Volt/ 50 Hertz/ 1 Phase	✓	✓	✓	70070001	70171601	70171601
230-240 Volt/ 50 Hertz/ 3 Phase			✓	70070001	70171601	70171601
	✓	✓		70069501	70062901	70062901
230 Volt/ 50 Hertz/ 1 Phase	✓	✓	✓	70070001	70171601	70171601
230 Volt/ 50 Hertz/ 3 Phase			✓	70070001	70171601	70171601
	✓	✓		70069501	70062901	70062901
240 Volt/ 60 Hertz/ 1 or 3 Phase			✓	70020201	70168301	70168301
240 Volt/ 60 Hertz/ 3 Phase	✓	✓		70069501	70062801	70062801
380 Volt/ 50 Hertz/ 3 Phase	✓	✓		70069501	70062801	70062801
			✓	70069501	70062801	70062801
400-415 Volt/ 50 Hertz/ 3 Phase			✓	70069501	70062801	70062801
460-480 Volt/ 60 Hertz/ 3 Phase	✓	✓	✓	70069501	70062801	70062801
120-208-240 Volt/60 Hertz/ 1 Phase, starting with Serial No. 9903002218 (20 Amp Motor)	✓	✓		70185901	70185801	
NOTE: The following capacators are available for 20 Amp tumblers: 70211401 Run Capacitor for 70185801 Drive Motor 70211502 Start Capacitor for 70185801 Drive Motor 70211501 Start Capacitor for 70185901 Blower Motor						

Front Panel Assemblies†

PART NO	UPPER/LOWER	DESCRIPTION
70176001*	Upper	Painted; JT/ST Models
70176002	Upper	Stainless Steel; JT/ST Models
70176003*	Upper	Painted; European JC/SC Models
70176004	Upper	Painted; European JC/SC Models
70176101*	Lower	Painted; JT/ST Coin Models
70176102	Lower	Stainless Steel; JT/ST Coin Models
70176103*	Lower	Painted; JT/ST OPL Models
70176104	Lower	Stainless Steel; JT/ST OPL Models
70176105*	Lower	Painted, European JC/SC Coin Models
70176106	Lower	Stainless Steel; European JC/SC Coin Models
70176107*	Lower	Painted; European JC/SC OPL Models
71076108	Lower	Stainless Steel; European JC/SC OPL Models

* Add letter to designate color.

V – Orange	B – Battina Green
K – Red	H – Harvest Gold
L – Almond	X – Electric Blue
W – White	P – Turquoise

†All Front Panel Assemblies include M401223 (Door Catch) and M400003 (Pop Rivet)

Wire Harness Table

Part No.	Description	From - To	Used On
431611	Dual Drop Harness Assembly	Dual Drop to EDC Control	All Dual Drop EDC Models
431613	Card Reader Harness Assembly	Card Reader to EDC Control	All Card Reader EDC Models
70055801	EDC Control Panel Harness	Control Panel to Main Harness	All Non-European models with EDC Controls
70082501	MT Control Panel Harness	Control Panel to Main Harness	All Manual Timer models
70082601	CD Control Panel Harness	Control Panel to Main Harness	All Rotary Coindrop models
70082701	EU EDC Control Panel Harness	Control Panel to Main Harness	All European models with EDC Control
70082801	OM/RM Control Panel Harness	Control Panel to Main Harness	All OM and RM Models (Non EU)
70082901	OM/RM Control Panel Harness	Control Panel to Main Harness	All European OM and RM Models
70067001	Main Interlock Harness	Front to Rear Control Tray	All Models
70083001	Control Tray Harness	Connects Control Tray to Interlock Harness	All Non-Reversing Models
70083201	Ignition Control Harness	Interlock Harness to Ignition Control	All Gas Models except European and Australian
70083301	Ignition Control Harness	Interlock Harness to Ignition Control	All European and Australian Gas Models
70084101	MT/CD Temperature Board Configuration Harness	Temperature Control Board to Temperature Switch	All 0220S & 0270S MT and CD Models
70084102	MT/CD Temperature Board Configuration Harness	Temperature Control Board to Temperature Switch	All 0350S MT and CD Models
70084201	EDC Temperature Board Configuration Harness	Temperature Control Board to Temperature Switch	All 0220S & 0270S EDC Models
70084202	EDC Temperature Board Configuration Harness	Temperature Control Board to Temperature Switch	All 0350S EDC Models
70084301	OM Temperature Board Configuration Harness	Temperature Control Board to Temperature Switch	All 0350S OM Models
70084302	RM Temperature Board Configuration Harness	Temperature Control Board to Temperature Switch	All 0350S RM Models
70084303	OM Temperature Board Configuration Harness	Temperature Control Board to Temperature Switch	All 0220S & 0270S OM Models
70113101	Steam Jumper Harness	Plugs Into Junction Box Harness	All Steam Models
M413997	Steam Valve Harness	Junction Box Harness to Steam Valve	All Steam Models
70055901	1 Phase Electric Power Harness	Terminal Block to Relay	All 1 Phase Electric Models
70120201	3 Phase Electric Power Harness	Terminal Block to Relay	All 3 Phase Electric Models
70138601	Electric Heater Cable Set (H1-H3)	Heater Contactor to Elements	All Electric Models
70138701	Electric Heater Cable Set (H4-H6)	Heater Contactor to Elements	All Electric Models
70139401	Electric Power Buss Harness	Control Tray to Accessory Box	All Electric Models
70142501	Electric Power Buss Harness	Connects Power Buss to Interlock Harness	All Electric Models
M413504	100 Volt Transformer Configuration Harness	Transformer Primary to Junction Box Harness	100 Volt/ 50-60 Hertz/ 1 Phase Gas and Steam Models
M413505	120 Volt Transformer Configuration Harness	Transformer Primary to Junction Box Harness	120 Volt/ 50-60 Hertz/ 1 Phase Gas and Steam OM/RM Models
M413506	208 Volt Transformer Configuration Harness	Transformer Primary to Junction Box Harness	208 Volt/ 60 Hertz/ 1 and 3 Phase Gas and Electric Models
M413507	240 Volt Transformer Configuration Harness	Transformer Primary to Junction Box Harness	EU Gas and Steam 230 Volt/50Hertz/1 Phase; Gas, Steam and Electric 230-240 Volt/ 50-60 Hertz/ 3 Phase
M413508	380 Volt Transformer Configuration Harness	Transformer Primary to Junction Box Harness	380 Volt/ 50 Hertz/ 3 Phase Gas, Steam and Electric Models

Part No.	Description	From - To	Used On
M413509	415 Volt Transformer Configuration Harness	Transformer Primary to Junction Box Harness	415 Volt/ 50 Hertz/ 3 Phase Gas, Steam and Electric Models
M413510	480 Volt Transformer Configuration Harness	Transformer Primary to Junction Box Harness	480 Volt/ 60 Hertz/ 3 Phase Gas, Steam and Electric Models
70083401	1 Phase Fan Motor Harness	Junction Box to Fan Motor	1 Phase Models
70083501	3 Phase Fan Motor Harness	Junction Box to Fan Motor	3 Phase Models
70053601	1 Phase Cylinder Motor Harness	Junction Box to Cylinder Motor	1 Phase Non-reversing Models
70083701	3 Phase Cylinder Motor Harness	Junction Box to Cylinder Motor	3 Phase Models
70083801	Coin Vault Switch Harness	Main Harness to Coin Vault Switch	All Coin Models with EDC
70084001	Bypass Jumper Assembly	Plugs into Main Harness- Eliminates Coin Vault Circuitry	All MT and OM Non-European and all Cardreader models
70120101	Emergency Stop Switch Harness (2 Pole)	Main Harness to Emergency Stop Switch	All EU Manual Timer Models
70083901	Emergency Stop Switch Harness	Main Harness to Emergency Stop Switch	All EU MT, OM and RM Models
70120901	Jumper Disconnect Assembly	Disconnect Switch to Terminal Block	All European Gas and Steam Models
70121201	EU Door Switch Harness		All European Models
M413650	Gas Valve Harness		Gas Models
70083101	Control Tray Harness	Connects Control Tray to Interlock Harness	All 0350S Reversing Models
70083601	Reversing Cylinder Motor Harness - 1 Phase	Junction Box to Fan Motor	All 1 Phase 0350S Reversing Models
70120701	Low Voltage Motor Configuration Jumper		100-120 Volt 0350S RM Models
70120801	High Voltage Motor Configuration Jumper		200-240 Volt 0350S RM Models
70139201	Light Blue Jumper Wire		All 1 Phase 0350S Reversing Models
M413883	2 Wire Jumper Set Assembly		All 200-240 Volt Electric models
M413933	8 Gauge Jumper Wire (7.5)		200-240 Volt Non European Electric Models; 1 Phase (2 required) 3 Phase (3 required)
M413934	8 Gauge Jumper Wire (8.00)		380-415 Volt European Electric Models; 1 Phase (1 Required) 3 Phase (3 Required)
M414121	8 Gauge Jumper Wire (6.75)		All Electric Models with 1 Phase Motors
M413624	3 Phase Reversing Control Jumper (Upper)		3 Phase 0350S Reversing Models except 240 Volt or less
M413694	1 Phase Reversing Control Jumper (Upper)		1 Phase 0350S Reversing Models except 240 Volt or less
M413625	3 Phase Reversing Control Jumper (Lower)		3 Phase 0350S Reversing Models except 240 Volt or less
M413695	1 Phase Reversing Control Jumper (Lower)		1 Phase 0350S Reversing Models except 240 Volt or less
70138801	6 Gauge Single Wire Jumper (8.00)		All 3 Phase Electric European Models
70138901	2 Gauge Single Wire Jumper (7.5)		All 230 Volt/ 50 Hertz/ 1 Phase Electric European Models
70139001	8 Gauge Single Wire Jumper (10.00)		All 200-240 Volt Electric Non European Models 1 Phase (2 Required) 3 Phase (3 Required)
70139101	8 Gauge Single Wire Jumper (11.00)		All 1 Phase Electric Non-European Models

Parts Index

A

Acorn Nut for Door Strike M400645	21
Air Flow Switch 70068701	29
Air Flow Vane 70068901	29
Assembly, Coindrop	
38462 (token)	50
38463 (token)	50
38464 (Canada)	50
38465 (Canada)	50
38467 (Australia)	50
38469 (Belgium)	50
38472 (England)	50
38475	50
38478	50
38479 (U.S.A.)	50
38517 (Denmark)	50
38518 (France)	50
38519 (Japan)	50
38520 (Italy)	50
38521 (Korea)	50
38522 (New Zealand)	50
38963 (token)	50
38964 (Taiwan)	50
39157 (Israel)	50
Assembly, Control Door with studs	
70175903	7
70175904	7
70175905	11
70175906	11
70175907	9
70175908	9
Assembly, Door, Control with studs	
70175901	5
70175902	5
Assembly, Dryer Control & Tape M414049P	5
Assembly, Fan 70123301	27
Assembly, Front Plate with studs	
70173801	19
70173802	19
Assembly, Lint Screen 70173201	19
Assembly, Thermistor M411758	27

B

Baffle, Partition	
70022001	15
70022101	15
70057101	15
70198701	17
70198801	15, 17
70215302	17
70215303	17

Bearing 430038	23
Bearing Housing 70013901	23
Belt 70053103	25
Bolt 70062401	25
BPT to NPT Adapter 70131901	31
Bracket	
70026901	19
70179601	25
70188301	29
Bracket, Chassis Mounting 70119001	7
Bracket, Door Switch 70119301	13
Bracket, Fuse Holder	
70086301	37, 39, 41
70086401	37, 39, 41
70124101	43, 45
70124201	43, 45, 47
Bracket, Idler Lock 70173701	25
Bracket, Latch Mounting	
70119101	5, 7
70119801	9
Bracket, Motor Mount 70127301	25
Bracket, Temperature Control	
70118901	9
70131301	11
70179001	9
70179101	11
Bracket, Temperature Switch 70108001	9, 11
Burner Grill 70068601	49
Burner Orifice See Table Page 51	
Buss Bar Assembly M412756	47

C

Card Reader Control 39685	7
Center Seal Clip 70014003	17
Channel, Motor 70179501	25
Circuit Breaker	
M412406	47
M412407	47
Clip	
27222	25
70030401	15
70030501	17
Clips for Retaining Trim Pieces M4009712	13

Close Nipple	
431486	31
Coin Vault	
70180101	17
Coindrop	
Also see Table Page 50	
Coinmeter	
M412542 (England)	50
M412543 (France)	50
M412544 (Denmark)	50
M412545 (Belgium)	50
M412546 (Standard)	50
M412547 (Standard)	50
M413195 (France)	50
70112401 (Australia)	50
70112501 (Australia)	50
70112701 (U.S.A.)	50
70137301 (Standard)	50
70137401 (Standard)	50
70138401 (U.S.A.)	50
70151301 (South Africa)	50
Contactora	
M413614	37, 39, 43, 45
Control Housing	
70119901	13
Cover	
70112801	27
70202501	25
Cover, Air Flow Switch	
70188201	29
Cover, Gas Valve	
70071501	49
70133401	49
70210101	49
Cylinder Assembly	
70175101	23
70175102	23
Cylinder Assembly with Channel (Perforated Rib)	
70227301	23
Cylinder Assembly, with Channel (Perforated Ribs)	
70027302	23
Cylinder Motor	
70062801	53
70062901	53
70168301	53
70171601	53
70185801	53
Cylinder Seal	
70066001	17

D

Din Rail	
M412692	47
70144401	43, 45
70172301	47
Disconnect Switch	
M412186	47
M412187	43, 45
Door Assembly Complete	
70176501	21
70176502	21
70176503	21
70176504	21

Door Catch	
M401223	13
Door Glass	
M400784P	21
70133601P	21
Door Glass Seal	
70211901	21
Door Handle	
M400133	21
430117	21
70024801	21
70133501	21
Door Hinge	
70115901*	21
70115902	21
Door Rim Gasket	
70211601	21
Door Strike Screw	
M400661	21
Door Switch	
70107001	13
70125101	13
Door Switch Actuator	
70215001P	21
Dual Drop Multiplier Kit	
38571	5

E

Elbow, 90 Degree	
70079601	31
Electronic Coin Control	
M4721P3	5
M4722P3	5
Electronic Coin Control Kit	
M4691P3	5
M4692P3	5
Electronic Control	
M414049P	7
End Cap—Cylinder Baffle	
70070101	23
End Cover	
70121101	43, 45
End Stop	
70121001	43, 45
Exhaust Damper	
70056201	27
Exhaust Thimble	
70017801	27

F

Fan Contactor	
M413614	41, 47
Fan Motor	
Also See Table Page 114	
70020201	53
70069501	53
70070001	53
70185901	53
Felt Seal	
70193801	23

Flex Gas Line	
70112901	31
Front Panel Assembly	
70176001*	54
70176002	54
70176003*	54
70176004	54
70176101*	54
70176102	54
70176103*	54
70176104	54
70176105*	54
70176106	54
70176107*	54
71076108	54
Fuse	
M413118	37, 39, 41
M413621	37, 39, 41, 43, 45, 47
M413867	43, 45
M413889	43, 45, 47
M414232	37, 39, 41
M414240	37, 39
Fuse Access Cover	
70126601	37, 39
Fuse Holder	
M413544	37, 39, 41, 43, 45, 47
502591	43, 45, 47
91024	37, 39, 41

G

Gas Burner	
70184801	29
Gas Burner Orifice	
M401000	52
M401002	52
M401011	52
M401014	52
M401024	52
M402980	52
M402995	52
M402996	52
M403017	52
M406184	52
M406361	52
M411373	52
M411374	52
M411375	52
M411376	52
M411511	52
70070902	52
Gas Valve Coil	
70186701	31
Gas Valve—Regulated	
M4733P3	31
Gas Valve—Unregulated	
M4734P3	31
Gasket	
M412118	47
Gasket, Baffle	
70015701	15, 17
70015702	15, 17
70198801	17
Gasket, Lint Drawer	
70117901	13

Gasket, Lint Frame	
70109201	19
Grill	
70214901	33

H

Handle	
M412207	47
M412208	43, 45
Heater Contactor	
M413616	41, 47
Heater Element	
70034401	33
70034402	33
70034403	33
High Voltage Lead	
70006201	43
Hinge Bushing	
70071101	21
Hinge Cam	
70174801	21
Hinge Lug	
70174701	21
Hinge Pin	
70071401	21

I

Idler Arm	
70059201	25
Idler Roller	
70050401	25
Ignition Cable	
70006201	37
Ignition Control	
M413433	37, 43
M413532	37
Insulator	
M413862	39
M413863	37
Interlock Assembly	
M412368	43, 45, 47

J

Jamnut	
M400022	23, 27
Jumper Bar	
M400869	33

K

Key	
70144101	27
70155602	19
Key for Lock	
70155601	13
Kickplate	
70117605	13

70117606	13
Kit, Coin Chute and Plate	
70216201P	17
Knob, Emergency Stop	
M412232	13

L

Label, Yellow for Emergency Stop	
M412235	13
Latch Mounting	
70119801	11
Latch, Control Door	
431318	7
Latch, Door-control	
431318	5
Leveling Leg	
34319	17, 27
Lighted Push Button Switch	
M413431	37
Light, Heat & Cooling	
70082201	11
Lock	
70155502	19
Lock, Control Door	
70155501	13
L. P. Gas Kit	
M4707P3	52
M4708P3	52
M4709P3	52
M4710P3	52

M

Manual Timer Control	
M4694P3	11
M4724P3	11
Motor	
See Table Page 114	
Motor Pulley	
70189101	25
70189103	25
Motor Relay	
70210901	37, 39
Mounting Bracket, Card Reader	
M414120	7

N

Nut	
M412986	23, 25
Q6163	33
21899	17, 27
29786	19
430576	15, 17
52566	25
70054	5, 7, 9, 11, 21
70072901	13

O

O Ring	
431482	31
Overlay, Card Reader	
70115701	7
70136201	7
Overlay, Coin Drop	
70115501	9
70128201	9
70136801	9
Overlay, Dual Coindrop	
70129601	5
70129801	5
Overlay, EC	
70113601	5
70113901	5
70129301	5
70129401	5
70135501	5
70135701	5
70136101	5
Overlay, Lower Lint Drawer	
70115201	19
70115301	19
70136401	19
70136601	19
Overlay, Manual Timer	
70114401	11
70128101	11
70129901	11
70130001	11
70135401	11
70135601	11
Overlay, Single Coindrop	
70129501	5
70129701	5
Overlay, Upper Lint Drawer	
70114701	19
70115101	19
70136401	19
70136501	19
Overlay, Yoke	
70114601	13
70137001	13

P

Palnut	
M400034	23, 27
Pipe Nipple	
70139601	31
Pipe Tee	
70071801	31
Plate	
70051201	19
Pop Rivet	
M400003	13
Power Distribution Block	
M413865	41

R

Rear Cylinder Seal	
70013701	23
Relay	
M412534	9, 11
Rivets	
70058501	17
70058502	17
70058561	15
Roller	
70052601	15, 17
Roller Shaft	
70017701	15, 17
Roller Support Bracket	
7055001	17
Rotary Coin Meter Control Kit	
M4693P3	9
M4723P3	9
Rotary Coindrop	
Refer to Table on page 52	
Run Light	
70082201	9

S

Screw	
M401902	37, 39
M401938	13, 29
M402797	9, 11, 29, 33
M405824	37, 39, 43
M411052	11
M411097	13
05161	29
20852	19
32671	41
33562	43, 45, 47
430497	7, 27, 29, 31, 33, 43, 45, 47, 49
430648	25
431539	25
501524	5, 7, 21
51780	37, 39
61199	21
62588	23
70033502	13
70069901	13
70113001	21
70126101	27
70132301	13
Screw for Contactor	
51780	37, 39, 41
Screw for Relay	
51778	37, 39
Screw, Internal Hex	
70033502	21
Screw, Socket Head	
431484	31
Shroud, Rotary Coindrop	
70061701	9
Shutoff Valve	
M412562	31
Side Panel	
70056601*L	15, 17

Spark Electrode	
70032801	29
Spring	
70045301	25
Spud Adapter	
70034201	31
Stabilizer Bracket	
70200301	27
Start Switch	
70108501	9, 11
Steam Coil	
70035801	35
70035901	35
Steam Solenoid Valve	
M413445	35
70205601	35
Steam Valve Solenoid	
M412258	35
70205701	35
Stove Back	
70183001	49
Stove Top & Sides	
70194601	49
Stud Plate	
430352	23
Support, Temperature Control	
34896	9, 11
Switch, Emergency Stop	
70116701	13
Switch, Lint Drawer	
431159	15, 17
Switch, Push Button	
70107001	5

T

Tab	
70179701	25
Temperature Control Board	
431347P	9, 11
Temperature Knob	
431357	9, 11
70080601	9, 11
Temperature Switch	
431353	9, 11
Terminal Block	
M412045	47
430640	37
430642	39
70120001	43, 45
Thermal Shield	
70036601	15, 17
Thermostat, High Limit	
M409443	35
M410220	33
Thermostat, High-Limit	
M411307	27
70186401	27
Thermostat, Stove Limit	
M409219	29
70186301	29
Time Delay Circuit Board	
70175301	9, 11

Timer Knob	
M410927	11
70082101	11
Timer Motor	
70218201	51
70218301	51
Timer, Cooling	
70131801	11
Timer, Heat	
70131701	11
Transformer	
M414228	37, 39, 41, 43, 45
M414229	37, 39, 41, 43, 45, 47
M414230	37, 39, 41
Trim, Coin Vault	
70117501	13
70117502	13
70117503	13
Trim, Control	
70116901	13
70116902	13
70117001	13
70120501	13
Trunnion Assembly	
70189301	23
Twin Speed Nut	
M400979	29

U

Union	
H86000031	31

W

Washer	
H88510516	13
M400991	23
430782	25
70017401	27
Washer for Coindrop Mounting	
M405535	9
Wire Harness	
M413504	55
M413505	55
M413506	55
M413507	55
M413508	55
M413509	56
M413510	56
M413624	56
M413625	56
M413650	56
M413694	56
M413695	56
M413883	56
M413933	56
M413934	56
M413997	55
M414121	56
431611	55
431613	55
70053601	56
70055801	55
70055901	55

70067001	55
70082501	55
70082601	55
70082701	55
70082801	55
70082901	55
70083001	55
70083101	56
70083201	55
70083301	55
70083401	56
70083501	56
70083601	56
70083701	56
70083801	56
70083901	56
70084001	56
70084101	55
70084102	55
70084201	55
70084202	55
70084301	55
70084302	55
70084303	55
70113101	55
70120101	56
70120201	55
70120701	56
70120801	56
70120901	56
70121201	56
70138601	55
70138701	55
70138801	56
70138901	56
70139001	56
70139101	56
70139201	56
70139401	55
70142501	55