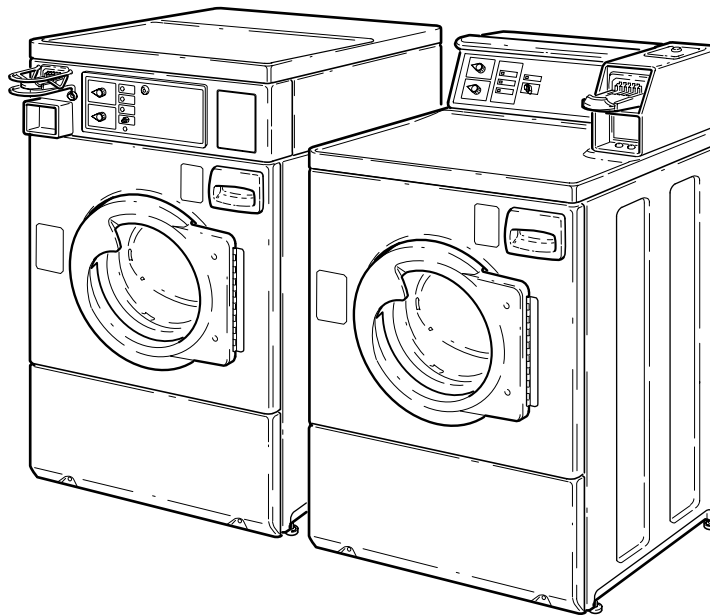


Commercial Frontload Washers

Refer to Page 3 for Model Numbers



H018C

Front Control

Models HWF261 *E,
HWF261 *H, SWF261 *E
and SWF261 *H

Rear Control

Models HWR261 *E,
HWR261 *H, SWR261 *E,
SWR261 *H,
SWRB61 *H, SWRD61 *H,
SWRB61 *J and SWRF61 *J

Table of Contents

Title	Page
Parts Ordering Information	2
Nameplate Location	2
Model Identification	3
Control Panel and Controls	4
Cabinet Top and Control Cabinet	6
Timer, Motor Control Board, Pressure Switch and Relays	8
Timer, Meter Case, Service Door and Cabinet Top	10
Coin Drop, Meter Case, Service Door and Cabinet Top	12
Security Case, Card Reader and Cabinet Top	14
Control Panel, Control Hood and Controls	16
Control Panel, Control Hood and Controls	18
Control Panel, Control Hood and Controls	20
Front Panel, Door Assembly and Door Seal	22
Front Panel, Door Assembly and Door Seal	24
Dispenser Assembly	26
Mixing Valve, Inlet Hose and Dispenser Hose	28
Outer Tub, Front, Clamp Ring and Inner Basket	30
Bearing Housing Assembly and Pulley	32
Motor and Belt	34
Hoses and Pump	36
Base, Side Panels and Rear Panel	38
Shipping Materials	40
Wire Ties, Harness Clips and Power Cord	42
Labels	44
Wire Harnesses and Wires	46
Parts Index	47

© Copyright 2000, Alliance Laundry Systems LLC

All rights reserved. No part of the contents of this book may be reproduced or transmitted in any form or by any means without the expressed written consent of the publisher.

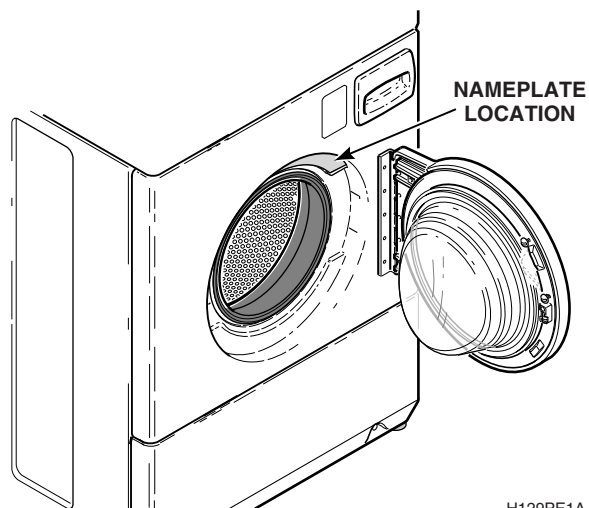
Parts Ordering Information

If literature or replacement parts are required, contact the source from whom the machine was purchased or contact Alliance Laundry Systems at (920) 748-3950 for the name and address of the nearest authorized parts distributor.

For technical assistance, call (920) 748-3121.

Nameplate Location

When calling or writing about your product, be sure to mention model and serial numbers. Model and serial numbers are located on nameplate(s) as shown.



H129PE1A

Model Identification

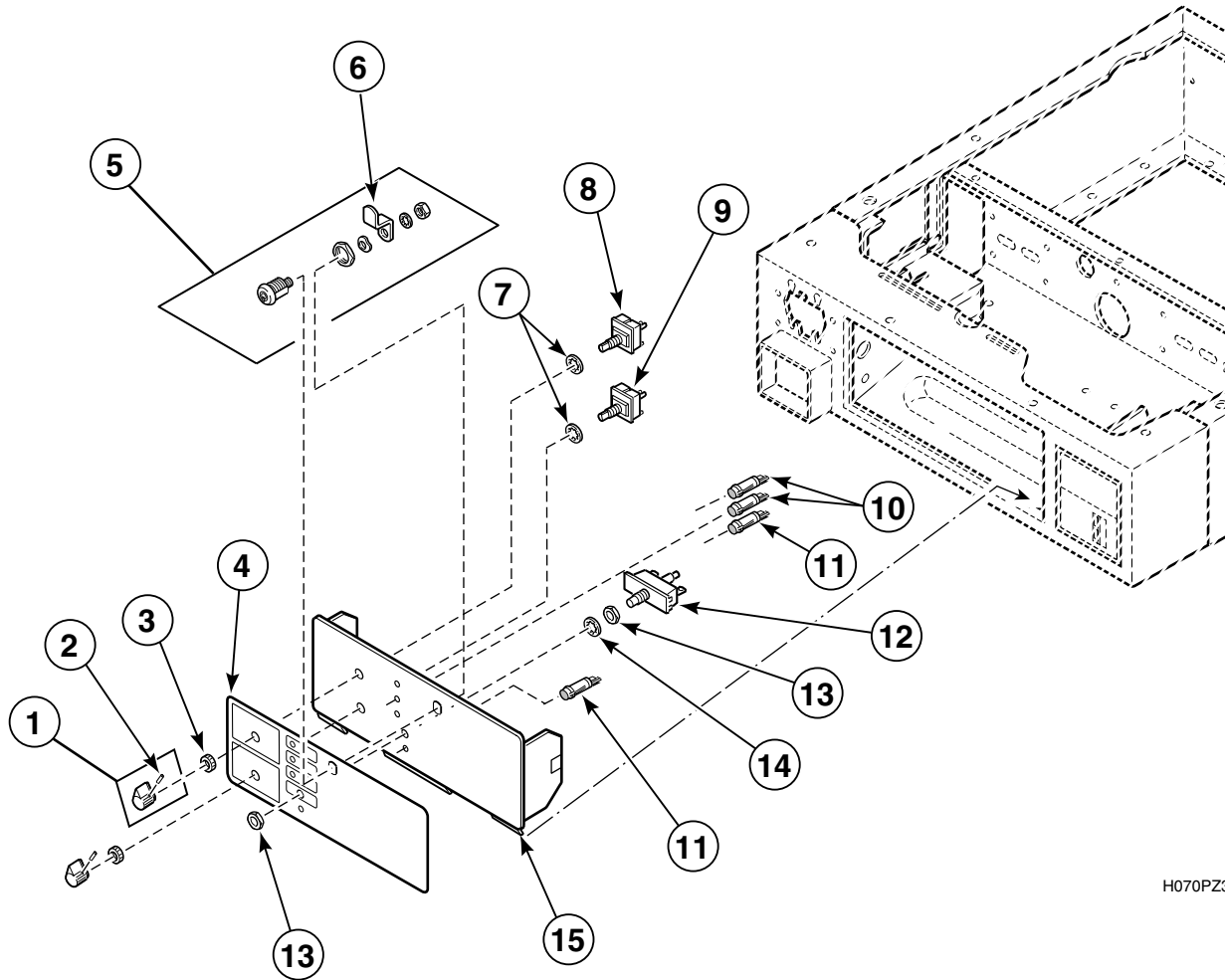
Information in this manual is applicable to these washers:

Model Number	Front Control	Rear Control
HWF261*E	X	
HWF261*H	X	
SWF261*E	X	
SWF261*H	X	
HWR261*E		X
HWR261*H		X
SWR261*E		X
SWR261*H		X
SWRB61*H		X
SWRB61*J		X
SWRD61*H		X
SWRF61*J		X

* Add Letter To Designate Color. L – Almond W – White

Control Panel and Controls

Models HWF261*E, HWF261*H, SWF261*E and SWF261*H



H070PZ3A

* Add Letter To Designate Color. L – Almond W – White

Control Panel and Controls

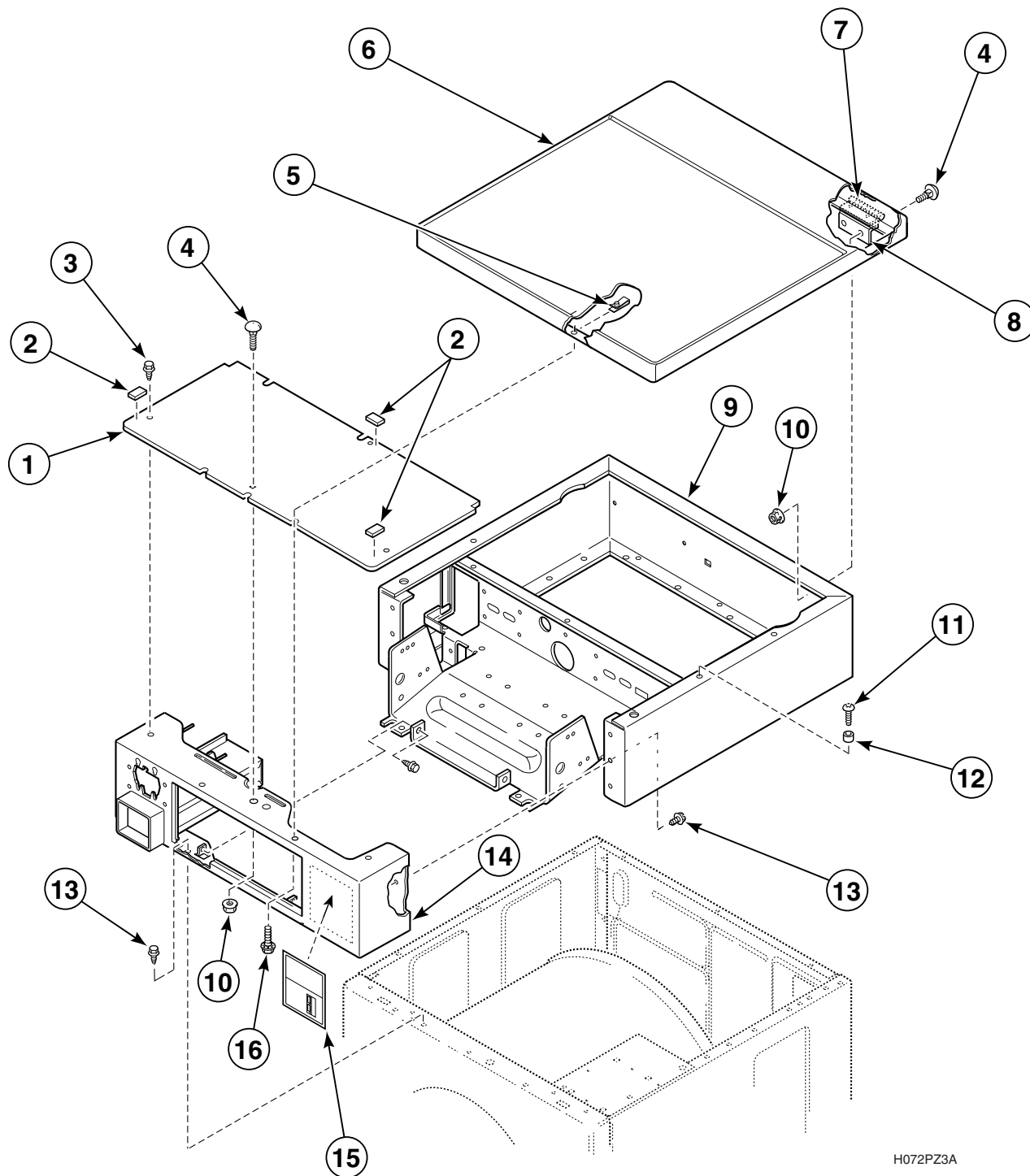
Models HWF261*E, HWF261*H, SWF261*E and SWF261*H

REF	PART #	DESCRIPTION	COMMENTS
1	39897	Control Knob Assembly	
2	20310	Setscrew	
3	24205	Knurled Nut	
4	800260	Control Panel Overlay	Models SWF261*E and SWF261*H
	800495	Control Panel Overlay	Models HWF261*E and HWF261*H
5	27260	Lock Assembly	
6	27261	Cam	
7	91176	Lockwasher	
8	685595	Temperature Switch	
9	800404	Motor Speed Switch	
10	32464	Indicator Light	110 Volt – In Use or Close Door
11	32519	Indicator Light	230 Volt – Spin or Door Locked
12	55899	Start Switch Assembly	
13	52947	Nut	
14	25820	Lockwasher	
15	800273W	Control Panel Frame	

* Add Letter To Designate Color. L – Almond W – White

Cabinet Top and Control Cabinet

Models HWF261*E, HWF261*H, SWF261*E and SWF261*H



H072PZ3A

* Add Letter To Designate Color. L – Almond W – White

Cabinet Top and Control Cabinet

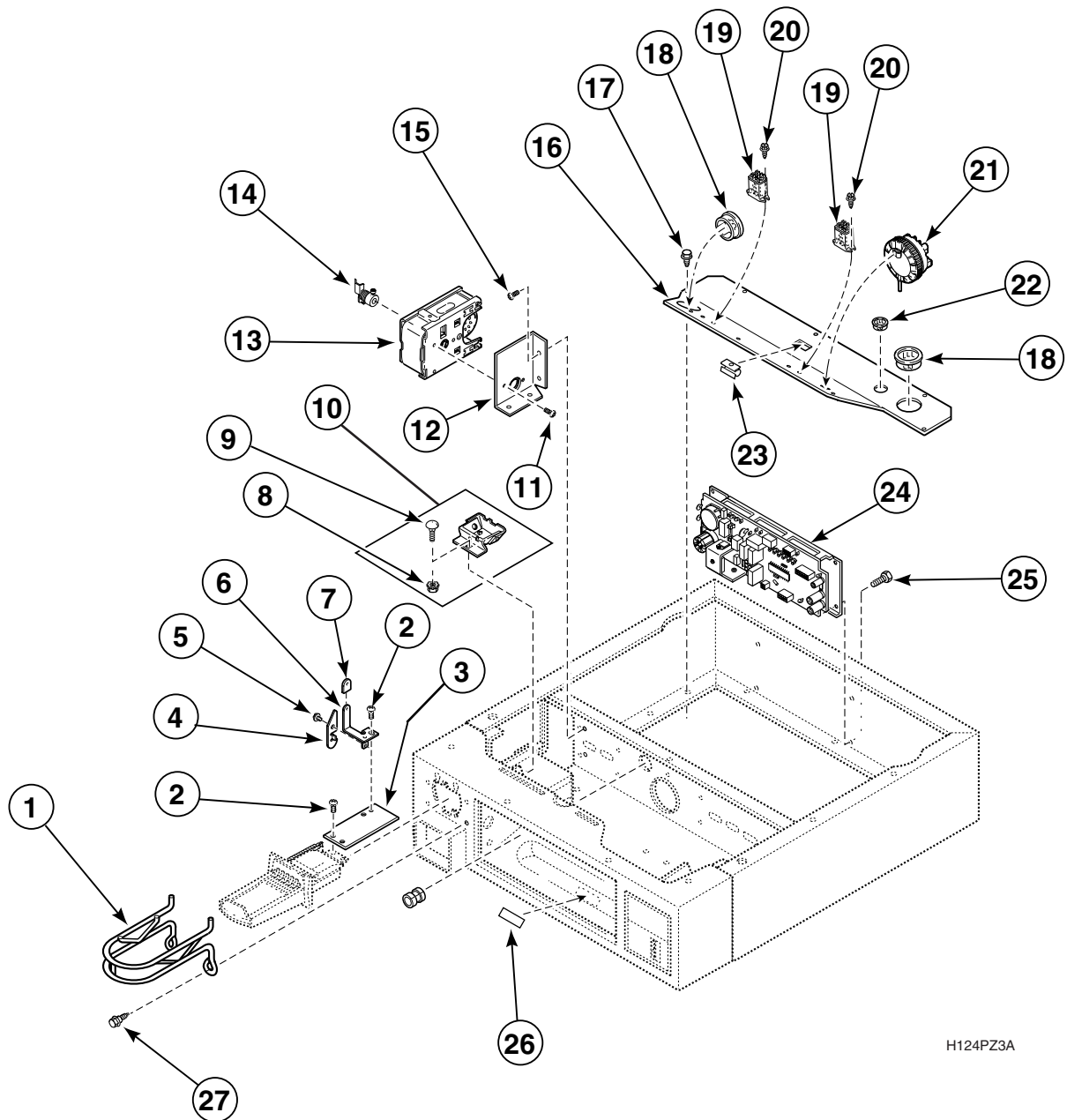
Models HWF261*E, HWF261*H, SWF261*E and SWF261*H

REF	PART #	DESCRIPTION	COMMENTS
1	504229	Security Top Panel	
2	56128	Bumper	
3	36048	Shoulder Screw	
4	29651	Bolt	
5	36020	Speed Nut	
6	510033*P	Cabinet Top	
7	511036	Hinge	
8	504228	Bracket	
9	800052*	Control Cabinet Wrapper	
10	29796	Nut	
11	32671	Screw	
12	56079	Panel Locator	
13	503688	Screw	
14	505337*	Front Security Cabinet Assembly	
15	685942	Instruction Label	
16	23008	Screw	

* Add Letter To Designate Color. L – Almond W – White

Timer, Motor Control Board, Pressure Switch and Relays

Models HWF261*E, HWF261*H, SWF261*E and SWF261*H



H124PZ3A

* Add Letter To Designate Color. L – Almond W – White

Timer, Motor Control Board, Pressure Switch and Relays

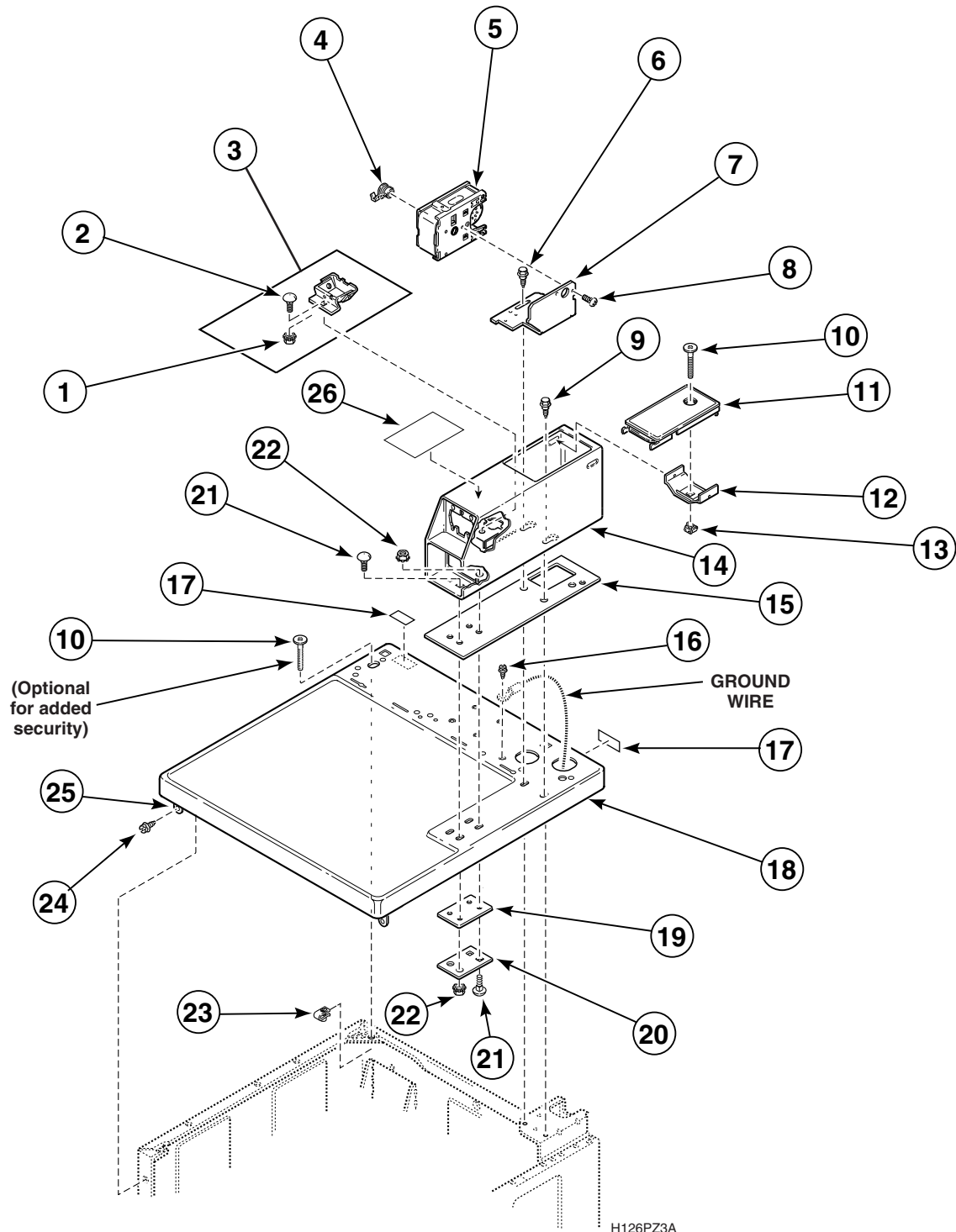
Models HWF261*E, HWF261*H, SWF261*E and SWF261*H

REF	PART #	DESCRIPTION	COMMENTS
1	58181	Coin Slide Guard	
2	03950	Screw	
3	685593	Coin Slide Extension	
4	36164	Actuator	
5	36166	Screw	
6	685592	Actuator Support	
7	36165	Plastic Boot	
8	29796	Nut	
9	29651	Bolt	
10	523P3	Coin Funnel Kit	
11	21720	Screw	
12	685365	Timer Bracket	
13	685585	Timer	Models HWF261*H and SWF261*H through Serial Number 0007013011 and all other models
	800721	Timer	Models HWF261*H and SWF261*H starting Serial No. 0007013012
14	29503	Clutch Assembly	
15	503688	Screw	
16	800065	Control Shield	
17	503661	Screw	
18	503235	Bushing	
19	431349	Relay	
20	51782	Screw	
21	800468	Pressure Switch	
22	M402542	Bushing	
23	36985	Clip	
24	800076P	Motor Control Board	
25	501524	Screw	
26	24903	Warning Label	
27	33562	Screw	

* Add Letter To Designate Color. L – Almond W – White

Timer, Meter Case, Service Door and Cabinet Top

Models HWR261*E, HWR261*H, SWR261*E and SWR261*H



* Add Letter To Designate Color. L – Almond W – White

Timer, Meter Case, Service Door and Cabinet Top

Models HWR261*E, HWR261*H, SWR261*E and SWR261*H

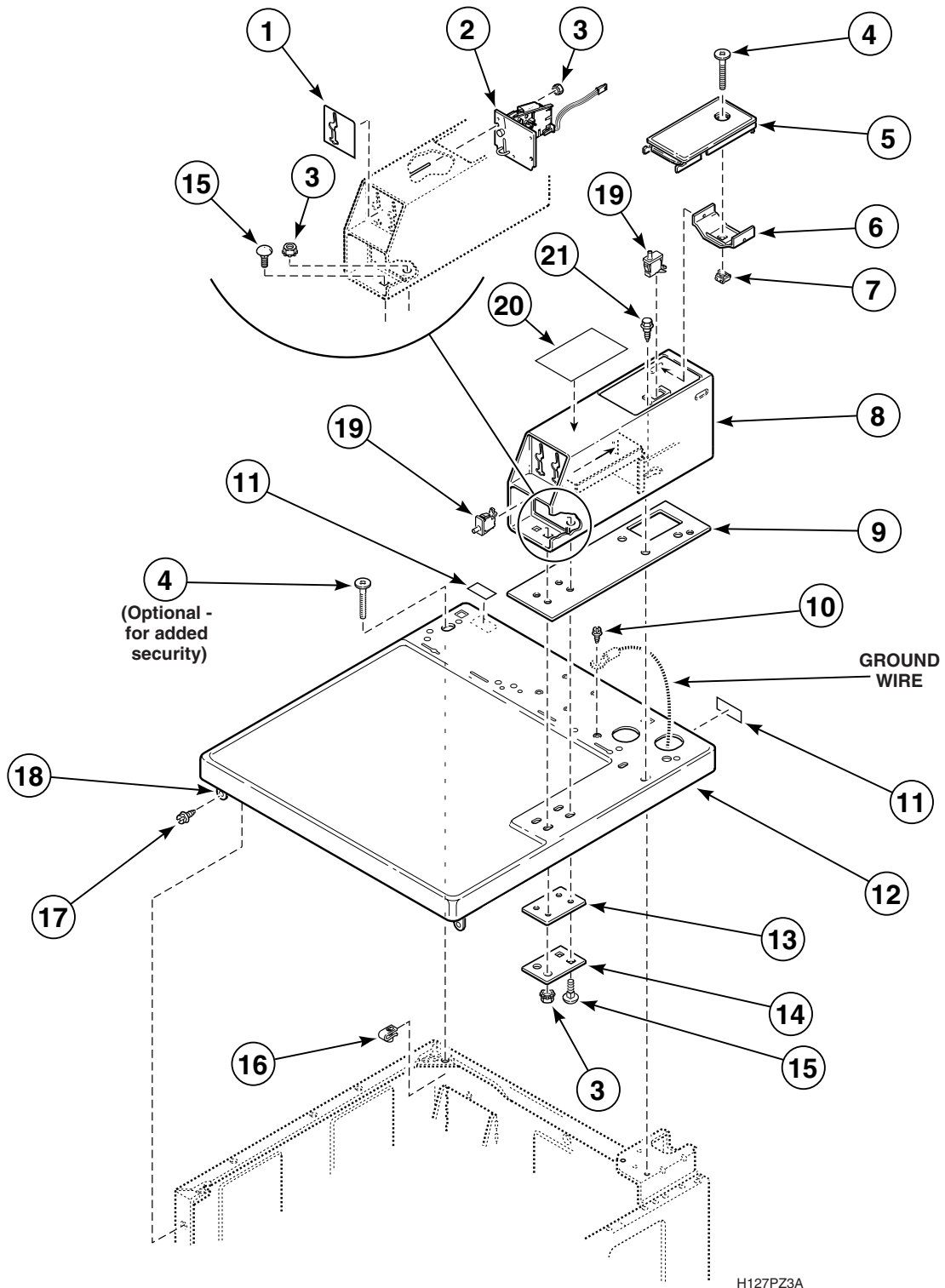
REF	PART #	DESCRIPTION	COMMENTS
1	29796	Nut	
2	29651	Bolt	
3	†523P3	Coin Funnel Kit	
4	29503	Clutch	
5	685585	Timer	Models HWR261*H and SWR261*H through Serial Number 0007013011 and all other models
	800721	Timer	Models HWR261*H and SWR261*H starting Serial No. 0007013012
6	502431	Screw	
7	35249	Timer Bracket	
8	21720	Screw	
9	36048	Screw	
10	503673	Screw	
11	39874*	Service Door	
12	30642	Bracket	
13	30647	Retainer Nut	
14	524P3*	Meter Case	
15	†26354	Meter Case Gasket	
16	52909	Screw	
17	24903	Warning Label	
18	510030*P	Cabinet Top	
19	†35526	Gasket	
20	†35525	Bracket	
21	†02505	Carriage Bolt	
22	†29786	Nut	
23	27222	Retainer Nut	Use for added security
24	503661	Screw	
25	510146	Bracket	
26	800137	Instruction Label	

* Add Letter To Designate Color. L – Almond W – White

† Parts with a dagger are included with 524P3* Meter Case.

Coin Drop, Meter Case, Service Door and Cabinet Top

Models SWRB61*H and SWRB61*J



* Add Letter To Designate Color. L – Almond W – White

Coin Drop, Meter Case, Service Door and Cabinet Top

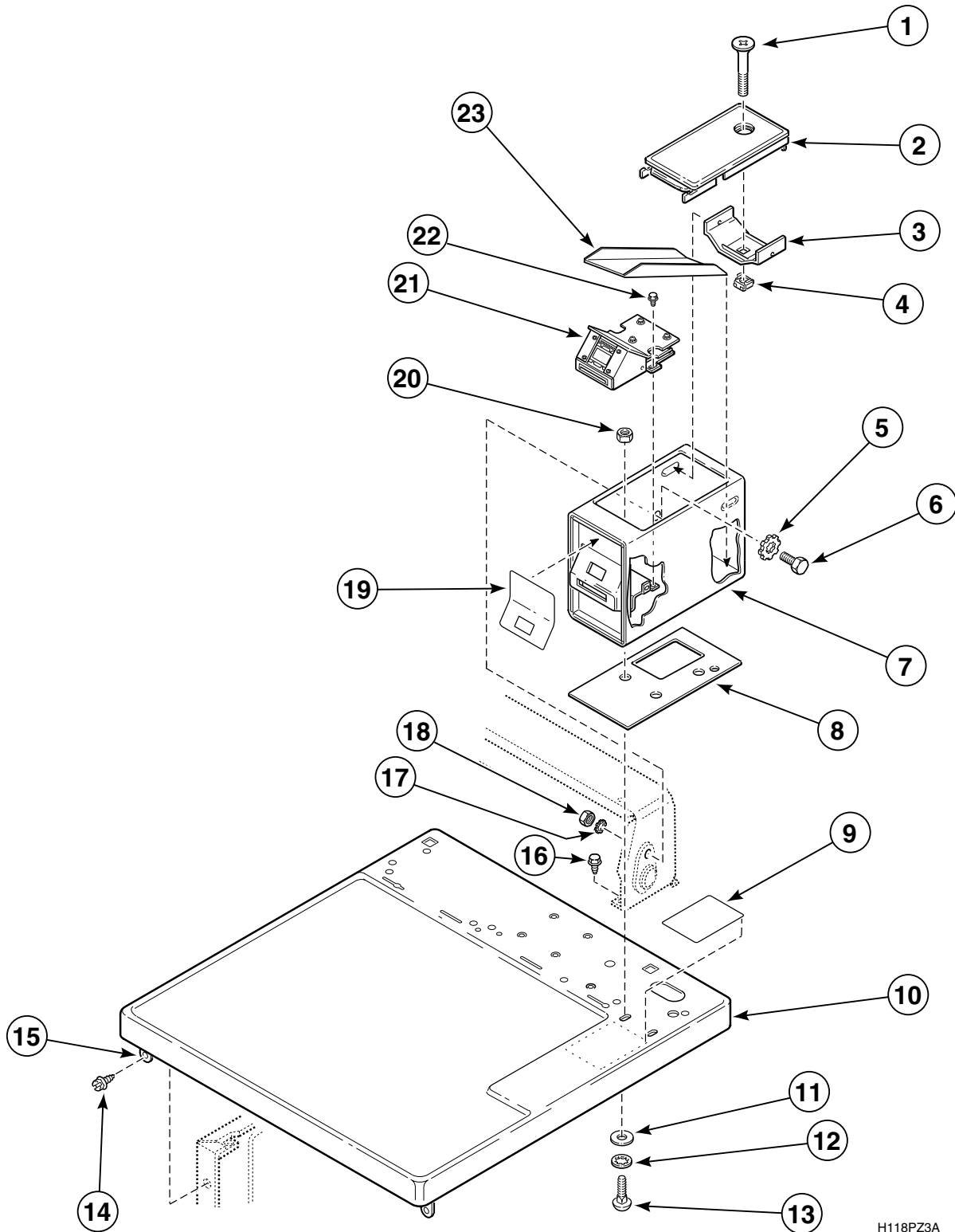
Models SWRB61*H and SWRB61*J

REF	PART #	DESCRIPTION	COMMENTS
1	38717	Overlay	
2	38479	Coin Drop	
3	29786	Locknut	
4	503673	Screw	
5	39874*	Service Door	
6	30642	Bracket	
7	30647	Retainer Nut	
8	38724*	Meter Case	
9	26354	Gasket	
10	20530	Screw	
11	24903	Label	
12	510030*P	Cabinet Top	Model SWRB61*H
	510031*P	Cabinet Top	Model SWRB61*J
13	35526	Gasket	
14	35525	Bracket	
15	02505	Carriage Bolt	
16	27222	Retainer Nut	
17	503661	Screw	
18	510146	Bracket	
19	504570	Switch	
20	800137	Instruction Sticker	
21	36048	Screw	

* Add Letter To Designate Color. L - Almond W - White

Security Case, Card Reader and Cabinet Top

Model SWRD61*H



H118PZ3A

* Add Letter To Designate Color. L – Almond W – White

Security Case, Card Reader and Cabinet Top

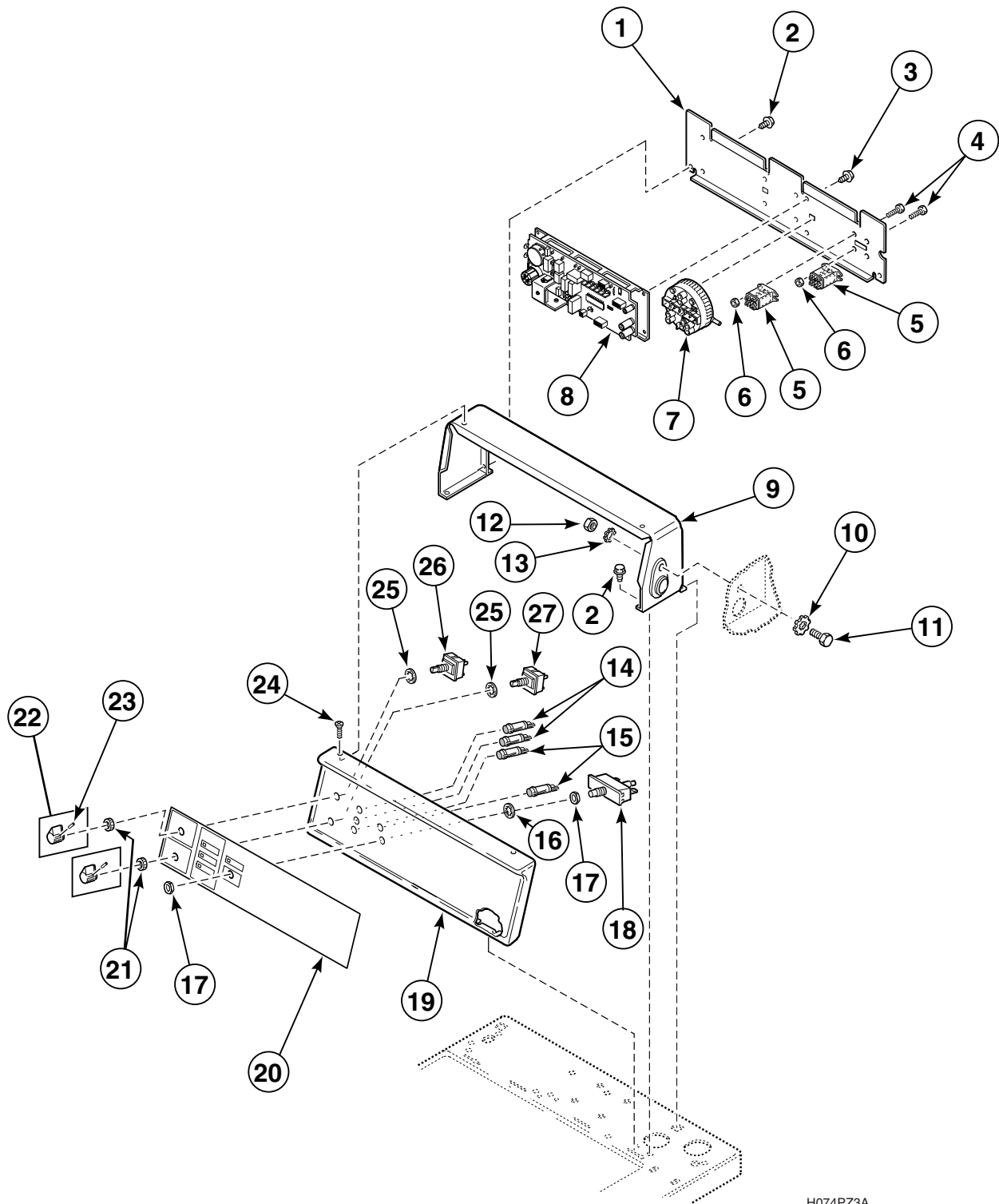
Model SWRD61*H

REF	PART #	DESCRIPTION	COMMENTS
1	503673	Screw	
2	39874*	Service Door	
3	30642	Bracket	
4	30647	Retainer Nut	
5	M400017	Lockwasher	
6	02916	Screw	
7	38145*	Security Case	
8	37526	Gasket	
9	800137	Instruction Sticker	
10	510031*P	Cabinet Top	
11	23225	Vinyl Washer	
12	30627	Washer	
13	36048	Screw	
14	503661	Screw	
15	510146	Bracket	
16	23962	Screw	
17	02431	Lockwasher	
18	52566	Locknut	
19	38192	Instruction Label	
20	29786	Locknut	
21	39685	Card Reader	
22	52909	Screw	
23	38754	Shield	

* Add Letter To Designate Color. L - Almond W - White

Control Panel, Control Hood and Controls

Models HWR261*E, HWR261*H, SWR261*E and SWR261*H



H074PZ3A

* Add Letter To Designate Color. L – Almond W – White

Control Panel, Control Hood and Controls

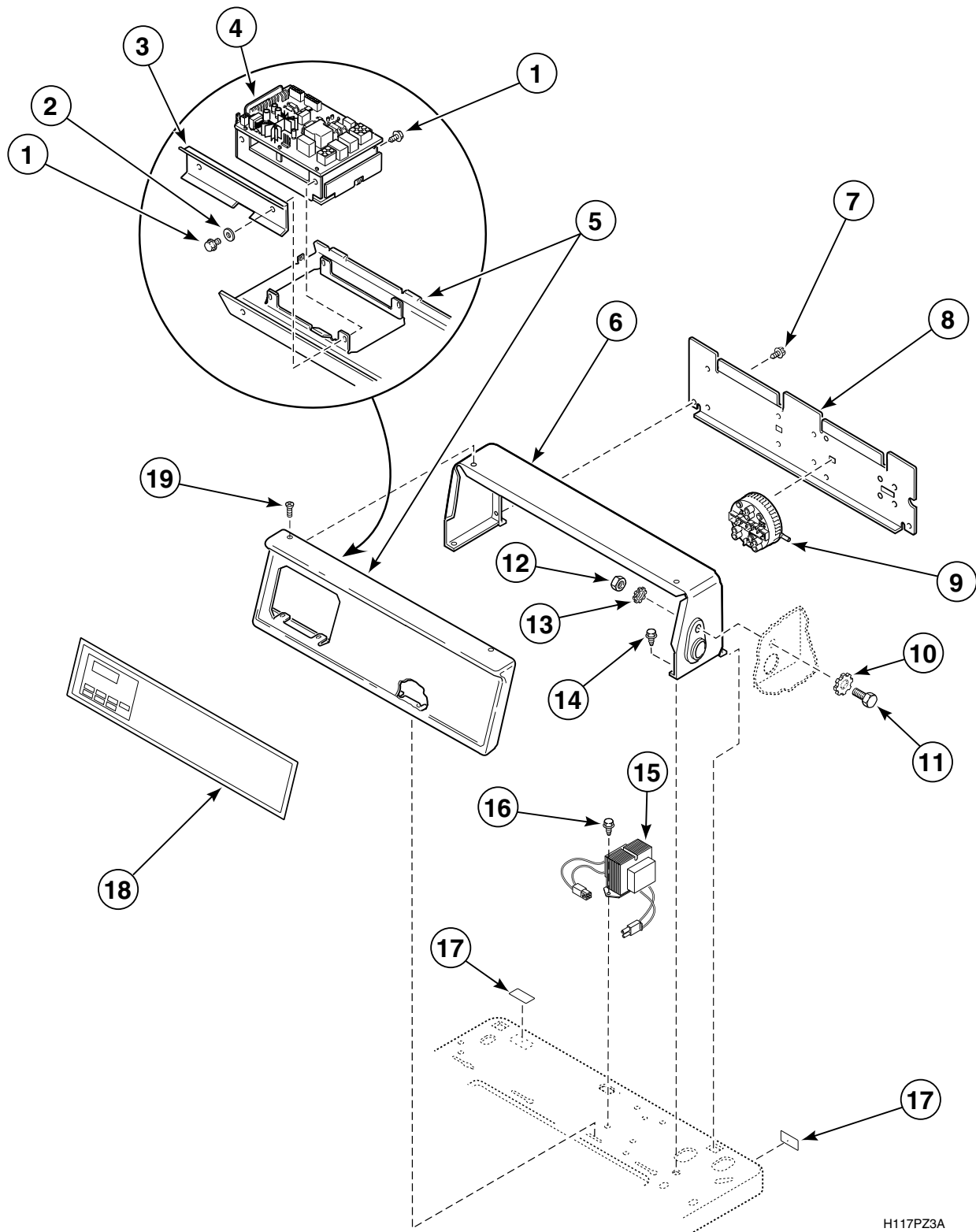
Models HWR261*E, HWR261*H, SWR261*E and SWR261*H

REF	PART #	DESCRIPTION	COMMENTS
1	505798	Control Hood Rear Panel	
2	501086	Screw	
3	501524	Screw	
4	800258	Screw	
5	431349	Relay	
6	02788	Nut	
7	800468	Pressure Switch	
8	800076P	Motor Control Board	
9	502567*	Control Hood	
10	M400017	Lockwasher	
11	02916	Screw	
12	52556	Nut	
13	02431	Lockwasher	
14	32464	Indicator Light	110 Volt – In Use or Close Door
15	32519	Indicator Light	230 Volt – Spin or Door Locked
16	25820	Lockwasher	
17	52947	Nut	
18	55899	Start Switch	
19	800142*	Control Panel Frame	
20	800135	Control Panel Overlay	Models SWR261*E and SWR261*H
	800423	Control Panel Overlay	Models HWR261*E and HWR261*H
21	24205	Knurled Nut	
22	39897	Control Knob Assembly	
23	20310	Setscrew	
24	52864	Screw	Phillips Head
	35528	Screw	Torx Head – for added security
25	91176	Lockwasher	
26	685595	Temperature Switch	
27	800404	Speed Switch	

* Add Letter To Designate Color. L – Almond W – White

Control Panel, Control Hood and Controls

Models SWRB61*H, SWRB61*J and SWRD61*H



H117PZ3A

* Add Letter To Designate Color. L – Almond W – White

Control Panel, Control Hood and Controls

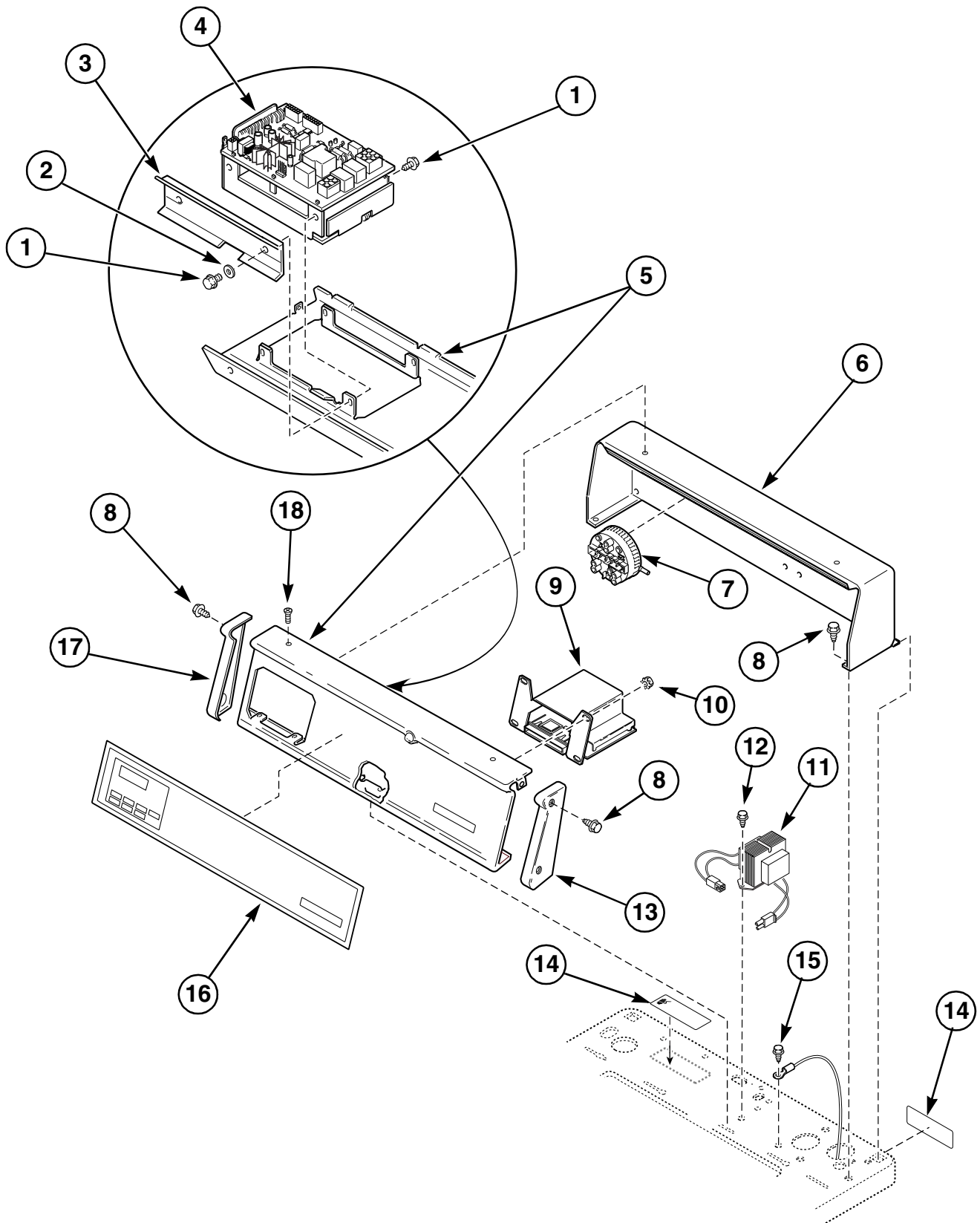
Models SWRB61*H, SWRB61*J and SWRD61*H

REF	PART #	DESCRIPTION	COMMENTS
1	501524	Screw	
2	200608	Sealing Washer	
3	210053	Control Shield	
4	800603P	Electronic Control	Models SWRB61*H and SWRD61*H
	800671	Electronic Control	Model SWRB61*J
5	800149*	Control Panel Frame	
6	502567*	Control Hood	
7	23222	Screw	
8	505798	Control Hood Rear Panel	
9	800468	Pressure Switch	
10	M400017	Lockwasher	
11	02916	Screw	
12	52556	Nut	
13	02431	Lockwasher	
14	501086	Screw	
15	210018	Transformer	
16	503661	Screw	
17	24903	Warning Label	
18	800414	Control Panel Overlay	
19	52864	Screw	

* Add Letter To Designate Color. L - Almond W - White

Control Panel, Control Hood and Controls

Model SWRF61*J



FLW67P

* Add Letter To Designate Color. L – Almond W – White

Control Panel, Control Hood and Controls

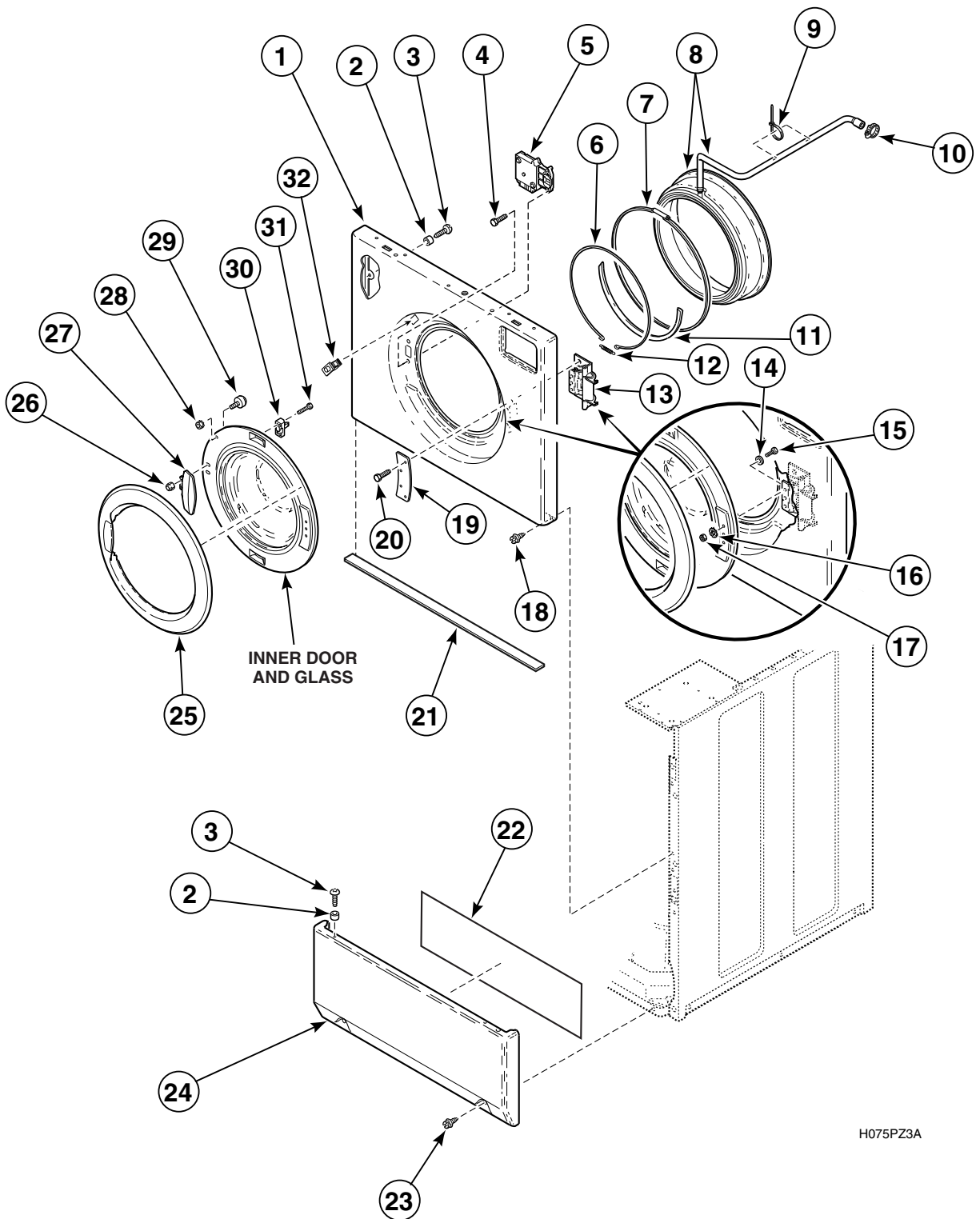
Model SWRF61*J

REF	PART #	DESCRIPTION	COMMENTS
1	501524	Screw	
2	200608	Sealing Washer	
3	210053	Control Shield	
4	800671	Electronic Control	
5	800710*	Control Panel Frame	
6	511049*	Control Hood	
7	800468	Pressure Switch	
8	501086	Screw	
9	210045	Card Reader Assembly	
10	70054	Nut	
11	210018	Transformer	
12	503661	Screw	
13	210108*	End Cap	Right
14	24903	Warning Label	
15	20530	Screw	
16	800228	Control Panel Overlay	
17	210109*	End Cap	Left
18	52864	Screw	

* Add Letter To Designate Color. L - Almond W - White

Front Panel, Door Assembly and Door Seal

All models with the letter "E" in the eighth character of the model number



H075PZ3A

* Add Letter To Designate Color. L – Almond W – White

Front Panel, Door Assembly and Door Seal

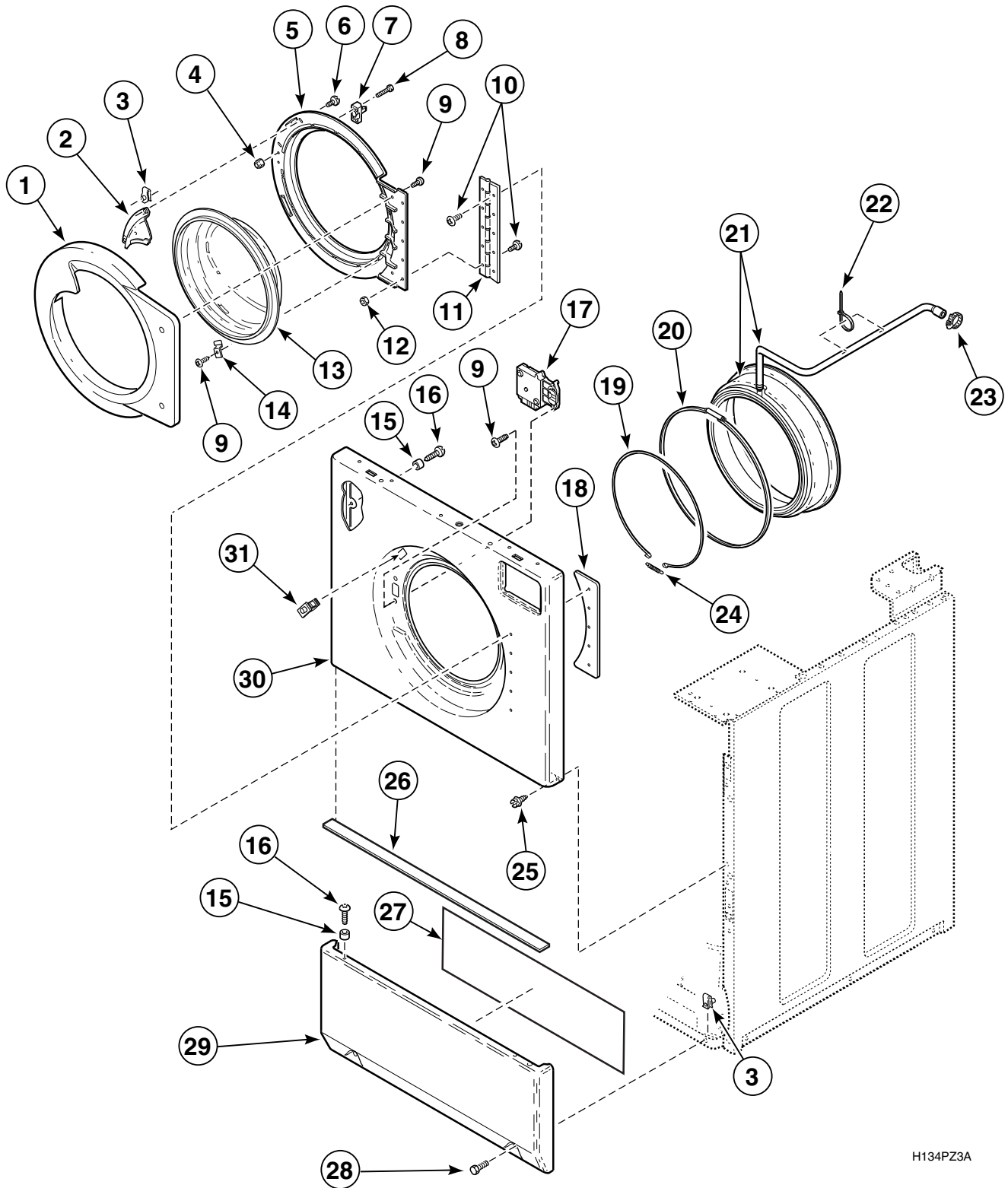
All models with the letter "E" in the eighth character of the model number

REF	PART #	DESCRIPTION	COMMENTS
	800435*P	Front Panel and Door Assembly	Includes all items on this page
1	800412*	Front Panel	
2	56079	Panel Locator	
3	32671	Screw	
4	800548	Screw	
5	685429	Door Latch / Switch Assembly	
6	800438	Wire Clamp Ring	
7	685743	Door Seal Clamp	Seal to outer tub front
8	800232	Door Seal Assembly	
9	55881	Wire Tie	
10	36801	Hose Clamp	
11	685389	Foam Tape	Front panel door opening
12	800346	Spring	
13	685460	Hinge Assembly	
14	35917	Washer	
15	02916	Cap Screw	
16	M400017	Lockwasher	
17	52566	Locknut	
18	503661	Screw	
19	685470	Hinge Plate	
20	685862	Screw	
21	685366	Foam Tape	(1 inch by 26 inches)
22	685368	Pad	
23	33562	Screw	Hex Head
	62853	Screw	Torx Head (Optional, for security)
24	510069*	Lower Access Panel	
25	685400*	Door Bezel	
26	685846	Locknut	
27	685438	Door Handle	
28	23951	Locknut	
29	800233	Bumper	
30	685430	Catch	
31	685836	Screw	
32	800211	Door Switch	

* Add Letter To Designate Color. L – Almond W – White

Front Panel, Door Assembly and Door Seal

All models with the letter "H" or "J" in the eighth character of the model number



H134PZ3A

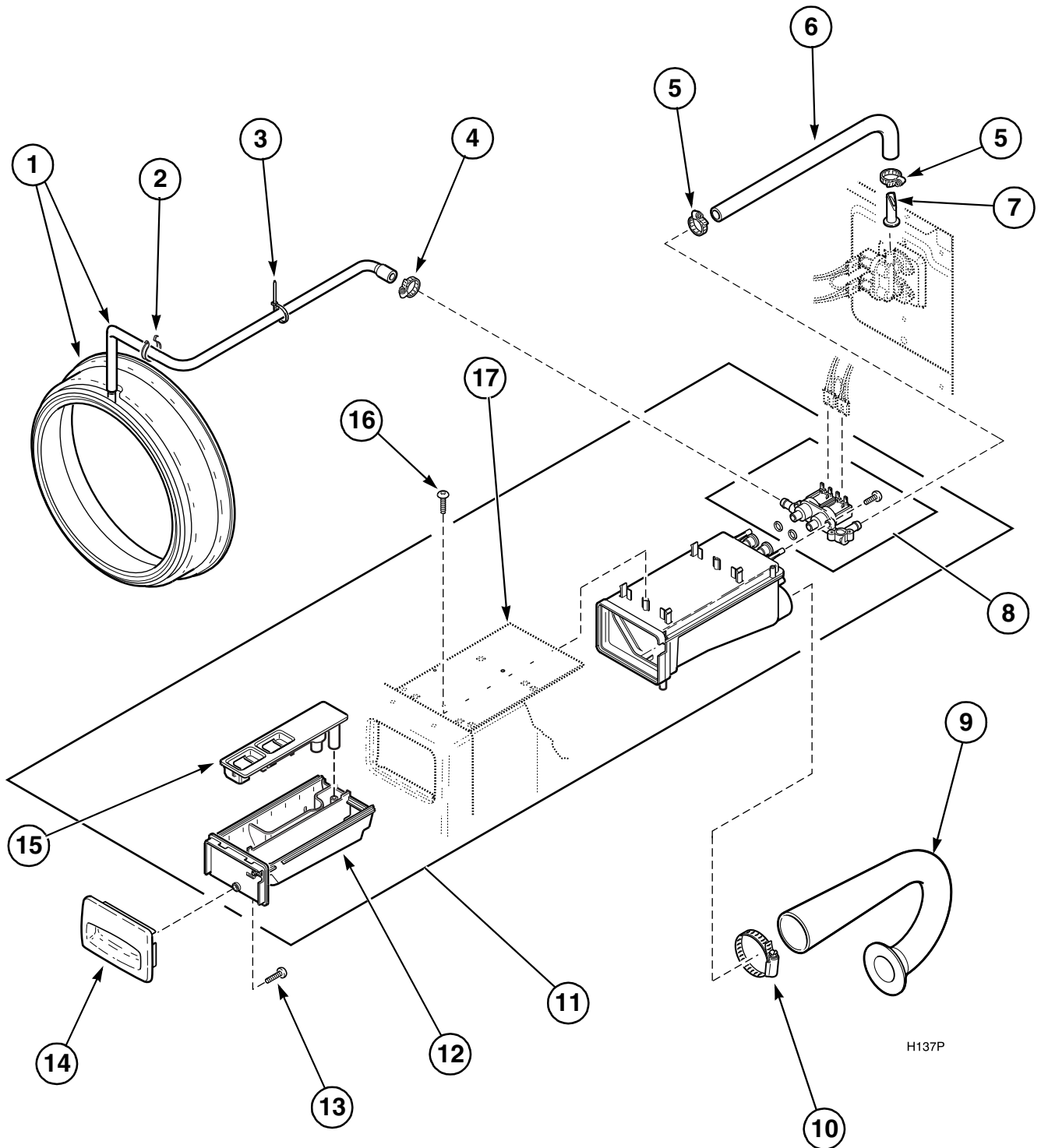
Front Panel, Door Assembly and Door Seal

All models with the letter "H" or "J" in the eighth character of the model number

REF	PART #	DESCRIPTION	COMMENTS
	800436*	Door Assembly	Includes items 1 through 14
1	800341*	Outer Door Bezel	
2	800342	Door Handle	
3	36020	Speed Nut	
4	685846	Locknut	
5	800340	Inner Door Bezel	
6	800528	Screw	
7	685430	Catch	
8	685836	Screw	
9	800548	Screw	
10	800549	Screw	
11	800339	Door Hinge Assembly	
12	23951	Locknut	
13	800343P	Door Glass	
14	800345	Hold-Down Clip	
15	56079	Panel Locator	
16	32671	Screw	
17	685429	Door Latch/Switch Assembly	
18	800437	Hinge Plate	
19	800438	Wire Clamp Ring	
20	685743	Door Seal Clamp	
21	800232	Door Seal Assembly	
22	55881	Wire Tie	
23	36801	Hose Clamp	
24	800346	Spring	
25	503661	Screw	
26	685366	Foam Tape	
27	685368	Pad	
28	23008	Screw	
29	510069*	Lower Access Panel	
30	800336*	Front Panel	
31	800211	Door Switch	

* Add Letter To Designate Color. L – Almond W – White

Dispenser Assembly

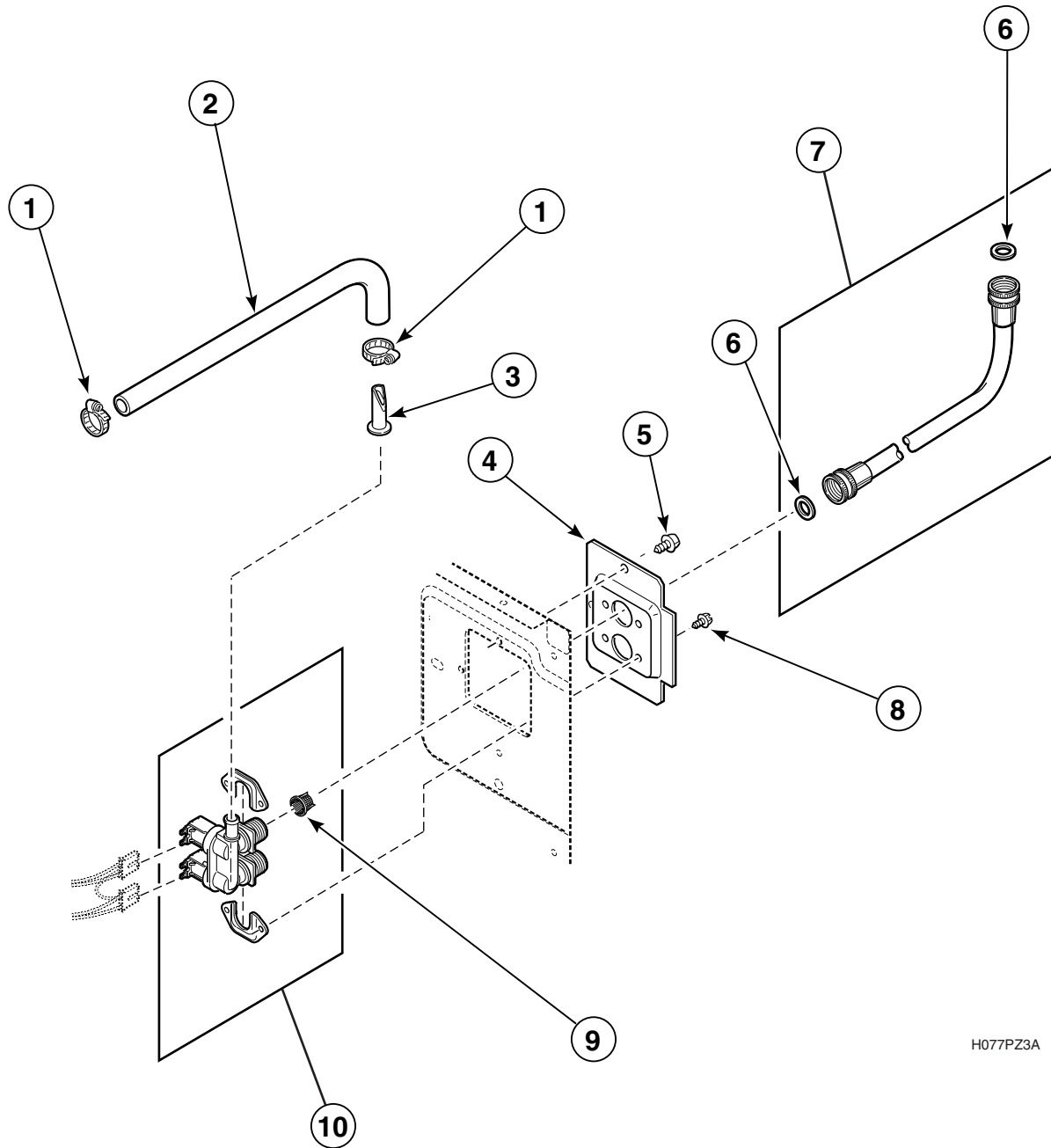


Dispenser Assembly

REF	PART #	DESCRIPTION	COMMENTS
1	800232	Door Seal Assembly	
2	687500	Wire Clip	
3	55881	Wire Tie	
4	36801	Hose Clamp	
5	800803	Hose Clamp	
6	800325	Dispenser Inlet Hose	
7	34500	Backflow Preventer	
8	685766P	Valve	
9	800331	Dispenser Hose	
10	685725	Hose Clamp	
11	685756	Dispenser and Valve Housing Assembly	
12	685757	Drawer	
13	800548	Screw	
14	685715*	Dispenser Drawer Front	
15	685716	Insert	
16	685830	Screw	
17	800242	Dispenser Mounting Bracket	

* Add Letter To Designate Color. L – Almond W – White

Mixing Valve, Inlet Hose and Dispenser Hose

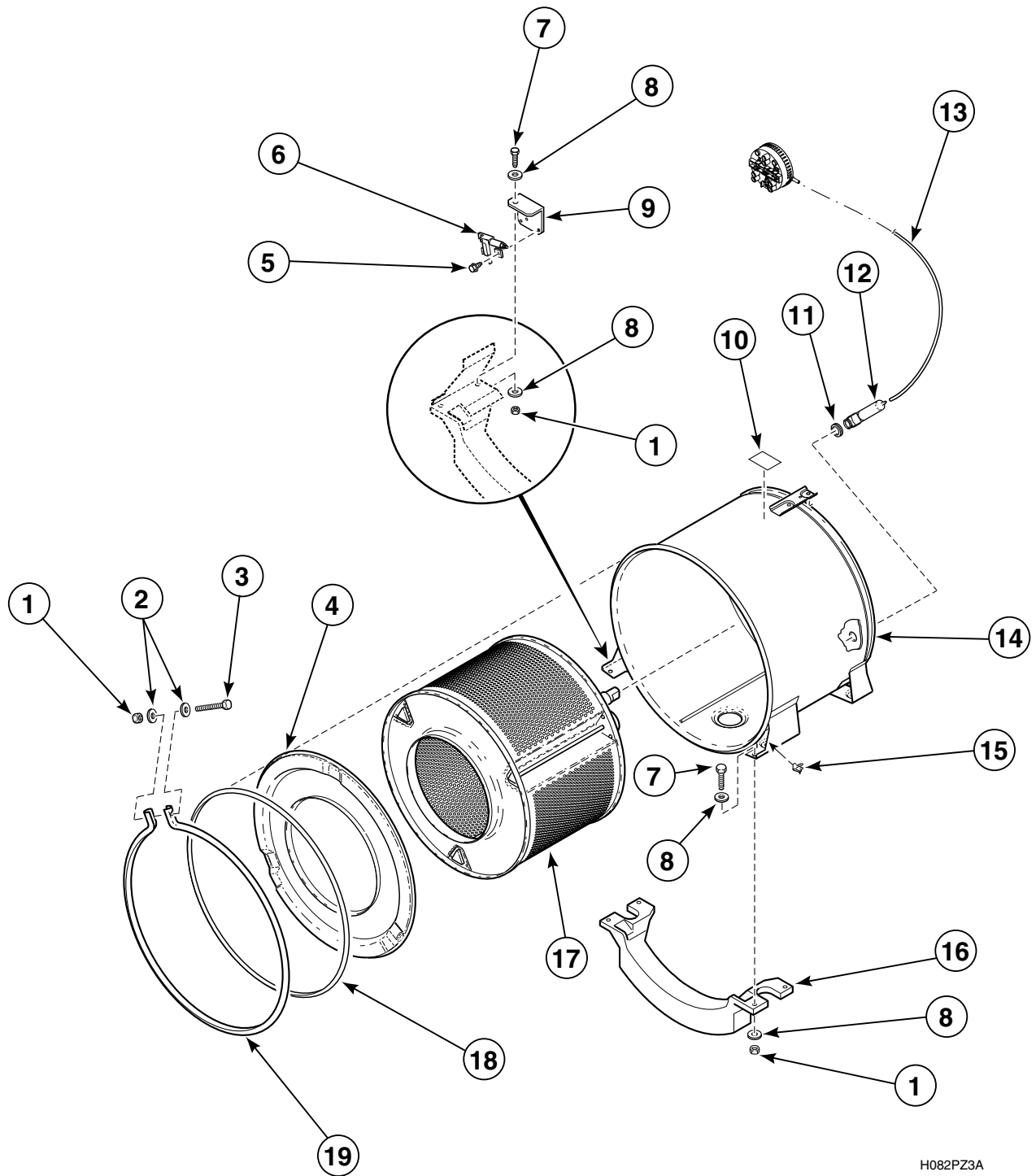


H077PZ3A

Mixing Valve, Inlet Hose and Dispenser Hose

REF	PART #	DESCRIPTION	COMMENTS
1	800803	Hose Clamp	
2	800325	Dispenser Hose	
3	34500	Backflow Preventer	
4	800323	Mixing Valve Plate	
5	503661	Screw	
6	20290	Hose Washer	
7	28330P	Inlet Hose Assembly	Includes (2) 20290 Hose Washers
8	501086	Screw	
9	F270200	Inlet Screen	
10	800434	Mixing Valve	

Outer Tub, Front, Clamp Ring and Inner Basket



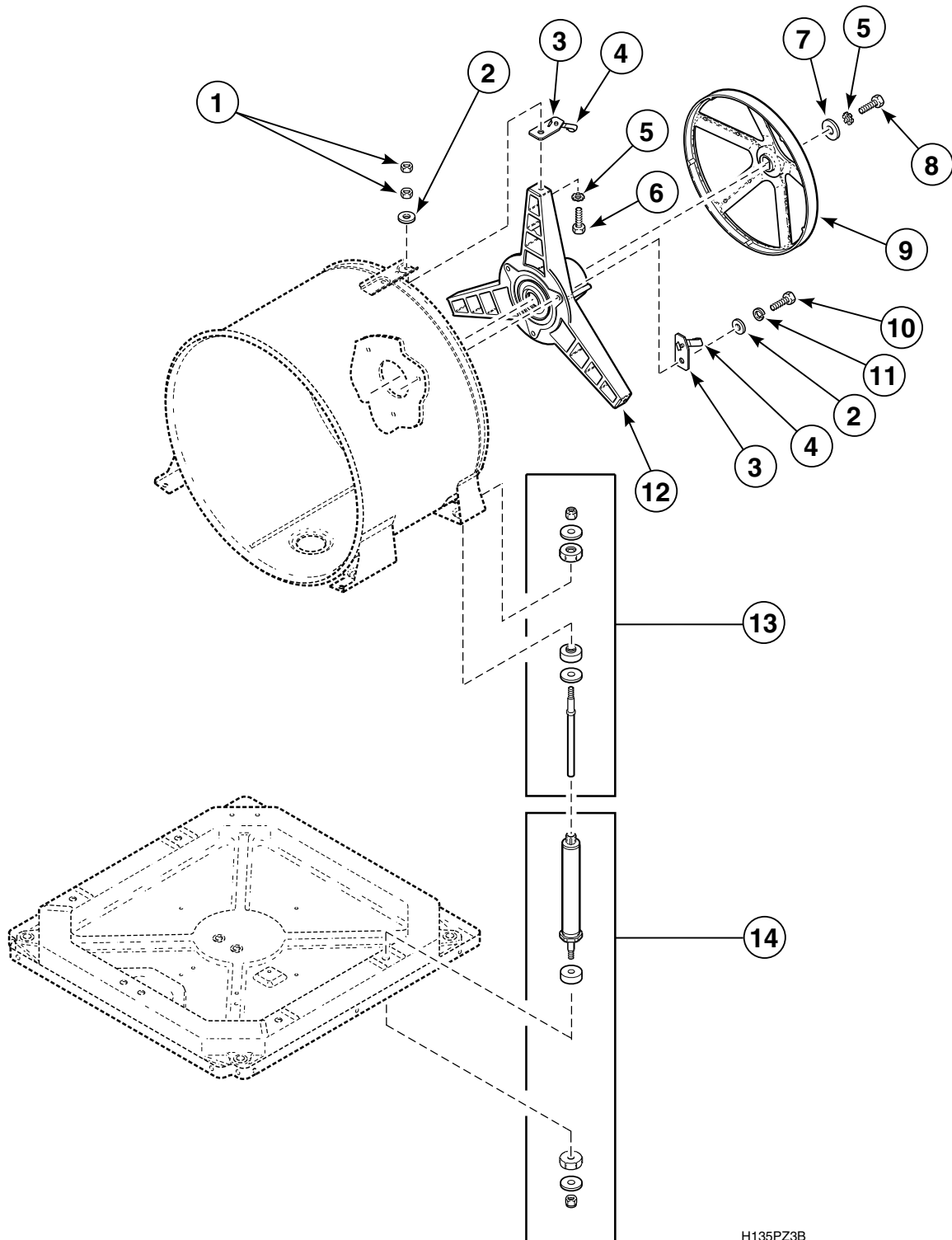
H082PZ3A

Outer Tub, Front, Clamp Ring and Inner Basket

REF	PART #	DESCRIPTION	COMMENTS
1	800452	Locknut	
2	800457	Flat Washer	
3	800462	Screw	
4	800430	Outer Tub Front	
5	503661	Screw	
6	800321	Out-of-Balance Switch	
7	800461	Screw	
8	M400081	Flat Washer	
9	600046	Mounting Bracket	
10	500049	Warning Label	
11	29175	Grommet	
12	30907	Pressure Bulb	
13	800648	Pressure Hose	Models HWF261*E, HWF261*H, SWF261*E and SWF261*H
	39129	Pressure Hose	Models HWR261*E, HWR261*H, SWR261*E, and SWR261*H,
	685751	Pressure Hose	Models SWRB61*H, SWRB61*J, SWRD61*H and SWRF61*J
14	800248	Outer Tub	
15	00161	Ground Clip	
16	800205	Weight	
17	800429P	Inner Basket	
18	800432	Seal	
19	800312	Clamp Ring	

* Add Letter To Designate Color. L – Almond W – White

Bearing Housing Assembly and Pulley

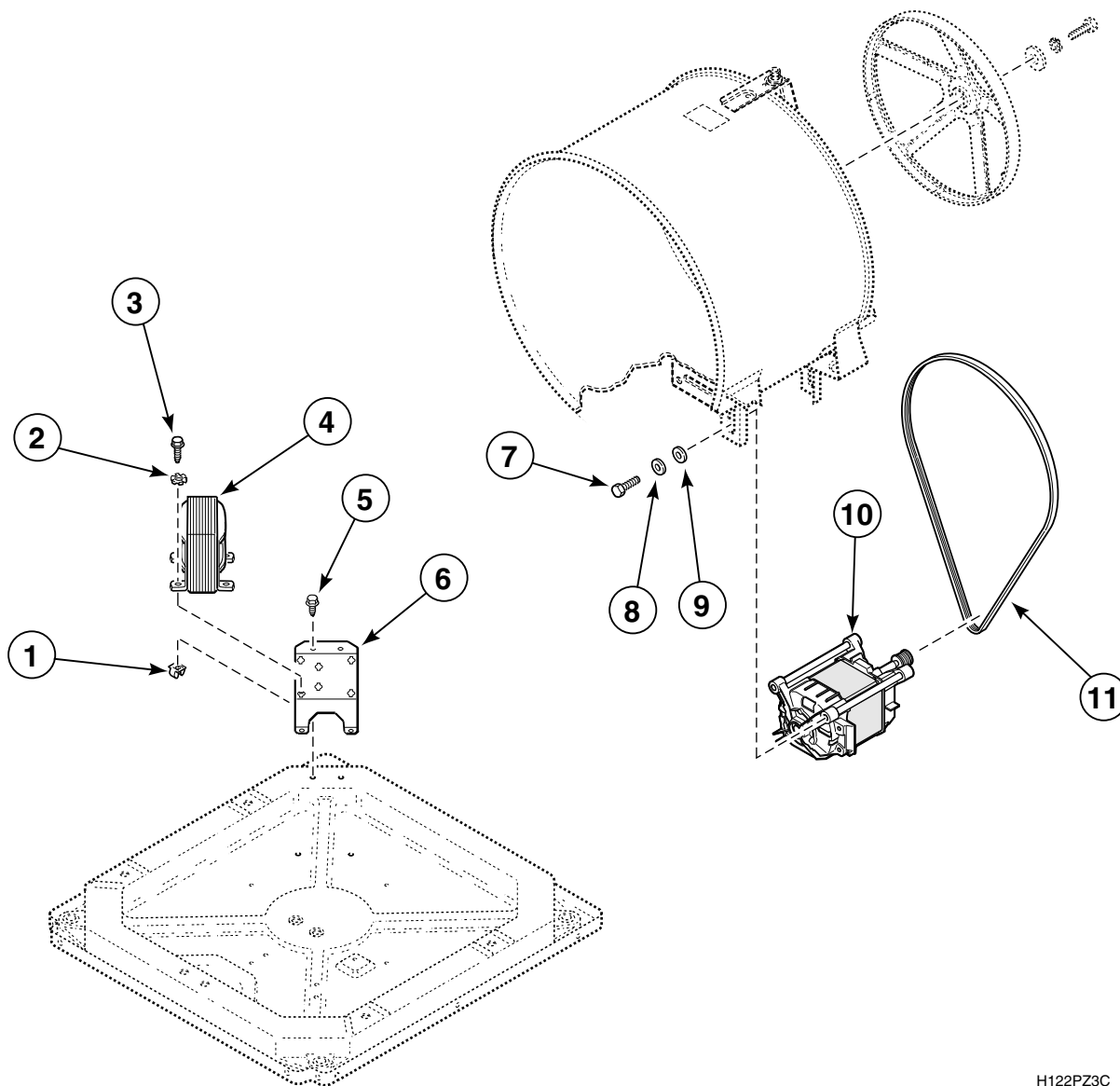


H135PZ3B

Bearing Housing Assembly and Pulley

REF	PART #	DESCRIPTION	COMMENTS
	685606P	Never Seeze	Pulley to inner basket shaft
1	800452	Locknut	
2	800457	Washer	
3	800552	Mounting Plate	
4	800553	Clip	
5	M403958	Lockwasher	
6	800461	Screw	
7	800464	Flatwasher	
8	685831	Screw	Left Hand Thread
9	685612	Pulley	
10	M400043	Screw	
11	M400014	Lockwasher	
12	800428	Bearing Housing Assembly	
13	800622	Shock Absorber Assembly	Upper
14	800623	Shock Absorber Assembly	Lower

Motor and Belt

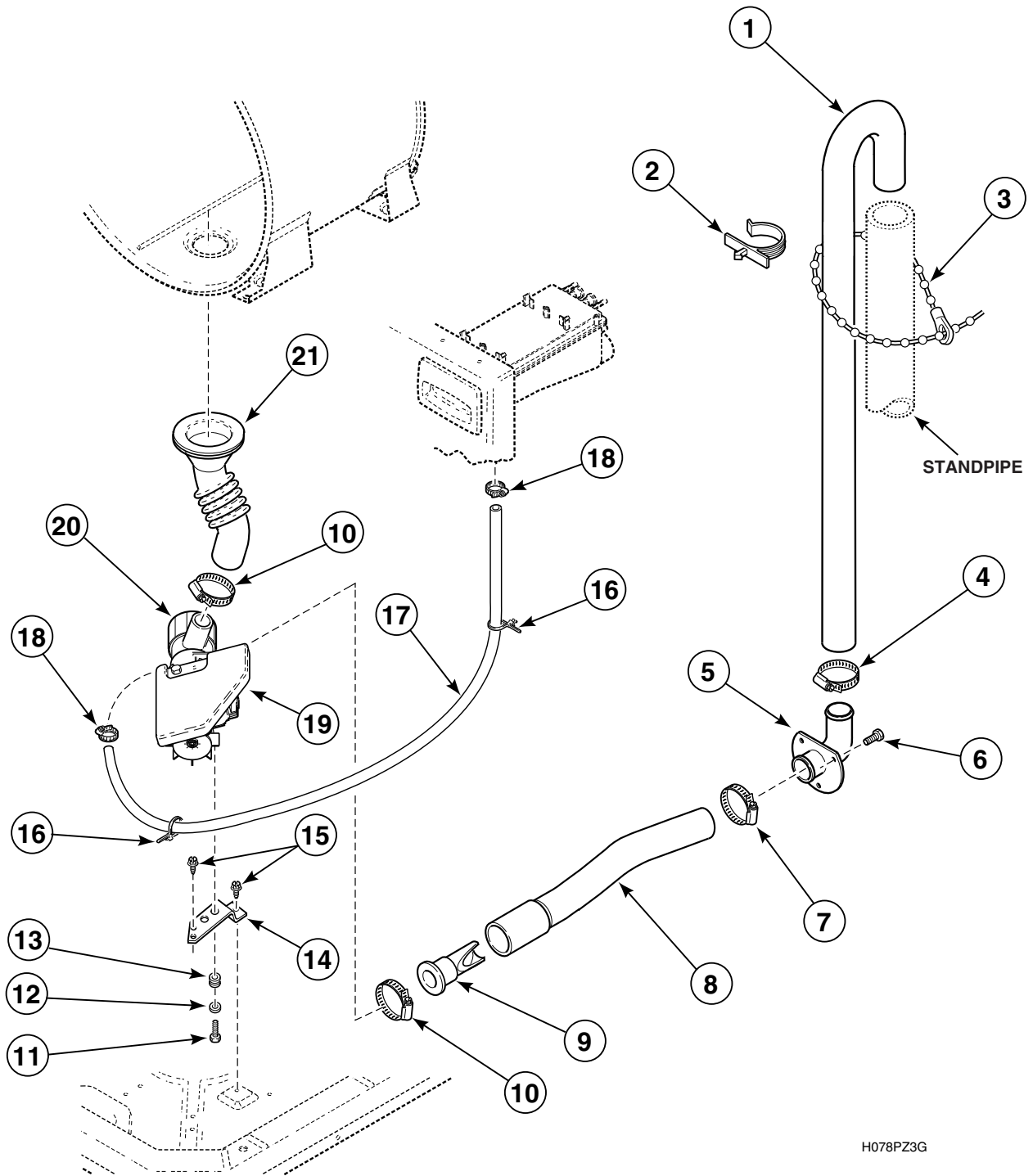


H122PZ3C

Motor and Belt

REF	PART #	DESCRIPTION	COMMENTS
	738P3	Motor Brush Kit	
1	70030501	Expansion Clip	
2	M400014	Lockwasher	
3	M411072	Screw	
4	686513	Transformer	
5	503661	Screw	
6	800602	Mounting Bracket	
7	M400056	Screw	
8	02834	Lockwasher	
9	M400080	Flat Washer	
10	685639P	Motor Assembly	
11	800319	Belt	

Hoses and Pump

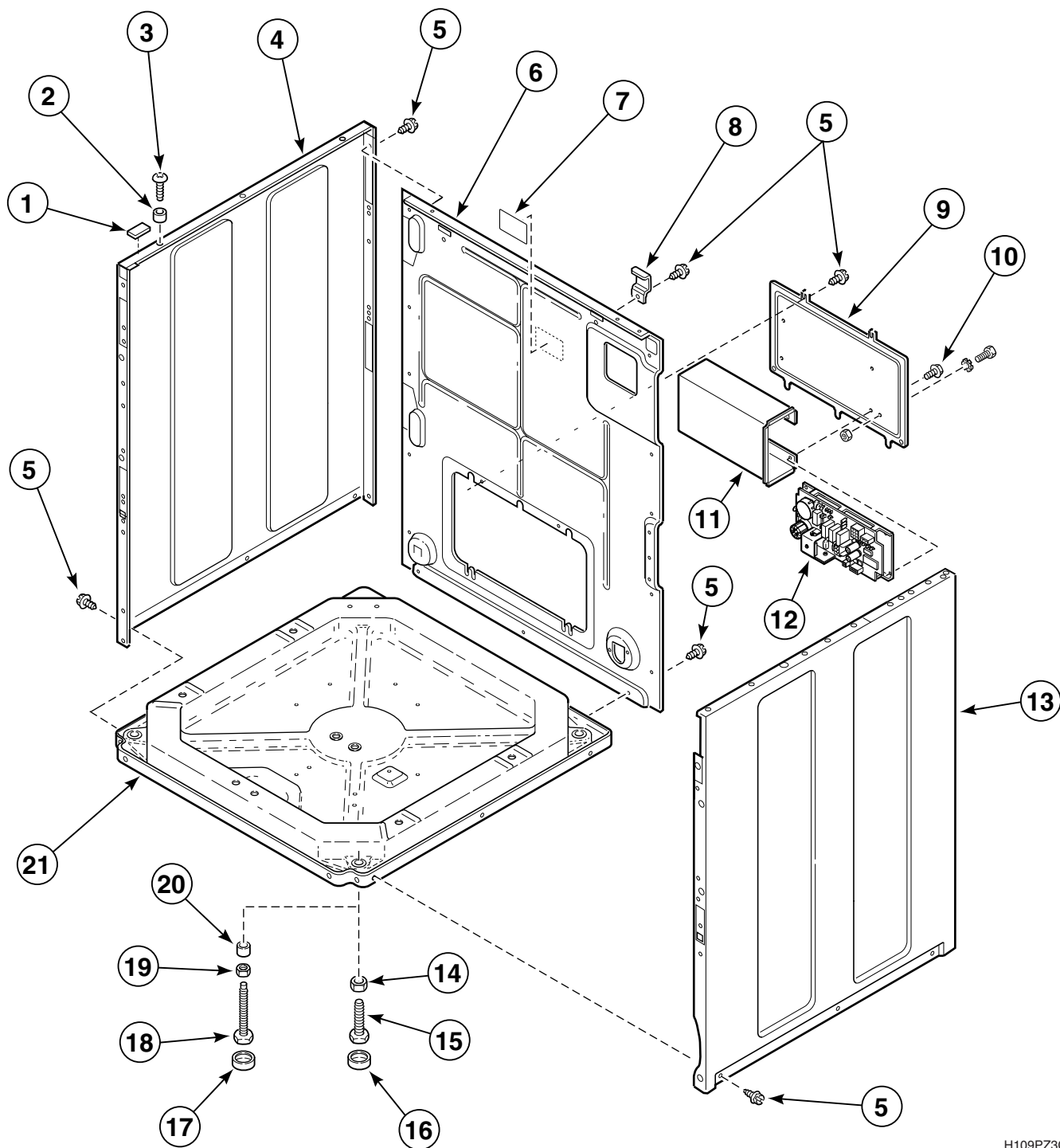


H078PZ3G

Hoses and Pump

REF	PART #	DESCRIPTION	COMMENTS
	27615P	Sealant	Tub-to-Pump Hose to Outer Tub
1	27154	Drain Hose	
2	39177	Retainer Clip	
3	33489	Beaded Strap	
4	20211	Hose Clamp	
5	35766	Elbow	
6	52909	Screw	
7	20391	Hose Clamp	
8	685737	Pump-to-Elbow Hose	
9	800310	Backflow Preventer	
10	36802	Hose Clamp	
11	38096	Screw	
12	800465	Washer	
13	685834	Grommet	
14	800308	Mounting Bracket	
15	503661	Screw	
16	38663	Wire Tie	
17	800424	Vent Hose Assembly	
18	36801	Hose Clamp	
19	38067	Shield	
20	685703	Drain Pump	
21	800317	Outer Tub-to-Pump Hose	

Base, Side Panels and Rear Panel



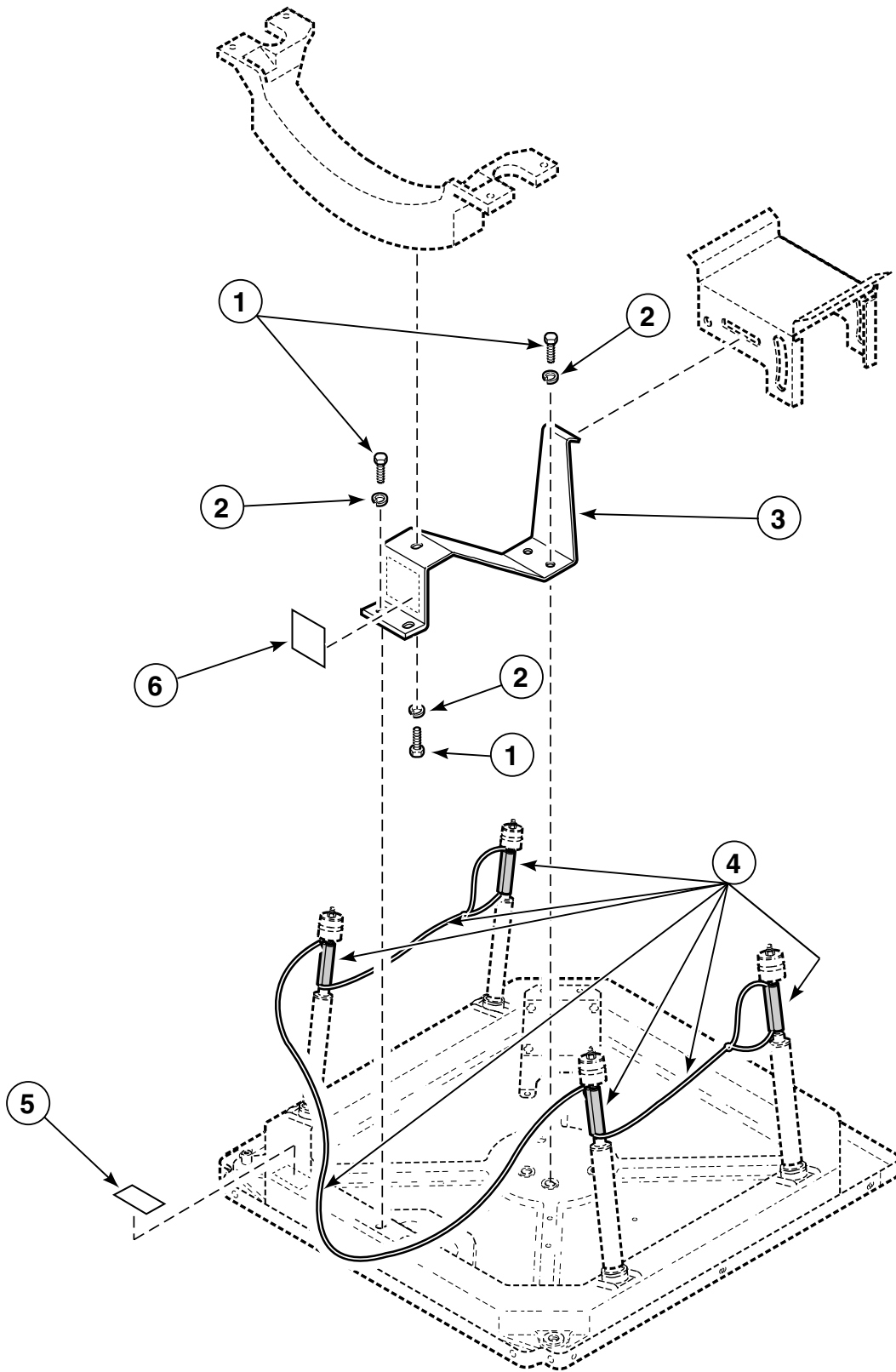
H109PZ3C

Base, Side Panels and Rear Panel

REF	PART #	DESCRIPTION	COMMENTS
1	56128	Bumper	
2	56079	Panel Locator	
3	32671	Screw	
4	800004*P	Side Panel	Left; Includes corner gusset with hardware
5	503661	Screw	
6	800745*P	Rear Panel	Includes corner gusset with hardware
7	685928	Label	Left hand thread
8	510136	Hinge	
9	800646	Rear Access Panel	
10	501524	Screw	
11	800722	Control Shield	Models SWRB61*H, SWRB61*J, SWRD61*H and SWRF61*J
12	687539P	Motor Control Board	Models SWRB61*H, SWRB61*J, SWRD61*H and SWRF61*J
13	800005*P	Side Panel	Right; Includes 800242 dispenser plate with hardware and 547P3 meter case mounting bracket with hardware
14	21899	Nut	For 1/2 inch leveling leg
15	34319	Leveling Leg	1/2 inch leveling leg
16	34318	Rubber Foot	For 1/2 inch leveling leg
17	70282	Rubber Foot	For 3/8 inch leveling leg
18	800014	Leveling Leg	3/8 inch leveling leg
19	20274	Nut	For 3/8 inch leveling leg
20	800015	Spacer	For 3/8 inch leveling leg
21	800425	Base	

* Add Letter To Designate Color. L – Almond W – White

Shipping Materials

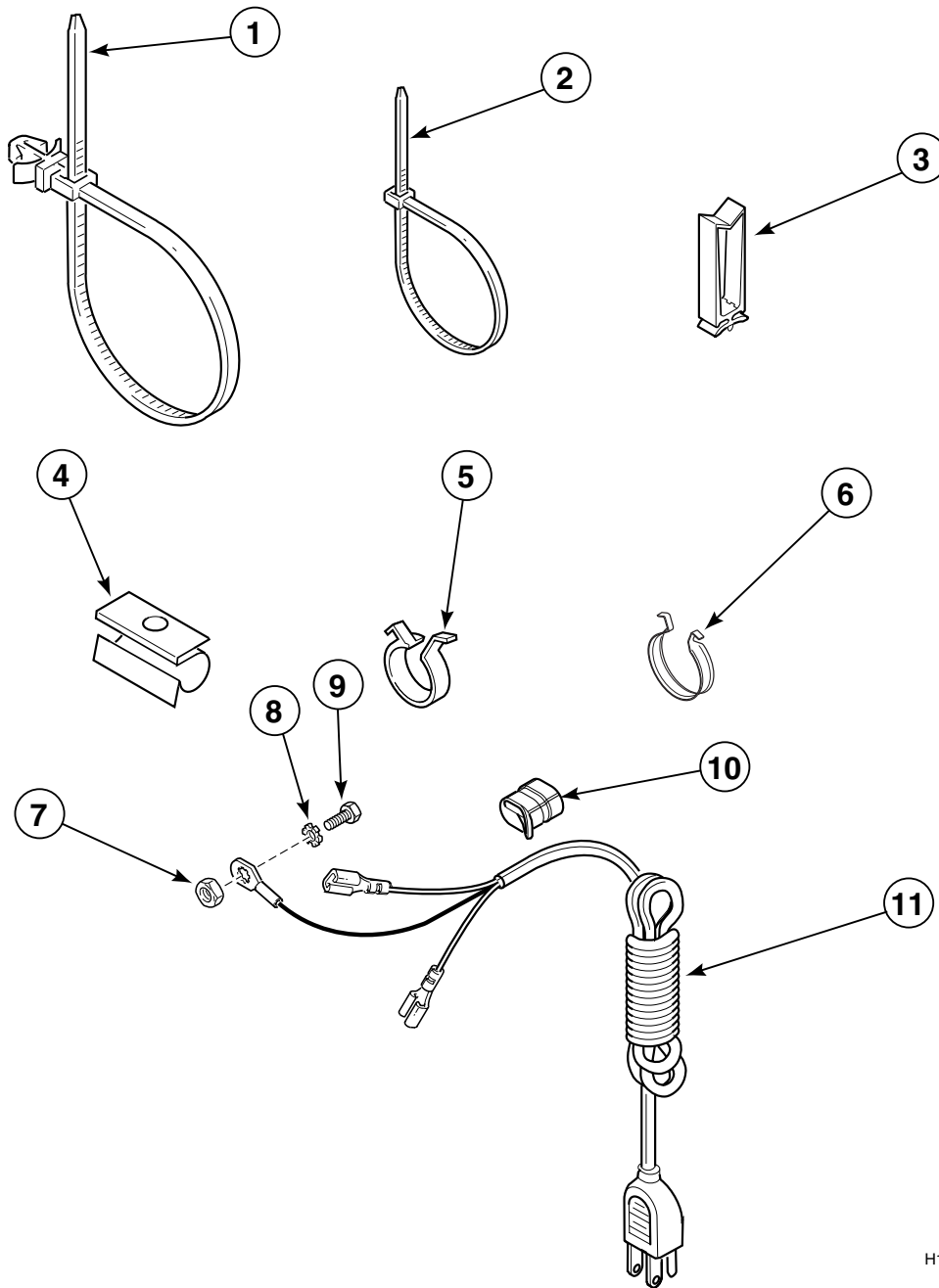


H087PZ3B

Shipping Materials

REF	PART #	DESCRIPTION	COMMENTS
	728P3	Shipping Brace Kit	Includes all items 1 through 5
1	685840	Screw	
2	M400014	Lockwashers	
3	800347	Shipping Bracket	
4	800364	Shipping Cord and Brace Assembly	
5	500049	Warning Label	
6	686901	Shipping Bracket Label	

Wire Ties, Harness Clips and Power Cord

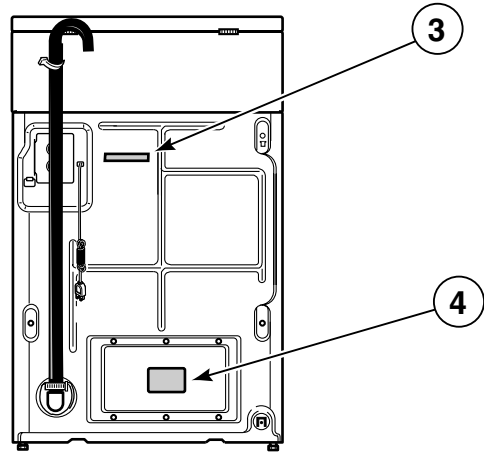
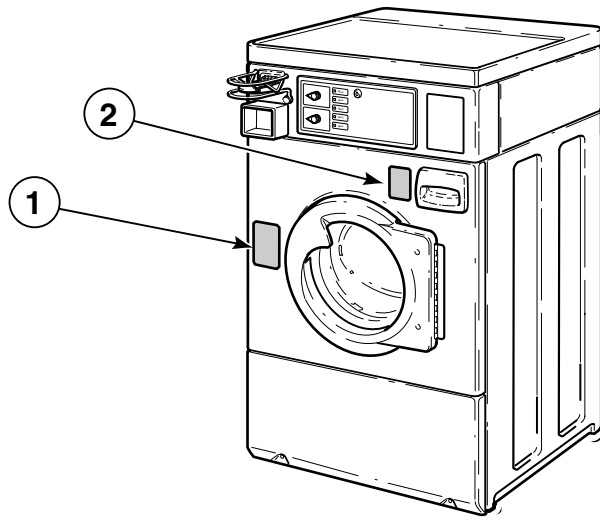


H130PZ3A

Wire Ties, Harness Clips and Power Cord

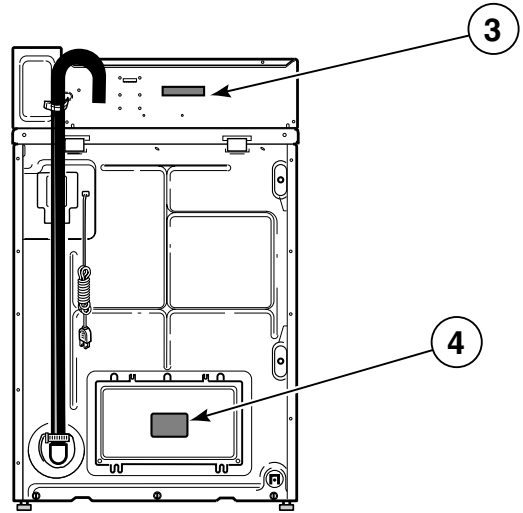
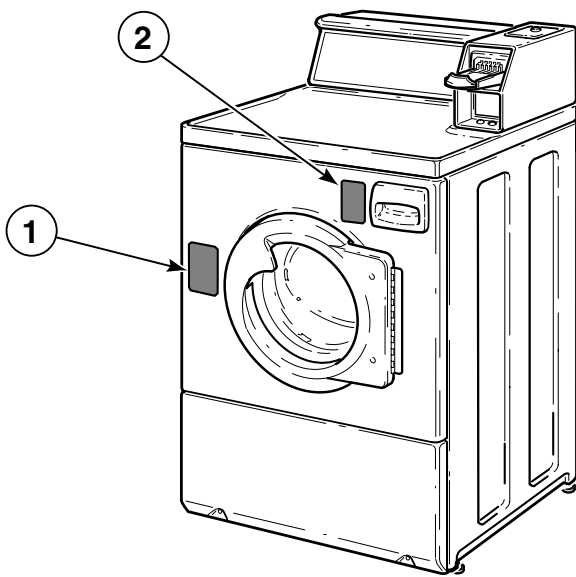
REF	PART #	DESCRIPTION	COMMENTS
1	38663	Wire Tie	
2	55881	Wire Tie	
3	36274	Harness Clip	
4	36985	Clip	
5	504034	Wire Clip	Small
6	687500	Wire Clip	Large
7	03673	Nut	
8	03815	Lockwasher	
9	685837	Screw	
10	38384	Strain Relief	
11	34458	Power Cord	

Labels



H132PZ3A

Front Control Washers



H128PZ3A

Rear Control Washers

Labels

REF	PART #	DESCRIPTION	COMMENTS
1	685947	Door Locked Label	
2	800420	Low Sudsing Label	
3	24903	Warning Label	
4	500049	Warning Label	

Wire Harnesses and Wires

Individual wires are not available separately. Order complete wire harness. See chart.

MODEL NUMBERS	BASE HARNESS	CONTROL HARNESS	MOTOR HARNESS	TIMER HARNESS	CARD READER HARNESS	DIAGNOSTIC HARNESS
HWF261*E, SWF261*E, HWF261*H and SWF261*H	687574	800113	800120	—	—	—
HWR261*E, SWR261*E, HWR261*H and SWR261*H	687574	800136	800120	800146	—	—
SWRB61*H, SWRD61*H and SWRB61*J	687574	800157	800358	—	—	—
SWRF61*J	687574	800157	800358	—	800125	800680

* Add Letter To Designate Color. L – Almond W – White

Order the individual wire color and gauge by the part number listed below. Order wire by the foot and terminals and connectors as required. It is recommended when applying terminals to wires that the terminals be soldered to the wires.

IMPORTANT: Always replace wires with proper gauge.

PART NUMBER	WIRE GAUGE	WIRE COLOR
45001	18 Gauge Wire	Black
45380	12 Gauge Wire	Orange

* Add Letter To Designate Color. L – Almond W – White

Parts Index

A

Actuator	
36164	9
Actuator Support	
685592	9

B

Backflow Preventer	
34500	27, 29
800310	37
Base	
800425	39
Base Harness	
687574	46
Beaded Strap	
33489	37
Bearing Housing Assembly	
800428	33
Belt	
800319	35
Bolt	
29651	7, 9, 11
Bracket	
30642	11, 13, 15
35525	13
504228	7
510146	11, 13, 15
†35525	11
Bumper	
56128	7, 39
800233	23
Bushing	
M402542	9
503235	9

C

Cabinet Top	
510030*P	11, 13
510031*P	13, 15
510033*P	7
Cam	
27261	5
Cap Screw	
02916	23
Card Reader	
39685	15
Card Reader Assembly	
210045	21
Card Reader Harness	
800125	46
Carriage Bolt	
02505	13
†02505	11
Catch	
685430	23, 25

Clamp Ring	
800312	31
Clip	
36985	9, 43
800553	33
Clutch	
29503	11
Clutch Assembly	
29503	9
Coin Drop	
38479	13
Coin Funnel Kit	
523P3	9, 11
Coin Slide Extension	
685593	9
Coin Slide Guard	
58181	9
Control Cabinet Wrapper	
800052*	7
Control Harness	
800113	46
800136	46
800157	46
800358	46
Control Hood	
502567*	17, 19
511049*	21
Control Hood Rear Panel	
505798	17, 19
Control Knob Assembly	
39897	5, 17
Control Panel Frame	
800142*	17
800149*	19
800273W	5
800710*	21
Control Panel Overlay	
800135	17
800228	21
800260	5
800414	19
800423	17
800495	5
Control Shield	
210053	19, 21
800065	9
800722	39

D

Diagnostic Harness	
800680	46
Dispenser and Valve Housing Assembly	
685756	27
Dispenser Drawer Front	
685715*	27
Dispenser Hose	
800325	29
800331	27
Dispenser Inlet Hose	
800325	27

Dispenser Mounting Bracket 800242	27
Door Assembly 800436*	25
Door Bezel 685400*	23
Door Glass 800343P	25
Door Handle 685438	23
800342	25
Door Hinge Assembly 800339	25
Door Latch / Switch Assembly 685429	23
Door Latch/Switch Assembly 685429	25
Door Locked Label 685947	45
Door Seal Assembly 800232	23, 25, 27
Door Seal Clamp 685743	23, 25
Door Switch 800211	23, 25
Drain Hose 27154	37
Drain Pump 685703	37
Drawer 685757	27

E

18 Gauge Wire 45001	46
Elbow 35766	37
Electronic Control 800603P	19
800671	19, 21
End Cap 210108*	21
210109*	21
Expansion Clip 70030501	35

F

Flat Washer M400080	35
M400081	31
800457	31
Flatwasher 800464	33
Foam Tape 685366	23, 25
685389	23
Front Panel 800336*	25
800412*	23

Front Panel and Door Assembly 800435*P	23
Front Security Cabinet Assembly 505337*	7

G

Gasket 26354	13
35526	13
37526	15
†35526	11
Grommet 29175	31
685834	37
Ground Clip 00161	31

H

Harness Clip 36274	43
Hinge 510136	39
511036	7
Hinge Assembly 685460	23
Hinge Plate 685470	23
800437	25
Hold-Down Clip 800345	25
Hose Clamp 20211	37
20391	37
36801	23, 25, 27, 37
36802	37
685725	27
800803	27, 29
Hose Washer 20290	29

I

Indicator Light 32464	5, 17
32519	5, 17
Inlet Hose Assembly 28330P	29
Inlet Screen F270200	29
Inner Basket 800429P	31
Inner Door Bezel 800340	25
Insert 685716	27
Instruction Label 38192	15
685942	7
800137	11

Instruction Sticker 800137	13, 15
-------------------------------------	--------

K

Knurled Nut 24205	5, 17
----------------------------	-------

L

Label	
24903	13
685928	39
Leveling Leg	
34319	39
800014	39
Lock Assembly	
27260	5
Locknut	
23951	23, 25
29786	13, 15
52566	15, 23
685846	23, 25
800452	31, 33
Lockwasher	
M400014	33, 35
M400017	15, 17, 19, 23
M403958	33
02431	15, 17, 19
02834	35
03815	43
25820	5, 17
91176	5, 17
Lockwashers	
M400014	41
Low Sudsing Label	
800420	45
Lower Access Panel	
510069*	23, 25

M

Meter Case	
38724*	13
524P3*	11
Meter Case Gasket	
†26354	11
Mixing Valve	
800434	29
Mixing Valve Plate	
800323	29
Motor Assembly	
685639P	35
Motor Brush Kit	
738P3	35
Motor Control Board	
687539P	39
800076P	9, 17
Motor Harness	
800120	46
Motor Speed Switch	
800404	5

Mounting Bracket	
600046	31
800308	37
800602	35
Mounting Plate	
800552	33

N

Never Seeze	
685606P	33
Nut	
02788	17
03673	43
20274	39
21899	39
29796	7, 9, 11
52556	17, 19
52947	5, 17
70054	21
†29786	11

O

Outer Door Bezel	
800341*	25
Outer Tub	
800248	31
Outer Tub Front	
800430	31
Outer Tub-to-Pump Hose	
800317	37
Out-of-Balance Switch	
800321	31
Overlay	
38717	13

P

Pad	
685368	23, 25
Panel Locator	
56079	7, 23, 25, 39
Plastic Boot	
36165	9
Power Cord	
34458	43
Pressure Bulb	
30907	31
Pressure Hose	
39129	31
685751	31
800648	31
Pressure Switch	
800468	9, 17, 19, 21
Pulley	
685612	33
Pump-to-Elbow Hose	
685737	37

R

Rear Access Panel	
800646	39
Rear Panel	
800745*P	39
Relay	
431349	9, 17
Retainer Clip	
39177	37
Retainer Nut	
27222	11, 13
30647	11, 13, 15
Rubber Foot	
34318	39
70282	39

S

Screw	
M400043	33
M400056	35
M411072	35
02916	15, 17, 19
03950	9
20530	13, 21
21720	9, 11
23008	7, 25
23222	19
23962	15
32671	7, 23, 25, 39
33562	9, 23
35528	17
36048	11, 13, 15
36166	9
38096	37
501086	17, 19, 21, 29
501524	9, 17, 19, 21, 39
502431	11
503661	9, 11, 13, 15, 19, 21, 23, 25, 29, 31, 35, 37, 39
503673	11, 13, 15
503688	7, 9
51782	9
52864	17, 19, 21
52909	11, 15, 37
62853	23
685830	27
685831	33
685836	23, 25
685837	43
685840	41
685862	23
800258	17
800461	31, 33
800462	31
800528	25
800548	23, 25, 27
800549	25
Seal	
800432	31
Sealant	
27615P	37
Sealing Washer	
200608	19, 21

Security Case	
38145*	15
Security Top Panel	
504229	7
Service Door	
39874*	11, 13, 15
Setscrew	
20310	5, 17
Shield	
38067	37
38754	15
Shipping Brace Kit	
728P3	41
Shipping Bracket	
800347	41
Shipping Bracket Label	
686901	41
Shipping Cord and Brace Assembly	
800364	41
Shock Absorber Assembly	
800622	33
800623	33
Shoulder Screw	
36048	7
Side Panel	
800004*P	39
800005*P	39
Spacer	
800015	39
Speed Nut	
36020	7, 25
Speed Switch	
800404	17
Spring	
800346	23, 25
Start Switch	
55899	17
Start Switch Assembly	
55899	5
Strain Relief	
38384	43
Switch	
504570	13

T

Temperature Switch	
685595	5, 17
Timer	
685585	9, 11
800721	9, 11
Timer Bracket	
35249	11
685365	9
Timer Harness	
800146	46
Transformer	
210018	19, 21
686513	35
12 Gauge Wire	
45380	46

V

Valve	
685766P.....	27
Vent Hose Assembly	
800424.....	37
Vinyl Washer	
23225.....	15

W

Warning Label	
24903.....	9, 11, 19, 21, 45
500049.....	31, 41, 45
Washer	
30627.....	15
35917.....	23
800457.....	33
800465.....	37
Weight	
800205.....	31
Wire Clamp Ring	
800438.....	23, 25
Wire Clip	
504034.....	43
687500.....	27, 43
Wire Tie	
38663.....	37, 43
55881.....	23, 25, 27, 43

