

Drying Tumblers

110 Pound Capacity

Refer to Page 3 for Model Numbers

Parts



Part No. M411445R1
April 2000

Table of Contents

Title	Page
Parts Ordering Information	2
Nameplate Location	2
Model Identification	3
Single Timer Control	4
Dual Timer Controls	6
Temperature Controls	8
Access and Lint Panels	10
Front Panel	12
Door Assembly	14
Lint Screen and Drive Guard	16
Drive Sheave, Step Pulley and Belts	18
Trunnion Bearings	20
Cylinder Drive Motor	22
60 Hertz Fan and Motor Assembly	24
50 Hertz Fan and Motor Assembly	26
Cylinder and Trunnion Shaft	28
Gas Valve and Piping	30
Gas Burner and Igniter	32
Steam Heating Unit.....	34
Reversing Controls	36
Air Flow Switch Assembly.....	38
Parts Index.....	41

© Copyright 2000, Alliance Laundry Systems LLC

All rights reserved. No part of the contents of this book may be reproduced or transmitted in any form or by any means without the expressed written consent of the publisher.

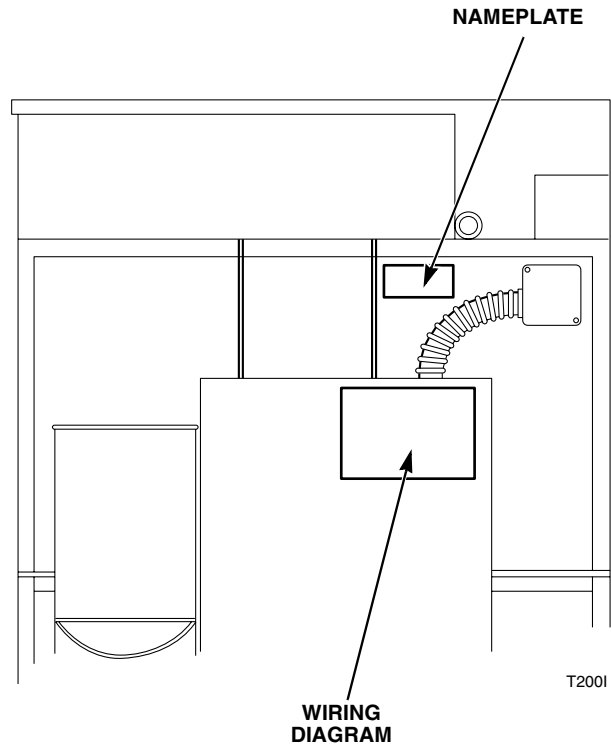
Parts Ordering Information

If literature or replacement parts are required, contact the source from whom the machine was purchased or contact Alliance Laundry Systems LLC at (920) 748-3950 for the name and address of the nearest authorized parts distributor.

For technical assistance, call (920) 748-3121.

Nameplate Location

When calling or writing about your product, be sure to mention model and serial numbers. Model and serial numbers are located on nameplate(s) as shown.

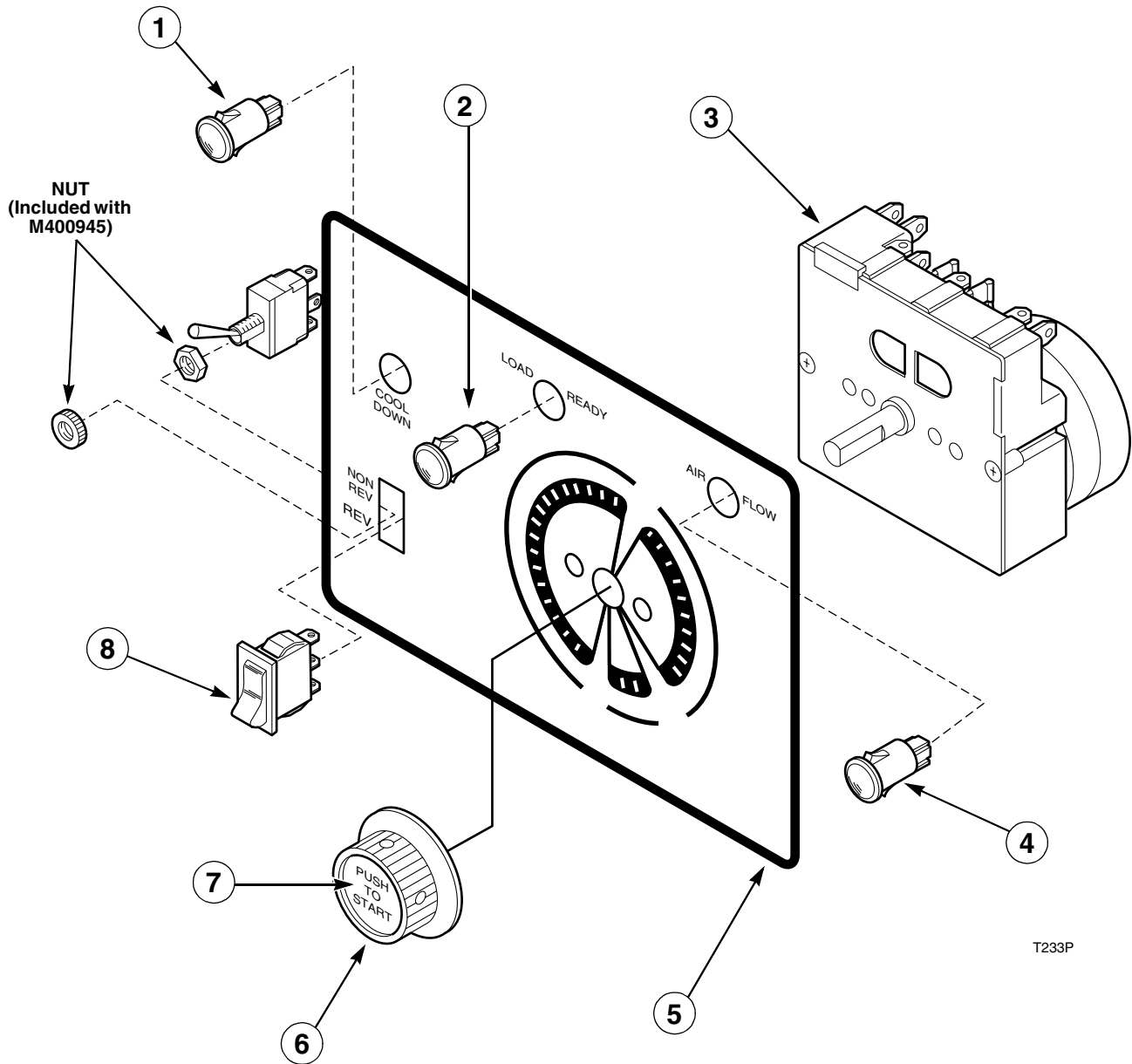


Model Identification

Information in this manual is applicable to these drying tumblers:

JT110CG	JTD110CG	ST110CG	STD110CG
JT110CSH	JTD110CSH	ST110CSH	STD110CSH
JT110GH4	JTS110CG	ST110GH4	STS110CG
JT110SH5	JTS110CSH	ST110SH5	STS110CSH

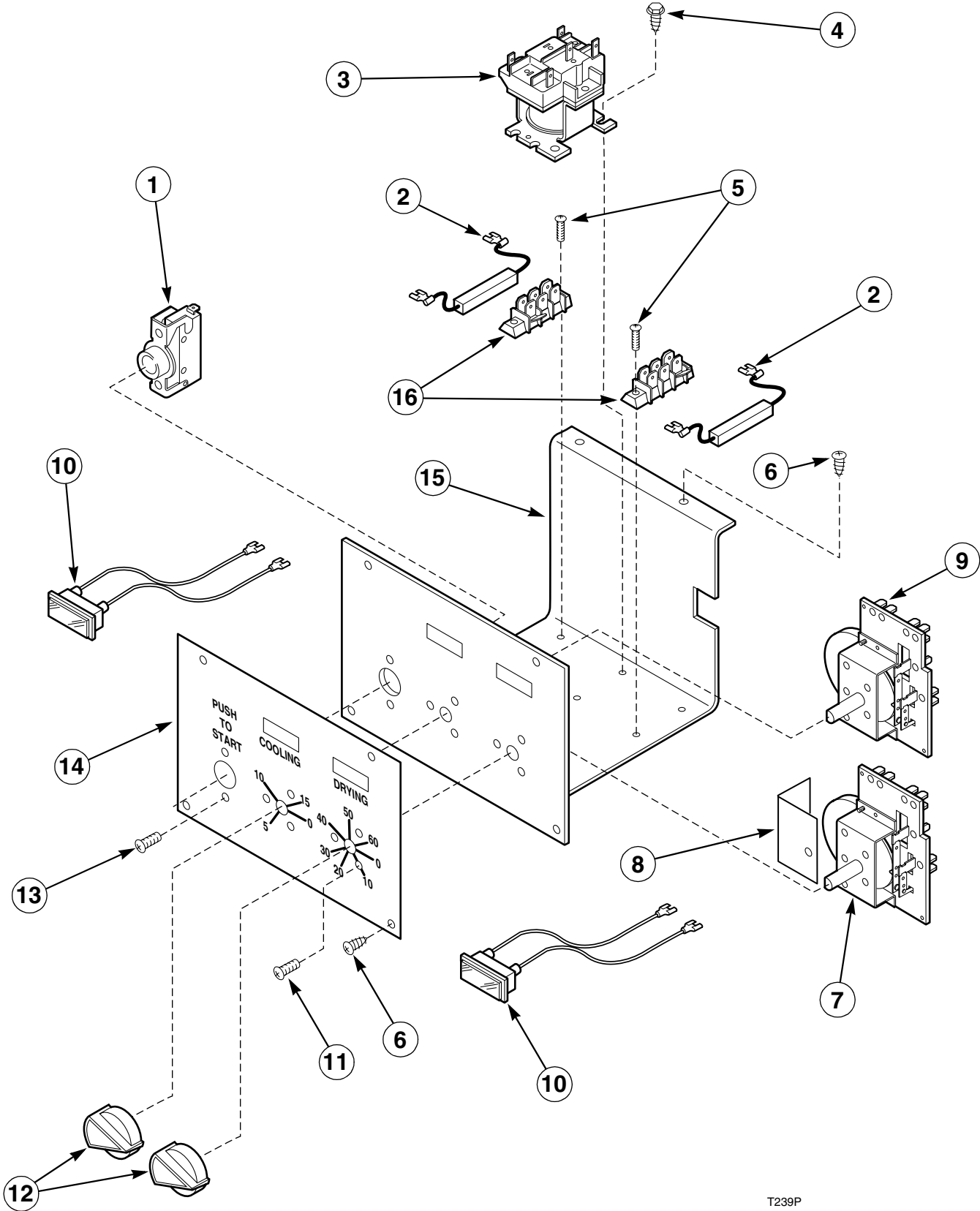
Single Timer Control



Single Timer Control

REF	PART NO.	DESCRIPTION	COMMENTS
1	H96422506	Cool Down Light	
2	H96422506	Ready Light	
3	H96402334	Three Cycle Timer	50 Hertz
	H96402318	Three Cycle Timer	60 Hertz
4	H96422522	Air Flow Light	
5	M409749	Timer Label	
6	H83901157	Timer Knob	
7	M409828	Push-to-Start Label	
8	M400945	Reversing Switch	Toggle
	H96422431	Reversing Switch	Rocker

Dual Timer Controls

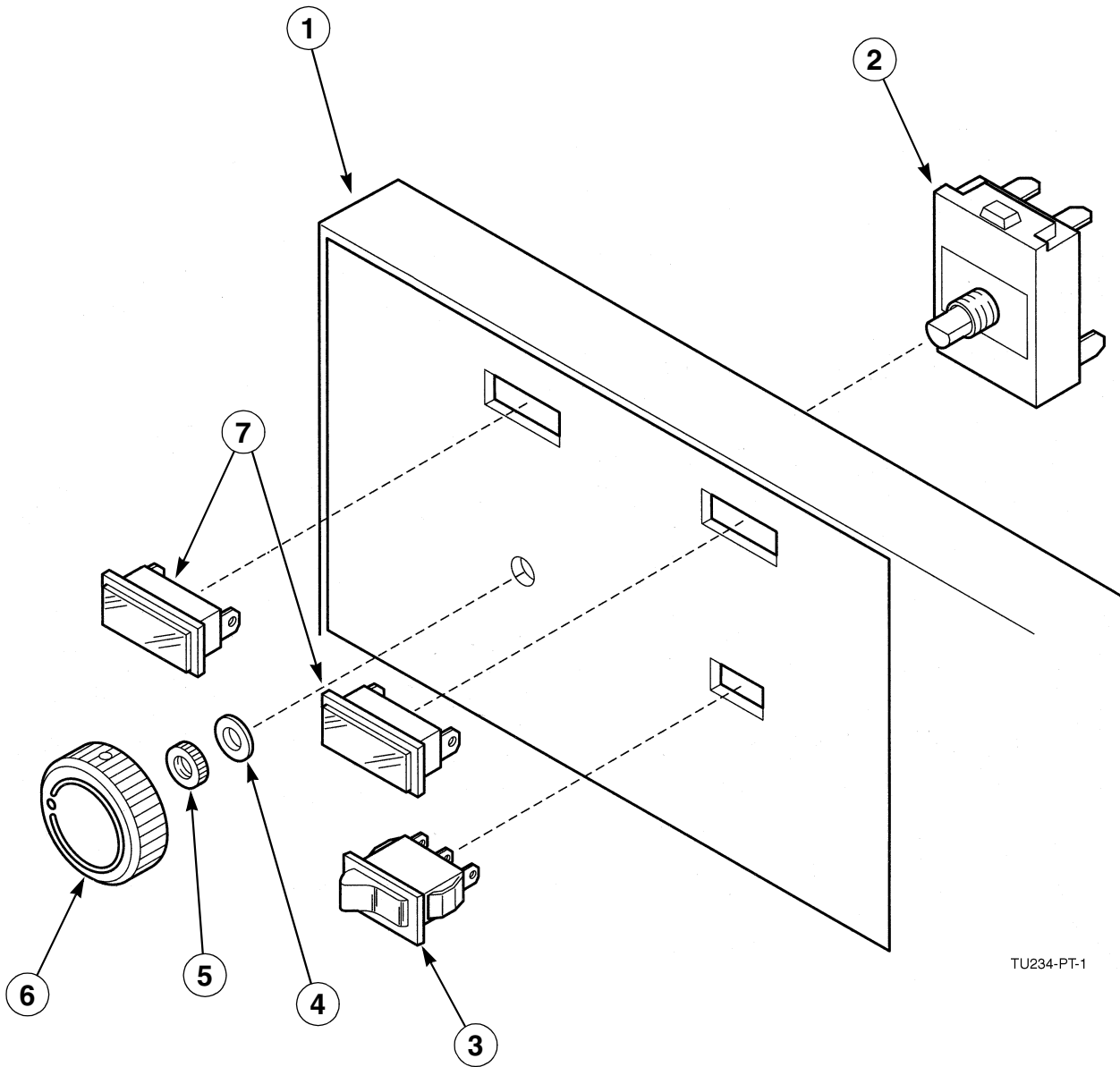


T239P

Dual Timer Controls

REF	PART NO.	DESCRIPTION	COMMENTS
1	M400954	Push-to-Start Switch	
2	M410992	Resistor	
3	M400908	Relay	
4	51780	Screw	
5	M400071	Screw	
6	M400664	Screw	
7	M410902P	Cooling Timer – 15 minute	50 Hertz
	M410900P	Cooling Timer – 15 minute	60 Hertz
8	M406144	Insulator	
9	M410903P	Drying Timer – 60 minute	50 Hertz
	M410901P	Drying Timer – 60 minute	60 Hertz
10	M400704	Light	
11	M411052	Screw	
12	M400773	Timer Knob	
13	M400072	Screw	
14	M410266	Timer Graphics Plate	
15	M410274	Timer Bracket	
16	M400000	Terminal Bracket	

Temperature Controls

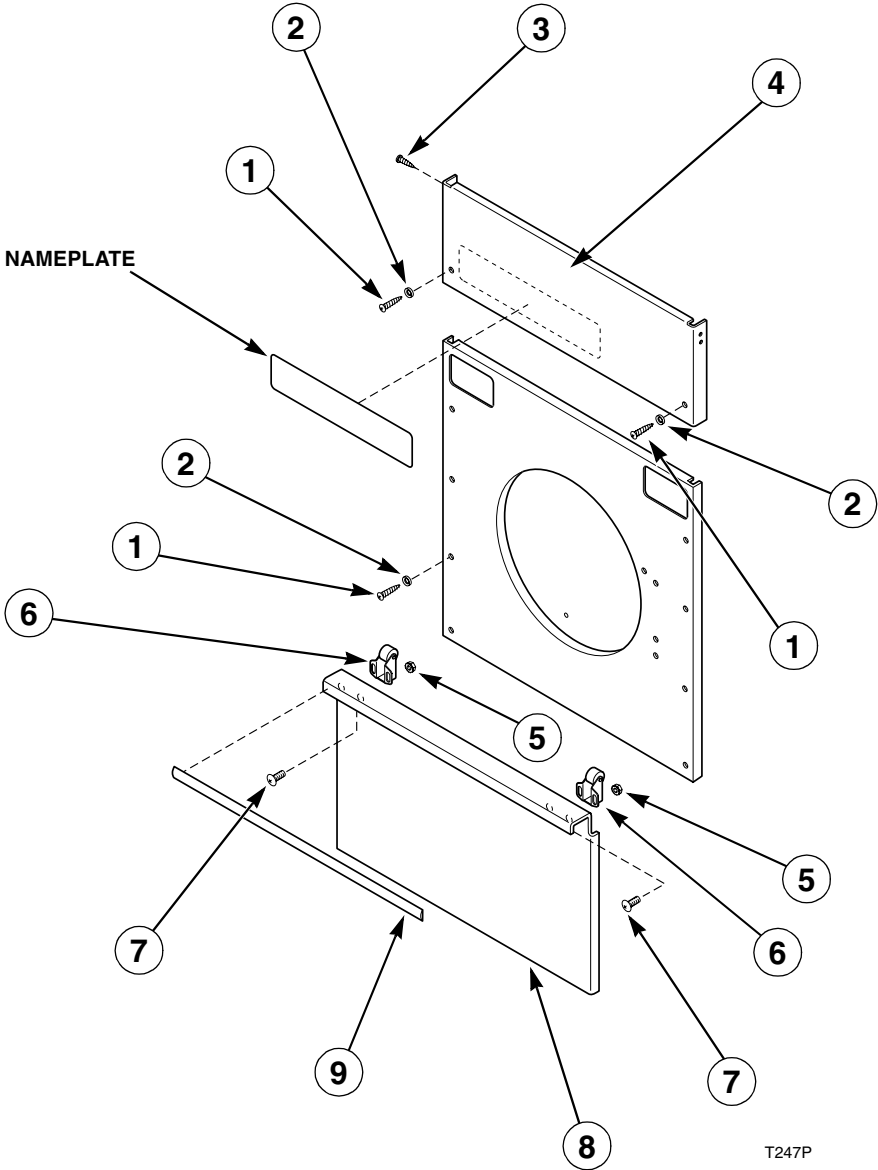


TU234-PT-1

Temperature Controls

REF	PART NO.	DESCRIPTION	COMMENTS
1	M410267	Graphics Panel	Reversing Models, Silver
	M410330	Graphics Panel	Nonreversing Models, Silver
2	27762	Temperature Switch	
3	M413270	Reversing/Nonreversing Switch	
4	91176	Lockwasher	
5	24205	Knurled Nut	
6	M400777	Temperature Knob	
7	M400704	Light	

Access and Lint Panels



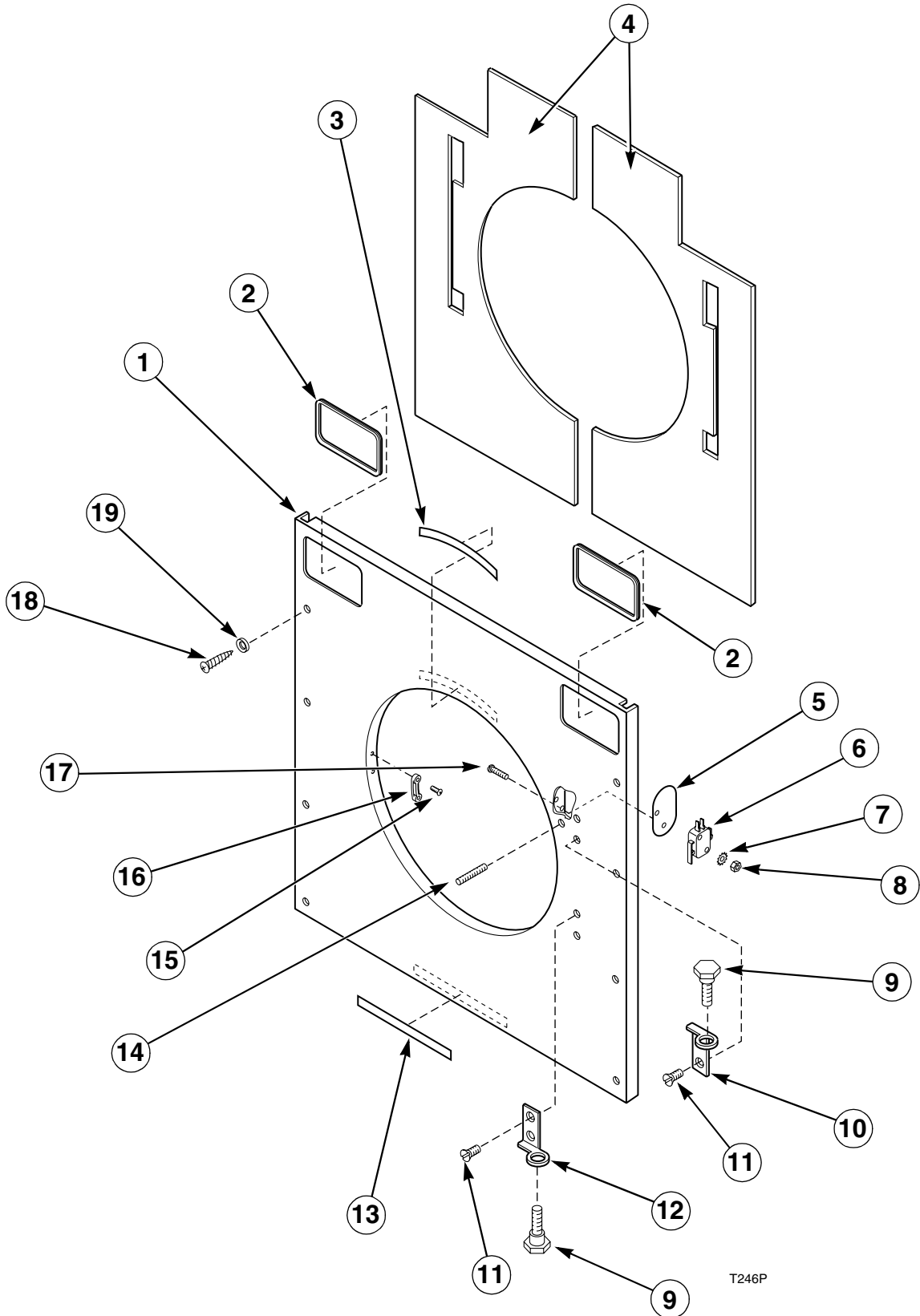
T247P

Access and Lint Panels

REF	PART NO.	DESCRIPTION	COMMENTS
1	H88213707	Screw	
2	H88569108	Nylon Washer	
3	M401902	Screw	
4	H96428073*	Top Access Panel	Gas Models, Painted
	H964428677	Top Access Panel	Gas Models, Stainless Steel
	H96428594*	Top Access Panel	Steam Models, Painted
	H96388194	Top Access Panel	Steam Models, Stainless Steel
5	23951	Nut	
6	H87020202	Roller Catch	
7	M400044	Screw	
8	H96428511*	Lint Panel	Painted
	H96428735	Lint Panel	Stainless Steel
9	H81224511P	Rubber Trim	

* Add letter to designate color: **L - Almond** **W - White** **V - Orange** **K - Red**
 B - Battina Green **H - Harvest Gold** **X - Electric Blue** **P - Turquoise**

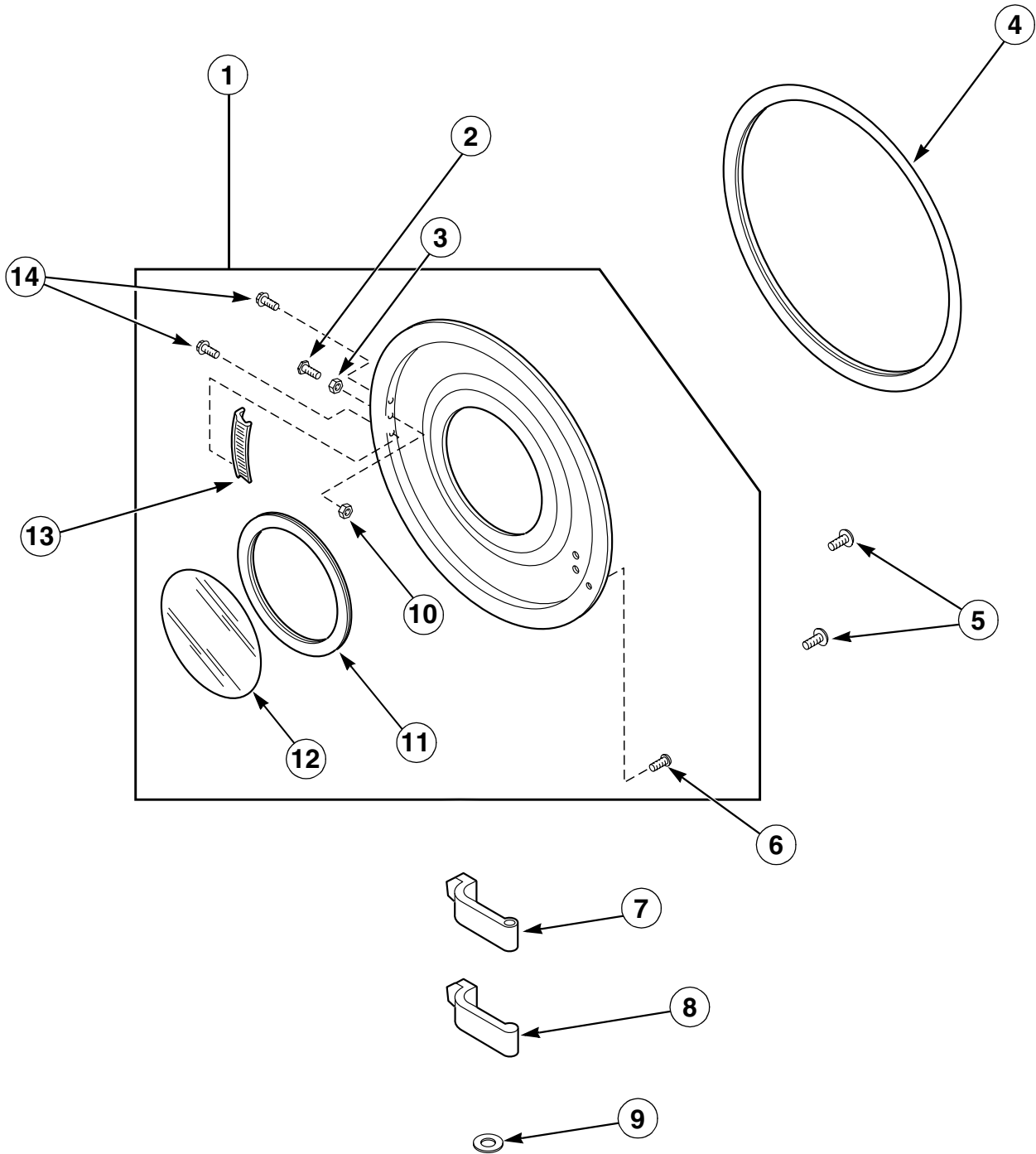
Front Panel



Front Panel

REF	PART NO.	DESCRIPTION	COMMENTS
	M409759	Wire Set	For Door Switch
1	M410268*	Front Panel	Models 110CG and 110CSH, Painted
	M410269	Front Panel	Models 110CG and 110CSH, Stainless Steel
	H96427588*	Front Panel	Models 110GH4 and 110SH4, Painted
2	M410291	Control Trim	
3	M410892	Warning Label	
4	H96422092	Insulation	
5	H96418728	Insulator	
6	H96422241	Door Switch	
7	H88512561	Lockwasher	
8	H88410030	Nut	
9	M410029	Hinge Pin	
10	M410041	Upper Panel Hinge	
11	H88129788	Screw	
12	M410042	Lower Panel Hinge	
13	M409312	Warning Label	
14	M409976	Actuator	
15	M400072	Screw	
16	M401223	Door Catch	
17	H88110267	Screw	
18	H88213707	Screw	
19	H88569108	Nylon Washer	
* Add letter to designate color: L - Almond W - White V - Orange K - Red			
B - Battina Green H - Harvest Gold X - Electric Blue P - Turquoise			

Door Assembly



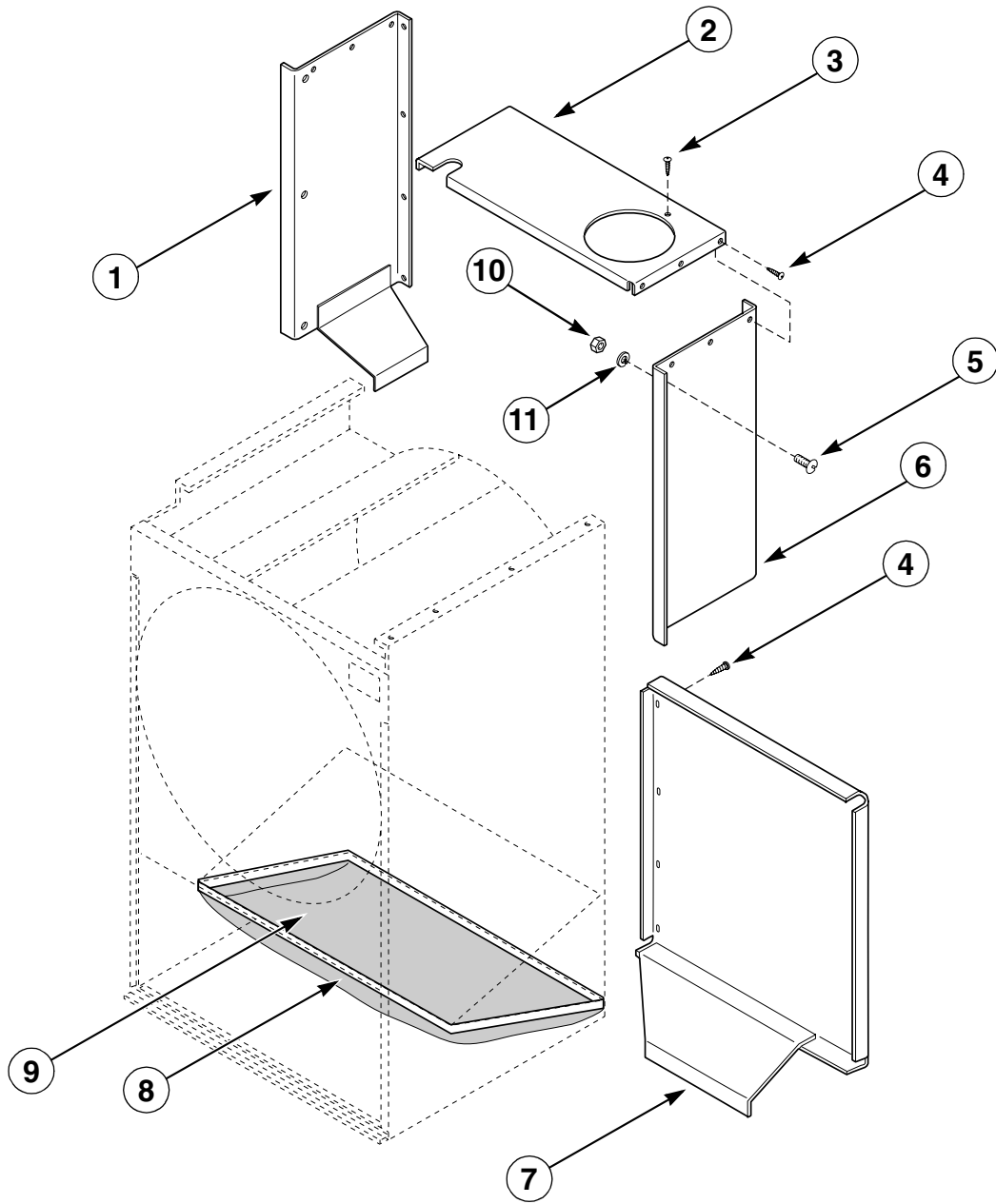
T248P

Door Assembly

REF	PART NO.	DESCRIPTION	COMMENTS
1	M410289*	Door Assembly	Painted
	M410290	Door Assembly	Stainless Steel
2	M400661	Door Strike Screw	
3	M400025	Nut	
4	M96409156	Door Gasket	Not Included with Door Assembly
5	H88129785	Hinge Mounting Screw	Not Included with Door Assembly
6	M400044	Hinge Mounting Screw	Not Included with Door Assembly
7	M410031	Upper Door Hinge	Not Included with Door Assembly
8	M410030	Lower Door Hinge	Not Included with Door Assembly
9	M400671	Washer	Not Included with Door Assembly
10	70054	Nut	
11	M409900	Door Glass Seal	
12	M409899	Door Glass	
13	M400133	Door Handle	
14	M409385	Screw	

* Add letter to designate color: L - Almond W - White V - Orange K - Red
 B - Battina Green H - Harvest Gold X - Electric Blue P - Turquoise

Lint Screen and Drive Guard

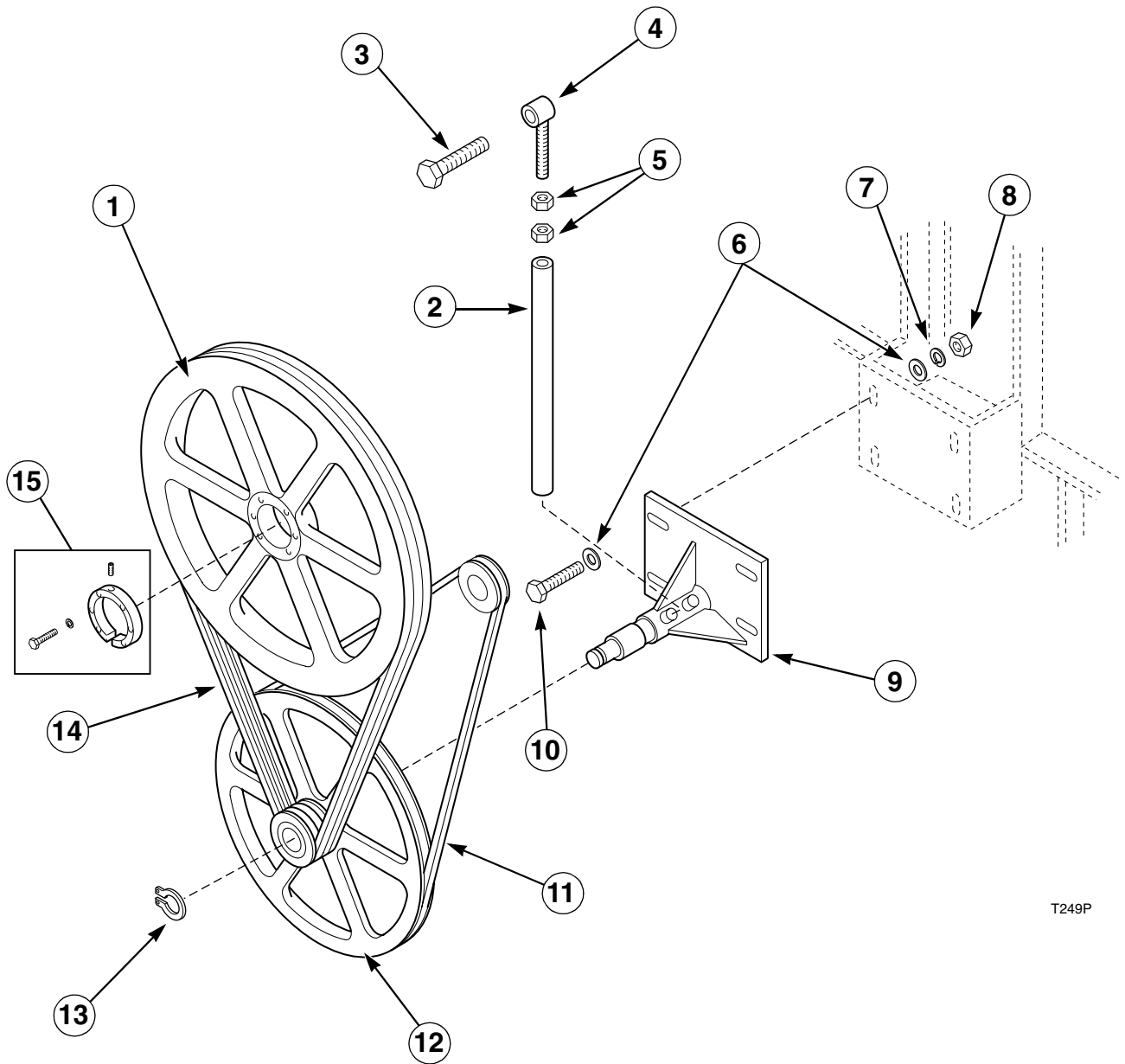


T245P

Lint Screen and Drive Guard

REF	PART NO.	DESCRIPTION	COMMENTS
1	H96427729	Drive Guard Side	Left
2	H96359054	Drive Guard Top	
3	M405188	Screw	
4	M401902	Screw	
5	H88111703	Screw	
6	H96358866	Drive Guard Side	Right
7	H96427711	Drive Guard Cover	
8	M409717	Lint Screen Frame	Models 110CG and 110CSH
	H96422191	Lint Screen Frame	Models 110GH4 and 110SH4
9	M409652	Lint Screen	Models 110CG and 110CSH
	H96422027	Lint Screen	Models 110GH4 and 110SH4
10	20274	Nut	
11	M400014	Washer	

Drive Sheave, Step Pulley and Belts

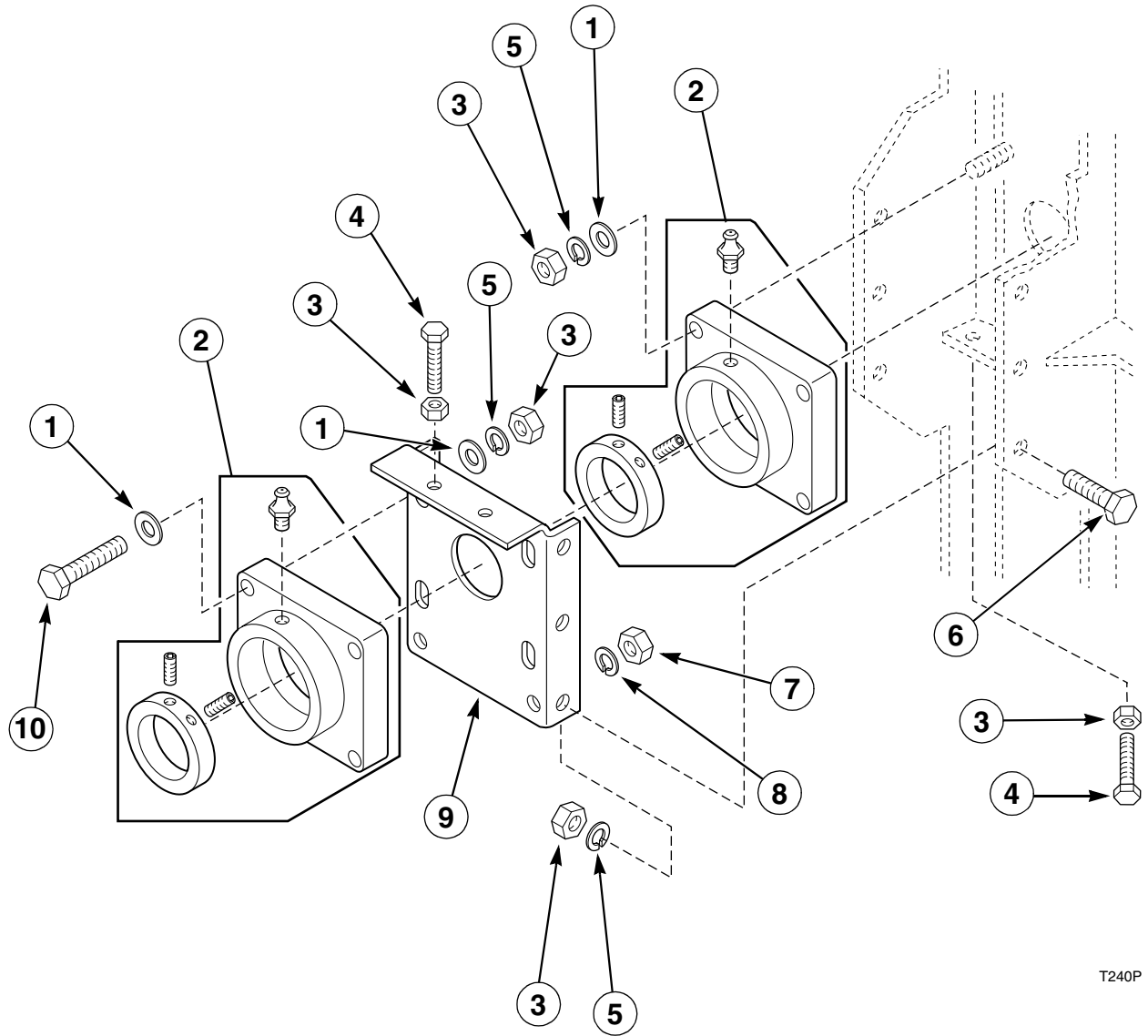


T249P

Drive Sheave, Step Pulley and Belts

REF	PART NO.	DESCRIPTION	COMMENTS
	H87672184	Step Pulley Bearings	Outer
	H87672374	Step Pulley Bearings	Inner
	H88603477	Retainer Ring	2 Required
1	H8752251N	Sheave	
2	H96428479	Tube	
3	H88001565	Bolt	
4	M411337	Eye Bolt	
5	M404993	Nut	
6	M400080	Washer	
7	M400014	Lockwasher	
8	20274	Nut	
9	H96357751	Jackshaft Assembly	
10	20255	Screw	
11	H87533014	Belt	
12	H96428024	Step Pulley	
13	H88602263	Retainer Ring	
14	H87533816P	Belt	Set of 3
15	H8752985H	Bushing	

Trunnion Bearings

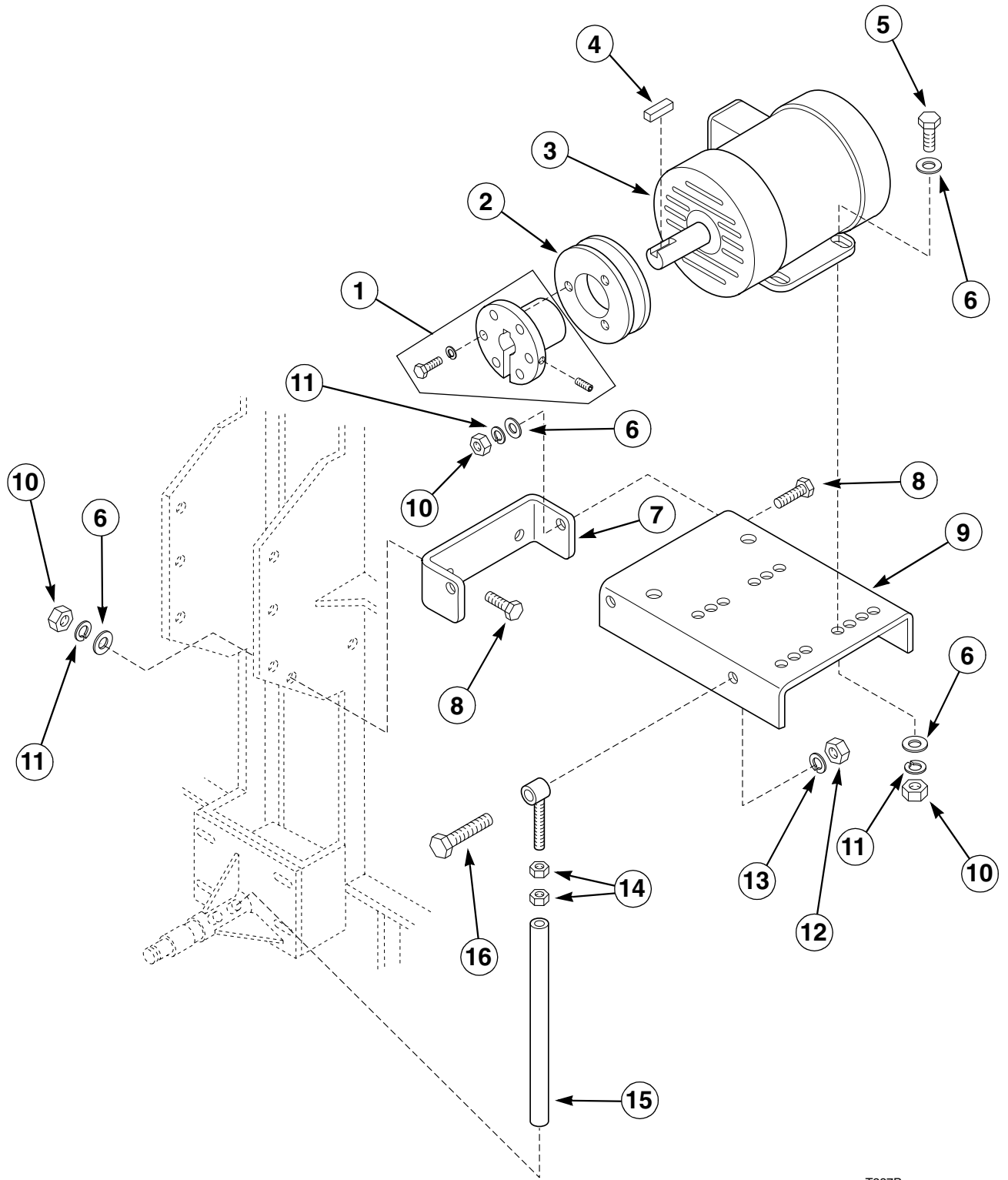


T240P

Trunnion Bearings

REF	PART NO.	DESCRIPTION	COMMENTS
1	M400081	Washer	
2	H8762544H	Trunnion Bearing	
3	20274	Nut	
4	H88213996	Screw	
5	M400014	Lockwasher	
6	H88111703	Screw	
7	H88412093	Nut	
8	H88511118	Lockwasher	
9	H96425008	Mounting Bracket	
10	22688	Screw	

Cylinder Drive Motor

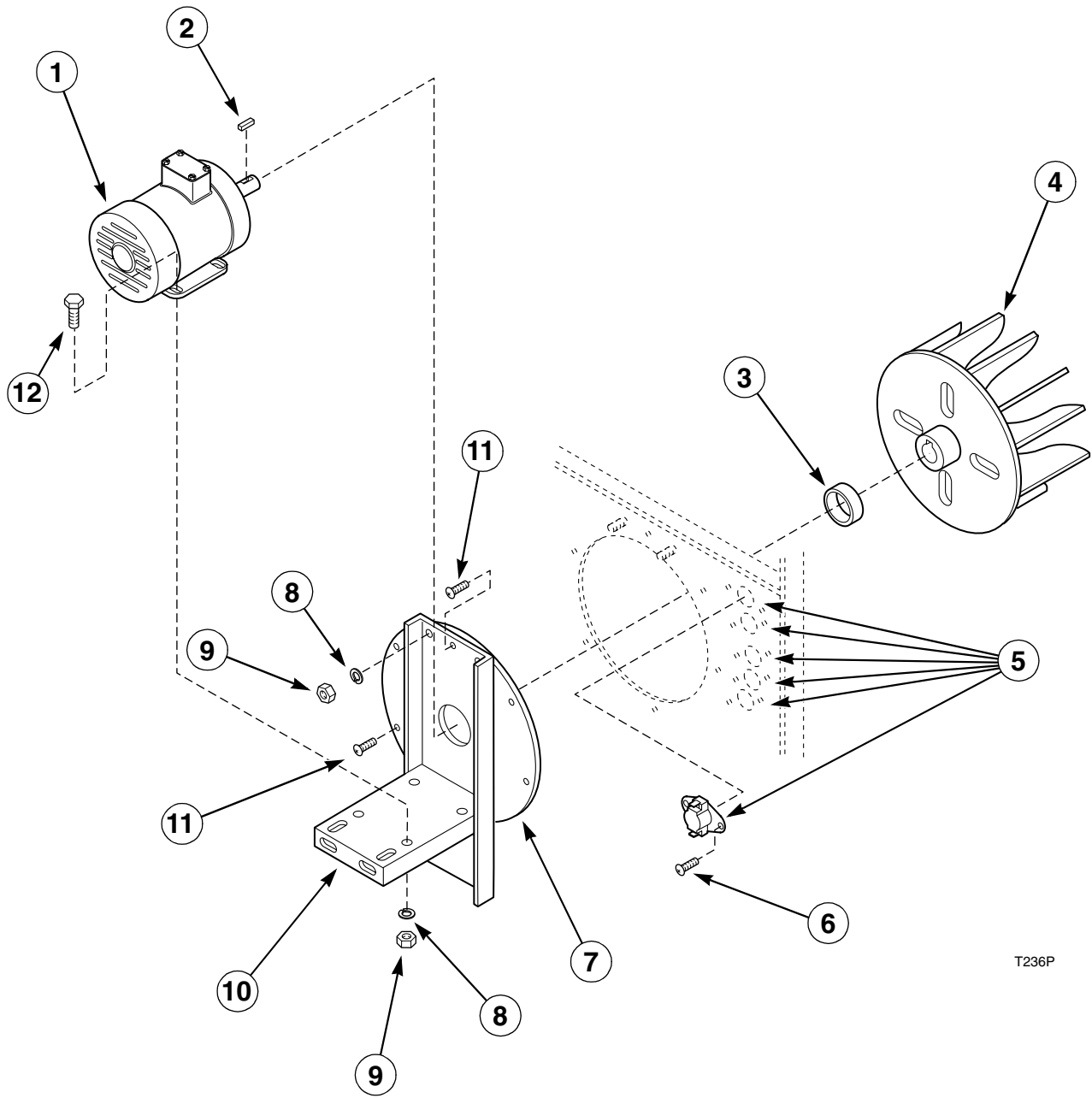


T237P

Cylinder Drive Motor

REF	PART NO.	DESCRIPTION	COMMENTS
1	H87529129	Taper Bushing	60 Hertz
	H87529111	Taper Bushing	50 Hertz
2	H87520466	Drive Sheave	60 Hertz
	H87520334	Drive Sheave	50 Hertz
3	H8371044H	Cylinder Drive Motor	208-240-480 Volt, 60 Hertz, 3 Phase
	H8371047H	Cylinder Drive Motor	220-380-415 Volt, 50 Hertz, 3 Phase
4	H8752006H	Key	
5	20255	Screw	
6	M400080	Washer	
7	H96428693	Bracket	
8	22688	Screw	
9	H96428461	Motor Base	
10	20274	Nut	
11	M400014	Lockwasher	
12	H88412093	Nut	
13	H88511118	Lockwasher	
14	M404993	Nut	
15	H96428479	Tube	
16	H88001565	Screw	

60 Hertz Fan and Motor Assembly

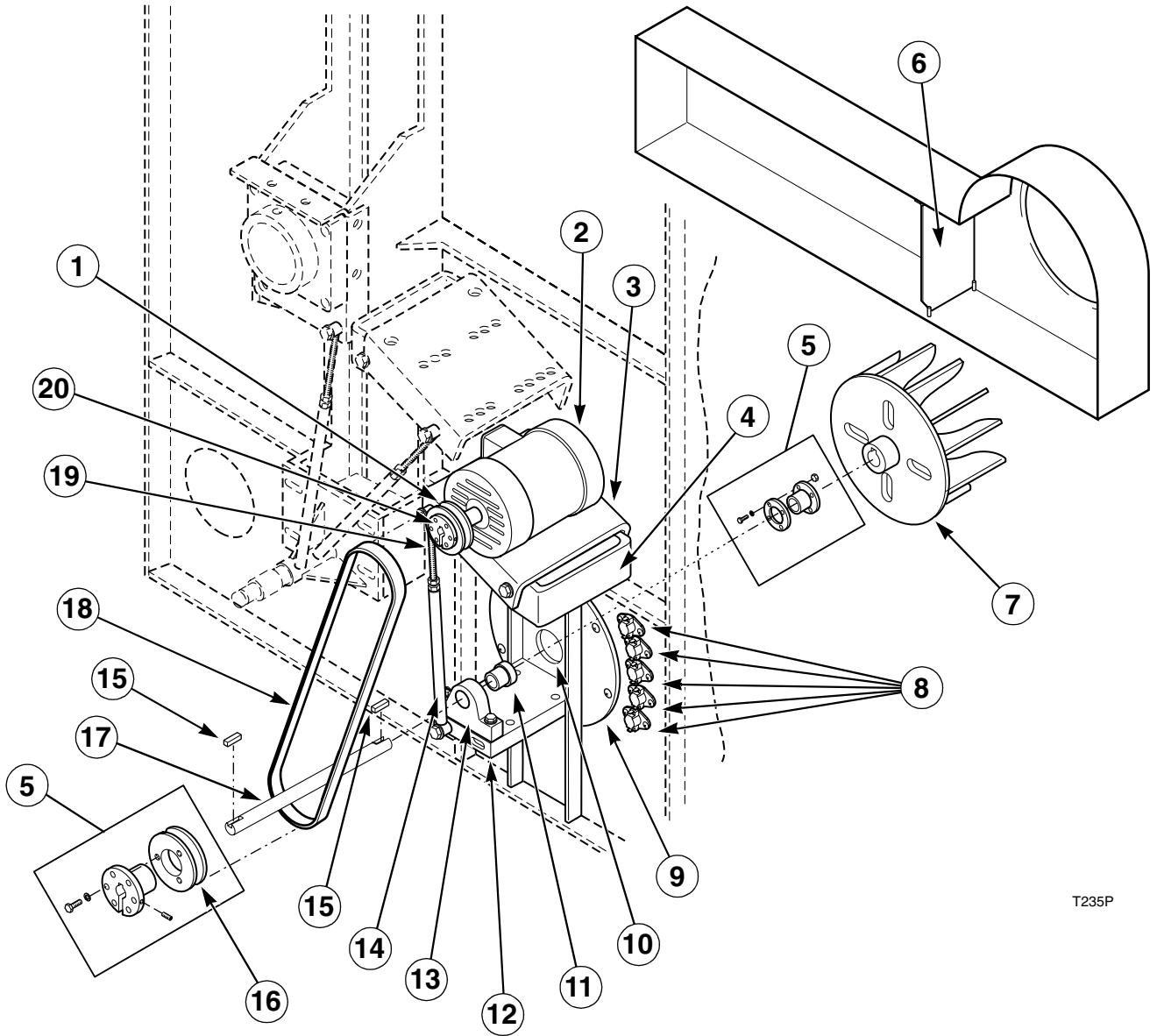


T236P

60 Hertz Fan and Motor Assemblys

REF	PART NO.	DESCRIPTION	COMMENTS
	H87520284	Motor Sheave	Nonreversing only
	H87529111	Hub for Motor Sheave	Nonreversing only
1	H83720185	Motors	208-230-460 Volt, 60 Hertz, 3 Phase, Nonreversing (2 Horsepower)
	H8372019H	Motors	208-230-460 Volt, 60 Hertz, 3 Phase, Reversing (1 Horsepower)
2	H8752006H	Key	
3	H87529160	Bushing	For Fan, Nonreversing
	H87529111	Bushing	For Fan, Reversing
4	H96358320	Fan	
5	H8900531H	Thermostats	High
	H89005227	Thermostats	High Limit
	H89005235	Thermostats	Medium
	H89005243	Thermostats	Low
	H8900530H	Thermostats	Load Ready
6	H88214515	Screw	
7	H96358007	Fan Cover	
8	02432	Lockwasher	
9	70142	Nut	
10	H96357603	Motor Bracket	
11	H83213574	Screw	
12	81122	Screw	

50 Hertz Fan and Motor Assembly

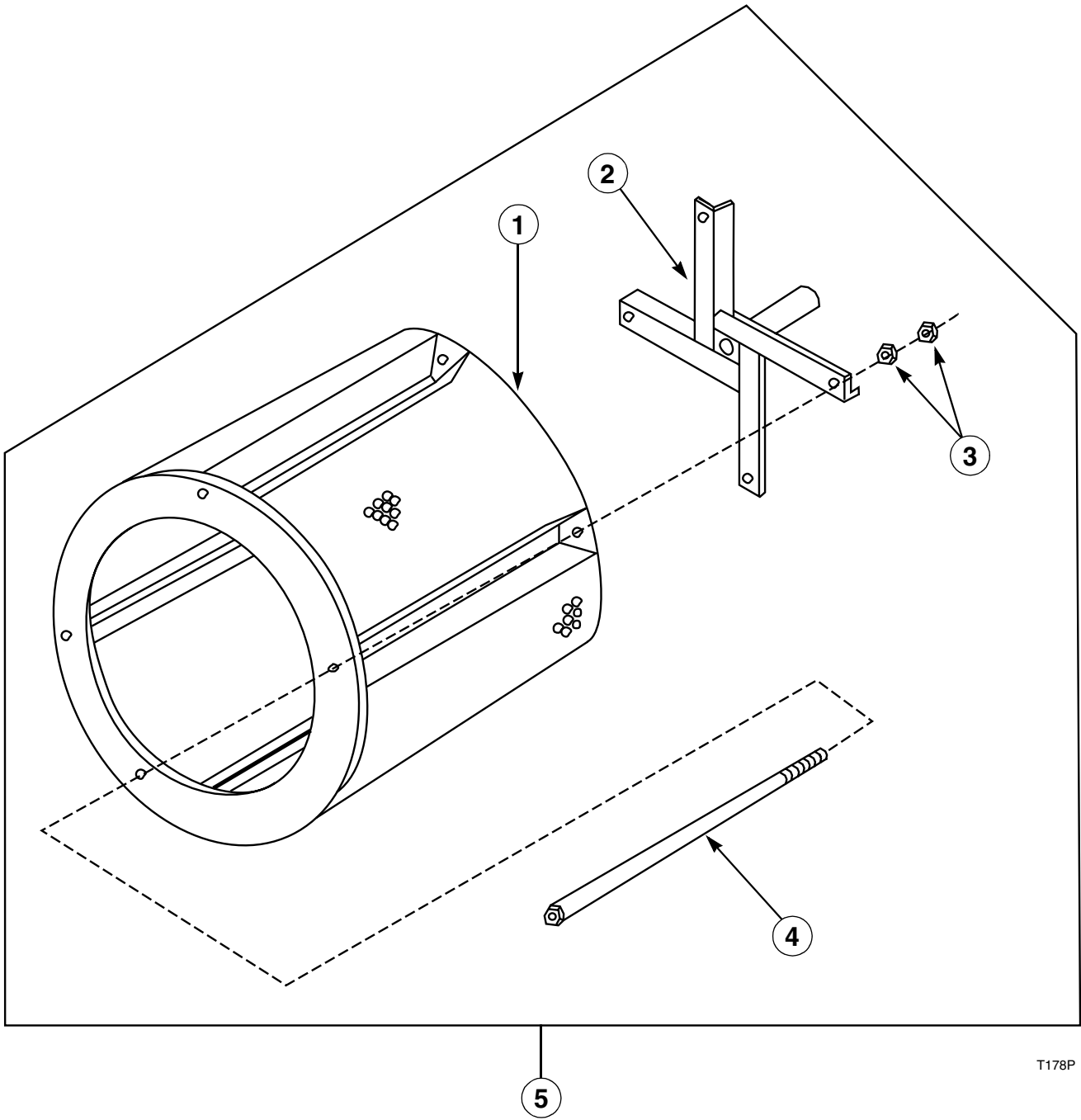


T235P

50 Hertz Fan and Motor Assembly

REF	PART NO.	DESCRIPTION	COMMENTS
1	H87520334	Sheave	
2	H8372018H	Fan Motor	220-380-415 Volt, 50 Hertz, 3 Phase
3	H96428461	Motor Base	
4	H96428693	Bracket	
5	H87529210	Bushing	
6	M409967	Damper and Hinge	
7	H96358320	Fan	
8	H8900531H	Thermostats	High
	H89005227	Thermostats	High Limit
	H89005235	Thermostats	Medium
	H89005243	Thermostats	Low
	H8900530H	Thermostats	Load Ready
9	H96358007	Cover	
10	H8768302H	Flangette	2 Required (Not Shown)
11	H8768212H	Bearing Insert	
12	H96427687	Base for Fan Shaft	
13	H87620026H	Pillow Block Bearing	
14	H87428479	Tube	
15	H8752006H	Key	
16	H87520284	Sheave	
17	H96428636	Fan Shaft	
18	H8753170H	Belt	
19	M411337	Eye Bolt	
20	H87529111	Bushing	

Cylinder and Trunnion Shaft

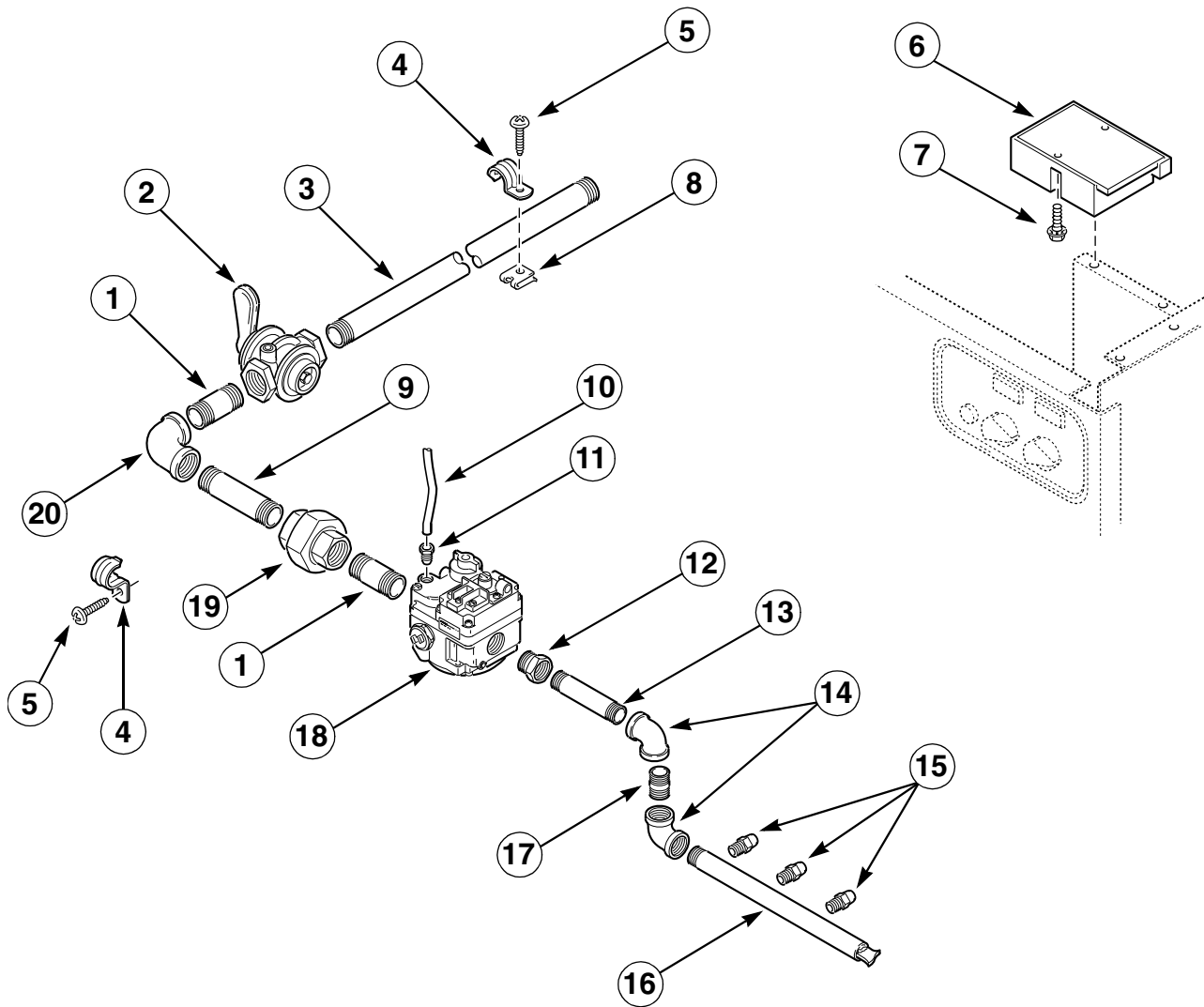


T178P

Cylinder and Trunnion Shaft

REF	PART NO.	DESCRIPTION	COMMENTS
1	H96427513	Cylinder	Galvanized
	M409788	Cylinder	Stainless Steel
	M409659	Cylinder	Poly Coated
2	H96357744	Trunnion Assembly	
3	M404993	Nut	
4	H88301411	Rib Rod	
5	H96420013	Cylinder and Shaft Assembly	Galvanized
	M409789	Cylinder and Shaft Assembly	Stainless Steel
	M409708	Cylinder and Shaft Assembly	Poly Coated

Gas Valve and Piping

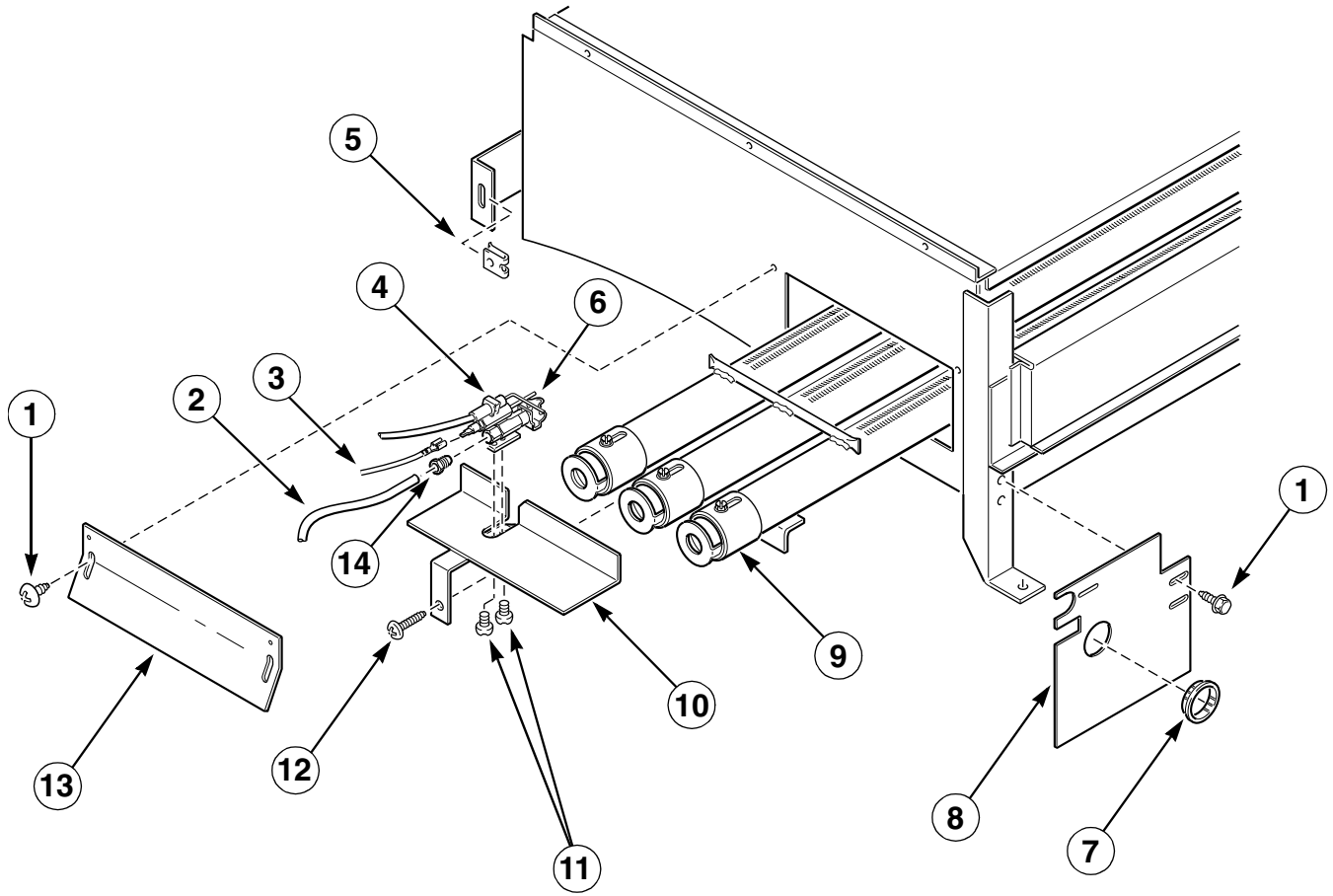


T250P

Gas Valve and Piping

REF	PART NO.	DESCRIPTION	COMMENTS
1	H85101624	Nipple	
2	M411613	Shut-off Valve	
3	H96378021	Inlet Pipe	
4	M411614	Clamp	
5	02937	Screw	
6	H8900657H	Ignition Control	Natural Gas
	H8900658H	Ignition Control	L.P. (Liquefied Petroleum) Gas
7	H88213574	Screw	
8	H8841927H	Speed Nut	
9	H85101657	Nipple	
10	M409736	Pilot Tube	
11	M400927	Tubing Nut	
12	H96372073	Bushing	
13	H85101251	Nipple	
14	H86050036	Elbow	
15	H8900083H	Burner Orifice	Natural Gas; (0 – 2000 feet) No. 7
	M411536	Burner Orifice	Natural Gas; (2001 – 4000 feet) No. 10
	H8900077H	Burner Orifice	Natural Gas; (4001 – 6000 feet) No. 12
	M410999	Burner Orifice	Natural Gas; (6001 – 8000 feet) No. 15
	H8900071H	Burner Orifice	L.P. Gas; (0 – 1999 feet) No. 31
16	H96372065	Manifold Pipe	
17	H85101210	Nipple	
18	H8526918H	Gas Valve	Order Part No. H8900095H Conversion Kit when using the valve with L.P. Gas
19	M411419	Union	
20	H86050044	Elbow	

Gas Burner and Igniter

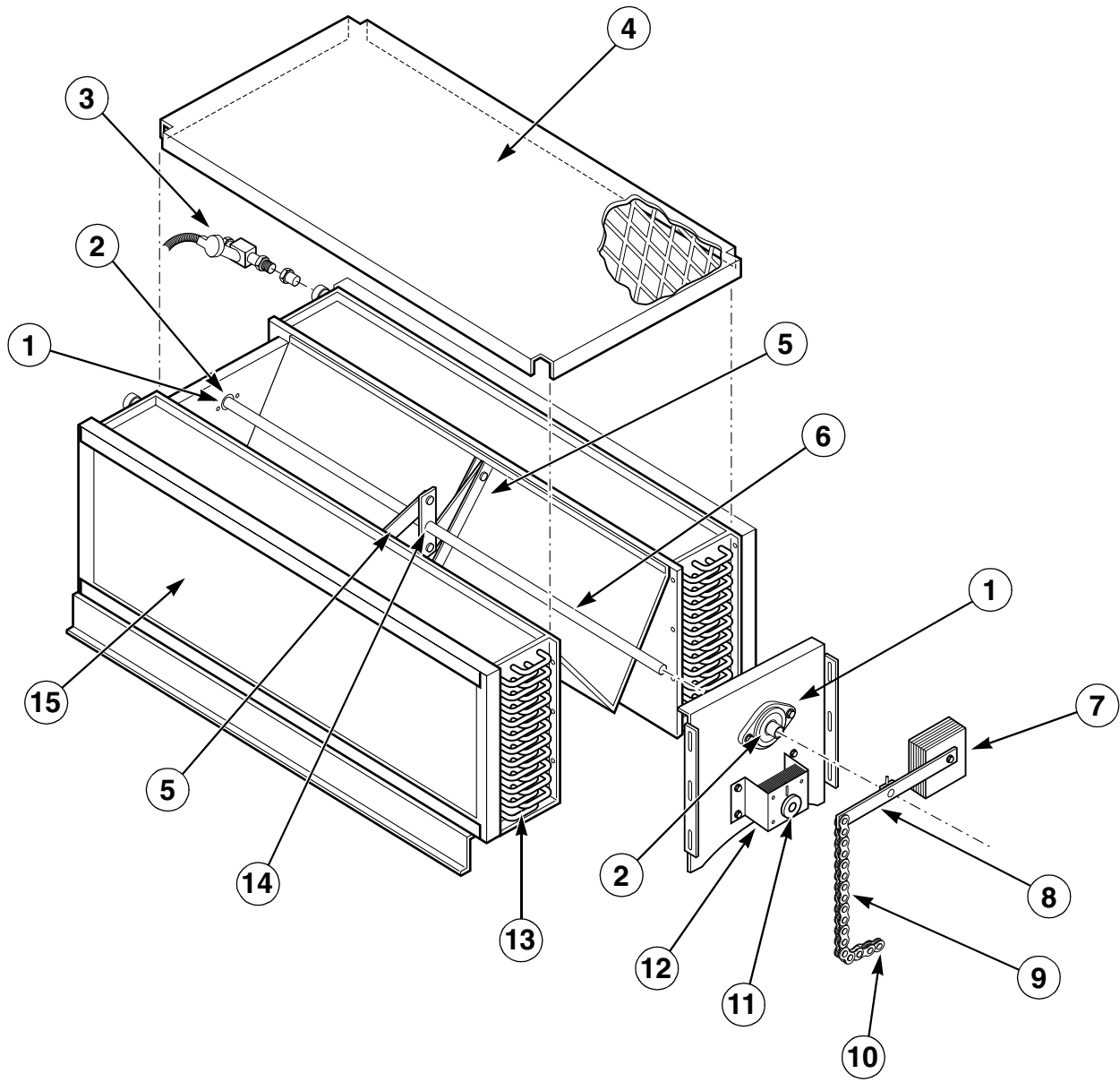


TU241-PT-1

Gas Burner and Igniter

REF	PART NO.	DESCRIPTION	COMMENTS
	H8900079H	Pilot Orifice	Natural Gas
	Q8152	Pilot Orifice	L.P. (Liquefied Petroleum) Gas
	M410259	Burner Wire Set	
	H89005169	Thermostat Stove High Limit	
1	M400664	Screw	
2	M409736	Pilot Tube	
3	H85289114	Sensor Wire	
4	H89000921	Pilot and Electrode Assembly	With Spark Plug Terminal
	M410183	Pilot and Electrode Assembly	With Quick Connect Terminal
5	H8841927H	Speed Nut	
6	M401209	Flame Sensor	
7	M405340	Snap Bushing	
8	M410275	Bracket	
9	M409739	Main Burner Assembly	Natural Gas
	H96372008	Main Burner Assembly	L.P. Gas
10	H96377510	Pilot Shield	
11	Q6695	Screw	
12	H8811414H	Screw	
13	M409901	Flash Shield	
14	M400927	Tubing Nut	

Steam Heating Unit

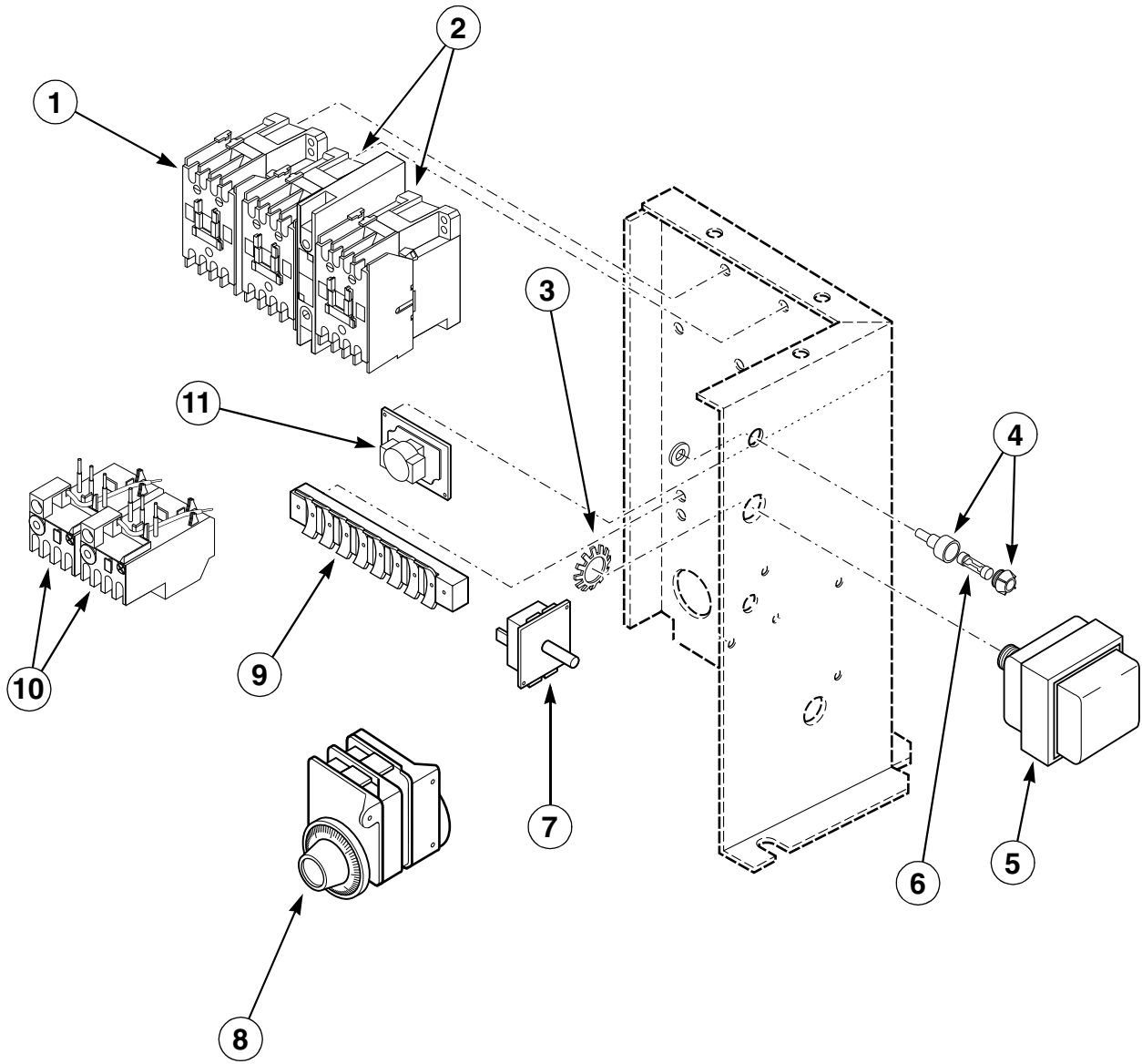


T244P

Steam Heating Unit

REF	PART NO.	DESCRIPTION	COMMENTS
1	H96382080	Bearing Flangette	2 Required
2	H96382098	Bearing Insert	
3	M411689	Steam Solenoid Valve	
4	H96388004	Housing Cover	
5	H96388012	Damper Link	
6	H96388079	Damper Shaft	
7	H96388038	Counterweight	4 Required
8	H96387501	Actuator Arm	
9	H96388186	Chain	
10	H96382072	Connecting Link	
11	H96388178	Damper Drive Wheel	
12	H96388145	Bracket	
13	H96382023	Steam Coil	2 Required
14	H96388061	Actuator	
15	H96382196	Filter	2 Required

Reversing Controls



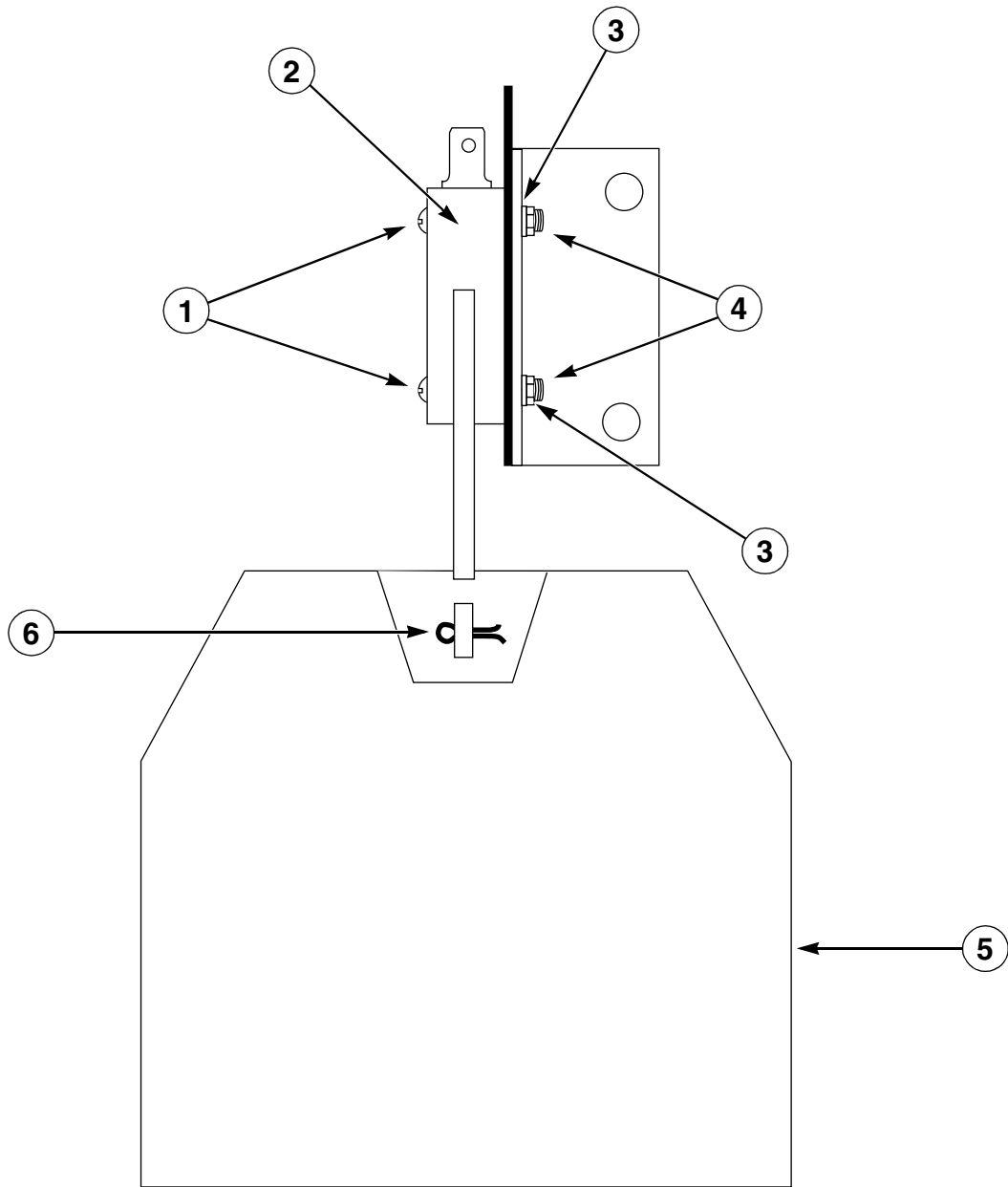
T243P

Reversing Controls

REF	PART NO.	DESCRIPTION	COMMENTS
	H83904615	Control Transformer	480 Volt Models Only
1	H8300830H	Fan Contactor	Models 110CG and 110CSH
	H96422233	Fan Contactor	Models 110GH4 and 110SH4
2	H8300831H	Reversing Contactor	
3	M409368	Locknut	
4	H83900050	Fuse Holder	
5	H83904664	Ignition Transformer	
6	H83900332	Fuse	1 Amp, 250 VAC
7	H83663070	Buzzer	
8	H96422399	Reversing Timer	
9	H83103416	Terminal Strip	
10	H8300105H	Overload Relay	Models 110CG and 110CSH, 208-240 Volt
	H8300107H	Overload Relay	Models 110CG and 110CSH, 380-415-480 Volt
	H96422605	Overload Relay	Models 110GH4 and 110SH4, All Voltages
11	H83005314	Time Delay Relay	

Air Flow Switch Assembly

(Mounted on Upper Right Cabinet Back)



T251P

Air Flow Switch Assembly

(Mounted on Upper Right Cabinet Back)

REF	PART NO.	DESCRIPTION	COMMENTS
1	M401938	Screw	
2	H83055111	Switch with Lever	
3	H88512561	Lockwasher	
4	H885410030	Nut	
5	H96418694	Air Flow Vane	
6	02470	Cotter Pin	

Parts Index

A

Actuator	
H96388061	35
M409976	13
Actuator Arm	
H96387501	35
Air Flow Light	
H96422522	5
Air Flow Vane	
H96418694	39

B

Base for Fan Shaft	
H96427687	27
Bearing Flangette	
H96382080	35
Bearing Insert	
H8768212H	27
H96382098	35
Belt	
H8753170H	27
H87533014	19
H87533816P	19
Bolt	
H88001565	19
Bracket	
H96388145	35
H96428693	23, 27
M410275	33
Burner Orifice	
H8900071H	31
H8900077H	31
H8900083H	31
M410999	31
M411536	31
Burner Wire Set	
M410259	33
Bushing	
H87529111	25, 27
H87529160	25
H87529210	27
H8752985H	19
H96372073	31
Buzzer	
H83663070	37

C

Chain	
H96388186	35
Clamp	
M411614	31
Connecting Link	
H96382072	35
Control Transformer	
H83904615	37

Control Trim	
M410291	13
Cool Down Light	
H96422506	5
Cooling Timer	
M410900P	7
M410902P	7
Cotter Pin	
02470	39
Counterweight	
H96388038	35
Cover	
H96358007	27
Cylinder	
H96427513	29
M409659	29
M409788	29
Cylinder and Shaft Assembly	
H96420013	29
M409708	29
M409789	29
Cylinder Drive Motor	
H8371044H	23
H8371047H	23

D

Damper and Hinge	
M409967	27
Damper Drive Wheel	
H96388178	35
Damper Link	
H96388012	35
Damper Shaft	
H96388079	35
Door Assembly	
M410289	15
M410290	15
Door Catch	
M401223	13
Door Gasket	
M96409156	15
Door Glass	
M409899	15
Door Glass Seal	
M409900	15
Door Handle	
M400133	15
Door Strike Screw	
M400661	15
Door Switch	
H96422241	13
Drive Guard Cover	
H96427711	17
Drive Guard Side	
H96358866	17
96427729	17
Drive Guard Top	
H96359054	17

Drive Sheave	
H87520334	23
H87520466	23
Drying Timer	
M410901P	7
M410903P	7

E

Elbow	
H86050036	31
H86050044	31
Eye Bolt	
M411337	19, 27

F

Fan	
H96358320	25, 27
Fan Contactor	
H8300830H	37
H96422233	37
Fan Cover	
H96358007	25
Fan Motor	
H8372018H	27
Fan Shaft	
H96428636	27
Filter	
H96382196	35
Flame Sensor	
M401209	33
Flangette	
H8768302H	27
Flash Shield	
M409901	33
Front Panel	
H96427588	13
M410268	13
M410269	13
Fuse	
H83900332	37
Fuse Holder	
H83900050	37

G

Gas Valve	
H8526918H	31
Graphics Plate	
M410267	9
M410330	9

H

Hinge Mounting Screw	
H88129785	15
M400044	15
Hinge Pin	
M410029	13

Housing Cover	
H96388004	35
Hub for Motor Sheave	
H87529111	25

I

Ignition Control	
H8900657H	31
H8900658H	31
Ignition Transformer	
H83904664	37
Inlet Pipe	
H96378021	31
Insulation	
H96422092	13
Insulator	
H96418728	13
M406144	7

J

Jackshaft Assembly	
H96357751	19

K

Key	
H8752006H	23, 25, 27
Knurled Nut	
24205	9

L

Light	
M400704	7, 9
Lint Panel	
H96428511	11
H96428735	11
Lint Screen	
H96422027	17
M409652	17
Lint Screen Frame	
H96422191	17
M409717	17
Locknut	
M409368	37
Lockwasher	
H88511118	21, 23
H88512561	13, 39
M400014	19, 21, 23
02432	25
91176	9
Lower Door Hinge	
M410030	15
Lower Panel Hinge	
M410042	13

M

Main Burner Assembly	
H96372008	33
M409739	33
Manifold Pipe	
H96372065	31
Motor Base	
H96428461	23, 27
Motor Bracket	
H96357603	25
Motor Sheave	
H87520284	25
Motors	
H83720185	25
H8372019H	25
Mounting Bracket	
H96425008	21

N

Nipple	
H85101210	31
H85101251	31
H85101624	31
H85101657	31
Nut	
H88410030	13
H88412093	21, 23
H885410030	39
M400025	15
M404993	19, 23, 29
20274	17, 19, 21, 23
23951	11
70054	15
70142	25
Nylon Washer	
H88569108	11, 13

O

Overload Relay	
H8300105H	37
H8300107H	37
H96422605	37

P

Pillow Block Bearing	
H87620026H	27
Pilot and Electrode Assembly	
H89000921	33
M410183	33
Pilot Orifice	
H8900079H	33
Q8152	33
Pilot Shield	
H96377510	33
Pilot Tube	
M409736	31, 33

Push-to-Start Label	
M409828	5
Push-to-Start Switch	
M400954	7

R

Ready Light	
H96422506	5
Relay	
M400908	7
Resistor	
M410992	7
Retainer Ring	
H88602263	19
H88603477	19
Reversing Contactor	
H8300831H	37
Reversing Switch	
H96422431	5
M400945	5
Reversing Timer	
H96422399	37
Reversing/Nonreversing Switch	
M413270	9
Rib Rod	
H88301411	29
Roller Catch	
H87020202	11
Rubber Trim	
H81224511P	11

S

Screw	
H83213574	25
H88001565	23
H88110267	13
H88111703	17, 21
H8811414H	33
H88129788	13
H88213574	31
H88213707	11, 13
H88213996	21
H88214515	25
M400044	11
M400071	7
M400072	7, 13
M400664	7, 33
M401902	11, 17
M401938	39
M405188	17
M409385	15
M411052	7
Q6695	33
02937	31
20255	19, 23
22688	21, 23
51780	7
81122	25
Sensor Wire	
H85289114	33

Sheave	
H87520284	27
H87520334	27
H8752251N	19
Shut-off Valve	
M411613	31
Snap Bushing	
M405340	33
Speed Nut	
H8841927H	31, 33
Steam Coil	
H96382023	35
Steam Solenoid Valve	
M411689	35
Step Pulley	
H96428024	19
Step Pulley Bearings	
H87672184	19
H87672374	19
Switch with Lever	
H83055111	39

T

Taper Bushing	
H87529111	23
H87529129	23
Temperature Knob	
M400777	9
Temperature Switch	
27762	9
Terminal Bracket	
M400000	7
Terminal Strip	
H83103416	37
Thermostat Stove High Limit	
H89005169	33
Thermostats	
H89005227	25, 27
H89005235	25, 27
H89005243	25, 27
H8900530H	25, 27
H8900531H	25, 27
Three Cycle Timer	
H96402318	5
H96402334	5
Time Delay Relay	
H83005314	37
Timer Bracket	
M410274	7
Timer Graphics Plate	
M410266	7
Timer Knob	
H83901157	5
M400773	7
Timer Label	
M409749	5
Top Access Panel	
H96388194	11
H96428073	11
H96428594	11
H964428677	11
Trunnion Assembly	
H96357744	29

Trunnion Bearing	
H8762544H	21
Tube	
H87428479	27
H96428479	19, 23
Tubing Nut	
M400927	31, 33

U

Union	
M411419	31
Upper Door Hinge	
M410031	15
Upper Panel Hinge	
M410041	13

W

Warning Label	
M409312	13
M410892	13
Washer	
M400014	17
M400080	19, 23
M400081	21
M400671	15
Wire Set	
M409759	13