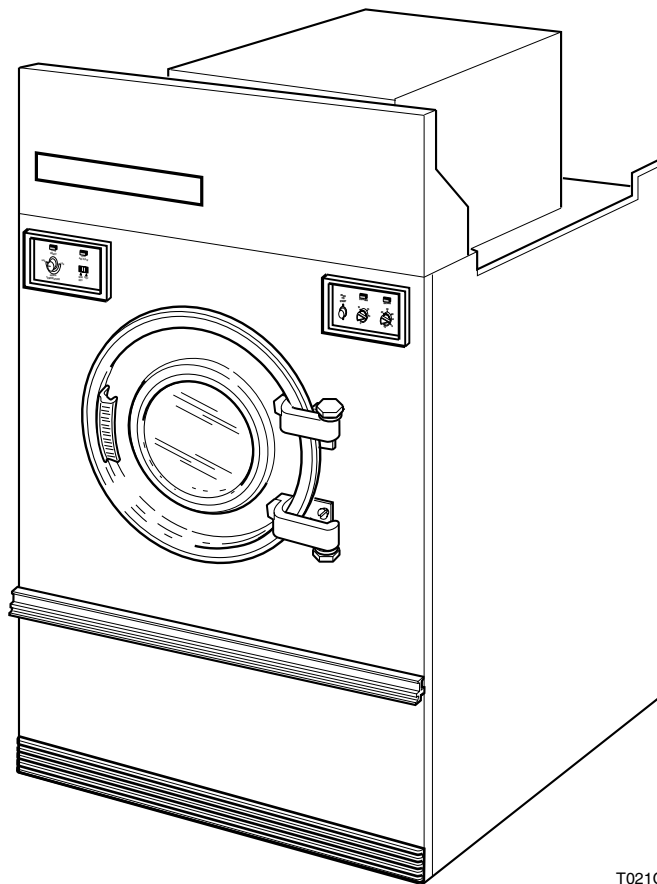


Drying Tumblers

120 Pound Capacity

Refer to Page 3 for Model Numbers



T021C

Table of Contents

Title	Page
Parts Ordering Information	2
Nameplate Location	2
Model Identification	3
Dual Timer Controls	4
Temperature Controls	6
Access and Lint Panels	8
Front Panel	10
Door Assembly	12
Vent Pipe and Elbow	14
Lint Screen and Drive Guard	16
Drive Sheave, Step Pulley and Belts	18
Trunnion Bearings	20
Cylinder Drive Motor	22
Fan and Motor Assembly	24
Fan and Motor Assembly	26
Cylinder and Trunnion Shaft	28
Gas Burner Unit	30
Steam Heating Unit	32
Reversing Control	34
Air Flow Switch Assembly	36
Wire Harnesses	38
Burner Orifices	38
Parts Index	39

© Copyright 2000, Alliance Laundry Systems LLC

All rights reserved. No part of the contents of this book may be reproduced or transmitted in any form or by any means without the expressed written consent of the publisher.

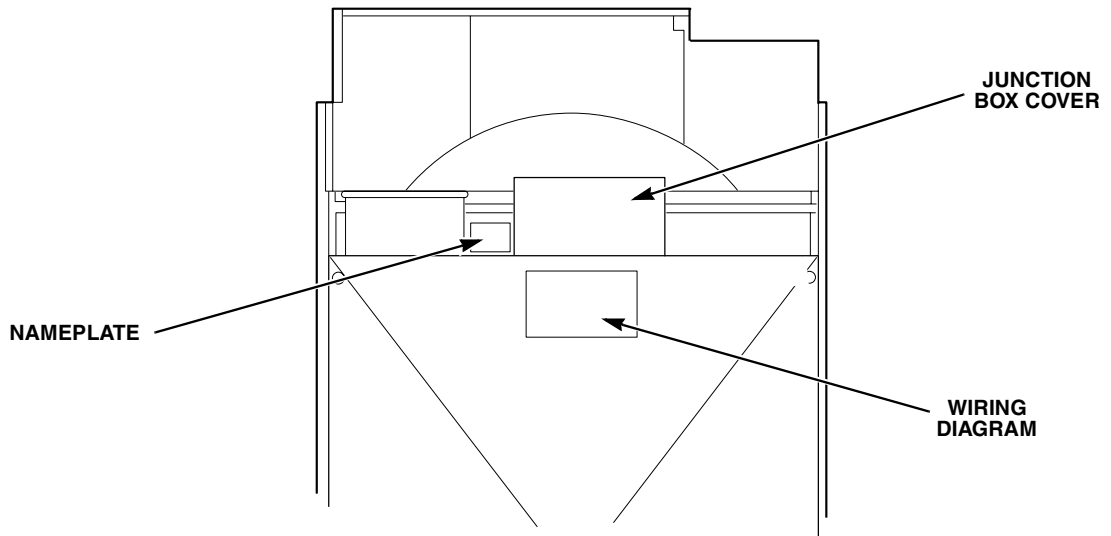
Parts Ordering Information

If literature or replacement parts are required, contact the source from whom the machine was purchased or contact Alliance Laundry Systems at (920) 748-3950 for the name and address of the nearest authorized parts distributor.

For technical assistance, call (920) 748-3121.

Nameplate Location

When calling or writing about your product, be sure to mention model and serial numbers. Model and serial numbers are located on nameplate(s) as shown.

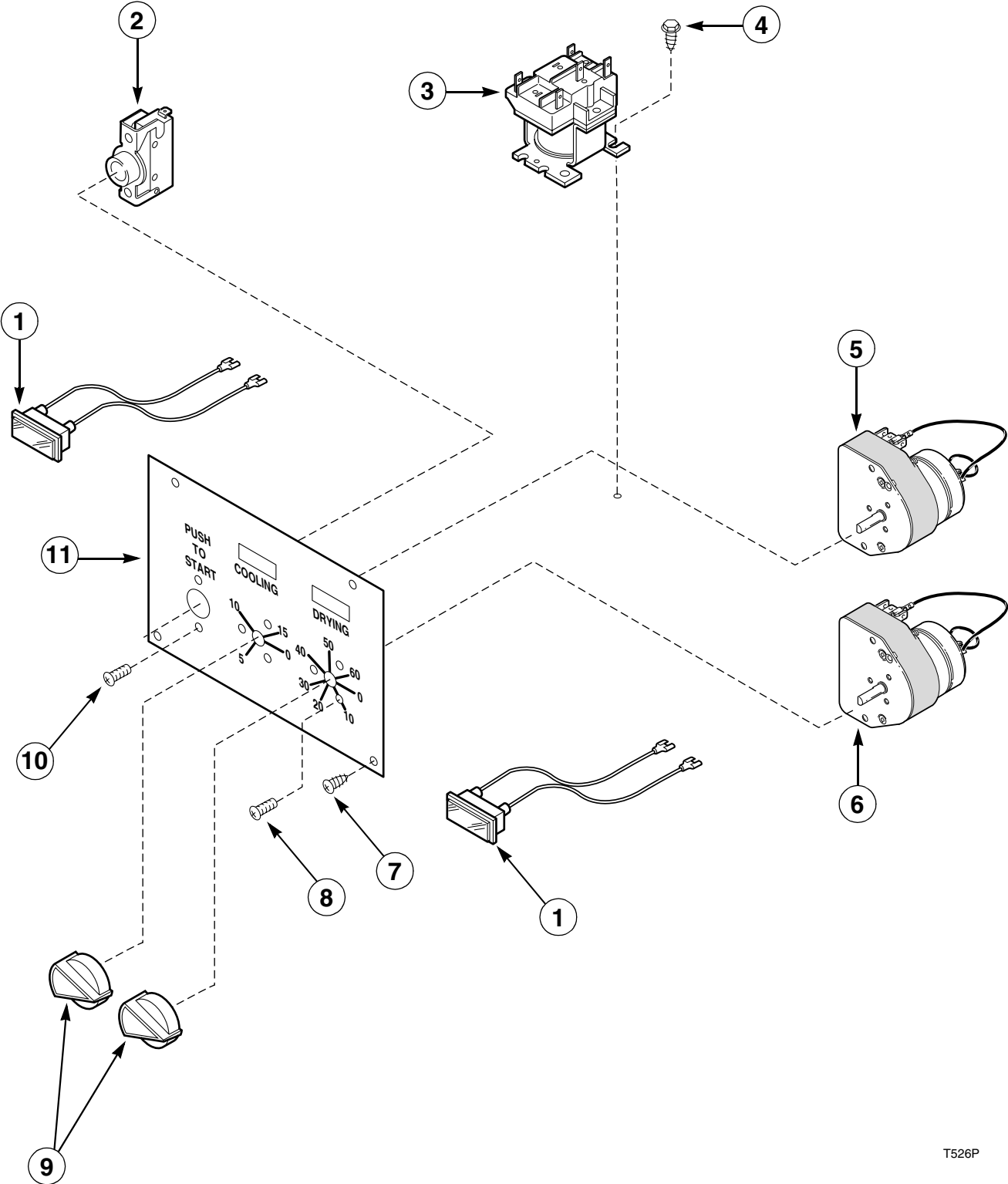


Model Identification

Information in this manual is applicable to these drying tumblers:

JT120FG JT120CSH

Dual Timer Controls

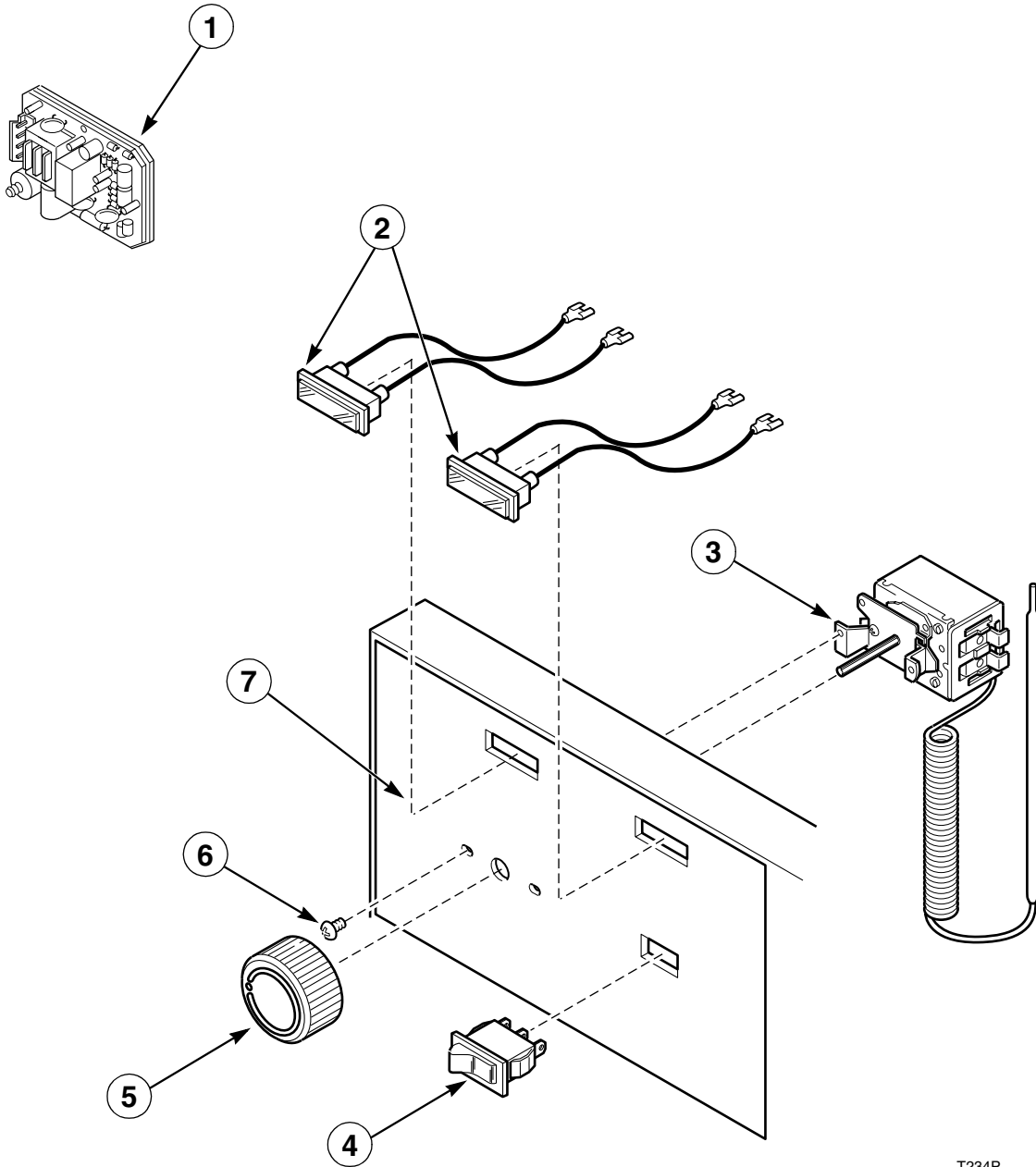


T526P

Dual Timer Controls

REF	PART NO.	DESCRIPTION	COMMENTS
1	M400703	Light	60 Hertz
	M400704	Light	50 Hertz
2	M400954	Push-To-Start Switch,	
3	M400912	Relay	60 Hertz
	M400911	Relay	50 Hertz
4	51780	Screw	
5	M410900P	Cooling Timer	60 Hertz; 15 minute
	M410902P	Cooling Timer	50 Hertz; 15 minute
6	M410901P	Drying Timer	60 Hertz; 60 minute
	M410903P	Drying Timer	50 Hertz; 60 minute
7	H88213707	Screw	
8	M411052	Screw	
9	M410927	Timer Knob	
10	M400072	Screw	
11	M411577	Timer Graphics Panel	Cocoa

Temperature Controls

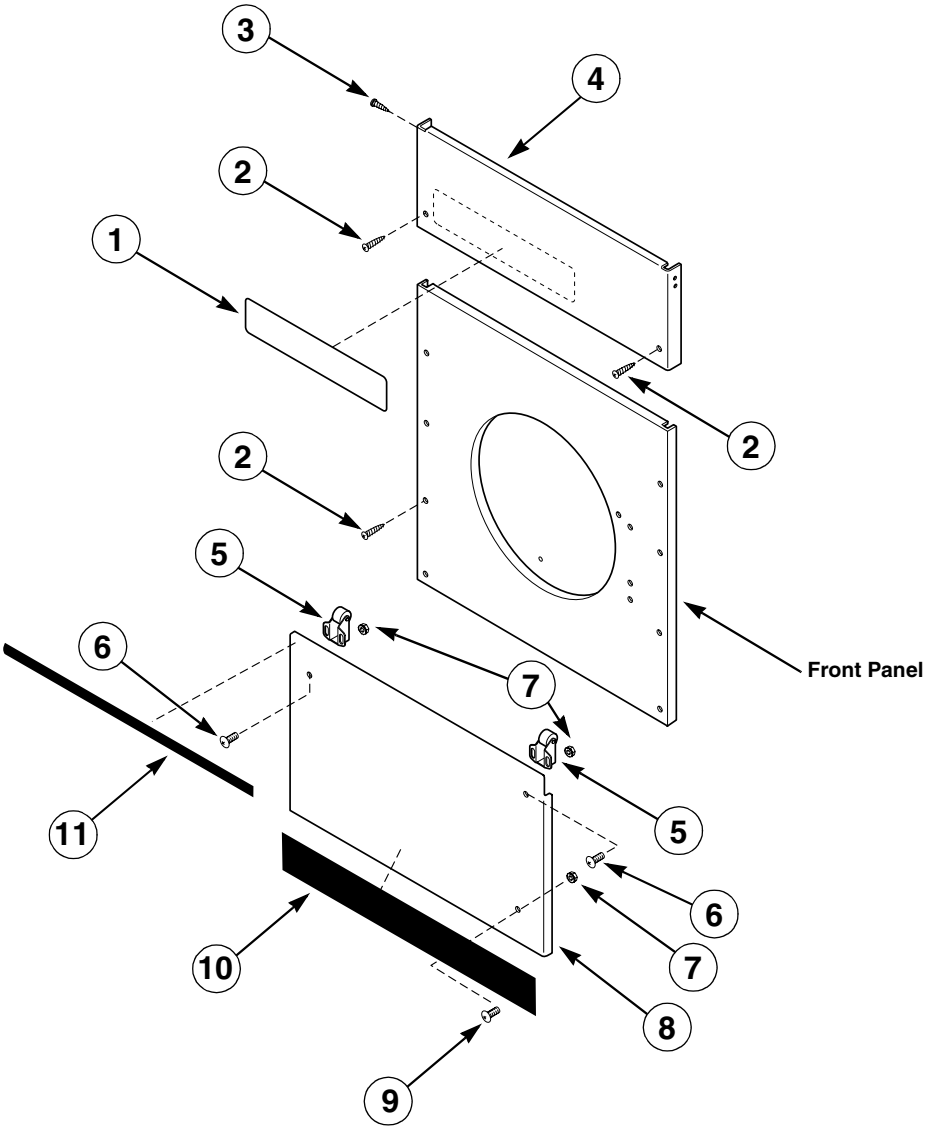


T234P

Temperature Controls

REF	PART NO.	DESCRIPTION	COMMENTS
	91024	Fuse Holder	
	430836	Fuse	
	430641	Terminal Block	
	500823	Signal Buzzer	60 Hertz
	500730	Signal Buzzer	50 Hertz
1	M406789	Instant Electronic Ignition Control	60 Hertz
	M411282	Instant Electronic Ignition Control	50 Hertz
2	M400703	Light	60 Hertz
	M400704	Light	50 Hertz
3	M411333	Thermostat	
4	H96422431	Reversing/Nonreversing Switch	
5	M411345	Temperature Knob	
6	430497	Screw	
7	M411574	Graphics Plate	

Access and Lint Panels



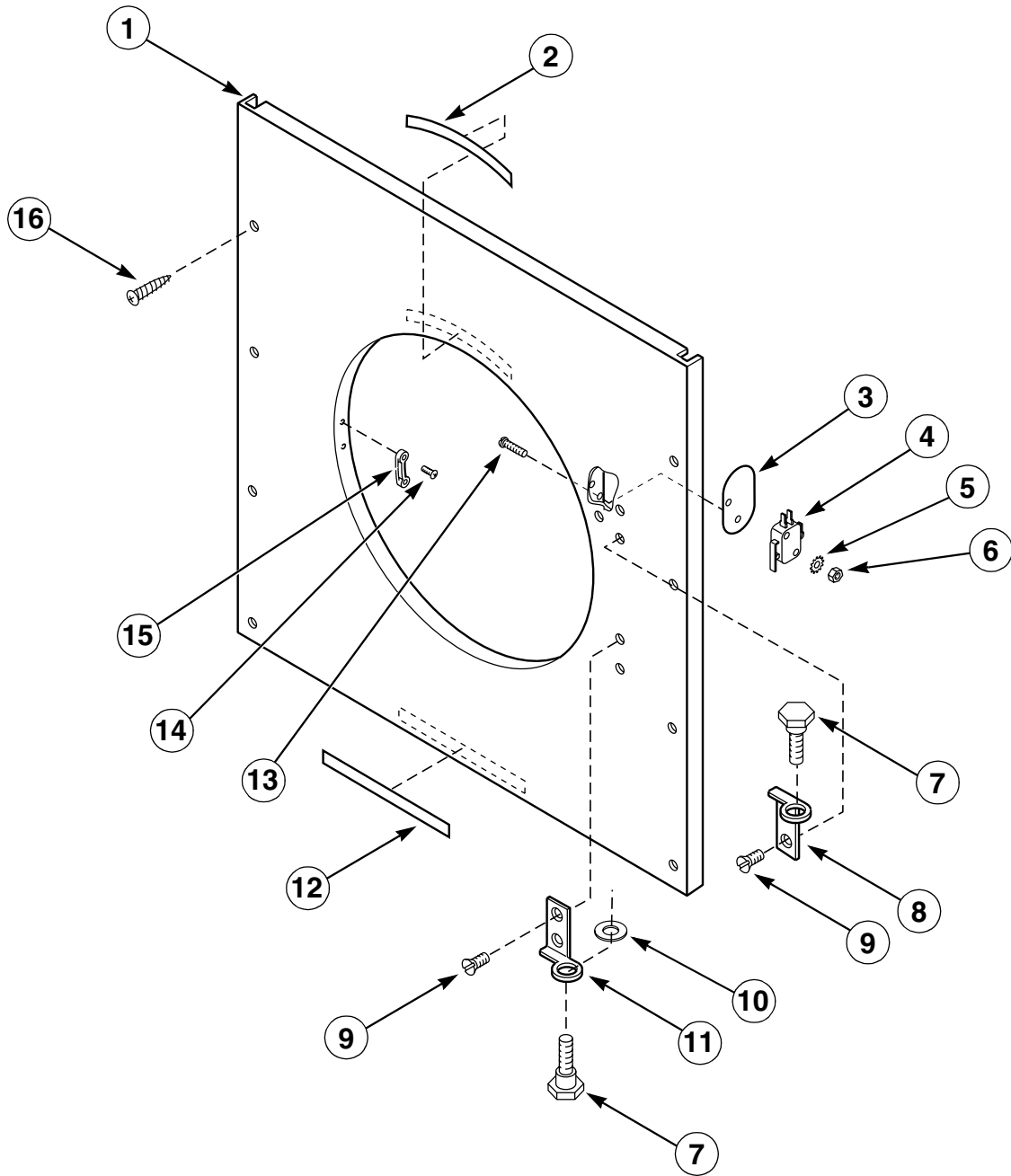
T527P

Access and Lint Panels

REF	PART NO.	DESCRIPTION	COMMENTS
	430757	Screws	6 required; Not included with M411559
1	M411562	Nameplate	
2	H88213707	Screw	
3	M401902	Screw	
4	M411348*	Top Access Panel	Painted
	M411349	Top Access Panel	Stainless Steel
5	H87020202	Roller Catch	
6	M400044	Screw	
7	23951	Nut	
8	M411453*	Lint Panel	Painted
	M411454	Lint Panel	Stainless Steel
9	431027	Screw	
10	M411443	Kickplate	
11	M411559	Bumper	Cocoa

* Add letter to designate color: L - Almond W - White V - Orange K - Red
 B - Battina Green H - Harvest Gold X - Electric Blue P - Turquoise

Front Panel



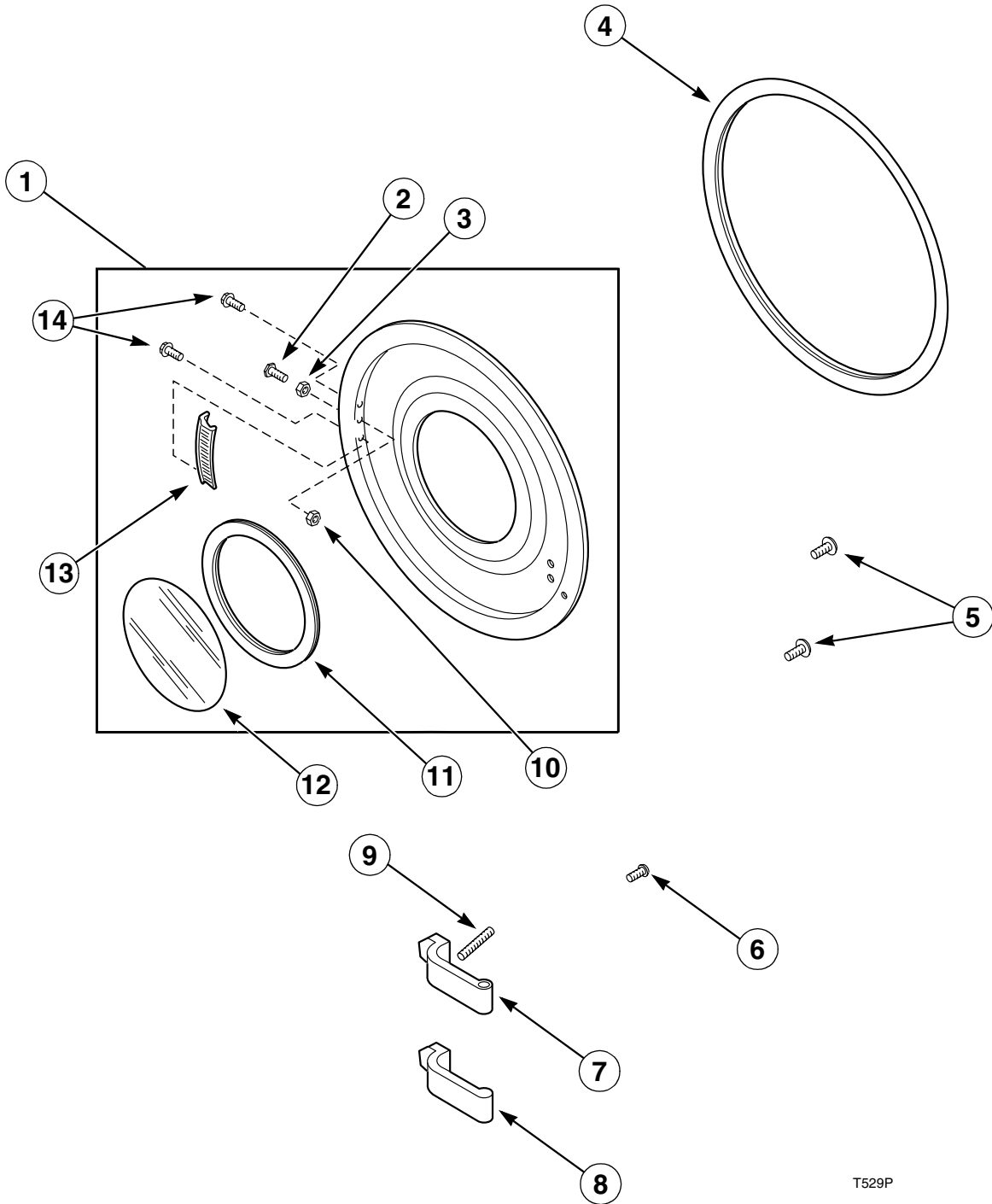
T528P

Front Panel

REF	PART NO.	DESCRIPTION	COMMENTS
	M411289	Wire Harness	For door switch
1	M411383*	Front Panel	Painted
	M411384	Front Panel	Stainless steel
2	M410892	Warning Label	
3	H96418728	Insulator	
4	H96422241	Door Switch	
5	H88512561	Lockwasher	
6	H88410030	Nut	
7	M410029	Hinge Pin	
8	M410041	Upper Panel Hinge	
9	H88129788	Screw	
10	M400671	Washer	
11	M410042	Lower Panel Hinge	
12	M409312	Warning Label	
13	H88110267	Screw	
14	M400072	Screw	
15	M401223	Door Catch	
16	H88213707	Screw	

* Add letter to designate color: L - Almond W - White V - Orange K - Red
 B - Battina Green H - Harvest Gold X - Electric Blue P - Turquoise

Door Assembly



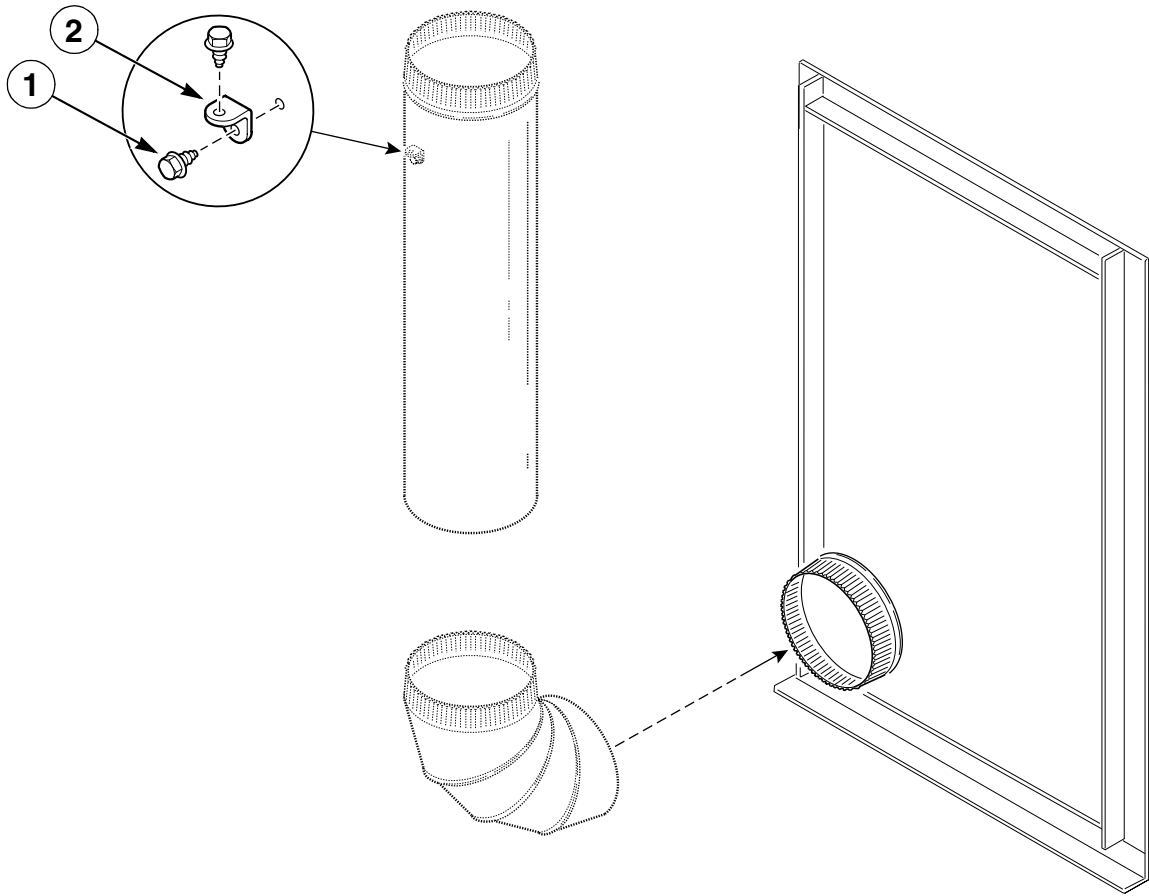
T529P

Door Assembly

REF	PART NO.	DESCRIPTION	COMMENTS
1	M410289*	Door Assembly	Painted
	M410290	Door Assembly	Stainless steel
2	M400661	Door Strike Screw	Not included with door assembly
3	Q6163	Nut	Not included with door assembly
4	H96409156	Door Gasket	Not included with door assembly
5	H88129648	Screw Hinge Mounting	Not included with door assembly
6	M400044	Screw Hinge Mounting	Not included with door assembly
7	M410030	Upper Door Hinge	Not included with door assembly
8	M410031	Lower Door Hinge	Not included with door assembly
9	M409976	Actuator	Not included with door assembly
10	70054	Nut	Not included with door assembly
11	M409900	Door Glass Seal	
12	M409899P	Door Glass and Seal Kit	Includes M409900
13	M400133	Door Handle	
14	M409385	Screw	

* Add letter to designate color: **L - Almond** **W - White** **V - Orange** **K - Red**
 B - Battina Green **H - Harvest Gold** **X - Electric Blue** **P - Turquoise**

Vent Pipe and Elbow

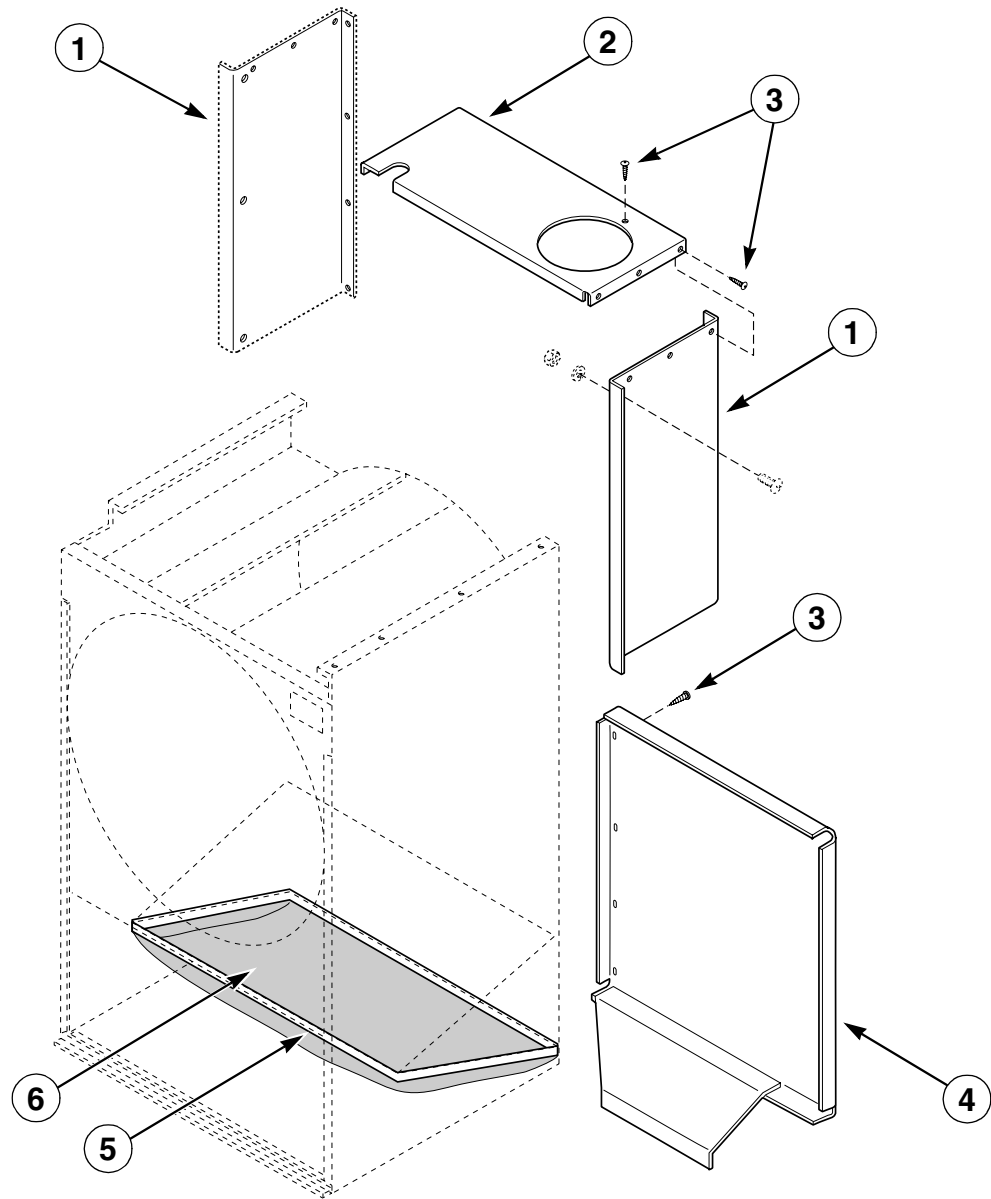


T530P

Vent Pipe and Elbow

REF	PART NO.	DESCRIPTION	COMMENTS
1	M400664	Screw	
2	H96359021	Bracket	

Lint Screen and Drive Guard

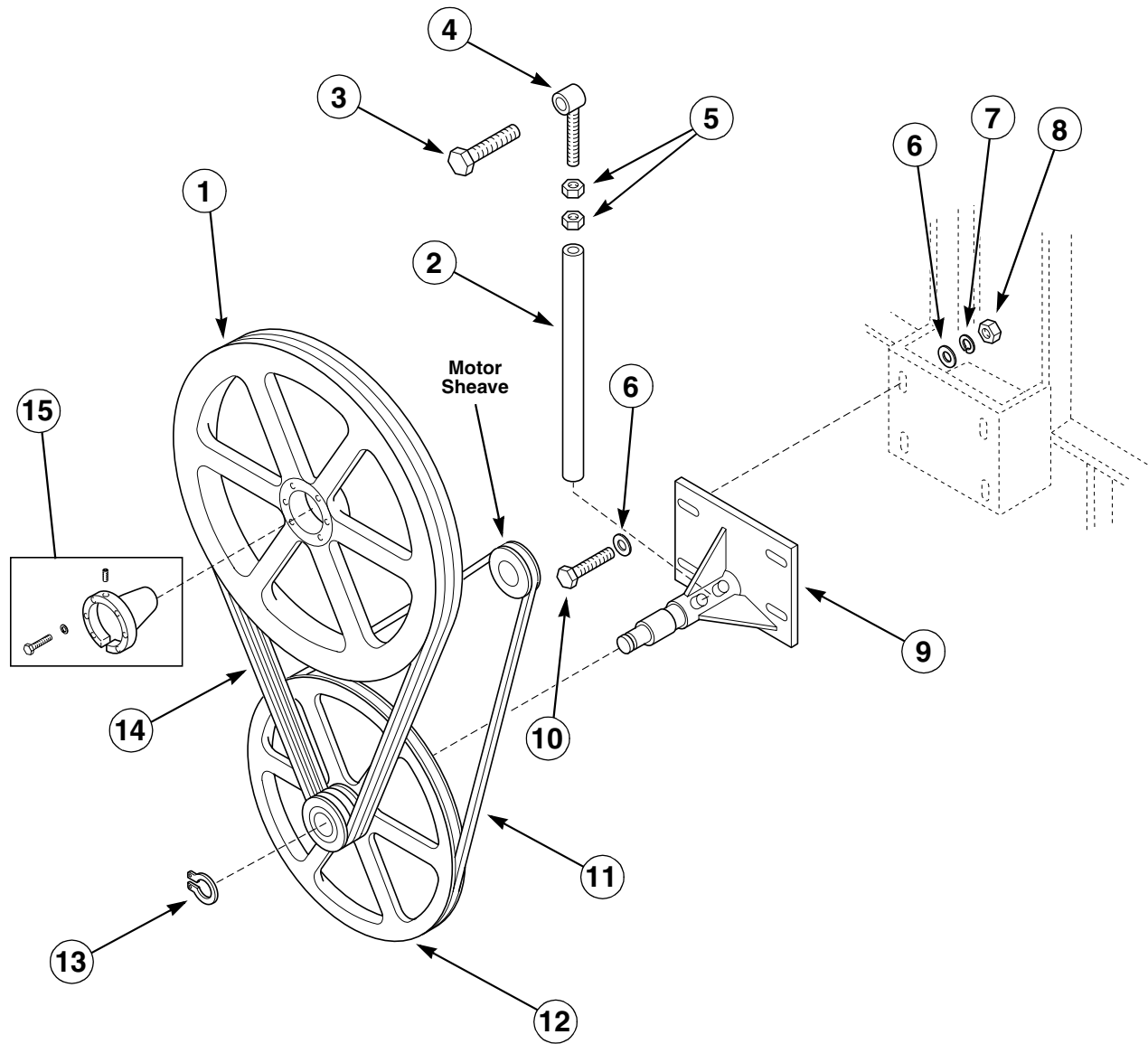


T531P

Lint Screen and Drive Guard

REF	PART NO.	DESCRIPTION	COMMENTS
	M411223	Drive Guard Bottom	
1	M411224	Drive Guard Side	
2	M411222	Drive Guard Top	
3	M400664	Screw	
4	M411221	Drive Guard Cover	
5	M409652	Lint Screen Frame	
6	M409717	Lint Screen	

Drive Sheave, Step Pulley and Belts

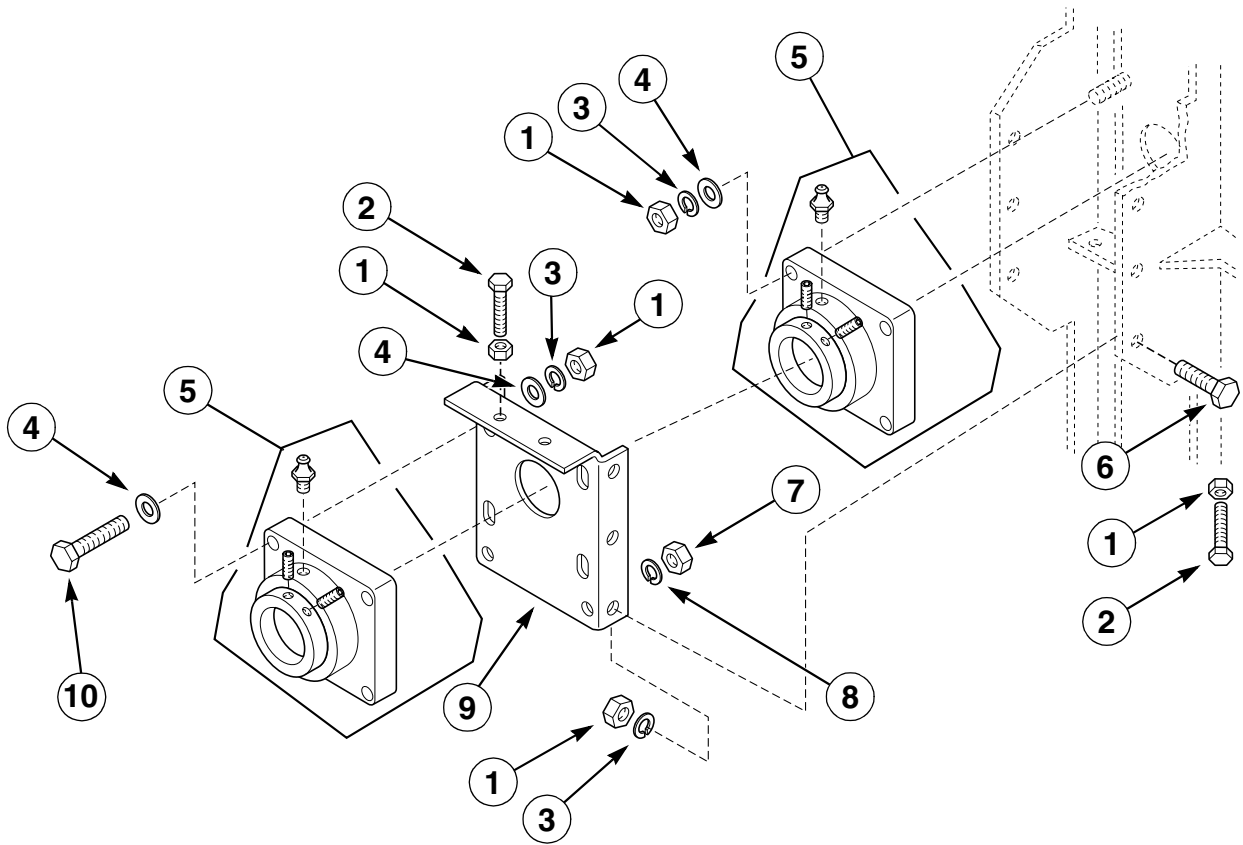


T532P

Drive Sheave, Step Pulley and Belts

REF	PART NO.	DESCRIPTION	COMMENTS
	H87672184	Step Pulley Bearings	Outer
	H87672374	Step Pulley Bearings	Inner
	H88603477	Retainer Ring	2 required
1	H8752251H	Sheave	
2	H96428487	Tube	
3	H88001565	Bolt	
4	M411337	Eyebolt	
5	M404993	Nut	
6	M400080	Washer	
7	M400014	Lockwasher	
8	20274	Nut	
9	H96357751	Jackshaft Assembly	
10	22688	Screw	
11	H87533014	Belt	
12	H96428024	Step Pulley	
13	H88602263	Retainer Ring	
14	H87533816P	Belt	Set of 3
15	H8752985H	Bushing	

Trunnion Bearings

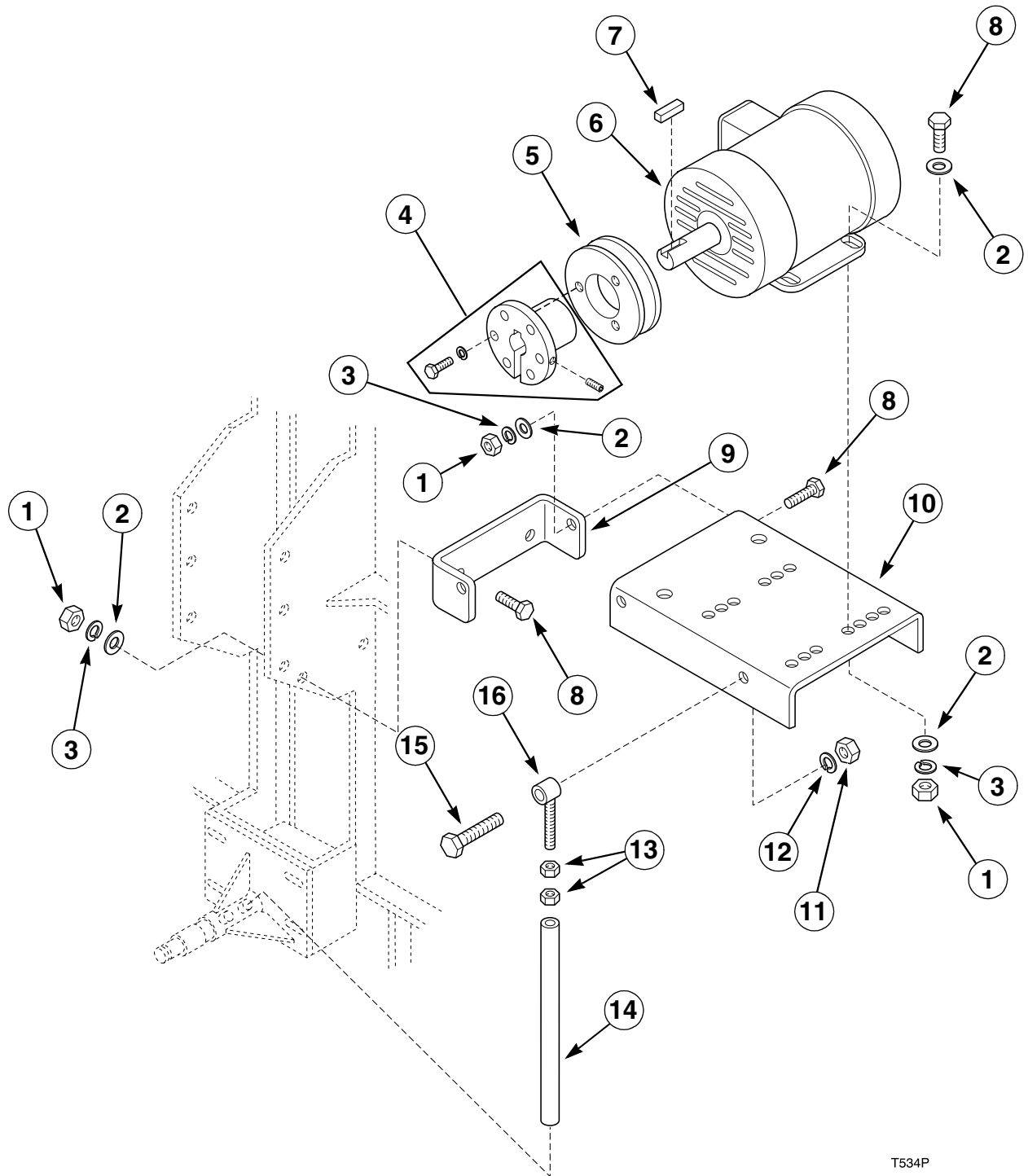


T533P

Trunnion Bearings

REF	PART NO.	DESCRIPTION	COMMENTS
1	20274	Nut	
2	H88213996	Screw	
3	M400014	Lockwasher	
4	M400081	Washer	
5	H87625430	Trunnion Bearing	
6	H88111703	Screw	
7	H88412093	Nut	
8	H88511118	Lockwasher	
9	H96428008	Mounting Bracket	
10	22688	Screw	

Cylinder Drive Motor



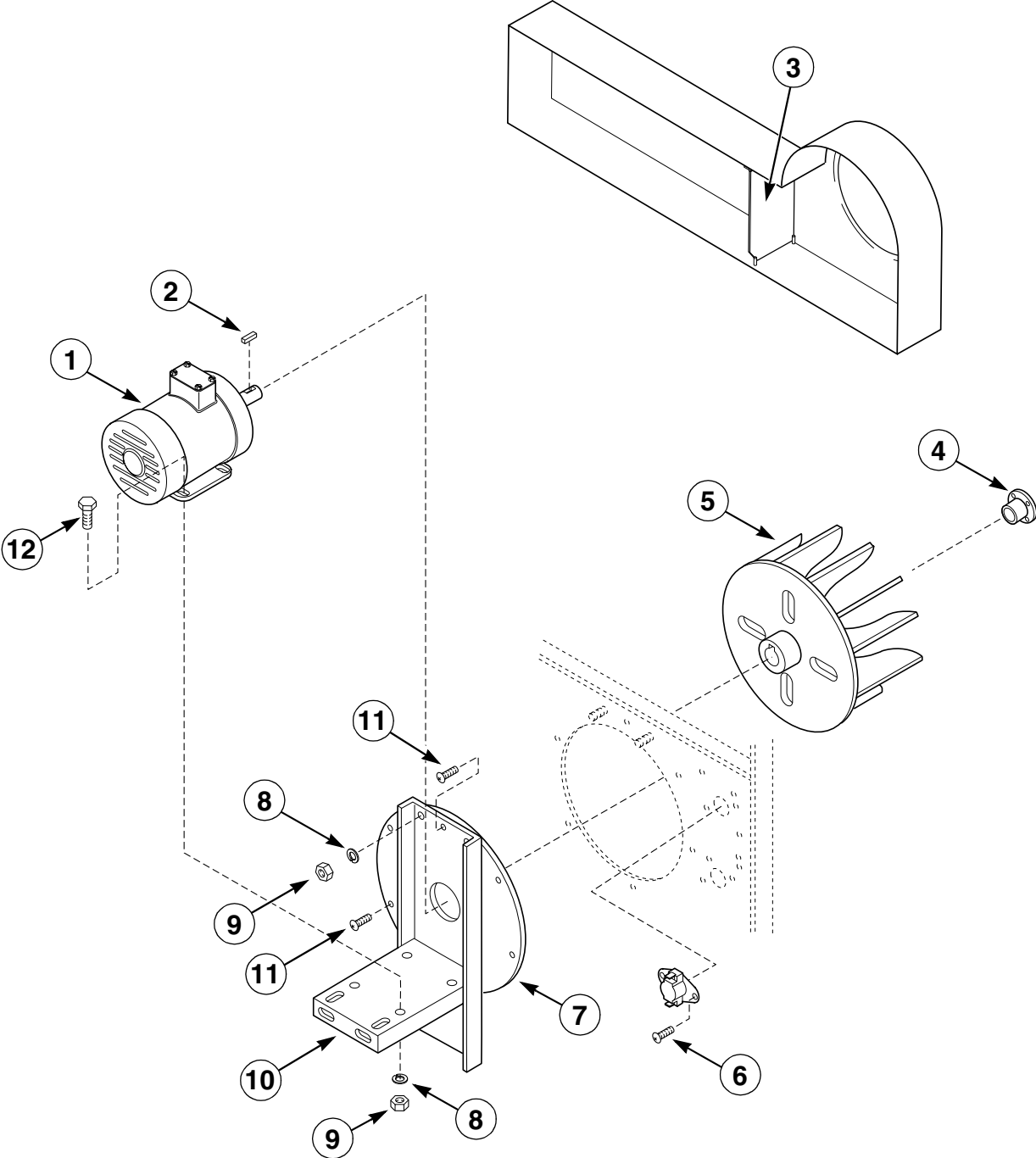
T534P

Cylinder Drive Motor

REF	PART NO.	DESCRIPTION	COMMENTS
1	20274	Nut	
2	M400080	Washer	
3	M400014	Lockwasher	
4	H87529129	Taper Bushing	60 Hertz
	H87529111	Taper Bushing	50 Hertz
5	H87520466	Drive Sheave	60 Hertz
	H87520334	Drive Sheave	50 Hertz
6	M410863	Cylinder Drive Motor	208-240-480 Volt, 60 Hertz, 3 Phase
	M410864	Cylinder Drive Motor	220-380-415 Volt, 50 Hertz, 3 Phase
7	H8752006H	Key	
8	22688	Screw	
9	H96428693	Bracket	
10	H96428461	Motor Base	
11	H88412093	Nut	
12	H88511118	Lockwasher	
13	M404993	Nut	
14	H96428479	Tube	
15	H88001565	Screw	
16	M411337	Eyebolt	

Fan and Motor Assembly

(60 Hertz Models)



T535P

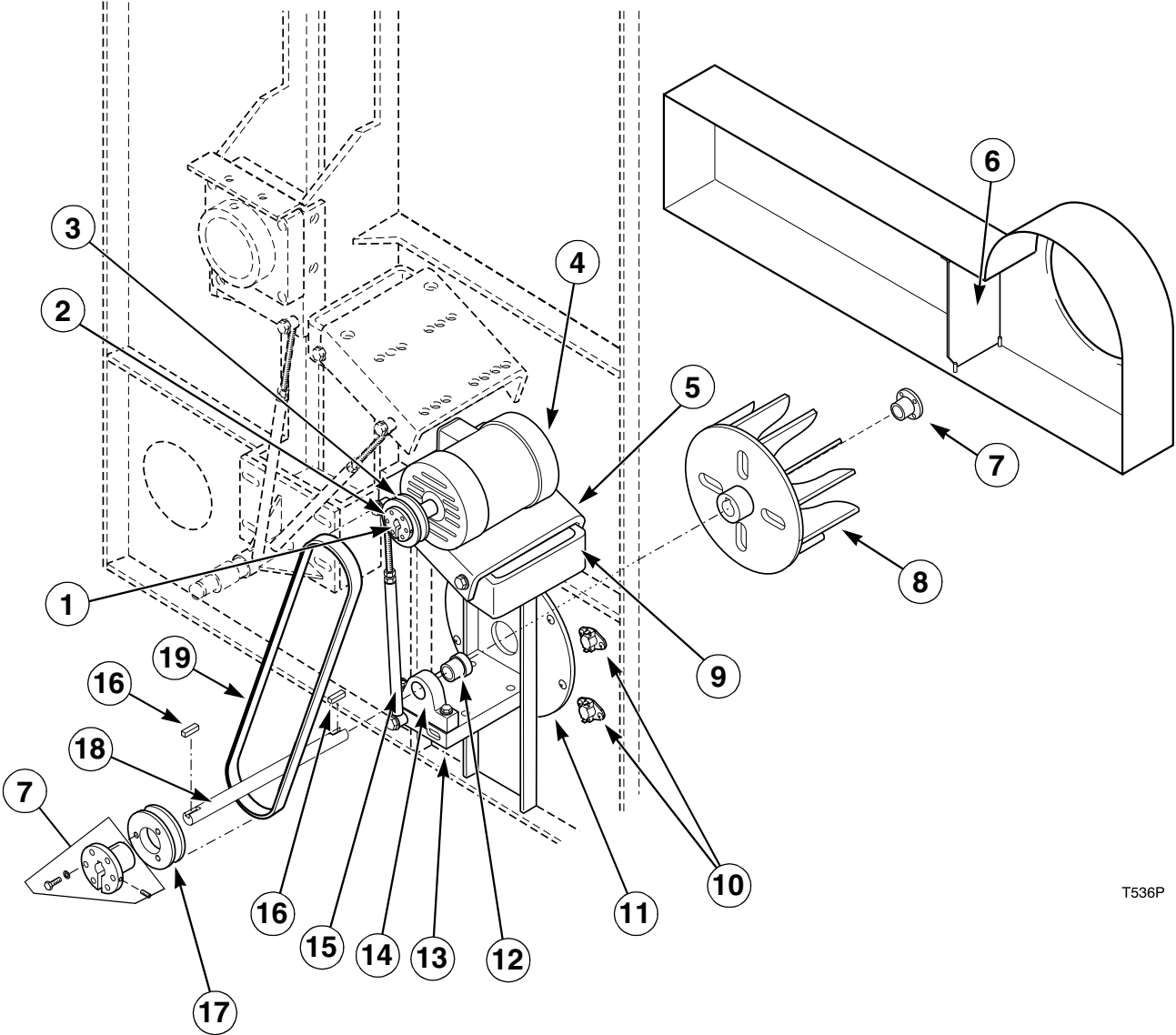
Fan and Motor Assembly

(60 Hertz Models)

REF	PART NO.	DESCRIPTION	COMMENTS
	M411403	Thermostat	High Limit
	H8900530H	Thermostat	Load Ready
1	M410860	Motor	208-230-460 Volt, 60 Hertz, 3 Phase
2	H8752006H	Key	
3	M409967	Damper and Hinge	
4	H87529111	Bushing	
5	H96358320	Fan	
6	H88214515	Screw	
7	H96358007	Fan Cover	
8	02432	Lockwasher	
9	70142	Nut	
10	H96357603	Motor Bracket	
11	H88213574	Screw	
12	81122	Screw	

Fan and Motor Assembly

(50 Hertz Models)



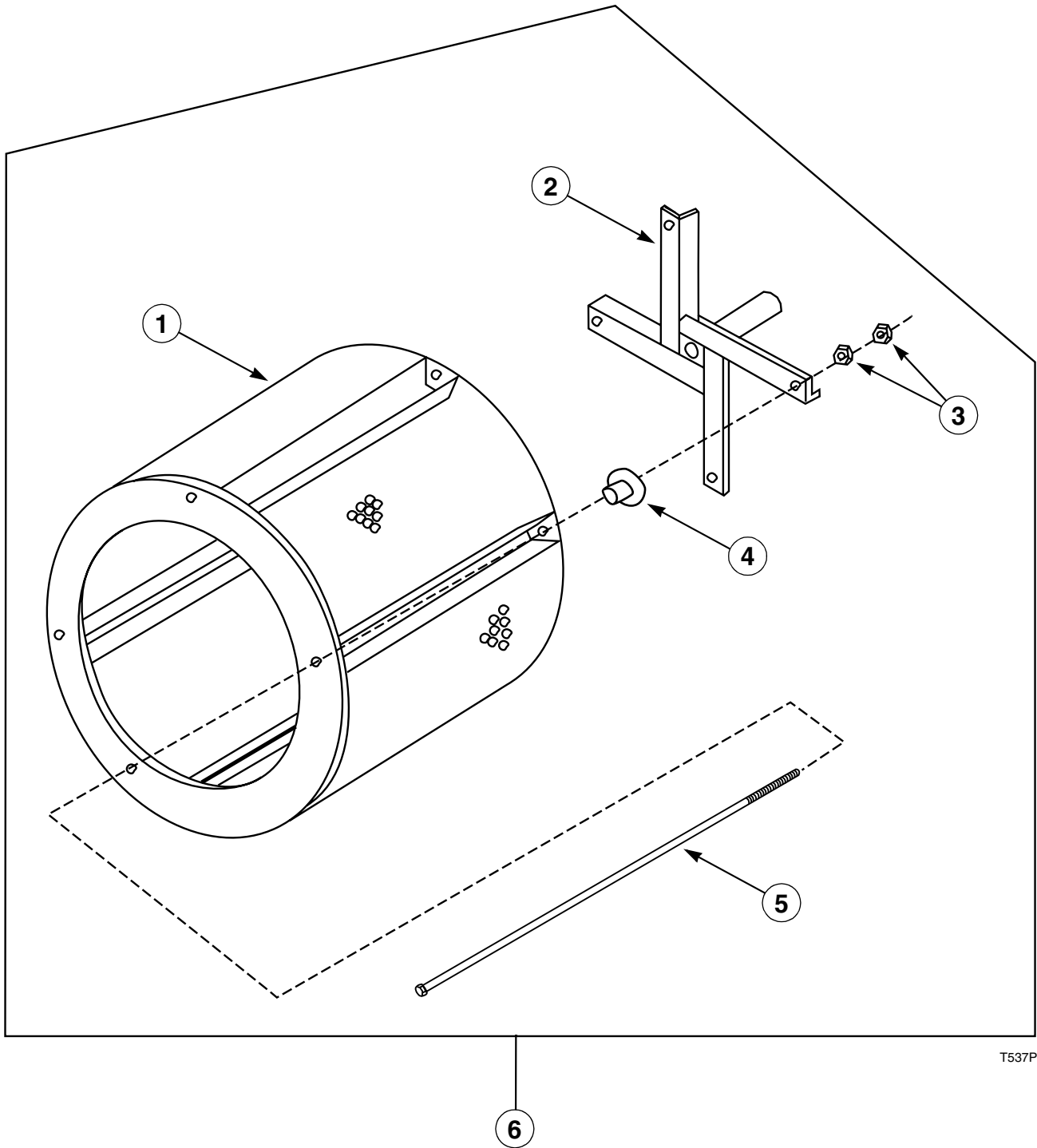
T536P

Fan and Motor Assembly

(50 Hertz Models)

REF	PART NO.	DESCRIPTION	COMMENTS
	H8768302H	Flangette	2 required
1	M411337	Eyebolt	
2	H87529111	Bushing	
3	H87520334	Sheave	
4	M410861	Fan Motor	220-380-415 Volt, 50 Hertz, 3 Phase
5	H96428461	Motor Base	
6	M409967	Damper and Hinge	
7	H87529210	Bushing	
8	H96358320	Fan	
9	H96428693	Bracket	
10	M411551	Thermostat	High Limit
	H8900530H	Thermostat	Load Ready
11	H96358007	Cover	
12	H8768212H	Bearing Insert	
13	H96427687	Base for Fan Shaft	
14	H8762002H	Pillow Block Bearing	
15	H96428479	Tube	
16	H8752006H	Key	
17	H87520284	Sheave	
18	H96428636	Fan Shaft	
19	H87531501	Belt	

Cylinder and Trunnion Shaft

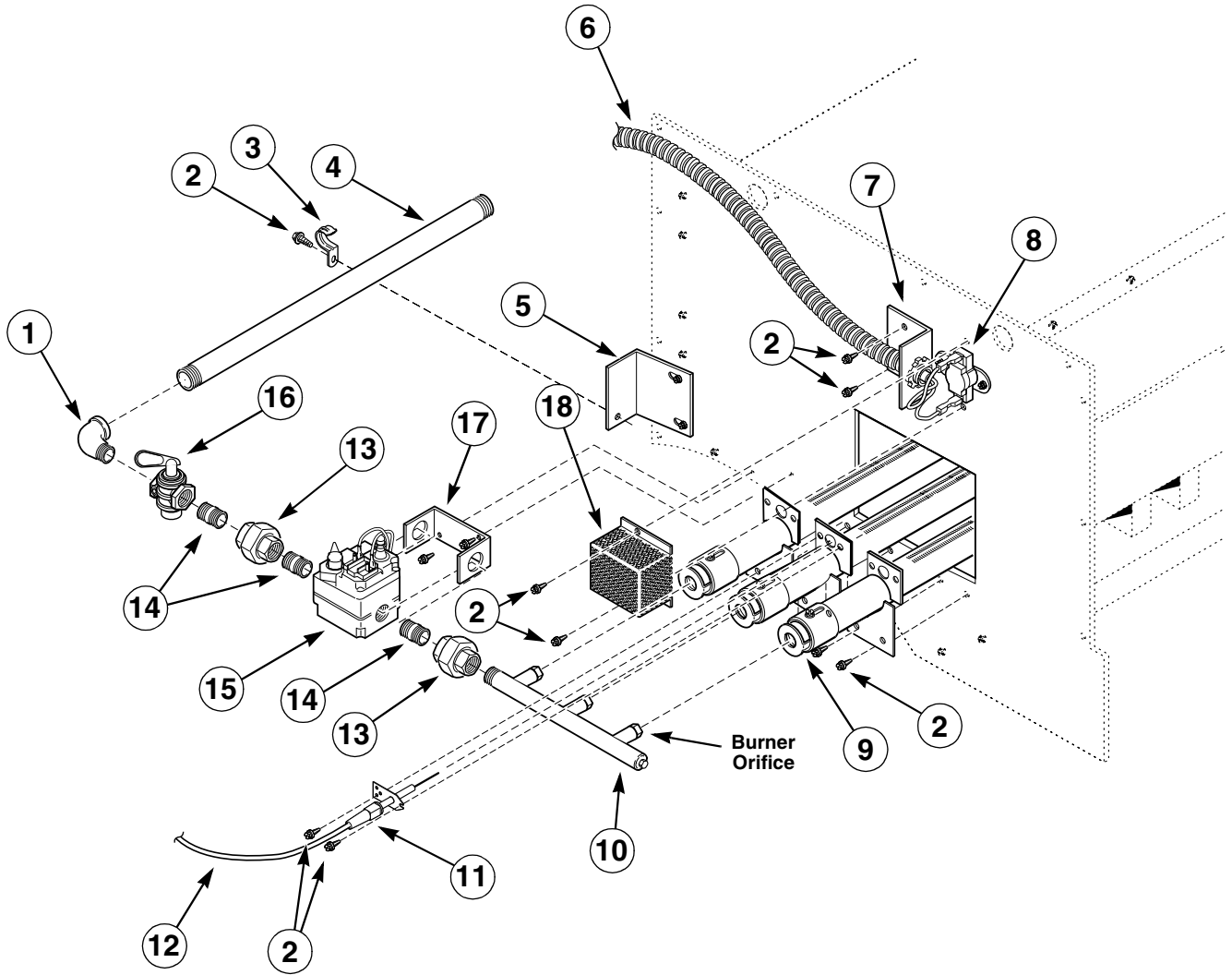


T537P

Cylinder and Trunnion Shaft

REF	PART NO.	DESCRIPTION	COMMENTS
1	H96427513	Cylinder	Galvanized
	M409788	Cylinder	Stainless Steel
	M409659	Cylinder	Poly Coated
2	H96357744	Trunnion Assembly	
3	M404993	Nut	
4	M401402	Spacer	
5	H88301411	Rib Rod	
6	H96420013	Cylinder and Shaft Assembly	Galvanized
	M409789	Cylinder and Shaft Assembly	Stainless Steel
	M409708	Cylinder and Shaft Assembly	Poly Coated

Gas Burner Unit

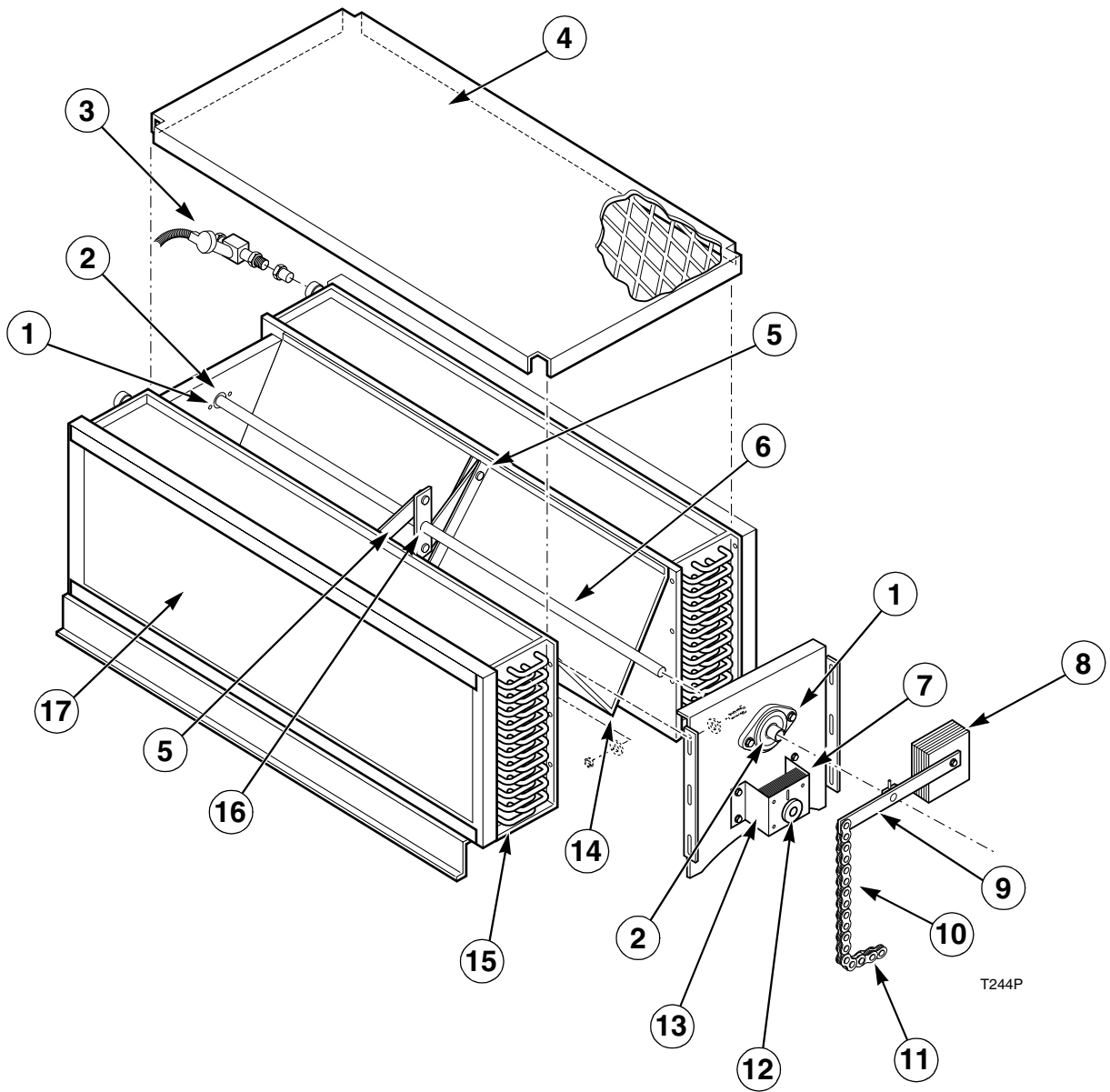


T268P

Gas Burner Unit

REF	PART NO.	DESCRIPTION	COMMENTS
	M4573P3	Conversion Kit	60 Hertz; Natural to L.P. (Liquefied Petroleum) Gas
	M4577P3	Conversion Kit	50 Hertz; Natural to L.P. Gas
1	M411264	Elbow	
2	430497	Screw	
3	M411614	Clamp	
4	M411265	Gas Pipe	
5	M411261	Bracket	
6	M411295	Wire Harness	
7	431078	Bracket	
8	M411404	Thermostat	60 Hertz; High Limit
	M411552	Thermostat	50 Hertz; High Limit
9	M412025	Burner	3 required
10	M411254	Spud Holder	
11	M406934	Igniter	
12	M411549	High Voltage Lead	
13	M411419	Union	
14	M411417	Nipple	
15	M411281	Gas Valve	60 Hertz; Natural and L.P.
	M411544	Gas Valve	50 Hertz; Natural
	M411621	Gas Valve	50 Hertz; L.P.
16	M411613	Shut-Off Valve	
17	M411259	Bracket	
18	M400845	Cover	

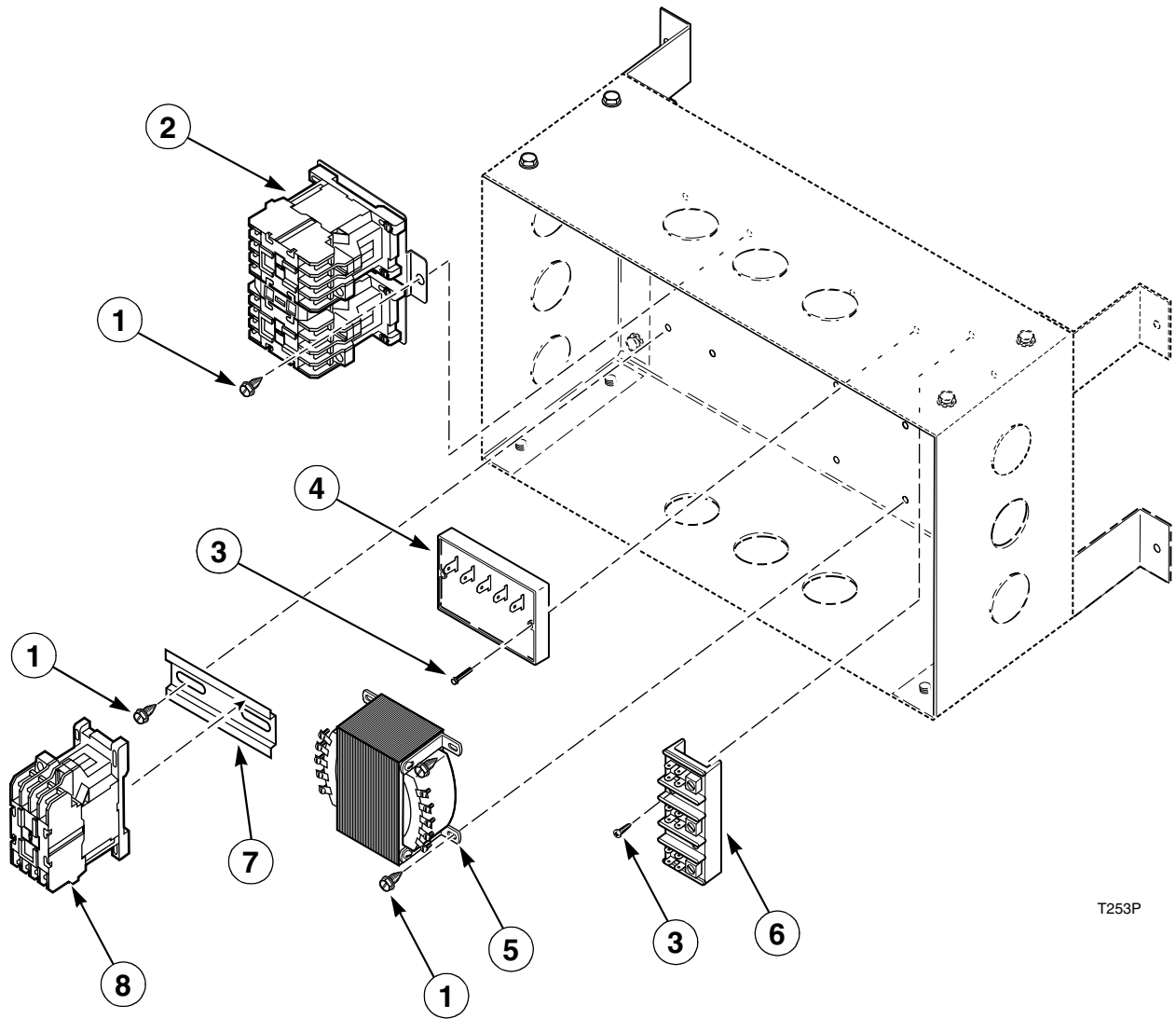
Steam Heating Unit



Steam Heating Unit

REF	PART NO.	DESCRIPTION	COMMENTS
1	H96382080	Bearing Flangette	2 required
2	H96382098	Bearing Insert	
3	M413295	Steam Solenoid Valve	All 60 Hertz
	M413298	Steam Solenoid Valve	All 50 Hertz
	M413299	Coil for Solenoid Valve	120 Volt, 60 Hertz
	M413302	Coil for Solenoid Valve	240 Volt, 50 Hertz
4	H96388004	Housing Cover	
5	H96388012	Damper Link	
6	H96388079	Damper Shaft	
7	85008A	Damper Motor	
8	H96388038	Counterweight	4 required
9	H96387501	Actuator Arm Assembly	
10	H96388186	Chain	
11	H96382072	Connecting Link	
12	H96388178	Damper Drive Wheel	
13	H96388145	Bracket	
14	H96387519	Damper	2 required
15	H96382023	Steam Coil	2 required
16	H96388061	Actuator	
17	H96382106	Filter	2 required

Reversing Control



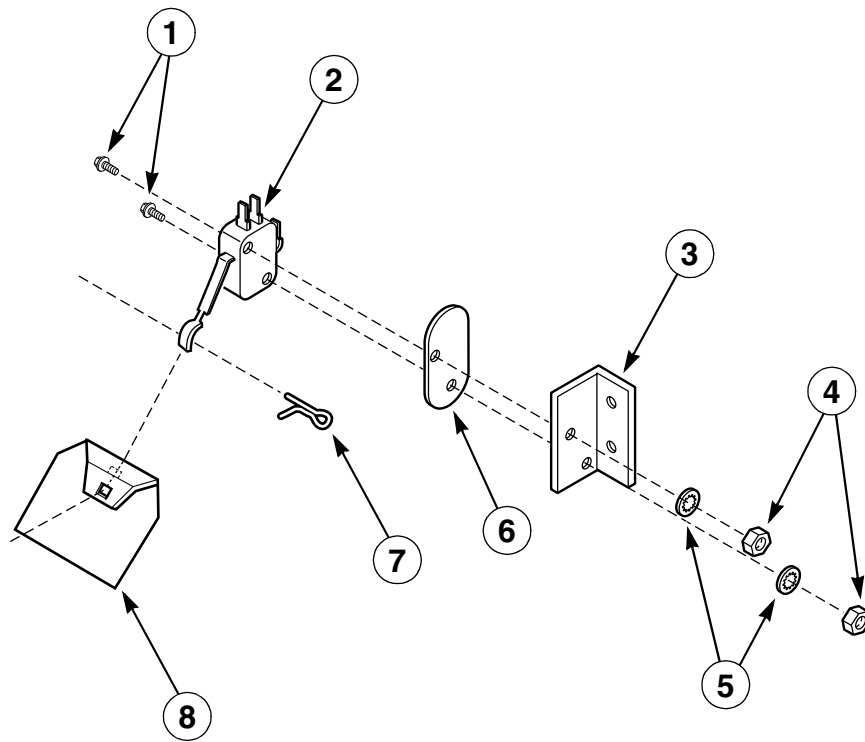
T253P

Reversing Control

REF	PART NO.	DESCRIPTION	COMMENTS
1	33562	Screw	
2	M411269	Reversing Contactor	120 Volt; 60 Hertz
	M410515	Reversing Contactor	240 Volt; 50 Hertz
3	62588	Screw	
4	M411683	Reversing Timer	
5	M401391	Transformer	On 50 Hertz models, transformer is located in temperature control area.
6	M405363	Terminal Block	60 Hertz
	M405364	Terminal Block	50 Hertz
7	M410501	Din Rail	
8	M410529	Fan Contactor	60 Hertz; 4 Pole
	M410457	Fan Contactor	50 Hertz

Air Flow Switch Assembly

(Mounted on Back of Cabinet)



T172P

Air Flow Switch Assembly

(Mounted on Back of Cabinet)

REF	PART NO.	DESCRIPTION	COMMENTS
1	M401938	Screw	
2	H83055111	Switch	10 Amp
3	H96418686	Bracket	
4	H88410030	Hex Nut	
5	51345	Lockwasher	
6	H96418728	Insulation	
7	02470	Cotter Pin	
8	430372	Vane	

Wire Harnesses

PART NO.	DESCRIPTION	GAS	STEAM
M411286	Timer Controls	X	X
M411287	Rear Control Box to Timer	X	X
M411288	Rear Control Box to Front Temperature Control Area	X	X
M411290	Internal Rear Control Box Wiring	X	X
M411291	Air Flow Switch	X	X
M411292	Air Flow Switch to Exhaust High Limit	X	X
M411293	Blower Motor	X	X
M411294	Reversing Drive Motor	X	X
M411295	Stove High Limit Thermostat	X	-
M411296	IEI Igniter Control	X	-
M411637	Steam Damper Motor	-	X
M411699	Steam Solenoid Valve	-	X

Burner Orifices

Gas Type	Altitude (feet)	Orifice	Part No.
Natural Gas	0 – 2,000	No. 12	M411372
	2,001 – 4,000	No. 14	M411371
	4,001 – 6,000	No. 16	M411373
	6,001 – 8,000	No. 17	M411374
	8,001 – 10,000	No. 19	M402995
L.P. (Liquefied Petroleum)	0 – 2,000	No. 33	M401022
	2,001 – 4,000	No. 35	M402487
	4,001 – 6,000	No. 36	M411375
	6,001 – 8,000	No. 38	M411376
	8,001 – 10,000	No. 40	M406361

Parts Index

A

Actuator	
H96388061	33
M409976	13
Actuator Arm Assembly	
H96387501	33
Air Flow Switch	
M411291	38
Air Flow Switch to Exhaust High Limit	
M411292	38

B

Base for Fan Shaft	
H96427687	27
Bearing Flangette	
H96382080	33
Bearing Insert	
H8768212H	27
H96382098	33
Belt	
H8753170H	27
H87533014	19
H87533816P	19
Blower Motor	
M411293	38
Bolt	
H88001565	19
Bracket	
H96359021	15
H96388145	33
H96418686	37
H96428693	23, 27
M411259	31
M411261	31
431078	31
Bumper	
M411559	9
Burner	
M412025	31
Bushing	
H87529111	25, 27
H87529210	27
H8752985H	19

C

Chain	
H96388186	33
Clamp	
M411614	31
Coil for Solenoid Valve	
M413299	33
M413302	33
Connecting Link	
H96382072	33

Conversion Kit	
M4573P3	31
M4577P3	31
Cooling Timer	
M410900P	5
Cotter Pin	
02470	37
Counterweight	
M413331	33
Cover	
H96358007	27
M400845	31
Cylinder	
H96427513	29
M409659	29
M409788	29
Cylinder and Shaft Assembly	
H96420013	29
M409708	29
M409789	29
Cylinder Drive Motor	
M410863	23
M410864	23

D

Damper	
H96387519	33
Damper and Hinge	
M409967	25, 27
Damper Drive Wheel	
H96388178	33
Damper Link	
H96388012	33
Damper Motor	
85008A	33
Damper Shaft	
H96388079	33
Din Rail	
M410501	35
Door Assembly	
M410289	13
M410290	13
Door Catch	
M401223	11
Door Gasket	
H96409156	13
Door Glass	
M409900	13
Door Glass and Seal Kit	
M409899P	13
Door Handle	
M400133	13
Door Strike Screw	
M400661	13
Door Switch	
H96422241	11
Drive Guard Bottom	
M411223	17

Drive Guard Cover	
M411221	17
Drive Guard Side	
M411224	17
Drive Guard Top	
M411222	17
Drive Sheave	
H87520334	23
H87520466	23
Drying Timer	
M410901P	5
M410903P	5

E

Elbow	
M411264	31
Eyebolt	
M411337	19, 23, 27

F

Fan	
H96358320	25, 27
Fan Contactor	
M410457	35
M410529	35
Fan Cover	
H96358007	25
Fan Motor	
M410561	27
Fan Shaft	
H96428636	27
Filter	
H96382106	33
Flangette	
H8768302H	27
Front Panel	
M411383	11
M411384	11
Fuse	
430836	7
Fuse Holder	
91024	7

G

Gas Pipe	
M411265	31
Gas Valve	
M411281	31
M411544	31
M411621	31
Graphics Plate	
M411574	7

H

Hex Nut	
H88410030	37
High Voltage Lead	
M411549	31
Hinge Pin	
M410029	11
Housing Cover	
H96388004	33

I

IEI Igniter Control	
M411296	38
Igniter	
M406934	31
Instant Electronic Ignition Control	
M406789	7
M411282	7
Insulation	
H96418728	37
Insulator	
H96418728	11
Internal Rear Control Box Wiring	
M411290	38

J

Jackshaft Assembly	
H96357751	19

K

Key	
H8752006H	23, 25, 27
Kickplate	
M411443	9

L

Light	
M400703	5, 7
M400704	5, 7
Lint Panel	
M411453	9
M411454	9
Lint Screen	
M409717	17
Lint Screen Frame	
M409652	17
Lockwasher	
H88511118	21, 23
H88512561	11
M400014	19, 21, 23
02432	25
51345	37

Lower Door Hinge M410031	13
Lower Panel Hinge M410042	11

M

Motor M410860	25
Motor Base H96428461	23, 27
Motor Bracket H96357603	25
Mounting Bracket H96428008	21

N

Nameplate M411562	9
Nipple M411417	31
Nut H88410030	11
H88412093	21, 23
M404993	19, 23, 29
Q6163	13
20274	19, 21, 23
23951	9
70054	13
70142	25

P

Pillow Block Bearing H8762002H	27
Push-To-Start Switch M400954	5

R

Rear Control Box to Front Temperature Control Area M411288	38
Rear Control Box to Timer M411287	38
Relay M400911	5
M400912	5
Retainer Ring H88602263	19
H88603477	19
Reversing Contactor M410515	35
M411269	35
Reversing Drive Motor M411294	38
Reversing Timer M411683	35
Reversing/Nonreversing Switch H96422431	7

Rib Rod H88301411	29
Roller Catch H87020202	9

S

Screw H88001565	23
H88110267	11
H88111703	21
H88129788	11
H88213574	25
H88213707	5, 9, 11
H88213996	21
H88214515	25
M400044	9
M400072	5, 11
M400664	15, 17
M401902	9
M401938	37
M409385	13
M411052	5
22688	19, 21, 23
33562	35
430497	7, 31
431027	9
51780	5
62588	35
81122	25
Screw Hinge Mounting H88129648	13
M400044	13
Screws 430757	9
Sheave H87520284	27
H87520334	27
H8752251H	19
Shut-Off Valve M411613	31
Signal Buzzer 500730	7
500823	7
Spacer M401402	29
Spud Holder M411254	31
Steam Coil H96382023	33
Steam Damper Motor M411637	38
Steam Solenoid Valve M411699	38
M413295	33
M413298	33
Step Pulley H96428024	19
Step Pulley Bearings H87672184	19
H87672374	19
Stove High Limit Thermostat M411295	38
Switch H83055111	37

T

Taper Bushing	
H87529111	23
H87529129	23
Temperature Knob	
M411345	7
Terminal Block	
M405363	35
M405364	35
430641	7
Thermostat	
H8900530H	25, 27
M411333	7
M411403	25
M411404	31
M411551	27
M411552	31
Timer Controls	
M411286	38
Timer Graphics Panel	
M411577	5
Timer Knob	
M410927	5
Top Access Panel	
M411348	9
M411349	9
Transformer	
M401391	35
Trunnion Assembly	
H96357744	29
Trunnion Bearing	
H87625430	21
Tube	
H96428479	23, 27
H96428487	19

U

Union	
M411419	31
Upper Door Hinge	
M410030	13
Upper Panel Hinge	
M410041	11

V

Vane	
430372	37

W

Warning Label	
M409312	11
M410892	11
Washer	
M400080	19, 23
M400081	21
M400671	11
Wire Harness	
M411289	11
411295	31