



## **SERVICE MANUAL**

# **36BS30**

## **LAUNDRY DRYER**

Steam - Gas - Electric

- Installation
- Operation
- Service
- Parts

**Cissell Manufacturing Company.**

Louisville Ky. U.S.A.

DO NOT DRY ITEMS CONTAINING FOAM RUBBER OR ANY RUBBER-LIKE MATERIALS IN THIS DRYER.

RUBBER EASILY OXIDIZES CAUSING EXCESSIVE HEAT AND POSSIBLE FIRE. ALL ITEMS CONTAINING RUBBER SHOULD BE AIR DRYED.

SPECIFICATION.....Page 2-4

INSTALLATION.....Page 5-10

SERVICE AND MAINTENANCE.....Page 11-14

PARTS AND HARDWARE..... Page 15-33

TROUBLE SHOOTING..... Page 34-37

NOTE

BE SAFE -

NOTE

SHUT MAIN POWER OFF EXTERNALLY TO MACHINE  
BEFORE SERVICING

NOTE

## GENERAL INFORMATION

The Cissell 36BS30 Single Motor Dryer has a rotating basket 36" diameter and 30" deep and a capacity of 50 pounds dryweight for a maximum moisture retention of 100%. When operator opens dryer door, the basket and exhaust fan stops.

You can expect fast drying from a Cissell 36BS30 Laundry Dryer. Hot, dry air is properly and effectively moved through basket and exhausted through a lint trap to atmosphere.

The Cissell 36BS30 comes equipped with an inclined self-cleaning lint screen. In this system, lint accumulates on the underside of the screen until a blanket approximately 1/4" thick is formed. This blanket of lint will fall from the screen to the bottom of the dryer cabinet, and should be removed daily, or as required, to prevent an over accumulation.

As an alternate, Cissell offers a large full width lint drawer. Lint is collected within the drawer on a large perforated metal area which permits full air flow while reducing the lint problem common to all clothes drying.

## CISSELL "THERM-O-COOL" DRYERS

Permanent press, durable press and other modern day fabrics require the care that your Cissell Therm-o-cool laundry Dryers now provide.

At the end of the drying cycle, determined by the coin meter or timer, a thermostatic control automatically takes over and continues the rotation of the fan and basket without heat until the garment load reaches a safe cool temperature. This function is performed at the end of each drying cycle and because it's controlled by the heat retained in the garments, after the normal drying period, its time can extend from 30 seconds up to 5 minutes. The Therm-o-cool cycle is never too long or too short. Always the exact minimum time required to reduce the temperature of the garment load to a safe and cooling handling temperature.

**36BS30 DRYER GAS-HEATED**

**BASKET LOAD CAPACITY .....50 LBS. DRYWEIGHT**  
 (For a Maximum Moisture Retention of 100%)

Floor Space.....	75" High x 45 1/8" Deep x 37 7/8" Wide
Basket Size.....	36" Dia. x 30" Deep
Exhaust Duct.....	8" Dia.
Motor Size (one motor for basket & fan)	3/4 H.P.
Amps Required for Motor and Controls	120V., @ 14 Amps 240V., @ 7 Amps
Maximum Air Displacement.....	800 C.F.M.
Recommended Operating Range....	580-680 C.F.M.
*B. T. U. Input (2 Burners.....)	130,000 Per Hour - Nat. Mixed & Mfg.
Gas Supply .....	1/2" Pipe Connection
Approximate Drying Time --- 10 Lbs. Dryweight (Indian Head) 70% Moisture Retention -----	-----10 Minutes
Net Weight (Approx.).....	590 Lbs.
Domestic Shipping Weight (Approx.) 1 Carton.....	660 Lbs.
Export Shipping Weight (Approx.) 1 Box.....	1180 Lbs.

Liquid Petroleum (LP)  
110,000 per hour

\*Input ratings as shown are for elevations up to 2,000 ft. For elevations above 2,000 ft., ratings should be reduced 4% for each 1,000 ft. above sea level.

**36BS30 DRYER ELECTRICALLY HEATED**

**BASKET LOAD CAPACITY ..... 50 LBS DRYWEIGHT**  
 (For a maximum moisture retention of 100%)

Electrical (Motor and Controls)...	120V or 240V., 50 or 60 Cycle, 1 Phase; 50 or 60 Cycle, 3 Phase
Amps Required for Motor and Controls	120V @ 14 Amps 240V @ 7 Amps
Floor Space.....	75" High x 45 1/8" Deep x 37 7/8" Wide
Basket Size.....	36" Dia. x 30" Deep
Exhaust Duct.....	8" Dia.
Motor Size (one motor for basket & fan)	3/4 H.P.
Maximum Air Displacement.....	800 C.F.M.
Recommended Operating Range..	580-680 C.F.M.
Heater Input.....	<u>21 Kilowatt</u>
Total Heater Current.....	See Electric Heating Unit Data Sheet
Heater Input.....	<u>30 Kilowatt</u>
Total Heater Current.....	See Electric Heating Unit Data Sheet

A separate Circuit is Required for the Electrical Heater

Approximate Drying Time --- 12 Lbs. Dryweight (Indian Head)  
 70% Moisture Retention ----- 21 KW. 12 Mins.  
 30 KW. 10 Mins.

Net Weight.....	660 Lbs.
Export Shipping Weight (Approx.) 1 Box.	1180 Lbs.
Domestic Shipping Weight (Approx.) 1 Carton...	705 Lbs.

Electrical Wiring To Dryer Must Comply With Local Electrical Code Requirements

36BS30 DRYER STEAM HEATED

**BASKET LOAD CAPACITY..... 50 LBS DRYWEIGHT**  
(For A Maximum Moisture Retention of 100%)

Floor Space.....	75" High x 45 1/8" Deep x 37 7/8" Wide
Basket Size.....	36" Dia. x 30" Deep
Exhaust Duct.....	8" Dia.
Motor Size (one motor for basket & fan)	3/4 H. P.
Amps Required For Motor & Controls	120V @ 14 Amps 240V @ 7 Amps
Maximum Air Displacement.....	700 C. F. M.
Recommended Operating Range.....	580-680 C. F. M.
Steam Supply Connection.....	3/4"
Steam Return Connection.....	3/4"
Domestic Shipping Weight.....	660 Lbs.
Export Shipping Weight.....	1180 Lbs.
Net Weight.....	705 Lbs.

LOW PRESSURE ONLY..... (9 Section Steam Heating Unit)

Operating Steam Pressure.....	7 to 15 Lbs.
Approximate Drying Time---	25 Lbs. Dryweight (Indian Head) 70% Moisture Retention---- 30 Minutes
Steam Consumption-----	2.6 B.H.P. ----89.7 Pounds Per Hour---With Normal Load

HIGH PRESSURE ONLY..... (9 Section Steam Heating Unit)

Operating Steam Pressure.....	125 Lbs. Max.
Approximate Drying Time---	25 Lbs. Dryweight (Indian Head) 70% Moisture Retention 22 Minutes
Steam Consumption-----	3.8 B.H.P. ----131.1 Pounds Per Hour---With Normal Load

HIGH PRESSURE ONLY..... (8 Stage Heat Control)

Operating Steam Pressure.....	125 Lbs. Max.
Approximate Drying Time---	25 Lbs. Dryweight (Indian Head) 70% Moisture Retention---27 Minutes
4 Coil Heat Capacity (two double coils)---	3.2 B.H.P. ----110.4 Pounds Per Hour --- With Normal Load

HIGH PRESSURE ONLY..... (8 Stage Heat Control)

Operating Steam Pressure.....	125 Lbs. Max.
Approximate Drying Time---	25 Lbs. Dryweight (Indian Head) 70% Moisture Retention---25 Minutes
6 Coil Heat Capacity (two double coils)---	3.4 B.H.P. ----117.3 Pounds Per Hour --- With Normal Load

GENERAL INSTALLATIONS  
ALL DRYERS

The construction of Cissell Cabinet Dryers permits installation side by side to save space or to provide a wall arrangement. Position dryer for the least amount of exhaust piping and elbows, and allow free access to the rear of dryer for future servicing of belts, pulleys and motor. Installation clearances from all combustible material is o clearance.

Before operating dryer, open basket door, remove blocking between front panel and basket; remove all tape used to secure dryer parts during shipment; level dryer; and read all instruction tags, etc.

EXHAUST DUCT

Vent the 8-inch diameter exhaust, on rear of dryer, to atmosphere. Do not reduce duct size. If vent is vertical through roof, install two elbows on the discharge end forming a "U" looking down; if vent is horizontal through wall, install one elbow on the discharge end looking down, to prevent wind, rain, snow, sleet, etc., from entering duct and flowing down to dryer.

For multiple dryer installations, it is preferable to vent each dryer individually with a separate duct.

When conditions require the use of a single exhaust duct for several dryers, the piping from each dryer should enter the single duct at an angle of approximately 30°, and in the direction of the air flow. The cross sectional area of the single exhaust duct should equal the combined areas of the dryer ducts connected to it. Make all exhaust connections with the least amount of elbows to reduce air resistance to a minimum. Provide cleanout and inspection openings in the horizontal sections of the duct work.

On multiple installations employing a single exhaust duct, there should be no back draft to interfere with the normal free discharge of air from each dryer.

Before approving duct installation, place each dryer in operation; progressively open each dryer door; manually trip door switch, and see that air is drawn into the basket door opening as freely as it is when all other dryers are stopped.

Keep the exhaust ducts clean. Do not install wire mesh or screen in the discharge opening of the duct, as lint will build up and prevent proper discharge of air from dryers.

ELECTRICAL CONNECTIONS (ALL DRYERS)

DRYERS MUST BE ELECTRICALLY GROUNDED by a separate #14 or larger wire from the grounding terminal within the service connection box to a cold water pipe; or through the grounded neutral of a 3-wire system properly grounded and connected to the grounding terminal. In all cases, the grounding method must comply with local electrical code requirements.

See wiring diagram furnished with dryer. Your Cissell dryer is completely wired at the factory and it is only necessary for the electrician to connect the power leads to the wire connectors within the service connection box on the rear of the dryer. Do not change wiring without consulting factory as you may void the factory warranty. Do not connect the dryer to any voltage or current other than that specified on the tags placed on the power leads of the dryer. Electrically heated dryers require one line circuit for the drive motor and controls, and a separate line circuit for the electrical heating unit.

## GAS-FIRED DRYER INSTALLATION

Efficient operation of Gas-Heated dryers depends upon the use of the proper orifice in both gas pilot and main burner to suit the type of gas and its pressure. When measuring gas pressure, place all gas equipment in operation, and measure the gas pressure in the burner manifold with the main burner operating. Be sure that the gas service is adequate, and that the piping connecting the gas meter and dryer is sufficiently large to keep the gas pressure drop in the piping as low as possible.

For proper gas specifications, pressures, size of meter service and size of the gas line connecting the gas meter and dryer, consult your gas company. If gas performance is unsatisfactory, request the gas company to make an actual pressure test with the dryer and all other gas equipment in operation. If the pressure is different from that specified on the name plate of Gas-Heating unit, write the Cissell factory, giving the correct gas pressure, the B. T. U. specifications of the gas in BTU's per cubic foot, and the specific gravity of the gas and correct orifices will be sent you. Do not operate a gas dryer with incorrect orifice sizes.

The main burner has a fixed orifice to provide a rated BTU input, only when operated on the type of gas and pressure specified. Lower pressures will increase drying time... higher pressures will require closer attention to avoid scorching. Connect gas supply line to gas inlet line of dryer with a union and gas cock so that gas to dryer can be shut off when necessary.

### INSTRUCTIONS FOR LIGHTING BURNER

Unlock upper front cover; raise cover for access to gas controls.

1. Be sure manual shut-off valve (s) have been shut off for at least five minutes before proceeding.
2. Open valve (s) in gas line.
3. Depress pilot safety button (Red). Light pilot, keep red button depressed for 30 seconds, then release. If pilot does not remain lighted--repeat operation.
4. Operate dryer and see that pilot flame ignites burner.

If pilot flame fails, automatic gas valve will close within two minutes. Investigate cause of pilot failure. Correct and relight pilot.

Adjust air mixture to produce a good blue flame on burner by rotating the round disc on air mixer to the right or left.

### MOTOR NUMBERS

<u>PART NO.</u>	<u>DESCRIPTION</u>
MTR123.....	120/60/1
MTR125.....	240/60/1
MTR126.....	120/50/1
MTR127.....	240/50/1
MTR128.....	240/60/3 or 480/60/3
MTR186.....	240/50/3 or 380/50/3
MTR130.....	208/60/1
MTR131.....	208/60/3
MTR186.....	415/50/3

ALL MOTORS ARE 3/4 H.P.

## PIPING INSTALLATION INSTRUCTIONS

### **IMPORTANT: INSTALL STEAM PIPING IN ACCORDANCE WITH ALL LOCAL REGULATIONS AND REQUIREMENTS**

1. Set an anchor dryer in position. Machine should be level to assure proper steam circulation.
2. To prevent condensate draining from headers to dryer, piping should have a minimum riser 12" above each respective header as illustrated. Do not make steam connection to header with a horizontal or downwardly facing tee or elbow.
3. Whenever possible, horizontal runs of steam lines must drain, by gravity, to respective steam header. Water pockets, or an improperly drained steam header will provide wet steam, causing improper operation of dryer. If pockets or improper drainage cannot be eliminated install a by-pass trap to drain condensate from the low point in the steam supply header to the return.
4. In both the steam supply and steam return line, it is recommended that each have a 3/4" union and 3/4" globe valve. This will enable you to disconnect the steam connections and service the dryer while your plant is in operation.
5. Before connecting trap and check valve to dryer, open globe valve in steam supply line and allow steam to flow through dryer to flush out any dirt and scale from dryer. This will assure proper operation of trap when connected.
6. After flushing system, install bucket trap (w/built-in strainer) and check valve. For successful operation of dryer, install trap 18" below coil and as near to dryer as possible. Inspect trap carefully for inlet and outlet markings and install according to trap manufacturers instructions. If steam is gravity-returned to boiler, omit trap but install check valve in return line near dryer.
7. Install union and globe valve in return line and make final pipe connections to return header.

### STEAM PIPING RECOMMENDATIONS

1. Trap each dryer individually. Always keep the trap clean and in good working condition.
2. When dryer is on the end of a line of equipment extend headers at least 4 ft. beyond dryer. Install globe valve, union, check valve and by-pass trap at end of line. If gravity return to boiler, omit trap.
3. Insulate steam supply and return line for safety of operator and safety while servicing dryer.
4. Keep dryer in good working condition. Repair or replace any worn or defective parts.



**W. M. CISSELL MANUFACTURING COMPANY**

831 S. FIRST STREET • P. O. BOX 1143, LOUISVILLE, KY., U.S.A. 40201

Foreign Distributors: Address Correspondence Attention  
Export Department • Cable Code "CISSELL"  
Pacific Coast Office, 4823 W. Jefferson Blvd., Los Angeles

*Ask Your Distributor*

When ordering, specify part number and name.

**CISSELL®**

**DUCT INSTALLATION**

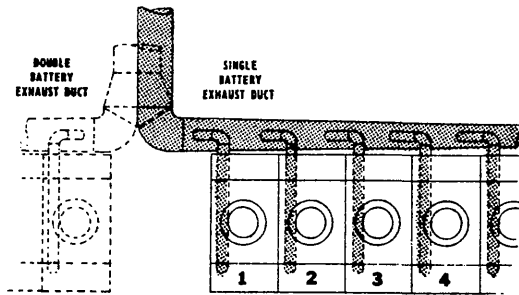
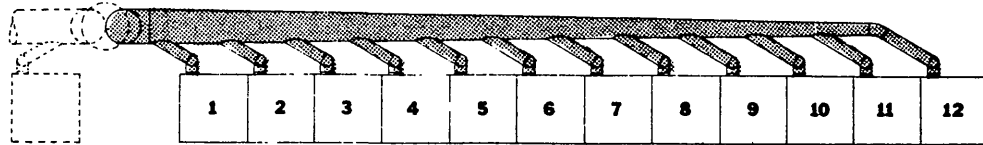
**28BS30 28BD30**

**36BS30 36BD30**

**DRYERS**

**EXHAUST DUCT INSTALLATION**

NUMBER OF DRYERS IN SINGLE BATTERY—REFER TO TABLE FOR DUCT DIAMETER AT EACH DRYER OUTLET CONNECTION. FOR DIAMETER OF EXHAUST, REFER TO TABLE USING TOTAL NUMBER OF DRYERS CONNECTED THERETO. (SINGLE OR DOUBLE BATTERY.)



**FOR BEST PERFORMANCE —**  
Provide an individual exhaust duct for each dryer. Do not install a hot water heater in room containing dryers. It is better to have the water heater in a separate room with a separate air inlet.

**CAUTION**  
Dryers are forced air exhausted and require provisions for air inlet to replace the air exhausted by the dryer. The air inlet openings into a room containing dryers should be a minimum of 200 square inches free area per dryer.

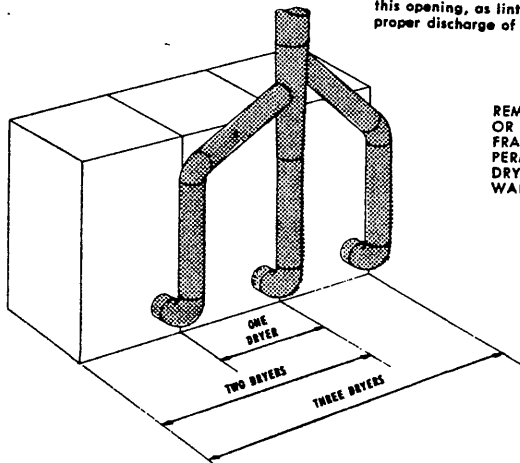
The air inlet openings into a room containing dryers and a gas fired hot water heater or other gravity vented appliance must be increased sufficiently to prevent downdraft in any of the vents when all dryers are in operation. Do not install gravity vented appliances between dryers and air inlet openings.

Consult your local building code requirements.

**NOTE:** Inside of duct shall be smooth. Do not use sheet metal screws to join sections.

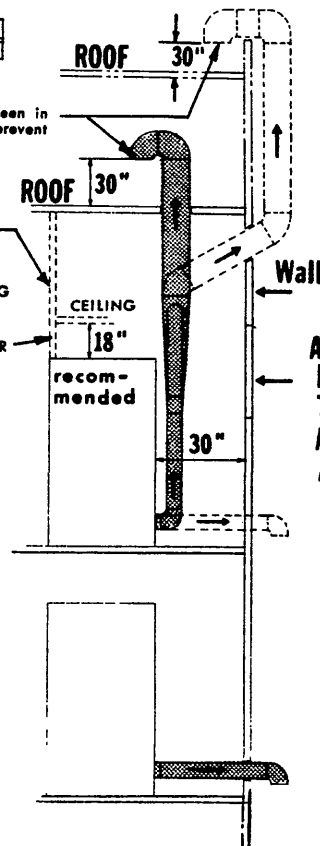
NO. OF DRYERS	1	2	3	4	5	6	7	8	9	10	11	12	13	14	15	16	17	18	19	20	21	22	23	24
DUCT DIAMETER	8	12	14	16	18	20	22	23	24	26	27	28	29	30	31	32	33	34	35	36	37	38	39	40

Note: Do not install wire mesh or screen in this opening, as lint will build up and prevent proper discharge of air from dryers.



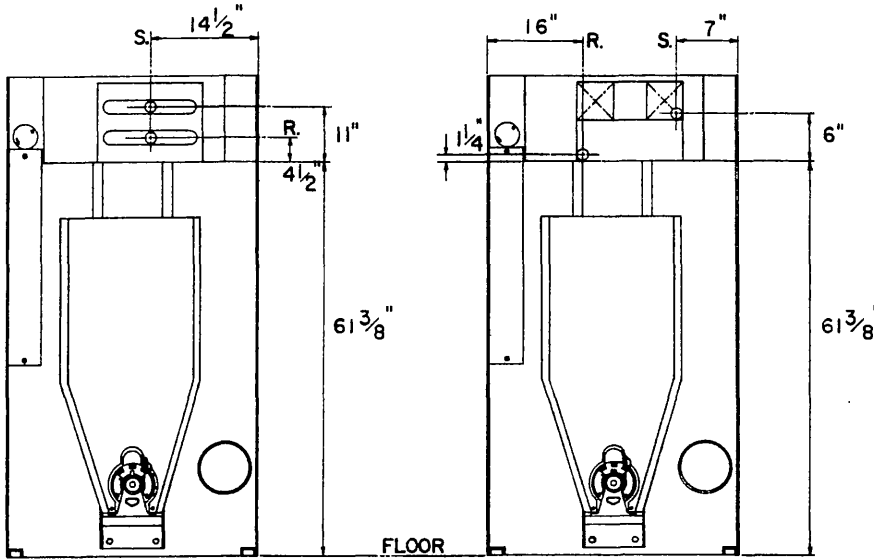
REMOVABLE STRIP OR PANEL IN FRAMING WALL TO PERMIT REMOVAL OF DRYER FROM FRAMING WALL

PARTITION OR BULKHEAD

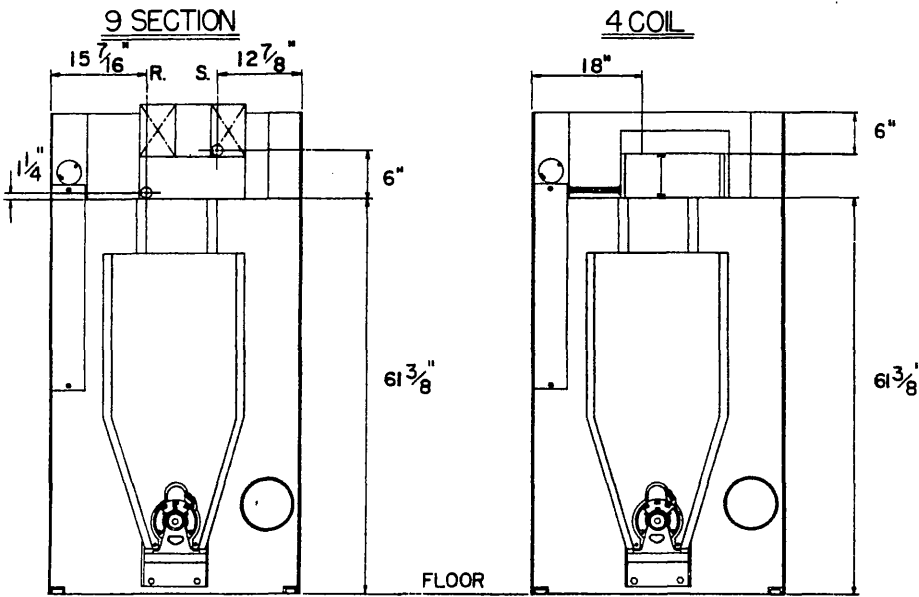


**Air Inlet Must Be 4 To 6 Times The Combined Areas Of The Air Outlets**

## STEAM AND ELECTRIC CONNECTIONS



	RETURN R.	SUPPLY S.
9 SECTION	1"	1"
9 SECTION W/SOLENOID	1"	3/4"
4 COIL BONNET	3/4"	3/4"
6 COIL BONNET	3/4"	3/4"



DIMENSIONS SHOWN ARE FOR BOTH 36BS30 AND 36BD30, 36BS30 IS ILLUSTRATED.

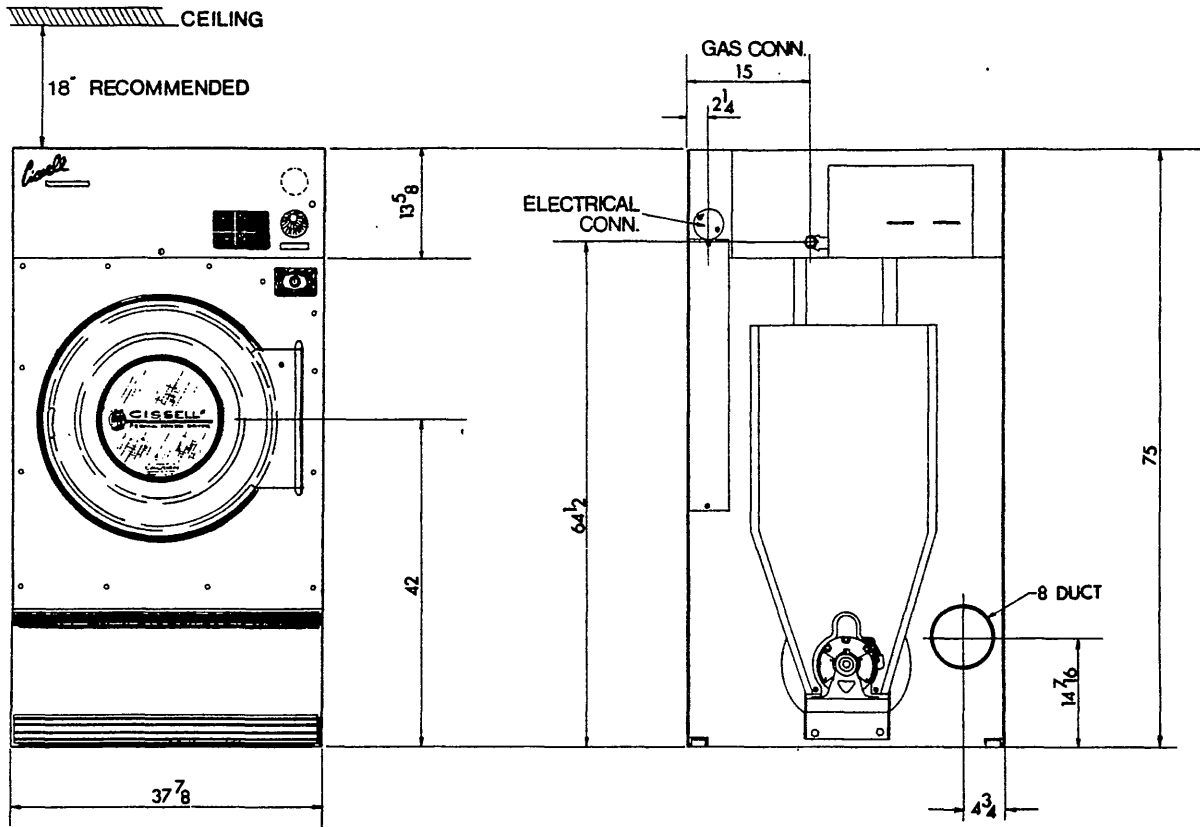
6 COIL

ELECTRIC

FOR ALL OTHER DIMENSIONS SEE P.10

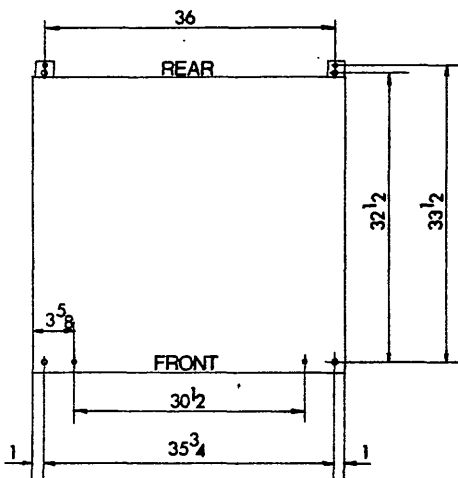
# GAS FIRED DRYER

(36BS30 ILLUSTRATED)

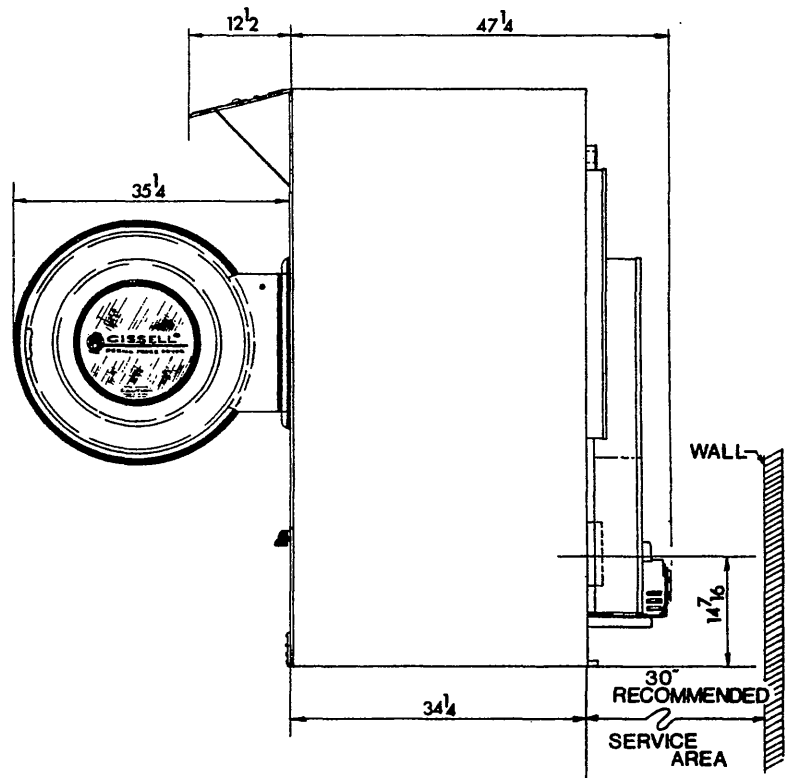


FRONT VIEW

REAR VIEW



MOUNTING HOLES



SIDE VIEW

ALL DIMENSIONS GIVEN IN INCHES ± 1/4

## MAINTENANCE

1. CLEAN LINT COMPARTMENT: Remove lint before starting day's operation. A clean lint trap will increase the efficiency of the dryer, as the moisture laden air will be exhausted to the atmosphere more quickly. Clean lint from thermostat as often as needed.
2. KEEP BASKET AND SWEEP SHEETS CLEAN: Clean periodically and clean as often as required. The basket and sweep sheets within the dryer are easily accessible for cleaning by removing the front panel of the dryer.
3. PULLEYS AND BELTS: Keep belts clean. Oil and dirt will shorten the useful life of a belt. Never allow a belt to run against the belt guard. Check belts periodically for alignment. Pulley shafts must be parallel and the grooves must be in alignment. Check and re-tighten pulley set screws periodically. Check belt tension periodically. Grease idler pulley bearing periodically with high temperature water resistant grease.
4. ELECTRIC MOTORS: Keep motors clean and dry.

Motors having BALL BEARINGS are packed with sufficient grease for approximately five years of operation under normal conditions. After five years, the bearings and housing should be cleaned thoroughly. Repack each bearing and the cavity back of the bearing one-third full with Ball Bearing grease.

5. Motors having wool packed SLEEVE BEARINGS are oiled at the factory for one years normal operation. After one years normal operation, add annually 1/2 teaspoon electric motor oil or S.A.E. #10 to each bearing. For 24 hours per day operation, add one teaspoon of oil annually.

If motors overheat, check voltage and wiring. Low voltage, inadequate wiring and loose connections are the principle cause of motor failure.

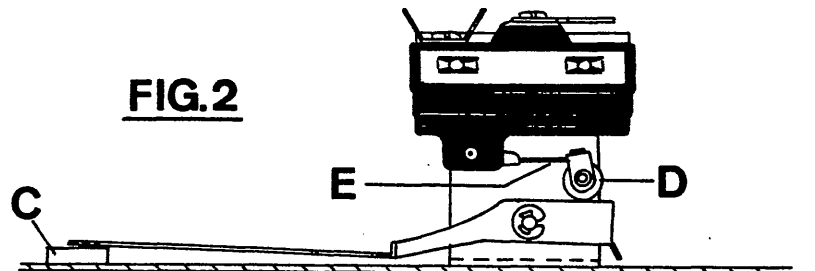
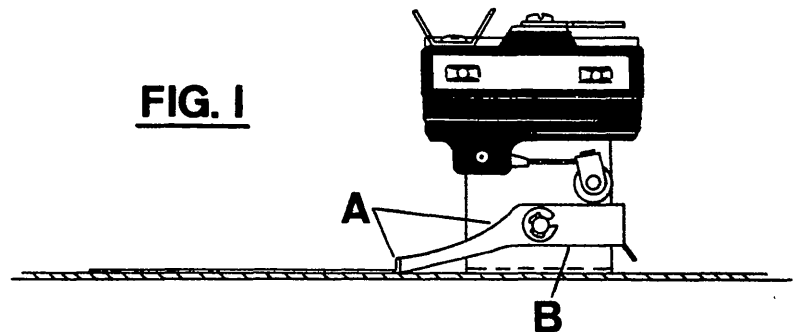
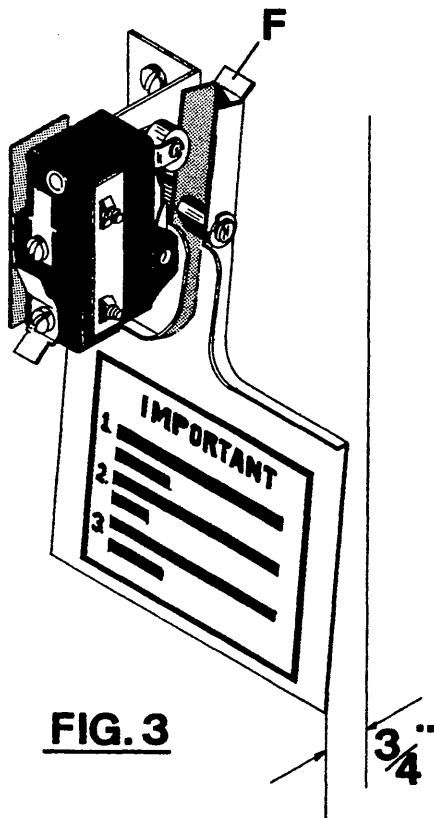
ADJUSTABLE LEVELING BOLTS: One at each corner, front and rear permits accurate alignment of dryer.

TO ADJUST: Block corner of dryer up off floor. Loosen hex nut. With wrench, turn bolt clockwise to raise dryer; counter-clockwise to lower. Rear bolts are on outside rear of dryer. Hex nuts for front bolts are inside lint trap.

6. STEAM HEATING UNITS: Keep steam coils clean. Check periodically and clean as often as required. Remove lint and dirt accumulation from coil fins periodically as dirty lint laden coil fins decrease the efficiency of steam-heated dryer.

## AIR SWITCH ADJUSTMENT

1. Shut off current; disconnect leads and remove air switch.
2. Lay air switch assembly on flat surface. Adjust air blade by bending at "A" (Fig. 1) so that air blade lays flat and surface "B" is parallel to the flat surface.
3. Place 3/16" x 5/8" spacer bar or equivalent "C" (Fig. 2) under air blade in position shown; hold switch mounting bracket firmly and adjust switch actuator "D" with needle nose pliers at "E" by twisting actuator right or left whichever is needed so that switch closes when end of air blade engages bar "C".
4. Maximum opening of air switch must be no greater than 3/4" (Fig. 3). Bend tab "F" in or out to maintain this dimension.
5. Re-install air switch assembly on rear of dryer.
6. Re-check operation of air blade. Switch must close before air blade engages face of opening and re-open before stop "F" engages.



INSTRUCTIONS FOR ALIGNING BASKETS ON CISELL DRYERS

1. Loosen four basket bearing bracket bolts (numbers 1, 2, 3, and 4) on rear of dryer, and 3 bolts (5, 6, 7) holding the rear bearing housing also loosen the basket bearing collars.
2. Place the "A" and "B" diameter pins inside the drying compartment between the rim of the basket opening and the rim of the door opening in the positions shown in Fig. 1 & Fig. 2.
3. Push the basket to the rear or pull to the front, whichever is required to make the basket approximately flush with the door opening flange, plus or minus 1/8".
4. With the pins in position, retighten bearing bracket bolts and bearing housing bolts.
5. Check the space between basket and door opening at "B" pin position (Fig. 2). If the gap is not approximately the same on both sides, repeat steps 1, 2, 3, and 4.

NOTE: USE SHORT SECTIONS OF ROUND STEEL ROD FOR PINS OR DRILL BITS MAY BE USED IN PLACE OF ROUND ROD.

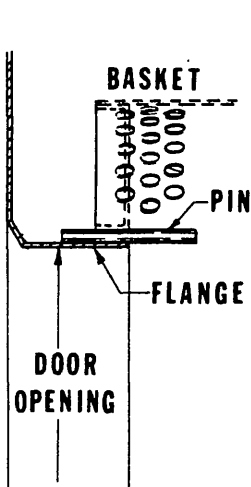


FIG 1

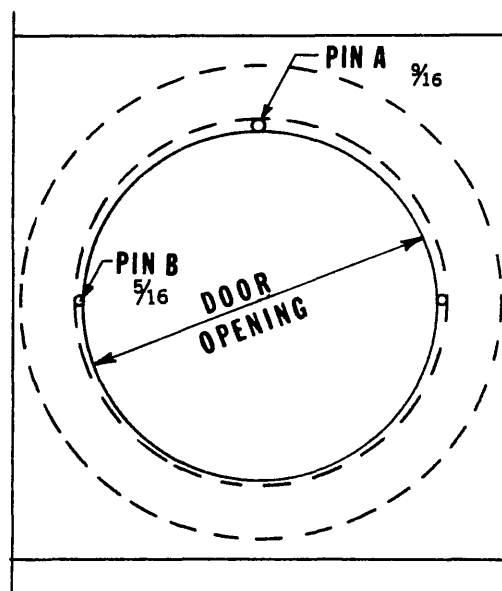


FIG 2

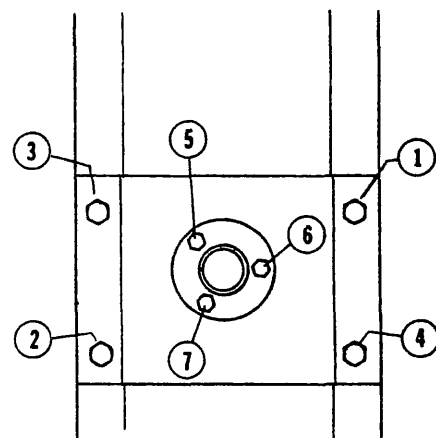
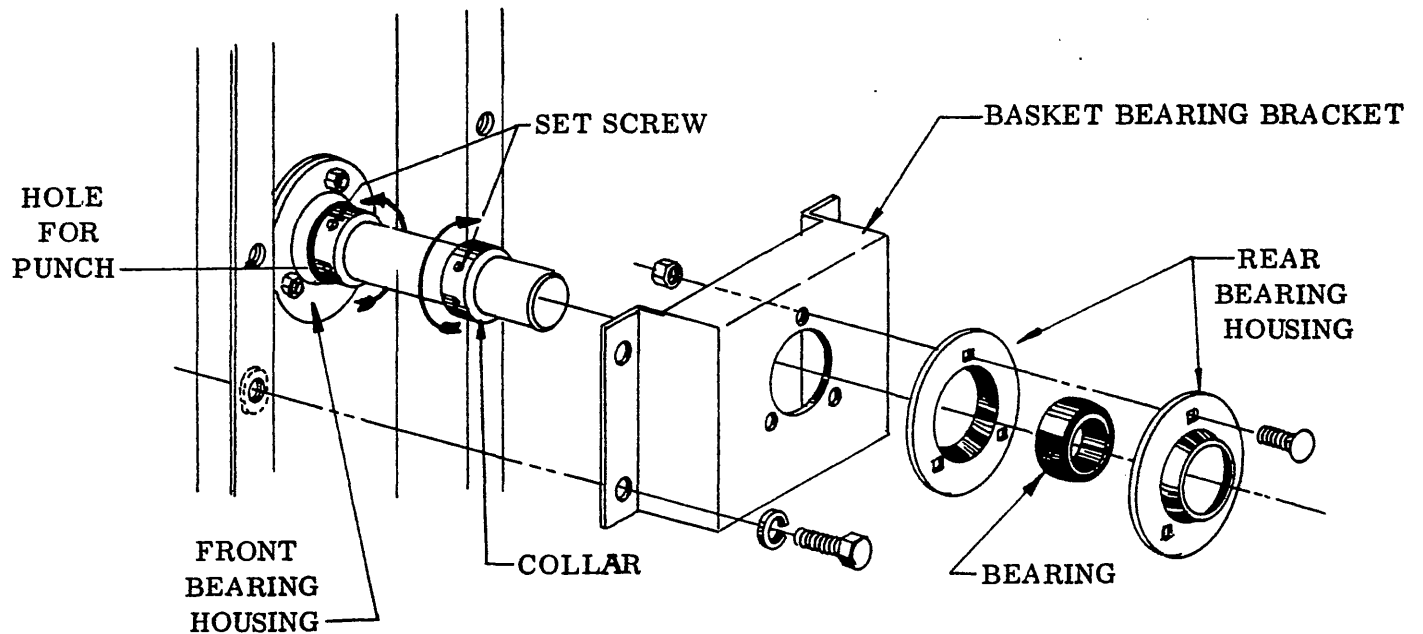


FIG 3

## INSTRUCTIONS FOR REPLACING BEARING



### VIEW FROM REAR OF DRYER

1. Remove belt guard, V belt and basket sheave.
2. Loosen and remove set screws in bearing collar.
3. Release bearing collar by rotating as indicated in illustration. If necessary, use punch and mallet to break collar loose. Rotate in direction indicated until bearing collar can be moved away from bearing.
4. Loosen three bolts in rear bearing housing. Remove four bolts in basket bearing bracket and remove bracket.
5. Remove three nuts on front bearing housing. Remove old bearing and replace with new bearing and bearing collar.
6. Remove old bearing in basket bearing bracket and replace with new bearing and bearing collar. Place basket bearing bracket on shaft and lightly tighten four mounting bolts.
7. Align per instructions on page 13 of this manual.

**W. M. CISSELL MANUFACTURING COMPANY**

831 S. FIRST STREET • P. O. BOX 1143, LOUISVILLE, KY., U.S.A. 40201

Foreign Distributors: Address Correspondence Attention  
Export Department • Cable Code "CISSELL"  
Pacific Coast Office, 4823 W. Jefferson Blvd., Los Angeles

*Ask Your Distributor*

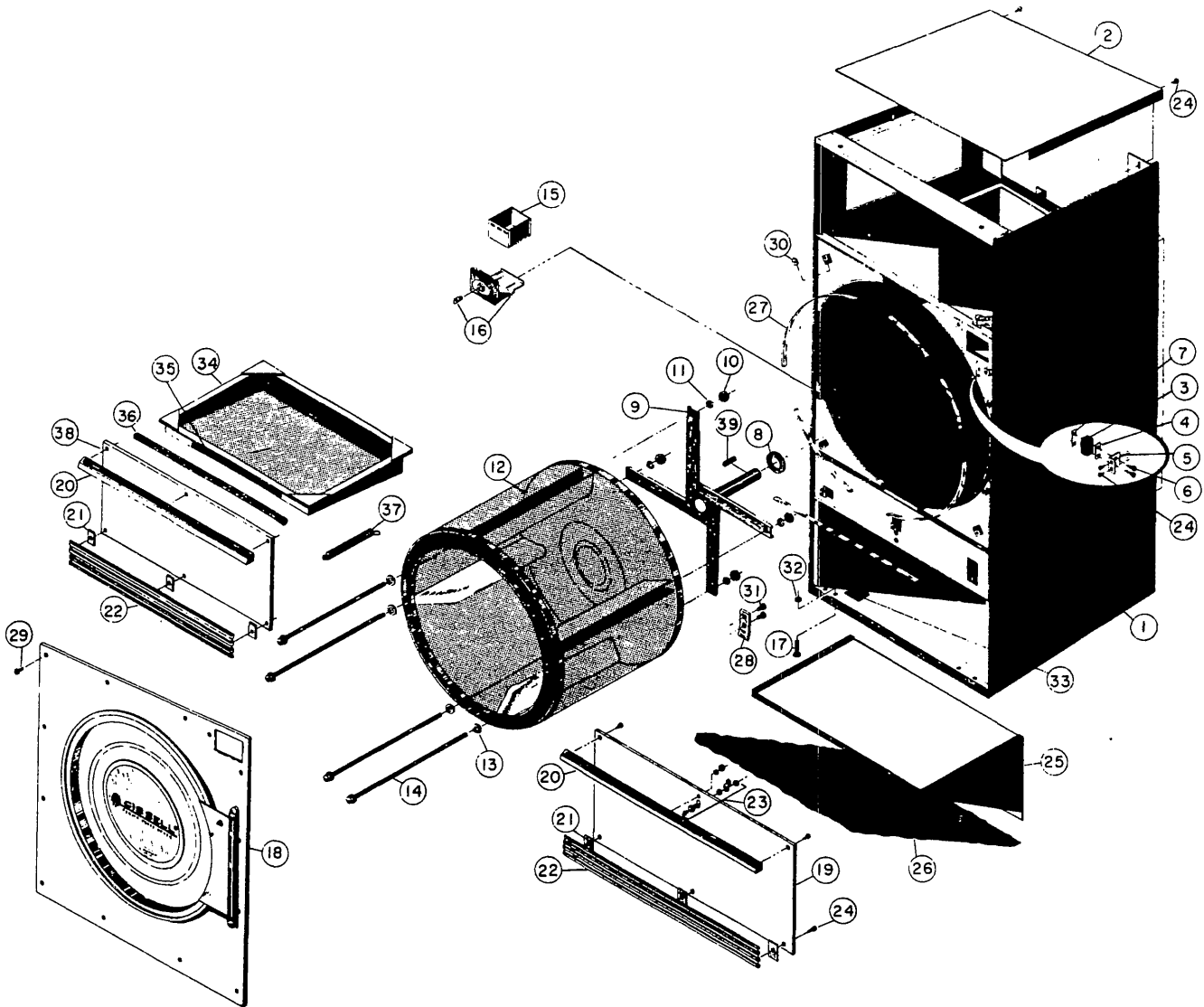
When ordering, specify part number and name.

**CISSELL DRYER**

**36BS30**

**FRONT VIEW**

**PARTS**





<u>REF. NO.</u>	<u>PART NO.</u>	<u>DESCRIPTION</u>
1	TU5788	Jacket Welded Ass'y. (For Coin Vault)
	TU7463	Jacket Welded Ass'y. (For Time & Temperature)
2	TU2621	Solid Top (Gas)
	TU6120	Solid Top (Electric)

TU4828 Door Switch Ass'y. Consists of Ref. No. 3-7

3	TU1979	Door Switch
4	TU1770	Insulator
5	TU2373	Door Switch Bracket
6	TU3219	#6 x 1" S. M. S.
7	TU1771	#6 Tinnerman Twin Nut

\*TU7187 Basket Complete Consists of Ref. Nos. 8-14

8	TU108	Felt Seal
9	*TU7183	Spider Welded Assy.
10	TU2882	$\frac{1}{2}$ "-20 Hex Nut
11	TU2831	$\frac{1}{2}$ " Split Lock Washer
12	TU6822	Basket Weldment
13	TU2883	$\frac{1}{2}$ " Cut Washer
14	TU2313	Tie Rod
	TU5490	SHIM(3 Req'd) (Not Illustrated)
15	CM35	Coin Box
16	CM61	Coin Vault Lock Ass'y.
17	TU3211	$\frac{3}{8}$ "-16 x $2\frac{1}{2}$ " Leveling Bolt
18		Front Panel & Door Assembly See Page <u>17</u>

TU5808 Lint Door Ass'y. Consists of Ref. Nos. 19-24

19	TU5566	Lint Door Welded Ass'y.
20	TU7473	Handle
21	TU2710	Trim Holder
22	TU2385	Trim
23	TUB1867	Lock & Key
24	TU3218	#8 x $\frac{7}{16}$ " Self-Drill Screw

TU6447 Self-Cleaning Lint Trap Ass'y. Consists of Ref. Nos. 24-26

25	TU6439	Lint Screen Housing
26	**TU5261	Self-Cleaning Lint Screen
27	TU5876	Sweep Sheet Gaskets
28	TU3206	Lock Plate
29	TU2878	#10 x $\frac{5}{8}$ " S. M. S.
30	TU2877	#10 Speed Nut
31	TU1978	#14 x $\frac{3}{4}$ " S. M. S.
32	TU4937	$\frac{3}{8}$ "-16 Jam Nut
33	TU2420	S. N. Plate
34	TU2570	Lint Drawer
35	TU1893	Lint Drawer Name Tag
36	TU2506	Lint Drawer Seal
37	CB19	Extension Spring
38	TU2865	Lint Drawer Door
39	TU5887	Key

\*Before Serial #3744 Requires  
K21 Spider or K27 Basket Complete.

\*\*TU6956 Self Cleaning Lint Screen Only  
TU5225 Lint Screen Frame Only

**W. M. CISSELL MANUFACTURING COMPANY**

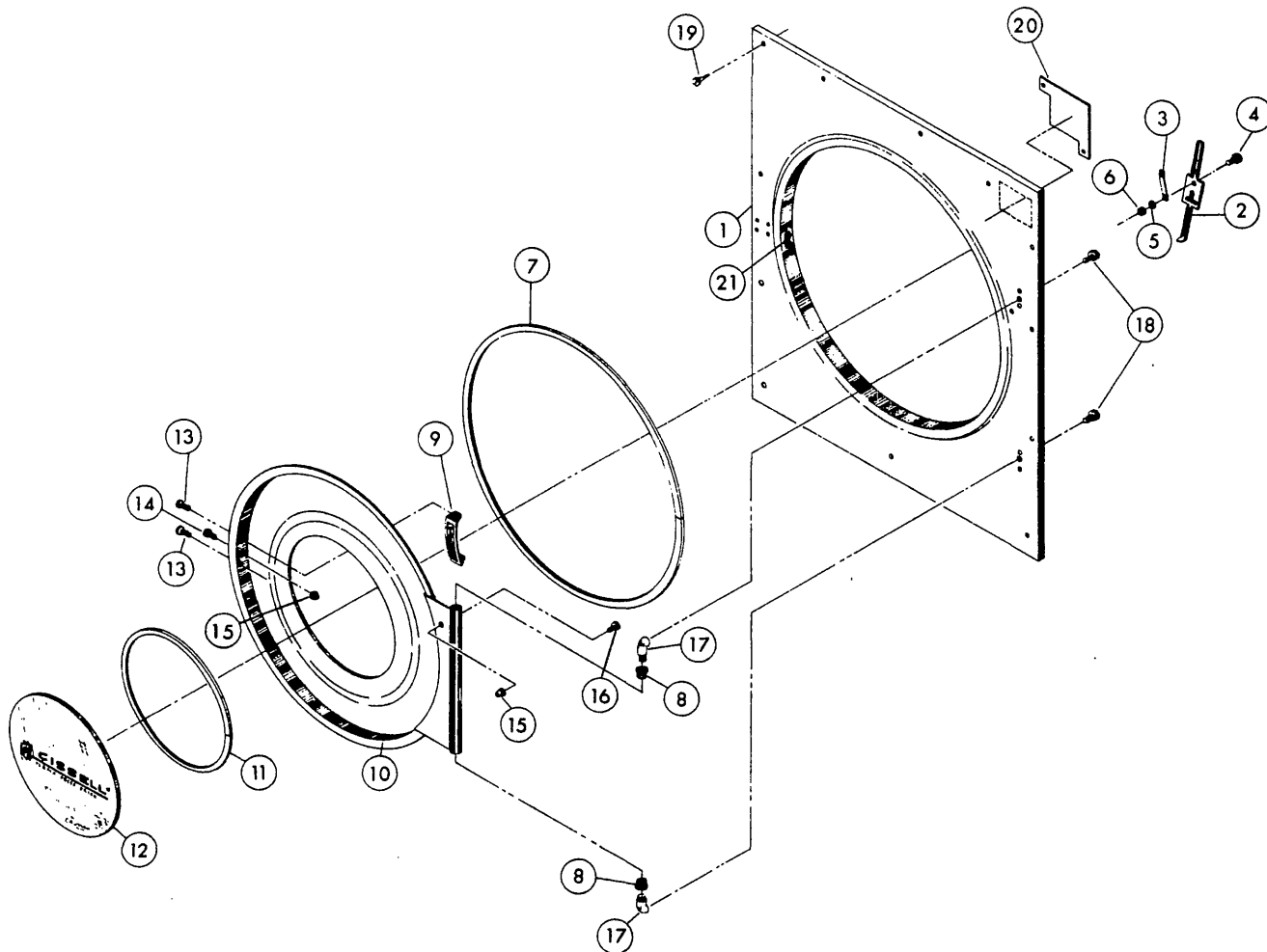
831 S. FIRST STREET • P. O. BOX 1143, LOUISVILLE, KY., U.S.A. 40201

Foreign Distributors: Address Correspondence Attention  
Export Department • Cable Code "CISSELL"  
Pacific Coast Office, 4823 W. Jefferson Blvd., Los Angeles

*Ask Your Distributor*

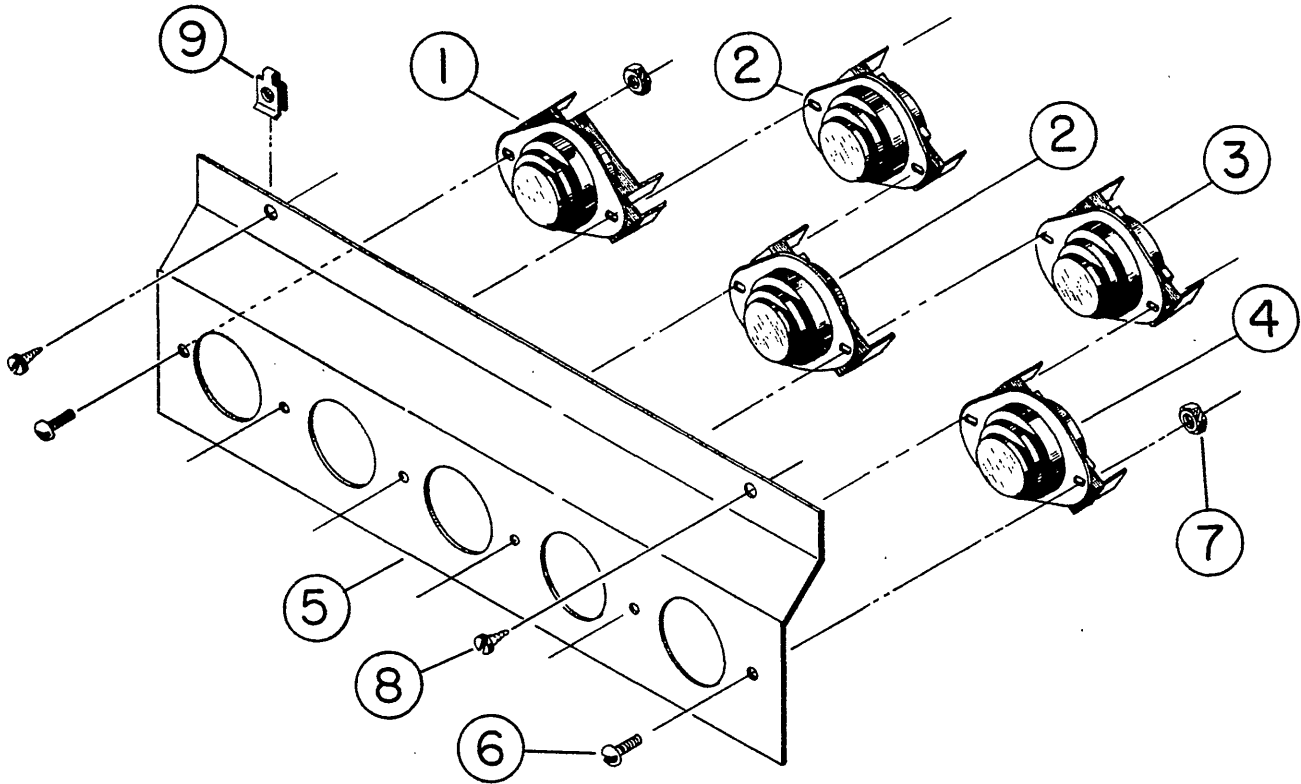
When ordering, specify part number and name.

**CISSELL DRYER  
FRONT PANEL & DOOR  
ASSEMBLY  
TU5810**



<u>Ref. No.</u>	<u>Part No.</u>	<u>Description</u>	<u>Ref. No.</u>	<u>Part No.</u>	<u>Description</u>
1	TU5534	Front Panel (For Coin Vault)	12	TU5110	Door Glass
	TU5941	Front Panel (For Time & Temperature)	13	TU3215	#10-32 x 3/8" Taptite Screw
2	TU2194	Door Switch Actuator	14	TU3163	Catch Pin
3	TU2105	Actuator Spring	15	TU4840	#10-32 Hex Crown Nut
4	M262	#8-32 Truss Head Screw	16	TU4839	#10-32 x 3/8" Machine Screw
5	FB187	#8 Split Lock Washer	17	TU2236	Hinge Posts
6	TU3266	#8-32 Hex Nut	18	TU2836	5/16"-18 x 1/2" Hex Hd Cap Scr
7	TU5288	Basket Door Seal	19	TU2878	#10 x 5/8" S.M.S.
8	PIF172	Delrin Bearing	20	TU6336	Cover Plate
9	TU2874	Basket Door Handle	21	TU7456	Door Catch Ass'y (W/Rivets)
10	TU5859	Basket Door		TU4827	Actuator Ass'y. Consists of Ref. Nos. 2, 3, 4, 5, & 6
11	TU1692	Rubber Gasket		TU5857	Basket Door Ass'y Consists of Ref. Nos. 7, 8, 9, 10, 11, 12, 13, 14, 15, & 16

CISSELL  
LAUNDRY DRYER  
THERMOSTAT ASS'Y.  
TU5408



ALL HARDWARE SOLD IN PACKAGES OF 6

Ref. No.	Part No.	Description
1	TU2045	Thermostat (Cool-Down)
2	TU3240	185° Thermostat (Safety & High)
3	TU5149	165° Thermostat (Medium)
4	TU5150	150° Thermostat (Low)
5	TU5143	Mounting Bracket
6	TU3624	#6-32 x 1/4" Round Head Machine Screw (6 req'd)
7	TU3400	#6-32 Hex Nut (6 req'd)
8	TU3218	#8 x 7/16" Self-Drill Screw (2 req'd)
9	TU6067	#8 Tinnerman Clip (2 req'd)

**W. M. CISSELL MANUFACTURING COMPANY**  
831 S. FIRST STREET • P. O. BOX 1143, LOUISVILLE, KY., U.S.A. 40201

Foreign Distributors: Address Correspondence Attention  
Export Department • Cable Code "CISSELL"  
Pacific Coast Office, 4823 W. Jefferson Blvd., Los Angeles

*Ask Your Distributor*

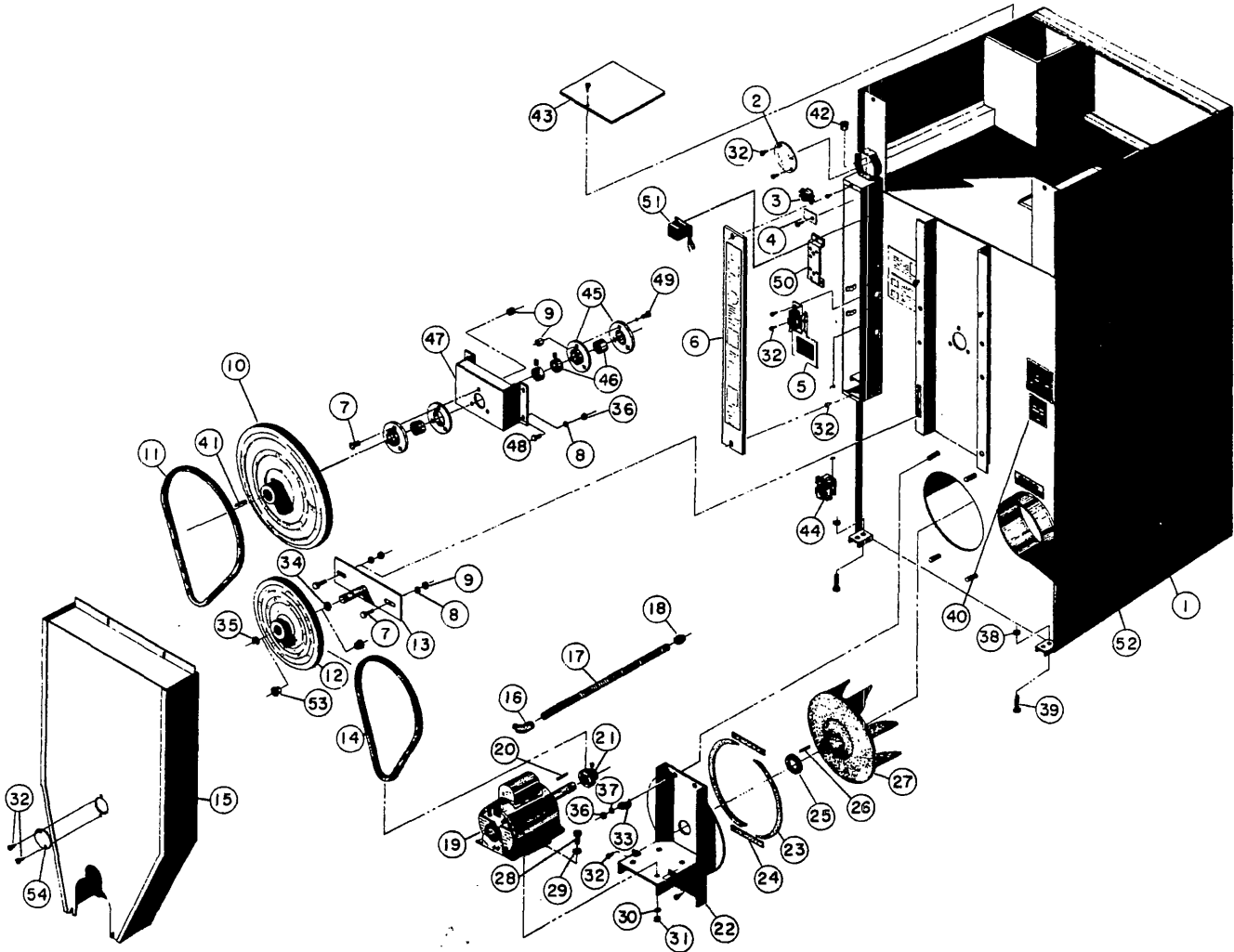
When ordering, specify part number and name.

**CISSELL DRYER**

**36BS30**

**REAR VIEW**

**PARTS**



ALL HARDWARE SOLD ONLY IN PACKAGES OF 6

Ref. No.	Part No.	Description	Ref. No.	Part No.	Description
1	TU5788	Jacket Welded Ass'y. (For Coin Vault)	27	TU5874	Fan Wheel, 60 Cy.
	TU7463	Jacket Welded Ass'y. (For Time & Temperature)		D13	Fan Wheel, 50 Cy.
2	TU2335	Electrical Box Cover	28	TU5439	5/16"-18 x 3/4" Hex Head Scr.
3	M155	Wire Harness Clamp	29	VS130	5/16" Cut Washer
4	TU2726	Strain Relief Plate	30	TU2814	5/16" Split Lock Washer
5	TU2423	Air Switch Ass'y. (See Page 21)	31	C249	5/16"-18 Hex Nut
6	TU5890	Control Box Cover	32	TU3218	7/16" Self-Drilling Screw
7	TU4936	3/8"-16 x 3/4" Carriage Bolt	33	TU6484	Cable Strap
8	TU3243	3/8" Internal Tooth Lock Washer	34	TU3273	Retaining Ring
9	TU3188	3/8"-16 Hex Nut (Nylok)	35	TU3247	Retaining Ring
10	TU5446	18" Basket Sheave	36	TU4787	3/8"-16 Hex Nut
11	TU5447	4L660 "V" Belt	37	VS134	3/8" Lock Washer
12	TU5217	14" Idler Sheave	38	TU4937	3/8"-16 Jam Nut
13	TU5213	Idler Bracket (W/Grease Fitting)	39	TU3211	3/8"-16 x 2 1/2" Leveling Bolt
14	TU4794	4L590 "V" Belt (60 Cy.)	40	F1116	Serial Number Plate
	TU6725	4L600 "V" Belt (50 Cy.)	41	TU5887	Key
15	TU5074	Rear Guard Ass'y. (Complete)	42	TU2372	Snap Bushing
	TU7466	Rear Guard Ass'y. (W/O Cover Plate)	43	TU5732	Mechanism Box Cover (Steam Dryer Only)
16	TU4791	Right Angle Connector	44	TU1984	Relay 120V 50/60 Cy. (2 Pole)
17	5046-41-292	Greenfield Cable (Specify 34" In Length)		TU1985	Relay 240V 50/60 Cy. (2 Pole)
18	TU4790	Straight Connector		TU3495	Relay 208V or 240V 50/60 Cy. (3 Pole)
19	See Motor List Page 6			TU3496	Relay 120V 50/60 Cy. (3 Pole)
20	TU5241	Key	45**	TU7018	Bearing Housing
21	TU3441	Motor Sheave, 60 Cy. W/Set Screw	46**	TU7019	Bearing & Collar Ass'y.
	TU5873	Motor Sheave, 50 Cy. W/Set Screw	47**	TU7162	Basket Bearing Bracket
22	TU5849	Motor Mount Weldment	48**	TU3246	3/8"-16 x 1" Hex Hd. Screw (4 Req'd)
23	TU2473	Side Gasket	49**	TU7178	3/8"-16 x 3/4" Rib Neck Bolt
24	TU2474	Top & Bottom Gasket	50	TU6220	Relay Mounting Plate (For Dryers with 2 or more relays)
25	TU2476	Felt Seal	51	*TU4659	Transformer (380/440/550V 50 or 60 Cy.)
26	TU4684	Key		*TU4660	Transformer (240/480V 60 Cy.)
			52	TU6783	Rating Name Plate (Electric Only)
			53	TU7184	Bronze Bushing (2 Req'd)
			54	TU7467	Cover Plate

\* (Transformers For Dryers With Higher Voltages Mounted In Transformer Box When 2 Or More Relays Are Used See Pg. 25)

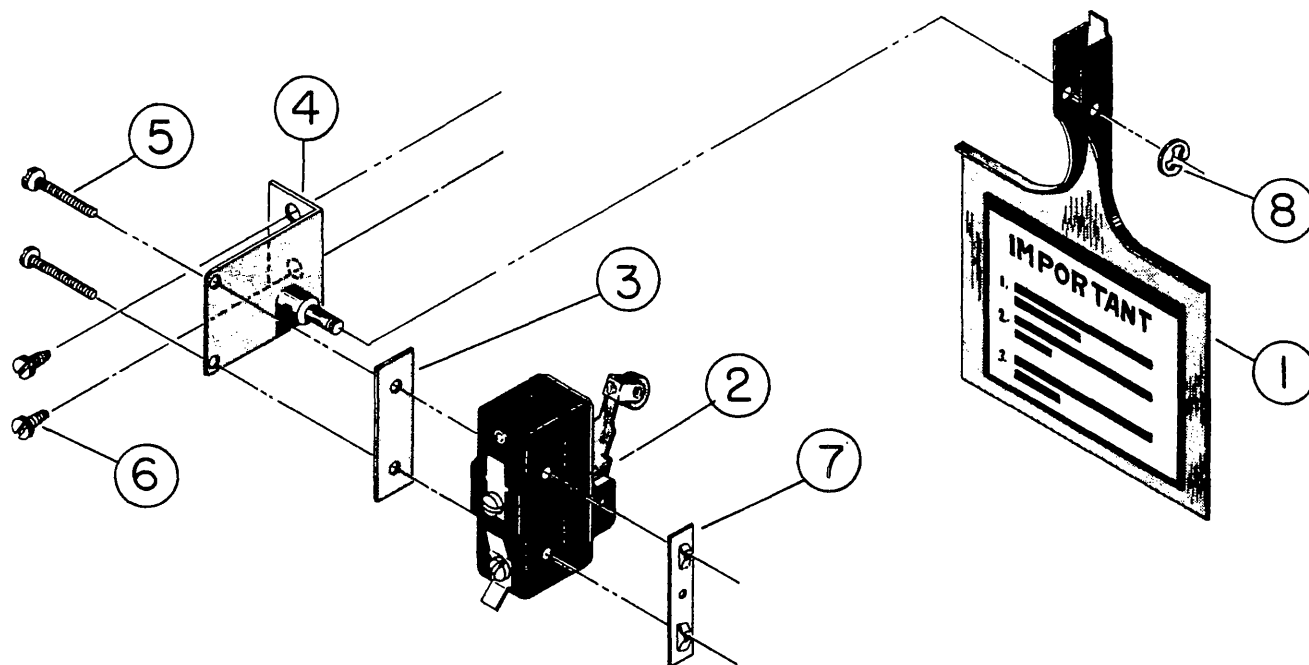
\*\* (For Dryers After Serial Number #3744)

**W. M. CISSELL MANUFACTURING COMPANY**  
 831 S. FIRST STREET • P. O. BOX 1143, LOUISVILLE, KY., U.S.A. 40201  
 Foreign Distributors: Address Correspondence Attention  
 Export Department • Cable Code "CISSELL"  
 Pacific Coast Office, 4823 W. Jefferson Blvd., Los Angeles

*Ask Your Distributor*

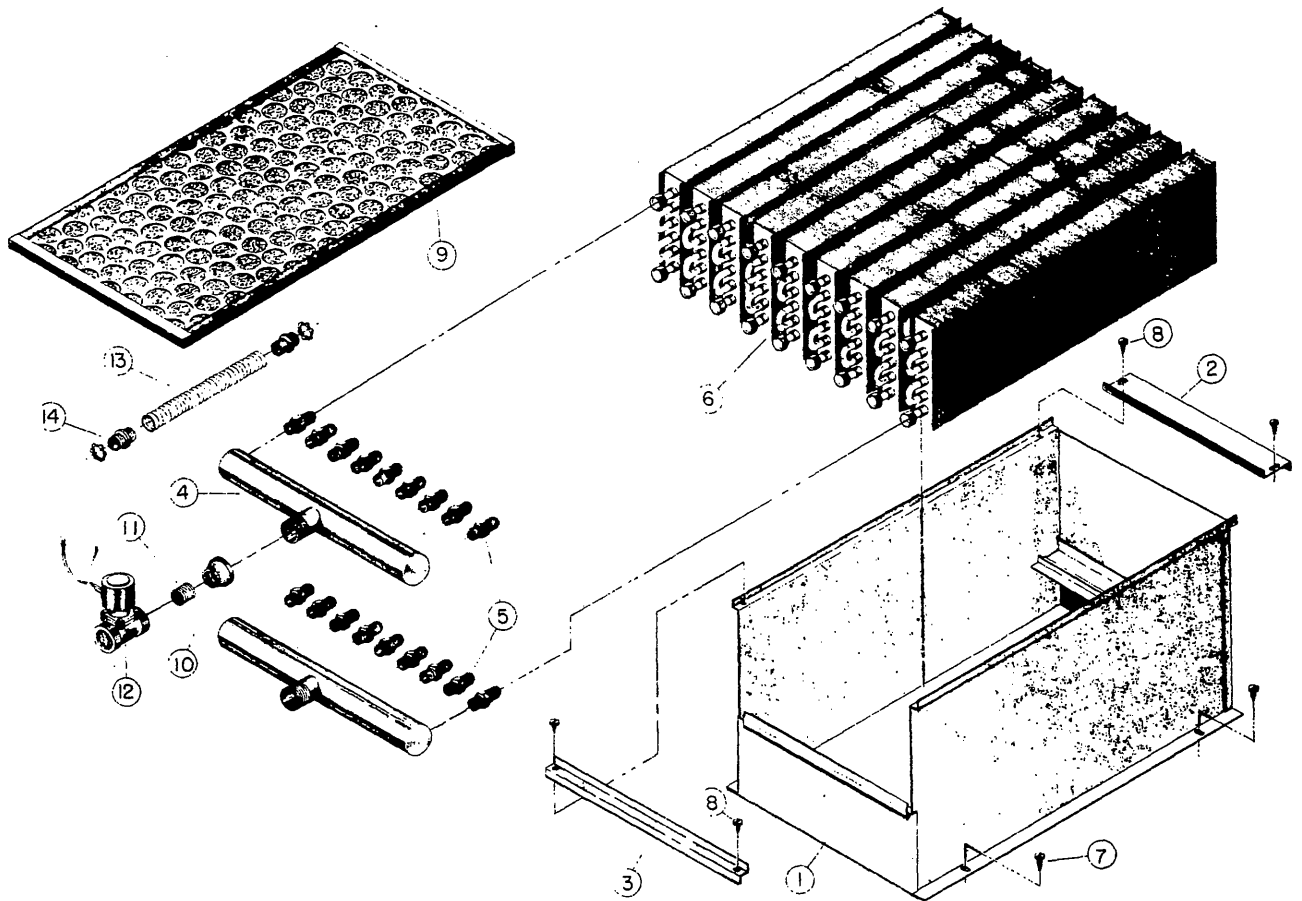
When ordering, specify part number and name.

**CISSELL**  
 28B30 36B30 LAUNDRY DRYER  
 28E30 36E30  
 AIR SWITCH ASSY.  
 TU2423



<u>REF. NO.</u>	<u>PART NO.</u>	<u>DESCRIPTION</u>
1	TU2463	Actuator Arm
2	TU1981	Air Switch
3	TU1770	Insulator
4	TU2462	Air Switch Bracket
5	TU3219	#6 x 1" S. M. S.
6	TU3218	#8 x 7/16" Self-Drill Screw
7	TU1771	#6 Tinnerman Twin Nut
8	F888	"E" Ring

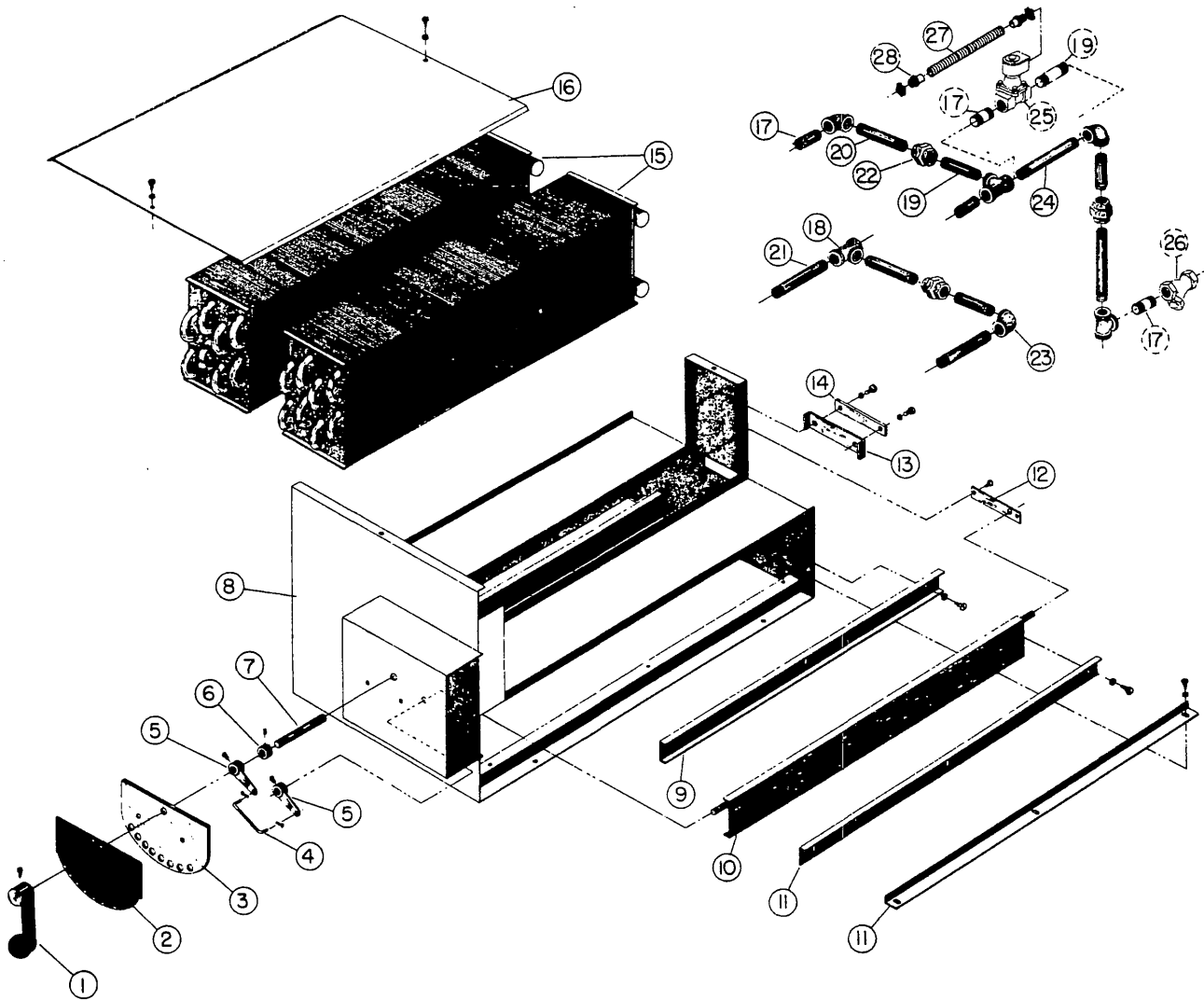
ADJUSTMENT OF AIR SWITCH SEE PAGE 11



**NINE SECTION STEAM BONNET ASSEMBLY**

- TU2435 9 Section Steam Bonnet Ass'y Without Solenoid Valve
- TU7461 9 Section Steam Bonnet Ass'y W/Solenoid Valve 120V
- TU7462 9 Section Steam Bonnet Ass'y W/Solenoid Valve 240V

<u>REF. NO.</u>	<u>PART NO.</u>	<u>DESCRIPTION</u>
1	TU2546	Housing Weldment
2	TU2547	Front Coil Retainer
3	TU2548	Rear Coil Retainer
4	TU2413	Steam Coil Manifold
5	TU2414	3/4"-16 x 3/8" Straight Connector (18 Req'd)
6	TU2405	Steam Coil (9 Req'd) (7 3/4" W x 1 5/8" H x 26" Lg.)
7	TU3209	#14 x 5/8" S. M. S.
8	TU3218	#8 x 7/16" Self-Drill Screw
9	TU2598	Air Filter 16" x 25" x 1"
10	TU2735	1" x 3/4" Reducer
11	TU4596	3/4" Close Pipe Nipple
12	TU6041	Solenoid Valve 120V 50/60 Cy.
Optional	TU5924	Solenoid Valve 240V 50/60 Cy.
	5046-41-292	Greenfield Cable (Specify 21" Long)
13	TU4790	1/2" Straight Connector (2 Req'd)
14	<u>Not Illustrated</u>	
	TU5939	240V Coil For TU5924
	TU7151	120V Coil For TU6041



**4 COIL BONNET**

- TU5908 4-Coil Laundry Bonnet Complete With Solenoid Valve (120V)
- TU5909 4-Coil Laundry Bonnet Complete With Solenoid Valve (240V)
- TU5910 4-Coil Laundry Bonnet Complete Without Solenoid Valve

<u>Ref. No.</u>	<u>Part No.</u>	<u>Description</u>	<u>Ref. No.</u>	<u>Part No.</u>	<u>Description</u>
1	TU6053	Lever Ass'y.	19	TU4601	3/4" x 3" Pipe Nipple (3 Req'd)
2	TU5708	Control Nameplate	20	TU5914	3/4" x 3 1/2" Pipe Nipple (2 Req'd)
3	TU5730	Control Mounting Plate (TU5731 Name Plate & Mounting Plate Ass'y.)	21	TU4610	3/4" x 5" Pipe Nipple (3 Req'd)
4	TU5587	Connecting Link	22	TU4600	3/4" Pipe Union (3 Req'd)
5	TU4581	Damper Arm	23	TU4605	3/4" Pipe Elbow (3 Req'd)
6	F215	Set Collar	24	TU2862	3/4" x 6 1/2" Pipe Nipple (1 Req'd)
7	TU4578	Control Rod	25	TU6041	Solenoid Valve 120V 50/60 Cy.
8	TU5904	Bonnet Weldment	26	TU5924	Solenoid Valve 240V 50/60 Cy.
9	TU5574	Adjustment Channel	27	TU2736	3/4" "Y" Strainer
10	TU6054	Damper Weldment	28	5046-41-292	Greenfield Cable (Specify 21" Long)
11	TU5576	Adjustment Angle		TU4790	1/2" Straight Connector (2 Req'd)
12	TU5571	Damper Bearing Plate		<u>Not Illustrated</u>	
13	TU28612	Coil Holder Plate		TU5644	Lower Left Filter Guide (Optional)
14	TU28611	Coil Holder Bar		TU5592	Lower Right Filter Guide (Optional)
15	TU1613	4 Coil Steam Coil		TU5724	Top Filter Guide (4 Req'd) (Optional)
16	TU5588	Top Plate		TU5711	Filter (4 Coil) (2 Req'd) (Optional)
17	TU4608	3/4" x 2 Pipe Nipple (2 Req'd)		TU5939	240V Coil For TU5924
18	TU4597	3/4" Pipe Tee (3 Req'd)		TU7151	120V Coil For TU6041



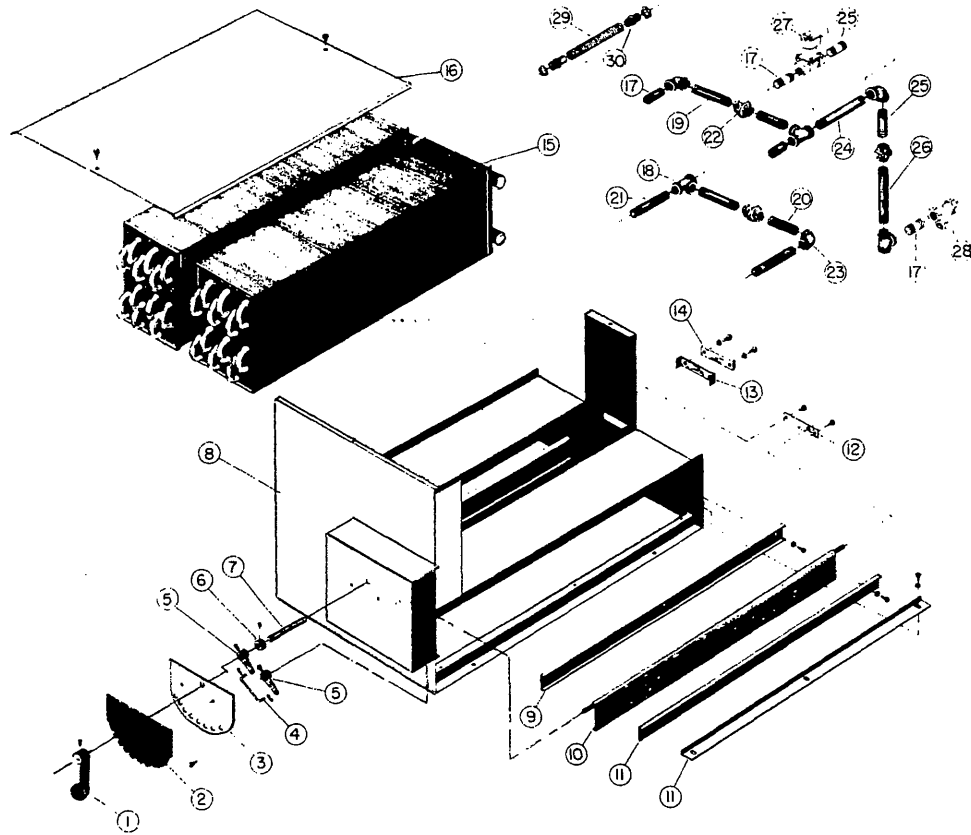
**W. M. CISSELL MANUFACTURING COMPANY**

831 S. FIRST STREET • P. O. BOX 1143, LOUISVILLE, KY., U.S.A. 40201

Foreign Distributors: Address Correspondence Attention  
Export Department • Cable Code "CISSELL"  
Pacific Coast Office, 4823 W. Jefferson Blvd., Los Angeles

*Ask Your Distributor*

When ordering, specify part number and name.



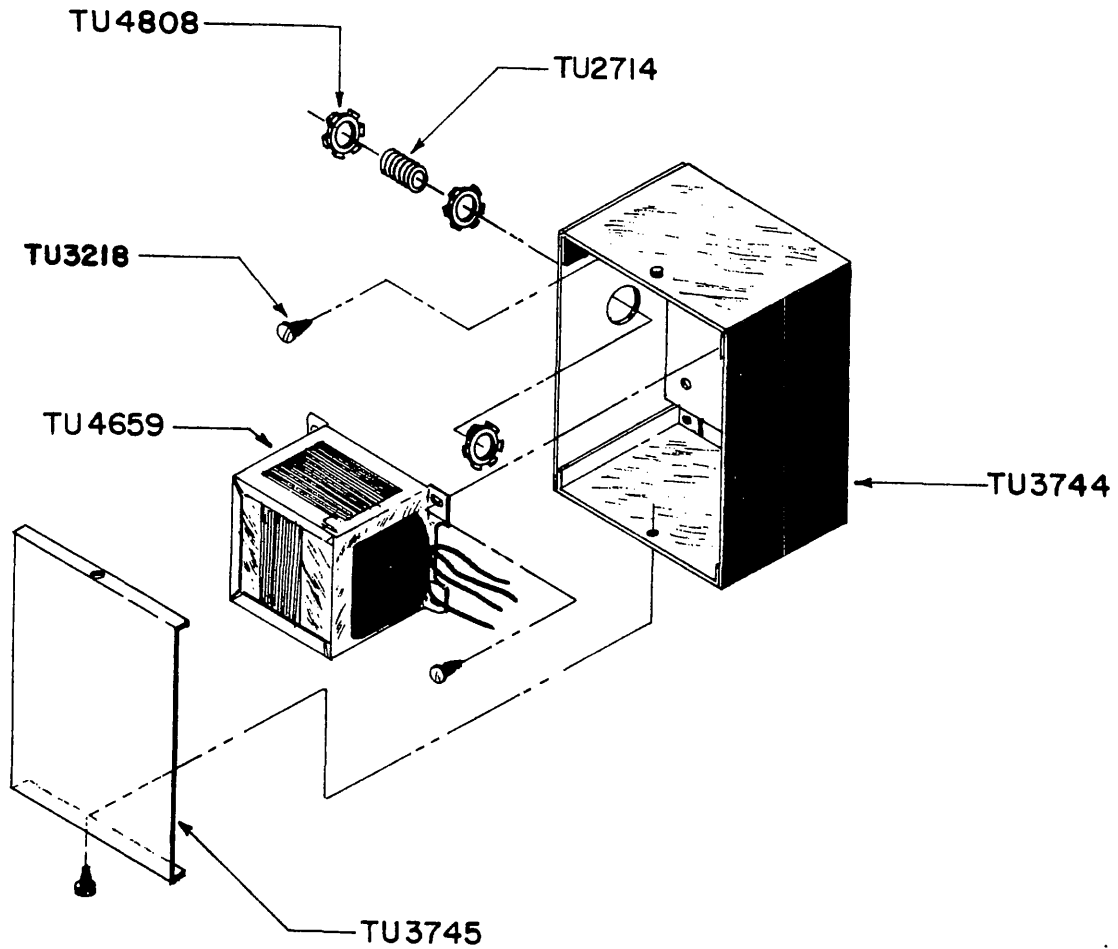
**6 COIL BONNET**

- TU5968 6-Coil Laundry Bonnet Complete With Solenoid Valve (120V)
- TU5969 6-Coil Laundry Bonnet Complete With Solenoid Valve (240V)
- TU5970 6-Coil Laundry Bonnet Complete Without Solenoid Valve

<u>Ref. No.</u>	<u>Part No.</u>	<u>Description</u>	<u>Ref. No.</u>	<u>Part No.</u>	<u>Description</u>
1	TU6053	Lever Ass'y.	22	TU4600	3/4" Union (3 Req'd)
2	TU5708	Control Name Plate	23	TU4605	3/4" Elbow (3 Req'd)
3	TU5730	Control Mounting Plate	24	TU2862	3/4" x 6 1/2" Pipe Nipple (1 req'd)
4	TU5587	Connecting Link	25	TU4601	3/4" x 3" Pipe Nipple (1 Req'd)
5	TU4581	Damper Arm	26	TU6202	3/4" x 8 3/16" Pipe Nipple (1 Req'd)
6	F215	Set Collar	27	TU6041	Solenoid Valve 120V 50/60 Cy.
7	TU4578	Control Rod	28	TU5924	Solenoid Valve 240V 50/60 Cy.
8	TU5905	Bonnet Weldment	29	TU2736	3/4" "Y" Strainer
9	TU5574	Adjustment Channel	30	5046-41-292	Greenfield Cable 1/2" (Specify 21" Long)
10	TU6054	Damper Weldment		TU4790	1/2" Straight Connector (2 Req'd)
11	TU5576	Adjustment Angle		<u>Not Illustrated</u>	
12	TU5571	Damper Bearing Plate		TU5939	240V Coil for TU5924
13	TU28612	Coil Holder Plate		TU7151	120V Coil for TU6041
14	TU28611	Coil Holder Bar		TU5644	Lower Left Filter Guide (Optional)
15	TU3172	6-Coil Steam Coil		TU5642	Lower Right Filter Guide (Optional)
16	TU5684	Top Plate		TU5724	Top Filter Guide (4 Req'd) (Optional)
17	TU4608	3/4" x 2" Pipe Nipple (Req'd)		TU5712	Filter (6 Coil) (2 Req'd) (Optional)
18	TU4597	3/4" Pipe Tee (3 Req'd)			
19	TU4606	3/4" x 4" Pipe Nipple (2 Req'd)			
20	TU5914	3/4" x 3 1/2" Pipe Nipple (2 Req'd)			
21	TU4610	3/4" x 5" Pipe Nipple (2 Req'd)			

## TRANSFORMER AND MOUNTING BOX

(Located on Rear of Dryer  
Below Control Box When  
2 Or More Relays Are Used)

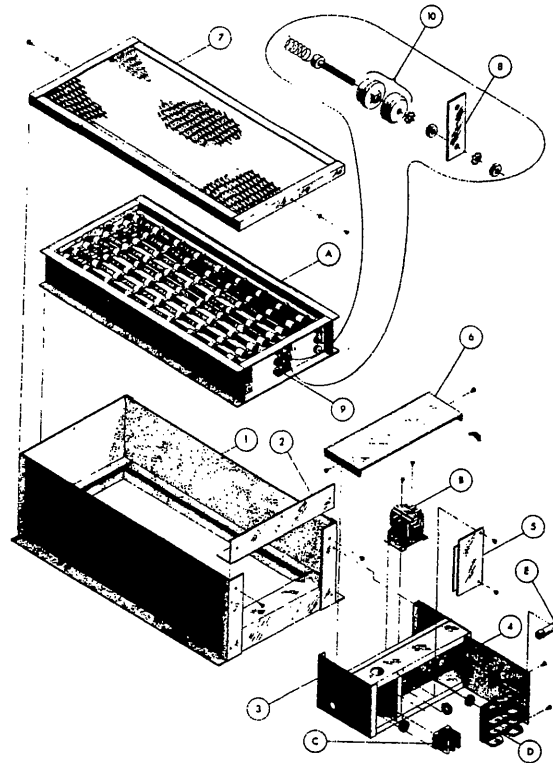


Part No.	Description
TU3744	Transformer Box
TU4659	Transformer
TU3745	Transformer Box Cover
TU2714	1/2" Nipple All Thread
TU4808	1/2 Appleton Nut
TU3218	#8x 7/16" Self Drill Screw

**W. M. CISSELL MANUFACTURING COMPANY**  
831 S. FIRST STREET • P. O. BOX 1143, LOUISVILLE, KY., U.S.A. 40201  
Foreign Distributors: Address Correspondence Attention  
Export Department • Cable Code "CISSELL"  
Pacific Coast Office, 4823 W. Jefferson Blvd., Los Angeles

*Ask Your Distributor*

**CISSELL**  
**28B30 & 36B30**  
**LAUNDRY DRYER**  
**ELECTRIC HEATING UNIT**



- (1) TU3103 Electric Furnace Housing
- (2) TU3102 Hold Down Plate
- (3) TU7138 Electric Box Welded Ass'y.
- (4) TU7149 Fuse Section Door Welded Ass'y.
- (5) TU7145 Terminal Section Cover Welded Ass'y.
- (6) TU7148 Top Cover
- (7) TU3104 Air Inlet Cover
- (8) TU3767 Contact Strap (4-Req'd)
- (9) TU3768 Contact Strap (1-Req'd)
- (10) TU3253 Insulators (Pkg of 6)

A-E \_\_\_\_\_ See Separate Sheet.

SEE SEPARATE SHEET FOR PICTURE

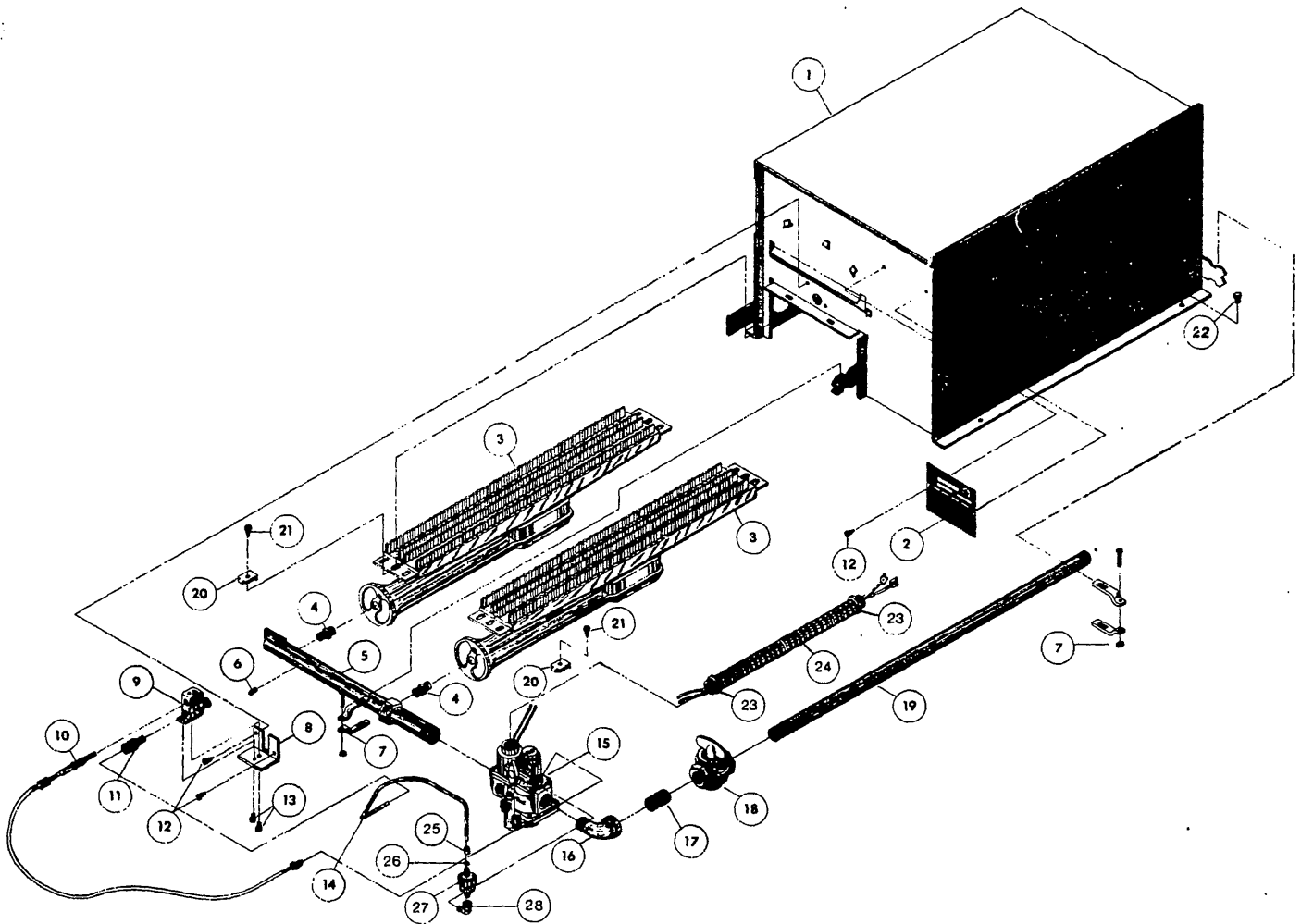
- A. TU6780 3 Bank Heating Unit 21 KW 240-480V  
 TU6968 3 Bank Heating Unit 21 KW 208-415V  
 TU6971 3 Bank Heating Unit 30 KW 208-415V (36B30's Only)  
 TU6946 3 Bank Heating Unit 30 KW 240-480V (36B30's Only)
- B. TU7240 Relay 120V-50 Amps (F. L.)  
 TU7004 Relay 120V-40 Amps (F. L.)  
 TU6781 Relay 240V-40 Amps (F. L.)  
 TU7063 Relay 240V-50 Amps (F. L.)  
 TU7255 Relay 240V-60 Amps (F. L.)
- C. TU5881 Terminal Block (1 Phase)  
 TU6327 Terminal Block (3 Phase)
- D. TU7257 Fuse Holder 600V or Less (Triple Pole)
- E. TU7071 Fuse 35 AMP 250-600V Nos  
 TU7072 Fuse 40 AMP 250-600V Nos  
 TU7090 Fuse 50 AMP 250-600V Nos  
 TU7476 Fuse 60 AMP 250-600V Nos

Rated	Input	Amperage	Minimum Size Supply Wire Based On 90°C Insulated Copper Conductor AWG/MCM
21KW	@ 240 - 1 Phase	88 AMPS	2
21KW	@ 208 - 1 Phase	101 AMPS	2
21KW	@ 240 - 3 Phase	51 AMPS	6
21KW	@ 208 - 3 Phase	58 AMPS	6
21KW	@ 415 - 3 Phase	29 AMPS	8
21KW	@ 480 - 3 Phase	25 AMPS	10
30KW	@ 240 - 3 Phase	72 AMPS	4
30KW	@ 208 - 3 Phase	83 AMPS	2
30KW	@ 415 - 3 Phase	42 AMPS	6
30KW	@ 480 - 3 Phase	36 AMPS	8

Maximum wire size which terminal will accept 240 volt - #1/0 AWG,  
 480 Volt - #1/0 AWG.

Dryer is to be connected to two separate circuits - one for the heaters  
 and one for the motor and controls. See nameplate for rated voltage.  
 Circuits are to be fused to agree with local electrical codes.

*Ask Your Distributor*



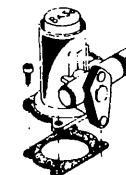
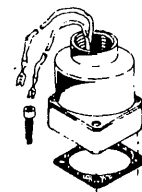
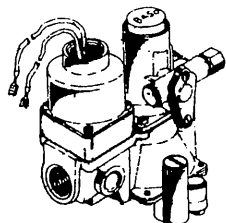
ALL HARDWARE SOLD ONLY IN PACKAGES OF 6

TU2227 GAS-FIRED HEATING UNIT

<u>Ref. No.</u>	<u>Part No.</u>	<u>Description</u>	<u>Ref. No.</u>	<u>Part No.</u>	<u>Description</u>
1	TU6483	Gas Fired Heating Unit	15		See Basotrol Valve Sheet
2	TU2393	Name Plate	16	OP291	1/2" Street Elbow
3	TU1802	Burner (All Gases)	17	TU2714	1/2" Close Nipple
4	TU2169	Gas Orifice (Specify Size)	18	TU6321	Valve 1/2" x 1/2" Gas Cock
5	TU6322	Gas Manifold, Natural, Mixed, Propane, & Butane	19	TU2724	1/2" x 25" Pipe
6	TU2224	1/8" Plug For Gas Manifold Test Hole	20	LB74	#14 Tinnerman Nut
7	TU2226	2 Piece Mounting Brackets	21	TU3209	#14 x 5/8 S. M. S.
8	TU3799	Pilot Support Bracket	22	CB36	1/4-20 x 1/2 Hex Hd Screw
9	TU3800	Pilot Burner (G-21)	23	F875	Straight Connector
10	TU157	Thermocouple Lead 18" (87D-18)	24	TU2425	3/8" Greenfield Cable W/ Connectors (12" Long)
11	TU145	Pilot Orifice (Specify Size)	25	SU65	1/4" Compression Nut
12	TU3218	8-32 x 7/16 S. M. S.	26	PU8	1/4" Compression Bead
13	TU4915	10-32 x 3/16 Rd. Hd. Machine Screw	27	TU7337	Gum Filter
14	TU6377	Gas Line 17 1/2"	28	FG142	90° Street Elbow

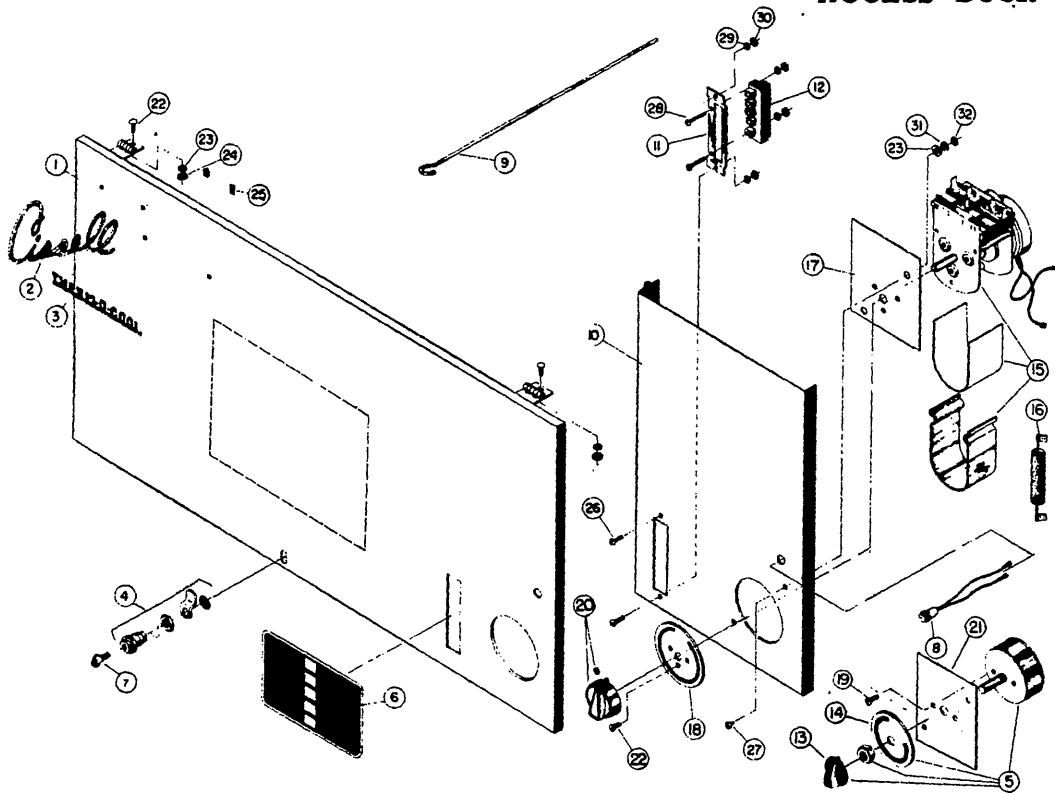
**BASOTROL GAS VALVES FOR  
ALL CISSELL GAS FIRED DRYERS**

1-6372



COMPLETE BASOTROL VALVE					REPLACEMENT ELECTRIC OPERATOR	REPLACEMENT POWER UNIT		
PETITE DRYERS	CISSELL PART NO.	BASOTROL PART NO.	TYPE GAS	VOLTAGE	CISSELL NUMBER	BASOTROL NUMBER	CISSELL NUMBER	BASOTROL NUMBER
		TU3701	G92YAA-1	LIQUID PETROLEUM	120V	TU3705	R54889-122A	TU3707
	TU3702	G92YBA-1	LIQUID PETROLEUM	240V	TU3711	R54889-122B	TU3707	"
	TU3703	G93YAA-1	NATURAL, MIXED	120V	TU3705	R54889-122A	TU3707	"
	TU3704	G93YBA-1	NATURAL, MIXED	240V	TU3711	R54889-122B	TU3707	"
OTHER DRYERS	TU3818	G93AAA-8	NATURAL, MIXED, MFG.	120V	TU3832	R54889-144A	TU3838	R54319-59
	TU3819	G93ABA-6	NATURAL, MIXED, MFG.	240V	TU3833	R54889-143A	TU3838	"
	TU3817	G92CAA-11	LIQUID PETROLEUM	120V	TU3836	R54889-151A	TU3838	R54319-59
	TU3820	G92CBA-8	LIQUID PETROLEUM	240V	TU3837	R54889-150B	TU3838	"

28B30                      CISSELL                      36B30  
 28E30                         36E30  
**SINGLE TIMER CONTROL PANEL  
 AND  
 ACCESS DOOR PARTS**



ALL HARDWARE SOLD ONLY IN PACKAGES OF 6

<u>Ref. No.</u>	<u>Part No.</u>	<u>Description</u>	<u>Ref. No.</u>	<u>Part No.</u>	<u>Description</u>
1	TU5759	Top Access Panel (For 28B30 W/8 Stage Control)	15	TU4864	60 Min. Haydon Timer
	TU5069	Top Access Panel (28B30 & 28E30)	16	TU2428	120-60-1 Double Switch
	TU5078	Top Access Panel (36B30 & 36E30)	17	TU6019	Resistor (Used On 240-60-1 Timer)
	TU5821	Top Access Panel (36B30 W/ 8 Stage Control)	18	TU5444	Timer Mounting Plate (60 Cy.)
2	TU2610	Cissell Script	19	TU5444	60 Min. Dial
3	TU3656	Therm-O-Cool Name Plate	20	LB68	#8-32 x 3/8" Flat Hd. Screw
4	TU4822	Lock #3186	21	TU2555	Knob Complete
5	TS1021	50 Cy. Timer (56 Min.)	22	TU6323	50 Cy. Timer Mtg. Plate
6	TU6619	Push Button Control Plate	23	TU3479	#10-32 x 7/16" Truss Hd
7	TU2844	Key JWC2	24	P104	1/4" Cut Washer
8	TU5421	Pilot Light 120V	25	TU2842	#10-32 Hex Nut
	TU5639	Pilot Light 240V	26	TU3137	Push On Speed Nut
9	TU5739	Support Rod	27	TU3624	#6-32 x 1/4" Round Head Screw
10	TU6018	Single Timer Mtg. Plate	28	TU7241	#8 x 1/2" S. M. S.
11	TU5153	Push Button Plate	29	SV136	#6-32 x 15/16" Round Head Screw
12	TU5106	Push Button Switch	30	M270	#6 Int. Tooth Lock Wash.
13	T148	Knob	31	TU3400	#6-32 Hex Nut
14	TU5000	Dial Face (For 50 Cy. Timer)	32	FB187	#10 Lock Washer
				TU3266	#8-32 Hex Nut

**W. M. CISSELL MANUFACTURING COMPANY**

831 S. FIRST STREET • P. O. BOX 1143, LOUISVILLE, KY., U.S.A. 40201

Foreign Distributors: Address Correspondence Attention  
Export Department • Cable Code "CISSELL"  
Pacific Coast Office, 4823 W. Jefferson Blvd., Los Angeles

*Ask Your Distributor*

When ordering, specify part number and name.

28B30

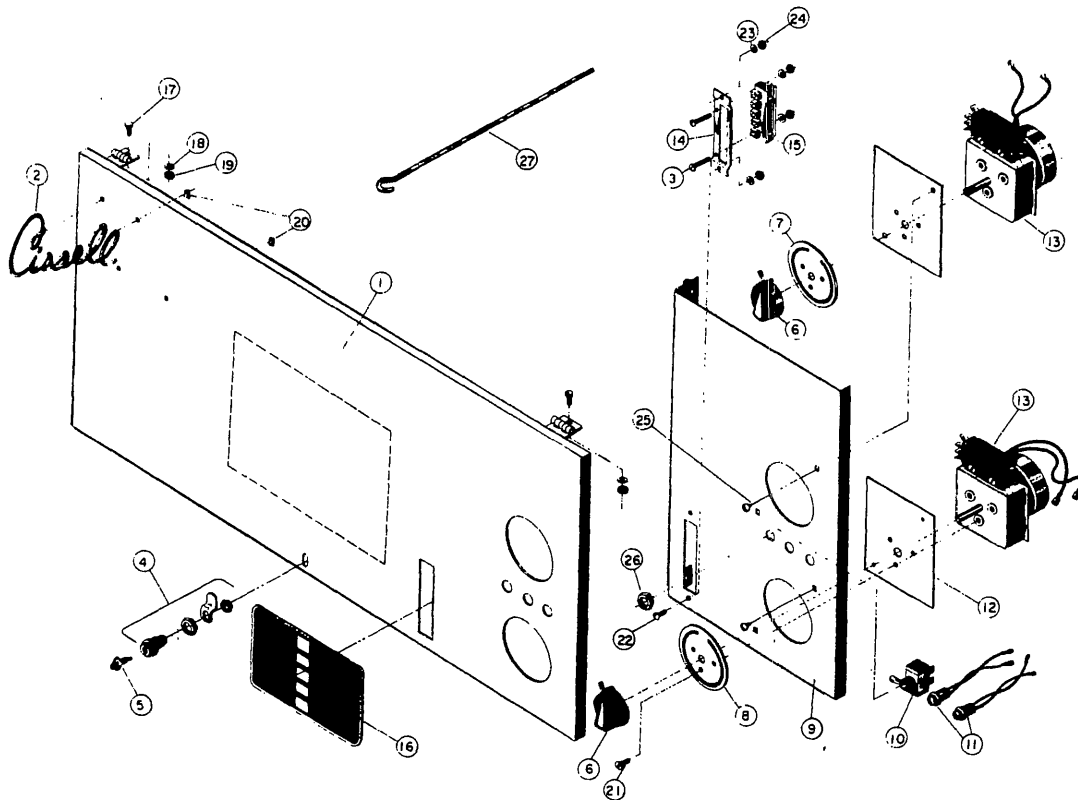
CISSELL

36B30

28E30

36E30

**DOUBLE TIMER CONTROL PANEL  
AND  
ACCESS DOOR PARTS**

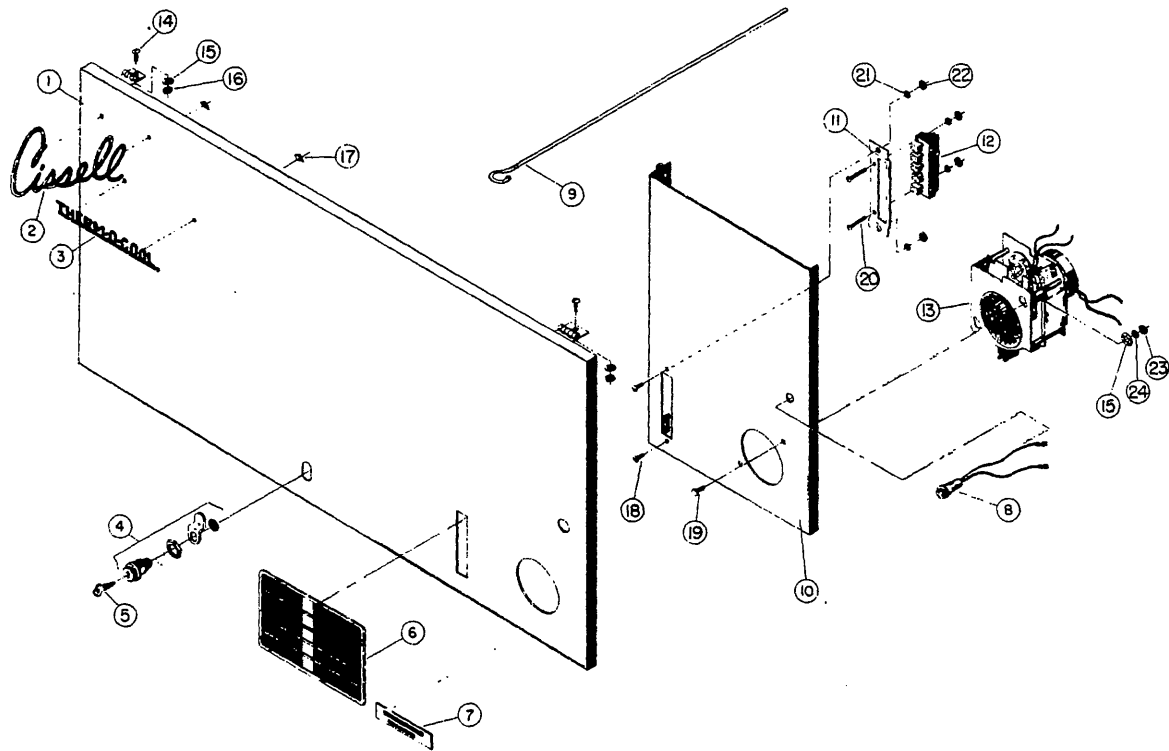


ALL HARDWARE SOLD ONLY IN PACKAGES OF 6

<u>Ref. No.</u>	<u>Part No.</u>	<u>Description</u>	<u>Ref. No.</u>	<u>Part No.</u>	<u>Description</u>
1	TU5753	Top Access Panel (28B30 & 28E30)	13	TU6110	Timer 0-15 120/60 Cy.
	TU5819	Top Access Panel (36B30 & 36E30)		TU6109	Timer 0-60 120/60 Cy.
	TU6314	Top Access Panel W/8 Stage Steam (36B30 Only)		TU5843	Timer 0-15 240/60 Cy.
2	TU2610	Cissell Script		TU5842	Timer 0-60 240/60 Cy.
3	SV136	#6-32 x 15/16" Rd Head Screw		TU6082	Timer 0-15 240/50 Cy.
4	TU4822	Lock #3186		TU6083	Timer 0-60 240/50 Cy.
5	TU2844	Key JWC2	14	TU5153	Push Button Plate
6	TU2555	Knob Assy.	15	TU5106	Push Button Switch
7	TU5445	Dial 0-15	16	TU6619	Push Button Control Plate
8	TU5444	Dial 0-60	17	TU3479	#10-32 x 7/16" Truss Head Screw
9	TU6016	Double Control Panel Weldment	18	P104	1/4" Cut Washer
10	FG147	Toggle Switch	19	TU2842	#10-32 Hex Nut
11	TU5421	Pilot Light 120V	20	TU3137	Push On Speed Nut
	TU5639	Pilot Light 240V	21	LB68	#8-32 x 3/8" Flat Head Scr.
12	TU6019	Timer Adapter Plate	22	TU3624	#6-32 x 1/4" Rd Head Scr.
			23	M270	#6 Int. Tooth Lock Washer
			24	TU3400	#6 Int. Hex Nut
			25	TU7241	#8 x 1/4" S. M. S.
			26	TU3805	15/32"-32 Locking Hex Nut
			27	TU5739	Support Rod



28B30                      CISSELL                      36B30  
 28E30                         36E30  
 SINGLE COIN METER CONTROL PANEL  
 AND  
 ACCESS DOOR PARTS



ALL HARDWARE SOLD ONLY IN PACKAGES OF 6

<u>Ref. No.</u>	<u>Part No.</u>	<u>Description</u>	<u>Ref. No.</u>	<u>Part No.</u>	<u>Description</u>
1	TU5069	Access Door (28B30 & 28E30)	13		Coin Meter (Specify Voltage & Coin Denomination)
	TU5078	Access Door (36B30 & 36E30)	14	TU3479	#10-32 x 7/16" Truss Head Scr.
2	TU2610	Cissell Script	15	P104	1/4" Cut Washer
3	TU3656	Therm-o-cool Name Plate	16	TU2842	#10-32 Hex Nut
4	TU4822	Lock Knob #3186	17	TU3137	Push-On Speed Nut
5	TU2844	Key JWC2	18	TU3624	#6-32 x 1/4" Machine Screw
6	TU6619	Push Button Control Plate	19	TU4958	#8-32 x 3/8" Machine Screw
7	TU2683	Add Coin (Name Plate)	20	SV136	#6-32 x 15/16" Rd Head Scr.
8	TU5421	Pilot Light 120V	21	M270	#6 Int. Tooth Lock Washer
	TU5639	Pilot Light 240V	22	TU3400	#6-32 Hex Nut
9	TU5739	Support Rod	23	TU3266	#8-32 Hex Nut
10	TU6018	Single Coin Meter Mtg. Plate	24	FB187	#10 Lock Washer
11	TU5153	Push Button Plate			
12	TU5106	Push Button Switch			

**W. M. CISSELL MANUFACTURING COMPANY**

831 S. FIRST STREET • P. O. BOX 1143, LOUISVILLE, KY., U.S.A. 40201

Foreign Distributors: Address Correspondence Attention  
Export Department • Cable Code "CISSELL"  
Pacific Coast Office, 4823 W. Jefferson Blvd., Los Angeles

*Ask Your Distributor*

When ordering, specify part number and name.

28B30

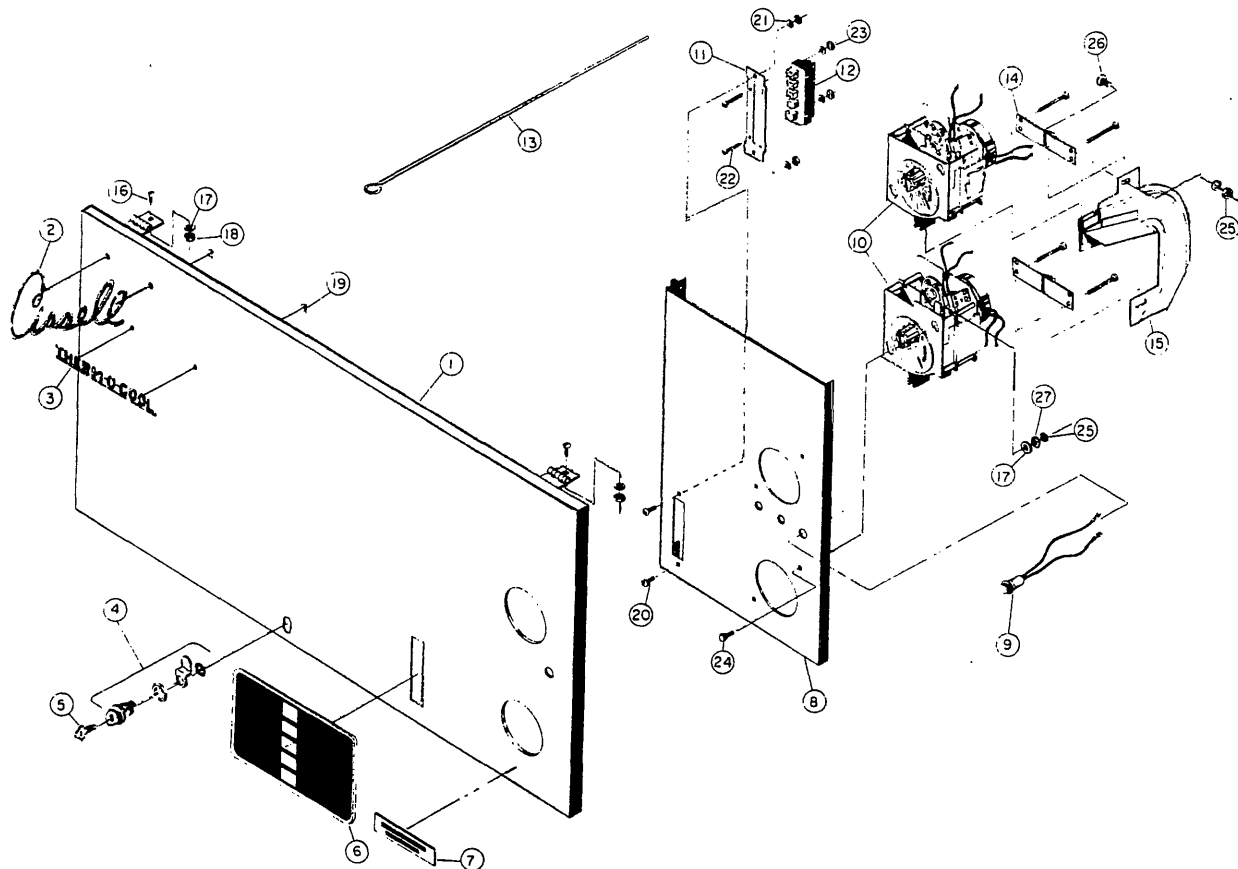
CISSELL

36B30

28E30

36E30

**DOUBLE COIN METER CONTROL PANEL  
AND  
ACCESS DOOR PARTS**



ALL HARDWARE SOLD ONLY IN PACKAGES OF 6

<u>Ref. No.</u>	<u>Part No.</u>	<u>Description</u>	<u>Ref. No.</u>	<u>Part No.</u>	<u>Description</u>
1	TU5752	Top Access Panel (28B30 & 28E30)	13	TU5739	Support Rod
	TU6093	Top Access Panel (36B30 & 36E30)	14	TU5286	Coin Chute Mtg. Bracket
2	TU2610	Cissell Script	15	TU5125	Coin Meter Chute
3	TU3656	Therm-o-cool Name Plate	16	TU3479	#10-32 x 7/16" Truss Head Screw
4	TU4822	Lock #3186	17	P104	1/4" Cut Washer
5	TU2844	Key JWC2	18	TU2842	#10-32 Hex Nut
6	TU6619	Push Button Control Plate	19	TU3137	Push-In Speed Nut
7	TU2683	Add Coin (Name Plate)	20	TU3624	#6-32 x 1/4" Rd Head Screw
8	TU6016	Double Control Panel Weldment	21	M270	#6 Int. Tooth Lockwasher
9	TU5421	Pilot Light 120V	22	SV136	#6-32 x 15/16" Rd Head Scr.
	TU5639	Pilot Light 240V	23	TU3400	#6-32 Hex Nut
10		Coin Meter (Specify Voltage & Coin Denomination)	24	TU4958	#8-32 x 3/8" Machine Screw
			25	TU3266	#8-32 Brass Nut
11	TU5153	Push Button Plate	26	M262	#8-32 x 3/8" Truss Head Screw
12	TU5106	Push Button Switch	27	FB187	#10 Split Lockwasher

TROUBLE SHOOTING CHART FOR 28BS30, 36BS30

GAS-----ELECTRIC-----STEAM

Trouble	Cause	Remedy
Fan Motor Won't Start	Power Off	Turn Power On
	Line Fuse Blown	Replace Fuse
	Defective Timer	Greenwald Series 5900 - See Greenwald Service Manual
	Defective Motor	Replace or Take To Authorized Service Station For Repairs
	Door Switch Out Of Adjustment	Adjust Door Switch For Proper Operation
	Door Switch Or Push Button Switch Defective	Replace Switch
	Cool-Down Thermostat Defective	Replace Thermostat
	Loose Or Broken Wire	Check for Continuity
Basket Won't Revolve - Gas or Electric Heating Unit Does Operate	V-Belt Broken	Replace V-Belt
	V-Belt Loose	Adjust Belt Tension
	Motor Pulley Loose	Tighten Set Screws
	Basket Overloaded	Remove Load
Basket Revolves Gas or Electric Unit Does Not Operate	Elec. Power To Heating Unit Turned Off	Turn Power On
	Line Fuse or Heater Circuit Fuse To Heating Unit	Replace Fuse
	Gas Turned Off	Open Manual Gas Valve
	Gas Pressure Too Low	Check manifold pressure & adjust to pressure specified on rating plate. If this pressure cannot be obtained, have gas supplier check main pressure
	Defective Thermostat	Replace Thermostat
	Defective Safety Over-heat Thermostat	Replace Thermostat
	Defective Gas Valve	Replace Solenoid Unit
	Defective Power Relay For Elec. Heating Unit	Replace Relay

TROUBLE	CAUSE	REMEDY
Basket won't revolve- Gas or Electric Heating Unit won't operate	Loading door open	Close door
	Lint compartment door open	Close door
	Air Switch not operating	Clean lint drawer Check back draft damper for foreign objects, lint accumulation or other causes that may prevent damper from opening. Check duct work for lint buildup. Check installation sheet to insure that duct work and make up air openings are adequately sized.  Check exhaust outlet. If a screen has been improperly installed on the outlet, it may be clogged with lint or frozen over in the winter.
	Air Switch out of adjustment	See Air Switch Adjustment Sheet in Service Manual
	Air Switch defective	Replace Switch
	Door Switch out of adjustment	See Door Switch Adjustment Sheet in Service Manual
	Door Switch defective	Replace Switch
Main burners burning with yellow flame	Defective relay	Replace Relay
	Air shutter closed	Open air shutters on front of burners to give sharp blue flame
	Dirt in burner	Remove burners and blow out with compressed air
	Gas pressure too high	Check manifold pressure and adjust to pressure specified on rating plate.
Pilot burner won't light	Orifice too large	Check with gas supplier to insure that gas being used is the same as that specified on the rating plate. If not, contact the factory for new orifices giving proper gas specifications.
	Gas turned off	Open manual gas valve
	Pilot orifice blocked	Remove and clean.
	Gum filter clogged	Replace with new filter

TROUBLE	CAUSE	REMEDY
Excessive noise or vibration	Dryer not level	Check leveling bolts to make sure of good contact between all four bolts and floor. Adjust bolts to level Dryer.
	Basket out of adjustment	Adjust basket. See basket adjustment sheet in service manual.
	Foreign object stuck in basket perforation and dragging on sweep sheets	Remove
	Loose object in basket	Remove
	V-Belt too loose, too tight, or rubbing fan guard	Adjust and align belt to eliminate rubbing.
	Motor pulley loose	Tighten set screw.
	Fan Blade loose	Check clearance between fan blade and inner edge of inlet ring. Adjust to 1/2" and tighten set screws on fan blade.
No Steam to steam bonnet	Trap installed incorrectly	Check trap for inlet and outlet markings. Install trap according to markings.
	Supply line valve closed	Open Valves in supply and in the return lines
	Check valve installed incorrectly	Check for inlet and outlet marking on check valve, and invert if necessary.
	Strainer clogged	Remove plug and blow down strainer or remove and clean thoroughly if heavily clogged.
Water in steam line	Steam piping installed incorrectly	Check piping per steam installation instructions.
	Trap not functioning	Check trap for size and capacity. If dirty and sluggish-clean thoroughly or replace. Check return line for high back pressure, or another trap charging against the trap functioning improperly.

TROUBLE	CAUSE	REMEDY
Dryer does not heat	Line Fuse or Heater Circuit Fuse Blown To Heating Unit	Replace Fuse
	Power to Heating Unit turned off	Turn on Power
	Pilot burner out	Relight pilot burner
	Main burners not operating	Refer to section in this chart covering this problem
	Thermostat defective	Replace
	Gas pressure too low	Check manifold pressure and adjust to pressure specified on rating plate.
	Gas turned off	Open manual gas valve and light pilot burner.
Improper orifices	Dryer is orificed for type of gas specified on rating plate. Check with gas supplier to determine specifications for gas being used. If different from rating plate, contact factory and obtain proper orifices.	
Dryer too hot	Thermostat defective	Replace thermostat
	Inadequate make up air	Check installation sheet in service manual for recommended minimum make up air opening.
	Gas pressure too high	Check manifold pressure and adjust to pressure specified on rating plate.
	Partially restricted or inadequately sized exhausting system	Check installation sheet in service manual for recommended sizes. Check for and remove obstructions or lint build up from duct work