

Mod.	From serial no. A partir máq. n°
HS-6017	2.120.001
EH040	1.470.001

Parts Handbook for Washers
Manual de Despiece para lavadoras
Notice Vues Eclatées pour laveuses
HS-6017 / EH040

GIRBAU, S.A.

Crta de Manlleu, km. 1
08500 VIC (Barcelona) • SPAIN
Tel. 34 93 8861100
Fax 34 93 8860785
girbau@girbau.es
www.girbau.com

USA, CANADA:

CONTINENTAL GIRBAU Inc.

2500 State Road 44
WI 54904 Oshkosh • USA
Tel. 1(920) 231-8222
Fax 1(920) 231-4666
info@cont-girbau.com
www.cont-girbau.com

Parts Handbook
Despiece
Vues Eclatées

HS-6017
EH040

NOTES TO USE PARTS LIST

Sheets no. 1,2,3,4,5,6,12,16:
Are common for all versions.

Sheets no. 7, 13:
Logi Control

Sheets no. 7, 14:
Coin Control

Sheets no. 8, 15:
Inteli Control

Sheet no. 9:
Logi Control & Coin Control
with high temperature valve

Sheet no. 10: Inteli Control
with high temperature valve

Sheet no. 11: Inteli Control
with third water inlet

Sheet no. 17
Electric heating

Sheet no. 18
Steam heating

ACLARACIONES PARA EL USO DEL DESPIECE

Hojas nº 1,2,3,4,5,6,12,16:
Son comunes a todas las
variantes.

Hojas nº 7, 13:
Logi Control

Hojas nº 7, 14:
Coin Control

Hojas nº 8, 15:
Inteli Control

Hoja nº 9:
Logi Control y Coin Control
con válvula alta temperatura

Hoja nº 10: Inteli Control con
válvula alta temperatura

Hoja nº 11: Inteli Control con
tercera entrada de agua

Hoja nº 17
Calefacción eléctrica

Hoja nº 18
Calefacción a vapor

NOTES UTILISATION VUES ECLATEES

Feuilles no. 1,2,3,4,5,6,12,16:
Sont communes à toutes les
versions.

Feuilles no. 7, 13:
Logi Control

Feuilles no. 7, 14:
Coin Control

Feuilles no. 8, 15:
Inteli Control

Feuille no. 9:
Logi Control et Coin Control
avec vanne haute
température

Feuille no. 10: Inteli Control
avec vanne haute
température

Feuille no. 11: Inteli Control
avec troisième arrivée d'eau

Feuille no. 17
Chauffage électrique

Feuille no. 18
Chauffage à vapeur

VERY IMPORTANT:

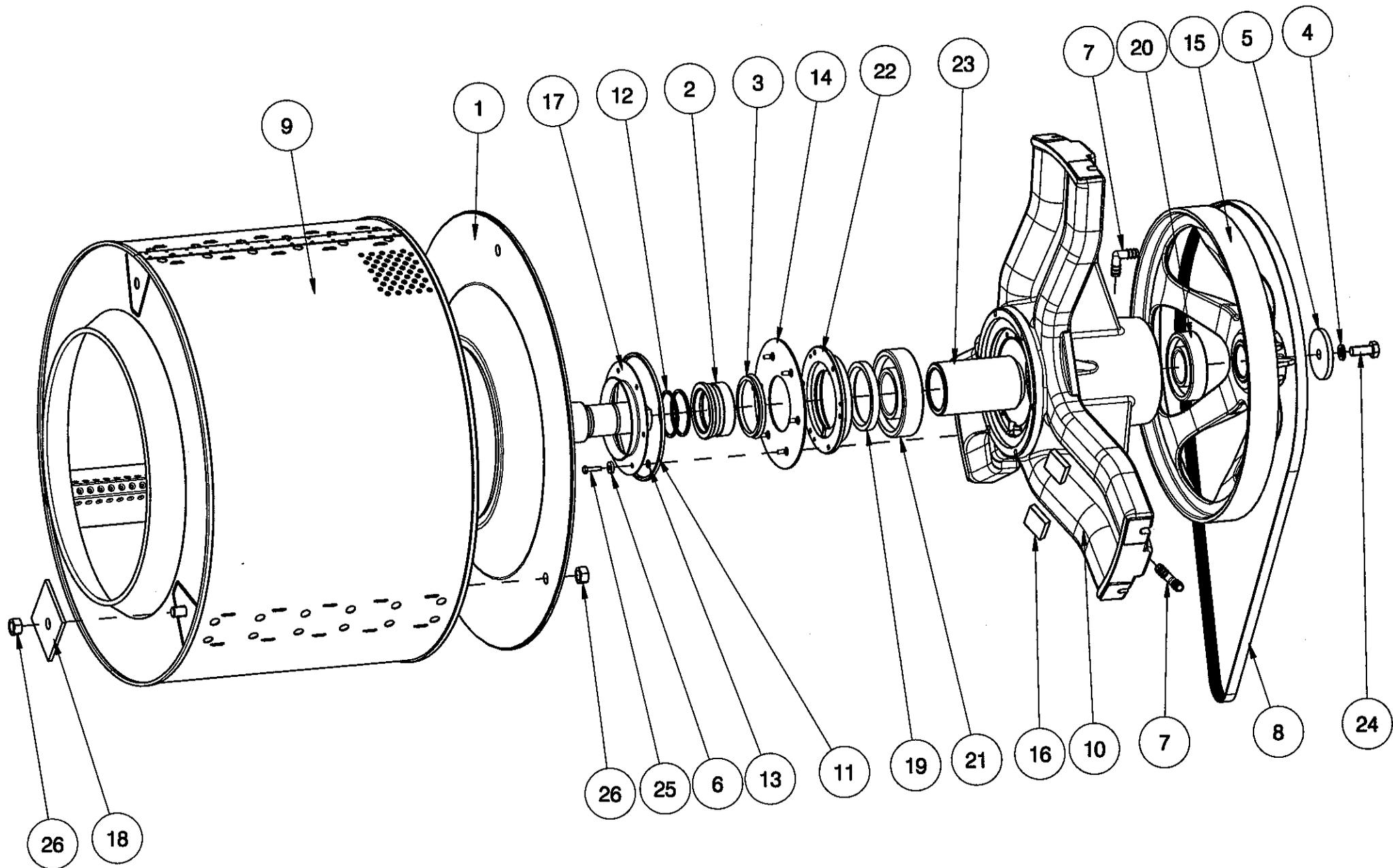
Before ordering parts be
sure they have not been
modified. Check it on
modification sheet, after
the corresponding sheet.

MUY IMPORTANTE:

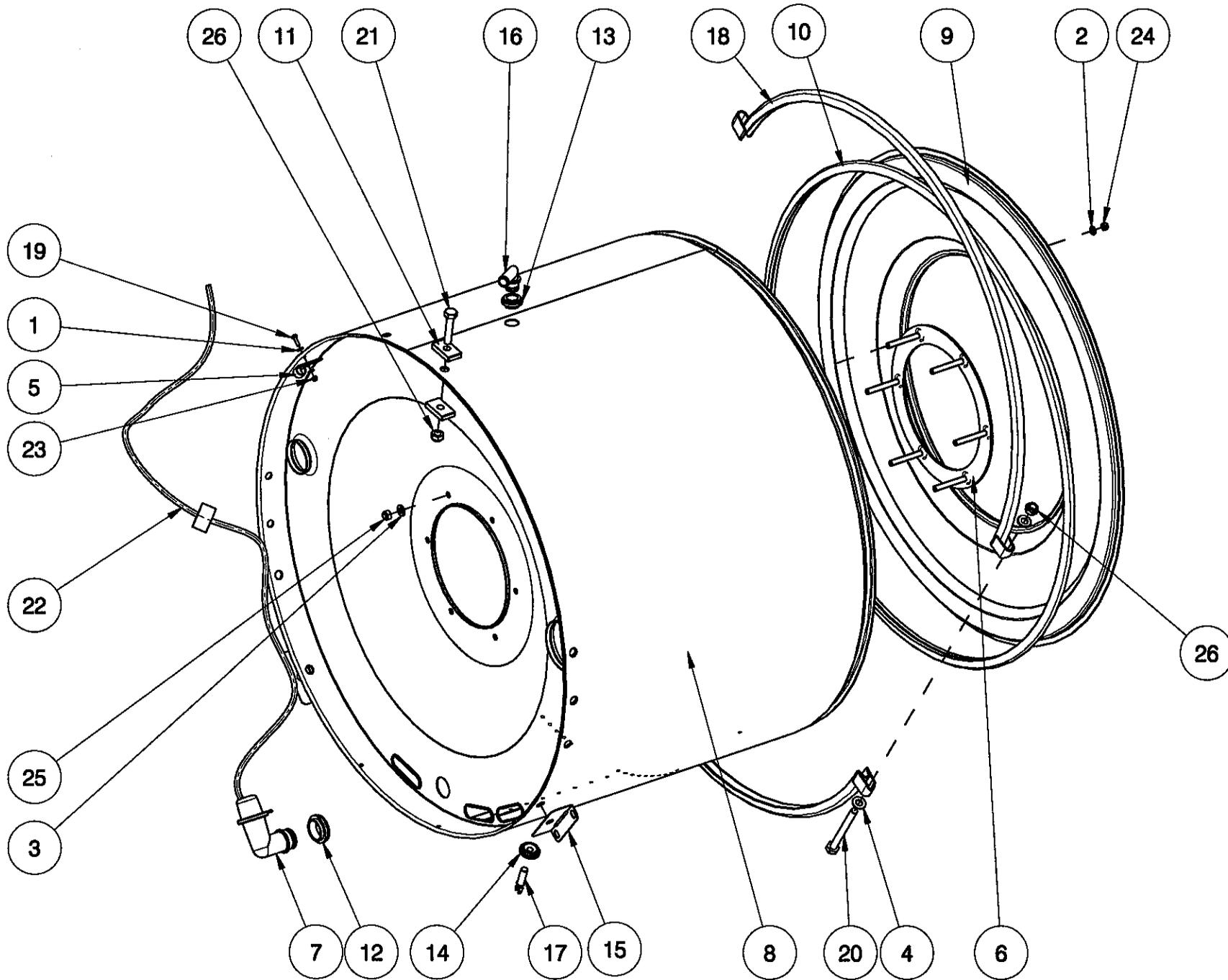
Al pedir una pieza
cerciorarse antes de que
la misma no ha sido
modificada. Si lo hubiese
sido, estaría situada como
hoja de modificaciones,
detrás de la hoja
correspondiente.

TRES IMPORTANT:

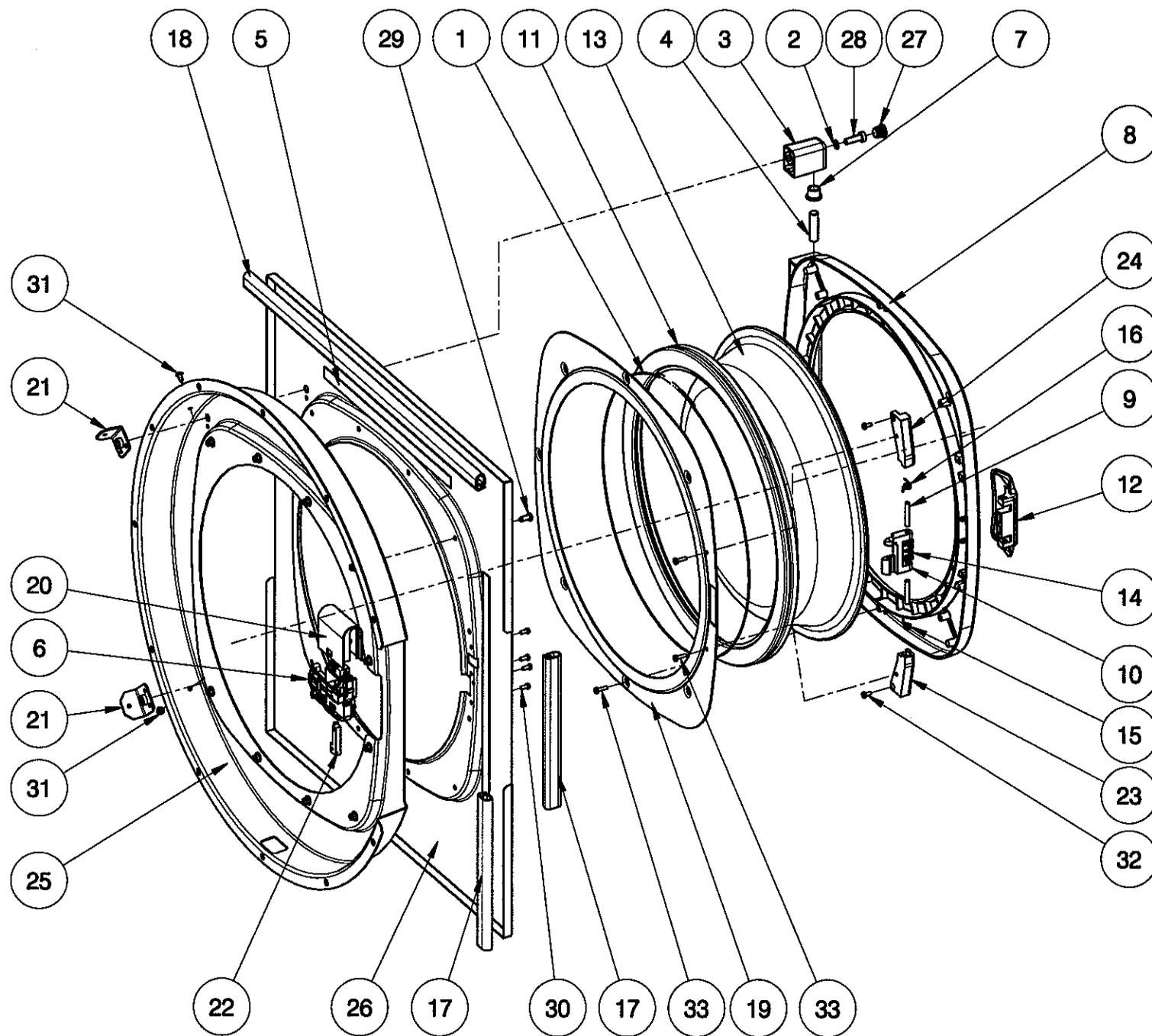
Avant de commander
une pièce, s'assurer
qu'elle n'a pas été
modifiée. Le vérifier sur
feuille de modifications,
derrière la feuille
correspondante.



N°	REF.	DENOMINATION	DENOMINACIÓN	DÉNOMINATION
1	422048	BASKET COUPLING	ACOPLAMIENTO TAMBOR	ASSAMBLAGE TAMBOUR
2	422154	SEAL RING	ANILLO RETENES	BAGUE RESERVES
3	333179	RING V-RING V-85A NBR562	ANILLO V-RING V-85A NBR562	BAGUE V-RING V-85A NBR562
4	149831	PAV A14 DIN127 GROWER WASHER	ARAN.GROWER A14 DIN127 PAVON.	RONDELLE GROWER A14 DIN127 PAV
5	212589	WASHER 80X15X8	ARANDELA 80X15X8	RONDELLE 80X15X8
6	422220	WASHER D18XD6.5X4	ARANDELA D18XD6.5X4	RONDELLE D18XD6.5X4
7	193904	HOSE ELBOW 3/8" RE. 46602	CODO MANGUERA 3/8" REF.46602	COUDE TUYAU 3/8" REF. 46602
8	338145	ESTR.BELT 6PK2062+-6	CORREA ESTR.6PK2062±6 ISO *	COURROIE ESTR. 6PK2062+-6
9	421990	BASKET BODY	CUERPO TAMBOR	CORPS TAMBOUR
10	333484	BEARING BOX	ESTRELLA CAJA COJINETES	BOITE ROULEMENTS
11	333237	TORIC GASKET 193X205X6 NBR70SH	JUNTA TORICA 193X205X6 NBR70SH	JOINT TORIQUE 193X205X6 NBR70S
12	333195	TORIC GASKET 68X76X4 NBR70SH	JUNTA TORICA 68X76X4 NBR70SH	JOINT TORIQUE 68X76X4 NBR70SH
13	181321	TORIC GASKET 6X12X3	JUNTA TORICA 6X12X3	JOINT TORIQUE 6X12X3
14	422196	V-RING PLATE	PLATINA V-RING	PLATINE V-RING
15	333203	BASKET PULLEY	POLEA TAMBOR	POULIE TAMBOUR
16	431205	PRESSOSTAT HOSE PROTECTION	PROTECCION TUBO PRESOSTATO	PROTECTION TUBE PRESSOSTAT
17	422204	V-RING PROTECTION	PROTECCION V-RING	PROTECTION V-RING
18	422162	BASKET SHOVEL RENFORT	REFUERZO PALA TAMBOR	REFORT PALETTE TAMBOUR
19	333229	SEAL 85X110X12 BA NBR72SH	RETEN 85X110X12 BA NBR72SH	RESERVE 85X110X12 BA NBR72SH
20	333252	BEARING 6310-2Z	RODAMIENTO 6310-2Z	ROULEMENT 6310-2Z
21	333245	BEARING 6313-2RS1	RODAMIENTO 6313-2RS1	ROULEMENT 6313-2RS1
22	430876	SEAL HOLDER COVER	TAPA PORTA-RETEN	COUVERCLE PORTE-RESERVE
23	422212	BEARING END-PIECE	TOPE COJINETES	ARRET ROULEMENTS
24	186312	HEX SCREW 8G DIN933 M14X35	TOR.EX.DIN933-8.8 BICR.M14X 35	VIS HEX 8G DIN933 M14X35
25	144915	INOX HEX SCREW DIN933 M 6X25	TOR.EX.DIN933INOX A2-70 M 6X25	VIS HEX INOX DIN933 M 6X25
26	149997	INOX HEX NUT DIN 934 M-16	TUER.EX.DIN934 INOX A2-70 M16	ECROU HEX.INOX DIN 934 M-16

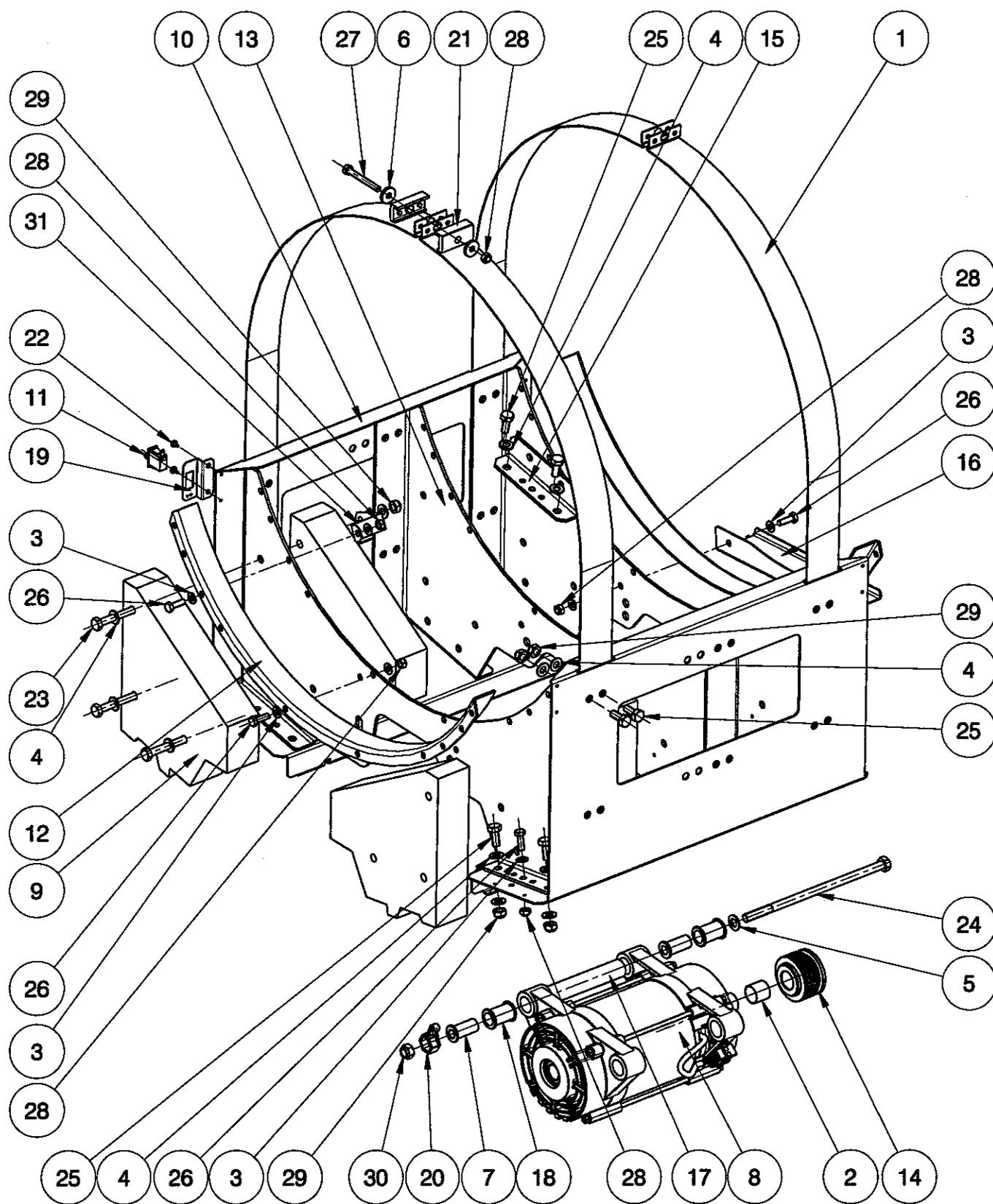


N°	REF.	DENOMINATION	DENOMINACIÓN	DÉNOMINATION
1	149476	BICR.WASHER B DIN125-ST 4,3	ARAN.B DIN125-ST BICR. 4,3	RONDELLE B DIN125-ST BICR.4,3
2	149526	BICR.WASHER B DIN125-ST 6,4	ARAN.B DIN125-ST BICR. 6,4	RONDELLE B DIN125-ST BICR.6,4
3	149518	BICR.WASHER B DIN125-ST 8,4	ARAN.B DIN125-ST BICR. 8,4	RONDELLE.B DIN125-ST BICR.8,4
4	149500	BICR.WASHER B DIN125-ST 10,5	ARAN.B DIN125-ST BICR.10,5	RONDELLE B DIN125-ST BICR.10,5
5	140418	CLAMP UNEX REF 1201	BRIDA UNEX 1201	BRIDE UNEX REF 1201
6	431551	OUTER DRUM PLATE SET	CONJUNTO PLATINA ENVOLVENTE	ENSEMBLE PLATINE CUVE
7	320382	PRESSURE TRANSMITT INTAKE BODY	CUERPO TOMA PRESOSTATO	CORPS PRISE PRESSOSTAT
8	422113	OUTER DRUM	ENVOLVENTE	CUVE
9	422238	OUTER DRUM FRONT PANEL	FRONTAL ENVOLVENTE	FRONTAL CUVE
10	333336	OUTER DRUM FRONT GASKET	JUNTA FRONTAL ENVOLVENTE	JOINT FRONTAL CUVE
11	422329	HANDRAIL 43X25X8	PASAMANO 43X25X8	PASSEMAIN 43X25X8
12	320036	PRESSURE T.BODY SHEATH-LODGING	PASAMUROS CUERPO PRESOSTATO	LOGEMENT CORPS PRESSOSTAT
13	338863	VAPOR OUTLET SHEATH-LODGING	PASAMUROS DESVAPORIZADOR	LOGEMENT SORTIE CONDENSATS
14	256149	SENSOR SHEATH LODGING	PASAMUROS SENSOR	LOGEMENT SENSEUR
15	341073	OUTER DRUM PIECE	POSICIONADOR ENVOLVENTE	PIECE CUVE
16	338871	VAPOR OUTLET RACCORD	RACOR DESVAPORIZADOR	RACCORD SORTIE CONDENSATS
17	193862	NTC RESISTANCE 2322 640 90042	RESISTENCIA NTC 2381 640 90042	RESISTANCE NTC 2322 640 90042
18	430256	OUTER DRUM FIXING SEMI-RING	SEMI-ARO FIJACION ENVOLVENTE	DEMI.BAGUE FIXATION CUVE
19	146266	BICR.HEX SCREW DIN933-8 M-4X15	TOR.EX.DIN933-4.8 BICR.M 4X 15	VIS HEX BICR.DIN933-8.8 M-4X15
20	146563	BICR HEX SCREW DIN933 M-10X100	TOR.EX.DIN933-8.8 BICR.M10X100	VIS HEX DIN-933-8.8 BI.M10X100
21	186528	SCREW HEX 8G DIN933 M10X 50	TOR.EX.DIN933-8.8 BICR.M10X 50	VIS HEX 8G DIN933 M10X 50
22	427021	PRESSURE TRANSMITTER HOSE	TUBO TRANSMISOR PRESION	TUYAU PRESSOSTAT
23	132043	SELFBLOCKING NUT DIN985 M 4	TUER.AUTOBL.DIN985-8 BICR.M 4	ECROU AUTOBLOCANT DIN985 M 4
24	176834	SELFBLOCKING NUT DIN985 M-6	TUER.AUTOBL.DIN985-8 BICR.M 6	ECROU AUTOBLOCANT DIN985 M-6
25	164285	SELFBLOCKING NUT DIN985 M-8	TUER.AUTOBL.DIN985-8 BICR.M 8	ECROU AUTOBLOCANT DIN985 M-8
26	150649	SELFBLOCKING NUT DIN 985 M-10	TUER.AUTOBL.DIN985-8 BICR.M10	ECROU AUTOBLOCANT DIN 985 M-10



N°	REF.	DENOMINATION	DENOMINACIÓN	DÉNOMINATION
1	342907	WASHER D415X1,5 SPRING	ABRAZ.ALAMBRE D415X1,5 MUELLE	RONDELLE D415X1,5 RESSORT
2	318253	WASHER 8	ARAN.ESPECIAL TORN.DIN912 M 8	RONDELLE 8
3	430777	HINGE	BISAGRA	CHARNIERE
4	261156	DOOR BOLT	BULON ESCOTILLA	BOULON HUBLLOT
5	423467	ANTI-VIBRATION TGRIM	BURLETE ANTIVIBRANTE	GARNITURE ANTI-VIBRATION
6	333302	LOCKING BITRON BP P/5 DL-S1	CIERRE BITRON BP P/5 DL-S1 *	FERMETURE BITRON BP P/5 DL-S1
7	128827	SELFOIL SLEEVE B11B12-17-15/22	COJ. SELFOIL B11B12-17-15/22-3	FRETTE SELFOIL B11B12-17-15/22
8	430850	DOOR BODY	CUERPO ESCOTILLA	CORPS HUBLLOT
9	427088	HANDLE SHAFT	EJE MANETA	AXE POIGNEE
10	339614	LOCK HOOK	GANCHO CIERRE	CROCHET FERMETURE
11	342899	DOOR GASKET	JUNTA ESCOTILLA	JOINT HUBLLOT
12	339457	LOCK HANDLE	MANETA CIERRE	POIGNEE FERMETURE
13	333328	SPYHOLE	MIRILLA	VITRE
14	341636	HOOK SPRING	MUELLE GANCHO	RESSORT CROCHET
15	339978	HANDLE SPRING	MUELLE MANETA	RESSORT POIGNEE
16	339986	HANDLE SPRING	MUELLE MANETA	RESSORT POIGNEE
17	430918	LOCK PROTECTION PROFILE	PERFIL PROTECCION CIERRE	PROFILE PROTECTION FERMETURE
18	431361	FRONT COVER PROFILE	PERFIL TAPA FRONTAL	PROFILE COUVERCLE FRONTALE
19	422311	SPYHOLE HOLDER	PORTA-MIRILLA	PORTE-VITRE
20	333070	LOCKING PROTECTION	PROTECCION CIERRE	PROTECTION FERMETURE
21	430801	DOOR BRACKET REINFORT	REFUERZO SOPORTE PUERTA	RENFORT SUPPORT HUBLLOT
22	430843	FRONT COVER REINFORT	REFUERZO TAPA FRONTAL	RENFORT COUVERCLE FRONTALE
23	409086	HANDLE BRACKET	SOPORTE MANETA	SUPPORT HUBLLOT
24	409094	HANDLE BRACKET	SOPORTE MANETA	SUPPORT POIGNEE
25	430785	DOOR BRACKET	SOPORTE PUERTA	SUPPORT HUBLLOT
26	430835	FRONT COVER	TAPA FRONTAL	COUVERCLE FRONTALE
27	322974	PLUG	TAPON KAPSTO GPN320GL18	BOUCHON
28	316695	ALLEN SCREW DIN7984-8 M8X 25	TOR.ALLDIN7984-8.8 BICR.M 8X25	VIS ALLEN DIN7984-8.8 B.M8X 25
29	333294	SCREW T25 M6X15	TOR.ALOM.T25 AR.18ESTR.M 6X15	VIS T25 M6X15
30	322990	SCREW DELTA PT 45X10 WN5452	TOR.CELO 4510RF81T 4.5X10	VIS DELTA PT 45X10 WN5452

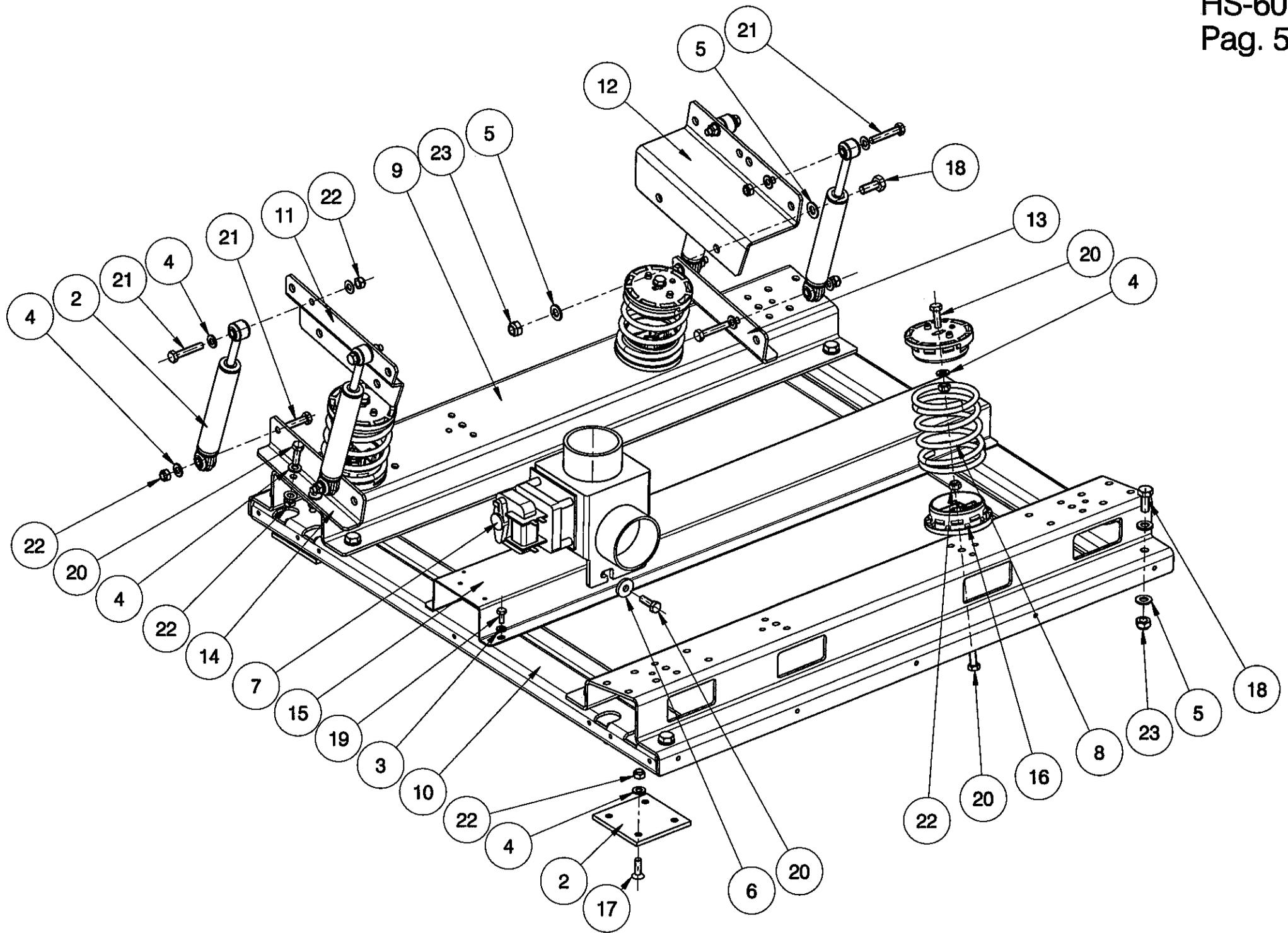
N°	REF.	DENOMINATION	DENOMINACIÓN	DÉNOMINATION
31	322750	SCREW FDS SF-M5X12PKS	TOR.CELO FT512FT85T M5X12	VIS.FDS SF-M5X12PKS
32	326116	SCREW SF PLUS M4X10	TOR.CELO 410TT85T 4X10	VIS SF PLUS M4X10
33	322933	SCREW SF PLUS M4X16 WN1352	TOR.CELO 416TT85T 4X16	VIS SF PLUS M4X16 WN1352



N°	REF.	DENOMINATION	DENOMINACIÓN	DÉNOMINATION
1	422402	OUTER-DRUM CLAMP	ABRAZADERA ENVOLVENTE	BRIDE CUVE
2	341156	STAR TOLER.RING 0820-028-04	ANILLO TOLER.STAR 0820-028-04	BAGUE TOLER.STAR 0820-028-04
3	149518	BICR.WASHER B DIN125-ST 8,4	ARAN.B DIN125-ST BICR. 8,4	RONDELLE.B DIN125-ST BICR.8,4
4	149500	BICR.WASHER B DIN125-ST 10,5	ARAN.B DIN125-ST BICR.10,5	RONDELLE B DIN125-ST BICR.10,5
5	149419	BICR.WASHER B DIN125-ST 13	ARAN.B DIN125-ST BICR.13	RONDELLE B DIN125-ST BICR.13
6	261529	WASHER 25X8,5X4	ARANDELA 25X8,5X4	RONDELLE 25X8,5X4
7	423103	MOTOR SLEEVE	CASQUILLO MOTOR	FRETTE MOTEUR
8	333385	MOTOR SET	CONJUNTO MOTOR	ENSEMBLE MOTEUR
9	423079	COUNTERWEIGHT	CONTRAPESO	CONTREPOID
10	422949	CHASSIS SIDE PANEL	LATERAL CHASIS	LATERAL CHASSIS
11	323048	MINISWITCH CHERRY E69-60C	MINIRRUPTOR CHERRY E69-60C	MINIRRUPTEUR CHERRY E69-60C
12	422394	OUTER-DRUM SUPPORT PROFILE	PERFIL APOYO ENVOLVENTE	PROFILE APPUI CUVE
13	423335	CHASSIS PLATE	PLACA CHASIS	PLAQUE CHASSIS
14	333401	MOTOR PULLEY	POLEA MOTOR	POULIE MOTEUR
15	422386	REAR SPRING POSITION	POSICIONADOR MUELLE POSTERIOR	POSITION RESSORT ARRIERE
16	431163	MOTOR PROTECTION	PROTECCION MOTOR	PROTECTION MOTEUR
17	423111	MOTOR SEPARATOR	SEPARADOR MOTOR	SEPARATEUR MOTEUR
18	333393	MOTOR SILENTBLOCK	SILENTBLOC MOTOR	SILENTBLOCK MOTEUR
19	423129	MICROSWITCH BRACKET	SOPORTE MICRORRUPTOR	SUPPORT MICRORRUPTEUR
20	338095	MOTOR NUT BRACKET	SOPORTE TUERCA MOTOR	SUPPORT ECROU MOTEUR
21	338053	CLAMP TEIGHTENER	TENSOR ABRAZADERA	TENDEUR BRIDE
22	183400	CYL.PLATE SCREW ST-4 20 C/AL	TOR.CHAPA ST-4 20 C/AL.T25	VIS PLAQUE CYL.ST-4 20 C/AL
23	191759	HEX SCREW 8G DIN931 M10X150	TOR.EX.DIN931-8.8 BICR.M10X150	VIS HEX 8G DIN931 M10X150
24	338103	HEX SCREW DIN931-8.8 M12X260	TOR.EX.DIN931-8.8 BICR.M12X260	VIS HEX DIN931-8.8 M12X260
25	147009	HEX SCREW 8G DIN 933 M-10X25	TOR.EX.DIN933-8.8 BICR.M10X 25	VIS HEX. DIN 933 M-10X25 8G
26	192849	BIC.HEX SCREW DIN933-8 M-8X25	TOR.EX.DIN933-8.8 BICR.M 8X 25	VIS HEX.DIN933-8,8 BICR.M-8X25
27	193391	HEX SCREW 8G DIN933 M- 8X 70	TOR.EX.DIN933-8.8 BICR.M 8X 70	VIS HEX.8G DIN933 M- 8X 70
28	164285	SELFBLOCKING NUT DIN985 M-8	TUER.AUTOBL.DIN985-8 BICR.M 8	ECROU AUTOBLOCANT DIN985 M-8
29	150649	SELFBLOCKING NUT DIN 985 M-10	TUER.AUTOBL.DIN985-8 BICR.M10	ECROU AUTOBLOCANT DIN 985 M-10
30	150656	SELFBLOCKING NUT DIN985 M-12	TUER.AUTOBL.DIN985-8 BICR.M12	ECROU AUTOBLOCANT DIN985 M-12

HS6017 431726A 4B

N°	REF.	DENOMINATION	DENOMINACIÓN	DÉNOMINATION
31	423350	PLATE CONTERWEIGHT JOINTING	UNION CONTRAPESO PLACA	UNION CONTREPOIDS PLAQUE



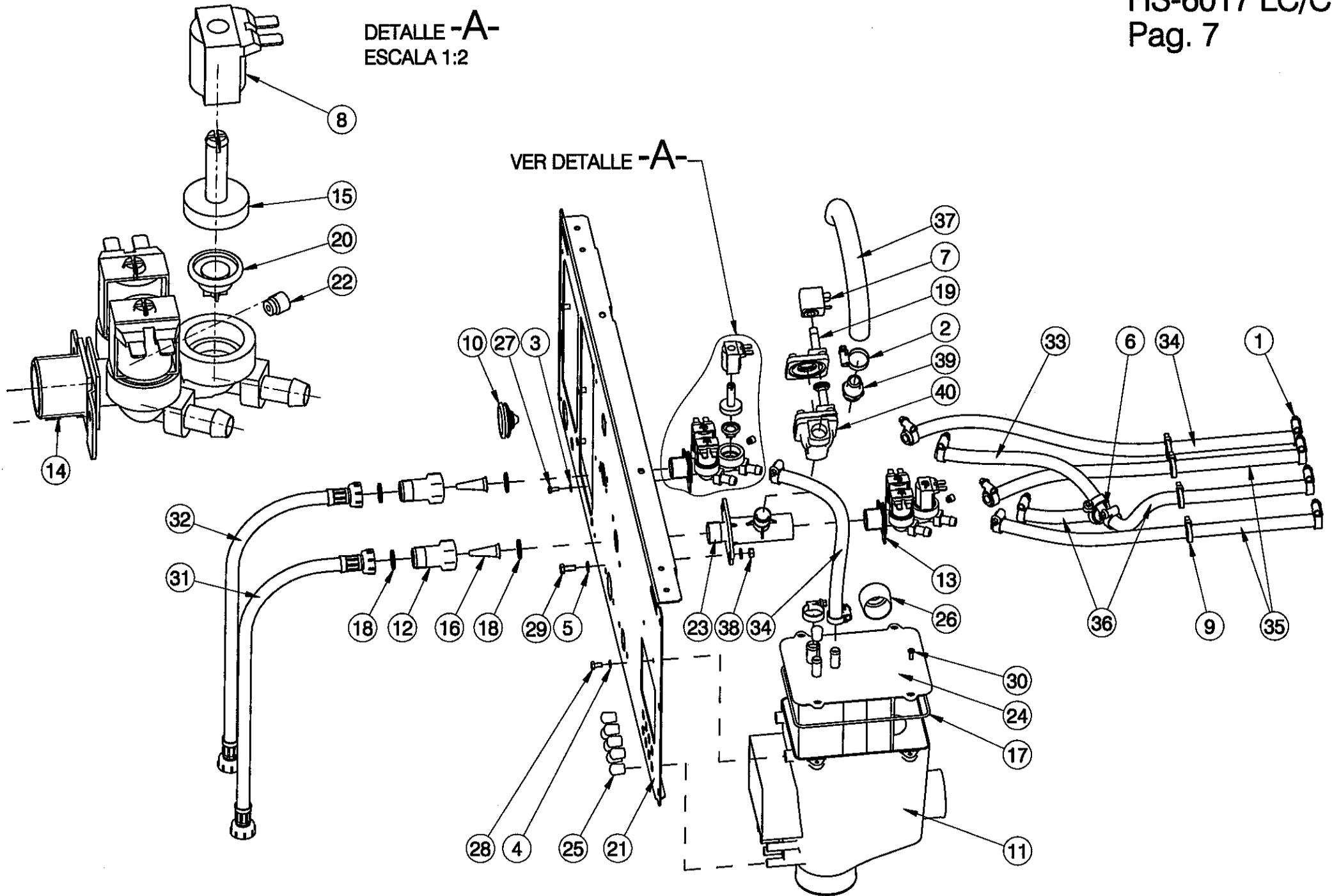
N°	REF.	DENOMINATION	DENOMINACIÓN	DÉNOMINATION
1	423350	PLATE CONTERWEIGHT JOINTING	UNION CONTRAPESO PLACA	UNION CONTREPOIDS PLAQUE
2	422360	SUPPORT BASE	APOYO BASE	BASE APPUI
3	149526	BICR.WASHER B DIN125-ST 6,4	ARAN.B DIN125-ST BICR. 6,4	RONDELLE B DIN125-ST BICR.6,4
4	149518	BICR.WASHER B DIN125-ST 8,4	ARAN.B DIN125-ST BICR. 8,4	RONDELLE.B DIN125-ST BICR.8,4
5	149500	BICR.WASHER B DIN125-ST 10,5	ARAN.B DIN125-ST BICR.10,5	RONDELLE B DIN125-ST BICR.10,5
6	261529	WASHER 25X8,5X4	ARANDELA 25X8,5X4	RONDELLE 25X8,5X4
7	338129	DRAIN (OPEN) MBD-3RA	DESAGÜE (ABIERTO) MBD-3RA	VIDANGE (OUVERT) MBD-3RA
8	338079	SUSPENSION SPRING	MUELLE SUSPENSION	RESSORT SUSPENSION
9	422345	BASE LANE PROFILE	PERFIL LONGITUDINAL BASE	PROFILE LONGITUDINAL BASE
10	422337	BASE CROSS PROFILE	PERFIL TRANSVERSAL BASE	PROFILE TRANSVERSAL BASE
11	423087	SHOCK-ABSORBER PLATE	PLATINA AMORTIGUADORES	PLAQUE AMORTISSEURS
12	423285	TRAS. SHOCK-ABSORBER PLATE	PLATINA AMORTIGUADORES TRAS.	PLAQUE AMORTISSEURS TRAS.
13	423376	RIGHT SHOCK-ABSORBER BRACKET	SOPORTE AMORTIGUADOR DERECHO	SUPPORT AMORTISSEUR DROIT
14	423194	LEFT SHOCK-ABSORBER BRACKET	SOPORTE AMORTIGUADOR IZQUIERDO	SUPPORT AMORTISSEUR GAUCHE
15	423368	DRAIN BRACKET	SOPORTE DESAGÜE	SUPPORT VIDANGE
16	333351	RIGHT SPRING BRACKET	SOPORTE MUELLE A DERECHAS	SUPPORT RESORT À DROITES
17	175653	ALLEN SCREW 10.9 DIN7991M-8X25	TOR.AV.ALL.10.9 DIN7991M 8X 25	VIS ALLEN DIN 7991 10.9M-8X25
18	147009	HEX SCREW 8G DIN 933 M-10X25	TOR.EX.DIN933-8.8 BICR.M10X 25	VIS HEX. DIN 933 M-10X25 8G
19	146233	BICR.HEX SCREW DIN933-8 M6X15	TOR.EX.DIN933-8.8 BICR.M 6X 15	VIS HEX DIN933-8.8 BICR.M6X15
20	192849	BIC.HEX SCREW DIN933-8 M-8X25	TOR.EX.DIN933-8.8 BICR.M 8X 25	VIS HEX.DIN933-8,8 BICR.M-8X25
21	191726	HEX SCREW 8G DIN933 M 8X 45	TOR.EX.DIN933-8.8 BICR.M 8X 45	VIS HEX.8G DIN933 M 8X 45
22	164285	SELFBLOCKING NUT DIN985 M-8	TUER.AUTOBL.DIN985-8 BICR.M 8	ECROU AUTOBLOCANT DIN985 M-8
23	150649	SELFBLOCKING NUT DIN 985 M-10	TUER.AUTOBL.DIN985-8 BICR.M10	ECROU AUTOBLOCANT DIN 985 M-10

N°	REF.	DENOMINATION	DENOMINACIÓN	DÉNOMINATION
1	422469	LANE ANGLE	ANGULO LONGITUDINAL	ANGLE LONGITUDINAL
2	149534	BICR.WASHER B DIN125-ST 5,3	ARAN.B DIN125-ST BICR. 5,3	RONDELLE B BICR.DIN125-ST 5,3
3	149526	BICR.WASHER B DIN125-ST 6,4	ARAN.B DIN125-ST BICR. 6,4	RONDELLE B DIN125-ST BICR.6,4
4	115758	WASHER 20X7X2	ARANDELA 20X7X2	RONDELLE 20X7X2
5	261354	TOP COVER HINGE	BISAGRA TAPA SUPERIOR	CHARNIERE COUVERCLE SUPERIEUR
6	323717	END PIECE	CANTONERA	ARRET
7	196915	LOCK RE.20.09.24	CERRADURA REF.20.09.24	FERMETURE REF.20.09.24
8	422568	FRONT COVER FIXING-PIECE	FIJACION TAPA FRONTAL	FIXATION COUVERCLE FRONTAL
9	339291	SOAP DISPENSER COVER FRAME	MARCO TAPA DOSIFICADOR	CADRE COUVERCLE BAC A PRODUITS
10	323048	MINISWITCH CHERRY E69-60C	MINIRRUPTOR CHERRY E69-60C	MINIRRUPTEUR CHERRY E69-60C
11	422584	SOAP DISP.HOLDING-DOWN PROFILE	PERFIL ANCLAJE DOSIFICADOR	PROFILE SCELLEMENT BAC A PROD.
12	423327	HOSE FIXING PROFILE	PERFIL FIJACION TUBOS	PROFILE FIXATION TUBES
13	338137	LOWER COVER AND PANEL PROFILE	PERFIL PANEL Y TAPA INFERIOR	PROF.PANNEAU ET COUVERCLE INF.
14	333617	FRONT COVERS PROFILE	PERFIL TAPAS FRONTALES	PROFILE COUVERCLES FRONTALES
15	406298	PANEL FIXING RENFORT	REFUERZO FIJACION TAPAS	REFORT FIXATION COUVERCLES
16	242115	UPPER COVER RENFORT	REFUERZO TAPA SUPERIOR	REFORT COUVERCLE SUPERIEUR
17	422592	SOAP DISPENSER BRACKET	SOPORTE DOSIFICADOR	SUPPORT BAC A PRODUITS
18	423129	MICROSWITCH BRACKET	SOPORTE MICRORRUPTOR	SUPPORT MICRORRUPTEUR
19	193540	MIKALOR QUICK FIXING 211038-8	SUJEC.RAPIDA MIKALOR 211038-8	FIXATION RAPIDE MIKALOR
20	339283	SOAP DISPENSER COVER	TAPA DOSIFICADOR	COUVERCLE BAC A PRODUITS
21	422618	RIGHT FRONT COVER	TAPA FRONTAL DERECHA	COUVERCLE FRONTAL DROIT
22	422634	LOWER FRONT COVER	TAPA FRONTAL INFERIOR	COUVERCLE FRONTAL INFERIEUR
23	422626	LEFT FRONT COVER	TAPA FRONTAL IZQUIERDA	COUVERCLE FRONTAL GAUCHE
24	422642	RIGHT SIDE COVER (INOX)	TAPA LATERAL DERECHA (INOX)	COUVERCLE LATERAL DROIT (INOX)
25	422741	RIGHT SIDE COVER (PAINTED)	TAPA LATERAL DERECHA (PINTADA)	COUVERCLE LATERAL DROIT (PEINT)
26	422675	LEFT SIDE COVER (INOX)	TAPA LATERAL IZQUIERDA (INOX)	COUVERCLE LATERAL GAUCHE (INOX)
27	422725	LEFT SIDE COVER (PAINTED)	TAPA LATERAL IZQUIERDA (PINTADA)	COUVERCLE LATERAL GAUCHE (PEINT)
28	422691	REAR COVER	TAPA POSTERIOR	COUVERCLE ARRIERE

N°	REF.	DENOMINATION	DENOMINACIÓN	DÉNOMINATION
29	422709	LOWER REAR COVER	TAPA POSTERIOR INFERIOR	COUVERCLE ARRIERE INFERIEUR
30	422436	UPPER COVER	TAPA SUPERIOR	COUVERCLE SUPERIEUR
31	144261	ALLEN SCREW DIN 912 M-5X10	TOR.ALLDIN912-8.8 BICR.M 5X 10	VIS ALLEN DIN 912 M-5X10
32	333625	SCREW T25 M6X15	TOR.ALOM.T25 AR.18ESTR.M6X15	VIS T25 M6X15
33	333294	SCREW T25 M6X15	TOR.ALOM.T25 AR.18ESTR.M 6X15	VIS T25 M6X15
34	183400	CYL.PLATE SCREW ST-4 20 C/AL	TOR.CHAPA ST-4 20 C/AL.T25	VIS PLAQUE CYL.ST-4 20 C/AL
35	149153	PLATE SCREW ST-4 80 C/AL.T25	TOR.CHAPA ST-4 80 C/AL.T25	VIS PLAQUE ST-4 80 C/AL.T25
36	146233	BICR.HEX SCREW DIN933-8 M6X15	TOR.EX.DIN933-8.8 BICR.M 6X 15	VIS HEX DIN933-8.8 BICR.M6X15
37	326660	SCREW PT K40X12 WN1451-TORX	TOR.CELO 412RFX87T INOXA2 4X12	VIS PT K40X12 WN1451-TORX
38	176834	SELFBLOCKING NUT DIN985 M-6	TUER.AUTOBL.DIN985-8 BICR.M 6	ECROU AUTOBLOCANT DIN985 M-6
39	165019	CAGED NUT M-6 0,5-1,5	TUER.ENJ.M6 0,5-1,5 R.310007-9	ECROU PRESIONER M-6 0,5-1,5
40	150177	BICR HEX NUT DIN934-8 M5	TUER.EX.DIN934-8 BICR.M 5	ECROU HEX DIN934-8 BIC.M5
41	135228	NUT NUL 506-2A REF. 213047-3	TUERCA SEG.NUL 506-2B 213048-1	ECROU NUL 506-2A REF. 213047-3
42	423343	SOCKET	ZOCALO	SOCLE

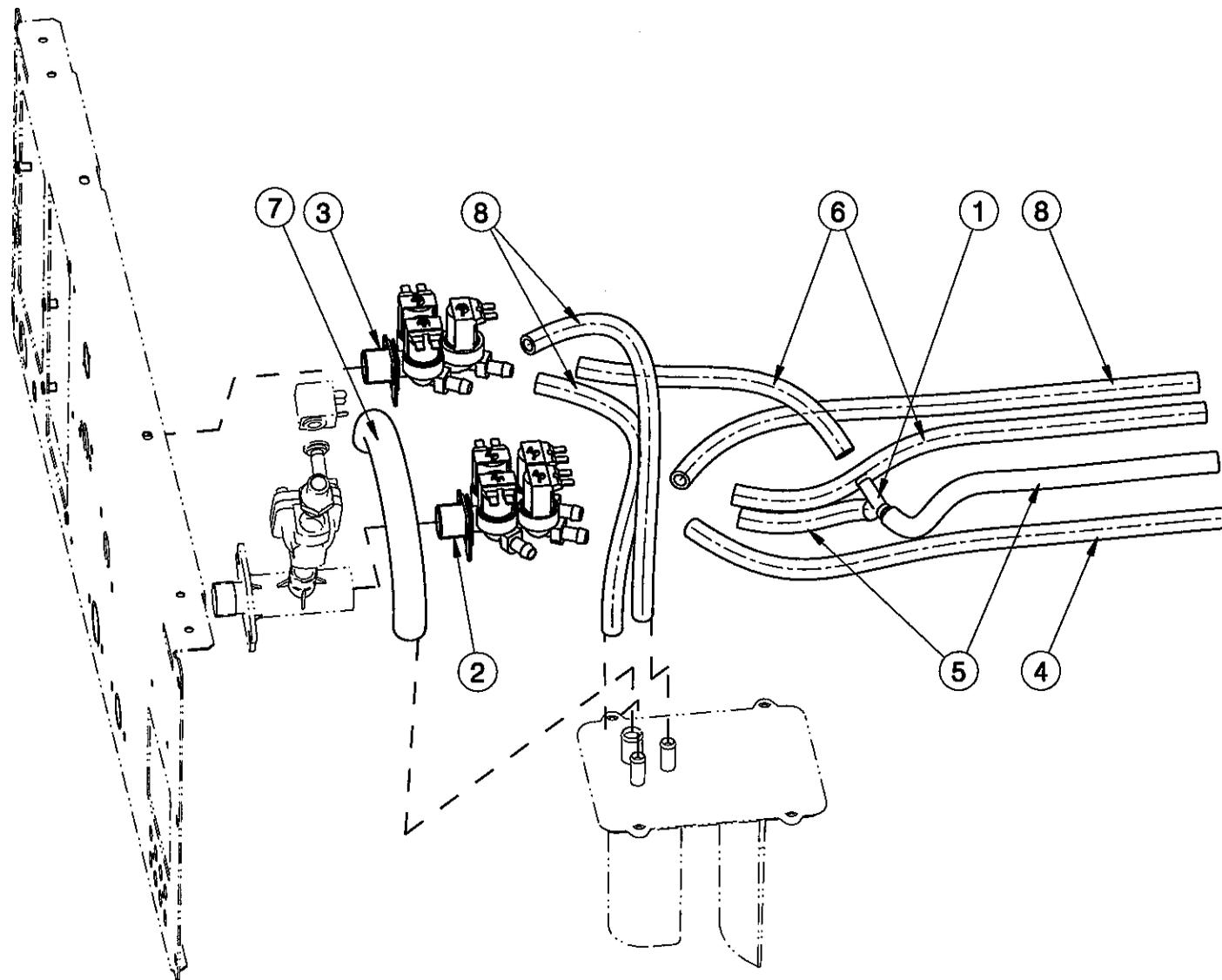
DETALLE -A-
ESCALA 1:2

VER DETALLE -A-

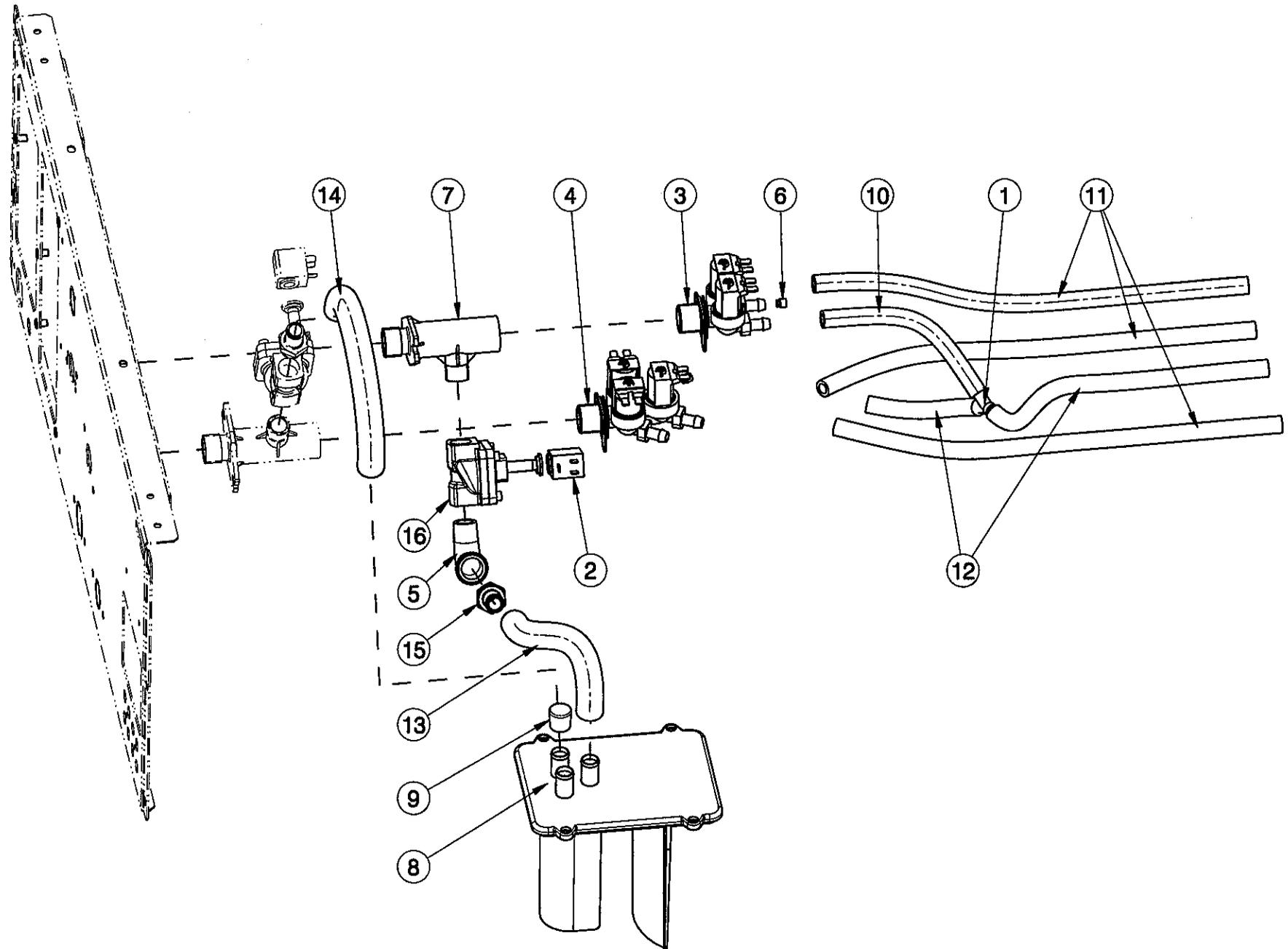


N°	REF.	DENOMINATION	DENOMINACIÓN	DÉNOMINATION
1	155150	CLAMP 301502-0 D12-20	ABRAZ.ASFA 8-16L REF.301651-6	BRIDE 301502-0 D12-20
2	156109	CLAMP 301503-8 D16-25	ABRAZ.ASFA 16-27L REF.301653-2	BRIDE 301503-8 D16-25
3	149476	BICR.WASHER B DIN125-ST 4,3	ARAN.B DIN125-ST BICR. 4,3	RONDELLE B DIN125-ST BICR.4,3
4	149534	BICR.WASHER B DIN125-ST 5,3	ARAN.B DIN125-ST BICR. 5,3	RONDELLE B BICR.DIN125-ST 5,3
5	149526	BICR.WASHER B DIN125-ST 6,4	ARAN.B DIN125-ST BICR. 6,4	RONDELLE B DIN125-ST BICR.6,4
6	152165	BRANCH	BIFURCACION	BIFURCATION
7	333716	COIL AB 5W 12V CC 042N0806	BOBINA AB 5W 12V CC 042N0806	BOBINE AB 5W 12V CC 042N0806
8	192054	ELECT.SERIES 300 COIL 220/240V	BOBINA ELEC.SERIE 300 220/240V	BOBINE ELEC.SERIE 300 220/240V
9	140525	CLAMP 2244-0	BRIDA UNEX 2244-0	BRIDE 2244-0
10	139683	CONE ECPC-6	CONO HIMEL ECPC-6	CONE ECPC-6
11	333641	DISTRIBUTOR BODY	CUERPO DISTRIBUIDOR	CORPS DISTRIBUTEUR
12	315317	FILTER BODY	CUERPO FILTRO	CORPS FILTRE
13	333674	TRIPLE ELECTROVALVE 369 180°	ELECTROV.TRIPLE 369 180°12VCC	ELECTROVANNE TRIPLE 369 180°
14	422766	TRIPLE ELECTROVALVE 369 12VCC	ELECTROV.TRIPLE 369 12VCC	ELECTROVANNE TRIPLE 369 12VCC
15	300194	YELLOW CASE 30053	ESTUCHE AMARILLO 30053	BOITE JAUNE 30053
16	315614	CONICAL FILTER	FILTRO CONICO REF.4008-2-1	FILTRE CONIQUE
17	326868	FOAM SILICONE CORD D3	CORDON SILICONA ESPONJOSA D4	CORD SILICONE EPONGE D3
18	114348	GASKET D24XD15X1,5	JUNTA MIFLEX D24X13,5X2	JOINT D24XD15X1,5
19	341685	SPARE-PARTS KIT EV220A 12-14B	KIT REPUES.EV220A 12-14B	KIT RECHANGES EV220A 12-14B
20	300202	INTEGRAL GUIDE-MEMBRANE 30696	MEMBRANA-GUIA INTEGRAL 30696	MEMBRANE-GUIDE INTEGRALE 30696
21	431072	REAR PANEL	PANEL POSTERIOR	PANNEAU ARRIERE
22	156265	REGULATOR 3 L/MIN (BLACK)	REGULADOR DE 3 L/MIN. (NEGRO)	REGULATEUR 3 L/MIN (NOIR)
23	333682	ELECTROVALVE BRACKET	SOPORTE ELECTROVALVULAS	SUPPORT ELECTROVANNES
24	338160	DISTRIBUTOR COVER	TAPA DISTRIBUIDOR	COUVERCLE DISTRIBUTEUR
25	156679	CONICAL END-PIECE R-16 D10	TOPE CONICO REPRIMSA R-16 D10	BOUCHON CONIQUE R-16 D10
26	135004	CONICAL END-PIECE REPRIMSA R16	TOPE CONICO REPRIMSA R-16 D30	ARRET CONIQUE REPRIMSA R16 D30
27	146258	BIC.HEX SCREW DIN933-4.8 M4X10	TOR.EX.DIN933-4.8 BICR.M 4X 10	VIS HEX DIN933-4.8 BICR.M 4X10
28	146274	BICR.HEX SCREW DIN933-8 M-5X10	TOR.EX.DIN933-8.8 BICR.M 5X 10	VIS HEX.BICR.DIN933-8.8 M-5X10
29	146233	BICR.HEX SCREW DIN933-8 M6X15	TOR.EX.DIN933-8.8 BICR.M 6X 15	VIS HEX DIN933-8.8 BICR.M6X15
30	326660	SCREW PT K40X12 WN1451-TORX	TOR.CELO 412RFX87T INOXA2 4X12	VIS PT K40X12 WN1451-TORX

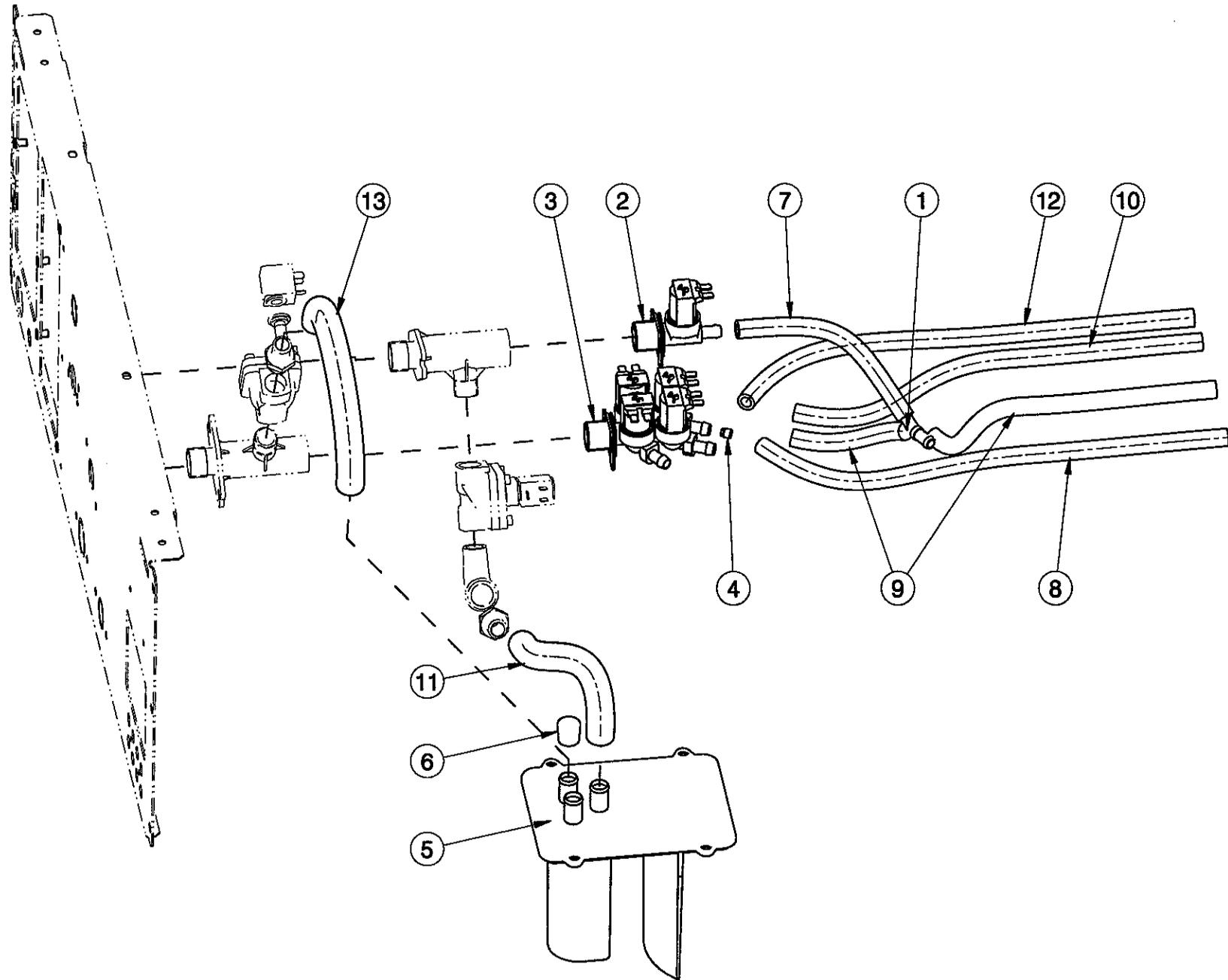
N°	REF.	DENOMINATION	DENOMINACIÓN	DÉNOMINATION
31	326587	WATER INLET AC DI12,5 L1,5M	TUBO ENTRADA AC DI12,5 L1,5M	FLEXIBLE ENTRÉE AC DI12,5 L1,5
32	326579	WATER INLET AF DI12,5 L1,5M	TUBO ENTRADA AF DI12,5 L1,5M	FLEXIBLE ENTRÉE AF DI12,5 L,5M
33	410613	WATER INLET HOSE	TUBO ENTRADA AGUA	TUYAU ENTRÉE EAU
34	411140	WATER INLET HOSE	TUBO ENTRADA AGUA	TUBE ENTREE EAU
35	411397	WATER INLET HOSE	TUBO ENTRADA AGUA	TUBE ENTREE EAU
36	427187	WATER INLET HOSE	TUBO ENTRADA AGUA	TUBE ENTREE EAU
37	427211	WATER INLET HOSE	TUBO ENTRADA AGUA	TUBE ENTREE EAU
38	150227	BICR HEX NUT DIN934-8 M6	TUER.EX.DIN934-8 BICR.M 6	ECROU HEX DIN934-8 BICR.M6
39	333690	WATER INLET NUT	TUERCA ENTRADA AGUA	ECROU ENTREE EAU
40	333708	VALVE EV220A 14B G12E NC000	VALVULA EV220A 14B G12E NC000	VANNE EV220A 14B G12E NC000



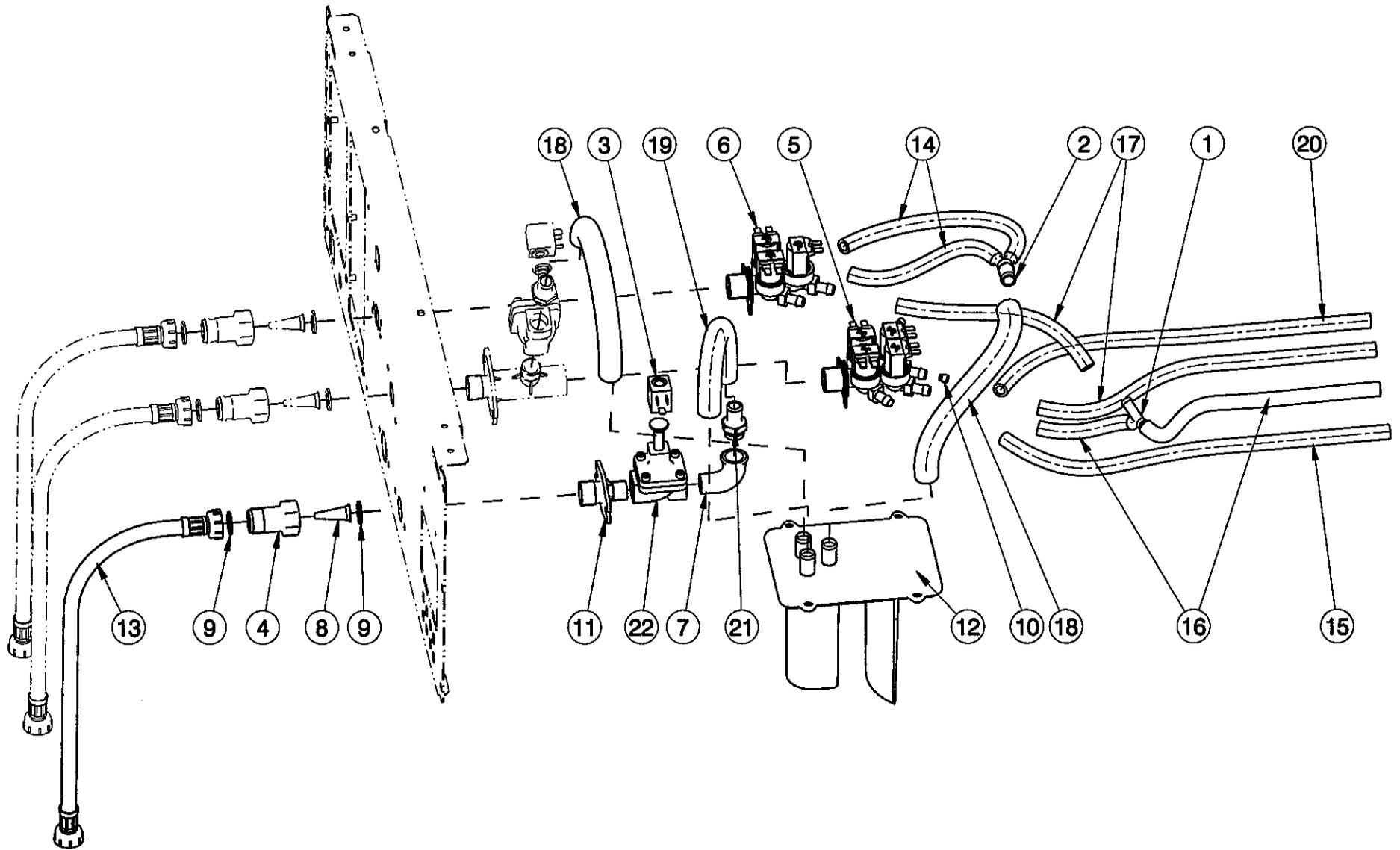
N°	REF.	DENOMINATION	DENOMINACIÓN	DÉNOMINATION
1	152165	BRANCH	BIFURCACION	BIFURCATION
2	323311	4 TRACK ELECTROVALVE 389 180°C	ELECTROV.CUADRUPLE 389 180°	ELECTROVANNE 4 VOIES 389 180°C
3	333674	TRIPLE ELECTROVALVE 369 180°	ELECTROV.TRIPLE 369 180°12VCC	ELECTROVANNE TRIPLE 369 180°
4	411397	WATER INLET HOSE	TUBO ENTRADA AGUA	TUBE ENTREE EAU
5	427187	WATER INLET HOSE	TUBO ENTRADA AGUA	TUBE ENTREE EAU
6	427195	WATER INLET HOSE	TUBO ENTRADA AGUA	TUBE ENTREE EAU
7	427211	WATER INLET HOSE	TUBO ENTRADA AGUA	TUBE ENTREE EAU
8	430934	WATER INLET HOSE	TUBO ENTRADA AGUA	TUBE ENTREE EAU



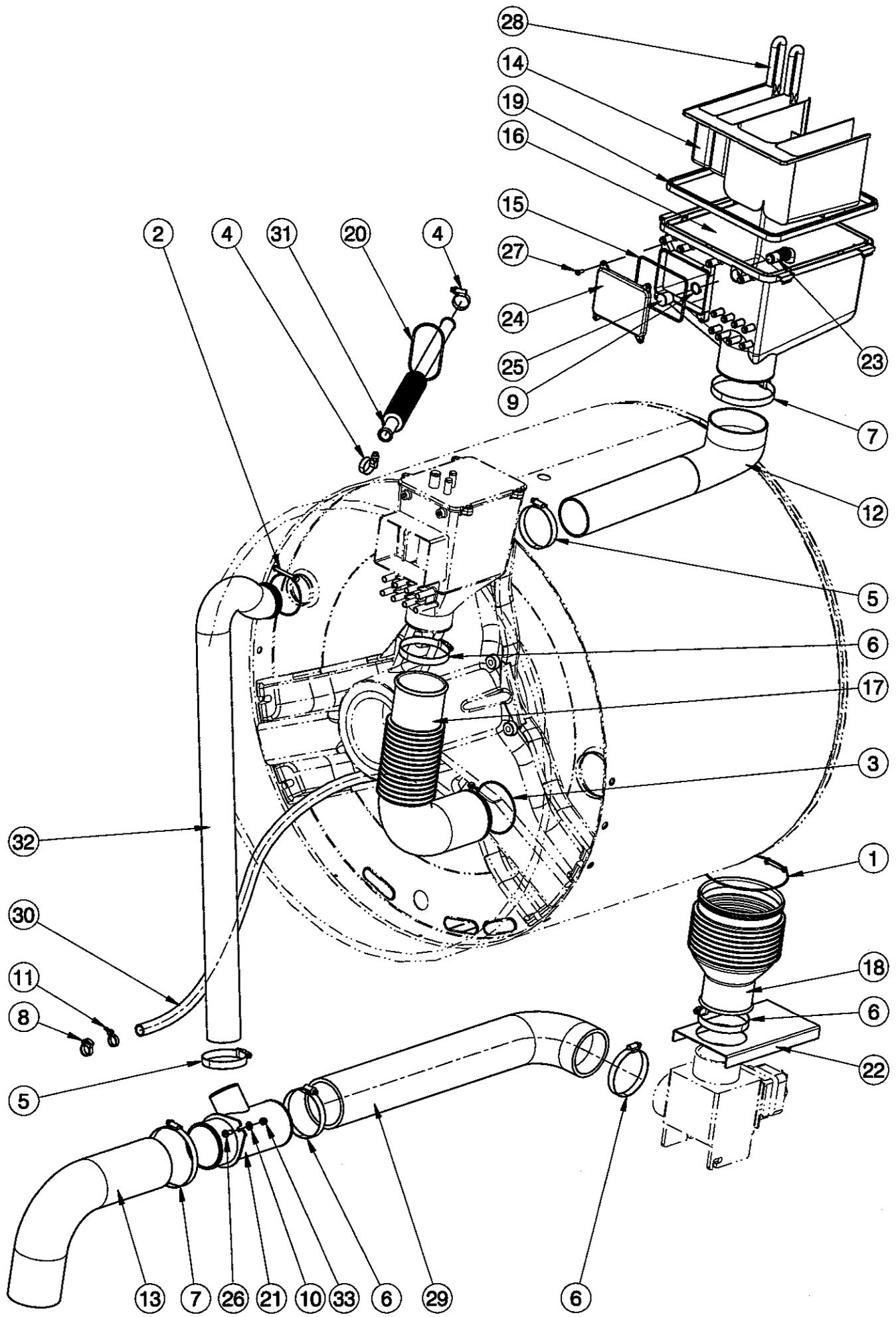
N°	REF.	DENOMINATION	DENOMINACIÓN	DÉNOMINATION
1	152165	BRANCH	BIFURCACION	BIFURCATION
2	333716	COIL AB 5W 12V CC 042N0806	BOBINA AB 5W 12V CC 042N0806	BOBINE AB 5W 12V CC 042N0806
3	422824	DOUBLE ELECTROVALVE 349 12VCC	ELECTROV.DOUBLE 349 12VCC	ELECTROVANNE DOUBLE 349 12VCC
4	422766	TRIPLE ELECTROVALVE 369 12VCC	ELECTROV.TRIPLE 369 12VCC	ELECTROVANNE TRIPLE 369 12VCC
5	129494	ELBOW FIG 92 1/2" GALV	FIGURA 92 DE 1/2"AMAT GALV.	COUDE FIG 92 1/2" GALV
6	156265	REGULATOR 3 L/MIN (BLACK)	REGULADOR DE 3 L/MIN. (NEGRO)	REGULATEUR 3 L/MIN (NOIR)
7	333682	ELECTROVALVE BRACKET	SOPORTE ELECTROVALVULAS	SUPPORT ELECTROVANNES
8	333666	DISTRIBUTOR COVER	TAPA DISTRIBUIDOR	COUVERCLE DISTRIBUTEUR
9	156687	CONICAL END-PIECE R-16 D16	TOPE CONICO REPRIMSA R-16 D16	ARRET CONIQUE R-16 D16
10	410613	WATER INLET HOSE	TUBO ENTRADA AGUA	TUYAU ENTRÉE EAU
11	411397	WATER INLET HOSE	TUBO ENTRADA AGUA	TUBE ENTREE EAU
12	427187	WATER INLET HOSE	TUBO ENTRADA AGUA	TUBE ENTREE EAU
13	427229	WATER INLET HOSE	TUBO ENTRADA AGUA	TUBE ENTREE EAU
14	430942	WATER INLET HOSE	TUBO ENTRADA AGUA	TUBE ENTREE EAU
15	333690	WATER INLET NUT	TUERCA ENTRADA AGUA	ECROU ENTREE EAU
16	333708	VALVE EV220A 14B G12E NC000	VALVULA EV220A 14B G12E NC000	VANNE EV220A 14B G12E NC000



N°	REF.	DENOMINATION	DENOMINACIÓN	DÉNOMINATION
1	152165	BRANCH	BIFURCACION	BIFURCATION
2	323329	SIMPLE ELECTROVALVE 389 180 C	ELECTROV.SIMPLE 329 180§	ELECTROVANNE SIMPLE 389 180°C
3	323311	4 TRACK ELECTROVALVE 389 180°C	ELECTROV.CUADRUPLE 389 180°	ELECTROVANNE 4 VOIES 389 180°C
4	156265	REGULATOR 3 L/MIN (BLACK)	REGULADOR DE 3 L/MIN. (NEGRO)	REGULATEUR 3 L/MIN (NOIR)
5	333666	DISTRIBUTOR COVER	TAPA DISTRIBUIDOR	COUVERCLE DISTRIBUTEUR
6	156687	CONICAL END-PIECE R-16 D16	TOPE CONICO REPRIMSA R-16 D16	ARRET CONIQUE R-16 D16
7	410613	WATER INLET HOSE	TUBO ENTRADA AGUA	TUYAU ENTRÉE EAU
8	411397	WATER INLET HOSE	TUBO ENTRADA AGUA	TUBE ENTREE EAU
9	427187	WATER INLET HOSE	TUBO ENTRADA AGUA	TUBE ENTREE EAU
10	427195	WATER INLET HOSE	TUBO ENTRADA AGUA	TUBE ENTREE EAU
11	427229	WATER INLET HOSE	TUBO ENTRADA AGUA	TUBE ENTREE EAU
12	430934	WATER INLET HOSE	TUBO ENTRADA AGUA	TUBE ENTREE EAU
13	430942	WATER INLET HOSE	TUBO ENTRADA AGUA	TUBE ENTREE EAU

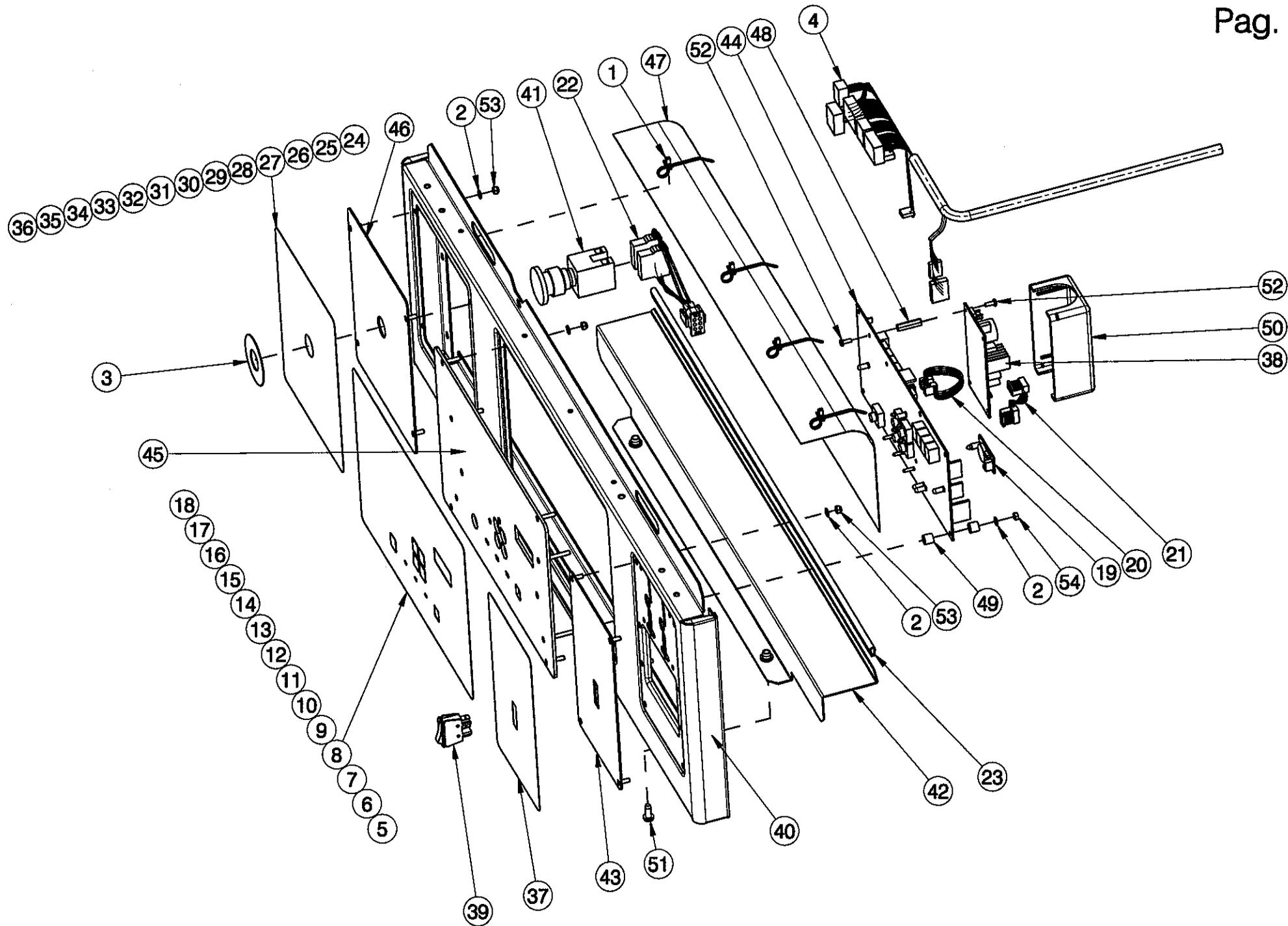


N°	REF.	DENOMINATION	DENOMINACIÓN	DÉNOMINATION
1	152165	BRANCH	BIFURCACION	BIFURCATION
2	321463	BRANCH OF 16-10,5-10,5	BIFURCACION DE 16-10,5-10,5	BIFURCATION DE 16-10,5-10,5
3	333716	COIL AB 5W 12V CC 042N0806	BOBINA AB 5W 12V CC 042N0806	BOBINE AB 5W 12V CC 042N0806
4	315317	FILTER BODY	CUERPO FILTRO	CORPS FILTRE
5	323311	4 TRACK ELECTROVALVE 389 180°C	ELECTROV.CUADRUPLE 389 180°	ELECTROVANNE 4 VOIES 389 180°C
6	333674	TRIPLE ELECTROVALVE 369 180°	ELECTROV.TRIPLE 369 180°12VCC	ELECTROVANNE TRIPLE 369 180°
7	129494	ELBOW FIG 92 1/2" GALV	FIGURA 92 DE 1/2"AMAT GALV.	COUDE FIG 92 1/2" GALV
8	315614	CONICAL FILTER	FILTRO CONICO REF.4008-2-1	FILTRE CONIQUE
9	114348	GASKET D24XD15X1,5	JUNTA MIFLEX D24X13,5X2	JOINT D24XD15X1,5
10	156265	REGULATOR 3 L/MIN (BLACK)	REGULADOR DE 3 L/MIN. (NEGRO)	REGULATEUR 3 L/MIN (NOIR)
11	338152	ELECTROVALVE BRACKET	SOPORTE ELECTROVALVULAS	SUPPORT ELECTROVANNES
12	333666	DISTRIBUTOR COVER	TAPA DISTRIBUIDOR	COUVERCLE DISTRIBUTEUR
13	326587	WATER INLET AC DI12,5 L1,5M	TUBO ENTRADA AC DI12,5 L1,5M	FLEXIBLE ENTRÉE AC DI12,5 L1,5
14	410613	WATER INLET HOSE	TUBO ENTRADA AGUA	TUYAU ENTRÉE EAU
15	411397	WATER INLET HOSE	TUBO ENTRADA AGUA	TUBE ENTREE EAU
16	427187	WATER INLET HOSE	TUBO ENTRADA AGUA	TUBE ENTREE EAU
17	427195	WATER INLET HOSE	TUBO ENTRADA AGUA	TUBE ENTREE EAU
18	427211	WATER INLET HOSE	TUBO ENTRADA AGUA	TUBE ENTREE EAU
19	427229	WATER INLET HOSE	TUBO ENTRADA AGUA	TUBE ENTREE EAU
20	430934	WATER INLET HOSE	TUBO ENTRADA AGUA	TUBE ENTREE EAU
21	333690	WATER INLET NUT	TUERCA ENTRADA AGUA	ECROU ENTREE EAU
22	333708	VALVE EV220A 14B G12E NC000	VALVULA EV220A 14B G12E NC000	VANNE EV220A 14B G12E NC000



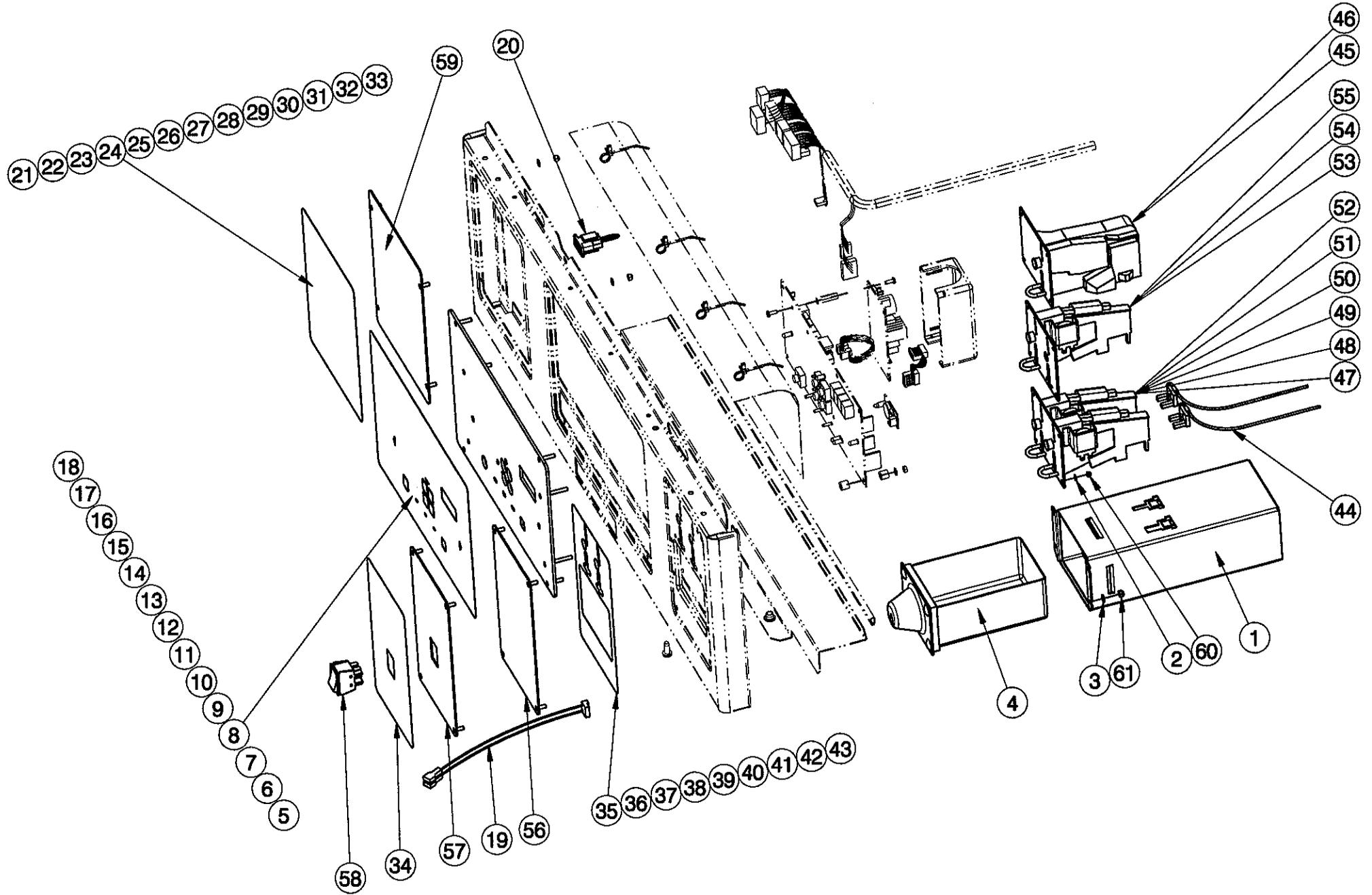
N°	REF.	DENOMINATION	DENOMINACIÓN	DÉNOMINATION
1	333450	WASHER D137XD2	ABRAZ.ALAMBRE D137XD2	RONDELLE D137XD2
2	340505	WASHER D58XD2	ABRAZ.ALAMBRE D58XD2	RONDELLE D58XD2
3	333443	WASHER SWHCFS 8780	ABRAZ.ALAMBRE SWHCFS 8780	RONDELLE SWHCFS 8780
4	156109	CLAMP 301503-8 D16-25	ABRAZ.ASFA 16-27L REF.301653-2	BRIDE 301503-8 D16-25
5	132290	CLAMP 301508-9 D50-70	ABRAZ.ASFA-S W2 50-70 301706-8	BRIDE 301508-9 D50-70
6	132324	CLAMP 301509-7 D60-80	ABRAZ.MIKALOR 301509-7 D60-80	BRIDE 301509-7 D60-80
7	132340	CLAMP 301510-0 D80-100	ABRAZ.ASFA-SW2 80-100 301709-2	BRIDE 301510-0 D80-100
8	323675	CLAMP NORMA 22HC0593	ABRAZADERA NORMA 22HC0593	COLLIER NORMA 22HC0593
9	131508	FLEXIBLE RING E-17 DIN 471	ANILLO ELASTICO E-17 DIN 471	BAGUE ELASTIQUE E-17 DIN 471
10	149526	BICR.WASHER B DIN125-ST 6,4	ARAN.B DIN125-ST BICR. 6,4	RONDELLE B DIN125-ST BICR.6,4
11	140525	CLAMP 2244-0	BRIDA UNEX 2244-0	BRIDE 2244-0
12	333534	RUBBER ELBOW 379X67	CODO GOMA 379X67	COUDE GOMME 379X67
13	163253	DRAIN OUTLET HOSE	TUBO SALIDA DESAGÜE	TUBE SORTIE VIDANGE
14	328641	DISTRIBUTOR ASSEMBLY	CONJUNTO DISTRIBUIDOR	ENSEMBLE DISTRIBUTEUR
15	326868	FOAM SILICONE CORD D3	CORDON SILICONA ESPONJOSA D4	CORD SILICONE EPONGE D3
16	321331	SOAP DISPENSER BODY	CUERPO DOSIFICADOR	CORPS BAC A PRODUITS
17	333518	OUTERDRUM COLLECTOR BELLOWS	FUELLE COLECTOR ENVOLVENTE	DURITE COLLECTEUR CUVE
18	333500	OUTERDRUM DRAIN BELLOWS	FUELLE DESAGÜE ENVOLVENTE	DURITE VIDANGE CUVE
20	159681	TORIC GASKET 50X56X3 RE.2676	JUNTA TORICA 50X56X3 REF.2676	JOINT TORIQUE 50X56X3 REF.2676
21	333575	DRAIN SLEEVE	MANGUITO DESAGÜE	FRETTE VIDANGE
22	423228	DRAIN PROTECTION	PROTECCION DESAGÜE	PROTECTION VIDANGE
23	321349	WATER INLET RACCORD	RACOR ENTRADA AGUA DIRECTA	RACCORD ENTREE EAU
24	333559	OVERFLOW COVER	TAPA REBOSADERO	COUVERCLE DEVERSOIR
25	156687	CONICAL END-PIECE R-16 D16	TOPE CONICO REPRIMSA R-16 D16	ARRET CONIQUE R-16 D16
26	333625	SCREW T25 M6X15	TOR.ALOM.T25 AR.18ESTR.M6X15	VIS T25 M6X15
27	326660	SCREW PT K40X12 WN1451-TORX	TOR.CELO 412RFX87T INOXA2 4X12	VIS PT K40X12 WN1451-TORX
28	321380	ASPIRATION HOSE	TUBO ASPIRACION	TUBE ASPIRATION
29	429803	DRAIN HOSE	TUBO DESAGÜE	TUBE VIDANGE
31	338889	VAPOUR OUTLET HOSE	TUBO DESVAPORIZADOR	TUBE SORTIE CONDENSATS
32	427419	OVERFLOW HOSE	TUBO REBOSADERO	TUBE DEVERSOIR

N°	REF.	DENOMINATION	DENOMINACIÓN	HS6017 431726A 12B	DÉNOMINATION
33	176834	SELFBLOCKING NUT DIN985 M-6	TUER.AUTOBL.DIN985-8 BICR.M 6		ECROU AUTOBLOCANT DIN985 M-6



N°	REF.	DENOMINATION	DENOMINACIÓN	DÉNOMINATION
1	326132	CLAMP WIT-18RA-4-01	ABRAZADERA ABA-036-48-0152-B	BRIDE WIT-18RA-4-01
2	149476	BICR.WASHER B DIN125-ST 4,3	ARAN.B DIN125-ST BICR. 4,3	RONDELLE B DIN125-ST BICR.4,3
3	192294	YELLOW RING	ARO AMARILLO	BAGUE JAUNE
4	341701	ELECTRIC WIRING	CABLEADO ELECTRICO	CABLES ELECTRIQUES
5	342741	WASHER-EXTRACTOR PLATE LC DA	CARATULA LAVADORA LC DA	PLAQUE LAVEUSE LC DA
6	338715	WASHER-EXTRACTOR PLATE LC DE	CARATULA LAVADORA LC DE	PLAQUE LAVEUSE LC DE
7	342782	WASHER-EXTRACTOR LC EL	CARATULA LAVADORA LC EL	PLAQUE LAVEUSE LC EL
8	303719	WASHER-EXTRACTOR PLATE LC EN	CARATULA LAVADORA LC EN	PLAQUE LAVEUSE LC EN
9	338699	WASHER-EXTRACTOR PLATE LC ES	CARATULA LAVADORA LC ES	PLAQUE LAVEUSE LC ES
10	342840	WASHER-EXTRACTOR PLATE LC FI	CARATULA LAVADORA LC FI	PLAQUE LAVEUSE LC FI
11	338707	WASHER-EXTRACTOR PLATE LC FR	CARATULA LAVADORA LC FR	PLAQUE LAVEUSE LC FR
12	338723	WASHER-EXTRACTOR PLATE LC IT	CARATULA LAVADORA LC IT	PLAQUE LAVEUSE LC IT
13	342865	WASHER-EXTRACTOR PLATE LC JA	CARATULA LAVADORA LC JA	PLAQUE LAVEUSE LC JA
14	342808	WASHER-EXTRACTOR PLATE LC NL	CARATULA LAVADORA LC NL	PLAQUE LAVEUSE LC NL
15	342725	WASHER-EXTRACTOR PLATE LC NO	CARATULA LAVADORA LC NO	PLAQUE LAVEUSE LC NO
16	342881	WASHER-EXTRACTOR PLATE LC PT	CARATULA LAVADORA LC PT	PLAQUE LAVEUSE LC PT
17	342766	WASHER-EXTRACTOR PLATE LC SV	CARATULA LAVADORA LC SV	PLAQUE LAVEUSE LC SV
18	341271	LC WASHER-EXTR.PLATE VIKING	CARATULA LAVADORA LC VIKING	PLAQUE LAVEUSE LC VIKING
19	322677	CLOCK CIRCUIT	CIRCUITO RELOJ	CIRCUIT HORLOGE
20	338186	IDENTIFICATION CENNECTOR	CONECTORA IDENTIFICACION	CONNECTEUR IDENTIFICATION
21	342451	INSTALLATION PLUG	CONECTORA INSTALACION	CONNECTEUR INSTALLATION
22	342006	EMERGENCY STOP PLUG	CONECTORA PARO EMERGENCIA	CONNECTEUR ARRET EMERGENCE
23	192021	PROFILE	ENCUADERNADOR P (NEGRO) 2MT.	PROFILE
24	342931	SAFETY INSTR.LABEL DA	ETIQUETA INSTR. SEGURIDAD DA	ETIQUETTE INSTR.SECURITE DA
25	338756	SAFETY INSTR.LABEL DE	ETIQUETA INSTR.SEGURIDAD DE.	ETIQUETTE INSTR.SECURITE DE
26	342972	SAFETY INSTR.LABEL EL	ETIQUETA INSTR. SEGURIDAD EL	ETIQUETTE INSTR.SECURITE EL
27	338020	SAFETY INSTR.LABEL EN	ETIQUETA INSTR. SEGURIDAD EN	ETIQUETTE INSTR.SECURITE EN
28	338731	SAFETY INSTR.LABEL ES	ETIQUETA INSTR.SEGURIDAD ES.	ETIQUETTE INSTR.SECURITE ES
29	343012	SAFETY INSTR.LABEL FI	ETIQUETA INSTR, SEGURIDAD FI	ETIQUETTE INSTR.SECURITE FI
30	338749	SAFERY INSTR.LABEL FR	ETIQUETA INSTR.SEGURIDAD FR.	ETIQUETTE INSTR.SECURITE FR

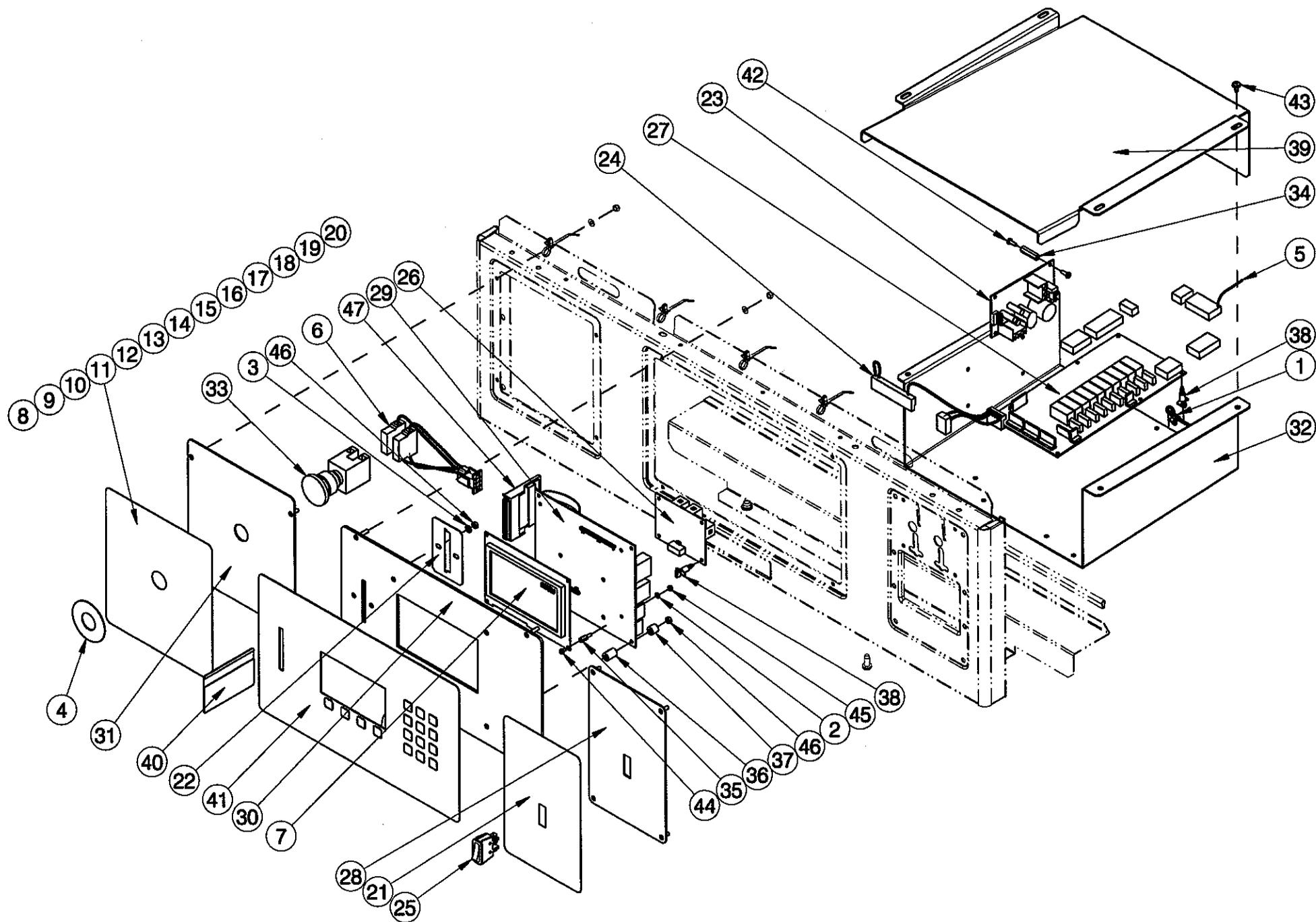
N°	REF.	DENOMINATION	DENOMINACIÓN	DÉNOMINATION
31	338764	SAFETY INSTR.LABEL IT	ETIQUETA INSTR.SEGURIDAD IT.	ETIQUETTE INSTR.SECURITE IT
32	343046	SAFETY INSTR.LABEL JA	ETIQUETA INSTR. SEGURIDAD JA	ETIQUETTE INSTR.SECURITE JA
33	342998	SAFETY INSTR.LABEL NL	ETIQUETA INSTR. SEGURIDAD NL	ETIQUETTE INSTR.SECURITE NL
34	342915	SAFETY INSTR.LABEL NO	ETIQUETA INSTR. SEGURIDAD NO	ETIQUETTE INSTR.SECURITE NO
35	343061	SAFETY INSTR.LABEL PT	ETIQUETA INSTR. SEGURIDAD PT	ETIQUETTE INSTR.SECURITE PT
36	342956	SAFETY INSTR.LABEL SV	ETIQUETA INSTR. SEGURIDAD SV	ETIQUETTE INSTR.SECURITE SV
37	338012	START-STOP LABEL	ETIQUETA MARCHA-PARO	ETIQUETTE MARGE-ARRET
38	332718	FEEDING SOURCE MW PS-25-12	FUENTE ALIMENT.MW PS-25-12	FONT ALIMENT.MW PS-25-12
39	300780	SWITCH 1WIXII/3359 WHITE	INTER.PILOTO 1WIXII/3359 BLANC	INTERRUPTEUR 1WIXII/3359 BLANC
40	431676	CONTROL PANEL	PANEL DE MANDOS	PANNEAU DE COMMANDES
41	341529	EMERGENCY STOP LC	PARO EMERGENCIA LC	ARRET EMERGENCE LC
42	423434	CONTROL PANEL PROFILE	PERFIL PANEL DE MANDOS	PROFILE PANNEAU DE COMMANDES
43	421263	SWITCH PLATE	PLACA INTERRUPTOR	PLAQUE INTERRUPTEUR
44	332361	MICROPROCESSOR BOARD HS-60**	PLACA MICROPROCESADOR HS-60**	PLAQUE MICROPROCESSEUR HS-60**
45	429894	CONTROL PANEL PLATE	PLACA PANEL DE MANDOS	PLAQUE PANNEAU DE COMMANDES
46	429886	EMERGENCY STOP PLATE	PLACA PARO EMERGENCIA	PLAQUE ARRET EMERGENCE
47	430454	MICRO BOARD PROTECTION	PROTECCION PLACA MICRO	PROTECTION PLAQUE MICRO
48	322685	SEPARATOR HEX.HS6-8	SEPARADOR EXAGONAL HS6-8	SEPARATEUR HEX. HS6-8
49	322768	SEPARATOR CIL.SS8-3L CPVC	SEPARADOR PLACA MICRO	SEPARATEUR CIL.SS8-3L CPVC
50	326843	MICROPROCESSOR PLATE COVER	TAPA PLACA MICROPROCESADOR	COUVERCLE PLAQUE MICROPROSSEUR
51	333294	SCREW T25 M6X15	TOR.ALOM.T25 AR.18ESTR.M 6X15	VIS T25 M6X15
52	322693	SCREW PT KB35X10 WN1412	TOR.CELO 3510RF81T 3.5X10	VIS PT KN35X10 WN1412
53	132043	SELFBLOCKING NUT DIN985 M 4	TUER.AUTOBL.DIN985-8 BICR.M 4	ECROU AUTOBLOCANT DIN985 M 4
54	150185	BICR.HEX.NUT DIN934-8 M4	TUER.EX.DIN934-8 BICR.M 4	ECROU HEX.DIN934-8 BICR.M4



N°	REF.	DENOMINATION	DENOMINACIÓN	DÉNOMINATION
1	322313	COIN BOX SUPPORT	APOYO CAJON MONEDAS	APPUI BOITE MONNAIE
2	149484	BICR.WASHER B DIN125-ST 3,2	ARAN.B DIN125-ST BICR. 3,2	RONDELLE B.DIN125-ST BICR. 3,2
3	149476	BICR.WASHER B DIN125-ST 4,3	ARAN.B DIN125-ST BICR. 4,3	RONDELLE B DIN125-ST BICR.4,3
4	169169	COIN BOX UG400A GI	CAJA MONEDAS UG400A GI	BOITE MONNAIE UG400A GI
5	342733	WASHER-EXTRACTOR PLATE CC DA	CARATULA LAVADORA CC DA	PLAQUE LAVEUSE CC DA
6	338673	WASHER-EXTRACTOR PLATE CC DE	CARATULA LAVADORA CC DE	PLAQUE LAVEUSE CC DE
7	342774	WASHER-EXTRACTOR PLATE CC EL	CARATULA LAVADORA CC EL	PLAQUE LAVEUSE CC EL
8	303701	WASHER-EXTRACTOR PLATE CC EN	CARATULA LAVADORA CC EN	PLAQUE LAVEUSE CC EN
9	338657	WASHER-EXTRACTOR PLATE CC ES	CARATULA LAVADORA CC ES	PLAQUE LAVEUSE CC ES
10	342832	WASHER-EXTRACTOR PLATE CC FI	CARATULA LAVADORA CC FI	PLAQUE LAVEUSE CC FI
11	338665	WASHER-EXTRACTOR PLATE CC FR	CARATULA LAVADORA CC FR	PLAQUE LAVEUSE CC FR
12	338681	WASHER-EXTRACTOR PLATE CC IT	CARATULA LAVADORA CC IT	PLAQUE LAVEUSE CC IT
13	342857	WASHER-EXTRACTOR PLATE CC JA	CARATULA LAVADORA CC JA	PLAQUE LAVEUSE CC JA
14	342790	WASHER-EXTRACTOR PLATE CC NL	CARATULA LAVADORA CC NL	PLAQUE LAVEUSE CC NL
15	342717	WASHER-EXTRACTOR PLATE CC NO	CARATULA LAVADORA CC NO	PLAQUE LAVEUSE CC NO
16	342873	WASHER-EXTRACTOR PLATE CC PT	CARATULA LAVADORA CC PT	PLAQUE LAVEUSE CC PT
17	342758	WASHER-EXTRACTOR PLATE CC SV	CARATULA LAVADORA CC SV	PLAQUE LAVEUSE CC SV
18	339390	WASHER-EXTRAC.PLATE CC USA/CAN	CARATULA LAVADORA CC USA/CAN	PLAQUE LAVEUSE CC USA/CAN
19	411678	COIN-METER PLUG (FOR MOD. CC-CP)	CONECTORA MONEDERO (PARA MOD. CC-CP)	CONNECTEUR MONNAYEUR (POUR MOD. CC-CP)
20	341990	EMERGENCY STOP PLUG	CONECTORA PARO EMERGENCIA	CONNECTEUR ARRET EMERGENCE
21	342949	SAFETY INSTR.LABEL DA	ETIQUETA INSTR. SEGURIDAD DA	ETIQUETTE INSTR.SECURITE DA
22	339218	SAFETY INSTR.LABEL DE	ETIQUETA INSTR.SEGURIDAD DE.	ETIQUETTE INSTR.SECURITE DE
23	342980	SAFETY INSTR.LABEL EL	ETIQUETA INSTR. SEGURIDAD EL	ETIQUETTE INSTR.SECURITE EL
24	303693	SAFETY INSTR.LABEL EN	ETIQUETA INSTR. SEGURIDAD EN	ETIQUETTE INSTR.SECURITE EN
25	339192	SAFETY INSTR.LABEL ES	ETIQUETA INSTR.SEGURIDAD ES.	ETIQUETTE INSTR.SECURITE ES
26	343020	SAFETY INSTR.LABEL FI	ETIQUETA INSTR. SEGURIDAD FI	ETIQUETTE INSTR.SECURITE FI
27	339200	SAFETY INSTR.LABEL FR	ETIQUETA INSTR.SEGURIDAD FR.	ETIQUETTE INSTR.SECURITE FR
28	339226	SAFETY INSTR.LABEL IT	ETIQUETA INSTR.SEGURIDAD IT.	ETIQUETTE INSTR.SECURITE IT
29	343053	SAFETY INSTR.LABEL JA	ETIQUETA INSTR. SEGURIDAD JA	ETIQUETTE INSTR.SECURITE JA

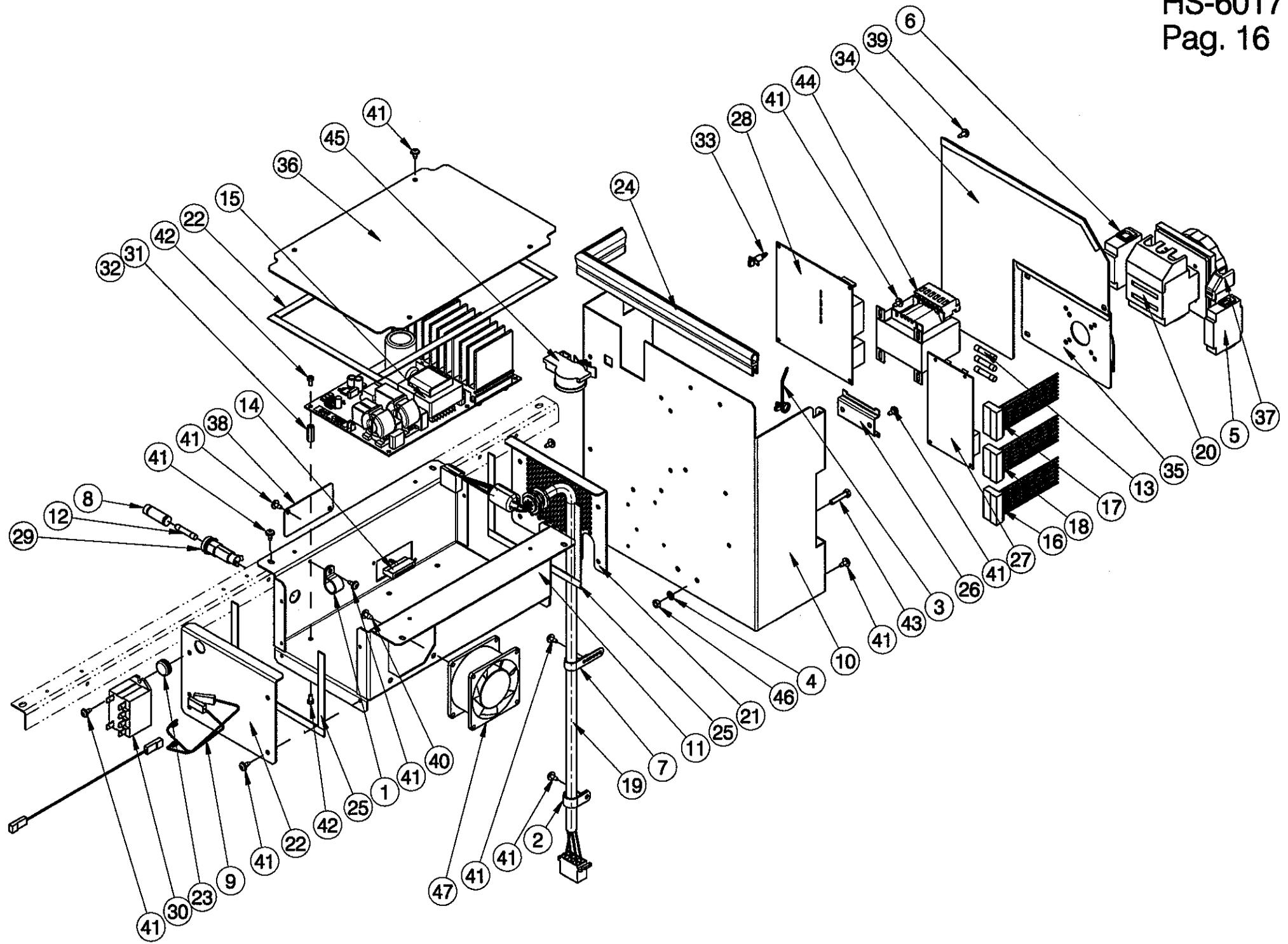
N°	REF.	DENOMINATION	DENOMINACIÓN	DÉNOMINATION
30	343004	SAFETY INSTR.LABEL NL	ETIQUETA INSTR. SEGURIDAD NL	ETIQUETTE INSTR.SECURITE NL
31	342923	SAFETY INSTR.LABEL NO	ETIQUETA INSTR. SEGURIDAD NO	ETIQUETTE INSTR.SECURITE NO
32	343079	SAFETY INSTR.LABEL PT	ETIQUETA INSTR. SEGURIDAD PT	ETIQUETTE INSTR.SECURITE PT
33	342964	SAFETY INSTR.LABEL SV	ETIQUETA INSTR. SEGURIDAD SV	ETIQUETTE INSTR.SECURITE SV
34	429878	START-STOP LABEL CP	ETIQUETA MARCHA-PARO CP	ETIQUETTE MARCHE-ARRET CP
35	339325	COINMETER LABEL CC-MD EUR	ETIQUETA MONEDERO CC-MD EUR	ETIQUETTE MONNAYEUR CC-MD EUR
36	339507	COINMETER LABEL CC-MD GBP	ETIQUETA MONEDERO CC-MD GBP	ETIQUETTE MONNAYEUR CC-MD GBP
37	339515	COINMETER LABEL CC-MD NIS	ETIQUETA MONEDERO CC-MD NIS	ETIQUETTE MONNAYEUR CC-MD NIS
38	339499	COINMETER LABEL CC-MD USD	ETIQUETA MONEDERO CC-MD USD	ETIQUETTE MONNAYEUR CC-MD USD
39	342550	COINMETER LABEL CC-MD YEN	ETIQUETA MONEDERO CC-MD YEN	ETIQUETTE MONNAYEUR CC-MD YEN
40	339549	COINMETER LABEL CC-MS-25C	ETIQUETA MONEDERO CC-MS-25C	ETIQUETTE MONNAYEUR CC-MS-25C
41	339564	COINMETER LABEL CC-MS YEN	ETIQUETA MONEDERO CC-MS YEN	ETIQUETTE MONNAYEUR CC-MS YEN
42	339523	COINMETER LABEL CC-MS-FG	ETIQUETA MONEDERO CC-MS-FG	ETIQUETTE MONNAYEUR CC-MS-FG
43	339234	COINMETER LABEL CC-MU	ETIQUETA MONEDERO CC-MU	ETIQUETTE MONNAYEUR CC-MU
44	326124	OPTOISOLATOR FIXATION KIT	KIT FIJACION OPTOACOPLADOR	KIT FIXATION OPTOISOLATEUR
45	327353	COIN-METER EMP 500	MONEDERO EMP 500 EUROS	MONNAYEUR EMP 500
46	411223	COIN-METER EMP 500	MONEDERO EMP 500 NO EUROS	MONNAYEUR EMP 500
47	323741	COIN-METER F60.1W2403/0.2/2EUR	MONEDERO F60.1 0,20/2,00EUR	MONNAYEUR F60.1W2403/ 0.2/2EUR
48	326892	COIN-METER F60 1W2004-M3 12VAC	MONEDERO F60.1 0,25/1,00CAD	MONNAYEUR F60,1 0,25/1,00CAD
49	323659	COIN-METER F60 1W2004-M3 12VAC	MONEDERO F60.1 0,25/1,00USD	MONNAYEUR F60 1W2004-M3 12VAC
50	326769	COIN-METER F60.1 0,50/1,00 GBP	MONEDERO F60.1 0,50/1,00GBP	MONNAYEUR F60.1 0,50/1,00 GBP
51	326835	COIN-METER F60.1 1,00/5,00ILS	MONEDERO F60.1 1,00/5,00ILS	MONNAYEUR F60.1 1,00/5,00 ILS
52	431007	COINMETER F60.1 100/500 JPY	MONEDERO F60.1 100/500 JPY	MONNAYEUR F60.1 100/500 JPY
53	323642	COIN-METER F60,11W2004-M112VAC	MONEDERO F60.11 0,25USD	MONNAYEUR F60.11W2004-M1 12VAC
54	326777	COIN-METER F60.11 100YEN	MONEDERO F60.11 100YEN	MONNAYEUR F60.11 100YEN
55	323733	COIN-METER F60.11W2000-TOKEN G	MONEDERO F60.11 FICHA GIRBAU	MONNAYEUR F60.11W2000 JETON GI
56	428656	BLIND PLATE	PLACA CIEGA	PLAQUE AVEUGLE
57	422998	SWITCH PLATE	PLACA INTERRUPTOR	PLAQUE INTERRUPTEUR
58	138339	PUSH-BUTTON 2WIXII/5518 (WITH PUSH-BUTTON)	PULSADOR 2WIXII/5518 (CON PULSADOR)	BOUTON-POUSSOIR 2WIXII/5518 (AVEC BOUTON-POUSSOIR)

N°	REF.	DENOMINATION	DENOMINACIÓN	DÉNOMINATION
59	422972	CONTROL PANEL COVER	TAPA PANEL DE MANDOS	COUVERCLE PANNEAU DE COMMANDES
60	129692	SELFBLOCKING NUT DIN985 M 3	TUER.AUTOBL.DIN985-8 BICR.M 3	ECROU AUTOBLOCANT DIN985 M 3
61	132043	SELFBLOCKING NUT DIN985 M 4	TUER.AUTOBL.DIN985-8 BICR.M 4	ECROU AUTOBLOCANT DIN985 M 4



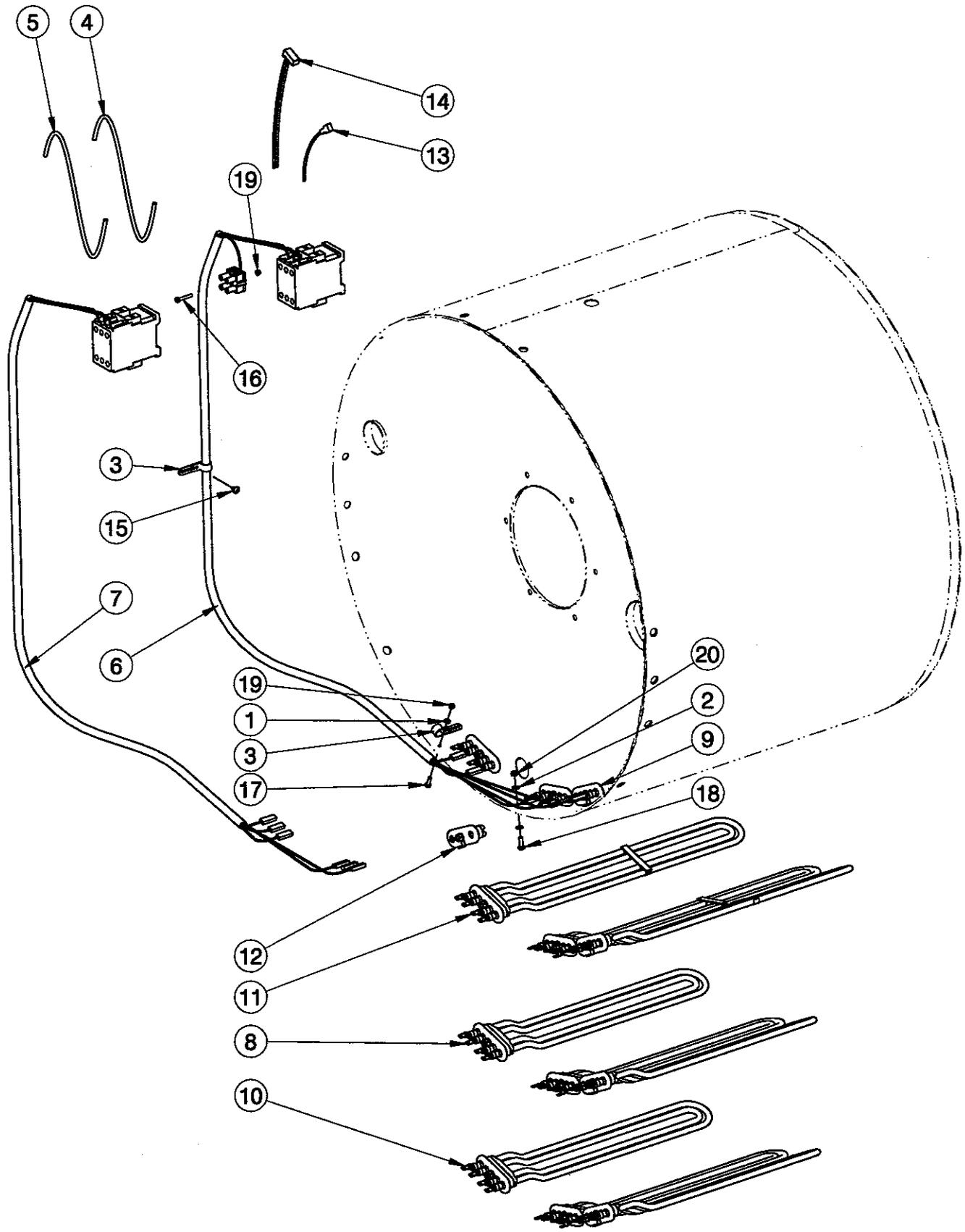
N°	REF.	DENOMINATION	DENOMINACIÓN	DÉNOMINATION
1	326132	CLAMP WIT-18RA-4-01	ABRAZADERA ABA-036-48-0152-B	BRIDE WIT-18RA-4-01
2	149484	BICR.WASHER B DIN125-ST 3,2	ARAN.B DIN125-ST BICR. 3,2	RONDELLE B.DIN125-ST BICR. 3,2
3	149476	BICR.WASHER B DIN125-ST 4,3	ARAN.B DIN125-ST BICR. 4,3	RONDELLE B DIN125-ST BICR.4,3
4	192294	YELLOW RING	ARO AMARILLO	BAGUE JAUNE
5	341750	ELECTRIC WIRING	CABLEADO ELECTRICO	CABLAGE ELECTRIQUE
6	342014	EMERGENCY STOP PLUG	CONECTORA PARO EMERGENCIA	CONNECTEUR ARRET EMERGENCE
7	332676	DISPLAY LCD 240X128 INTELI	DISPLAY LCD 240X128 INTELI	DISPLAY LCD 240X128 INTELI
8	342931	SAFETY INSTR.LABEL DA	ETIQUETA INSTR. SEGURIDAD DA	ETIQUETTE INSTR.SECURITE DA
9	338756	SAFETY INSTR.LABEL DE	ETIQUETA INSTR.SEGURIDAD DE.	ETIQUETTE INSTR.SECURITE DE
10	342972	SAFETY INSTR.LABEL EL	ETIQUETA INSTR. SEGURIDAD EL	ETIQUETTE INSTR.SECURITE EL
11	338020	SAFETY INSTR.LABEL EN	ETIQUETA INSTR. SEGURIDAD EN	ETIQUETTE INSTR.SECURITE EN
12	338731	SAFETY INSTR.LABEL ES	ETIQUETA INSTR.SEGURIDAD ES.	ETIQUETTE INSTR.SECURITE ES
13	343012	SAFETY INSTR.LABEL FI	ETIQUETA INSTR, SEGURIDAD FI	ETIQUETTE INSTR.SECURITE FI
14	338749	SAFERY INSTR.LABEL FR	ETIQUETA INSTR.SEGURIDAD FR.	ETIQUETTE INSTR.SECURITE FR
15	338764	SAFETY INSTR.LABEL IT	ETIQUETA INSTR.SEGURIDAD IT.	ETIQUETTE INSTR.SECURITE IT
16	343046	SAFETY INSTR.LABEL JA	ETIQUETA INSTR. SEGURIDAD JA	ETIQUETTE INSTR.SECURITE JA
17	342998	SAFETY INSTR.LABEL NL	ETIQUETA INSTR. SEGURIDAD NL	ETIQUETTE INSTR.SECURITE NL
18	342915	SAFETY INSTR.LABEL NO	ETIQUETA INSTR. SEGURIDAD NO	ETIQUETTE INSTR.SECURITE NO
19	343061	SAFETY INSTR.LABEL PT	ETIQUETA INSTR. SEGURIDAD PT	ETIQUETTE INSTR.SECURITE PT
20	342956	SAFETY INSTR.LABEL SV	ETIQUETA INSTR. SEGURIDAD SV	ETIQUETTE INSTR.SECURITE SV
21	338012	START-STOP LABEL	ETIQUETA MARCHA-PARO	ETIQUETTE MARCHE-ARRET
22	423020	CARD FIXING-PIECE SMARTCARD	FIJACION TARJETA SMARTCARD	FIXATION TARGETTE SMARTCARD
23	332718	FEEDING SOURCE MW PS-25-12	FUENTE ALIMENT.MW PS-25-12	FONT ALIMENT.MW PS-25-12
24	341875	CONNECTION ELEC.INST.A1-A5	INST. ELEC. CONEXION A1-A5	INST.ELEC.CONNECTION A1-A5
25	300780	SWITCH 1WIXII/3359 WHITE	INTER.PILOTO 1WIXII/3359 BLANC	INTERRUPTEUR 1WIXII/3359 BLANC
26	332635	COMMUNIC.PLATE COM-A(343616)	PLACA COMUNICA. COM-A(343616)	PLAQUE COMMUNICA.COM-A(343616)
27	332536	PLATE INTELI E/S-1/A	PLACA INTELI E/S-1/A	PLAQUE INTELI E/S-1/A
28	421263	SWITCH PLATE	PLACA INTERRUPTOR	PLAQUE INTERRUPTEUR
29	332643	MICROPROCESSOR BOARD INTELI	PLACA MICROPROCESADOR INTELI-A	PLAQUE MICROPROCESSEUR INTELI
30	429902	CONTROL PANEL PLATE	PLACA PANEL DE MANDOS	PLAQUE PANNEAU DE COMMANDE

N°	REF.	DENOMINATION	DENOMINACIÓN	DÉNOMINATION
31	429886	EMERGENCY STOP PLATE	PLACA PARO EMERGENCIA	PLAQUE ARRET EMERGENCE
32	431031	BRACKET PLATE E/S 1A	PLANCHA SOPORTE E/S 1A	PLAQUE SUPPORT E/S 1A
33	341511	EMERGENCY STOP IC	PARO EMERGENCIA IC	ARRET EMERGENCE IC
34	322685	SEPARATOR HEX.HS6-8	SEPARADOR EXAGONAL HS6-8	SEPARATEUR HEX. HS6-8
35	332759	HEX SEPARATOR HTSM-M3-10-5-2	SEPARADOR HEX.HTSM-M3-10-5-2	SEPARATEUR HEX HTSM-M3-10-5-2
36	338038	NYLON SEPARATOR D10XD5X14.7	SEPARADOR NYLON D10XD5X14.7	SEPARATEUR NYLON D10XD5X14.7
37	322768	SEPARATOR CIL.SS8-3L CPVC	SEPARADOR PLACA MICRO	SEPARATEUR CIL.SS8-3L CPVC
38	332809	CIRCUIT BRACKET LCBS-4-7-01	SOPORTE CIRCUITO LCBS-4-7-01	SUPPORT CIRCUIT LCBS-4-7-01
39	431015	SET COVER E/S 1A	TAPA CONJUNTO E/S 1A	COUVERCLE ENSEMBLE E/S 1A
41	338046	IC WASHER EXTRACTOR KEYBOARD	TECLADO LAVADORA IC	CLAVIER MACHINE A LAVER IC
42	322693	SCREW PT KB35X10 WN1412	TOR.CELO 3510RF81T 3.5X10	VIS PT KN35X10 WN1412
43	183400	CYL.PLATE SCREW ST-4 20 C/AL	TOR.CHAPA ST-4 20 C/AL.T25	VIS PLAQUE CYL.ST-4 20 C/AL
44	146019	BICR CYL SCREW DIN 84-4.8 M3X5	TOR.CIL.DIN84-4.8 BICR.M 3X 5	VIS CYL BICR.DIN 84-4.8 M 3X 5
45	149906	INOX. HEX. NUT DIN 934 M-3	TUER.EX.DIN934 INOX A2-70 M 3	ECROU HEX. INOX DIN934 M-3
46	150185	BICR.HEX.NUT DIN934-8 M4	TUER.EX.DIN934-8 BICR.M 4	ECROU HEX.DIN934-8 BICR.M4
47	332684	INTELI SMARTCARD SOCKET	ZOCALO TARJETA INTELI *	SOCLE TARGETTE SMARTCARD INTEL



N°	REF.	DENOMINATION	DENOMINACIÓN	DÉNOMINATION
1	323055	ALUMINIUM CLAMP AL2	ABRAZADERA ALUMINIO AL2	BRIDE ALUMINIUM AL2
2	332957	ALUMINIUM WASHER AL9	ABRAZADERA ALUMINIO AL9	RONDELLE ALUMINIUM AL9
3	326132	CLAMP WIT-18RA-4-01	ABRAZADERA ABA-036-48-0152-B	BRIDE WIT-18RA-4-01
4	149724	BICR EXT.TOOT.WASH.DIN6798 M5	ARAN.DEN.EXTER.BICR.DIN6798M 5	RONDEL DEN.EX.BICR.DIN6798 M5
5	328666	(FOR 380-400-415V)	BORNE N 3LD9220-0B (PARA 380-400-415V)	(POUR 380-400-415V)
6	320903	TERMINAL PE 3L9250-2B (FOR MACHINES ELECTR.HEATING)	BORNE PE 3LD9250-2B (PARA MODELOS CALEFAC.ELECTR.)	BORNE PE 3LD9250-2B (POUR MACHINES CHAUF.ELECTR.)
7	140418	CLAMP UNEX REF 1201	BRIDA UNEX 1201	BRIDE UNEX REF 1201
8	137661	BAYONET HEAD	CABEZA BAYONETA FEK.031.1613	TETE BAYONETTE
9	341818	CONVERTER WIRES	CABLES CONVERTIDOR	CABLES CONVERTISSEUR
10	431098	POWER INLET BOX	CAJA ENTRADA CORRIENTE	BOITE ENTREE COURANT
11	431049	VARIATOR BOX	CAJA VARIADOR	BOITE VARIATEUR
12	339127	FUSE SPT 0001.2534 10A	CART.FUSIB.SPT 0001.2534 10A	CARTOUCHE SPT 0001.2534 10A
13	321125	FUSE SPT 1 A	CART.FUSIB.SPT 0001.2524 1 A	CARTOUCHE FUS. SPT 1 A
14	341859	CONVERTER PLUG	CONECTORA CONVERTIDOR	CONNECTEUR CONVERTISSEUR
15	332734	FREQ.CONVERTER DANFOSS 1800	CONVERTIDOR FREQ.DANFOSS 1800	CONVERTISSEUR FREQ.DANFOSS1800
16	341974	ELECTROVALVE ELEC.INST. (FOR MOD. LOGI/COIN CONTROL)	INST. ELEC. ELECTROVALVULAS (PARA MOD. LOGI/COIN CONTROL)	INST.ELEC.ELECTROVANNES (POUR MOD. LOGI/COIN CONTROL)
17	342600	ELEC.INST. WITHOUT TRANSFORMER (EH040)	INST. ELEC. SIN TRANSFORMADOR (EH040)	INST.ELEC.SANS TRANSFORMATEUR (EH040)
18	341867	TRANSFORMER ELEC.INST. (HS-6017)	INST. ELEC. TRANSFORMADOR (HS-6017)	INST.ELEC.TRANSFORMATEUR (HS-6017)
19	341842	MOTOR ELEC.INST.	INST. ELEC. MOTOR	INST.ELEC.MOTEUR
20	320861	PAQUET.SWITCH.3LD2 504-0TK53 (FOR MACHINES ELECTR.HEATING)	INTERRUP.PAQUET.3LD2 504-0TK53 (PARA MODELOS CALEFAC.ELECTR.)	INTERRUP-PAQUET.3LD2 504-0TK53 (POUR MACHINES CHAUF.ELECTR.)
21	422535	VARIATOR BOX SIDE PANEL	LATERAL CAJA VARIADOR	LATERAL BOITE VARIATEUR
22	431056	VARIATOR BOX SIDE PANEL	LATERAL CAJA VARIADOR	LATERAL BOITE VARIATEUR
23	332601	SHEATH-LODGING DGB-7	PASAMUROS DGB-7	LOGEMENT DGB-7
24	431197	POWER INLET BOX PROFILE	PERFIL CAJA ENTRADA CORRIENTE	PROFILE BOITE ENTREE COURANT
25	321273	PROFILE E0819T00000 UL94HB	PERFIL E0813T00000 UL94HB	PROFILE E0819T00000 UL94HB
26	431106	CONTACTOR FIXING PROFILE	PERFIL FIJACION CONTACTORES	PROFILE FIXATION CONTACTEURS
27	332395	AUXILIARY PLATE HS-60**	PLACA AUXILIAR HS-60**	PLAQUE AUXILIAIRE HS-60**

N°	REF.	DENOMINATION	DENOMINACIÓN	DÉNOMINATION
28	332544	INTELI PLATE E/S-2/A (FOR MOD. INTELI CONTROL)	PLACA INTELI E/S-2/A (PARA MOD. INTELI CONTROL)	PLAQUE INTELI E/S-2/A (POUR MOD. INTELI CONTROL)
29	160119	FUSE HOLDER REF.FEC 031 1631	PORTAFUSIBLES REF.FEC.031.1631	PORTE-FUSIBLE REF.FEC 031 1631
30	322701	RELAY OMRON G7L-2A-TUB 12VDC	RELE OMRON G7L-2A-TUB 12VDC	RELAIS OMRON G7L-2A-TUB 12VDC
31	332726	HEX SEPARATOR HTSB-M4-20-7-1 (HS-6017)	SEPARADOR HEX.HTSB-M4-20-7-1 (HS-6017)	SEPARATEUR HEX HTSB-M4-20-7-1 (HS-6017)
32	341933	HEX SEPARATOR HTSN-M4-20-8-1 (EH040)	SEPARADOR HEX.HTSN-M4-20-8-1 (EH040)	SEPARATEUR HEX HTSN-M4-20-8-1 (EH040)
33	332809	CIRCUIT BRACKET LCBS-4-7-01	SOPORTE CIRCUITO LCBS-4-7-01	SUPPORT CIRCUIT LCBS-4-7-01
34	431684	POWER INLET COVER	TAPA ENTRADA CORRIENTE	COUVERCLE ENTREE COURANT
35	431114	SELECTOR COVER	TAPA SELECTOR	COUVERCLE SELECTEUR
36	431148	VARIATOR COVER	TAPA VARIADOR	COUVERCLE VARIATEUR
37	328674	TERMINAL COVER N 3LD9221-2A (FOR 380-400-415V)	TAPABORNES N 3LD9221-2A (PARA 380-400-415V)	COUVERCLE TERMINALS (POUR 380-400-415V)
38	430991	VARIATOR PLUG COVER	TAPETA CONECTOR VARIADOR	COUVERCLE CONNECTEUR VARIATEUR
39	328229	SCREW ALO.T25 AR.18ESTR M 4X10	TOR.ALOM.T25 AR.18ESTR.M 4X10	VIS ALOM.T25 AR.18ESTR.M 4X10
40	322750	SCREW FDS SF-M5X12PKS	TOR.CELO FT512FT85T M5X12	VIS.FDS SF-M5X12PKS
41	183400	CYL.PLATE SCREW ST-4 20 C/AL	TOR.CHAPA ST-4 20 C/AL.T25	VIS PLAQUE CYL.ST-4 20 C/AL
42	146076	BICR ROUND SCREW DIN84 M 4X 8	TOR.CIL.DIN84-4.8 BICR.M 4X 8	VIS ROND BICR DIN84-4.8 M 4X 8
43	146225	BI.HEX SCREW DIN933-8.8 M-5X25	TOR.EX.DIN933-8.8 BICR.M 5X 25	VIS HEX BICR.DIN933-8.8 M-5X25
44	320614	TRASFORMER IP00 100 VA (HS-6017)	TRANSFORMADOR IP00 100 VA (HS-6017)	TRANSFORMATEUR IP00 100 VA (HS-6017)
45	322784	PRESSURE TRANSMITTER 400.95100	TRANSM.PRESION HUBA 400.95100	PRESSOSTAT HUBA 400.95100
46	150177	BICR HEX NUT DIN934-8 M5	TUER.EX.DIN934-8 BICR.M 5	ECROU HEX DIN934-8 BIC.M5
47	420976	CONVERTER FAN	VENTILADOR CONVERTIDOR	VENTILATEUR CONVERTISSEUR



N°	REF.	DENOMINATION	DENOMINACIÓN	DÉNOMINATION
1	149476	BICR.WASHER B DIN125-ST 4,3	ARAN.B DIN125-ST BICR. 4,3	RONDELLE B DIN125-ST BICR.4,3
2	149534	BICR.WASHER B DIN125-ST 5,3	ARAN.B DIN125-ST BICR. 5,3	RONDELLE B BICR.DIN125-ST 5,3
3	140418	CLAMP UNEX REF 1201	BRIDA UNEX 1201	BRIDE UNEX REF 1201
4	341941	CONTACTOR FEEDING WIRES (FOR 380-400-415V)	CABLES ALIMENTACION CONTACTOR (PARA 380-400-415V)	CABLES ALIMENTATION CONTACTEUR (POUR 380-400-415V)
5	341958	CONTACTOR FEEDING WIRES (FOR 200-208-220-230-240V)	CABLES ALIMENTACION CONTACTOR (PARA 200-208-220-230-240V)	CABLES ALIMENTATION CONTACTEUR (POUR 200-208-220-230-240V)
6	341826	HEATING CONTACTOR WIRES (FOR THREE-PHASE)	CABLES CONTACTOR CALEFACCION (PARA TRIFASICO)	CABLES CONTACTEUR CHAUFFAGE (POUR TRIPHASE)
7	341834	HEATING CONTACTOR WIRES (FOR SINGLE-PHASE)	CABLES CONTACTOR CALEFACCION (PARA MONOFASICO)	CABLES CONTACTEUR CHAUFFAGE (POUR MONOPHASE)
8	332577	HEATER 230V 2000/1000 W	CALEFACTOR 230V 2000/1000 W	RESISTANCE 230V 2000/1000 W
9	333104	HEATER 230V 5000W	CALEFACTOR 230V 5000W	RESISTANCE 230V 5000W
10	332569	HEATER 240V 2000/1000W	CALEFACTOR 240V 2000/1000W	RESISTANCE 240V 2000/1000W
11	333112	HEATER 240V 5000W	CALEFACTOR 240V 5000W	RESISTANCE 240V 5000W
12	121962	HEATER INLET LID	CIERRE ENTRADA CALEFACTOR	FERMETURE ENTREE RESISTANCE
13	341891	HEATING AUX.ELEC.INST. (FOR MOD. INTELI CONTROL)	INST. ELEC. AUX. CALEFACCION (PARA MOD. INTELI CONTROL)	INST.ELEC.AUX.CHAUFFAGE (POUR MOD. INTELI CONTROL)
14	341966	HEATING RELAY ELEC.INST. (FOR MOD. LOGI/COIN CONTROL)	INST. ELEC. RELE CALEFACCION (PARA MOD. LOGI/COIN CONTROL)	INST.ELEC.RELAIS CHAUFFAGE (POUR MOD. LOGI/COIN CONTROL)
15	183400	CYL.PLATE SCREW ST-4 20 C/AL	TOR.CHAPA ST-4 20 C/AL.T25	VIS PLAQUE CYL.ST-4 20 C/AL
16	146183	BICR CYL SCREW DIN 84 M-4X25	TOR.CIL.DIN84-4.8 BICR.M 4X25	VIS CYL BICR DIN 84 M-4X25
17	146266	BICR.HEX SCREW DIN933-8 M-4X15	TOR.EX.DIN933-4.8 BICR.M 4X 15	VIS HEX BICR.DIN933-8.8 M-4X15
18	146282	BICR.HEX SCREW DIN933-8 M 5X15	TOR.EX.DIN933-8.8 BICR.M 5X 15	VIS HEX BICR.DIN933-8.8 M 5X15
19	132043	SELFBLOCKING NUT DIN985 M 4	TUER.AUTOBL.DIN985-8 BICR.M 4	ECROU AUTOBLOCANT DIN985 M 4
20	176826	SELF-BLOCKING NUT DIN 985 M-5	TUER.AUTOBL.DIN985-8 BICR.M 5	ECROU AUTOBLOCANT DIN 985 M-5

N°	REF.	DENOMINATION	DENOMINACIÓN	DÉNOMINATION
1	109777	COPPER GASKET 1/2"	12504 JUNTA COBRE 1/2"	JOINT CUIVRE 1,2"
2	149518	BICR.WASHER B DIN125-ST 8,4	ARAN.B DIN125-ST BICR. 8,4	RONDELLE.B DIN125-ST BICR.8,4
3	405415	COIL 240V 60HZ (FOR 60HZ)	BOBINA 240V.60HZ. (PARA 60 HZ)	BOBINE 240V 60HZ (POUR 60 HZ)
4	159806	COIL 32K7771 220/50 (FOR 50HZ)	BOBINA DANFOSS 32K7771 220/50 (PARA 50 HZ)	BOBINE 32K7771 220/50 (POUR 50 HZ)
5	121962	HEATER INLET LID (FOR MACHINES HEATING WITHOUT) (FOR MACHINES STEAM HEATING)	CIERRE ENTRADA CALEFACTOR (PARA MODELOS SIN CALEFACCION) (PARA MODELOS CALEF. VAPOR)	FERMETURE ENTREE RESISTANCE (POUR MACHINES SENS CHAUFAGE) (POUR MACHINES CHAUF.VAPEUR)
6	318030	VALVE BODY EVSIS 15 032U3095 (FOR 60HZ)	CUERPO VAL.EVSIS 15 032U3095 (PARA 60 HZ)	CORPS VANNE EVSIS 15 032U3095 (POUR 60 HZ)
7	108431	STEAM DISTRIBUTOR	DISTRIBUIDOR VAPOR	DISTRIBUTEUR VAPEUR
8	319558	ELECTROVALVE 032U3005/84 1/2" (FOR 50HZ)	ELECT.032U3005/84 1/2" 220/50 (PARA 50 HZ)	ELECTROVANNE 032U3005/84 1/2" (POUR 50 HZ)
9	129445	ELBOW FIG. 90 1/2" GALV.	FIGURA 90 DE 1/2" GALV.	COUDE FIG. 90 1/2" GALV.
10	129999	FIG 531 1/2" GALV	FIGURA 531 DE 1/2" GALV.	FIG 531 1/2" GALV
11	133728	THREADED FILTER 1/2" O'3 PN16	FILTRO COLAD. ROSC.1/2"0'3PN16	FILTRE FILETE 1/2" 0,3 PN16
12	341909	STEAM ELEC.INST. (FOR MOD.INTELI CTRL STEAM)	INST. ELEC. VAPOR (PARA MOD.INTELI CTRL A VAPOR)	INST.ELEC.VAPEUR (POUR MOD.INTELI CTRL A VAPEUR)
13	341917	STEAM ELEC.INST. (MOD.LOGI/COIN CTRL STEAM)	INST. ELEC. VAPOR (MOD.LOGI/COIN CTRL A VAPOR)	INST.ELEC.VAPEUR (MOD.LOGI/COIN CTRL A VAPEUR)
14	318063	SPARE KIT EVSIS 15 032U3172	KIT REPUES.EVSIS 15 032U3172	KIT RÉCHANGE EVSIS 15 032U3172
15	183525	MALE-FEMALE SLEEVE 1/2"	MANGUITO MACHO-HEMBRAL/2"LATON	FRETTE MALE-FEMELLE 1/2"
16	423137	STEAM INLET BRACKET	SOPORTE ENTRADA VAPOR	SUPPORT ENTREE VAPEUR
17	192849	BIC.HEX SCREW DIN933-8 M-8X25	TOR.EX.DIN933-8.8 BICR.M 8X 25	VIS HEX.DIN933-8,8 BICR.M-8X25
18	156216	JOINTING SCREW 10903 1/2"	10903 TORNILLO UNION MM1/2"	VIS UNION 10903 1/2"
19	164285	SELFBLOCKING NUT DIN985 M-8	TUER.AUTOBL.DIN985-8 BICR.M 8	ECROU AUTOBLOCANT DIN985 M-8
20	162305	STEAM INLET JOINTING	UNION ENTRADA VAPOR	UNION ENTREE VAPEUR