

Mod.	From serial no. A partir máq. nº
MS-617	2.040.001
EM040	1.390.001

# Parts Handbook for Washers

## Manual de Despiece para lavadoras

## Notice Vues Eclatées pour laveuses

# MS-617 / EM040

---

### **GIRBAU, S.A.**

Crta de Manlleu, km. 1  
08500 VIC (Barcelona) • SPAIN  
Tel. 34 93 8861100  
Fax 34 93 8860785  
girbau@girbau.es  
[www.girbau.com](http://www.girbau.com)

USA, CANADA:

### **CONTINENTAL GIRBAU Inc.**

2500 State Road 44  
WI 54904 Oshkosh • USA  
Tel. 1(920) 231-8222  
Fax 1(920) 231-4666  
info@continentalgirbau.com  
[www.continentalgirbau.com](http://www.continentalgirbau.com)

**Parts Handbook  
Despiece  
Vues Eclatées**

**MS-617  
EM040**

**NOTES TO USE PARTS LIST**

Sheets no. 1,2,3,4,5,10,13:  
Are common for all versions.

Sheets no. 6, 11:  
Logi Control

Sheets no. 6, 12:  
Coin Control

Sheet no. 7:  
Logi Control & Coin Control  
with high temperature valve

Sheet no. 14:  
Electric heating

Sheet no. 15:  
Steam heating

Sheet no. 8:  
EM040 Coin Control

Sheet no. 9:  
EM040 Coin Control with  
high temperature valve

**ACLARACIONES PARA EL USO DEL DESPIECE**

Hojas nº 1,2,3,4,5,10,13:  
Son comunes a todas las  
variantes.

Hojas nº 6, 11:  
Logi Control

Hojas nº 6, 12:  
Coin Control

Hoja nº 7:  
Logi Control y Coin Control  
con válvula alta temperatura

Hoja nº 14:  
Calefacción eléctrica

Hoja nº 15:  
Calefacción a vapor

Hoja nº 8:  
EM040 Coin Control

Hoja nº 9:  
EM040 Coin Control con  
válvula alta temperatura

**NOTES UTILISATION VUES ECLATEES**

Feuilles no. 1,2,3,4,5,10,13:  
Sont communes à toutes les  
versions.

Feuilles no. 6, 11:  
Logi Control

Feuilles no. 6, 12:  
Coin Control

Feuille no. 7:  
Logi Control et Coin Control  
avec vanne haute  
température

Feuille no. 14 :  
Chauffage électrique

Feuille no. 15 :  
Chauffage à vapeur

Feuille no. 8:  
EM040 Coin Control

Feuille no. 9:  
EM040 Coin Control avec  
vanne haute température

**VERY IMPORTANT:**

Before ordering parts be sure they have not been modified. Check it on modification sheet, after the corresponding sheet.

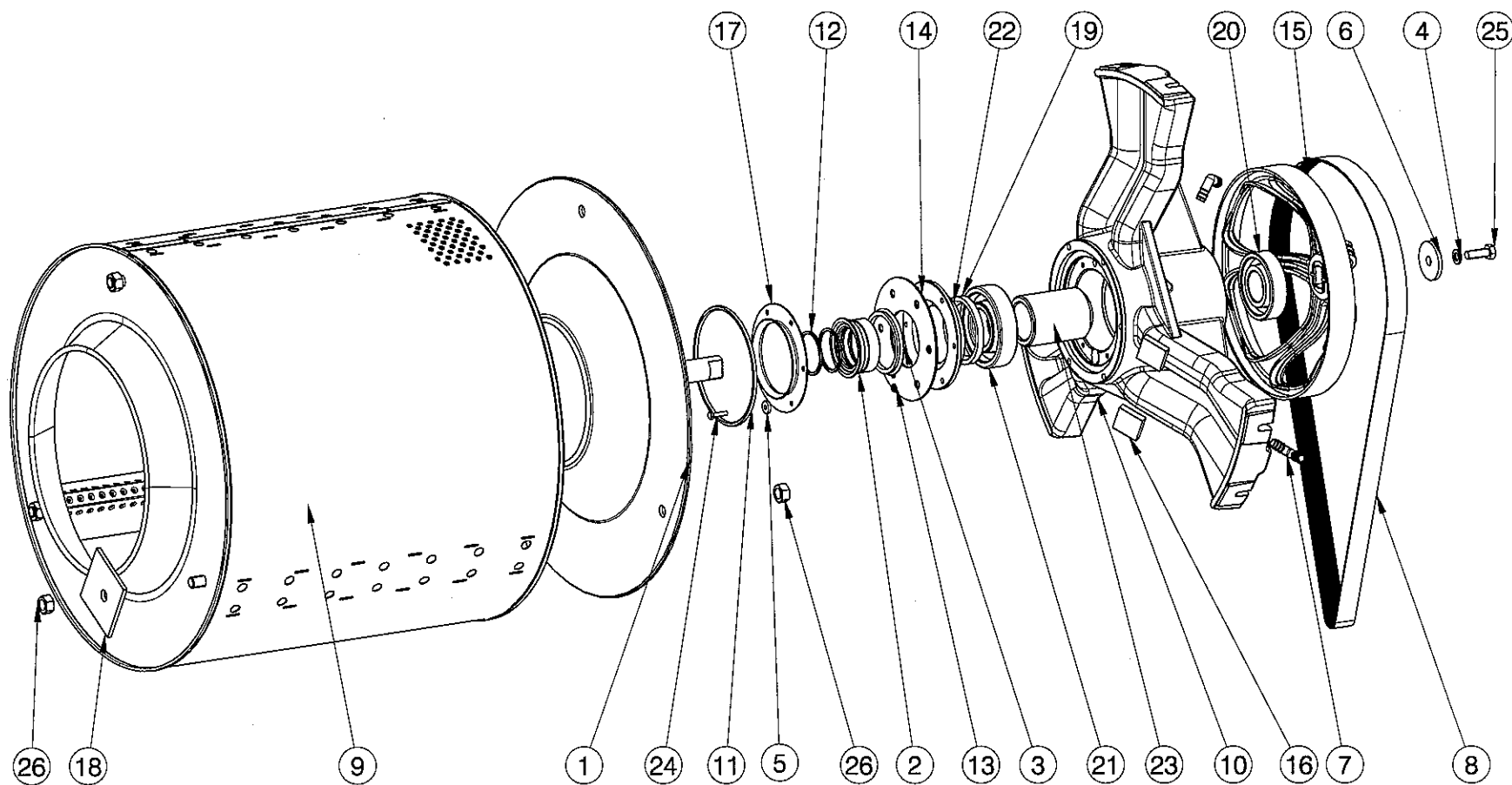
**MUY IMPORTANTE:**

Al pedir una pieza cerciorarse antes de que la misma no ha sido modificada. Si lo hubiese sido, estaría situada como hoja de modificaciones, detrás de la hoja correspondiente.

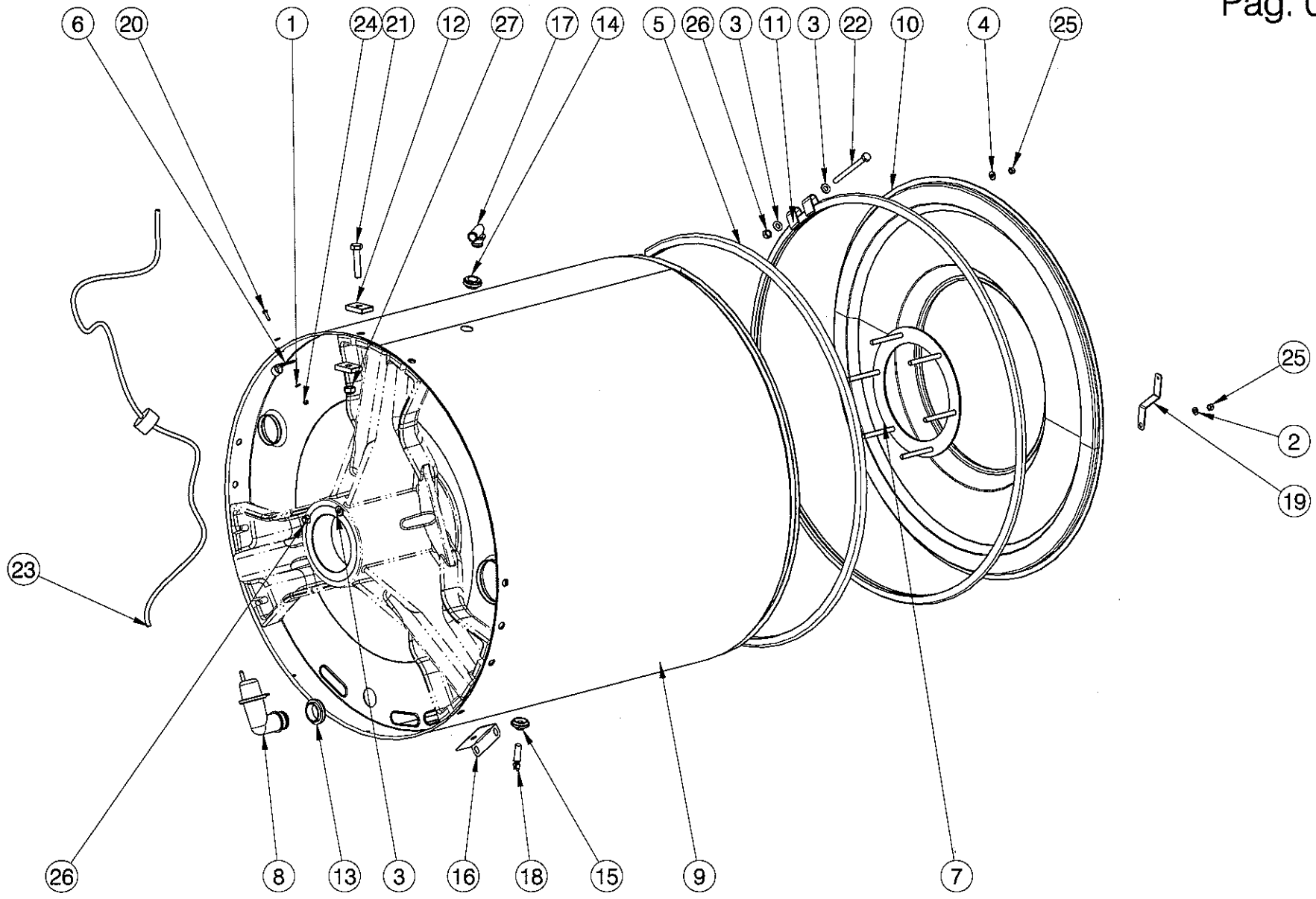
**TRES IMPORTANT:**

Avant de commander une pièce, s'assurer qu'elle n'a pas été modifiée. Le vérifier sur feuille de modifications, derrière la feuille correspondante.

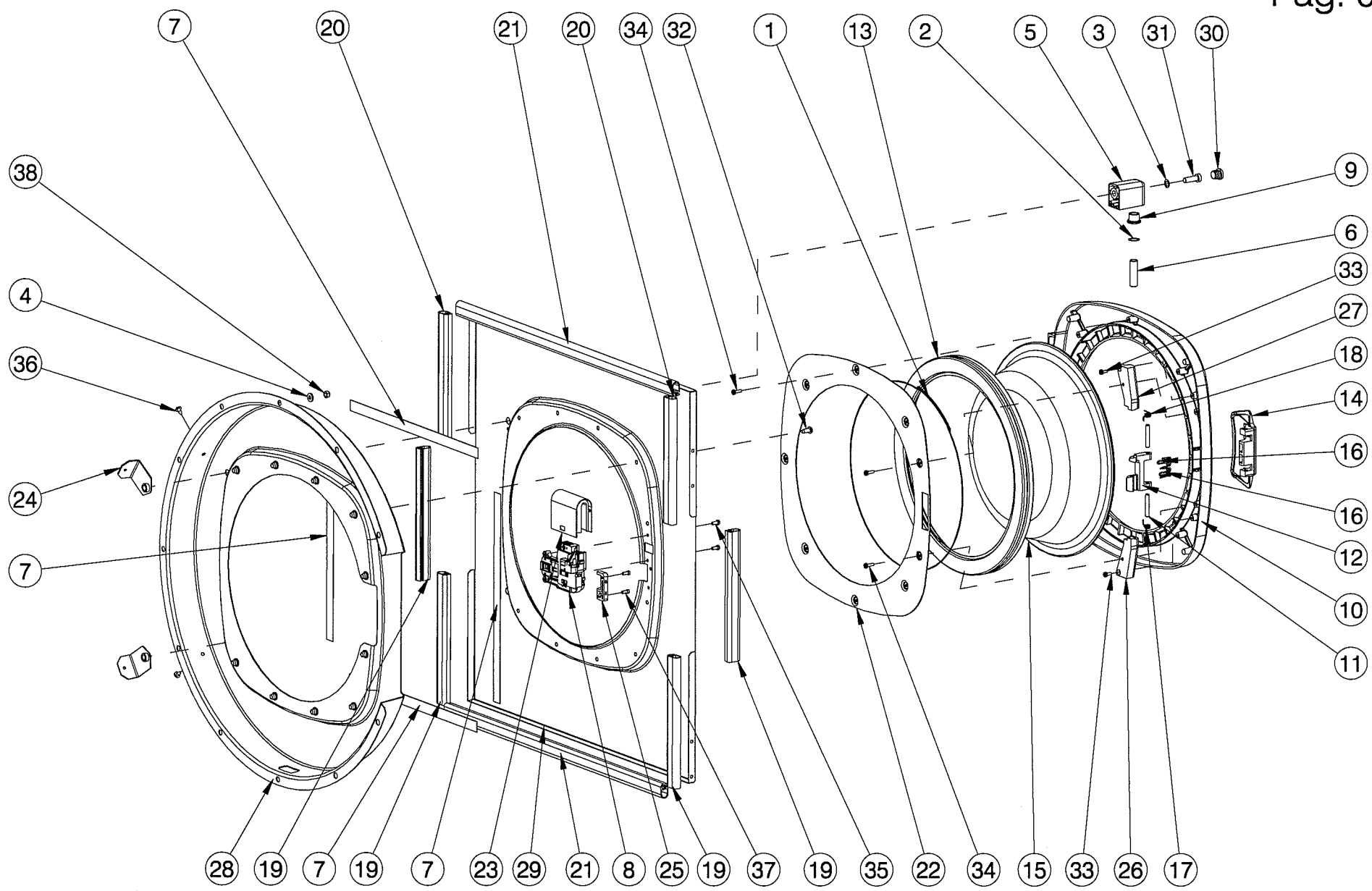




N°	REF.	DENOMINATION	DENOMINACIÓN	DÉNOMINATION
1	427823	BASKET COUPLING	ACOPLAMIENTO TAMBOR	ASSAMBLAGE TAMBOUR
2	428250	SEAL RING	ANILLO RETENES	BAGUE RESERVES
3	343723	RING V-RING V-80A VITON	ANILLO V-RING V-80A VITON	149823V-RING V-80A VITON
4	149823	GROWER WASHER A12 DIN127 BICR.	ARAN.GROWER A12 DIN127 B.TRI.	RONDELLE GROWER A12 DIN127
5	422220	WASHER D18XD6.5X4	ARANDELA D18XD6.5X4	RONDELLE D18XD6.5X4
6	238048	WASHER D57XD13X6	ARANDELA D57XD13X6	RONDELLE D57XD13X6
7	193904	HOSE ELBOW 3/8" RE. 46602	CODO MANGUERA 3/8" REF.46602	COUDE TUYAU 3/8" REF. 46602
8	342485	ESTR. BELT 14PJ1651+/-6	CORREA ESTR.14PJ1651±6	COURROIE ESTR. 14PJ1651+/-6
9	430181	BASKET BODY	CUERPO TAMBOR	CORPS TAMBOUR
10	427203	BEARING BOX	ESTRELLA CAJA COJINETES	BOITE ROULEMENTS
11	340927	TORIC GASKET 166X178X6 NBR	JUNTA TORICA 166X178X6 NBR	JOINT TORIQUE 166X178X6 NBR
12	340935	TORIC GASKET 57X65X4 NBR70	JUNTA TORICA 57X65X4 NBR70	JOINT TORIQUE 57X65X4 NBR70
13	181321	TORIC GASKET 6X12X3	JUNTA TORICA 6X12X3	JOINT TORIQUE 6X12X3
14	428276	PLATE V-RING	PLATINA V-RING	PLATINE V-RING
15	318121	BASKET PULLEY	POLEA TAMBOR L-2630	POULIE TAMBOUR
16	431205	PRESSOSTAT HOSE PROTECTION	PROTECCION TUBO PRESOSTATO	PROTECTION TUBE PRESSOSTAT
17	428284	PROTECTIOM V-RING	PROTECCION V-RING	PROTECTION V-RING
18	422162	BASKET SHOVEL RENFORT	REFUERZO PALA TAMBOR	REFORT PALETTE TAMBOUR
19	121897	SEAL 78X100X10 BA	RETEN 78X100X10 BA	RESERVE 78X100X10 BA
20	128686	BEARING 6309 ZZ	RODAMIENTO 6309-2Z	ROULEMENT 6309 ZZ
21	340901	BEARING 6309 ZZ	RODAMIENTO 6311-2RS1	ROULEMENT 6311-2RS1
22	428268	SEAL-HOLDER COVER	TAPA PORTA-RETEN	COUVERCLE PORTE-RESERVE
23	340836	BEARING END-PIECE	TOPE COJINETES	ARRET ROULEMENTS
24	144915	INOX HEX SCREW DIN933 M 6X25	TOR.EX.DIN933INOX A2-70 M 6X25	VIS HEX INOX DIN933 M 6X25
25	176883	BIC.HEX SCREW DIN933-8 M12X35	TOR.EX.DIN933-8.8 B.TRI.M12X35	VIS HEX DIN933-8,8 BICR.M12X35
26	149997	INOX HEX NUT DIN 934 M-16	TUER.EX.DIN934 INOX A2-70 M16	ECROU HEX.INOX DIN 934 M-16



N°	REF.	DENOMINATION	DENOMINACIÓN	DÉNOMINATION
1	149476	BICR.WASHER B DIN125-ST 4,3	ARAN.B DIN125-ST B.TRI. 4,3	RONDELLE B DIN125-ST BICR.4,3
2	149526	BICR.WASHER B DIN125-ST 6,4	ARAN.B DIN125-ST B.TRI. 6,4	RONDELLE B DIN125-ST BICR.6,4
3	149518	BICR.WASHER B DIN125-ST 8,4	ARAN.B DIN125-ST B.TRI. 8,4	RONDELLE.B DIN125-ST BICR.8,4
4	432872	WASHER 14X6.4X2	ARANDELA 14X6.4X2	RONDELLE 14X6.4X2
5	430298	OUTER-DRUM FIXING RING	ARO FIJACION ENVOLVENTE	BAGUE FIXATION CUVE
6	140418	CLAMP UNEX REF 1201	BRIDA UNEX 1201	BRIDE UNEX REF 1201
7	431577	OUTER-DRUM PLATE SET	CONJUNTO PLATINA ENVOLVENTE	ENSEMBLE PLATINE CUVE
8	320382	PRESSURE TRANSMITT INTAKE BODY	CUERPO TOMA PRESOSTATO	CORPS PRISE PRESSOSTAT
9	430140	OUTER DRUM	ENVOLVENTE	CUVE
10	428441	OUTER DRUM FRONT PANEL	FRONTAL ENVOLVENTE	FRONTAL CUVE
11	340638	HOUSING OUTER-DRUM FRONT	JUNTA FRONTAL ENVOLVENTE	JOINT FRONTAL CUVE
12	422329	HANDRAIL 43X25X8	PASAMANO 43X25X8	PASSEMAIN 43X25X8
13	320036	PRESSURE T.BODY SHEATH-LODGING	PASAMUROS CUERPO PRESOSTATO	LOGEMENT CORPS PRESSOSTAT
14	338863	VAPOR OUTLET SHEATH-LODGING	PASAMUROS DESVAPORIZADOR	LOGEMENT SORTIE CONDENSATS
15	256149	SENSOR SHEATH LODGING	PASAMUROS SENSOR	LOGEMENT SENSEUR
16	341073	OUTER DRUM PIECE	POSICIONADOR ENVOLVENTE	PIECE CUVE
17	338871	VAPOR OUTLET RACCORD	RACOR DESVAPORIZADOR	RACCORD SORTIE CONDENSATS
18	193862	NTC RESISTANCE 2381 640 90042	RESISTENCIA NTC 2381 640 90042	RESISTANCE NTC 2381 640 90042
19	431536	LOCK INSTALLATION FIXING-PIECE	SUJECION INSTALACION CIERRE	FIXATION INST.FERMETURE
20	146266	BICR.HEX SCREW DIN933-8 M-4X15	TOR.EX.DIN933-4.8 B.TRI.M 4X15	VIS HEX BICR.DIN933-8.8 M-4X15
21	186528	SCREW HEX 8G DIN933 M10X 50	TOR.EX.DIN933-8.8 B.TRI.M10X50	VIS HEX 8G DIN933 M10X 50
22	146464	BICR.HEX SCREW DIN933-8 M8X100	TOR.EX.DIN933-8.8 B.TRI.M8X100	VIS HEX BICR.DIN933-8 M 8X100
23	428672	PRESSURE TRANSMITTER HOSE	TUBO TRANSMISOR PRESION	TUYAU PRESSOSTAT
24	132043	SELFBLOCKING NUT DIN985 M 4	TUER.AUTOBL.DIN985-8 B.TRI.M 4	ECROU AUTOBLOCANT DIN985 M 4
25	176834	SELFBLOCKING NUT DIN985 M-6	TUER.AUTOBL.DIN985-8 B.TRI.M6	ECROU AUTOBLOCANT DIN985 M-6
26	164285	SELFBLOCKING NUT DIN985 M-8	TUER.AUTOBL.DIN985-8 B.TRI.M8	ECROU AUTOBLOCANT DIN985 M-8
27	150649	SELFBLOCKING NUT DIN 985 M-10	TUER.AUTOB.DIN985-8 B.TRI.M10	ECROU AUTOBLOCANT DIN 985 M-10

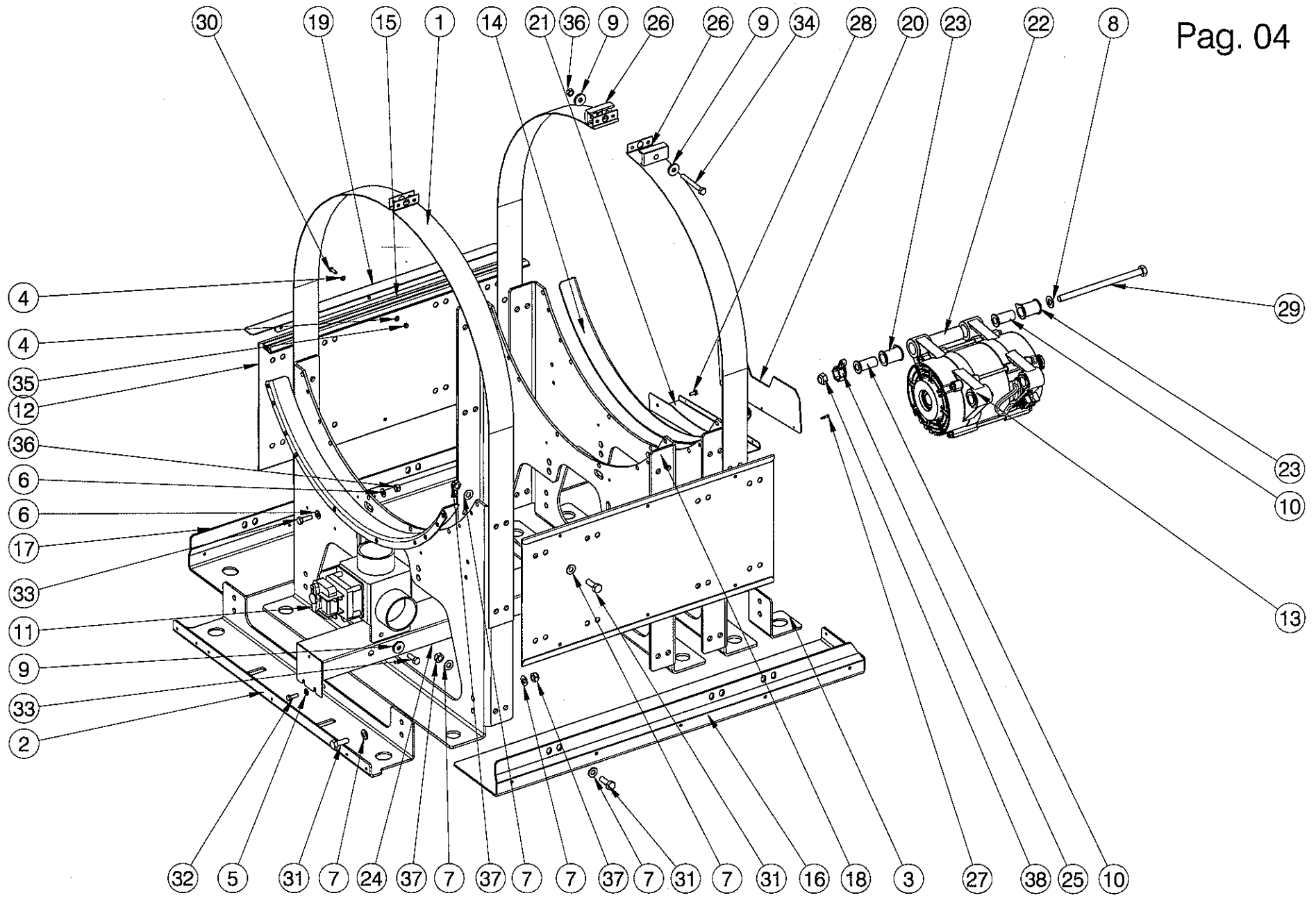




N°	REF.	DENOMINATION	DENOMINACIÓN	DÉNOMINATION
1	343137	WASHER D322XD1,5 SPRING	ABRAZ.ALAMBRE D318XD1,5 MUELLE	RONDELLE D322XD1,5 RESSORT
2	184200	ADJ. WASHER PS12X18X0,2	ARAN.AJUSTE PS12X18X0,2 DIN988	RONDELLE REGLAGE PS12X18X0,2
3	318253	WASHER 8	ARAN.ESPECIAL TORN.DIN912 M 8	RONDELLE 8
4	432872	WASHER 14X6.4X2	ARANDELA 14X6.4X2	RONDELLE 14X6.4X2
5	430777	HINGE	BISAGRA	CHARNIERE
6	261156	DOOR BOLT	BULON ESCOTILLA	BOULON HUBLLOT
7	423467	ANTI-VIBRATION TGRIM	BURLETE ANTIVIBRANTE	GARNITURE ANTI-VIBRATION
8	333302	LOCKING BITRON BP P/5 DL-S1	CIERRE BITRON BP P/5 DL-S1 *	FERMETURE BITRON BP P/5 DL-S1
9	128827	SELFOIL SLEEVE B11B12-17-15/22	COJ. SELFOIL B11B12-17-15/22-3	FRETTE SELFOIL B11B12-17-15/22
10	427559	DOOR BODY	CUERPO ESCOTILLA	CORPS HUBLLOT
11	427088	HANDLE SHAFT	EJE MANETA	AXE POIGNEE
12	339614	LOCK HOOK	GANCHO CIERRE	CROCHET FERMETURE
13	343129	DOOR GASKET	JUNTA ESCOTILLA	JOINT HUBLLOT
14	343855	LOCK HANDLE	MANETA CIERRE	POIGNEE FERMETURE
15	340547	SPYHOLE	MIRILLA	VITRE
16	341636	HOOK SPRING	MUELLE GANCHO	RESSORT CROCHET
17	339978	HANDLE SPRING	MUELLE MANETA	RESSORT POIGNEE
18	339986	HANDLE SPRING	MUELLE MANETA	RESSORT POIGNEE
19	431460	SHORT FRONT COVER PROFILE	PERFIL TAPA FRONTAL CORTO	PROFILE COUVERC.FRONTALE COURT
20	432757	SHORT FRONT COVERT PROFILE	PERFIL TAPA FRONTAL CORTO	PROFILE COUVERC.FRONTALE COURT
21	431478	LONG FRONT COVERT PROFILE	PERFIL TAPA FRONTAL LARGO	PROFILE COUVERC.FRONTALE LONG
22	340554	GLASS-HOLDER	PORTA-MIRILLA	PORTE-VITRE
23	333070	LOCKING PROTECTION	PROTECCION CIERRE	PROTECTION FERMETURE
24	427492	DOOR BRACKET REINFORT	REFUERZO SOPORTE PUERTA	RENFORT SUPPORT HUBLLOT
25	430843	FRONT COVER REINFORT	REFUERZO TAPA FRONTAL	RENFORT COUVERCLE FRONTALE
26	409086	HANDLE BRACKET	SOPORTE MANETA	SUPPORT HUBLLOT
27	409094	HANDLE BRACKET	SOPORTE MANETA	SUPPORT POIGNEE
28	428383	DOOR BRACKET	SOPORTE PUERTA	SUPPORT HUBLLOT
29	427567	FRONT COVER	TAPA FRONTAL	COUVERCLE FRONTAL
30	322974	PLUG	TAPON KAPSTO GPN320GL18	BOUCHON

N°	REF.	DENOMINATION	DENOMINACIÓN	DÉNOMINATION
31	316695	ALLEN SCREW DIN7984-8 M8X 25	TOR.ALLDIN7984-8.8B.TRI.M 8X25	VIS ALLEN DIN7984-8.8 B.M8X 25
32	333294	SCREW T25 M6X15	TOR.ALOM.T25 AR.18ESTR.M 6X15	VIS T25 M6X15
33	326116	SCREW SF PLUS M4X10	TOR.CELO 410TT85T 4X10 INOX	VIS SF PLUS M4X10
34	322933	SCREW SF PLUS M4X16 WN1352	TOR.CELO 414TT85T 4X14 INOX	VIS SF PLUS M4X16 WN1352
35	322990	SCREW DELTA PT 45X10 WN5452	TOR.CELO RF AT 57980091 4.5X10	VIS DELTA PT 45X10 WN5452
36	322750	SCREW FDS SF-M5X12PKS	TOR.AUTO-ROSC.TORX.ESTR.M5X12	VIS.FDS SF-M5X12PKS
37	438903	LOCK SCREW 4,5X 10	TORNILLO CIERRE 4,5X10	VIS FERMETURE 4,5X10
38	176834	SELFBLOCKING NUT DIN985 M-6	TUER.AUTOBL.DIN985-8 B.TRI.M6	ECROU AUTOBLOCANT DIN985 M-6
		WITHOUT ILLUSTRATION	SIN ILUSTRACION	SANS ILLUSTRATION
	431189	JOINT ADJUSTING RING	ARO AJUSTE JUNTA	BAGUE REGLAGE JOINT

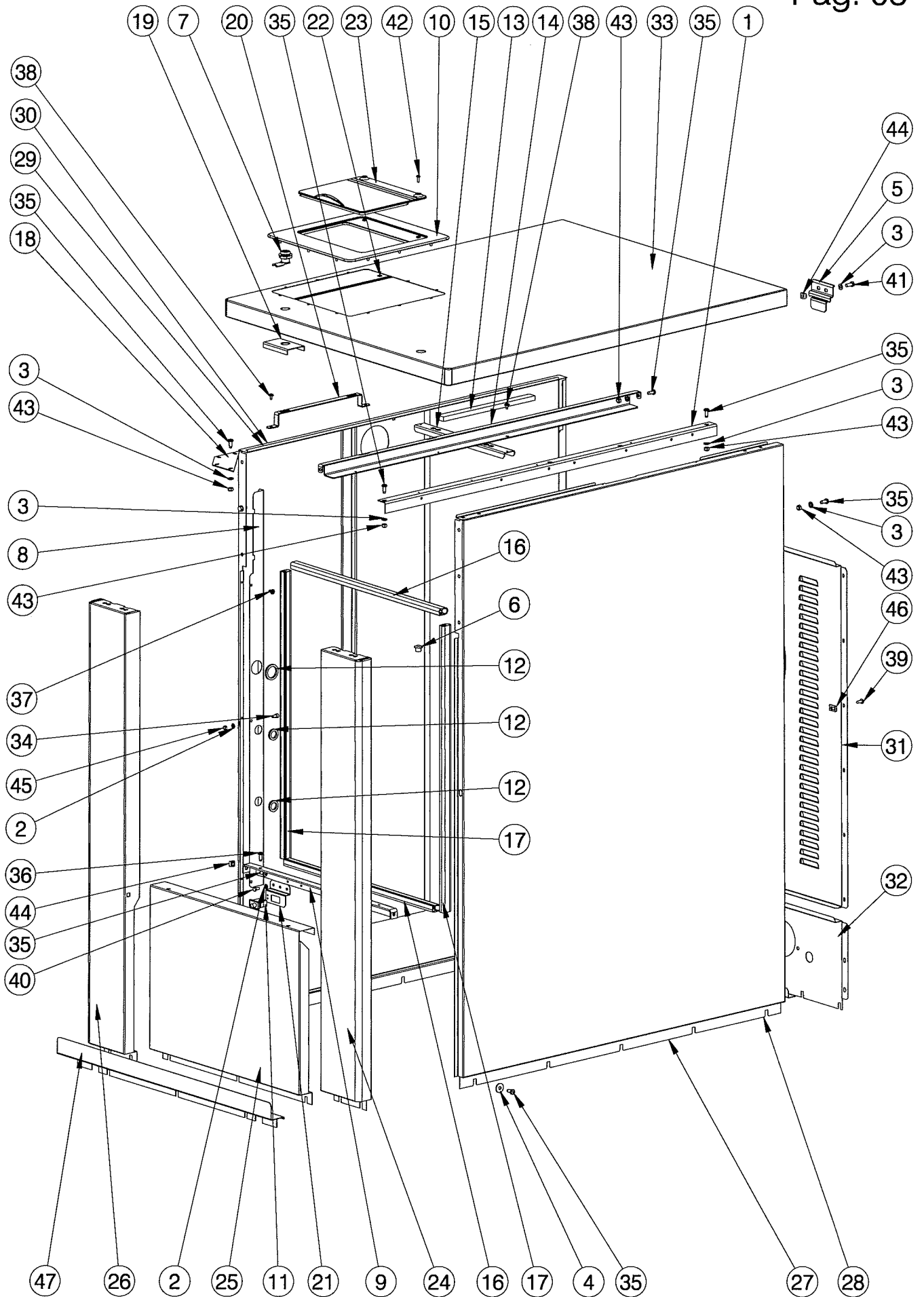




N°	REF.	DENOMINATION	DENOMINACIÓN	DÉNOMINATION
1	427807	OUTER-DRUM WASHER	ABRAZADERA ENVOLVENTE	RONDELLE CUVE
2	431718	FRONT RENFORT ANGLE	ANGULO REFUERZO ANTERIOR	ANGLE RENFORT AVANT
3	427609	REAR RENFORT ANGLE	ANGULO REFUERZO POSTERIOR	ANGLE RENFORT ARRIERE
4	149534	BICR.WASHER B DIN125-ST 5,3	ARAN.B DIN125-ST B.TRI. 5,3	RONDELLE B BICR.DIN125-ST 5,3
5	149526	BICR.WASHER B DIN125-ST 6,4	ARAN.B DIN125-ST B.TRI. 6,4	RONDELLE B DIN125-ST BICR.6,4
6	149518	BICR.WASHER B DIN125-ST 8,4	ARAN.B DIN125-ST B.TRI. 8,4	RONDELLE.B DIN125-ST BICR.8,4
7	149500	BICR.WASHER B DIN125-ST 10,5	ARAN.B DIN125-ST B.TRI.10,5	RONDELLE B DIN125-ST BICR.10,5
8	149419	BICR.WASHER B DIN125-ST 13	ARAN.B DIN125-ST B.TRI.13	RONDELLE B DIN125-ST BICR.13
9	261529	WASHER 25X8,5X4	ARANDELA 25X8,5X4	RONDELLE 25X8,5X4
10	423103	MOTOR SLEEVE	CASQUILLO MOTOR	FRETTE MOTEUR
11	338129	DRAIN (OPEN) MBD-3RA	DESAGÜE (ABIERTO) MBD-3RA	VIDANGE (OUVERT) MBD-3RA
12	430645	CHASSIS SIDE PANEL	LATERAL CHASIS	LATERAL CHASSIS
13	430678	MOTOR MT 90-90/4-M	MOTOR MT 90-90/4-M	MOTEUR MT 90-90/4-M
14	340729	OUTER-DRUM SUPPORT PROFILE	PERFIL APOYO ENVOLVENTE	PROFILE APPUI CURE
15	433110	SIDE-PANEL PROFILE	PERFIL LATERAL	PROFILE LATERAL
16	432476	LANE RIGHT PROFILE	PERFIL LONGITUDINAL DERECHO	PROFILE LONGITUDINALE DROIT
17	432484	LANE LEFT PROFILE	PERFIL LONGITUDINAL IZQUIERDO	PROFILE LONGITUDINALE GAUCHE
18	428334	CHASSIS PLATE	PLACA CHASIS	PLAQUE CHASSIS
19	433128	SIDE PROFILE SUPPORT	PORTA-PERFIL LATERAL	PORTE-PROFILE LATERAL
20	432674	WIRE PROTECTION	PROTECCION CABLES	PROTECTION CABLES
21	431163	MOTOR PROTECTION	PROTECCION MOTOR	PROTECTION MOTEUR
22	430686	MOTOR SEPARATOR	SEPARADOR MOTOR	SEPARATEUR MOTEUR
23	432203	MOTOR SILENTBLOCK	SILENTBLOC MOTOR	SILENTBLOCK MOTEUR
24	432336	DRAIN BRACKET	SOPORTE DESAGÜE	SUPPORT VIDANGE
25	338095	MOTOR NUT BRACKET	SOPORTE TUERCA MOTOR	SUPPORT ECROU MOTEUR
26	338053	CLAMP TEIGHTENER	TENSOR ABRAZADERA	TENDEUR BRIDE
27	332627	SCREW REF. TT85 T M3 X16	TOR. REF. TT85 T M3 X16	VIS REF.TT85 T M3 X16
28	343434	SCREW 512TTAET M5X12	TOR.CELO 512TTAET M5X12	VIS 512TTAET M5X12
29	340893	BIC.HEX SCREW DIN931-8.8	TOR.EX.DIN931-8.8B.TRI.M12X200	VIS HEX BICR.DIN931-8.8
30	146282	BICR.HEX SCREW DIN933-8 M 5X15	TOR.EX.DIN933-8.8 B.TRI.M 5X15	VIS HEX BICR.DIN933-8.8 M 5X15

N°	REF.	DENOMINATION	DENOMINACIÓN	DÉNOMINATION
31	146506	8G HEX.SCREW DIN 933 M-10X30	TOR.EX.DIN933-8.8 B.TRI.M10X30	VIS HEX. 8G DIN 933 M-10X30
32	146316	BICR.HEX SCREW DIN933-8 M-6X20	TOR.EX.DIN933-8.8 B.TRI.M 6X20	VIX HEX BICR.DIN933-8.8 M-6X20
33	192849	BIC.HEX SCREW DIN933-8 M-8X25	TOR.EX.DIN933-8.8 B.TRI.M 8X25	VIS HEX.DIN933-8,8 BICR.M-8X25
34	193391	HEX SCREW 8G DIN933 M- 8X 70	TOR.EX.DIN933-8.8 B.TRI.M 8X70	VIS HEX.8G DIN933 M- 8X 70
35	176826	SELF-BLOCKING NUT DIN 985 M-5	TUER.AUTOBL.DIN985-8 B.TRI.M5	ECROU AUTOBLOCANT DIN 985 M-5
36	164285	SELFBLOCKING NUT DIN985 M-8	TUER.AUTOBL.DIN985-8 B.TRI.M8	ECROU AUTOBLOCANT DIN985 M-8
37	150649	SELFBLOCKING NUT DIN 985 M-10	TUER.AUTOB.DIN985-8 B.TRI.M10	ECROU AUTOBLOCANT DIN 985 M-10
38	150656	SELFBLOCKING NUT DIN985 M-12	TUER.AUTOB.DIN985-8 B.TRI.M12	ECROU AUTOBLOCANT DIN985 M-12



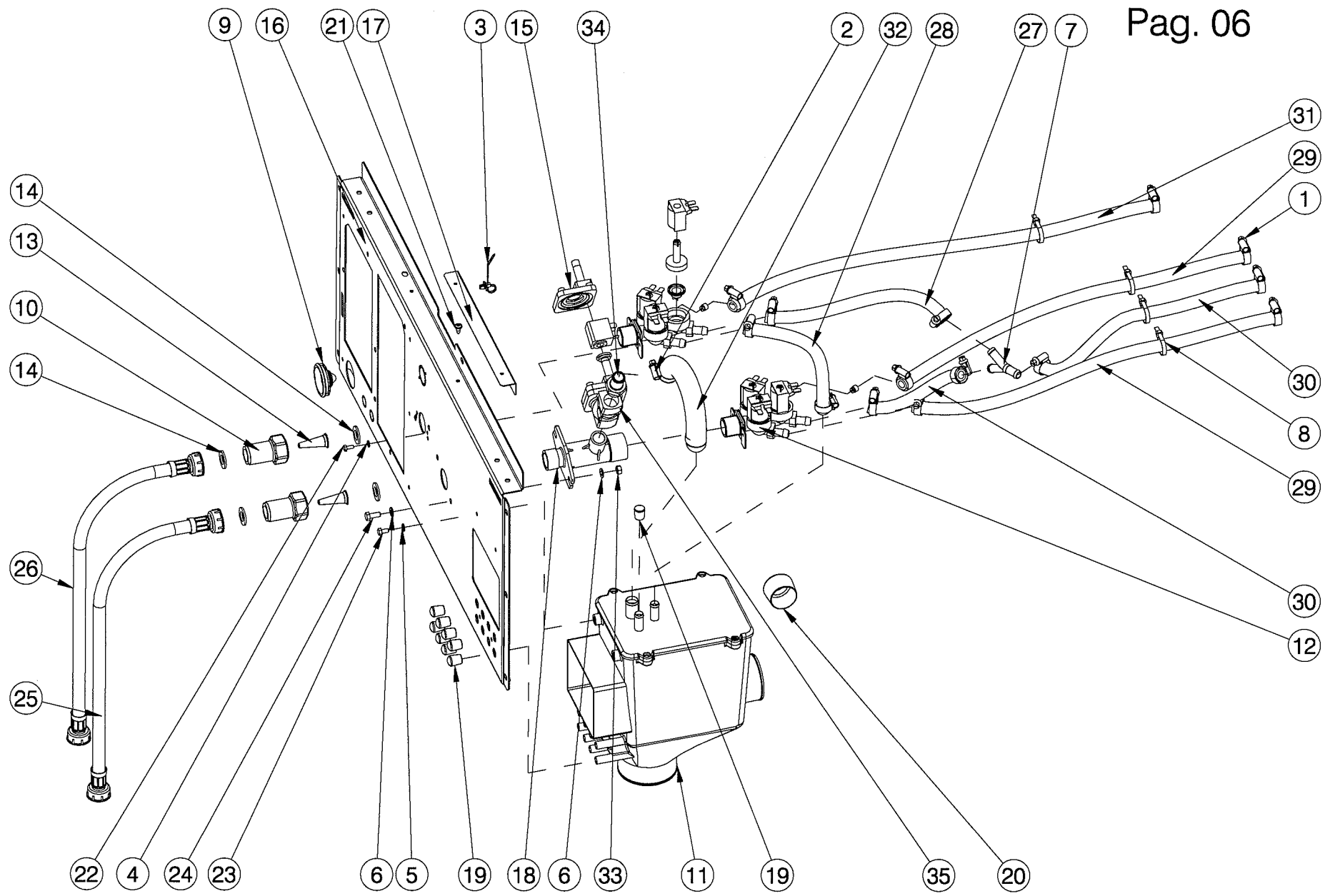




N°	REF.	DENOMINATION	DENOMINACIÓN	DÉNOMINATION
1	430637	LANE ANGLE	ANGULO LONGITUDINAL	ANGLE LONGITUDINALE
2	149534	BICR.WASHER B DIN125-ST 5,3	ARAN.B DIN125-ST B.TRI. 5,3	RONDELLE B BICR.DIN125-ST 5,3
3	149526	BICR.WASHER B DIN125-ST 6,4	ARAN.B DIN125-ST B.TRI. 6,4	RONDELLE B DIN125-ST BICR.6,4
4	153205	WASHER 20X7X2	ARANDELA 20X7X2	RONDELLE 20X7X2
5	431593	TOP COVER HINGE	BISAGRA TAPA SUPERIOR	CHARNIERE COUVERCLE SUPERIEUR
6	323717	END PIECE	CANTONERA	ARRET
7	196915	LOCK RE.20.00.02.05	CERRADURA REF.20.00.02.05	FERMETURE REF.20.00.02.05
8	432542	HARNESS CONDUCTION	CONDUCCION CABLEADO	CONDUITE CABLAGE
9	428532	FRONT COVER FIXING-PIECE	FIJACION TAPA FRONTAL	FIXATION CUOVERCLE FRONTAL
10	343087	SOAP DISPENSER LID FRAME	MARCO TAPA DOSIFICADOR	CADRE COUVERCLE BAC A PRODUITS
11	323048	MINISWITCH CHERRY E69-60C (EM040)	MINIRRUPTOR CHERRY E69-60C (EM040)	MINIRRUPTEUR CHERRY E69-60C (EM040)
12	341438	MOLDADURA MGS-1-01	MOLDURA MGS-1-01	MOLDADURA MGS-1-01
13	439000	COVER SHOCK-ABSORBER PROFILE	PERFIL AMORTIGUADOR TAPA	PROFIL AMORTISSEUR COUVERCLE
14	430611	SOAP DISP.HOLDING-DOWN PROFILE	PERFIL ANCLAJE DOSIFICADOR	PROFILE SCELL.BAC A PRODUITS
15	423327	HOSE FIXING PROFILE	PERFIL FIJACION TUBOS	PROFILE FIXATION TUBES
16	428573	LOWER COVER AND PANEL PROFILE	PERFIL PANEL Y TAPA INFERIOR	PROF.PANNEAU ET COUVERCLE INF.
17	428177	FRONT COVER PROFILE	PERFIL TAPAS FRONTALES	PROFILE COUVERCLE FRONTALE
18	406298	PANEL FIXING RENFORT	REFUERZO FIJACION TAPAS	REFORT FIXATION COUVERCLES
19	242115	UPPER COVER RENFORT	REFUERZO TAPA SUPERIOR	REFORT COUVERCLE SUPERIEUR
20	431742	SOAP DISPENSER BRACKET	SOPORTE DOSIFICADOR	SUPPORT BAC A PRODUITS
21	423129	MICROSWITCH BRACKET (EM040)	SOPORTE MICRORRUPTOR (EM040)	SUPPORT MICRORRUPTEUR (EM040)
22	193540	MIKALOR QUICK FIXING 211038-8	SUJEC.RAPIDA MIKALOR 211038-8	FIXATION RAPIDE MIKALOR
23	343095	SOAP DISPENSER LID	TAPA DOSIFICADOR	COUVERCLE BAC A PRODUITS
24	427906	RIGHT FRONT COVER	TAPA FRONTAL DERECHA	COUVERCLE FRONTAL DROIT
25	428607	LOWER FRONT COVER	TAPA FRONTAL INFERIOR	COUVERCLE FRONTAL INFERIEUR
26	427898	LEFT FRONT COVER	TAPA FRONTAL IZQUIERDA	COUVERCLE FRONTAL GAUCHE
27	430488	RIGHT SIDE PANEL (INOX)	TAPA LATERAL DERECHA (INOX)	COUVERCLE LATERAL DROIT (INOX)
28	430538	RIGHT SIDE PANEL (PAINTED)	TAPA LATERAL DERECHA (PINTADA)	COOUVERCLE LATERAL DROIT (PEINT)

N°	REF.	DENOMINATION	DENOMINACIÓN	DÉNOMINATION
29	430512	LEFT SIDE PANEL (INOX)	TAPA LATERAL IZQUIERDA (INOX)	COUVERCLE LATERAL GAUCHE (INOX)
30	430553	LEFT SIDE PANEL (PAINTED)	TAPA LATERAL IZQUIERDA (PINTADA)	COUVERCLE LATERAL GAUCHE (PEINT)
31	428615	REAR COVER	TAPA POSTERIOR	COUVERCLE ARRIERE
32	428623	LOWER REAR COVER	TAPA POSTERIOR INFERIOR	COUVERCLE ARRIERE INFERIEUR
33	430587	UPPER COVER	TAPA SUPERIOR	COUVERCLE SUPERIEUR
34	144261	ALLEN SCREW DIN 912 M-5X10	TOR.ALLDIN912-8.8 B.TRI.M 5X10	VIS ALLEN DIN 912 M-5X10
35	333625	SCREW T25 M6X15	TOR.ALOM.T25 AR.18ESTR.M6X15	VIS T25 M6X15
36	333294	SCREW T25 M6X15	TOR.ALOM.T25 AR.18ESTR.M 6X15	VIS T25 M6X15
37	322750	SCREW FDS SF-M5X12PKS	TOR.AUTO-ROSC.TORX.ESTR.M5X12	VIS.FDS SF-M5X12PKS
38	183400	CYL.PLATE SCREW ST-4 20 C/AL	TOR.CHAPA ST-4 20 C/AL.T25	VIS PLAQUE CYL.ST-4 20 C/AL
39	149153	PLATE SCREW ST-4 80 C/AL.T25	TOR.CHAPA ST-4 80 C/AL.T25	VIS PLAQUE ST-4 80 C/AL.T25
40	146274	BICR.HEX SCREW DIN933-8 M-5X10 (EM040)	TOR.EX.DIN933-8.8 B.TRI.M 5X10 (EM040)	VIS HEX.BICR.DIN933-8.8 M-5X10 (EM040)
41	146233	BICR.HEX SCREW DIN933-8 M6X15	TOR.EX.DIN933-8.8 B.TRI.M 6X15	VIS HEX DIN933-8.8 BICR.M6X15
42	326660	SCREW PT K40X12 WN1451-TORX	TOR.CELO 412RFX87T INOXA2 4X12	VIS PT K40X12 WN1451-TORX
43	176834	SELFBLOCKING NUT DIN985 M-6	TUER.AUTOBL.DIN985-8 B.TRI.M6	ECROU AUTOBLOCANT DIN985 M-6
44	165019	CAGED NUT M-6 0,5-1,5	TUER.ENJ.M6 0,5-1,5 R.310007-9	ECROU PRESIONER M-6 0,5-1,5
45	150177	BICR HEX NUT DIN934-8 M5	TUER.EX.DIN934-8 B.TRI.M 5	ECROU HEX DIN934-8 BIC.M5
46	135228	NUT NUL 506-2A REF. 213048-1	TUERCA SEG.NUL 506-2B 213048-1	ECROU NUL 506-2A REF. 213048-1
47	430355	SOCKET	ZOCALO	SOCLE

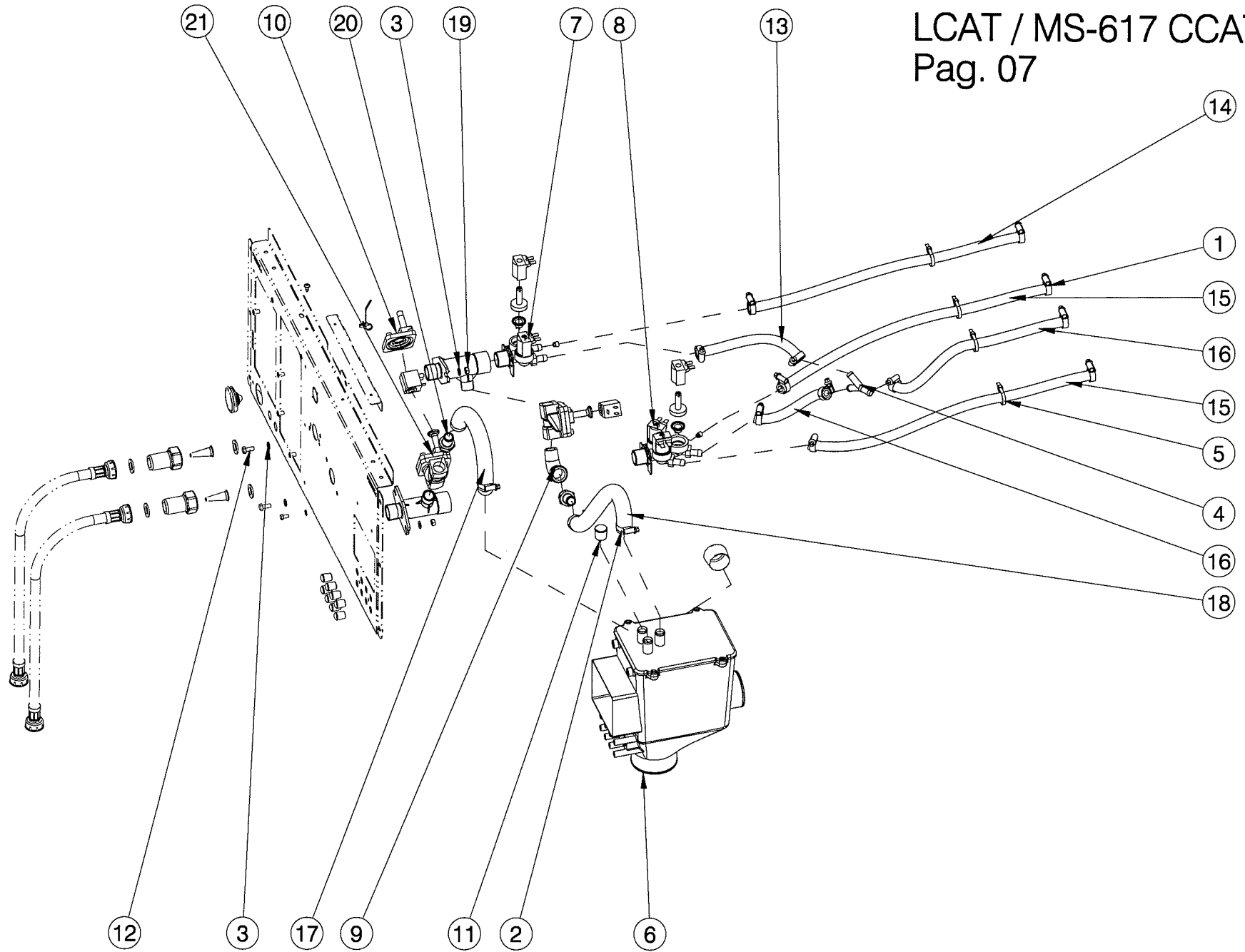




N°	REF.	DENOMINATION	DENOMINACIÓN	DÉNOMINATION
1	155150	CLAMP 8-16	ABRAZADERA 8- 16	BRIDE 8-16
2	156109	CLAMP 16-27	ABRAZADERA 16- 27	BRIDE 16-27
3	326132	CLAMP ABA-036-48-0152-B	ABRAZADERA ABA-036-48-0152-B	BRIDE ABA-036-48-0152-B
4	149476	BICR.WASHER B DIN125-ST 4,3	ARAN.B DIN125-ST B.TRI. 4,3	RONDELLE B DIN125-ST BICR.4,3
5	149534	BICR.WASHER B DIN125-ST 5,3	ARAN.B DIN125-ST B.TRI. 5,3	RONDELLE B BICR.DIN125-ST 5,3
6	149526	BICR.WASHER B DIN125-ST 6,4	ARAN.B DIN125-ST B.TRI. 6,4	RONDELLE B DIN125-ST BICR.6,4
7	152165	BRANCH	BIFURCACION	BIFURCATION
8	140525	CLAMP 2244-0	BRIDA UNEX 2244-0	BRIDE 2244-0
9	139683	CONE ECPC-6	CONO HIMEL ECPC-6	CONE ECPC-6
10	315317	FILTER BODY	CUERPO FILTRO	CORPS FILTRE
11	339689	DISTRIBUTOR	DISTRIBUIDOR	DISTRIBUTEUR
12	422766	3-TRACK ELECTROVALVE	ELECTROVALVULA TRES VIAS	ELECTROVANNE TROIS VOIES
	156265	REGULATOR 3 L/MIN (BLACK)	REGULADOR DE 3 L/MIN. (NEGRO)	REGULATEUR 3 L/MIN (NOIR)
	300194	YELLOW CASE 30053	ESTUCHE AMARILLO 30053	BOITE JAUNE 30053
	300202	INTEGRAL GUIDE-MEMBRANE 30696	MEMBRANA-GUIA INTEGRAL 30696	MEMBRANE-GUIDE INTEGRALE 30696
	332296	COIL 255043000000 12VCC	BOBINA 255043000000 12VCC	BOBINE 255043000000 12VCC
13	315614	CONICAL FILTER	FILTRO CONICO REF.4008-2-1	FILTRE CONIQUE
14	114348	GASKET D24XD13,5X2	JUNTA MIFLEX D24X13,5X2	JOINT D24XD13,5X2
15	341685	SPARE-PARTS KIT EV220A 12-14B	KIT REPUES.EV220A 12-14B	KIT RECHANGES EV220A 12-14B
16	428565	REAR PANEL	PANEL POSTERIOR	PANNEAU POSTERIEUR
17	431767	INSTALLATION FIXING PROFILE	PERFIL FIJACION INSTALACION	PROFILE FIXATION INSTALLATION
18	333682	ELECTROVALVE BRACKET	SOPORTE ELECTROVALVULAS	SUPPORT ELECTROVANNES
19	156679	CONICAL END-PIECE R-16 D10	TOPE CONICO REPRIMSA R-16 D10	BOUCHON CONIQUE R-16 D10
20	135004	CONICAL END-PIECE REPRIMSA R16	TOPE CONICO REPRIMSA R-16 D30	ARRET CONIQUE REPRIMSA R16 D30
21	322750	SCREW FDS SF-M5X12PKS	TOR.AUTO-ROSC.TORX.ESTR.M5X12	VIS.FDS SF-M5X12PKS
22	146258	BIC.HEX SCREW DIN933-4.8 M4X10	TOR.EX.DIN933-4.8 B.TRI.M 4X10	VIS HEX DIN933-4.8 BICR.M 4X10
23	146274	BICR.HEX SCREW DIN933-8 M-5X10	TOR.EX.DIN933-8.8 B.TRI.M 5X10	VIS HEX.BICR.DIN933-8.8 M-5X10
24	146233	BICR.HEX SCREW DIN933-8 M6X15	TOR.EX.DIN933-8.8 B.TRI.M 6X15	VIS HEX DIN933-8.8 BICR.M6X15
25	326587	WATER INLET AC DI12,5 L1,5M	TUBO ENTRADA AC DI12,5 L1,5M	FLEXIBLE ENTRÉE AC DI12,5 L1,5
26	326579	WATER INLET AF DI12,5 L1,5M	TUBO ENTRADA AF DI12,5 L1,5M	FLEXIBLE ENTRÉE AF DI12,5 L,5M

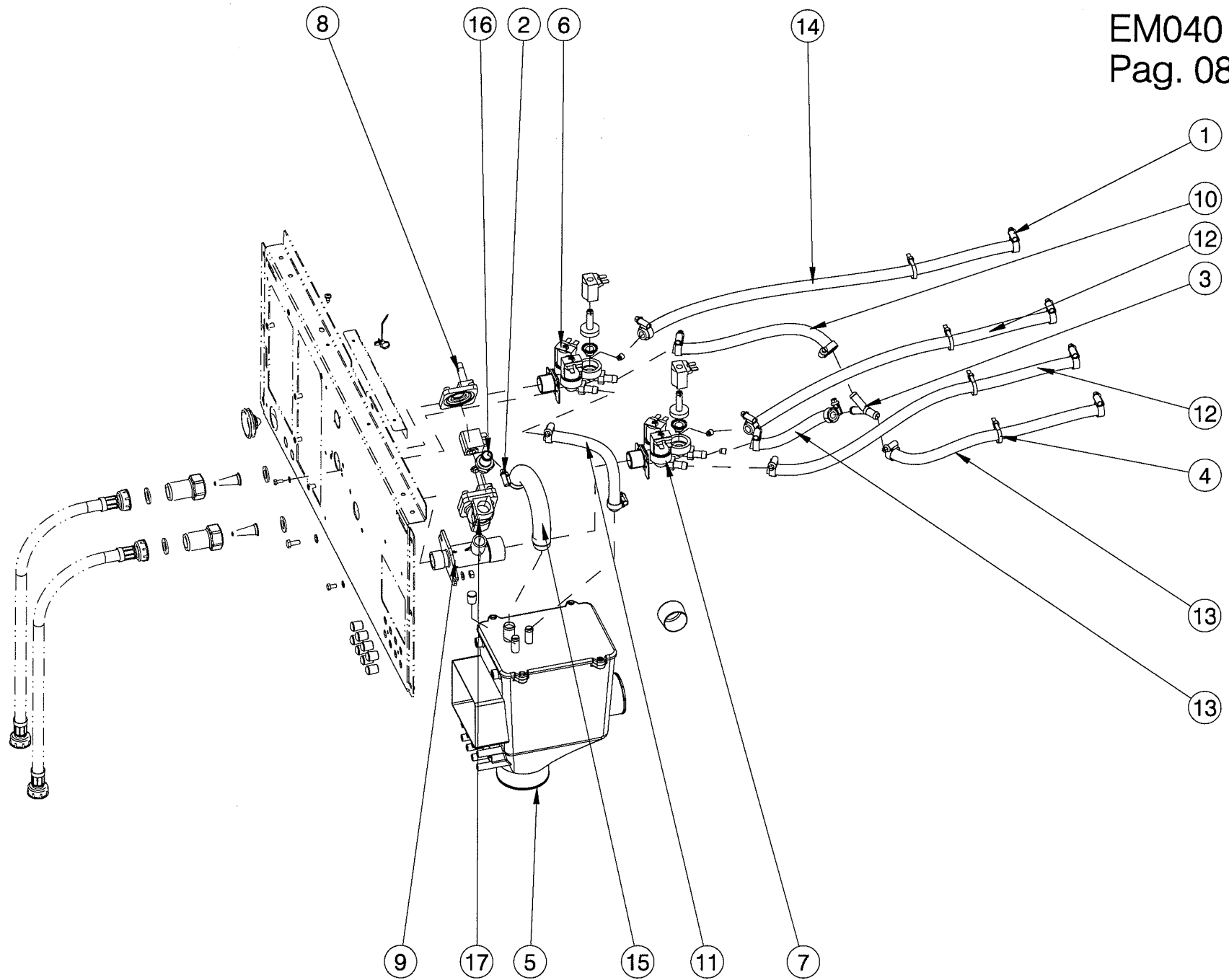
N°	REF.	DENOMINATION	DENOMINACIÓN	DÉNOMINATION
27	410613	WATER INLET HOSE	TUBO ENTRADA AGUA	TUYAU ENTRÉE EAU
28	411363	WATER INLET HOSE	TUBO ENTRADA AGUA	TUBE ENTREE EAU
29	411397	WATER INLET HOSE	TUBO ENTRADA AGUA	TUBE ENTREE EAU
30	427187	WATER INLET HOSE	TUBO ENTRADA AGUA	TUBE ENTREE EAU
31	430934	WATER INLET HOSE	TUBO ENTRADA AGUA	TUBE ENTREE EAU
32	432666	WATER INLET HOSE	TUBO ENTRADA AGUA	TUBE ENTREE EAU
33	150227	BICR HEX NUT DIN934-8 M6	TUER.EX.DIN934-8 B.TRI.M 6	ECROU HEX DIN934-8 BICR.M6
34	333690	WATER INLET NUT	FIGURA 243 MI DE 1/2" LATON	ECROU ENTREE EAU
35	333708	VALVE EV220A 14B G12E NC000	VALVULA EV220A 14B G12E NC000	VANNE EV220A 14B G12E NC000
	333716	COIL AB 5W 12V CC 042N0806	BOBINA AB 5W 12V CC 042N0806	BOBINE AB 5W 12V CC 042N0806



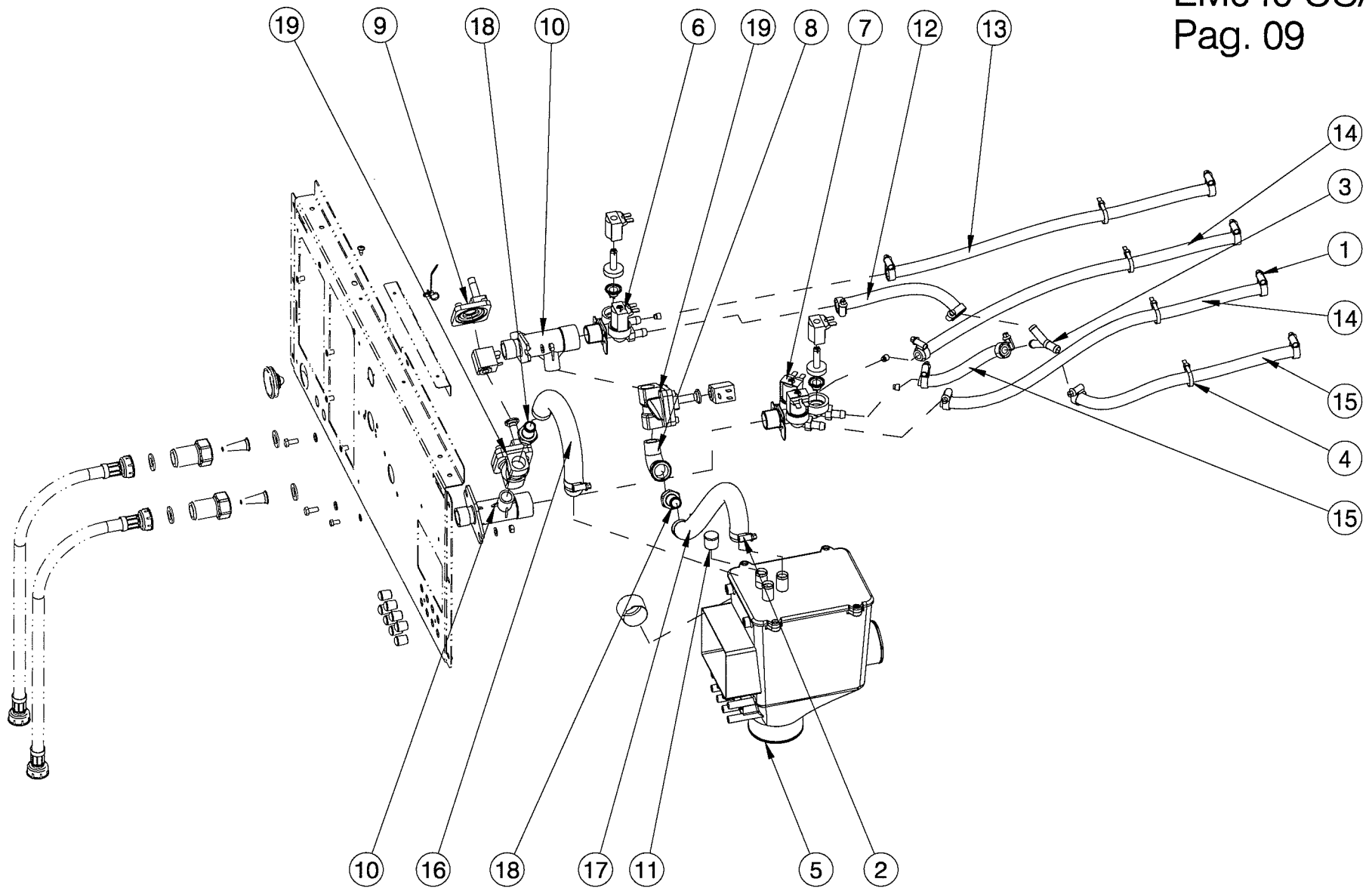




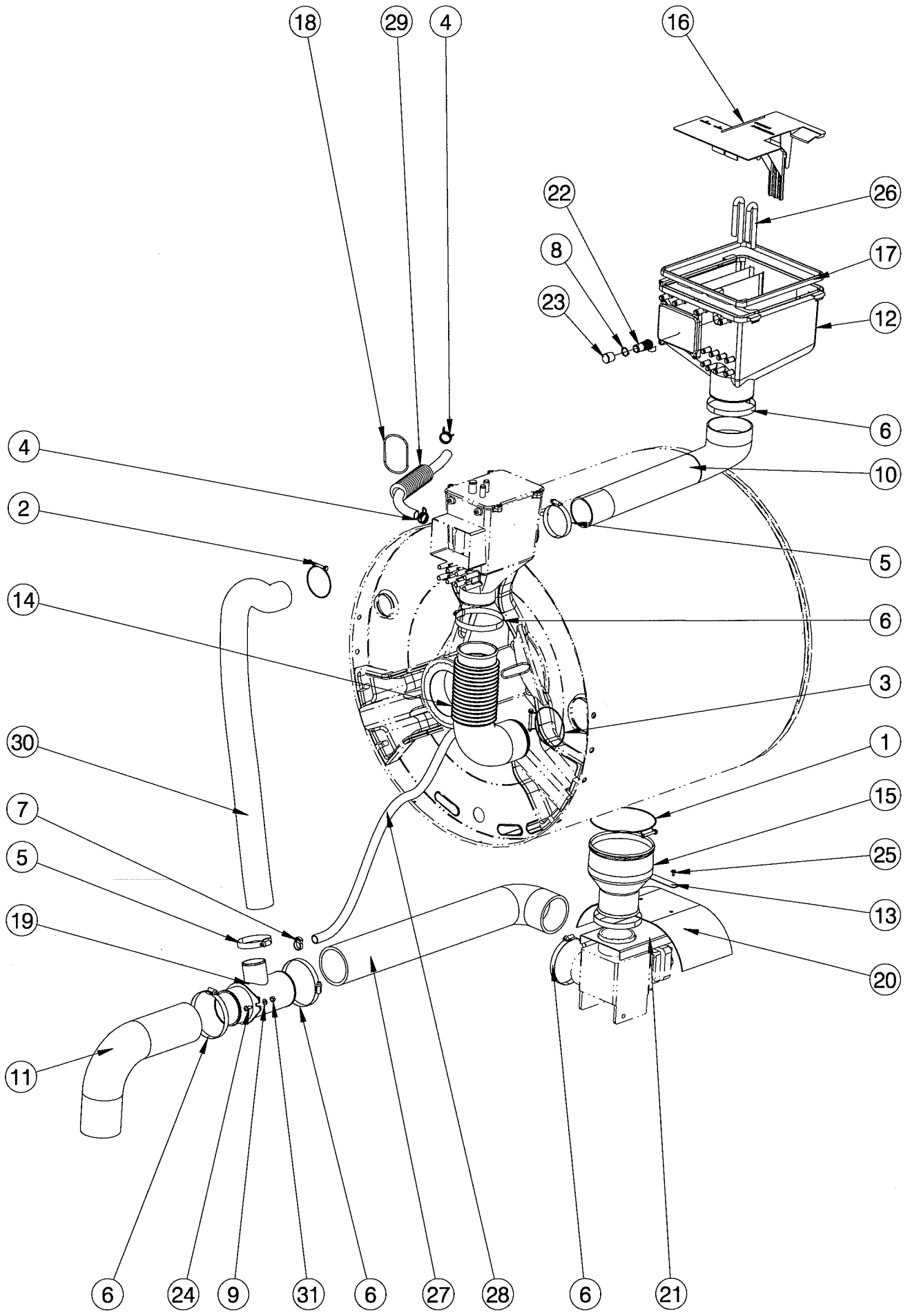
N°	REF.	DENOMINATION	DENOMINACIÓN	DÉNOMINATION
1	155150	CLAMP 8-16	ABRAZADERA 8- 16	BRIDE 8-16
2	156109	CLAMP 16-27	ABRAZADERA 16- 27	BRIDE 16-27
3	149526	BICR.WASHER B DIN125-ST 6,4	ARAN.B DIN125-ST B.TRI. 6,4	RONDELLE B DIN125-ST BICR.6,4
4	152165	BRANCH	BIFURCACION	BIFURCATION
5	140525	CLAMP 2244-0	BRIDA UNEX 2244-0	BRIDE 2244-0
6	333658	DISTRIBUTOR	DISTRIBUIDOR	DISTRIBUTEUR
7	422824	DOUBLE ELECTROVALVE 349 12VCC	ELECTROVALVULA DOS VIAS	ELECTROVANNE DOUBLE 349 12VCC
	156265	REGULATOR 3 L/MIN (BLACK)	REGULADOR DE 3 L/MIN. (NEGRO)	REGULATEUR 3 L/MIN (NOIR)
	300194	YELLOW CASE 30053	ESTUCHE AMARILLO 30053	BOITE JAUNE 30053
	300202	INTEGRAL GUIDE-MEMBRANE 30696	MEMBRANA-GUIA INTEGRAL 30696	MEMBRANE-GUIDE INTEGRALE 30696
	332296	COIL 255043000000 12VCC	BOBINA 255043000000 12VCC	BOBINE 255043000000 12VCC
8	422766	3-TRACK ELECTROVALVE	ELECTROVALVULA TRES VIAS	ELECTROVANNE TROIS VOIES
	156265	REGULATOR 3 L/MIN (BLACK)	REGULADOR DE 3 L/MIN. (NEGRO)	REGULATEUR 3 L/MIN (NOIR)
	300194	YELLOW CASE 30053	ESTUCHE AMARILLO 30053	BOITE JAUNE 30053
	300202	INTEGRAL GUIDE-MEMBRANE 30696	MEMBRANA-GUIA INTEGRAL 30696	MEMBRANE-GUIDE INTEGRALE 30696
	332296	COIL 255043000000 12VCC	BOBINA 255043000000 12VCC	BOBINE 255043000000 12VCC
9	129494	ELBOW FIG 92 1/2" GALV	FIGURA 92 DE 1/2"AMAT GALV.	COUDE FIG 92 1/2" GALV
10	341685	SPARE-PARTS KIT EV220A 12-14B	KIT REPUES.EV220A 12-14B	KIT RECHANGES EV220A 12-14B
11	156687	CONICAL END-PIECE R-16 D16	TOPE CONICO REPRIMSA R-16 D16	ARRET CONIQUE R-16 D16
12	146233	BICR.HEX SCREW DIN933-8 M6X15	TOR.EX.DIN933-8.8 B.TRI.M 6X15	VIS HEX DIN933-8.8 BICR.M6X15
13	410621	WATER INLET HOSE	TUBO ENTRADA AGUA	TUYAU ENTRÉE EAU
14	411389	WATER INLET HOSE	TUBO ENTRADA AGUA	TUBE ENTREE EAU
15	411397	WATER INLET HOSE	TUBO ENTRADA AGUA	TUBE ENTREE EAU
16	427187	WATER INLET HOSE	TUBO ENTRADA AGUA	TUBE ENTREE EAU
17	432682	WATER INLET HOSE	TUBO ENTRADA AGUA	TUBE ENTREE EAU
18	432690	WATER INLET HOSE	TUBO ENTRADA AGUA	TUBE ENTREE EAU
19	150227	BICR HEX NUT DIN934-8 M6	TUER.EX.DIN934-8 B.TRI.M 6	ECROU HEX DIN934-8 BICR.M6
20	333690	WATER INLET NUT	FIGURA 243 MI DE 1/2" LATON	ECROU ENTREE EAU
21	333708	VALVE EV220A 14B G12E NC000	VALVULA EV220A 14B G12E NC000	VANNE EV220A 14B G12E NC000
	333716	COIL AB 5W 12V CC 042N0806	BOBINA AB 5W 12V CC 042N0806	BOBINE AB 5W 12V CC 042N0806



N°	REF.	DENOMINATION	DENOMINACIÓN	DÉNOMINATION
1	155150	CLAMP 8-16	ABRAZADERA 8- 16	BRIDE 8-16
2	156109	CLAMP 16-27	ABRAZADERA 16- 27	BRIDE 16-27
3	152165	BRANCH	BIFURCACION	BIFURCATION
4	140525	CLAMP 2244-0	BRIDA UNEX 2244-0	BRIDE 2244-0
5	339689	DISTRIBUTOR	DISTRIBUIDOR	DISTRIBUTEUR
6	422766	3-TRACK ELECTROVALVE	ELECTROVALVULA TRES VIAS	ELECTROVANNE TROIS VOIES
	156265	REGULATOR 3 L/MIN (BLACK)	REGULADOR DE 3 L/MIN. (NEGRO)	REGULATEUR 3 L/MIN (NOIR)
	300194	YELLOW CASE 30053	ESTUCHE AMARILLO 30053	BOITE JAUNE 30053
	300202	INTEGRAL GUIDE-MEMBRANE 30696	MEMBRANA-GUIA INTEGRAL 30696	MEMBRANE-GUIDE INTEGRALE 30696
	332296	COIL 255043000000 12VCC	BOBINA 255043000000 12VCC	BOBINE 255043000000 12VCC
7	433656	3-TRACK ELECTROVALVE	ELECTROVALVULA TRES VIAS	ELECTROVANNE TROIS VOIES
	156257	REGULATOR 8 L/MIN.RED	REGULADOR DE 8 L/MIN. (ROJO)	REGULATEUR 8 L/MIN ROUGE
	156265	REGULATOR 3 L/MIN (BLACK)	REGULADOR DE 3 L/MIN. (NEGRO)	REGULATEUR 3 L/MIN (NOIR)
	300194	YELLOW CASE 30053	ESTUCHE AMARILLO 30053	BOITE JAUNE 30053
	300202	INTEGRAL GUIDE-MEMBRANE 30696	MEMBRANA-GUIA INTEGRAL 30696	MEMBRANE-GUIDE INTEGRALE 30696
	332296	COIL 255043000000 12VCC	BOBINA 255043000000 12VCC	BOBINE 255043000000 12VCC
8	341685	SPARE-PARTS KIT EV220A 12-14B	KIT REPUES.EV220A 12-14B	KIT RECHANGES EV220A 12-14B
9	333682	ELECTROVALVE BRACKET	SOPORTE ELECTROVALVULAS	SUPPORT ELECTROVANNES
10	410613	WATER INLET HOSE	TUBO ENTRADA AGUA	TUYAU ENTRÉE EAU
11	411363	WATER INLET HOSE	TUBO ENTRADA AGUA	TUBE ENTREE EAU
12	411397	WATER INLET HOSE	TUBO ENTRADA AGUA	TUBE ENTREE EAU
13	427187	WATER INLET HOSE	TUBO ENTRADA AGUA	TUBE ENTREE EAU
14	430934	WATER INLET HOSE	TUBO ENTRADA AGUA	TUBE ENTREE EAU
15	432666	WATER INLET HOSE	TUBO ENTRADA AGUA	TUBE ENTREE EAU
16	333690	WATER INLET NUT	FIGURA 243 MI DE 1/2" LATON	ECROU ENTREE EAU
17	333708	VALVE EV220A 14B G12E NC000	VALVULA EV220A 14B G12E NC000	VANNE EV220A 14B G12E NC000
	333716	COIL AB 5W 12V CC 042N0806	BOBINA AB 5W 12V CC 042N0806	BOBINE AB 5W 12V CC 042N0806



N°	REF.	DENOMINATION	DENOMINACIÓN	DÉNOMINATION
1	155150	CLAMP 8-16	ABRAZADERA 8- 16	BRIDE 8-16
2	156109	CLAMP 16-27	ABRAZADERA 16- 27	BRIDE 16-27
3	152165	BRANCH	BIFURCACION	BIFURCATION
4	140525	CLAMP 2244-0	BRIDA UNEX 2244-0	BRIDE 2244-0
5	333658	DISTRIBUTOR	DISTRIBUIDOR	DISTRIBUTEUR
6	422824	DOUBLE ELECTROVALVE 349 12VCC	ELECTROVALVULA DOS VIAS	ELECTROVANNE DOUBLE 349 12VCC
	156265	REGULATOR 3 L/MIN (BLACK)	REGULADOR DE 3 L/MIN. (NEGRO)	REGULATEUR 3 L/MIN (NOIR)
	300194	YELLOW CASE 30053	ESTUCHE AMARILLO 30053	BOITE JAUNE 30053
	300202	INTEGRAL GUIDE-MEMBRANE 30696	MEMBRANA-GUIA INTEGRAL 30696	MEMBRANE-GUIDE INTEGRALE 30696
	332296	COIL 255043000000 12VCC	BOBINA 255043000000 12VCC	BOBINE 255043000000 12VCC
7	433656	3-TRACK ELECTROVALVE	ELECTROVALVULA TRES VIAS	ELECTROVANNE TROIS VOIES
	156257	REGULATOR 8 L/MIN.RED	REGULADOR DE 8 L/MIN. (ROJO)	REGULATEUR 8 L/MIN ROUGE
	156265	REGULATOR 3 L/MIN (BLACK)	REGULADOR DE 3 L/MIN. (NEGRO)	REGULATEUR 3 L/MIN (NOIR)
	300194	YELLOW CASE 30053	ESTUCHE AMARILLO 30053	BOITE JAUNE 30053
	300202	INTEGRAL GUIDE-MEMBRANE 30696	MEMBRANA-GUIA INTEGRAL 30696	MEMBRANE-GUIDE INTEGRALE 30696
	332296	COIL 255043000000 12VCC	BOBINA 255043000000 12VCC	BOBINE 255043000000 12VCC
8	129494	ELBOW FIG 92 1/2" GALV	FIGURA 92 DE 1/2"AMAT GALV.	COUDE FIG 92 1/2" GALV
9	341685	SPARE-PARTS KIT EV220A 12-14B	KIT REPUES.EV220A 12-14B	KIT RECHANGES EV220A 12-14B
10	333682	ELECTROVALVE BRACKET	SOPORTE ELECTROVALVULAS	SUPPORT ELECTROVANNES
11	156687	CONICAL END-PIECE R-16 D16	TOPE CONICO REPRIMSA R-16 D16	ARRET CONIQUE R-16 D16
12	410621	WATER INLET HOSE	TUBO ENTRADA AGUA	TUYAU ENTRÉE EAU
13	411389	WATER INLET HOSE	TUBO ENTRADA AGUA	TUBE ENTREE EAU
14	411397	WATER INLET HOSE	TUBO ENTRADA AGUA	TUBE ENTREE EAU
15	427187	WATER INLET HOSE	TUBO ENTRADA AGUA	TUBE ENTREE EAU
16	432682	WATER INLET HOSE	TUBO ENTRADA AGUA	TUBE ENTREE EAU
17	432690	WATER INLET HOSE	TUBO ENTRADA AGUA	TUBE ENTREE EAU
18	333690	WATER INLET NUT	FIGURA 243 MI DE 1/2" LATON	ECROU ENTREE EAU
19	333708	VALVE EV220A 14B G12E NC000	VALVULA EV220A 14B G12E NC000	VANNE EV220A 14B G12E NC000
	333716	COIL AB 5W 12V CC 042N0806	BOBINA AB 5W 12V CC 042N0806	BOBINE AB 5W 12V CC 042N0806



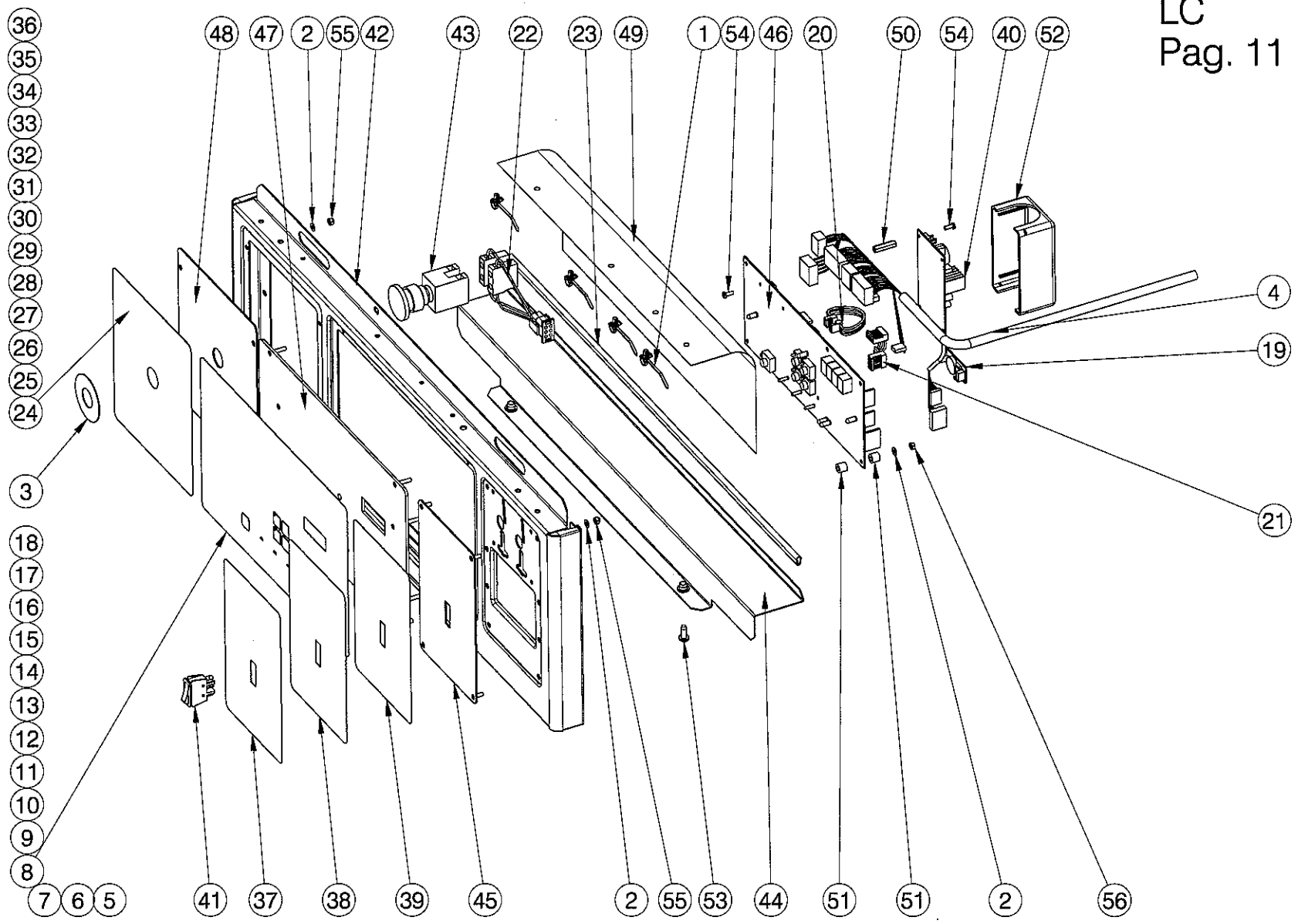
N°	REF.	DENOMINATION	DENOMINACIÓN	DÉNOMINATION
1	333450	WASHER D137XD2	ABRAZ.ALAMBRE D137XD2	RONDELLE D137XD2
2	340505	WASHER D58XD2	ABRAZ.ALAMBRE SWHCFS 5850	RONDELLE D58XD2
3	333443	WASHER SWHCFS 8780	ABRAZ.ALAMBRE SWHCFS 8780	RONDELLE SWHCFS 8780
4	338897	CLAMP 20,2	ABRAZ.FIM 20202 B20,2	BRIDE 20,2
5	132290	CLAMP 301508-9 D50-70	ABRAZADERA 50- 70	BRIDE 301508-9 D50-70
6	132340	CLAMP 301510-0 D80-100	ABRAZADERA 80-100	BRIDE 301510-0 D80-100
7	323675	CLAMP NORMA 22HC0593	ABRAZADERA NORMA 22HC0593	COLLIER NORMA 22HC0593
8	131508	FLEXIBLE RING E-17 DIN 471	ANILLO ELASTICO E-17 DIN 471	BAGUE ELASTIQUE E-17 DIN 471
9	149526	BICR.WASHER B DIN125-ST 6,4	ARAN.B DIN125-ST B.TRI. 6,4	RONDELLE B DIN125-ST BICR.6,4
10	430629	RUBBER ELBOW 446 X 67	CODO GOMA 446 X 67	COUDE GOMME 446 X 67
11	163253	DRAIN OUTLET HOSE	TUBO SALIDA DESAGÜE	TUBE SORTIE VIDANGE
12	422485	SOAP DISPENSER SET	CONJUNTO DOSIFICADOR	ENSEMBLE BAC A PRODUITS
13	431700	DRAIN PROTECTION FIXING-PIECE	FIJACION PROTECCION DESAGÜE	FIXATION PROTECTION VIDANGE
14	340943	OUTERDRUM COLLECTOR BELLOWS	FUELLE COLECTOR ENVOLVENTE	DURITE COLLECTEUR CUVE
15	344218	OUTERDRUM DRAIN BELLOWS	FUELLE DESAGUE ENVOLVENTE	DURITE VIDANGE CUVE
16	344101	SOAP DOSING INSERTO (EM040) (COIN CTRL MODELS ONLY)	INSERTO DOSIFICADOR (EM040) (PARA MODELOS A COIN CONTROL)	INSERTO BAC A PRODUITS (EM040) (POUR MODELO COIN CONTROL)
17	321430	SOAP DISPENSER GASKET	JUNTA DOSIFICADOR	JOINT BACS A PRODUITS
18	159681	TORIC GASKET 50X56X3 RE.2676	JUNTA TORICA 50X56X3 REF.2676	JOINT TORIQUE 50X56X3 REF.2676
19	333575	DRAIN SLEEVE	MANGUITO DESAGÜE	FRETTE VIDANGE
20	431692	DRAIN COIL PROTECTION	PROTECCION BOBINA DESAGÜE	PROTECTION BOBINE VIDANGE
21	423228	DRAIN PROTECTION	PROTECCION DESAGÜE	PROTECTION VIDANGE
22	321349	WATER INLET RACCORD	RACOR ENTRADA AGUA DIRECTA	RACCORD ENTREE EAU
23	156687	CONICAL END-PIECE R-16 D16	TOPE CONICO REPRIMSA R-16 D16	ARRET CONIQUE R-16 D16
24	333625	SCREW T25 M6X15	TOR.ALOM.T25 AR.18ESTR.M6X15	VIS T25 M6X15
25	183400	CYL.PLATE SCREW ST-4 20 C/AL	TOR.CHAPA ST-4 20 C/AL.T25	VIS PLAQUE CYL.ST-4 20 C/AL
26	339598	ASPIRATION HOSE	TUBO ASPIRACION	TUBE ASPIRATION
27	430769	DRAIN HOSE	TUBO DESAGUE	TUBE VIDANGE
28	283820	BEARING BOX DRAIN HOSE	TUBO DESAGÜE CAJA COJINETES	TUBE VIDANGE BOITE ROULEMENTS
29	338889	VAPOUR OUTLET HOSE	TUBO DESVAPORIZADOR	TUBE SORTIE CONDENSATS

MS-617 408518B 10B

N°	REF.	DENOMINATION	DENOMINACIÓN	DÉNOMINATION
30	432765	OVERFLOW HOSE	TUBO REBOSADERO	TUBE DEVERSOIR
31	176834	SELFBLOCKING NUT DIN985 M-6	TUER.AUTOBL.DIN985-8 B.TRI.M6	ECROU AUTOBLOCANT DIN985 M-6



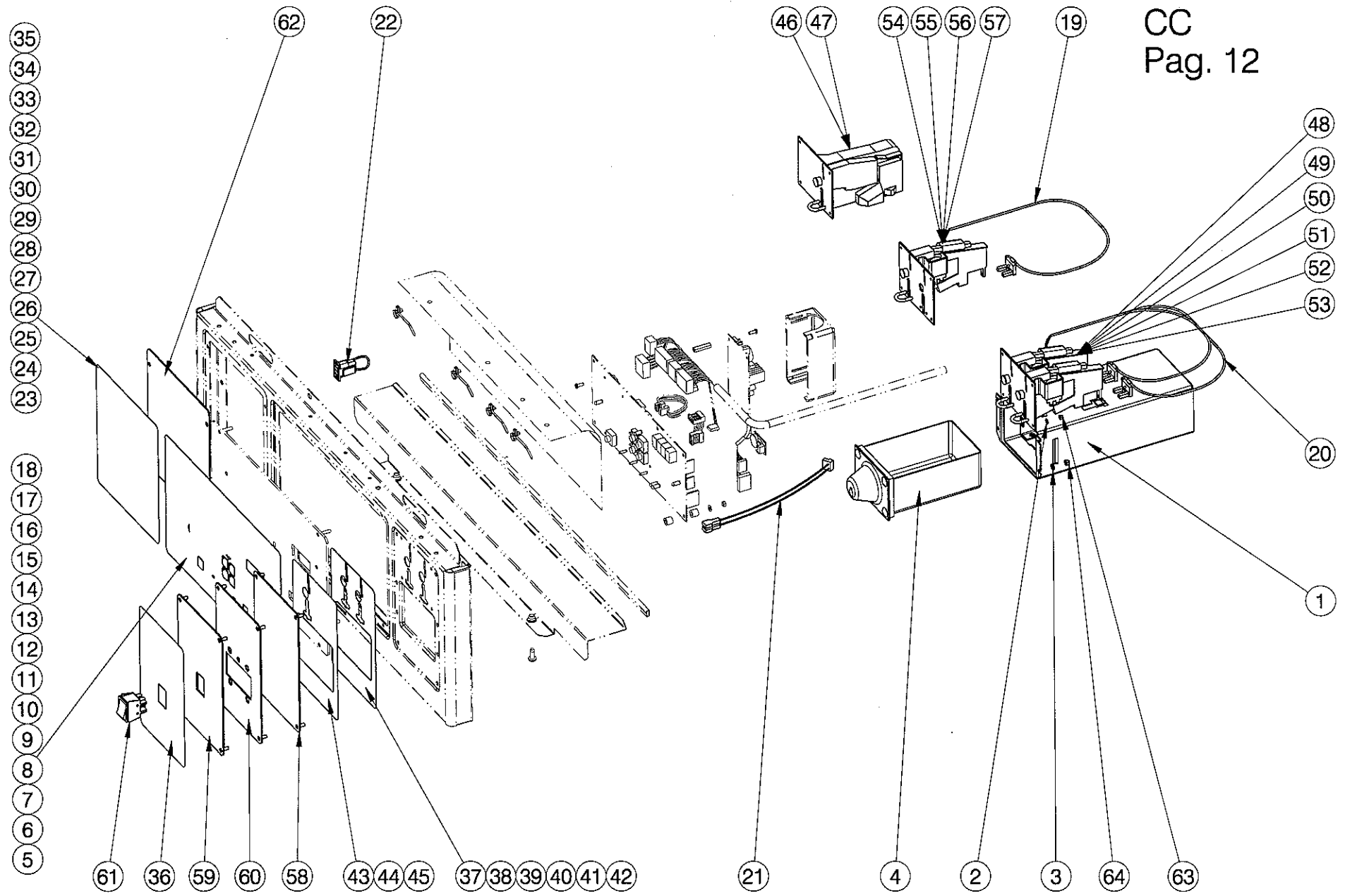




N°	REF.	DENOMINATION	DENOMINACIÓN	DÉNOMINATION
1	326132	CLAMP ABA-036-48-0152-B	ABRAZADERA ABA-036-48-0152-B	BRIDE ABA-036-48-0152-B
2	149476	BICR.WASHER B DIN125-ST 4,3	ARAN.B DIN125-ST B.TRI. 4,3	RONDELLE B DIN125-ST BICR.4,3
3	192294	YELLOW RING	ARO AMARILLO	BAGUE JAUNE
4	343509	HARNESS	CABLEADO ELECTRICO	CABLAGE
5	342741	WASHER-EXTRACTOR PLATE LC DA	CARATULA LAVADORA LC DA	PLAQUE LAVEUSE LC DA
6	338715	WASHER-EXTRACTOR PLATE LC DE	CARATULA LAVADORA LC DE	PLAQUE LAVEUSE LC DE
7	342782	WASHER-EXTRACTOR LC EL	CARATULA LAVADORA LC EL	PLAQUE LAVEUSE LC EL
8	303719	WASHER-EXTRACTOR PLATE LC EN	CARATULA LAVADORA LC EN	PLAQUE LAVEUSE LC EN
9	338699	WASHER-EXTRACTOR PLATE LC ES	CARATULA LAVADORA LC ES	PLAQUE LAVEUSE LC ES
10	342840	WASHER-EXTRACTOR PLATE LC FI	CARATULA LAVADORA LC FI	PLAQUE LAVEUSE LC FI
11	338707	WASHER-EXTRACTOR PLATE LC FR	CARATULA LAVADORA LC FR	PLAQUE LAVEUSE LC FR
12	338723	WASHER-EXTRACTOR PLATE LC IT	CARATULA LAVADORA LC IT	PLAQUE LAVEUSE LC IT
13	342865	WASHER-EXTRACTOR PLATE LC JA	CARATULA LAVADORA LC JA	PLAQUE LAVEUSE LC JA
14	342808	WASHER-EXTRACTOR PLATE LC NL	CARATULA LAVADORA LC NL	PLAQUE LAVEUSE LC NL
15	342725	WASHER-EXTRACTOR PLATE LC NO	CARATULA LAVADORA LC NO	PLAQUE LAVEUSE LC NO
16	342881	WASHER-EXTRACTOR PLATE LC PT	CARATULA LAVADORA LC PT	PLAQUE LAVEUSE LC PT
17	342766	WASHER-EXTRACTOR PLATE LC SV	CARATULA LAVADORA LC SV	PLAQUE LAVEUSE LC SV
18	341271	LC WASHER-EXTR.PLATE VIKING	CARATULA LAVADORA LC VIKING	PLAQUE LAVEUSE LC VIKING
19	322677	CLOCK CIRCUIT	CIRCUITO RELOJ	CIRCUIT HORLOGE
20	432419	IDENTIFICATION PLUG	CONECTORA IDENTIFICACION	CONNECTEUR IDENTIFICATION
21	342451	INSTALLATION PLUG	CONECTORA INSTALACION	CONNECTEUR INSTALLATION
22	342006	EMERGENCY STOP PLUG	CONECTORA PARO EMERGENCIA	CONNECTEUR ARRET EMERGENCE
23	192021	PROFILE	ENCUADERNADOR P (NEGRO) 2MT.	PROFILE
24	342931	SAFETY INSTR.LABEL DA	ETIQUETA INSTR. SEGURIDAD DA	ETIQUETTE INSTR.SECURITE DA
25	338756	SAFETY INSTR.LABEL DE	ETIQUETA INSTR.SEGURIDAD DE.	ETIQUETTE INSTR.SECURITE DE
26	342972	SAFETY INSTR.LABEL EL	ETIQUETA INSTR. SEGURIDAD EL	ETIQUETTE INSTR.SECURITE EL
27	338020	SAFETY INSTR.LABEL EN	ETIQUETA INSTR. SEGURIDAD EN	ETIQUETTE INSTR.SECURITE EN
28	338731	SAFETY INSTR.LABEL ES	ETIQUETA INSTR.SEGURIDAD ES.	ETIQUETTE INSTR.SECURITE ES
29	343012	SAFETY INSTR.LABEL FI	ETIQUETA INSTR, SEGURIDAD FI	ETIQUETTE INSTR.SECURITE FI
30	338749	SAFERY INSTR.LABEL FR	ETIQUETA INSTR.SEGURIDAD FR.	ETIQUETTE INSTR.SECURITE FR

N°	REF.	DENOMINATION	DENOMINACIÓN	DÉNOMINATION
31	338764	SAFETY INSTR.LABEL IT	ETIQUETA INSTR.SEGURIDAD IT.	ETIQUETTE INSTR.SECURITE IT
32	343046	SAFETY INSTR.LABEL JA	ETIQUETA INSTR. SEGURIDAD JA	ETIQUETTE INSTR.SECURITE JA
33	342998	SAFETY INSTR.LABEL NL	ETIQUETA INSTR. SEGURIDAD NL	ETIQUETTE INSTR.SECURITE NL
34	342915	SAFETY INSTR.LABEL NO	ETIQUETA INSTR. SEGURIDAD NO	ETIQUETTE INSTR.SECURITE NO
35	343061	SAFETY INSTR.LABEL PT	ETIQUETA INSTR. SEGURIDAD PT	ETIQUETTE INSTR.SECURITE PT
36	342956	SAFETY INSTR.LABEL SV	ETIQUETA INSTR. SEGURIDAD SV	ETIQUETTE INSTR.SECURITE SV
37	338012	START-STOP LABEL	ETIQUETA MARCHA-PARO	ETIQUETTE MARCHE-ARRET
38	343962	START-STOP LABEL JA	ETIQUETA MARCHA-PARO JA	ETIQUETTE MARCHE-ARRET JA
39	344655	START-STOP LABEL JHC	ETIQUETA MARCHA-PARO JHC	ETIQUETTE MARCHE-ARRET JHC
40	332718	POWER SOURCE MW PS-25-12	FUENTE ALIMENT.MW PS-25-12	FONT ALIMENT.MW PS-25-12
41	300780	SWITCH 1WIXII/3359 WHITE	INTER.PILOTO 1WIXII/3359 BLANC	INTERRUPTEUR 1WIXII/3359 BLANC
42	428490	CONTROL PANEL	PANEL DE MANDOS	PANNEAU DE COMMANDES
43	341529	EMERGENCY STOP LC	PARO EMERGENCIA LC	ARRET EMERGENCE LC
44	432559	CONTROL PANEL PROFILE	PERFIL PANEL DE MANDOS	PROFILE PANNEAU DE COMMANDES
45	421263	SWITCH PLATE	PLACA INTERRUPTOR	PLAQUE INTERRUPTEUR
46	332361	MICROPROCESSOR BOARD HS-60**	PLACA MICROPROCESADOR HS-60**	PLAQUE MICROPROCESSEUR HS-60**
47	429894	CONTROL PANEL PLATE	PLACA PANEL DE MANDOS	PLAQUE PANNEAU DE COMMANDES
48	429886	EMERGENCY STOP PLATE	PLACA PARO EMERGENCIA	PLAQUE ARRET EMERGENCE
49	432575	MICRO BOARD PROTECTION	PROTECCION PLACA MICRO	PROTECTION PLAQUE MICRO
50	322685	SEPARATOR HEX.HS6-8	SEPARADOR EXAGONAL HS6-8	SEPARATEUR HEX. HS6-8
51	322768	SEPARATOR CIL.SS8-3L CPVC	SEPARADOR PLACA MICRO	SEPARATEUR CIL.SS8-3L CPVC
52	326843	MICROPROCESSOR PLATE COVER	TAPA PLACA MICROPROCESADOR	COUVERCLE PLAQUE MICROPROSSEUR
53	333294	SCREW T25 M6X15	TOR.ALOM.T25 AR.18ESTR.M 6X15	VIS T25 M6X15
54	322693	SCREW PT KB35X10 WN1412	TOR.CELO 3510RF81T 3.5X10	VIS PT KN35X10 WN1412
55	132043	SELFBLOCKING NUT DIN985 M 4	TUER.AUTOBL.DIN985-8 B.TRI.M 4	ECROU AUTOBLOCANT DIN985 M 4
56	150185	BICR.HEX.NUT DIN934-8 M4	TUER.EX.DIN934-8 B.TRI.M 4	ECROU HEX.DIN934-8 BICR.M4





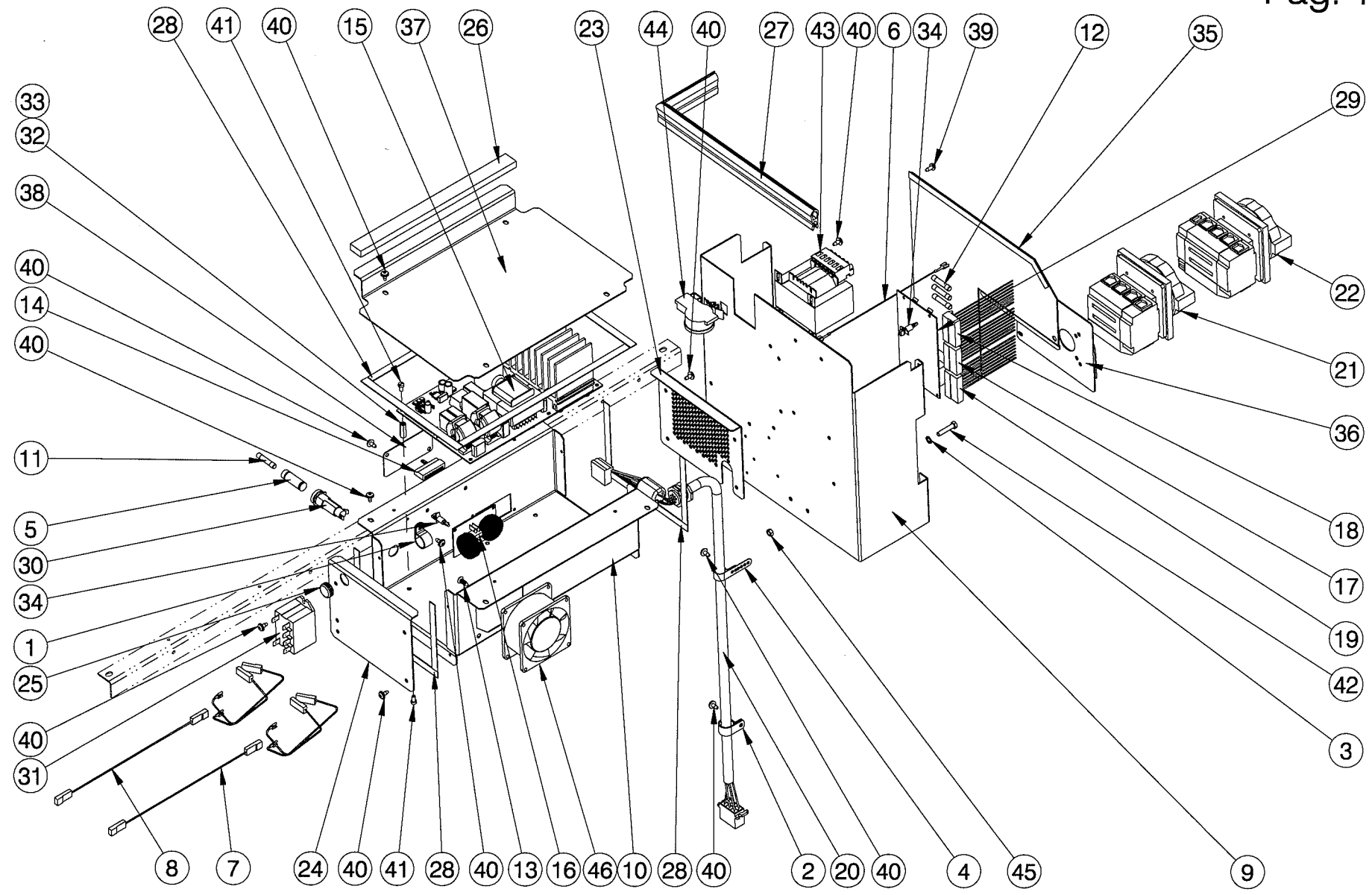
N°	REF.	DENOMINATION	DENOMINACIÓN	DÉNOMINATION
1	322313	COIN BOX SUPPORT	APOYO CAJON MONEDAS	APPUI BOITE MONNAIE
2	149484	BICR.WASHER B DIN125-ST 3,2	ARAN.B DIN125-ST B.TRI. 3,2	RONDELLE B.DIN125-ST BICR. 3,2
3	149476	BICR.WASHER B DIN125-ST 4,3	ARAN.B DIN125-ST B.TRI. 4,3	RONDELLE B DIN125-ST BICR.4,3
4	169169	COIN BOX UG400A GI	CAJA MONEDAS UG400A GI	BOITE MONNAIE UG400A GI
5	342733	WASHER-EXTRACTOR PLATE CC DA	CARATULA LAVADORA CC DA	PLAQUE LAVEUSE CC DA
6	338673	WASHER-EXTRACTOR PLATE CC DE	CARATULA LAVADORA CC DE	PLAQUE LAVEUSE CC DE
7	342774	WASHER-EXTRACTOR PLATE CC EL	CARATULA LAVADORA CC EL	PLAQUE LAVEUSE CC EL
8	303701	WASHER-EXTRACTOR PLATE CC EN	CARATULA LAVADORA CC EN	PLAQUE LAVEUSE CC EN
9	338657	WASHER-EXTRACTOR PLATE CC ES	CARATULA LAVADORA CC ES	PLAQUE LAVEUSE CC ES
10	342832	WASHER-EXTRACTOR PLATE CC FI	CARATULA LAVADORA CC FI	PLAQUE LAVEUSE CC FI
11	338665	WASHER-EXTRACTOR PLATE CC FR	CARATULA LAVADORA CC FR	PLAQUE LAVEUSE CC FR
12	338681	WASHER-EXTRACTOR PLATE CC IT	CARATULA LAVADORA CC IT	PLAQUE LAVEUSE CC IT
13	342857	WASHER-EXTRACTOR PLATE CC JA	CARATULA LAVADORA CC JA	PLAQUE LAVEUSE CC JA
14	342790	WASHER-EXTRACTOR PLATE CC NL	CARATULA LAVADORA CC NL	PLAQUE LAVEUSE CC NL
15	342717	WASHER-EXTRACTOR PLATE CC NO	CARATULA LAVADORA CC NO	PLAQUE LAVEUSE CC NO
16	342873	WASHER-EXTRACTOR PLATE CC PT	CARATULA LAVADORA CC PT	PLAQUE LAVEUSE CC PT
17	342758	WASHER-EXTRACTOR PLATE CC SV	CARATULA LAVADORA CC SV	PLAQUE LAVEUSE CC SV
18	339390	WASHER-EXTRAC.PLATE CC USA/CAN	CARATULA LAVADORA CC USA/CAN	PLAQUE LAVEUSE CC USA/CAN
19	322461	COIN-METER 1 PLUG	CONECTORA 1 MONEDERO	CONNECTEUR 1 MONNAYEUR
20	322453	COIN-METER 2 PLUG	CONECTORA 2 MONEDERO	CONNECTEUR 2 MONNAYEURS
21	411678	COIN-METER PLUG (WITH PUSH-BUTTON)	CONECTORA MONEDERO (CON PULSADOR)	CONNECTEUR MONNAYEUR (AVEC BOUTON-POUSSOIR)
22	341990	EMERGENCY STOP PLUG	CONECTORA PARO EMERGENCIA	CONNECTEUR ARRET EMERGENCE
23	342949	SAFETY INSTR.LABEL DA	ETIQUETA INSTR. SEGURIDAD DA	ETIQUETTE INSTR.SECURITE DA
24	339218	SAFETY INSTR.LABEL DE	ETIQUETA INSTR.SEGURIDAD DE.	ETIQUETTE INSTR.SECURITE DE
25	342980	SAFETY INSTR.LABEL EL	ETIQUETA INSTR. SEGURIDAD EL	ETIQUETTE INSTR.SECURITE EL
26	303693	SAFETY INSTR.LABEL EN	ETIQUETA INSTR. SEGURIDAD EN	ETIQUETTE INSTR.SECURITE EN
27	339192	SAFETY INSTR.LABEL ES	ETIQUETA INSTR.SEGURIDAD ES.	ETIQUETTE INSTR.SECURITE ES
28	343020	SAFETY INSTR.LABEL FI	ETIQUETA INSTR. SEGURIDAD FI	ETIQUETTE INSTR.SECURITE FI
29	339200	SAFETY INSTR.LABEL FR	ETIQUETA INSTR.SEGURIDAD FR.	ETIQUETTE INSTR.SECURITE FR

N°	REF.	DENOMINATION	DENOMINACIÓN	DÉNOMINATION
30	339226	SAFETY INSTR.LABEL IT	ETIQUETA INSTR.SEGURIDAD IT.	ETIQUETTE INSTR.SECURITE IT
31	343053	SAFETY INSTR.LABEL JAPANESE	ETIQUETA INSTR. SEGURIDAD JA	ETIQUETTE INSTR.SECURITE JA
32	343004	SAFETY INSTR.LABEL NL	ETIQUETA INSTR. SEGURIDAD NL	ETIQUETTE INSTR.SECURITE NL
33	342923	SAFETY INSTR.LABEL NO	ETIQUETA INSTR. SEGURIDAD NO	ETIQUETTE INSTR.SECURITE NO
34	343079	SAFETY INSTR.LABEL PT	ETIQUETA INSTR. SEGURIDAD PT	ETIQUETTE INSTR.SECURITE PT
35	342964	SAFETY INSTR.LABEL SV	ETIQUETA INSTR. SEGURIDAD SV	ETIQUETTE INSTR.SECURITE SV
36	429878	START-STOP LABEL CP	ETIQUETA MARCHA-PARO CP	ETIQUETTE MARCHE-ARRET CP
37	339325	COINMETER LABEL CC-MD EUR	ETIQUETA MONEDERO CC-MD EUR	ETIQUETTE MONNAYEUR CC-MD EUR
38	339507	COINMETER LABEL CC-MD GBP	ETIQUETA MONEDERO CC-MD GBP	ETIQUETTE MONNAYEUR CC-MD GBP
39	339515	COINMETER LABEL CC-MD NIS	ETIQUETA MONEDERO CC-MD NIS	ETIQUETTE MONNAYEUR CC-MD NIS
40	339499	COINMETER LABEL CC-MD USD	ETIQUETA MONEDERO CC-MD USD	ETIQUETTE MONNAYEUR CC-MD USD
41	342550	COINMETER LABEL CC-MD YEN	ETIQUETA MONEDERO CC-MD YEN	ETIQUETTE MONNAYEUR CC-MD YEN
42	339549	COINMETER LABEL CC-MS-25C	ETIQUETA MONEDERO CC-MS-25C	ETIQUETTE MONNAYEUR CC-MS-25C
43	339564	COINMETER LABEL CC-MS YEN	ETIQUETA MONEDERO CC-MS YEN	ETIQUETTE MONNAYEUR CC-MS YEN
44	339523	COINMETER LABEL CC-MS-FG	ETIQUETA MONEDERO CC-MS-FG	ETIQUETTE MONNAYEUR CC-MS-FG
45	339234	COINMETER LABEL CC-MU	ETIQUETA MONEDERO CC-MU	ETIQUETTE MONNAYEUR CC-MU
46	327353	COIN-METER EMP 500	MONEDERO EMP 500 EUROS	MANNAYEUR EMP 500
47	411223	COIN-METER EMP 500	MONEDERO EMP 500 NO EUROS	MANNAYEUR EMP 500
48	323741	COIN-METER F60.1W2403/0.2/2EUR	MONEDERO F60.1 0,20/2,00EUR	MONNAYEUR F60.1W2403/ 0.2/2EUR
49	326892	COIN-METER F60 1W2004-M3 12VAC	MONEDERO F60.1 0,25/1,00CAD	MONNAYEUR F60,1 0,25/1,00CAD
50	323659	COIN-METER F60 1W2004-M3 12VAC	MONEDERO F60.1 0,25/1,00USD	MONNAYEUR F60 1W2004-M3 12VAC
51	326769	COIN-METER F60.1 0,50/1,00 GBP	MONEDERO F60.1 0,50/1,00GBP	MONNAYEUR F60.1 0,50/1,00 GBP
52	326835	COIN-METER F60.1 1,00/5,00ILS	MONEDERO F60.1 1,00/5,00ILS	MONNAYEUR F60.1 1,00/5,00 ILS
53	431007	COINMETER F60.1 100/500 JPY	MONEDERO F60.1 100/500 JPY	MONNAYEUR F60.1 100/500 JPY
54	323642	COIN-METER F60,11W2004-M112VAC	MONEDERO F60.11 0,25USD	MONNAYEUR F60.11W2004-M1 12VAC
55	326777	COIN-METER F60.11 100YEN	MONEDERO F60.11 100YEN	MONNAYEUR F60.11 100YEN
56	344622	COIN-METER F60.11 10NTD	MONEDERO F60.11 10NTD	MONNAYEUR F60.11 10NTD
57	323733	COIN-METER F60.11W2000-TOKEN G	MONEDERO F60.11 FICHA GIRBAU	MONNAYEUR F60.11W2000 JETON GI
58	428656	BLIND PLATE	PLACA CIEGA	PLAQUE AVEUGLE
59	422998	SWITCH PLATE	PLACA INTERRUPTOR	PLAQUE INTERRUPTEUR



MS-617 408518B 12C

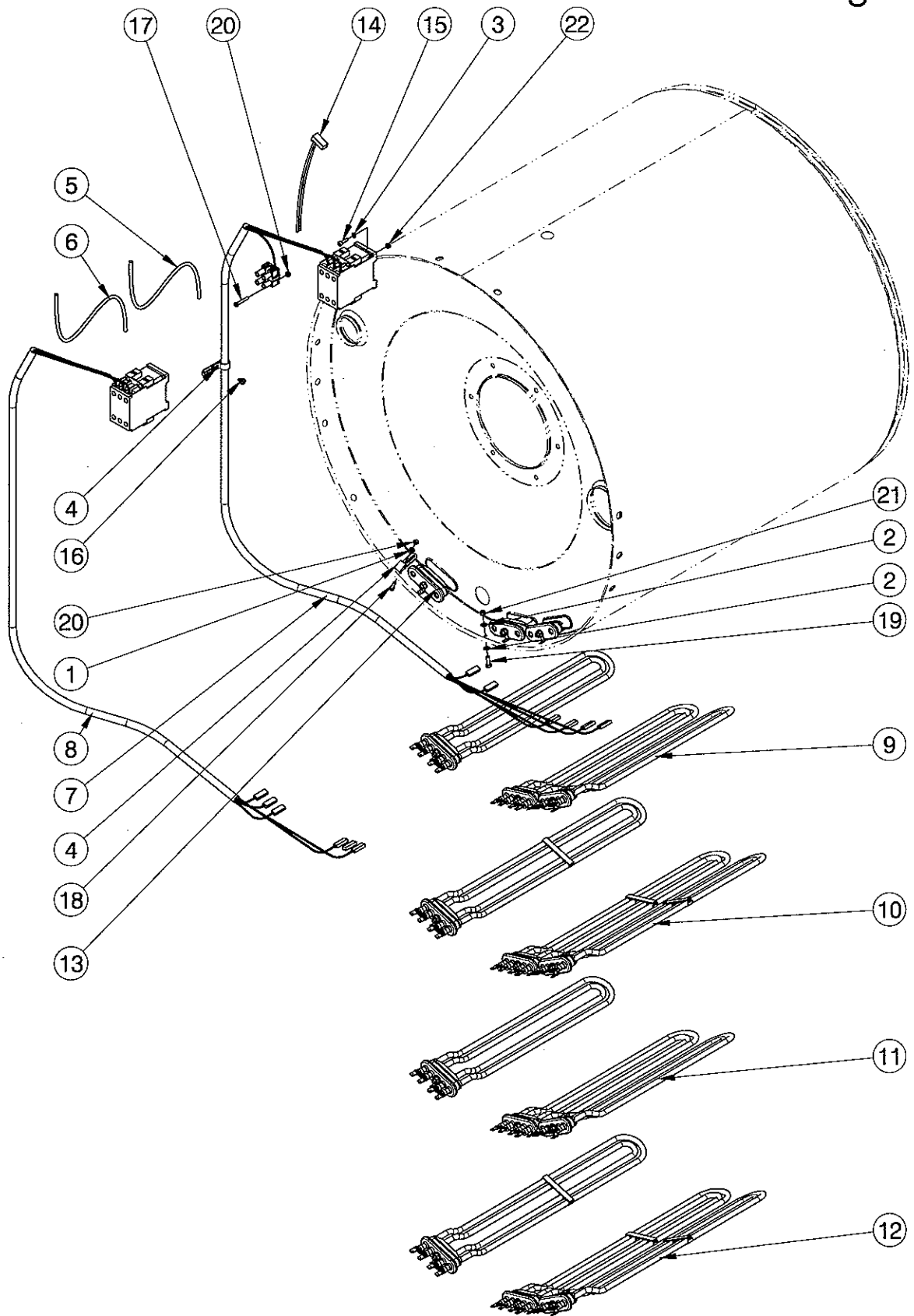
N°	REF.	DENOMINATION	DENOMINACIÓN	DÉNOMINATION
60	433532	CARD READER PLATE	PLACA LECTOR TARJETA	PLAQUE LECTEUR CARTE
61	138339	PUSH-BUTTON 2WIXII/5518 (WITH PUSH-BUTTON)	PULSADOR 2WIXII/5518 (CON PULSADOR)	BOUTON-POUSSOIR 2WIXII/5518 (AVEC BOUTON-POUSSOIR)
62	422972	CONTROL PANEL COVER	TAPA PANEL DE MANDOS	COUVERCLE PANNEAU DE COMMANDES
63	129692	SELFBLOCKING NUT DIN985 M 3	TUER.AUTOBL.DIN985-8 B.TRI.M 3	ECROU AUTOBLOCANT DIN985 M 3



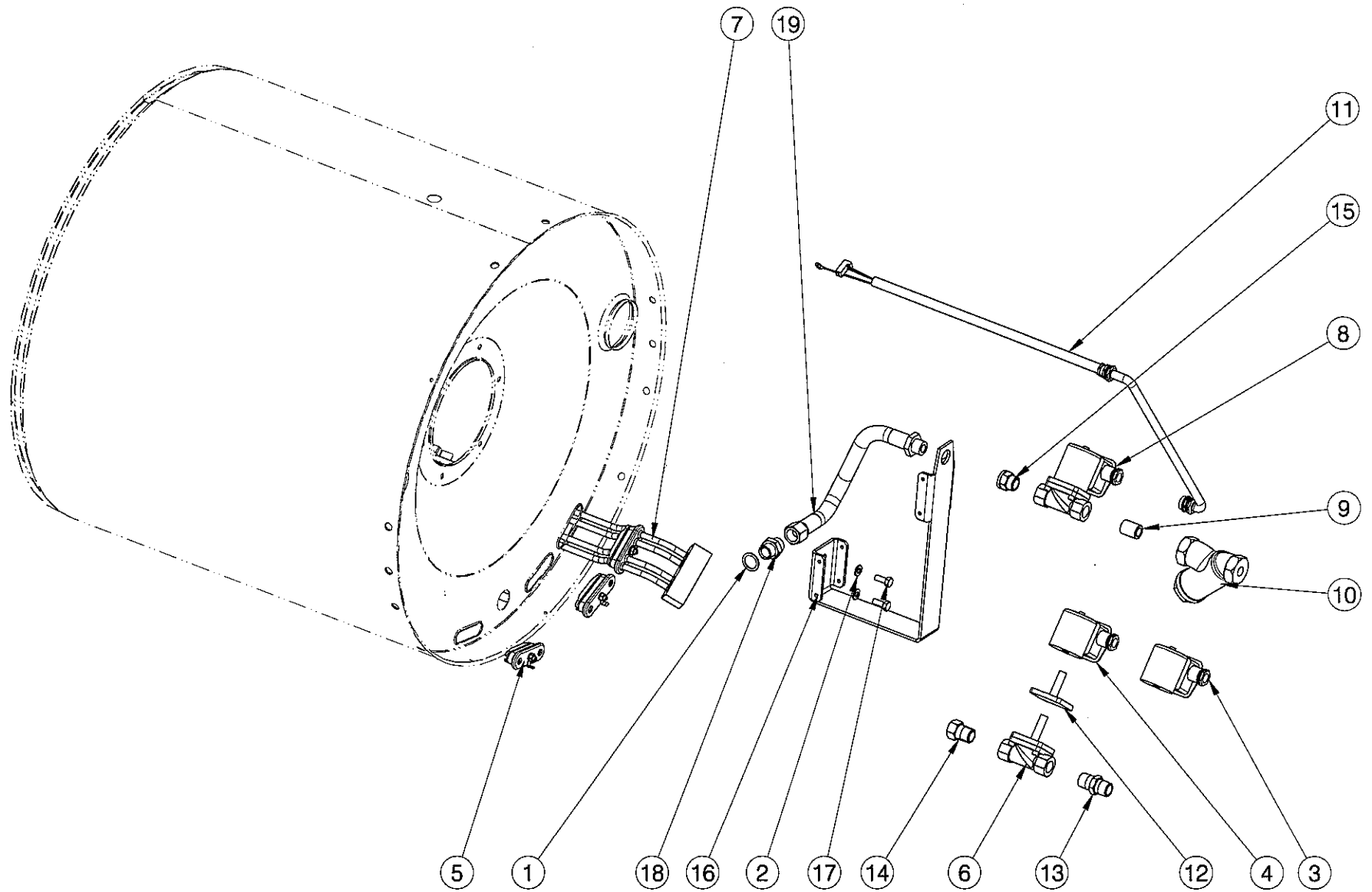
N°	REF.	DENOMINATION	DENOMINACIÓN	DÉNOMINATION
1	323055	ALUMINIUM CLAMP AL2	ABRAZADERA ALUMINIO AL2	BRIDE ALUMINIUM AL2
2	332957	ALUMINIUM WASHER AL9	ABRAZADERA ALUMINIO AL9	RONDELLE ALUMINIUM AL9
3	149724	BICR EXT.TOOT.WASH.DIN6798 M5	ARAN.DEN.EXT.B.TRI.DIN6798M 5	RONDEL DEN.EX.BICR.DIN6798 M5
4	140418	CLAMP UNEX REF 1201	BRIDA UNEX 1201	BRIDE UNEX REF 1201
5	137661	BAYONET HEAD	CABEZA BAYONETA FEK.031.1613	TETE BAYONETTE
6	430231	EXTERNAL DOSING WIRE (EM040)	CABLE DOSIFICACION EXT. (EM040)	CABLE DOSAGE EXTERNE (EM040)
7	341818	CONVERTER WIRES (EM040)	CABLES CONVERTIDOR (EM040)	CABLES CONVERTISSEUR (EM040)
8	344358	CONVERTER WIRES (MS-617)	CABLES CONVERTIDOR (MS-617)	CABLES CONVERTISSEUR (MS-617)
9	431098	POWER INLET BOX	CAJA ENTRADA CORRIENTE	BOITE ENTREE COURANT
10	431049	VARIATOR BOX	CAJA VARIADOR	BOITE VARIATEUR
11	339127	FUSE SPT 0001.2534 10A	CART.FUSIB.SPT 0001.2534 10A	CARTOUCHE SPT 0001.2534 10A
12	321125	FUSE SPT 1 A	CART.FUSIB.SPT 0001.2524 1 A	CARTOUCHE FUS. SPT 1 A
13	348540	CLIP UNDER PRESSURE	CLIP A PRESION	CLIP A PRESSION
14	341859	CONVERTER PLUG	CONECTORA CONVERTIDOR	CONNECTEUR CONVERTISSEUR
15	332734	FREQ.CONVERTER DANFOSS 1800	CONVERTIDOR FREQ.DANFOSS 1800	CONVERTISSEUR FREQ.DANFOSS1800
16	344325	EMC AUXILIARY FILTER (MS-617)	FILTRO EMC AUXILIAR (MS-617)	FILTRE EMC AUXLIAIRE (MS-617)
17	341974	ELECTROVALVE ELEC.INST.	INST. ELEC. ELECTROVALVULAS	INST.ELEC.ELECTROVANNES
18	342600	ELEC.INST. WITHOUT TRANSFORMER (EM040)	INST. ELEC. SIN TRANSFORMADOR (EM040)	INST.ELEC.SANS TRANSFORMATEUR (EM040)
19	341867	TRANSFORMER ELEC.INST. (MS-617)	INST. ELEC. TRANSFORMADOR (MS-617)	INST.ELEC.TRANSFORMATEUR (MS-617)
20	341842	MOTOR ELEC.INST. (FOR MACHINES ELECTR.HEATING)	INST. ELEC. MOTOR (PARA MODELOS CALEFAC.ELECTR.)	INST.ELEC.MOTEUR (POUR MACHINES CHAUF.ELECTR.)
21	344176	SECTION SWITCH 32A (FOR MOD. HOT WATER/STEAM)	INTERRUPTOR SECCIONADOR 32A (PARA MOD.AGUA CALIENTE/VAPOR)	INTERRUPTEUR SECTIONNEUR 32A (POUR MOD.EAU CHAUDE/VAPEUR)
22	344168	SECTION SWITCH 63A	INTERRUPTOR SECCIONADOR 63A	INTERRUPTEUR SECTIONNEUR 63A
23	422535	VARIATOR BOX SIDE PANEL	LATERAL CAJA VARIADOR	LATERAL BOITE VARIATEUR
24	431056	VARIATOR BOX SIDE PANEL	LATERAL CAJA VARIADOR	LATERAL BOITE VARIATEUR
25	332601	SHEATH-LODGING DGB-7	PASAMUROS DGB-7	LOGEMENT DGB-7
26	439000	COVER SHOCK-ABSORBER PROFILE	PERFIL AMORTIGUADOR TAPA	PROFIL AMORTISSEUR COUVERCLE

N°	REF.	DENOMINATION	DENOMINACIÓN	DÉNOMINATION
27	431197	POWER INLET BOX PROFILE	PERFIL CAJA ENTRADA CORRIENTE	PROFILE BOITE ENTREE COURANT
28	321273	PROFILE E0819T00000 UL94HB	PERFIL E0813T00000 UL94HB	PROFILE E0819T00000 UL94HB
29	332395	AUXILIARY PLATE HS-60**	PLACA AUXILIAR HS-60**	PLAQUE AUXILIAIRE HS-60**
30	160119	FUSE HOLDER REF.FEC 031 1631	PORTAFUSIBLES REF.FEC.031.1631	PORTE-FUSIBLE REF.FEC 031 1631
31	322701	RELAY OMRON G7L-2A-TUB 12VDC	RELE OMRON G7L-2A-TUB 12VDC	RELAIS OMRON G7L-2A-TUB 12VDC
32	332726	HEX SEPARATOR HTSB-M4-20-7-1 (MS-617) (6 UNITS)  (EM040) (1 UNIT)	SEPARADOR HEX.HTSB-M4-20-7-1 (MS-617) (6 UNIDADES)  (EM040) (1 UNIDAD)	SEPARATEUR HEX HTSB-M4-20-7-1 (MS-617) (6 UNITÉS)  (EM040) (1 UNITÉ)
33	341933	HEX SEPARATOR HTSN-M4-20-8-1 (EM040) (5 UNITS)	SEPARADOR HEX.HTSN-M4-20-8-1 (EM040) (5 UNIDADES)	SEPARATEUR HEX HTSN-M4-20-8-1 (EM040) (5 UNITÉS)
34	332809	CIRCUIT BRACKET LCBS-4-7-01	SOPORTE CIRCUITO LCBS-4-7-01	SUPPORT CIRCUIT LCBS-4-7-01
35	431684	POWER INLET COVER	TAPA ENTRADA CORRIENTE	COUVERCLE ENTREE COURANT
36	431114	SELECTOR COVER	TAPA SELECTOR	COUVERCLE SELECTEUR
37	431148	VARIATOR COVER	TAPA VARIADOR	COUVERCLE VARIATEUR
38	430991	VARIATOR PLUG COVER	TAPETA CONECTOR VARIADOR	COUVERCLE CONNECTEUR VARIATEUR
39	328229	SCREW ALO.T25 AR.18ESTR M 4X10	TOR.ALOM.T25 AR.18ESTR.M 4X10	VIS ALOM.T25 AR.18ESTR.M 4X10
40	183400	CYL.PLATE SCREW ST-4 20 C/AL	TOR.CHAPA ST-4 20 C/AL.T25	VIS PLAQUE CYL.ST-4 20 C/AL
41	146076	BICR ROUND SCREW DIN84 M 4X 8	TOR.CIL.DIN84-4.8 B.TRI.M 4X 8	VIS ROND BICR DIN84-4.8 M 4X 8
42	146225	BI.HEX SCREW DIN933-8.8 M-5X25	TOR.EX.DIN933-8.8 B.TRI.M 5X25	VIS HEX BICR.DIN933-8.8 M-5X25
43	320614	TRANSFORMER IP00 100 VA (MS-617)	TRANSFORMADOR IP00 100 VA (MS-617)	TRANSFORMATEUR IP00 100 VA (MS-617)
44	322784	PRESSURE TRANSMITTER 400.95100	TRANSM.PRESION HUBA 400.95100	PRESSOSTAT HUBA 400.95100
45	150177	BICR HEX NUT DIN934-8 M5	TUER.EX.DIN934-8 B.TRI.M 5	ECROU HEX DIN934-8 BIC.M5
46	420976	CONVERTER FAN	VENTILADOR CONVERTIDOR	VENTILATEUR CONVERTISSEUR





N°	REF.	DENOMINATION	DENOMINACIÓN	DÉNOMINATION
1	149476	BICR.WASHER B DIN125-ST 4,3	ARAN.B DIN125-ST B.TRI. 4,3	RONDELLE B DIN125-ST BICR.4,3
2	149534	BICR.WASHER B DIN125-ST 5,3	ARAN.B DIN125-ST B.TRI. 5,3	RONDELLE B BICR.DIN125-ST 5,3
3	149732	BICR.EXT TOOT.WASH DIN6798 M4	ARAN.DEN.EXT.B.TRI.DIN6798M 4	RONDEL.DEN.EX.BICR.DIN6798 M4
4	140418	CLAMP UNEX REF 1201	BRIDA UNEX 1201	BRIDE UNEX REF 1201
5	341941	CONTACTOR FEEDING WIRES	CABLES ALIMENTACION CONTACTOR	CABLES ALIMENTATION CONTACTEUR
6	341958	CONTACTOR FEEDING WIRES (FOR 200-208-220-230-240V)	CABLES ALIMENTACION CONTACTOR (PARA 200-208-220-230-240V)	CABLES ALIMENTATION CONTACTEUR (POUR 200-208-220-230-240V)
7	341826	HEATING CONTACTOR WIRES (FOR 380-400-415V)	CABLES CONTACTOR CALEFACCION (PARA 380-400-415V)	CABLES CONTACTEUR CHAUFFAGE (POUR 380-400-415V)
8	341834	HEATING CONTACTOR WIRES	CABLES CONTACTOR CALEFACCION	CABLES CONTACTEUR CHAUFFAGE
9	332577	HEATER 230V 2000/1000 W	CALEFACTOR 230V 2000/1000 W	RESISTANCE 230V 2000/1000 W
10	333104	HEATER 230V 5000W	CALEFACTOR 230V 5000W	RESISTANCE 230V 5000W
11	332569	HEATER 240V 2000/1000W	CALEFACTOR 240V 2000/1000W	RESISTANCE 240V 2000/1000W
12	333112	HEATER 240V 5000W	CALEFACTOR 240V 5000W	RESISTANCE 240V 5000W
13	121962	HEATER INLET LID	CIERRE ENTRADA CALEFACTOR	FERMETURE ENTREE RESISTANCE
14	341966	HEATING RELAY ELEC.INST.	INST. ELEC. RELE CALEFACCION	INST.ELEC.RELAIS CHAUFFAGE
15	191254	ALLEN SCREW DIN 912 M 4X 15	TOR.ALLDIN912-8.8 B.TRI.M 4X15	VIS ALLEN DIN 912 M 4X 15
16	183400	CYL.PLATE SCREW ST-4 20 C/AL	TOR.CHAPA ST-4 20 C/AL.T25	VIS PLAQUE CYL.ST-4 20 C/AL
17	146183	BICR CYL SCREW DIN 84 M-4X25	TOR.CIL.DIN84-4.8 B.TRI.M 4X25	VIS CYL BICR DIN 84 M-4X25
18	146266	BICR.HEX SCREW DIN933-8 M-4X15	TOR.EX.DIN933-4.8 B.TRI.M 4X15	VIS HEX BICR.DIN933-8.8 M-4X15
19	146282	BICR.HEX SCREW DIN933-8 M 5X15	TOR.EX.DIN933-8.8 B.TRI.M 5X15	VIS HEX BICR.DIN933-8.8 M 5X15
20	132043	SELFBLOCKING NUT DIN985 M 4	TUER.AUTOBL.DIN985-8 B.TRI.M 4	ECROU AUTOBLOCANT DIN985 M 4
21	176826	SELF-BLOCKING NUT DIN 985 M-5	TUER.AUTOBL.DIN985-8 B.TRI.M5	ECROU AUTOBLOCANT DIN 985 M-5
22	150185	BICR.HEX.NUT DIN934-8 M4	TUER.EX.DIN934-8 B.TRI.M 4	ECROU HEX.DIN934-8 BICR.M4





N°	REF.	DENOMINATION	DENOMINACIÓN	DÉNOMINATION
		STEAM HEATING KITS	KITS CALEFACCIÓN VAPOR	KITS CHAUFFAGE VAPEUR
	796722	STEAM KIT MS-613-617 50HZ	KIT CAL.VAPOR MS613-617 50 HZ	KIT CHAUF.VAP.MS-613-617 50HZ
	796730	STEAM KIT MS-613-617 60HZ	KIT CAL.VAPOR MS613-617 60 HZ	KIT CHAUF.VAP.MS-613-617 60HZ
1	109777	COPPER GASKET 1/2"	12504 JUNTA COBRE 1/2"	JOINT CUIVRE 1,2"
2	149518	BICR.WASHER B DIN125-ST 8,4	ARAN.B DIN125-ST B.TRI. 8,4	RONDELLE.B DIN125-ST BICR.8,4
3	405415	COIL 240V 60HZ (FOR 60HZ)	BOBINA 240V.60HZ. (PARA 60 HZ)	BOBINE 240V 60HZ (POUR 60 HZ)
4	159806	COIL 32K7771 220/50 (FOR 50HZ)	BOBINA DANFOSS 32K7771 220/50 (PARA 50 HZ)	BOBINE 32K7771 220/50 (POUR 50 HZ)
5	121962	HEATER INLET LID (FOR MOD. HOT WATER/STEAM)	CIERRE ENTRADA CALEFACTOR (PARA MOD.AGUA CALIENTE/VAPOR)	FERMETURE ENTREE RESISTANCE (POUR MOD.EAU CHAUDE/VAPEUR)
6	343632	VALVE BODY EVSIS15NPT032U3072 (FOR 60HZ)	CUERPO VAL.EVSIS15NPT 032U3692 (PARA 60 HZ)	CORPS VANNE EVSIS15NPT032U3072 (POUR 60 HZ)
7	108431	STEAM DISTRIBUTOR	DISTRIBUIDOR VAPOR	DISTRIBUTEUR VAPEUR
8	319558	ELECTROVALVE 032U3005/84 1/2" (FOR 50HZ)	ELECT.032U3005/84 1/2" 220/50 (PARA 50 HZ)	ELECTROVANNE 032U3005/84 1/2" (POUR 50 HZ)
9	129999	FIG 531 1/2" GALV	FIGURA 531 DE 1/2" GALV.	FIG 531 1/2" GALV
10	133728	THREADED FILTER 1/2" O'3 PN16	FILTRO COLAD. ROSC.1/2"0'3PN16	FILTRE FILETE 1/2" 0,3 PN16
11	341917	STEAM ELEC.INST.	INST. ELEC. VAPOR	INST.ELEC.VAPEUR
12	318063	SPARE KIT EVSIS 15 032U3172	KIT REPUES.EVSIS 15 032U3172	KIT RECHANGE EVSIS 15 032U3172
13	431825	DOUBLE MALE SLEEVE 1/2" (FOR 60HZ)	MANGUITO DOBLE MACHO 1/2" (PARA 60 HZ)	MANCHON DOUBLE MALE 1/2" (POUR 60 HZ)
14	431809	MALE-FEMALE SLEEVE (FOR 60HZ)	MANGUITO MACHO-HEMBRA (PARA 60 HZ)	MANCHON MALE-FEMELLE (POUR 60 HZ)
15	183525	MALE-FEMALE SLEEVE 1/2" (FOR 50HZ)	MANGUITO MACHO-HEMBRA1/2"LATON (PARA 50 HZ)	FRETTE MALE-FEMELLE 1/2" (POUR 50 HZ)
16	433177	STEAM INLET BRACKET	SOPORTE ENTRADA VAPOR	SUPPORT ENTREE VAPEUR
17	146399	BICR HEX SCREW DIN933-8 M8X20	TOR.EX.DIN933-8.8 B.TRI.M 8X20	VIS HEX DIN933-8.8 BICR.M8X20
18	156216	JOINTING SCREW 10903 1/2"	10903 TORNILLO UNION MM1/2"	VIS UNION 10903 1/2"
19	344705	STEAM INLET JOINTING	UNION ENTRADA VAPOR	UNION ENTREE VAPEUR