

Girbau, SA

SLI-23 / SLI-34 Parts Manual

Girbau, SA
Carretera Manlleu, KM1
Vic, Barcelona, España 54380
Teléfono: 3493 886 1100 / Facsímil: 34 93 886 0785

e-mail: girbau@girbau.es

Retain This Manual In A Safe Place For Future Reference

This product embodies advanced concepts in engineering, design, and safety. If this product is properly maintained, it will provide many years of safe, efficient, and trouble free operation.

ONLY properly licensed technicians should service this equipment.

OBSERVE ALL SAFETY PRECAUTIONS displayed on the equipment or specified in the installation manual included with the dryer.

FOR YOUR SAFETY

Do not store or use gasoline or other flammable vapors and liquids in the vicinity of this or any other appliance.

POUR VOTRE SÉCURITÉ

Ne pas entreposer ni utiliser d'essence ni d'autres vapeurs ou liquides inflammables à proximité de cet appareil ou de tout autre appareil.

We have tried to make this manual as complete as possible and hope you will find it useful. Manufacturer reserves the right to make changes from time to time, without notice or obligation, in prices, specifications, colors, and material, and to change or discontinue models.

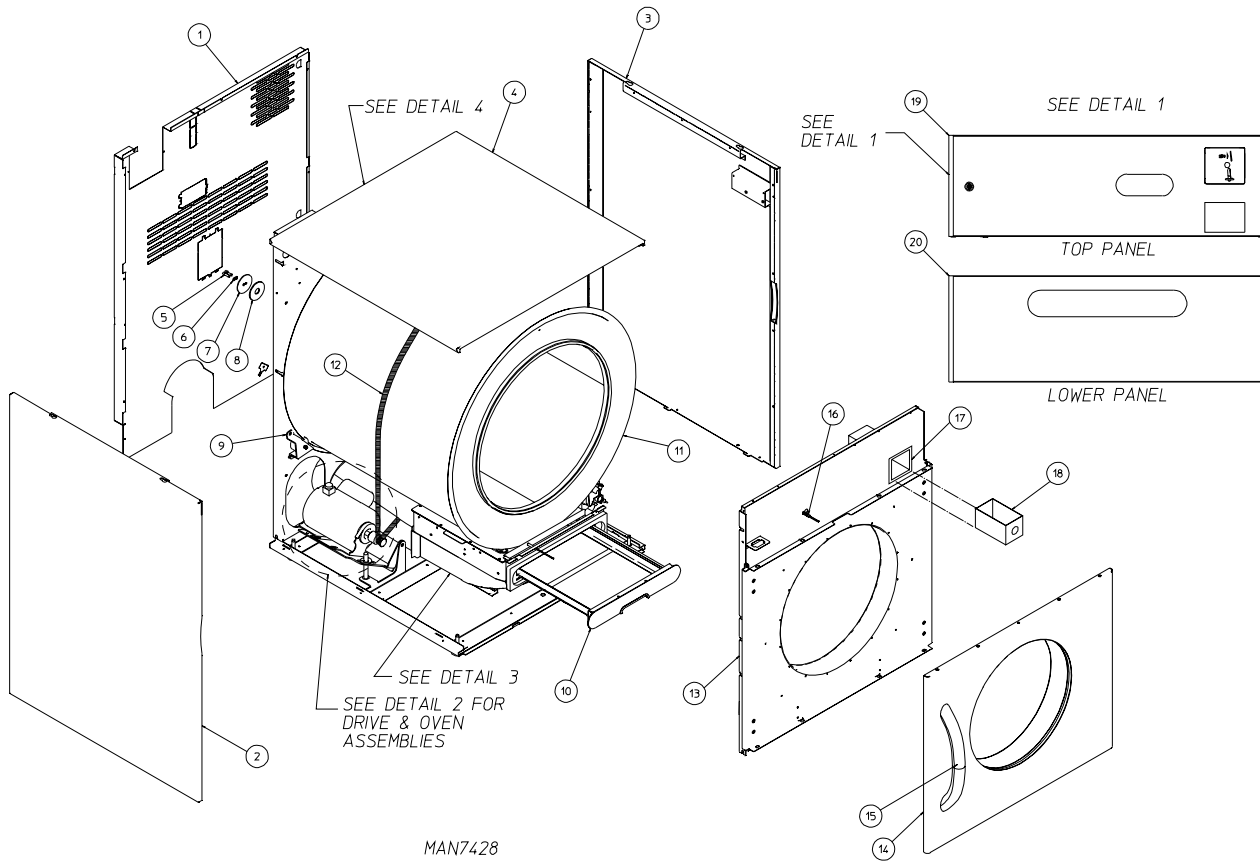
Important

For your convenience, log the following information:

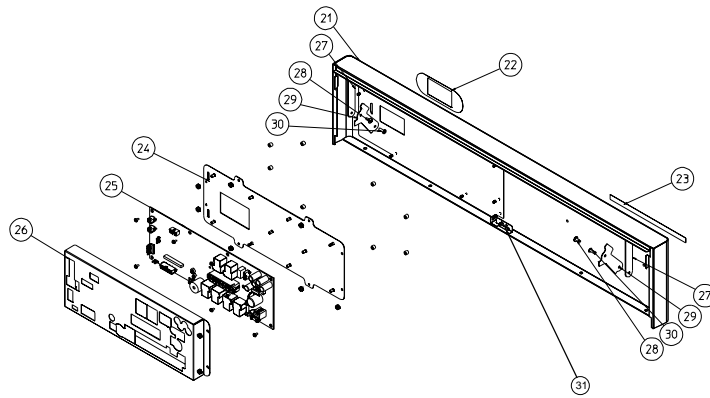
DATE OF PURCHASE _____ MODEL NO. **SLI-23 & SLI-34** _____

DEALER'S NAME _____

Serial Number(s) _____



MAN7428



SEE DETAIL 1

Parts List

<u>Illus.</u> No.	<u>P/N</u>	<u>Qty.</u>	<u>Description</u>
1	851399	1	SLI-23 & 34 Back guard Assy for Gas & Electric
2	851253	1	SLI-23 Left Side Panel Assy
	851345	1	SLI-34 Left Side Panel Assy
3	851255	1	SLI-23 Right Side Panel Assy
	851343	1	SLI-34 Right Side Panel Assy
4	851268	1	SLI-23 Top Panel Assy
	851367	1	SLI-34 Top Panel Assy
5	150445	2	1/4-20 x 3/4 Socket Cap Screws
6	153072	2	1/4 High Collar Lock Washer
7	318891	1	Dual Screw Backup Washer
8	153048	2	Inner Friction Pad
	354217	1	3/4 Plate Spacer (not illustrated)
	350245	1	Extended Tumbler Shaft (not illustrated)
9	851372	2	Rear Wheel Tumbler Support Assy Complete
	180051	1	Replacement Wheel Only
10	819295	1	Large Lint Drawer Assy
11	851347	1	SLI-23 Stainless Steel Tumbler
	851370	1	SLI-34 Stainless Steel Tumbler
12	102410	1	SLI-23 & SLI-34 Drive Belt
13	851525	1	Front Tumbler Support Panel (assy complete)
	851371	2	Front Wheel Tumbler Support (assy complete)
	180051	1	Replacement Wheel Only
14	851274	1	Main Door Assy Complete w/ Handle
	103067	3	Door Hinge (not illustrated)
15	170233	1	Main Door Handle
16	818370	1	Rotation Sensor
17	851384	1	Coin Vault
	122002	1	Coin Vault Switch (not illustrated)
18	125916	1	Coin Box with 2/Keys (note: each lock keyed different)

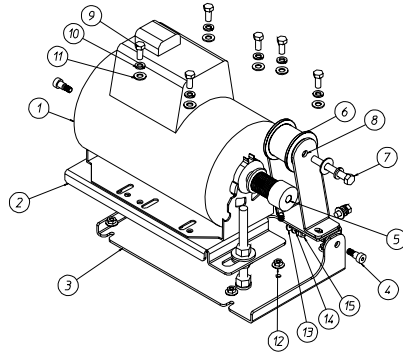
Detail # 1

<u>Illus.</u> No.	<u>P/N</u>	<u>Qty.</u>	<u>Description</u>
19	851522	1	Phase 8 Coin Control Panel (assy complete)
	851518	1	Phase 8 OPL Control Panel (assy complete)
	818213	1	Coin Acceptor Assy w/ Optic Switch
	125805	1	Coin Acceptor Only (25¢ Coin)
	819264	1	Coin Acceptor Only (Programmable Euro/UK acceptor)
	887041	1	Optic Switch Only
	160066	1	Offset Cam for Lock
	154004	1	Twin Speed Nut
	160069	1	Lock (ZB7)
	160169	2	Key (ZB7)
20	185121	1	Lower Panel
21	851521	1	Phase 8 Coin Control Panel (panel only)
	851517	1	Phase 8 OPL Control Panel (panel only)
22	112586	1	Phase 8 OPL Keypad
	112587	1	Phase 8 Coin Keypad
23	117516	1	Logo Tape
24	819508	1	Control Mount Assy
25	137279	1	Phase 8 Microprocessor
26	350250	1	Computer Board Cover
27	350203	2	Strain Relief Door Guide Strips
28	350204	2	Strain Relief Cabinet Guide Strips
29	154220	4	Button Head Pop Rivet
30	150313	2	10-16 x 5 Torx Screws
31	819196	1	Main Door Switch Assy
	813411	1	Door Switch Extension Harness (not illustrated)

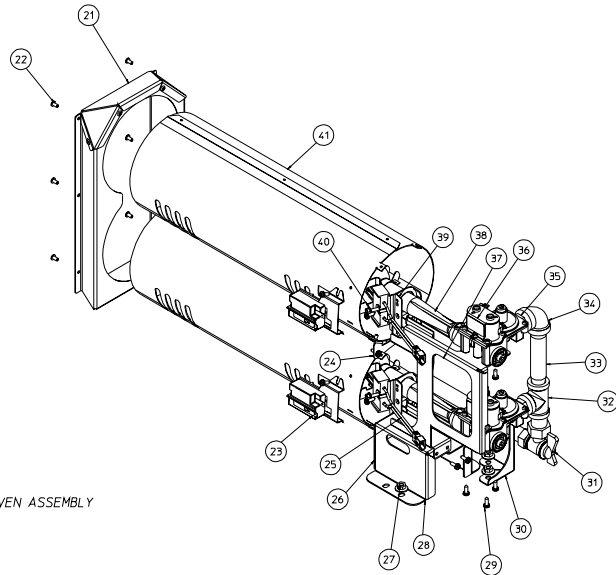
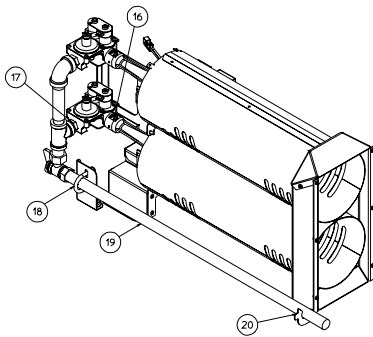
Options

851409	1	SLI-23 11" Dryer Pedestal (not illustrated)
851411	1	SLI-34 11" Dryer Pedestal (not illustrated)

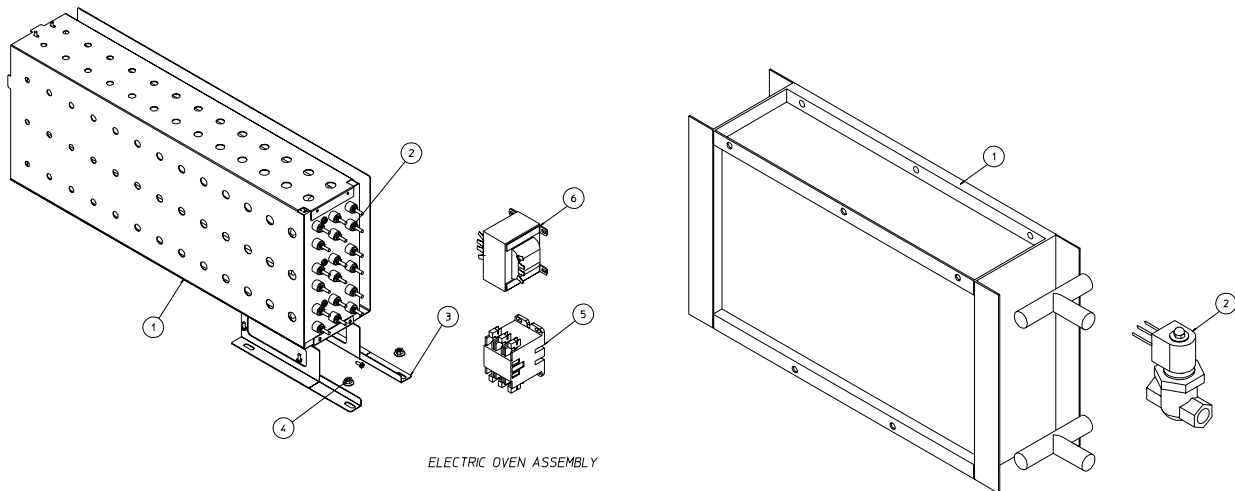
Detail # 2



DRIVE MOTOR ASSEMBLY
MAN7427



GAS OVEN ASSEMBLY



ELECTRIC OVEN ASSEMBLY

Parts List

Detail # 2

Illus.

<u>No.</u>	<u>P/N</u>	<u>Qty.</u>	<u>Description</u>
Drive Motors			
1	851442	1	SLI-23 & SLI-34 60hz Motor Assy with Mount
	181127	1	SLI-23 & SLI-34 60hz Motor only
	851443	1	SLI-23 & SLI-34 50hz Motor Assy with Mount
	181126	1	SLI-23 & SLI-34 50hz Motor only
2	851285	1	Motor Mount Clinch Nut Assy
3	851284	1	Motor Mount Base Assy
4	154266	2	5/16-18 Shoulder Bolt
5	884300	1	SLI-23 60hz Motor Sheave only
	884303	1	SLI-34 60hz Motor Sheave only
	884301	1	SLI-23 50hz Motor Sheave
	884302	1	SLI-34 50hz Motor Sheave
	170733	1	Loctite (not illustrated)
6	100281	1	Idler Wheel
7	150634	1	3/8 x 2 3/4 Hex Cap Screw
8	851510	1	Idler Arm
9	150501	7	5/16-18 x 3/4 Hex Head Bolt
10	153002	9	Split Lock Washer
11	153001	7	Flat Washer
12	152014	5	Free Spin Wash nut
13	153018	2	1/4 Flat Washer
14	153002	9	5/16 Split Lock Washer
15	152004	2	5/16-18 Hex Nut
Oven Assemblies			
Gas			
Ovens	851386	1	SLI-23 60hz Natural Gas Dual Burner Assy
	851389	1	SLI-23 50hz Natural Gas Dual Burner Assy
	851390	1	SLI-34 60hz Natural Gas Dual Burner Assy
	851391	1	SLI-34 60hz Natural Gas Dual Burner Assy
16*	140877	2	SLI-23 #29 Orifice
*	140880	2	SLI-34 #22 Orifice
LP*	884248	1	SLI-23 LP Conversion Kit
LP*	884249	1	SLI-34 LP Conversion Kit
17	183137	2	3/8 Close Nipple Black Iron
18	154355	1	U-Bolt with Bolts for 1/2 Black Pipe
19	143344	1	SLI-23 1/2 x 26" Black Pipe - Only
	142636	1	SLI-34 1/2 x 36" Black Pipe - Only

*** Note: Consult factory for elevation over 2,000ft for correct burner orifice size**

Illus.

<u>No.</u>	<u>P/N</u>	<u>Qty.</u>	<u>Description</u>
20	350226	1	Rear Gas Pipe Support
21	851387	1	Burner Funnel Transition Assy
22	154200	14	5/32 Pop Rivets
23	130500	2	Radiant Heat Sensor
24	350217	1	Burner Funnel Top Lip Bracket
25	128910	2	Hot Surface Ignitor 80v
26	350218	1	Burner Funnel Support Bracket
27	152014	4	1/4-20 Free Spin Nut
28	350221	1	Dual Round Gas Burner Support Bracket
29	150331	19	8-18 x 1/2 Pan Head Torx Screw
30	350253	1	Front Gas Pipe Bracket
31	881367	1	Gas Shut-off Assembly
32	142820	1	1/2 x 1/2 x 1/2 Black Iron Tee
33	142703	1	1/2 x 4" Black Iron Pipe
34	142500	1	1/2 - 90 Degree Elbow
35	142953	2	3/8 x 1/2 Steel Bushing
36	128944	2	25M Gas Valve 120vac 60Hz
	128907	1	25M Gas Valve 120vac 50Hz
37	350220	1	Dual Gas Valve Bracket
38	183144	2	In-shot Tube
39	185063	2	Igniter Bracket
40	183145	2	Hot Surface Ignitor Mounting Screw
41	350219	2	SLI-23 Round Gas Burner Funnel
	350223	2	SLI-34 Round Gas Burner Funnel

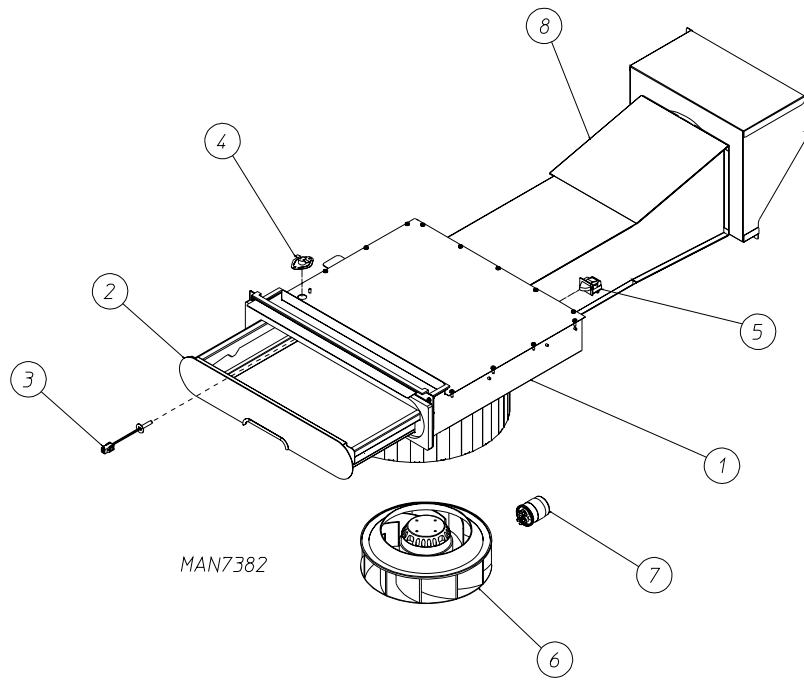
Electric Ovens

1	851395	1	SLI-23 Electric Oven Assy, 200-415v
	851396	1	SLI-34 Electric Oven Assy, 200-415v
2	119996	1	SLI-23 16Kw Element
	119997	1	SLI-34 22Kw Element
3	350230	1	Electric Oven Housing
4	152014	2	Free Spin Washnut
5	131322	1	208/240v 30A Contactor 50/60 Hz
	121223	1	120v 40A Contactor 50/60 Hz
	131324	1	208/240v 30A Contactor 50/60 Hz
	131325	1	120v 50A Contactor 50/60Hz
	131329	1	120v 75A Contactor 50/60Hz
	131330	1	208/240v 75A Contactor 50/60Hz
6	132029	1	Auto Transformer

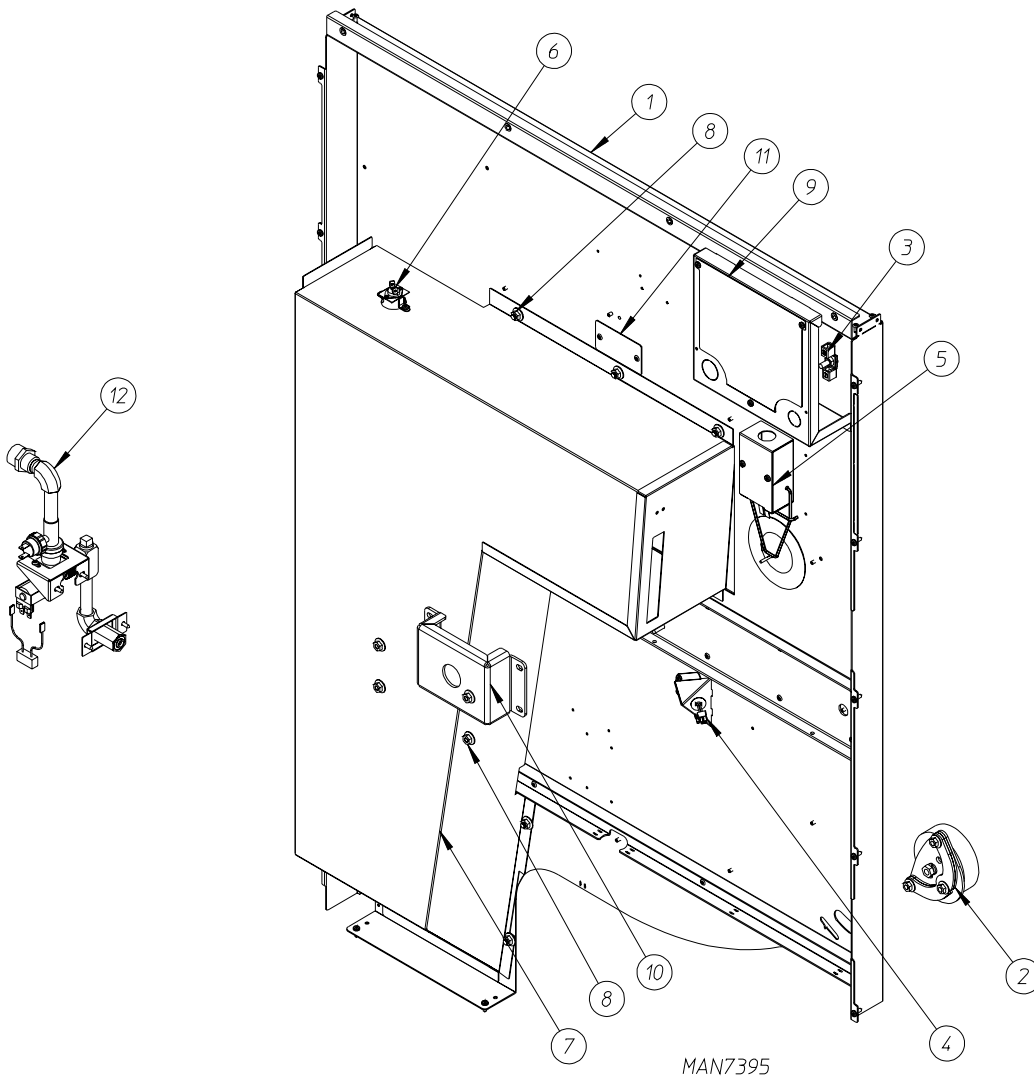
Steam Coil

1	165067	1	Copper Steam Coil
2	813416	1	Steam Solenoid Phase 8 Assy, 220-240v
	813451	1	Steam Solenoid Phase 8 Assy, 120v

Detail 3



Detail 4



Parts List

Detail # 3

Illus.

No. P/N Qty. Description

Lint & Blower Assembly

1	819299	1	Large Lint Box Assy (includes illus. 3 through 5 only)
2	819295	1	Large CRS Lint Draw Assy
3	818369	1	Exhaust Temperature Probe Assy
4	130119	1	190 degree Exhaust Hi-Limit Sensor
5	122002	1	Lint Door Switch
6	851242	1	115v Impellor & Capacitor Assy
	100645	1	115v Impellor only
	813406	Ref	Phase 8 Blower Motor Harness 115v only (request when ordering impellor)
6	851243	1	230v Impellor & Capacitor Assy
	100646	1	230v Impellor only
	813406	Ref	Phase 8 Blower Motor Harness 230v only (request when ordering impellor)
	150687	4	Impellor mounting screws (not illustrated)
	153007	4	Lock washers, for impellor mounting screws (not illustrated)
7	100618	1	Capacitor for 115v blower impellor
	100670	1	Capacitor for 230v blower impellor
8	851292	1	SLI-23 Blower Housing Final Assy
	851365	1	SLI-34 Blower Housing Final Assy

Detail # 4

Illus.

No. P/N Qty. Description

Rear Tumbler Support Panel Assembly

1	851263	1	Rear Tumbler Support Assy
	851401	1	Steam Rear Tumbler Support Assy with steam coil
2	851372	2	3 ½ inch Rear Wheel Assy
	180051	1	3 ½ inch Wheel Only
3	121010	2	Terminal Lug
4	851258	1	Axial Probe Assy
5	818692	1	Switch Assy Complete
	122200	2	Sail Switch Only
6	183112	1	205 Degree Hi-Limit Sensor
7	851262	1	Heat Duct
8	152014	13	¼ - 20 Free Spin Nut
9	350237	1	Rear Electric Box
	350238	1	Rear Electric Box Cover
10	350228	1	Thrust Bearing Box
11	318691	1	Cover Plate for "No Safe Coin Dryers"
12	851514	1	Safe Deltrol Valve Assy "OPL Dryers Only"

