

GIRBAU, S.A.

STI-54 / STI-77 Parts Manual Phase 7

Girbau, S.A.
Carretera Manlleu, KM 1
Vic, Barcelona, 54380
Spain

Retain This Manual In A Safe Place For Future Reference

This product embodies advanced concepts in engineering, design, and safety. If this product is properly maintained, it will provide many years of safe, efficient, and trouble-free operation.

ONLY qualified licensed technicians should service this equipment.

OBSERVE ALL SAFETY PRECAUTIONS displayed on the equipment or specified in the installation manual included with the dryer.

The following “FOR YOUR SAFETY” caution must be posted near the dryer in a prominent location.

FOR YOUR SAFETY

Do not store or use gasoline or other flammable vapors and liquids in the vicinity of this or any other appliance.

POUR VOTRE SÉCURITÉ

Ne pas entreposer ni utiliser d'essence ni d'autres vapeurs ou liquides inflammables à proximité de cet appareil ou de tout autre appareil.

We have tried to make this manual as complete as possible and hope you will find it useful. The manufacturer reserves the right to make changes from time to time, without notice or obligation, in prices, specifications, colors, and material, and to change or discontinue models.

Important

For your convenience, log the following information:

DATE OF PURCHASE _____ MODEL NO. _____

DISTRIBUTOR'S NAME _____

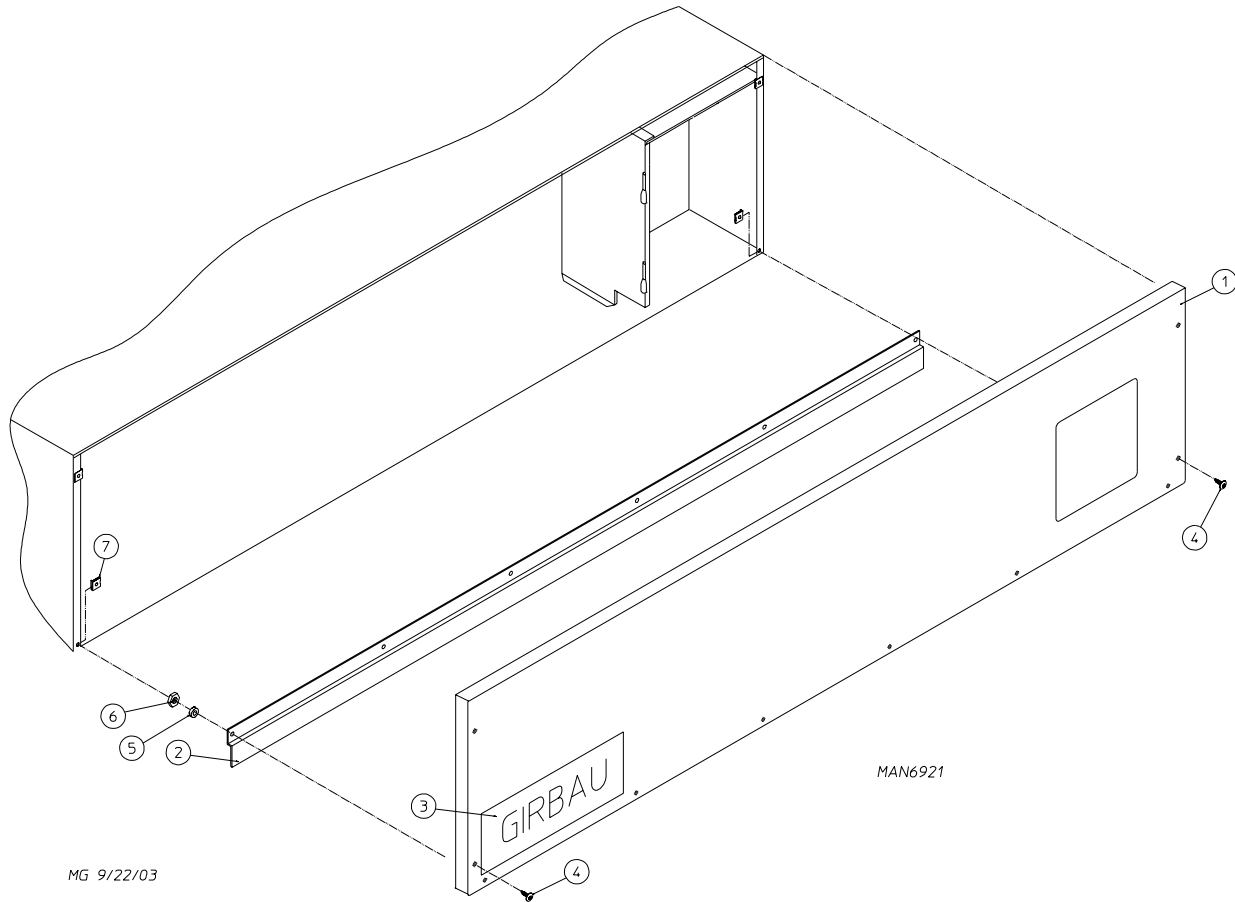
Serial Number(s) _____

Table of Contents

STI-54 Control Door Assembly	6
STI-77 Control Door Assembly	7
STI-54 Microprocessor Control Panel Assembly	8
STI-77 Phase 7 Microprocessor Control Panel Assembly	9
STI-54 Front Panel / Main Door Assemblies For 50 Hz Models Mfd. before April 2, 2005	10
STI-54 Front Panel / Main Door Assemblies For 60 Hz Models Mfd. before April 2, 2005	11
STI-54 Main Door Assembly For Models Mfd. between April 2, 2005 and September 10, 2005	12
STI-54 Main Door Assembly For Models Mfd. prior to April 2, 2005	13
STI-54 Front Panel Assembly For Models Mfd. prior to September 10, 2005	14
STI-54 / STI-77 Main Door For Models Mfd. as of September 10, 2005	15
STI-54 Front Panel For Models Mfd. as of September 10, 2005	16
STI-54 / STI-77 Main Door Switch	17
STI-77 Front Panel / Main Door Assemblies For Models Mfd. prior to September 10, 2005	18
STI-77 Front Panel For Models Mfd. as of September 10, 2005	19
STI-54 Tumbler / Support Assemblies	20
STI-77 Tumbler / Support Assemblies	21
STI-54 Lint Door Assembly	22
STI-77 Lint Door Assembly	23
STI-54 Lint Drawer / Lint Drawer Switch Box Assemblies	24
STI-77 Lint Drawer / Lint Drawer Switch Box Assemblies	25
STI-54 Temperature Sensor Bracket Assembly	26
STI-77 Microprocessor Temperature Sensor Bracket Assembly	27
STI-54 Idler Bearing Mount Assembly	28
STI-77 Idler Bearing Mount Assembly	29
STI-54 Tumbler Bearing Mount Assembly	30
STI-77 Tumbler Bearing Mount Assembly	31
STI-54 Reversing T.E.F.C. Tumbler Motor Mount Assembly	32
STI-77 Totally Enclosed, Fan-Cooled Tumbler Motor Mount Assembly	33
STI-54 Direct Blower Drive Motor Assembly	34
STI-77 Blower Motor Mount Assembly	35

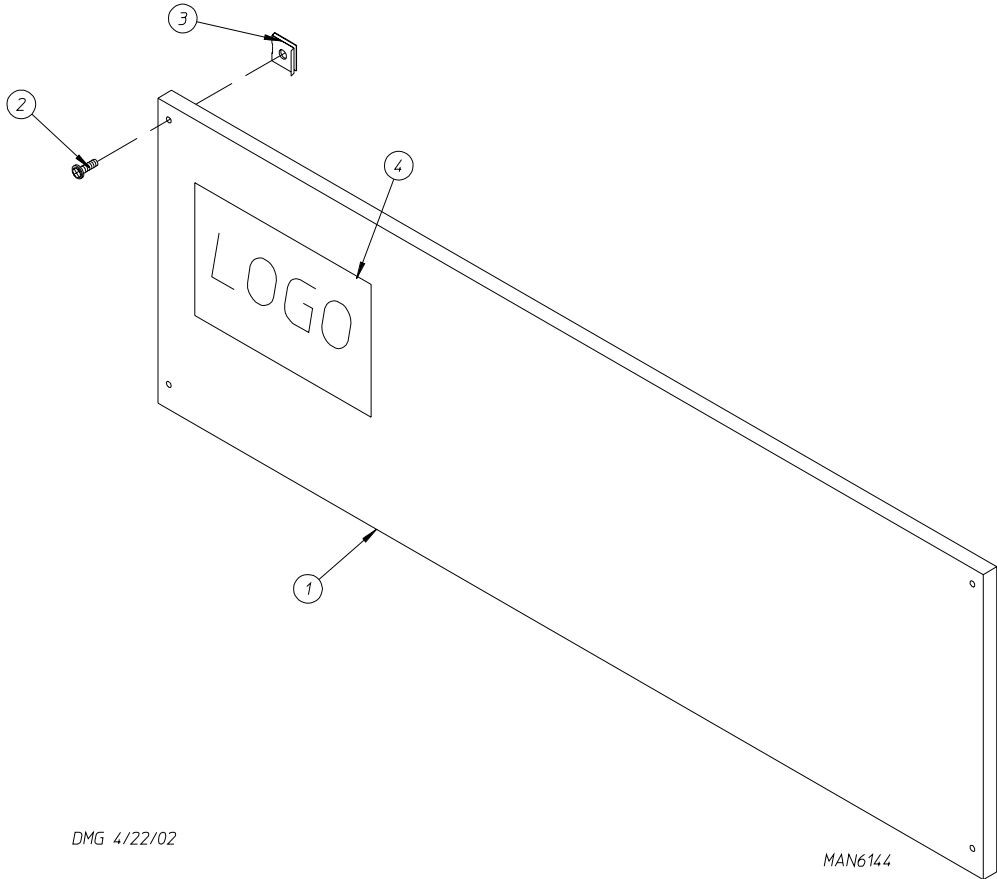
STI-77 Fan Shaft Mount Assembly For Gas Models Only	36
STI-77 Fan Shaft Mount Assembly For Steam Models Only	37
STI-54 Direct Spark Ignition Gas Burner Assembly	38
STI-77 Direct Spark Ignition Burner Assembly	40
STI-54 Electric Oven Assembly	42
STI-54 / STI-77 Sail Switch Assembly	44
STI-54 Electric Oven Relay Box Assembly For 208-240V (3 ϕ) 50/60 Hz Models Only	45
STI-54 Electric Oven Relay Box Assembly For 380-416/480V (3 ϕ) 50/60 Hz Models Only	46
STI-54 Steam Damper Assembly	47
STI-77 Steam Damper Assembly	48
STI-54 Reversing Relay Panel Assembly For 208-240V Gas and Steam Models Only	49
STI-54 Reversing Relay Panel Assembly For 380/400V Gas and Steam Models Only	50
STI-54 Reversing Relay Panel Assembly For 460/480V Gas and Steam Models Only	51
STI-54 Reversing Relay Panel Assembly For Electric Models Only	52
STI-77 Microprocessor Reversing Contactor Mounting Panel Assembly For 208-240V Transformers ...	53
STI-77 Microprocessor Reversing Contactor Mounting Panel Assembly For 380-416V Transformers ...	54
STI-77 Microprocessor Reversing Contactor Mounting Panel Assembly For 460-480V Transformers ...	55
STI-77 Top Console Assembly	56
STI-77 Air Jet Assembly	57
STI-77 Pneumatic Valve Assembly For Gas Models Only	58
STI-77 Pneumatic Valve Assembly For Steam Models Only	59
STI-54 Electric Oven Component Application Charts	60
STI-54 Electric Oven Power Distribution 60 kW – 480V (3 ϕ) 50/60 Hz	61
STI-54 Electric Oven Power Distribution 72 kW – 208-240V (3 ϕ) 50/60 Hz	62
STI-54 Electric Oven Power Distribution 72 kW – 380-400/480V (3 ϕ) 50/60 Hz	63
STI-54 Electric Oven Wiring 72/80 kW – 208-240V (3 ϕ) 50/60 Hz	64
STI-54 Electric Oven Wiring 60/72 kW – 380-480V (3 ϕ) 50/60 Hz	65
STI-54 / STI-77 F.S.S. Temperature Probe Assembly	66
STI-54 / STI-77 F.S.S. Solenoid Assembly For Models Mfd. as of December 3, 2003	67
STI-54 / STI-77 F.S.S. Solenoid Assembly For Models Mfd. prior to December 3, 2003	68
STI-54 Back Guard Assemblies	69
STI-77 Back Guard Assemblies	70

STI-54 Control Door Assembly



Illus. No.	Part No.	Qty.	Description
1	328360	1	Control Door
2	345883	1	Control Door Trim
3	112371	1	Girbau Logo Plate
4	150217	6	#10-32 x 3/4" Phillips Pan Head Machine Screw
5	153024	6	#10 Split Lock Washer
6	152008	6	#10-32 Hex Nut
7	154011	4	#10-32 Multi-Thread U-Nut
	884020	1	White Control Door Assembly (includes illus. nos. 1, 2, 5, and 6)

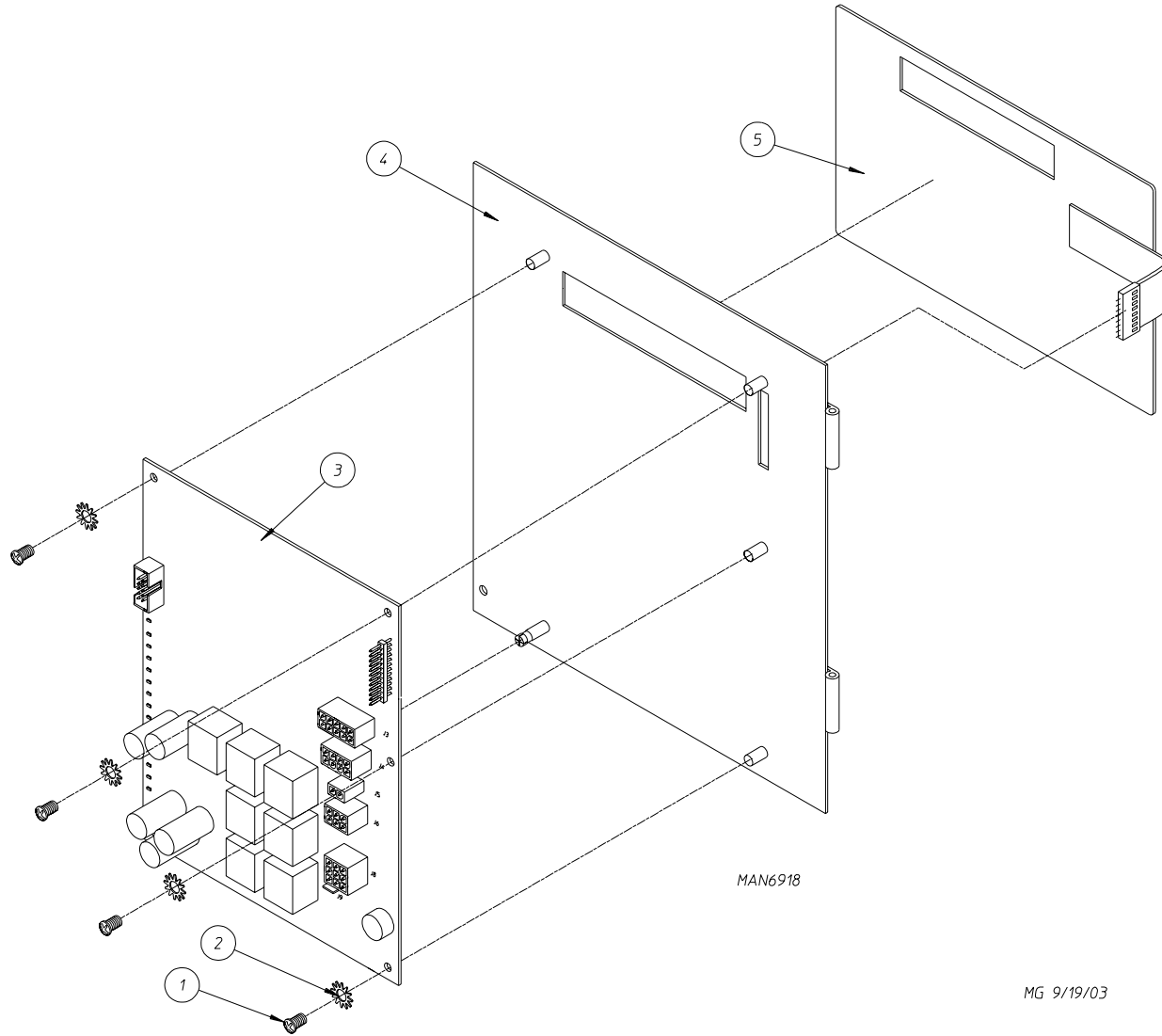
STI-77 Control Door Assembly



<u>Illus. No.</u>	<u>Part No.</u>	<u>Qty.</u>	<u>Description</u>
1	334370*	1	Control Door (for gas models Only)
	328346	1	Short Control Door (for steam models Only)
2	154011	4	#10-32 Multi-Thread U-Nut
3	150321	4	#10-32 x 1/2" Phillips Head Machine Screw
4	112371	—	Girbau Logo Plate

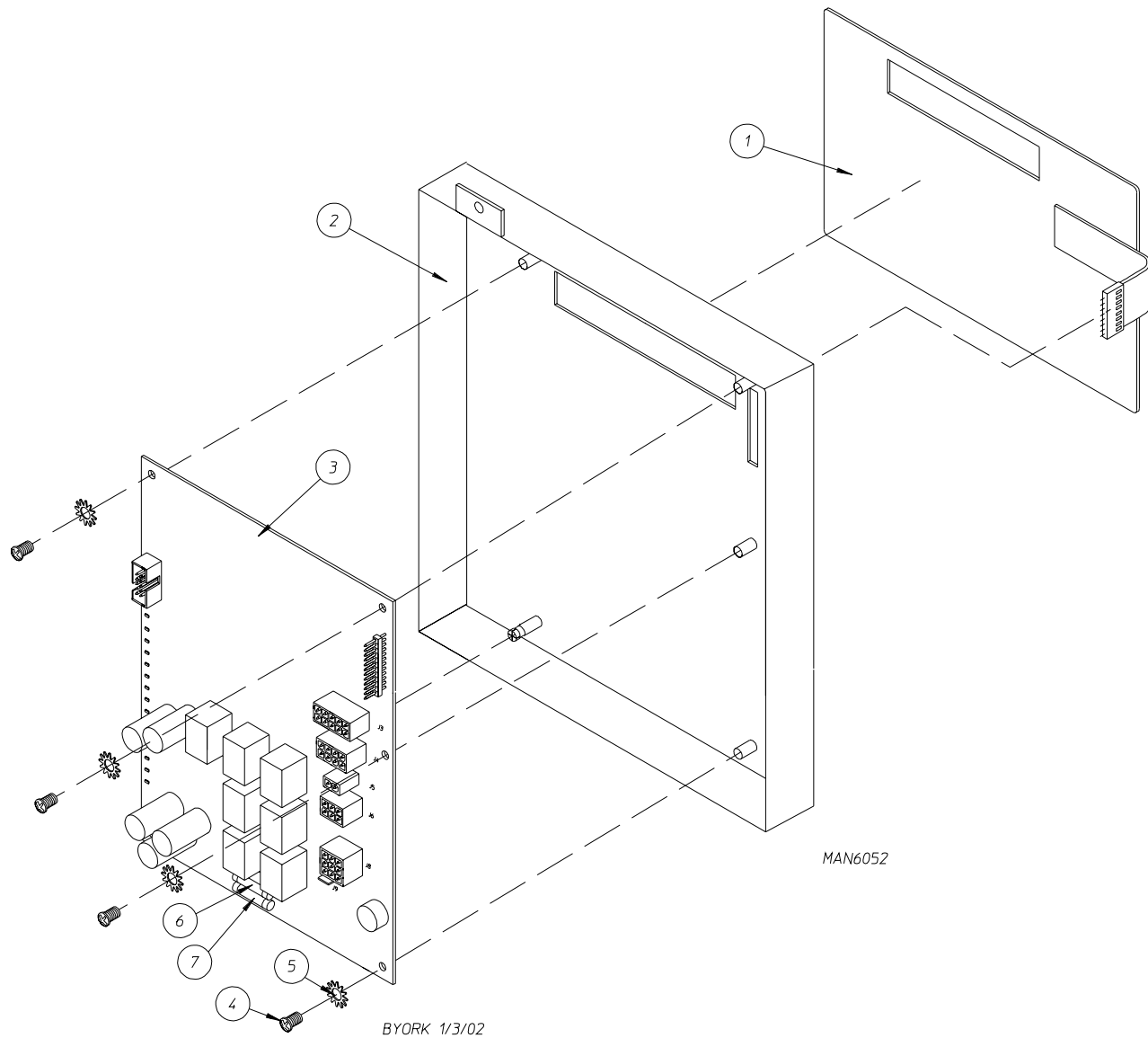
* Specify color when ordering.

STI-54 Microprocessor Control Panel Assembly



<u>Illus. No.</u>	<u>Part No.</u>	<u>Qty.</u>	<u>Description</u>
1	150005	4	#6-32 x 3/4" Phillips Round Head Machine Screw
2	153010	4	#6 Star Washer
3	887004	1	Phase 7 Computer Board
4	850979	1	Phase 7 Micro Non-Coin Panel
5	112577	1	Phase 7 Non-Coin Keypad

STI-77 Phase 7 Microprocessor Control Panel Assembly

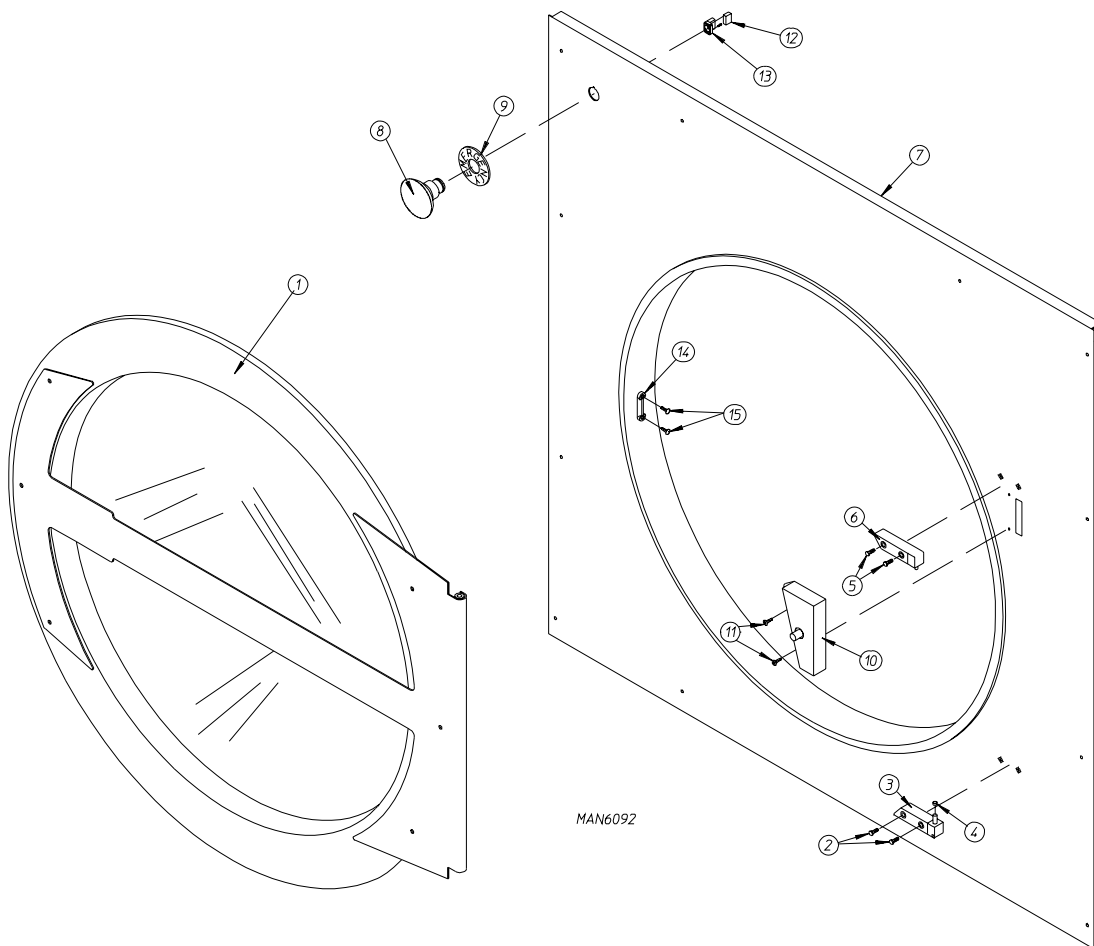


<u>Illus. No.</u>	<u>Part No.</u>	<u>Qty.</u>	<u>Description</u>
1	112577	1	Phase 7.2 Non-Coin and Label Keypad
2	850980	1	Phase 7 Computer Door
3	887004	1	Phase 7 Computer Board
4	150005	4	#6-32 x 1/4" Phillips Round Head Screw
5	153010	4	#6 Star Washer
6	136016	1	5-amp Fuse
7	136097	1	500 mA Fuse

IMPORTANT: Check label on computer chip to verify correct part number.

STI-54 Front Panel / Main Door Assemblies

For 50 Hz Models Mfd. before April 2, 2005

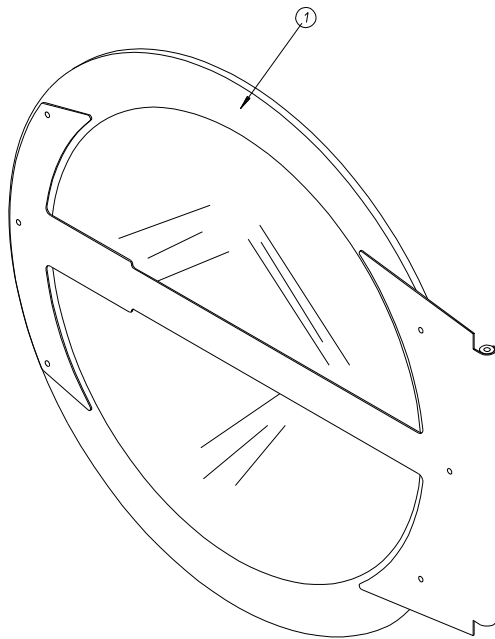


DMG 2/27/02

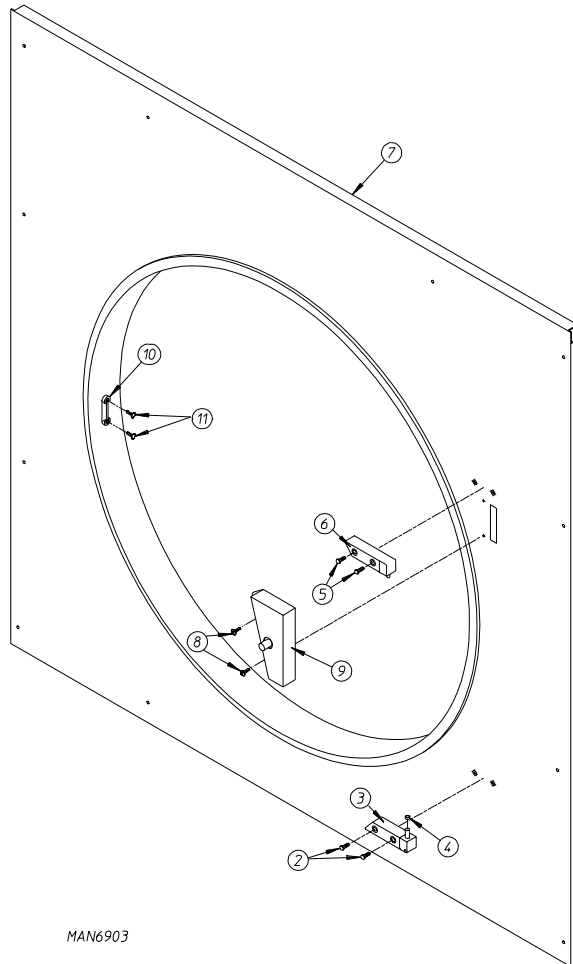
Illus. No.	Part No.	Qty.	Description
1	—	—	Cold Rolled Steel Main Door Assembly (refer to Main Door Assembly on page 13)
2	150443	2	Socket Cap Screw
3	170331	1	Bottom Hinge Block
4	153031	1	Nylon Washer
5	150443	2	Socket Cap Screw
6	170329	1	Top Hinge Block
7	825411	1	Front Panel Assembly for Cold Rolled Steel Door
8	123500	1	Large "EMERGENCY STOP" Mushroom Head Switch
9	123506	1	"EMERGENCY STOP" Nameplate
10	—	1	Main Door Switch and Housing for Round Door (refer to Main Door Switch on page 17)
11	150301	2	#8 x 7/16" Phillips Head TEK Screw
12	123517	1	Normally Closed Contact Block
13	123521	1	Normally Closed Contact Block with Base
14	170330	1	Friction Door Latch
15	154215	2	5/32" x 1/4" Audel Rivet

STI-54 Front Panel / Main Door Assemblies

For 60 Hz Models Mfd. before April 2, 2005



MG 9/17/03

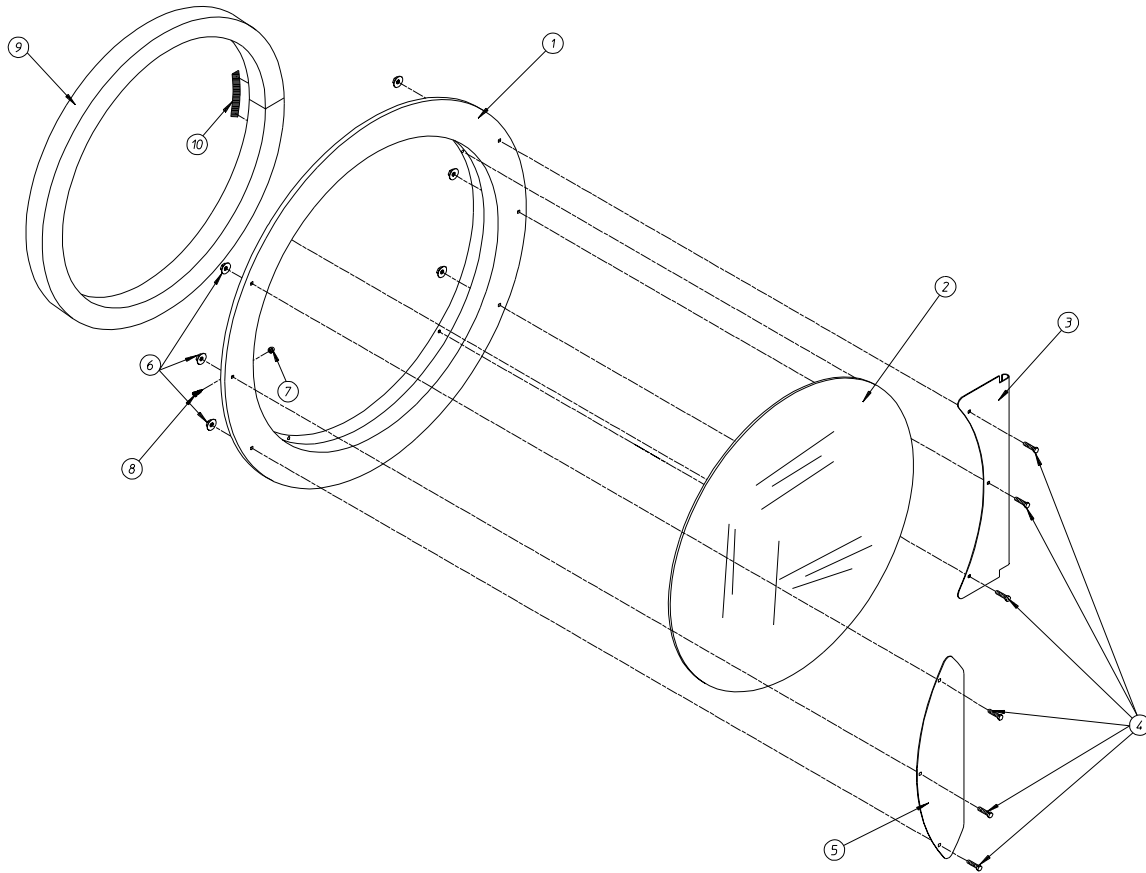


MAN6903

Illus. No.	Part No.	Qty.	Description
1	—	—	Cold Rolled Steel Main Door Assembly (refer to Main Door Assembly on page 13)
2	150443	2	Socket Cap Screw
3	170331	1	Bottom Hinge Block
4	153031	1	Nylon Washer
5	150443	2	Socket Cap Screw
6	170329	1	Top Hinge Block
7	825195	1	Front Panel Assembly for Cold Rolled Steel Door
	884002	1	Front Panel with Friction Latch (includes illus. nos. 7, 10, and 11)
8	150301	2	#8 x 7/16" Phillips Head TEK Screw
9	801786	1	Main Door Switch and Housing
10	170330	1	Friction Door Latch
11	154215	2	5/32" x 1/4" Audel Rivet

STI-54 Main Door Assembly

For Models Mfd. between April 2, 2005 and September 10, 2005

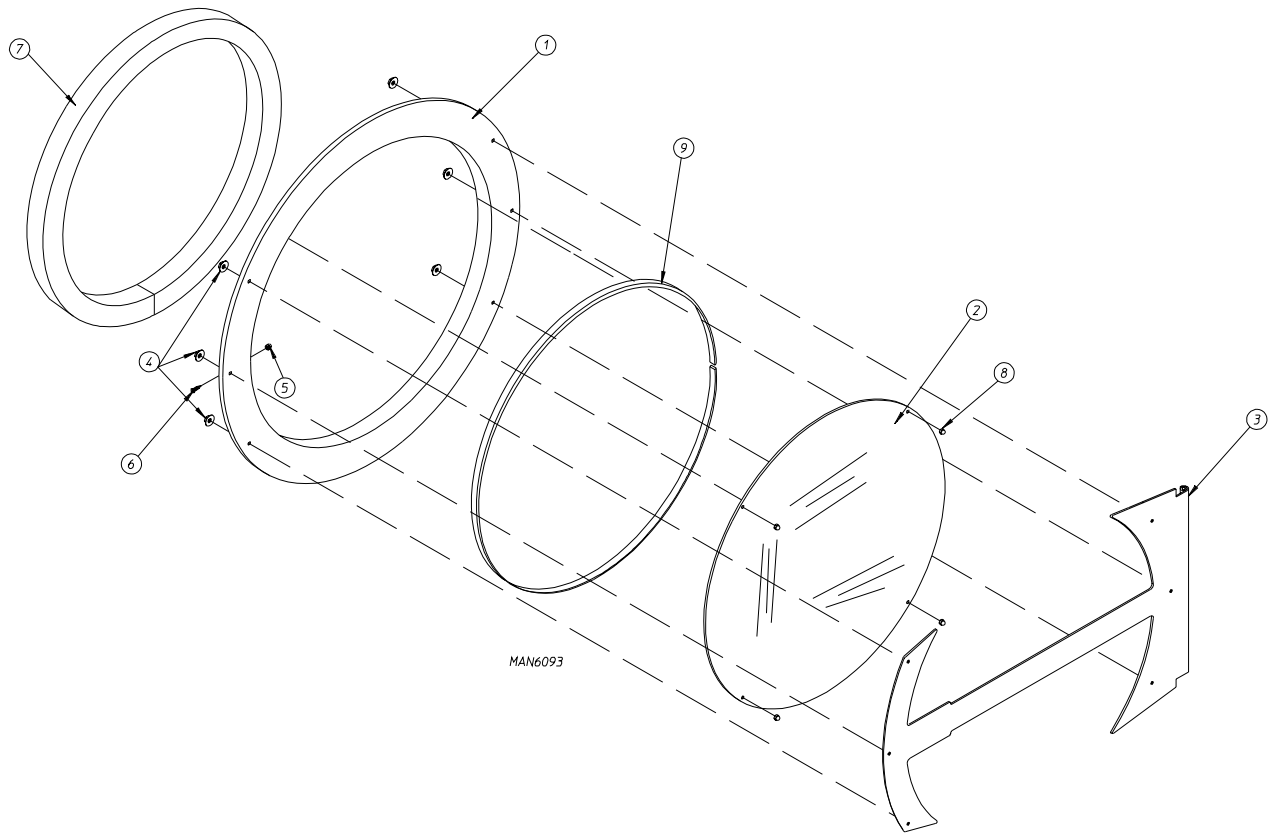


MAN7342

<u>Illus. No.</u>	<u>Part No.</u>	<u>Qty.</u>	<u>Description</u>
1	835057	1	Large Main Door Ring
2	102221	1	30" Door Glass
3	835128	1	Large Main Door Hinge Top
4	150683	6	1/4-20 x 5/8" Black Carriage Bolt
5	314729	1	Large Main Door Handle
6	152014	6	1/4-20 Free Spin Wash Nut
7	151009	1	Stainless Steel Hex Acorn Locknut
8	150120	1	#10-32 x 7/16" Door Latch Screw
9	102357	1	Extruded Steel Door Gasket
10	110006	2'	1/2" Black Strapping Tape (sold by the foot)

STI-54 Main Door Assembly

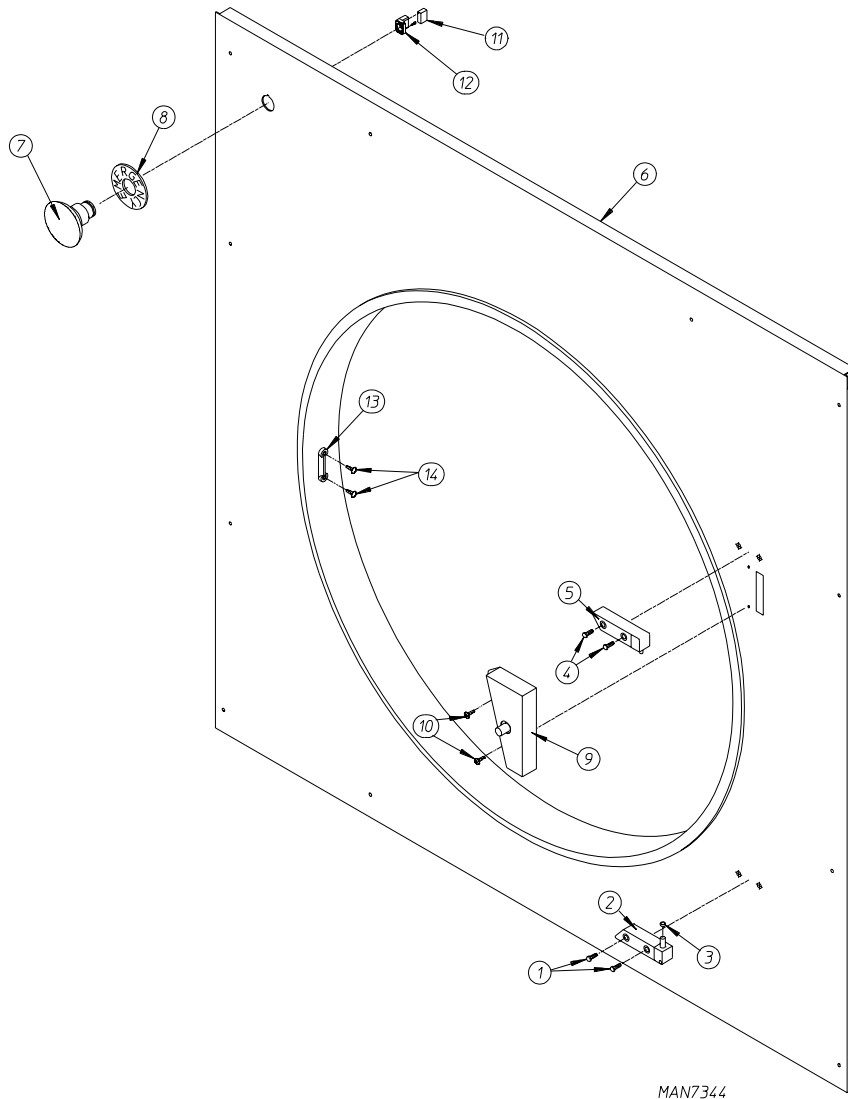
For Models Mfd. prior to April 2, 2005



<u>Illus. No.</u>	<u>Part No.</u>	<u>Qty.</u>	<u>Description</u>
1	883292	1	White Main Door Assembly Complete (includes illus. nos. 1 through 9)
	835057	1	Large Main Door Ring
2	102214	1	30" Door Glass
3	816109	1	Girbau Door Handle
4	152014	6	1/4-20 Free Spin Wash Nut
5	151009	1	Stainless Steel Hex Acorn Locknut
6	150120	1	#10-32 x 7/16" Door Latch Screw
7	102357	1	Extruded Steel Door Gasket
8	151012	4	#10-32 White Nylon Acorn Nut
9	102362	8'	White Gasket Tape

STI-54 Front Panel Assembly

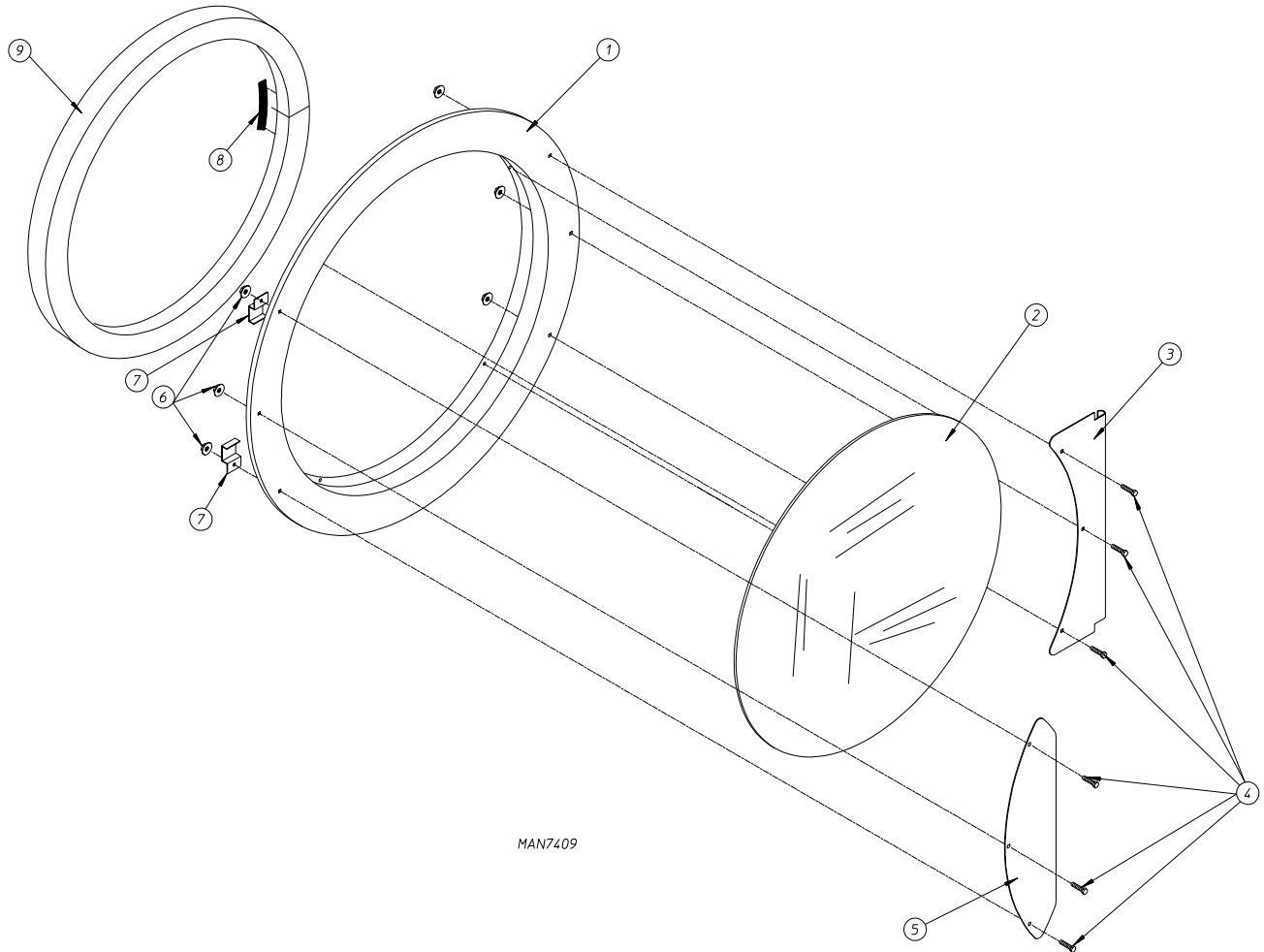
For Models Mfd. prior to September 10, 2005



<u>Illus. No.</u>	<u>Part No.</u>	<u>Qty.</u>	<u>Description</u>
1	150443	2	Socket Cap Screw
2	170331	1	Bottom Hinge Block
3	153031	1	Nylon Washer
4	150443	2	Socket Cap Screw
5	170329	1	Top Hinge Block
6	825411	1	Front Panel Assembly for Cold Rolled Steel Door
7	123500	1	Large "EMERGENCY STOP" Mushroom Head Switch (for 50 Hz models)
8	123506	1	"EMERGENCY STOP" Nameplate (for 50 Hz models)
9	881702	1	Main Door Switch and Housing for Round Door (refer to Main Door Switch on page 17)
10	150301	2	#8 x 7/16" Phillips Head TEK Screw
11	123517	1	Normally Closed Contact Block (for 50 Hz models)
12	123521	1	Normally Closed Contact Block with Base (for 50 Hz models)
13	170330	1	Friction Door Latch
14	154215	2	5/32" x 1/4" Audel Rivet

STI-54 / STI-77 Main Door

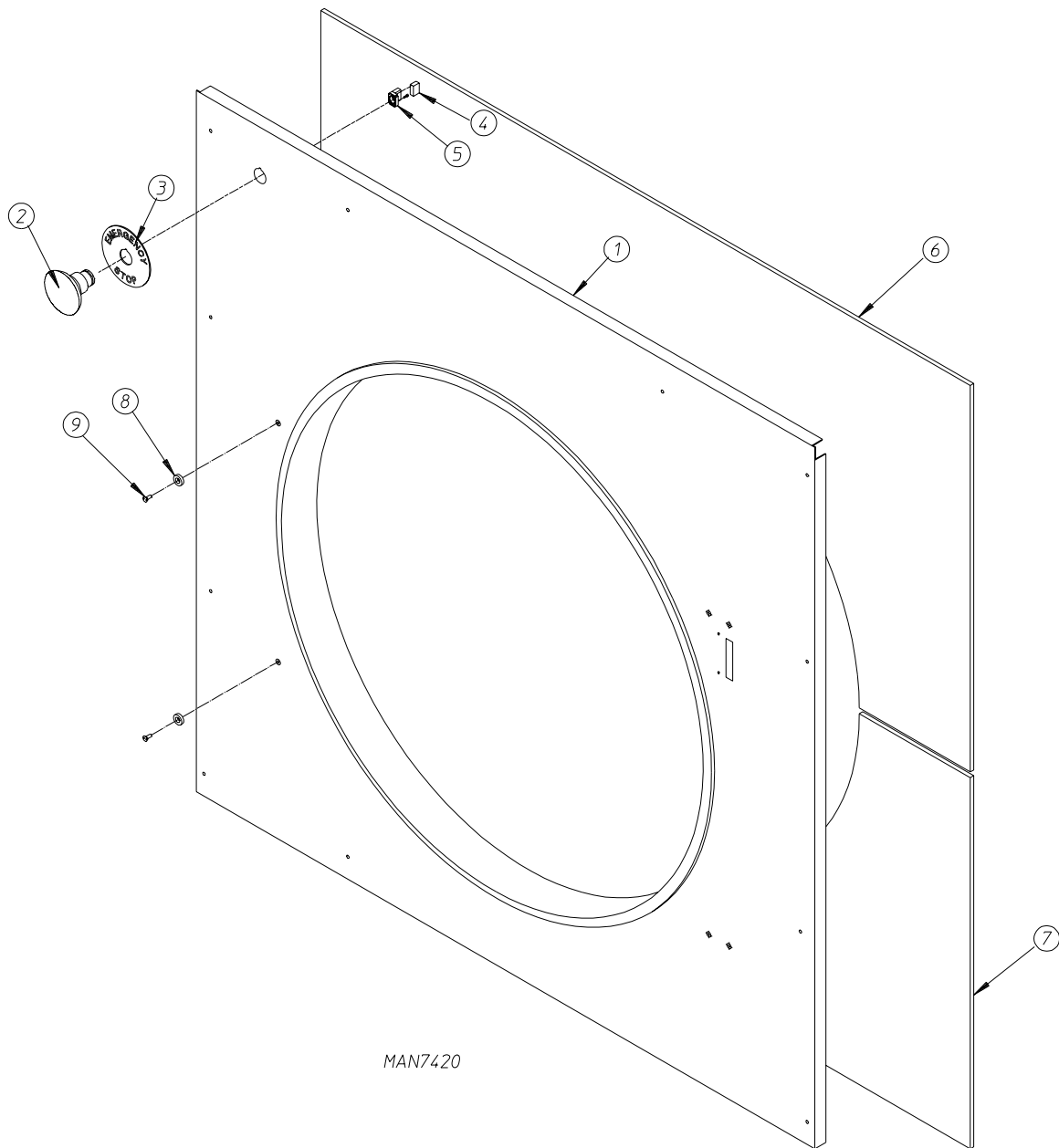
For Models Mfd. as of September 10, 2005



Illus. No.	Part No.	Qty.	Description
1	170306	1	37-1/4" Round Main Door Ring
2	102221	1	30" Door Glass
3	835128	1	Large Main Door Hinge Top
4	150683	6	1/4-20 x 5/8" Black Carriage Bolt
5	314729	1	Large Main Door Handle
6	152014	6	1/4-20 Free Spin Wash Nut
7	314007	2	37-1/4" Main Door Magnet Bracket
8	110006	2	1/2" Black Strapping Tape
9	102357	1	Extruded Steel Door Gasket

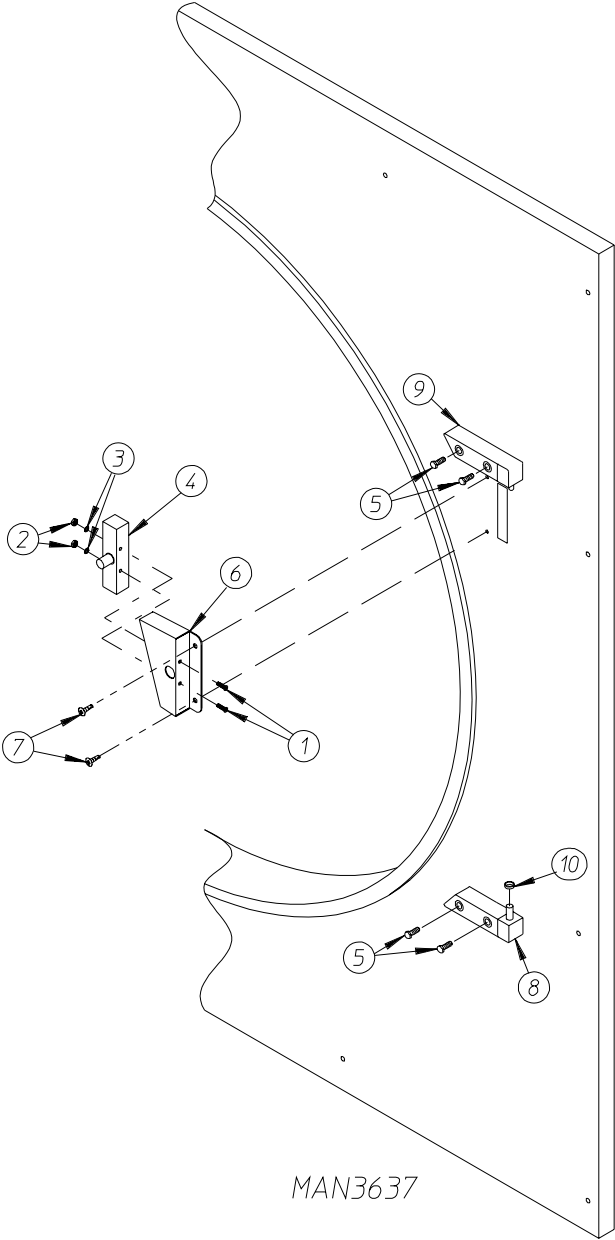
STI-54 Front Panel

For Models Mfd. as of September 10, 2005



Illus. No.	Part No.	Qty.	Description
1	801626	1	Front Panel
2	123500	1	Large "EMERGENCY STOP" Mushroom Head Switch
3	123506	1	"EMERGENCY STOP" Nameplate
4	123516	1	Normally Opened Contact Block
5	123521	1	Normally Closed Contact Block with Base
6	116252	1	Top Front Panel Insulation
7	116253	1	Bottom Front Panel Insulation
8	102004	2	Compact Door Magnet
9	152223	2	#10-32 x 1/2" FH T-20 TORX Machine Screw

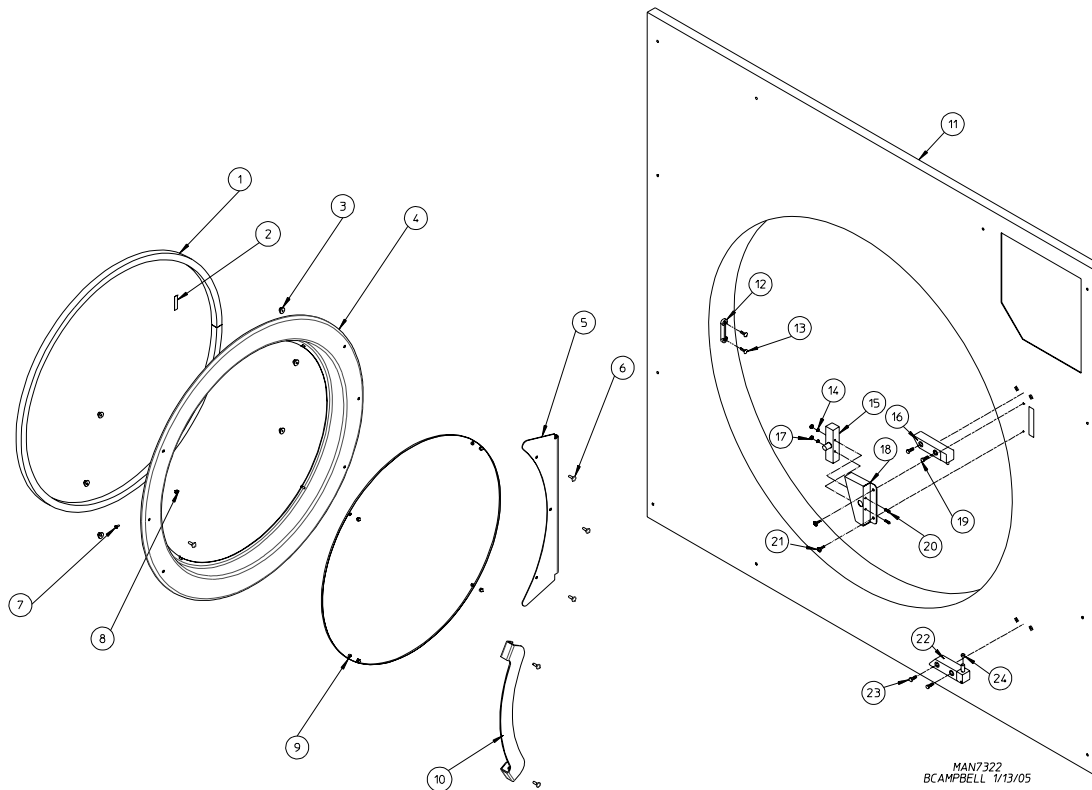
STI-54 / STI-77 Main Door Switch



<u>Illus. No.</u>	<u>Part No.</u>	<u>Qty.</u>	<u>Description</u>
1	150006	2	#6-32 x 7/8" Phillips Pan Head Machine Screw
2	152013	2	#6-32 Hex Nut
3	153010	2	#6 Star Washer
4	137005	1	Single-Pole Door Switch
5	150301	4	#8-18 x 7/16" Phillips Pan Head TEK Screw
6	881687	1	Main Door Switch Housing Only
	881702	1	Main Door Switch with Housing Assembly (includes illus. nos. 1 through 4 and 6)
7	150301	2	#8-18 x 7/16" Phillips Pan Head TEK Screw
8	881441	1	White Bottom Hinge Block
9	881440	1	White Top Hinge Block
10	153031	1	Nylon Washer

STI-77 Front Panel / Main Door Assemblies

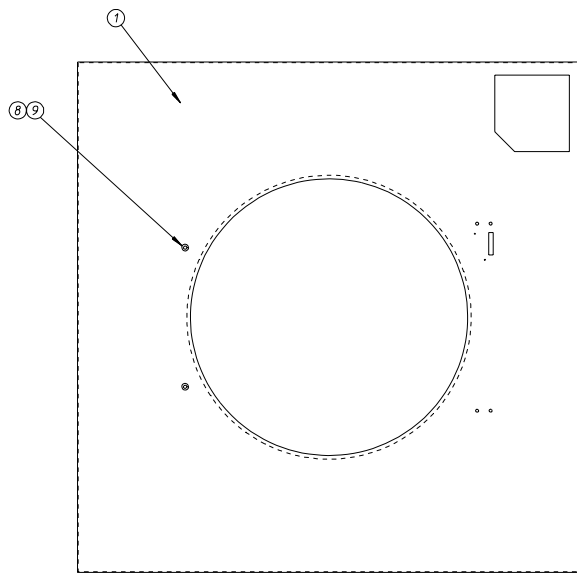
For Models Mfd. prior to September 10, 2005



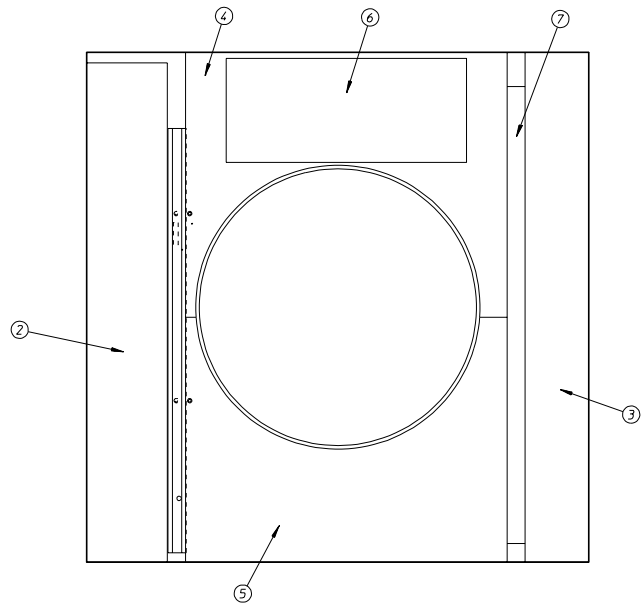
<u>Illus. No.</u>	<u>Part No.</u>	<u>Qty.</u>	<u>Description</u>
1	102357	1	Large Steel Door Gasket
2	110006	2"	1/2" Black Strapping Tape (sold by the inch)
3	152014	6	1/4-20 Free Spin Wash Nut
4	835057	1	Cold Rolled Steel Door Ring Only
5	835056	1	Door Hinge
6	150683	6	1/4-20 x 5/8" Black Carriage Bolt
7	150120	1	Main Door Latch Screw (#10-32 dome hex head screw)
8	151010	1	#10-32 Black Acorn Nut
9	102221	1	30" Door Glass
10	883863	1	Large Cold Rolled Steel Main Door Handle
11	851083	1	Front Panel Assembly for Cold Rolled Steel Door
12	170330	1	Friction Door Latch
13	154215	2	5/32" x 1/4" Alum Rivet
14	153010	2	#6 Star Washer
15	137005	1	Single Pole Door Switch
16	881440	1	White Top Hinge Block
	881736	1	Blue Top Hinge Block
17	152013	2	#6-32 Hex Nut
18	881687	1	White Main Door Switch Housing Only
	881695	1	Blue Main Door Switch Housing Only
19	150445	4	1/4-20 x 3/4" Black SHCS
20	150006	2	#6-32 x 7/8" Phillips Pan Head Machine Screw
21	150301	2	#8-18 x 7/16" Phillips Pan Head TEK Screw
22	881441	1	White Bottom Hinge Block
	881735	1	Blue Bottom Hinge Block
23	150445	4	1/4-20 x 3/4" Black SHCS
24	153031	1	Nylon Washer

STI-77 Front Panel

For Models Mfd. as of September 10, 2005

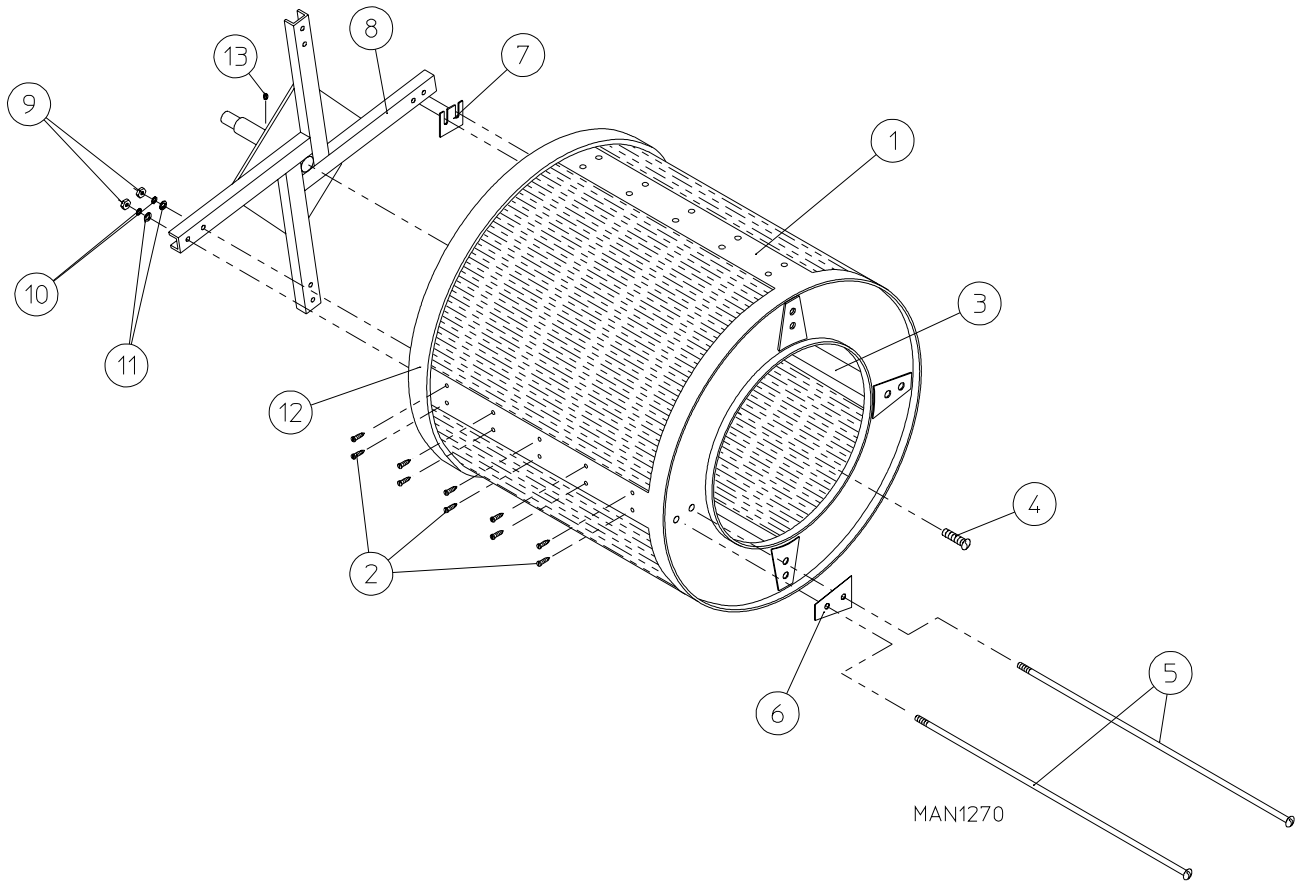


MAN7419



<u>Illus. No.</u>	<u>Part No.</u>	<u>Qty.</u>	<u>Description</u>
1	801642	1	Front Panel
2	116260	1	Left Side Insulation
3	116261	1	Right Side Insulation
4	116262	1	Top Front Insulation
5	116265	1	Bottom Front Insulation
6	116290	1	Top Center Insulation
7	116291	1	Hat Stiffener Insulation
8	102004	2	Door Magnet
9	152223	2	#10-32 x 1/2" FH T-20 Machine Screw

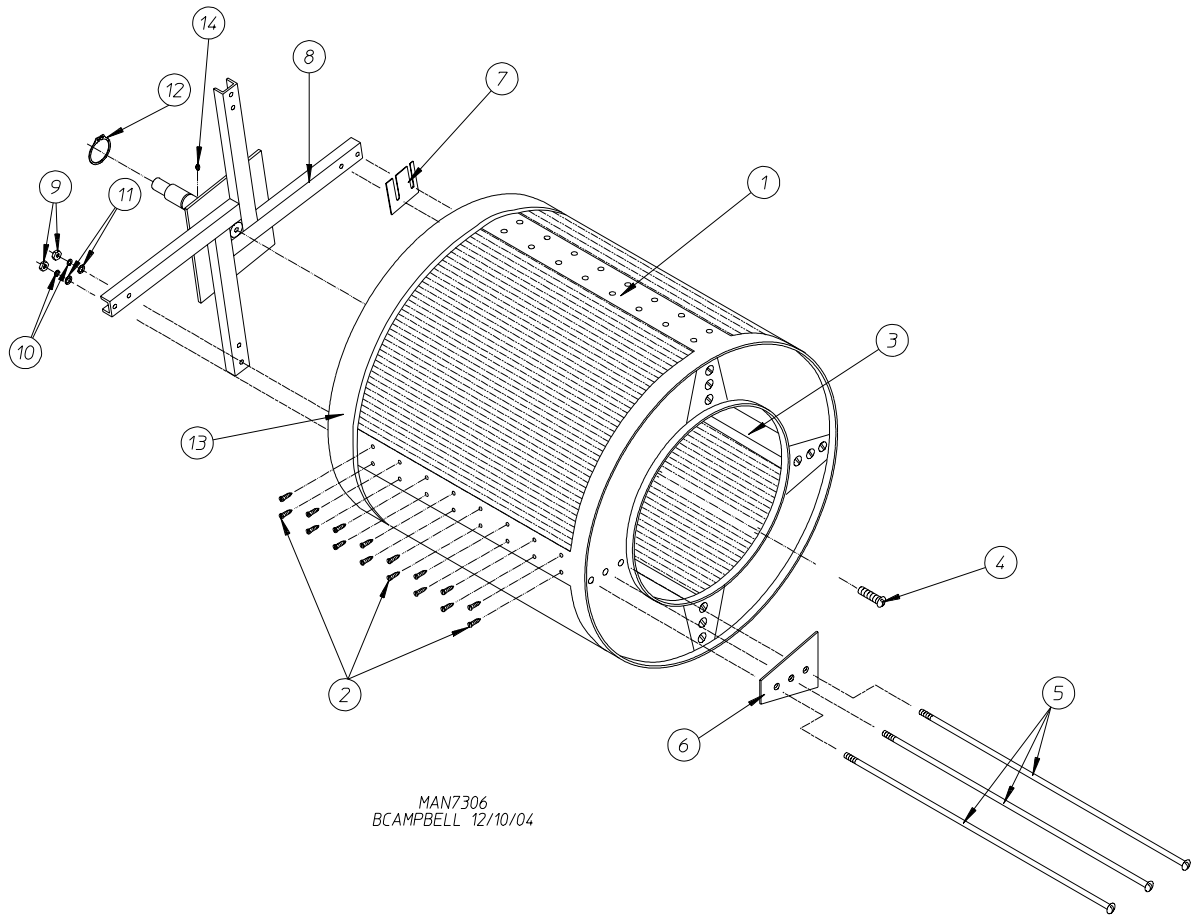
STI-54 Tumbler / Support Assemblies



Illus. No.	Part No.	Qty.	Description
1	820029	1	Stainless Steel Tumbler and Support Assembly Complete (includes illus. nos. 1 through 12)
2	150309	40	#10-16 x 1/2" Hex Head TEK Crimptite Screw
3	331105	4	Tumbler Rib Only
4	150500	1	5/16-18 x 3/4" Socket Button Head Screw
5	100910	8	1/2-13 x 44" Tie Rod
6	301700	4	Tumbler Reinforcing Plate Only
7	301701*	—	Tumbler Shim Only
8	820116	1	Tumbler Support Only with Rotational Sensor Option
9	152011	8	1/2-13 Hex Nut
10	153026	8	1/2" Lock Washer
11	153011	8	9/16" Flat Washer
12	116006	1	Felt Collar Only
	401010	1	#847 Adhesive for Felt Collar (5 oz. tube)
13	821002	1	Rotational Magnet Holder Assembly

* As required.

STI-77 Tumbler / Support Assemblies

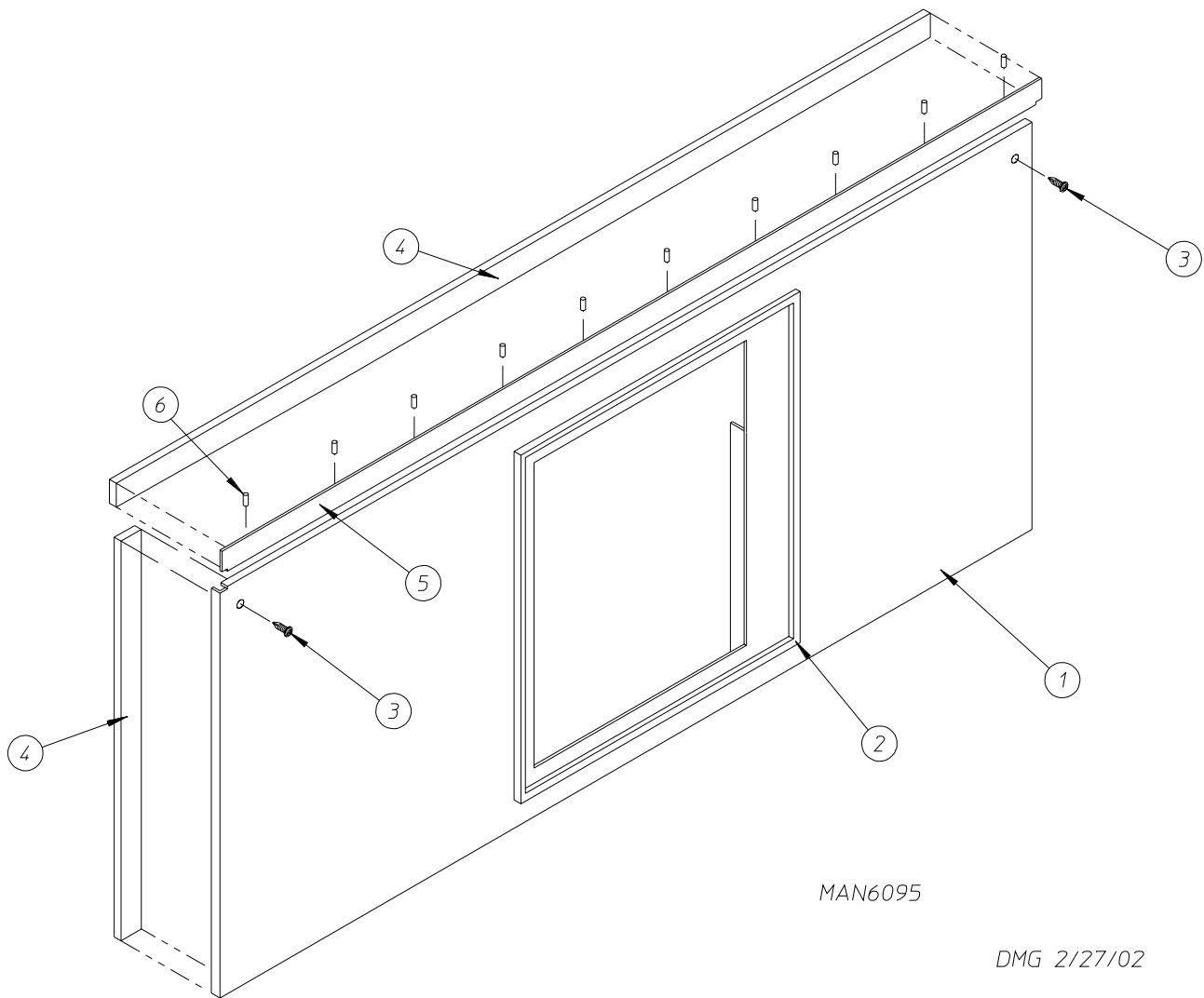


<u>Illus. No.</u>	<u>Part No.</u>	<u>Qty.</u>	<u>Description</u>
1	820979*	1	Galvanized Tumbler Only without Felt Collar
	821795	1	Galvanized Tumbler and Support Assembly Complete (includes illus. nos. 1 through 13)
	881640	1	Stainless Steel Tumbler and Support Assembly Complete (includes illus. nos. 1 through 13)
2	150309	64	#10-16 x 1/2" Hex Head TEK Crimptite Screw
3	332140	4	Galvanized Tumbler Rib Only
4	150500	1	5/16-18 x 3/4" Socket Button Head Screw
5	100910	12	1/2-13 x 44" Tie Rod
6	332139	4	Tumbler Reinforcing Plate Only
7	332177**	—	Tumbler Shim Only
8	881555	1	Tumbler Support Only
9	152011	12	1/2-13 Hex Nut
10	153026	12	1/2" Lock Washer
11	153011	13	9/16" x 1-3/8" Flat Washer
12	100810	1	3-1/8" Retaining Ring
13	116007	1	Felt Collar Only
14	821002	1	Rotational Magnet Holder Assembly

* Felt collar is not included and must be ordered separately.

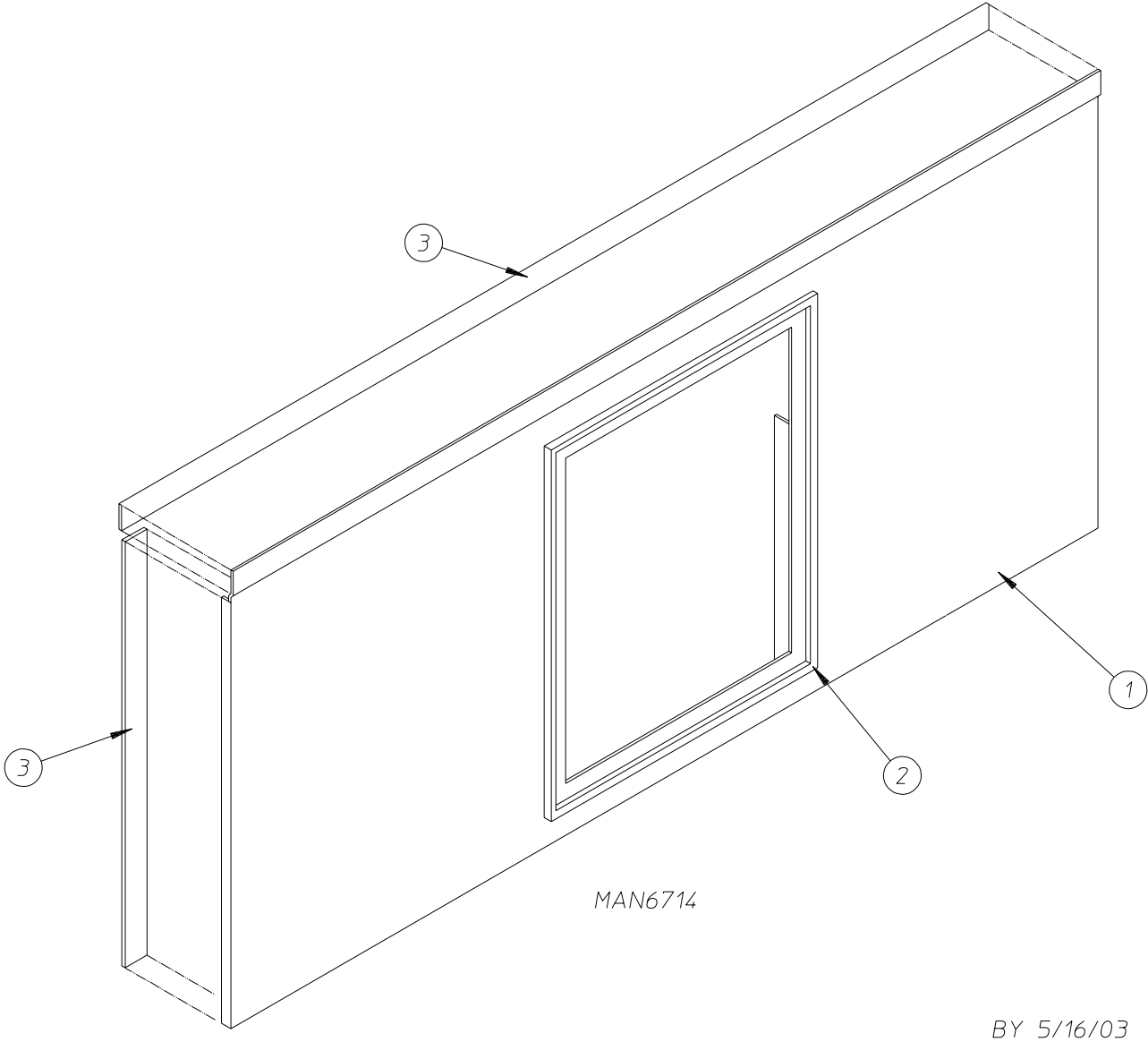
** As required.

STI-54 Lint Door Assembly



<u>Illus. No.</u>	<u>Part No.</u>	<u>Qty.</u>	<u>Description</u>
1	845012	1	Lint Door
2	117607	5'	1/4" x 3/8" Poron Foam Tape
3	150309	5	#10-16 x 1/2" Hex Head TEK Crimptite Screw
4	117604	8'	1/8" x 3/8" Neoprene Sponge Tape
5	345882	1	Lint Door Trim
6	154215	10	Rivet

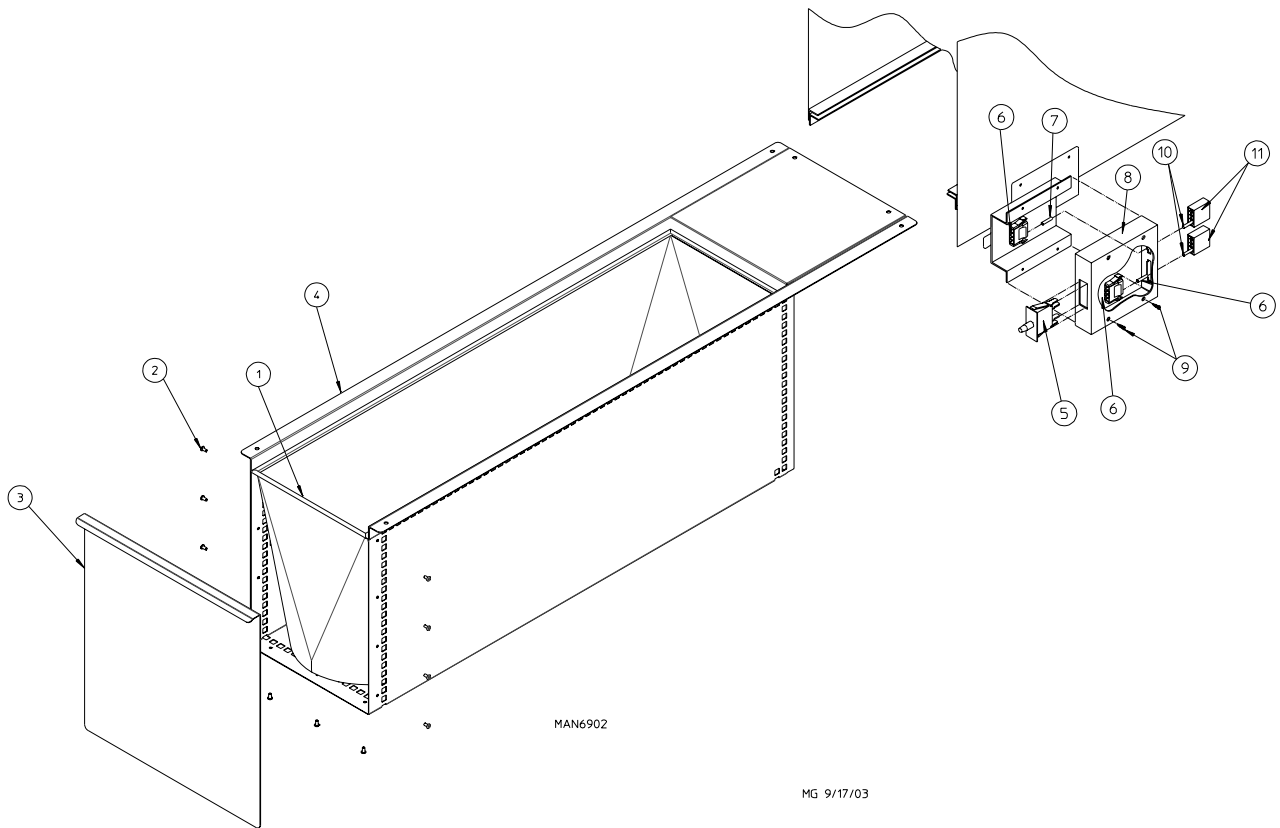
STI-77 Lint Door Assembly



Illus. No.	Part No.	Qty.	Description
1	820945*	1	Lint Door Assembly (includes illus. nos. 1 through 3)
2	117607	6	1/4" x 3/8" Poron Foam
3	117604	9'	Noise Suppression Tape (sold by the foot)

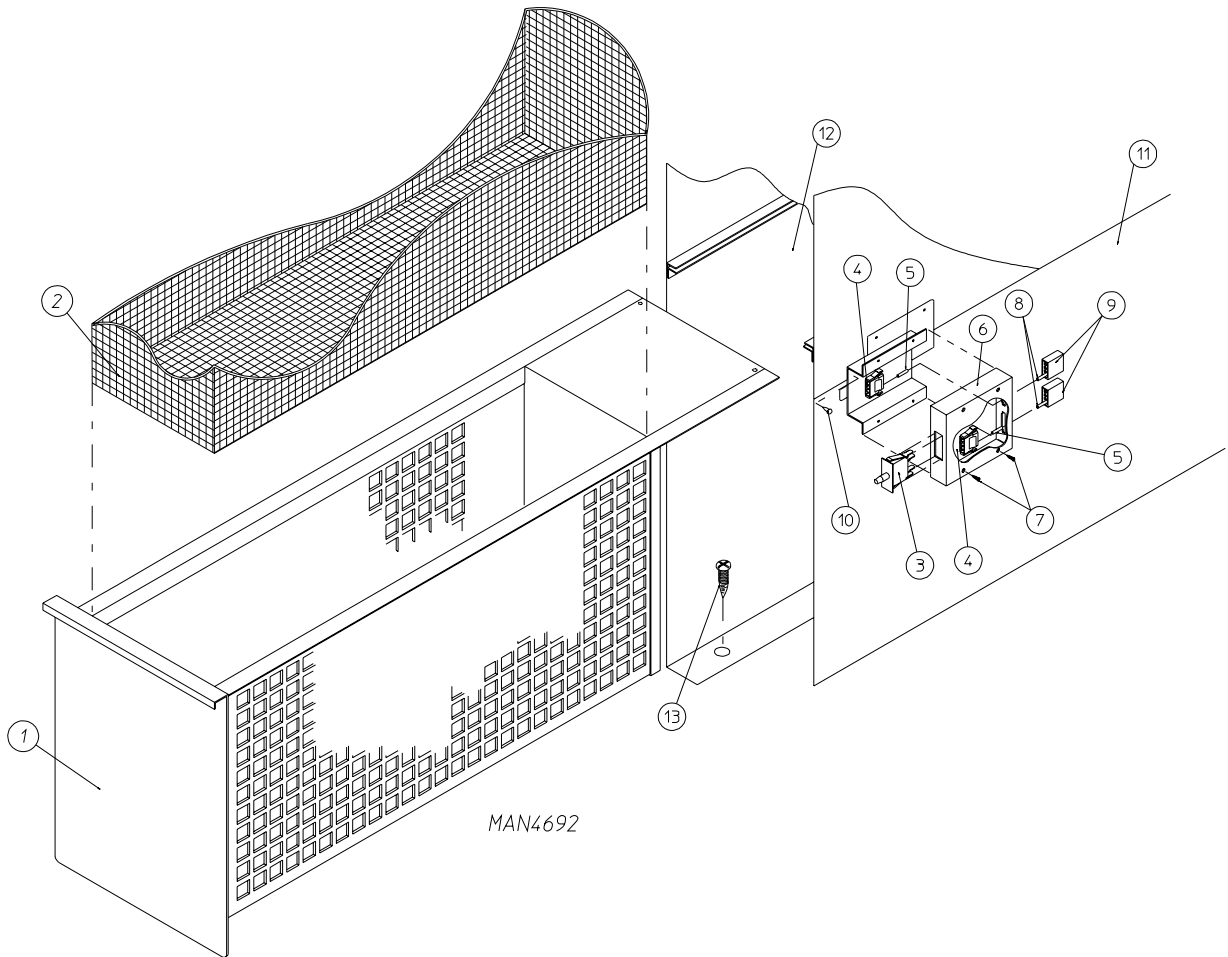
* Specify color when ordering.

STI-54 Lint Drawer / Lint Drawer Switch Box Assemblies



<u>Illus. No.</u>	<u>Part No.</u>	<u>Qty.</u>	<u>Description</u>
1	820017	1	Lint Bag
2	154211	11	Button Head Rivet
3	801137	1	Lint Drawer Handle
4	850949	1	Lint Basket
	850950	1	Complete Lint Basket (includes illus. nos. 2 through 4)
5	122116	1	Lint Drawer Switch Only
6	122605	1	4-Pin Socket Connector
7	122701	2	Socket Terminal Only
	122801	1	Pin / Socket Extraction Tool
8	882507	1	Lint Drawer Switch Box Assembly Complete (includes illus. nos. 6 through 9)
9	150301	4	#8-18 x 7/16" Phillips Pan Head TEK Screw
10	122700	2	Pin Terminal Only
11	122604	1	4-Pin Connector

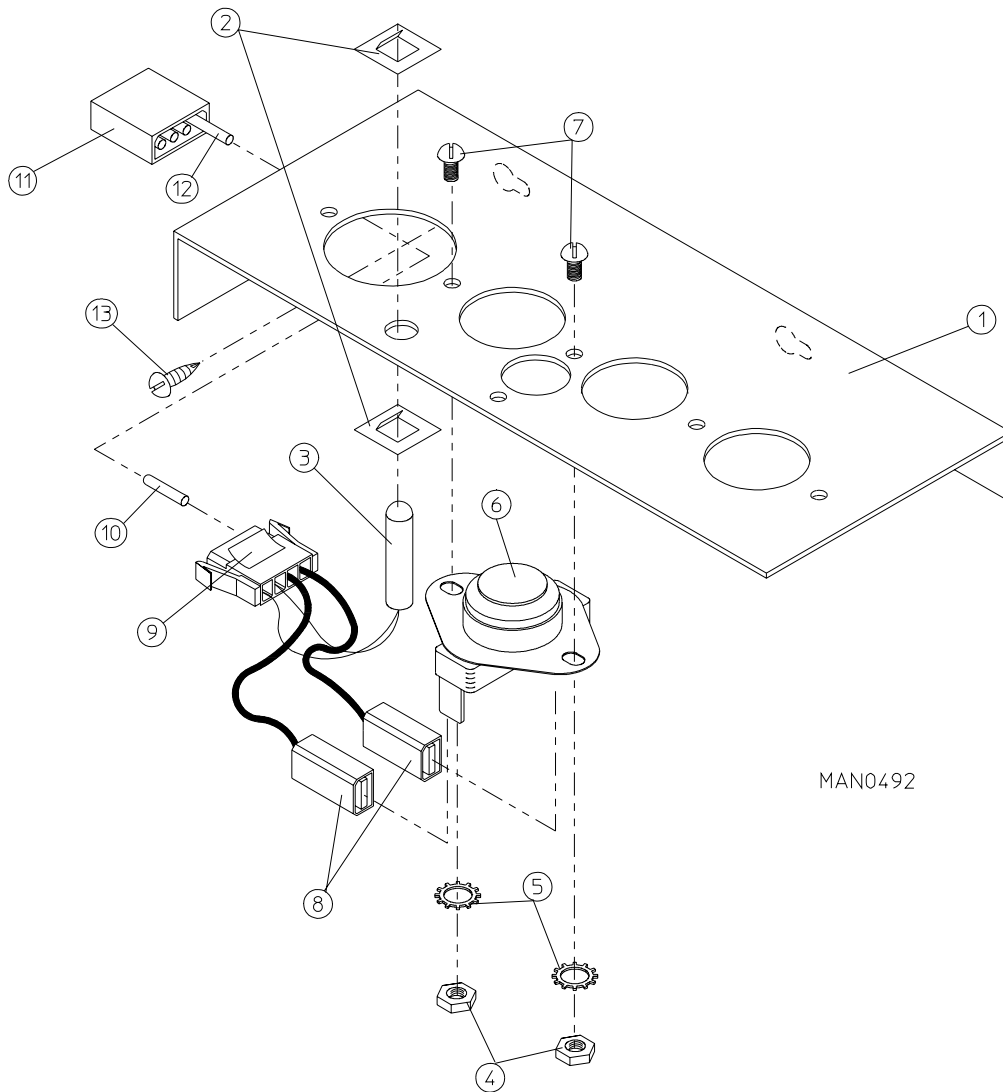
STI-77 Lint Drawer / Lint Drawer Switch Box Assemblies



Illus. No.	Part No.	Qty.	Description
1	821046*	1	Lint Drawer Assembly
2	820925	1	Lint Screen Assembly Only
3	150002	2	#6-32 x 1" Phillips Round Head Machine Screw
4	122116	1	Lint Drawer Switch Only
5	153012	2	#8 Star Washer
6	152001	2	#8-32 x 3/8" Hex Nut
7	820138	1	Lint Drawer Switch Assembly Complete (includes illus. nos. 3 through 8)
	820137	1	Lint Drawer Switch Mounting Bracket Assembly Only (includes illus. nos. 3 and 4)
	321638	1	Lint Drawer Switch Mounting Bracket Only
8	150309	2	#10-16 x 1/2" Hex Head TEK Crimpite Screw
9	122604	2	4-Pin Connector
10	150301	2	#8-18 x 7/16" Phillips Pan Head TEK Screw
11	319076	1	Right Hand Divider Panel
12	319077	1	Left Hand Divider Panel
13	150301	14	#8-18 x 7/16" Phillips Pan Head TEK Screw

* Specify color when ordering.

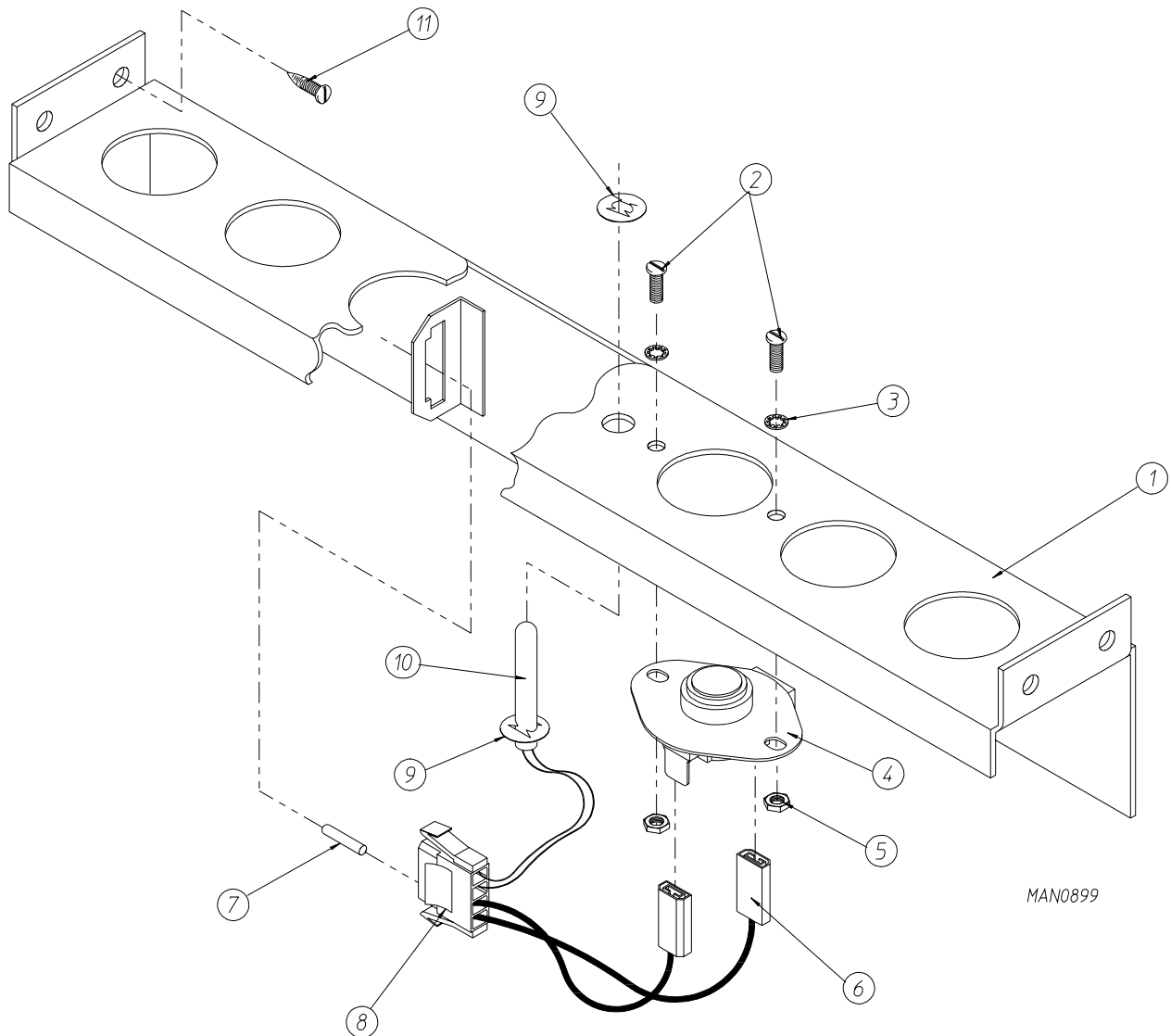
STI-54 Temperature Sensor Bracket Assembly



MAN0492

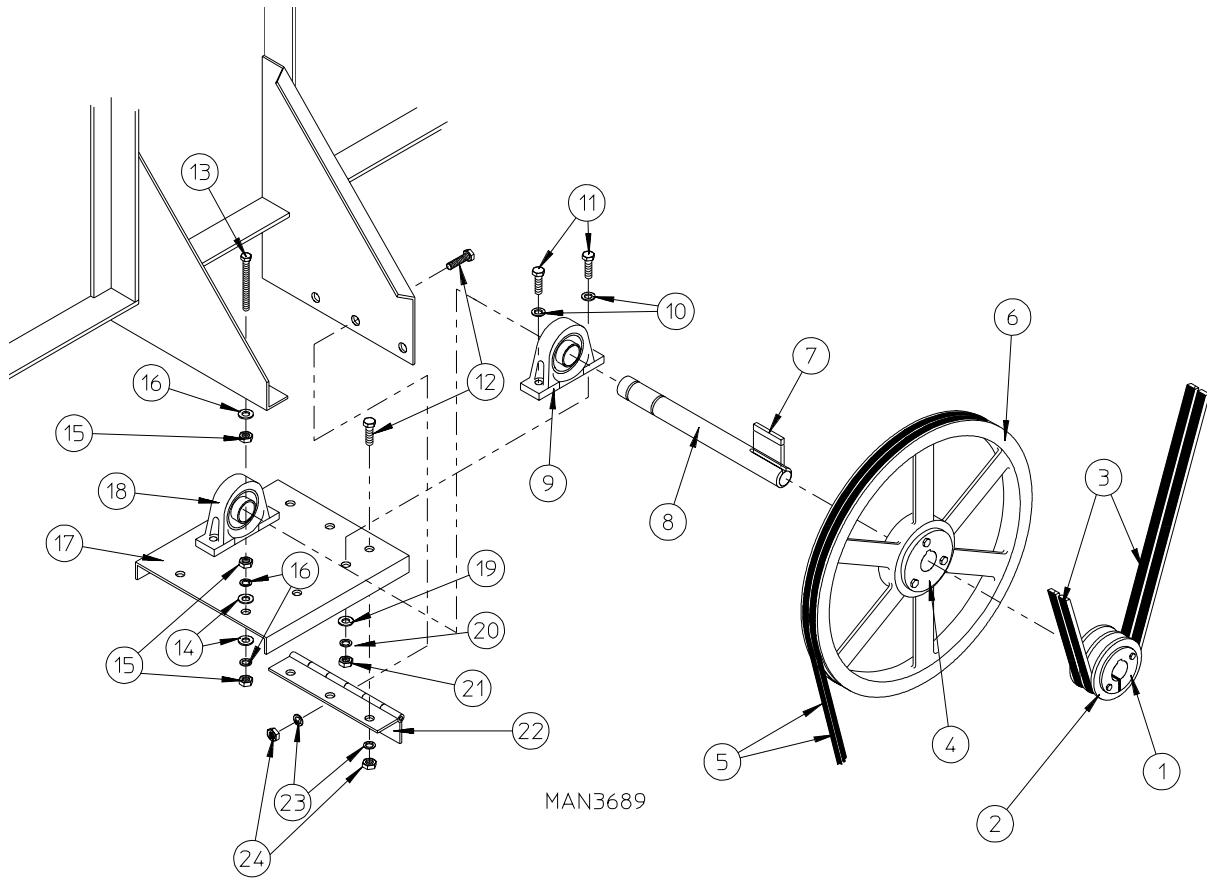
Illus. No.	Part No.	Qty.	Description
1	820022	1	Temperature Sensor Bracket Assembly Complete (includes illus. nos. 1 through 10)
	331295	1	Temperature Sensor Bracket Only
2	154007	2	1/4" Tinnerman Push-On Fastener
3	815961	1	1/4" Temperature Sensor Probe Assembly (includes illus. nos. 2, 3, 8, 9, and 10)
4	152000	2	#6-32 Hex Nut
5	153010	2	#6 Star Washer
6	130112	1	225° Large Automatic Reset Thermostat Only
7	150000	2	#6-32 x 1/4" Round Head Machine Screw
8	121028	2	Insulated Terminal
9	122605	1	4-Pin Socket Connector Only
10	122701	4	Socket Terminal Only
11	122604	1	4-Pin Connector Only
12	122700	4	Pin Terminal Only
	122801	1	Pin / Socket Extraction Tool
13	150301	2	#8-18 x 7/16" Phillips Pan Head Screw

STI-77 Microprocessor Temperature Sensor Bracket Assembly



<u>Illus. No.</u>	<u>Part No.</u>	<u>Qty.</u>	<u>Description</u>
1	815931	1	Microprocessor Temperature Sensor Bracket Complete (includes illus. nos. 1 through 11)
	820967	1	Microprocessor Temperature Sensor Bracket Only
2	150005	2	#6-32 x 1/4" Phillips Round Head Machine Screw
3	153010	2	#6 Star Washer
4	130103	1	225° Large Automatic Reset Thermostat Only
5	152000	2	#6-32 Hex Nut
6	121028	2	1/4" x 0.032 Insulated Terminal
7	122701	4	Socket Terminal Only
—	122801	1	Pin / Socket Extraction Tool ... Not Illustrated
8	122605	1	4-Pin Connector (female)
9	154007	2	1/4" Push-On Fastener
10	815961	1	1/4" Temperature Sensor Probe Assembly (includes illus. nos. 6 through 10)
11	150301	4	#8-18 x 7/16" Phillips Pan Head TEK Screw

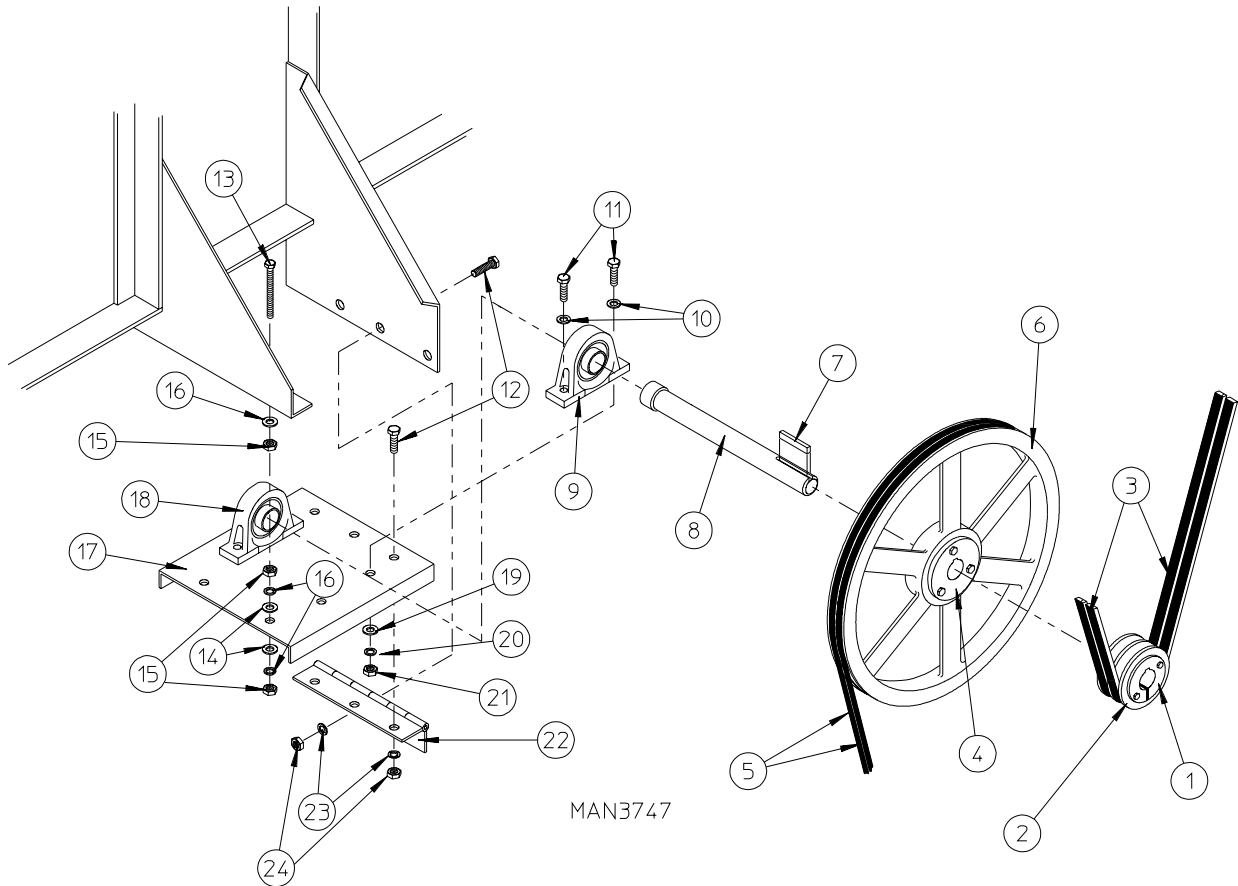
STI-54 Idler Bearing Mount Assembly



Illus. No.	Part No.	Qty.	Description
1	101110	1	1" Bushing
2	101113	1	2A x 3.0 Pulley
3	100135*	2	AP-74 V-Belt
4	101107	1	1" SK Bushing
5	100170*	2	3V-710 Cogged Belt
6	101112	1	19" Idler Pulley
7	100715	1	1/4" x 1/4" x 4-5/8" Key
8	301852	1	1" Idler Shaft Only
9	884275	1	1" Pillow Block Bearing Only
10	153004	4	3/8" Flat Washer
11	150600	4	3/8-16 x 1-1/2" Hex Head Machine Bolt
12	150512	6	1/4-20 x 1/2" Hex Head Machine Bolt
13	150509	2	5/16-18 x 3" Hex Head Machine Bolt
14	153001	4	5/16" Flat Washer
15	152004	6	5/16" Hex Nut
16	153002	8	5/16" Lock Washer
17	801001	1	Idler Bearing Mount Assembly Complete (includes illus. nos. 8 through 11 and 17 through 24)
	311401	1	Idler Bearing Mount Only
18	884275	1	1" Pillow Block Bearing Only
19	153004	4	3/8" Flat Washer
20	153005	4	3/8" Lock Washer
21	152005	4	3/8-16 Hex Nut
22	103005	1	Idler Adjustment Hinge Only
23	153007	6	1/4" Lock Washer
24	152002	6	1/4-20 Hex Nut

* Replace in matched sets (both belts).

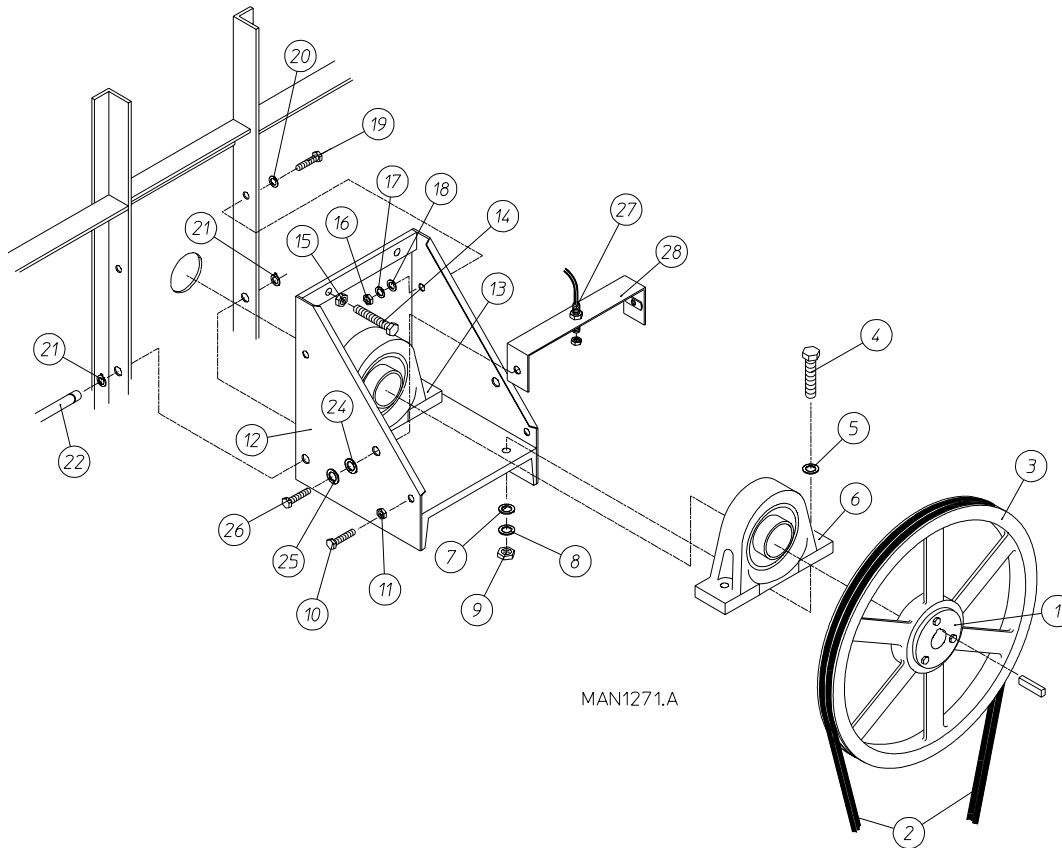
STI-77 Idler Bearing Mount Assembly



<u>Illus. No.</u>	<u>Part No.</u>	<u>Qty.</u>	<u>Description</u>
1	101152	1	1-3/8" Bushing with Setscrew
2	101143	1	2B3.8 SH Sheave
3	100137*	2	AB-91 V-Belt (tumbler to idler)
4	101184	1	SK 1-3/8" Bushing with Setscrew
5	100102*	2	3V-740 V-Belt (idler to motor)
6	101112	1	19" Idler Pulley
7	100715	1	1/4" x 1/4" x 4-5/8" Key
8	332152	1	Idler Shaft Only
9	100259	1	1-3/8" Pillow Block Griplock Bearing
10	153011	4	9/16" ID x 1-3/8" OD Flat Washer
11	150606	4	1/2-13 x 2" Tap Bolt
12	150501	6	5/16-18 x 3/4" Tap Bolt
13	152034	2	3/8-16 x 3-1/2" Hex Head Machine Bolt
14	153004	6	3/8" x 1" Flat Washer
15	152005	6	3/8-16 Hex Nut
16	153005	4	3/8" Lock Washer
17	820932	1	Idler Bearing Mount Assembly Complete (includes illus. nos. 7 through 11 and 17 through 24)
	332151	1	Idler Bearing Mount Only
18	100259	1	1-3/8" Pillow Block Griplock Bearing
19	153011	4	9/16" ID x 1-3/8" OD Flat Washer
20	153026	4	1/2" Lock Washer
21	152011	4	1/2-13 Hex Nut
22	103005	1	Idler Adjustment Hinge Only
23	153002	6	5/16" Lock Washer
24	152004	6	5/16-18 Hex Nut

* Replace in matched sets (both belts).

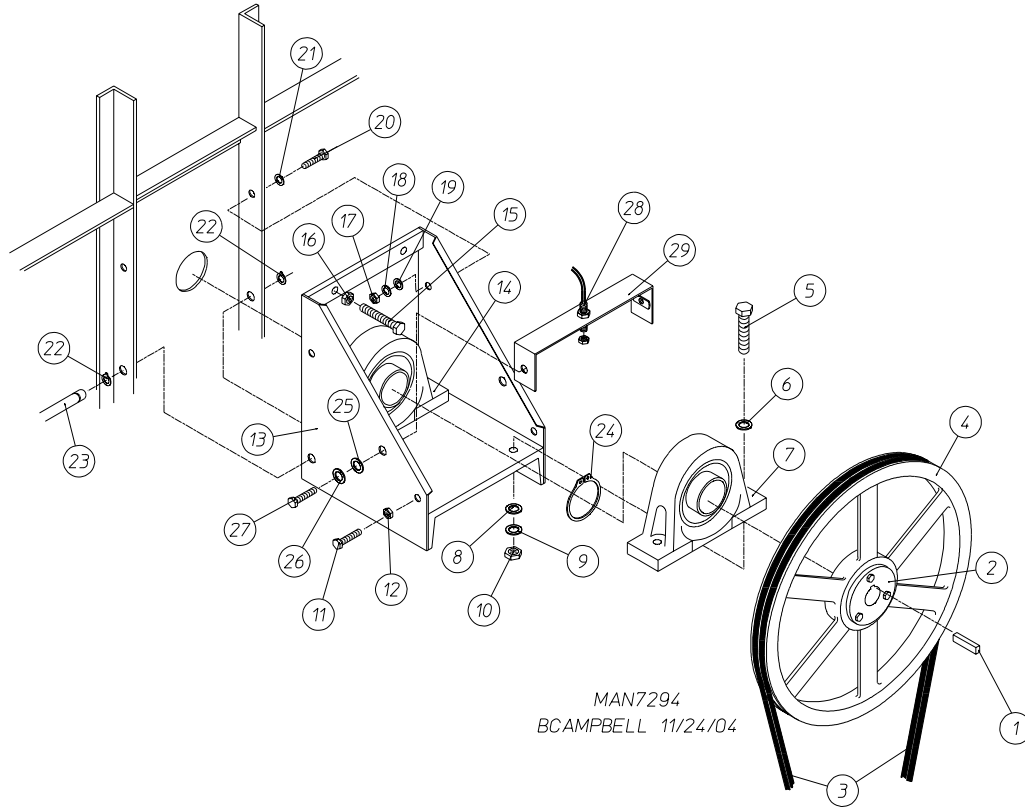
STI-54 Tumbler Bearing Mount Assembly



Illus. No.	Part No.	Qty.	Description
1	101137	1	2-1/4" SFX Bushing
2	100135*	2	AP-74 V-Belt
3	101136	1	2B x 20" Tumbler Pulley
4	150602	4	5/8-11 x 3" Hex Head Machine Bolt
5	153016	4	5/8" Flat Washer
6	883767	1	2-1/4" Griplock Pillow Bearing Only
7	153016	4	5/8" Flat Washer
8	153015	4	5/8" Lock Washer
9	152010	4	5/8-11 Hex Nut
10	150600	2	3/8-16 x 1-1/2" Hex Head Machine Bolt
11	152005	2	3/8-16 Hex Nut
12	801102	1	Tumbler Bearing Mount Assembly (includes illus. nos. 4 through 13)
13	883767	1	2-1/4" Griplock Pillow Bearing Only
14	150604	2	1/4-20 x 3" Tap Bolt
15	152012	2	1/4-20 Hex Nut
16	152005	2	3/8-16 Hex Nut
17	153005	2	3/8" Lock Washer
18	153004	4	3/8" Flat Washer
19	150600	2	3/8-16 x 1-1/2" Hex Head Machine Bolt
20	153004	2	3/8" Flat Washer
21	100801	2	5/8" Retaining Ring
22	301810	1	5/8" Hinge Pin
24	153018	2	1/4" Flat Washer
25	153007	2	1/4" Lock Washer
26	150512	2	1/4-20 x 1/2" Hex Head Machine Bolt
27	822735	1	Rotational Sensor Assembly
28	820098	1	Rotational Sensor Mounting Bracket

* Replace in matched sets (both belts).

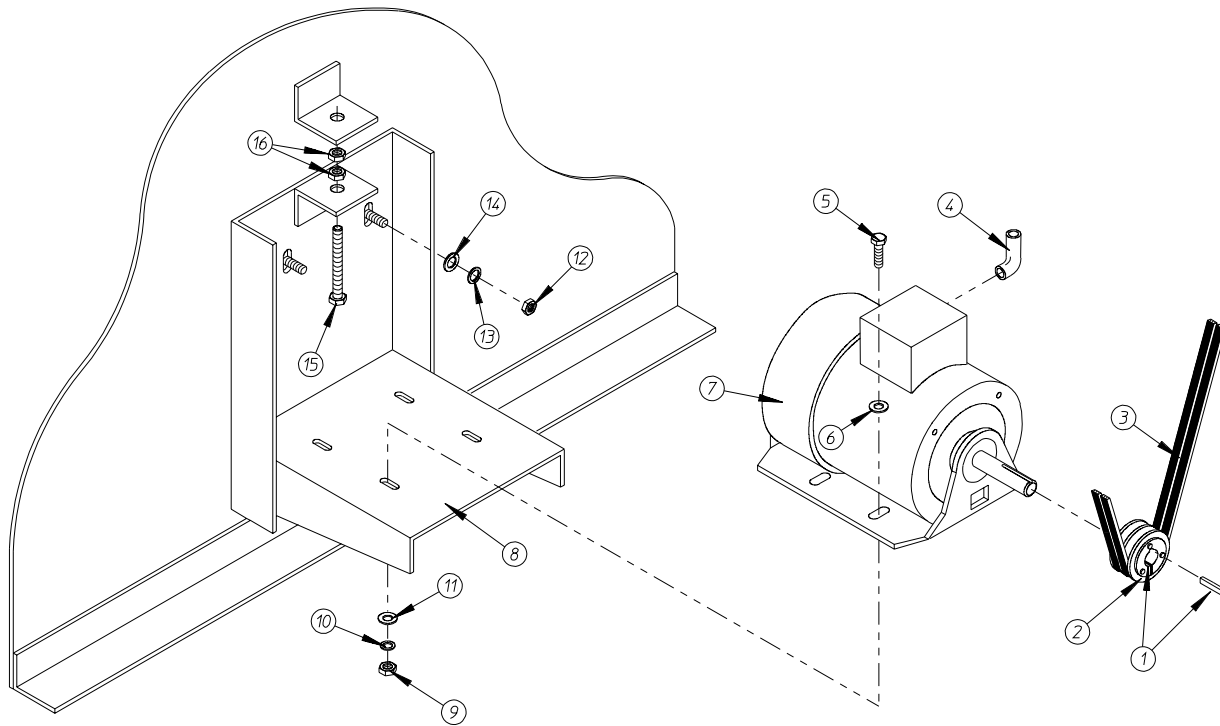
STI-77 Tumbler Bearing Mount Assembly



Illus. No.	Part No.	Qty.	Description
1	100703	1	1/2" x 1/2" x 2" Key
2	101217	1	2-1/2" SFX Bushing with Key
3	100137*	2	AB-91 V-Belt (tumbler to idler)
4	101182	1	25" Tumbler Pulley Only
5	150602	4	5/8-11 x 3" Hex Head Machine Bolt
6	153016	4	5/8" Flat Washer
7	884100	1	2-1/2" Pillow Block Bearing Only
8	153016	4	5/8" Flat Washer
9	153015	4	5/8" Lock Washer
10	152010	4	5/8-11 Hex Nut
11	150600	2	3/8-16 x 1-1/2" Hex Head Machine Bolt
12	152005	2	3/8-16 Hex Nut
13	821175	1	Tumbler Bearing Mount Only
14	880883	1	3-1/8" Pillow Block Bearing Only
15	150604	2	1/2-20 x 3" Tap Bolt
16	152012	2	1/2-20 Hex Nut
17	152005	2	3/8-16 Hex Nut
18	153005	2	3/8" Lock Washer
19	153004	4	3/8" Flat Washer
20	150600	2	3/8-16 x 1-1/2" Hex Head Machine Bolt
21	153004	2	3/8" Flat Washer
22	100801	2	5/8" Retaining Ring
23	332153	1	5/8" Hinge Pin
24	100810	1	3-1/8" Retaining Ring
25	153018	2	1/4" Flat Washer
26	153007	2	1/4" Lock Washer
27	150512	2	1/4-20 x 1/2" Hex Head Machine Bolt
28	824807	1	Rotational Sensor Assembly
29	820997	1	Rotational Sensor Mounting Bracket

* Replace in matched sets (both belts).

STI-54 Reversing T.E.F.C. Tumbler Motor Mount Assembly



MAN0329

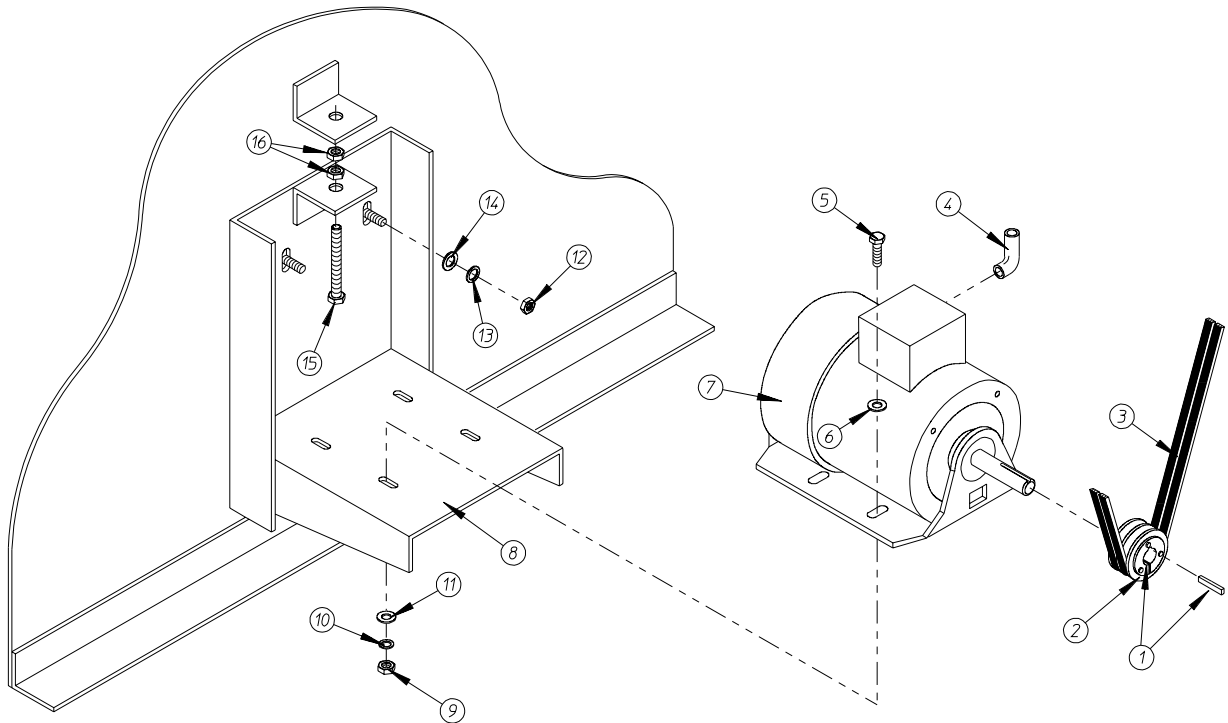
Illus. No.	Part No.	Qty.	Description
1	101121	1	5/8" SK Bushing
2	101114	1	2.65" Pulley (for 60 Hz models Only)
	101120	1	3.15" Pulley (for 50 Hz models Only)
3	100170*	2	3V-710 Cogged Belt (for 60 Hz models Only)
	100135	2	AP-74 V-Belt (for 50 Hz models Only)
4	120200	1	3/8" x 90° Connector
5	150501	4	5/16-18 x 3/4" Hex Head Machine Bolt
6	153001	4	5/16" Flat Washer
7	100029	1	3/4 hp 208/230/380/460V 3ø 50/60 Hz Totally Enclosed, Fan-Cooled Motor (56Z frame)
8	800952	1	Tumbler Motor Mount Only (56Z frame)
	800953**	1	3/4 hp 208/230/460V 3ø 60 Hz Tumbler Motor Mount Assembly Complete (includes illus. nos. 1, 2, 5, 7, 10, 11, 12, 15, and 16)
	800955**	1	3/4 hp 208/230/380/460V 3ø 50 Hz Motor Mount Assembly Complete (includes illus. nos. 1, 2, 5, 7, 10, 11, 12, 15, and 16)
9	152004	4	5/16-18 Hex Nut
10	153002	4	5/16" Lock Washer
11	153001	4	5/16" Flat Washer
12	152004	4	5/16-18 Hex Nut
13	153002	4	5/16" Lock Washer
14	153001	4	5/16" Flat Washer
15	150619	1	3/8-16 x 3" Hex Head Machine Bolt
16	152005	2	3/8-16 Hex Nut

* Replace in matched sets (both belts).

** Specify voltage when ordering.

IMPORTANT: For voltages higher than 460V, contact the factory for correct part number of motor mount assembly.

STI-77 Totally Enclosed, Fan-Cooled Tumbler Motor Mount Assembly



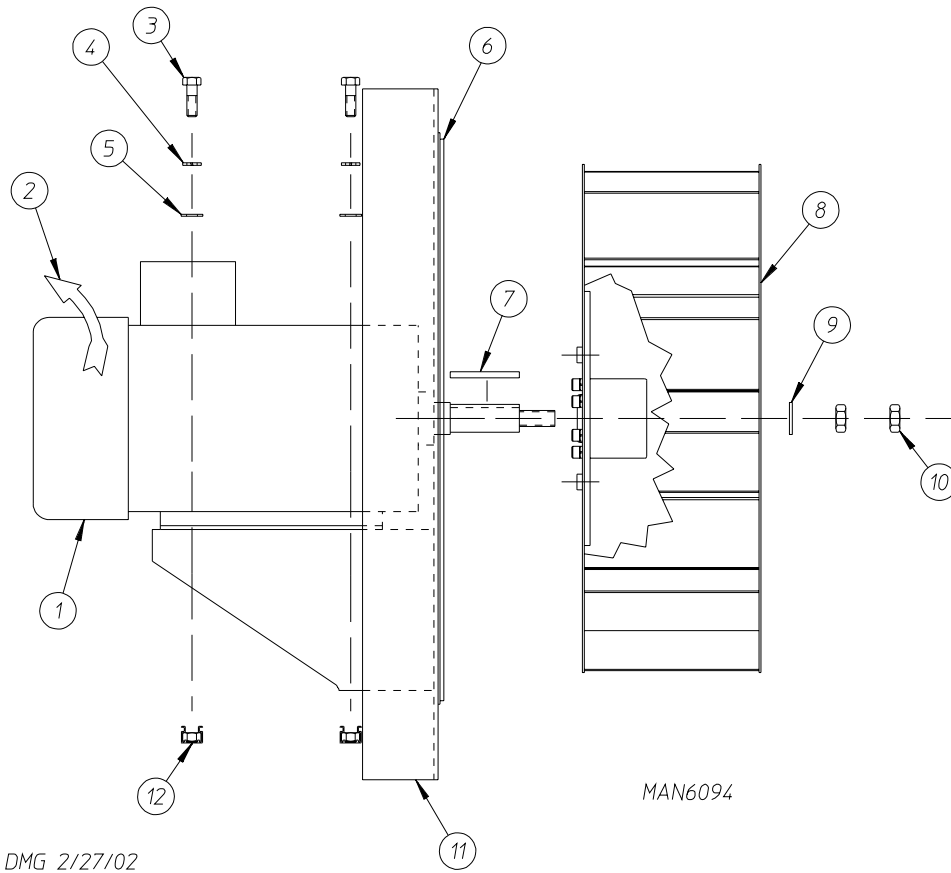
MAN0329

Illus. No.	Part No.	Qty.	Description
1	101121	1	5/8" SK Bushing
2	101114	1	2.65" Pulley (for 60 Hz models Only)
	101120	1	3.15" Pulley (for 50 Hz models Only)
3	100102*	2	3V-740 V-Belt (motor to idler)
4	120200	1	3/8" x 90° Connector
5	150501	4	5/16-18 x 3/4" Hex Head Machine Bolt
6	153001	4	5/16" Flat Washer
7	100050	1	1 hp 208/230/380/460V 3ø 50/60 Hz Totally Enclosed, Fan-Cooled Motor (56Z frame)
8	800952	1	Tumbler Motor Mount Only (56Z frame)
	820941	1	Totally Enclosed, Fan-Cooled Tumbler Motor Mount Assembly Complete (50/60 Hz) (includes illus. nos. 1, 4 through 11, 15, and 16)
			NOTE: MOTOR PULLEY MUST BE ORDERED SEPARATELY
9	152004	4	5/16-18 Hex Nut
10	153002	4	5/16" Lock Washer
11	153001	4	5/16" Flat Washer
12	152004	4	5/16-18 Hex Nut
13	153002	4	5/16" Lock Washer
14	153001	4	5/16" Flat Washer
15	150619	1	3/8-16 x 3" Hex Head Machine Bolt
16	152005	2	3/8-16 Hex Nut

* Replace in matched sets (both belts).

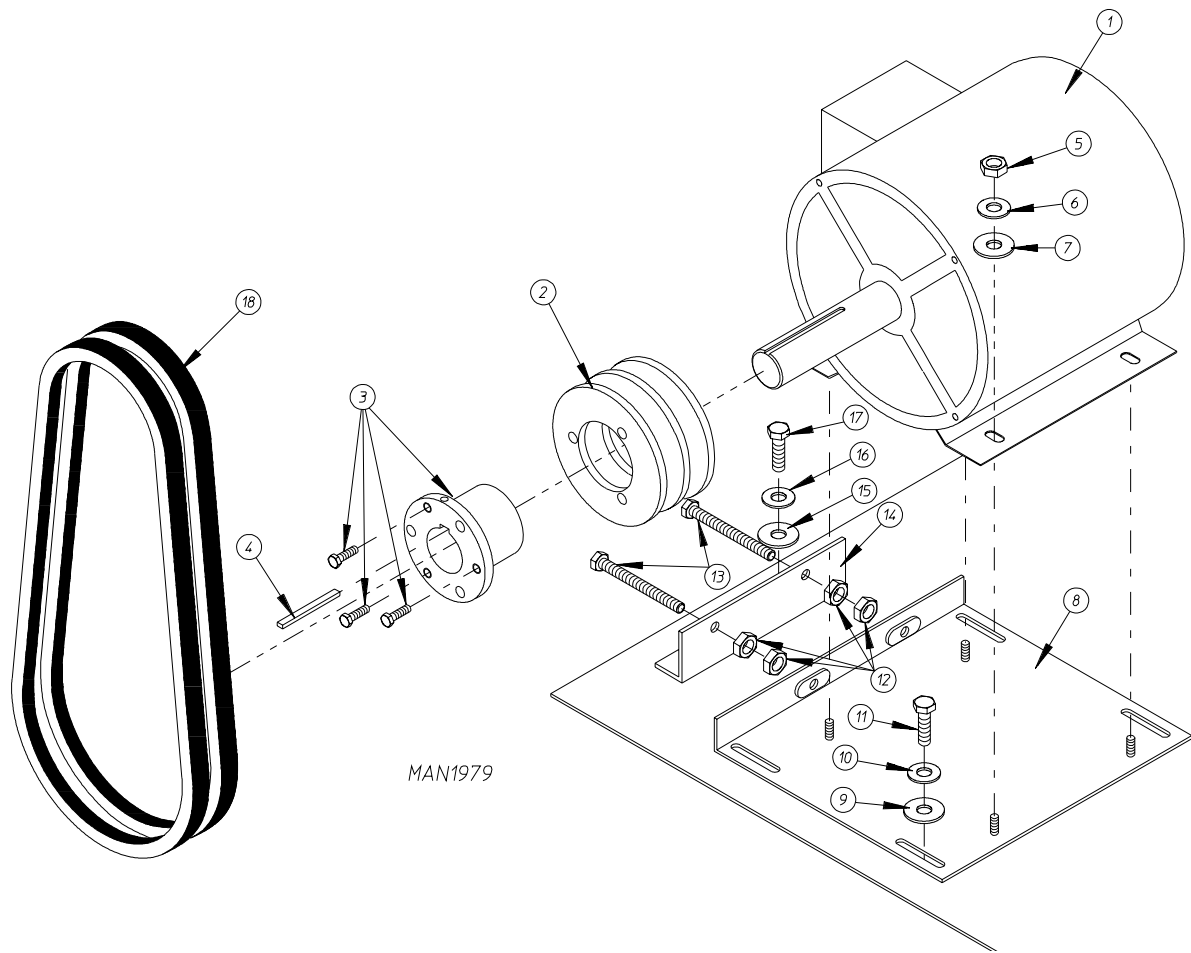
IMPORTANT: For voltages higher than 460V, contact the factory for correct part number of motor or motor mount assembly.

STI-54 Direct Blower Drive Motor Assembly



Illus. No.	Part No.	Qty.	Description
1	181043	1	3 hp Motor 208-230/380/460V 50/60 Hz
	100088	1	3 hp Motor 575V 60 Hz
2	112093	1	Red Rotational Label
3	150501	4	5/16-18 x 3/4" Hex Head Bolt
4	153002	4	5/16" Split Lock Washer
5	153001	4	5/16" Flat Washer
6	117604	4'	1/8" x 3/8" Neoprene Sponge Tape
7	100705	1	3/16" x 3/16" x 1-3/8" Key
8	802027	1	16" Impellor, 7/8" Bore 60 Hz
	802024	1	16" Impellor, 7/8" Bore 50 Hz
9	153065	1	1-1/2" O.S. Diameter x 1/2" I.S. Diameter Washer
10	152006	2	1/2-20 Left Hand Jam Nut
11	803561	1	Blower Motor Mount Only
	803562	1	208-230/460V 60 Hz Direct Blower Drive Motor Assembly (includes illus. nos. 1 through 12)
	803563	1	575V 60 Hz Direct Blower Drive Motor Assembly (includes illus. nos. 1 through 12)
	803564	1	380V 60 Hz Direct Blower Drive Motor Assembly (includes illus. nos. 1 through 12)
	803565	1	208/230/380/400/416V 50 Hz Direct Blower Drive Motor Assembly (includes illus. nos. 1 through 12)
12	154000	4	5/16-18 Self-Anchoring Retainer with Nut

STI-77 Blower Motor Mount Assembly

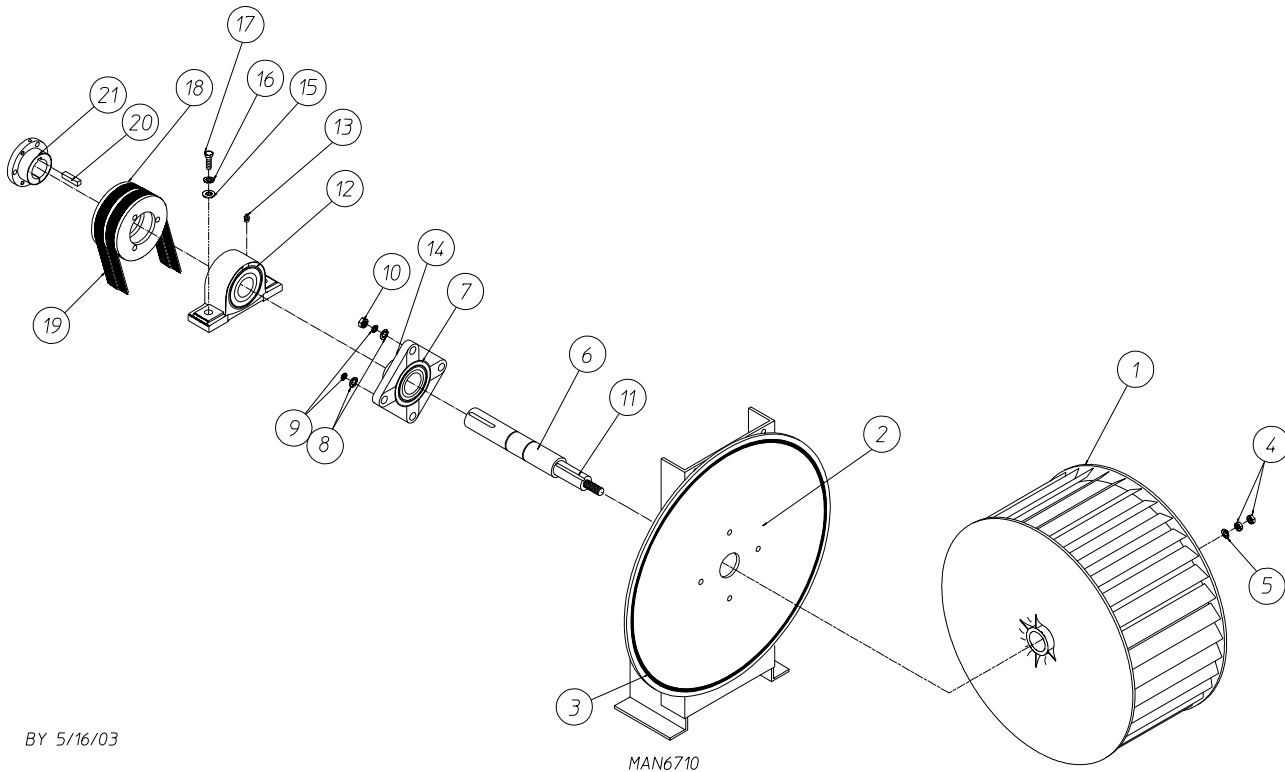


<u>Illus. No.</u>	<u>Part No.</u>	<u>Qty.</u>	<u>Description</u>
1	100046	1	7.5 hp 208-230/460V 3ø Motor (for 50/60 Hz models Only)
2	101148	1	SB x 4.0 Motor Pulley (for 60 Hz models Only)
	101147	1	SB x 4.8 Motor Pulley (for 50 Hz models Only)
3	101152	1	SH x 1-3/8" Bushing (for 60 Hz models Only)
	101194	1	SDS x 1-3/8" Bushing (for 50 Hz models Only)
4	100706	1	5/16" x 5/16" x 1-3/8" Key
5	152004	4	5/16-18 Hex Nut
6	153002	4	5/16" Lock Washer
7	153001	4	5/16" Flat Washer
8	821091	1	Motor Mount Adjustment Plate Only
9	153001	4	5/16" Flat Washer
10	153002	4	5/16" Lock Washer
11	150501	4	5/16-18 x 3/4" Hex Head Machine Bolt
12	152004	4	5/16-18 Hex Nut
13	150503	2	5/16-18 x 2" Hex Head Machine Bolt
14	332322	1	Motor Mount Adjustment Angle Only
15	153001	2	5/16" Flat Washer
16	153002	2	5/16" Lock Washer
17	150501	2	5/16-18 x 3/4" Hex Head Machine Bolt
18	100128*	2	BX-50 Cogged Belt (motor to fan shaft) for 60 Hz Models Only
	100164*	2	BX-51 Cogged Belt (motor to fan shaft) for 50 Hz Models Only

* Replace in matched sets (both belts).

STI-77 Fan Shaft Mount Assembly

For Gas Models Only



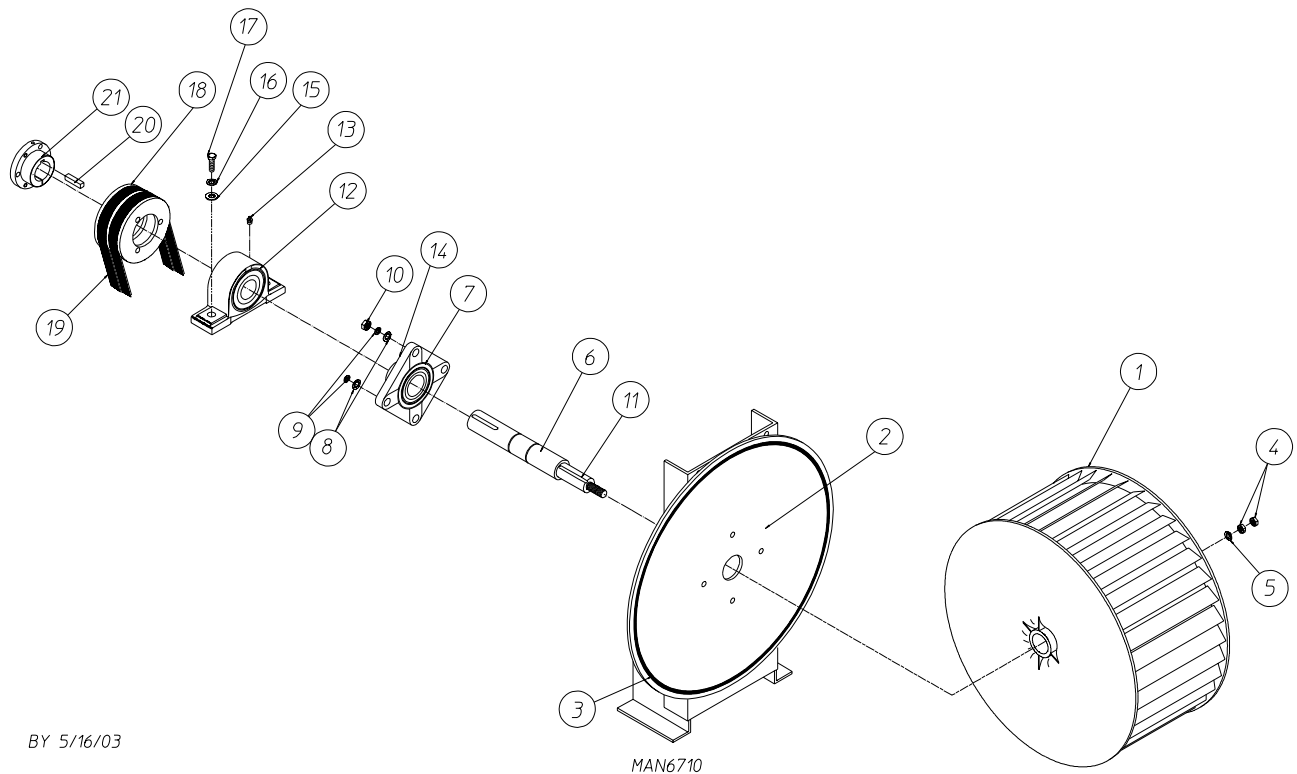
BY 5/16/03

Illus. No.	Part No.	Qty.	Description
1	100612	1	1-1/4" Bore x 15" Diameter x 6" Blower (fan) Wheel
2	821078	1	Fan Shaft Mount Assembly Complete (includes illus. nos. 1 through 21)
	821073	1	Fan Shaft Mount Only
3	117604	4'	Noise Suppression Tape (sold by the foot)
4	152006	2	1/2-20 Left Hand Jam Nut
5	153065	1	1-1/2" Flat Washer
6	332280	1	Fan Shaft Only
7	881061	1	1-3/8" Flange Bearing with Setscrew and Grease Fitting
8	153004	4	3/8" Flat Washer
9	153005	4	3/8" Lock Washer
10	152005	4	3/8-16 Hex Nut
11	100704	1	1/4" x 1/4" x 1-3/4" Key
12	100259	1	1-3/8" Pillow Block Bearing (griplock)
13	170511	2	1/8-27 N.P.T. ZIRC Grease Fitting Only
14	154321	4	5/16-24 x 3/8" Black Allen Setscrew (knurl cup)
15	153004	2	3/8" Flat Washer
16	153005	2	3/8" Lock Washer
17	150600	2	3/8-16 x 1-1/2" Tap Bolt
18	101177	1	2B x 5.8 Pulley
19	100128*	2	BX-50 Cogged Belt (fan shaft to motor) for 60 Hz Models Only
	100164	2	BX-51 Cogged Belt (fan shaft to motor) for 50 Hz Models Only
20	100706	1	5/16" x 5/16" x 1-3/8" Key
21	101194	1	SDS x 1-3/8" Bushing Only

* Replace in matched sets (both belts).

STI-77 Fan Shaft Mount Assembly

For Steam Models Only

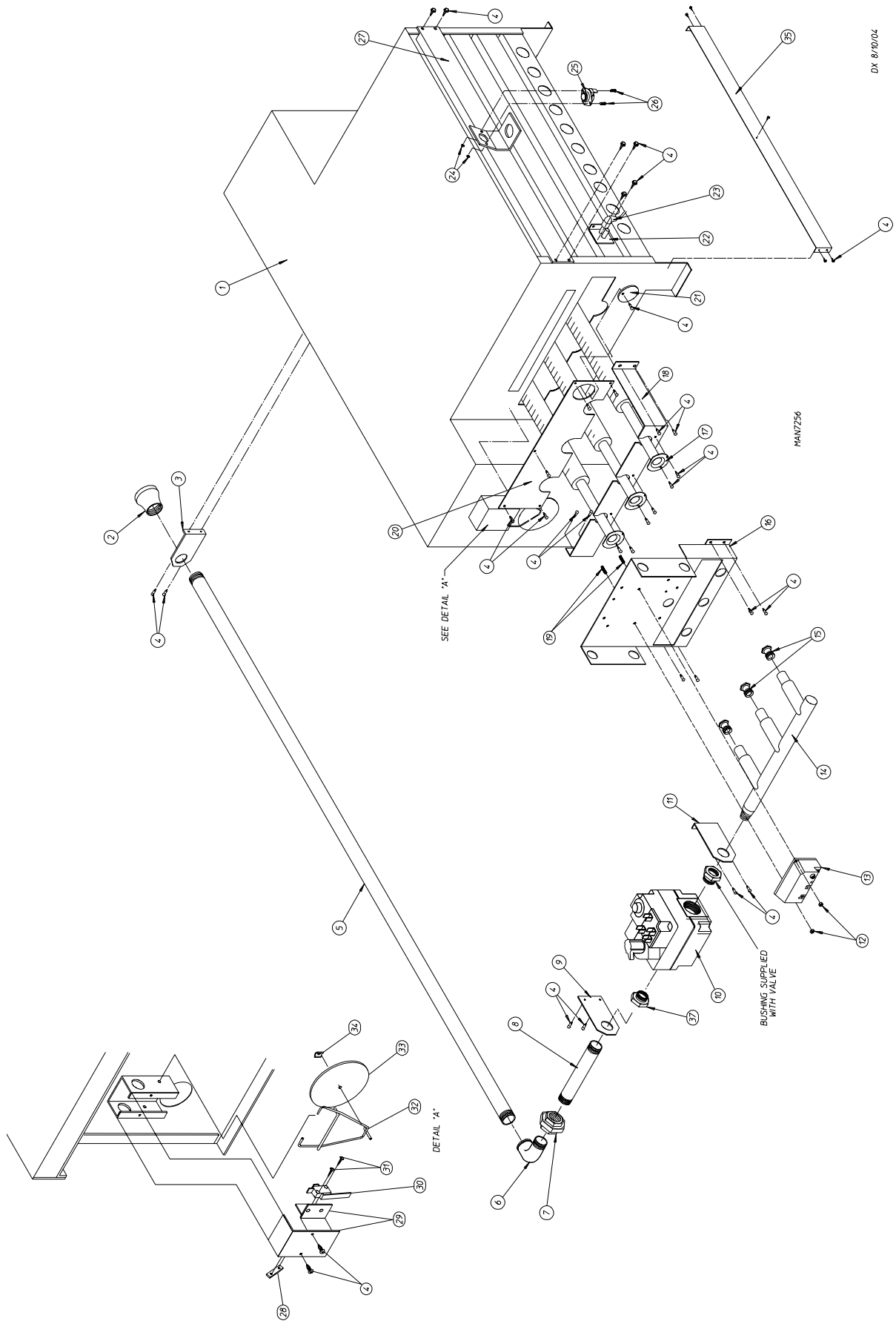


BY 5/16/03

Illus. No.	Part No.	Qty.	Description
1	100612	1	1-1/4" Bore x 15" Diameter x 6" Blower (fan) Wheel
2	821077	1	Fan Shaft Mount Assembly Complete (includes illus. nos. 1 through 21)
	821073	1	Fan Shaft Mount Only
3	117604	4'	Noise Suppression Tape (sold by the foot)
4	152006	2	1/2-20 Left Hand Jam Nut
5	153065	1	1-1/2" Flat Washer
6	332280	1	Fan Shaft Only
7	881061	1	1-3/8" Flange Bearing with Setscrew and Grease Fitting
8	153004	4	3/8" Flat Washer
9	153005	4	3/8" Lock Washer
10	152005	4	3/8-16 Hex Nut
11	100704	1	1/4" x 1/4" x 1-3/4" Key
12	100259	1	1-3/8" Pillow Block Bearing (griplock)
13	170511	2	1/8-27 N.P.T. ZIRC Grease Fitting Only
14	154321	4	5/16-24 x 3/8" Black Allen Setscrew
15	153004	2	3/8" Flat Washer
16	153005	2	3/8" Lock Washer
17	150600	2	3/8-16 x 1-1/2" Tap Bolt
18	101135	1	2B x 5.4 Pulley
19	100128*	2	BX-50 Cogged Belt (fan shaft to motor) for 60 Hz Models Only
	100164	2	BX-51 Cogged Belt (fan shaft to motor) for 50 Hz Models Only
20	100706	1	5/16" x 5/16" x 1-3/8" Key
21	101194	1	SDS x 1-3/8" Bushing Only

* Replace in matched sets (both belts).

STI-54 Direct Spark Ignition Gas Burner Assembly



DK 8/10/04

MANTZ56

SEE DETAIL 'A'

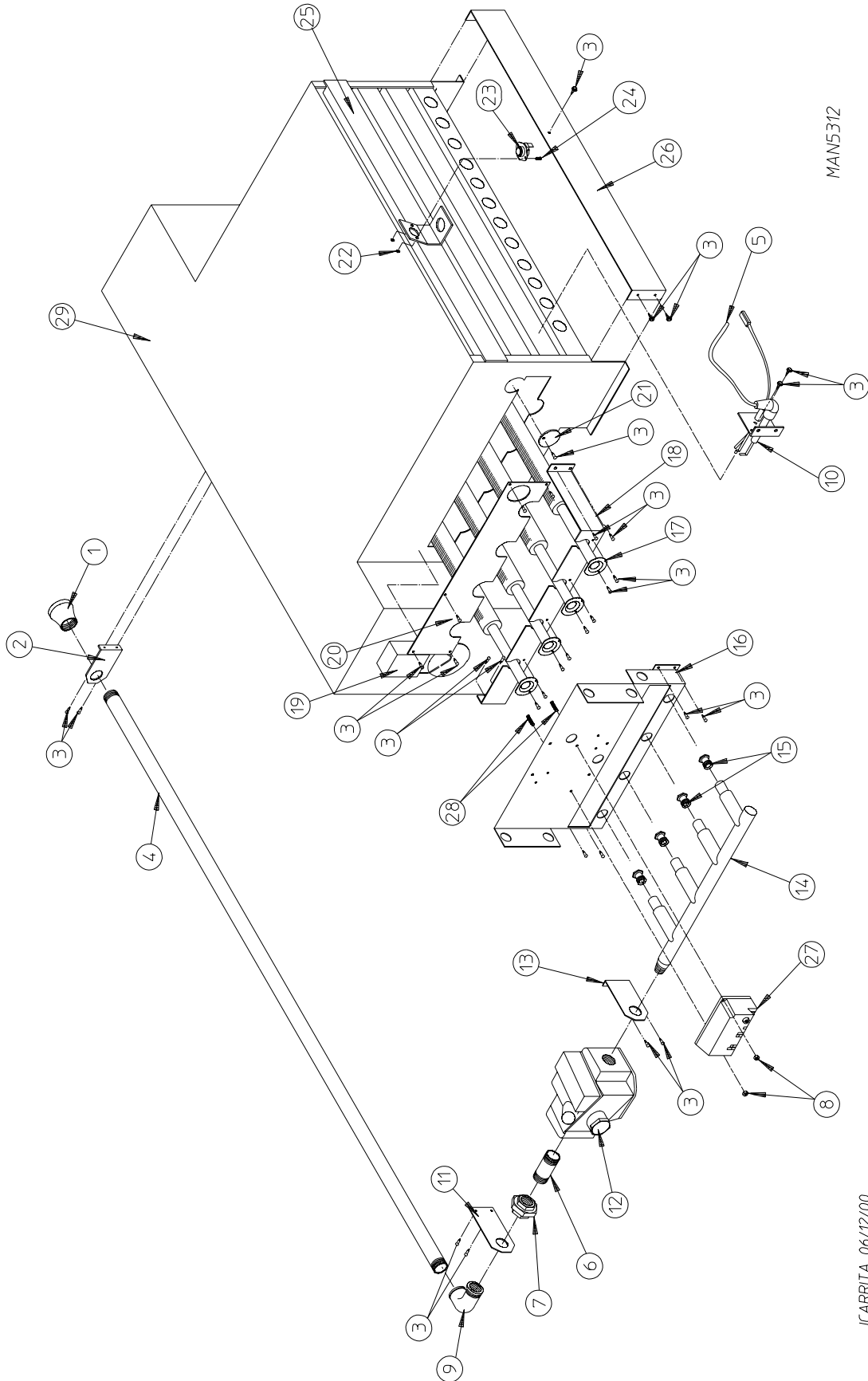
DETAIL 'A'

BUSHING SUPPLIED WITH VALVE

STI-54 Direct Spark Ignition Gas Burner Assembly

<u>Illus. No.</u>	<u>Part No.</u>	<u>Qty.</u>	<u>Description</u>
1	820201	1	Burner Box Only
2	142937	1	1" B.S.P.T. to 3/4" N.P.T. Reducing Coupling
3	331291	1	Pipe Bracket
4	150309	2	#10-16 x 1/2" Hex Head TEK Crimptite Screw
5	142807	1	3/4" x 40" Nipple
6	142854	1	3/4" x 3/4" Street Elbow
7	142601	1	3/4" Union
8	142710	1	3/4" x 4" Nipple
9	390125	1	Flat Gas Pipe Bracket
10	140028	1	1" x 1" 24V Gas Valve (natural gas)
	883902	1	1" x 1" 24V Gas Valve (liquid propane gas)
11	331088	1	Extended Pipe Bracket
12	152013	2	#6-32 Hex Nut
13	128937	1	Direct Spark Ignition (3 tries) with Data Label
14	141219	1	3-Port Manifold
15	140844	3	Burner Orifice
16	335031	1	Direct Spark Ignition Mount Manifold Support
17	141136	3	Burner Tube Only
18	331287	1	Burner Tube Support Only
19	153562	2	#6-32 x 3/4" Clinch Stud
20	331289	1	Burner Box Cover Plate
21	331290	1	Ignitor / Flame-Probe Sight Hole Disc
22	128915	1	Ignitor / Flame-Probe Assembly
23	128919	1	36" Ignitor Cable
24	151000	2	#6-32 Pal Nut
25	130201	1	330° Manual / Reset Hi-Limit
26	150001	2	#6-32 x 1/2" Phillips Round Head Machine Screw
27	821457	1	Hi-Limit Bracket
28	154004	1	Twin Speed Nut
29	802799	1	Sail Switch Cover and Bracket
30	122200	1	Sail Switch
31	150303	2	#4 x 3/4" Pan Head "A" Machine Screw
32	105500	1	Sail Switch Actuator Rod
33	319202	1	Sail Switch Damper
34	154002	1	1/8" Push-On Fastener
35	332256	1	Liquid Propane Burner Baffle
36	330970	3	Burner Tube Extension Tag ... Not Illustrated
	817211	1	Complete Natural Gas Burner Box Assembly (includes illus. nos. 1 through 34 and 37)
	884017	1	Complete Liquid Propane Gas Burner Box Assembly (includes illus. nos. 1 through 37)
37	142918	1	1" to 3/4" Reducing Bushing
	884187	1	Liquid Propane to Natural Gas Conversion Kit

STI-77 Direct Spark Ignition Burner Assembly



MAN5312

JCARRITA 06/12/00

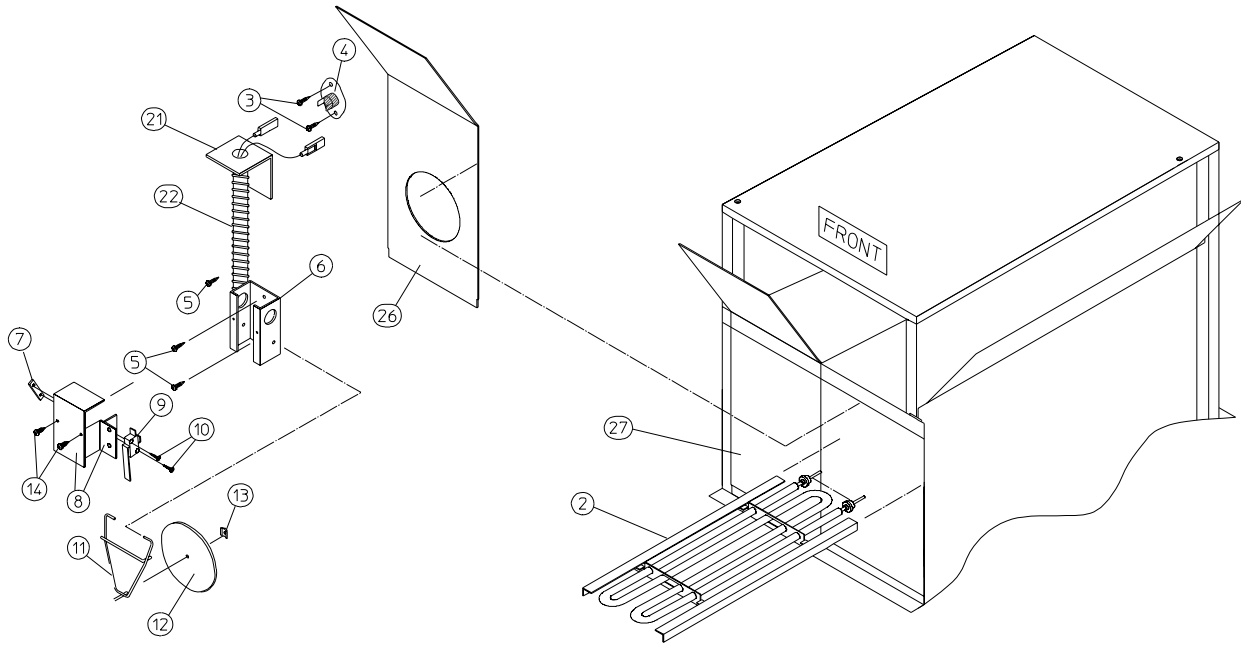
STI-77 Direct Spark Ignition Burner Assembly

<u>Illus. No.</u>	<u>Part No.</u>	<u>Qty.</u>	<u>Description</u>
1	142929	1	1-1/2" to 1" Reducing Coupling
2	332117	1	Pipe Bracket
3	150309	33	#10-16 x 1/2" Hex Head TEK Crimptite Screw
4	142583	1	1" x 40" Nipple
5	128919*	1	High Voltage Ignition Cable with Cap 36"
6	142808	1	1" x 3" Nipple
7	142602	1	1" Union
8	152013	2	#6-32 Hex Nut
9	142507	1	1" x 90° Street Elbow
10	128915	1	Direct Spark Ignition Ignitor
11	332487	1	Gas Pipe Bracket Straight Extended
12	140017	1	1" 24 VAC Redundant Gas Valve (natural gas)
	882945	1	1" 24 VAC Gas Valve (liquid propane gas)
13	332486	1	Gas Pipe Bracket Bent Extended
14	141240	1	4-Port Manifold Only
15	140839*	4	#2 Burner Orifice (natural gas)
	140820	4	#29 Burner Orifice (liquid propane gas)
16	390169	1	Direct Spark Ignition Mount Manifold Support
17	881492	4	Burner Tube Only
18	332121	1	Burner Tube Support Only
19	————	1	Sail Switch (refer to Sail Switch Assembly on page 44)
20	332113	1	Burner Box Cover Plate
21	331290	1	Ignitor / Flame-Probe Sight Hole Disc
22	151000	2	#6-32 Pal Nut
23	130201	1	330° Manual Reset Hi-Limit
24	150005	2	#6-32 x 1/4" Phillips Round Head Machine Screw
25	821457	1	Burner Hi-Limit Bracket
26	332256	1	Large Dryer Liquid Propane Burner Baffle (liquid propane models Only)
27	801048	1	Johnson Direct Spark Ignition Module (3 tries)
28	153562	2	#6-32 x 3/4" Clinch Stud
29	835037**	1	Burner Assembly (natural gas) Complete Less Orifice
	821960**	1	Burner Assembly (liquid propane gas) Complete Less Orifice
	820904	1	Burner Box Only
	880978	1	Liquid Propane Conversion Kit

* Consult factory for elevations over 2,000 feet.

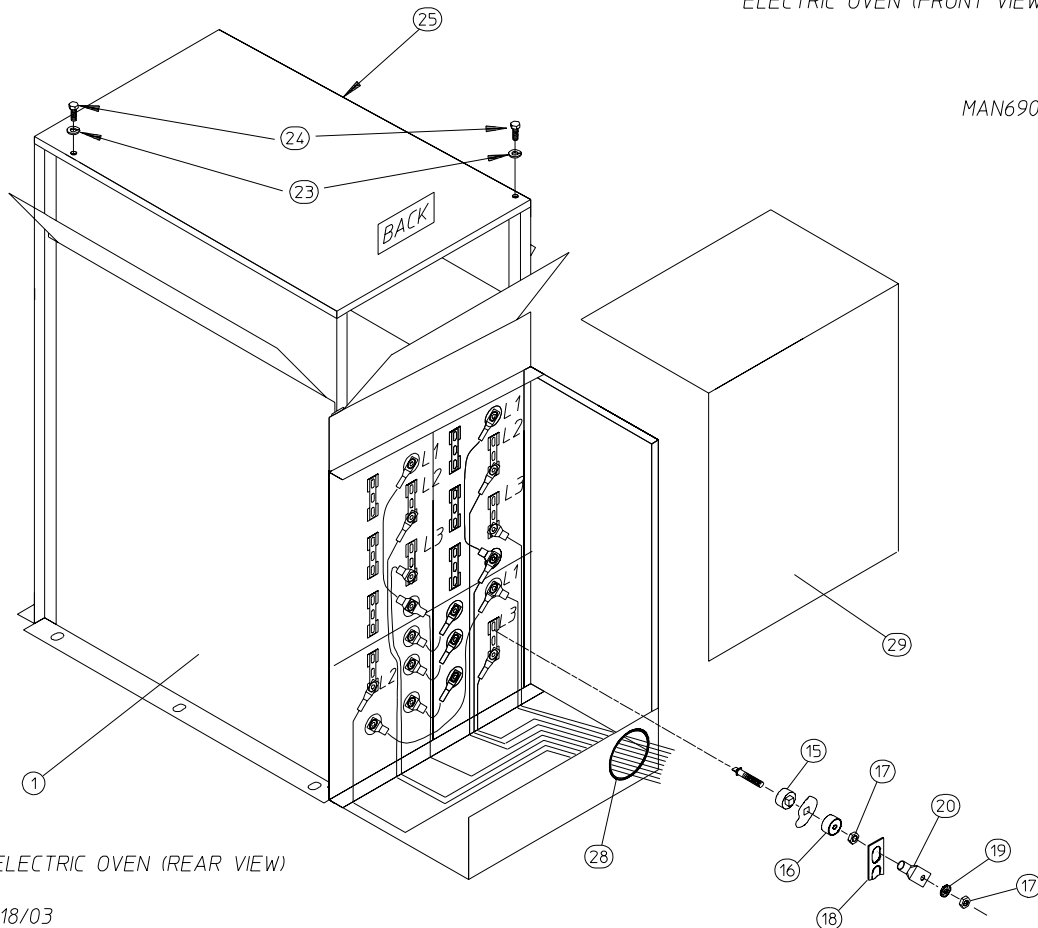
** Orifices are not included and must be ordered separately.

STI-54 Electric Oven Assembly



ELECTRIC OVEN (FRONT VIEW)

MAN6906



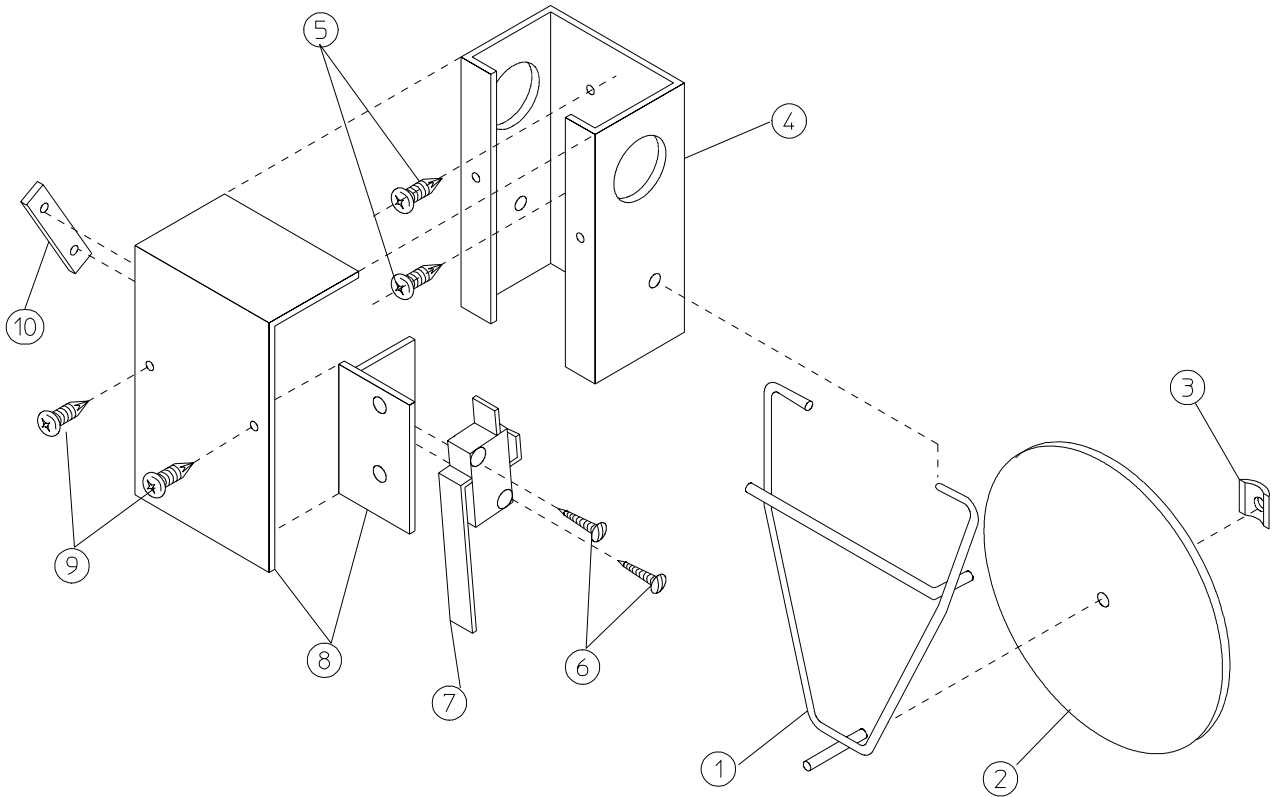
ELECTRIC OVEN (REAR VIEW)

MG 9/18/03

STI-54 Electric Oven Assembly

<u>Illus. No.</u>	<u>Part No.</u>	<u>Qty.</u>	<u>Description</u>
1	816103	1	Electric Oven Box Only
2	————	18	Oven Coil Element (refer to Electric Oven Component Application Charts on page 60)
3	150301	2	#8-18 x 7/16" Phillips Pan Head TEK Screw
4	130400	1	290° Hi-Limit Only
5	150309	4	#10-16 x 1/2" Hex Head TEK Crimptite Screw
6	319200	1	Sail Switch Box
7	154004	1	Twin Speed Nut
8	802799	1	Sail Switch Box Cover
9	122200	1	Sail Switch Only
10	150303	2	#4 x 3/4" Pan Head "A" Machine Screw
11	105500	1	Sail Switch Actuator Rod
12	319202	1	Sail Switch Damper (flat)
13	154002	1	1/8" Push-On Fastener
14	150309	8	#10-16 x 1/2" Hex Head TEK Crimptite Screw
15	120081	36	Internal Ceramic Insulator
16	120080	36	External Ceramic Insulator
17	152008	72	#10-32 Hex Nut
18	121011	3'	Bus Bar (sold by the foot)
19	153009	36	#10 Star Washer
20	133100	21	#8 Rock Therm Connector
21	353222	1	Pipe Bracket
22	802760	1	Hi-Limit and Sail Switch Harness
23	153007	2	1/4" Lock Washer
24	150512	2	1/4-20 x 1/2" Long Bolt
25	819961	1	Burner Cover Assembly
26	331278	1	Right Front Oven Panel
27	331276	1	Left Front Oven Panel
28	156001	1	Caterpillar Crommet
29	331279	1	Oven Electrical Cover
	884016	1	Complete Electric Oven Assembly (includes illus. nos. 1 through 29)

STI-54 / STI-77 Sail Switch Assembly

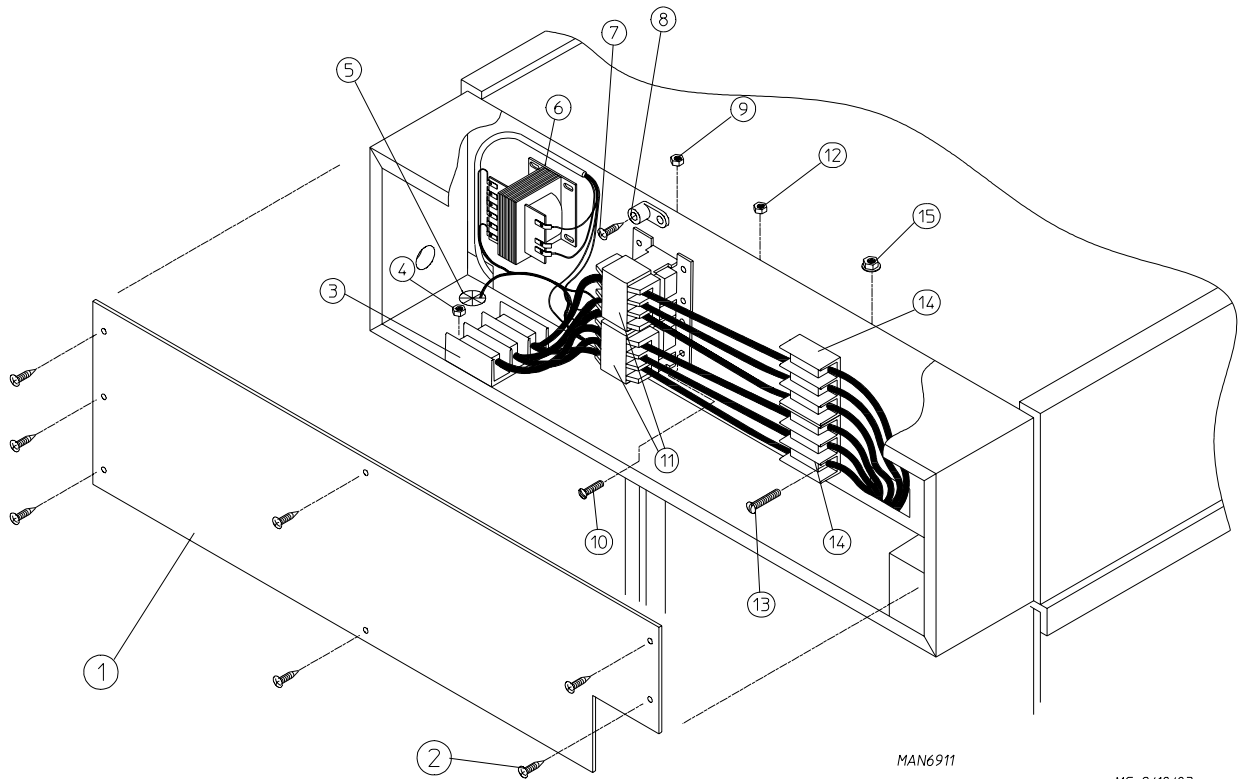


MAN0440

<u>Illus. No.</u>	<u>Part No.</u>	<u>Qty.</u>	<u>Description</u>
1	105500	1	Sail Switch Actuator Rod
2	319202	1	Sail Switch Damper (flat)
3	154002	1	1/8" Push-On Fastener
4	802800	1	Sail Switch Box Cover and Bracket Only
	802801	1	Sail Switch Box Assembly Complete (includes illus. nos. 1 through 4 and 6 through 10)
5	150309	2	#10-16 x 1/2" Hex Head TEK Crimptite Screw
6	150303	2	#4 x 3/4" Pan Head "A" Machine Screw
7	122200	1	Sail Switch Only
8	802799	1	Sail Switch Box Cover and Bracket Only
9	150309	2	#10-16 x 1/2" Phillips Round Head Screw
10	154004	1	Twin Speed Nut

STI-54 Electric Oven Relay Box Assembly

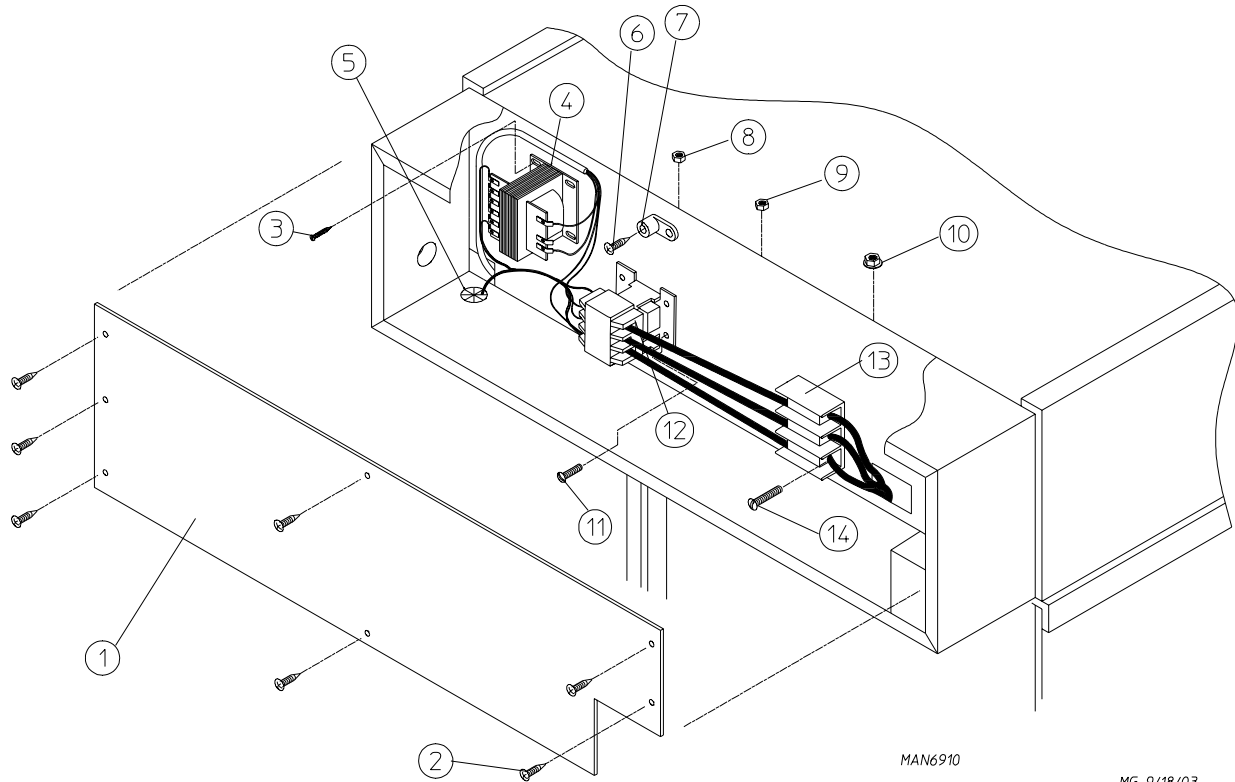
For 208-240V (3Ø) 50/60 Hz Models Only



<u>Illus. No.</u>	<u>Part No.</u>	<u>Qty.</u>	<u>Description</u>
1	331328	1	Electric Oven Relay Box Cover
2	150301	12	#8-18 x 7/16" Phillips Pan Head TEK Screw
3	120710	1	Power Distribution Block
4	151001	2	#8-32 Pal Nut
5	121400	2	Universal Bushing
6	132004	1	Transformer
7	150108	3	#8-32 x 1/2" Pan Head Machine Screw
8	121010	1	L-70 Terminal Lug
9	151001	1	#8-32 Pal Nut
10	150108	1	#8-32 x 1/2" Pan Head Machine Screw
11	884133	2	120-amp 24V Contactor
12	151001	3	#8-32 Pal Nut
13	150521	2	1/4-20 x 2" Carriage Bolt
14	120706	1	Power Distribution Block
15	152014	2	1/4-20 Free Spin Wash Nut

STI-54 Electric Oven Relay Box Assembly

For 380-416/480V (3Ø) 50/60 Hz Models Only

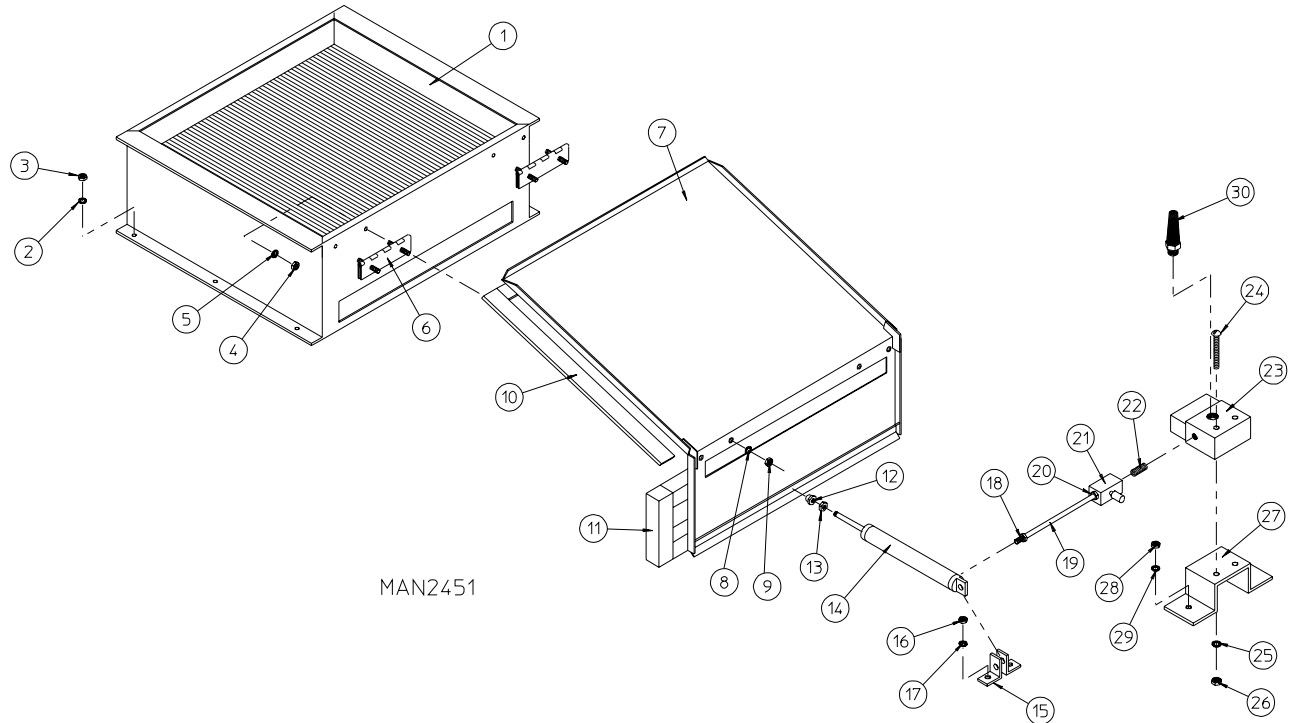


MAN6910

MG 9/18/03

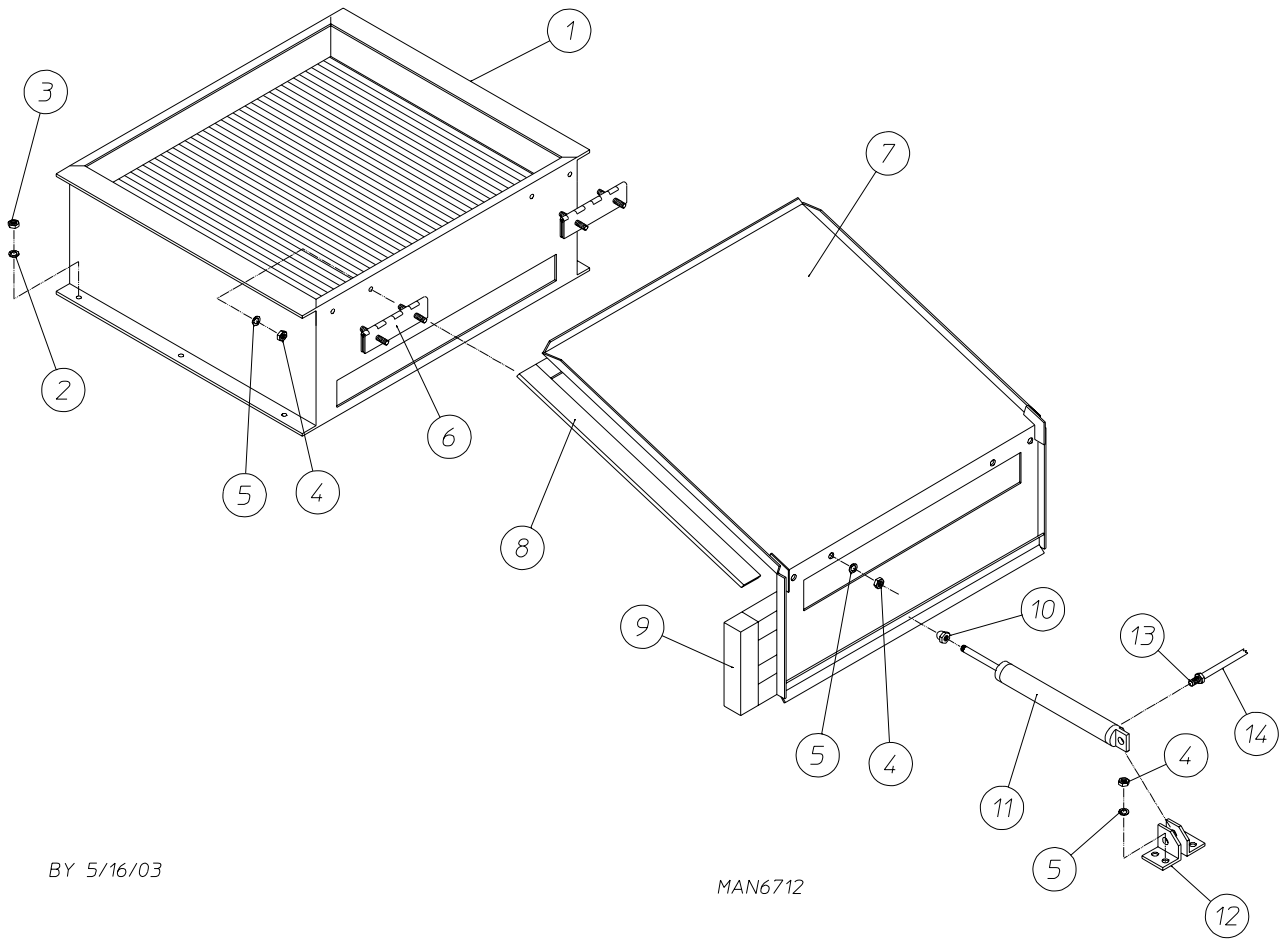
<u>Illus. No.</u>	<u>Part No.</u>	<u>Qty.</u>	<u>Description</u>
1	331328	1	Electric Oven Relay Box Cover
2	150301	12	#8-18 x 7/16" Phillips Pan Head TEK Screw
3	150300	3	#10 x 1/2" Hex Washer TEK Screw
4	132004	1	Transformer (for all electric models – 380V through 480V)
5	121400	2	Universal Bushing
6	150108	3	#8-32 x 1/2" Pan Head Machine Screw
7	121010	1	L-70 Terminal Lug
8	151001	1	#8-32 Pal Nut
9	151001	3	#8-32 Pal Nut
10	152014	2	1/4-20 Free Spin Wash Nut
11	150108	1	#8-32 x 1/2" Pan Head Machine Screw
12	884129	1	120-amp 24V Contactor
13	120706	1	Power Distribution Block
14	150501	2	1/4-20 x 2" Carriage Bolt

STI-54 Steam Damper Assembly



<u>Illus. No.</u>	<u>Part No.</u>	<u>Qty.</u>	<u>Description</u>
1	165012	1	Steam Coil Assembly
	165019	1	Steel Steam Coil Assembly (option)
2	153002	6	5/16" Lock Washer
3	152004	6	5/16-18 Hex Nut
4	152002	4	1/4-20 Hex Nut
5	153007	4	1/4" Lock Washer
6	820321	2	Steam Damper Hinge Assembly
7	803415	1	Steam Damper Assembly (includes illus. nos. 7, 10, and 11)
8	153007	4	1/4" Lock Washer
9	152002	4	1/4-20 Hex Nut
10	115995	108"	Steam Damper Gasket (sold by the inch)
11	102350	1	Gasket (68-1/2" length)
12	151007	1	7/16-20 Stainless Steel Acorn Nut
13	152007	1	7/16-20 Hex Nut
14	100499	1	1-1/4" Bore x 3" Stroke Piston
15	100500	1	Piston Support Bracket
16	152002	4	1/4-20 Hex Nut
17	153007	4	1/4" Lock Washer
18	100472	1	1/4" x 1/8" Connector
19	143110	1'	1/4" Tubing (sold by the foot)
20	100472	1	1/4" x 1/8" Connector
21	100496	1	1/8" Needle Valve
22	143238	1	1/8" Close Nipple
23	100498	1	3-Way Micro Valve – 24V
24	150002	2	#6-32 x 1" Round Head Machine Screw
25	153010	2	#6 Star Washer
26	152000	2	#6-32 Hex Nut
27	330987	1	Micro Valve Support Bracket
28	152002	2	1/4-20 Hex Nut
29	153007	2	1/4" Lock Washer
30	100520	1	1/8" N.P.T. Silencer (muffler)

STI-77 Steam Damper Assembly



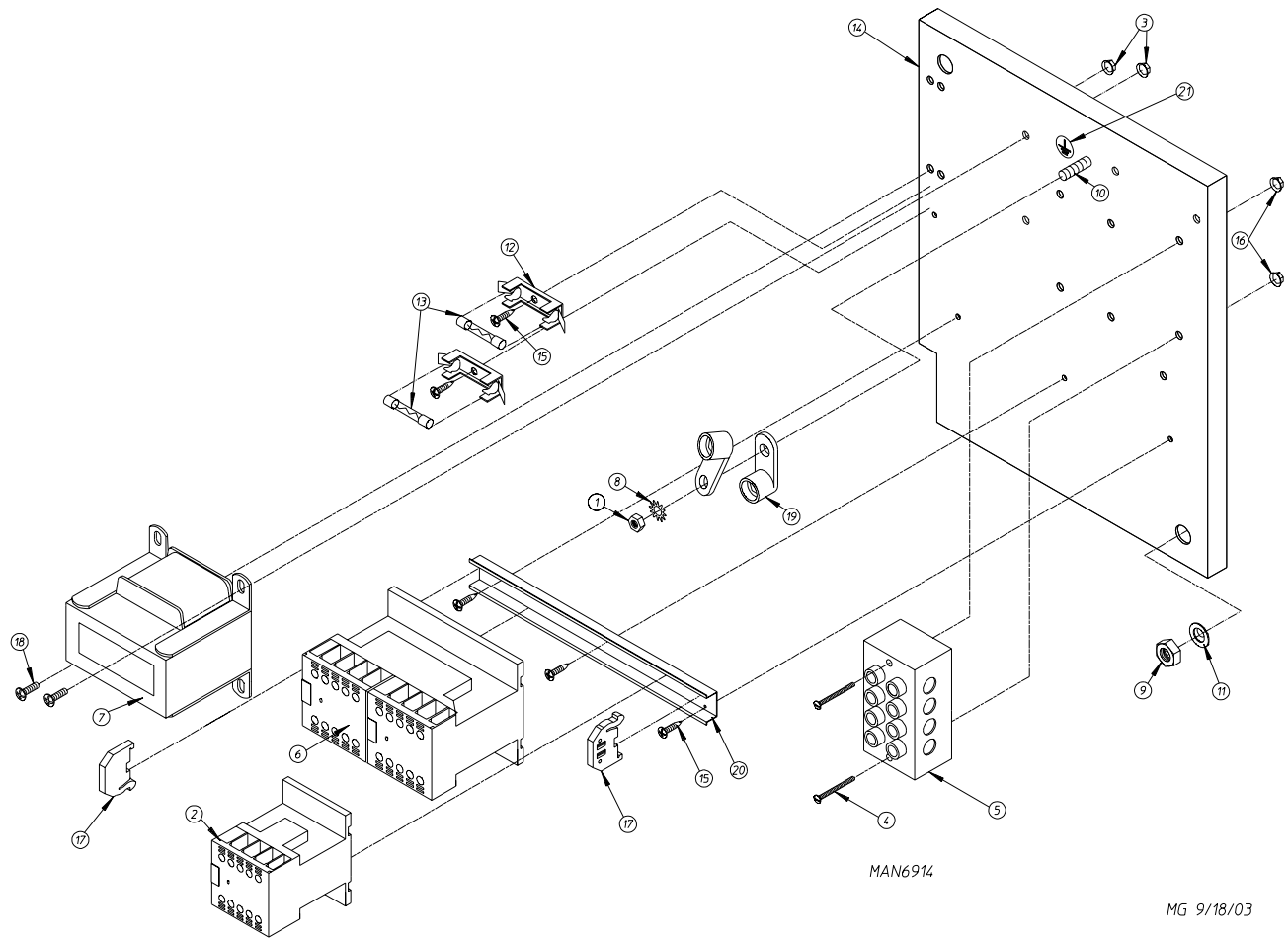
BY 5/16/03

MAN6712

<u>Illus. No.</u>	<u>Part No.</u>	<u>Qty.</u>	<u>Description</u>
1	165017	1	Steam Coil Only
2	153002	6	5/16" Lock Washer
3	152004	6	5/16-18 Hex Nut
4	152005	26	3/8-16 Hex Nut
5	153007	26	1/4" Lock Washer
6	820321	2	Steam Damper Hinge Assembly
7	820994	1	Steam Damper Assembly (includes illus. nos. 7, 10, and 11)
8	115995	96"	Steam Damper Gasket (sold by the inch)
9	102350	2	Steam Damper Foam (68-1/2" length)
10	151007	1	7/16-20 Stainless Steel Acorn Nut
11	100499	1	1-1/2" Bore x 3" Stroke Piston
12	100500	1	Piston Support Bracket
13	100472	1	1/4" x 1/8" Connector
14	143110	1'	1/4" Tubing (sold by the foot) (refer to Top Console Assembly on page 56)

STI-54 Reversing Relay Panel Assembly

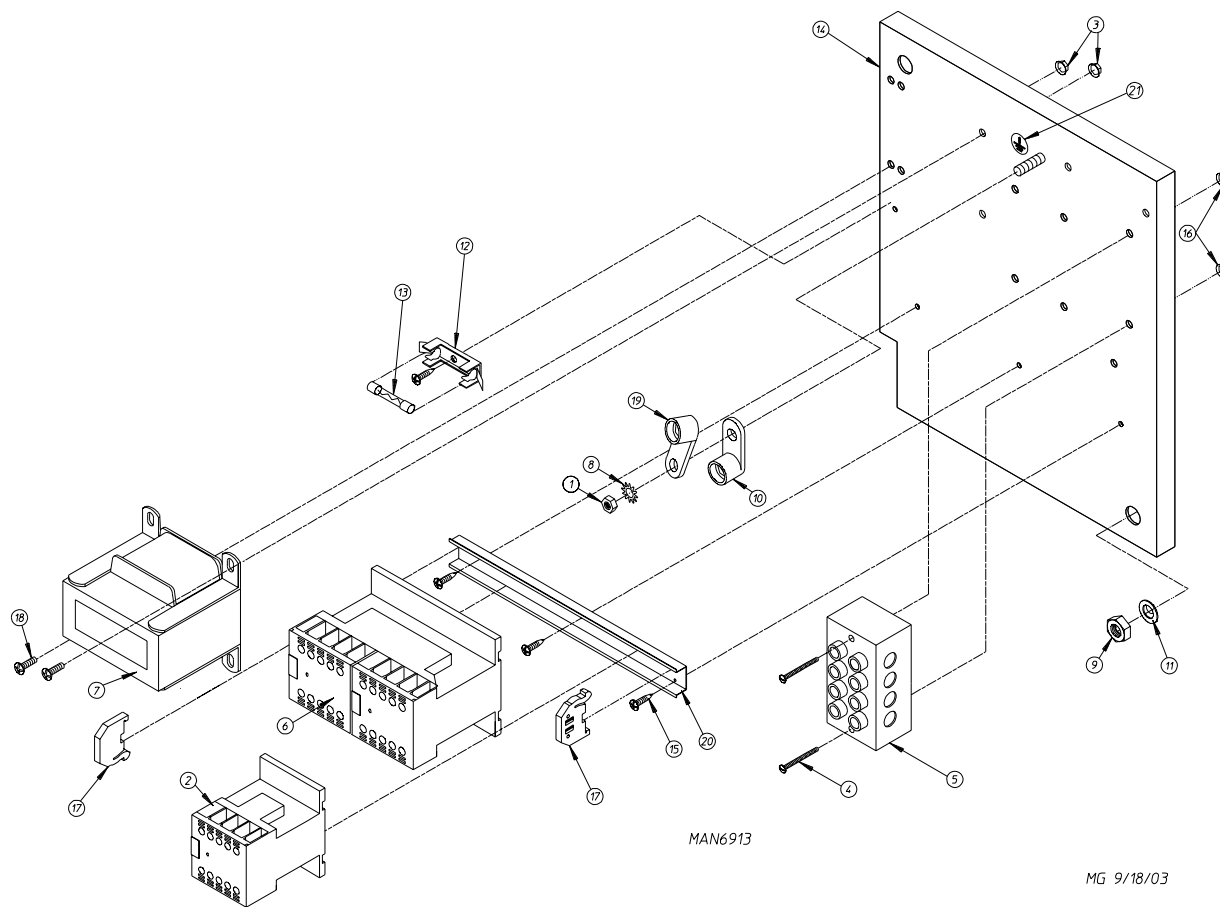
For 208-240V Gas and Steam Models Only



Illus. No.	Part No.	Qty.	Description
1	152002	1	1/4-20 Hex Nut
2	132514	1	3-Phase (3 ϕ) Contactor with Arc Suppressor
3	151001	2	#8-32 Pal Nut
4	150009	2	#6-32 x 1-1/2" Slotted Round Head Machine Screw
5	120701	1	4-Position Power Distribution Block
6	132497	1	Reversing Contactor with Arc Suppressor
7	822764	1	208-240V Transformer Assembly
8	153021	1	1/4" Exterior / Interior Shakeproof Washer
9	152004	2	5/16-18 Hex Nut
10	153525	2	1/4-20 x 1" Self-Clinching Stud
11	153002	2	5/16" Lock Washer
12	136008	2	Fuse Block / Strip Holder Only
13	136057	2	1/2-amp (Slo-Blo) Fuse
14	332346	1	Relay Panel
15	150301	4	#8-18 x 7/16" Phillips Pan Head TEK Screw
16	151000	2	#6-32 Pal Nut
17	120774	2	End Stop for Din 35 Rail
18	150108	2	#8-32 x 1/2" Pan Head Machine Screw
19	121010	1	L-70 14-4 Terminal Lug
20	120768	7-3/4"	35 x 15 mm Din Rail
21	112075	1	Ground Label
	884013	1	Complete Reversing Relay Panel Assembly (includes illus. nos. 1 through 21)

STI-54 Reversing Relay Panel Assembly

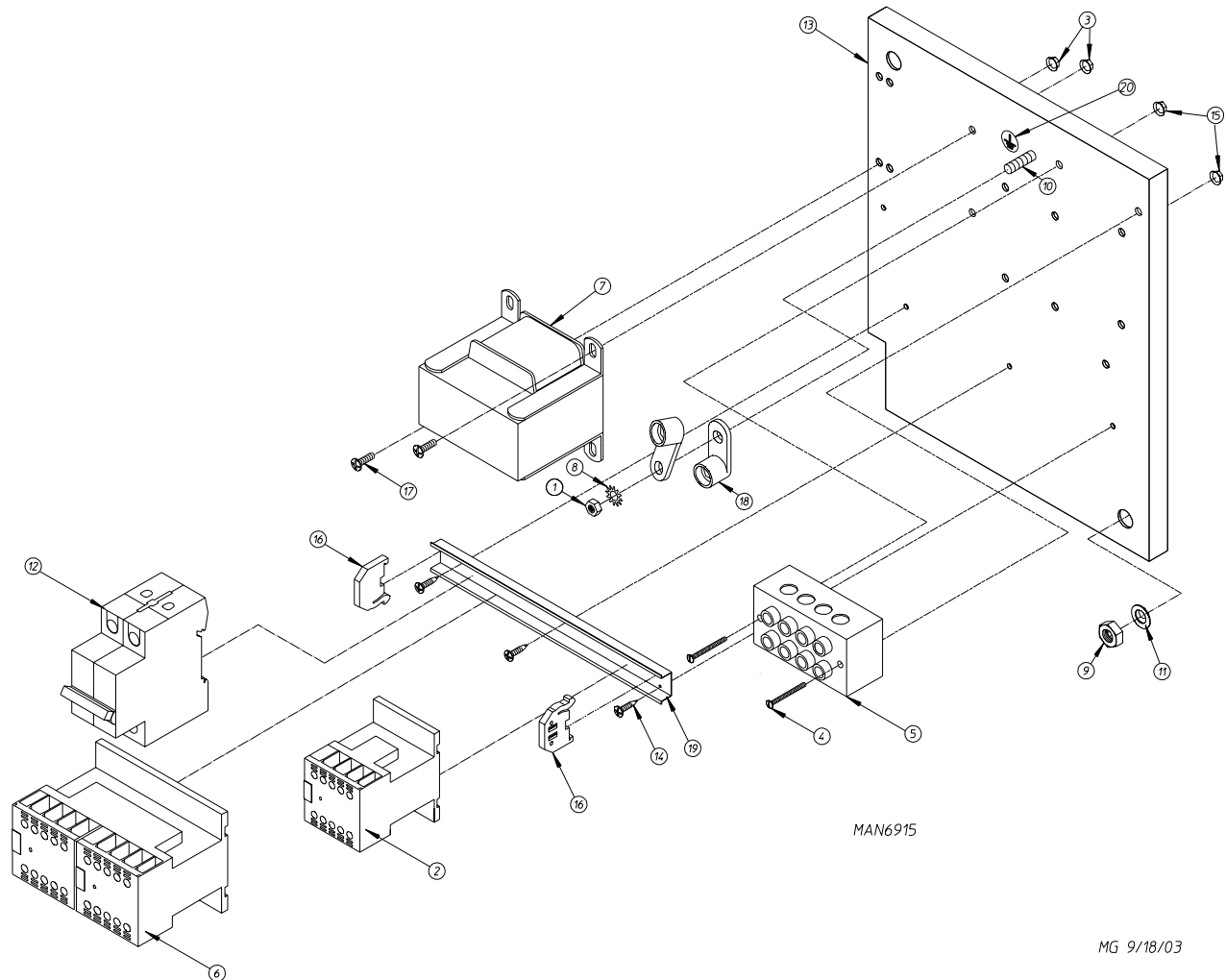
For 380/400V Gas and Steam Models Only



Illus. No.	Part No.	Qty.	Description
1	152002	1	1/4-20 Hex Nut
2	132514	1	3-Phase (3 ϕ) Contactor with Arc Suppressor
3	151001	2	#8-32 Pal Nut
4	150009	2	#6-32 x 1-1/2" Slotted Round Head Machine Screw
5	120701	1	4-Position Power Distribution Block
6	132497	1	Reversing Contactor with Arc Suppressor
7	830211	1	380-400V Transformer Assembly
8	153021	1	1/4" Exterior / Interior Shakeproof Washer
9	152004	1	5/16-18 Hex Nut
10	121012	1	Ground Lug
11	153002	1	5/16" Lock Washer
12	136008	1	Fuse Holder
13	136057	1	1/2-amp (Slo-Blo) Fuse
14	332346	1	Relay Panel
15	150301	4	#8-18 x 7/16" Phillips Pan Head TEK Screw
16	151000	2	#6-32 Pal Nut
17	120774	2	End Stop for Din 35 Rail
18	150108	2	#8-32 x 1/2" Pan Head Machine Screw
19	121010	1	L-70 Ground Lug
20	120768	7-3/4"	35 x 15 mm Din Rail
21	112075	1	Ground Label
	884014	1	Reversing Relay Panel Assembly Complete (includes illus. nos. 1 through 21)

STI-54 Reversing Relay Panel Assembly

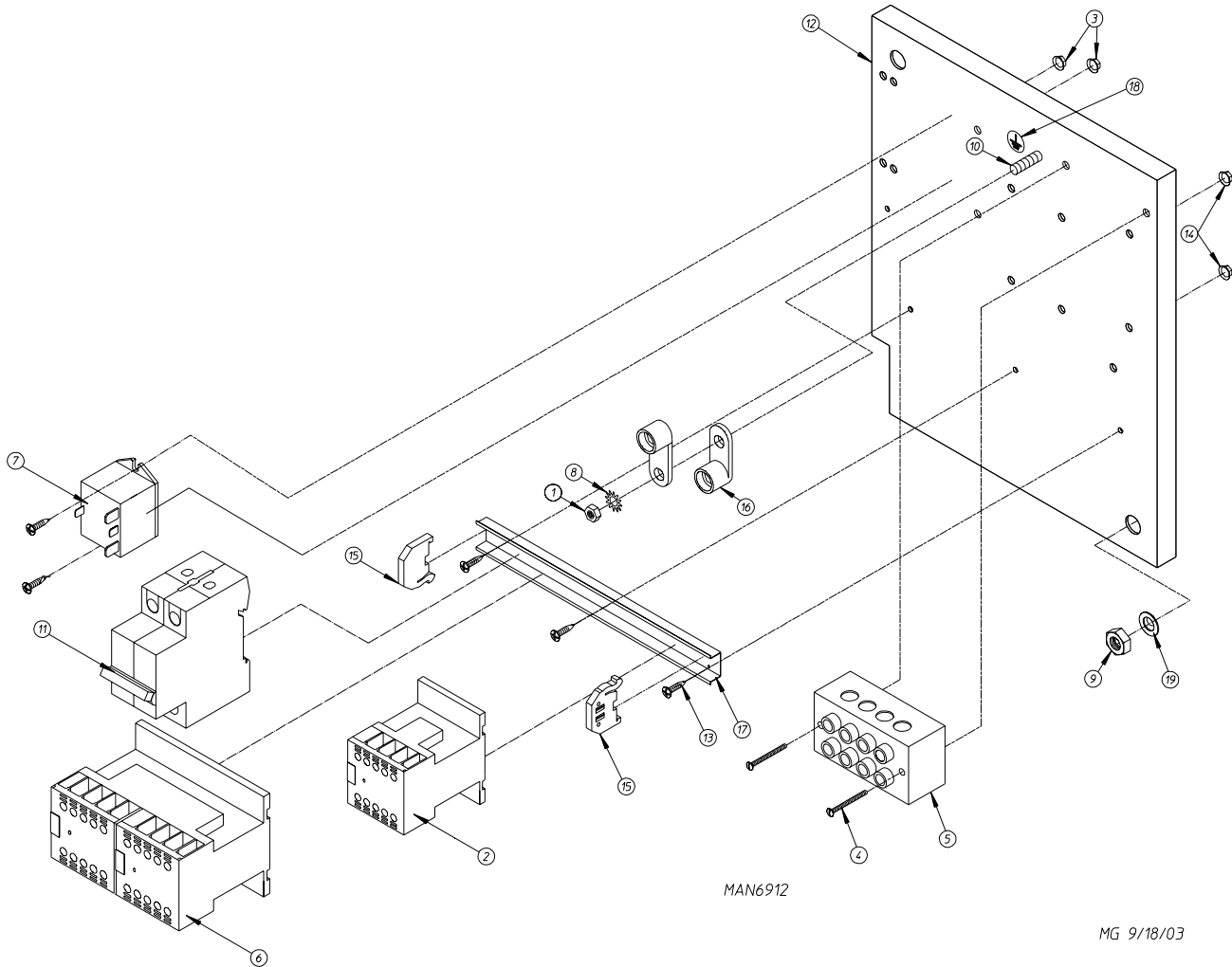
For 460/480V Gas and Steam Models Only



Illus. No.	Part No.	Qty.	Description
1	152002	1	1/4-20 Hex Nut
2	132514	1	3-Phase (3 ϕ) Contactor with Arc Suppressor
3	151001	2	#8-32 Pal Nut
4	150009	2	#6-32 x 1-1/2" Slotted Round Head Machine Screw
5	120701	1	4-Position Power Distribution Block
6	132497	1	Reversing Contactor with Arc Suppressor
7	830226	1	460-480V Transformer Assembly
8	153021	1	1/4" Exterior / Interior Shakeproof Washer
9	152004	2	5/16-18 Hex Nut
10	153525	1	1/2-20 x 1" Self-Clinching Stud
11	153002	2	5/16" Lock Washer
12	135501	1	Double-Pole 1-amp Circuit Breaker
13	332346	1	Relay Panel
14	150301	4	#8-18 x 7/16" Phillips Pan Head TEK Screw
15	151000	2	#6-32 Pal Nut
16	120774	2	End Stop for Din 35 Rail
17	150108	2	#8-32 x 1/2" Phillips Pan Head Machine Screw
18	121010	1	L-70 Ground Lug
19	120768	8-1/4"	35 x 15 mm Din Rail
20	112075	1	Ground Label
	884015	1	Complete Reversing Relay Panel Assembly (includes illus. nos. 1 through 20)

STI-54 Reversing Relay Panel Assembly

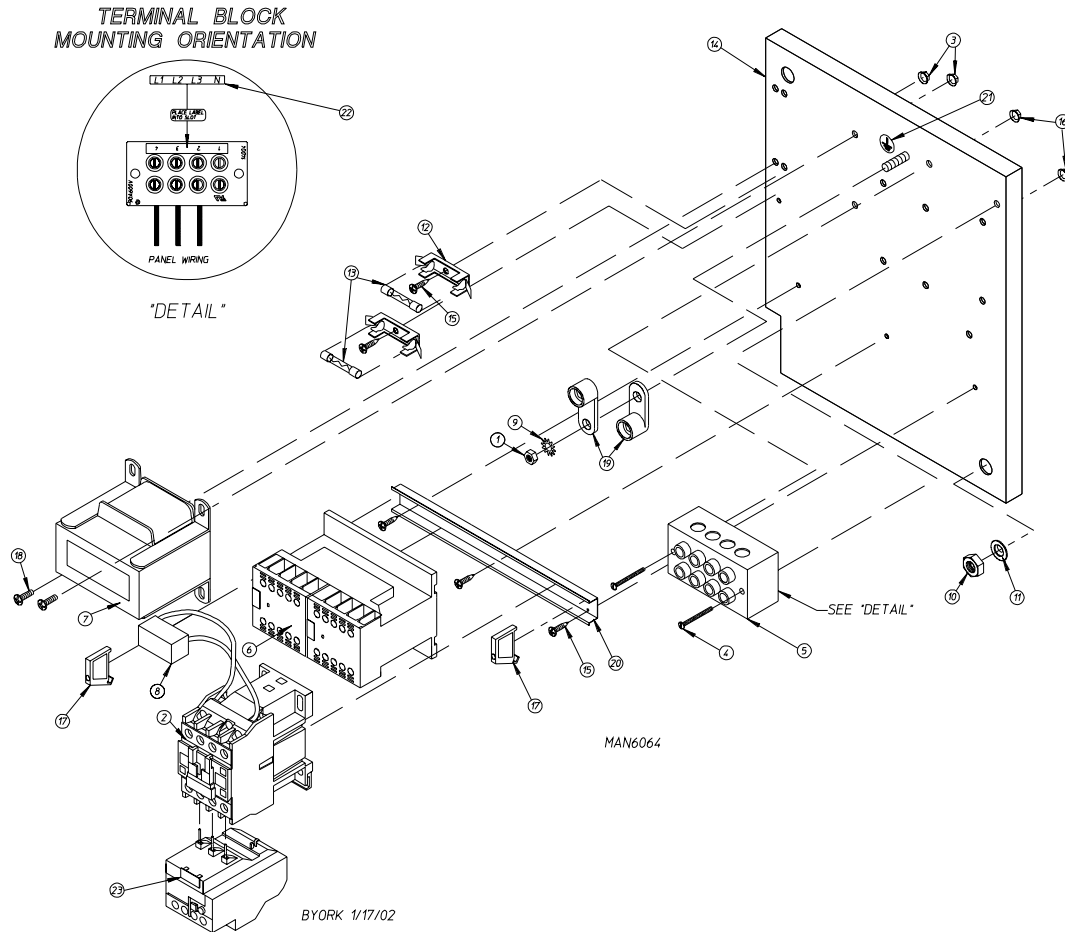
For Electric Models Only



Illus. No.	Part No.	Qty.	Description
1	152002	1	1/4-20 Hex Nut
2	132514	1	3-Phase (3 ϕ) Contactor with Arc Suppressor
3	151001	2	#8-32 Pal Nut
4	150009	2	#6-32 x 1-1/2" Phillips Pan Head Machine Screw
5	120701	1	4-Position Terminal Block
6	132497	1	Reversing Contactor with Arc Suppressor
7	131932	1	Relay
8	153021	1	1/4" Exterior / Interior Shakeproof Washer
9	152004	1	5/16-18 Hex Nut
10	153525	2	1/4-20 x 1" Self-Clinching Stud
11	135501	1	Double-Pole Circuit Breaker
12	332346	1	Relay Panel
13	150301	7	#8-18 x 7/16" Phillips Head TEK Screw
14	151000	2	#6-32 Pal Nut
15	120774	2	End Stop for Din 35 Rail
16	121010	2	L70 Terminal Lug
17	120768	7-3/4"	35 x 15 mm Din Rail
18	112075	1	Ground Label
19	153002	2	5/16" Lock Washer
	884012	1	Complete Reversing Relay Panel Assembly (includes illus. nos. 1 through 19)

STI-77 Microprocessor Reversing Contactor Mounting Panel Assembly

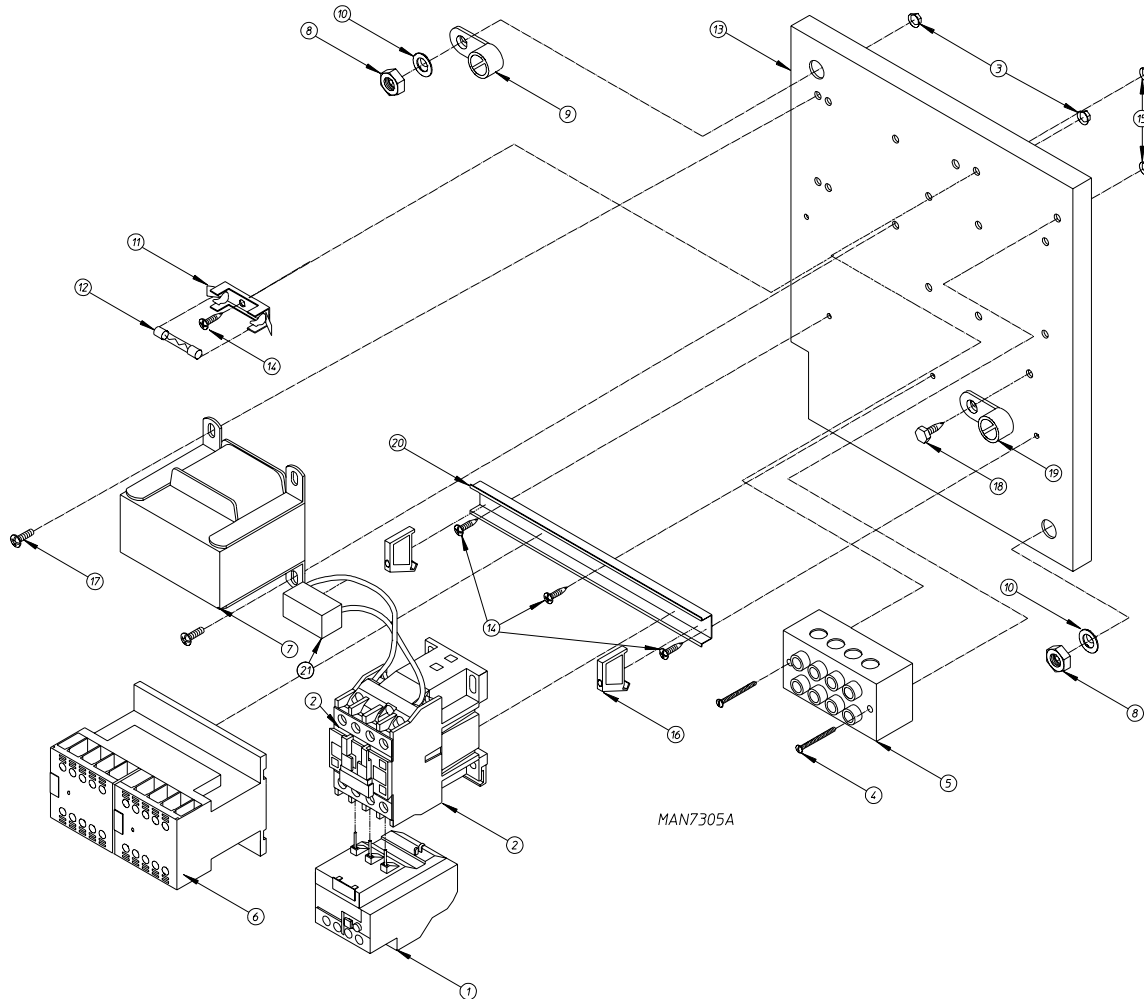
For 208-240V Transformers



Illus. No.	Part No.	Qty.	Description
1	152002	1	1/4-20 Hex Nut
2	132465	1	10 hp Contactor – 24 VAC
3	151001	2	#8-32 Pal Nut
4	150009	2	#6-32 x 1-1/4" Phillips Round Head Machine Screw
5	120701	1	4-Position Power Distribution Block
6	132497	1	Reversing Contactor – 24 VAC
7	822745	1	208-240V Transformer Assembly
8	137015	1	Arc Suppressor
9	153021	1	1/4" Exterior / Interior Shakeproof Washer
10	152004	1	5/16-18 Hex Nut
11	153002	1	5/16" Lock Washer
12	136008	2	Fuse Block / Holder
13	136057	2	1/2-amp (Slo-Blo) Fuse
14	332346	1	Contactor / Relay Mounting Panel Only
15	150301	5	#8-18 x 7/16" Phillips Pan Head TEK Screw
16	151000	2	#6-32 Pal Nut
17	120765	2	End Stop / Bracket
18	150108	2	#8-32 x 1/2" Pan Head Machine Screw
19	121010	2	L-70 Ground Lug
20	120768	7-3/4"	Din Mounting Rail (sold by the inch)
21	112075	1	Ground Label
22	112068	1	3-Phase (3∅) Power Input Label
23	132439	1	Overload
—	825267	1	Contactor Wiring ... Not Illustrated
—	829053	1	Relay Panel Wiring ... Not Illustrated

STI-77 Microprocessor Reversing Contactor Mounting Panel Assembly

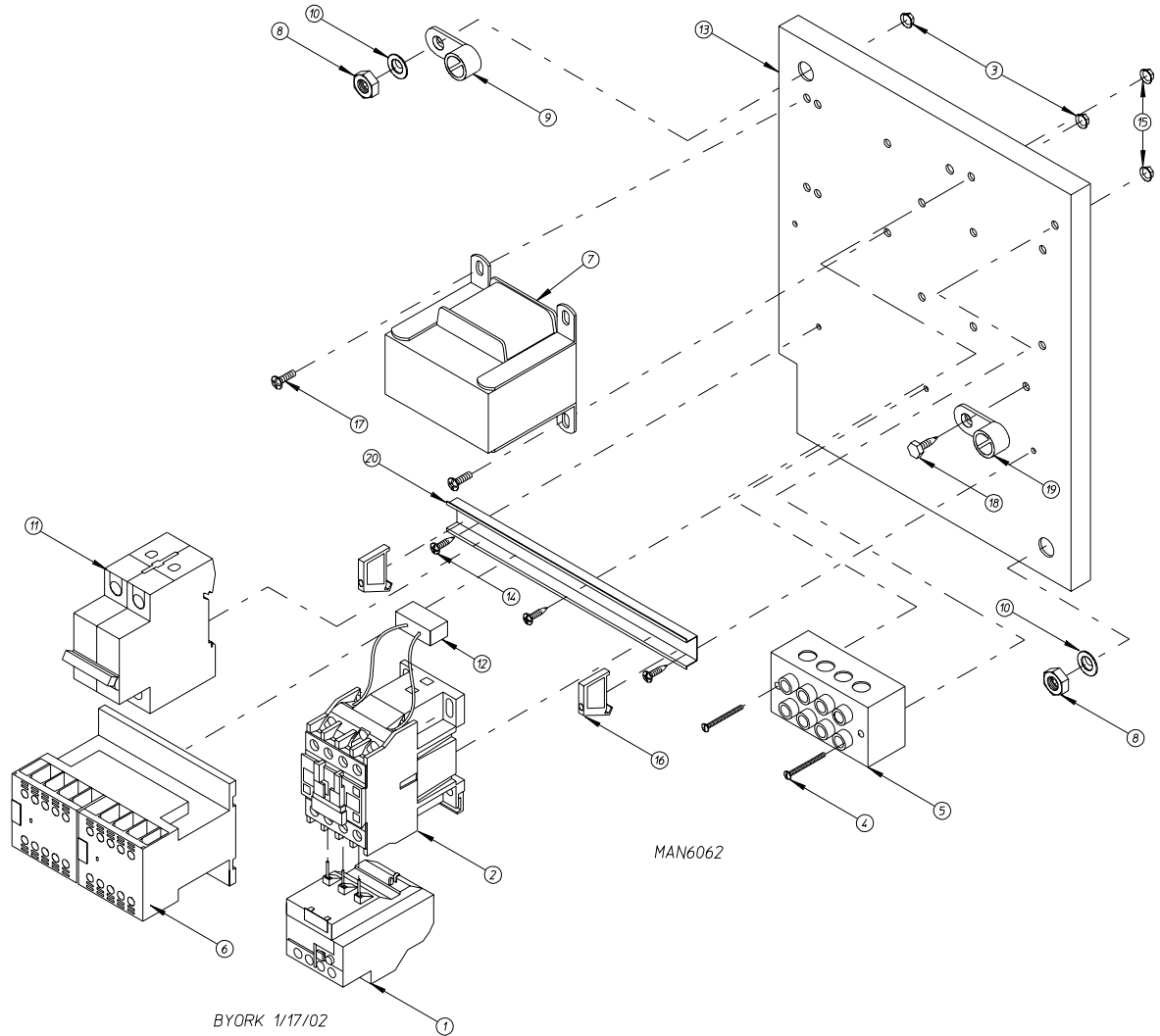
For 380-416V Transformers



Illus. No.	Part No.	Qty.	Description
1	132467	1	9-13-amp Overload
2	132465	1	10 hp Contactor – 24 VAC
3	151001	2	#8-32 Pal Nut
4	150009	2	#6-32 x 1-1/2" Phillips Round Head Machine Screw
5	120701	1	4-Position Power Distribution Block
6	132497	1	"Kline" Reversing Contactor
7	801580	1	Transformer (380-416V / 3 ϕ)
8	152004	2	5/16-18 Hex Nut
9	121012	1	Ground Lug
10	153002	2	5/16" Lock Washer
11	136008	1	Fuse Block / Holder
12	136057	1	1/2-amp (Slo-Blo) Fuse
13	332346	1	Contacting / Relay Mounting Panel Only
14	150301	4	#8-18 x 7/16" Phillips Pan Head TEK Screw
15	151000	2	#6-32 Pal Nut
16	120765	2	End Stop / Bracket
17	150108	2	#8-32 x 1/2" Pan Head Machine Screw
18	150297	1	#10 x 1/2" Hex Washer TEK Screw
19	121010	1	L-70 Ground Lug
20	120768	7-3/4"	Din Mounting Rail (sold by the inch)
—	830180	1	Relay Panel Wiring ... Not Illustrated
—	825267	1	Drive / Blower Motor Contactor Wiring ... Not Illustrated
21	137015	1	Arc Suppressor

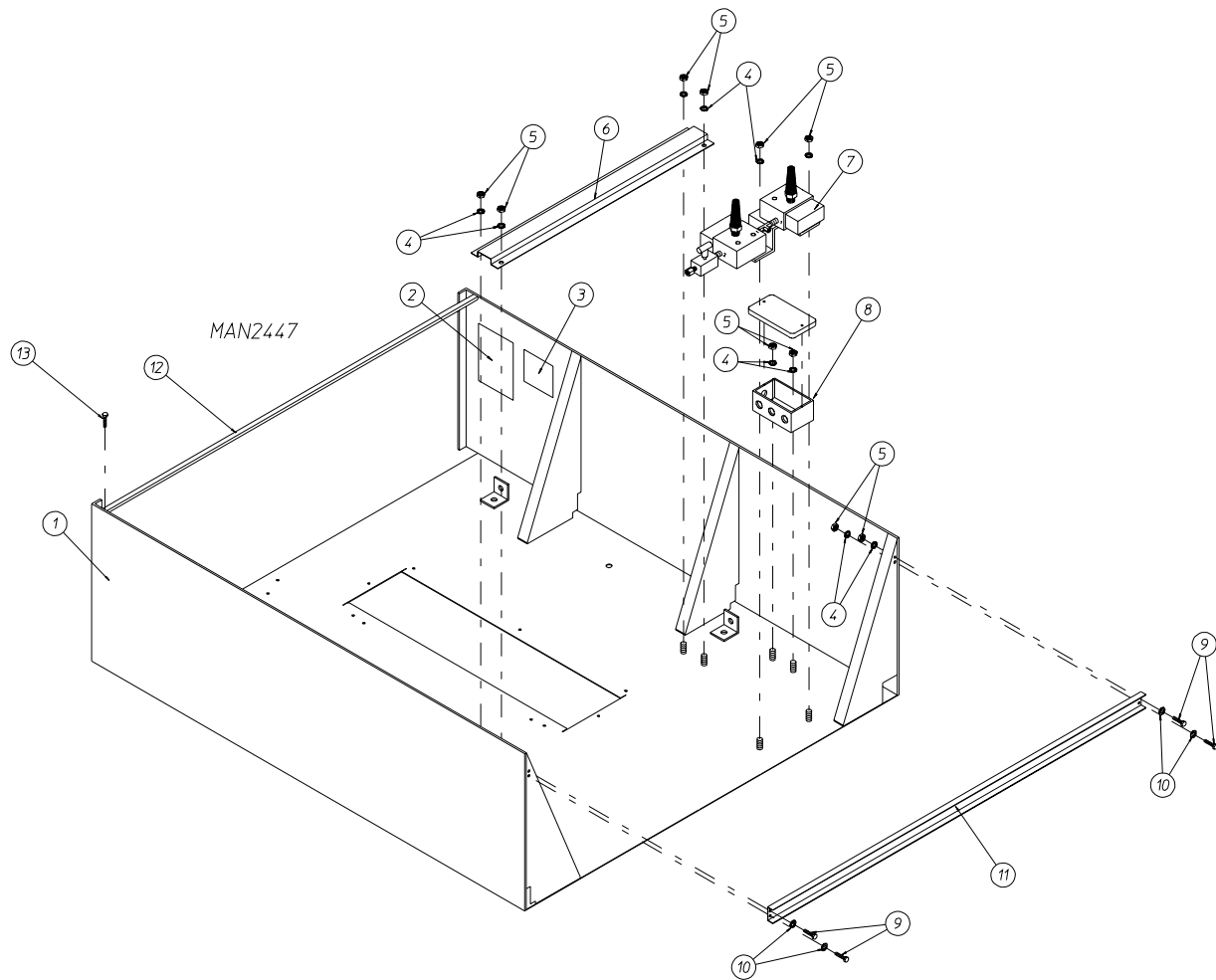
STI-77 Microprocessor Reversing Contactor Mounting Panel Assembly

For 460-480V Transformers



Illus. No.	Part No.	Qty.	Description
1	132467	1	9-13-amp Overload
2	132465	1	10 hp Contactor – 24 VAC
3	151001	2	#8-32 Pal Nut
4	150009	2	#6-32 x 1-1/2" Phillips Round Head Machine Screw
5	120701	1	4-Position Terminal Block
6	132497	1	"Kline" Reversing Contactor
7	830193	1	460-480V Transformer Assembly
8	152004	2	5/16-18 Hex Nut
9	121012	1	Ground Lug
10	153002	2	5/16" Lock Washer
11	135501	1	2-Pole 1-amp Circuit Breaker
12	137015	1	Arc Suppressor
13	332346	1	Relay Panel
14	150301	4	#8-18 x 7/16" Phillips Pan Head TEK Screw
15	151000	2	#6-32 Pal Nut
16	120765	2	End Stop / Bracket
17	150108	2	#8-32 x 1/2" Pan Head Machine Screw
18	150297	1	#10 x 1/2" Hex Washer TEK Screw
19	121010	1	L-70 Ground Lug
20	120768	7-3/4"	Din Mounting Rail (sold by the inch)
—	830192	1	Relay Panel Wiring ... Not Illustrated
—	825267	1	Drive / Blower Motor Contactor Wiring ... Not Illustrated

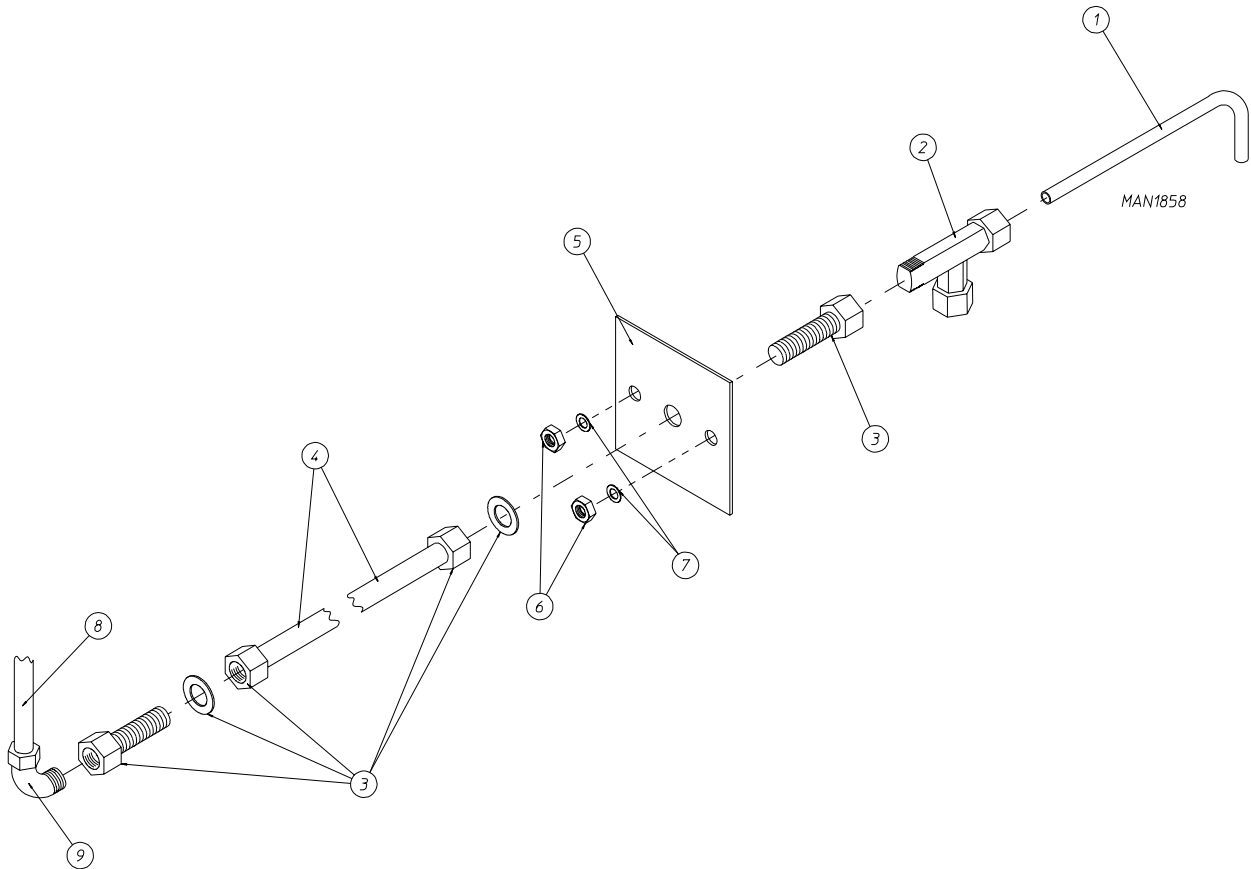
STI-77 Top Console Assembly



Illus. No.	Part No.	Qty.	Description
1	821085*	1	Top Console Assembly Only (for gas models Only)
	821086	1	Top Console Assembly Only (for steam models Only)
2	114521	1	Phase 7 Non-Coin Program Location Summary Label (for microprocessor models Only)
3	—	1	Dryer Data Label
4	153007	12	1/4" Lock Washer
5	152005	12	1/4-20 Hex Nut
6	883864*	1	32" Wire Channel
7	821105	1	Pneumatic Valve Assembly Only (for gas models Only) (refer to Pneumatic Valve Assembly on page 30)
	821104	1	Pneumatic Valve Assembly Only (for steam models Only) (refer to Pneumatic Valve Assembly on page 31)
8	121104	1	2" x 4" Junction Box Only
	121105	1	Junction Box Cover Only
9	150615	4	1/4-20 x 3/4" Bolt
10	153018	4	1/4" Flat Washer
11	883865*	1	Console Gusset Brace
12	883866*	1	Control Door Hinge Channel
13	150300	4	#10-16 x 1/2" Hex Washer TEK Screw

* Specify color when ordering.

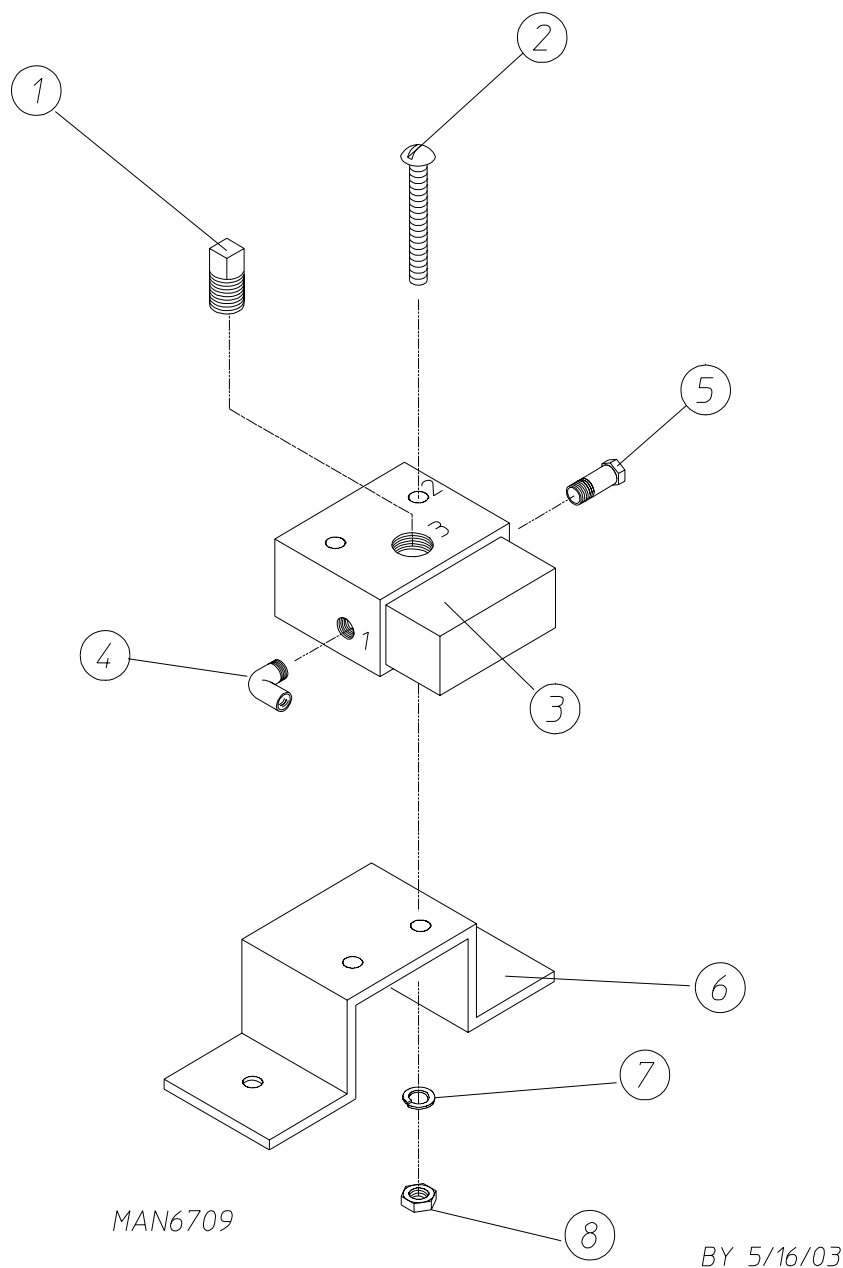
STI-77 Air Jet Assembly



<u>Illus. No.</u>	<u>Part No.</u>	<u>Qty.</u>	<u>Description</u>
1	332700	1	Air Jet Tube Only
2	143287	1	1/4" Compression x 1/8" M.P.T. Male Run Tee
3	143259	2	1/4" Compression x 1/8" F.P.T. Bulkhead Fitting
4	143100	36'	1/4" Aluminum Tube (sold by the foot)
5	821081	1	Air Jet Mounting Plate Only (includes illus. nos. 1 through 9)
	332531	1	Air Jet Mounting Plate Only
6	152002	2	1/4-20 Hex Nut
7	153007	2	1/4" Lock Washer
8	143110	6'	1/4" Poly-Flo Tubing (sold by the foot)
9	143149	1	1/4" x 1/8" M.P.T. 90° Elbow

STI-77 Pneumatic Valve Assembly

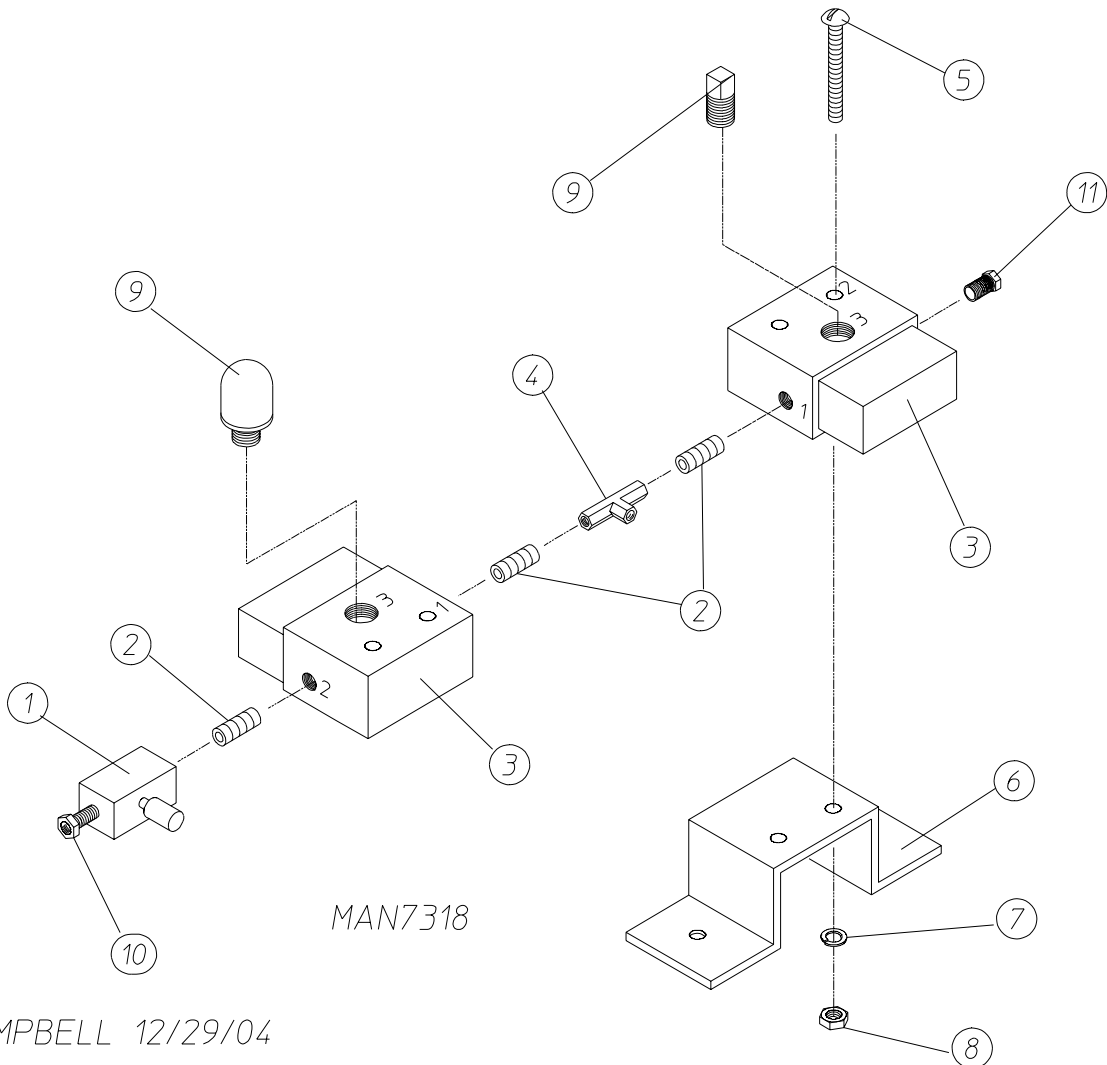
For Gas Models Only



<u>Illus. No.</u>	<u>Part No.</u>	<u>Qty.</u>	<u>Description</u>
1	143250	1	1/8" M.P.T. Brass Plug
2	150002	2	#6-32 x 1" Phillips Round Head Machine Screw
3	100498	1	3-Way Micro Valve Only – 24 VAC
	821105	1	Pneumatic Valve Assembly Complete for Gas Models Only (includes illus. nos. 1 through 8)
4	143149	1	1/4" Poly x 1/8" M.P.T. Elbow
5	100472	1	1/4" x 1/8" Connector
6	330987	1	Micro Valve Support Bracket Only
7	153010	2	#6 Star Washer
8	152000	2	#6-32 Hex Nut

STI-77 Pneumatic Valve Assembly

For Steam Models Only



BCAMPBELL 12/29/04

Illus. No.	Part No.	Qty.	Description
1	100496	1	1/8" Needle Valve
2	143238	3	1/8" Close Nipple
3	100498	2	3-Way Micro Valve Only – 24 VAC
	821104	1	Pneumatic Valve Assembly Complete for Steam Models Only (includes illus. nos. 1 through 8)
4	143223	1	1/8" F.P.T. Brass Tee
5	150002	2	#6-32 x 1" Phillips Round Head Machine Screw
6	330987	1	Micro Valve Support Bracket Only
7	153010	2	#6 Star Washer
8	152000	2	#6-32 Hex Nut
9	100520	2	1/8" N.P.T. Silencer (muffler)
10	100472	2	1/4" x 1/8" Connector
11	143250	1	1/8" M.P.T. Brass Plug

STI-54 Electric Oven Component Application Charts

60 kW Oven	Volts		480	
	Phase		3 ϕ	
	Wire		3 or 4	
	Oven Assembly Part No.		884008	
	Elements	Qty.	18	
		Size	3.3 kW	
		Part No.	120076	
	Oven Wire	Qty.*	6'	37'
		Size	#2	#8
		Part No.	133302	133100
Terminal Lug	Qty.	18		
	Part No.	121032		
Bus Bar Part No. 121011*		11'		

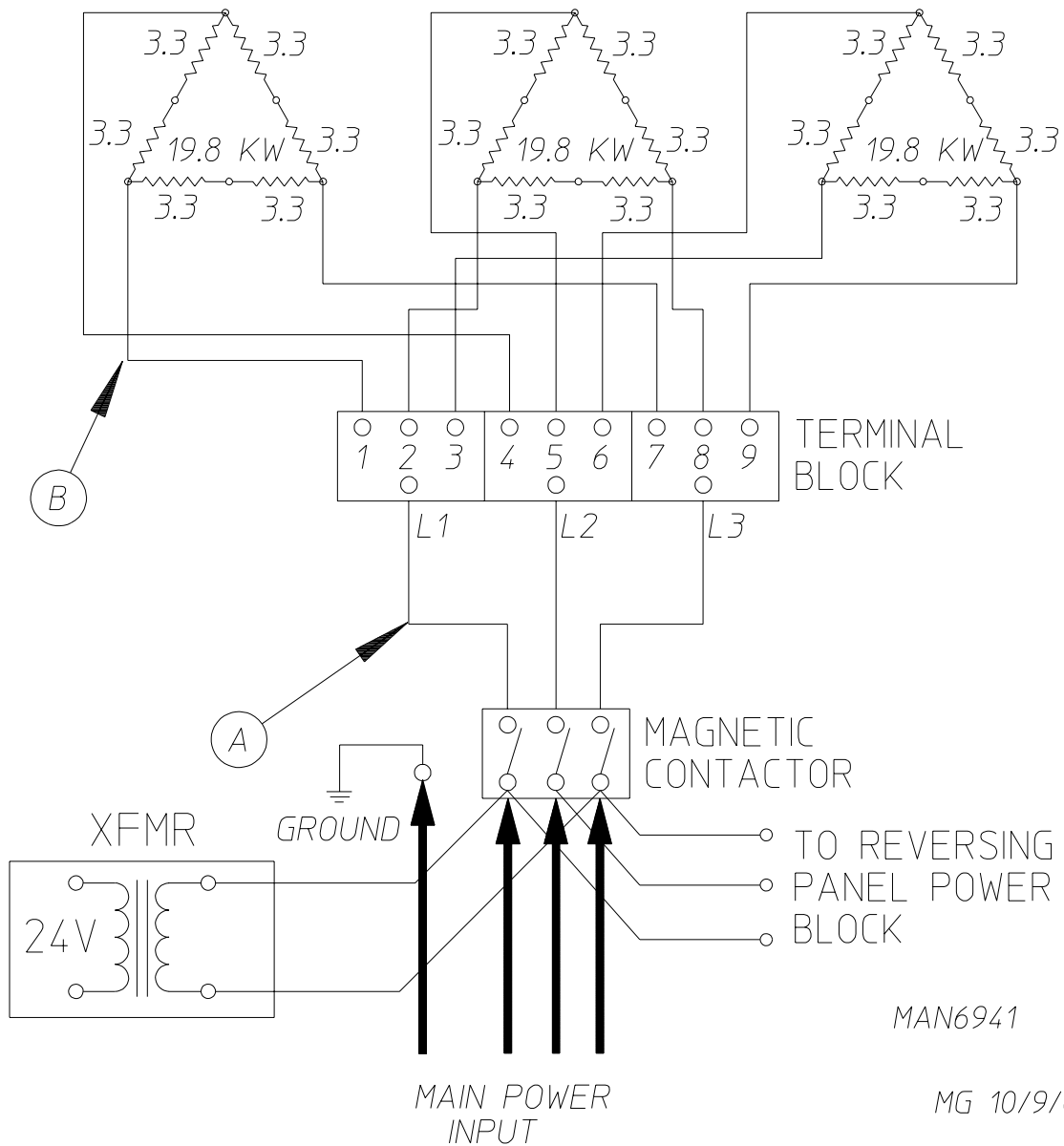
* Sold by the foot.

72 kW Oven	Volts		208	230/240	380	400	480					
	Phase		3 ϕ	3 ϕ	3 ϕ	3 ϕ	3 ϕ					
	Wire		3	3	3 or 4	3 or 4	3 or 4					
	Oven Assembly Part No.		884003	884004	884007	884006	884005					
	Elements	Qty.	18	18	18	18	18					
		Size	4 kW	4 kW	4 kW	4 kW	4 kW					
		Part No.	120010	120011	120073	120010	120011					
	Oven Wire	Qty.*	6'	29'	6'	29'	3'	29'	3'	37'	3'	37'
		Size	#2	#8	#2	#8	#2	#8	#2	#8	#2	#8
		Part No.	133302	133100	133302	133100	133302	133100	133302	133100	133302	133100
	Terminal Lug	Qty.	18	18	9	18	10	18	18	18	18	18
		Part No.	121032	121032	121010	121032	121010	121032	121010	121032	121010	121032
	Bus Bar Part No. 121011*		2'	2'	3'	3'	3'					

* Sold by the foot.

STI-54 Electric Oven Power Distribution

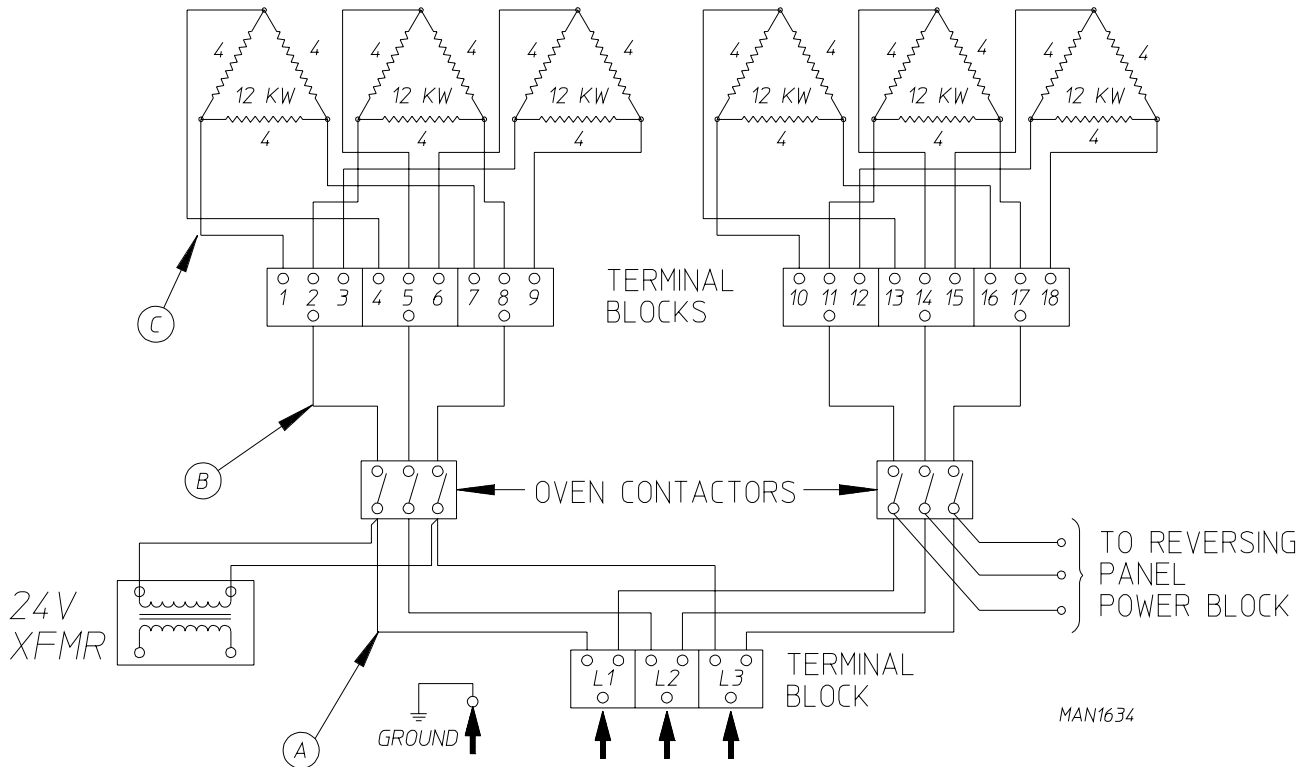
60 kW – 480V (3 ϕ) 50/60 Hz



Electric Service	Qty. Elements	Element Part Number	Oven Amps	Wire Size		Contactor	24 VAC Step Down Transformer
				A	B		
480V / 3 ϕ / 3, 4w	18	120076	72	2	8	131358	132004

STI-54 Electric Oven Power Distribution

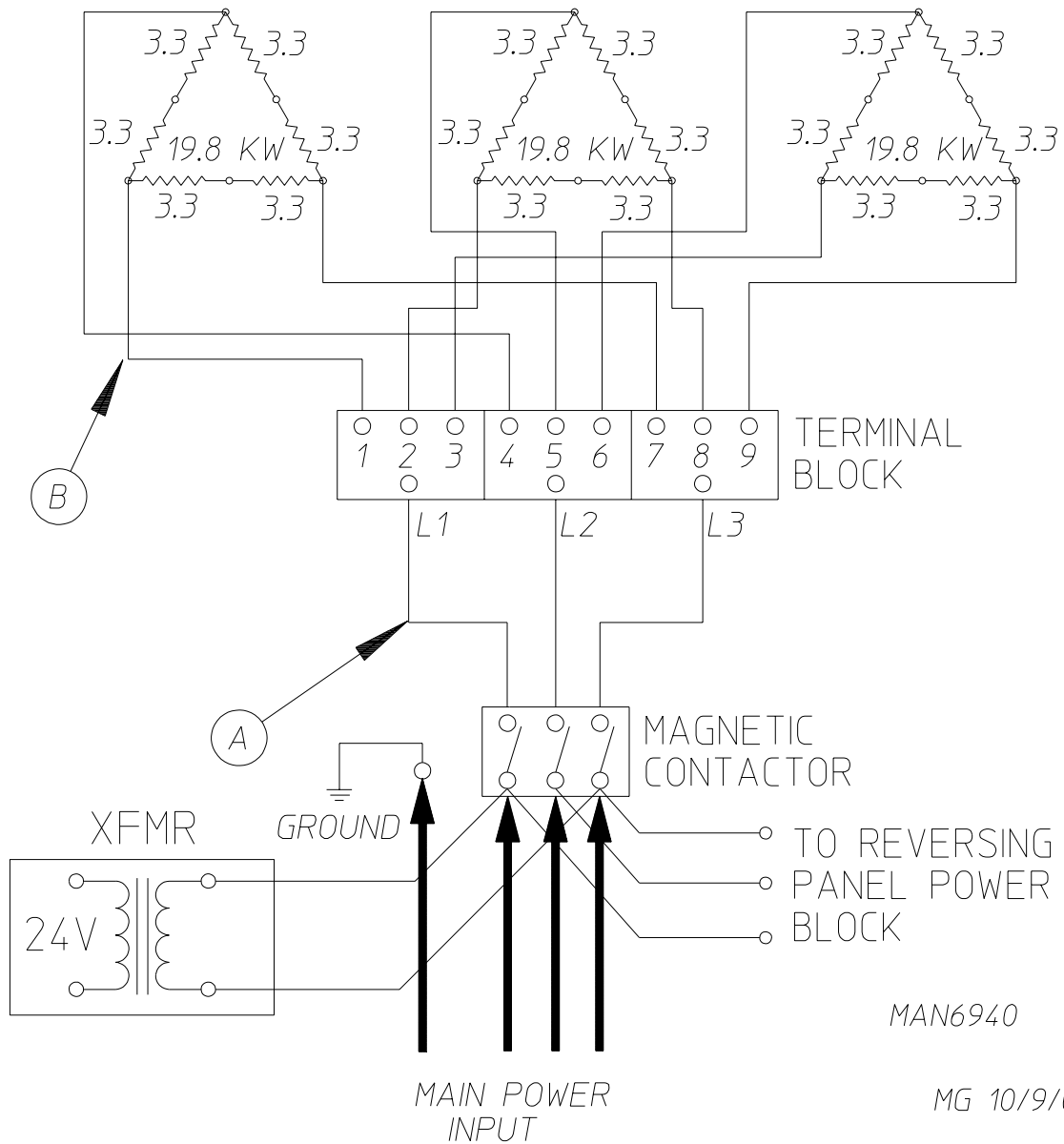
72 kW – 208-240V (3Ø) 50/60 Hz



Electric Service	Qty. Elements	Element Part Number	Oven Amps	Wire Size			Contactor	24 VAC Step Down Transformer
				A	B	C		
208V / 3Ø / 3, 4w	18	120010	200	2	2	8	131358	132087
240V / 3Ø / 3, 4w	18	120011	174	2	2	8	131358	132087

STI-54 Electric Oven Power Distribution

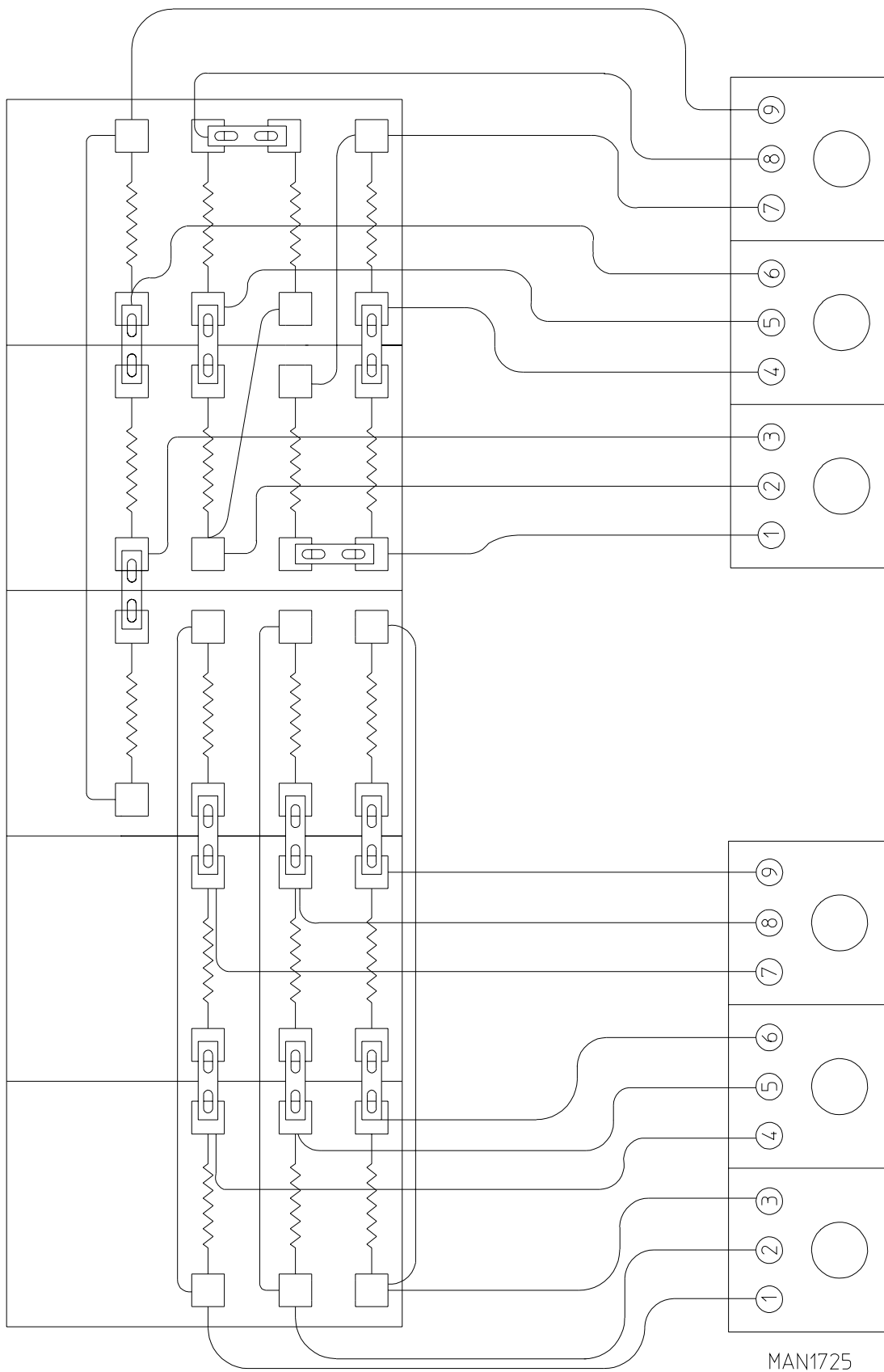
72 kW – 380-400/480V (3Ø) 50/60 Hz



Electric Service	Qty. Elements	Element Part Number	Oven Amps	Wire Size		Contactor	24 VAC Step Down Transformer
				A	B		
380V / 3Ø / 3, 4w	18	120073	110	2	8	131358	132004
400V / 3Ø / 3, 4w	18	120010	104	2	8	131358	132004
480V / 3Ø / 3, 4w	18	120011	87	2	8	131358	132004

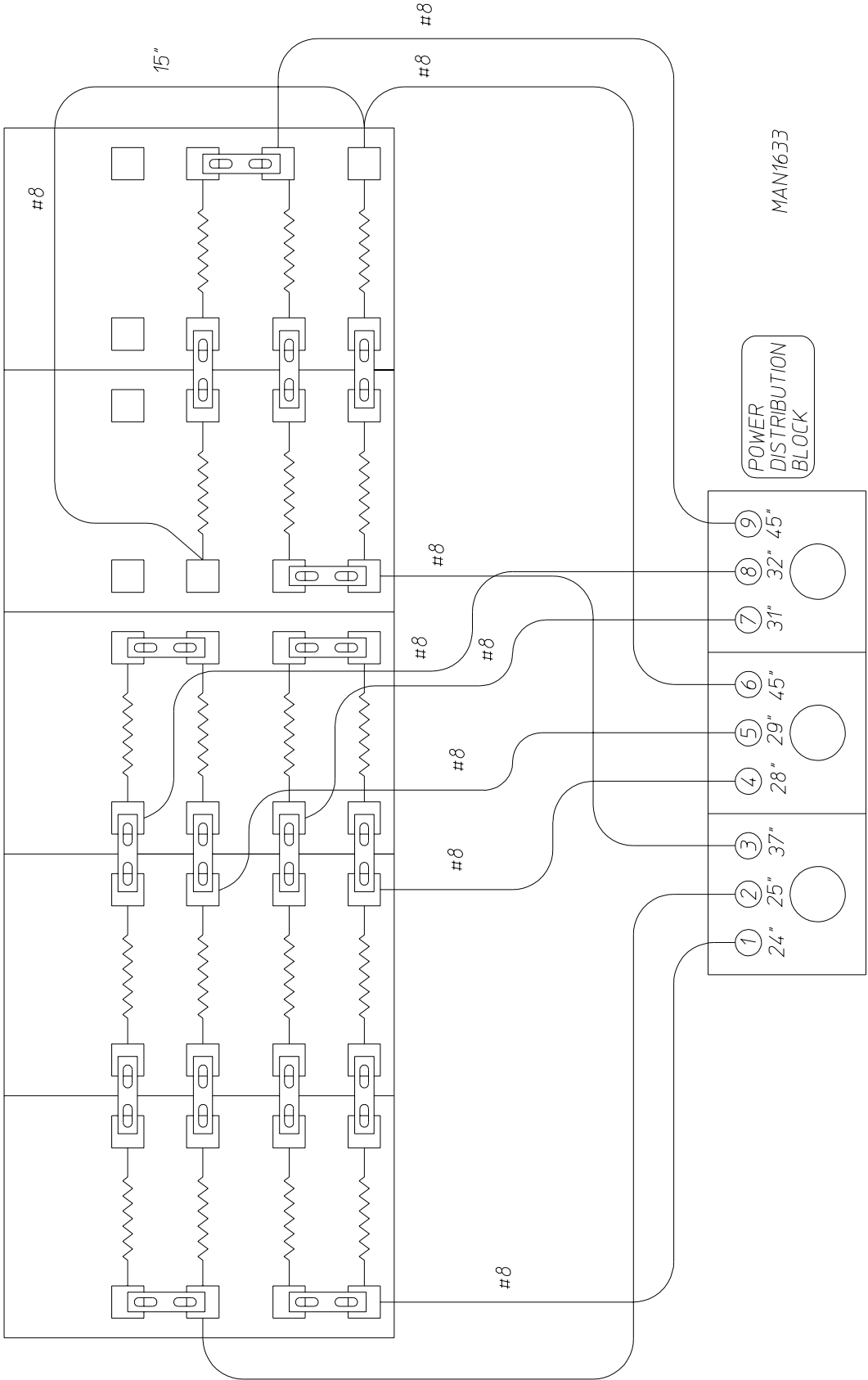
STI-54 Electric Oven Wiring

72/80 kW – 208-240V (3Ø) 50/60 Hz

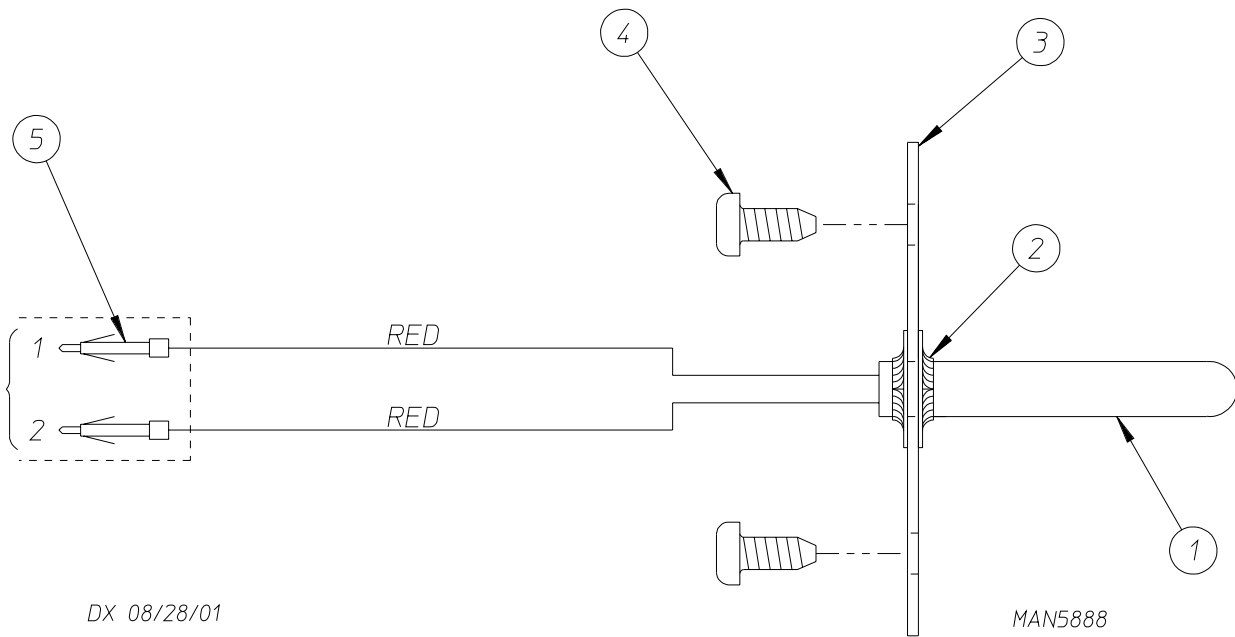


STI-54 Electric Oven Wiring

60/72 kW – 380-480V (3Ø) 50/60 Hz



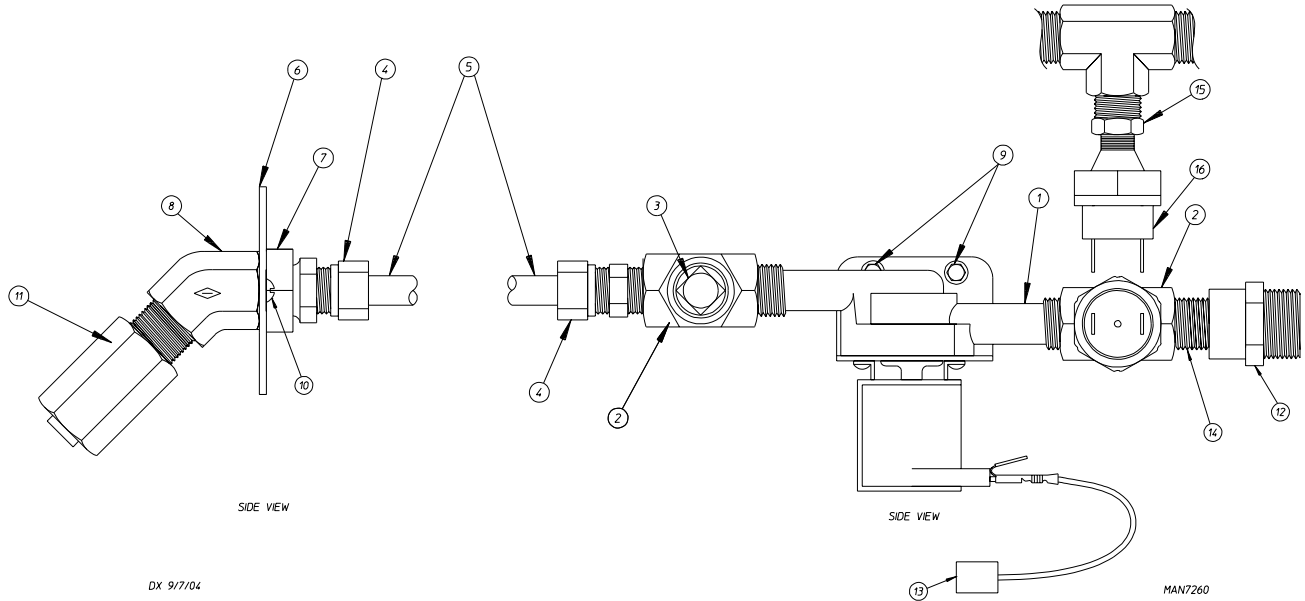
STI-54 / STI-77 F.S.S. Temperature Probe Assembly



<u>Illus. No.</u>	<u>Part No.</u>	<u>Qty.</u>	<u>Description</u>
1	822752	1	Fire Suppression System Temperature Probe Assembly (includes illus. nos. 1 through 5)
2	154007	2	Push-On Fastener
3	390390	1	Sensor Bracket Only
4	150301	2	#8-18 x 7/16" Phillips Pan Head TEK Screw
5	122647	1	Connector Only
	122700	2	Pins

STI-54 / STI-77 F.S.S. Solenoid Assembly

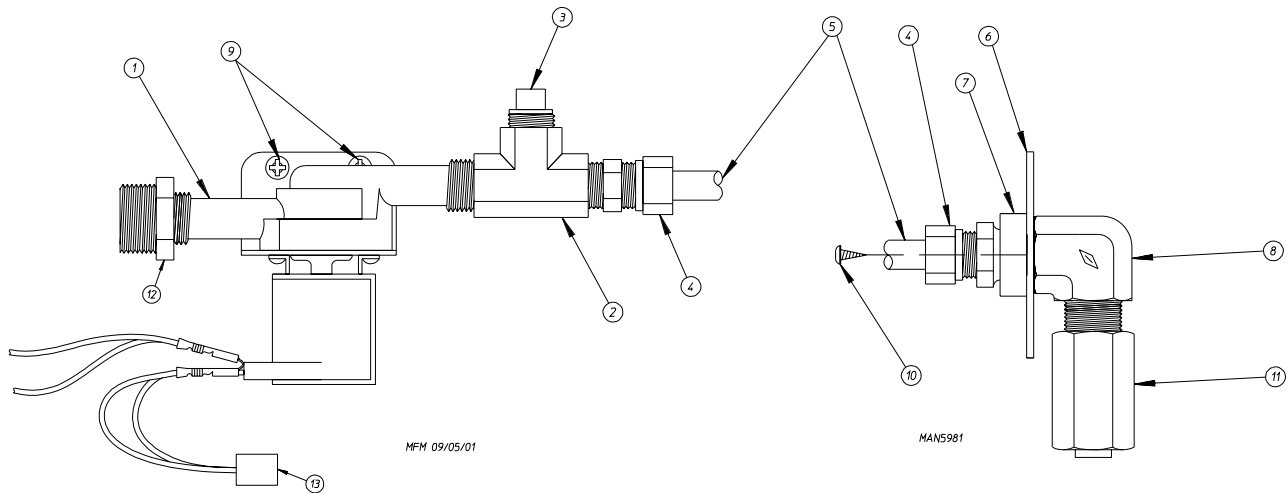
For Models Mfd. as of December 3, 2003



Illus. No.	Part No.	Qty.	Description
1	165114	1	Fire Suppression System Solenoid Valve 24 VAC 50/60 Hz
2	143220	2	3/8" F.P.T. Brass Tee
3	143251	1	3/8" M.P.T. Brass Plug
4	143208	2	3/8" Comp x 3/8" M.P.T. Brass Connector
5	143108	1	20" Long Stainless Steel Flexible Tubing
6	311588	1	Sprinkler Head Mounting Plate
7	143303	1	3/8" N.P.T. Brass Locknut
8	143301	1	3/8" Brass 45° Elbow
9	152001	2	#8-32 x 3/8" OD Hex Nut
10	150430	2	#10 x 1/2" Self-Drilling Screw
11	143581	1	3 GPM 3/8" F.P.T. Spray Nozzle
12	143025	1	3/8" N.P.T. Nylon Hose Adaptor
13	824081	1	RC Network Assembly
14	143315	1	3/8" x 1/8" Bushing
15	182579	1	3/8" Hex Nipple
16	136987	1	Pressure Switch (for models mfd. as of December 3, 2003)

STI-54 / STI-77 F.S.S. Solenoid Assembly

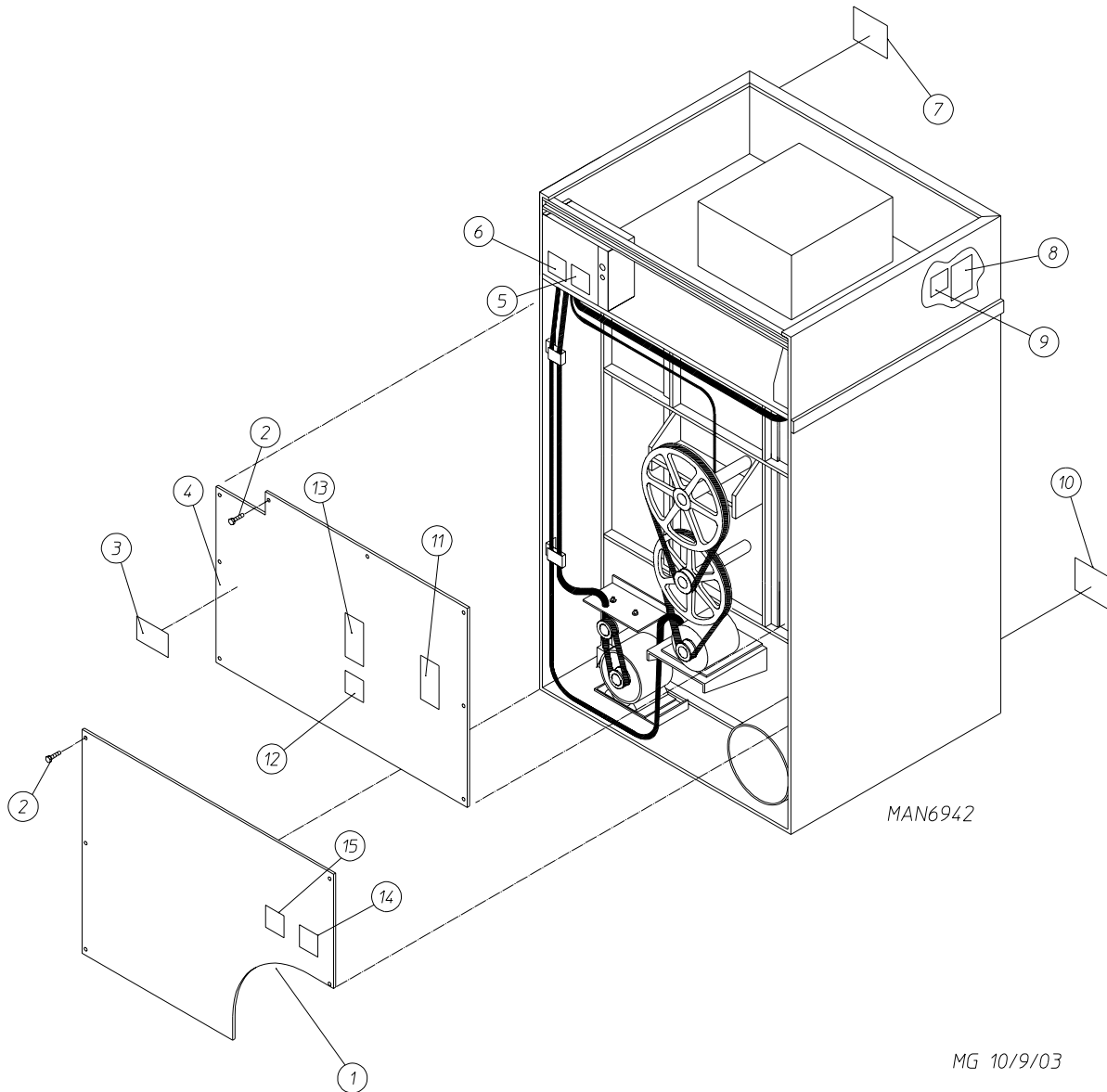
For Models Mfd. prior to December 3, 2003



Illus. No.	Part No.	Qty.	Description
1	165114	1	Fire Suppression System Solenoid Water Valve 24V – 50/60 Hz
2	143220	1	3/8" F.P.T. Brass Tee
3	143251	1	3/8" M.P.T. Brass Plug
4	143208	2	3/8" Comp x 3/8" M.P.T. Brass Connector
5	143099*	6'	3/8" OD x 0.035 Wall Copper Tubing
6	311588	1	Sprinkler Head Mounting Plate
7	143303	1	3/8" N.P.T. Brass Locknut
8	143155	1	3/8" Brass Elbow 90°
9	150430	2	#10 x 1/2" Self-Drilling Screw
10	150301	2	#8-18 x 7/16" Phillips Pan Head TEK Screw
11	143581	1	3 GPM 3/8" F.P.T. Spray Nozzle
12	142888	1	1/2" to 3/8" Bushing for Fire Suppression System Valve
13	824828	1	Arc Suppressor

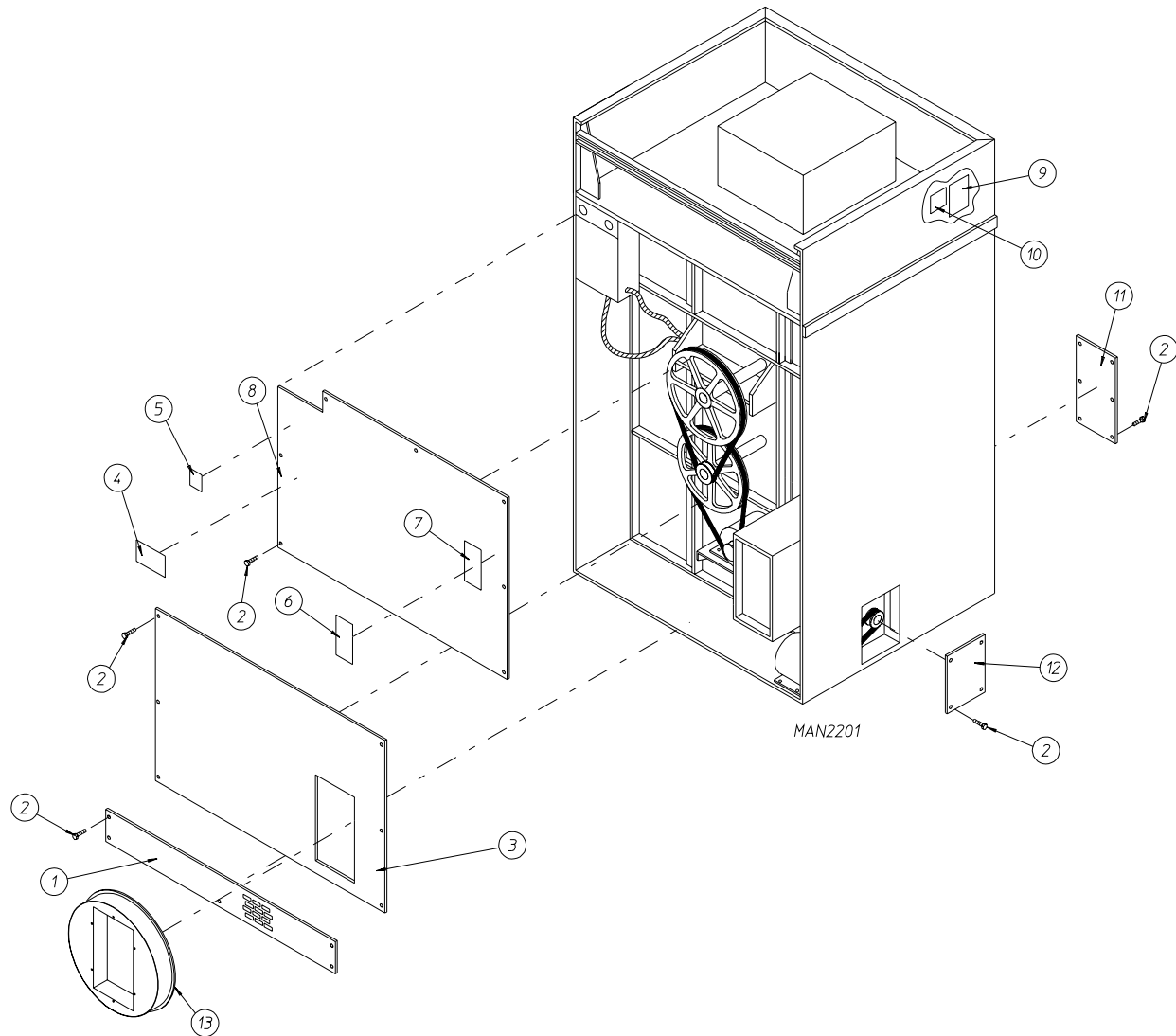
* Sold by the foot.

STI-54 Back Guard Assemblies



<u>Illus. No.</u>	<u>Part No.</u>	<u>Qty.</u>	<u>Description</u>
1	354000	1	Lower Back Guard (for gas models and electric models)
	354003	1	Lower Back Guard (for steam models Only)
2	150301	12	#8-18 x 7/16" Phillips Pan Head TEK Screw
3	112046	1	"Important for Computer Ground" Label
4	813029	1	Top Back Guard
5	114005	1	"DANGER – Hot" Label
6	114007	1	"DANGER – High Voltage" Label
7	114006	1	"WARNING – Fire Hazards" Label
8	114043	1	"Phase 7.2.2 Non-Coin Programming Location" Label
9	114530	1	"Phase 7 A-B Factor" Label
10	112280	1	"Clean Lint Screen" Label
11	112229	1	"Installation Instructions" Label
12	114004	1	"CAUTION – Rotating Parts" Label
13	112519	1	"Routine Maintenance Schedule" Label
14	114008	1	"WARNING – Fumes" Label
15	114001	1	"CAUTION – Exhaust / Lint Screen" Label

STI-77 Back Guard Assemblies



Illus. No.	Part No.	Qty.	Description
1	883862*	1	Bottom Back Guard Only
2	150301	28	#8-18 x 7/16" Phillips Pan Head TEK Screw
3	821096	1	Middle Back Guard Only
4	112014	1	High Voltage Label Only
5	114006	1	"Warning – Fire Hazards" Label
6	112230	1	"Installation Instructions" Label
7	112519	1	"Routine Maintenance Schedule" Label
8	821095	1	Top Back Guard Only
9	114521	1	"Phase 7 Non-Coin Program Location Summary" Label
10	114530	1	"Phase 7 A-B Factor" Label
11	883868*	1	Blower Housing Front Access Panel
12	883869*	1	Side Access Panel
13	821092	1	Square Duct to Round Duct Transition Piece Assembly
—	117505**	—	Aluminum Duct Tape ... Not Illustrated

* Specify color when ordering.

** As required.

