

GIRBAU, S.A.

STI-22 Parts Manual

Girbau SA
Carreta Manlleu, KM1
Vic Barcelona, Spain 54380
Telephone: 3493 886 1100 / Fax: 3493 886 0785
e-mail: girbau@girbau.es

Retain This Manual In A Safe Place For Future Reference

This product embodies advanced concepts in engineering, design, and safety. If this product is properly maintained, it will provide many years of safe, efficient, and trouble free operation.

ONLY qualified technicians should service this equipment.

OBSERVE ALL SAFETY PRECAUTIONS displayed on the equipment or specified in the installation manual included with the dryer.

The following “**FOR YOUR SAFETY**” caution **must be** posted near the dryer in a prominent location.

FOR YOUR SAFETY

Do not store or use gasoline or other flammable vapors and liquids in the vicinity of this or any other appliance.

POUR VOTRE SÉCURITÉ

Ne pas entreposer ni utiliser d'essence ni d'autres vapeurs ou liquides inflammables à proximité de cet appareil ou de tout autre appareil.

We have tried to make this manual as complete as possible and hope you will find it useful. The manufacturer reserves the right to make changes from time to time, without notice or obligation, in prices, specifications, colors, and material, and to change or discontinue models.

Important

For your convenience, log the following information:

DATE OF PURCHASE _____ **MODEL NO.** STI-22

DISTRIBUTOR'S NAME _____

Serial Number(s) _____

Replacement parts can be obtained from your reseller or the **Girbau SA** factory. When ordering replacement parts from the factory, you can FAX your order to **Girbau SA** at 3493 886 0785 or telephone your order directly to the **Girbau SA** Parts Department at 3493 886 1100. Please specify the dryer **model number** and **serial number** in addition to the **description** and **part number**, so that your order is processed accurately and promptly.

The illustrations on the following pages may not depict your particular dryer exactly. The illustrations are a composite of the various dryer models. Be sure to check the descriptions of the parts thoroughly before ordering.

“IMPORTANT NOTE TO PURCHASER”

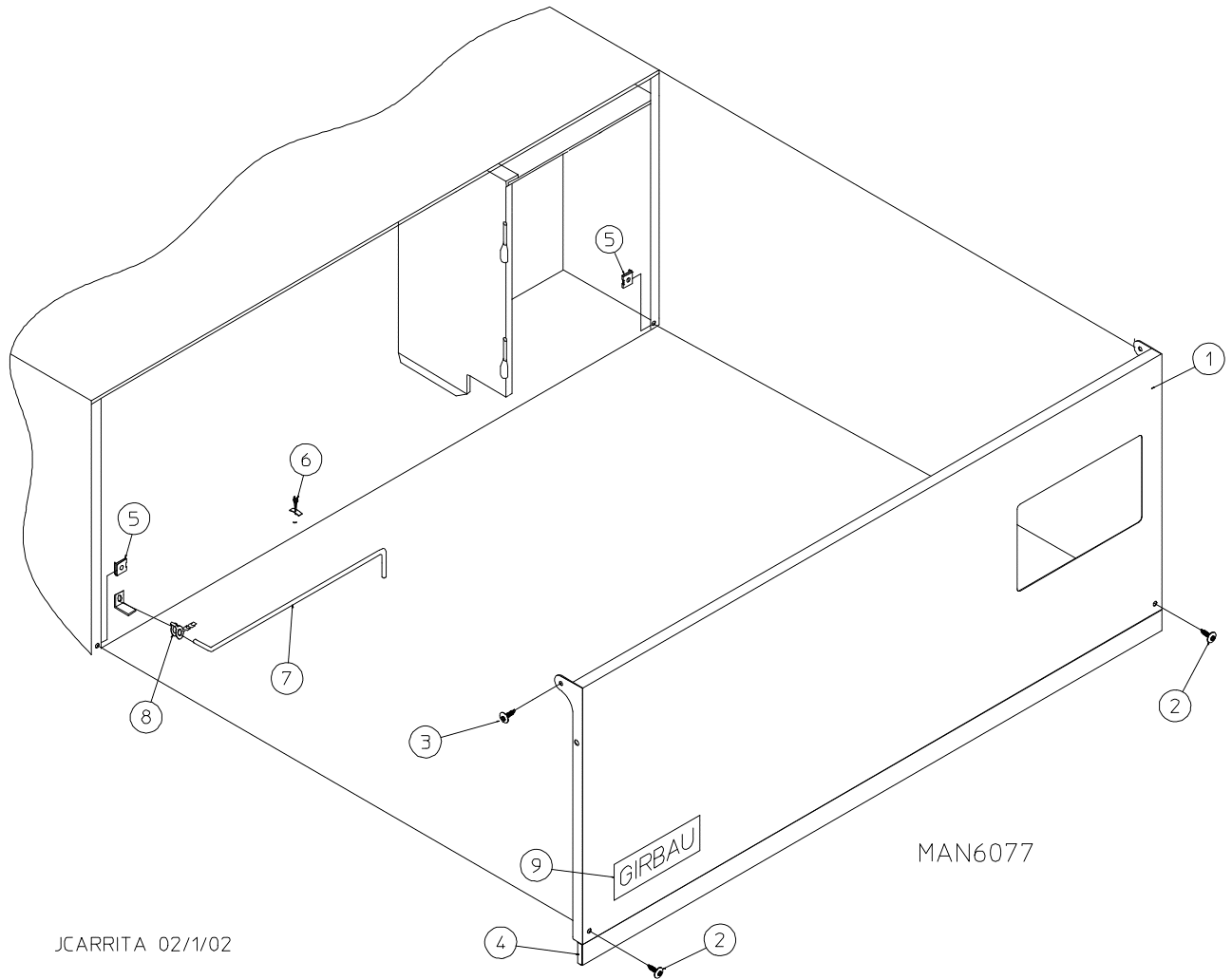
Information **must be** obtained from your local gas supplier on the instructions to be followed if the user smells gas. These instructions **must be** posted in a prominent location near the dryer.

Table of Contents

Phase 7 Non-Coin Control Door Assembly	3
Phase 7 Coin Control Door Assembly	4
Phase 6 Non-Coin Control Door Assembly	5
Phase 5 Coin Control Door Assembly	6
Phase 7 Non-Coin Microprocessor Control Panel Assembly	7
Phase 7 Coin Microprocessor Control Panel Assembly	8
Phase 6 Non-Coin Microprocessor Control Panel Assembly	9
Phase 5 Coin Microprocessor Control Panel Assembly	10
Dual Timer “Tap Touch” Controls	11
Phase 7 Microprocessor Control Box Assembly	12
Phase 6 Non-Coin Microprocessor Control Box Assembly	13
Phase 5 Coin and Dual Timer Control Box Assembly	14
Coin Vault Assembly	15
Front Panel Assembly	16
Main Door “Steel” Assembly	17
Main Door Switch Assembly	18
Basket (Tumbler)/Support Assemblies	19
Lint Drawer/Lint Drawer Switch Assemblies with Replaceable Screen	20
Lint Drawer/Lint Drawer Switch Assemblies with Permanent Screen	21
Idler Bearing Assembly	22, 23
Basket (Tumbler) Bearing Assembly	24, 25
Non-Reversing Motor Mount Assembly	26, 27
Reversing Motor Mount Assembly	28, 29
Sensor Bracket Assemblies	30, 31
Direct Spark Ignition Burner Assembly	32, 33
Hot Surface Ignition Gas Burner Assembly	34, 35
Electric Oven Assembly	36, 37

Rear Electric Panel Assembly	38, 39
Steam Coil/Mechanical Steam Damper Assembly	40, 41
Steam Coil/Air-Operated Steam Damper Assembly	42, 43
Fire Suppression System Piping Assembly	44
Fire Suppression System Sensor Probe Assembly	45
Outer Top/Back Guard Assemblies	46
Transformer Listing	47
Rear Electric Panel Assembly Listing	48, 49
Electrical Oven Component Application Chart	50
Additional Parts Available	51

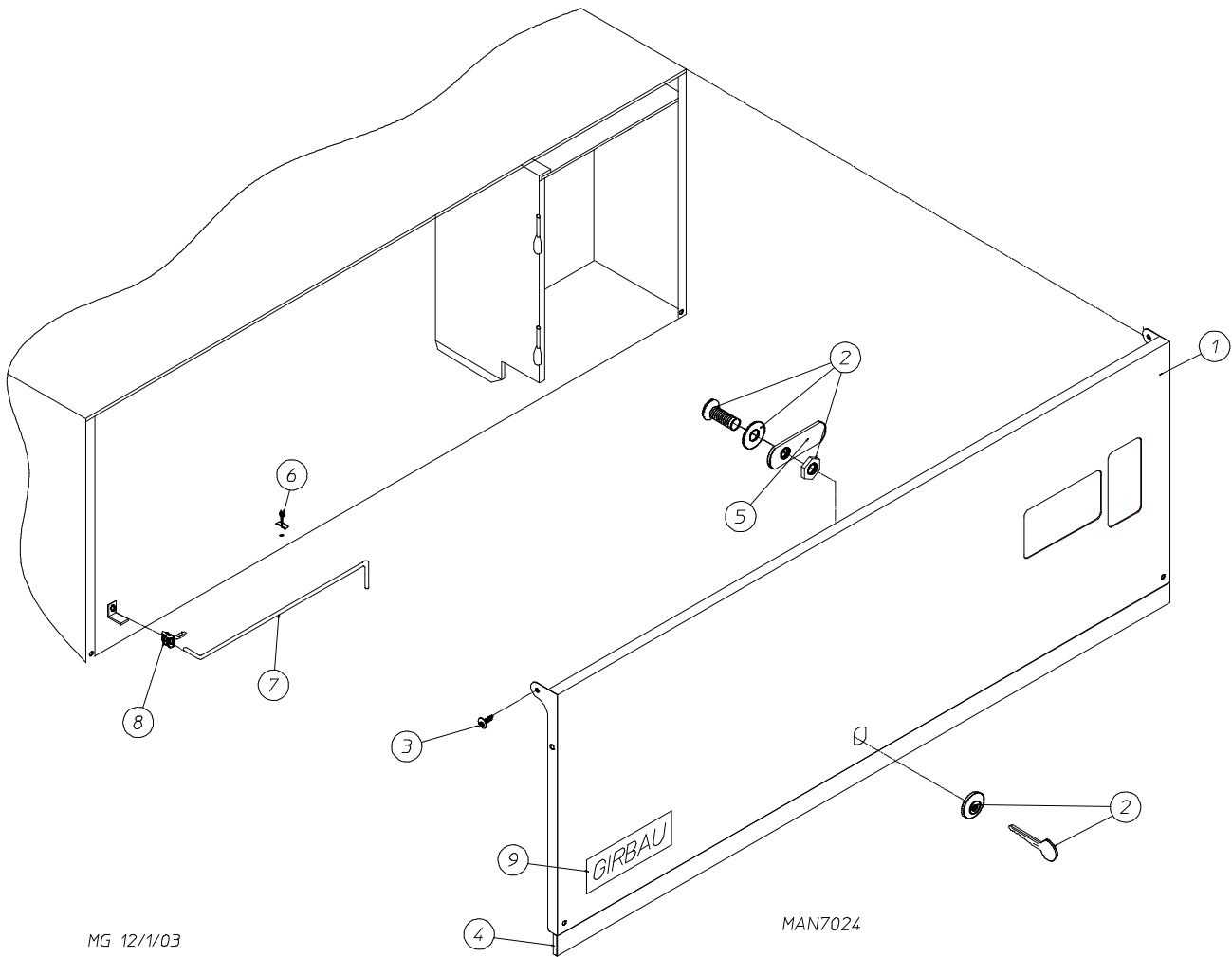
Phase 7 Non-Coin Control Door Assembly



JCARRITA 02/1/02

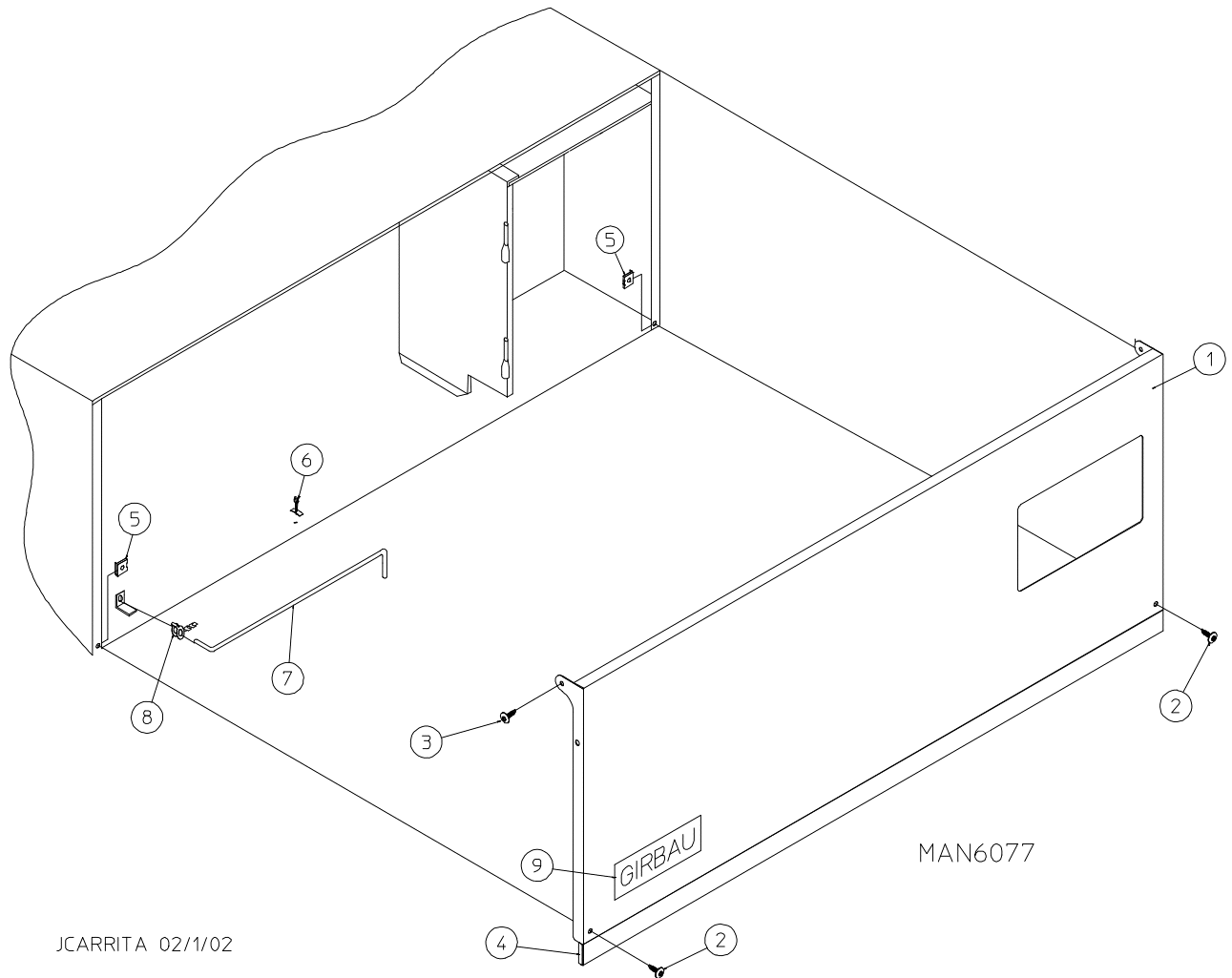
<u>Illus. No.</u>	<u>Part No.</u>	<u>Qty.</u>	<u>Description</u>
1	884098	1	White Control Door Assembly (includes illus. nos. 1 and 4)
2	150217	2	#10-32 x 3/4" Phillips Pan Head Machine Screw
3	150317	2	#10-16 x 3/4" TORX + BTN, Type 1
	150318	1	25 IP TORX + Bit (for removal of TORX head screw)
4	117604	6	Noise Suppressor Tape (sold by the foot)
5	154011	2	#10-32 Multi-Thread U-Nut
6	102603	1	Control Door Rod Catch
7	102502	1	Control Door Support Rod
8	102601	1	Control Door Rod Retainer Clip
9	112371	1	Girbau Logo

Phase 7 Coin Control Door Assembly



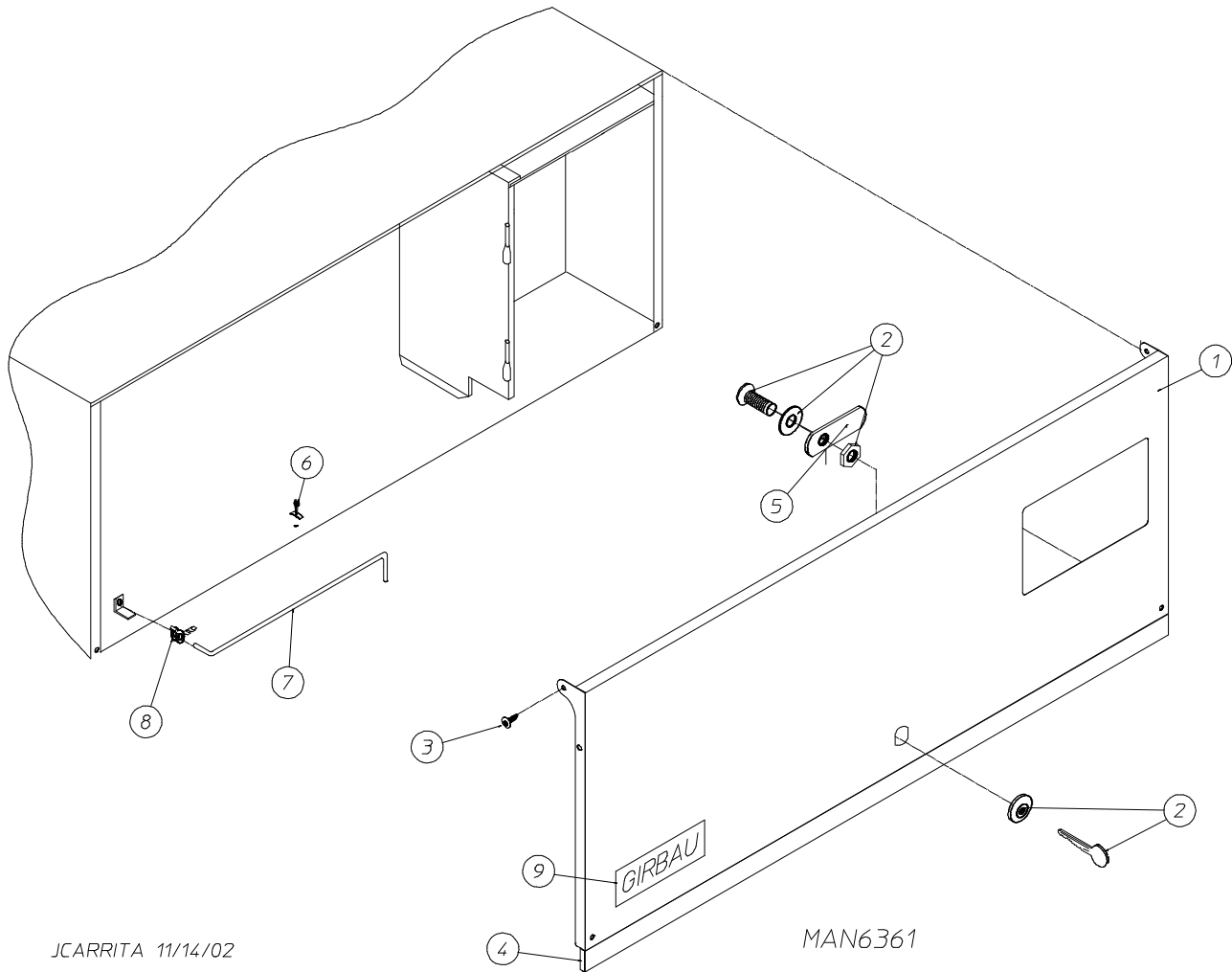
<u>Illus. No.</u>	<u>Part No.</u>	<u>Qty.</u>	<u>Description</u>
1	884099	1	White Control Door Assembly (includes illus. nos. 1 through 4)
2	160015	1	High Security Lock with Key
	160104	1	MK-100 Key ONLY
3	150317	2	#10-16 x 3/4" TORX + BTN, Type 1
	150318	1	25 IP TORX + Bit (for removal of TORX head screw)
4	117604	6	Noise Suppressor Tape (sold by the foot)
5	160032	1	1" Straight Cam
6	102603	1	Control Door Rod Catch
7	102502	1	Control Door Support Rod
8	102601	1	Control Door Rod Retainer Clip
9	112371	1	Girbau Logo

Phase 6 Non-Coin Control Door Assembly



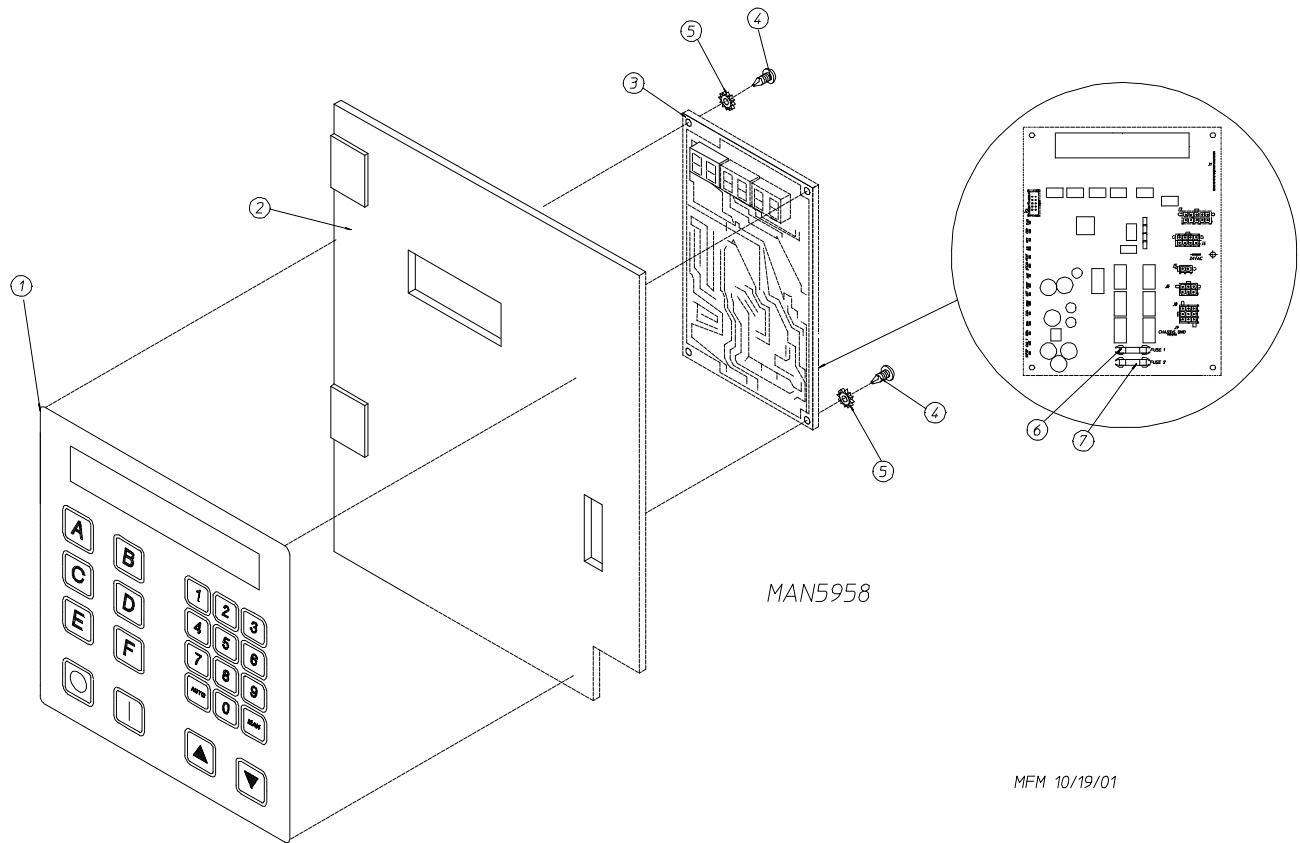
<u>Illus. No.</u>	<u>Part No.</u>	<u>Qty.</u>	<u>Description</u>
1	883273	1	White Control Door Assembly (includes illus. nos. 1 and 4)
2	150217	2	#10-32 x 3/4" Phillips Pan Head Machine Screw
3	150317	2	#10-16 x 3/4" TORX + BTN, Type 1
4	117604	6	Noise Suppressor Tape (sold by the foot)
5	154011	2	#10-32 Multi-Thread U-Nut
6	102603	1	Control Door Rod Catch
7	102502	1	Control Door Support Rod
8	102601	1	Control Door Rod Retainer Clip
9	112371	1	Girbau Logo

Phase 5 Coin Control Door Assembly



<u>Illus. No.</u>	<u>Part No.</u>	<u>Qty.</u>	<u>Description</u>
1	883684	1	White Control Door Assembly (includes illus. nos. 1 and 4)
2	160015	1	High Security Lock with Key
	160104	1	MK-100 Key ONLY
3	150317	2	#10-16 x 3/4" TORX + BTN, Type 1
	150318	1	25 IP TORX + Bit (for removal of TORX head screw)
4	117604	6	Noise Suppressor Tape (sold by the foot)
5	160060	1	1-1/2" Cam
6	102603	1	Control Door Rod Catch
7	102502	1	Control Door Support Rod
8	102601	1	Control Door Rod Retainer Clip
9	112371	1	Girbau Logo

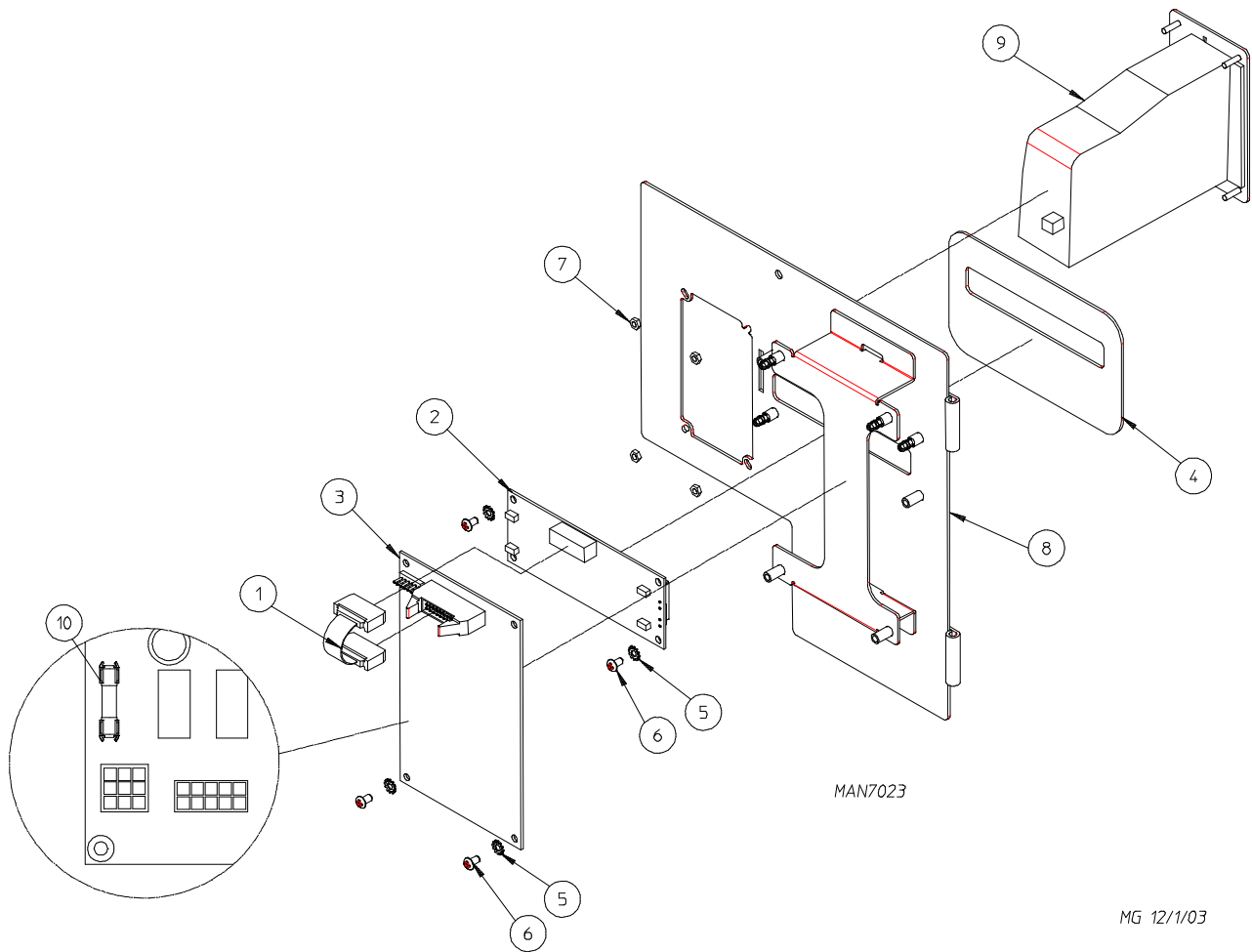
Phase 7 Non-Coin Microprocessor Control Panel Assembly



MFM 10/19/01

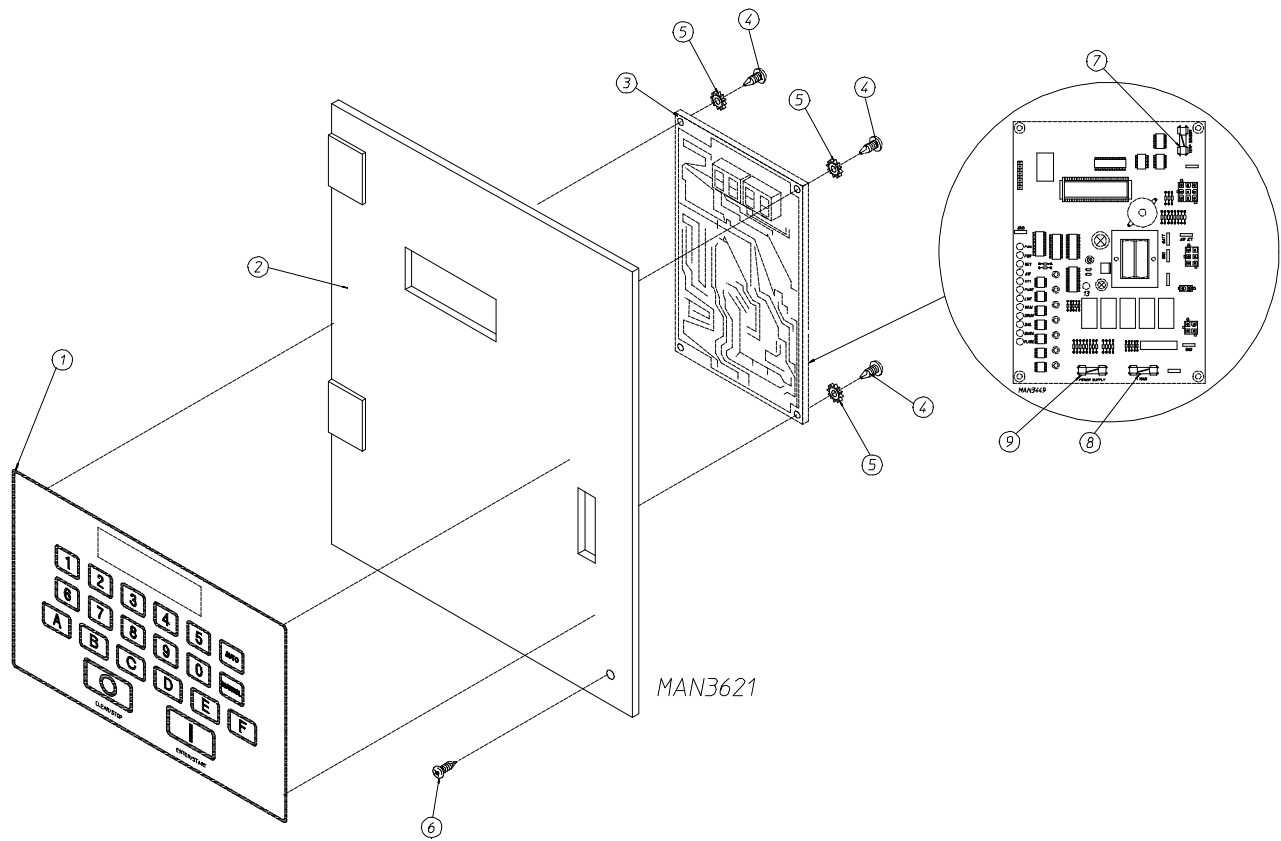
<u>Illus. No.</u>	<u>Part No.</u>	<u>Qty.</u>	<u>Description</u>
1	112571	1	Phase 7 Non-Coin Keyboard
2	850984	1	Phase 7 Non-Coin Microprocessor Controller (computer) Panel Only
3	887004	1	Phase 7 Non-Coin Microprocessor Controller (computer) with Fire Suppression System (for models mfd. as of December 3, 2003)
	887001	1	Phase 7 Non-Coin Microprocessor Controller (computer) with Fire Suppression System (for models mfd. prior to December 3, 2003)
4	150005	2	#6-32 x 1/4" Phillips Round Head Machine Screw
5	153010	2	#6 Star Washer
6	136016	1	5-Amp Fuse
7	136097	1	500-mA Fuse

Phase 7 Coin Microprocessor Control Panel Assembly



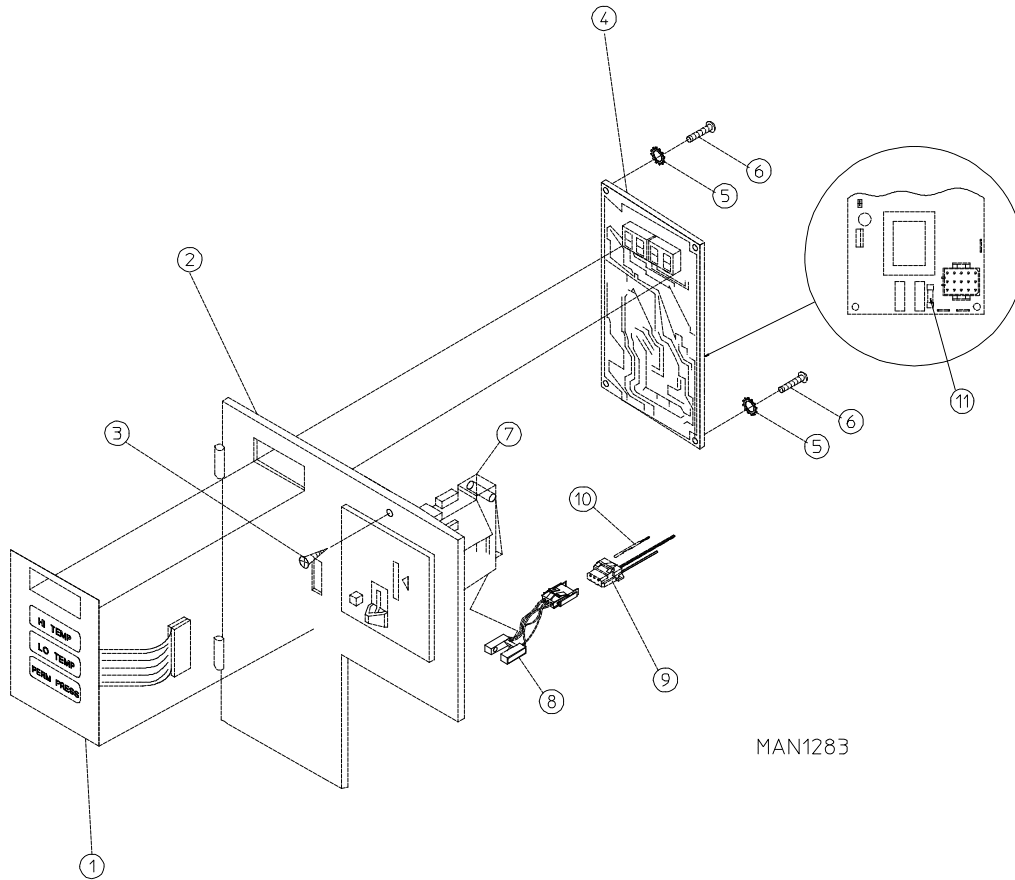
<u>Illus. No.</u>	<u>Part No.</u>	<u>Qty.</u>	<u>Description</u>
1	137250	1	Phase 7 Coin Ribbon Cable
2	137270	1	16" x 1" Large Character Display
3	887011	1	Phase 7 Coin Board (with no Fire Suppression System) (for models mfd. as of January 26, 2004)
	887007	1	Phase 7 Coin Board (with no Fire Suppression System) (for models mfd. prior to January 26, 2004)
	887013	1	Phase 7 Coin Board (with Fire Suppression System) (for models mfd. as of January 26, 2004)
	887010	1	Phase 7 Coin Board (with Fire Suppression System) (for models mfd. prior to January 26, 2004)
4	112575	1	Phase 7 Keypad
5	153010	1	#6 Star Washer
6	150005	4	#6-32 x 1/4" Phillips Round Head Machine Screw
7	152102	1	M3 Metric Hex Nut
8	824363	1	Phase 7 Coin Control Panel
9	830159	1	Phase 7 Programmable Euro/Coin Acceptor Assembly
10	136111	1	5-Amp Fuse

Phase 6 Non-Coin Microprocessor Control Panel Assembly



<u>Illus. No.</u>	<u>Part No.</u>	<u>Qty.</u>	<u>Description</u>
1	112537	1	Phase 6 Non-Coin Keyboard
	112276	1	Non-Coin Stick-On Labels (English Only)...Not Illustrated
	112275	1	3-Language Non-Coin Stick-On Labels (Spanish, Italian, and Hebrew)...Not Illustrated
	112277	1	3-Language Non-Coin Stick-On Labels (English, Spanish, and Hebrew)...Not Illustrated
	112278	1	5-Language Non-Coin Stick-On Labels (Italian, Dutch, French, German, and Chinese)...Not Illustrated
2	881745	1	Phase 6 Microprocessor Controller (computer) Panel Only
	881747	1	Phase 6 Non-Coin Non-Reversing Computer Panel Assembly Complete (includes illus. nos. 1 through 5 and 7 through 9)
	881746	1	Phase 6 Non-Coin Reversing Computer Panel Assembly Complete (includes illus. nos. 1 through 5 and 7 through 9)
3	137123	1	Phase 6 Non-Coin Non-Reversing Microprocessor Controller (computer) Only
	137122	1	Phase 6 Non-Coin Reversing Microprocessor Controller (computer) Only
4	150005	3	#6-32 x 1/4" Phillips Round Head Machine Screw
5	153010	3	#6 Star Washer
6	150309	1	#10-16 x 1/2" Hex Head TEK Crimptite Screw
7	136048	1	1/8-Amp (Slo-Blo) Fuse
8	136017	1	3.15-Amp (fast acting) Fuse
9	136019	1	1-Amp (fast acting) Fuse

Phase 5 Coin Microprocessor Control Panel Assembly

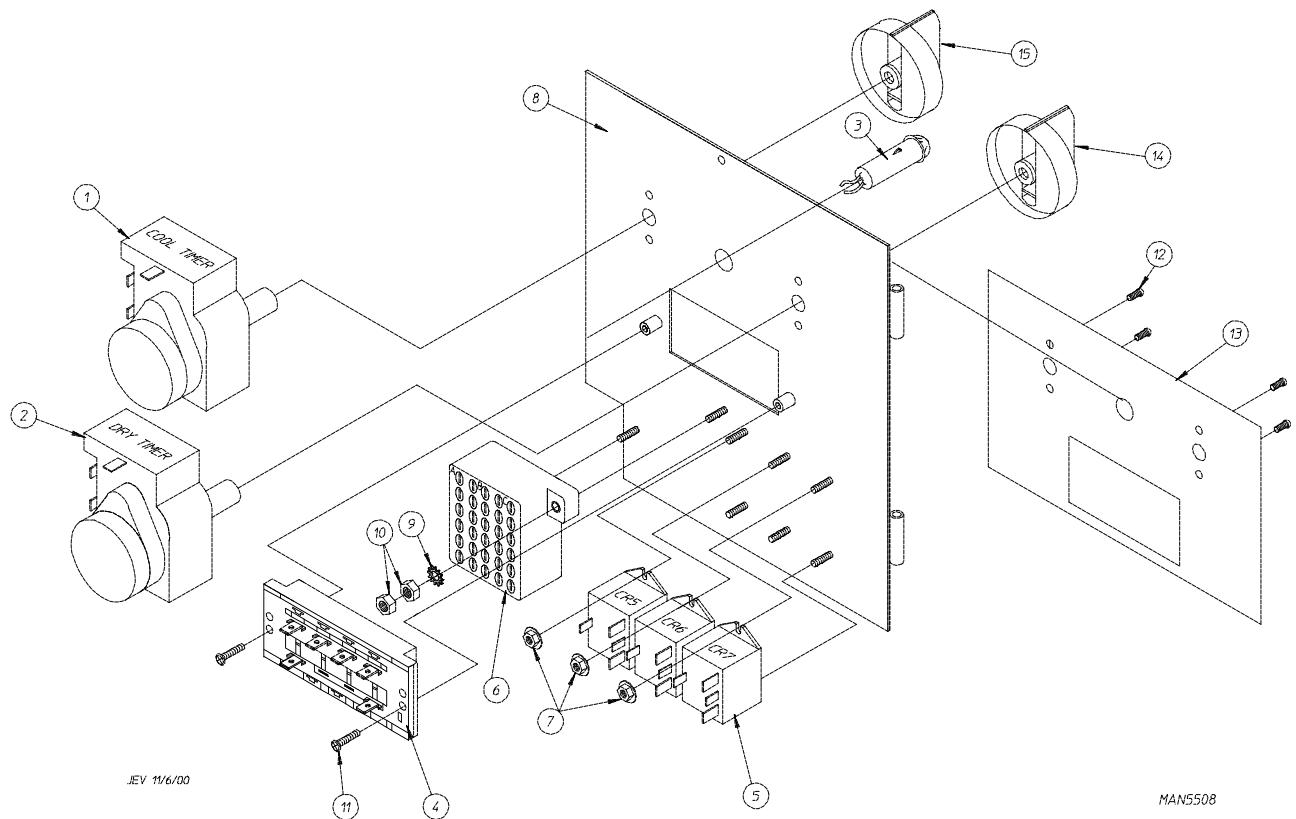


MAN1283

<u>Illus. No.</u>	<u>Part No.</u>	<u>Qty.</u>	<u>Description</u>
1	112526	1	Coin Keyboard Label Assembly
2	883582	1	Phase 5 Coin Control Panel Assembly with Battery Option (includes illus. nos. 1, 2, and 4 through 6)
	883581	1	Phase 5 Coin Control Panel Assembly (includes illus. nos. 1, 2, and 4 through 6)
	883580	1	Coin Control Panel Only
	883579	1	Coin Control Panel Only with Battery Bracket
3	150309	1	#10-16 x 1/2" Hex Head TEK Crimpite Screw
4	137213	1	Phase 5 Coin Controller Only
	824998	1	Phase 5 Battery Clip
5	153010	2	#6 Star Washer
6	150005	2	#6-32 x 1/4" Phillips Round Head Machine Screw
7	125103	1	0.882 Token Coin Acceptor with Optic Switch
	125121	1	0.800 Token Coin Acceptor with Optic Switch
8	137056	1	Optic Switch Only
9	137023	1	Optic Switch Connector Only
10	137021	3	Microprocessor Socket Only
	880772	1	Single Coin Optical Switch Harness
	122800	1	Microprocessor (female) Pin Extraction Tool
11	136048	1	1/8-Amp (Slo-Blo) Fuse

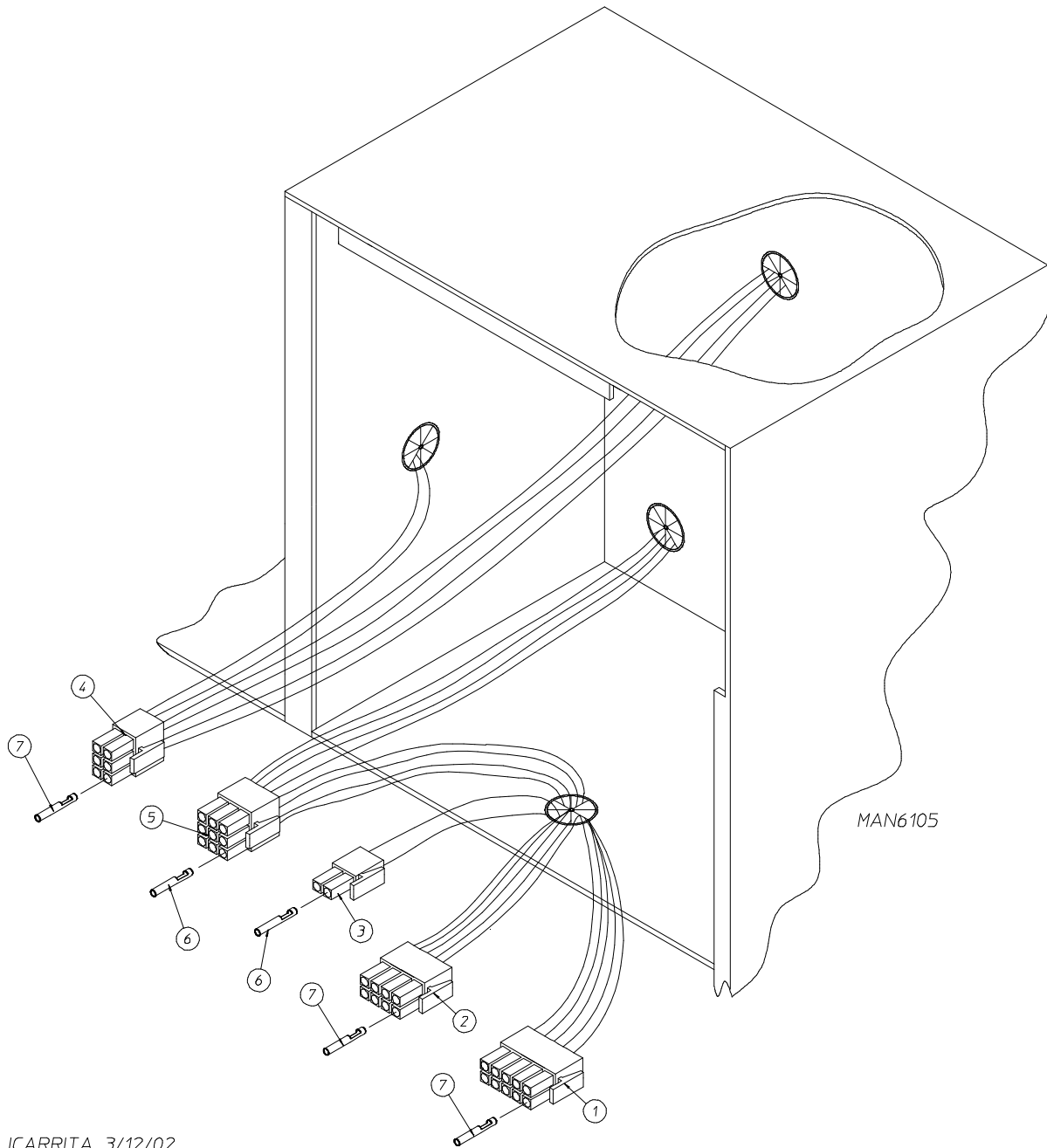
IMPORTANT: Check label on computer chip to verify correct part number of controller (computer).

Dual Timer “Tap Touch” Controls



<u>Illus. No.</u>	<u>Part No.</u>	<u>Qty.</u>	<u>Description</u>
1	824298	1	15 Minute Timer - 24 VAC
2	824299	1	60 Minute Timer - 24 VAC
3	824175	1	Red Pilot Light - 24 VAC
4	122301	1	“Tap Touch” Switch
5	131932	3	24V SPST Relay (for electric models Only)
6	120730	1	30-Position Terminal Block
7	151000	6	#6-32 Pal Nut
8	882903	1	Dual Timer Panel Complete (includes illus. nos. 1 through 15)
	850392	-	Dual Timer Panel Only
9	153010	2	#6 Star Washer
10	152000	2	#6-32 Hex Nut
11	150108	2	#8-32 x 1/2” Phillips Pan Head Machine Screw
12	150110	4	#8-32 x 1/4” Phillips Round Head Machine Screw
13	112563	1	Dual Timer Panel Overlay
14	124104	1	Pure Touch Knob with Red Pointer
15	124105	1	Pure Touch Knob with Blue Pointer

Phase 7 Microprocessor Control Box Assembly

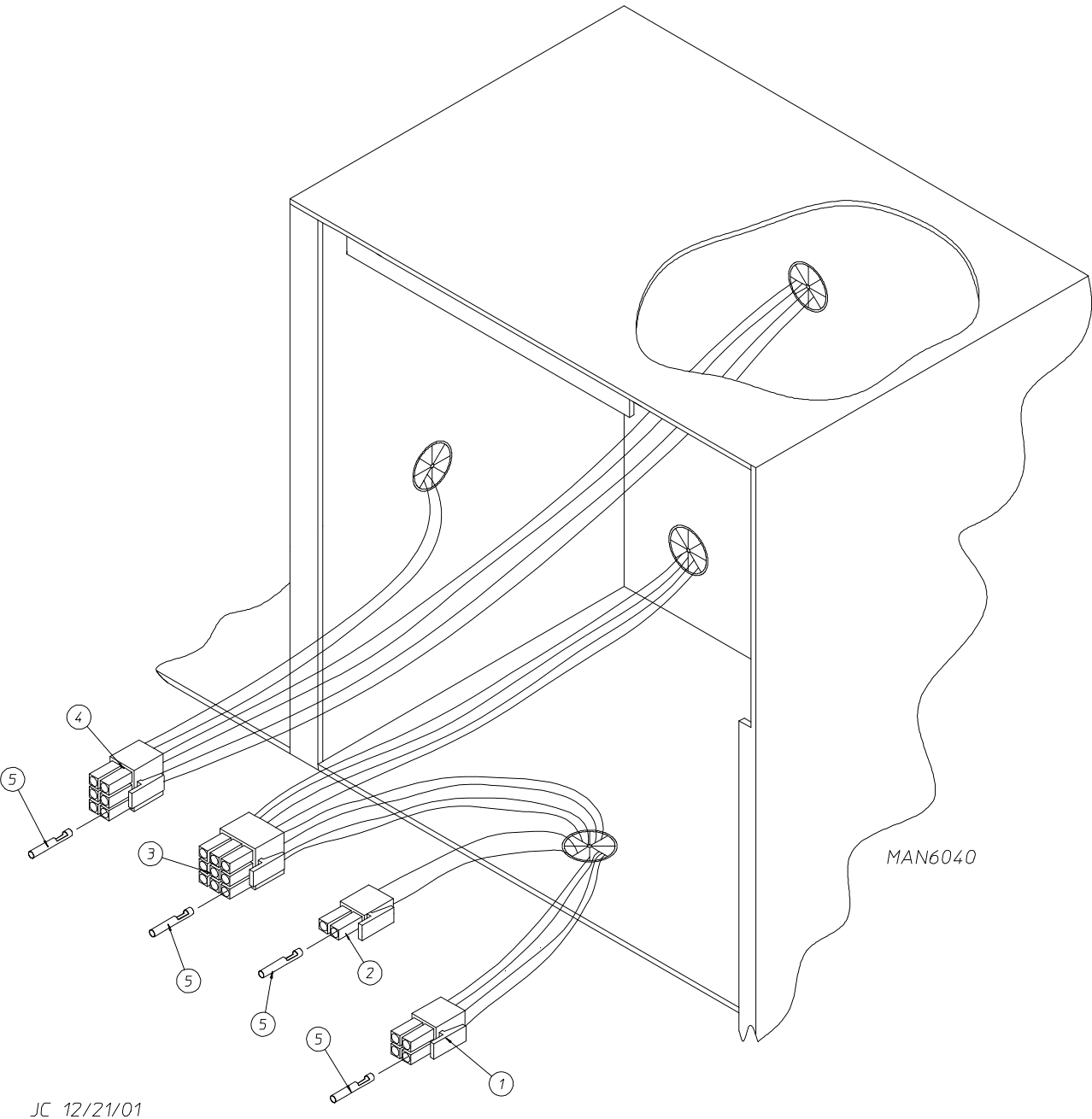


JCARRITA 3/12/02

<u>Illus. No.</u>	<u>Part No.</u>	<u>Qty.</u>	<u>Description</u>
1	122681	1	10-Pin Connector
2	122676	1	8-Pin Connector
3	122646	1	2-Pin Connector
4	122683	1	6-Pin Connector (for use with non-coin microprocessor Only)
5	122640	1	9-Pin Connector
6	122706	*	Socket Terminal Only
7	122669	*	Female Crimp Terminal

* As needed.

Phase 6 Non-Coin Microprocessor Control Box Assembly

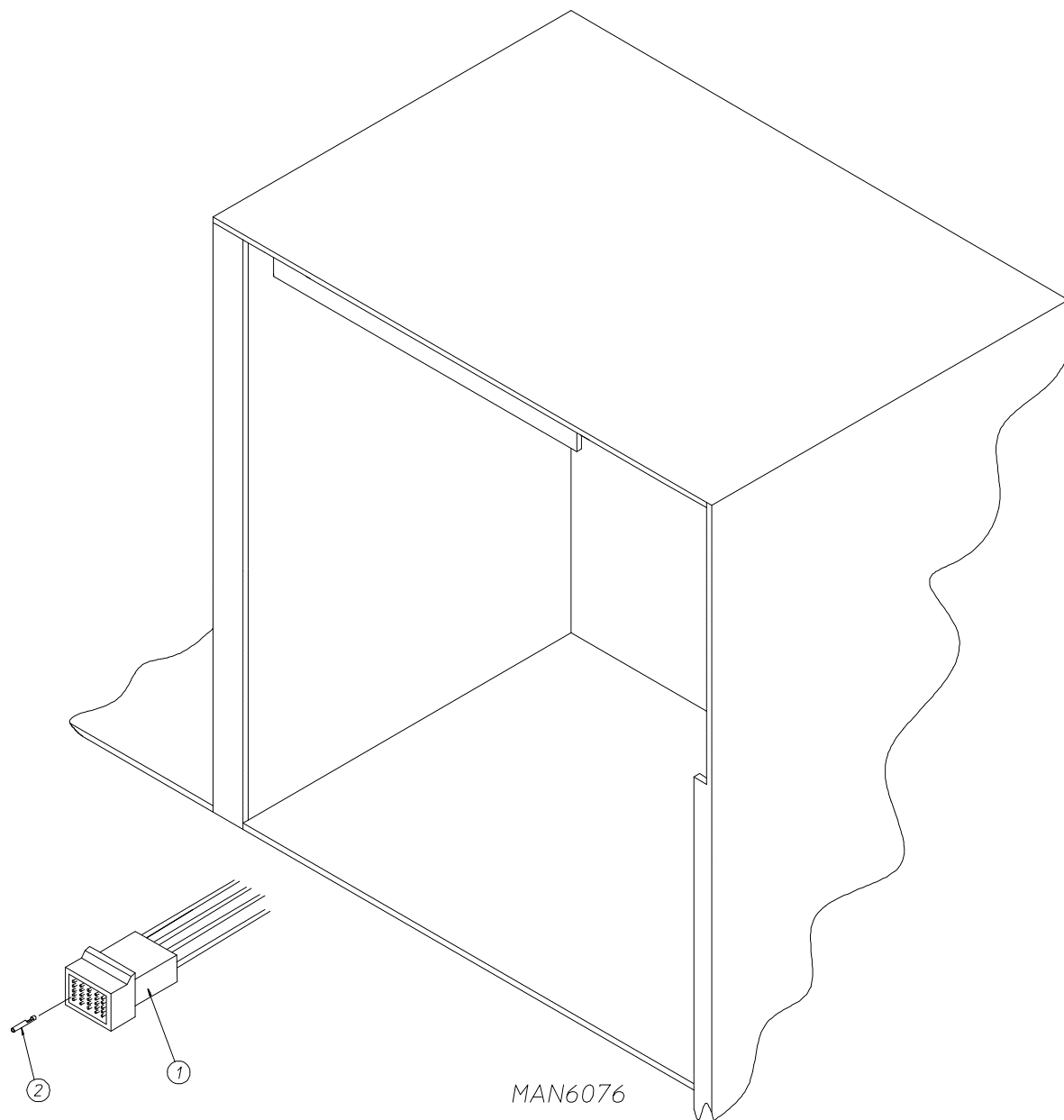


JC 12/21/01

<u>Illus. No.</u>	<u>Part No.</u>	<u>Qty.</u>	<u>Description</u>
1	122648	1	4-Pin Connector
2	122646	1	2-Pin Connector
3	122640	1	9-Pin Connector
4	122644	1	6-Pin Connector
5	122706	*	Socket Terminal Only
	122801	1	Pin/Socket Extraction Tool...Not Illustrated

* As needed.

Phase 5 Coin and Dual Timer Control Box Assembly

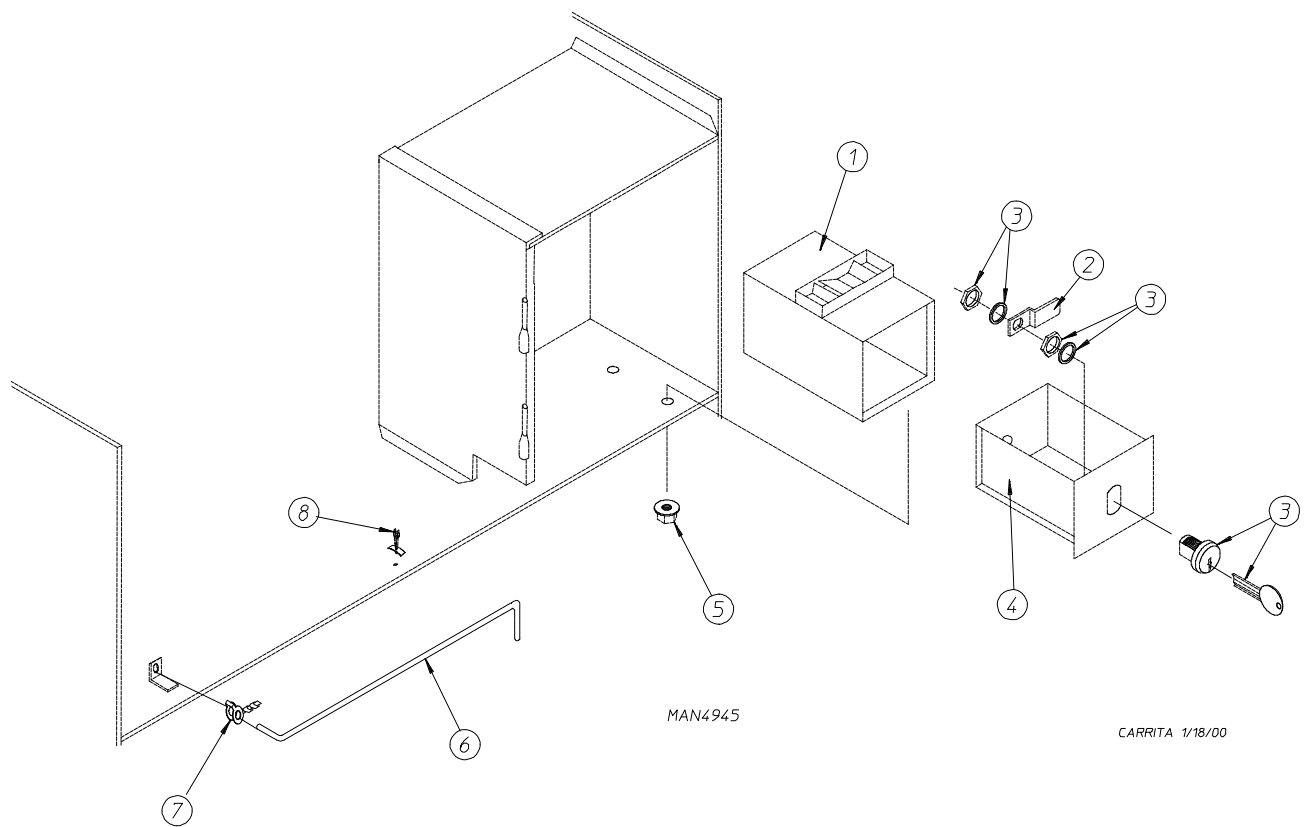


JCARRITA 2/11/02

<u>Illus. No.</u>	<u>Part No.</u>	<u>Qty.</u>	<u>Description</u>
1	122641	1	15-Pin Microprocessor Controller (computer) Connector
2	122706	*	Socket Terminal Only
	122801	1	Pin/Socket Extraction Tool...Not Illustrated

* As required.

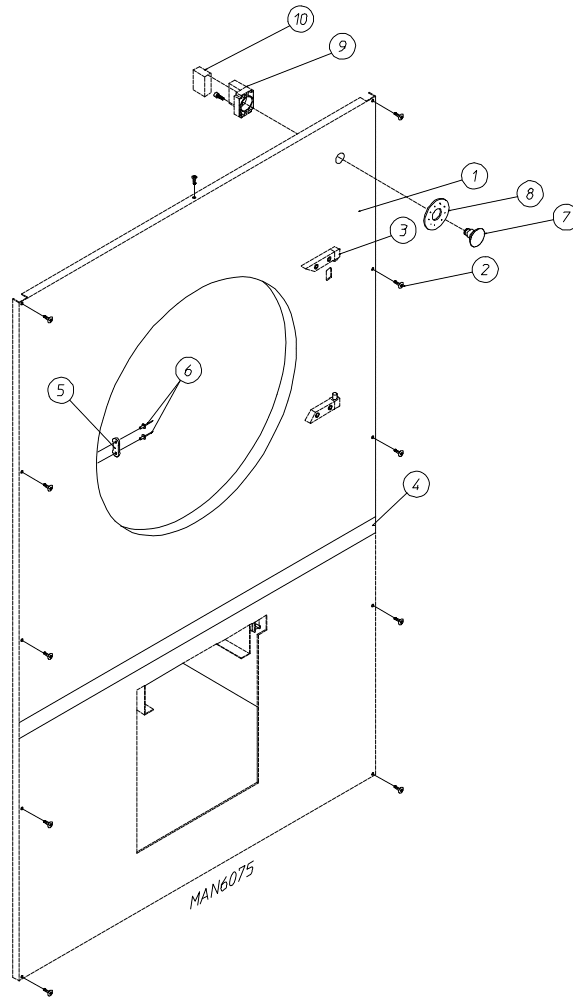
Coin Vault Assembly



<u>Illus. No.</u>	<u>Part No.</u>	<u>Qty.</u>	<u>Description</u>
1	884050	1	Phase 7 Microprocessor Coin Vault Assembly Complete (includes illus. nos. 1 through 5)
	823143	1	Phase 7 Microprocessor Coin Vault Only
	802112	1	Phase 5 Microprocessor Coin Vault Assembly Complete (includes illus. nos. 1 through 5)
	802117	1	Phase 5 Microprocessor Coin Vault Only
	802110	1	Non-Microprocessor Coin Vault Assembly Complete (includes illus. nos. 1 through 5)
	802115	1	Non-Microprocessor Coin Vault Only
2	160028	1	Cam for 1/4 Turn Lock Only
3	875061	1	1/4 Turn Lock with Key and Cam
	160105*	1	1/4 Turn Mer-Pel Key Only
4	802020	1	1/4 Turn Coin Box Assembly (includes illus. nos. 2 through 4)
5	152014	4	1/4-20 Free Spin Wash Nut
6	102502	1	Control Door Support Rod
7	102601	1	Control Door Rod Retainer Clip
8	102603	1	Control Door Rod Catch

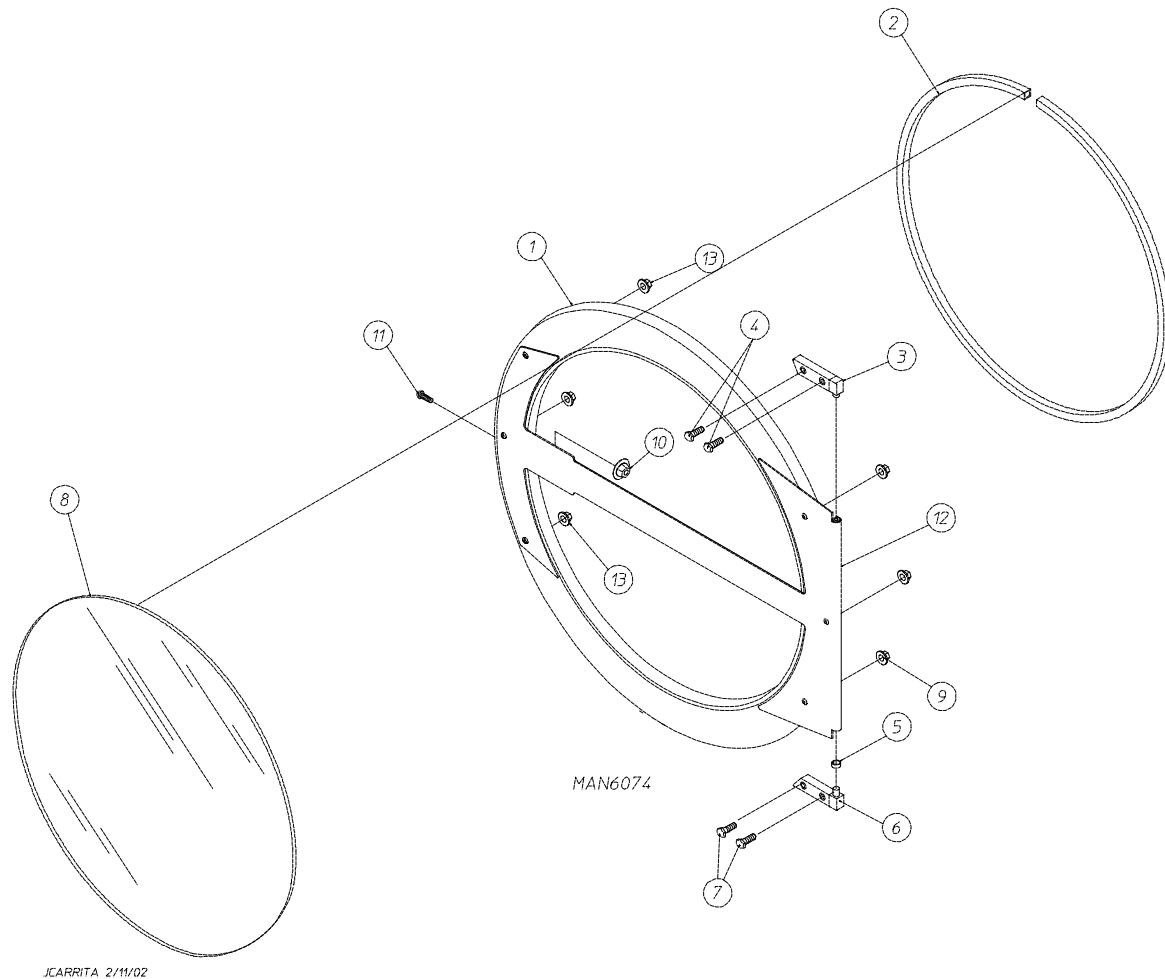
* Specify key number when ordering.

Front Panel Assembly



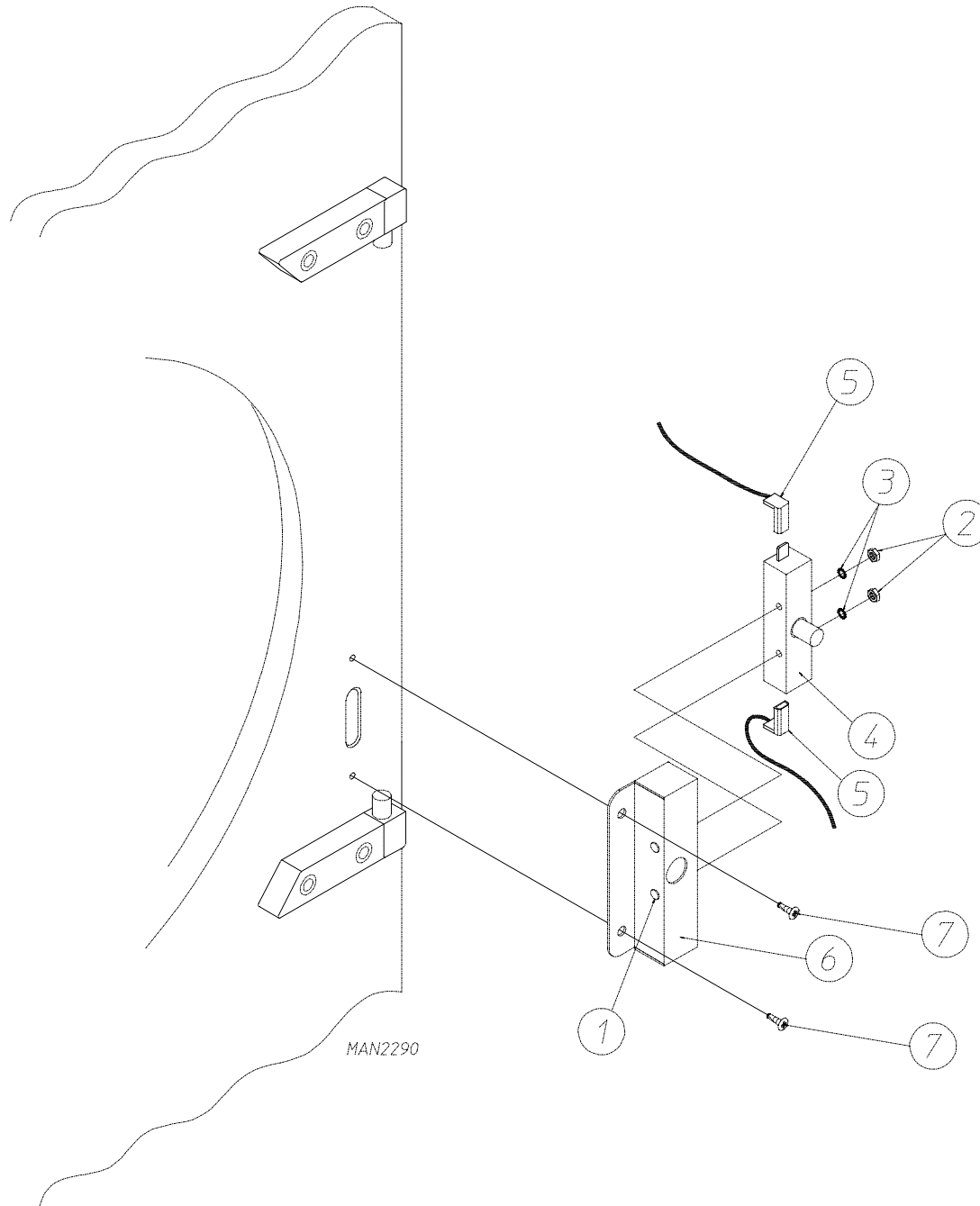
<u>Illus. No.</u>	<u>Part No.</u>	<u>Qty.</u>	<u>Description</u>
1	883272	1	White Front Panel Assembly (for models mfd. with "EMERGENCY STOP" [E-Stop] button) (includes illus. nos. 1 and 4 through 6)
	882958	1	White Front Panel Assembly (for models mfd. without "EMERGENCY STOP" [E-Stop] button) (includes illus. nos. 1 and 4 through 6)
2	150313	11	#10-16 x 1/2" TORX + BTN, Type 1
	150318	1	25 IP TORX + Bit (for removal of TORX head screw)
3	-----	1	Main Door Hinge (refer to Main Door "Steel" Assembly on page 17)
4	882970	1	Front Panel Trim Assembly
5	881987	1	Friction Door Latch Assembly (includes illus. nos. 5 and 6)
6	154215	2	5/32" Pop Rivet
7	123500	1	"EMERGENCY STOP" Push/Pull Button
8	123506	1	"EMERGENCY STOP" Nameplate
9	123521	1	Normally Closed Contact Block with Mounting Latch (includes illus. nos. 9 and 10)
10	123517	1	Normally Closed Contact Block

Main Door "Steel" Assembly



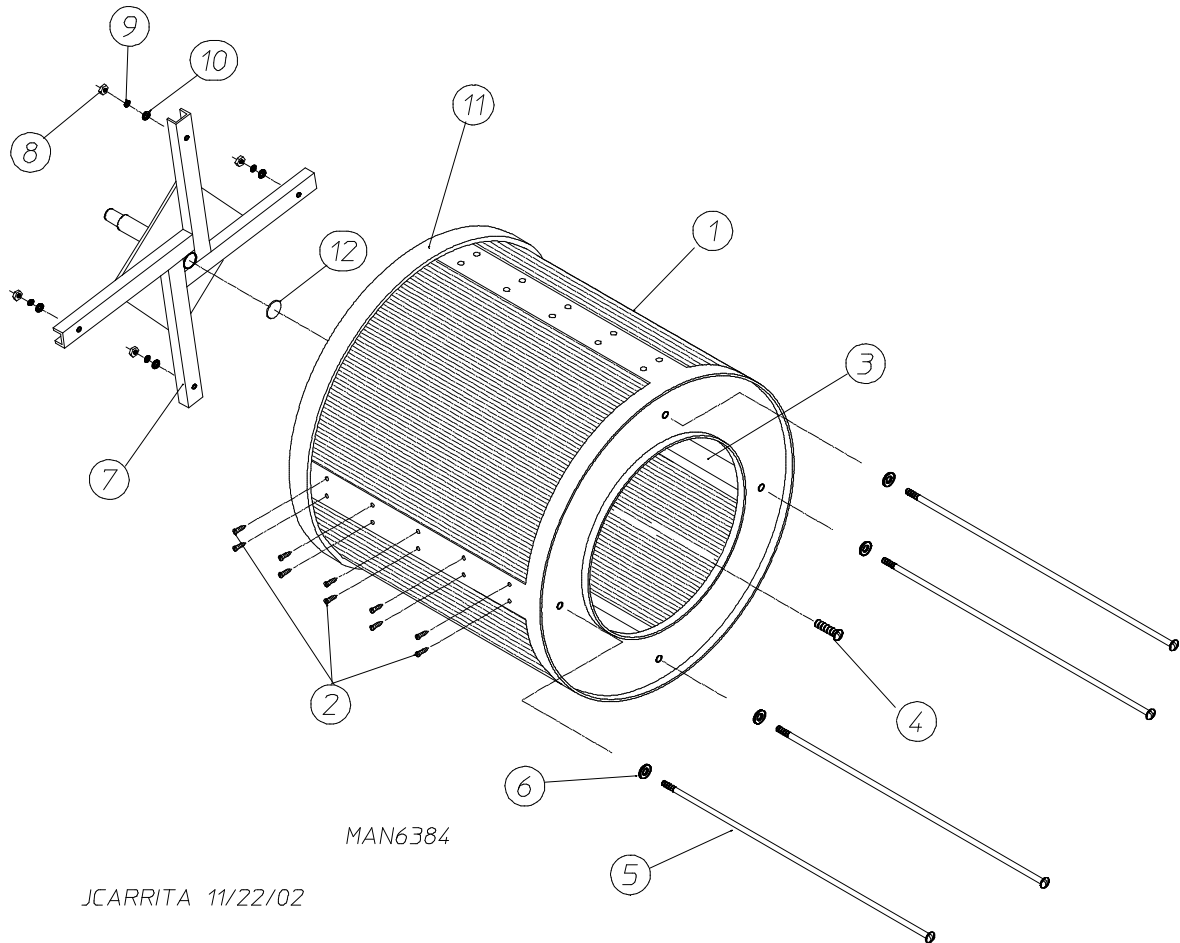
<u>Illus. No.</u>	<u>Part No.</u>	<u>Qty.</u>	<u>Description</u>
1	883274	1	White Main Door Assembly Complete (includes illus. nos. 1, 2, and 8 through 13)
2	102354	1	Door Gasket
	170730	1	Clear Gasket Adhesive (10.3 oz. cartridge)
3	881440	1	White Top Hinge Block Assembly (includes illus. nos. 3 and 4)
4	150445	2	1/4-20 x 3/4" Black Cap Head Setscrew
5	153031	1	1/4" Nylon Washer
6	881441	1	White Bottom Hinge Block Assembly (includes illus. nos. 5 through 7)
7	150445	2	1/4-20 x 3/4" Black Cap Head Setscrew
8	102211	1	20-7/16" Door Glass
	170730	1	Clear Glass Adhesive (10.3 oz. cartridge)
9	881806	3	1/4-20 White Free Spin Wash Nut
10	151010	1	#10-32 Black Hex Acorn Nut
11	150120	1	Door Latch Screw
12	883275	1	White Small Cold Rolled Steel Door Handle
13	881806	3	1/4-20 White Free Spin Wash Nut

Main Door Switch Assembly



<u>Illus. No.</u>	<u>Part No.</u>	<u>Qty.</u>	<u>Description</u>
1	150006	2	#6-32 x 7/8" Phillips Pan Head Machine Screw
2	152013	2	#6-32 Hex Nut
3	153010	2	#6 Star Washer
4	137005	1	Door Switch
5	122636	2	Flag Terminal
6	881213	1	White Main Door Switch Housing Only
	881216	1	White Main Door Switch Housing Complete (includes illus. nos. 1 through 4 and 6)
7	150301	2	#8-18 x 7/16" Phillips Pan Head TEK Screw

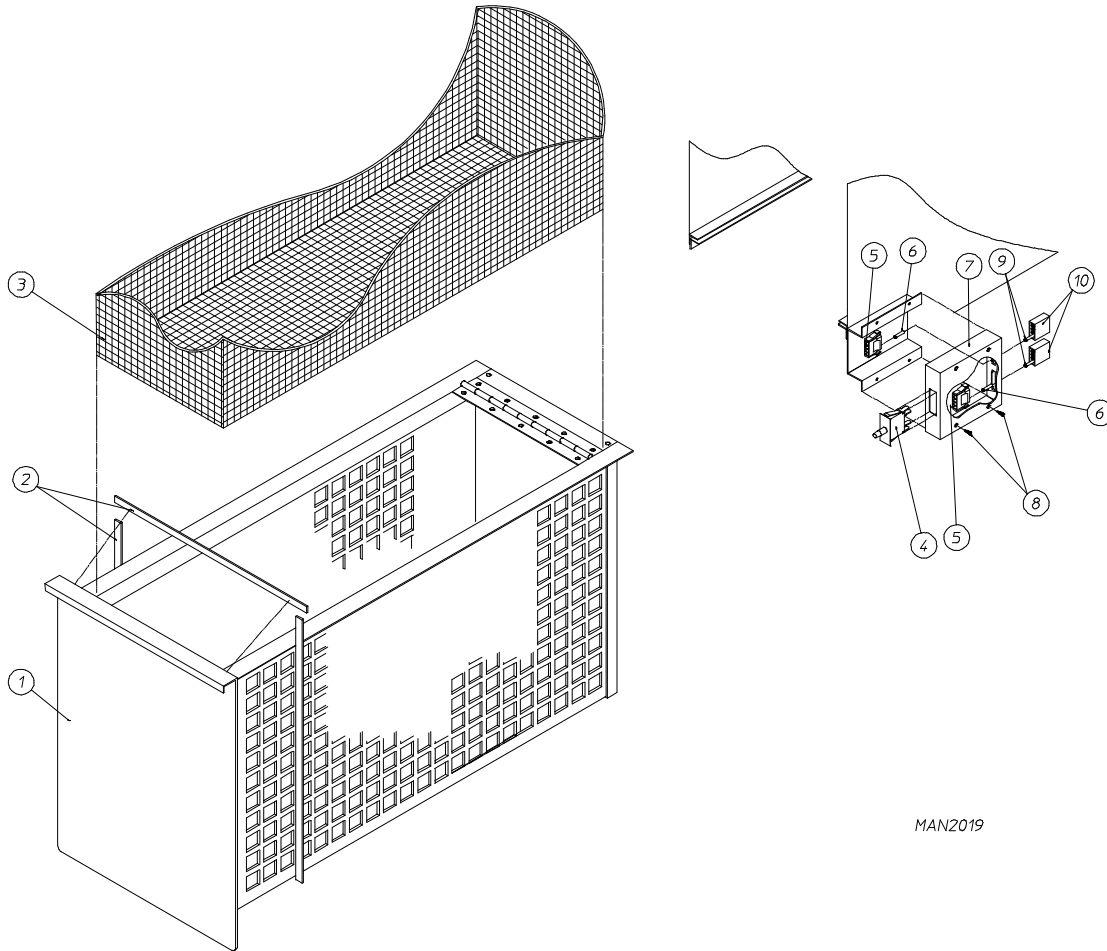
Basket (Tumbler)/Support Assemblies



Illus. No.	Part No.	Qty.	Description
1*	800736	1	Stainless Steel Basket (tumbler) Only (without felt collar)
	800757	1	Stainless Steel Basket (tumbler) and Support Assembly (includes illus. nos. 1 through 10)
2	150313	40	#10-16 x 1/2" TORX + BTN, Type 1
	150429	1	TORX Screw Hand Driver
3	301426	2	Stainless Steel Basket (tumbler) Rib Only (low rib)
	301425	2	Stainless Steel Tapered Basket (tumbler) Baffle Rib Only (high rib)
4	150500	1	5/16-18 x 3/4" Socket Button Head Screw (for models mfd. prior to January 18, 2002)
5	100903	4	3/8-16 x 38-1/2" Tie Rod
6	153004	4	3/8" Flat Washer
7	800616	1	Basket (tumbler) Support Only
8	152005	4	3/8-16 Hex Nut
9	153005	4	3/8" Lock Washer
10	153004	4	3/8" Flat Washer
11	116001	1	Felt Collar Only
--	401010	1	#847 Adhesive for Felt Collar (5.0 oz. tube)
12	115986	1	1/4" x 2" Felt Basket (tumbler) Pad (for models mfd. as of January 18, 2002)

* Felt collar is not included and **must be** ordered separately.

Lint Drawer/Lint Drawer Switch Assemblies with Replaceable Screen

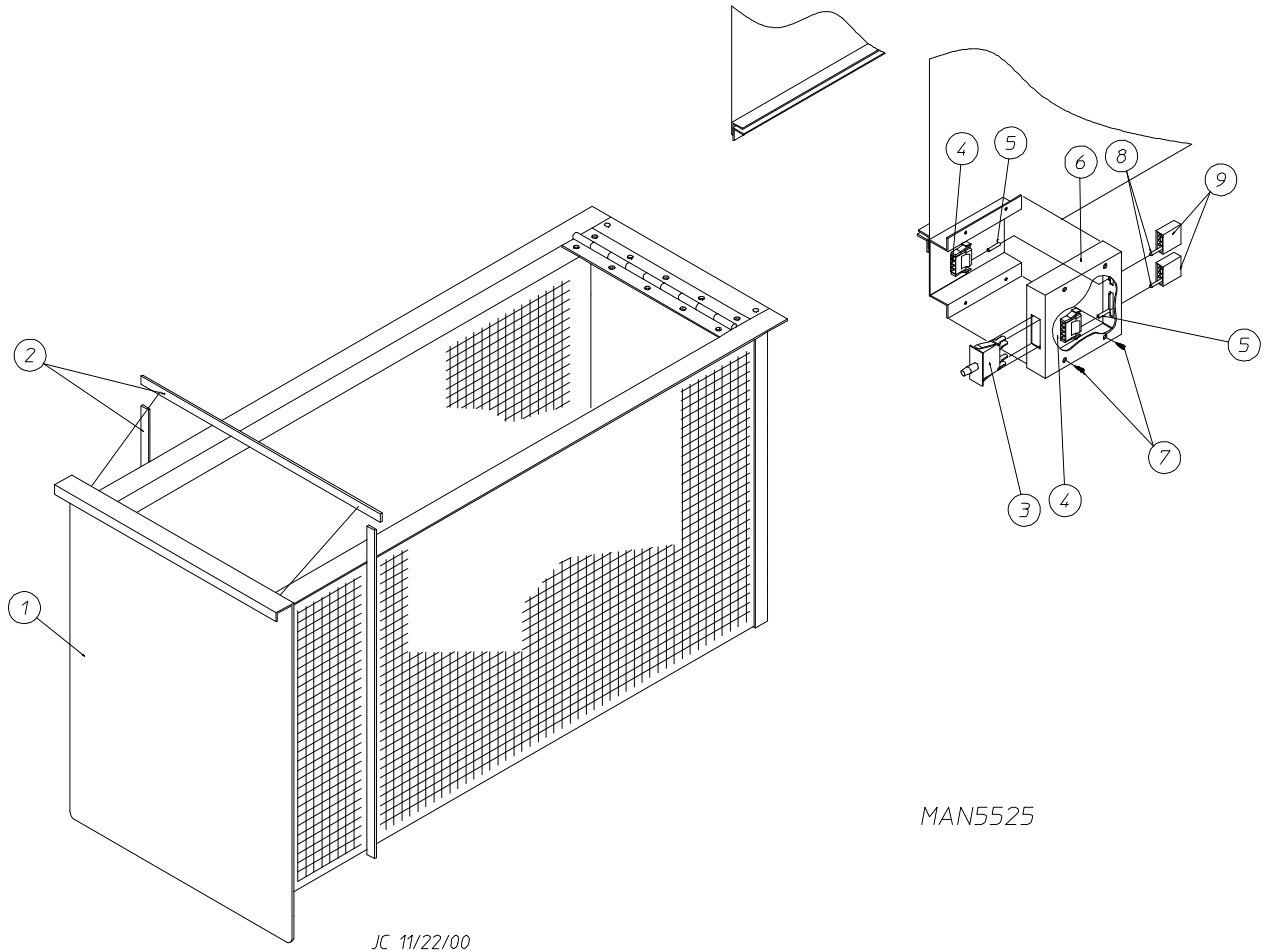


MAN2019

<u>Illus. No.</u>	<u>Part No.</u>	<u>Qty.</u>	<u>Description</u>
1	883757	1	White Lint Drawer Assembly (includes illus. nos. 1 through 3)
2	117605	5	Neoprene Sponge Tape (sold by the foot)
3	108225	1	Lint Screen Assembly
4	122116	1	Lint Drawer Switch
5	122605	1 or 2	4-Pin Connector (female)
6	122701	4	Socket Terminal Only
	122801	1	Pin/Socket Extraction Tool...Not Illustrated
7	818087	1	Lint Drawer Switch Box Assembly (for Phase 7, Phase 5 and Dual Timer models Only) (includes illus. nos. 4 through 7)
	833229	1	Lint Drawer Switch Box Assembly (for Phase 6 models Only) (includes illus. nos. 4 through 7)
	304136	1	Lint Drawer Switch Box Only
8	150301	2	#8-18 x 7/16" Phillips Pan Head TEK Screw
9	122700	*	Pin Terminal Only
10	122604	1 or 2	4-Pin Connector (male)

* as required

Lint Drawer/Lint Drawer Switch Assemblies with Permanent Screen



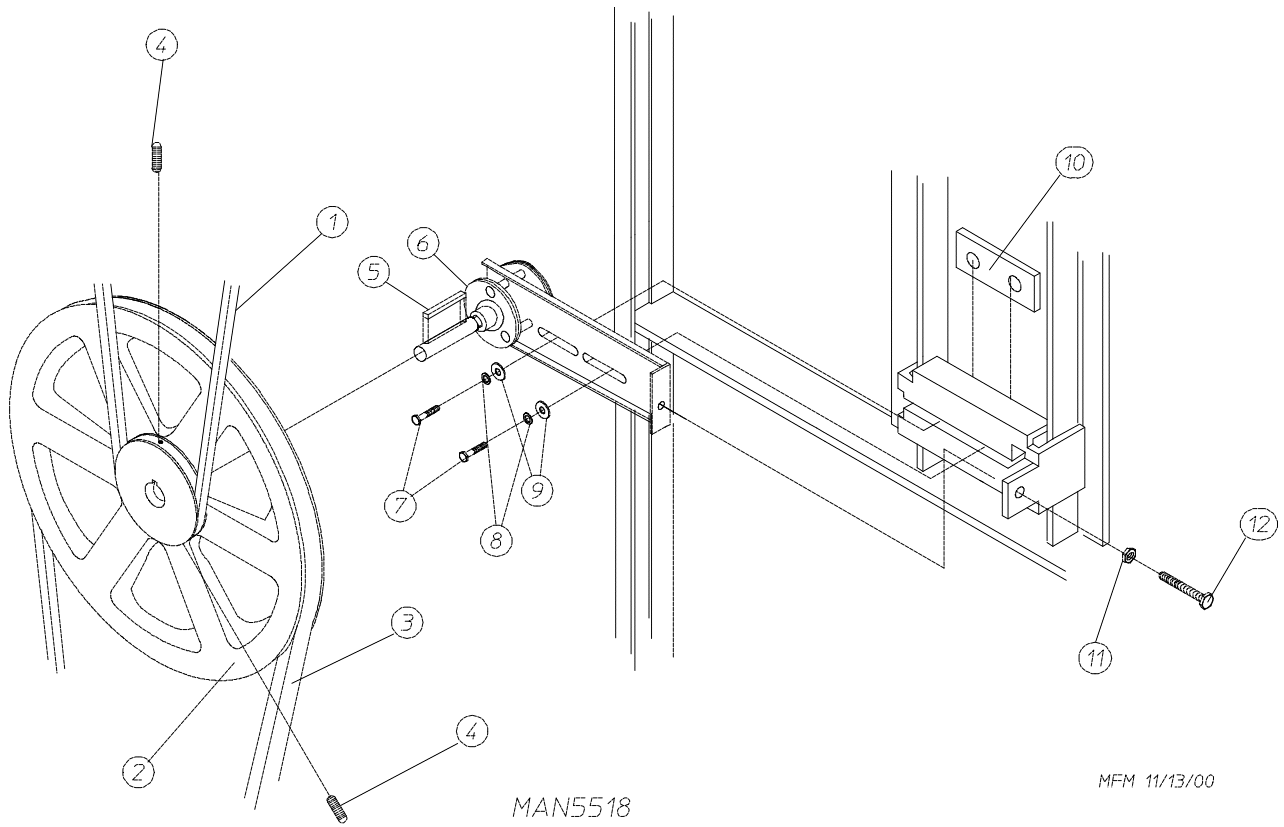
MAN5525

JC 11/22/00

<u>Illus. No.</u>	<u>Part No.</u>	<u>Qty.</u>	<u>Description</u>
1	883704	1	White Lint Drawer Assembly (includes illus. nos. 1 and 2)
2	117604	7	Noise Suppressor Tape (sold by the foot)
3	122116	1	Lint Drawer Switch
4	122605	1 or 2	4-Pin Connector (female)
5	122701	4	Socket Terminal
	122801	1	Pin/Socket Extraction Tool...Not Illustrated
6	818087	1	Lint Drawer Switch Box Assembly (for Phase 7, Phase 5 and Dual Timer models Only) (includes illus. nos. 3 through 7)
	833229	1	Lint Drawer Switch Box Assembly (for Phase 6 models Only) (includes illus. nos. 3 through 7)
	304136	1	Lint Drawer Switch Box Only
7	150301	2	#8-18 x 7/16" Phillips Pan Head TEK Screw
8	122700	*	Pin Terminal
9	122604	1 or 2	4-Pin Connector (male)

* As required.

Idler Bearing Assembly



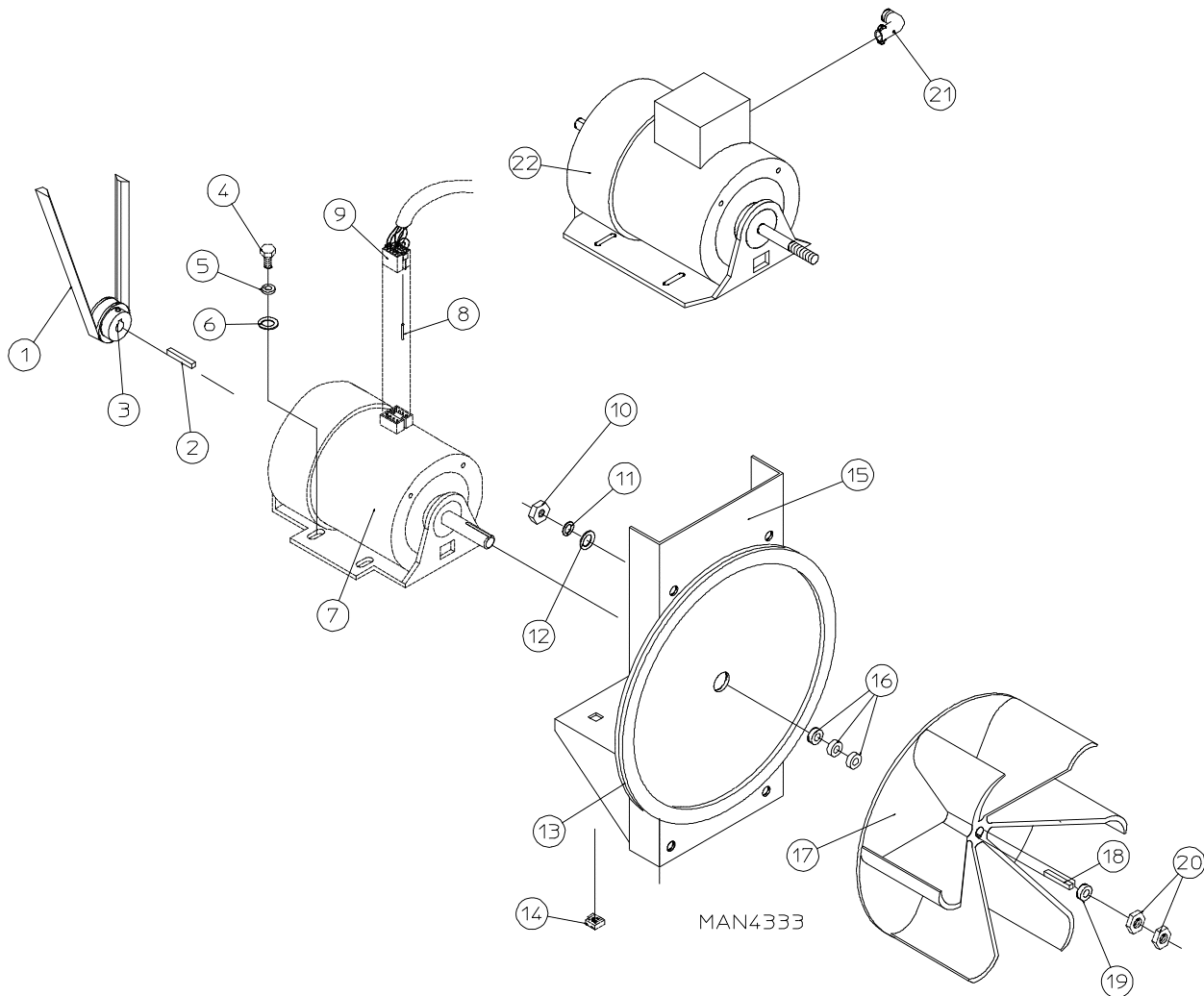
Idler Bearing Assembly

<u>Illus. No.</u>	<u>Part No.</u>	<u>Qty.</u>	<u>Description</u>
1	100100	1	5L-660 V-Belt (basket [tumbler] to idler) For Non-Reversing Models Only
	100108	1	5L-680 V-Belt (basket [tumbler] to idler) For Reversing Models Only
2	101129	1	9" x 2-1/2" Compound Pulley
3	100105	1	4L-520 V-Belt (idler to motor) For Non-Reversing Models Only
	100112	1	4L-610 V-Belt (idler to motor) For Reversing Models Only
4	154301	2	5/16-18 x 1" Allen Setscrew
5	100705	1	3/16" x 3/16" x 1-3/8" Key
6	882576	1	Idler Bearing Assembly Complete (includes illus. nos. 5 through 12)
7	150617	2	3/8-16 x 1" Hex Head Machine Bolt
8	153005	2	3/8" Lock Washer
9	153004	2	3/8" Flat Washer
10	801009	1	Idler Square Washer
11	152004	1	5/16-18 Hex Nut
12	150509	1	5/16-18 x 3" Hex Head Machine Bolt

Basket (Tumbler) Bearing Assembly

<u>Illus. No.</u>	<u>Part No.</u>	<u>Qty.</u>	<u>Description</u>
1	880220	1	1-3/4" Flange Bearing
2	153025	4	9/16" Lock Washer
3	152050	4	9/16-12 Hex Nut
4	882544	1	Pillow Block Bearing Assembly Complete (includes illus. nos. 4 through 17, 23, and 24) For Phase 5 and Dual Timer Models
	883387	1	Pillow Block Bearing Assembly Complete (includes illus. nos. 4 through 18, 23, and 24) For Phase 7 Models
	882545	1	Pillow Block Bearing Assembly Complete (includes illus. nos. 4 through 18, 23, and 24) For Phase 6 Models
	882542	1	Pillow Block Bearing Platform Only
5	880202	1	1-3/8" Pillow Block Bearing
	880779	1	1-3/8" Pillow Block Bearing (for microprocessor models with optional rotational sensor)
6	150601	2	3/8-16 x 2" Hex Bolt
7	153004	2	3/8" Flat Washer
8	153004	2	3/8" Flat Washer
9	153005	2	3/8" Lock Washer
10	152005	2	3/8-16 Hex Nut
11	154326	2	5/16-24 x 3/8" Setscrew
12	152004	2	5/16-18 Hex Nut
13	150621	2	5/16-18 x 1-1/2" Tap Bolt
14	153002	4	5/16" Lock Washer
15	153004	6	3/8" Flat Washer
16	150501	4	5/16-18 x 3/4" Tap Bolt
17	102120	1	Sintered 8 Magnet
18	883386	1	Rotational Sensor Assembly for Phase 7 Microprocessor Models
	824807	1	Rotational Sensor Assembly for Phase 6 Microprocessor Models
19	100724	1	Shaft Key (for non-reversing models Only)
	100735	1	Shaft Key (for reversing models Only)
20	101100	1	18" Pulley (for non-reversing models Only)
	101118	1	18-3/4" Pulley (for reversing models Only)
21	101110	1	1" Taper Lock Bushing (for reversing models Only)
22	100100	1	5L-660 V-Belt (basket [tumbler] to idler) For Non-Reversing Models Only
	100108	1	5L-680 V-Belt (basket [tumbler] to idler) For Reversing Models Only
23	150610	2	5/16-18 x 1-1/2 Allen Setscrew
24	152004	2	5/16-18 Hex Nut

Non-Reversing Motor Mount Assembly



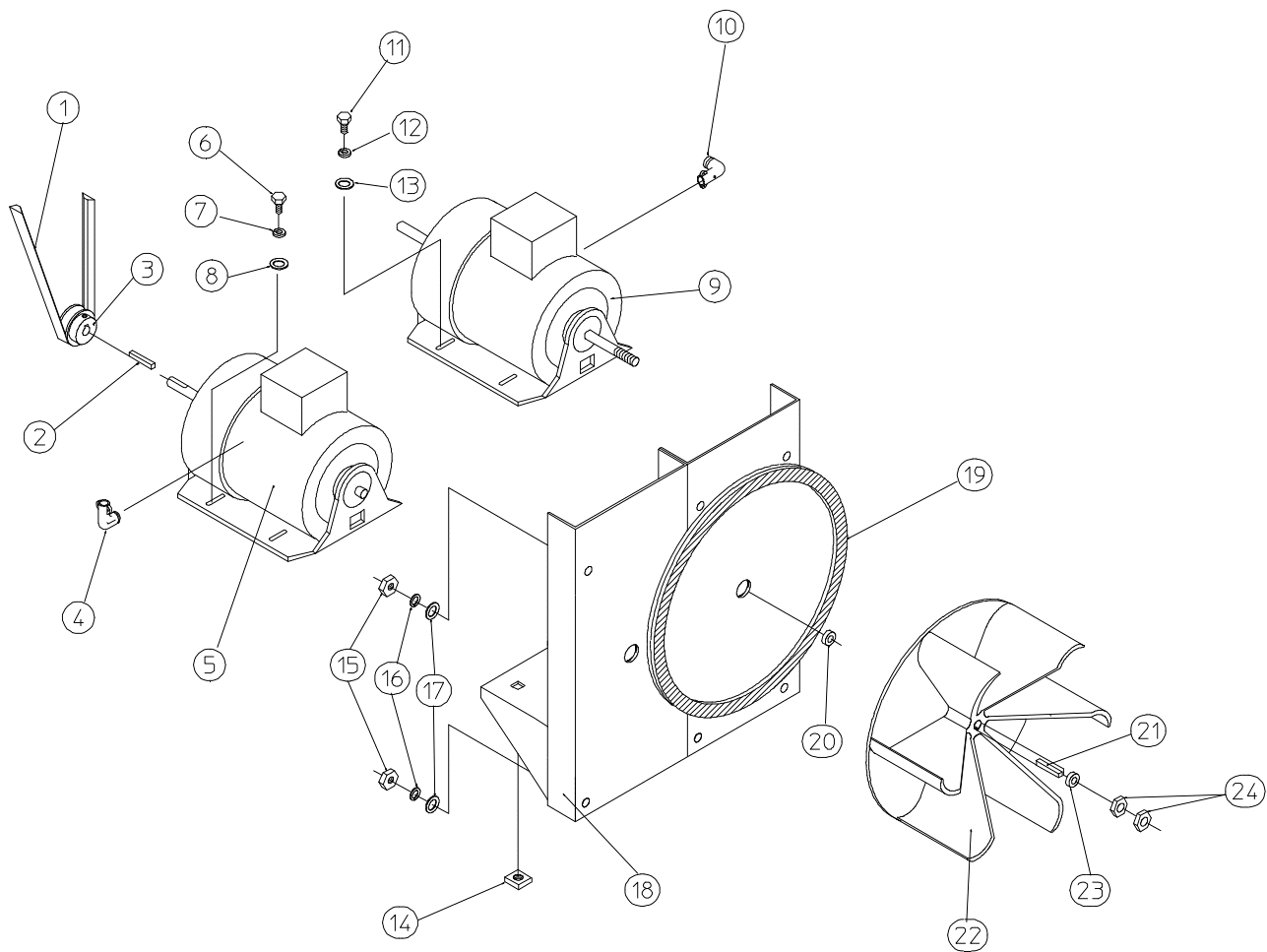
<u>Illus. No.</u>	<u>Part No.</u>	<u>Qty.</u>	<u>Description</u>
1	100105	1	4L-520 V-Belt (motor to idler)
2	100705	1	3/16" x 3/16" x 1-3/8" Key
3	101132	1	5/8" x 2" Motor Pulley (for 60 Hz models Only)
	101133	1	5/8" x 2-1/4" Motor Pulley (for 50 Hz models Only)
4	150501	4	5/16-18 x 3/4" Tap Bolt
5	153002	4	5/16" Lock Washer
6	153001	4	5/16" Flat Washer

Non-Reversing Motor Mount Assembly (continued)

<u>Illus. No.</u>	<u>Part No.</u>	<u>Qty.</u>	<u>Description</u>
7	100069	1	3/4 hp 120-230v 1 ϕ (60 Hz models Only)
	100068	1	3/4 hp 240v 1 ϕ (50 Hz models Only)
8	122701	8	Socket Terminal Only
	122801	1	Pin/Socket Extraction Tool...Not Illustrated
9	137030	1	8-Pin Housing Connector
10	152004	4	5/16-18 Hex Nut
11	153002	4	5/16" Lock Washer
12	153001	4	5/16" Flat Washer
13	117604	4	Noise Suppressor Tape (sold by the foot)
14	154000	4	5/16-18 Tinnerman Nut
15	850017	1	Non-Reversing Motor Mount Only with Gasket (includes illus. no. 13)
	817029	1	3/4 hp 120/230v 1 ϕ 60 Hz Motor Mount Assembly Complete with Plug Motor (includes illus. nos. 2 through 7 and 13 through 20)
	817074	1	3/4 hp 240v 1 ϕ 50 Hz Motor Mount Assembly Complete with Plug Motor (includes illus. nos. 2 through 7 and 13 through 20)
	817080*	1	1/2 hp 208/230/380/460v 3 ϕ 60 Hz Motor Mount Assembly Complete (includes illus. nos. 2 through 6 and 13 through 22)
	883271*	1	1/2 hp 208/230/380/460v 3 ϕ 50 Hz Motor Mount Assembly Complete (includes illus. nos. 2 through 6 and 13 through 22)
16	153050	3	1/2" S.A.E. Flat Washer
17	100604	1	12-1/2" Impellor with 1/2" Bore
18	100702	1	1/8" x 1/8" x 1-1/2" Key
19	153050	1	1/2" S.A.E. Flat Washer
20	152006	2	1/2-20 Left Hand Jam Nut
21	120200	1	3/8" x 90° Connector
22	100007*	1	1/2 hp 208/230/380/460v 3 ϕ 50/60 Hz Motor (56Z frame)

* Specify voltage when ordering.

Reversing Motor Mount Assembly

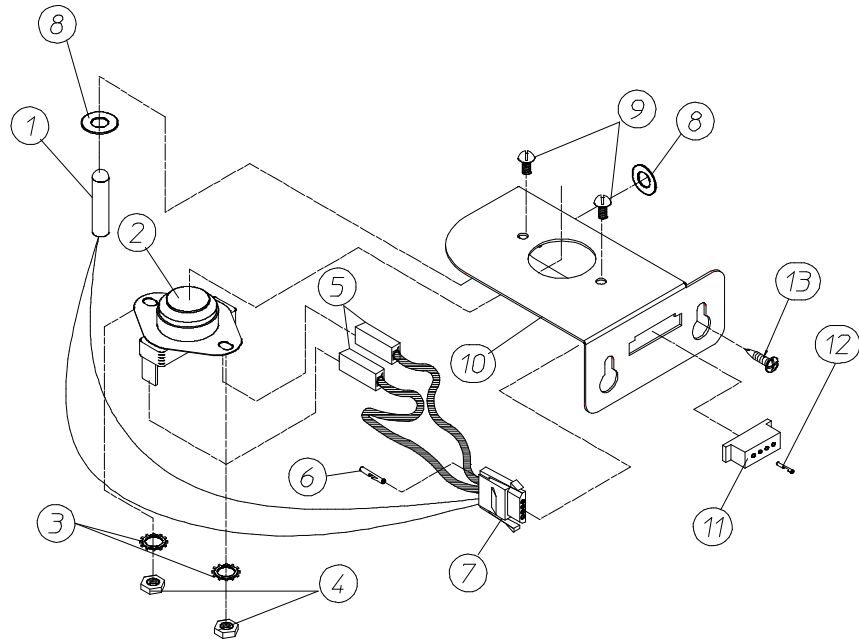


MAN0250

Reversing Motor Mount Assembly

<u>Illus. No.</u>	<u>Part No.</u>	<u>Qty.</u>	<u>Description</u>
1	100112	1	4L-610 V-Belt (motor to idler)
2	100701	1	3/16" x 3/16" x 1" Key
3	101132	1	5/8" x 2" Motor Pulley (for 60 Hz models Only)
	101133	1	5/8" x 2-1/4" Motor Pulley (for 50 Hz models Only)
4	120200	1	3/8" x 90° Connector
5*	181003	1	1/2 hp 208/230/380/460v 3ø 50/60 Hz Motor (56Z frame)
6	150501	4	5/16-18 x 3/4" Tap Bolt
7	153002	4	5/16" Lock Washer
8	153001	4	5/16" Flat Washer
9*	100007	1	1/2 hp 208/230/380/460v 3ø 50/60 Hz Motor (56Z frame)
10	120200	1	3/8" x 90° Connector
11	150501	4	5/16-18 x 3/4" Tap Bolt
12	153002	4	5/16" Lock Washer
13	153001	4	5/16" Flat Washer
14	154000	8	5/16-18 Tinnerman Nut
15	152004	7	5/16-18 Hex Nut
16	153002	4	5/16" Lock Washer
17	153001	4	5/16" Flat Washer
18	850070	1	Reversing Motor Mount Only
	803802*	1	Motor Mount Assembly Complete for 60 Hz Models Only (includes illus. nos. 2 through 14 and 18 through 24)
	803803*	1	Motor Mount Assembly Complete for 50 Hz Models Only (includes illus. nos. 2 through 14 and 18 through 24)
19	117604	4	Noise Suppressor Tape (sold by the foot)
20	153050	1	1/2" S.A.E. Flat Washer
21	100702	1	1/8" x 1/8" x 1-1/2" Key
22	100604	1	12-1/2" Impellor with 1/2" Bore
23	153050	2	1/2" S.A.E. Flat Washer
24	152006	2	1/2-20 Left Hand Jam Nut

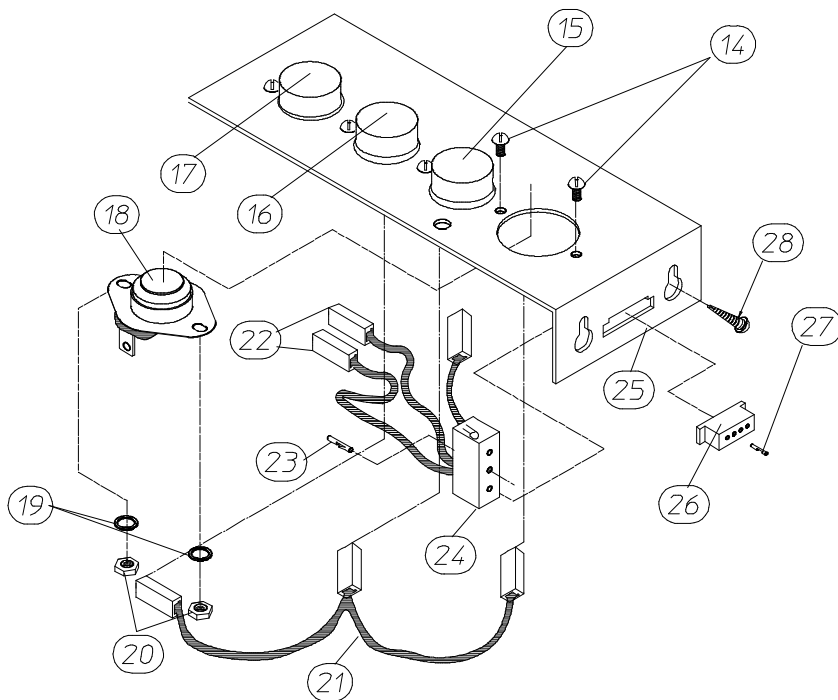
* Specify voltage when ordering.



MICROPROCESSOR SENSOR BRACKET ASSEMBLY

MAN6453

JNERY 1/23/03

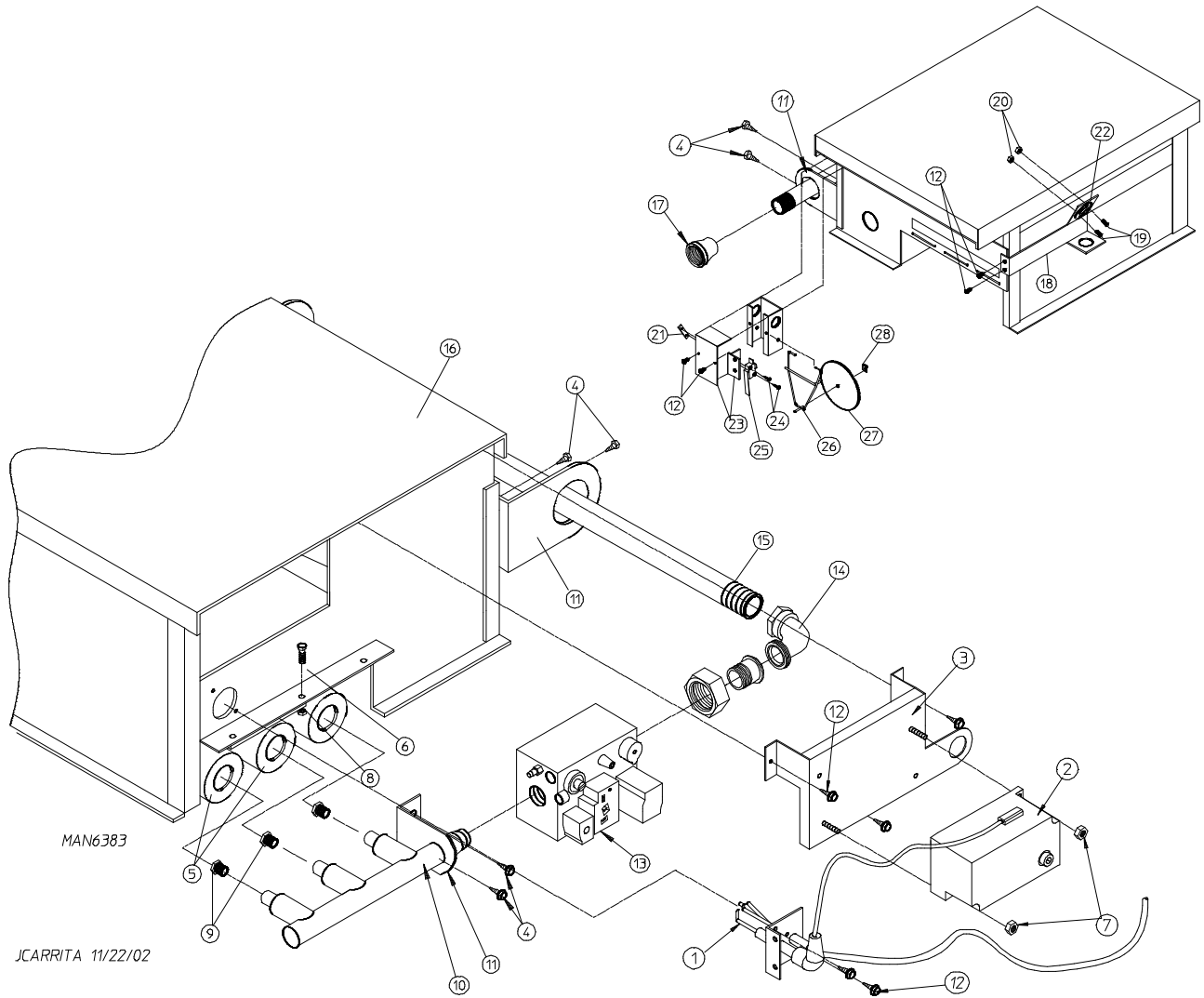


NON-COMPUTER SENSOR BRACKET ASSEMBLY

Sensor Bracket Assemblies

<u>Illus. No.</u>	<u>Part No.</u>	<u>Qty.</u>	<u>Description</u>
1	880251	1	1/4" Temperature Sensor Probe Assembly (includes illus. nos. 1 and 5 through 8)
2	130103	1	225° Hi-Limit Thermostat
3	153010	2	#6 Star Washer
4	152000	2	#6-32 Hex Nut
5	121028	2	Insulated Terminal
6	122701	4	Socket Terminal
7	122605	1	4-Pin Connector (female)
8	154007	2	1/4" Push On Fastener
9	150005	2	#6-32 x 1/4" Phillips Round Head Machine Screw
10	817046	1	Microprocessor Sensor Bracket Assembly Complete (includes illus. nos. 1 through 10)
	322214	1	Microprocessor Sensor Bracket Only
11	122604	1	4-Pin Connector (male)
12	122700	4	Pin Terminal
13	150301	2	#8-18 x 7/16" Phillips Pan Head TEK Screw
14	150005	5	#6-32 x 1/4" Phillips Round Head Machine Screw
15	130111	1	130° Thermostat
16	130100	1	150° Thermostat
17	130103	1	225° Hi-Limit Thermostat
18	130101	1	180° Thermostat
19	153010	5	#6 Star Washer
20	152000	5	#6-32 Hex Nut
21	882535	1	Sensor Jumper
22	121028	4	Insulated Terminal
23	122701	4	Socket Terminal
24	122605	1	4-Pin Connector (female)
	882534	1	Sensor Bracket Harness Assembly (includes illus. nos. 22 through 24)
25	882536	1	Noncomputer Sensor Bracket Assembly Complete (includes illus. nos. 14 through 25)
	322062	1	Universal Sensor Bracket Only
26	122604	1	4-Pin Connector (male)
27	122700	4	Pin Terminal
	122801	1	Pin/Socket Extraction Tool...Not Illustrated
28	150301	2	#8-18 x 7/16" Phillips Pan Head TEK Screw

Direct Spark Ignition Burner Assembly



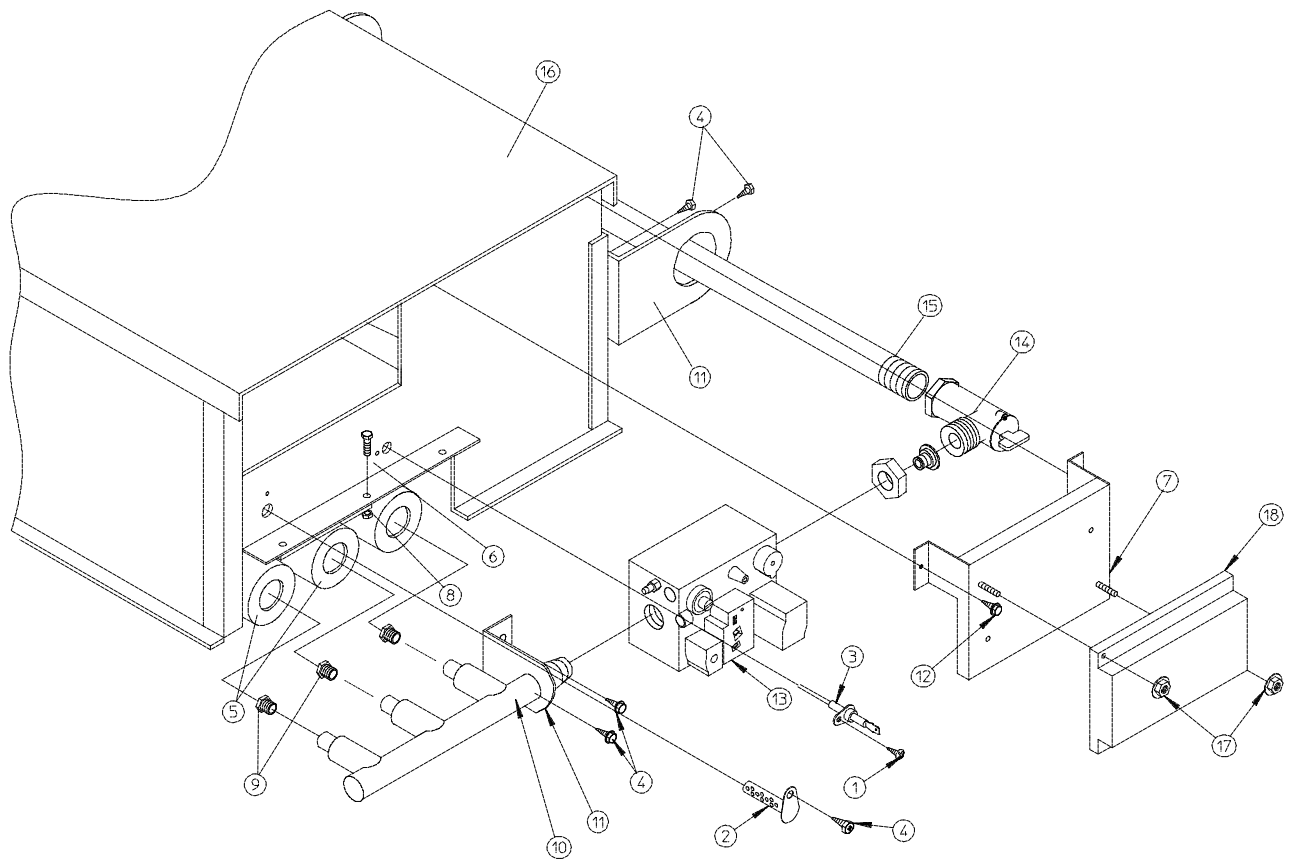
Direct Spark Ignition Burner Assembly

<u>Illus. No.</u>	<u>Part No.</u>	<u>Qty.</u>	<u>Description</u>
1	809307	1	Ignitor Probe Assembly
2	128941	1	CE Direct Spark Ignition Module (3 tries)
3	817027	1	Direct Spark Ignition Module Mounting Bracket
4	150309	5	#10-16 x 1/2" Hex Head TEK Crimptite Screw
5	141105	3	Large Tube Burner
6	150108	3	#8-32 x 1/2" Phillips Pan Head Machine Screw
7	152013	2	#6-32 Hex Nut
8	151001	3	#8-32 Pal Nut
9	140819*	3	#30 Burner Orifice (natural gas)
	140804*	3	#48 Burner Orifice (liquid propane gas)
10	141232	1	1/2" Direct Spark Ignition Manifold (3-port)
11	318700	2	Pipe Bracket (bent)
12	150300	9	#10-16 x 1/2" Hex Washer TEK Screw
13	128933	1	CE Gas Valve (natural gas)
	883255	1	CE 1/2" Liquid Propane Gas Valve
14	141317	1	1/2" Bronze Union Elbow
15	142809	1	1/2" x 29-1/8" Pipe
16	850858	1	Direct Spark Ignition Burner Box ONLY
	817174**	1	Natural Gas Burner Assembly (includes illus. nos. 1 through 8 and 10 through 28)
	817207**	1	Liquid Propane Gas Burner Assembly (includes illus. nos. 1 through 8 and 10 through 28)
	883196	1	STI-22 Liquid Propane Conversion Kit
17	142935	1	1/2" B.S.P.T. x 1/2" N.P.T. Transition Coupling
18	319704	1	Hi-Limit Mounting Bracket
19	150005	2	#6-32 x 1/4" Phillips Round Head Machine Screw
20	152013	2	#6-32 Hex Nut
21	154004	1	Twin Speed Nut
22	130201	1	330° Hi-Limit Manual Reset
23	802799	1	Sail Switch Top and Switch Bracket
24	150303	2	#4 x 3/4" Phillips Pan Head "A" Machine Screw
25	122200	1	SPST Sail Switch
26	105500	1	Sail Switch Actuator Rod
27	319202	1	Sail Switch Damper (flat)
28	154002	1	1/8" Push On Fastener

* Consult factory for elevations over 2,000 feet.

** Burner orifices *are not included* and **must be** ordered separately.

Hot Surface Ignition Gas Burner Assembly



JCARRITA 1/24/02

MAN6066

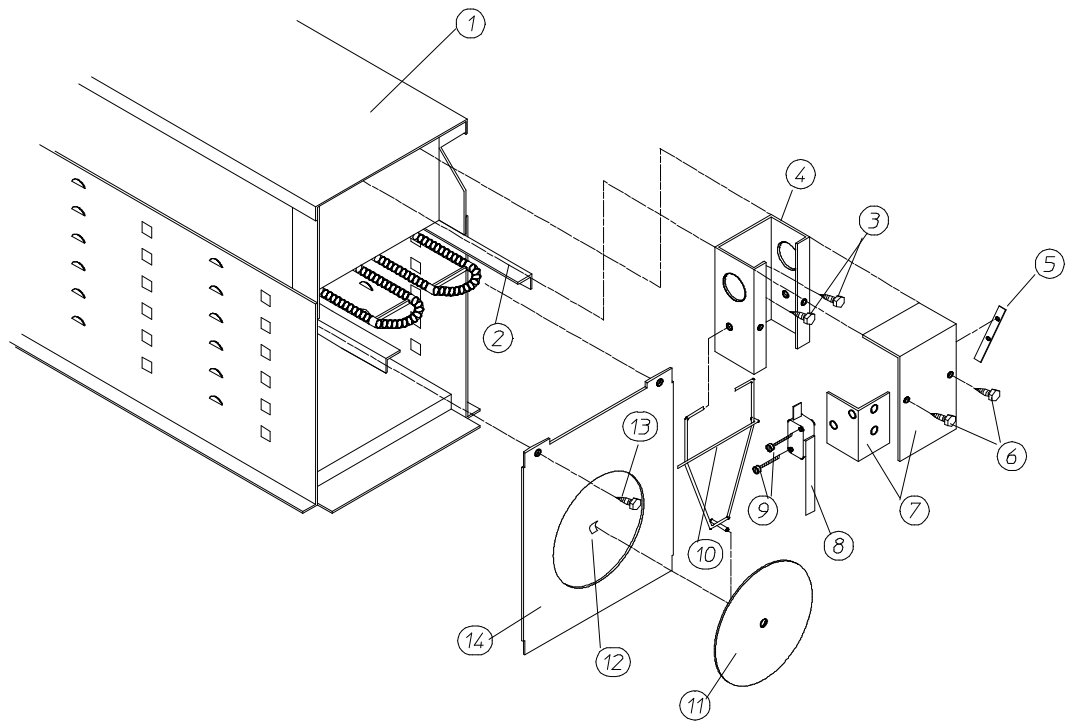
Hot Surface Ignition Gas Burner Assembly

<u>Illus. No.</u>	<u>Part No.</u>	<u>Qty.</u>	<u>Description</u>
1	150301	1	#8-18 x 7/16" Phillips Pan Head TEK Screw
2	881597	1	Hot Surface Ignitor 24V 2-1/2" Long
3	128921	1	Hot Surface Ignition Flame Sensor
4	150309	7	#10-16 x 1/2" Hex Head TEK Crimptite Screw
5	141105	3	Large Tube Burner
6	150108	3	#8-32 x 1/2" Phillips Pan Head Machine Screw
7	817091	1	Hot Surface Ignition Module Mounting Bracket Assembly
8	151001	3	#8-32 Pal Nut
9*	140819	3	#30 Burner Orifice (natural gas)
	140804	3	#48 Burner Orifice (liquid propane gas)
10	141232	1	1/2" Direct Spark Ignition Manifold (3-port)
11	318700	3	Pipe Bracket (bent)
12	150300	7	#10-16 x 1/2" Hex Washer TEK Screw
13	128933	1	CE Gas Valve (natural gas)
	883255	1	CE 1/2" Liquid Propane Gas Valve
14	141314	1	90° x 1/2" x 1-1/2" Gas Shut Off Assembly
15	142809	1	1/2" x 29-1/8" Pipe
16	817068**	1	Natural Gas Burner Assembly Complete (includes illus. nos. 1 through 8 and 10 through 18)
	817069**	1	Liquid Propane Gas Burner Assembly Complete (includes illus. nos. 1 through 8 and 10 through 18)
	883196**	1	STI-22 Liquid Propane Conversion Kit
17	151000	4	#6-32 Pal Nut
18	128975	1	CE Hot Surface Ignition Module

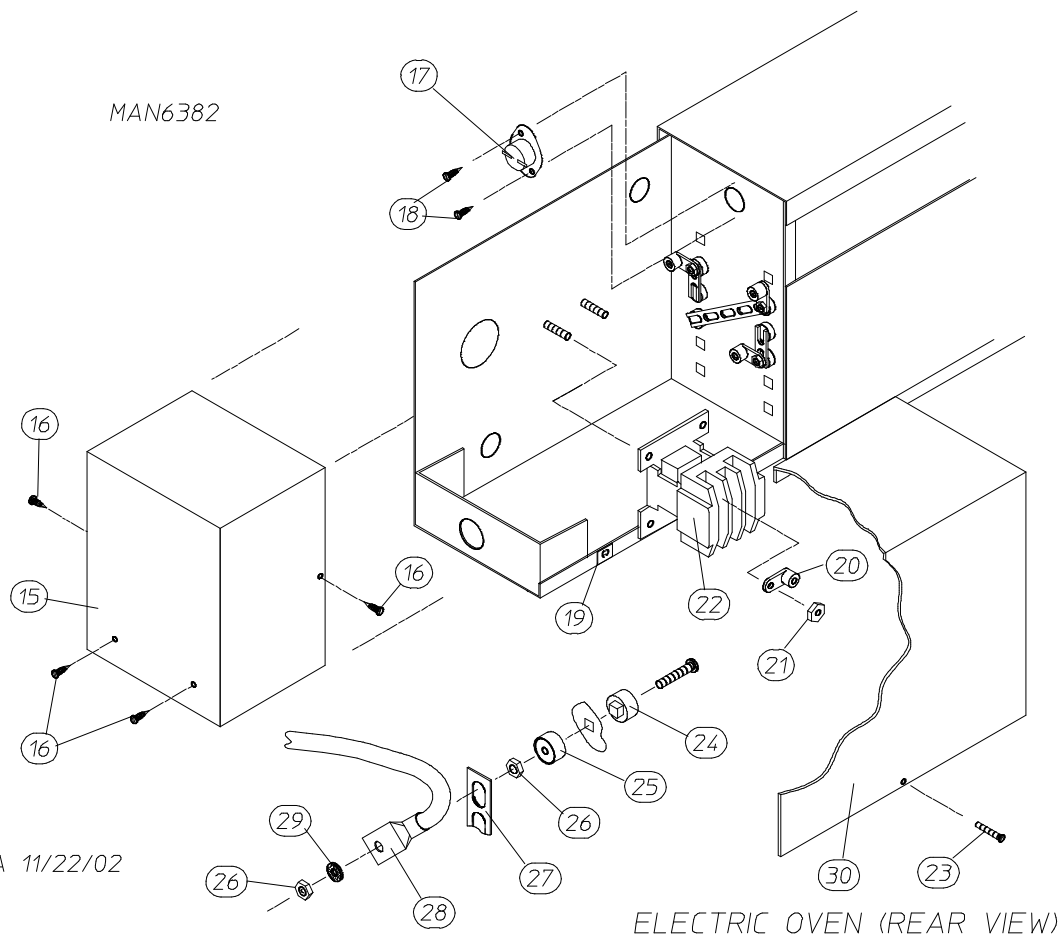
* Consult factory for elevations over 2,000 feet.

** Burner orifices *are not included* and **must be** ordered separately.

Electric Oven Assembly



ELECTRIC OVEN (FRONT VIEW)



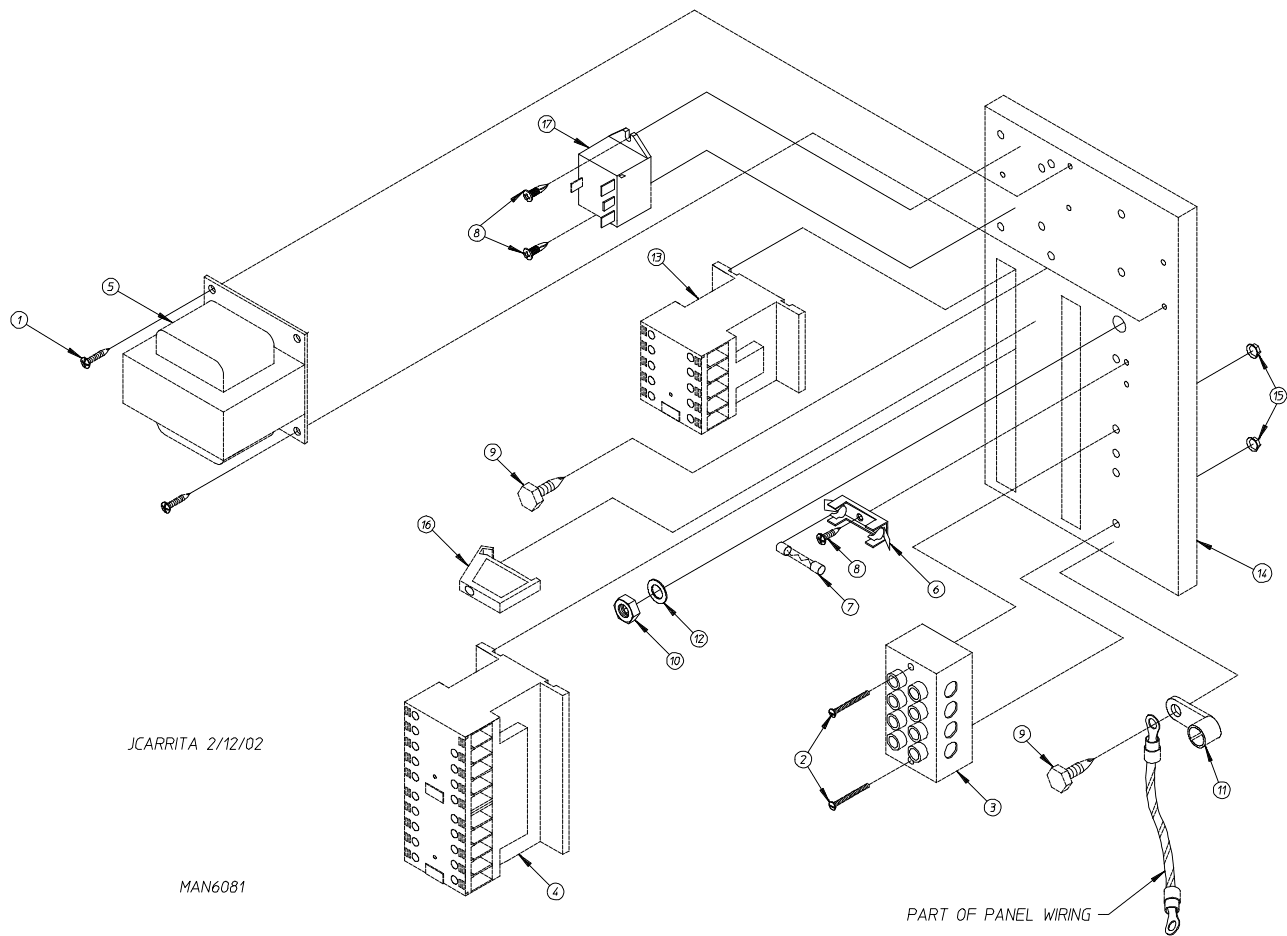
ELECTRIC OVEN (REAR VIEW)

Electric Oven Assembly

<u>Illus. No.</u>	<u>Part No.</u>	<u>Qty.</u>	<u>Description</u>
1	803007*	1	Large Electric Oven Box Only (for Phase 5, Phase 6, and Dual Timer models)
	835059	1	Large Electric Oven Box Only (for Phase 7 models)
	-----*	1	Electric Oven Assembly Complete
2	-----*	-	Electric Element
3	150300	2	#10-16 x 1/2" Hex Washer TEK Screw
4	802800	1	Sail Switch Box with Bracket and Cover Only
	802801	1	Sail Switch Box Assembly Complete (includes illus. nos. 4 through 12)
5	154004	1	Twin Speed Nut
6	150300	2	#10-16 x 1/2" Hex Washer TEK Screw
7	802799	1	Sail Switch Top and Switch Bracket
8	122200	1	SPST Sail Switch
9	150303	2	#4 x 3/4" Phillips Pan Head "A" Machine Screw
10	105500	1	Sail Switch Actuator Rod
11	319202	1	Sail Switch Damper (flat)
12	154002	1	1/8" Push On Fastener
13	150300	2	#10-16 x 1/2" Hex Washer TEK Screw
14	803100	1	Electric Oven Front Cover Only
15	320611	1	Large Relay Box Cover Only
16	150301	2	#8-18 x 7/16" Phillips Pan Head TEK Screw
17	130400	1	290° Hi-Limit Thermostat
18	150300	2	#10-16 x 1/2" Hex Washer TEK Screw
19	154001	2	#10-24 Speed Nut
20	121010	1	L-70 Ground Lug
21	152014	3	1/4-20 Free Spin Wash Nut
22	-----*	1	Oven Relay
23	150207	2	#10-24 x 1/2" Phillips Pan Head Machine Screw
24	120081	-	Internal Ceramic Insulator (2 per element)
25	120080	-	External Ceramic Insulator (2 per element)
26	152008	-	#10-32 Hex Nut (4 per element)
27	121011	-	Bus Bar (sold by the foot)
28	-----*	-	Oven Wiring
29	153009	-	#10 Star Washer (2 per element)
30	321301	1	Large Electric Oven Right Side Cover Only
	883310	1	Steam to Electric Transition Plate...Not Illustrated

* Refer to **Electrical Oven Component Application Chart** on page 50.

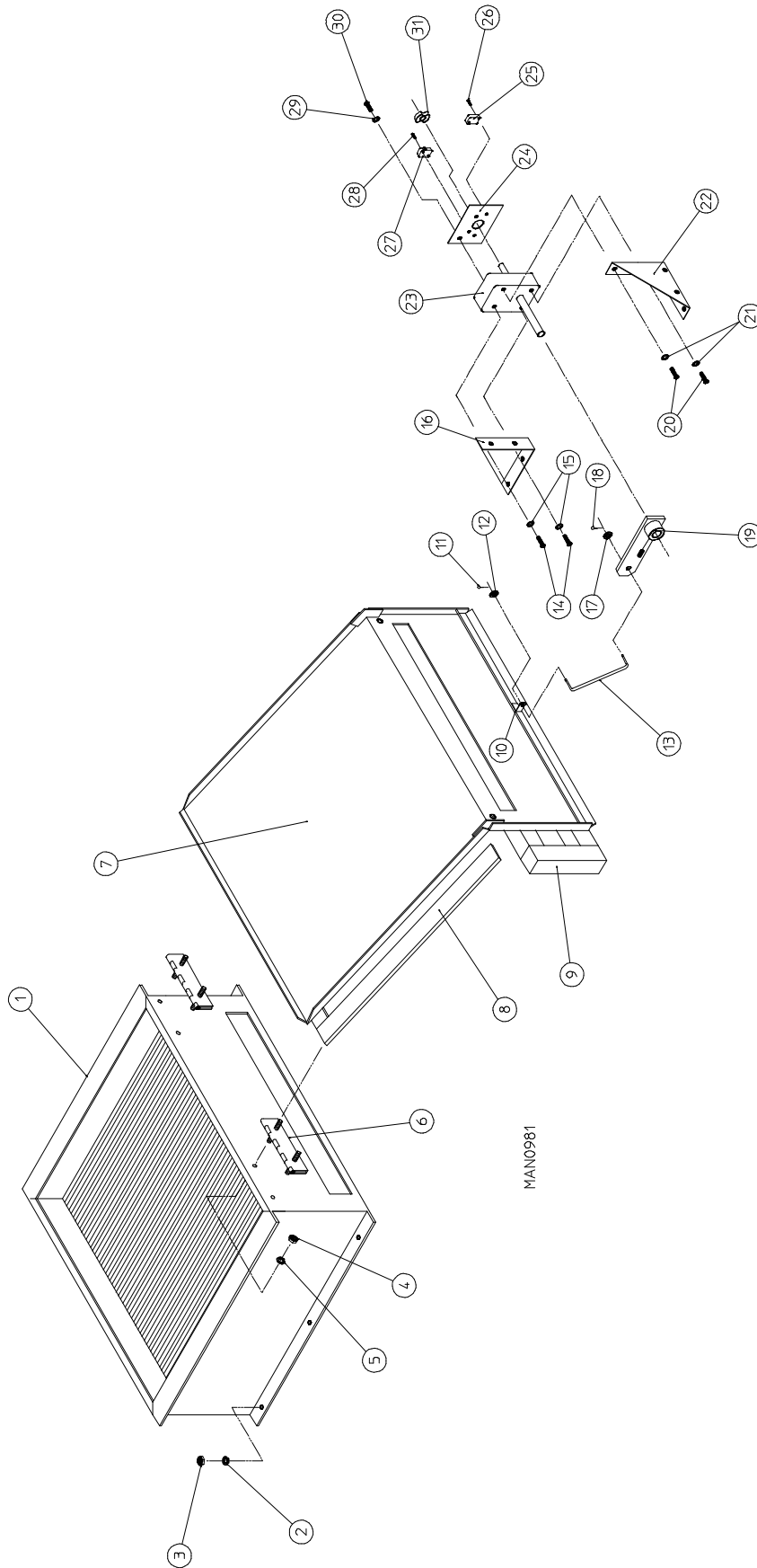
Rear Electric Panel Assembly



Rear Electric Panel Assembly

<u>Illus. No.</u>	<u>Part No.</u>	<u>Qty.</u>	<u>Description</u>
1	150300	2	#10-16 x 1/2" Hex Washer TEK Screw
2	150008	2	#6-32 x 1-1/4" Phillips Pan Head Machine Screw
3	120701	1	4-Position Terminal Block (for use on 3-Phase [3 ϕ] models)
	120716	1	2-Position Terminal Block (for use on Single-Phase [1 ϕ] models)
4	88----	1	3-Pole Reversing Contactor (for use on reversing models)
5	-----	1	Transformer (refer to Transformer Listing on page 47)
6	136008	1 or 2	Fuse Holder
7	136057	1 or 2	1/2-Amp (Slo-Blo) Fuse (for use on 208-240v gas and steam model; all 380-416v models)
	136099	1 or 2	3/4-Amp (Slo-Blo) Fuse (for use on all 115v models; 208-240v electric models)
8	150301	2 or 4	#8-18 x 7/16" Phillips Pan Head TEK Screw
9	150297	2	#10 x 1/2" Green Hex Washer TEK Screw
10	152004	1	5/16-18 Hex Nut
11	121010	2	L-70 Ground Lug
12	153002	1	5/16" Lock Washer
13	132495	1	3-Pole Contactor
14	322812	1	Rear Electric Mounting Plate Only
	-----	1	Rear Electric Panel Assembly Complete (refer to Rear Electric Panel Assembly Listing on page 48 for Phase 7 models and page 49 for Phase 5, Phase 6, and Dual Timer models)
15	151000	2	#6-32 Pal Nut
16	120765	1	Standard End Bracket
17	131932	1	24V SPST Relay (for electric models Only)

Steam Coil/Mechanical Steam Damper Assembly



Steam Coil/Mechanical Steam Damper Assembly

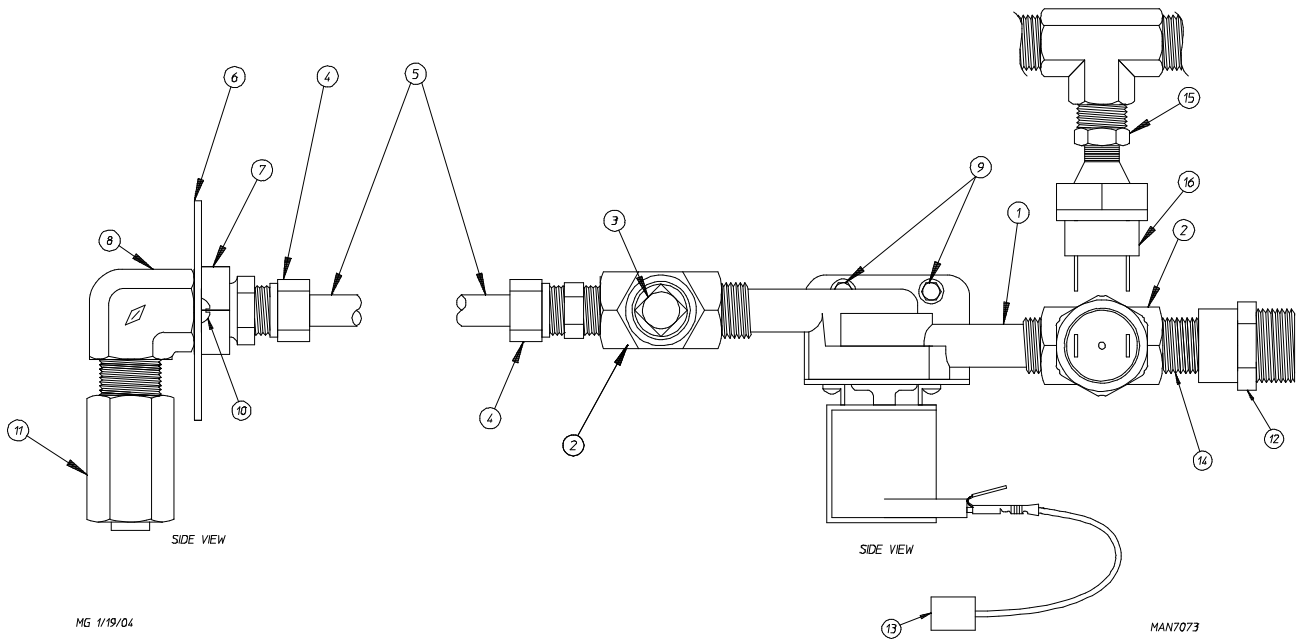
<u>Illus. No.</u>	<u>Part No.</u>	<u>Qty.</u>	<u>Description</u>
1	165011	1	Steam Coil Assembly
2	153002	6	5/16" Lock Washer
3	152004	6	5/16-18 Hex Nut
4	152002	4	1/4-20 Hex Nut
5	153007	4	1/4" Lock Washer
6	820321	2	Steam Damper Hinge Assembly
7	880781	1	Steam Damper Assembly (includes illus. nos. 7 through 10)
8	115995	66	Steam Damper Gasket (sold by the inch)
9	102350	1	Steam Damper Foam (68-1/2" length)
10	309300	1	Rod Bracket
11	154300	1	1/2" x 3/32" Cotter Pin
12	153022	1	#10 Steel Burr
13	104052	1	Mechanical Steam Damper Actuator Rod
14	150110	2	#8-32 x 1/4" Phillips Round Head Machine Screw
15	153012	2	#8 Star Washer
16	312315	1	Mechanical Steam Damper Motor Mount
17	153022	1	#10 Steel Burr
18	154300	1	1/2" x 3/32" Cotter Pin
19	850268	1	Mechanical Steam Damper Arm
20	150110	2	#8-32 x 1/4" Phillips Head Machine Screw
21	153012	2	#8 Star Washer
22	312315	1	Mechanical Steam Damper Motor Mount
23	104054	1	Mechanical Steam Damper Motor
24	100511	1	Mechanical Steam Damper Switch Plate
25	122120	1	Mechanical Steam Damper Switch
26	150026	2	#4-40 x 5/8" Phillips Pan Head Machine Screw
27	122120	1	Mechanical Steam Damper Switch
28	150026	2	#4-40 x 5/8" Phillips Pan Head Machine Screw
29	153012	2	#8 Star Washer
30	150102	2	#8-32 x 3/8" Pan Head Machine Screw
31	-----*	1	Mechanical Steam Damper Motor Cam

* The mechanical steam damper motor cam is part of the mechanical steam damper motor.

Steam Coil/Air-Operated Steam Damper Assembly

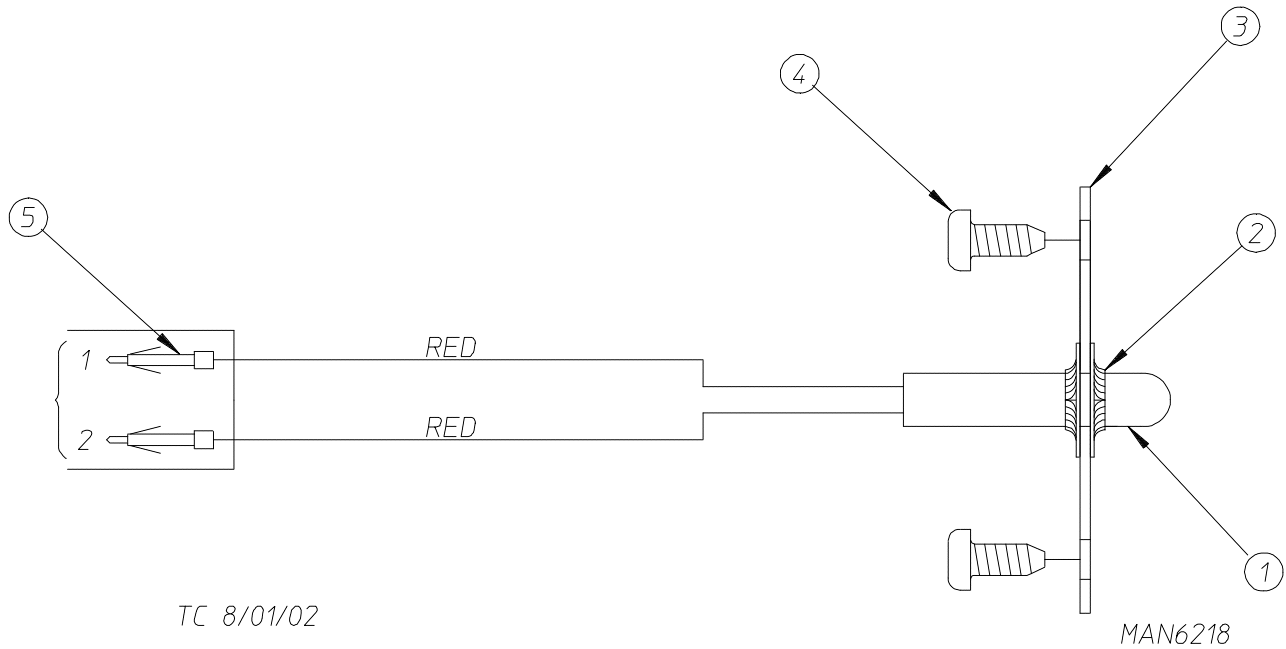
<u>Illus. No.</u>	<u>Part No.</u>	<u>Qty.</u>	<u>Description</u>
1	165011	1	Steam Coil Assembly
2	153002	6	5/16" Lock Washer
3	152004	6	5/16-18 Hex Nut
4	152002	4	1/4-20 Hex Nut
5	153007	4	1/4" Lock Washer
6	820321	2	Steam Damper Hinge Assembly
7	880280	1	Steam Damper Assembly (includes illus. nos. 7, 10, and 11)
8	153007	4	1/4" Lock Washer
9	152002	4	1/4-20 Hex Nut
10	115995	60	Steam Damper Gasket (sold by the inch)
11	102350	1	Steam Damper Foam (68-1/2" length)
12	151006	1	5/16-24 Stainless Steel Acorn Nut
13	152051	1	5/16-24 Right Hand Jam Nut
14	100495	1	1-1/16" Diameter x 3" Stroke Piston
15	323365	2	Left and Right Piston Support
16	152002	2	1/4-20 Hex Nut
17	153007	2	1/4" Lock Washer
18	143163	1	1/4" x 1/8" Connector
19	143110	1	1/4" Tubing (sold by the foot)
20	143163	1	1/4" x 1/8" Connector
21	100496	1	1/8" Needle Valve
22	143238	1	1/8" Close Nipple
23	100498	1	3-Way Micro Valve - 24 VAC
24	150002	2	#6-32 x 1" Slotted Machine Screw
25	153010	2	#6 Star Washer
26	152000	2	#6-32 Hex Nut
27	330987	1	Micro Valve Support Bracket
28	152002	2	1/4-20 Hex Nut
29	153007	2	1/4" Lock Washer
30	100520	1	1/8" N.P.T. Silencer (muffler)

Fire Suppression System Piping Assembly



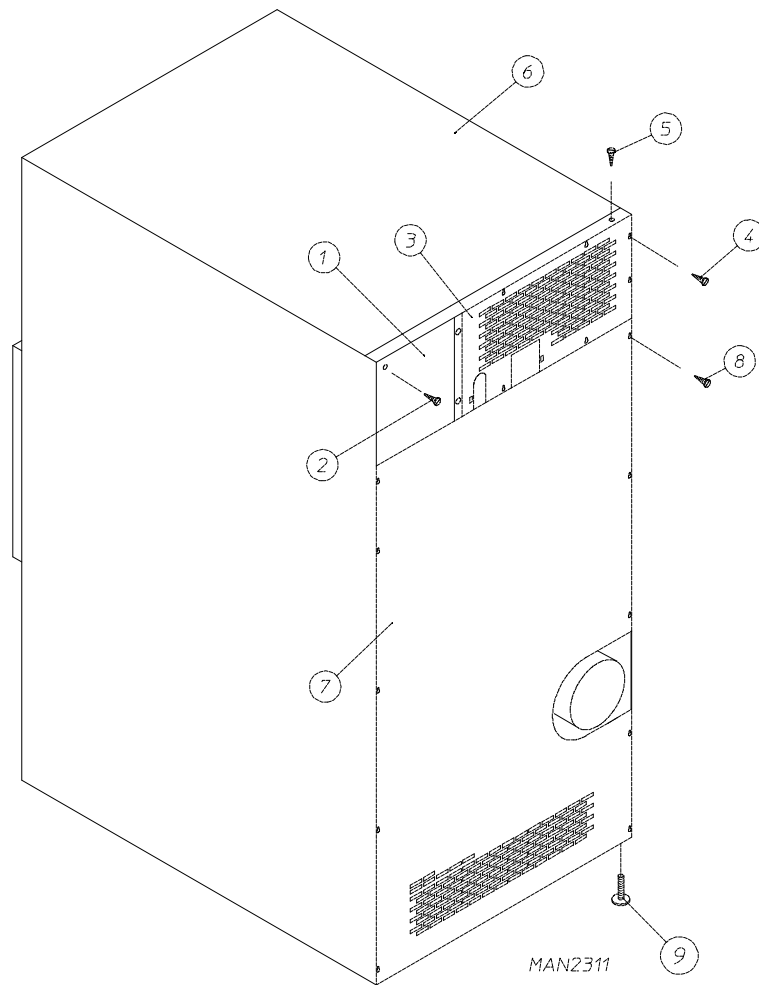
<u>Illus. No.</u>	<u>Part No.</u>	<u>Qty.</u>	<u>Description</u>
1	165114	1	Fire Suppression System Solenoid Valve 24v 50/60 Hz
2	143220	1 or 2	3/8" F.P.T. Brass Tee
3	143251	1	3/8" M.P.T. Brass Plug
4	143208	2	3/8 Comp x 3/8 M.P.T. Brass Connect
5	143099	16	3/8" OD x 0.035 Wall Copper Tubing
6	311588	1	Sprinkler Head Mounting Plate
7	143303	1	3/8" Brass Lock Nut
8	143155	1	3/8" Brass Street Elbow
9	150300	2	#10-16 x 1/2" Hex Washer TEK Screw
10	150301	2	#8-18 x 7/16" Phillips Pan Head TEK Screw
11	143581	1	3 GPM 3/8" F.P.T. Spray Nozzle
12	143025	1	3/8" N.P.T. Nylon Hose Adaptor
13	824081	1	RC Network Assembly
14	143241	1	3/8" Close Brass Nipple (for use with Generation II computers Only)
15	143315	1	3/8" x 1/8" F.P.T. Brass Bushing (for use with Generation II computers Only)
16	136987	1	Water Jet Pressure Switch (for use with Generation II computers Only)

Fire Suppression System Sensor Probe Assembly



<u>Illus. No.</u>	<u>Part No.</u>	<u>Qty.</u>	<u>Description</u>
1	822752	1	Fire Suppression System Temperature Probe Assembly (includes illus. nos. 1 through 5)
2	154007	2	1/4" Push On Fastener
3	390390	1	Sensor Bracket Only
4	150301	2	#8-18 x 7/16" Phillips Pan Head TEK Screw
5	122647	1	2-Pin Amp Cap, Panel Mount
	122690	2	26-22 U-M-L Pin Contact

Outer Top/Back Guard Assemblies



<u>Illus. No.</u>	<u>Part No.</u>	<u>Qty.</u>	<u>Description</u>
1	322809	1	Back Electrical Box Cover
2	150301	4	#8-18 x 7/16" Phillips Pan Head TEK Screw
3*	314424	1	Top Back Guard (for gas models Only)
	314422	1	Top Back Guard (for Phase 5, Phase 6, and Dual Timer electric models Only)
	322155	1	Top Back Guard (for Phase 7 electric models Only)
4	150301	7	#8-18 x 7/16" Phillips Pan Head TEK Screw
5	150300	10	#10-16 x 1/2" Hex Washer TEK Screw
6*	312533	1	Outer Top (for gas models Only)
	801577	1	Outer Top (for Phase 5, Phase 6, and Dual Timer electric models Only)
	322159	1	Outer Top (for Phase 7 electric models Only)
7	322082	1	Bottom Back Guard
8	150301	13	#8-18 x 7/16" Phillips Pan Head TEK Screw
9	103500	4	Leveling Leg

* There is no outer top or top back guard on steam models.

Phase 7 Models		
Volt	Gas/Steam	Electric
120-240	132070 Step Down Transformer	—
208-240	—	132063 Step Down Transformer
380-416	132082 Step Down Transformer	132082 Step Down Transformer

Phase 6 Models		
Volt	Gas/Steam	Electric
120-240	132070 Step Down Transformer	—
208-240	—	132063 Step Down Transformer
380-416	132082 Step Down Transformer	132082 Step Down Transformer

Phase 5 and Dual Timer Models		
Volt	Gas/Steam	Electric
120-240	141403 Step Down Transformer	—
208-240	—	132063 Step Down Transformer
380-416	132082 Step Down Transformer	132082 Step Down Transformer

Phase 7 Non-Coin Models				
	Gas		Electric	
	Non-Reversing	Reversing	Non-Reversing	Reversing
120v (1Ø)	830468	—	—	—
208-240v (1Ø)	830469	—	830131	—
208-240v (3Ø)	830470	830471	830157	822789
380-416v (3Ø)**	—	—	830426	—
380-416v (3Ø)***	830472	830473	830140	808397

Phase 7 Non-Coin Models				
	Steam			
	Air Damper		Mechanical Damper	
	Non-Reversing	Reversing	Non-Reversing	Reversing
120v (1Ø)	830477	—	830505	—
208-240v (1Ø)	830478	—	830479	—
208-240v (3Ø)	830480	830482	830481	N/A*
380-416v (3Ø)	830483	830484	N/A*	830485

Phase 7 Coin Models				
	Gas			
	Non-Reversing	Non-Reversing with S.A.F.E.	Reversing	Reversing with S.A.F.E.
120v (1Ø)	830488	N/A*	—	—
208-240v (1Ø)	830489	N/A*	—	—
208-240v (3Ø)	N/A*	N/A*	830491	830490
380-416v (3Ø)	N/A*	N/A*	830493	830492

* Not available at the time of printing, contact factory for further information.

** For models with single-phase (1Ø) motors.

*** For models with 3-phase (3Ø) motors.

Rear Electric Panel Assembly Listing

Phase 6 Models				
	Gas/Steam		Electric	
	Non-Reversing	Reversing	Non-Reversing	Reversing
120v (1Ø)	818073	—	—	—
208-240v (1Ø)	818065	—	822045	—
208-240v (3Ø)	818074	818067	822806	N/A*
380-416v (3Ø)**	—	—	822413	—
380-416v (3Ø)***	818069	819068	N/A*	815883

Phase 5 and Dual Timer Models				
	Gas/Steam		Electric	
	Non-Reversing	Reversing	Non-Reversing	Reversing
120v (1Ø)	882662	—	—	—
208-240v (1Ø)	882663	—	818395	—
208-240v (3Ø)	882664	882673	818400	883335
380-416v (1Ø)**	—	—	882667	—
380-416v (3Ø)***	882665	882676	N/A*	882676

* Not available at the time of printing, contact factory for further information.

** For models with single-phase (1Ø) motors.

*** For models with 3-phase (3Ø) motors.

Electrical Oven Component Application Chart

Phase 7 Models

kW	VOLTAGE	PHASE	WIRE	OVEN ASSEMBLY*	ELEMENT			OVEN WIRE WITH CRIMP TERMINAL			TERMINAL LUG		BUS BAR P/N: 121011	OVEN RELAY	
					Qty.	kW	P/N	Qty.	Size	Part No.	Qty.	P/N		Cat. No.	P/N
30	416	3ø	3 or 4	833136	6	5	120013	1	#8	830401	1	121010	1	DPA43	131357
30	240	3ø	3 or 4	833124	6	5	120013	1	#4	830405	1	121010	1	400-NX20	131363
27	400	3ø	3 or 4	833136	6	5	120013	1	#8	830401	1	121010	1	DPA43	131357
25	380	3ø	3 or 4	833136	6	5	120013	1	#8	830401	1	121010	1	DPA43	131357

Phase 5, Phase 6, and Dual Timer Models

kW	VOLTAGE	PHASE	WIRE	OVEN ASSEMBLY*	ELEMENT			OVEN WIRE WITH CRIMP TERMINAL			TERMINAL LUG		BUS BAR P/N: 121011	OVEN RELAY	
					Qty.	kW	P/N	Qty.	Size	Part No.	Qty.	P/N		Cat. No.	P/N
30	380	3ø	3 or 4	815881	6	6	120014	1	#6	830403	1	121010	1	DPA53	131359
30	240	3ø	3 or 4	816129	6	5	120013	1	#4	830405	1	121010	1	400-NX20	131363
28	400	3ø	3 or 4	826125	6	5	120013	1	#8	882571	1	121010	1	DPA43	131357
24	208	3ø	3 or 4	816138	6	4	120010	1	#4	830405	1	121010	1	400-NX20	131363

* Consult factory for oven assemblies not listed.

Additional Parts Available

<u>Part No.</u>	<u>Description</u>
112284	“Phase 6 Non-Coin Program Location Summary” Label
112533	“Phase 5 Coin Program Location Summary” Label
114001	“CAUTION Exhaust/Lint Screen” Label
114006	“WARNING - Fire Hazards” Label
114043	“Phase 7.2.2 Programming” Label
114113	“Phase 7 Cycle Adjustment Value” Label
114506	“Fuse Rating” Label
114548	“Phase 7 Coin Program Location” Label
120800	1/4” In-Line Connector
120802	Red Butt Connector
120902	#74B Wire Nut
120903	Crimp-On Wire Nut
121499	5-1/2” Harness Tie
121500	8” Harness Tie
122804	Manometer (hydro gauge) for Measuring Gas Pressure
404502	White Brush-In-Cap Bottle Touch-Up Paint (0.6 oz. bottle)

