

WASHER

Repair Parts List

MODEL NUMBER
MAH14PDBGW

When requesting service or ordering parts, always provide the following information:

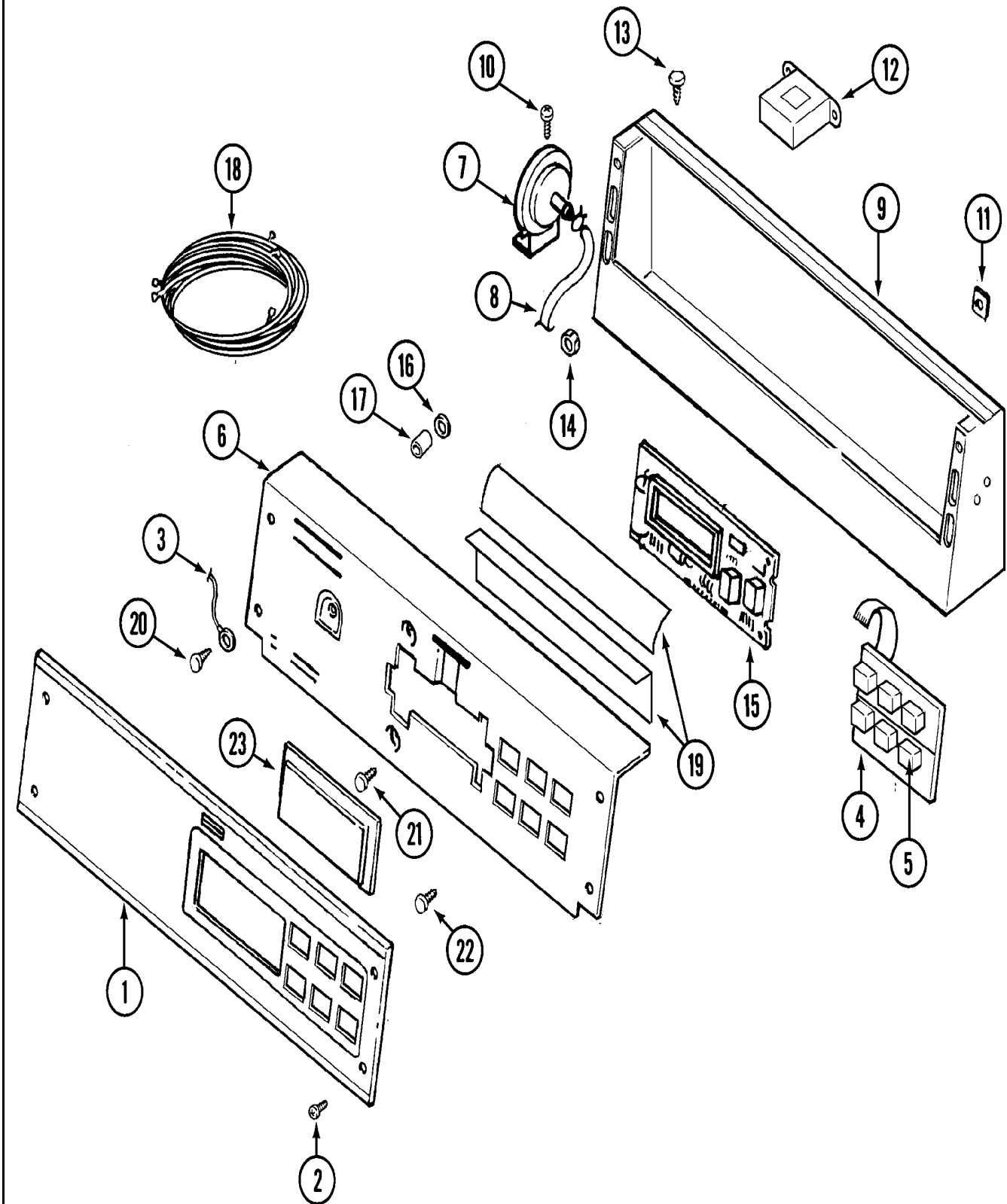
- Product Type
- Part Number
- Model Number
- Part Description

MAYTAG®

©2005 Maytag Services

Section: CONTROL PANEL

Model: MAH14PDBGW



CW11-35

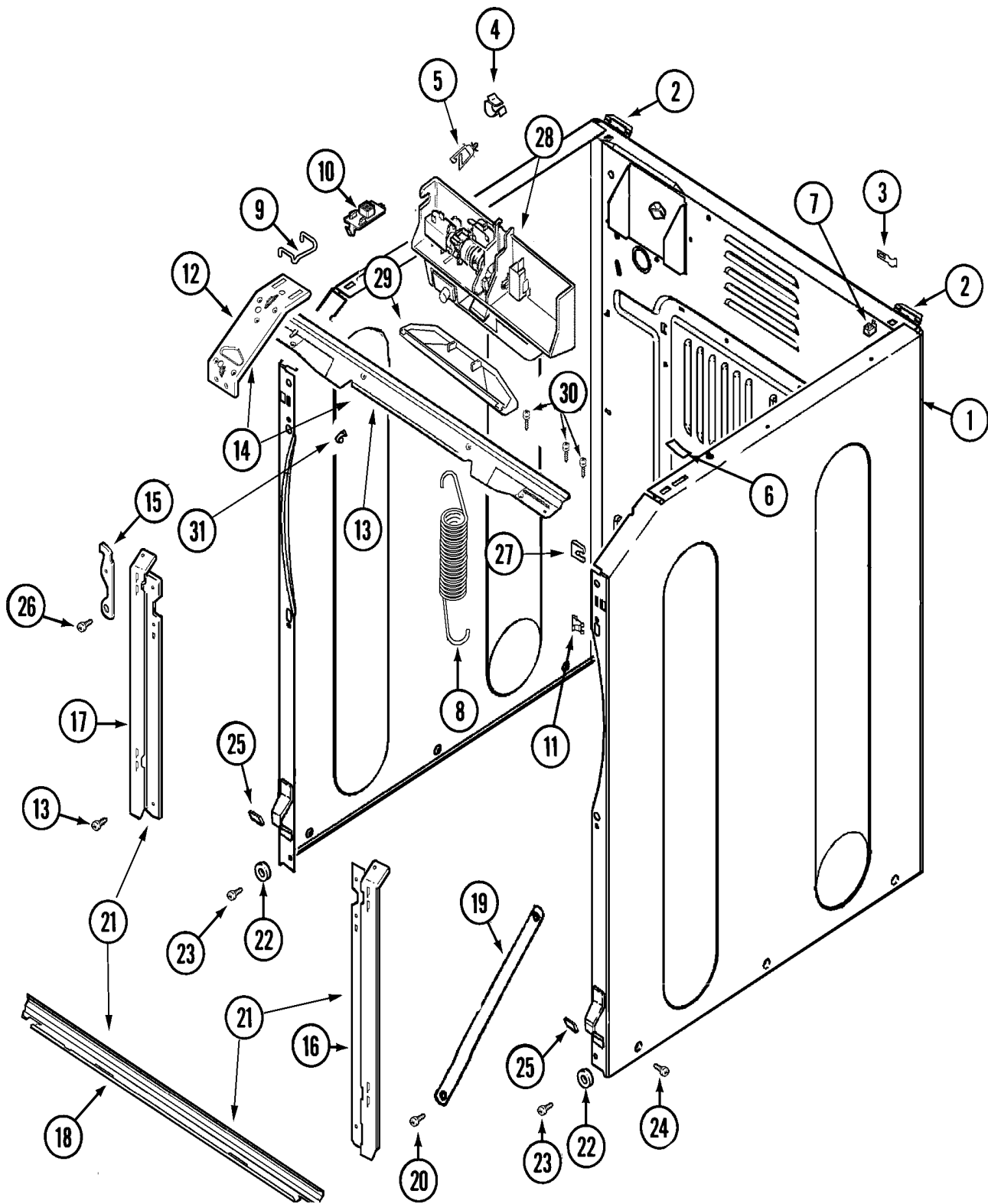
Section: CONTROL PANEL

No.	Part No.	Description	Series	Qty
1	22003655	PANEL, CONTROL ASSY. (WHT)	10	1
2	215506	SCREW, TORX Note: SCREW, CONTROL PANEL	10	4
3	205810	WIRE, GROUND	10	1
-	215527	SCREW Note: SCREW, CONTROL SWITCH	10	2
4	206808	CONTROL SWITCH ASSY. Note: CONTROL SWITCH ASSEMBLY	10	1
5	215517	PUSHBUTTON Note: PUSHBUTTON, CONTROL SWITCH	10	3
6	22003094	SWITCH & BACK BRKT ASY. (WHT)	10	1
7	22002994	SWITCH, PRESSURE	10	1
8	22002010	HOSE, AIR DOME Note: HOSE, PRESSURE SWITCH	10	1
9	33002256	SEAL, CABINET (EXPORT)	10	1
9	22003089	CONSOLE (WHT)	10	1
10	22001996	SCREW Note: SCREW, CONSOLE	10	5
11	215003	FASTENER Note: FASTENER, SCREW	10	2
-	22003048	BRACKET, LINE FILTER	10	1
-	912365	SCREW	10	1
-	22003047	FILTER, POWER LINE	10	1
12	22002139	TRANSFORMER (STEP-DOWN COMM)	10	1
13	211251	SCREW Note: SCREW, TRANSFORMER	10	2
14	22001419	NUT (ELASTIC) Note: NUT, TRANSFORMER	10	2
15	22003560	BOARD, CONTROL	10	1
-	22002942	BOARD, RELAY (DRS)	10	1
16	912077	LOCKNUT Note: LOCKNUT, CONTROL BOARD	10	4
17	22002943	STAND-OFF	10	4
18	22003654	HARNESS, WIRE	10	1
19	22001511	DEFLECTOR, WATER (W/ADHESIVE)	10	2
20	211252	SCREW Note: SCREW, GROUND WIRE	10	1
21	215526	SCREW Note: SCREW, CIRCUIT BOARD	10	2
22	215527	SCREW Note: SCREW, BACK BRACKET	10	2
23	22001962	COVER, DISPLAY	10	1

*Color Code (-)=Not Shown #=Series, Serial Prefix or Run No., N=Not Available

Section: CABINET-FRONT

Model: MAH14PDBGW



LW12-33

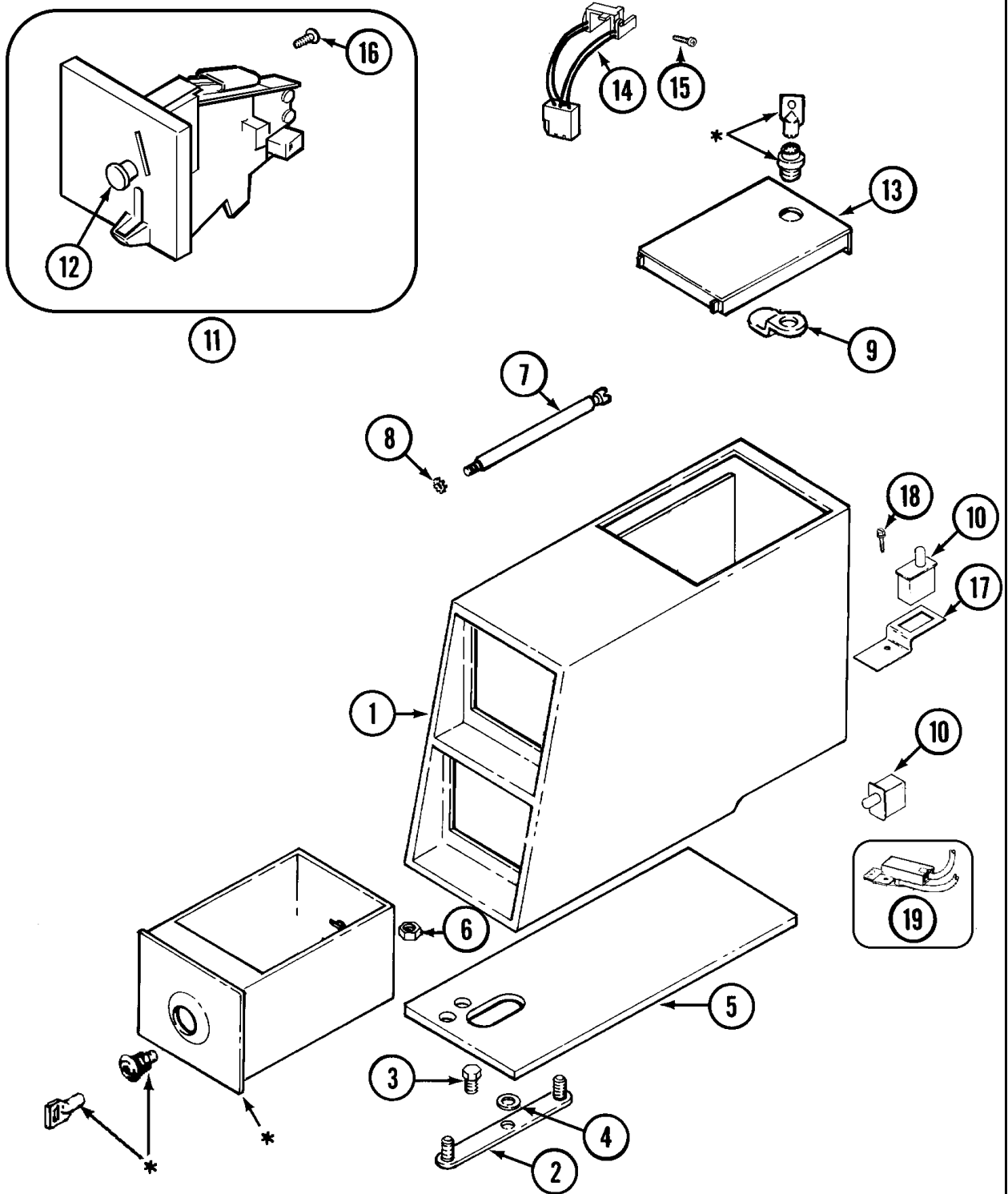
Section: CABINET-FRONT

No.	Part No.	Description	Series	Qty
1	N 22003582	CABINET, ASSY. (WHT-AS PK)	67	1
1	22002548	CABINET ASSY. (WHT)	10	1
1	22003639	CABINET ASSY. (WHT AS PK)	72	1
2	22003367	HINGE, PLASTIC	67	2
-	22001995	SCREW Note: SCREW, HINGE	67	2
-	22002925	SCREW Note: SCREW, BRACKET	10	2
3	22002178	BRACKET, WATER SWITCH Note: BRACKET, AIR DOME HOSE	10	2
4	22002014	CLIP Note: CLIP, WIRE HARNESS	10	2
5	22003298	RETAINER, WIRE	10	2
6	33001836	STRAP, TOP COVER SUPPORT	10	1
7	310933	FASTENER Note: FASTENER	10	2
8	22002100	SPRING Note: SPRING	10	1
9	22002297	SUPPORT, SPRING	10	2
10	22001997	SPACER, TOP COVER	10	2
11	22002239	CLIP, LOWER FRONT PANEL	10	2
12	22003623	BRACE, CORNER (LT)	69	1
12	22002090	BRACE, CORNER	10	1
-	22003622	BRACE, CORNER (RT)	69	1
12	22002292	BRACE, CORNER (LT)	10	1
13	22002015	SUPPORT, DOOR LOCK	10	1
13	22003626	SUPPORT, DOOR LOCK	69	1
14	22003637	BRACE ASSEMBLY, TOP CROSS Note: CONTAINS ITEMS 12 & 13	10	1
15	22002247	HOOK, SECURITY	10	2
16	22003625	BRACKET, SHROUD SUPPORT (RT)	69	1
16	22003224	BRACKET, SHROUD (RT)	10	1
17	22002985	BRACKET, SHROUD (LT)	10	1
17	22003624	BRACKET, SHROUD SUPPORT (LT)	69	1
18	22002505	BRIDGE, SHROUD SUPPORT	10	1
18	22003664	SUPPORT, LOWER SHROUD	69	1
19	22002767	BRACE, CROSS	10	2
20	22001995	SCREW Note: SCREW, CROSS BRACE	10	2
21	22003638	SHROUD SUPPORT ASSEMBLY Note: CONTAINS ITEMS 16, 17, & 18	69	1
22	22002025	DISC, FRONT PANEL SPACER	10	2
23	22001995	SCREW Note: SCREW, FRONT CABINET	10	2
24	213007	SCREW, CABINET	10	6
24	22003409	SCREW----NA Note: SCREW, CABINET	67	6
24	213007	SCREW, CABINET	72	6
25	22002239	CLIP, LOWER FRONT PANEL	10	2
26	22001995	SCREW Note: SCREW, SHROUD SUPPORT	10	8
27	22002049	CLIP Note: CLIP, PANEL	10	2
28	N 22003464	LATCH, ASSY. (COMMERCIAL)	10	1
-	22002119	MOTOR, WAX	10	1
29	22002957	COVER, LATCH ASSEMBLY (LWR)	10	1
30	22001995	SCREW Note: SCREW, DOOR LATCH SUPPORT	10	6
31	22002014	CLIP	10	1

*Color Code (-)=Not Shown #=Series, Serial Prefix or Run No., N=Not Available

Section: CONTROL CENTER (PD)

Model: MAH14PDBGW



* CONTACT YOUR COMMERCIAL LAUNDRY DISTRIBUTOR

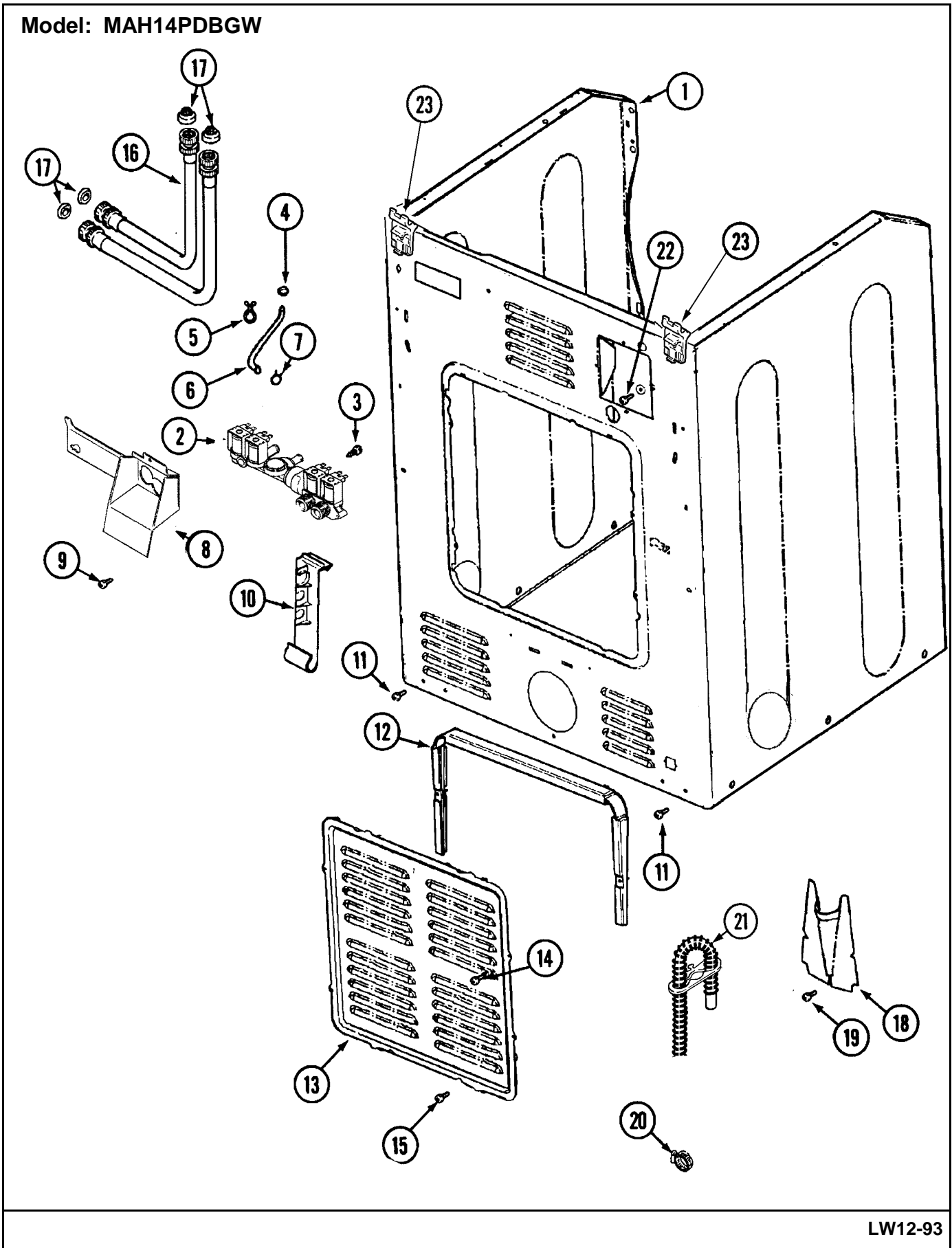
Section: CONTROL CENTER (PD)

No.	Part No.	Description	Series	Qty
1	22002480	VAULT, COIN (WHT)PD Note: VAULT, COIN (WHT)	10	1
2	22001810	STRAP, MOUNTING	10	1
3	22001996	SCREW Note: SCREW, MOUNTING STRAP	10	1
4	910309	WASHER Note: WASHER, MOUNTING STRAP	10	1
5	22002072	GASKET, CONTROL CENTER (WHT)	10	1
6	Y052740	NUT Note: NUT, CASE MOUNTING	10	2
7	213035	BOLT, LOCKING	10	2
8	910181	LOCK WASHER Note: LOCKWASHER, LOCKING BOLT	10	2
9	N 22001905	CAM, LOCKING	10	1
-	912012	SCREW Note: SCREW, SENSOR SWITCH	10	2
10	22002536	SWITCH, SENSOR	10	2
11	22001873	DROP ASSY., COIN	10	1
-	22002144	SINGLE FACEPLATE	10	1
12	216200	BUTTON, RETURN Note: BUTTON, RETURN	10	1
13	22001910	DOOR, ACCESS (WHT)	10	1
14	22001965	SWITCH ASSY., OPTIC	10	1
15	314665	SCREW Note: SCREW, OPTIC SWITCH	10	1
16	216068	SCREW Note: SCREW, COIN DROP	10	3
17	22001404	BRACKET, SWITCH	10	1
18	22001069	SCREW----NA Note: SCREW, SWITCH BRACKET	10	1
19	22001966	HARNESS, SENSOR SWITCH	10	1

*Color Code (-)=Not Shown #=Series, Serial Prefix or Run No., N=Not Available

Section: CABINET-REAR

Model: MAH14PDBGW



LW12-93

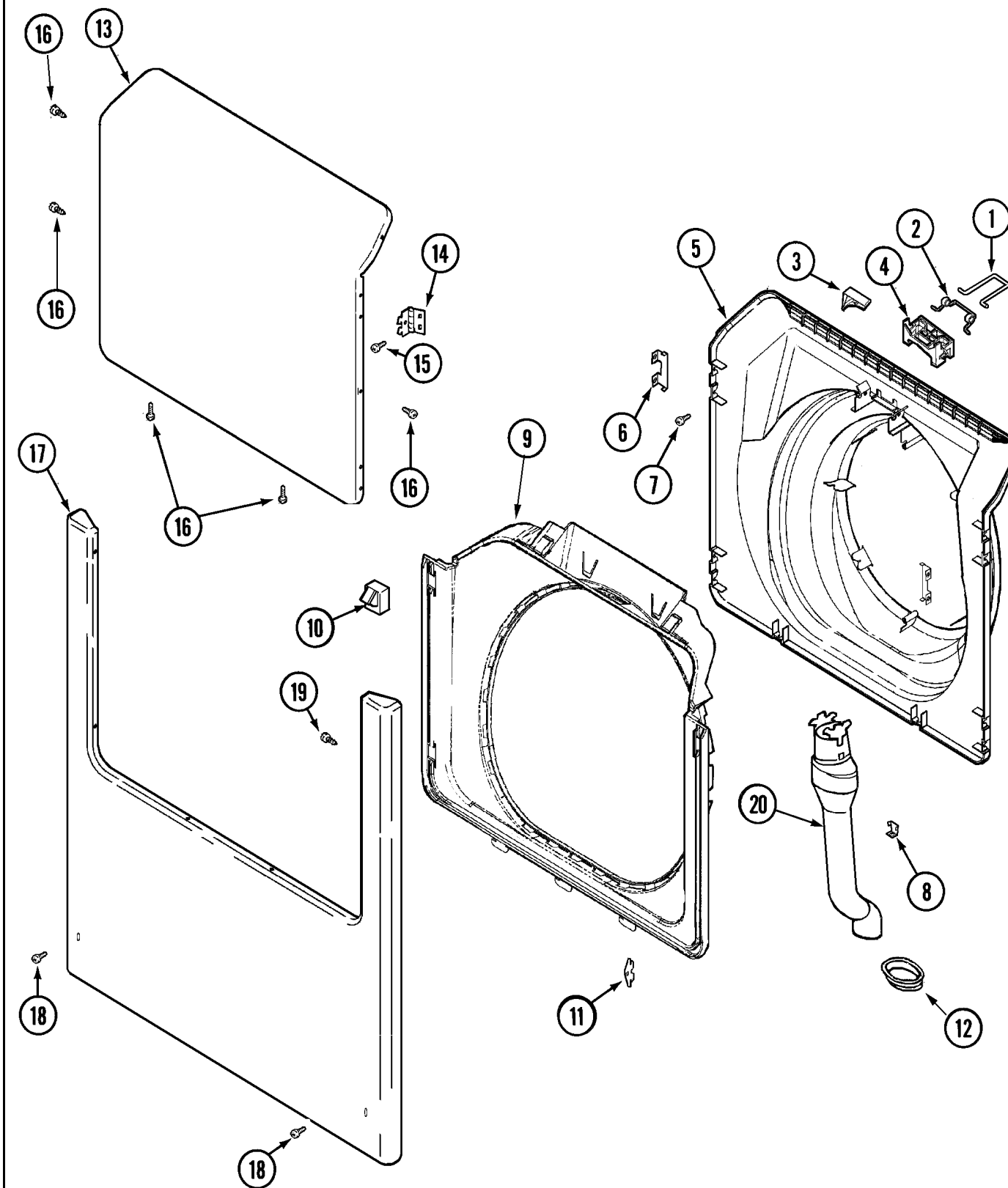
Section: CABINET-REAR

No.	Part No.	Description	Series	Qty
1	N 22003582	CABINET, ASSY. (WHT-AS PK)	67	1
1	22003639	CABINET ASSY. (WHT AS PK)	72	1
-	22002013	STOP, SHIPPING	10	2
1	22002548	CABINET ASSY. (WHT)	10	1
2	22002903	VALVE, WATER	10	1
3	N 313561	SCREW----NA Note: SCREW, WATER VALVE	10	2
4	22003627	CLAMP, STEPLESS	10	1
5	22002027	WIRE TIE, TWIST LOCK	10	2
6	22002083	HOSE, INJECTOR	10	1
7	216169	CLAMP,HOSE-INJEC.HOSE TO VALVE Note: CLAMP, INJECTOR HOSE	10	1
8	33002212	BRACKET, WATER VALVE	10	1
9	22002436	SCREW Note: SCREW, WATER VALVE BRACKET	10	1
10	33002213	RACK, HOSE	10	1
11	22001995	SCREW Note: SCREW, CABINET	10	2
12	22002022	SPACER, ACCESS PANEL	10	1
-	22002349	LOCK, ACCESS DOOR	10	1
13	22002092	PANEL, ACCESS	10	1
14	22002295	SCREW Note: SCREW, ACCESS PANEL SPACER	10	2
15	22001996	SCREW Note: SCREW, ACCESS PANEL	10	2
16	35-3401	HOSE, INLET (HOT)	10	1
16	35-3400	HOSE, INLET (COLD)	10	1
17	12001413	STRAINER & WASHER KIT	10	1
18	22002704	COVER, DRAIN HOSE	10	1
19	22001995	SCREW Note: SCREW, DRAIN HOSE COVER	10	1
20	22001984	CLAMP, DRAIN HOSE	10	2
-	22003319	HOSE, DRAIN (CORR)(80 1/2")	10	1
21	12001659	DRAIN HOSE REPLACEMENT(NEPTUN) Note: DRAIN HOSE KIT (CORRUGATED) (INCLUDES THE FOLLOWING PARTS)	10	1
-	22002893	TIE, CABLE	10	1
-	22002932	CLIP, DRAIN HOSE	10	1
-	22002892	RETAINER, DRAIN HOSE	10	1
22	N 33001245	SCREW----NA Note: SCREW, GROUND LUG	10	1
-	22001995	SCREW	10	2
23	22003367	HINGE, PLASTIC	10	2

*Color Code (-)=Not Shown #=Series, Serial Prefix or Run No., N=Not Available

Section: DOOR & FRONT PANEL

Model: MAH14PDBGW



LW18-14

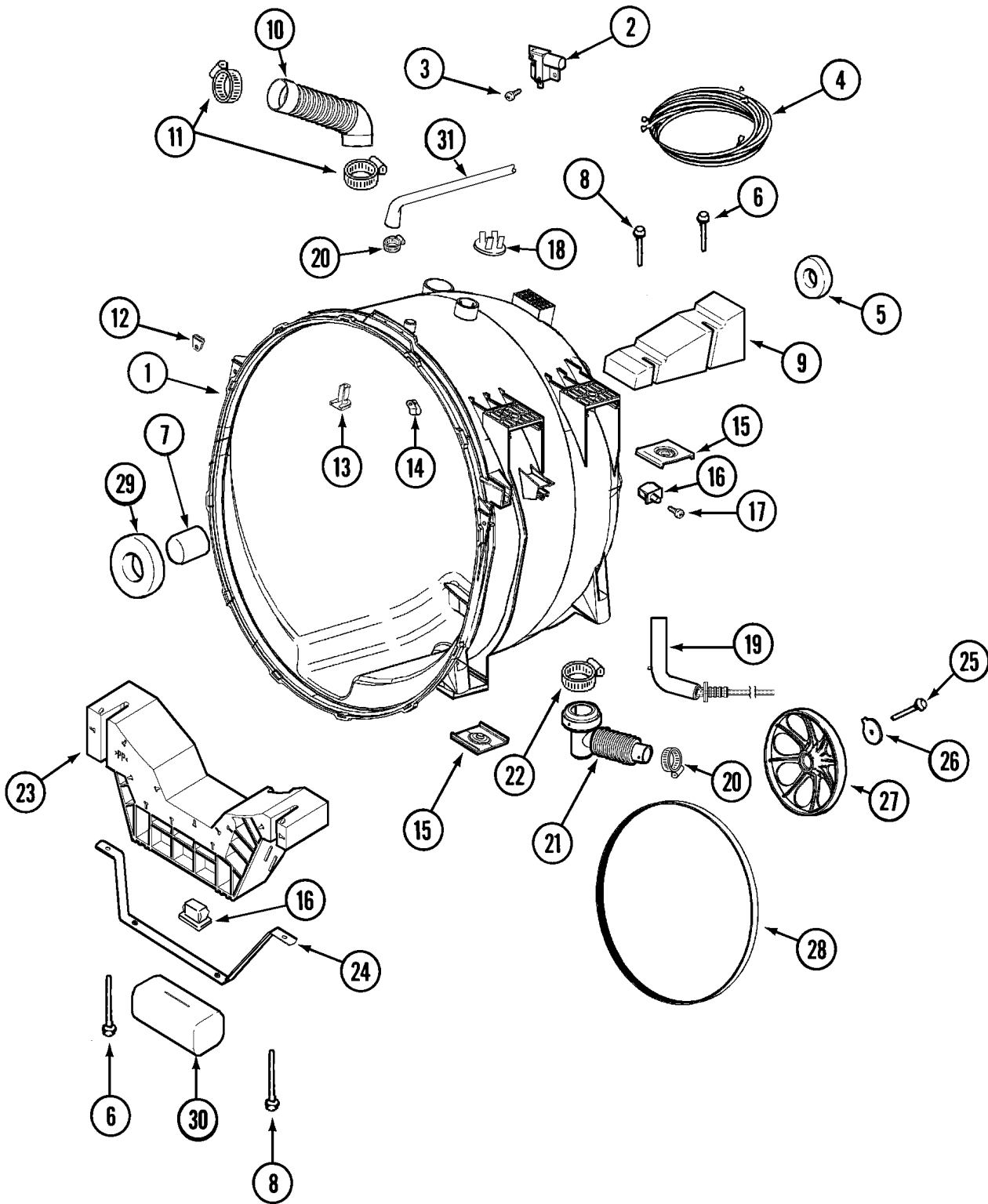
Section: DOOR & FRONT PANEL

No.	Part No.	Description	Series	Qty
1	22003222	HOOP, LOCK	10	1
2	22002003	SPRING, LATCH	10	1
3	22002355	DOOR, INNER (WHT) Note: DOOR, INNER/DOOR STRIKE (WHT) (MUST ORDER ASSEMBLY TO OBTAIN STRIKE)	10	1
-	22003800	INNER DOOR/VENTED (ASPK-WHT)	76	1
4	22002168	SUPPORT, LOCK HOOP	10	1
5	22003083	LINER, DOOR ASSY W/VENT (WHT)	10	1
6	22002038	CLIP, DOOR (DOUBLE)	10	4
7	22002007	SCREW Note: SCREW, STRIKE	10	1
8	22002039	CLIP, DOOR (SINGLE)	10	2
9	22002234	SHROUD, PLASTIC (WHT)	10	1
-	22002333	LABEL, OPEN DOOR (WASHER)	10	1
10	22002046	SWITCH, SECONDARY DOOR (WHT)	10	1
-	33001764	COVER, HINGE HOLE (WHT)	75	2
-	33001846	SCREW	75	2
11	22002095	COVER, HINGE (WHT)	10	2
12	22003075	GROMMET, VENT TUBE	10	1
-	22002333	LABEL, OPEN DOOR (WASHER)	10	1
13	22001979	DOOR, OUTER (WHT-W/DAMPER)	10	1
-	22002001	SUPPORT, HINGE	10	4
-	W10124350	NOT REQUIRED PART OR SEE NOTE Note: NOT REQUIRED (HINGE SUPPORT)	69	0
14	22002798	HINGE, DOOR	10	2
-	22002244	CLIP, GROUNDING	10	1
15	22002243	SCREW Note: SCREW, FRONT PANEL & HINGE	10	4
15	22002062	SCREW Note: SCREW, HINGE	10	4
16	22002063	SCREW #8-18AB WAFER HD	10	6
17	22002241	PANEL, FRONT (WHT)	10	1
18	22001496	SCREW, TORX Note: SCREW, FRONT PANEL	10	2
19	22002243	SCREW Note: SCREW, PANEL	10	4
-	22002244	CLIP, GROUNDING	10	1
20	22003576	VENT TUBE ASSY.	10	1

*Color Code (-)=Not Shown #=Series, Serial Prefix or Run No., N=Not Available

Section: OUTER TUB

Model: MAH14PDBGW



CW17-51

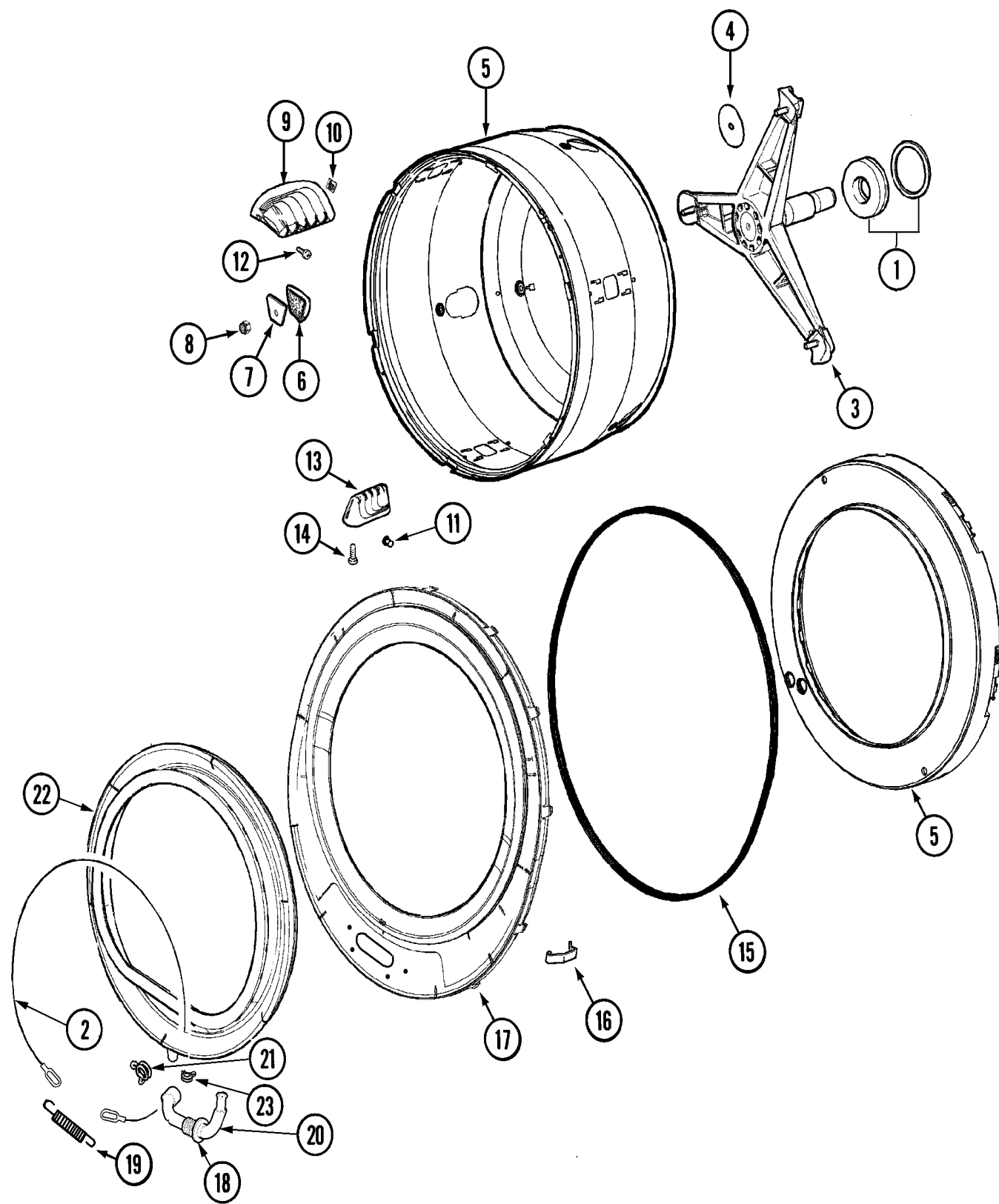
Section: OUTER TUB

No.	Part No.	Description	Series	Qty
1	22002154	TUB ASSY. (OUTER)	10	1
2	22002045	SWITCH, INERTIAL - UNBALANCE	10	1
3	912615	SCREW, #8X1/2 HEX WASHER HEAD Note: SCREW, INERTIAL SWITCH	10	2
4	22002545	WIRE HARNESS, DISPLACEMENT	10	1
5	22003441	BEARING, REAR	10	1
6	22001991	BOLT	10	1
7	22002935	SPACER, BEARING	10	1
8	22002056	BOLT	10	1
9	22002102	WEIGHT, COUNTER BALANCE	10	1
10	22002083	HOSE, INJECTOR	10	1
11	22002052	CLAMP, INJECTOR HOSE	10	2
12	22002103	CLIP, U Note: CLIP, U	10	2
13	22002959	DEFLECTOR, WATER	10	1
14	22002006	CLIP Note: CLIP, WIRE HARNESS & OUTER TUB	10	1
-	22002061	SCREW	10	1
15	22002065	NUT, COUNTER BALANCE	10	4
-	22003065	COVER, UNBALANCE SWITCH	10	1
-	33002215	BRACKET, UNBALANCE SWITCH	10	1
16	22002044	SWITCH, TUB DISPLACEMENT	10	2
17	22002061	SCREW Note: SCREW, DISPLACEMENT SWITCH	10	2
18	22002797	CLIP, HOSE (SADDLE HORN)	10	1
19	22002010	HOSE, AIR DOME	10	1
20	202515	HOSE CLAMP - 1-1/16 INCH	10	1
21	22002081	HOSE, TUB OUTLET	10	1
22	22002053	CLAMP, SUMP HOSE	10	1
23	22002579	FRONT WEIGHT BRACKET	10	1
24	22002008	STRAP	10	1
25	22002057	SCREW, SPINNER	10	1
26	22002055	WASHER, SPINNER SHAFT	10	1
27	22002315	PULLEY, SPINNER	10	1
28	22002313	BELT, DRIVE	10	1
29	22002934	BEARING, FRONT	10	1
30	22002011	CUSHION	10	1

*Color Code (-)=Not Shown #=Series, Serial Prefix or Run No., N=Not Available

Section: SPINNER ASSEMBLY & OUTER TUB COVER

Model: MAH14PDBGW



LW13-42

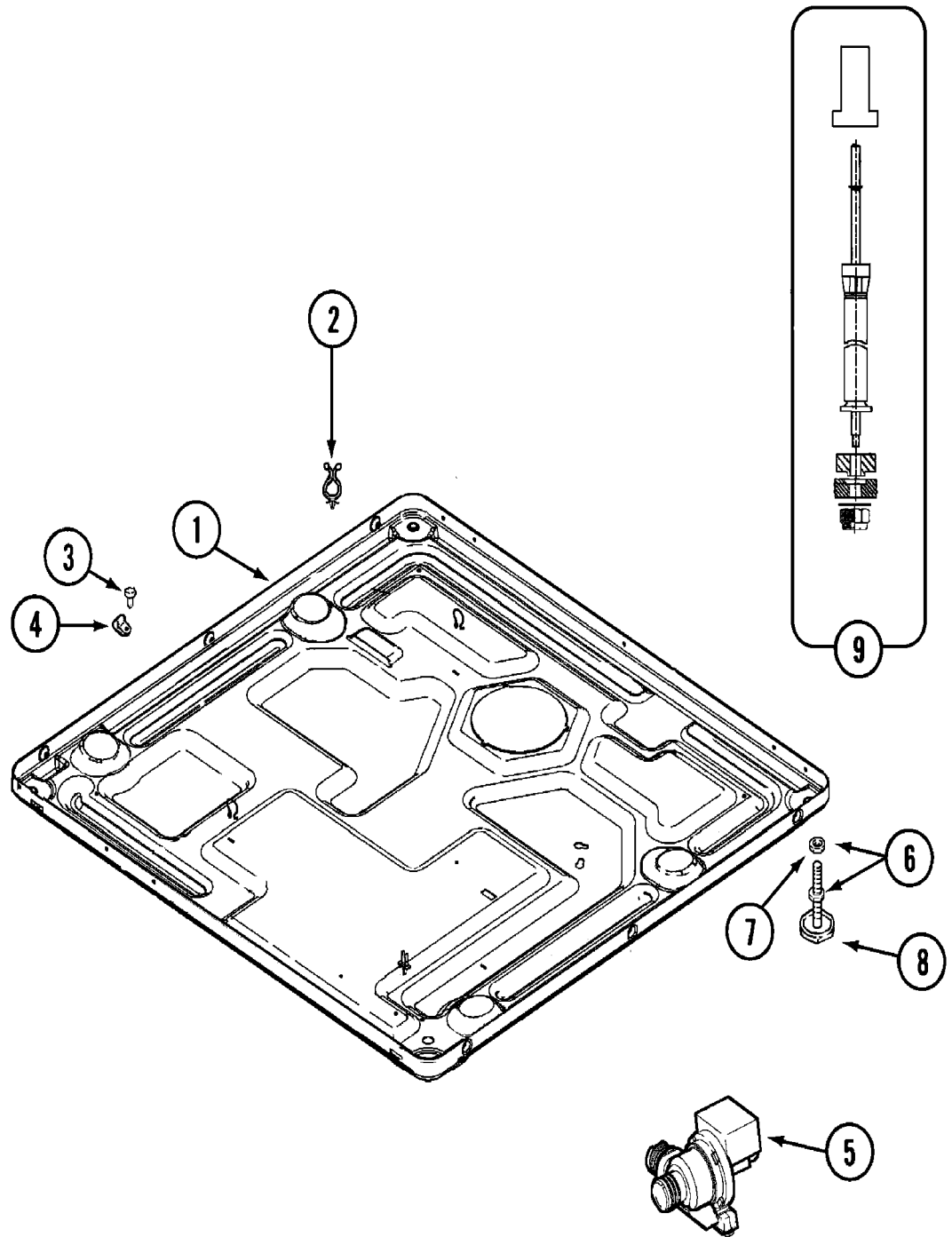
Section: SPINNER ASSEMBLY & OUTER TUB COVER

No.	Part No.	Description	Series	Qty
1	12001478	LIP SEAL SVC ASSY.	10	1
2	22002327	BOOT CABLE CLAMP	10	1
-	22002123	TUBE, MOLYKOTE	10	1
3	22002897	SUPPORT ASSY., SPINNER	10	1
4	22002023	WASHER, PLASTIC	10	3
5	22002115	SPINNER ASSY. (W/BALANCE RING)	10	1
6	22002482	WASHER, PROFILE	10	3
7	22002020	WASHER, SPINNER SUPPORT	10	3
8	22002122	NUT, SPINNER ATTACHMENT	10	3
9	22001985	BAFFLE, DRIP (REAR)	10	3
10	22002009	GROMMET, BAFFLE (REAR)	10	3
11	22001999	GROMMET, BAFFLE (FRT)	10	3
12	22002325	SCREW Note: SCREW, BAFFLE (REAR)	10	6
13	22001986	BAFFLE, DRIP (FRONT)	10	3
14	22002059	SCREW Note: SCREW, BAFFLE (FRONT)	10	6
15	22002077	SEAL, TUB COVER	10	1
16	22002050	CLIP, TUB TO COVER	10	14
-	22003074	GUARD, HOSE	10	1
17	22003212	COVER, TUB (W/SEAL) (ASP)	10	1
18	22003074	GUARD, HOSE	10	1
19	22002099	SPRING, TUB	10	1
20	22003071	DOOR BOOT DRAIN HOSE Note: HOSE, DOOR BOOT DRAIN	10	1
21	22003072	CLAMP, HOSE DOUBLE WIRE	10	1
22	12001772	KIT, DOOR BOOT W/DRAIN	10	1
23	22003073	CLAMP, HOSE DOUBLE WIRE	10	1

*Color Code (-)=Not Shown #=Series, Serial Prefix or Run No., N=Not Available

Section: BASE

Model: MAH14PDBGW



CW19-38

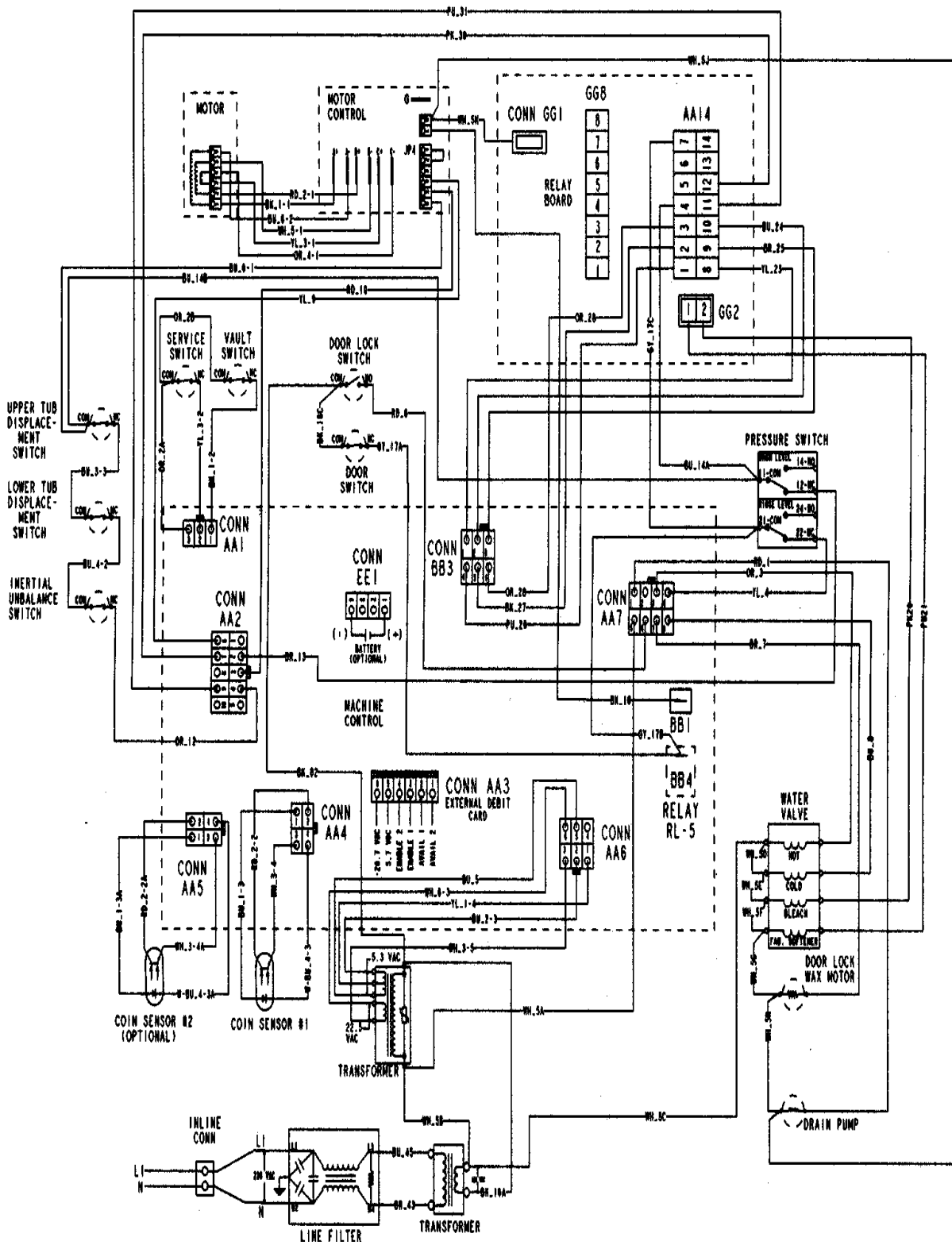
Section: BASE

No.	Part No.	Description	Series	Qty
1	22003580	BASE, ASSEMBLY	67	1
1	22003605	BASE WELD ASSEMBLY	72	1
1	22002240	BASE	10	1
2	315471	RETAINER, WIRE Note: RETAINER, WIRE	10	5
3	212276	SCREW Note: SCREW, WIRE HARNESS CLIP	10	1
4	22002014	CLIP Note: CLIP, WIRE HARNESS	10	1
5	22002809	PUMP (50HZ)	10	1
6	22003544	ADJUSTABLE LEG W/FOOT & NUT	10	4
7	Y052740	NUT Note: NUT, LEG	10	4
8	210684	FOOT, RUBBER	10	4
9	22001988	STRUT ASSY-REAR	10	2
10	22002120	CONTROL ASSY., MOTOR	10	1
10	22003216	MOTOR CONTROL MOUNTING BRACKET	10	1
11	22002471	WIRE HARNESS, MOTOR CONTROL	10	1
12	212276	SCREW Note: SCREW, MOTOR CONTROL BRACKET	10	2
13	210720	RIVET Note: RIVET, WIRE HARNESS CLIP	10	1
14	22002173	CLIP, WIRE HARNESS	10	1
-	22002477	SHIELD, TRANSFORMER	10	1
-	22003778	TRANSFORMER	82	1
15	22002476	TRANSFORMER	10	1
-	33002223	RESTRAINER, TUBE	10	1
16	22003080	CLIP, AIRDOME HOSE	10	1

*Color Code (-)=Not Shown #=Series, Serial Prefix or Run No., N=Not Available

Section: WIRING INFORMATION

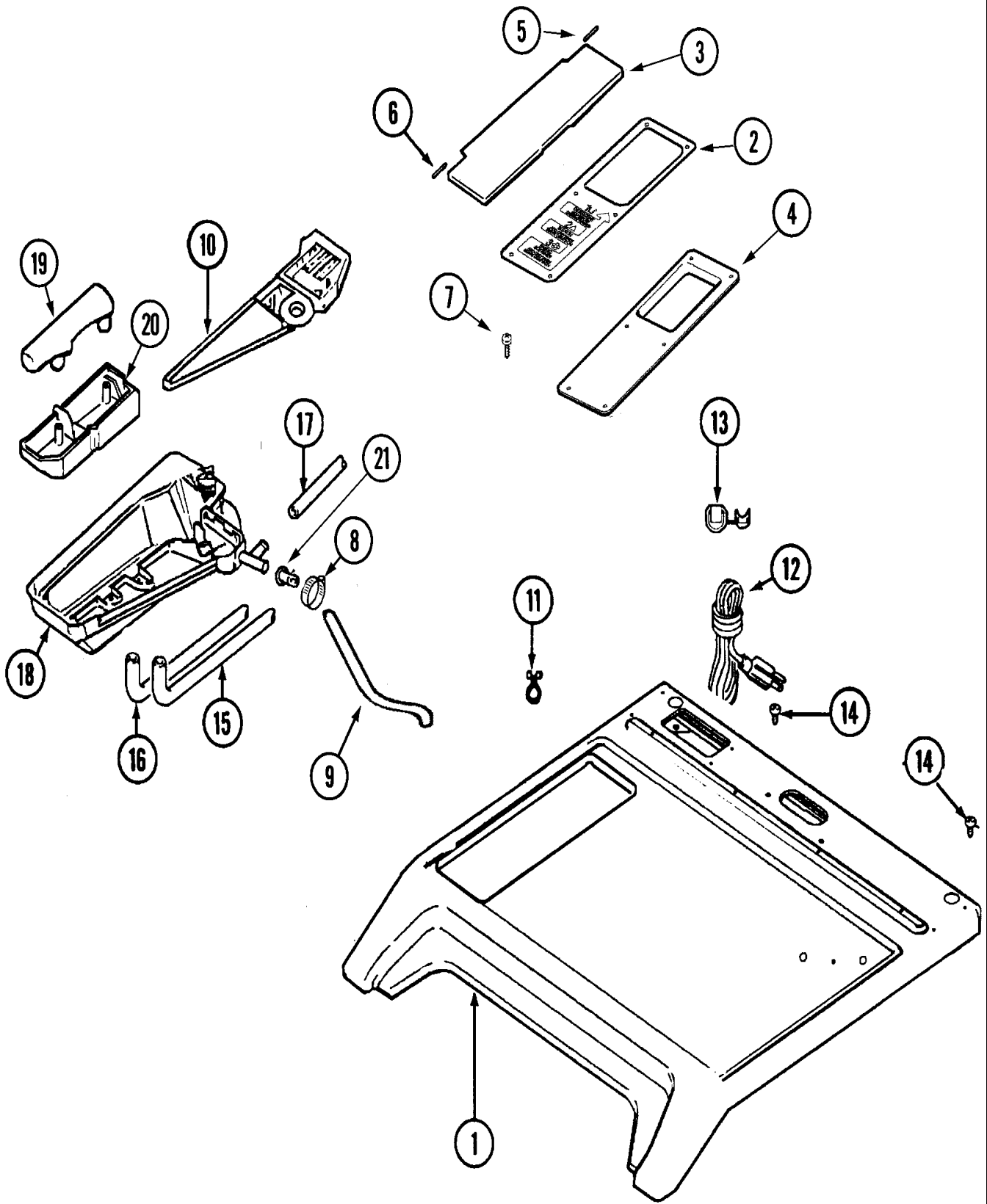
Model: MAH14PDBGW



15002876

Section: TOP

Model: MAH14PDBGW



LW16-48

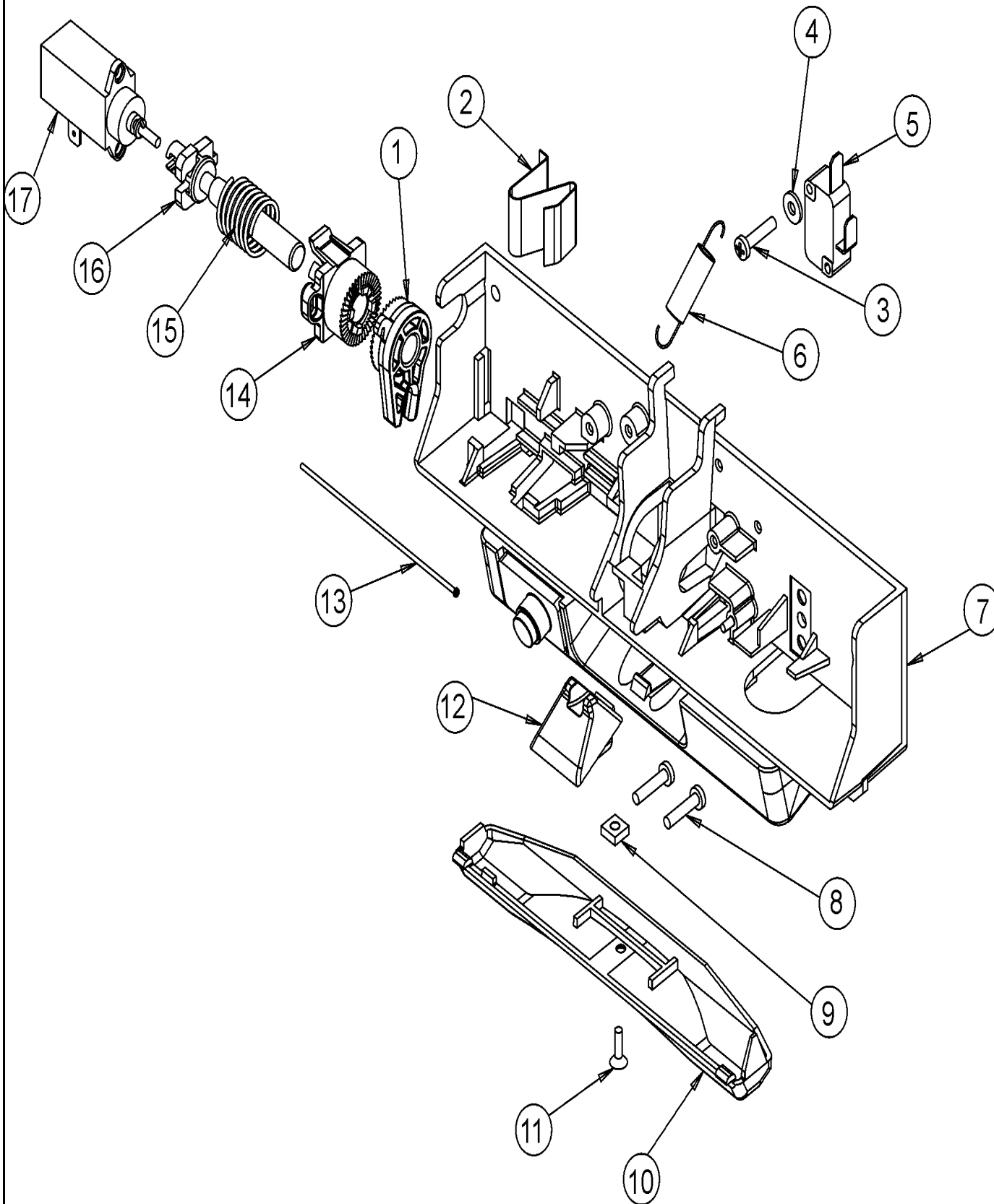
Section: TOP

No.	Part No.	Description	Series	Qty
1	22003586	COVER, TOP (WHT-AS PK)	67	1
-	33001836	STRAP, TOP COVER SUPPORT	10	1
1	22002107	COVER, TOP (WHT)	10	1
2	22002032	COVER, COMM. DISPENSER (WHT)	10	1
2	W10124350	NOT REQUIRED PART OR SEE NOTE	67	0
3	22002941	LID, DISPENSER Note: LID, DISPENSER COMMERCIAL	10	1
4	22002940	BEZEL, DISPENSER	10	1
5	Y912678	PIN, HINGE (LONG) Note: PIN, HINGE (LONG)	10	1
6	Y912679	PIN, HINGE (SHORT) Note: PIN, HINGE (SHORT)	10	1
-	22002031	PALNUT Note: PALNUT, BEZEL	10	4
7	22002060	SCREW, BEZEL	10	4
8	22002054	CLAMP, STEPLESS Note: CLAMP, SHOWER HOSE TO DISP.	10	1
9	22002556	HOSE, SHOWER	10	1
10	22003322	TOP, DISPENSER (FLUME)	10	1
11	22002027	WIRE TIE, TWIST LOCK	10	2
-	212276	SCREW Note: SCREW, WIRE TIE	10	1
-	22003542	ADAPTER (GEN EXPORT) 10 AMP	10	1
12	22003540	CORD, POWER (EXPORT)	10	1
-	210186	SCREW, GROUND WIRE TO BASE--NA Note: SCREW, POWER CORD	10	1
-	22003541	ADAPTER (AUSTRALIA) 10 AMP	10	1
-	22003543	ADAPTER (BRITIAN) 10 AMP	10	1
-	33002501	FILTER, EMI	10	1
13	216183	GROMMET, CORD EXPORT	10	1
14	210186	SCREW, GROUND WIRE TO BASE--NA	10	1
-	22003050	WIRE, GROUND	10	1
-	205161	CLAMP - 15/16" Note: CLAMP 15/16, HOSE TO VALVE	10	2
15	22002551	HOSE, BLEACH	10	1
16 N	22002552	HOSE, FABRIC SOFTENER----NA	10	1
-	205161	CLAMP - 15/16" Note: CLAMP 15/16, HOSE TO VALVE	10	2
-	205161	CLAMP - 15/16" Note: CLAM 15/16, HOSE TO VALVE	10	2
17	22002553	HOSE, DETERGENT	10	1
-	22002230	SCREW, DISPENSER	10	2
18	22002768	DISPENSER BOTTOM Note: DISPENSER BOTTOM, COMMERCIAL	10	1
19	22002266	CAP, SIPHON	10	1
20	22002265	CUP, SIPHON	10	1
-	22003260	EXTENSION, NOZZLE	10	1
21	22001900	PREVENTER, BACK FLOW	10	1
-	22003462	DISPENSER ASSY. Note: DISPENSER ASSY. (COMPLETE)	10	1

*Color Code (-)=Not Shown #=Series, Serial Prefix or Run No., N=Not Available

Section: DOOR LATCH ASSY

Model: MAH14PDBGW



CW10-72

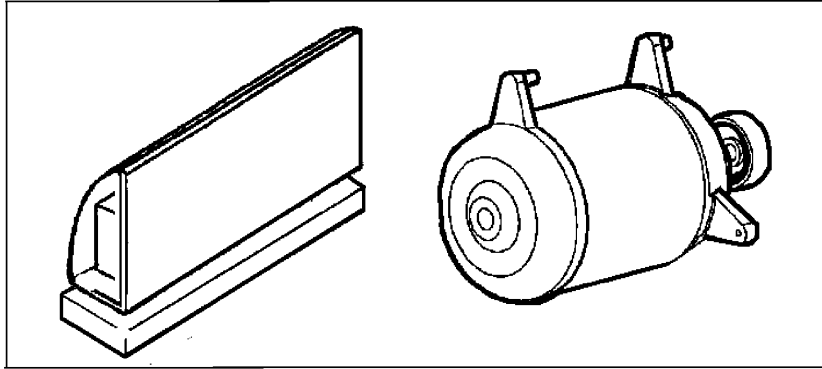
Section: DOOR LATCH ASSY

No.	Part No.	Description	Series	Qty
1	22003716	ROTATING GEAR, LATCH	10	1
2	22003717	SPRING, LATCH	10	1
3	22001352	SCREW, CHECK SWITCH	10	1
4	22002165	WASHER, DOOR LOCK SWITCH	10	1
5	22002162	SWITCH, DOOR LOCK SPIN ENABLE	10	1
6	22002158	SPRING, GEAR RETURN	10	1
7	22003722	SWITCH HOLDER ASSY, LATCH	10	1
8	22003719	SCREW, LATCH	10	2
9	22003720	NUT, LATCH	10	1
10	22002957	COVER, LATCH ASSEMBLY (LWR)	10	1
11	22002435	SCREW	10	1
12	22003055	RAMP, DOOR HOOP	10	1
13	22002164	CABLE, DOOR	10	1
14	22003715	SLIDING GEAR, LATCH	10	1
15	22003721	SPRING, AXLE / LATCH	10	1
16	22003718	AXLE, LATCH	10	1
17	22002119	MOTOR, WAX	10	1

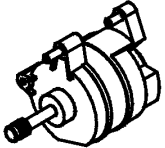

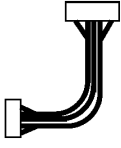
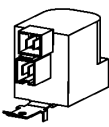




*Color Code (-)=Not Shown #=Series, Serial Prefix or Run No., N=Not Available

Section: MOTOR & MOTOR CONTROL

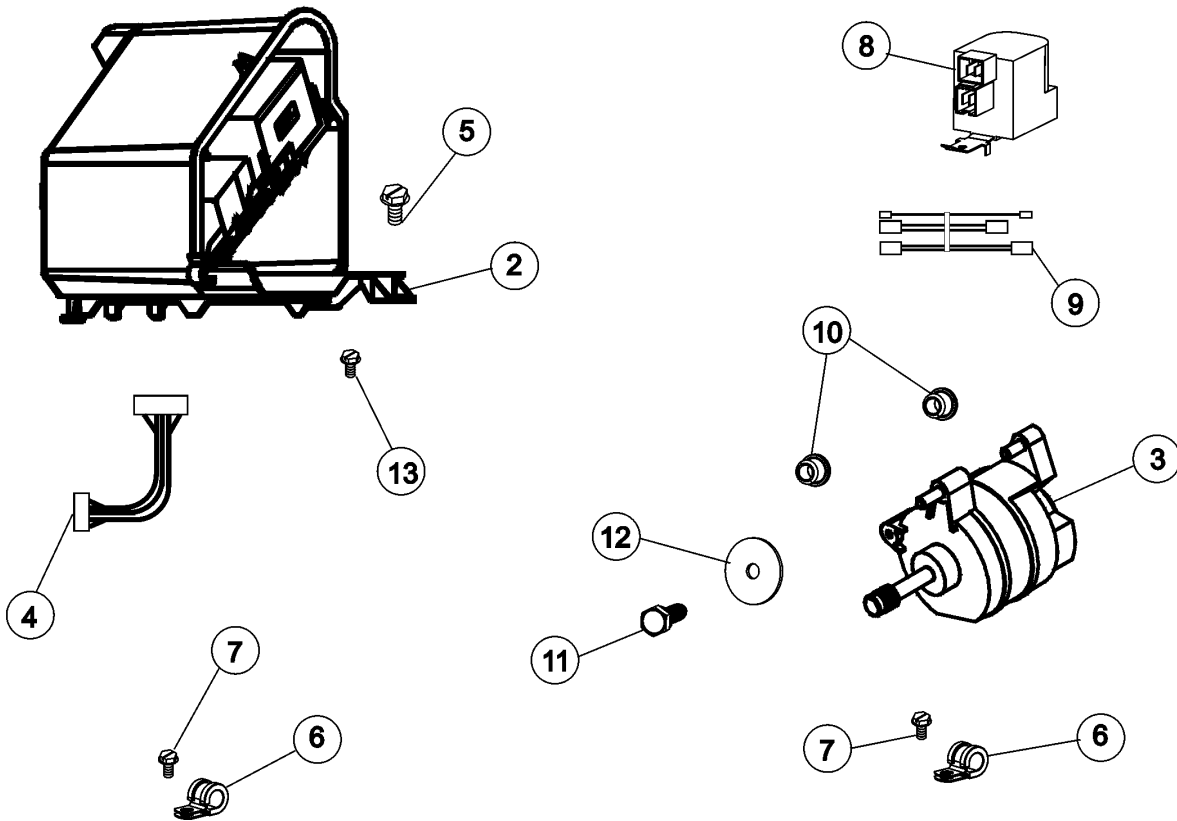
Model: MAH14PDBGW



ITEM 1
KIT CONTAINS:

 <p>120002040 MOTOR W/ISOLATORS</p>	 <p>22004046 MOTOR CONTROL BOARD</p>	 <p>22004047 MOTOR HARNESS</p>	 <p>22003854 AC LINE FILTER</p>	 <p>22004102 "P" CLIPS (2)</p>	 <p>22002300 SCREW "P" CLIPS TO MOTOR</p>	 <p>22004101 LOWER JUMPER WIRE HARNESS</p>	 <p>22004103 SCREW GROUND</p>
--	---	---	--	---	--	---	--

(SEE TEXT FOR ITEMS 2, 3, 4 AND 8)



CW23-04

Section: MOTOR & MOTOR CONTROL

No.	Part No.	Description	Series	Qty
1	12002039	NEPTUNE MOTOR CONVERSION KIT	10	1
2	22004046	CONTROL ASSY., MOTOR	10	1
3	22003856	MOTOR, VARIABLE SPEED	10	1
4	22004047	HARNESS, MOTOR/MOTOR CONTROL	10	1
5	33002190	SCREW (#10-3/8")	10	2
6	22004102	P CLIPS	10	2
7	22002300	SCREW	10	2
8	22003854	EMI SUPPRESSION FILTER, 12A	10	1
9	22004101	REPAIR JUMPER HARNESS	10	1
10	22003329	ISOLATOR, MOTOR	10	2
11	22003686	BOLT, MOTOR	10	1
12	22002320	WASHER, STRUT	10	1
13	22004103	SCREW	10	1

*Color Code (-)=Not Shown #=Series, Serial Prefix or Run No., N=Not Available

