

WASHER

Repair Parts List

MODEL NUMBER
MAH14PNBGW

When requesting service or ordering parts, always provide the following information:

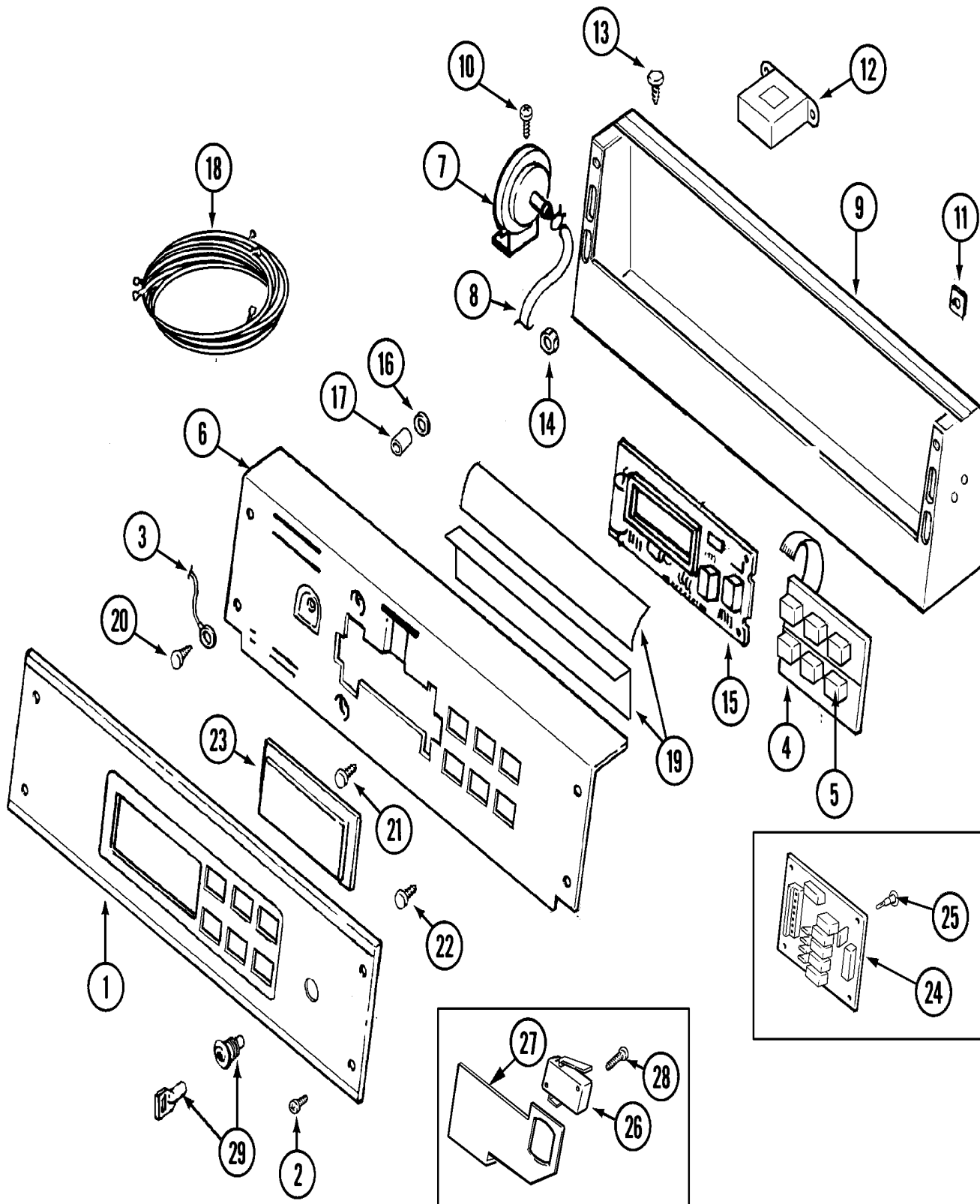
- Product Type
- Part Number
- Model Number
- Part Description

MAYTAG®

©2005 Maytag Services

Section: CONTROL PANEL

Model: MAH14PNBGW



LW11-96

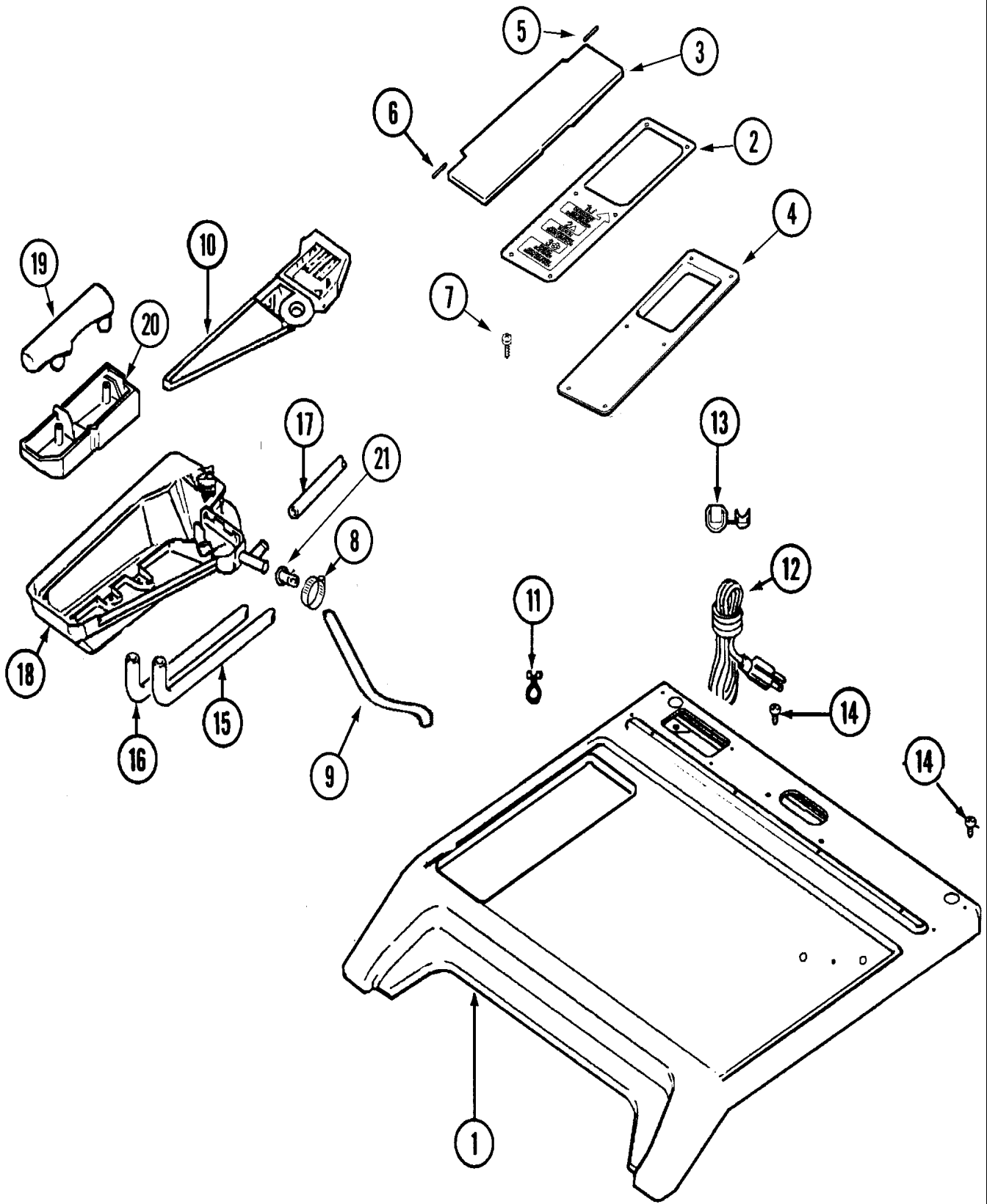
Section: CONTROL PANEL

| No. | Part No. | Description | Series | Qty |
|-----|----------|--|--------|-----|
| 1 | 22002346 | PANEL, CONTROL | 10 | 1 |
| 1 | 22003656 | PANEL, CONTROL ASSY. (WHT) | 10 | 1 |
| 2 | 215506 | SCREW, TORX Note: SCREW, CONTROL PANEL | 10 | 4 |
| 3 | 205810 | WIRE, GROUND | 10 | 1 |
| - | 215527 | SCREW Note: SCREW, CONTROL SWITCH | 10 | 2 |
| 4 | 206808 | CONTROL SWITCH ASSY. Note: CONTROL SWITCH ASSEMBLY | 10 | 1 |
| 5 | 215517 | PUSHBUTTON Note: PUSHBUTTON, CONTROL SWITCH | 10 | 2 |
| 6 | 22003090 | SWITCH & BACK BRKT ASY. (WHT) | 10 | 1 |
| 7 | 22002994 | SWITCH, PRESSURE | 10 | 1 |
| 8 | 22002010 | HOSE, AIR DOME Note: HOSE, PRESSURE SWITCH | 10 | 1 |
| 9 | 22003089 | CONSOLE (WHT) | 10 | 1 |
| 10 | 22001996 | SCREW Note: SCREW, CONSOLE | 10 | 5 |
| 11 | 215003 | FASTENER Note: FASTENER, SCREW | 10 | 2 |
| 12 | 22001960 | TRANSFORMER | 10 | 1 |
| 13 | 211251 | SCREW Note: SCREW, TRANSFORMER | 10 | 2 |
| 14 | 22001419 | NUT (ELASTIC) Note: NUT, TRANSFORMER | 10 | 2 |
| 15 | 22003560 | BOARD, CONTROL | 10 | 1 |
| 16 | 912077 | LOCKNUT Note: LOCKNUT, CONTROL BOARD | 10 | 6 |
| 17 | 33001204 | STANDOFF, CIRCUIT BOARD | 10 | 4 |
| 18 | 22002945 | HARNESS, WIRE | 10 | 1 |
| - | 33002090 | HARNESS, SERVICE | 10 | 1 |
| 19 | 22002954 | DEFLECTOR, WATER (W/ADHESIVE) | 10 | 1 |
| 20 | 211252 | SCREW Note: SCREW, GROUND WIRE | 10 | 1 |
| 21 | 215526 | SCREW Note: SCREW, CIRCUIT BOARD | 10 | 2 |
| 22 | 215527 | SCREW Note: SCREW, BACK BRACKET | 10 | 2 |
| 23 | 22001962 | COVER, DISPLAY | 10 | 1 |
| 24 | 22002942 | BOARD, RELAY (DRS) | 10 | 1 |
| 25 | 22002943 | STAND-OFF | 10 | 4 |
| - | 22003063 | SHIELD, PROGRAMMING SWITCH | 10 | 1 |
| 26 | 22003578 | SWITCH, SENSOR-EXPORT | 10 | 1 |
| 27 | 33001982 | BRACKET, SWITCH MOUNTING | 10 | 1 |
| 28 | 22002368 | SCREW----NA Note: SCREW, SWITCH | 10 | 2 |
| 29 | Y206081 | LOCK FOR ACCESS DOOR Note: LOCK | 10 | 1 |
| - | 213750 | LOCKING CAM Note: LOCKING TAB (CAM) | 10 | 1 |

*Color Code (-)=Not Shown #=Series, Serial Prefix or Run No., N=Not Available

Section: TOP

Model: MAH14PNBGW



LW16-48

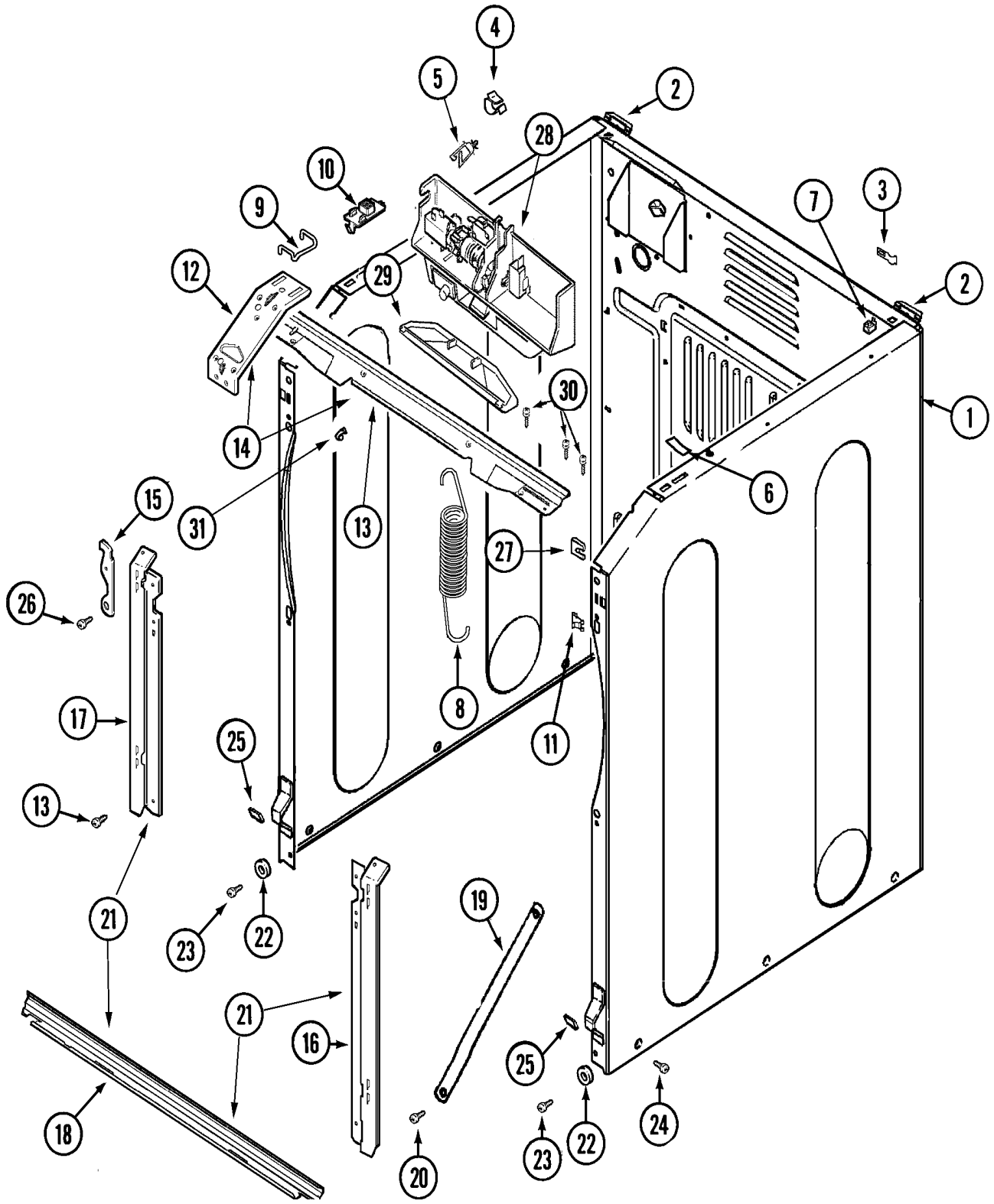
Section: TOP

| No. | Part No. | Description | Series | Qty |
|-----|------------|--|--------|-----|
| 1 | 22003584 | COVER, TOP (WHT-AS PK) | 67 | 1 |
| 1 | N 22002928 | COVER, TOP (WHT) | 10 | 1 |
| 2 | 22002032 | COVER, COMM. DISPENSER (WHT) | 10 | 1 |
| 2 | W10124350 | NOT REQUIRED PART OR SEE NOTE | 67 | 1 |
| 3 | 22002941 | LID, DISPENSER Note: LID, DISPENSER COMMERCIAL | 10 | 1 |
| 4 | 22002940 | BEZEL, DISPENSER | 10 | 1 |
| 5 | Y912678 | PIN, HINGE (LONG) Note: PIN, HINGE (LONG) | 10 | 1 |
| 6 | Y912679 | PIN, HINGE (SHORT) Note: PIN, HINGE (SHORT) | 10 | 1 |
| - | 22002031 | PALNUT Note: PALNUT, BEZEL | 10 | 4 |
| 7 | 22002060 | SCREW, BEZEL | 10 | 4 |
| 8 | 22002054 | CLAMP, STEPLESS Note: CLAMP, SHOWER HOSE TO DISP. | 10 | 1 |
| 9 | 22002556 | HOSE, SHOWER | 10 | 1 |
| 10 | 22002555 | FLUME, DISPENSER | 10 | 1 |
| - | 212276 | SCREW Note: SCREW, WIRE TIE | 10 | 1 |
| 11 | 22002027 | WIRE TIE, TWIST LOCK | 10 | 2 |
| - | 22003541 | ADAPTER (AUSTRALIA) 10 AMP | 10 | 1 |
| - | 210186 | SCREW, GROUND WIRE TO BASE--NA Note: SCREW, POWER CORD | 10 | 1 |
| - | 22003542 | ADAPTER (GEN EXPORT) 10 AMP | 10 | 1 |
| - | 33002501 | FILTER, EMI | 10 | 1 |
| - | 22003543 | ADAPTER (BRITIAN) 10 AMP | 10 | 1 |
| 13 | 216183 | GROMMET, CORD EXPORT | 10 | 1 |
| - | 22003050 | WIRE, GROUND | 10 | 1 |
| 14 | 210186 | SCREW, GROUND WIRE TO BASE--NA | 10 | 1 |
| - | 205161 | CLAMP - 15/16" Note: CLAMP 15/16, HOSE TO VALVE | 10 | 2 |
| 15 | 22002551 | HOSE, BLEACH | 10 | 1 |
| - | 205161 | CLAMP - 15/16" Note: CLAMP 15/16, HOSE TO VALVE | 10 | 2 |
| 16 | N 22002552 | HOSE, FABRIC SOFTENER----NA | 10 | 1 |
| 17 | 22002553 | HOSE, DETERGENT | 10 | 1 |
| - | 205161 | CLAMP - 15/16" Note: CLAM 15/16, HOSE TO VALVE | 10 | 2 |
| - | 22002230 | SCREW, DISPENSER | 10 | 2 |
| 18 | 22002768 | DISPENSER BOTTOM Note: DISPENSER BOTTOM, COMMERCIAL | 10 | 1 |
| 19 | 22002266 | CAP, SIPHON | 10 | 1 |
| 20 | 22002265 | CUP, SIPHON | 10 | 1 |
| 21 | 22001900 | PREVENTER, BACK FLOW | 10 | 1 |
| - | 22003260 | EXTENSION, NOZZLE | 10 | 1 |
| - | 22003462 | DISPENSER ASSY. Note: DISPENSER ASSY. (COMPLETE) | 10 | 1 |

*Color Code (-)=Not Shown #=Series, Serial Prefix or Run No., N=Not Available

Section: CABINET-FRONT

Model: MAH14PNBGW



LW12-33

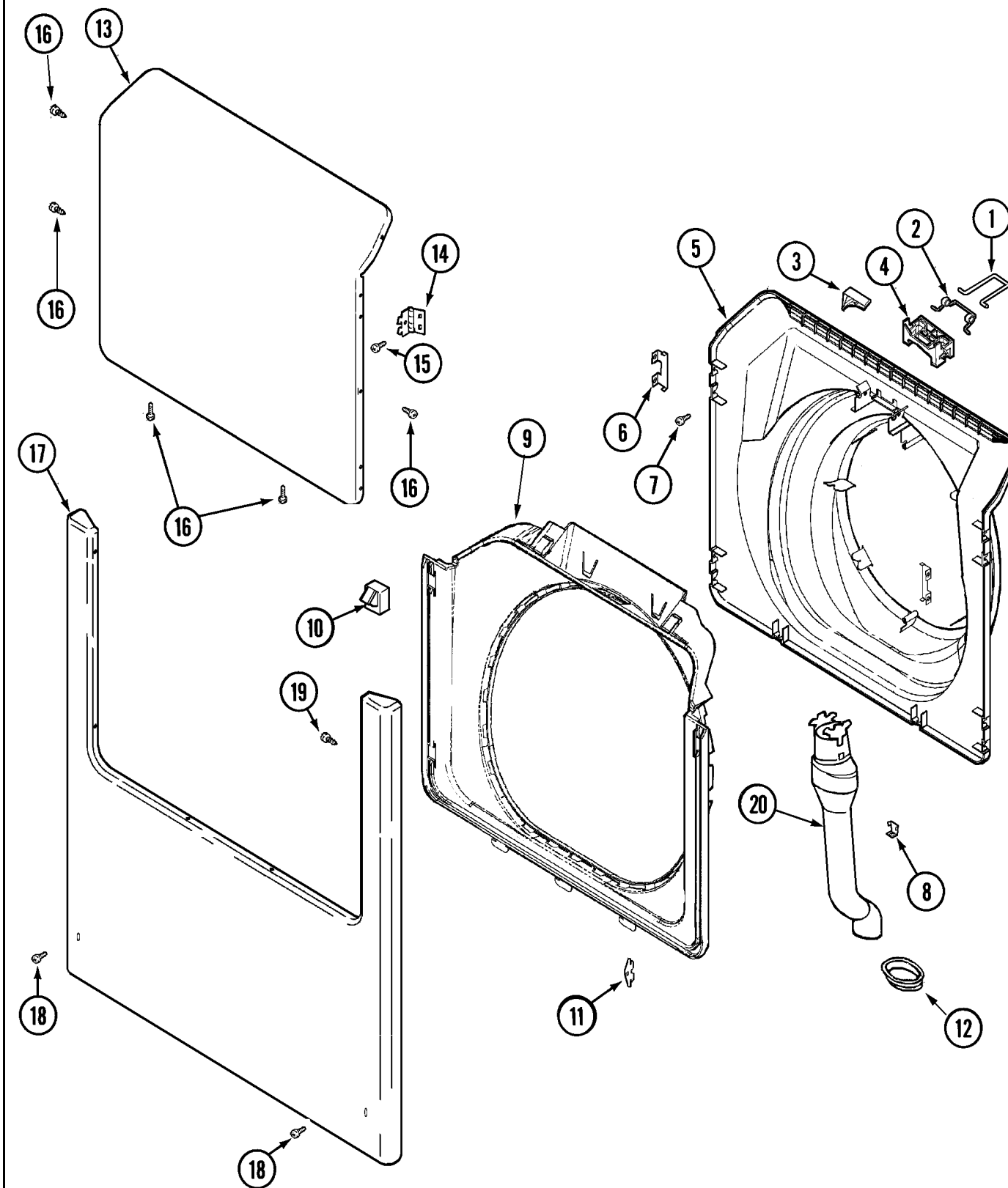
Section: CABINET-FRONT

| No. | Part No. | Description | Series | Qty |
|-----|------------|---|--------|-----|
| 1 | N 22003582 | CABINET, ASSY. (WHT-AS PK) | 67 | 1 |
| 1 | 22003639 | CABINET ASSY. (WHT AS PK) | 72 | 1 |
| 1 | 22002548 | CABINET ASSY. (WHT) | 10 | 1 |
| - | 22001995 | SCREW Note: SCREW, HINGE | 67 | 2 |
| 2 | 22003367 | HINGE, PLASTIC | 67 | 2 |
| 3 | 22002178 | BRACKET, WATER SWITCH Note: BRACKET, AIR DOME HOSE | 10 | 2 |
| - | 22002925 | SCREW Note: SCREW, BRACKET | 10 | 2 |
| 4 | 22002014 | CLIP Note: CLIP, WIRE HARNESS | 10 | 2 |
| 5 | 22003298 | RETAINER, WIRE | 10 | 2 |
| 6 | 33001836 | STRAP, TOP COVER SUPPORT | 10 | 1 |
| 7 | 310933 | FASTENER Note: FASTENER | 10 | 2 |
| 8 | 22002100 | SPRING Note: SPRING | 10 | 1 |
| 9 | 22002297 | SUPPORT, SPRING | 10 | 2 |
| 10 | 22001997 | SPACER, TOP COVER | 10 | 2 |
| 11 | 22002239 | CLIP, LOWER FRONT PANEL | 10 | 2 |
| 12 | 22002090 | BRACE, CORNER | 10 | 1 |
| 12 | 22002292 | BRACE, CORNER (LT) | 10 | 1 |
| - | 22003622 | BRACE, CORNER (RT) | 69 | 1 |
| 12 | 22003623 | BRACE, CORNER (LT) | 69 | 1 |
| 13 | 22003626 | SUPPORT, DOOR LOCK | 69 | 1 |
| 13 | 22002015 | SUPPORT, DOOR LOCK | 10 | 1 |
| 14 | 22003637 | BRACE ASSEMBLY, TOP CROSS Note: CONTAINS ITEMS 12 & 13 | 10 | 1 |
| 15 | 22002247 | HOOK, SECURITY | 10 | 2 |
| 16 | 22003625 | BRACKET, SHROUD SUPPORT (RT) | 69 | 1 |
| 16 | 22003224 | BRACKET, SHROUD (RT) | 10 | 1 |
| 17 | 22002985 | BRACKET, SHROUD (LT) | 10 | 1 |
| 17 | 22003624 | BRACKET, SHROUD SUPPORT (LT) | 69 | 1 |
| 18 | 22003664 | SUPPORT, LOWER SHROUD | 69 | 1 |
| 18 | 22002505 | BRIDGE, SHROUD SUPPORT | 10 | 1 |
| 19 | 22002767 | BRACE, CROSS | 10 | 2 |
| 20 | 22001995 | SCREW Note: SCREW, CROSS BRACE | 10 | 2 |
| 21 | 22003638 | SHROUD SUPPORT ASSEMBLY Note: CONTAINS ITEMS 16, 17, & 18 | 69 | 1 |
| 22 | 22002025 | DISC, FRONT PANEL SPACER | 10 | 2 |
| 23 | 22001995 | SCREW Note: SCREW, FRONT CABINET | 10 | 2 |
| 24 | 213007 | SCREW, CABINET | 72 | 6 |
| 24 | 213007 | SCREW, CABINET | 10 | 6 |
| 24 | 22003409 | SCREW----NA Note: SCREW, CABINET | 67 | 6 |
| 25 | 22002239 | CLIP, LOWER FRONT PANEL | 10 | 2 |
| 26 | 22001995 | SCREW Note: SCREW, SHROUD SUPPORT | 10 | 8 |
| 27 | 22002049 | CLIP Note: CLIP, PANEL | 10 | 2 |
| - | 22002119 | MOTOR, WAX | 10 | 1 |
| 28 | N 22003464 | LATCH, ASSY. (COMMERCIAL) | 10 | 1 |
| 29 | 22002957 | COVER, LATCH ASSEMBLY (LWR) | 10 | 1 |
| 30 | 22001995 | SCREW Note: SCREW, DOOR LATCH SUPPORT | 10 | 6 |
| 31 | 22002014 | CLIP | 10 | 1 |

*Color Code (-)=Not Shown #=Series, Serial Prefix or Run No., N=Not Available

Section: DOOR & FRONT PANEL

Model: MAH14PNBGW



LW18-14

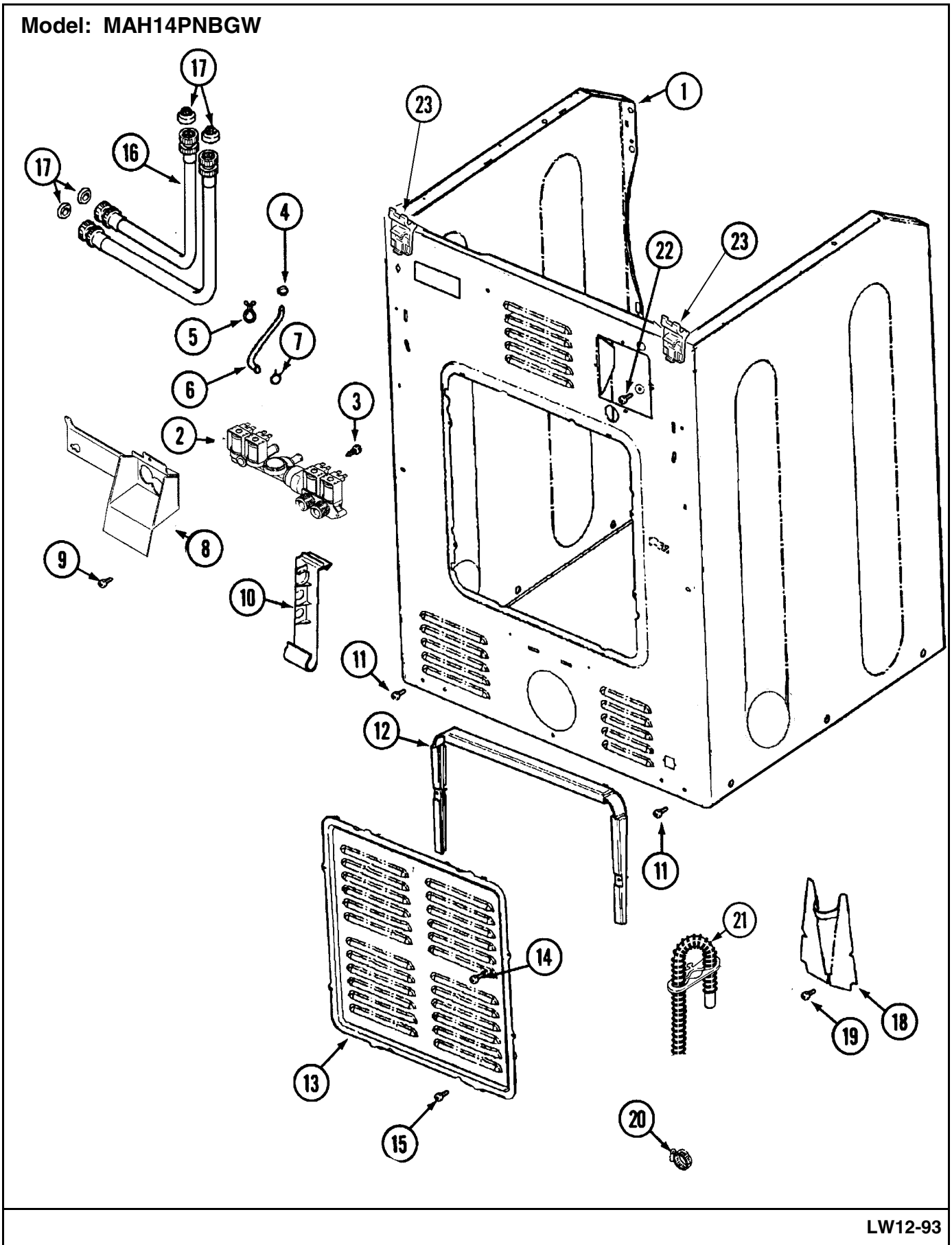
Section: DOOR & FRONT PANEL

| No. | Part No. | Description | Series | Qty |
|-----|-----------|--|--------|-----|
| 1 | 22003222 | HOOP, LOCK | 10 | 1 |
| 2 | 22002003 | SPRING, LATCH | 10 | 1 |
| - | 22003800 | INNER DOOR/VENTED (ASPK-WHT) | 76 | 1 |
| 3 | 22002355 | DOOR, INNER (WHT) Note: DOOR, INNER/DOOR STRIKE (WHT) (MUST ORDER ASSEMBLY TO OBTAIN STRIKE) | 10 | 1 |
| 4 | 22002168 | SUPPORT, LOCK HOOP | 10 | 1 |
| 5 | 22003083 | LINER, DOOR ASSY W/VENT (WHT) | 10 | 1 |
| 6 | 22002038 | CLIP, DOOR (DOUBLE) | 10 | 4 |
| 7 | 22002007 | SCREW Note: SCREW, STRIKE | 10 | 1 |
| 8 | 22002039 | CLIP, DOOR (SINGLE) | 10 | 2 |
| - | 22002333 | LABEL, OPEN DOOR (WASHER) | 10 | 1 |
| 9 | 22002234 | SHROUD, PLASTIC (WHT) | 10 | 1 |
| 10 | 22002046 | SWITCH, SECONDARY DOOR (WHT) | 10 | 1 |
| - | 33001846 | SCREW | 75 | 2 |
| - | 33001764 | COVER, HINGE HOLE (WHT) | 75 | 2 |
| 11 | 22002095 | COVER, HINGE (WHT) | 10 | 2 |
| 12 | 22003075 | GROMMET, VENT TUBE | 10 | 1 |
| - | 22002333 | LABEL, OPEN DOOR (WASHER) | 10 | 1 |
| 13 | 22001979 | DOOR, OUTER (WHT-W/DAMPER) | 10 | 1 |
| 14 | 22002798 | HINGE, DOOR | 10 | 2 |
| - | 22002001 | SUPPORT, HINGE | 10 | 4 |
| - | W10124350 | NOT REQUIRED PART OR SEE NOTE Note: NOT REQUIRED (HINGE SUPPORT) | 69 | 0 |
| - | 22002244 | CLIP, GROUNDING | 10 | 1 |
| 15 | 22002243 | SCREW Note: SCREW, FRONT PANEL & HINGE | 10 | 4 |
| 15 | 22002062 | SCREW Note: SCREW, HINGE | 10 | 4 |
| 16 | 22002063 | SCREW #8-18AB WAFER HD | 10 | 6 |
| 17 | 22002241 | PANEL, FRONT (WHT) | 10 | 1 |
| 18 | 22001496 | SCREW, TORX Note: SCREW, FRONT PANEL | 10 | 2 |
| 19 | 22002243 | SCREW Note: SCREW, PANEL | 10 | 4 |
| - | 22002244 | CLIP, GROUNDING | 10 | 1 |
| 20 | 22003576 | VENT TUBE ASSY. | 10 | 1 |

*Color Code (-)=Not Shown #=Series, Serial Prefix or Run No., N=Not Available

Section: CABINET-REAR

Model: MAH14PNBGW



LW12-93

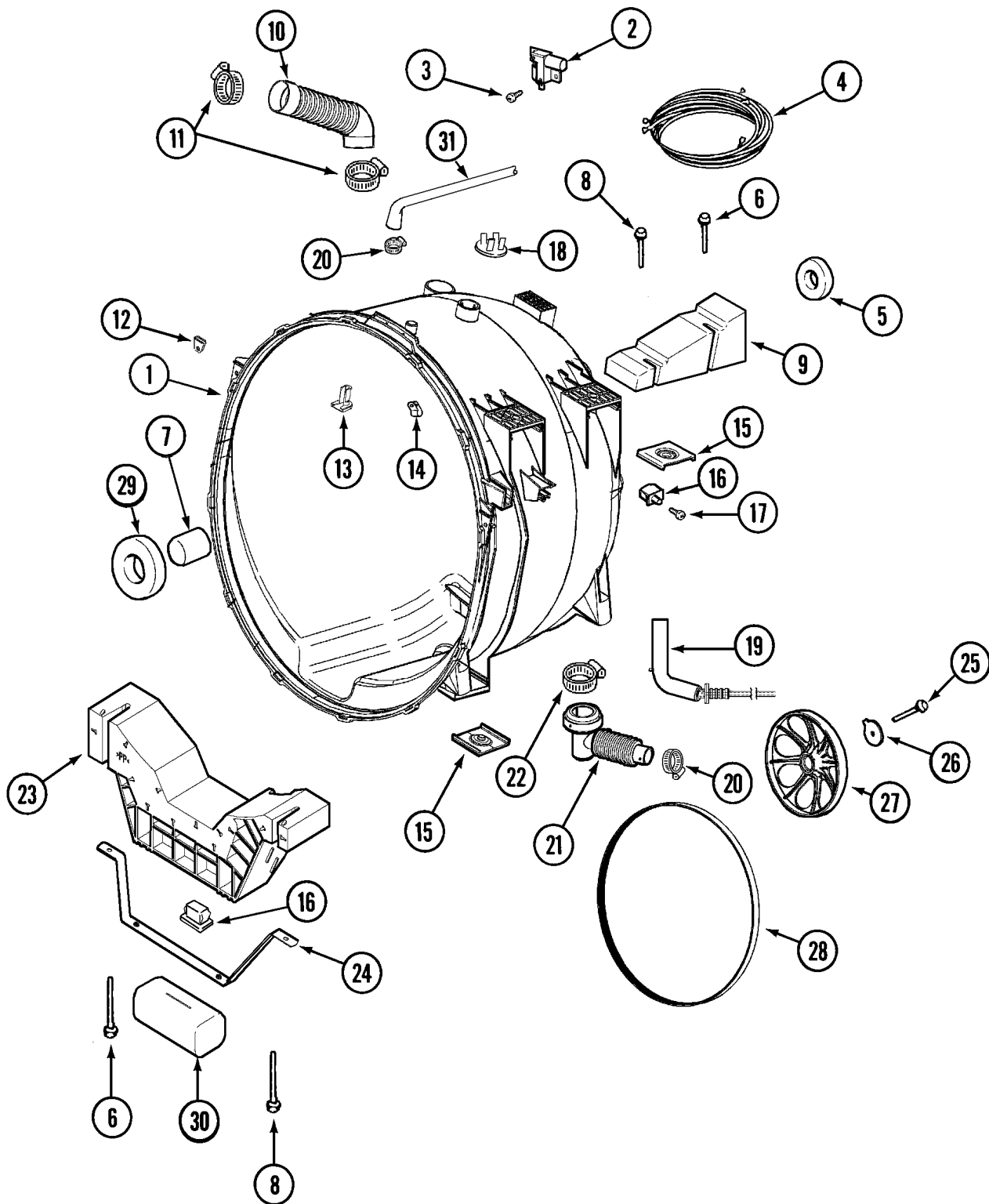
Section: CABINET-REAR

| No. | Part No. | Description | Series | Qty |
|-----|------------|---|--------|-----|
| 1 | N 22003582 | CABINET, ASSY. (WHT-AS PK) | 67 | 1 |
| - | 22002013 | STOP, SHIPPING | 10 | 2 |
| 1 | 22003639 | CABINET ASSY. (WHT AS PK) | 72 | 1 |
| 1 | 22002548 | CABINET ASSY. (WHT) | 10 | 1 |
| 2 | 22002903 | VALVE, WATER | 10 | 1 |
| 3 | N 313561 | SCREW----NA Note: SCREW, WATER VALVE | 10 | 2 |
| 4 | 22003627 | CLAMP, STEPLESS | 10 | 1 |
| 5 | 22002027 | WIRE TIE, TWIST LOCK | 10 | 2 |
| 6 | 22002083 | HOSE, INJECTOR | 10 | 1 |
| 7 | 216169 | CLAMP,HOSE-INJEC.HOSE TO VALVE Note: CLAMP, INJECTOR HOSE | 10 | 1 |
| 8 | 33002212 | BRACKET, WATER VALVE | 10 | 1 |
| 9 | 22002436 | SCREW Note: SCREW, WATER VALVE BRACKET | 10 | 1 |
| 10 | 33002213 | RACK, HOSE | 10 | 1 |
| 11 | 22001995 | SCREW Note: SCREW, CABINET | 10 | 2 |
| 12 | 22002022 | SPACER, ACCESS PANEL | 10 | 1 |
| 13 | 22002092 | PANEL, ACCESS | 10 | 1 |
| - | 22002349 | LOCK, ACCESS DOOR | 10 | 1 |
| 14 | 22002295 | SCREW Note: SCREW, ACCESS PANEL SPACER | 10 | 2 |
| 15 | 22001996 | SCREW Note: SCREW, ACCESS PANEL | 10 | 2 |
| 16 | 35-3400 | HOSE, INLET (COLD) | 10 | 1 |
| 16 | 35-3401 | HOSE, INLET (HOT) | 10 | 1 |
| 17 | 12001413 | STRAINER & WASHER KIT | 10 | 1 |
| 18 | 22002704 | COVER, DRAIN HOSE | 10 | 1 |
| 19 | 22001995 | SCREW Note: SCREW, DRAIN HOSE COVER | 10 | 1 |
| 20 | 22001984 | CLAMP, DRAIN HOSE | 10 | 2 |
| - | 22002893 | TIE, CABLE | 10 | 1 |
| - | 22002932 | CLIP, DRAIN HOSE | 10 | 1 |
| 21 | 12001659 | DRAIN HOSE REPLACEMENT(NEPTUN) Note: DRAIN HOSE KIT (CORRUGATED) (INCLUDES THE FOLLOWING PARTS) | 10 | 1 |
| - | 22002892 | RETAINER, DRAIN HOSE | 10 | 1 |
| - | 22003319 | HOSE, DRAIN (CORR)(80 1/2") | 10 | 1 |
| 22 | N 33001245 | SCREW----NA Note: SCREW, GROUND LUG | 10 | 1 |
| 23 | 22003367 | HINGE, PLASTIC | 10 | 2 |
| - | 22001995 | SCREW | 10 | 2 |

*Color Code (-)=Not Shown #=Series, Serial Prefix or Run No., N=Not Available

Section: OUTER TUB

Model: MAH14PNBGW



CW17-51

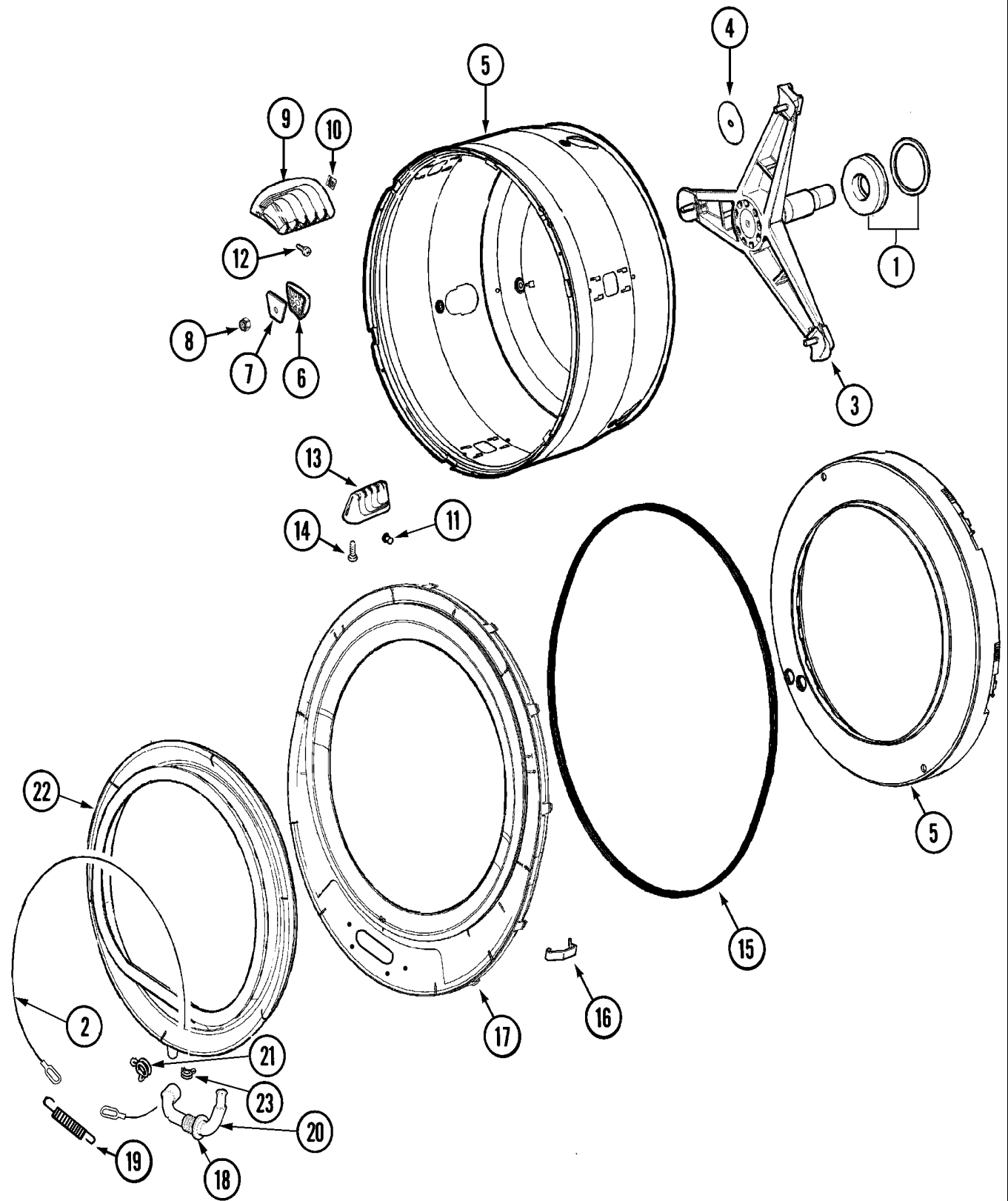
Section: OUTER TUB

| No. | Part No. | Description | Series | Qty |
|-----|----------|--|--------|-----|
| 1 | 22002154 | TUB ASSY. (OUTER) | 10 | 1 |
| 2 | 22002045 | SWITCH, INERTIAL - UNBALANCE | 10 | 1 |
| 3 | 912615 | SCREW, #8X1/2 HEX WASHER HEAD Note: SCREW, INERTIAL SWITCH | 10 | 2 |
| 4 | 22002545 | WIRE HARNESS, DISPLACEMENT | 10 | 1 |
| 5 | 22003441 | BEARING, REAR | 10 | 1 |
| 6 | 22003615 | BOLT, DOUBLE SEMS 5-3/8 | 10 | 2 |
| 7 | 22002935 | SPACER, BEARING | 10 | 1 |
| 8 | 22003616 | BOLT, DOUBLE SEMS 3-3/8 | 10 | 2 |
| 9 | 22002102 | WEIGHT, COUNTER BALANCE | 10 | 1 |
| 10 | 22002083 | HOSE, INJECTOR | 10 | 1 |
| 11 | 22002052 | CLAMP, INJECTOR HOSE | 10 | 2 |
| 12 | 22002103 | CLIP, U Note: CLIP, U | 10 | 2 |
| 13 | 22002959 | DEFLECTOR, WATER | 10 | 1 |
| - | 22002061 | SCREW | 10 | 1 |
| 14 | 22002006 | CLIP Note: CLIP, WIRE HARNESS & OUTER TUB | 10 | 1 |
| 15 | 22002065 | NUT, COUNTER BALANCE | 10 | 4 |
| 16 | 22002044 | SWITCH, TUB DISPLACEMENT | 10 | 2 |
| - | 33002215 | BRACKET, UNBALANCE SWITCH | 10 | 1 |
| - | 22003065 | COVER, UNBALANCE SWITCH | 10 | 1 |
| 17 | 22002061 | SCREW Note: SCREW, DISPLACEMENT SWITCH | 10 | 2 |
| 18 | 22002797 | CLIP, HOSE (SADDLE HORN) | 10 | 1 |
| 19 | 22002010 | HOSE, AIR DOME | 10 | 1 |
| 20 | 202515 | HOSE CLAMP - 1-1/16 INCH | 10 | 1 |
| 21 | 22002081 | HOSE, TUB OUTLET | 10 | 1 |
| 22 | 22002053 | CLAMP, SUMP HOSE | 10 | 1 |
| 23 | 22002579 | FRONT WEIGHT BRACKET | 10 | 1 |
| 24 | 22002008 | STRAP | 10 | 1 |
| 25 | 22002057 | SCREW, SPINNER | 10 | 1 |
| 26 | 22002055 | WASHER, SPINNER SHAFT | 10 | 1 |
| 27 | 22002315 | PULLEY, SPINNER | 10 | 1 |
| 28 | 22002313 | BELT, DRIVE | 10 | 1 |
| 29 | 22002934 | BEARING, FRONT | 10 | 1 |
| 30 | 22002011 | CUSHION | 10 | 1 |

*Color Code (-)=Not Shown #=Series, Serial Prefix or Run No., N=Not Available

Section: SPINNER ASSEMBLY & OUTER TUB COVER

Model: MAH14PNBGW



LW13-42

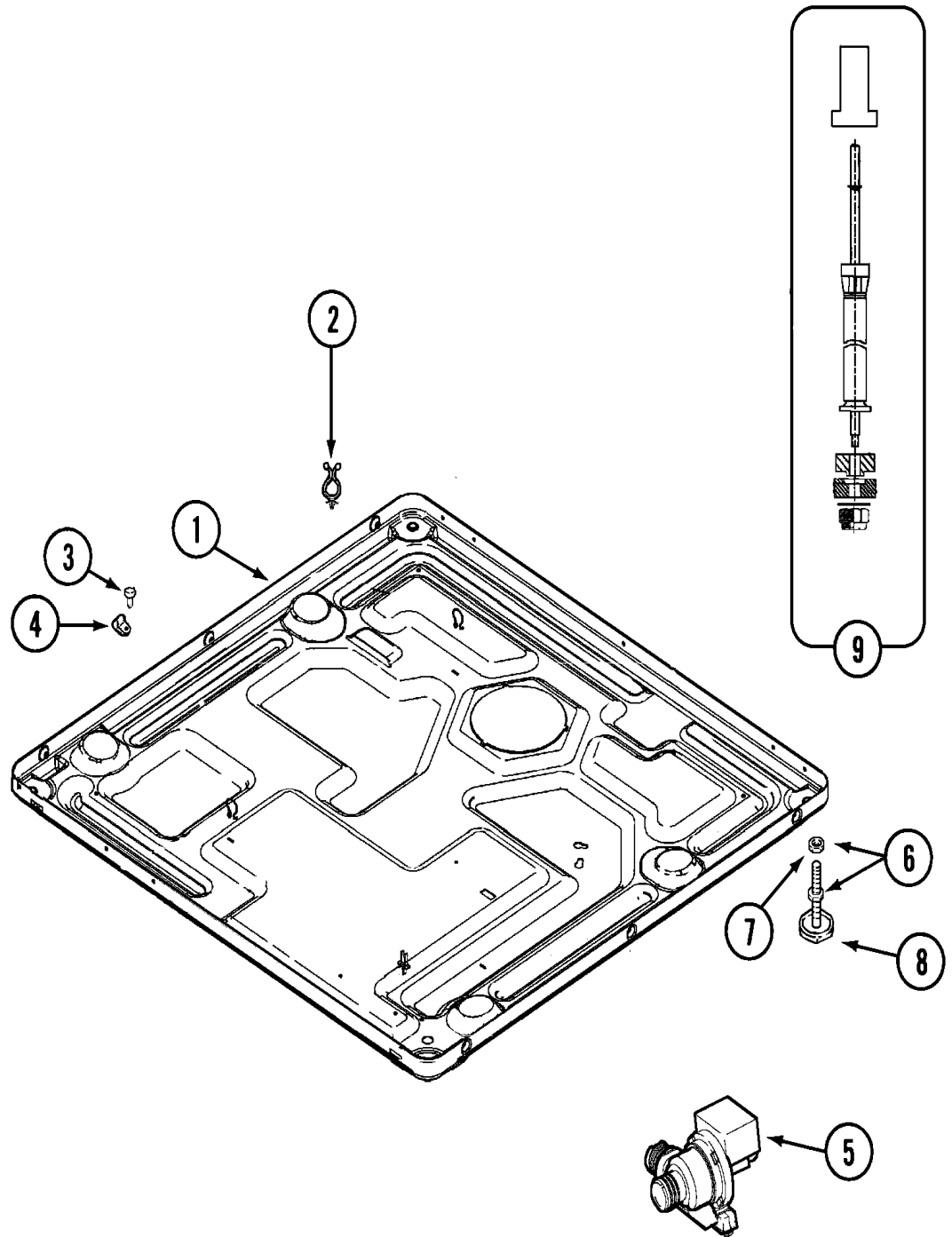
Section: SPINNER ASSEMBLY & OUTER TUB COVER

| No. | Part No. | Description | Series | Qty |
|-----|----------|--|--------|-----|
| 1 | 12001478 | LIP SEAL SVC ASSY. | 10 | 1 |
| 2 | 22002327 | BOOT CABLE CLAMP | 10 | 1 |
| - | 22002123 | TUBE, MOLYKOTE | 10 | 1 |
| 3 | 22002897 | SUPPORT ASSY., SPINNER | 10 | 1 |
| 4 | 22002023 | WASHER, PLASTIC | 10 | 3 |
| 5 | 22002115 | SPINNER ASSY. (W/BALANCE RING) | 10 | 1 |
| 6 | 22002482 | WASHER, PROFILE | 10 | 3 |
| 7 | 22002020 | WASHER, SPINNER SUPPORT | 10 | 3 |
| 8 | 22002122 | NUT, SPINNER ATTACHMENT | 10 | 3 |
| 9 | 22001985 | BAFFLE, DRIP (REAR) | 10 | 3 |
| 10 | 22002009 | GROMMET, BAFFLE (REAR) | 10 | 3 |
| 11 | 22001999 | GROMMET, BAFFLE (FRT) | 10 | 3 |
| 12 | 22002325 | SCREW Note: SCREW, BAFFLE (REAR) | 10 | 6 |
| 13 | 22001986 | BAFFLE, DRIP (FRONT) | 10 | 3 |
| 14 | 22002059 | SCREW Note: SCREW, BAFFLE (FRONT) | 10 | 6 |
| 15 | 22002077 | SEAL, TUB COVER | 10 | 1 |
| 16 | 22002050 | CLIP, TUB TO COVER | 10 | 14 |
| - | 22003074 | GUARD, HOSE | 10 | 1 |
| 17 | 22003212 | COVER, TUB (W/SEAL) (ASP) | 10 | 1 |
| 18 | 22003074 | GUARD, HOSE | 10 | 1 |
| 19 | 22002099 | SPRING, TUB | 10 | 1 |
| 20 | 22003071 | DOOR BOOT DRAIN HOSE Note: HOSE, DOOR BOOT DRAIN | 10 | 1 |
| 21 | 22003072 | CLAMP, HOSE DOUBLE WIRE | 10 | 1 |
| 22 | 12001772 | KIT, DOOR BOOT W/DRAIN | 10 | 1 |
| 23 | 22003073 | CLAMP, HOSE DOUBLE WIRE | 10 | 1 |

*Color Code (-)=Not Shown #=Series, Serial Prefix or Run No., N=Not Available

Section: BASE

Model: MAH14PNBGW



CW19-38

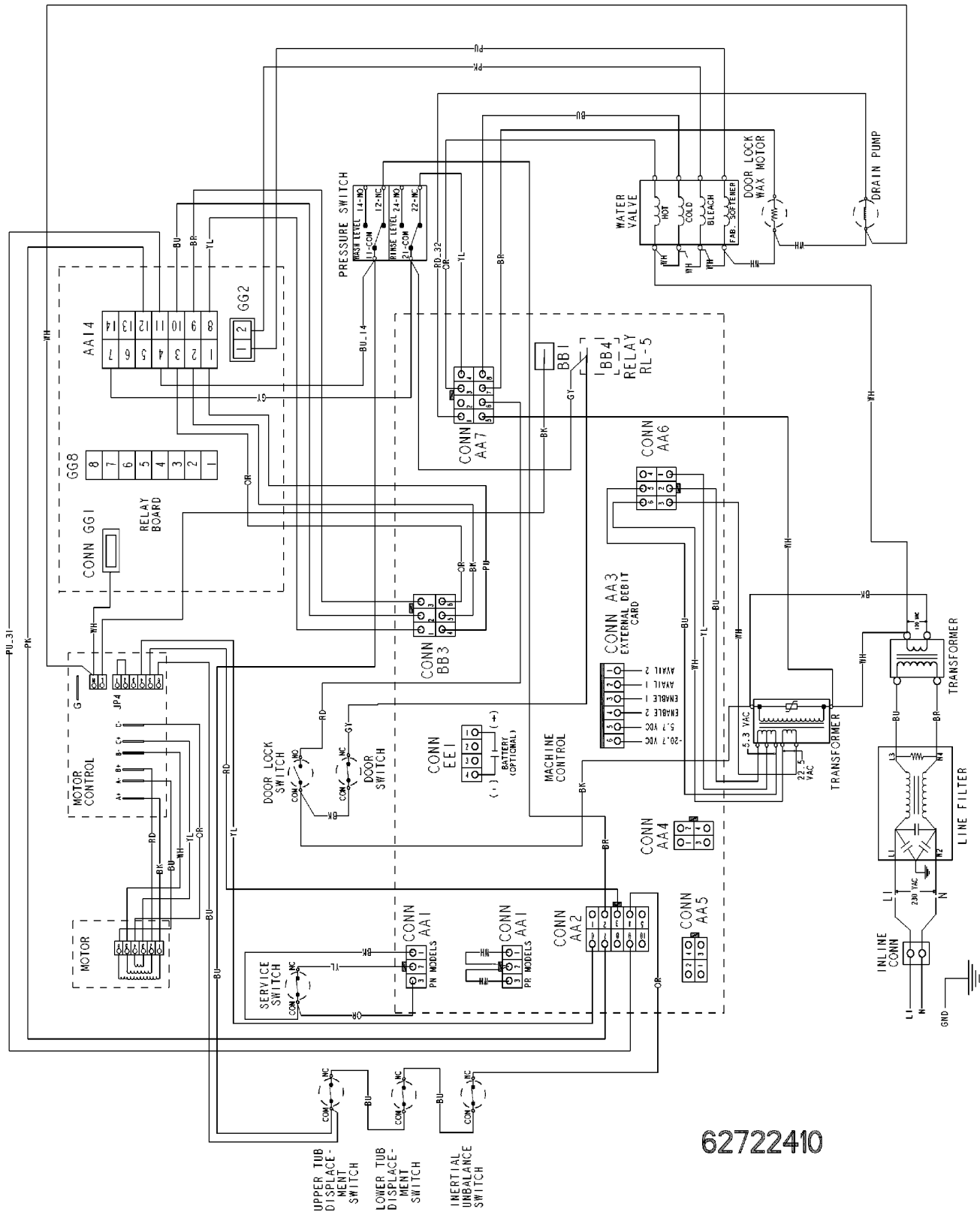
Section: BASE

| No. | Part No. | Description | Series | Qty |
|-----|----------|--------------------------------------|--------|-----|
| 1 | 22003580 | BASE, ASSEMBLY | 67 | 1 |
| 1 | 22002240 | BASE | 10 | 1 |
| 1 | 22003605 | BASE WELD ASSEMBLY | 72 | 1 |
| 2 | 315471 | RETAINER, WIRE Note: RETAINER, WIRE | 10 | 5 |
| 3 | 212276 | SCREW Note: SCREW, WIRE HARNESS CLIP | 10 | 1 |
| 4 | 22002014 | CLIP Note: CLIP, WIRE HARNESS | 10 | 1 |
| 5 | 22002809 | PUMP (50HZ) | 10 | 1 |
| 6 | 22003544 | ADJUSTABLE LEG W/FOOT & NUT | 10 | 4 |
| 7 | Y052740 | NUT Note: NUT, LEG | 10 | 4 |
| 8 | 210684 | FOOT, RUBBER | 10 | 4 |
| 9 | 22001988 | STRUT ASSY-REAR | 10 | 2 |
| 10 | 22002476 | TRANSFORMER | 10 | 1 |
| - | 22002477 | SHIELD, TRANSFORMER | 10 | 1 |
| - | 22003778 | TRANSFORMER | 82 | 1 |

*Color Code (-)=Not Shown #=Series, Serial Prefix or Run No., N=Not Available

Section: WIRING INFORMATION

Model: MAH14PNBGW

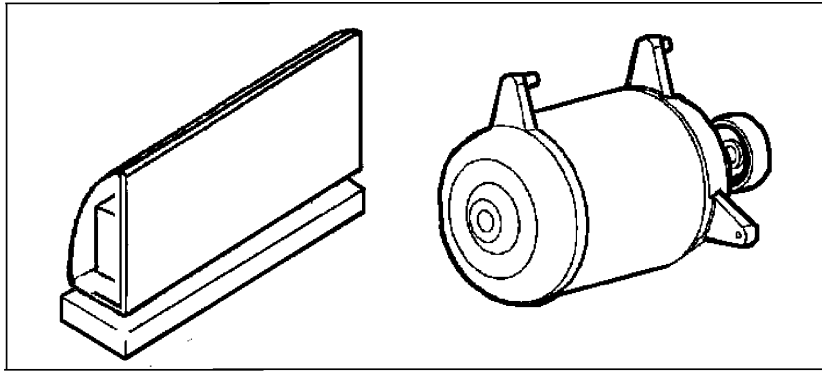


62722410

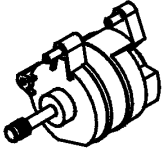
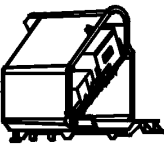
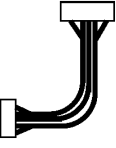
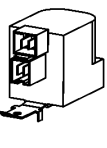
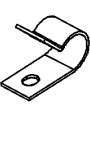

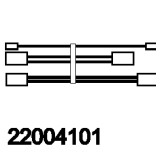

15002880

Section: MOTOR & MOTOR CONTROL

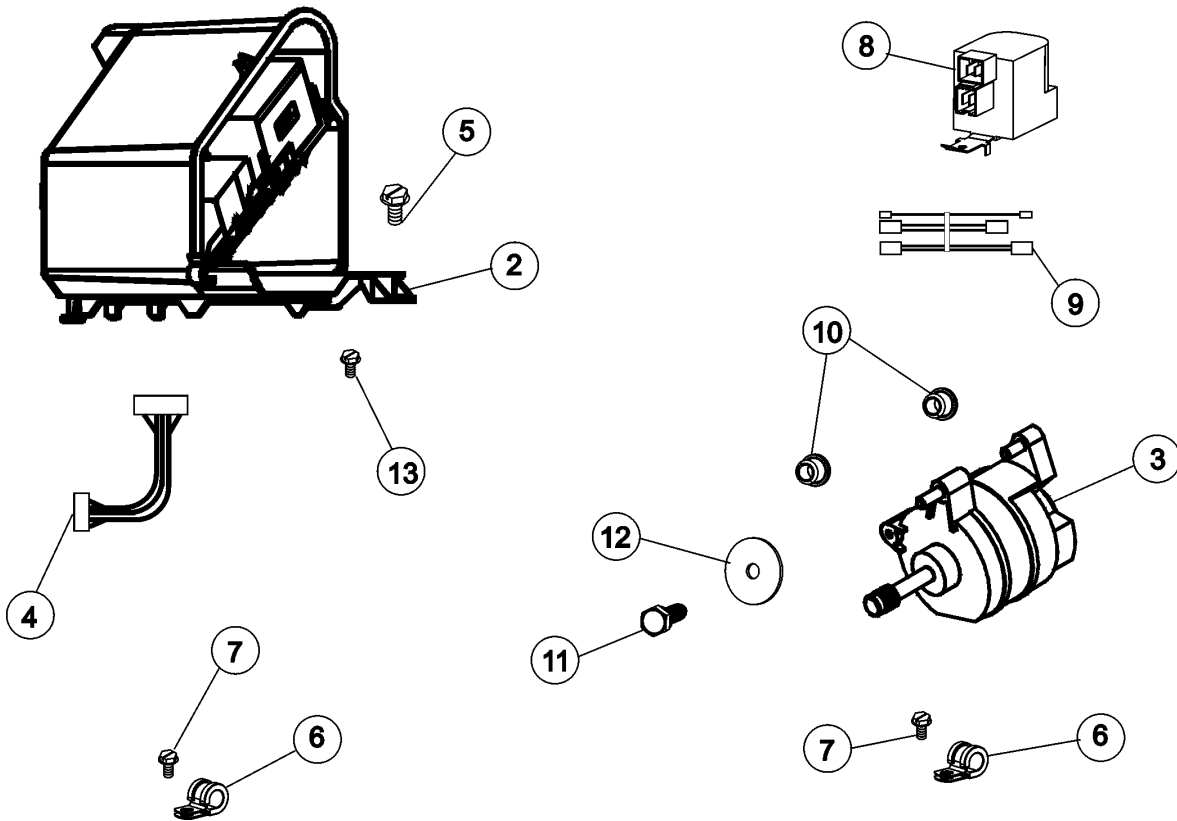
Model: MAH14PNBGW



**ITEM 1
KIT CONTAINS:**

| | | | | | | | |
|---|--|--|---|--|---|--|---|
|  <p>120002040 MOTOR W/ISOLATORS</p> |  <p>22004046 MOTOR CONTROL BOARD</p> |  <p>22004047 MOTOR HARNESS</p> |  <p>22003854 AC LINE FILTER</p> |  <p>22004102 "P" CLIPS (2)</p> |  <p>22002300 SCREW "P" CLIPS TO MOTOR</p> |  <p>22004101 LOWER JUMPER WIRE HARNESS</p> |  <p>22004103 SCREW GROUND</p> |
|---|--|--|---|--|---|--|---|

(SEE TEXT FOR ITEMS 2, 3, 4 AND 8)



CW23-04

Section: MOTOR & MOTOR CONTROL

| No. | Part No. | Description | Series | Qty |
|-----|----------|------------------------------|--------|-----|
| 1 | 12002039 | NEPTUNE MOTOR CONVERSION KIT | 10 | 1 |
| 2 | 22004046 | CONTROL ASSY., MOTOR | 10 | 1 |
| 3 | 22003856 | MOTOR, VARIABLE SPEED | 10 | 1 |
| 4 | 22004047 | HARNES, MOTOR/MOTOR CONTROL | 10 | 1 |
| 5 | 33002190 | SCREW (#10-3/8") | 10 | 2 |
| 6 | 22004102 | P CLIPS | 10 | 2 |
| 7 | 22002300 | SCREW | 10 | 2 |
| 8 | 22003854 | EMI SUPPRESSION FILTER, 12A | 10 | 1 |
| 9 | 22004101 | REPAIR JUMPER HARNES | 10 | 1 |
| 10 | 22003329 | ISOLATOR, MOTOR | 10 | 2 |
| 11 | 22003686 | BOLT, MOTOR | 10 | 1 |
| 12 | 22002320 | WASHER, STRUT | 10 | 1 |
| 13 | 22004103 | SCREW | 10 | 1 |

*Color Code (-)=Not Shown #=Series, Serial Prefix or Run No., N=Not Available

