

PARTS LIST

for

MAYTAG[®]

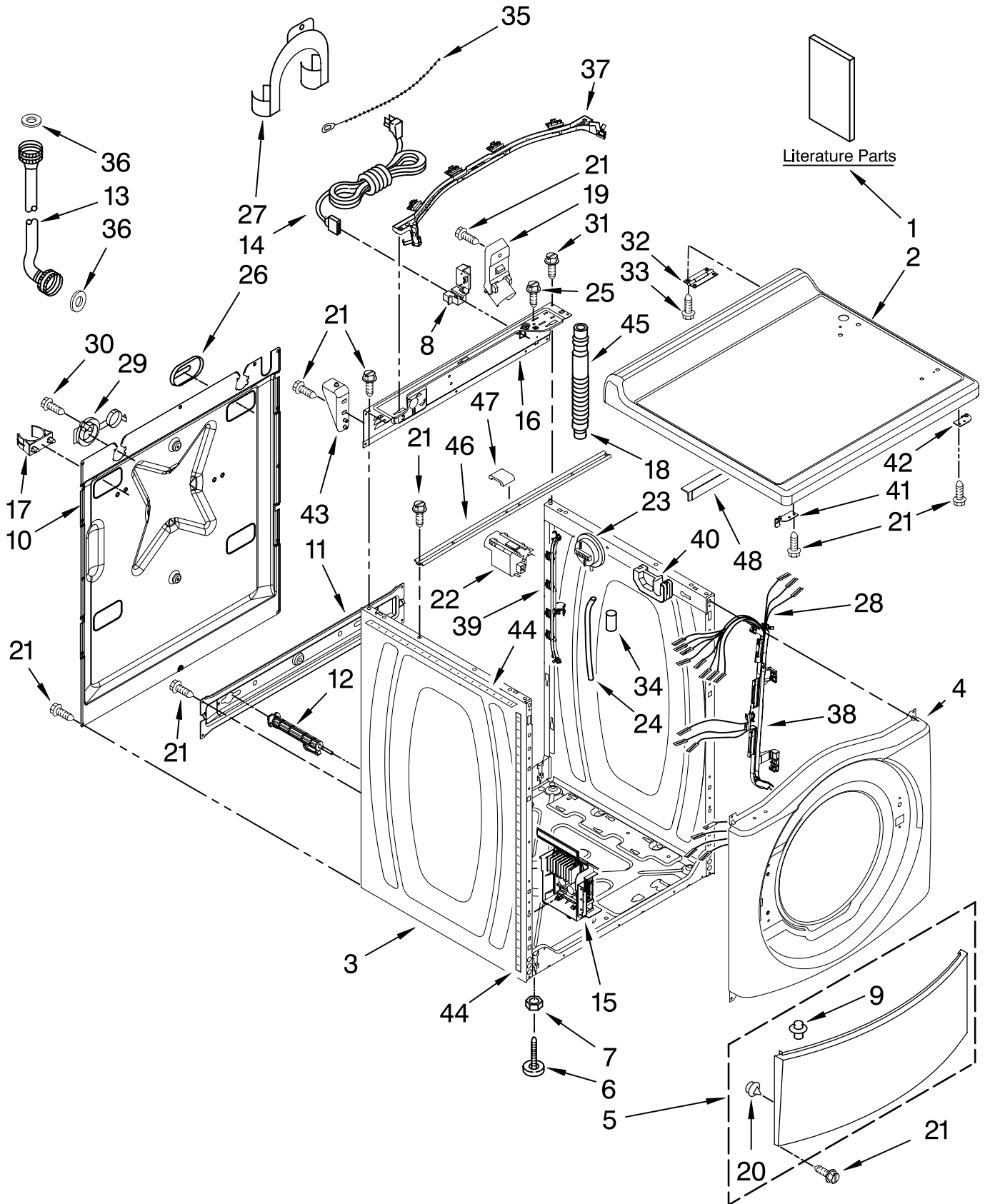
**COMMERCIAL
AUTOMATIC WASHER**

MODEL NO.

MAH22PDAGW0

TOP AND CABINET PARTS

For Model: MAH2PDAGW0
(White)



FOR ORDERING INFORMATION REFER TO PARTS PRICE LIST

TOP AND CABINET PARTS

For Model: MAH22PDAGW0

(White)

Illus. No.	Part No.	DESCRIPTION	Illus. No.	Part No.	DESCRIPTION	Illus. No.	Part No.	DESCRIPTION
1		Literature Parts	15	W10259012	Motor Control Unit	32	8565018	Hinge & Pin Assembly
	W10299730	Installation Instructions	16	W10161694	Brace, Rear			
	W10260359	User Instructions	17	W10182936	Clamp, Tube-Transportation (3)	33	342055	Screw, 8-18 X 1/2
		Tech Sheet				34	2161302	Sleeve, Pressure Switch Hose
	W10222793	English	18	W10225577	Hose, Drain	35	3347868	Cable Tie
	W10222794	French	19	8540607	Retainer, Hose Outlet	36	3976300	Washer, Water Inlet Hose (4)
	W10260629	Repair Parts List	20	238614	Bumper (2)			1-1/16 x 5/8
2	W10137411	Top	21	W10015090	Screw, 8-18 x 5/8	37	W10168548	Harness Channel, Top Rear
3	W10201831	Cabinet	22	W10269676	Filter, Interference	38	W10200785	Harness Channel, Side Front
4	W10306505	Panel, Front	23	W10163980	Switch, Pressure	39	W10168547	Harness Channel, Side Rear
5	8540813	Toe Panel	24	8540294	Hose, Pressure Switch	40	8540643	Bracket, Spring
6	W10245373	Foot, Leveling (4)	25	8540479	Screw, Grounding	41	W10137445	Bracket - Top Panel, Left
7	3359452	Nut, Lock (4)	26	8540268	Cover, Transport	42	W10137444	Bracket - Top Panel, Right
8	W10110676	Strain Relief, Power Cord	27	8540021	U-Bend, Drain Hose	43	W10137398	Stop - Top Panel
9	8518891	Rivet	28	W10203594	Harness, Wiring (Lower Main) (Includes Item 38)	44	8318396	Seal, Foam-IEC
10	8540582	Panel, Rear	29	8540728	Sleeve, Cord Support (2)	45	W10231519	Sleeve, Drain Hose
11	W10189659	Brace, Transport	30	8540727	Screw, 3 x 8 mm	46	8540721	Brace, Top
12	W10251449	Bolt, Shipping (4)	31	8540329	Screw	47	8283273	Damper, Brace (6)
13		Hose, Water Inlet				48	W10279059	Support, Top-Angle
	W10276793	Cold Water						
	W10276795	Warm Water						
14	W10045597	Cord, Power (Parts Not Shown)						
	W10153836	10A Cord Lock						
		10A Cord Adapters:						
	W10223804	Australian						
	W10223807	British						
	W10223809	European						

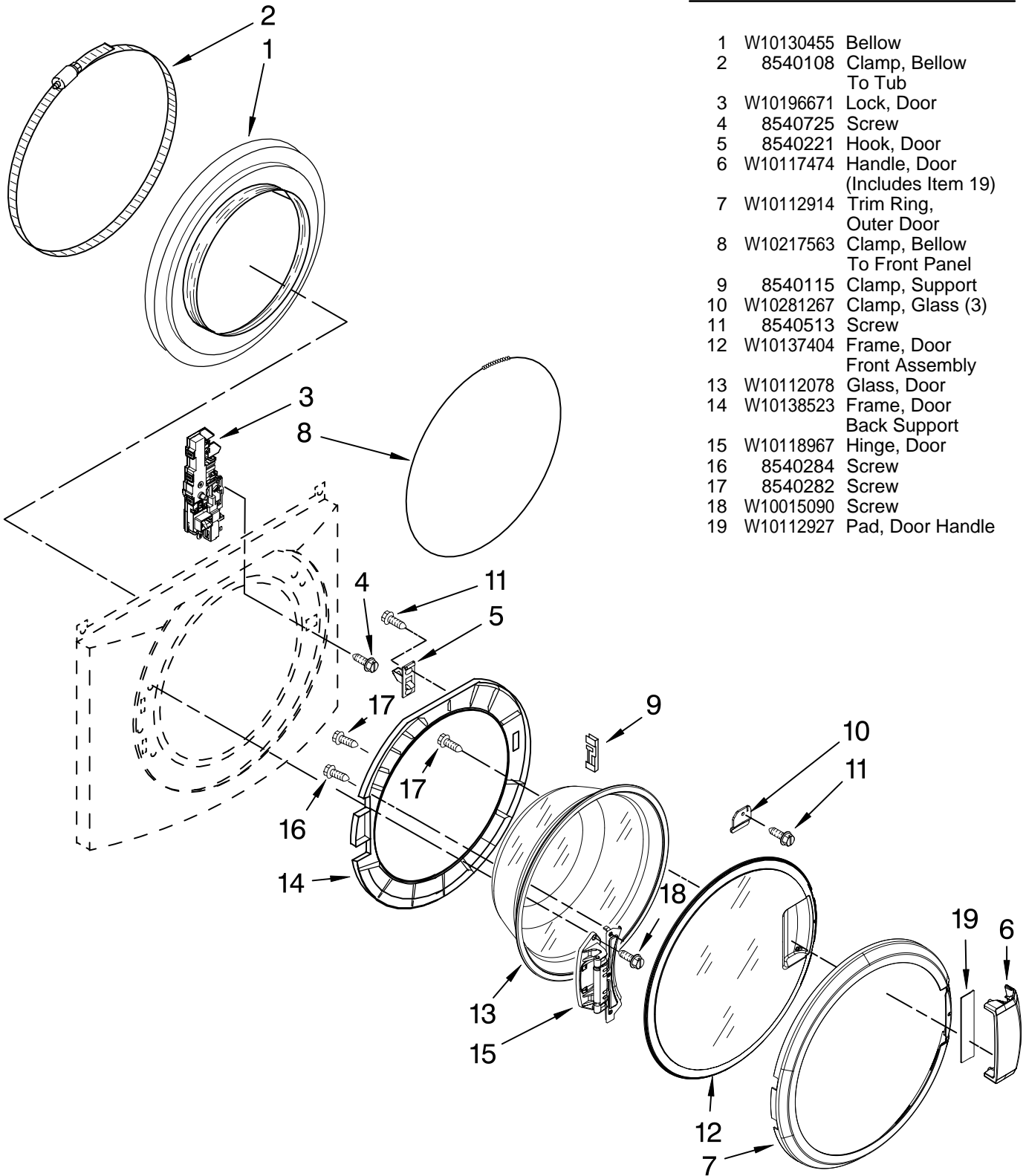
FOR ORDERING INFORMATION REFER TO PARTS PRICE LIST

DOOR AND LATCH PARTS

For Model: MAH22PDAGW0
(White)

Illus. No.	Part No.	DESCRIPTION
------------	----------	-------------

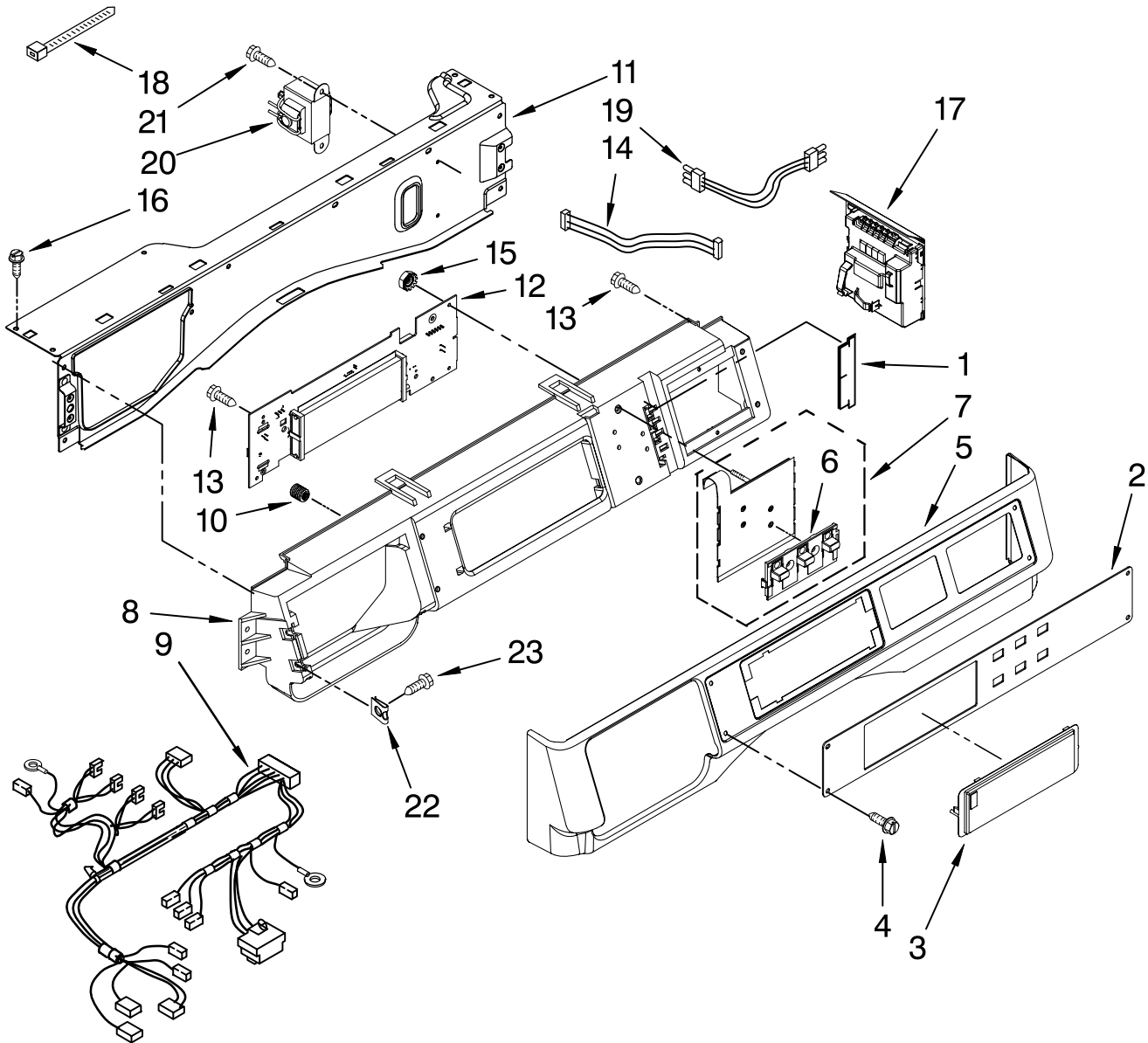
- | | | |
|----|-----------|---------------------------------|
| 1 | W10130455 | Bellow |
| 2 | 8540108 | Clamp, Bellow To Tub |
| 3 | W10196671 | Lock, Door |
| 4 | 8540725 | Screw |
| 5 | 8540221 | Hook, Door |
| 6 | W10117474 | Handle, Door (Includes Item 19) |
| 7 | W10112914 | Trim Ring, Outer Door |
| 8 | W10217563 | Clamp, Bellow To Front Panel |
| 9 | 8540115 | Clamp, Support |
| 10 | W10281267 | Clamp, Glass (3) |
| 11 | 8540513 | Screw |
| 12 | W10137404 | Frame, Door Front Assembly |
| 13 | W10112078 | Glass, Door |
| 14 | W10138523 | Frame, Door Back Support |
| 15 | W10118967 | Hinge, Door |
| 16 | 8540284 | Screw |
| 17 | 8540282 | Screw |
| 18 | W10015090 | Screw |
| 19 | W10112927 | Pad, Door Handle |



FOR ORDERING INFORMATION REFER TO PARTS PRICE LIST

CONTROL PANEL PARTS

For Model: MAH22PDAGW0
(White)



Illus. No.	Part No.	DESCRIPTION
1	W10187276	Seal, Console
2	W10137436	Facia / Overlay
3	W10131114	Cover, Display
4	W10137457	Screw, 8-32 X 1/2
5	W10137458	Console, Outer
6	W10131113	Push Button (2)
7	W10135389	Push Button & Switch Assembly
8	W10137426	Console, Inner

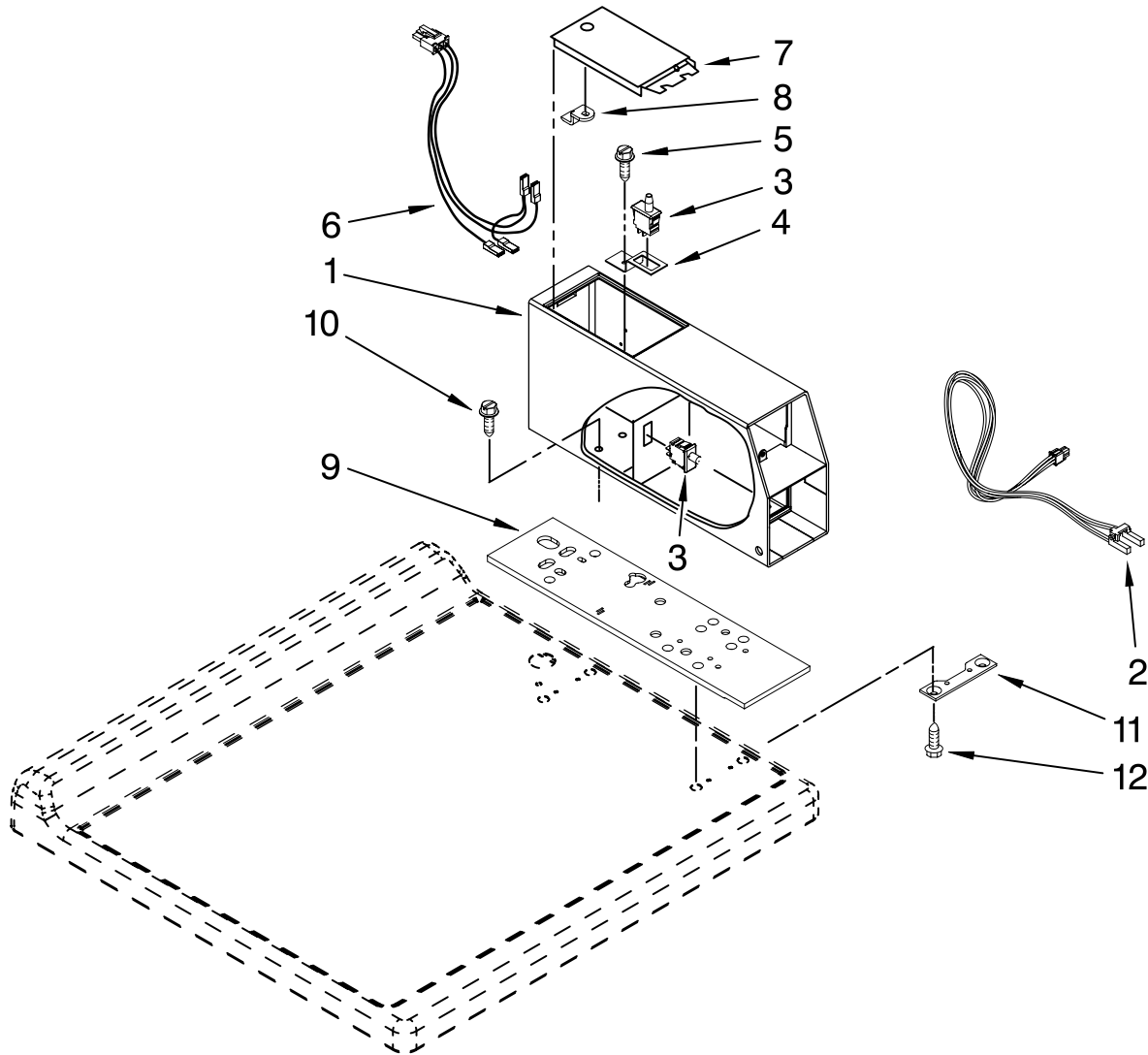
Illus. No.	Part No.	DESCRIPTION
9	W10200768	Harness, Wiring (Upper Main) (Includes Items 37 & 39 On Page 2)
10	W10189313	Insert
11	W10137396	Bracket, Console
12	W10166341	User Interface
13	489136	Screw, 3-24 X 3/8
14	W10155150	Harness, Test
15	W10139046	Nut 6-32

Illus. No.	Part No.	DESCRIPTION
16	W10015090	Screw, 8-18 X 5/8
17	W10202105	Microcomputer, Machine Control
18	3429563	Cable Tie
19	W10200791	Harness, Wiring (Console UIC)
20	W10205520	Transformer 240 To 22.5 VAC
21	8540329	Screw, 8-18 X 7/16
22	9781235	Nut, U-Type (2)
23	W10131119	Screw, 8-18 x 1/2

FOR ORDERING INFORMATION REFER TO PARTS PRICE LIST

METER CASE PARTS

For Model: MAH22PDAGW0
(White)



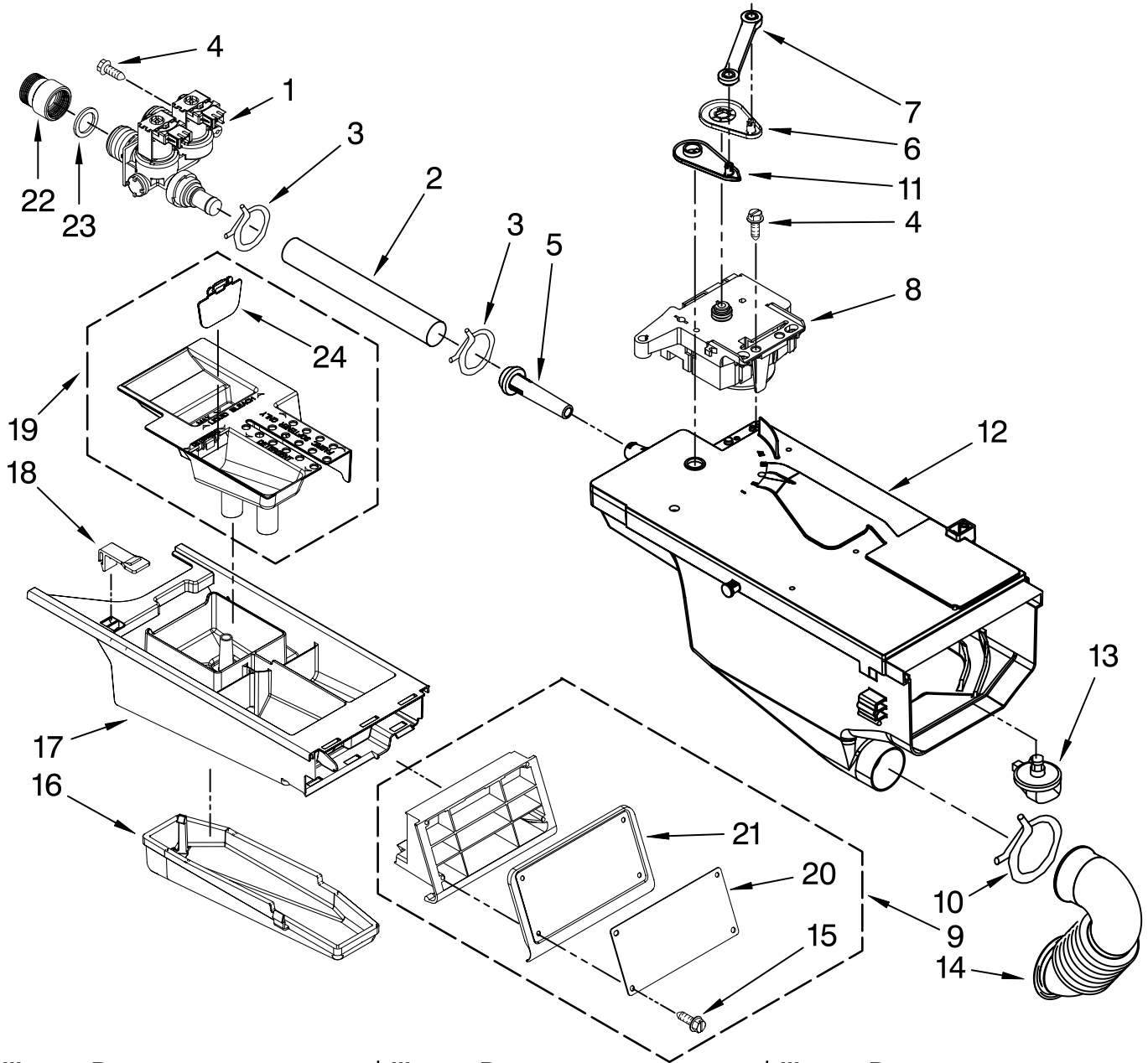
Illus. No.	Part No.	DESCRIPTION	Illus. No.	Part No.	DESCRIPTION	Illus. No.	Part No.	DESCRIPTION
1	W10171128	Meter Case	4	W10133508	Bracket, Service Switch	8	W10145154	Cam – Lock
2	W10247388 W10247389	Sensor Assembly, Coin Optic Black White	5	W10139210	Screw, 8–18 x 5/16	9	W10137448	Cushion, Meter Case
3	W10131838	Switch – Vault & Service Door	6	W10139456	Wire Harness, Sensor Switch	10	3349065	Screw, 5/16–24 x 1
			7	3351136	Service Door Assembly	11	3347825	Plate, Meter Case Mounting (2)
						12	98445	Screw, 10–16 x 3/4

FOR ORDERING INFORMATION REFER TO PARTS PRICE LIST

DISPENSER PARTS

For Model: MAH22PDAGW0

(White)



Illus. No.	Part No.	DESCRIPTION
1	W10184482	Valve, Inlet
2	8540065	Hose, Valve To Dispenser
3	W10096852	Clamp, Hose
4	8540282	Screw
5	8183181	Nozzle, Inlet
6	8540393	Cam, Actuator
7	8540394	Lever, Water Distribution
8	W10182763	Actuator
9	W10137428	Handle Assembly, Drawer

Illus. No.	Part No.	DESCRIPTION
10	W10273032	Clamp, Hose
11	8540395	Connection, Lever
12	W10223702	Dispenser
13	8540053	Nozzle, Distribution
14	8540063	Hose, Dispenser To Tub
15	W10137456	Screw, 8-18 X 1/2
16	8540399	Cover, Detergent Drawer
17	8540402	Drawer, Detergent

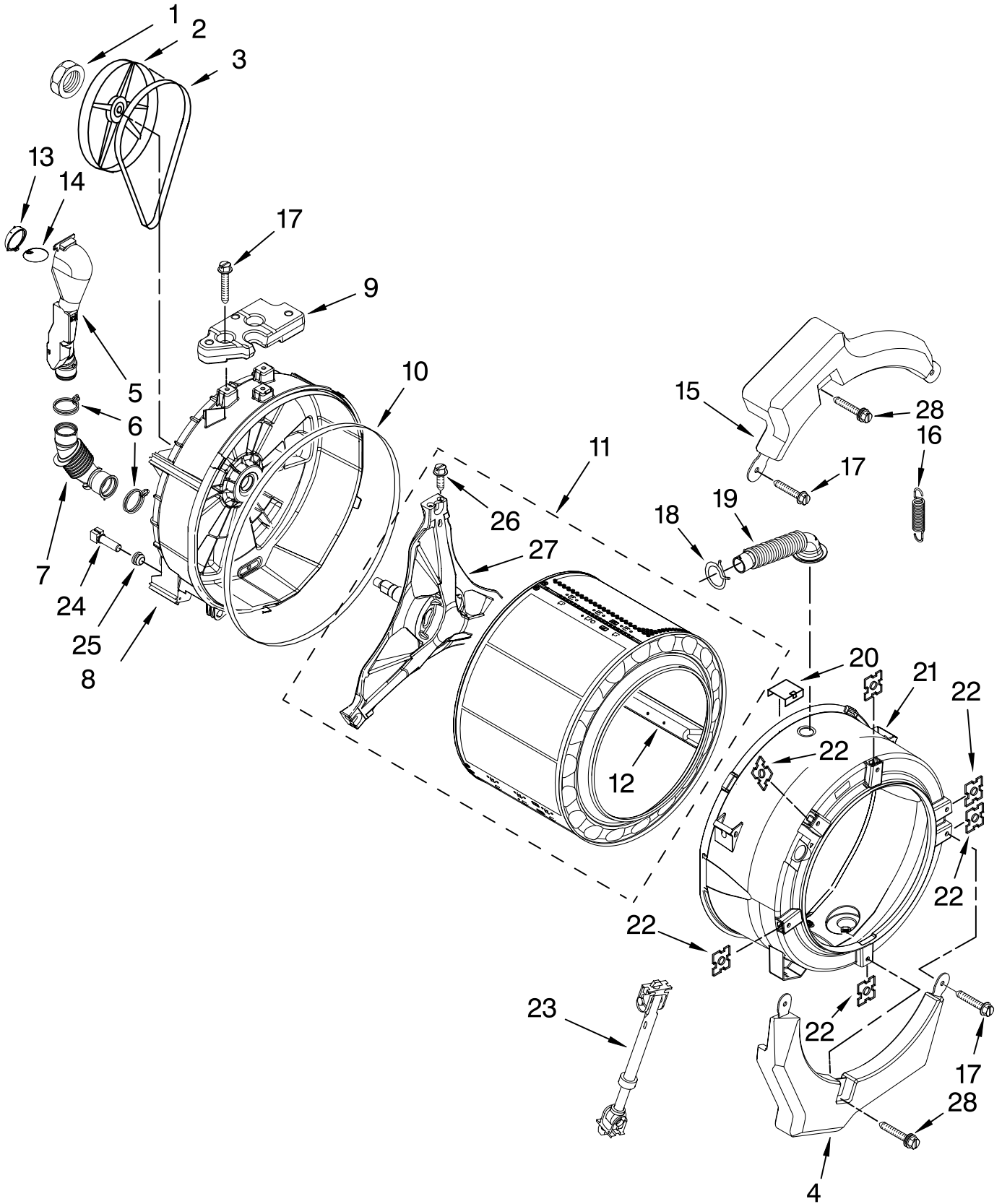
Illus. No.	Part No.	DESCRIPTION
18	W10137402	Hook, Drawer
19	W10277537	Siphon, Bleach/Softener
20	W10137430	Facia / Overlay, Drawer
21	W10137460	Cover, Handle
22	W10196695	Valve, Check (2) (Includes Item 23)
23	W10218846	Seal, Check Valve (2)
24	W10276474	Door, Living Hinge

FOR ORDERING INFORMATION REFER TO PARTS PRICE LIST

TUB AND BASKET PARTS

For Model: MAH22PDAGW0

(White)



FOR ORDERING INFORMATION REFER TO PARTS PRICE LIST

TUB AND BASKET PARTS

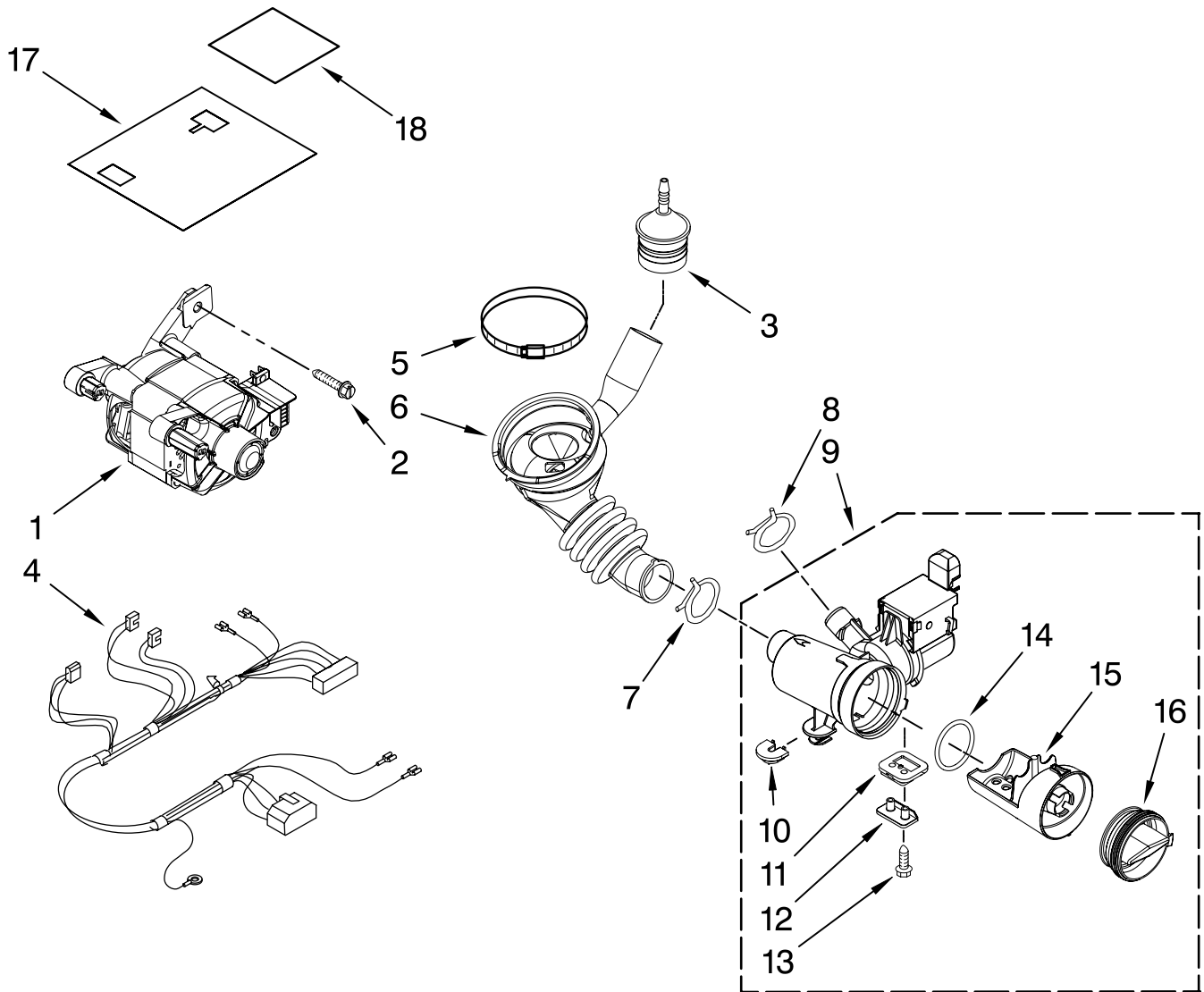
For Model: MAH22PDAGW0
(White)

<u>Illus.</u> <u>No.</u>	<u>Part</u> <u>No.</u>	<u>DESCRIPTION</u>
1	8533999	Nut, Pulley
2	8540088C	Pulley
3	W10260319	Belt, Drive
4	W10151304	Counterweight, Front Lower
5	W10142720	Pipe, Ventilation
6	W10273034	Clamp, Vent Hose
7	8540019	Hose, Exhaust
8	W10293058	Tub, Rear (Includes Items 10 & 22)
9	8540602	Counterweight, Rear
10	8540090	Gasket, Tub
11	W10165321	Basket, Complete
12	W10118982	Baffle, Tub
13	W10142721	Connector – Ventilation
14	W10142722	Flap – Ventilation
15	W10151303	Counterweight, Front Upper
16	W10010360	Spring, Suspension
17	W10094780	Bolt, Counterweight Mtg.
18	W10273033	Clamp, Hose
19	8540015	Hose, Exhaust
20	8540092	Clamp, Tub
21	W10251648	Tub, Front (Includes Items 10 & 22)
22	8540072	Nut, Push-In
23	W10159465	Shock Absorber (3)
24	8540226	Negative Thermistor Control
25	8540766	Seal, Rubber
26	8540382	Screw
27	W10202464	Crosspiece Assembly
28	W10174473	Bolt Assembly, Counterweight Center Hole

FOR ORDERING INFORMATION REFER TO PARTS PRICE LIST

PUMP AND MOTOR PARTS

For Model: MAH22PDAGW0
(White)



Illus. No.	Part No.	DESCRIPTION
1	W10140579	Motor, Drive
2	8540134	Bolt, Motor
3	8540180	Air Trap
4	W10200759	Harness, Motor
5	W10273037	Clamp
6	8540012	Hose, Tub to Pump
7	W10273036	Clamp, Hose
8	356138	Clamp, Drain Hose

Illus. No.	Part No.	DESCRIPTION
9	W10183441	Pump (Complete)
	W10183442	Pump Motor Only (Not Illustrated)
10	W10191886	Foot, Rubber (Slider)
11	W10191880	Foot, Rubber (Lock)
12	W10190649	Cap, Lock Foot
13	W10167905	Screw, 10-16 x 1.00 (2)

Illus. No.	Part No.	DESCRIPTION
14	W10201457	Seal, Filter Cap
15	W10190647	Filter (Includes Items 14 & 16)
16	W10190648	Cap, Filter (Includes Items 14 & 15)
17	W10275847	Shield, Motor
18	2266495	Cover Shield Tray

FOR ORDERING INFORMATION REFER TO PARTS PRICE LIST

OPTIONAL PARTS (NOT INCLUDED)

For Model: MAH22PDAGW0
(White)

Illus. No.	Part No.	DESCRIPTION
-----------------------	---------------------	--------------------

PAINT, TOUCH-UP (1/2oz.)

72017 White

PAINT, PRESSURIZED SPRAY (12 oz.)

350938 Primer, Gray
350930 White

PAINT, BULK (1 qt.)

799344 White (Uncut)

ACCESSORY PARTS

285863 Drain Extension
W10135699 Affresh
Odor Remover