

# WASHER

## Repair Parts List

MODEL NUMBER

MAH6500AWQ

When requesting service or ordering parts, always provide the following information:

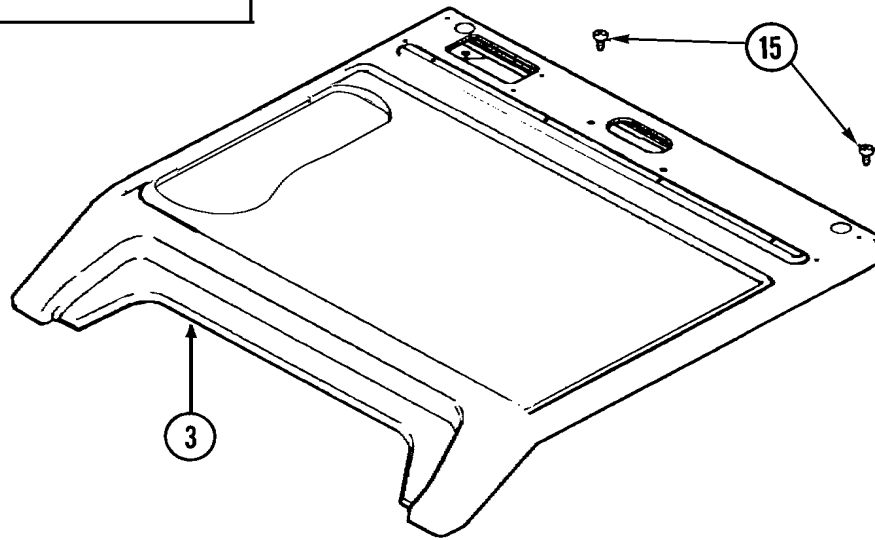
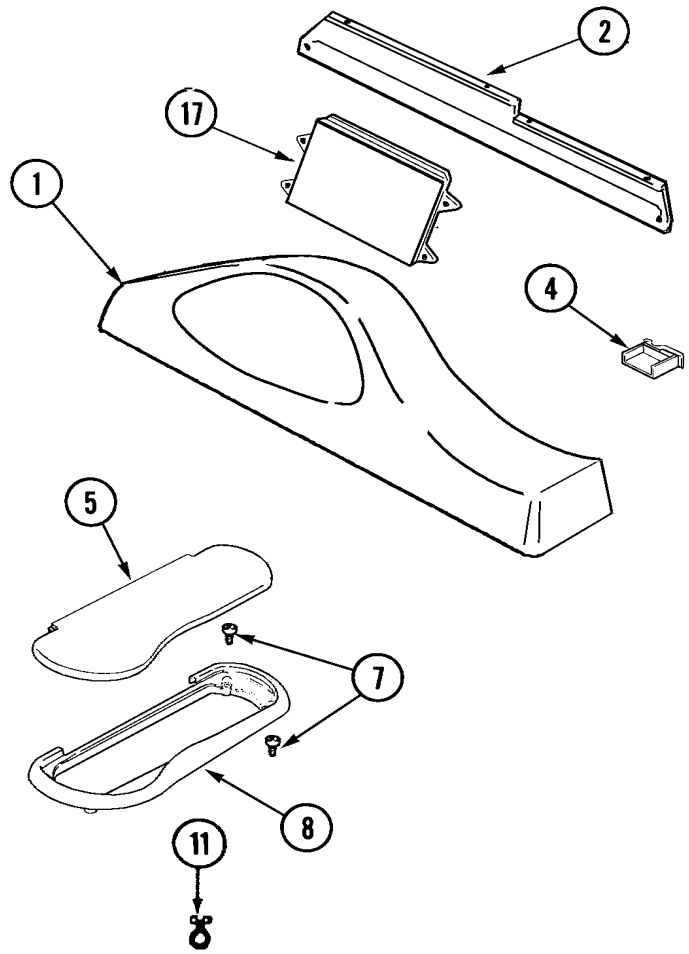
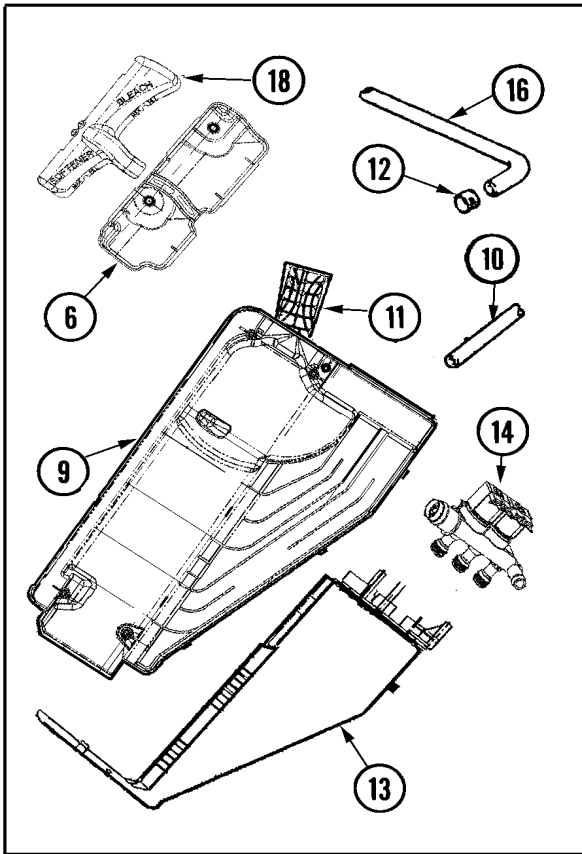
- Product Type
- Part Number
- Model Number
- Part Description

**MAYTAG**®

©2005 Maytag Services

Section: CONTROL PANEL & TOP

Model: MAH6500AWQ



LW11-136

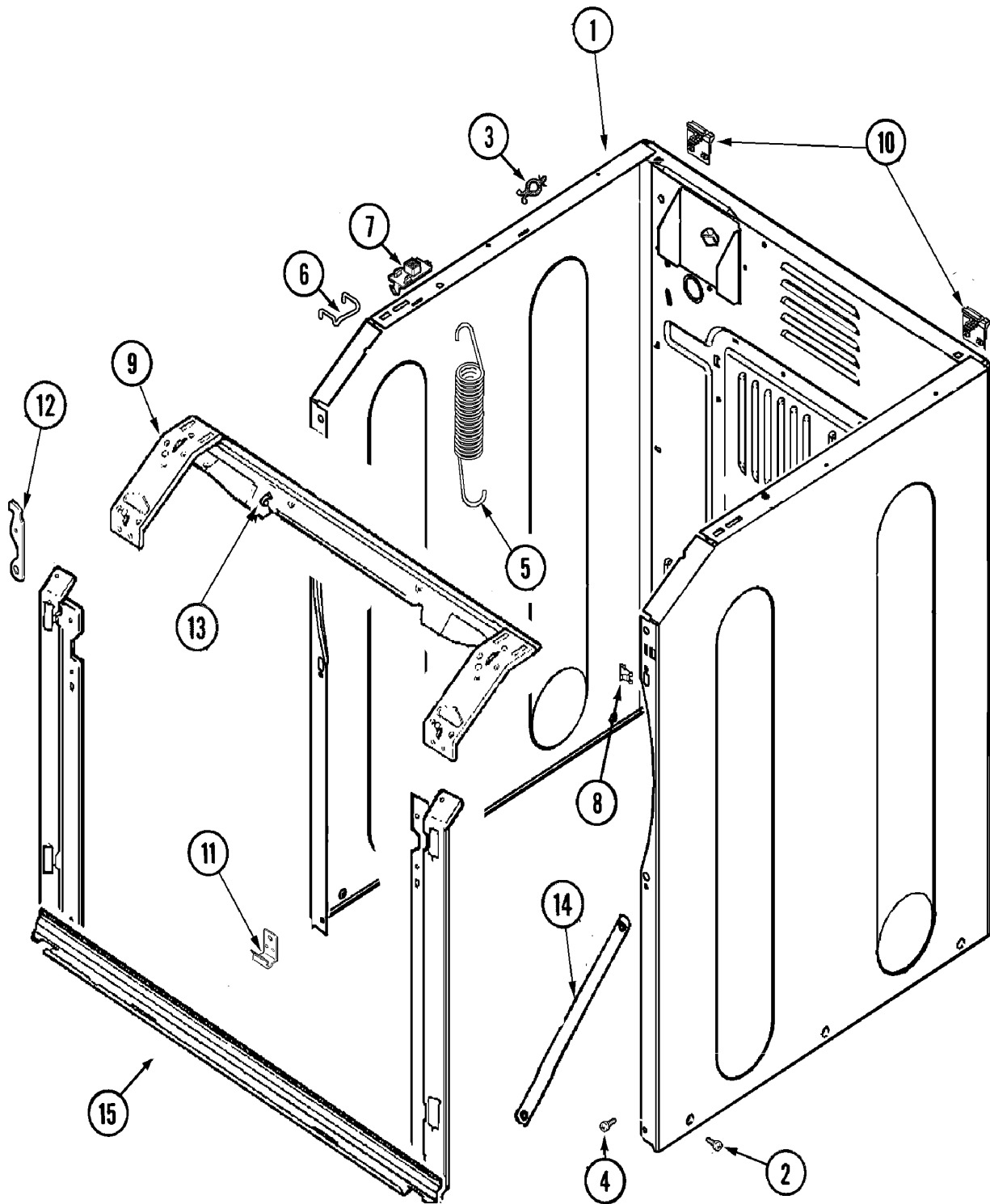
## Section: CONTROL PANEL & TOP

No.	Part No.	Description	Series	Qty
-	22003806	MEDALLION, CONSOLE (WHT)	10	1
1	22003911	CONSOLE W/MEMBRANE SWITCH-BSQ	10	1
-	22003807	MEDALLION, CONSOLE (BSQ)	10	1
1	22004441	LED CONSOLE ASSY-BSQ - AS PACK	37	1
-	Y22002339	SCREW	10	4
-	22002061	SCREW Note: SCREW, CONTROL BOARD	10	4
2	22003581	BACK, CONSOLE PANEL	10	1
3	22004181	COVER, TOP (BSQ-AS PK)	10	1
4	22003323	COVER, CONSOLE PLUG (BSQ)	10	1
5	22003278	LID, DISPENSER (BSQ)	10	1
6	22003848	SIPHON CUP	10	1
7	22003681	SCREW, DISPENSER LID	10	4
8	22003277	BEZEL, DISPENSER (BSQ)	10	1
-	202515	HOSE CLAMP - 1-1/16 INCH	10	2
9	22003844	DISPENSER BOTTOM	10	1
10	22003832	FILL HOSE, DISPENSER	10	1
11	22003321	GRID, DISPENSER	10	1
-	22003833	HOSE, TUB SHOWER	10	1
12	22001984	CLAMP, DRAIN HOSE	10	1
-	205161	CLAMP - 15/16"	10	3
-	22003832	FILL HOSE, DISPENSER	10	1
-	22001640	CLAMP, HOSE	10	1
13	22003845	DISPENSER COVER (FLUME)	10	1
-	12001930	DISPENSER VALVE ASY KIT Note: VALVE SEAL KIT SHOULD BE USED WHEN REPLACING ITEM 6	10	1
14	22003846	DISPENSER VALVE	10	1
15	912365	SCREW	10	1
16	22002551	HOSE, BLEACH	10	1
17	22004447	CONTROL BOARD, AS PACKED SUB	37	1
17	22004447	CONTROL BOARD, AS PACKED SUB	35	1
17	22003927	CONTROL BOARD (AS PACK)	10	1
17	22004257	CONTROL BOARD LED AS PK	24	1
18	22003849	SIPHON CAP	10	1
-	22004082	SEAL INSERTION TOOL	10	1

\*Color Code (-)=Not Shown #=Series, Serial Prefix or Run No., N=Not Available

Section: CABINET-FRONT

Model: MAH6500AWQ



LW12-95

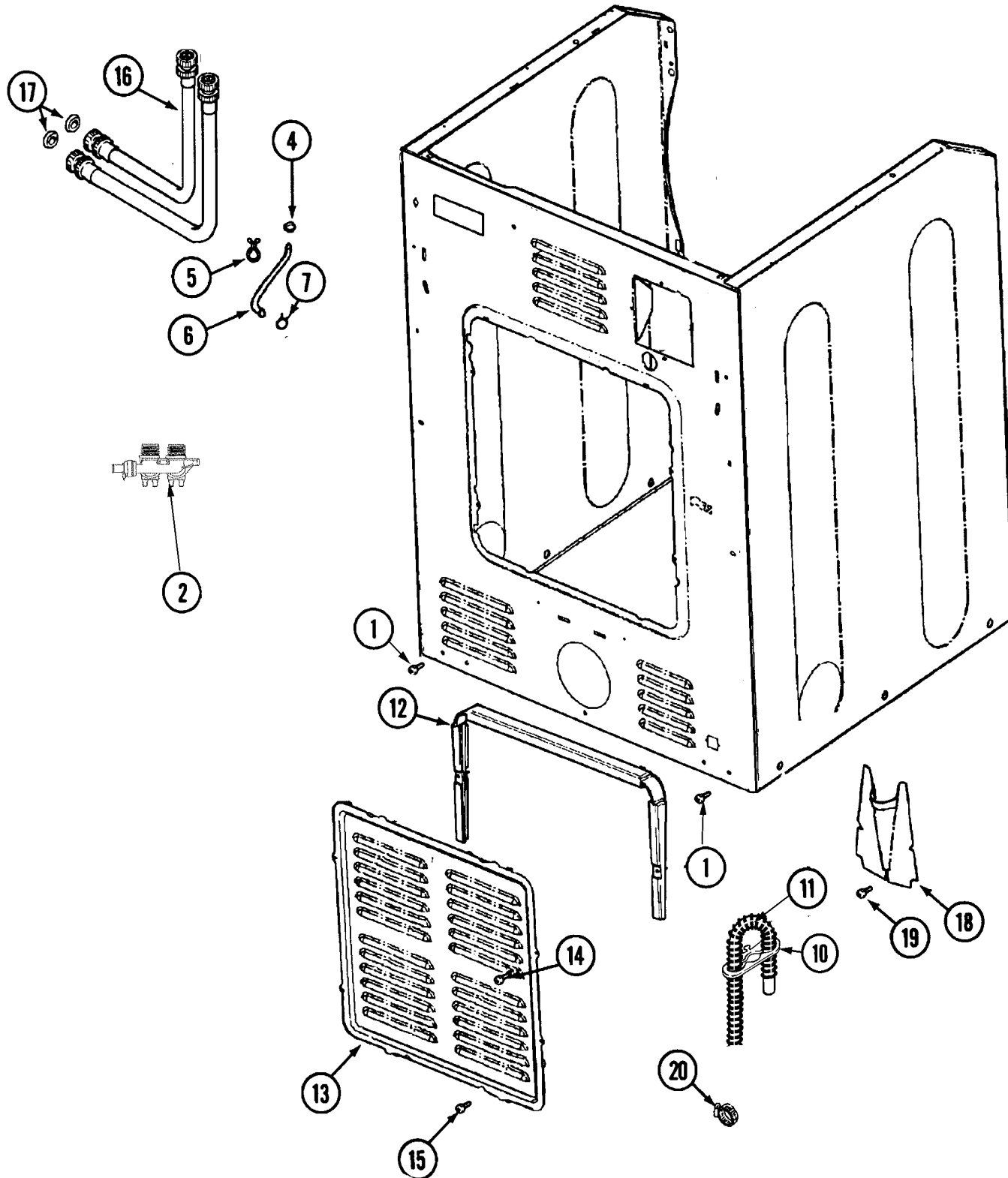
**Section: CABINET-FRONT**

No.	Part No.	Description	Series	Qty
1	N 22003640	CABINET ASSY. (BISQUE AS PK)	10	1
2	213007	SCREW, CABINET	10	6
-	22002013	STOP, SHIPPING	10	2
3	22003298	RETAINER, WIRE	10	4
4	22001995	SCREW	10	2
5	22003254	SPRING, CABINET	10	2
6	22002297	SUPPORT, SPRING	10	2
7	22001997	SPACER, TOP COVER	10	2
8	22002049	CLIP	10	2
9	22003637	BRACE ASSEMBLY, TOP CROSS	69	1
9	22001995	SCREW	10	6
-	22001995	SCREW Note: SCREW, HINGE	10	2
10	22003367	HINGE, PLASTIC	10	2
11	22002239	CLIP, LOWER FRONT PANEL	10	2
-	22001995	SCREW	10	2
12	33002597	HOOK, SECURITY	10	2
13	22002014	CLIP	10	1
-	22001995	SCREW	10	2
14	22002259	BRACE, CROSS	10	2
15	22003652	SHROUD SUPPORT ASSEMBLY	69	1

\*Color Code (-)=Not Shown #=Series, Serial Prefix or Run No., N=Not Available

Section: CABINET-REAR

Model: MAH6500AWQ



LW12-115

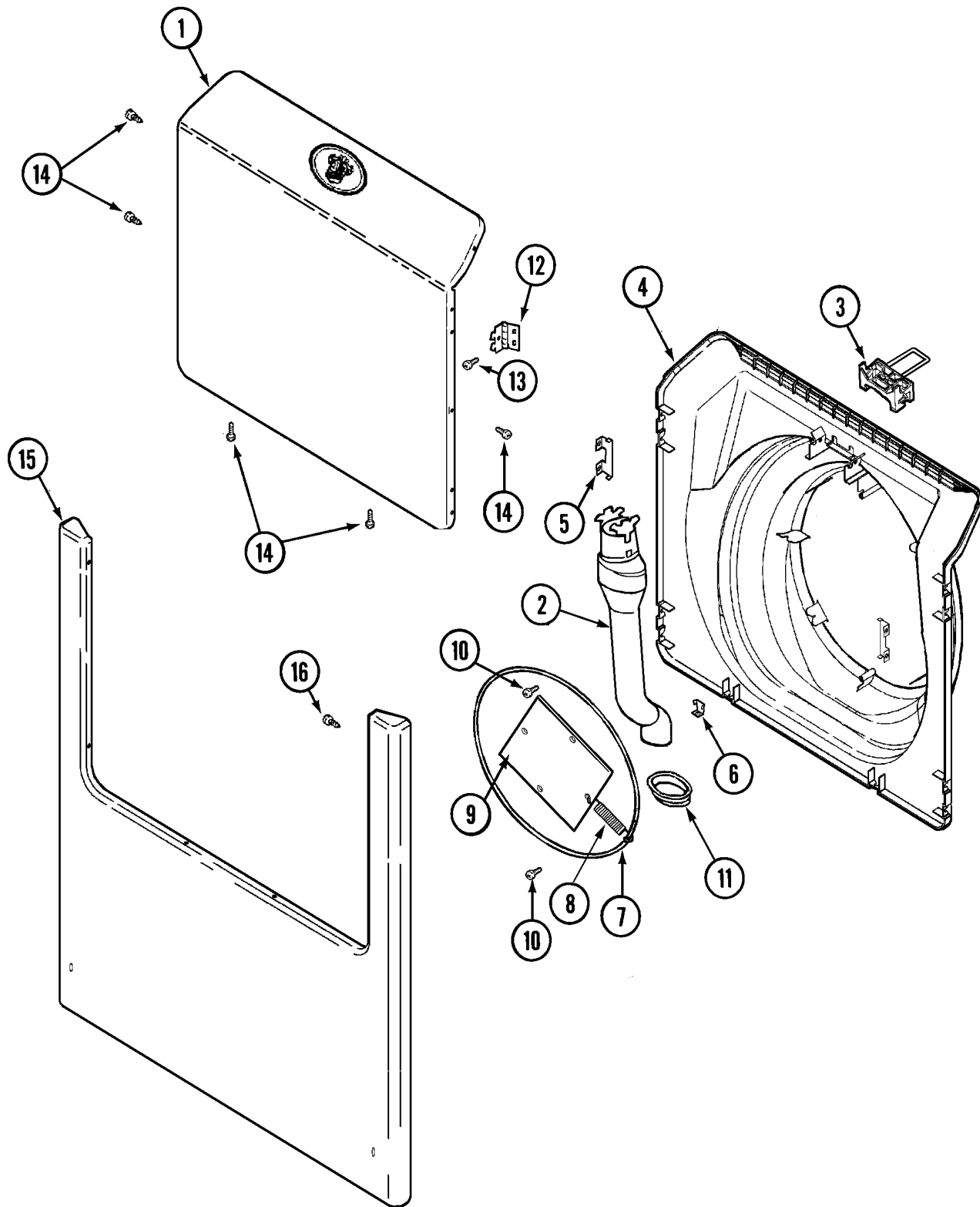
## Section: CABINET-REAR

No.	Part No.	Description	Series	Qty
1	22001995	SCREW Note: FOR CABINET SEE CABINET FRONT	10	1
2	22003834	WATER VALVE W' THERMISTOR	10	1
-	205161	CLAMP - 15/16" Note: (BLEACH HOSE) (FABRIC SOFTNER HOSE) (DETERGENT HOSE)	10	3
3	22002436	SCREW	10	2
4	22002054	CLAMP, STEPLESS	10	1
5	22002027	WIRE TIE, TWIST LOCK	10	2
6	22002083	HOSE, INJECTOR	10	1
-	35-2890	CABLE TIE	10	1
7	216169	CLAMP,HOSE-INJEC.HOSE TO VALVE	10	1
8	33002212	BRACKET, WATER VALVE	10	1
-	22003263	SCREW	10	1
9	22002925	SCREW	10	2
10	22002892	RETAINER, DRAIN HOSE	10	1
11	22003319	HOSE, DRAIN (CORR)(80 1/2")	10	1
-	35-2890	CABLE TIE	10	1
-	22002932	CLIP, DRAIN HOSE	10	1
12	22002022	SPACER, ACCESS PANEL	10	1
12	W10124350	NOT REQUIRED PART OR SEE NOTE	11	1
13	22002092	PANEL, ACCESS	10	1
13	22004355	REAR ACCESS PANEL	11	1
14	22002295	SCREW	10	2
14	22002925	SCREW	11	2
15	22002925	SCREW	10	2
16	35-0874	HOSE, INLET	10	1
16	33-7891	HOSE, 4' INLET	10	1
17	Y013783	GASKET, INLET HOSE	10	4
18	22002704	COVER, DRAIN HOSE	10	1
19	22001995	SCREW	10	1
20	22001984	CLAMP, DRAIN HOSE	10	1

\*Color Code (-)=Not Shown #=Series, Serial Prefix or Run No., N=Not Available

Section: DOOR & FRONT PANEL

Model: MAH6500AWQ



LW18-11



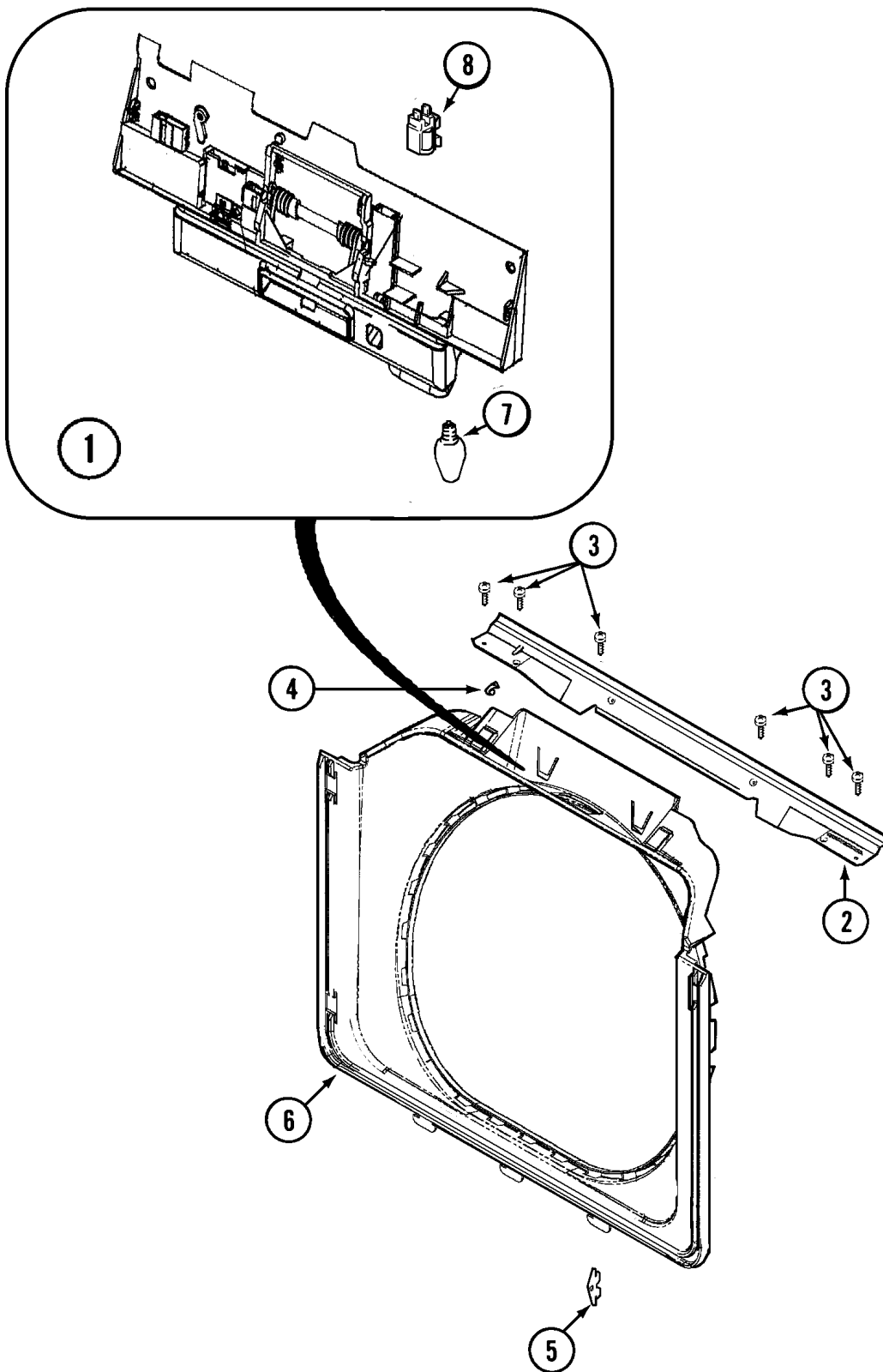
## Section: DOOR & FRONT PANEL

No.	Part No.	Description	Series	Qty
1	22003243	DOOR, OUTER W/MEDALLION (BSQ)	10	1
2	22002990	VENT TUBE ASSEMBLY	10	1
3	22003269	DOOR, LOCK HOOP ASSEMBLY	10	1
4	22003279	DOOR, INNER (BSQ)	10	1
5	22002038	CLIP, DOOR (DOUBLE)	10	4
6	22002039	CLIP, DOOR (SINGLE)	10	2
7	22002104	WIREFRAME Note: REMOVED AT SERIES 47 PER ECN EL43377	10	1
8	22002356	SPRING, PLATE Note: REMOVED AT SERIES 47 PER ECN EL43377	10	4
9	22002094	PLATE Note: REMOVED AT SERIES 47 PER ECN EL43377	10	1
10	22002007	SCREW Note: REMOVED AT SERIES 47 PER ECN EL43377	10	2
11	22003075	GROMMET, VENT TUBE	10	1
-	22002612	COVER, HINGE (BSQ)	10	1
12	22002798	HINGE, DOOR	10	2
13	22002062	SCREW	10	4
14	33002351	SCREW (#8-18 OUTER DOOR (BSQ)	10	1
-	22003512	INSULATION, CABINET	10	1
15	22002663	PANEL, FRONT (BSQ)	10	1
-	22004428	SEAL, EXPORT	10	1
-	22003511	INSULATION	10	2
-	22002239	CLIP, LOWER FRONT PANEL	10	2
-	22001995	SCREW	10	2
16	22002012	SCREW, HINGE Note: SCREW, HINGE	10	4
-	22002244	CLIP, GROUNDING	10	1

\*Color Code (-)=Not Shown #=Series, Serial Prefix or Run No., N=Not Available

Section: DOOR SHROUD & DOOR LATCH ASSEMBLY

Model: MAH6500AWQ



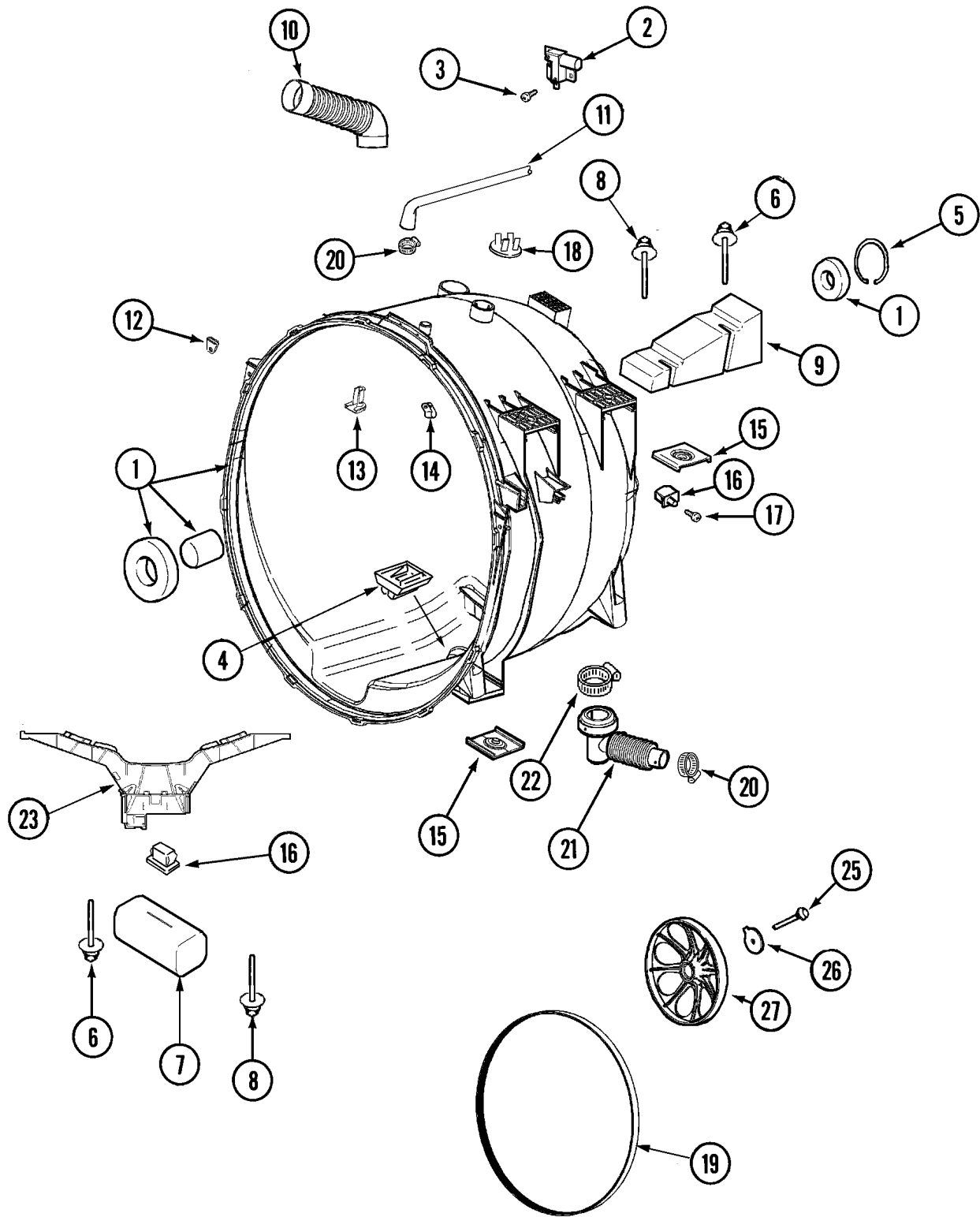
**Section: DOOR SHROUD & DOOR LATCH ASSEMBLY**

No.	Part No.	Description	Series	Qty
1	22003593	ASSY., DOOR LATCH	10	1
2	22002015	SUPPORT, DOOR LOCK	10	1
3	22001995	SCREW	10	6
4	22002014	CLIP	10	1
-	33002349	COVER, HINGE HOLE (BSQ)	75	2
- N	22002665	SHROUD (BSQ)----NA	10	1
7	22002263	LAMP (10 WATT)	10	1
8	22002433	BULB HOLDER ASSEMBLY	10	1

\*Color Code (-)=Not Shown #=Series, Serial Prefix or Run No., N=Not Available

Section: OUTER TUB

Model: MAH6500AWQ



LW13-74

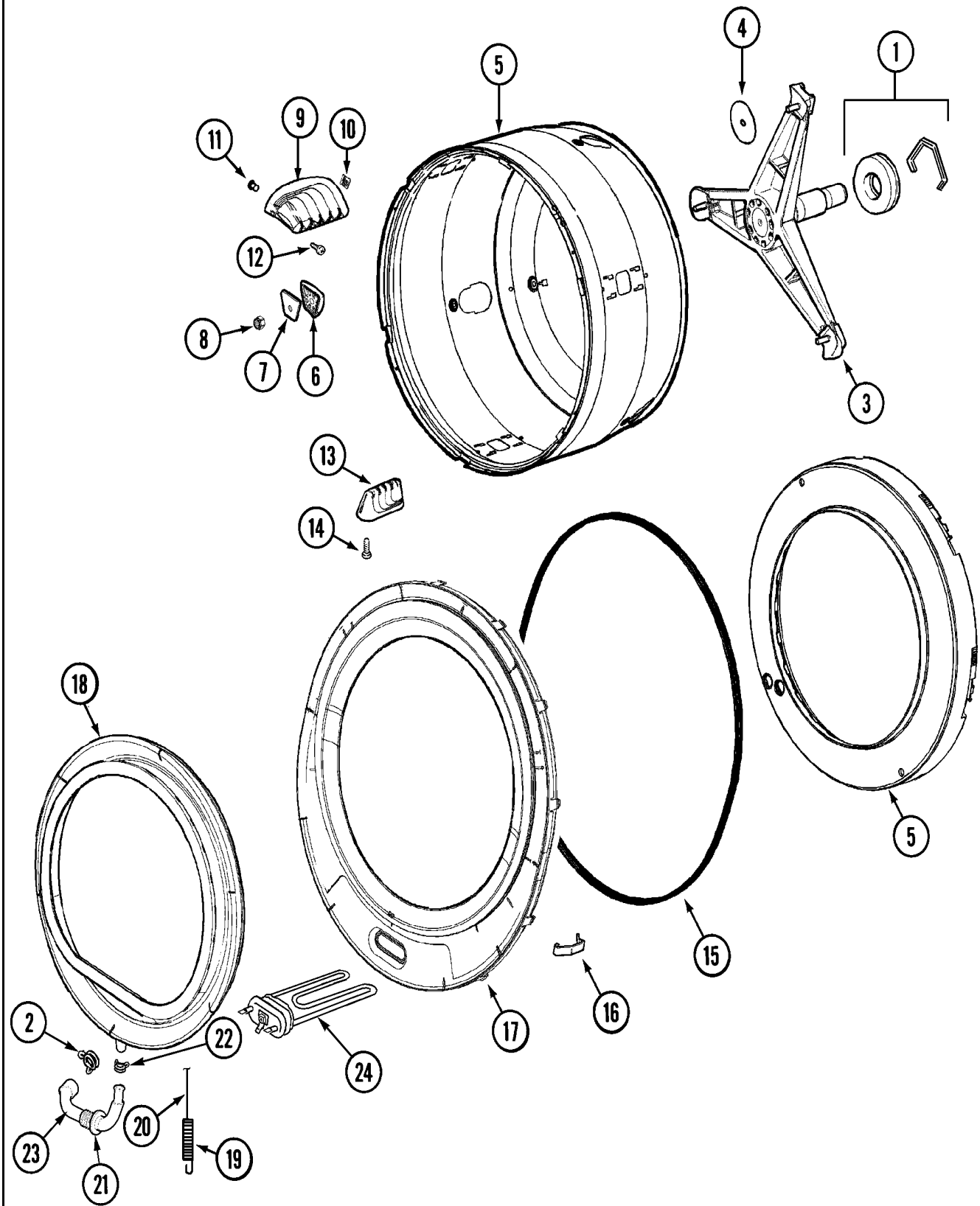
## Section: OUTER TUB

No.	Part No.	Description	Series	Qty
1	22004464	OUTER TUB COVER KIT	38	1
1	22003413	OUTER TUB ASSY.(NC AS PACKED) Note: (SPACER & BEARINGS AVAILABLE ONLY WITH OUTER TUB ASSY.)	10	1
1	22004079	OUTER TUB/TUB COVER KIT	22	1
-	22003327	CLAMP, LCD HARNESS TO COVER	10	3
2	22003302	SWITCH, INTERNAL UNBALANCE	19	1
2	22003302	SWITCH, INTERNAL UNBALANCE	10	1
3	22002061	SCREW	19	1
3	22002300	SCREW	10	2
4	22003710	SUMP CAP W/ LABYRINTH FEATURE	10	1
-	22003263	SCREW Note: SCREW (SUMP CAP)	10	2
5 N	22001981	RING, RETAINING	10	1
6	22003828	PLATED BOLT, DOUBLE SEMS SU	85	1
6	33002973	SCREW, #9-15 X 1.00 HX WS	39	2
7	22003827	CUSHION	85	1
8	22003828	PLATED BOLT, DOUBLE SEMS SU	85	1
8	33002973	SCREW, #9-15 X 1.00 HX WS	39	2
9	22002102	WEIGHT, COUNTER BALANCE	10	1
10	22002083	HOSE, INJECTOR	10	1
-	22003295	CLAMP, HOSE DOUBLE WIRE	10	1
11	22003833	HOSE, TUB SHOWER	10	1
12	22002103	CLIP, U	10	2
13	22002959	DEFLECTOR, WATER	10	1
14	22002006	CLIP Note: CLIP, WIRE HARNESS & OUTER TUB	10	3
15	22002065	NUT, COUNTER BALANCE	10	2
16	22002044	SWITCH, TUB DISPLACEMENT	10	2
16	22002044	SWITCH, TUB DISPLACEMENT	19	1
17	22002061	SCREW	10	1
-	22002061	SCREW Note: SCREW, SADDLE HORN CLIP	10	1
18	22002797	CLIP, HOSE (SADDLE HORN)	10	1
19	22002313	BELT, DRIVE	10	1
20	205161	CLAMP - 15/16"	10	2
21	22003262	HOSE, TUB TO PUMP	10	1
22	22002053	CLAMP, SUMP HOSE	10	1
23	22003826	LOWER BRACKET Note: SERIES 78 AND LATER SEE # 78	10	1
23	22004472	BRACKET, LOWER	38	1
24	22002014	CLIP Note: CLIP, WIRE HARNESS	10	1
25	22002057	SCREW, SPINNER	10	1
26	22003936	WASHER (1 1/4")	17	1
26	22002055	WASHER, SPINNER SHAFT	10	1
27	22001998	PULLEY, SPINNER	10	1

\*Color Code (-)=Not Shown #=Series, Serial Prefix or Run No., N=Not Available

Section: SPINNER ASSEMBLY & OUTER TUB COVER

Model: MAH6500AWQ



LW13-35

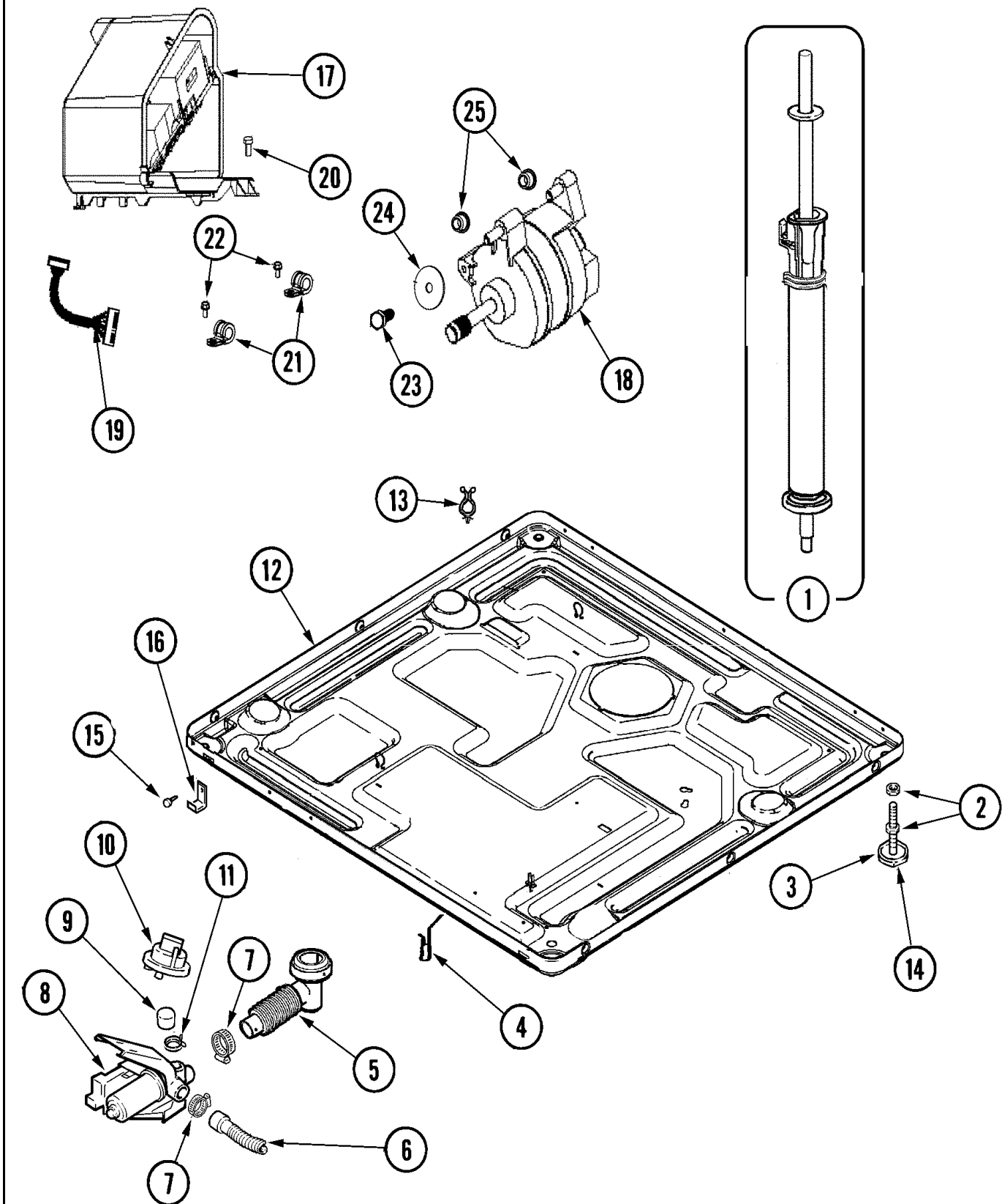
## Section: SPINNER ASSEMBLY & OUTER TUB COVER

No.	Part No.	Description	Series	Qty
1	12001478	LIP SEAL SVC ASSY.	10	1
-	12002022	LIP SEAL KIT	22	1
2	22003073	CLAMP, HOSE DOUBLE WIRE	10	1
-	22004108	O RING	22	1
-	22002123	TUBE, MOLYKOTE	10	1
3	22002897	SUPPORT ASSY., SPINNER	10	1
-	22003925	SPINNER SUPPORT ASSY AS PACK	17	1
-	22004081	SPINNER SUPPORT ASSY AS-PK KIT	22	1
4	22002023	WASHER, PLASTIC	10	3
5	22002115	SPINNER ASSY. (W/BALANCE RING) Note: (BALANCE RING NOT AVAILABLE AS A SEPERATE PART)	10	1
6	22002482	WASHER, PROFILE	10	3
7	22002020	WASHER, SPINNER SUPPORT	10	3
8	22002122	NUT, SPINNER ATTACHMENT	10	3
9	22001985	BAFFLE, DRIP (REAR)	10	3
10	22002009	GROMMET, BAFFLE (REAR)	10	3
11	22001999	GROMMET, BAFFLE (FRT)	10	3
12	22003556	SCREW Note: SCREW, BAFFLE (REAR)	10	6
13	22001986	BAFFLE, DRIP (FRONT)	10	3
14	22002059	SCREW Note: SCREW, BAFFLE (FRONT)	10	6
15	22002077	SEAL, TUB COVER	10	1
16	22002050	CLIP, TUB TO COVER	10	13
-	22003326	CLIP, HEATER HARNESS TO TUB	10	1
-	22004475	TUB COVER ASSEMBLELY W'HEATER	30	1
17	22003414	TUB COVER ASPK (W/HEATER HOLE)	10	1
18	22003070	DOOR BOOT W/DRAIN (GRAY)	10	1
-	22003081	PLUG	10	1
19	22002099	SPRING, TUB	10	1
20	22002327	BOOT CABLE CLAMP	10	1
21	22003074	GUARD, HOSE	10	1
22	22003072	CLAMP, HOSE DOUBLE WIRE	10	1
23	22003071	DOOR BOOT DRAIN HOSE Note: HOSE, DOOR BOOT DRAIN	10	1
24	22003252	HEATER ASSEMBLY	10	1
25	22003311	THERMISTOR, HEATER Note: USE WITH ITEM 24	10	1

\*Color Code (-)=Not Shown #=Series, Serial Prefix or Run No., N=Not Available

Section: BASE, MOTOR & MOTOR CONTROL

Model: MAH6500AWQ



LW14-29



## Section: BASE, MOTOR & MOTOR CONTROL

No.	Part No.	Description	Series	Qty
1	22001988	STRUT ASSY-REAR	10	1
2	Y052740	NUT	10	4
3	22001915	ADJUSTABLE LEG & NUT	10	4
4	22002244	CLIP, GROUNDING	10	1
5	22003262	HOSE, TUB TO PUMP	10	1
6	22003319	HOSE, DRAIN (CORR)(80 1/2")	10	1
7	202515	HOSE CLAMP - 1-1/16 INCH	10	2
8	22003244	PUMP	10	1
8	25001012	PUMP ISOLATOR BRACKET Note: NOT SHOWN ON GRAPHICS	10	1
9	22003268	CAP, RUBBER	10	1
10	22004500	SWITCH, PRESSURE-2 LEVEL	45	1
10	22003250	SWITCH, PRESSURE	10	1
-	N 22003265	BAG, PLASTIC W/DRAWSTRING	10	1
11	22002853	CLAMP, HOSE	10	1
-	212276	SCREW	10	1
12	22003605	BASE WELD ASSEMBLY	10	1
13	22003298	RETAINER, WIRE	10	3
14	210684	FOOT, RUBBER	10	4
15	22001995	SCREW Note: SCREW, PANEL CLIP	10	2
16	22002239	CLIP, LOWER FRONT PANEL	10	2
17	22001995	SCREW	44	2
17	22004046	CONTROL ASSY., MOTOR	10	1
17	22001995	SCREW	42	2
17	22004473	MOTOR CONTROL ASSEMBLY	44	1
17	22001995	SCREW Note: NOT SHOWN ON ART	41	2
17	22004473	MOTOR CONTROL ASSEMBLY	42	1
17	22004473	MOTOR CONTROL ASSEMBLY	41	1
18	22003856	MOTOR, VARIABLE SPEED	10	1
19	22004047	HARNESS, MOTOR/MOTOR CONTROL	10	1
19	2205140	HARNESS, WIRE	41	1
19	Y2205141	HARNESS, WIRE	44	1
20	22002300	SCREW	10	1
21	22004102	P CLIPS	10	2
22	22004047	HARNESS, MOTOR/MOTOR CONTROL	10	2
23	22003686	BOLT, MOTOR	10	1
24	22002320	WASHER, STRUT	10	1
25	22003329	ISOLATOR, MOTOR	10	2

\*Color Code (-)=Not Shown #=Series, Serial Prefix or Run No., N=Not Available

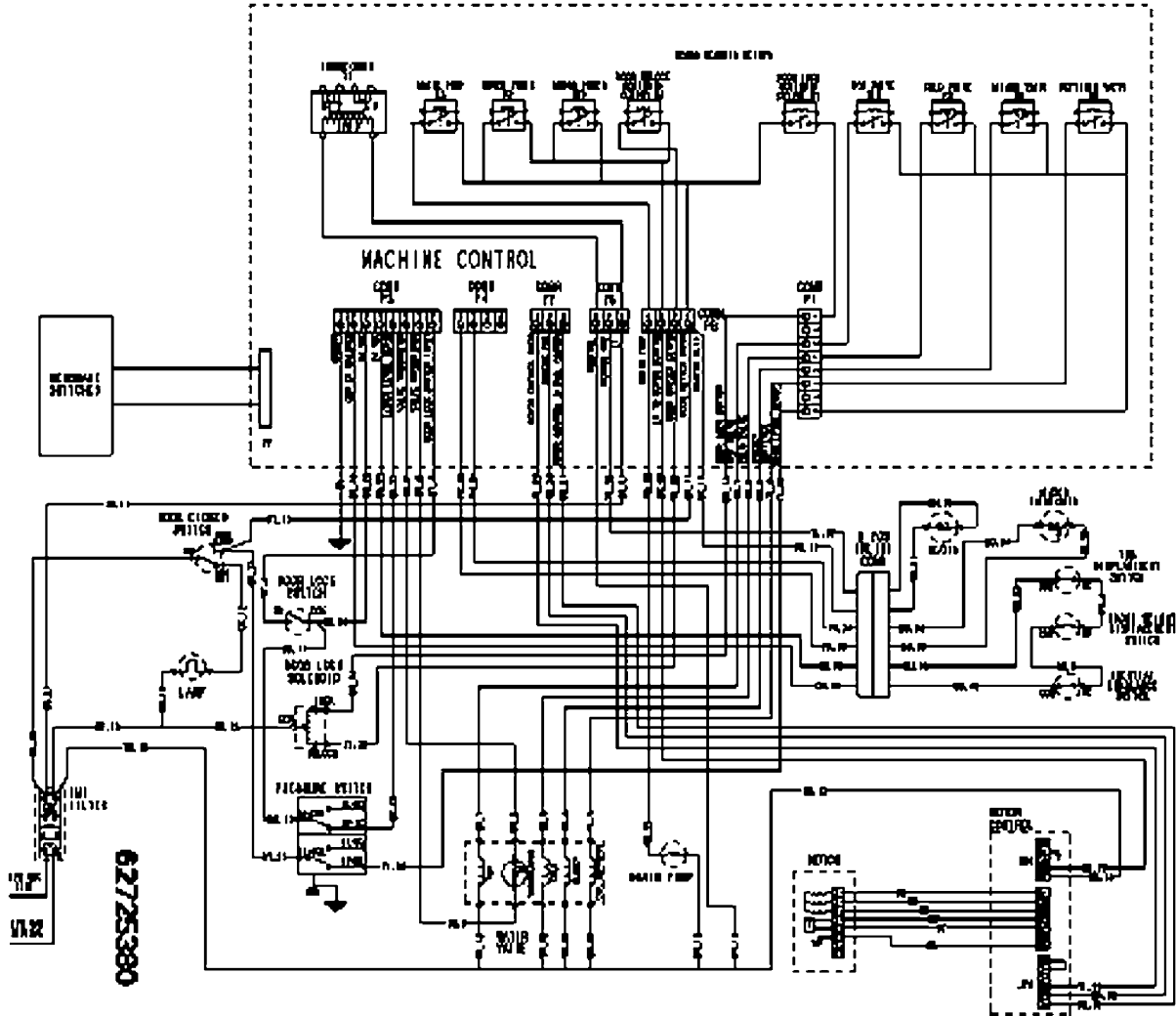
## Section: SUPPLEMENTAL INFORMATION

No.	Part No.	Description	Series	Qty
1	22003894	WIRE HARNESS	10	1
1	22004499	HARNESS, WIRE	46	1
1	22004314	WIRE HARNESS	33	1
1	22004431	HARNESS, MAIN LED Note: HARNESS, MAIN LED SUB TO 2205083 SERIES 21	37	1
1	2205140	HARNESS, WIRE	42	1
2	22003855	HARNESS, MOTOR/MOTOR CONTROL	10	1
2	22004047	HARNESS, MOTOR/MOTOR CONTROL	21	1
3	22002782	PAD, FOAM (SOUND DAMPENER)	10	1
3	22003853	POWER CORD AS WRAPPED	10	1
3	22003858	EMI SUPPRESSION FILTER, 16A	10	1
3	22003830	#8-32X3/8 HEX/WASH HEAD SCREW	10	1
4	211881	GROMMET, CORD	10	1
5	22003895	USE & CARE MANUAL	10	1
5	2201907	MANUAL, USE & CARE	36	1
5	2206687	MANUAL, USE & CARE LED WASHER	43	1
6	22003896	ENERGY GUIDE	10	1
7	N 15002976	WIRING INFORMATION	10	1
8	22002445	LABEL, SAFETY	10	1
10	22002443	LABEL, SAFETY	10	1
11	22003829	HARNESS, UPPER SUB ASSY	19	1
11	22004187	HARNESS, UPPER UNBALANCE	19	1
11	22004433	HARNESS, UPPER SUB	37	1
12	N 20001057	MOVER, APPLIANCE	10	1
12	N 038183	ELECTRICAL TEST CORD	10	1
13	20001069	MULTI-WRENCH, FLAT	10	1
14	20001120	PLIERS, QB PRODUCTS HOSE	10	1

\*Color Code (-)=Not Shown #=Series, Serial Prefix or Run No., N=Not Available

Section: WIRING INFORMATION

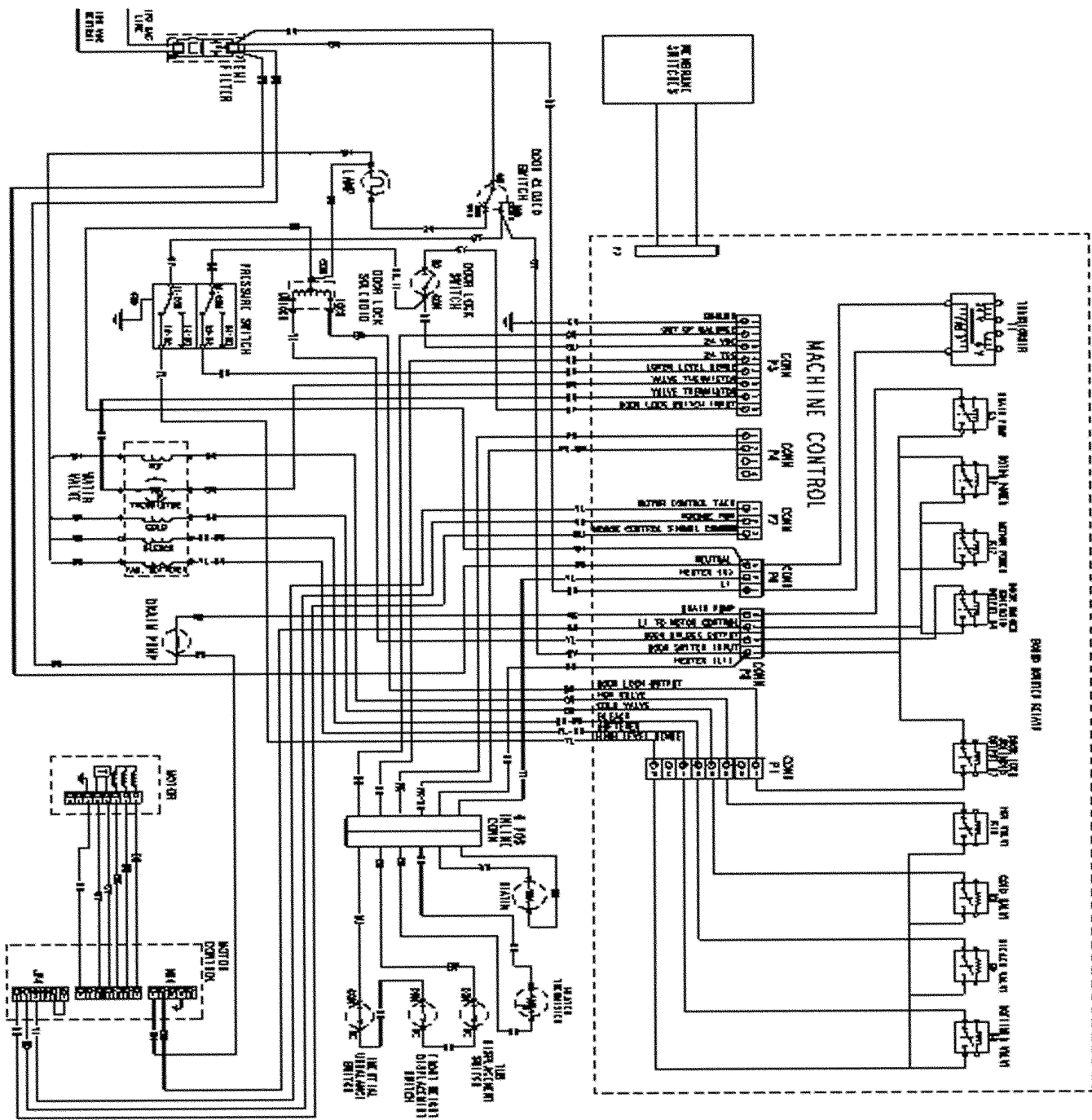
Model: MAH6500AWQ



15002976

Section: WIRING HARNESS

Model: MAH6500AWQ



15003437

**Section: WIRING HARNESS**

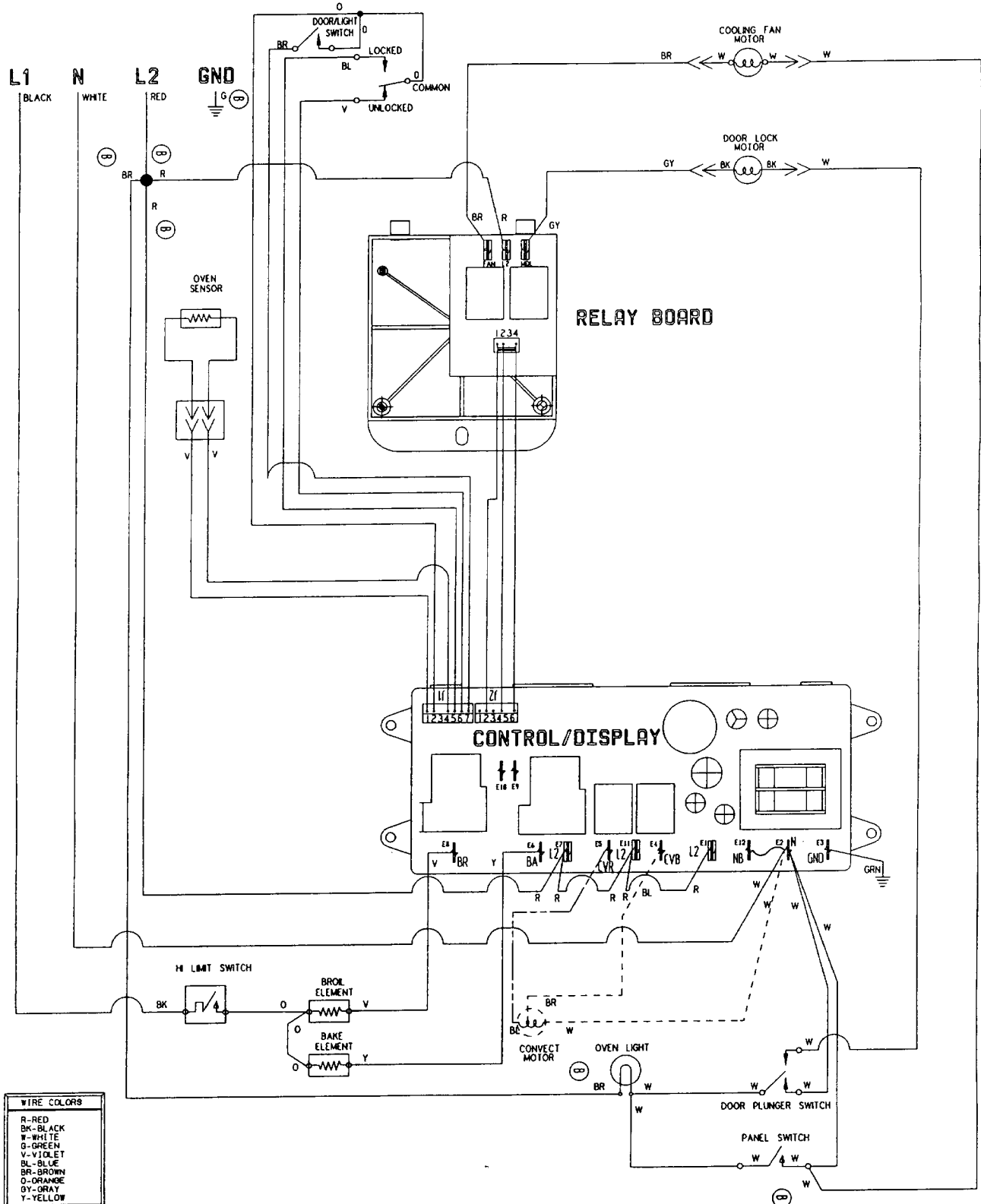
No.	Part No.	Description	Series Qty
1	N 15003437	WIRING INFORMATION	33 1

\*Color Code (-)=Not Shown #=Series, Serial Prefix or Run No., N=Not Available

# Section: WIRING INFORMATION

Model: MAH6500AWQ

NOTES:  
 1. DOTTED LINES REPRESENT OPTIONAL FEATURES.  
 2. WIRE WITH DOT PATTERN IS REMOVED FOR 1 SPEED CONVECT.



15001755

