

WASHER

Repair Parts List

MODEL NUMBER
MFR60PDCTS

When requesting service or ordering parts, always provide the following information:

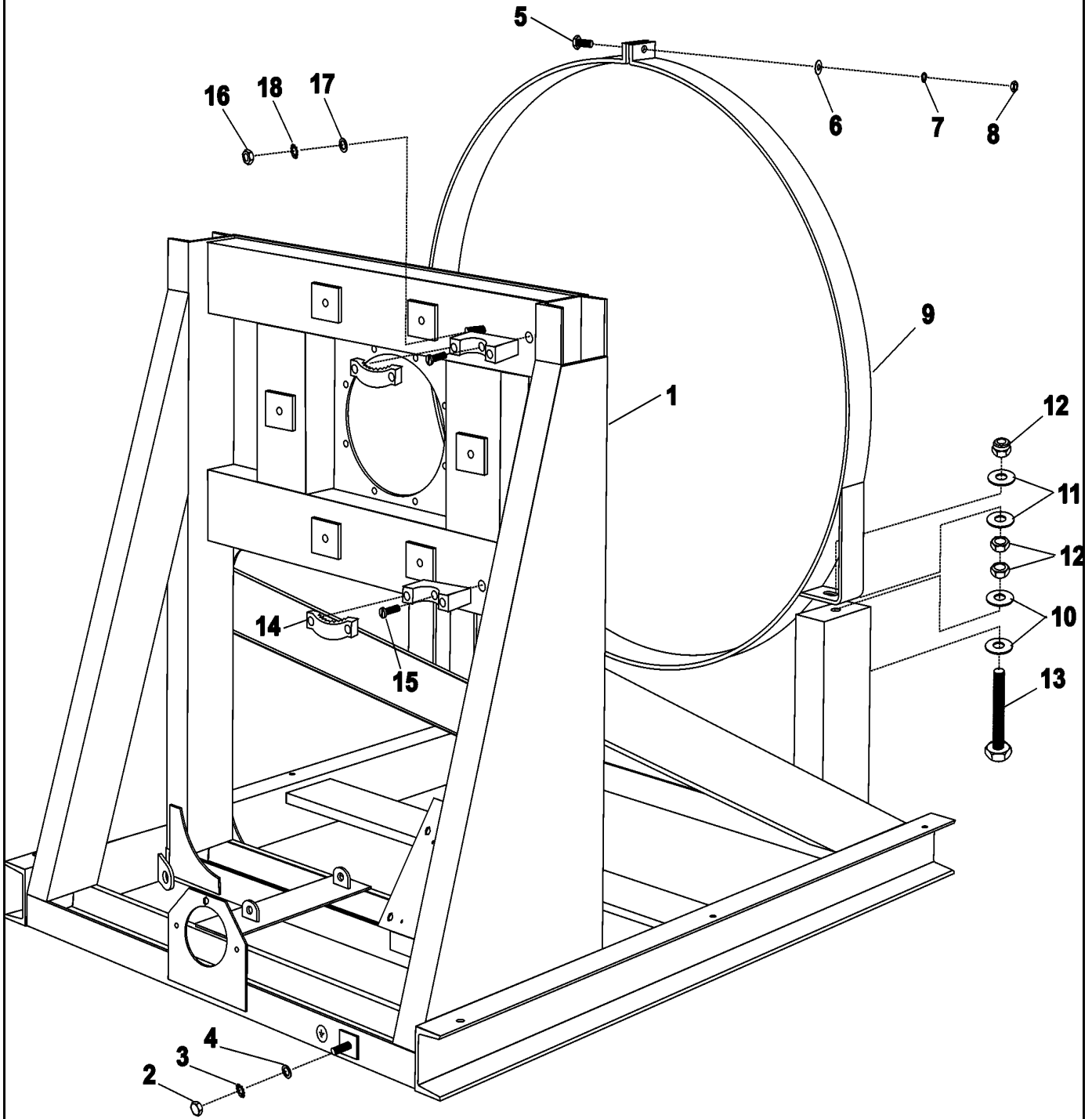
- Product Type
- Part Number
- Model Number
- Part Description

MAYTAG®

©2005 Maytag Services

Section: BASE FRAME

Model: MFR60PDCTS



22-May-05
516 540

CW19-47

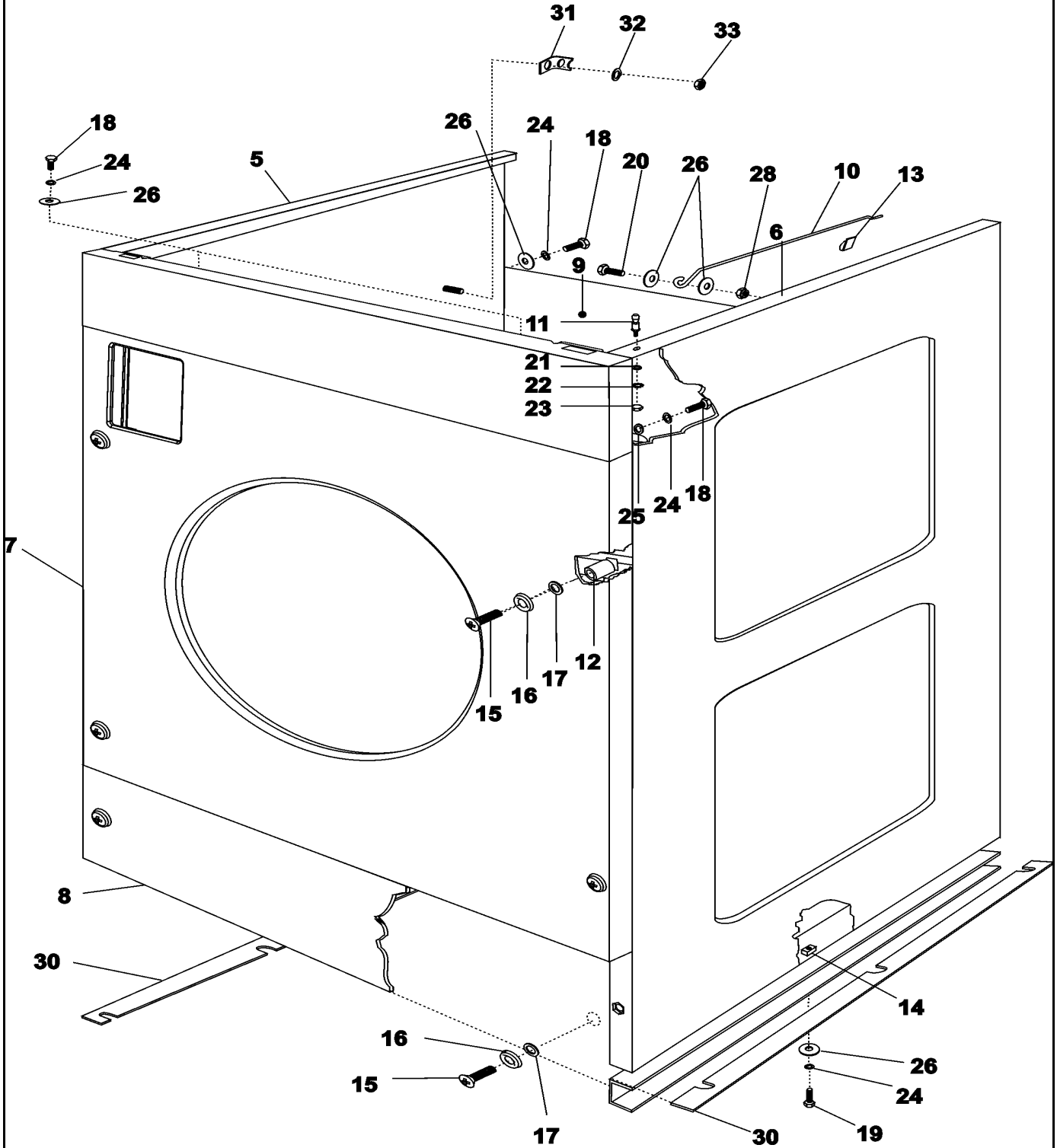
Section: BASE FRAME

No.	Part No.	Description	Series	Qty
1	23004050	FRAME WELDED	10	1
2	23002487	NUT (M8)	10	1
3	23002427	WASHER, LOCK (M8)	10	1
4	23004221	WASHER 8	10	1
5	23004222	BOLT M8 X 70	10	1
6	23003769	WASHER M8	10	2
7	23002439	WASHER, SPRING LOCK (8)	10	1
8	23001607	NUT (M8)	10	1
9	23004223	TUB BAND	10	1
10	23002657	WASHER (13)	10	4
11	23004146	WASHER 12	10	4
12	23003676	NUT (M12)	10	6
13	23002846	SCREW (M12X70)	10	2
14	23002428	CLIP, CABLE	10	2
15	23001609	SCREW (M4X12)	10	2
16	23002280	NUT (M6)	10	1
17	23003767	WASHER BRASS	10	1
18	23002425	WASHER, LOCK	10	1

*Color Code (-)=Not Shown #=Series, Serial Prefix or Run No., N=Not Available

Section: CABINET (PD)

Model: MFR60PDCTS



19-Jun-05
504 649A

CW12-54

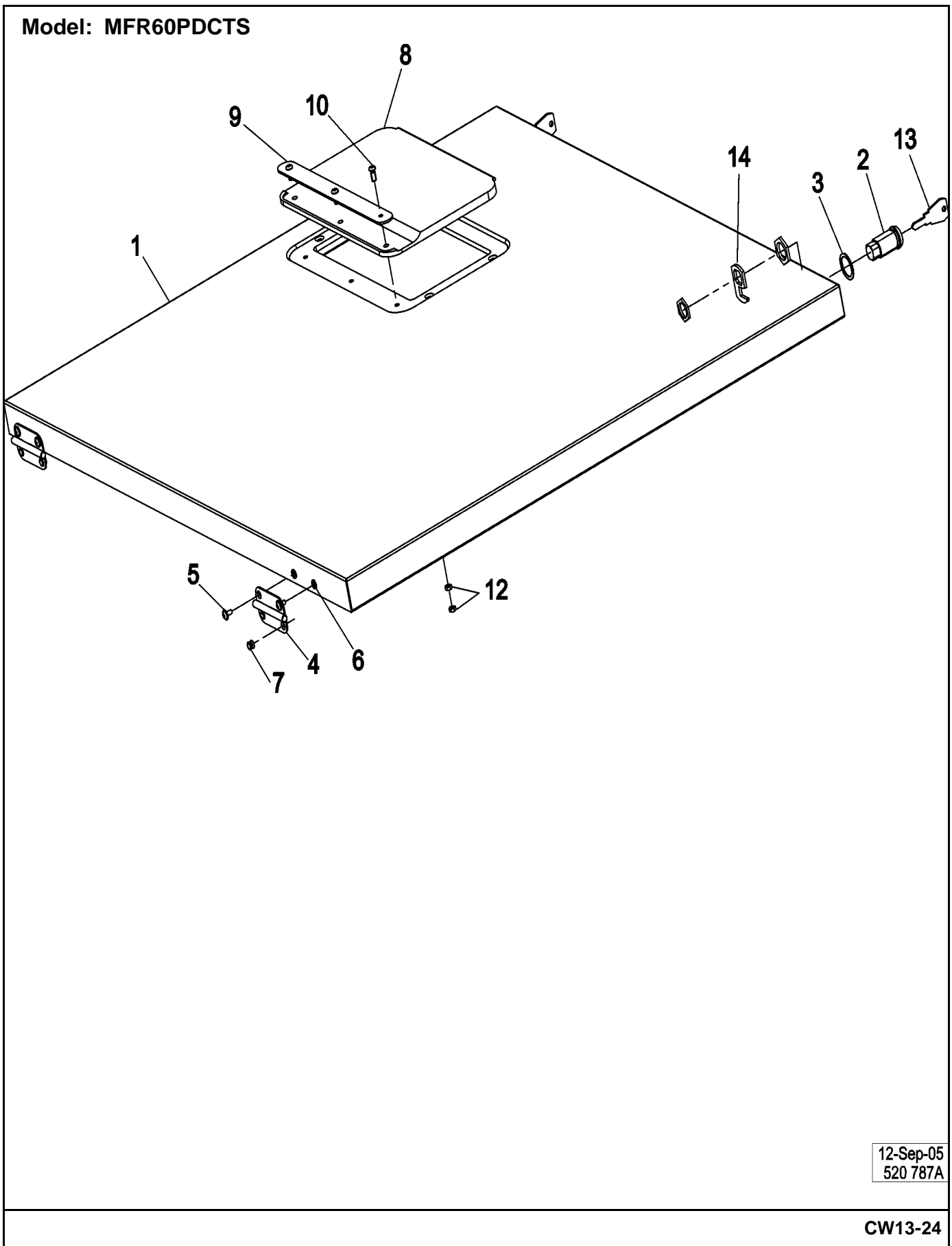
Section: CABINET (PD)

No.	Part No.	Description	Series	Qty
5	23004224	PANEL, SIDE LH MFR60	10	1
6	23004225	PANEL, SIDE RH MFR60	10	1
7	23004226	PANEL, FRONT PD MFR60	10	1
8	23004228	PANEL, SERVICE	10	1
9	23004229	PANEL, BACK	10	1
10	23001330	SUPPORT ROD, TOP PANEL	10	1
11	23001332	PIN, SRV	10	2
12	23002860	TUBE, DISTANCE	10	4
13	23002454	HOOK	10	1
14	23004230	NUT, RAPID M6	10	3
15	23002456	SCREW (M6 X 50)	10	6
16	23002457	WASHER	10	6
17	23002458	WASHER (FIBER)	10	6
18	23002461	SCREW (M6 X16)	10	21
19	23002861	SCREW (M6X25) LU	10	6
20	23002463	SCREW (M6 X 30)	10	1
21	23002862	WASHER (5,3)	10	1
22	23002836	WASHER (5)	10	1
23	23003773	NUT M6	10	1
24	23002440	WASHER, SPRING LOCK (6)	10	27
25	23003778	WASHER 12	10	4
26	23002469	WASHER	10	1
28	23002471	NUT	10	1
30	23004231	SHIM	10	4
31	23004232	BRACKET, CABLE	10	2
32	23001573	WASHER (4.3)	10	2
33	23002652	NUT (QTY OF 4 = 1 PIECE)	10	2

*Color Code (-)=Not Shown #=Series, Serial Prefix or Run No., N=Not Available

Section: TOP COVER ASSEMBLY

Model: MFR60PDCTS



12-Sep-05
520 787A

CW13-24

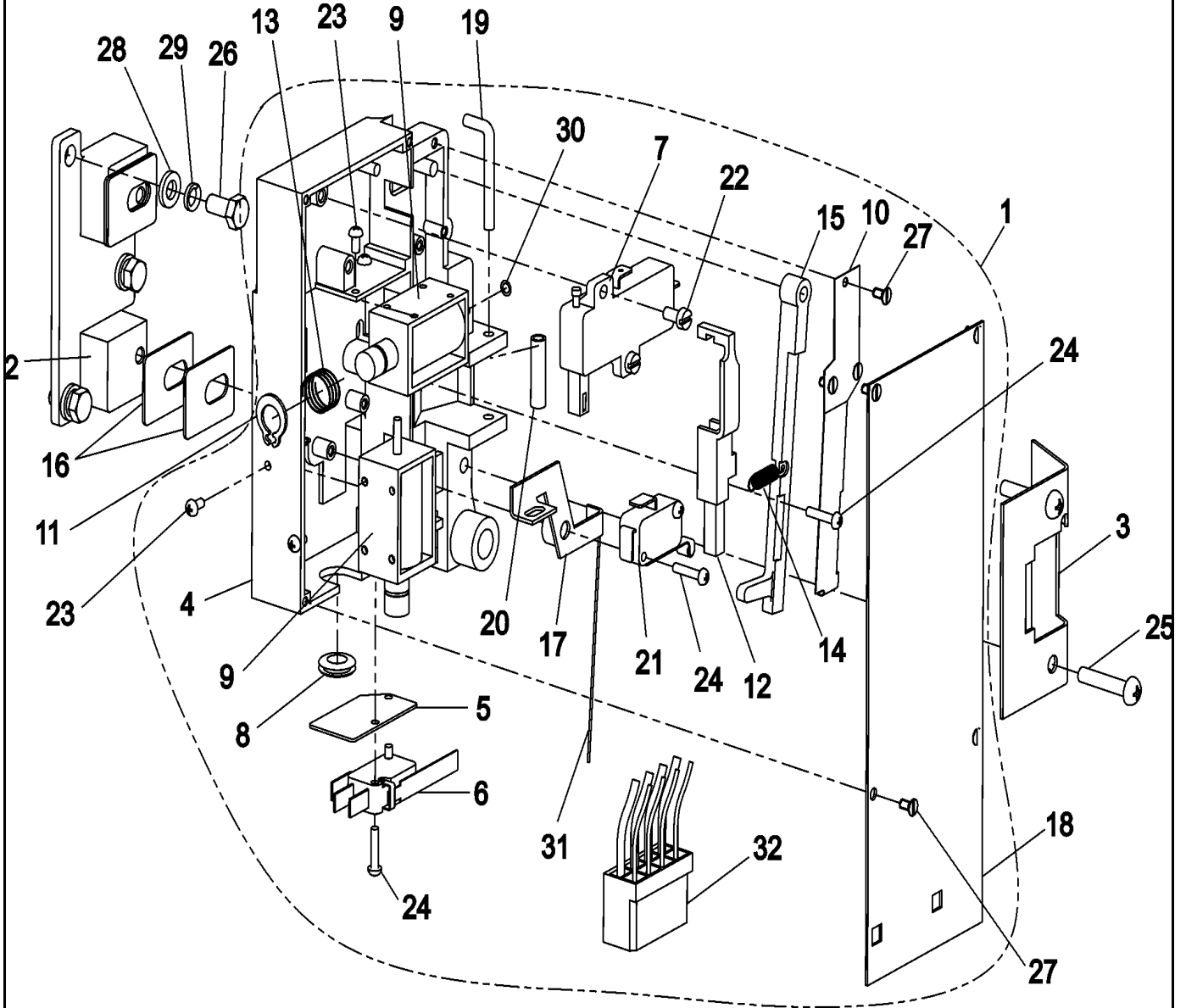
Section: TOP COVER ASSEMBLY

No.	Part No.	Description	Series	Qty
1	23004233	TOP COVER MFR60	10	1
2	23001006	LOCK, TOP PANEL	10	2
3	23001007	WASHER, FIBER	10	2
4	23004103	HINGE	10	2
5	23004104	BOLT M4 X 8	10	4
6	23004093	RIVETING BLIND NUT M4	10	4
7	23004105	RIVET 4X6,3	10	4
8	23001003	RUBBER COVER, SOAP BOX	10	1
9	23003781	LACTH, SOAP HOPPER COVER	10	1
10	23001012	SCREW (M4 X 12 STNLS STEEL)	10	3
12	23002652	NUT (QTY OF 4 = 1 PIECE)	10	6
13	23002673	KEY-TOP PANEL (25001)	10	2
14	23001009	LOCK HOOK (SHORT)	10	2

*Color Code (-)=Not Shown #=Series, Serial Prefix or Run No., N=Not Available

Section: DOOR LOCK ASSEMBLY

Model: MFR60PDCTS



21-Feb-05
521 450

CW10-78

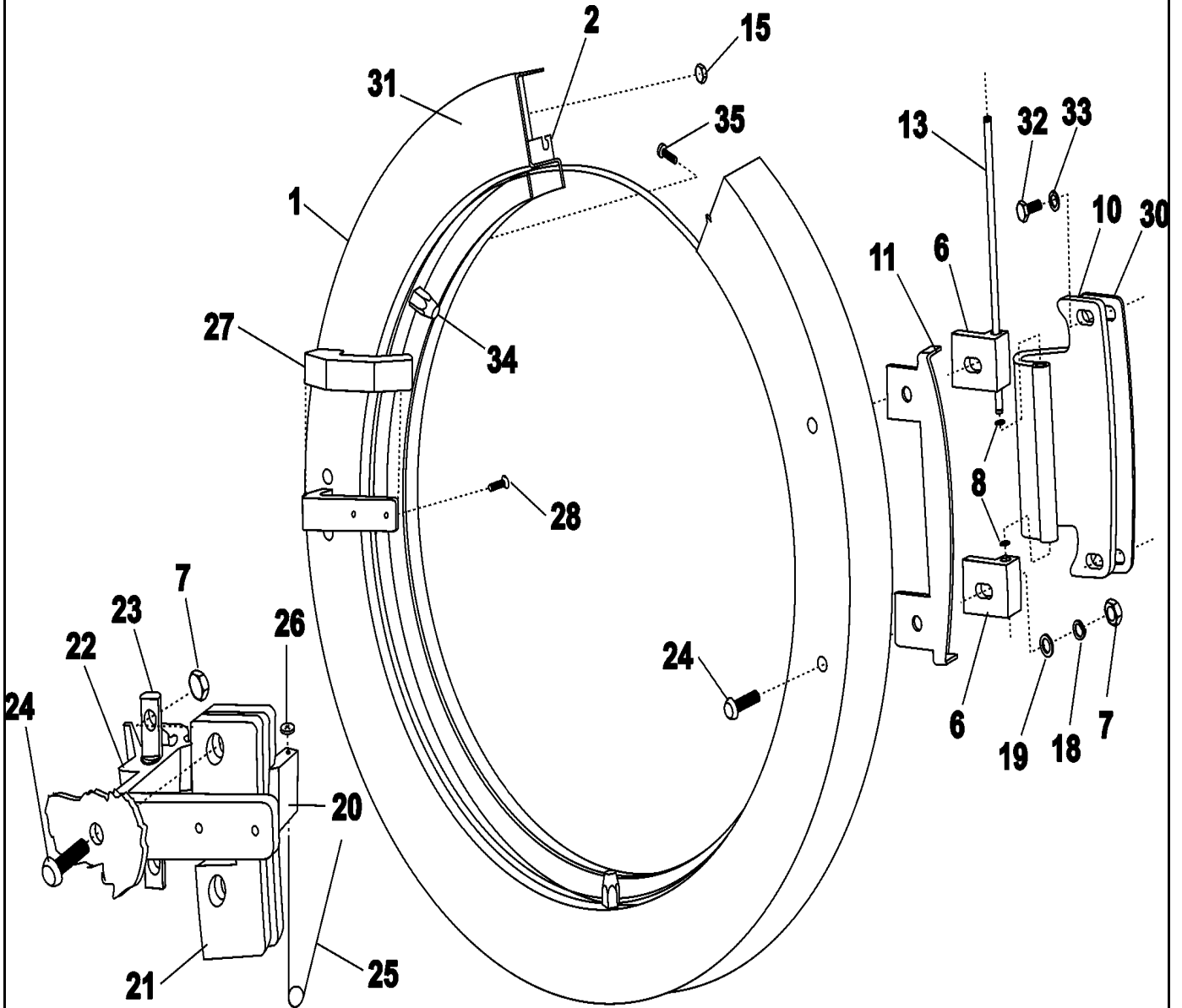
Section: DOOR LOCK ASSEMBLY

No.	Part No.	Description	Series	Qty
1	Y23002897	LOCK, DOOR (COMPLETE)	10	1
2	23001156	SPACER, LOCK	10	1
3	23004234	COVER, LOCK	10	1
4	Y23002898	GROUND, PLATE LOCK	10	1
5	23003863	PLATE, MICROSWITCH	10	1
6	23001145	MICROSWITCH, LONG LEVER	10	1
7	23001135	BIMETAL, ACTUATOR (230V)	10	1
8	23002479	PASSAGE, CABLE	10	1
9	23001146	COIL (240V)	10	2
10	23001149	LEAF SPRING, LATCH BAR	10	1
11	23001137	RING, RETAINING (G10)	10	1
12	23001140	BAR, LOCKING	10	1
13	23002903	SPRING, LOCKING PART	10	1
14	23002900	SPRING, LOCKING PART	10	1
15	23002899	HANDLE, LOCKING PART	10	1
16	23001368	SHIM, HINGE BASE	10	4
17	N 23002902	LEVEL, OPENING	10	1
18	23001130	PLATE, COVER (STNLS STEEL)	10	1
19	23001142	RETAINER, LOCK TUBE (DIA.4X45)	10	1
20	23001143	LOCK TUBE (DIA. 4X23.5 STNLS)	10	1
21	23002337	MICROSWITCH W/ ROLLER ARM	10	1
22	23003114	SCREW (M4X8) LU	10	2
23	23002869	SCREW (M3X6)	10	4
24	23003115	SCREW (M3X14)	10	5
25	23003784	BOLT M5X25 STS STL	10	2
26	23002422	SCREW (M6 X 12)	10	3
27	23003113	SCREW (M3X6)	10	7
28	23002424	WASHER	10	3
29	23002130	WASHER (6)	10	3
30	23001136	WASHER (DIA. 5.1 X 3.3 X 0.1)	10	2
31	23002901	CORD, OPENING	10	1
32	23002905	WIRING, DOOR LOCK	10	1

*Color Code (-)=Not Shown #=Series, Serial Prefix or Run No., N=Not Available

Section: DOOR

Model: MFR60PDCTS



05-May-05
504 658A

CW10-79

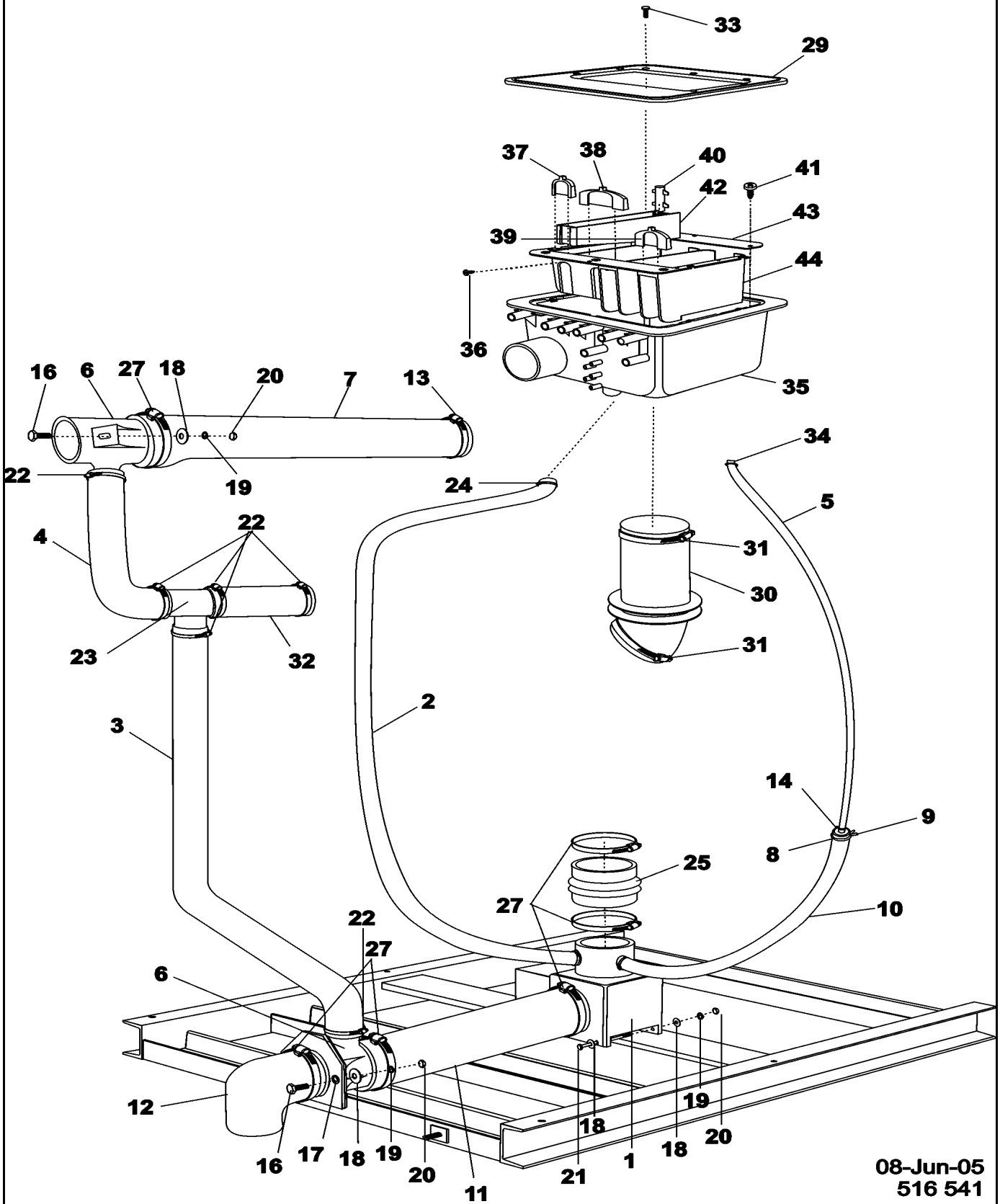
Section: DOOR

No.	Part No.	Description	Series	Qty
1	23004236	DOOR STICKED	10	1
2	23003413	GASKET, DOOR	10	1
6	23003545	BLOCS, HINGE LU	10	2
7	23002280	NUT (M6)	10	4
8	23002727	WASHER (8) LU	10	6
10	23004235	HINGE, DOOR	10	1
11	23004110	HINGE BLOOK WASHER	10	1
13	23004112	DOOR PIN	10	1
15 N	23002392	NUT (M6)	10	6
18	23002130	WASHER (6)	10	4
19	23002424	WASHER	10	2
20	23001370	HANDLE, LEVER PLATE	10	1
21	23003420	SPACER	10	1
22	23003979	HANDLE RAIL	10	1
23	23001168	SHAFT, LEVER	10	1
24	23002937	SCREW (M6X26)	10	4
25	23001169	SPRING, HANDLE LEVER	10	1
26	23002499	WASHER	10	2
27	23004239	HANDLE, DOOR	10	1
28	23004113	BOLT M4 X 12	10	2
30	23004237	DOOR HINGE SHIM	10	4
31	23004240	DOOR REINFORCEMENT	10	1
32	23003419	SCREW M8X25 DIN 933 LU	10	4
33	23001608	WASHER (M8) LU	10	4
34	23004238	NUT M4	10	3
35	23003811	SCREW	10	3

*Color Code (-)=Not Shown #=Series, Serial Prefix or Run No., N=Not Available

Section: SOAP BOX, DRAIN & HOSE ASSEMBLY

Model: MFR60PDCTS



08-Jun-05
516 541

CW16-31

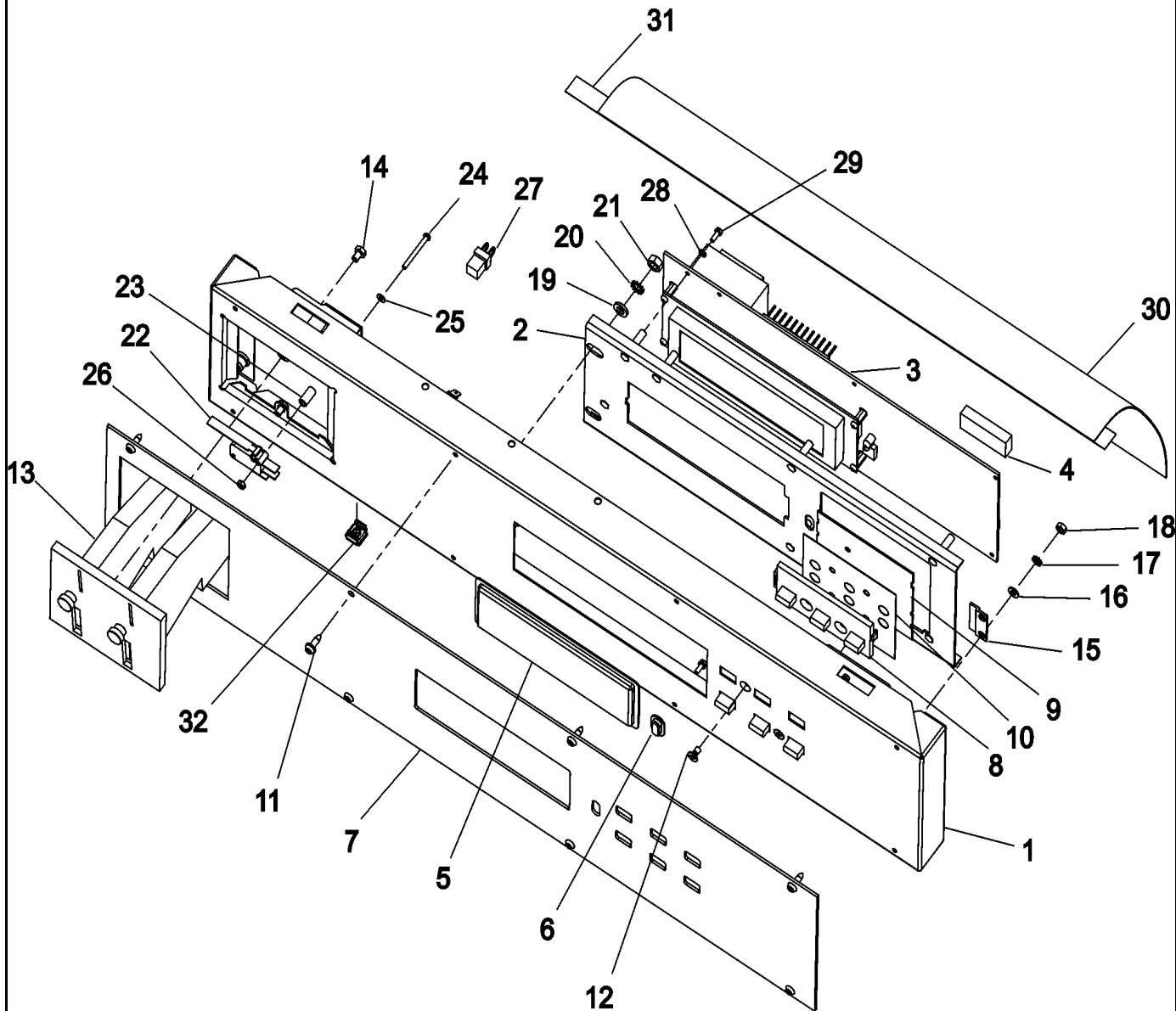
Section: SOAP BOX, DRAIN & HOSE ASSEMBLY

No.	Part No.	Description	Series	Qty
1	23001244	VALVE, DRAIN (240V-50/60HZ)	10	1
2	23001246	HOSE, BOTTOM FILL	10	1
3	23001251	HOSE, OVERFLOW	10	1
4	23001760	HOSE, OVERFLOW	10	1
5	23001252	HOSE, WATER LEVEL SWITCH	10	1
6	23001253	DRAIN TEE	10	2
7	23004241	HOSE, AIRVENT	10	1
8	23001260	BUSHING, AIR DOME HOSE	10	1
9	23001259	CLAMP, CORBIN (A17.5)	10	3
10	23001246	HOSE, BOTTOM FILL	10	1
11	23001248	HOSE, DRAIN	10	1
13	23001256	CLAMP, HOSE (60-80)	10	1
14	23001257	CLAMP, CORBIN (A5.5)	10	1
16	23002475	BOLT (M8X20)	10	4
17	23003769	WASHER M8	10	4
18	23002437	WASHER (M8)	10	8
19	23002439	WASHER, SPRING LOCK (8)	10	6
20	N 23003766	NUT M8	10	6
21	23002908	SCREW (M8X120)	10	2
22	23001750	RING, CLAMP (40-60)	10	6
23	23001255	TEE, OVERFLOW HOSE	10	1
24	23001262	CLAMP, HOSE (20-32)	10	1
25	23002907	TUB, OUTLET VALVE HOSE	10	1
27	23001258	CLAMP, HOSE (70-90)	10	2
29	23001015	RUBBER SEAL, SOAP BOX	10	1
30	23004115	RUBBER, TUB SOAP HOPPER	10	1
31	23001025	CLAMP, HOSE (DIA 90/110)	10	2
32	23004243	HOSE, OVERFLOW	10	1
33	23003484	SCREW (M5X16)	10	4
35	23001016	SOAP BOX HOUSING	10	1
36	23003783	SCREW 2	10	1
37	23001023	DRAWER, LAST RINSE	10	1
38	23001022	DRAWER, MAIN WASH	10	1
39	23001021	DRAWER, PREWASH	10	1
40	23001018	SIPHON	10	1
41	23003782	SCREW 3 STAINLESS STEEL LU	10	1
42	23001019	TRAY	10	1
43	23001020	COVER, PLATE	10	1
44	23001017	SOAP BOX INSERT	10	1

*Color Code (-)=Not Shown #=Series, Serial Prefix or Run No., N=Not Available

Section: CONTROL PANEL (PD)

Model: MFR60PDCTS



23-Feb-05
520 784

CW11-94

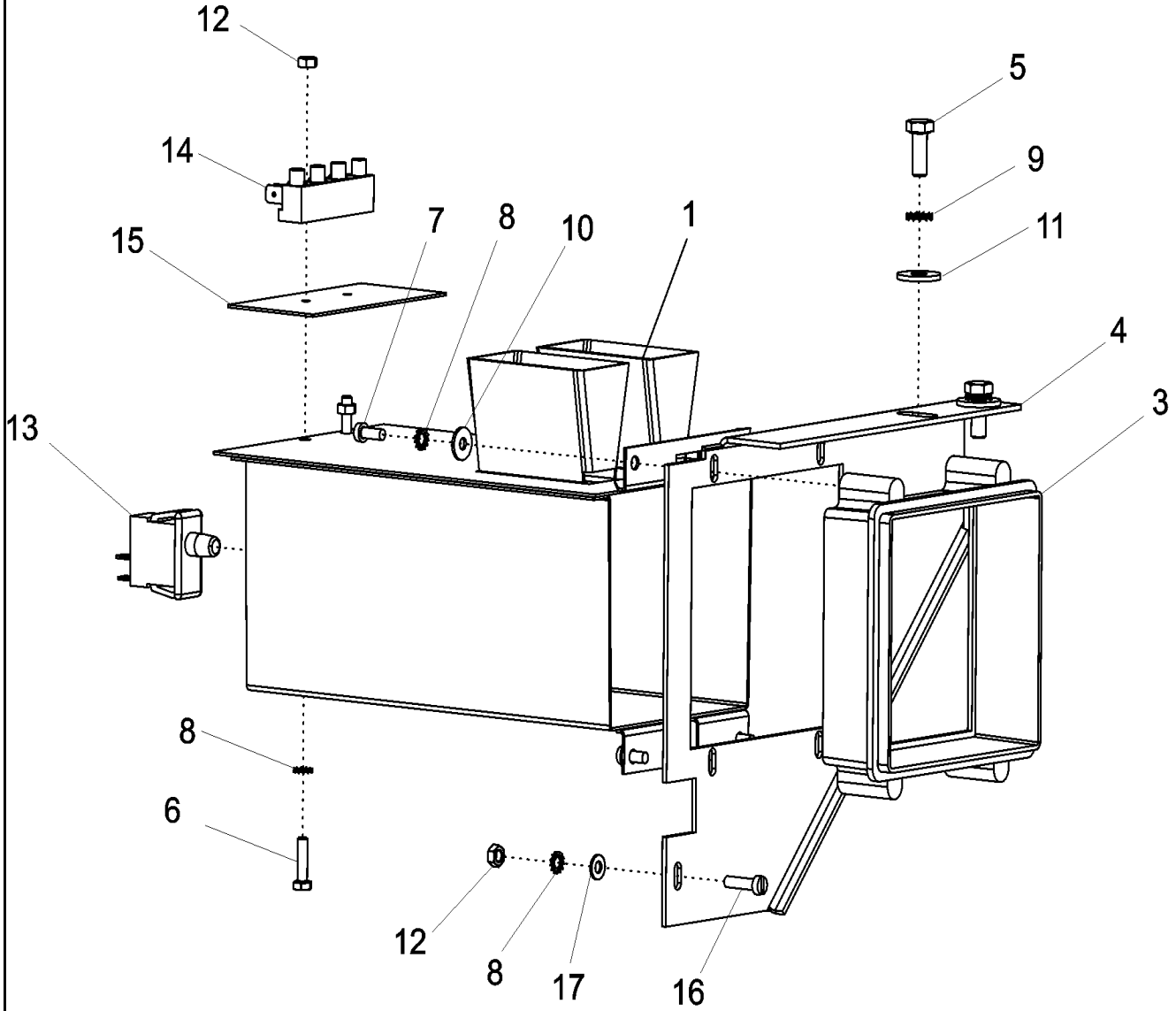
Section: CONTROL PANEL (PD)

No.	Part No.	Description	Series	Qty
1	23004244	BRACKET, CONTROL	10	1
2	23004117	BRACKET, CONTROL BOARD LU	10	1
3	23004118	CONTROL BOARD	10	1
4	23003992	MCG EEPROM CHIP LU	10	1
5	23004119	DISPLAY LENS	10	1
6	23004120	LENS, IR	10	1
7	23004245	PANEL, CONTROL(FACIA)	10	1
8	23003646	BUTTONS, ROW OF 3	10	2
9	23004122	KEY BOARD	10	1
10	23004123	HOLD PLATE	10	1
11	23003810	SCREW	10	8
12	23003811	SCREW	10	2
13	23004124	COIN DROP 25 US	10	1
13	23004075	DUAL COIN DROP CANADA	10	1
13	23004167	OPTIC SWITCH	10	1
14	23003797	BOLT	10	2
15	23004125	Z-BRACKET	10	2
16	23002438	WASHER (M6)	10	4
17	23002950	LOCKWASHER (M4)	10	4
18	23003666	NUT (M4)	10	4
19	23003778	WASHER 12	10	2
20	23002756	WASHER	10	2
21	23003773	NUT M6	10	2
22	23001145	MICROSWITCH, LONG LEVER	10	1
23	23003653	TUBE	10	2
24	23003652	SCREW, SWITCH	10	2
25	23003654	WASHER (M3)	10	2
26	23002958	NUT (M3)	10	2
27	23004127	EMERGENCY STOP INTERCONNECT	10	1
28	23002865	LOCK WASHER (M3)	10	7
29	23004061	SCREW M3 X 8	10	7
30 N	23002877	COVER, PLASTIC	10	1
31	23004126	DOUBLE SIDE TAPE	10	1
32	23002455	NUT, RAPID (M6)	10	1
-	23004091	KIT, CONVERT PD TO PN	10	1

*Color Code (-)=Not Shown #=Series, Serial Prefix or Run No., N=Not Available

Section: COIN VAULT (PD)

Model: MFR60PDCTS



23-Feb-05
520 789

CW11-96

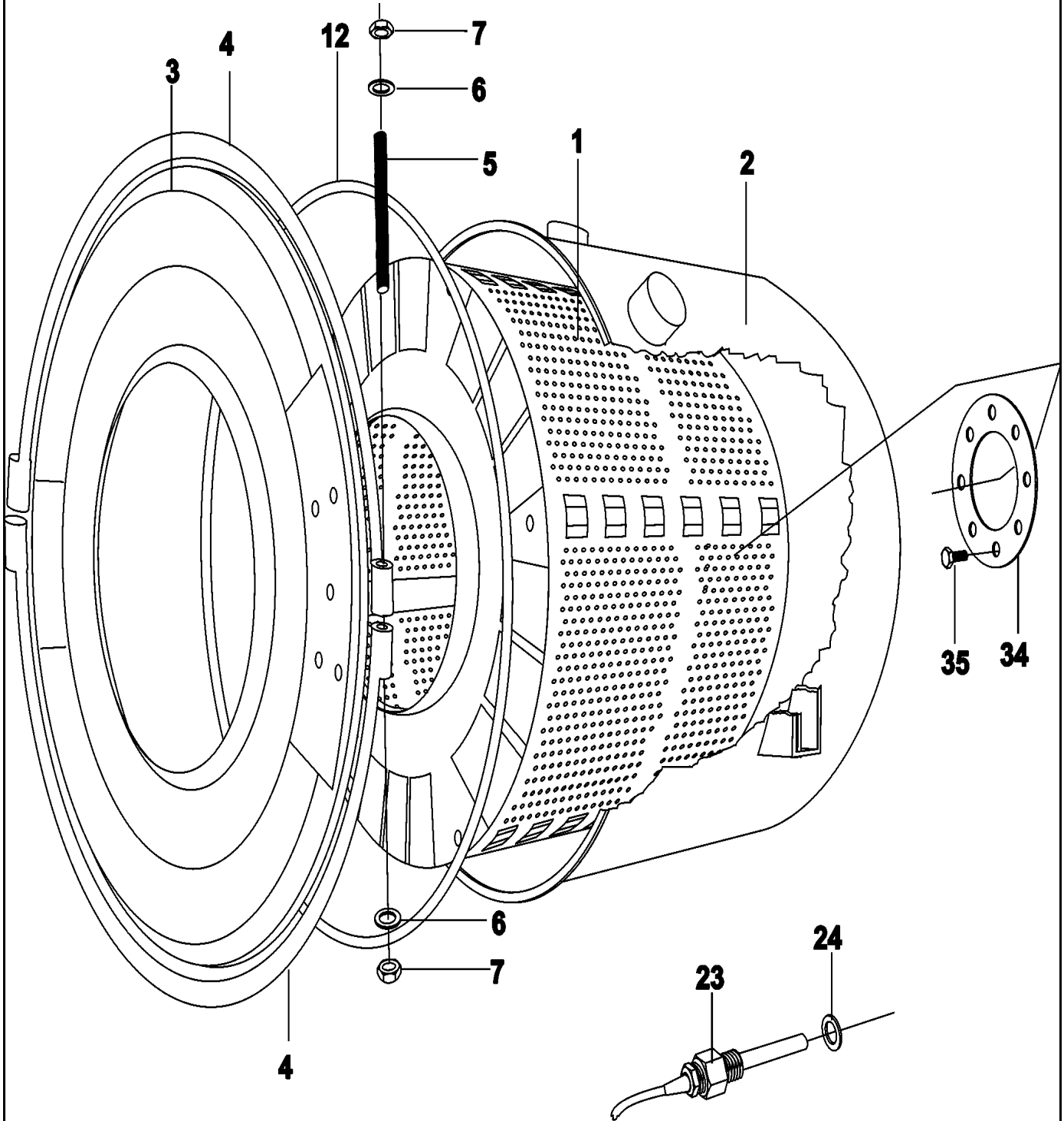
Section: COIN VAULT (PD)

No.	Part No.	Description	Series	Qty
1	23004128	COINBOX VAULT	10	1
3	23004129	COINBOX FRAME	10	1
4	23004130	COINBOX BRACKET	10	1
5	23002461	SCREW (M6 X16)	10	2
6	23004095	BOLT M4 X 16	10	2
7	23002423	SCREW (M4 X 10)	10	4
8	23002950	LOCKWASHER (M4)	10	7
9	23002756	WASHER	10	2
10	23002504	WASHER	10	4
11	23003012	WASHER LU	10	2
12	23003666	NUT (M4)	10	3
13	23003656	SWITCH, COIN BOX	10	1
14	23001113	CONNECTOR HOUSING (4 POLE)	10	1
15	23001115	INSULATION PAPER	10	1
16	23001012	SCREW (M4 X 12 STNLS STEEL)	10	1
17	23002438	WASHER (M6)	10	1

*Color Code (-)=Not Shown #=Series, Serial Prefix or Run No., N=Not Available

Section: BASKET & OUTER SHELL ASSEMBLY

Model: MFR60PDCTS



**05-May-05
504657B**

CW24-06

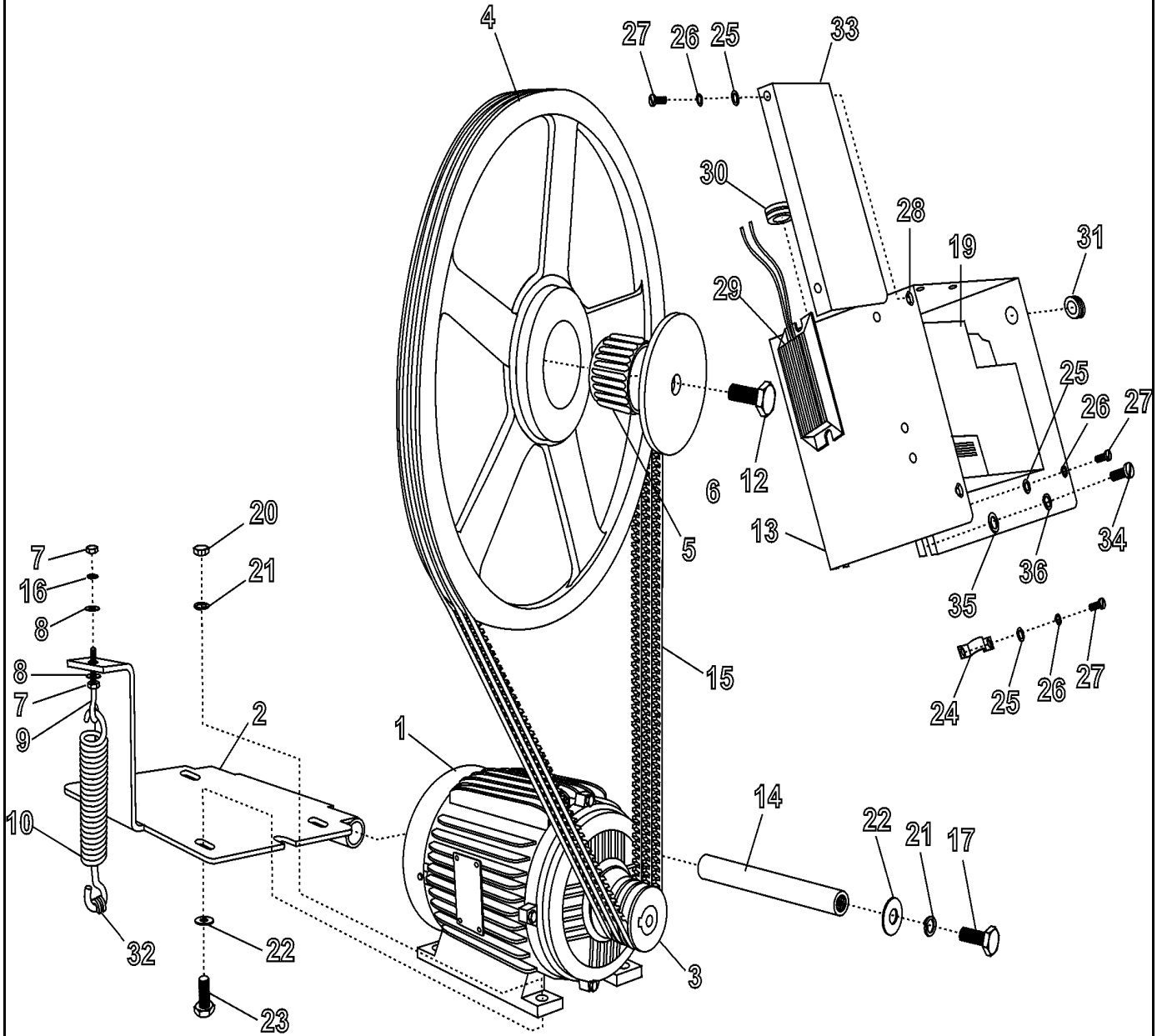
Section: BASKET & OUTER SHELL ASSEMBLY

No.	Part No.	Description	Series	Qty
1	23004051	INNER TUB	10	1
2	23004052	OUTER TUB COMPLETE	10	1
3	23004053	FRONT TUB PANEL COMPLETE	10	1
4	23004054	FRT TUB CLAMP RING	10	2
5	23002486	BOLT (M8)	10	2
6	23001608	WASHER (M8) LU	10	4
7	23002487	NUT (M8)	10	4
12	23004248	GASKET	10	1
23	23003807	HOLDER THERMOSTAT SENSOR	10	1
24	23002179	WASHER	10	1
33	23003831	SENSOR, TEMPERATURE	10	1
34	23004249	RING	10	1
35	23004114	BOLT M6 X 16	10	8

*Color Code (-)=Not Shown #=Series, Serial Prefix or Run No., N=Not Available

Section: MOTOR & BASKET PULLEY

Model: MFR60PDCTS



05-May-05
516 544

CW23-07

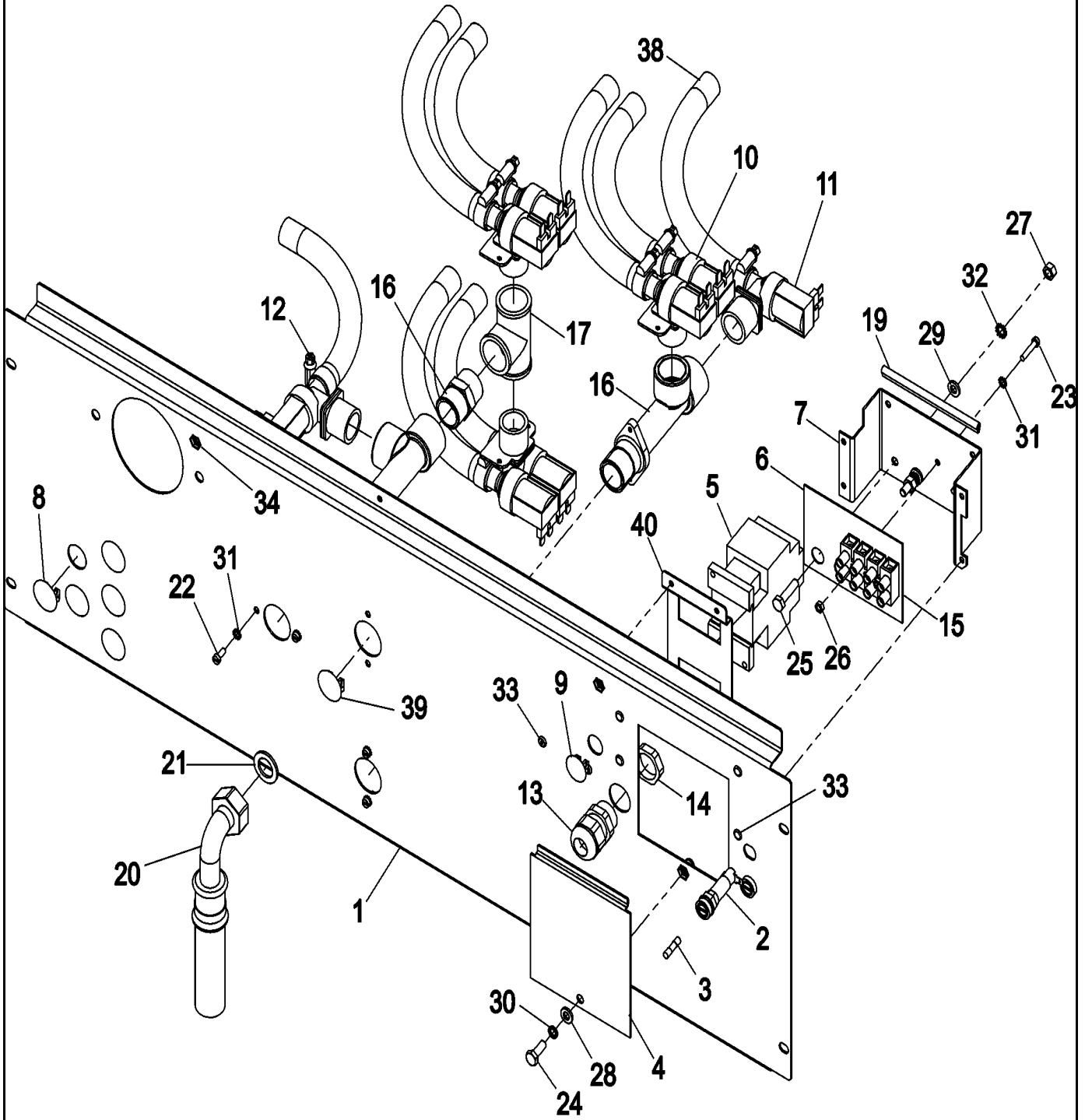
Section: MOTOR & BASKET PULLEY

No.	Part No.	Description	Series	Qty
1	23004082	MOTOR 240V 3PHASE	10	1
2	23004250	MOUNTING PLATE, MOTOR	10	1
3	23004251	V-PULLEY, MOTOR	10	1
4	23004252	V-PULLEY, DRUM	10	1
5	23004253	TOLERANCE RING, DRUM PULLEY	10	1
6	23004254	WASHER M16	10	1
7	N 23003766	NUT M8	10	2
8	23003769	WASHER M8	10	2
9	23004255	BOLT M8X80	10	1
10	23004256	SPRING	10	1
12	23002278	BOLT (M16X30)	10	1
13	23004260	COVER, FREQ INVERTER	10	1
14	23004257	MOTOR PIN	10	1
15	23001287	V-BELT (XPZ X 1950)	10	2
16	23002439	WASHER, SPRING LOCK (8)	10	1
17	23003332	BOLT (M12-1.75 X 25)	10	2
-	23004220	FAN, INVERTER FREQ	10	1
19	23003986	INVERTER E520S-2.2KW	10	1
20	23003676	NUT (M12)	10	4
21	23002658	WASHER (12)	10	6
22	23002657	WASHER (13)	10	6
23	23003079	SCREW (M12X40)	10	4
24	23004021	CABLE SOCKET	10	1
25	23002438	WASHER (M6)	10	12
26	23002400	WASHER	10	12
27	23001609	SCREW (M4X12)	10	12
28	23004093	RIVETING BLIND NUT M4	10	6
29	23004024	BRAKE RESISTOR 240V	10	1
30	N 23001742	PASSAGE, CABLE (22X2)	10	1
31	N 23002834	PASSAGE, CABLE (13 X 2)	10	1
32	23004258	BUSHING	10	1
33	23004259	COVER	10	1
34	23002461	SCREW (M6 X16)	10	4
35	23003778	WASHER 12	10	4
36	23002440	WASHER, SPRING LOCK (6)	10	4

*Color Code (-)=Not Shown #=Series, Serial Prefix or Run No., N=Not Available

Section: WATER VALVE & REAR PANEL

Model: MFR60PDCTS



20-Apr-05
521 460

CW22-05

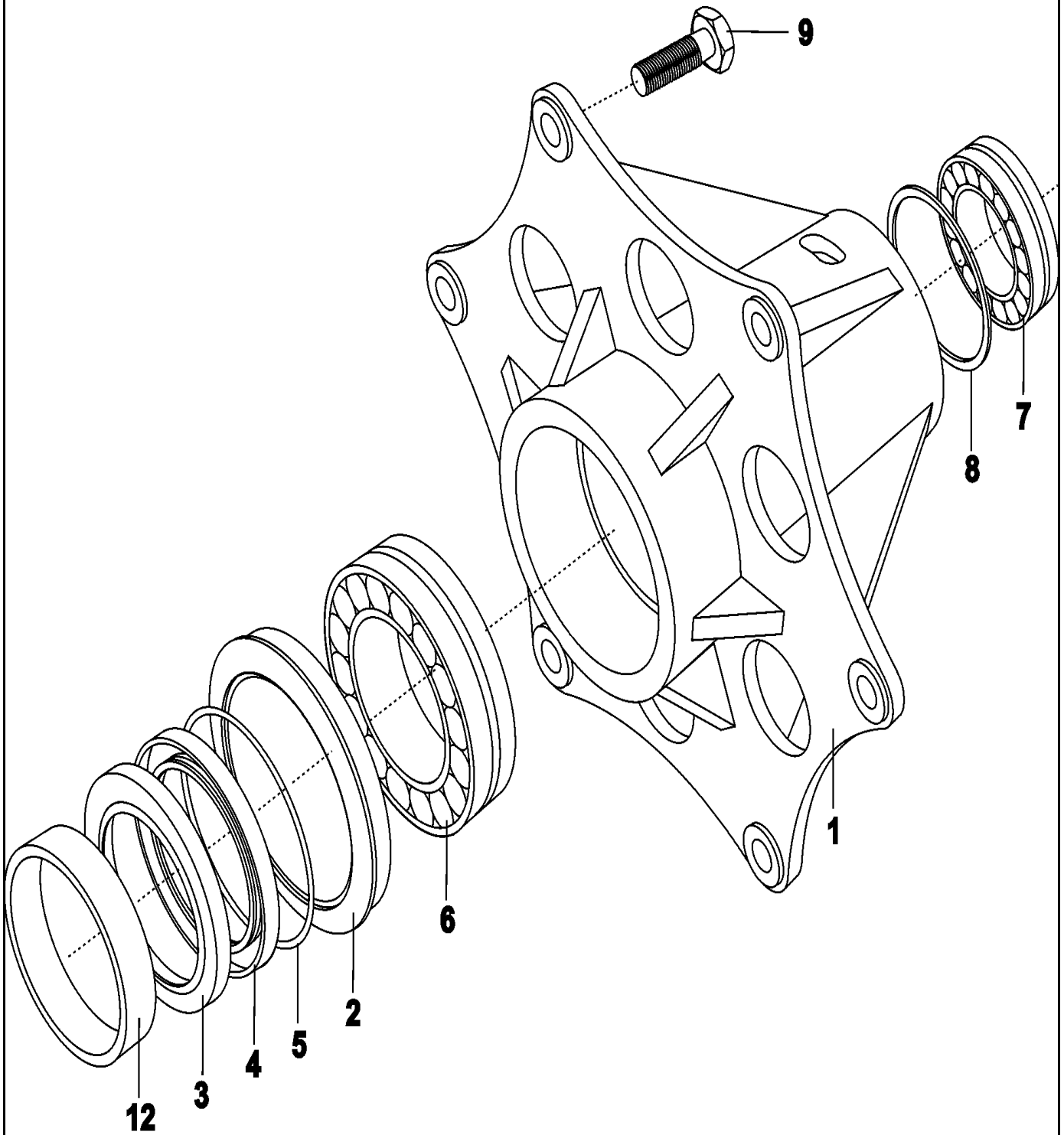
Section: WATER VALVE & REAR PANEL

No.	Part No.	Description	Series	Qty
1	23004261	PANEL, REAR	10	1
2	23001462	HOLDER, FUSE	10	2
3	23001508	FUSE (1A)	10	2
4	23003661	TERMINAL COVER LU	10	1
5	23003750	CONTACTOR LC1 DO9	10	1
6	23004159	ELECTRO-INSUL FOIL	10	1
7	23004160	TERM BOARD BOX	10	1
8	23002795	PLUG	10	5
9	23003785	PLUG	10	1
10	23001455	VALVE, TWO WAY (220V 50/60HZ)	10	3
11	23001534	VALVE, ONE WAY (230V 50/60HZ)	10	2
12	23001506	CLAMP, HOSE	10	16
13	23002196	SWIVEL, CABLE	10	1
14	23002197	NUT	10	1
15	23002923	BOARD, TERMINAL	10	1
16	23002924	T-PART (3/4)	10	2
17	23001485	TEE, 3/4" PIPE THREAD (BRASS)	10	1
18	23001482	NIPPLE (3/4" PIPE THREAD)	10	1
19	23002473	RUBBER, PROTECTIVE	10	1
20	23001523	HOSE, CONNECTION	10	2
21	23002921	WASHER, FILL HOSE	10	4
22	23002423	SCREW (M4 X 10)	10	4
23 N	23002807	SCREW (M4 X 20)	10	2
24	23002461	SCREW (M6 X16)	10	1
25	23002806	SCREW (M6 X 25)	10	2
26	23003666	NUT (M4)	10	2
27	23002651	NUT (M6)	10	2
28	23002438	WASHER (M6)	10	1
29	23002440	WASHER, SPRING LOCK (6)	10	2
30	23004262	WASHER 6,4	10	1
31	23004263	WASHER M4	10	6
32	23004264	WASHER M6	10	2
33	23002362	RIVET W/CRANK	10	8
34	23002425	WASHER, LOCK	10	3
38	23001507	WATERHOSE (GREEN)	10	1
39	23001476	PLUG, WATER INLET	10	1
-	23004127	EMEREGENCY STOP INTERCONNECT	10	1
40	23004161	BRACKET, CONTACTOR	10	1
-	23004139	EMERGENCY STOP HARNESS	10	1
-	23004265	HARNESS, MAIN	10	1
-	23004164	CONNECTOR LIQ SOAP LU	10	1
-	23004266	MOTOR CABLE	10	1
-	23004163	DOOR LOCK HARNESS	10	1
-	23004210	COMMUNICATION CABLE	10	1

*Color Code (-)=Not Shown #=Series, Serial Prefix or Run No., N=Not Available

Section: TRUNNION

Model: MFR60PDCTS



22-May-05
516 543

CW24-05

Section: TRUNNION

No.	Part No.	Description	Series	Qty
1	23004034	TRUNNION LU	10	1
2	23004035	SEAL HOLDER	10	1
3	23004036	SEAL	10	1
4	23004037	SEAL	10	1
5	23004038	RING	10	1
6	23003076	BEARING	10	1
7	23003615	BEARING	10	1
8	23004039	RETAINING RING	10	1
9	23004040	BOLT M16 X 50	10	6
12	23004041	RING	10	1

*Color Code (-)=Not Shown #=Series, Serial Prefix or Run No., N=Not Available

