

PARTS LIST

for

MAYTAG[®]

**COMMERCIAL
AUTOMATIC WASHER**

MODEL NO.(S)

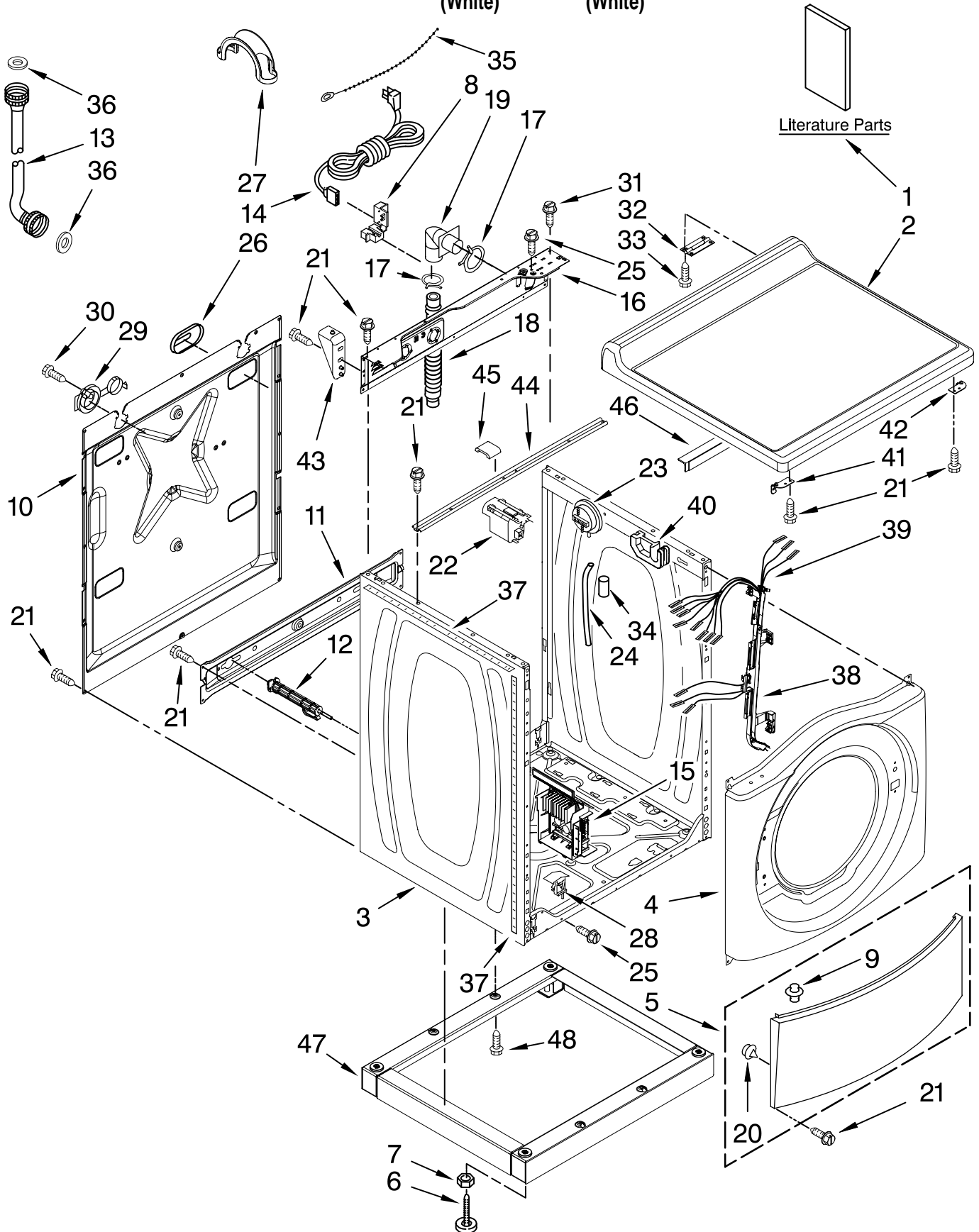
**MHN30PRAWW0
MHP30PRAWW0**

TOP AND CABINET PARTS

For Models: MHN30PRAWW0, MHP30PRAWW0

(White)

(White)



FOR ORDERING INFORMATION REFER TO PARTS PRICE LIST

TOP AND CABINET PARTS

For Models: MHN30PRAWW0, MHP30PRAWW0

(White)

(White)

Illus. No.	Part No.	DESCRIPTION	Illus. No.	Part No.	DESCRIPTION	Illus. No.	Part No.	DESCRIPTION
1		Literature Parts	18	W10106460	Hose, Drain-Outer	38	W10168546	Harness Channel, Side Front
	W10353871	Installation Instructions Tech Sheet	19	W10003260	Connector, Hose Outlet	39	W10298334	Harness, Wiring (Lower Main) Includes Item 38 And The Following Cable Sets: (Not Illustrated)
	W10311068	English	20	238614	Bumper		W10253050	CCU To MCU-Power (2 Pole)
	W10311070	French	21	W10015090	Screw, 8-18 x 5/8		W10253054	CCU TO MCU-Serial Communication (3 Pole)
	W10353875	Repair Parts List	22	W10355868	Filter, Interference		8540205	Door Lock - Power
2	W10137410	Top	23	W10292407	Switch, Pressure	40	8540643	Bracket, Spring
3	W10225458	Cabinet	24	8540294	Hose, Pressure Switch	41	W10137445	Bracket - Top Panel, Left
4	W10306505	Panel, Front	25	8540479	Screw, Grounding	42	W10137444	Bracket - Top Panel, Right
5	8540813	Toe Panel	26	8540268	Cover, Transport	43	W10137398	Stop - Top Panel
6	W10245373	Foot, Leveling	27	8577378	U-Bend, Drain Hose	44	8540721	Brace, Top
7	3359452	Nut, Lock	28	W10085220	Microswitch	45	8283273	Damper, Brace
8	W10110676	Strain Relief, Power Cord	29	8540728	Sleeve, Cord Support	46	W10279059	Angle, Support-Top
9	8518891	Rivet	30	8540727	Screw, 3 x 8 mm	47	W10103350	Pedestal, Commercial (Included With Model MHP30PRAWW0)
10	W10258342	Panel, Rear	31	8540329	Screw	48	3400111	Screw, 12-14 x 5/8
11	W10189659	Brace, Transport	32	8565018	Hinge & Pin Assembly			
12	W10251449	Bolt, Shipping	33	342055	Screw, 8-18 X 1/2			
13		Hose, Water Inlet	34	2161302	Sleeve, Pressure Switch Hose			
	W10194208	Cold Water	35	3347868	Cable Tie			
	8571378	Hot Water	36	3976300	Washer, Water Inlet Hose 1-1/16 x 5/8			
14	W10205500	Cord, Power	37	8318396	Seal, Foam-IEC			
15	W10326465	Motor Control Unit						
16	W10244560	Brace, Rear						
17	356138	Clamp, Hose						

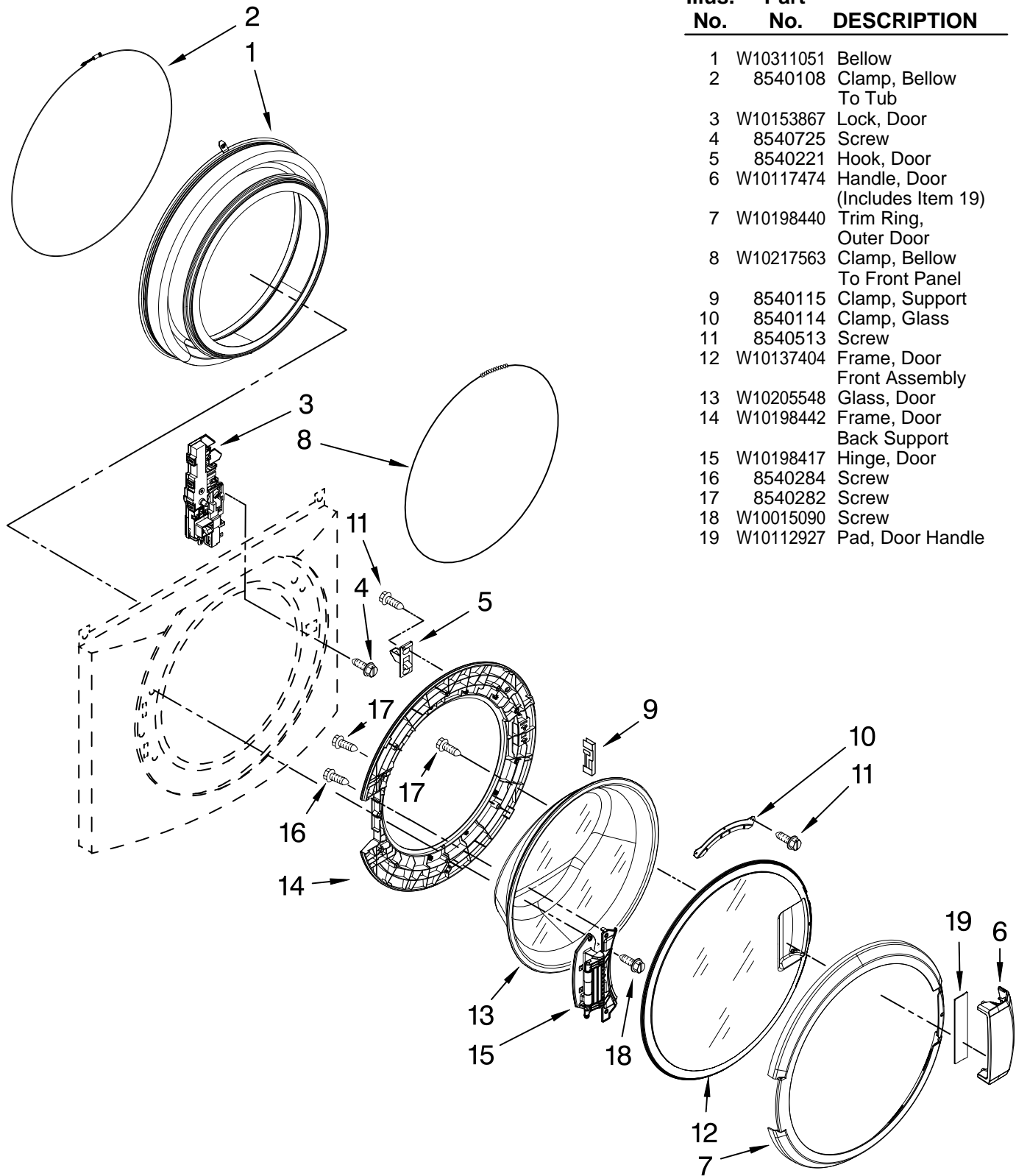
FOR ORDERING INFORMATION REFER TO PARTS PRICE LIST

DOOR AND LATCH PARTS

For Models: MHN30PRAWW0, MHP30PRAWW0

(White)

(White)



Illus. No.	Part No.	DESCRIPTION
1	W10311051	Bellow
2	8540108	Clamp, Bellow To Tub
3	W10153867	Lock, Door
4	8540725	Screw
5	8540221	Hook, Door
6	W10117474	Handle, Door (Includes Item 19)
7	W10198440	Trim Ring, Outer Door
8	W10217563	Clamp, Bellow To Front Panel
9	8540115	Clamp, Support
10	8540114	Clamp, Glass
11	8540513	Screw
12	W10137404	Frame, Door Front Assembly
13	W10205548	Glass, Door
14	W10198442	Frame, Door Back Support
15	W10198417	Hinge, Door
16	8540284	Screw
17	8540282	Screw
18	W10015090	Screw
19	W10112927	Pad, Door Handle

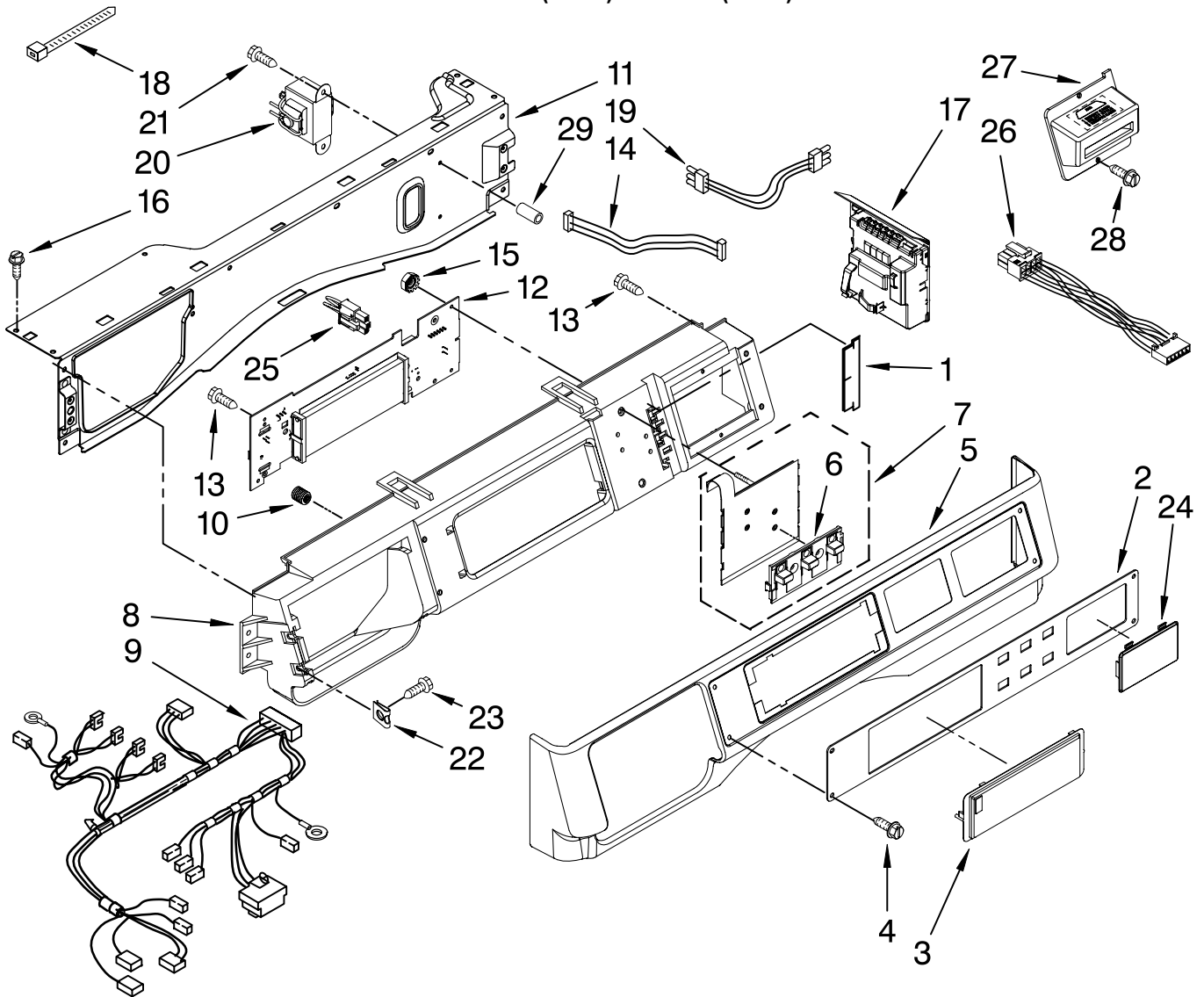
FOR ORDERING INFORMATION REFER TO PARTS PRICE LIST

CONTROL PANEL PARTS

For Models: MHN30PRAWW0, MHP30PRAWW0

(White)

(White)



Illus. Part
No. No. DESCRIPTION

- 1 W10187276 Seal, Console
- 2 W10313091 Facia / Overlay
- 3 W10267645 Cover, Display
- 4 W10137457 Screw, 8-32 X 1/2
- 5 W10137458 Console, Outer
- 6 W10131113 Push Button
- 7 W10135389 Push Button & Switch Assembly
- 8 W10137426 Console, Inner

Illus. Part
No. No. DESCRIPTION

- 9 W10298332 Harness, Wiring (Upper Main) Includes The Following Cable Sets: (Not Illustrated)
- W10232996 CCU To Cold Fill Valve (3 Pole)
- W10232997 CCU To Hot Fill Valve (2 Pole)
- 10 W10189313 Insert
- 11 W10294428 Bracket, Console
- 12 W10311755 User Interface
- 13 489136 Screw, 3-24 X 3/8
- 14 W10155150 Harness, Test
- 15 W10139046 Nut 6-32
- 16 W10015090 Screw, 8-18 X 5/8

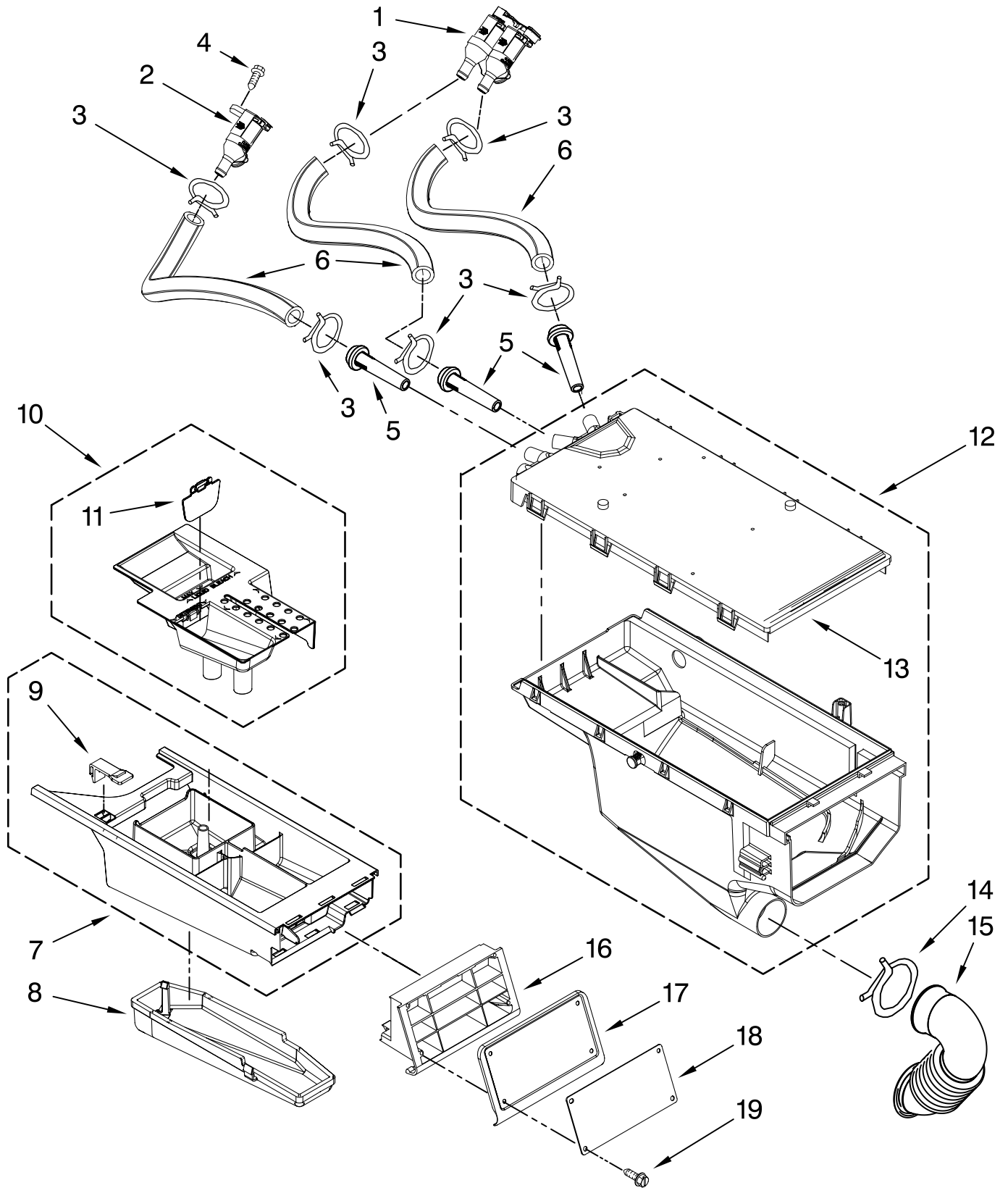
Illus. Part
No. No. DESCRIPTION

- 17 W10311060 Microcomputer, Machine Control
- 18 3429563 Cable Tie
- 19 W10299342 Harness, Wiring (Console UIC)
- 20 W10131839 Transformer 120 To 22.5 VAC
- 21 8540329 Screw, 8-18 X 7/16
- 22 9781235 Nut, U-Type
- 23 W10131119 Screw, 8-18 x 1/2
- 24 W10213906 Cover, Card Reader
- 25 W10133282 Jumper, Service Vault Switch
- 26 W10133304 Harness, Wiring (Card Reader)
- 27 W10137454 Bezel, Card Reader
- 28 W10001220 Screw, 3-24 x 3/8
- 29 W10018050 CAPLUG

FOR ORDERING INFORMATION REFER TO PARTS PRICE LIST

DISPENSER PARTS

For Models: MHN30PRAWW0, MHP30PRAWW0
(White) (White)



FOR ORDERING INFORMATION REFER TO PARTS PRICE LIST

DISPENSER PARTS

For Models: MHN30PRAWW0, MHP30PRAWW0
(White) (White)

Illus. No.	Part No.	DESCRIPTION
1	W10212596	Valve, Water Inlet (Double)
2	W10212598	Valve, Water Inlet (Single)
3	370450	Clamp, Hose
4	8540282	Screw
5	8183181	Nozzle, Inlet
6	W10212611	Hose, Valve To Dispenser
7	W10366786	Drawer, Detergent
8	8540399	Cover, Detergent Drawer
9	W10303980	Tab, Drawer Release
10	W10275869	Siphon, Bleach/Softener
11	W10298953	Door, Living Hinge
12	W10212603	Dispenser, Outer Housing
13	W10212604	Plate, Distribution
14	8281276	Clamp, Hose
15	8540063	Hose, Dispenser To Tub
16	W10137432	Handle, Drawer
17	W10137460	Cover, Handle
18	W10137430	Facia/Overlay, Drawer
19	W10137456	Screw, 8-18 x 1/2

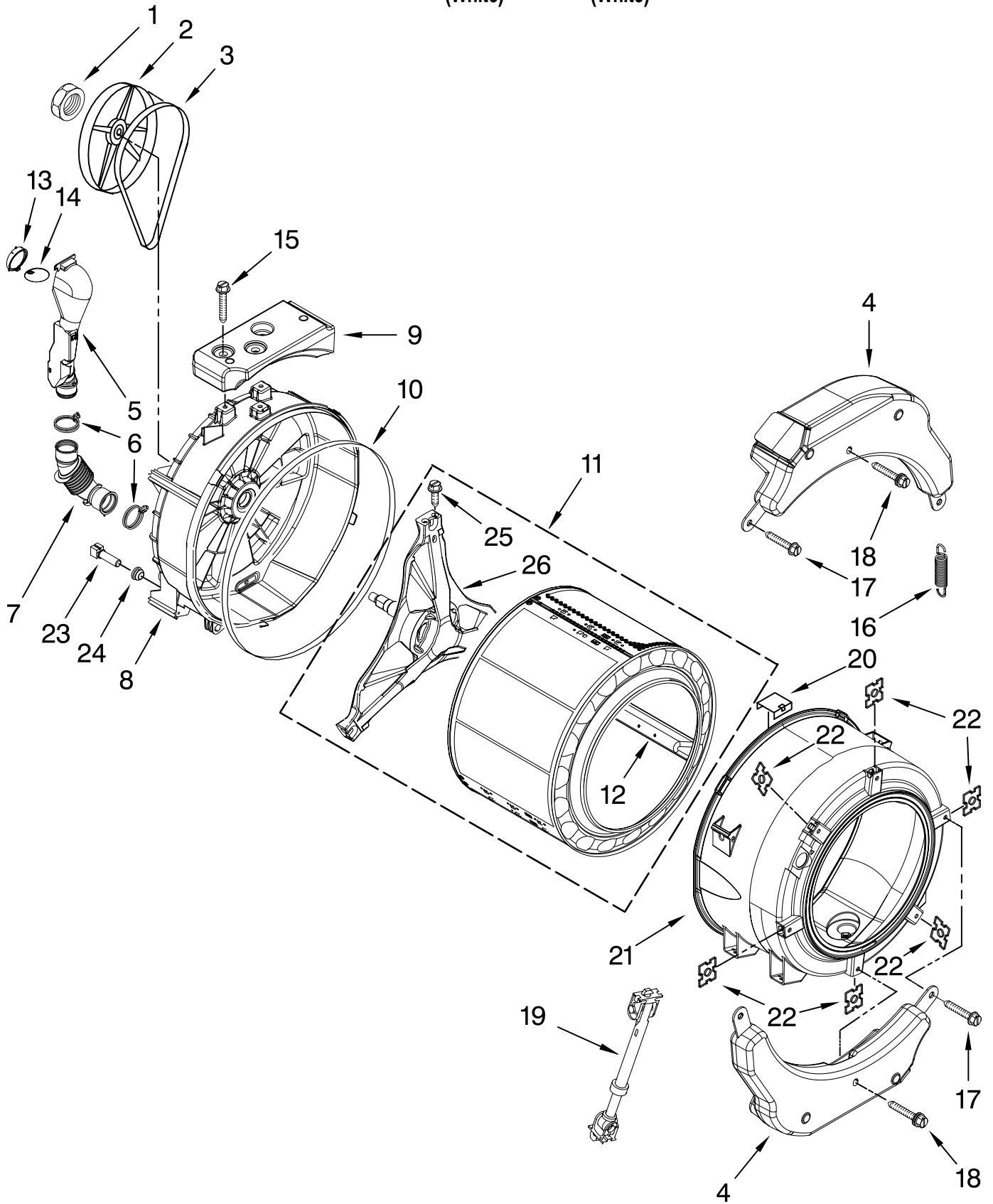
FOR ORDERING INFORMATION REFER TO PARTS PRICE LIST

TUB AND BASKET PARTS

For Models: MHN30PRAWW0, MHP30PRAWW0

(White)

(White)



FOR ORDERING INFORMATION REFER TO PARTS PRICE LIST

TUB AND BASKET PARTS

For Models: MHN30PRAWW0, MHP30PRAWW0

(White)

(White)

Illus.	Part	
No.	No.	DESCRIPTION
1	8533999	Nut, Pulley
2	8540088C	Pulley
3	W10260319	Belt, Drive
4	W10223198	Counterweight, Front
5	W10142720	Pipe, Ventilation
6	8540010	Clamp, Vent Hose
7	8540019	Hose, Exhaust
8	W10303574	Tub, Rear (Includes Items 10 & 22)
9	W10200747	Counterweight, Rear
10	8540090	Gasket, Tub
11	W10303571	Basket, Complete
12	W10118982	Baffle, Tub
13	W10142721	Connector – Ventilation
14	W10142722	Flap – Ventilation
15	W10246531	Screw, Rear Counterweight
16	W10010360	Spring, Suspension
17	W10094780	Bolt, Counterweight Mtg.
18	W10259288	Bolt Assembly, Counterweight Center Hole
19	W10015830	Shock Absorber
20	8540092	Clamp, Tub
21	W10266965	Tub, Front (Includes Items 10 & 22)
22	8540072	Nut, Push-In
23	W10176659	Negative Thermistor Control
24	8540766	Seal, Rubber
25	8540382	Screw
26	8540342	Crosspiece Assembly

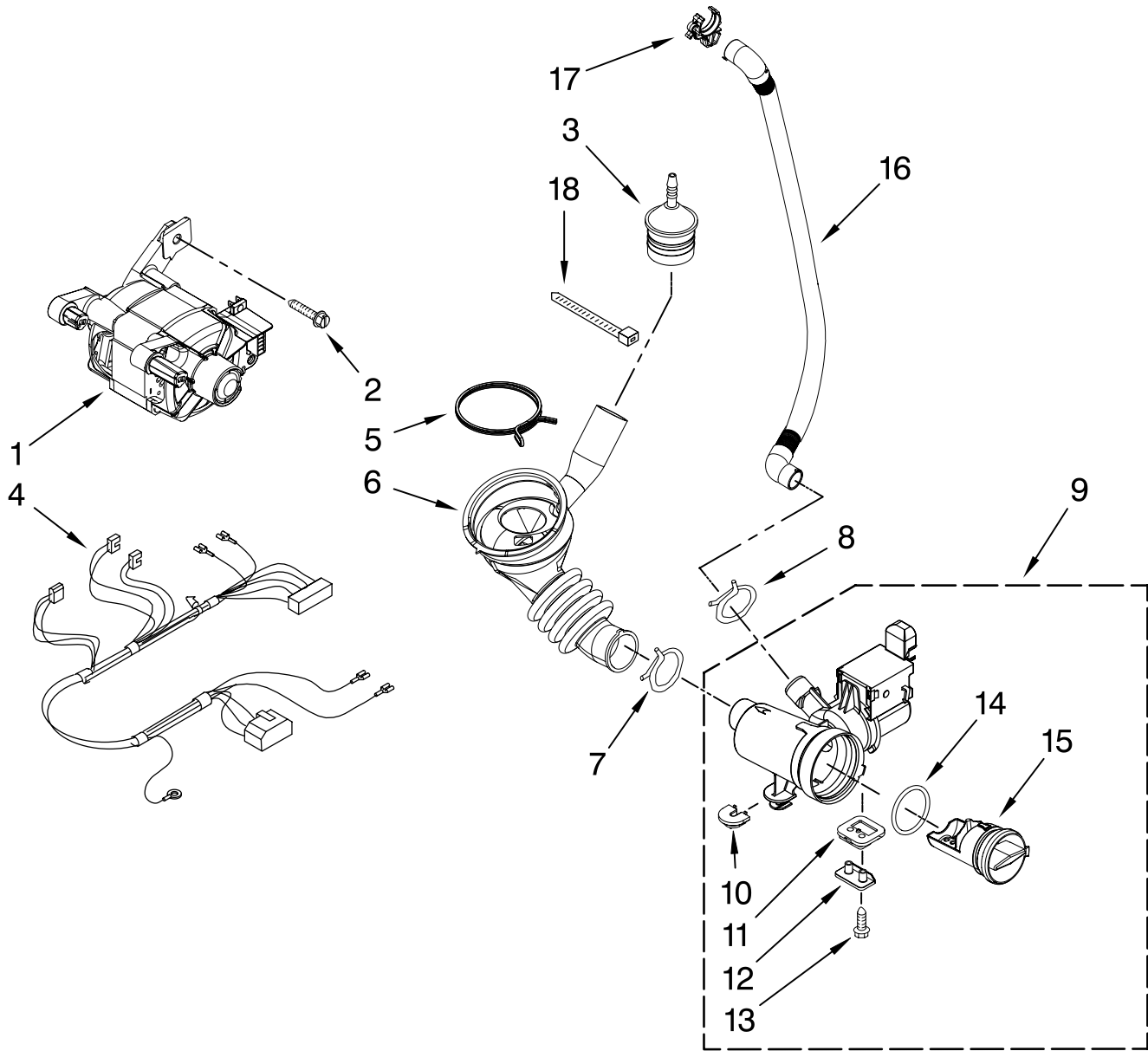
FOR ORDERING INFORMATION REFER TO PARTS PRICE LIST

PUMP AND MOTOR PARTS

For Models: MHN30PRAWW0, MHP30PRAWW0

(White)

(White)



Illus. No.	Part No.	DESCRIPTION
1	W10171927	Motor, Drive
2	8540134	Bolt, Motor
3	8540180	Air Trap (Includes Item 18)
4	W10201879	Harness, Motor
5	8181734	Clamp
6	8540012	Hose, Tub to Pump

Illus. No.	Part No.	DESCRIPTION
7	370448	Clamp, Hose
8	356138	Clamp, Drain Hose
9	W10130913	Pump (Complete)
10	W10034820	Foot, Rubber (Slider)
11	W10034830	Foot, Rubber (Lock)
12	8540033	Cap, Lock Foot
13	8533964	Screw, 10-16 x 1.25

Illus. No.	Part No.	DESCRIPTION
14	8540025	Seal, Filter Cap
15	8540996	Filter Assembly (Includes Item 14)
16	W10272563	Hose, Drain- Inner
17	W10003290	Retainer, Drain Hose
18	2262071	Cable Tie

FOR ORDERING INFORMATION REFER TO PARTS PRICE LIST

OPTIONAL PARTS (NOT INCLUDED)

For Models: MHN30PRAWW0, MHP30PRAWW0

(White)

(White)

Illus. No.	Part No.	DESCRIPTION
-------------------	-----------------	--------------------

PAINT, TOUCH-UP (1/2oz.)

72017 White

PAINT, PRESSURIZED SPRAY (12 oz.)

350938 Primer, Gray

350930 White

PAINT, BULK (1 qt.)

799344 White (Uncut)

ACCESSORY PARTS

285863 Drain Extension

W10135699 Affresh

Odor Remover

W10103350 Pedestal,

Commercial