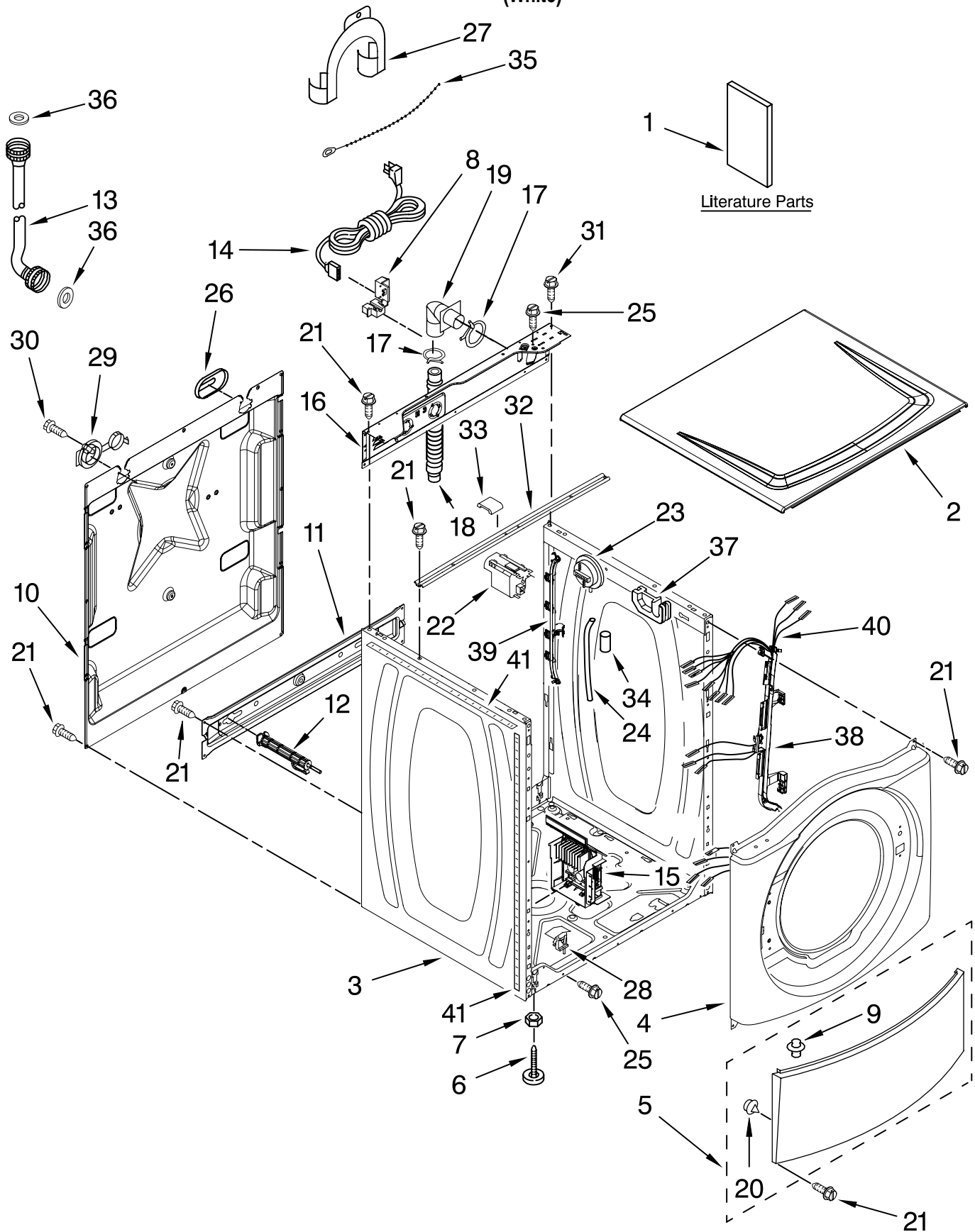


## TOP AND CABINET PARTS

For Model: MHWE200XW00  
(White)

AUTOMATIC  
WASHER



FOR ORDERING INFORMATION REFER TO PARTS PRICE LIST

# TOP AND CABINET PARTS

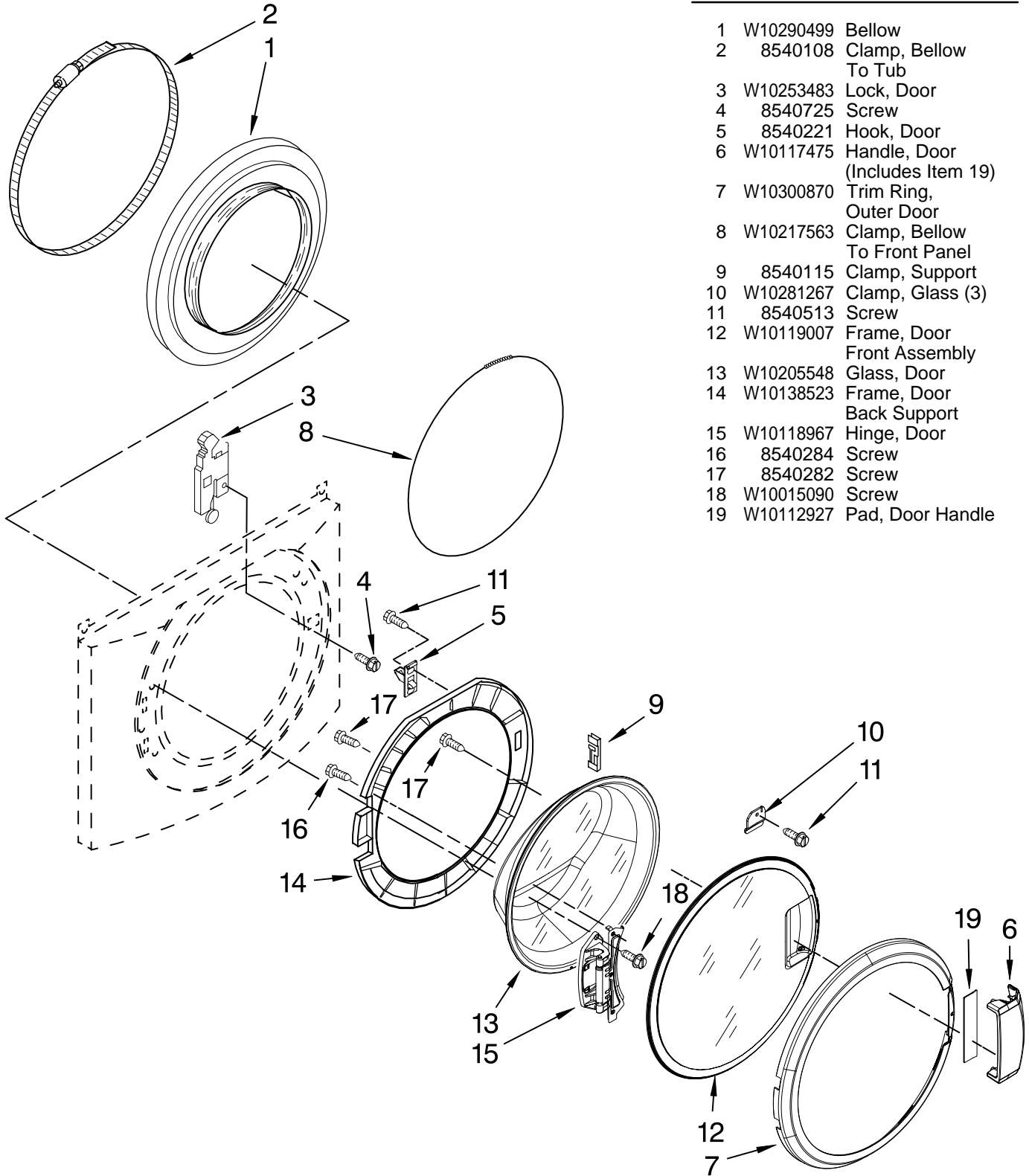
For Model: MHWE200XW00  
(White)

Illus. No.	Part No.	DESCRIPTION	Illus. No.	Part No.	DESCRIPTION	Illus. No.	Part No.	DESCRIPTION
1		Literature Parts	15	W10289776	Motor Control Unit	30	8540727	Screw, 3 x 8 mm
	W10295008	Use & Care Guide	16	W10244560	Brace, Rear	31	8540329	Screw
	W10252711	Tech Sheet	17	356138	Clamp, Hose	32	8540720	Brace, Top (Includes Item 33)
	W10294937	Energy Guide	18	W10281257	Hose, Drain (Outer)	33	8283273	Damper, Brace
2	8540716	Top	19	W10003260	Connector, Drain Hose	34	2161302	Sleeve, Pressure Switch Hose
3	W10245758	Cabinet	20	238614	Bumper (2)	35	3347868	Cable Tie
4	W10306505	Panel, Front	21	W10015090	Screw, 8-18 x 5/8	36	3976300	Washer, Water Inlet Hose (4) 1-1/16 x 5/8
5	8540813	Toe Panel	22	8540230	Filter, Interference	37	8540644	Bracket-Suspension Spring (2)
6	W10245373	Foot, Leveling (4)	23	W10239066	Switch, Pressure	38	W10168546	Harness Channel, Side Front
7	3359452	Nut, Lock (4)	24	8540294	Hose, Pressure Switch	39	W10168547	Harness Channel, Side Rear
8	W10110676	Strain Relief, Power Cord	25	8540479	Screw, Grounding	40	W10239822	Harness, Wiring (Lower Main) (Includes Item 38)
9	8518891	Rivet	26	8540268	Cover, Transport	41	8318396	Seal, Foam - IEC
10	W10258341	Panel, Rear	27	8540021	U-Bend, Drain Hose			
11	W10189657	Brace, Transport	28	W10085220	Microswitch (2)			
12	W10251449	Bolt, Shipping (4)	29	8540728	Sleeve, Cord Support (2)			
13		Hose, Water Inlet						
	W10194208	Cold Water						
	8571378	Hot Water						
14	W10205500	Cord, Power						

FOR ORDERING INFORMATION REFER TO PARTS PRICE LIST

# DOOR AND LATCH PARTS

For Model: MHWE200XW00  
(White)

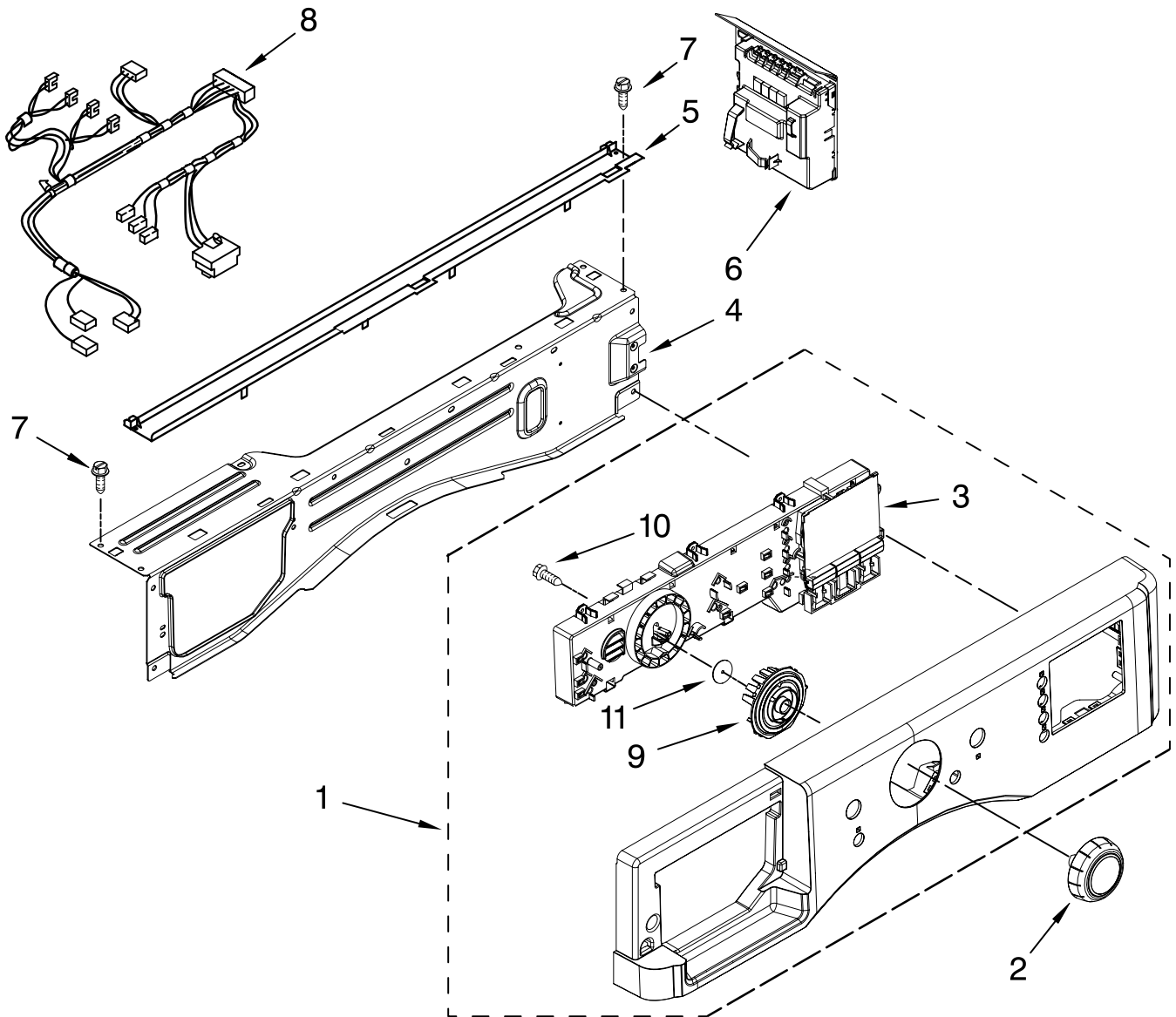


Illus. No.	Part No.	DESCRIPTION
1	W10290499	Bellow
2	8540108	Clamp, Bellow To Tub
3	W10253483	Lock, Door
4	8540725	Screw
5	8540221	Hook, Door
6	W10117475	Handle, Door (Includes Item 19)
7	W10300870	Trim Ring, Outer Door
8	W10217563	Clamp, Bellow To Front Panel
9	8540115	Clamp, Support
10	W10281267	Clamp, Glass (3)
11	8540513	Screw
12	W10119007	Frame, Door Front Assembly
13	W10205548	Glass, Door
14	W10138523	Frame, Door Back Support
15	W10118967	Hinge, Door
16	8540284	Screw
17	8540282	Screw
18	W10015090	Screw
19	W10112927	Pad, Door Handle

FOR ORDERING INFORMATION REFER TO PARTS PRICE LIST

# CONTROL PANEL PARTS

For Model: MHWE200XW00  
(White)



Illus. No.	Part No.	DESCRIPTION
1	W10212729	Console
2	W10215799	Knob, Control
3	W10212771	User Interface
4	W10240776	Brace, Top Front
5	8540839	Channel, Water

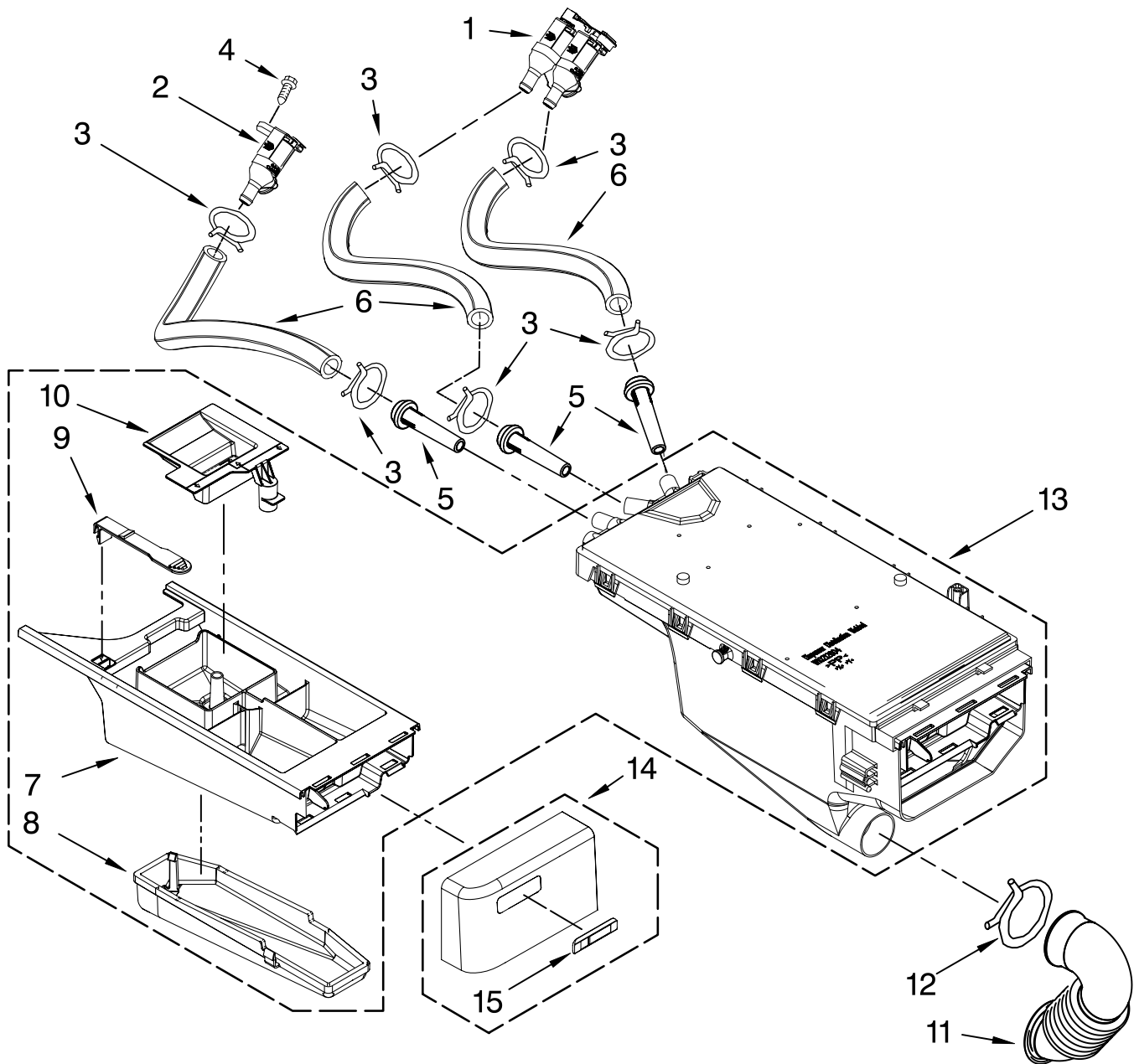
Illus. No.	Part No.	DESCRIPTION
6	W10294680	Microcomputer, Machine Control
7	W10015090	Screw, 8-18 X 5/8
8	W10269290	Harness, Wiring (Upper Main) (Includes Item 39 On Page 1)

Illus. No.	Part No.	DESCRIPTION
9	W10215797	Light Guide, Cycle
10	W10006580	Screw, M3-1.12x12
11	8572039	Seal, User Interface

FOR ORDERING INFORMATION REFER TO PARTS PRICE LIST

# DISPENSER PARTS

For Model: MHWE200XW00  
(White)



Illus. No.	Part No.	DESCRIPTION
1	W10212596	Valve, Water Inlet (Double)
2	W10212598	Valve, Water Inlet (Single)
3	370450	Clamp, Hose (6)
4	W10137456	Screw, Valve (2)
5	8183181	Nozzle, Inlet (3)

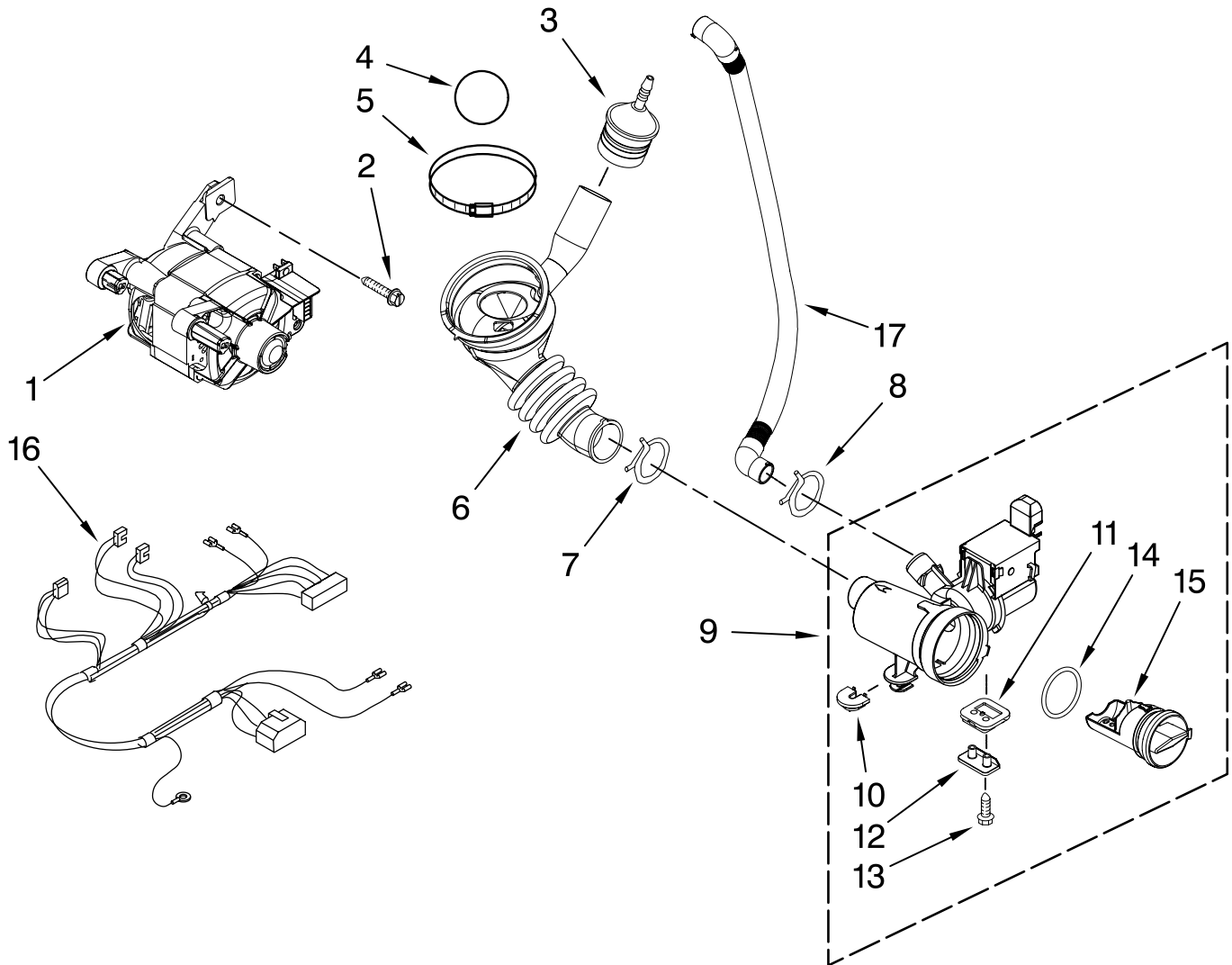
Illus. No.	Part No.	DESCRIPTION
6	W10212611	Hose, Valve To Dispenser (3)
7	8540402	Drawer, Detergent
8	8540399	Cover, Detergent Drawer
9	W10003170	Hook, Drawer
10	8540429	Siphon, Bleach/Softener

Illus. No.	Part No.	DESCRIPTION
11	8540063	Hose, Dispenser To Tub
12	8281276	Clamp, Hose
13	W10212602	Dispenser, Complete
14	W10237414	Handle, Drawer
15	W10177245	Badge Assembly

FOR ORDERING INFORMATION REFER TO PARTS PRICE LIST

# PUMP AND MOTOR PARTS

For Model: MHWE200XW00  
(White)



Illus. No.	Part No.	DESCRIPTION
1	W10171902	Motor, Drive
2	8540134	Bolt, Motor
3	8540180	Air Trap
4	8540013	Ball
5	8181734	Clamp
6	8540012	Hose, Tub to Pump
7	370448	Clamp, Hose

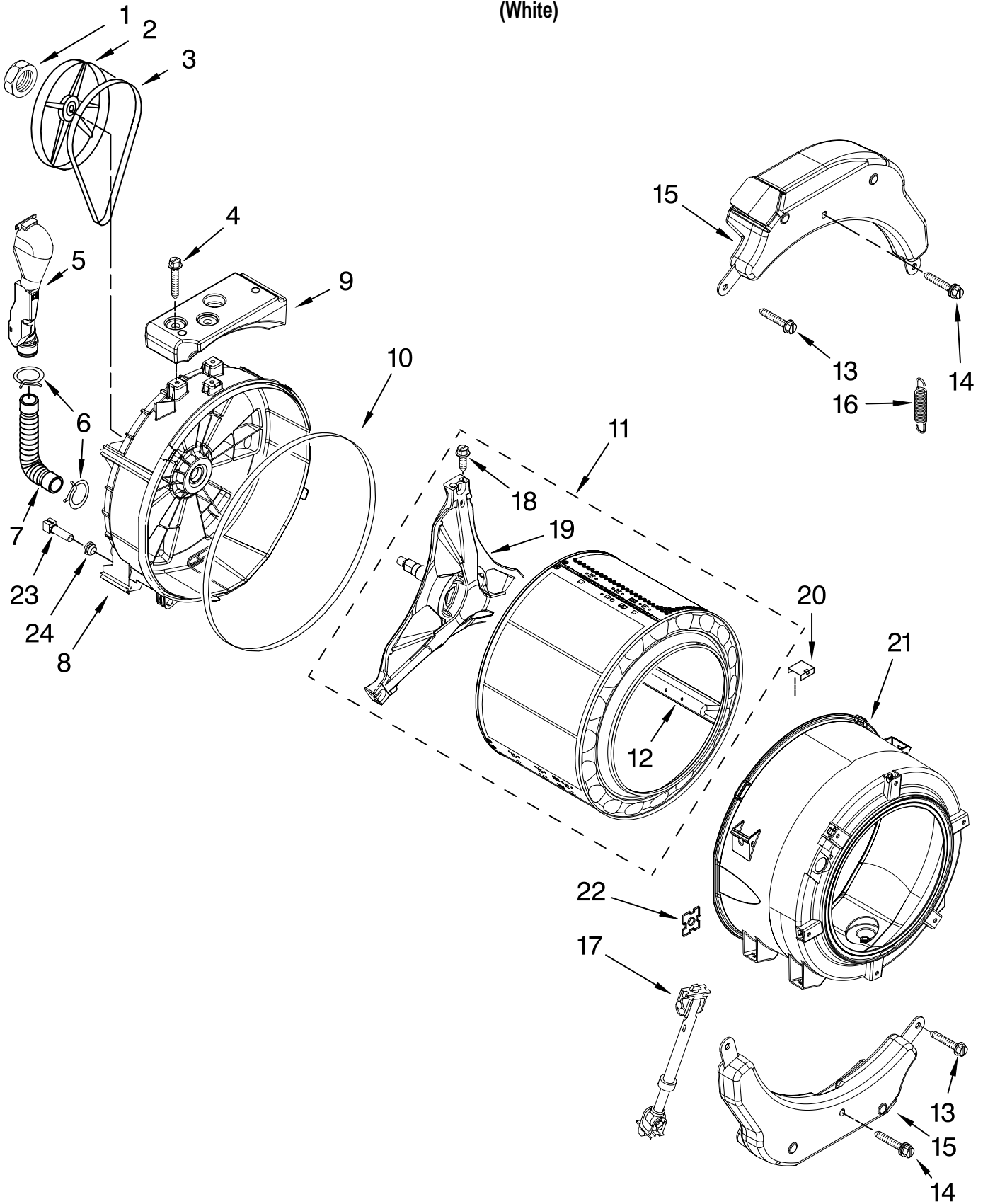
Illus. No.	Part No.	DESCRIPTION
8	W10245724	Clamp, Drain Hose
9	W10130913	Pump (Complete)
10	W10034820	Foot, Rubber (Slider)
11	W10034830	Foot, Rubber (Lock)
12	8540033	Cap, Lock Foot

Illus. No.	Part No.	DESCRIPTION
13	8533964	Screw, 10-16 x 1.25 (2)
14	8540025	Seal, Filter Cap
15	8540996	Filter Assembly (Includes Item 14)
16	W10201879	Harness, Motor
17	W10272563	Hose, Drain (Inner)

FOR ORDERING INFORMATION REFER TO PARTS PRICE LIST

# TUB AND BASKET PARTS

For Model: MHWE200XW00  
(White)



FOR ORDERING INFORMATION REFER TO PARTS PRICE LIST

# TUB AND BASKET PARTS

For Model: MHWE200XW00  
(White)

<b>Illus. No.</b>	<b>Part No.</b>	<b>DESCRIPTION</b>
1	8533999	Nut, Pulley
2	8540088C	Pulley
3	W10260319	Belt, Drive
4	W10246531	Screw, Rear Counterweight (3)
5	W10142720	Pipe, Ventilation
6	8540010	Clamp, Vent Hose
7	8540019	Hose, Exhaust
8	W10200751	Tub, Rear (Includes Items 10 & 22)
9	W10200747	Counterweight, Rear
10	8540090	Gasket, Tub
11	W10205253	Basket, Complete
12	W10112972	Baffle, Tub
13	W10094780	Bolt, Counterweight (4)
14	W10259288	Bolt Assembly, Counterweight Center Hole (2)
15	W10223198	Counterweight, Front (2)
16	W10010360	Spring, Suspension (Set of 2)
17	W10015830	Shock Absorber (3)
18	8540382	Screw
19	W10202464	Crosspiece Asm
20	8540092	Clamp, Tub
21	W10289875	Tub, Front (Includes Items 10 & 22)
22	8540072	Nut, Push-In
23	W10176659	Negative Thermistor Control
24	8540766	Seal, Rubber

FOR ORDERING INFORMATION REFER TO PARTS PRICE LIST



# OPTIONAL PARTS (NOT INCLUDED)

For Model: MHWE200XW00  
(White)

<u>Illus. No.</u>	<u>Part No.</u>	<u>DESCRIPTION</u>
-------------------	-----------------	--------------------

## PAINT, TOUCH-UP (1/2oz.)

72017 White

## PAINT, PRESSURIZED SPRAY (12 oz.)

350938 Primer, Gray  
350930 White

## PAINT, BULK (1 qt.)

799344 White (Uncut)

## ACCESSORY PARTS

8572546	Stack Kit
285863	Drain Extension
8212638RP	Inlet Hoses, 6 Ft. (Two Braided Hoses W/One Straight End & One 90 Degree End & 4 Rubber Washers)
8212487RP	Inlet Hoses, 5 Ft. (Two Braided Hoses W/Straight Ends & 4 Rubber Washers)
31682	All Purpose Appliance Cleaner
W10135699	Affresh Odor Remover
8212526	Washer Drip Tray
1903WH	Laundry Supply Storage Cart

FOR ORDERING INFORMATION REFER TO PARTS PRICE LIST