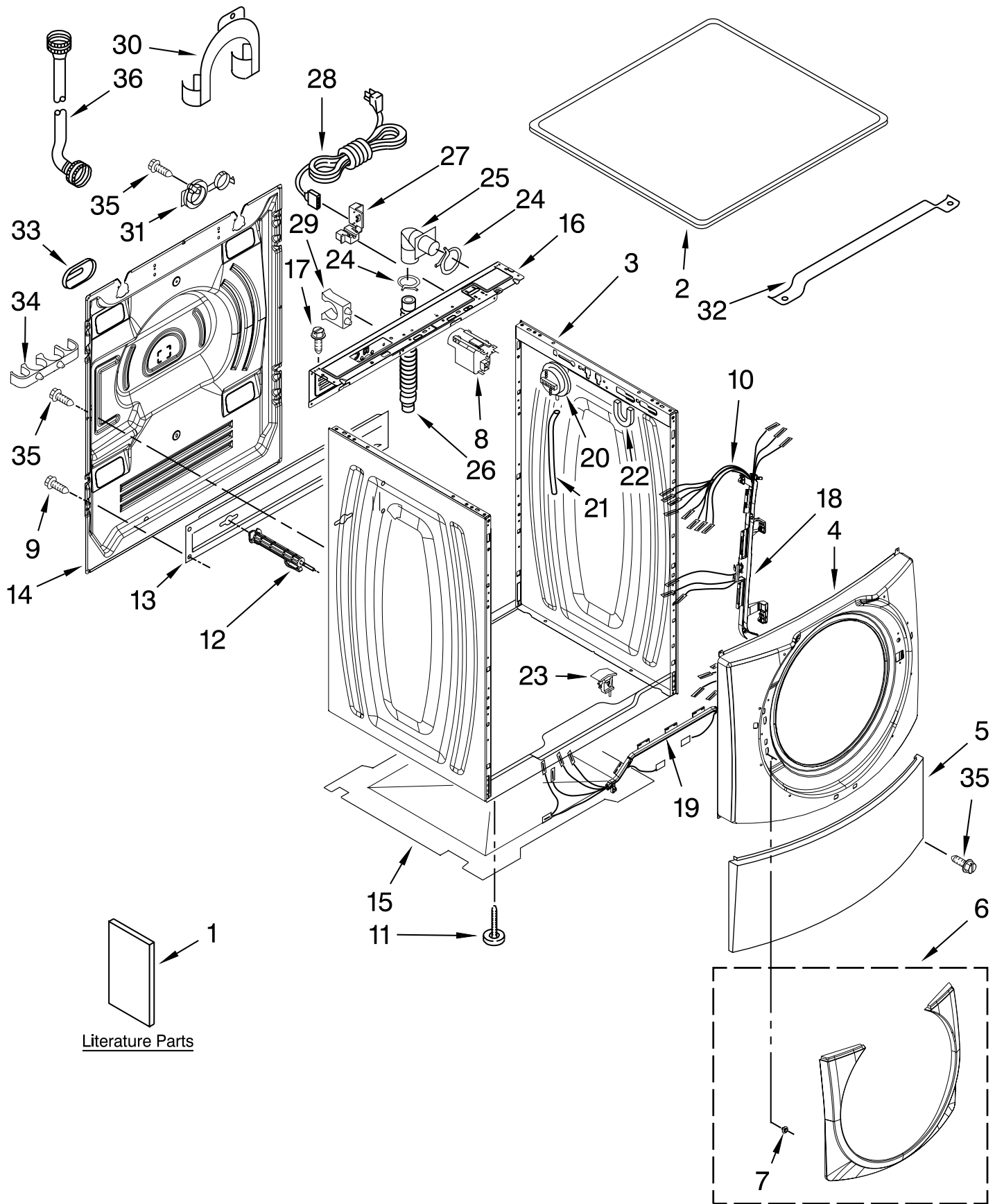


## TOP AND CABINET PARTS

For Models: MHWE450WW02, MHWE450WR02, MHWE450WJ02  
(White) (Red) (Oxide)

AUTOMATIC  
WASHER



FOR ORDERING INFORMATION REFER TO PARTS PRICE LIST

# TOP AND CABINET PARTS

For Models: MHWE450WW02, MHWE450WR02, MHWE450WJ02

(White)

(Red)

(Oxide)

Illus. No.	Part No.	DESCRIPTION	Illus. No.	Part No.	DESCRIPTION	Illus. No.	Part No.	DESCRIPTION
1		Literature Parts	6		Ring, Trim	21	8181739	Hose, Pressure Switch
	W10286177	Use & Care Guide		W10248115	White	22	8181763	Bracket, Spring
	W10250503	Tech Sheet		W10289413	Red	23	W10189678	Microswitch
	8183017	Quick Start Guide		W10289399	Oxide	24	8181752	Clamp, Hose
	W10388160	Energy Guide	7	8183210	Clip, Trim	25	8181738	Connector, Drain Hose
2		Top	8	W10326464	Filter, Interference	26	8181737	Hose, Drain (Outer)
	8181799	White	9	W10157885	Screw, 4.2 x 14	27	8181690	Strain Relief
	W10289411	Red	10	W10283494	Harness, Wiring (Lower Main)	28	8183009	Cord, Power
	W10289394	Oxide			(Includes Items 18, 19 & 23)	29	8182702	Clip, Outer Hose Holder
3		Cabinet	11	8181636	Foot, Leveling	30	8181768	Storage, Hose
	W10288155	White	12		Bolt, Shipping	31	8182699	Sleeve, Cord Support
	W10288157	Red		W10283353	Upper	32	8181632	Brace, Top
	W10288156	Oxide		W10283354	Lower	33	8182700	Cover, Transport
4		Panel, Front	13	8182661	Brace, Transport	34	8182701	Clip, Outer Hose Holder
	W10248114	White	14	W10242507	Panel, Rear	35	8181828	Screw
	W10289409	Red	15	8181635	Pan, Bottom	36		Hose, Water Inlet
	W10289392	Oxide	16	W10289389	Brace, Rear		8182795	Blue Coupler
5		Toe Panel	17	8181756	Screw		8182792	Red Coupler
	8181643	White	18	W10121609	Channel, Harness (Side)			
	W10289410	Red	19	W10121610	Channel, Harness (Bottom)			
	W10289395	Oxide	20	W10271610	Switch, Pressure			

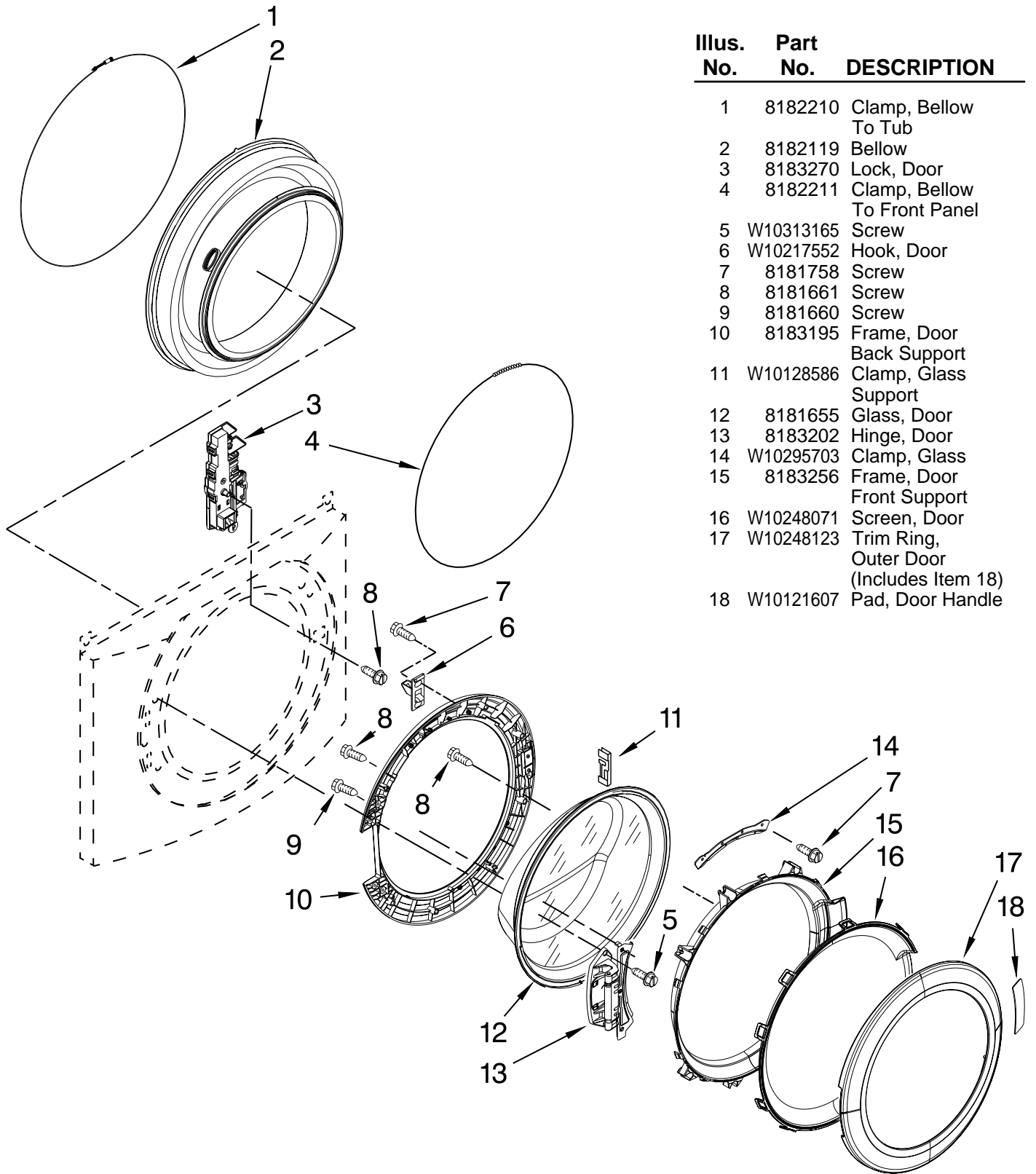
# DOOR AND LATCH PARTS

For Models: MHWE450WW02, MHWE450WR02, MHWE450WJ02

(White)

(Red)

(Oxide)



Illus. No.	Part No.	DESCRIPTION
1	8182210	Clamp, Bellow To Tub
2	8182119	Bellow
3	8183270	Lock, Door
4	8182211	Clamp, Bellow To Front Panel
5	W10313165	Screw
6	W10217552	Hook, Door
7	8181758	Screw
8	8181661	Screw
9	8181660	Screw
10	8183195	Frame, Door Back Support
11	W10128586	Clamp, Glass Support
12	8181655	Glass, Door
13	8183202	Hinge, Door
14	W10295703	Clamp, Glass
15	8183256	Frame, Door Front Support
16	W10248071	Screen, Door
17	W10248123	Trim Ring, Outer Door (Includes Item 18)
18	W10121607	Pad, Door Handle

FOR ORDERING INFORMATION REFER TO PARTS PRICE LIST

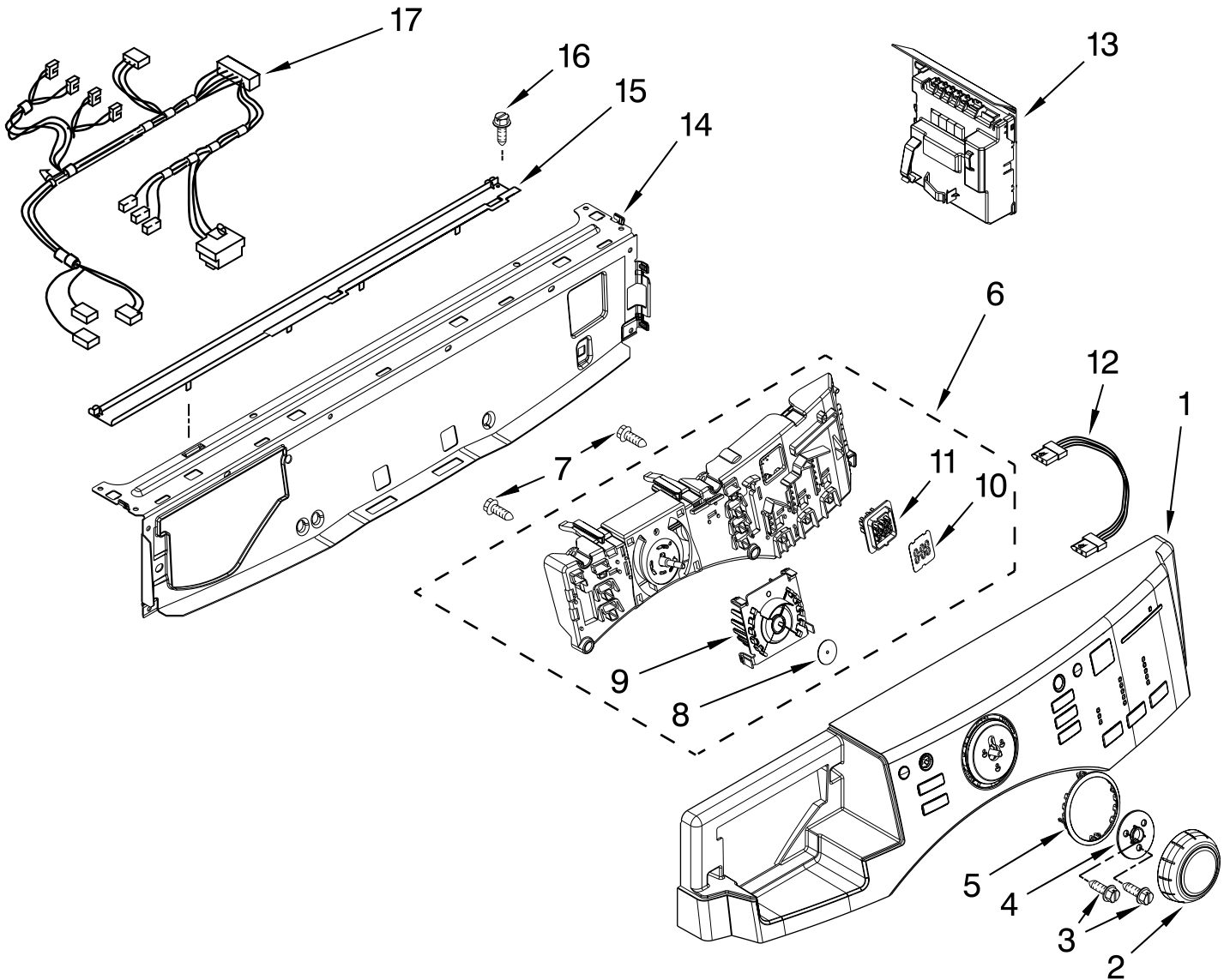
# CONTROL PANEL PARTS

For Models: MHWE450WW02, MHWE450WR02, MHWE450WJ02

(White)

(Red)

(Oxide)



Illus. No.	Part No.	DESCRIPTION
1		Panel-Control
	W10283496	White
	W10283497	Red
	W10283499	Oxide
2	W10248116	Knob, Control (Includes Item 5)
3	8181758	Screw
4	W10248117	Bushing, Knob
5	W10248122	Light Guide, Cycle

Illus. No.	Part No.	DESCRIPTION
6	W10391432	User Interface
7	8181661	Screw
8	W10248120	Seal, User Interface
9	W10248121	Light Guide- Cycle, Internal
10	W10248118	Foil-Display
11	W10248119	Light Guide- Display

Illus. No.	Part No.	DESCRIPTION
12	W10283465	Harness, Wiring (User Interface)
13	W10391042	Microcomputer, Machine Control
14	8183203	Brace, Front Top
15	8183204	Channel, Water
16	8181756	Screw
17	W10283495	Harness, Wiring (Upper Main)

FOR ORDERING INFORMATION REFER TO PARTS PRICE LIST

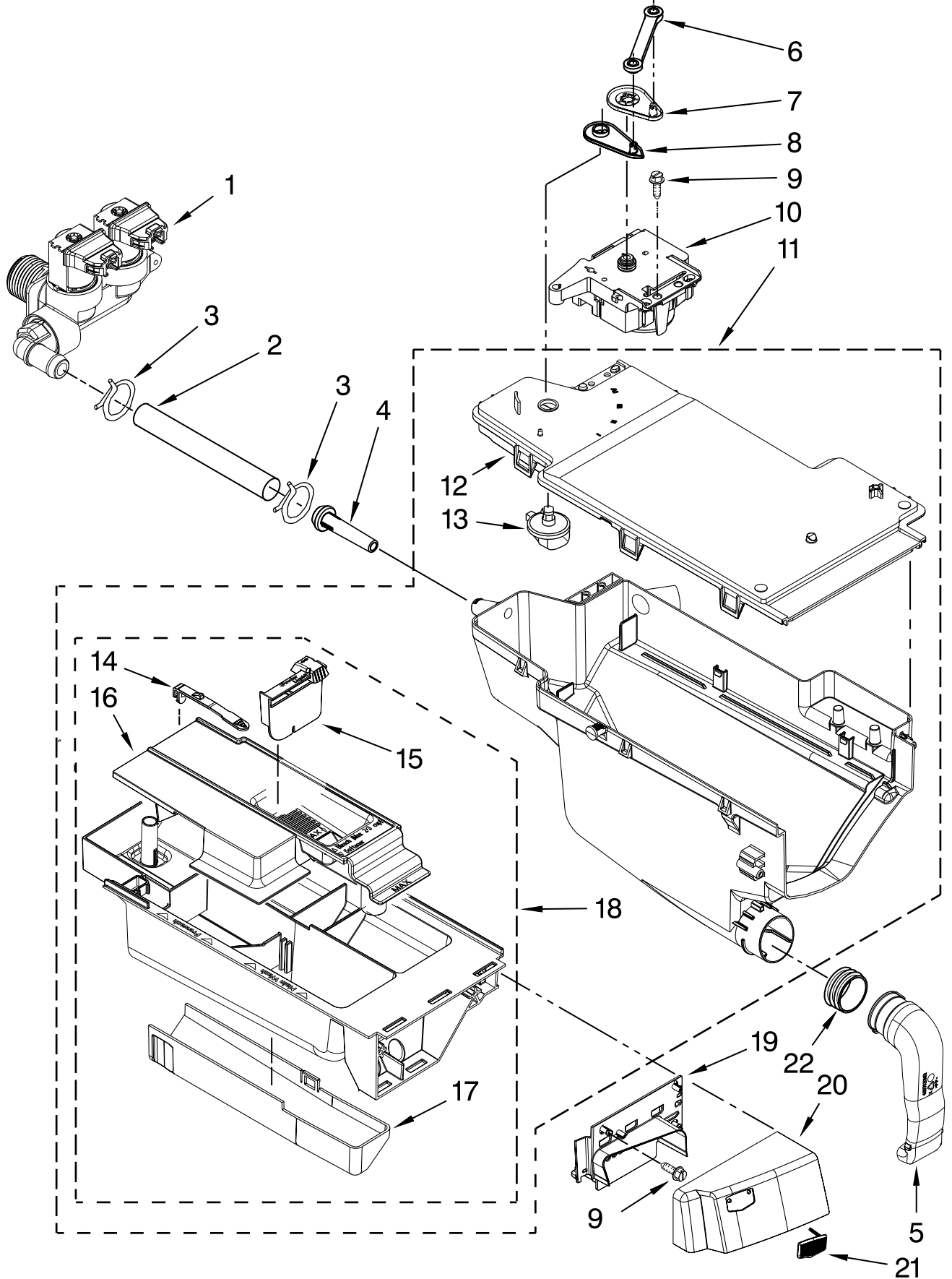
# DISPENSER PARTS

For Models: MHWE450WW02, MHWE450WR02, MHWE450WJ02

(White)

(Red)

(Oxide)



FOR ORDERING INFORMATION REFER TO PARTS PRICE LIST

# DISPENSER PARTS

For Models: MHWE450WW02, MHWE450WR02, MHWE450WJ02

(White)

(Red)

(Oxide)

Illus. No.	Part No.	DESCRIPTION
1	W10289387	Valve, Inlet
2	W10291582	Hose, Inlet Valve To Dispenser
3	8181751	Clamp, Hose
4	8183181	Nozzle, Inlet
5	8181718	Tube, Dispenser To Bellow
6	8183183	Lever, Water Distribution
7	8183184	Cam, Actuator
8	W10161052	Lever, Connection
9	8181661	Screw
10	W10352973	Actuator
11	W10157886	Dispenser, Complete (Includes Item 8)
12	W10164400	Plate, Distribution
13	8181712	Nozzle, Distribution
14	8181721	Hook, Drawer
15	W10121596	Separator, With Selection Slider
16	W10121598	Syphon, Bleach/Softener
17	8183179	Cover, Detergent Drawer
18	8183173	Drawer, Detergent (Complete)
19		Bracket, Handle Fixation
	W10248111	White
	W10289412	Red
	W10289408	Oxide
20		Handle, Drawer (Includes Items 19 & 21)
	W10283504	White
	W10283505	Red
	W10283506	Oxide
21	W10248108	Medallion
22	8181747	Seal

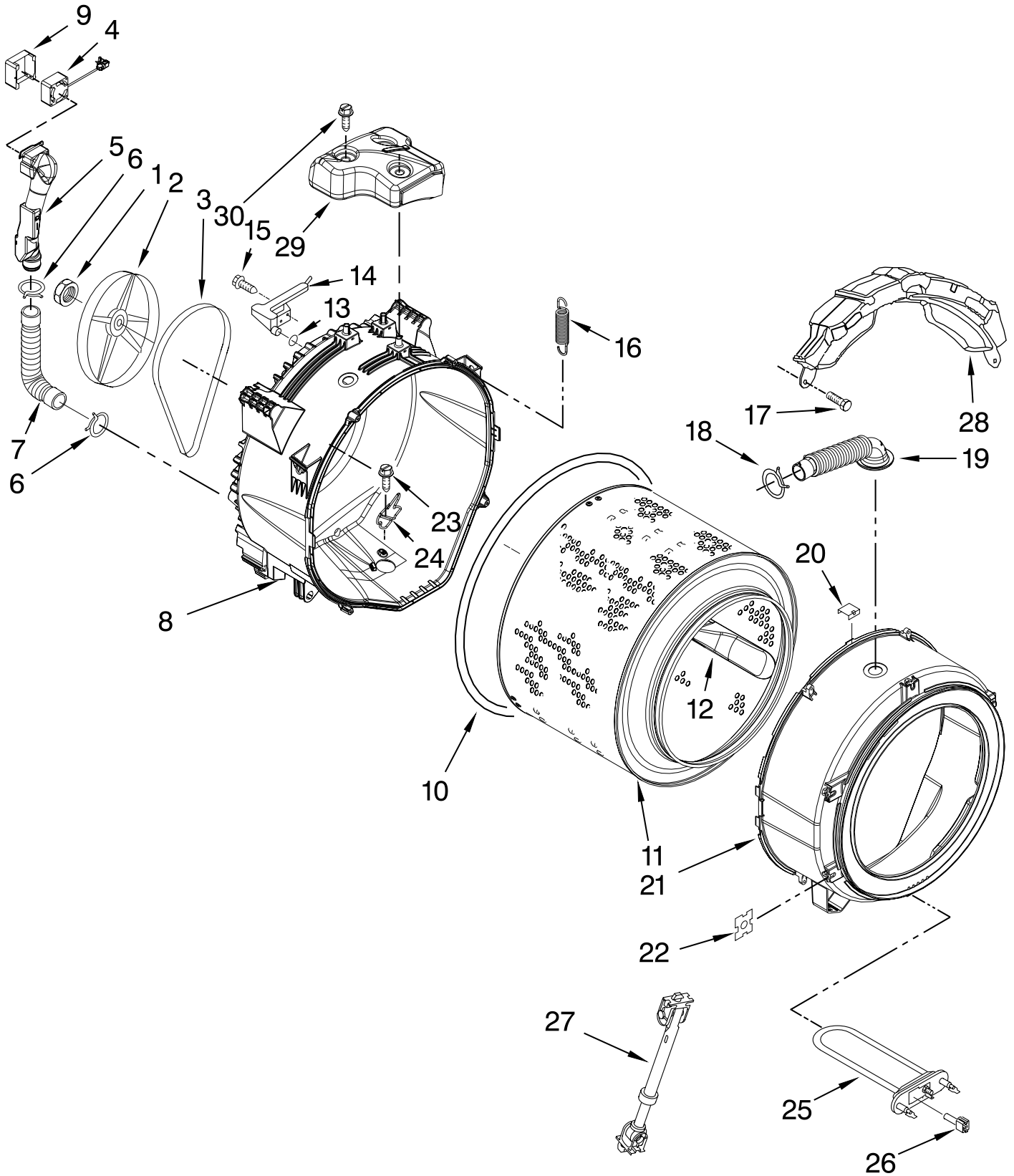
# TUB AND BASKET PARTS

For Models: MHWE450WW02, MHWE450WR02, MHWE450WJ02

(White)

(Red)

(Oxide)



FOR ORDERING INFORMATION REFER TO PARTS PRICE LIST

# TUB AND BASKET PARTS

For Models: MHWE450WW02, MHWE450WR02, MHWE450WJ02

(White)

(Red)

(Oxide)

Illus. No.	Part No.	DESCRIPTION
1	W10283361	Nut, Pulley
2	8182650	Pulley
3	W10248068	Belt
4	W10283362	Fan, Active Ventilation
5	W10283513	Pipe, Ventilation
6	W10208156	Clamp
7	8181743	Hose, Exhaust
8	W10283358	Tub, Rear (Includes Items 10, 22, 23 & 24)
9	W10283366	Support, Ventilation Fan
10	8181673	Gasket, Tub
11	W10283352	Basket
12	W10283356	Baffle, Tub
13	W10250553	O-Ring
14	8181731	Airtrap
15	8181785	Screw
16	8182814	Spring, Suspension (Set Of 2)
17	8181647	Bolt, Front Counterweight
18	8181742	Clamp, Hose
19	8183187	Hose, Exhaust
20	8181667	Clamp, Tub
21	8182312	Tub, Front (Includes Items 10 & 22)
22	8182512	Nut, Push-In
23	8182214	Screw
24	W10250572	Bracket, Heater Support
25	8182666	Element, Heating
26	8181705	NTC
27	8182812	Shock Absorber
28	W10326457	Counterweight, Front
29	W10326456	Counterweight, Rear
30	W10283359	Screw, Rear Counterweight



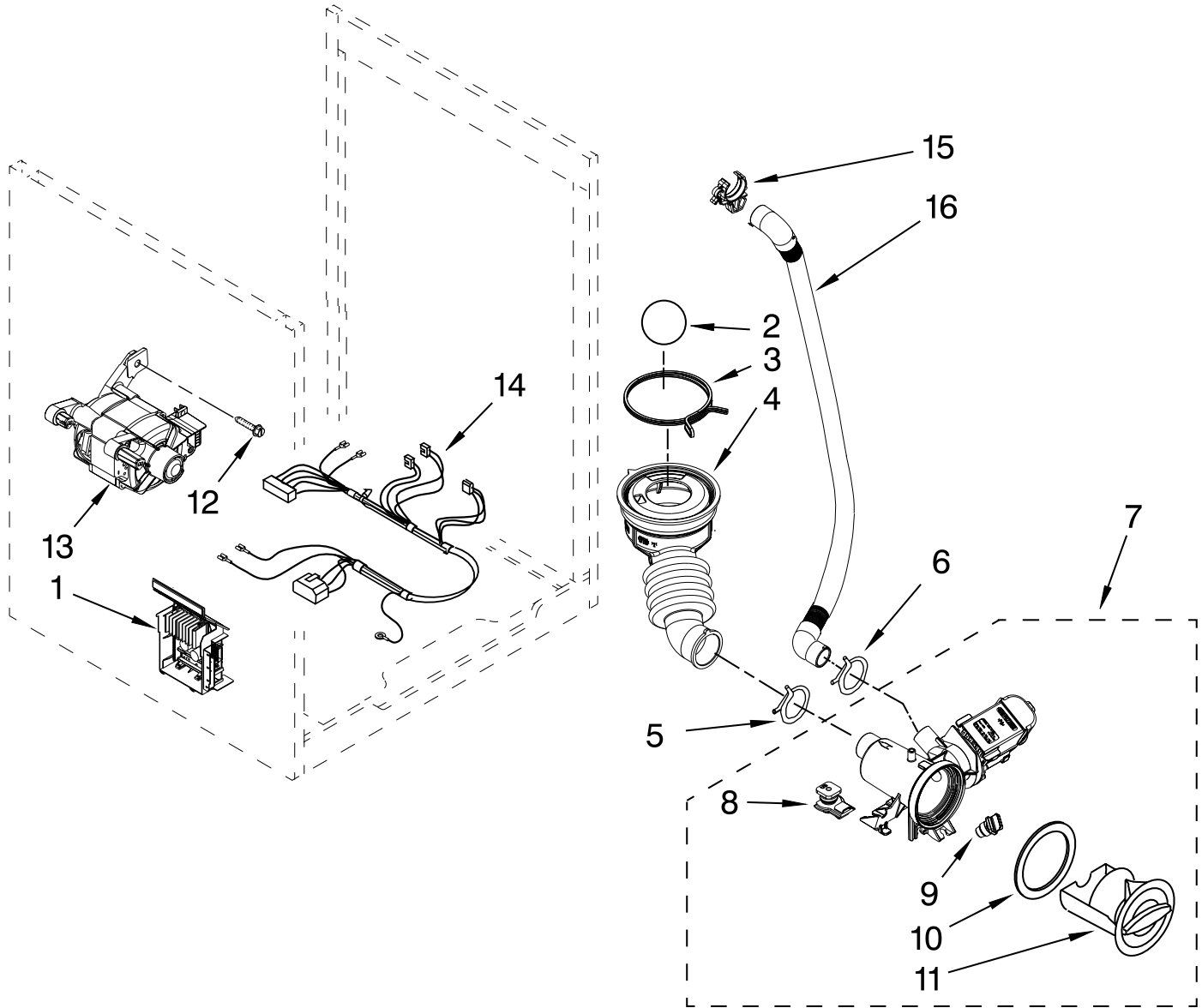
# PUMP AND MOTOR PARTS

For Models: MHWE450WW02, MHWE450WR02, MHWE450WJ02

(White)

(Red)

(Oxide)



Illus. No.	Part No.	DESCRIPTION
1	8183196	Motor Control Unit
2	W10121657	Ball
3	8181734	Clamp
4	8181732	Hose, Tub to Pump
5	8181753	Clamp
6	8181752	Clamp
7	8182821	Pump (Complete)

Illus. No.	Part No.	DESCRIPTION
8	W10338326	Grommet, Damper (Rear)
9	8182816	Grommet, Damper (Front)
10	8181736	Seal, Filter Cap
11	8183027	Cap, Filter (Includes Item 10)
12	W10128585	Bolt, Motor

Illus. No.	Part No.	DESCRIPTION
13	8182793	Motor
14	W10189680	Harness, Motor (Includes Item 23 On Page 1)
15	8182209	Retainer, Drain Hose
16	8181740	Drain Hose (Inner)

FOR ORDERING INFORMATION REFER TO PARTS PRICE LIST

# OPTIONAL PARTS (NOT INCLUDED)

For Models: MHWE450WW02, MHWE450WR02, MHWE450WJ02

(White)

(Red)

(Oxide)

<b>Illus.</b>	<b>Part</b>	
<b>No.</b>	<b>No.</b>	<b>DESCRIPTION</b>

## PAINT, TOUCH-UP (1/2oz.)

72017 White  
W10218245 Red  
W10202939 Oxide

## PAINT, PRESSURIZED SPRAY (12 oz.)

350938 Primer, Gray  
350930 White

## PAINT, BULK (1 qt.)

799344 White (Uncut)

## ACCESSORY PARTS

76314 Fill Hose, 6 Foot  
350008 Fill Hose, 10 Foot  
285863 Drain Extension  
4396899 Rear Guard  
8212640 Stack Kit  
W10135699 Affresh  
Odor Remover